

EAGLE TUGS



PARTS & SERVICE MANUAL



Vehicle Types: TT-4, TT-5, TT-6, & TT-8

Engine Type: Chrysler 2.5L 4 Cylinder Engine Model

INTRODUCTION

From everyone at Eagle Tugs, we would like to say Thank You for purchasing an Eagle TT-series tow tractor. We take a lot of pride in the quality of the products that we build, as well as our continued customer service. Our goal is to build a long term relationship with our customers. We want you, the customer, to be 100% satisfied with your Eagle experience. To us, this means that your Eagle TT-series tractor is functionally superior to any other products you have used. This also means that your Eagle product is continually supported in a professional, timely manner.

PURPOSE & USE OF THIS MANUAL

This manual is designed as a reference guide to make the reader more familiar with the components of the Eagle TT-4, TT-5, TT-6, and TT-8 tow tractor models. This manual includes part numbers and descriptions to assist the reader in ordering component spare/service parts. The manual also outlines the Scheduled Maintenance Intervals recommended by Eagle in order to keep your vehicle running properly. In this manual you will also find the Eagle Standard Warranty on all of the TT-series tow tractors. However, for more detailed information on the Eagle Warranty and procedure, as well as information pertaining to the safe operation of your Eagle product, please see the Eagle Operations Manual that was also included with your vehicle.

TECHNICAL ASSISTANCE

When addressing a repair procedure or operational problem, please remember that Eagle technical support is only a phone call away. Eagle technicians are available to assist you in vehicle diagnostics and recommended repair procedures. We encourage you to use this service to reduce machine down-time and to gain a better understanding of proper repair procedures.

ORDERING SPARE/SERVICE PARTS

Eagle inventories most of the component parts found in its TT-series tow tractors, and most spare/service parts can be shipped the same day the order is received. Parts orders need to be received at Eagle by 12:00 pm (Noon) EST in order for the parts to be shipped that same day. Parts ordered after 12:00 pm EST will most likely be shipped the following day.

CONTACT INFORMATION

Eagle Corporate Office

26111 Northline Rd

Taylor, MI 48180

(800) 671-0431

www.eagletugs.com

Customer Service

customerservice@eagletugs.com

(734) 442-1000 -- (800) 671-0431

Parts & Service

parts@eagletugs.com

(734) 442-1000 -- (800) 671-0431

Technical Support

support@eagletugs.com

(734) 442-1000 -- (800) 671-0431

TABLE OF CONTENTS

INTRODUCTION.....	3
PURPOSE & USE OF THIS MANUAL.....	3
TECHNICAL ASSISTANCE.....	3
ORDERING SPARE/SERVICE PARTS	3
CONTACT INFORMATION.....	3
TABLE OF CONTENTS.....	4
WARRANTY.....	6
VEHICLE ID INFORMATION	6
WARRANTY INFORMATION.....	7
SAFETY INFORMATION	8
SERVICE PARTS ILLUSTRATIONS & DETAIL.....	9
IDENTIFICATION KEY.....	9
POWER TRAIN.....	10
Engine Dress.....	10
Engine Mounts	12
Engine Oil	14
Cylinder Head.....	16
Cylinder Block.....	18
Crankshaft Piston & Torque Converter	20
Camshaft & Valves	22
Timing Belt, Covers & Intermediate Shaft.....	24
Manifolds, Intake & Exhaust	26
Drive Pulleys	27
Crankcase Ventilation	28
Distributor Spark Plugs & Cables	29
Carburetor	30
Belt-Drive	31
Starter	32
Alternator	33
Power Steering Pump.....	34
Water Pump	35
COOLING SYSTEM.....	36
Cooling System.....	36
DRIVELINE	38
Drive Shaft Assembly—Front	38
Drive Shaft Assembly—Rear.....	39
STEERING SYSTEM	40
Steering System	40
TRANSMISSION	43
Cooling System—Transmission.....	43
Transaxle Mounting & Misc. Parts	44
Transaxle Case Extension & Retainer	46
AXLES	48
Axle Assembly—Front Non-Drive (2WD)	48

TABLE OF CONTENTS

Axle Assembly—Front Drive ALL Wheel Drive	49
Axle Assembly—Rear.....	50
Axle Torque Specifications	51
Axle Assembly Breakdown—Front Non-Drive (2WD)	52
Axle Assembly Breakdown—Front Drive ALL Wheel Drive.....	54
Axle Assembly Breakdown — Rear Drive	58
BRAKES	62
Parking Brake Actuator Assembly	62
Rear Drum Brake Assembly	64
Brake Actuator Assembly	66
Hydraulic Actuation System	68
Brake System Hydraulic.....	70
FUEL SYSTEM	72
Fuel System Gasoline.....	72
Fuel System LP	74
EXHAUST SYSTEM	76
OPERATOR COMPARTMENT	78
Accelerator Pedal	78
Transmission Control	79
Instrument Panel.....	80
ELECTRICAL SYSTEM	83
Electrical Panel	83
Electrical Schematics.....	84
Ignition Module Wiring	87
Shutdown Module Wiring.....	88
Cab Option Wiring.....	89
Headlight, Taillight & Spotlight.....	91
AIR CLEANER ASSEMBLY	92
OTHER ASSEMBLIES	94
Body Assembly.....	94
Seat & Safety Light Options.....	95
Exhaust Assembly.....	89
Exhaust Assembly—Detail	90
WHEELS & TIRES	94
Wheel & Tires Standard	96
Wheel & Tire Dual Rear Wheels	97
OPTIONS	98
Cab Option.....	98
Cab Heater	100
Hitch Options	101
MAINTINANCE	102
Scheduled Maintenance	102
Lubrication Chart (2WD)	103
Lubrication Chart ALL Wheel Drive.....	104
Tips For Increased All Weather Traction During Aircraft Pushback.....	105
Front End Alignment Procedure.....	106

WARRANTY

VEHICLE ID INFORMATION

This information can be found on the tractor's I.D. Plate located on the firewall next to the driver's seat. Additionally, there is a permanent serial number located on the rear bulkhead inside the engine compartment.

MODEL

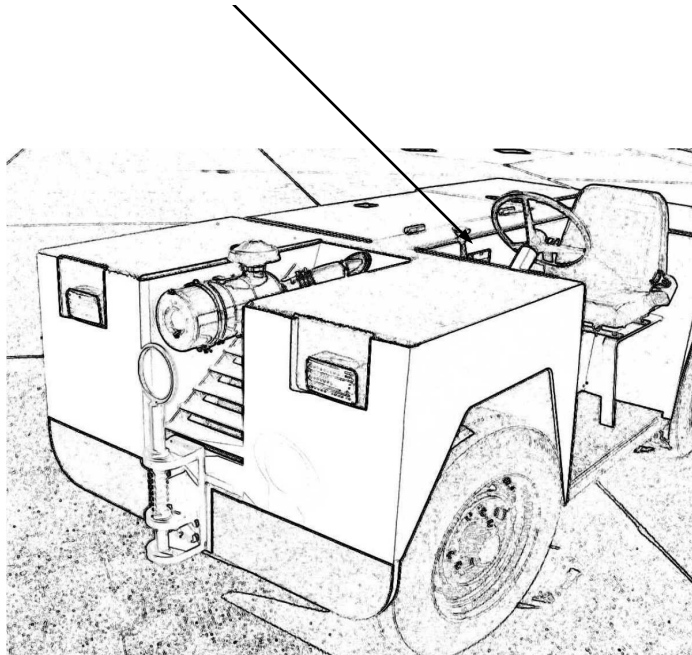
SERIAL #

MFG DATE

ENGINE TYPE

ENGINE SERIAL #

CHRYSLER 2.5L DISTRIBUTOR #



EAGLE STANDARD WARRANTY

Standard Limited Warranty Information*

The Eagle Tugs (EAGLE) Standard Warranty covers all MTT, RTT-series and Transit Pro tow tractors, as well as all Eagle tow tractor models used in industrial applications. Eagle Tugs warrants that these tractors will be free from defects in material and workmanship for a period of 1 year or 2,000 operating hours, with the exception of the electrical system (see electrical component warranty below), from date of delivery to the first customer (or first use), whichever comes first. Written notice of any claimed defect must be given to Eagle within the warranty period and within thirty (30) days after such defect is discovered. Liability under this warranty is limited to either replacing or repairing, at Eagle's election, any part or parts deemed defective after examination by Eagle or an Authorized Service Representative. Any Eagle tractor or any of its parts returned by the customer to Eagle or an Authorized Service Representative via prepaid transportation, and which is found to be defective, will be repaired or replaced and returned to the customer prepaid. On the other hand, should a part be found not defective, inspection and handling charges may be charged to the customer or Authorized Service Representative by Eagle.

Electrical Component Warranty: Electrical components including but not limited to display, starters, alternators and electric fans shall be covered under the respective original manufacturers warranty for each individual component. Copies of the respective warranties are available upon request.

This warranty does not extend to the tires, batteries, and battery chargers as these are warranted directly to the user by their respective manufacturer and not by Eagle or an Authorized Service Representative.

This warranty does not apply to any Eagle tow tractor, or component part(s) that have been subjected to misuse, accident, vandalism, environmental conditions, improper handling or application, maintenance neglect, including lack of lubricants or fluids; nor does it extend to the Eagle tow tractor and/or parts which have been repaired or altered outside of Eagle's plant or the facility of an Authorized Service Representative without the permission of Eagle.

This warranty does not apply to routine maintenance or wearable parts of the Eagle tow tractor such as filters, seals, plugs, hoses, belts, brake pads or shoes, light bulbs, fuses or similar items. Moreover, this warranty does not extend beyond its original term for any Eagle tow tractor or part replaced or repaired under warranty.

This warranty does not cover or provide credit for the following: tractor rental or other substitute equipment; lodging; loss of time, income, sales or profits; loss of the use of tractor; telephone calls or communication expense; lift truck; storage fees; injury or death to persons or damage or destruction of property; or consequential, incidental or punitive damages.

Labor Allowance: A labor allowance may be issued upon request at Eagle's discretion. Allowable labor hours and a per hour labor rate will be determined by Eagle according to reasonable automotive standards.

Warranty Claim Procedure: When a warranty situation arises, it is essential that the customer contact Eagle's Warranty Department at +1 734-442-1000. The customer will need to provide Eagle with the tow tractor serial number and engine hours. A customer service representative will analyze the problem and determine the next steps. In many cases Eagle's technical support personnel will be able to analyze the problem and recommend adjustments that will solve the problem and reduce down time. If further service is required, an Eagle customer service representative will work with customer personnel to arrange a service provider and/or parts be sent to your facility for the repair as quickly as possible.

EXCEPT AS SET FORTH ABOVE, ALL WARRANTIES, CONDITIONS, REPRESENTATIONS, INDEMNITIES AND GUARANTEES, EXPRESS OR IMPLIED, WHETHER ARISING BY STATUTE, CUSTOM OF TRADE OR UNDER ORAL OR WRITTEN STATEMENTS MADE BY OR ON BEHALF OF EAGLE NEGOTIATIONS WITH CUSTOMER, DISTRIBUTOR, DEALER OR ANY REPRESENTATIVE, ARE HEREBY OVERWRITTEN AND EXCLUDED, AND NO LIABILITY SHALL ATTACH TO EAGLE, EITHER IN CONTRACT OR IN TORT, OR STRICT LIABILITY IN TORT, FOR ANY DAMAGE TO PROPERTY, LOSS OF PROFITS, DAMAGES, COSTS, CHARGES, LIABILITY OR EXPENSES, WHETHER DIRECT OR INDIRECT, CONSEQUENTIAL OR OTHERWISE, WHICH ARISE OUT OF OR IN CONNECTION WITH THE SALE OR USE OF ANY EAGLE MACHINE OR THE SUPPLY OF SERVICES.

SUBJECT TO CHANGE WITHOUT NOTICE

Please check our website www.eagletugs.com periodically for service bulletins and manual updates.

*Note - The Eagle Tugs **3-Year Warranty** covers TT-series, eTT-series, XL-series, eXL-series and USATS tow tractors which are used in aviation applications. All MTT and RTT-series, and Transit Pro models, as well as all Eagle tow tractor models which are used in industrial applications, are covered under the Eagle Standard Warranty of 1 Year or 2,000 hours. Eagle Bob Tails are covered under Ford Motor Company's Standard Warranty for each respective Ford truck model.

SAFETY INFORMATION

IMPORTANT SAFETY NOTICE

Appropriate service methods and proper repair procedures are essential for the safe, reliable operation of all industrial engines as well as the personal safety of the individual performing the work. This Service Manual provides general directions for accomplishing service and repair work with tested and effective techniques. Following them will help assure reliability.

There are numerous variations in procedures, techniques, tools and parts for servicing equipment, as well as in the skill of the individual doing the work. This Manual cannot possibly anticipate all such variations and provide advice or cautions as to each. Accordingly, anyone who departs from the instructions provided in this Manual must first establish he compromises his/her personal safety, and/or the equipment integrity by his/her choice of methods,

WARNINGS

The following list contains some general WARNINGS that you should follow when you work on equipment:

- Always wear safety glasses for eye protection.
- Use safety stands whenever a procedure requires you to be under the equipment.
- Be sure that the ignitions switch is always in the OFF position, unless otherwise required by the procedure.
- Set the parking brake (if equipped) when working on the equipment. Place wood blocks (4" x 4" or larger) to the front and rear surfaces of the tires to provide further restraint from inadvertent equipment movement.
- Operate the engine only in a well-ventilated area to avoid the danger of carbon monoxide.
- Keep yourself and your clothing away from moving parts when the engine is running, especially the fan and belts.
- To prevent serious burns, avoid contact with hot metal parts such as the radiator, exhaust manifold, tail pipe, catalytic converter and muffler.
- Do not smoke while working on the equipment.
- To avoid injury, always remove rings, watches, loose hanging jewelry, and loose clothing before beginning to work on the equipment. Tie long hair securely behind the head.

SERVICE PARTS ILLUSTRATIONS & DETAIL

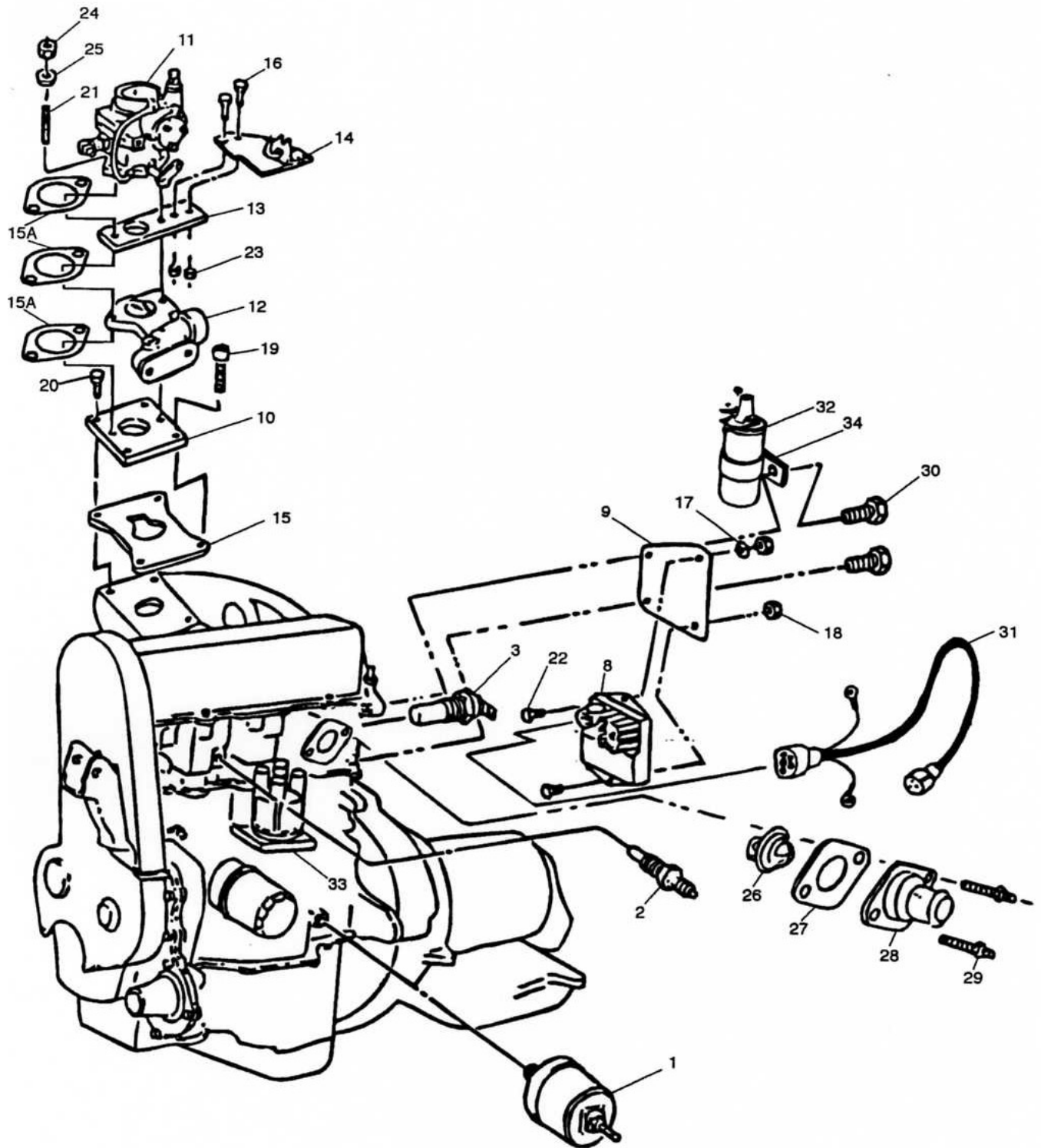
IDENTIFICATION KEY

The following abbreviations are used throughout the parts lists in this section.

Abbreviation	Meaning	Purpose
NS	Not Listed	Part required but not shown on diagram
NPN	No Part Number	Parts shown and numbered, but not stocked and sold by Eagle. Typically used for bolts, clamps, etc...

POWER TRAIN

ENGINE DRESS



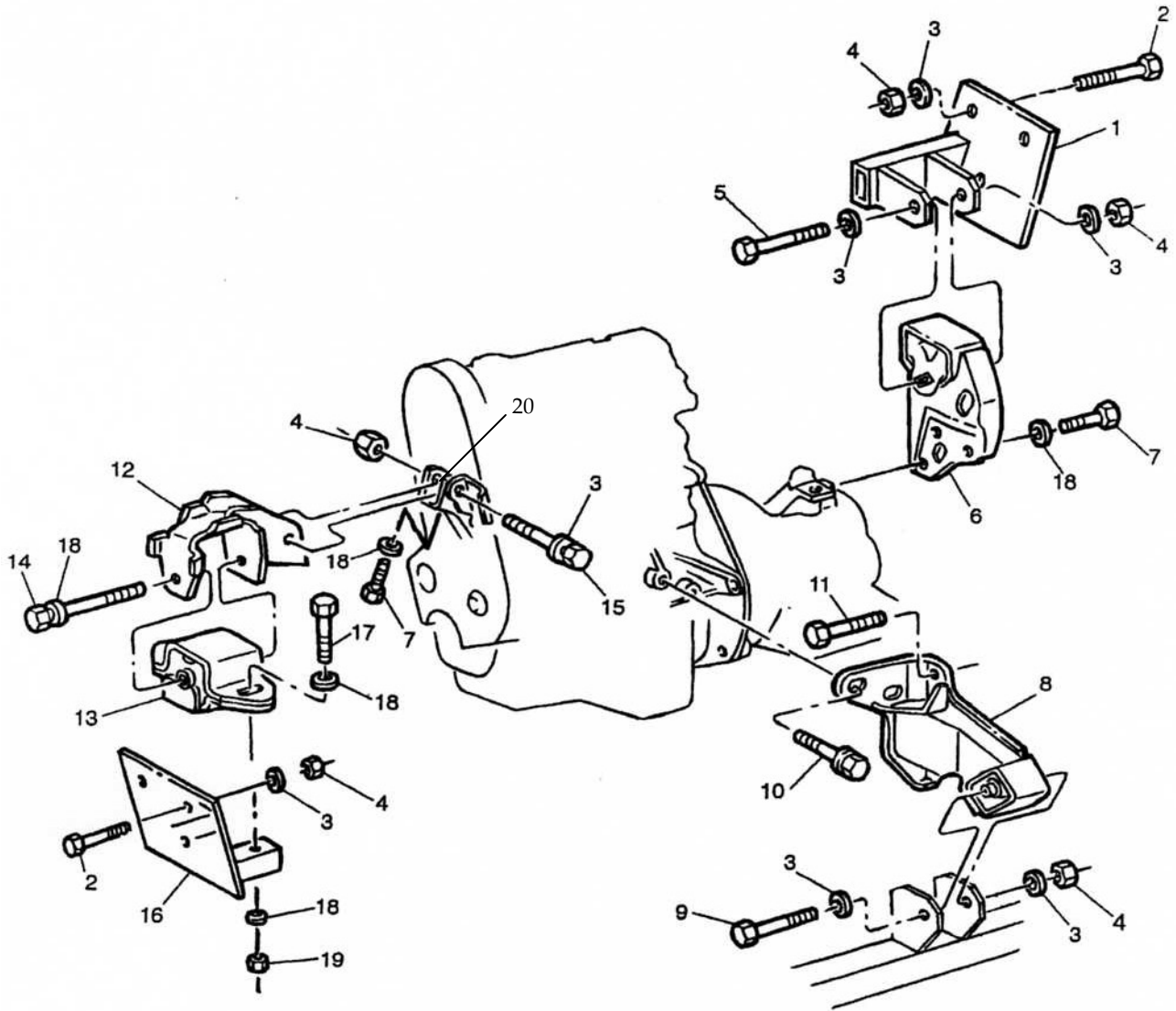
POWER TRAIN

ENGINE DRESS

Item	Part Number	Qty	Description
1	A-TT4-00651	1	OIL PRESSURE SENDING UNIT
2	A-TT4-00652	1	WATER TEMPERATURE SENDING UNIT
3	A-TT4-00653	1	FAN SWITCH
8	A-TT4-00304	1	IGNITION MODULE
9	A-TT6-00012-1	1	BRACKET-IGNITION MODULE
10	A-TT6-00011-2	1	ADAPTER PLATE CARBURETOR
11	A-TT5-00012	1	CARBURETOR
12	A-TT5-00710	1	GOVERNOR
13	B-TT5-00708	1	SPACE PLATE-CARBURETOR
14	B-TT5-00709-1	1	ACCELERATOR CABLE MTG. BRACKET
15	4324411	1	CARBURETOR GASKET
15A	1001	3	GASKET
16	NPN	2	SCREW-HEX CAP-1/4-20 X 3/4
17	NPN	1	WASHER-FLAT-1/4
18	NPN	2	NUT-1/4-20
19	NPN	1	SCREW-HEX HEAD-M8-1 1/4 X 20
20	NPN	3	SCREW-HEX CAP-M8-1 1/4 X 40
21	NPN	2	STUD-5/16-18 X 2 1/4
22	NPN	2	SCREW-HEX CAP-1/4-20 X 3/4
23	NPN	2	NUT-LOCK-1/4-20
24	NPN	2	NUT-5/16-18
25	NPN	2	WASHER-FLAT-5/16
26	31078	1	THERMOSTAT
27	4179895	1	GASKET
28	5281063	1	CONNECTOR-CYLINDER WATER OUTLET
29	6500559	2	STUD & WASHER
30	NPN	2	SCREW-HEX CAP-M10 - 1 1/2 X 30
31	4417478	1	HARNESS WIRE-IGN MODULE TO DISTR
32	4176009	1	IGNITION COIL
33	5226575	1	DISTRIBUTOR (IGNITION CAP & ROTOR
34	5227251	1	COIL MOUNTING BRACKET

POWER TRAIN

ENGINE MOUNTS



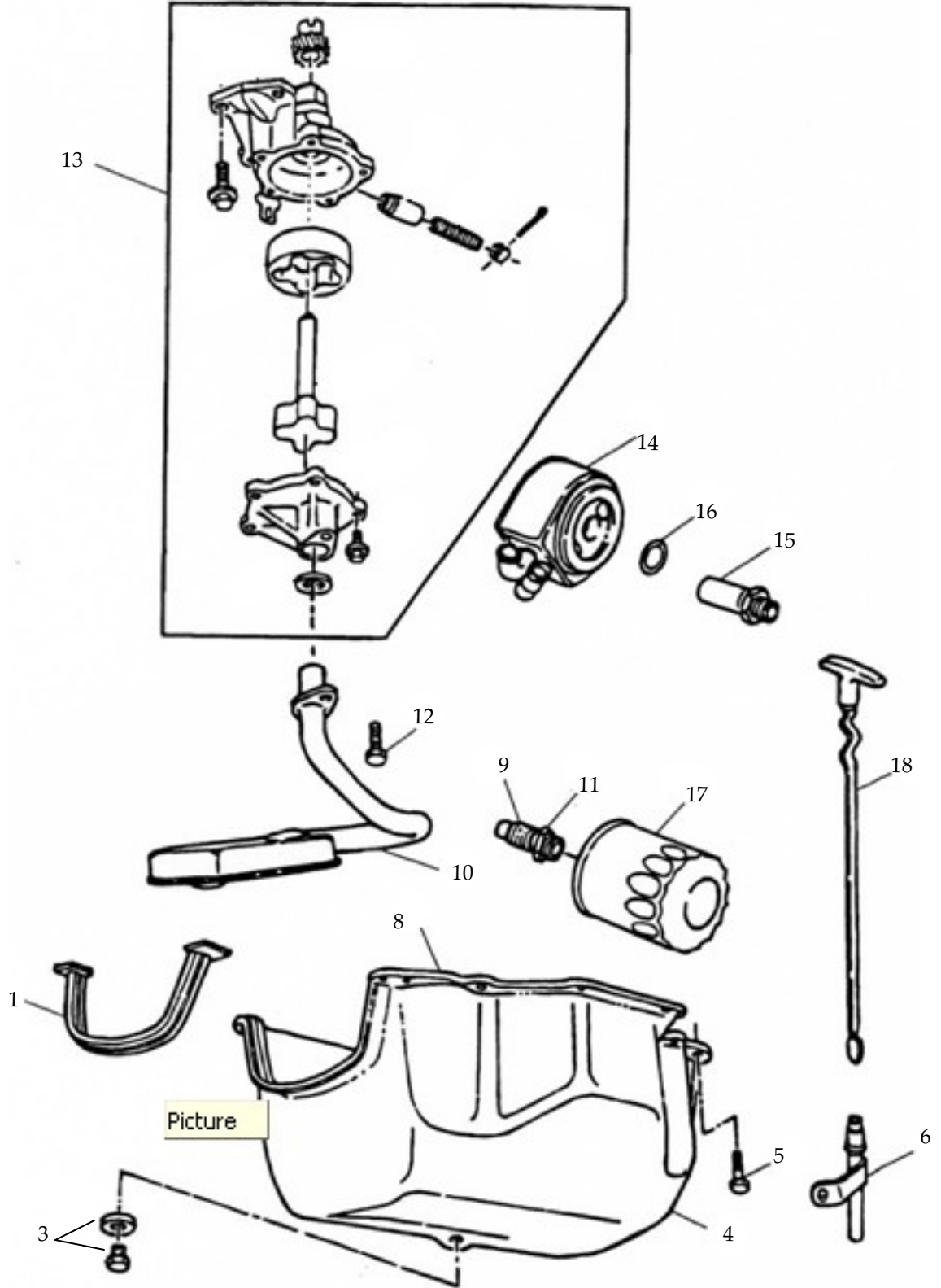
POWER TRAIN

ENGINE MOUNTS

Item	Part Number	Qty	Description
1	B-TT4-00052-1	1	FIRE WALL MOUNT
2	NPN	6	SCREW-HEX CAP-1/2-13 X 1 1/2
3	NPN	9	WASHER-FLAT-1/2
4	NPN	9	NUT-LOCK-1/2-13
5	NPN	1	SCREW-HEX CAP-1/2-13 X 4
6	B-TT4-00051-1	1	MOUNT-TRANSMISSION
7	NPN	4	SCREW-HEX CAP-M10-1.5 X 35
8	A-TT4-00067	1	ENGINE SUPPORT SIDE
9	NPN	1	SCREW-HEX CAP-1/2-13 X 4 1/2 GR5
10	NPN	2	SCREW-HEX CAP-M12-1.75 X 28
11	NPN	2	SCREW-HEX CAP-M12-1.75 X 60
12	A-TT4-00068	1	ENGINE SUPPORT
13	A-TT4-00069	1	INSULATOR
14	NPN	1	SCREW-HEX CAP-M10-1.5 X 90
15	NPN	1	SCREW-HEX CAP-1/2-13 X 2 1/2
16	A-TT5-00065-1	1	FIRE WALL MOUNT REAR
17	NPN	2	SCREW-HEX CAP-3/8-16 X 2 1/2 GR5
18	NPN	7	WASHER-FLAT-3/8
19	NPN	2	NUT-LOCK-3/8-16
20	5252351	1	ENGINE MOUNT BRACKET

POWER TRAIN

ENGINE OIL



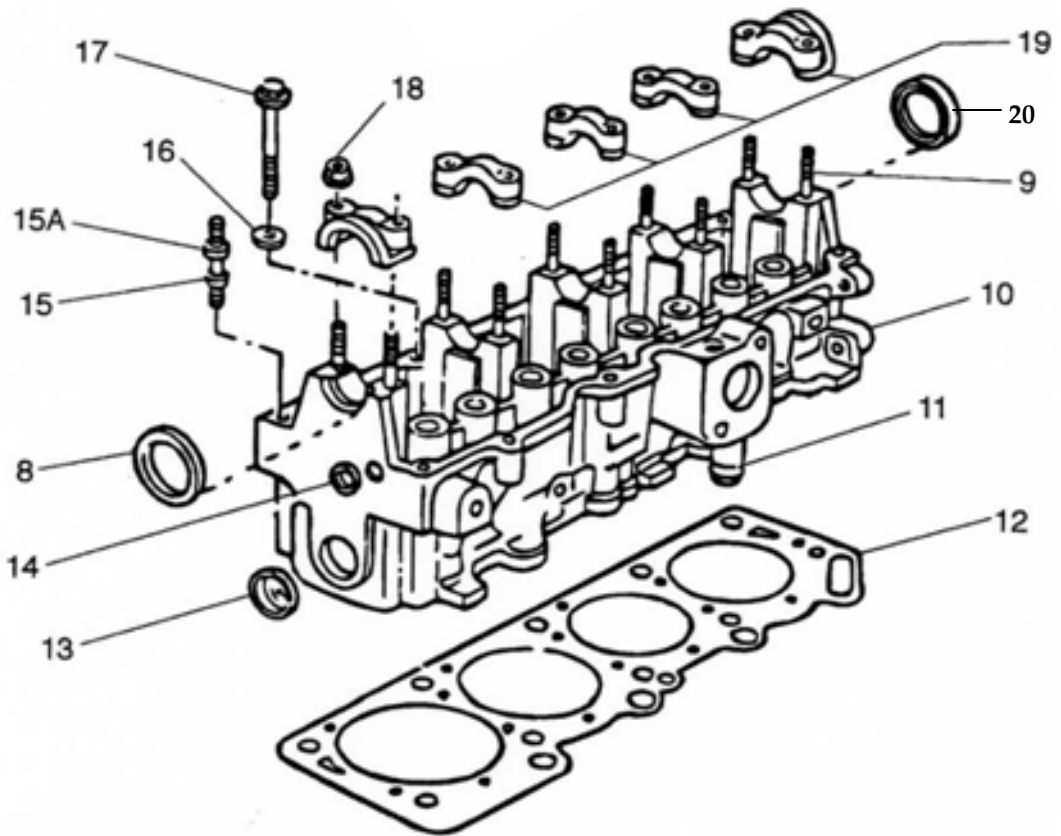
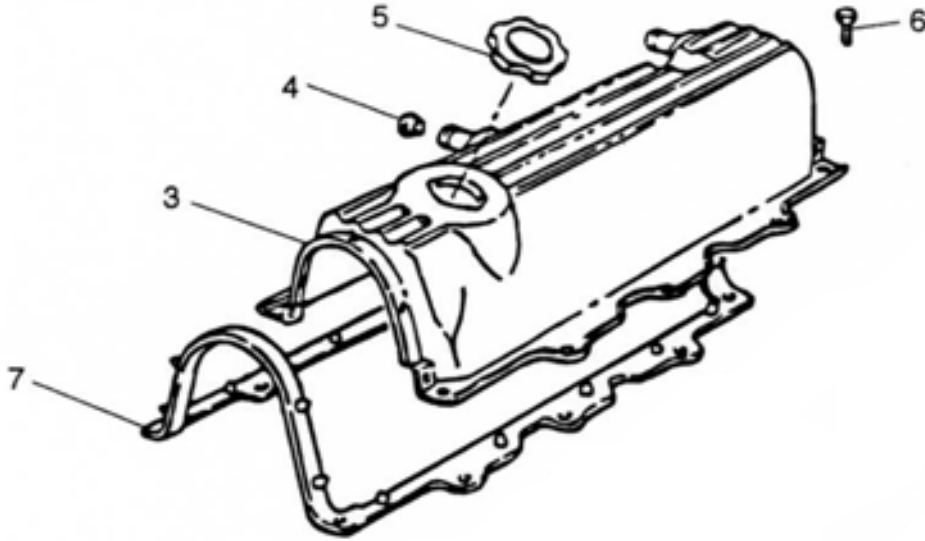
POWER TRAIN

ENGINE OIL

Item	Part Number	Qty	Description
1	4387478	1	SEAL-OIL PAN TO RETAINER FRONT
2	5203778	1	SEAL-OIL PAN TO RETAINER REAR(NS)
3	6032145	1	OIL PAN DRAIN PLUG(NOW 1 PIECE)
4	4621160	1	PAN-OIL PARTIAL WITH LINERS PAINTED
5	6501990	12	SCREW-HEX HEAD-M8-1.25 X 18
6	4387575	1	TUBE & CLIP-OIL LEVEL INDICATOR
7	6101445	1	NUT-OIL LEVEL INDICATOR TUBE(NS)
8	4397768	1	GASKET PACKAGE OIL PAN
9	4536073	1	VALVE-ANTI-DRAIN BACK OIL FILTER ADAPTER
10	4387675	1	TUBE-OIL PUMP PICKUP
11	1407748	1	O-RNG FILTER ADAPTER
12	6500070	1	SCREW & WASHER OIL PICKUP TUBE
13	4397746	1	PUMP-OIL
14	4387305	1	OIL COOLER-ENGINE
15	4387822	1	CONNECTOR-OIL COOLER ENGINE
16	4740294	1	SEAL-OIL COOLER
17	85085	1	OIL FILTER
18	4483102	1	DIPSTICK OIL INDICATOR

POWER TRAIN

CYLINDER HEAD



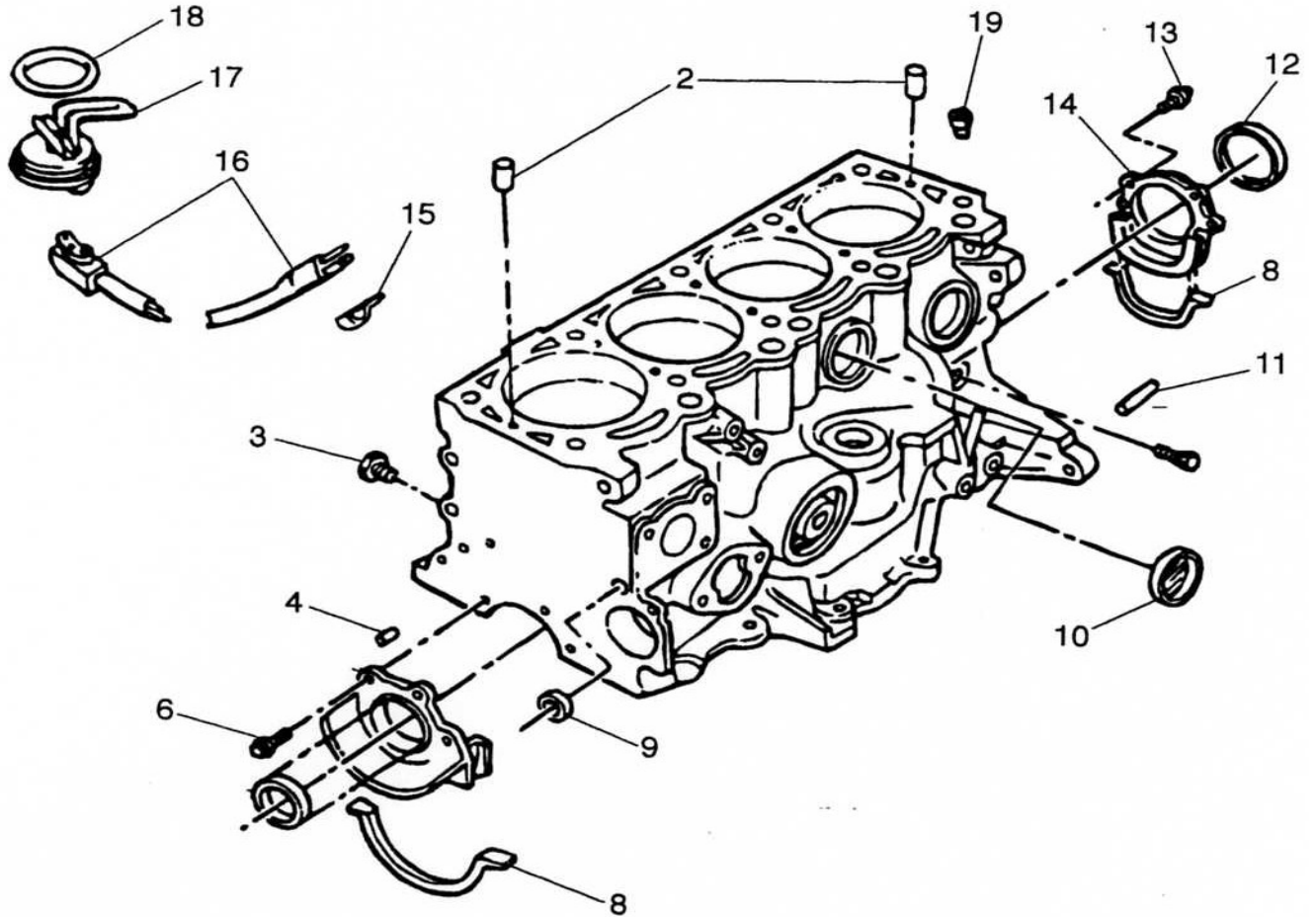
POWER TRAIN

CYLINDER HEAD

Item	Part Number	Qty	Description
1	4728218	1	GASKET PACKAGE STEEL HEAD(NS)
2	4773063	1	GASKET PACKAGE ALUMINUM HEAD(NS)
3	5241066	1	CYLINDER HEAD COVER
3	4739918	1	ALUMINUM CYLINDER HEAD COVER
4	4667303	1	RESTRICTOR
5	4621012		CAP-OIL FILTER
6	6100276	5	SCREW-HEX CAP-W/ W ASHER M6-20
7	4343882	1	GASKET
8	4105395	1	SEAL-CAMSHAFT FRONT OIL
9	NPN	10	SCREW-HEX CAP M8-1.25 X 45
10	4343627	1	HEAD-CYLINDER WITH EDM INJECTION
	6500267	1	SCREW-HEX CAP-W/ W ASHER M10-1.25 X 16
11	4105295	1	NIPPLE-THERMOSTAT WATER BY-PASS
12	5281065	1	GASKET-CYLINDER HEAD
13	4556020	2	PLUG-CORE HOLE CUP (1.25") X .065
13	4556021	AR	PLUG-CORE HOLE CUP (5/8) X .065
14	4556018	2	PLUG-OIL GALLERY HOLE (5/8)
14	4556019	AR	PLUG-OIL GALLERY HOLE (.065"O.S.)
15	6500435	2	STUD-W/ FLAT WASHER M6
	6100276	5	SCREW-HEX CAP-W/ W ASHER
15A	6500274	2	NUT-LOCK-M6-1.00
16	6501435	10	WASHER-CYLINDER HEAD SCREW
17	6501433	10	SCREW-HEX CAP-M11-122.5
18	NPN	AR	NUT-CAMSHAFT BEARING CAP STUD
19	NPN	5	CAPS-CAMSHAFT BEARING
20	4105396	1	SEAL-CAMSHAFT REAR OIL

POWER TRAIN

CYLINDER BLOCK



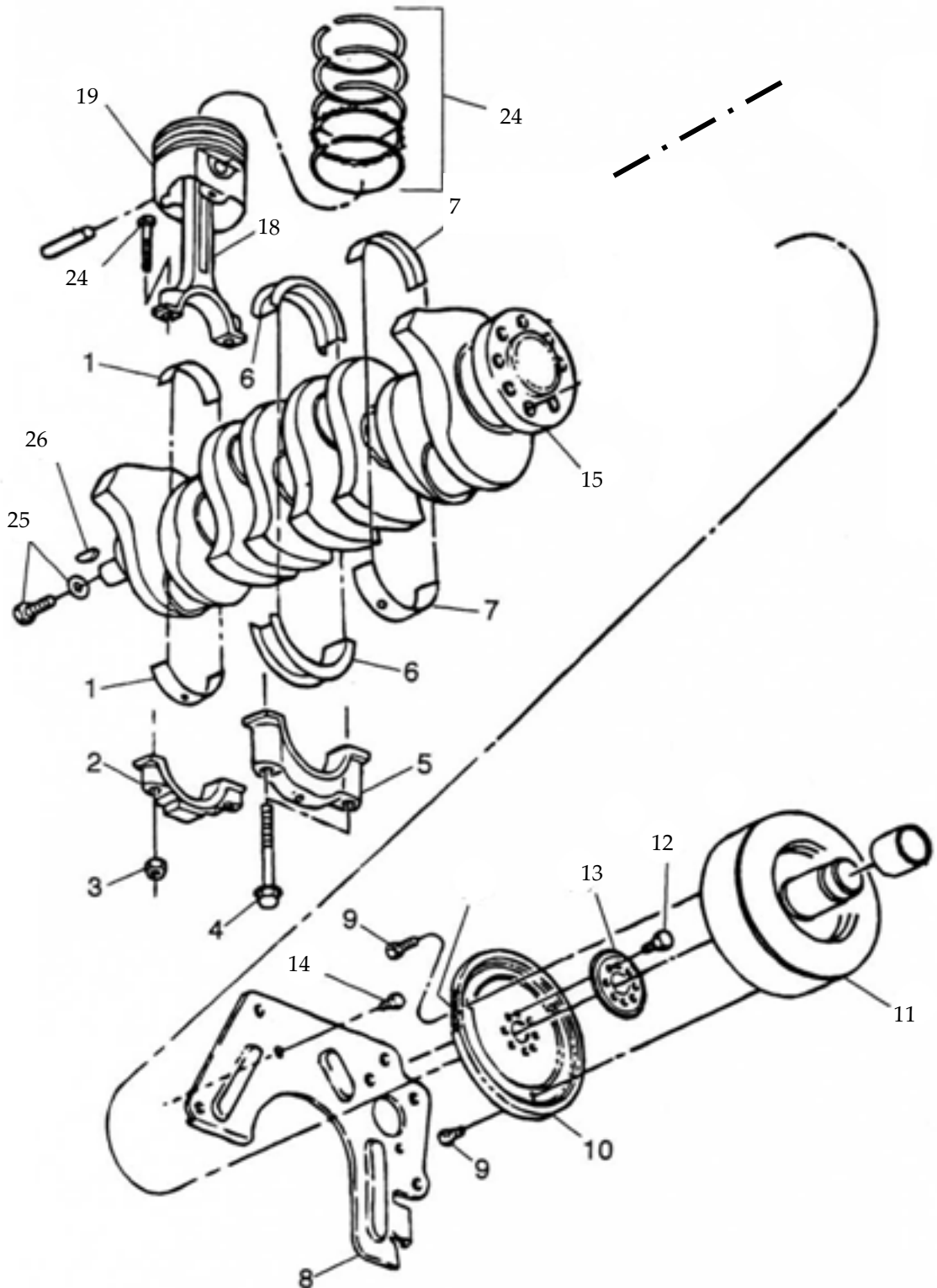
POWER TRAIN

CYLINDER BLOCK

Item	Part Number	Qty	Description
	4626450	1	GASKET PACKAGE LOWER ENGINE
1	4556431	1	ENGINE INJECTOR
2	6500402	2	DOWEL-CYLINDER BLOCK TO HEAD
3	NPN	1	PLUG-CYLINDER BLOCK WATER JACKET DRAIN (1/4)
4	NPN	4	DOWEL-CYLINDER BLOCK TO CRANKSHAFT RETAINER
6	6100276	3	SCREW-HEX CAP W/ WASHER
	6100271	1	SCREW-HEX CAP W/ WASHER
7	2473275	1	SEAL CRANKSHAFT FRONT OIL
8	5203778	1	SEAL OIL PAN TO RETAINER
8	4387478	1	SEAL OIL PAN TO RETAINER
9	4556018	2	PLUG-CYLINDER BLOCK OIL GALLERY (5/8")
10	4556022	5	PLUG-CYLINDER BLOCK CORE HOLE CUP (1.625" O/S)
11	5240849	2	DOWEL-CYLINDER BLOCK TO TRANSAXLE CASE
12	5203590	1	SEAL-CRANKSHAFT REAR OIL
13	6100276	4	SCREW-HEX CAP W/ WASHER CRANKSHAFT REAR OIL SEAL RETAINER
14	5214784	1	RETAINER-CRANKSHAFT REAR OIL SEAL
15	6015327	2	CLIP-ENGINE BLOCK HEATER CORD
16	4687405	1	CORD-ENGINE BLOCK HEATER
16	6015756	AR	STRAP-ENGINE BLOCK HEATER
17	4740197	1	HEATER PACKAGE-ENGINE BLOCK
18	6501445	1	O-RING ENGINE BLOCK HEATER (1-11/32 DIA 11/64 WIDTH)
18	6501446	1	O-RING ENGINE BLOCK HEATER (1-11/32 DIA 9/64 WIDTH)
19	4323808	1	RESTRICTOR-CYLINDER HEAD OIL

POWER TRAIN

CRANKSHAFT, PISTON & TORQUE CONVERTOR



POWER TRAIN

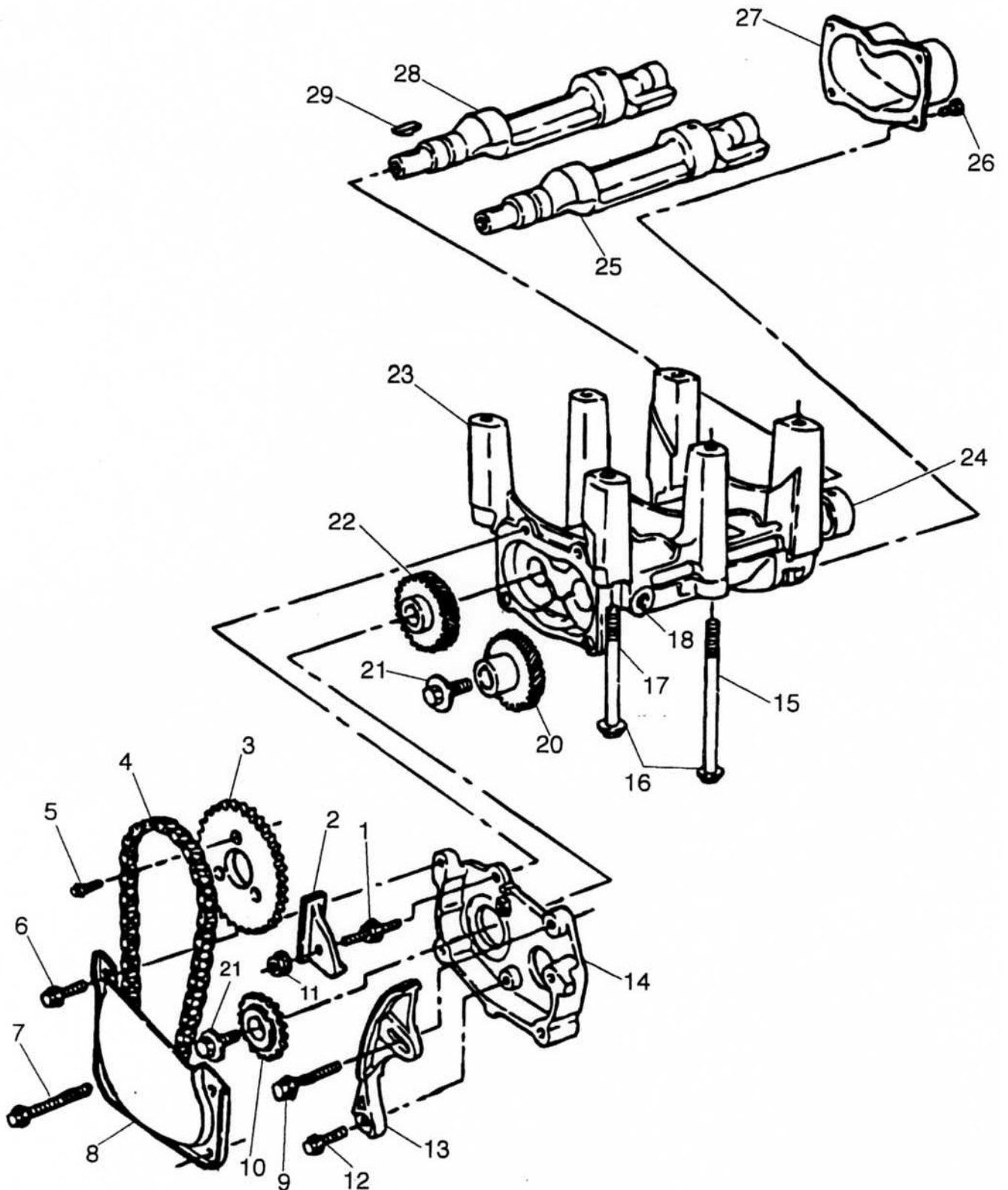
CRANKSHAFT, PISTON & TORQUE CONVERTOR

Item	Part Number	Qty	Description
1	5241076	4	BEARING PACKAGE CONNECTING ROD
1	5241077	4	.025mm US
1	5241079	4	.250mm US
2	NPN	4	CAP CONNECTING ROD BEARING
3	4227678	8	NUT CONNECTING ROD BEARING
4	6501934	10	SCREW-HEX CAP
5	NPN	5	CAPS CRANKSHAFT BEARING
6	4637601	1	BEARING PACKAGE CRANKSHAFT
6	46376021	1	.025mm US
6	4637604	1	.250mm US
7	4741001	4	BEARING PACKAGE CRANKSHAFT
7	4637596	4	.025mmUS
7	4637598	4	.250mm US
8	NPN	1	COVER TRANSAXLE CASE UPPER
9	6501099	4	SCREW-HEX CAP-DRIVE PLATE
10	4446309	1	FLEX PLATE WITH RING GEAR
11	4778718	1	CONVERTER TORQUE
12	6501193	8	SCREW-HEX CAP
13	4471933	1	PLATE CRANKSHAFT BOLT BACKING
14	NPN	1	SCREW-HEX CAP - WITH WASHER
15	4448487	1	CRANKSHAFT
18	4343436	4	CONNECTING ROD
19	4728945	4	STANDARD PISTON WITH PIN
19	CEP224-2783-50MM	4	OVERSIZE PISTON WITH PIN
20	NPN	4	RING SET COMPLETE STANDARD
24	4448934	8	SCREW-HEX CAP
25	6503382	1	SCREW-HEX CAP - WITH WASHER
26	6500150	1	KEY CRANKSHAFT SPROCKET

PISTON SIZE FOR EACH CYLINDER IS STAMPED ON INTAKE SIDE OF THE CYLINDER BLOCK AT THE OIL PAN RAIL IF BORE READING EXCEEDS 3.4460" A SHORTBLOCK SHOULD BE ORDERED. SOME PARTS MAY BE ON AVAILABLE AS REMANUFACTURED.

POWER TRAIN

CAMSHAFT & VALVES



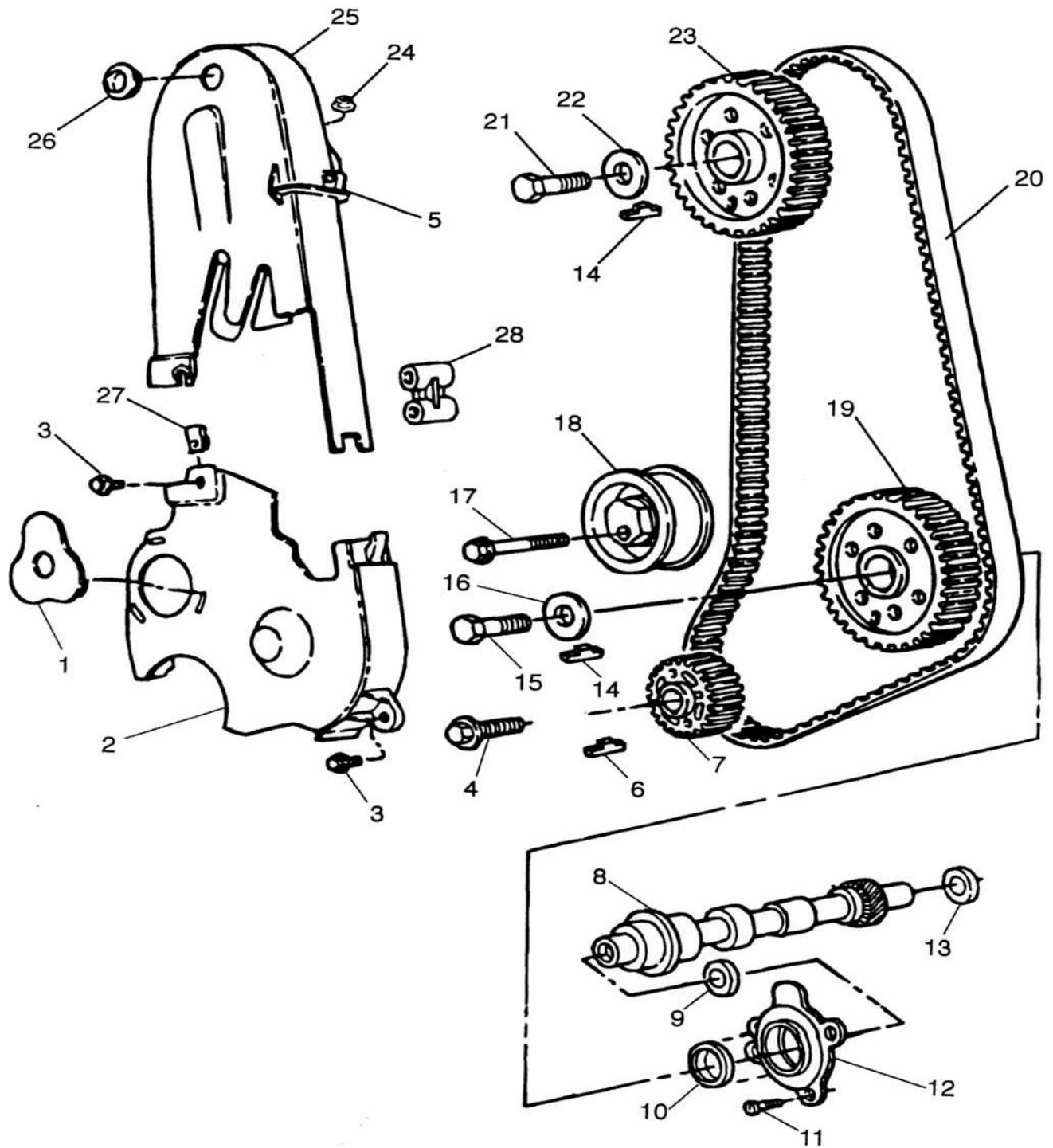
POWER TRAIN

CAMSHAFT & VALVES

Item	Part Number	Qty	Description
1	6501226	1	STUD & WASHER M6-41
2	4343660	1	GUIDE-CHAIN
3	4483486	1	SPROCKET-CRANKSHAFT CHAIN
4	4273260	1	CHAIN-BALANCE SHAFT
5	6101410	3	SCREW-CRANKSHAFT SPROCKET M6-16
6	6501714	2	SCREW-HEX CAP W/ WASHER M6-16
7	6100272	2	SCREW-HEX CAP W/ WASHER M6-50
8	4323041	1	TROUGH-CARRIER COVER FRONT
9	6501420	1	SCREW-HEX CAP W/ WASHER M6-35
10	4483485	1	SPROCKET-BALANCE SHAFT
11	6100047	1	NUT WITH WASHER
12	6101278	1	SCREW-HEX CAP W/ WASHER M6-20
13	4343662	1	TENSIONER-CHAIN
14	4323039	1	COVER
15	6501909	4	SCREW-HEX CAP-M10-1.5 X 140
16	6501435	6	WASHER-CARRIER ATTACHING
17	6501908	2	SCREW-HEX CAP-M10-1.5 X 105
18	4556017	1	PLUG-CARRIER OIL HOLE
19	NPN	2	DOWEL-CARRIER GEAR COVER
20	4343785	1	GEAR-BALANCE SHAFT DRIVEN
21	6501404	2	SCREW-HEX CAP W/ WASHER M8-1.25 X 25
22	4343783	1	GEAR-BALANCE SHAFT DRIVE
23	4556231	1	CARRIER & BEARING BALANCE SHAFT
	NPN	2	DOWEL-BALANCE SHAFT CARRIER M6-16
24	NPN	2	BEARING-BALANCE SHAFT REAR
25	4556010	1	SHAFT-BALANCE DRIVEN
26	6501714	4	SCREW-HEX CAP W/ WASHER M6-16
27	4323043	1	COVER-BALANCE SHAFT REAR

POWER TRAIN

TIMING BELT, COVERS & INTERMEDIATE SHAFT



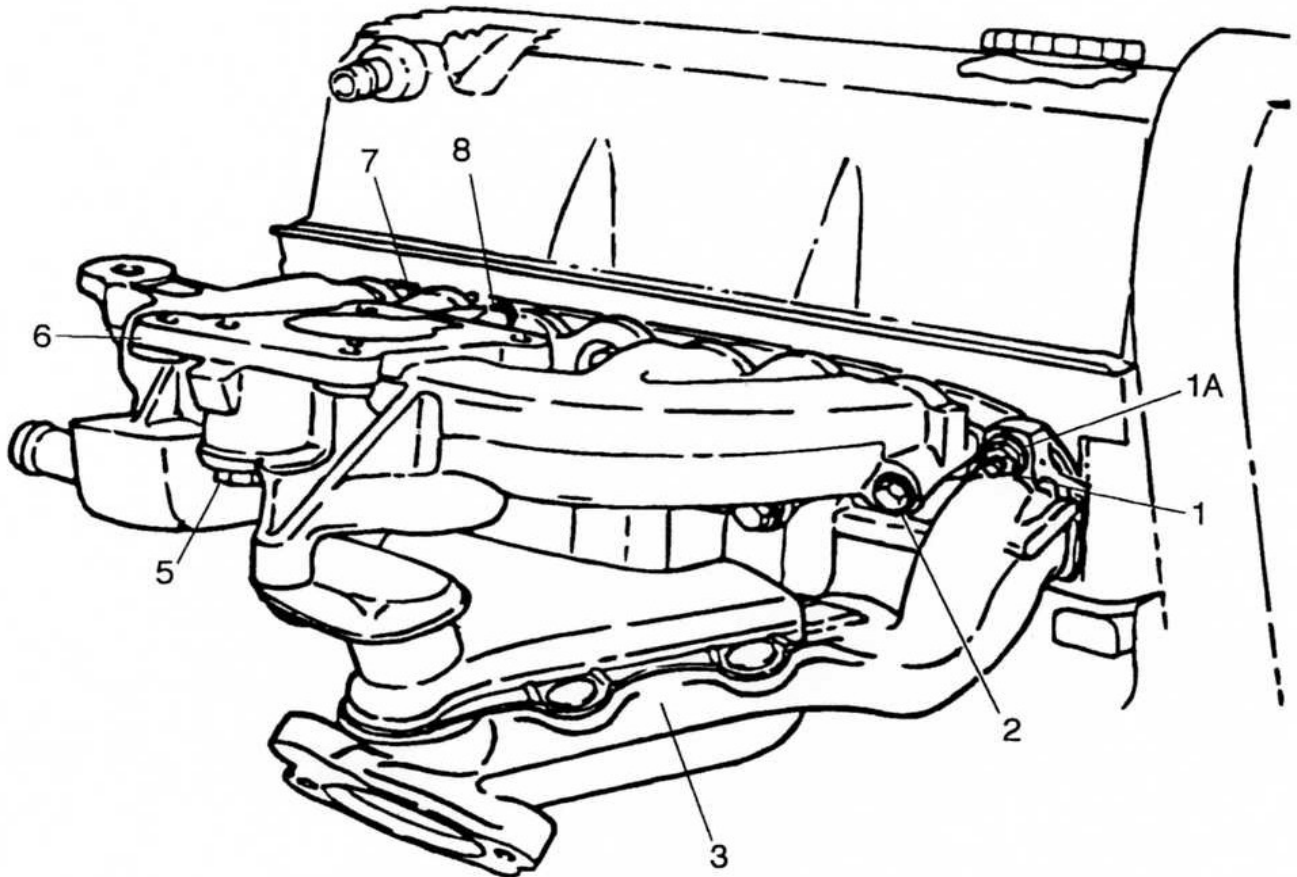
POWER TRAIN

TIMING BELT, COVERS & INTERMEDIATE SHAFT

Item	Part Number	Qty	Description
1	NO LONGER AVAILABLE	1	PLUG-TIMING BELT COVER LOWER
2	4242821	1	COVER-TIMING BELT LOWER
3	6500778	3	SCREW-HEX CAP-M6-20
4	6501947	1	SCREW-HEX CAP W/ WASHER
5	NPN	1	COVER-SERVICED IN ITEM #25
6	6500150	1	KEY-CRANKSHAFT SPROCKET
7	4667262	1	SPROCKET-CRANKSHAFT
8	4343428	1	SHAFT-INTERMEDIATE
9	4448700	1	BEARING-INTERMEDIATE SHAFT FRONT
10	4105395	1	SEAL-INTERMEDIATE SHAFT OIL
11	6100276	3	SCREW-HEX CAP-SHAFT RETAINER
12	5203325	1	RETAINER-INTERMEDIATE SHAFT OIL SEAL
13	4105217	1	BEARING-INTERMEDIATE SHAFT REAR
14	6500150	1	KEY-INTERMEDIATE SHAFT SPROCKET
	6500150	1	KEY-CAMSHAFT SPROCKET
15	6501405	1	SCREW-HEX CAP-INTERMEDIATE SHAFT SPROCKET
16	6500346	1	WASHER
17	6101277	1	SCREW-HEX CAP W/ WASHER
18	4315705	1	PULLEY-TENSION
19	4448690	1	SPROCKET-INTERMEDIATE SHAFT
20	4387549	1	BELT-TIMING
21	6501405	1	SCREW-HEX CAP
22	6500346	1	WASHER-CAMSHAFT SPROCKET SCREW
23	4448690	1	SPROCKET-CAMSHAFT
24	6500274	2	NUT-TIMING BELT COVER
25	4343820	1	COVER-TIMING BELT UPPER
26	2094631	1	PLUG-TIMING BELT COVER UPPER
27	11503714	1	U-NUT-TIMING BELT COVER
28	4556176	1	SPACER-ACCESSORY MOUNTING BRACKET

POWER TRAIN

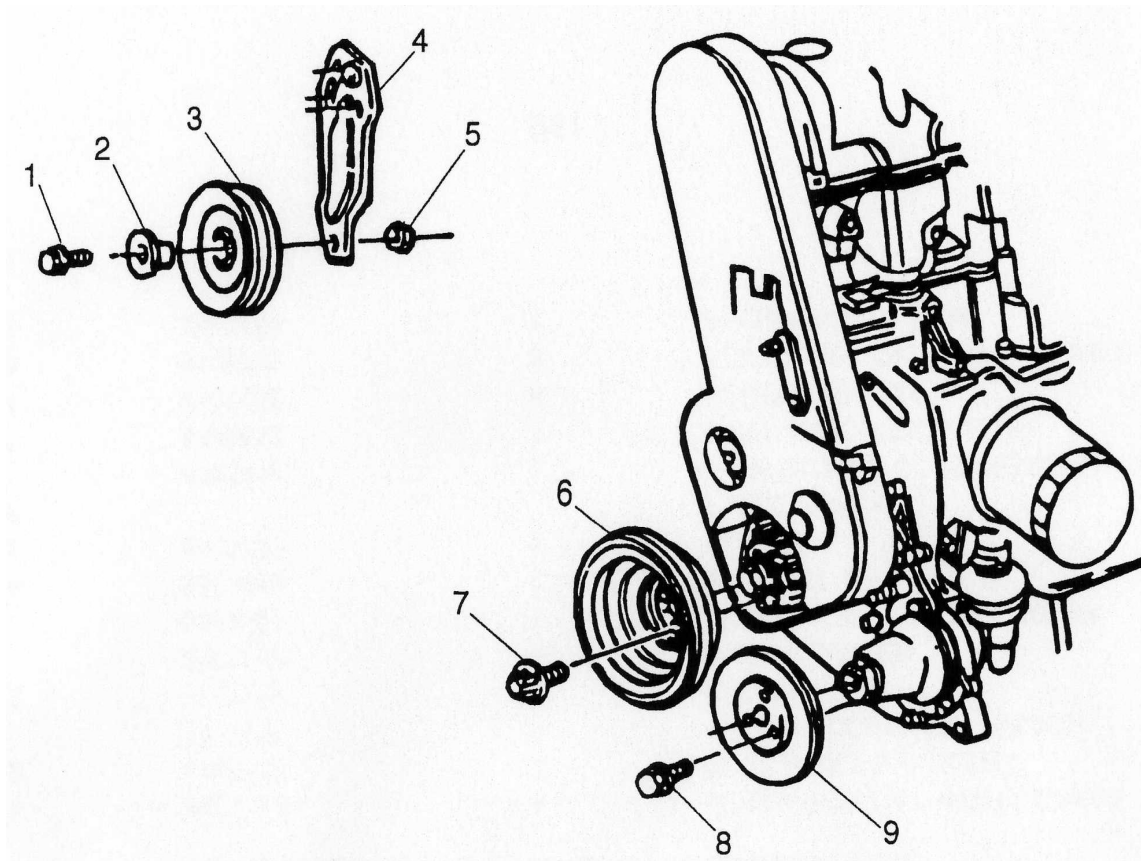
MANIFOLDS, INTAKE & EXHAUST



Item	Part Number	Qty	Description
	4105745	1	GASKET INTAKE & EXHAUST MANIFOLD
1	6504170	8	STUDS
1A	6500363	8	NUTS
2	6501688	4	SCREW-HEX CAP M8X90
3	4273099	1	MANIFOLD-EXHAUST
5	NPN	1	PLUG
6	4667173	1	MANIFOLD-INTAKE W/O EGR
7	4105745	1	GASKET
8	4343761	1	NIPPLE

POWER TRAIN

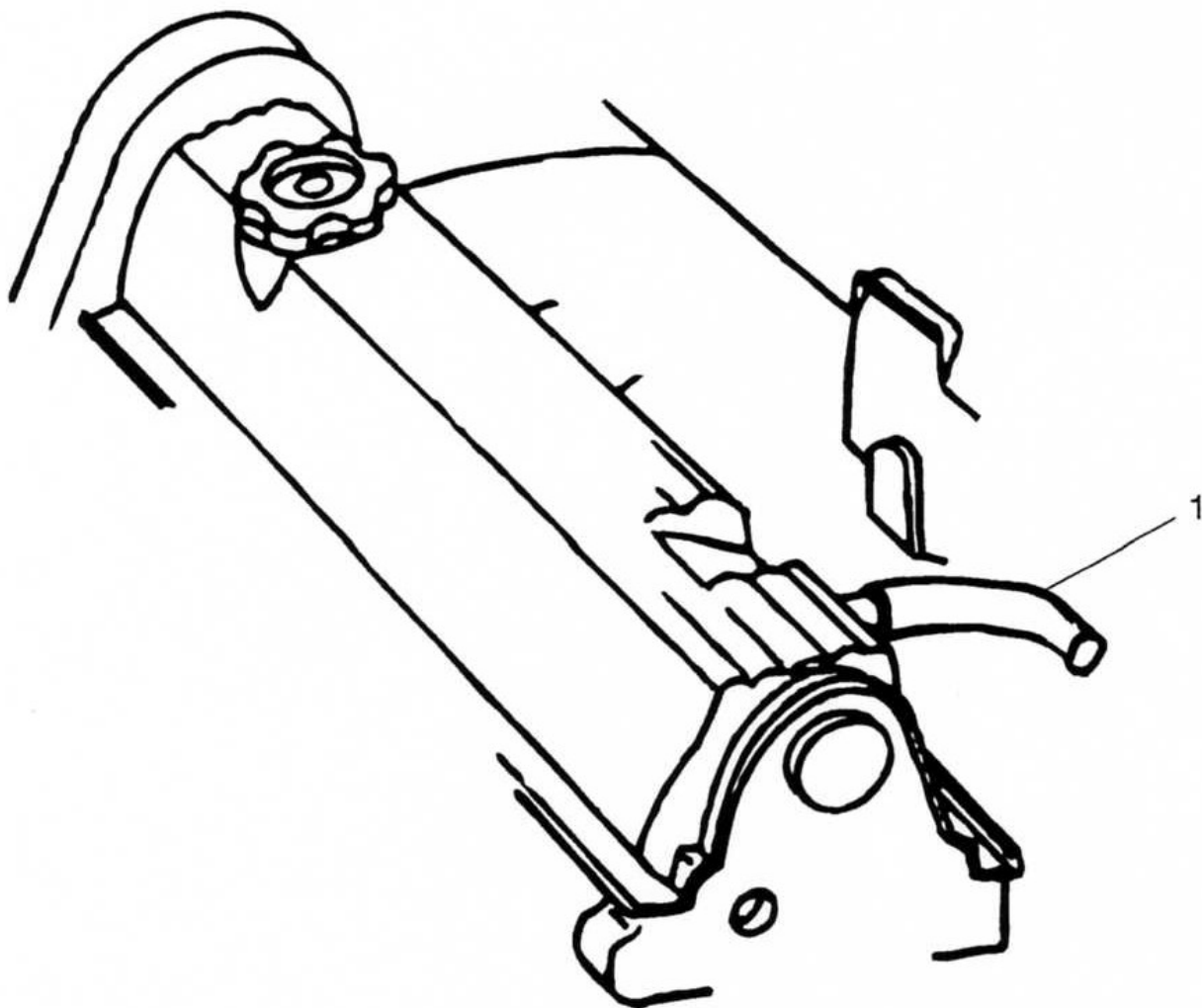
DRIVE PULLEYS



Item	Part Number	Qty	Description
1	6501732	1	SCREW-HEX CAP-WITH WASHER
2	4483016	1	SHIELD-IDLER ROLLER
3	3830196	1	PULLEY-IDLER
4	5281050	1	BRACKET WITH PULLEY
5	6100525	1	NUT
6	4483412	1	PULLEY-DRIVE
7	6101452	4	SCREW-HEX CAP
8	6100302	3	SCREW-HEX CAP WITH WASHER
9	4483468	1	PULLEY-WATER PUMP

POWER TRAIN

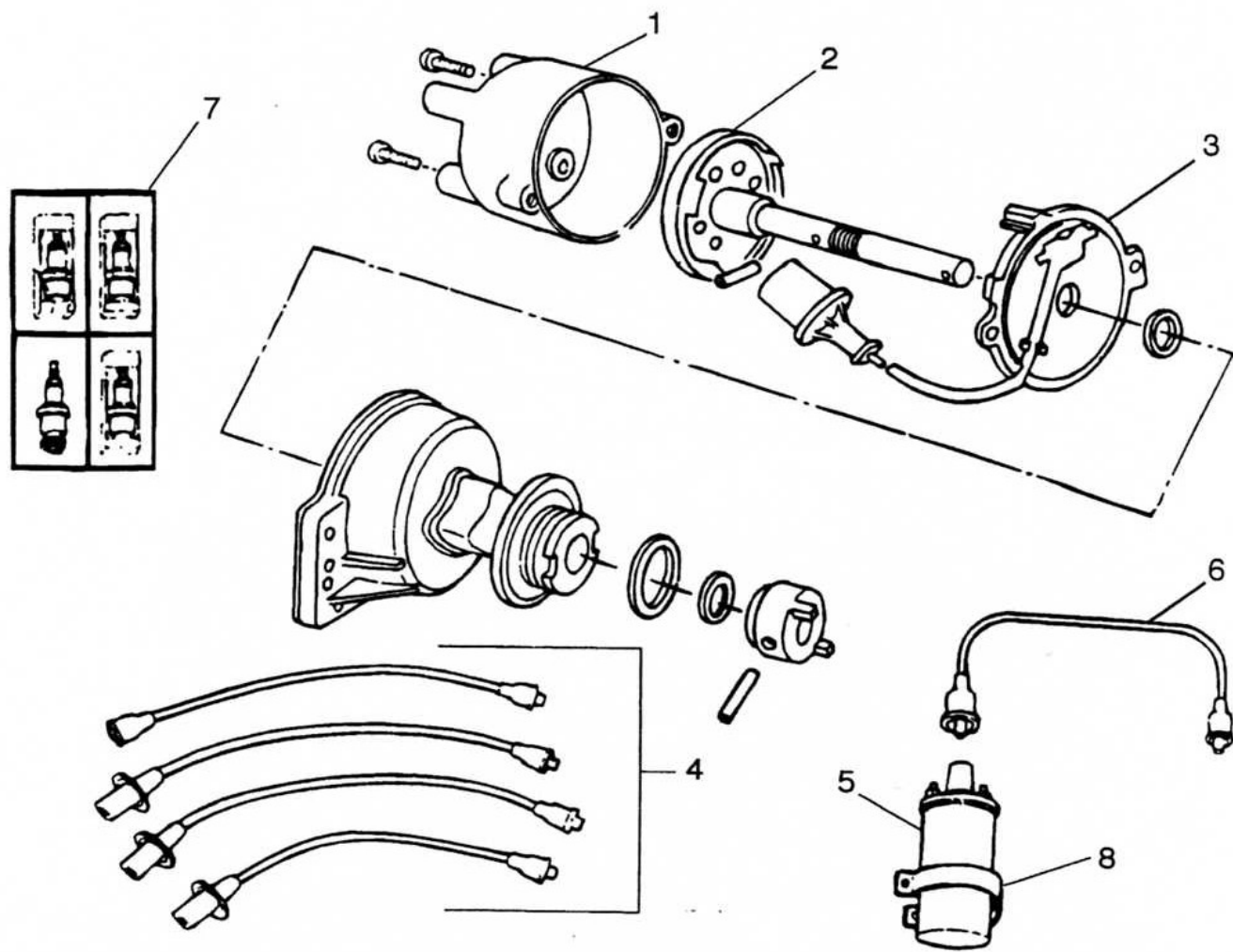
CRANKSHAFT VENTILATION



Item	Part Number	Qty	Description
1	5/8 HEATER HOSE APPROX 8 INCHES	1	HOSE-CRANKCASE VENT TO AIR CLEANER

POWER TRAIN

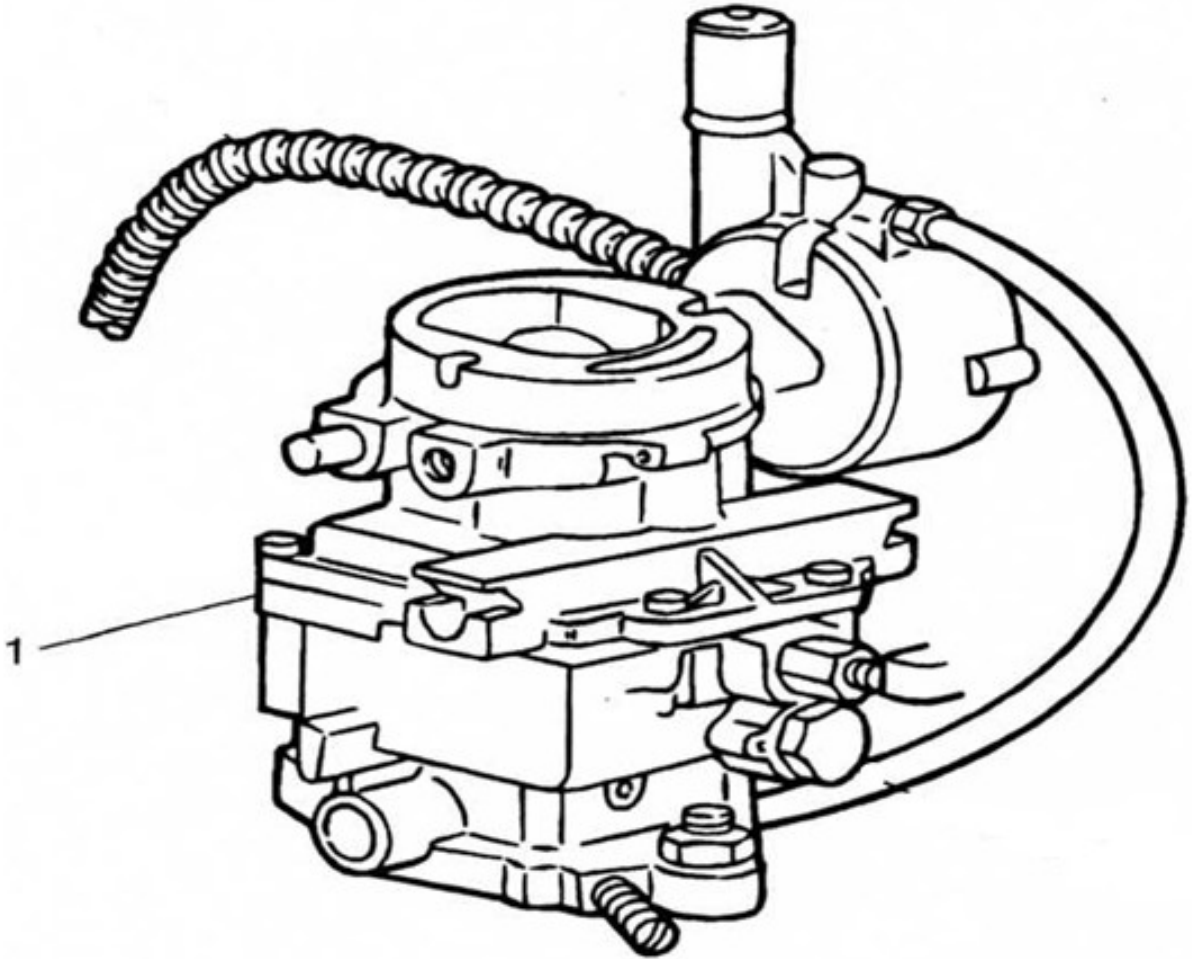
DISTRIBUTOR SPARK PLUGS & CABLES



Item	Part Number	Qty	Description
	5226575		DISTRIBUTOR
1	5226546	1	CAP-DISTRIBUTOR
2	5226535	1	ROTOR-DISTRIBUTOR
3	4886068AA	1	SWITCH WITH PLATE
4	1-04419359	1	CABLE SET INCLUDED ITEM 4 & 6
5	4176009	1	COIL-IGNITION
6	SEE ITEM 4	1	WIRE-IGNITION COIL
7	5213693	4	SPARK PLUGS, RN12YC
8	5227251	1	COIL BRACKET

POWER TRAIN

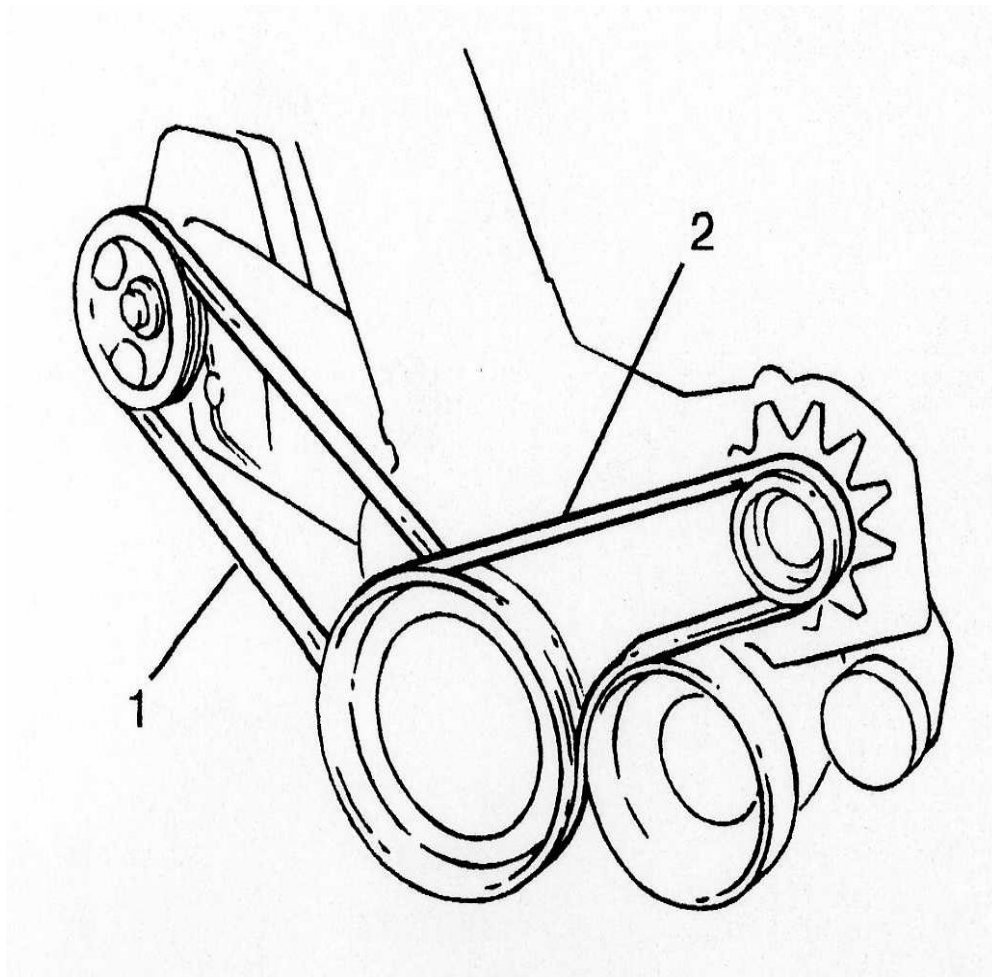
CARBURETOR



Item	Part Number	Qty	Description
1	AA-TT5-00012	1	CARBURETOR ASSEMBLY
2	C526227	1	MAIN JET
3	C184914	1	JET ASSEMBLY
4	K2275	1	CARBURETOR REBUILD KIT
5	B165-51-1	1	FLOAT
6	B85-139	1	CHOKE HEATER

POWER TRAIN

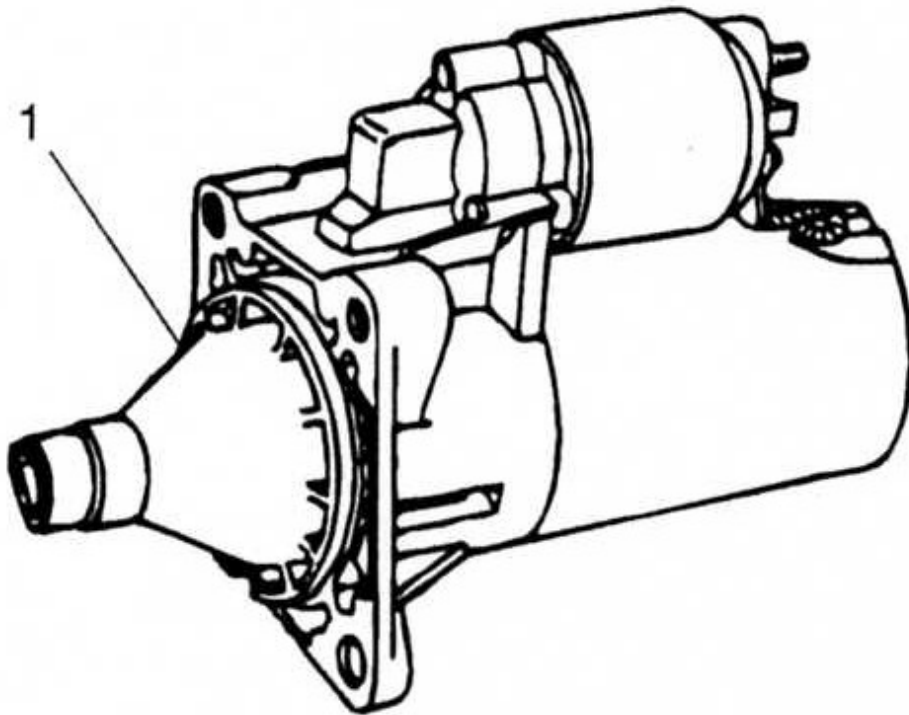
BELT DRIVE



Item	Part Number	Qty	Description
1	7430	1	POWER STEERING PUMP BELT
2	4668165	1	ALTERNATOR BELT

POWER TRAIN

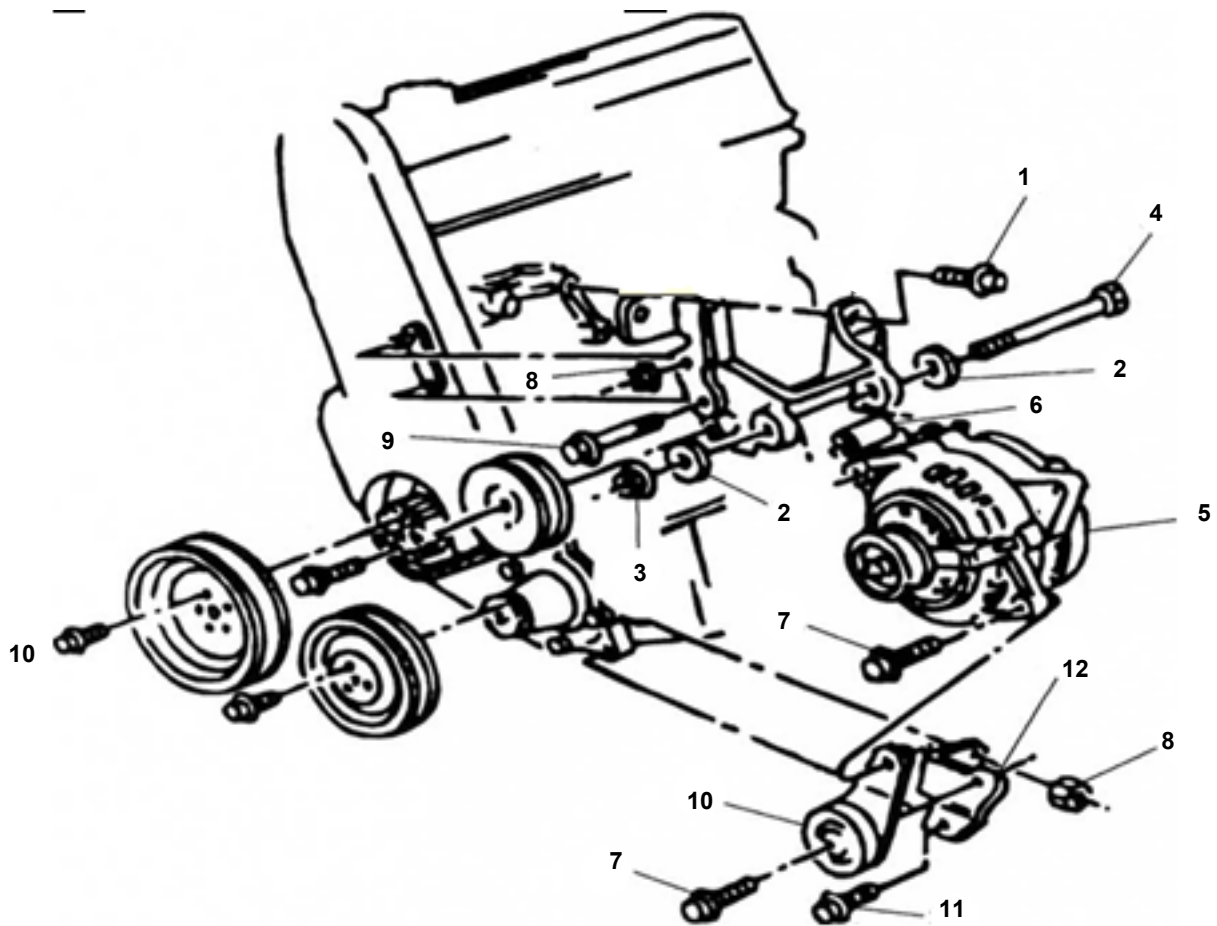
STARTER



Item	Part Number	Qty	Description
1	4671130	1	STARTER

POWER TRAIN

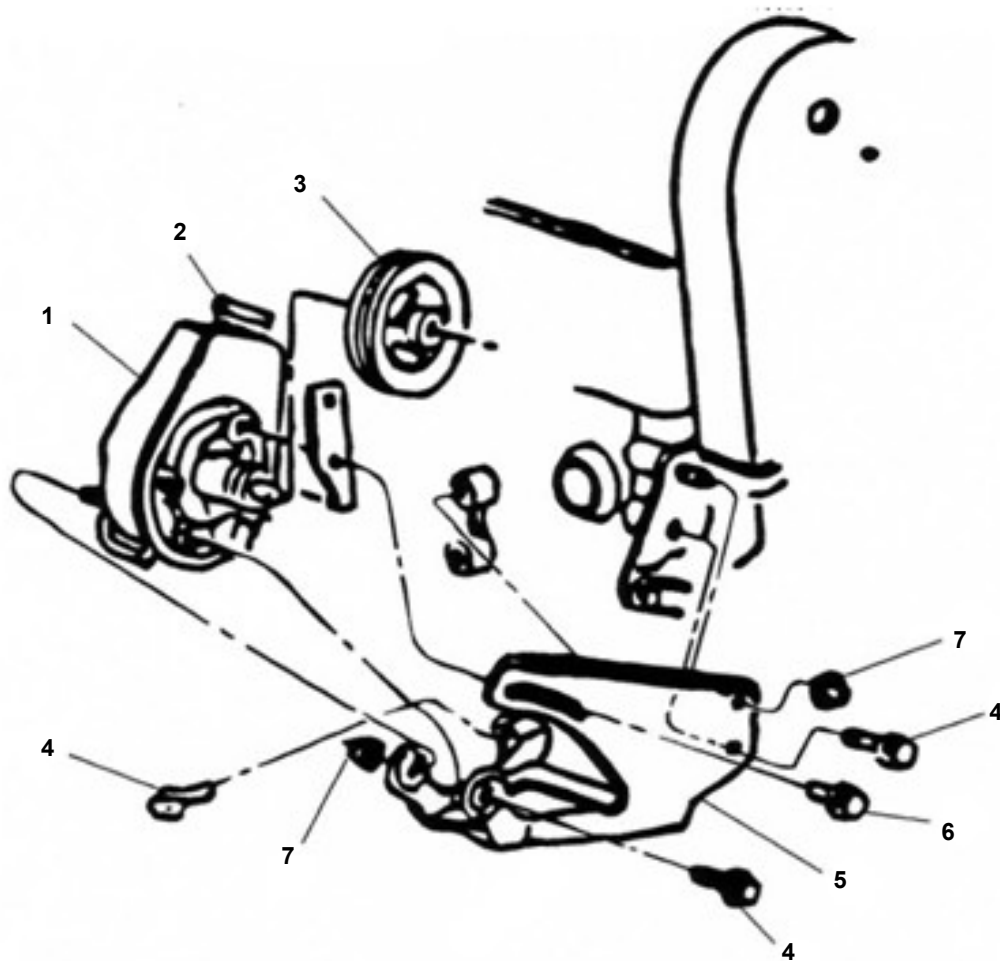
ALTERNATOR



Item	Part Number	Qty	Description
1	6501732	2	SCREW-HEX CAP-WITH WASHER
2	NPN	2	WASHER-FLAT
3	NPN	1	NUT
4	NPN	1	SCREW
5	4557431	1	ALTERNATOR
6	4483488	1	SPACER
7	NPN	2	SCREW-HEX CAP-WITH WASHER
8	6101448	2	NUT WITH CRUSH WASHER
9	NPN	1	SCREW
10	4483491	1	BRACKET-ADJUSTMENT UPPER
11	6501756	1	SCREW-HEX CAP
12	4536077	1	BRACKET-ALTERNATOR MOUNTING
13	4556175	1	ISOLATOR-ALTERNATOR (RUBBER NS)

POWER TRAIN

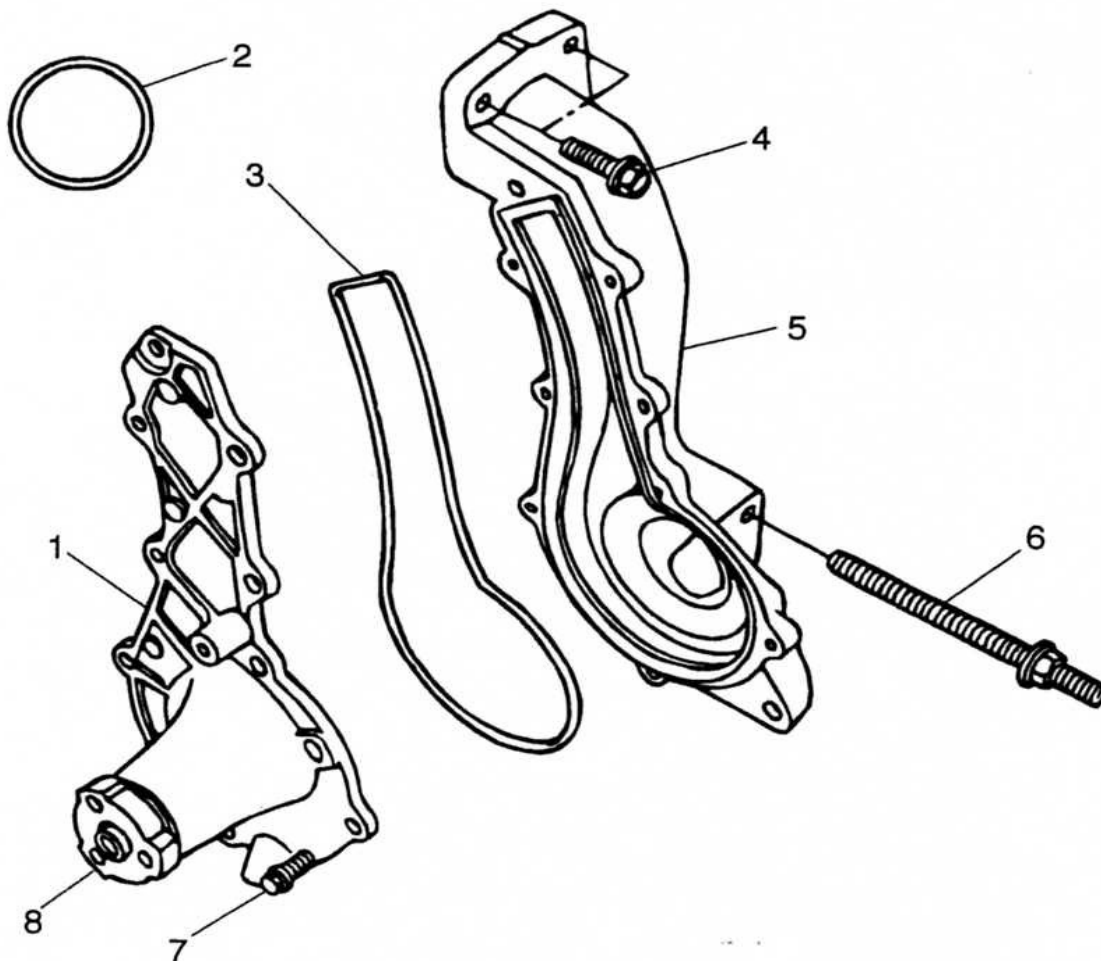
POWER STEERING PUMP



Item	Part Number	Qty	Description
1	5274131	1	PUMP-ASSEMBLY POWER STEERING
2	4470376	1	CAP-PUMP
3	5214134	1	PULLEY
4	6500399	3	SCREW
5	5214491	1	BRACKET
6	6502406	1	SCREW WITH WASHER
7	6101448	2	NUT WITH WASHER

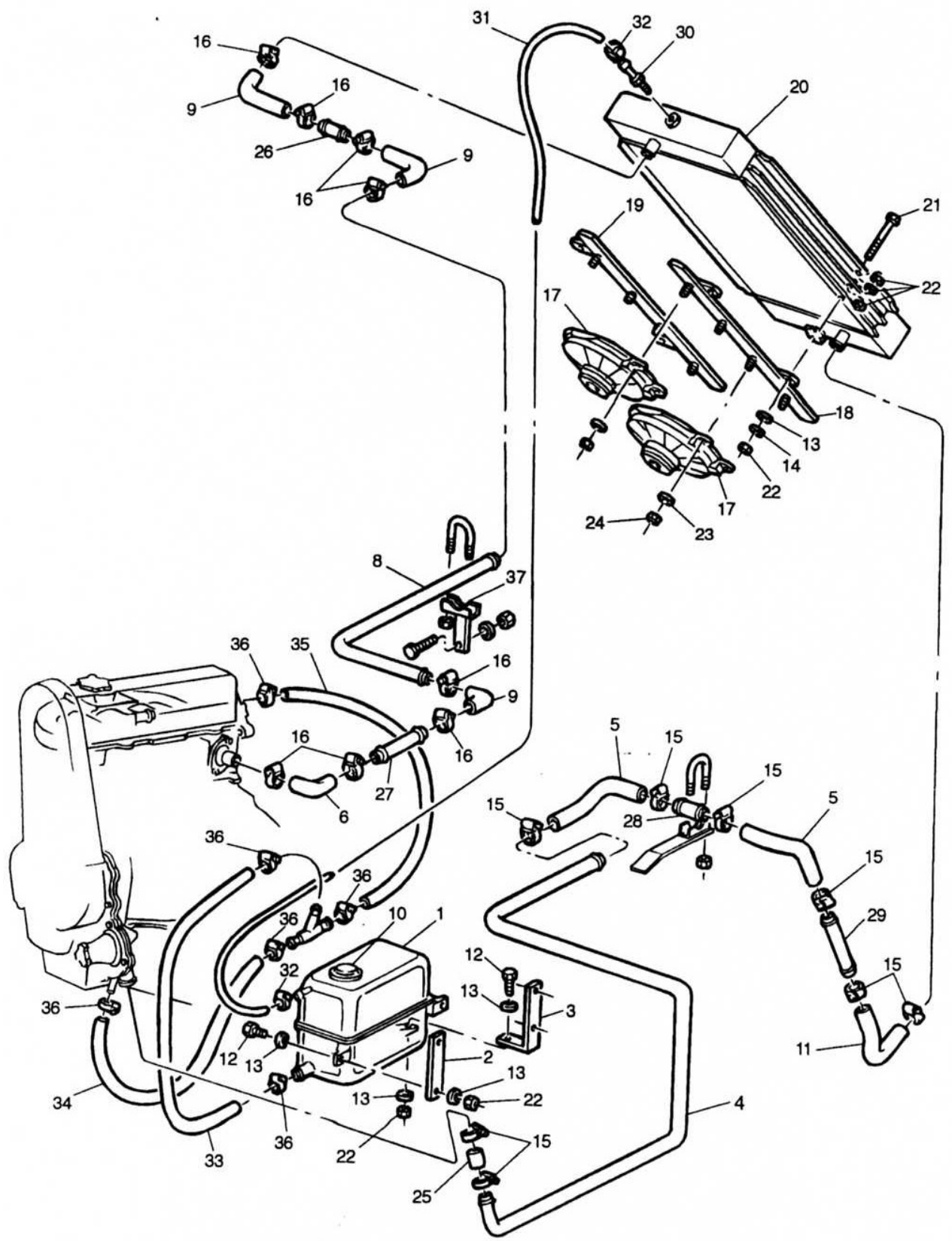
POWER TRAIN

WATER PUMP



Item	Part Number	Qty	Description
1	4621172	1	PUMP-WATER
2	5203542	1	GASKET-WATER PUMP HOUSING
3	4387459	1	GASKET-WATER PUMP BODY
4	6101462	3	SCREW-HEX CAP
5	4315737	1	HOUSING-WATER PUMP
6	6502718	1	STUD
7	6100267	9	SCREW-HEX CAP-WITH WASHER
8	4483629	1	HUB-WATER PUMP PULLEY

COOLING SYSTEM



COOLING SYSTEM

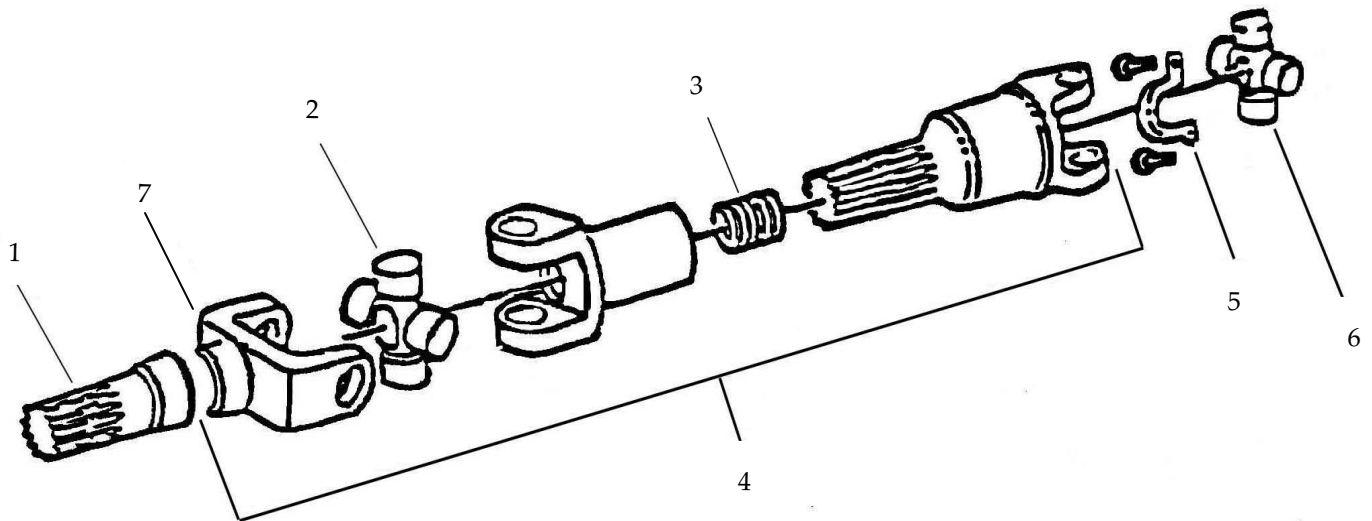
Item	Part Number	Qty	Description
1	A-TT4-00322-1	1	SURGE TANK
2	A-TT5-00331	1	STRAIGHT BRACKET
3	A-TT5-00330	1	90 DEGREE BRACKET
4	A-TT4-00326	1	TUBE-LOWER RADIATOR HOSE
5	A-TT4-00323	2	90 DEGREE-HOSE-LOWER
6	A-TT4-00321	1	90 DEGREE-HOSE-UPPER
7	A-TT4-00606	1	"Y"-FITTING
8	A-TT4-00320	1	TUBE-UPPER RADIATOR HOSE
9	A-TT4-00317	3	90 DEGREE ELBOW-HOSE-UPPER
10	A-TT4-00330-1	1	COOLING SYSTEM FILL CAP
11	A-TT4-00314	1	90 DEGREE ELBOW-HOSE-LOWER
12	NPN	2	SCREW-HEX CAP-1/4-20 X 1
13	NPN	8	WASHER-FLAT-1/4
14	NPN	4	WASHER-LOCK-1/4
15	A-TT4-00315	8	CLAMP-HOSE-#24
16	A-TT4-00316	8	CLAMP-HOSE-#20
17	A-TT4-00312-1	2	ELECTRIC FAN
18	A-TT5-00313* See Note Below	1	FAN BRACKET R/H
19	A-TT5-00314* See Note Below	1	FAN BRACKET L/H
20	B-TT4-00311-1	1	RADIATOR
21	NPN	4	SCREW-HEX CAP-1/4-20 X 4
22	NPN	18	NUT-LOCK-1/4-20
23	NPN	8	WASHER-FLAT-#10
24	NPN	8	NUT-LOCK-#10-32
25	A-TT4-00324	1	HOSE
26	A-TT4-00318	1	TUBE-TOP 3.0 LONG
27	A-TT4-00335	1	TUBE 7.0 LONG
28	A-TT4-00327	1	TUBE 6.0 LONG
29	A-TT4-00334	1	TUBE 9.0 LONG
30	A-TT4-00336	1	INVERTED MALE CONNECTOR
31	NPN	1	HOSE 3/8
32	A-TT4-00602	2	HOSE-CLAMP-#10
33	NPN	1	HOSE 3/4
34	NPN	1	HOSE 3/4
35	NPN	1	HOSE 3/4
36	A-TT4-00325	6	HOSE-CLAMP-#16
37	A-TT4-00338	1	SUPPORT-UPPER TUBE

*Items 18 and 19 are no longer available and have been replaced by a shroud. The new part number is

A-TT-00341.

DRIVELINE

DRIVE SHAFT ASSEMBLY-FRONT (ALL TT 4-8 MODELS)



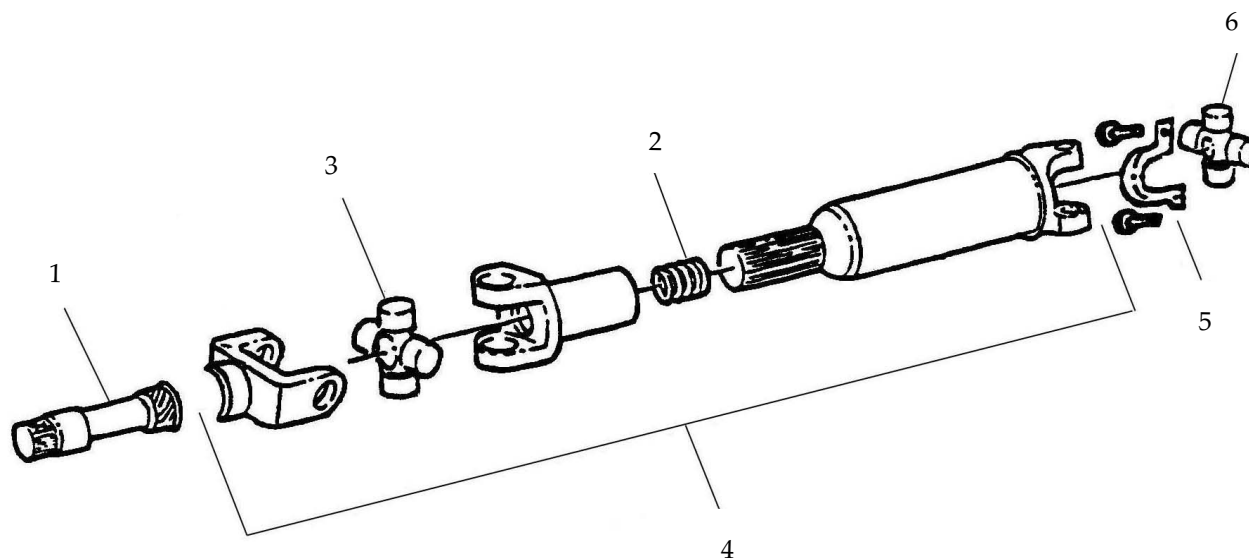
Item	Part Number	Qty.	Description
1	A-TT8-00201-1	1	TRANSMISSION OUTPUT YOKE SHAFT-FRONT
2	A-TT4-00132-1	1	CROSS BEARING FRONT D/S NEW STYLE
3	A-TT4-00134	1	DRIVE SHAFT SPRING
4	A-TT8-00202-2	1	DRIVE SHAFT
5	A-TT4-00130	2	END YOKE STRAP AND BOLT KIT
6	A-TT4-00137-1	1	CROSS BEARING FRONT D/S NEW STYLE
7	2-4-1921	1	END YOKE

*Due to discontinuation of certain Chrysler parts your original driveshaft and yoke may no longer be available. If

You require driveshaft AB-TT8-00200-1 or transmission output yoke A-TT8-00201 you will be require to replace them with A-TT8-00202-2 driveshaft and A-TT8-00201-1 yoke shaft.

DRIVELINE

DRIVESHAFT ASSEMBLY—REAR (ALL TT 4-8 MODELS)



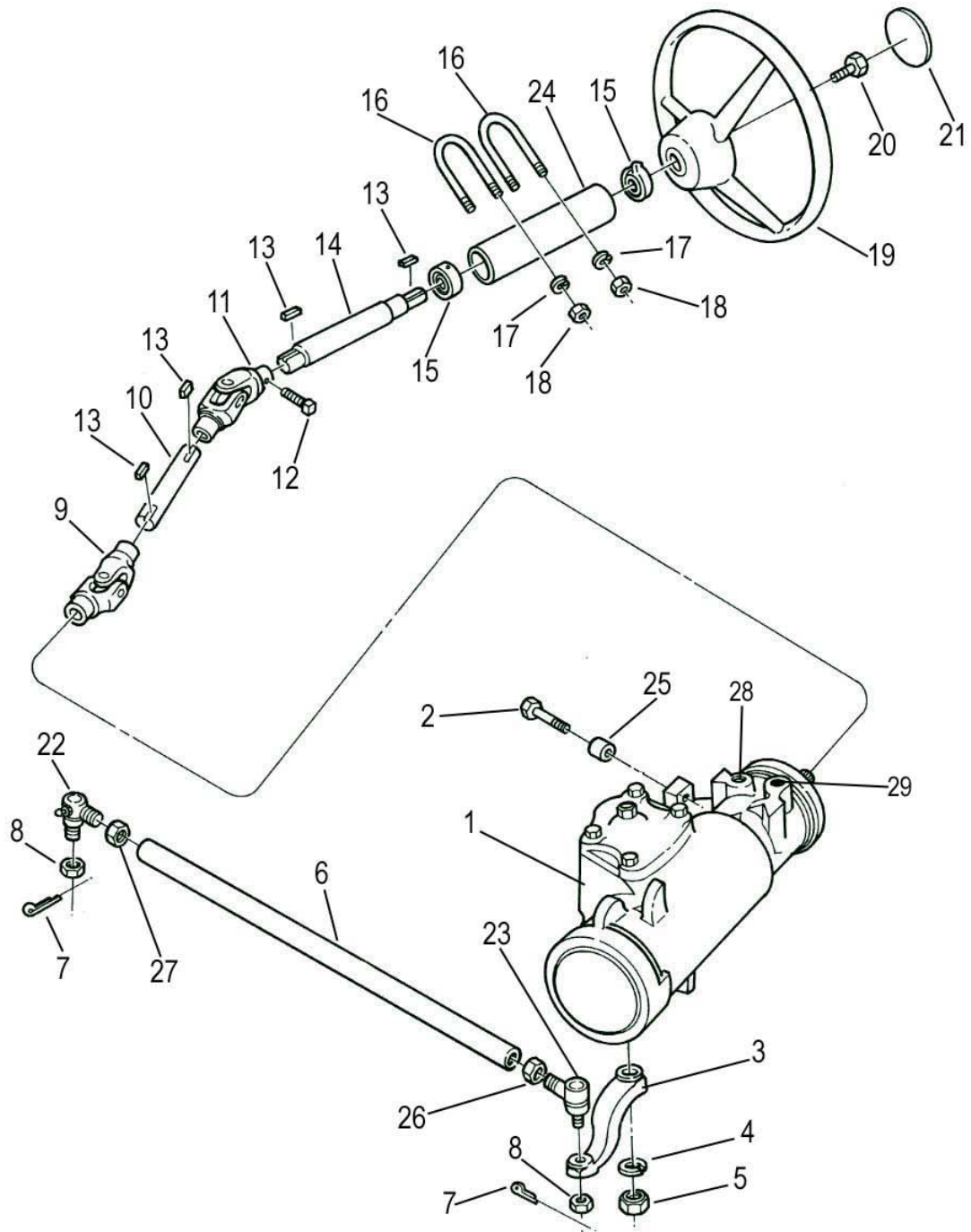
Item	Part Number	Qty.	Description
1	A-TT8-00201-2	1	TRANSMISSION OUTPUT YOKE SHAFT-REAR
2	A-TT4-00134	1	DRIVE SHAFT SPRING
3	A-TT4-00132-1	1	CROSS BEARING FRONT D/S NEW STYLE
4	AB-TT4-00130-1	1	DRIVE SHAFT
5	A-TT4-00130	2	END YOKE STRAP KIT
6	A-TT4-00137	1	CROSS BEARING REAR D/S NEW STYLE

*Due to discontinuation of certain Chrysler parts your original driveshaft and yoke may no longer be available. If

You require driveshaft A-TT4-00135-1 or transmission output yoke A-TT8-00131 you will be require to replace them with AB-TT4-00130-1 driveshaft and A-TT8-00201-2 yoke shaft.

STEERING SYSTEM

STEERING SYSTEM BREAKDOWN



STEERING SYSTEM

STEERING SYSTEM BREAKDOWN – DETAIL

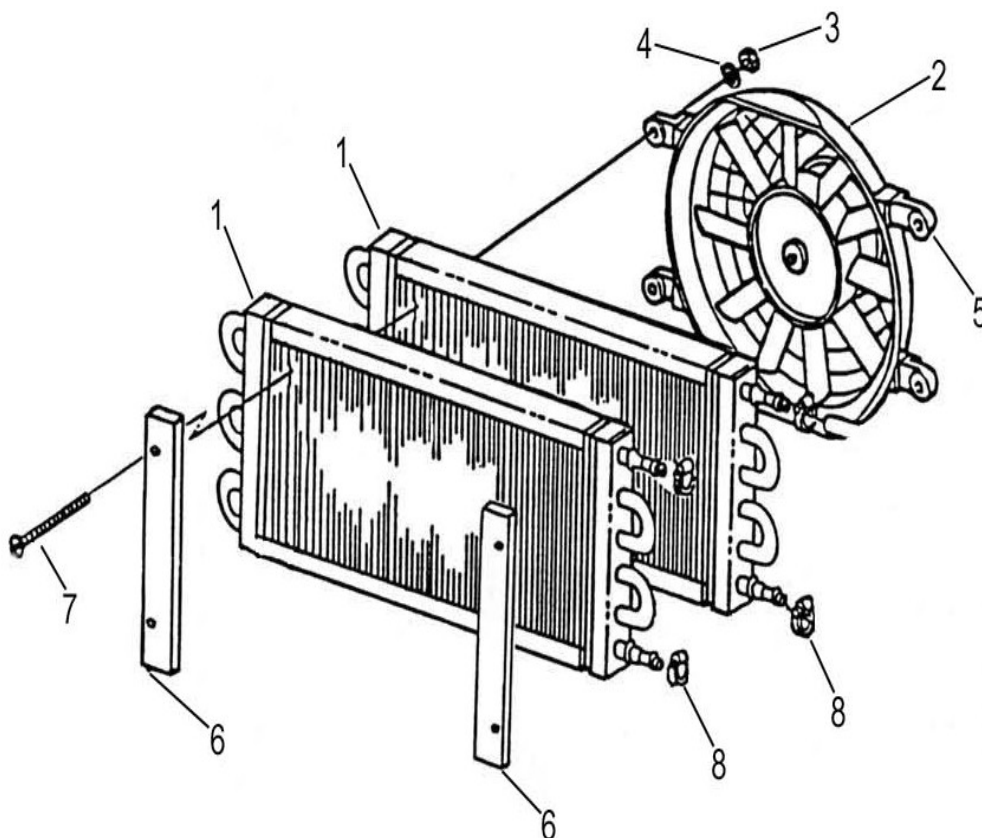
Item	Part Number	Qty	Description
1	A-TT4-00381	1	STEERING BOX
2	NPN	4	SCREW-HEX CAP-7/16-14 X 2 GR8
3	A-TT4-00382	1	PITTMAN ARM
4	NPN	1	WASHER-LOCK-3/4
5	NPN	1	NUT-LOW-3/4-10
6	A-TT4-00386	1	DRAG LINK
7	NPN*	2	COTTER PIN 1/8 X 1 ½
8	NPN*	2	NUT-TIE ROD ½-20
9	A-TT4-00389	1	UNIVERSAL COUPLER
10	A-TT4-00390	1	SHAFT COUPLING
11	A-TT4-00391	1	UNIVERSAL JOINT
12	NPN	2	LOCKING BOLT-DOG POINT 3/8-16
13	A-TT4-00393	4	GIBB KEY
14	A-TT4-00394-1	1	STEERING SHAFT
15	A-TT4-00395	2	BEARING
16	A-TT4-00396	2	2 1/8" U-BOLT 3/8" HD
17	NPN**	4	WASHER-FLAT-5/16
18	NPN**	4	NUT-LOCK-5/16-18
19	A-TT4-00399-1	1	STEERING WHEEL
20	N/A	1	SCREW-HEX CAP-3/8-24 X 1
21	A-TT4-00401-1	1	COVER PLATE
22	A-TT4-00402	1	TIE ROD END L/H
23	A-TT4-00403	1	TIE ROD END R/H
24	A-TT4-00404	1	STEERING TUBE
25	A-TT4-00405	4	SPACERS
26	A-TT4-00406	1	3/4-16 NUT-JAM-L/H
27	A-TT4-00407	1	3/4-16 NUT-JAM-R/H
28	A-TT4-00212	1	HIGH PRESSURE EXTENDER
29	A-TT4-00204	1	RETURN LINE EXTENDER
* 7 & 8 NOT SOLD SEPERATELY - INCLUDED IN PART # 22 & 23			
** PARTS INCLUDED IN PART # 16			

***Part number A-TT4-00399 has been discontinued. If you require this part you will need to order items 19, 14, 15 and 21 to retrofit your tug to current available parts.

NOTES:

TRANSMISSION

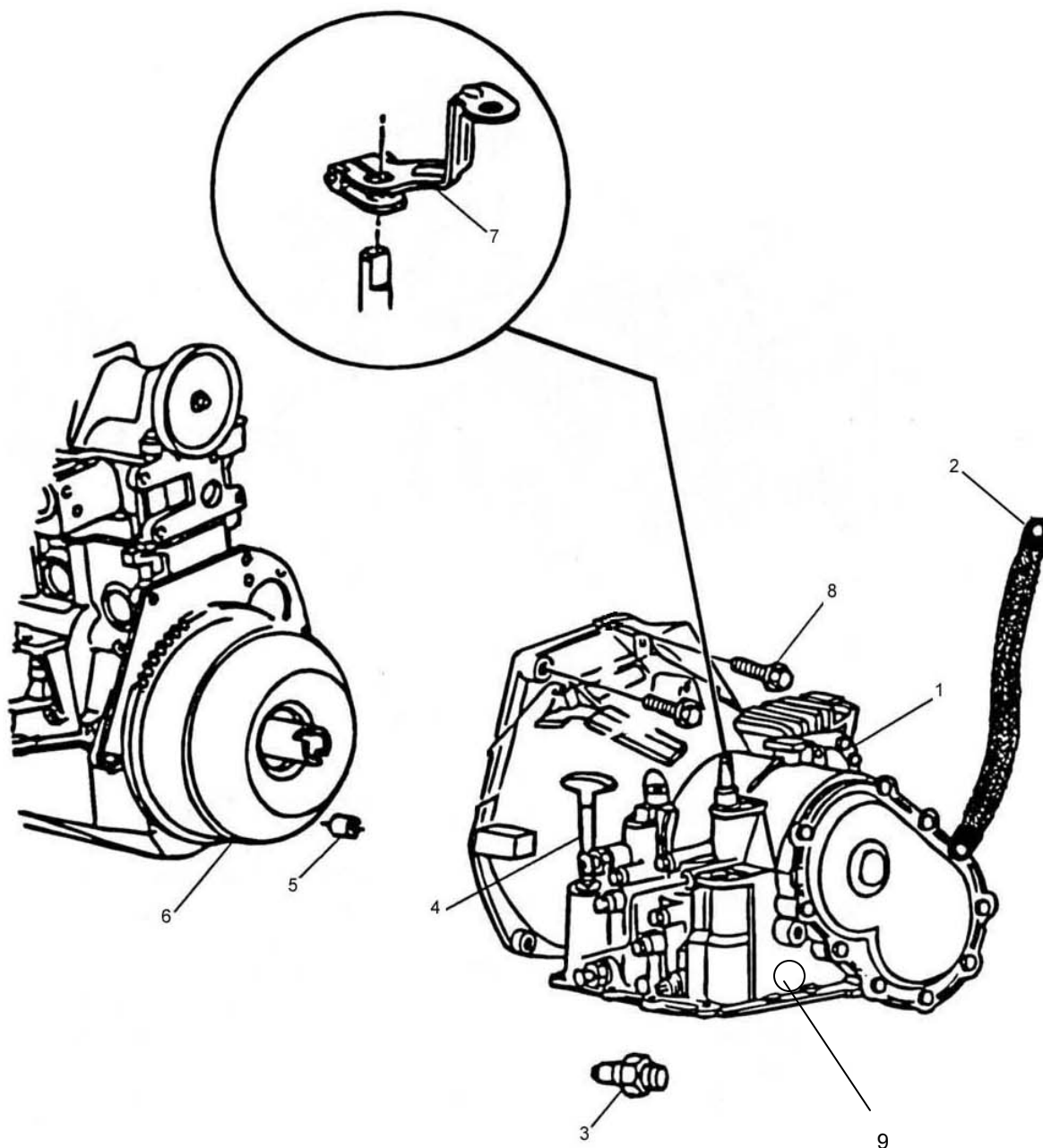
COOLING SYSTEM— TRANSMISSION



Item	Part Number	Qty.	Description
1	A-TT4-00221-1	1	TRANSMISSION COOLER
2	A-TT4-00312-1	1	FAN
3	NPN	4	NUT 10-32
4	NPN	4	WASHER #10
5	NPN	4	SCREW-HEX CAP 10-32 X 2
6	A-TT4-00224	2	BRACKET FAN MOUNTING
7	A-TT4-00225	1	WIRE MESH
8	A-TT4-00205	4	HOSE CLAMP
9	NPN	2	HOSE 3/8

TRANSMISSION

TRANSAXLE MOUNTING & MISC. PARTS (ALL TT 4-8 MODELS)



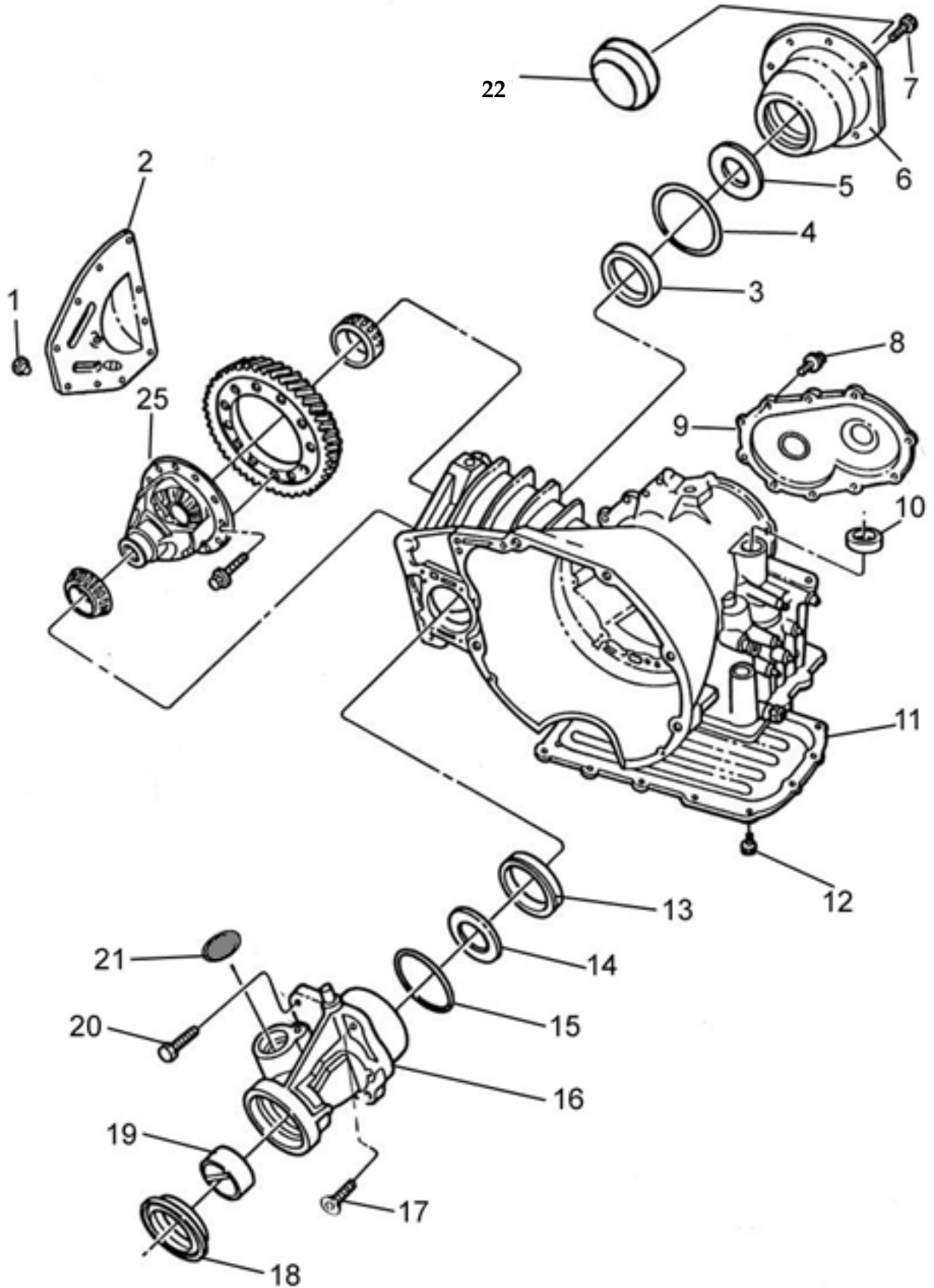
TRANSMISSION

TRANSAXLE MOUNTING & MISC. PARTS (ALL TT 4-8 MODELS)

Item	Part Number	Qty	Description
1	A-TT5D-0018-1	1	TRANSMISSION
2	A-TN4-00707	1	GROUND STRAP
3	3747361	1	SWITCH-NEUTRAL STARTER & BACK UP LIGHT
4	4856444	1	DIPSTICK-TRANMISSION FLUID
5	5240849	2	DOWEL PIN-TRANS TO ENGINE ALIGNMENT
6	4778718	1	TORQUE CONVERTER
7	A-TT4-00419	1	TRANSAXLE SHIFT LEVER-MANUAL CONTROL
8	6501741	2	SCREW-HEX CAP-WITH WASHER M12-1.75 X 30
9	85705	1	GASKET & FILTER MAINTENANCE PACKAGE
10	2926502	1	PLUG-TRANS NEUTRAL SWITCH(NOT SHOWN)

TRANSMISSION

TRANSAXLE CASE EXTENTION & RETAINER (ALL TT 4-8 MODELS)



TRANSMISSION

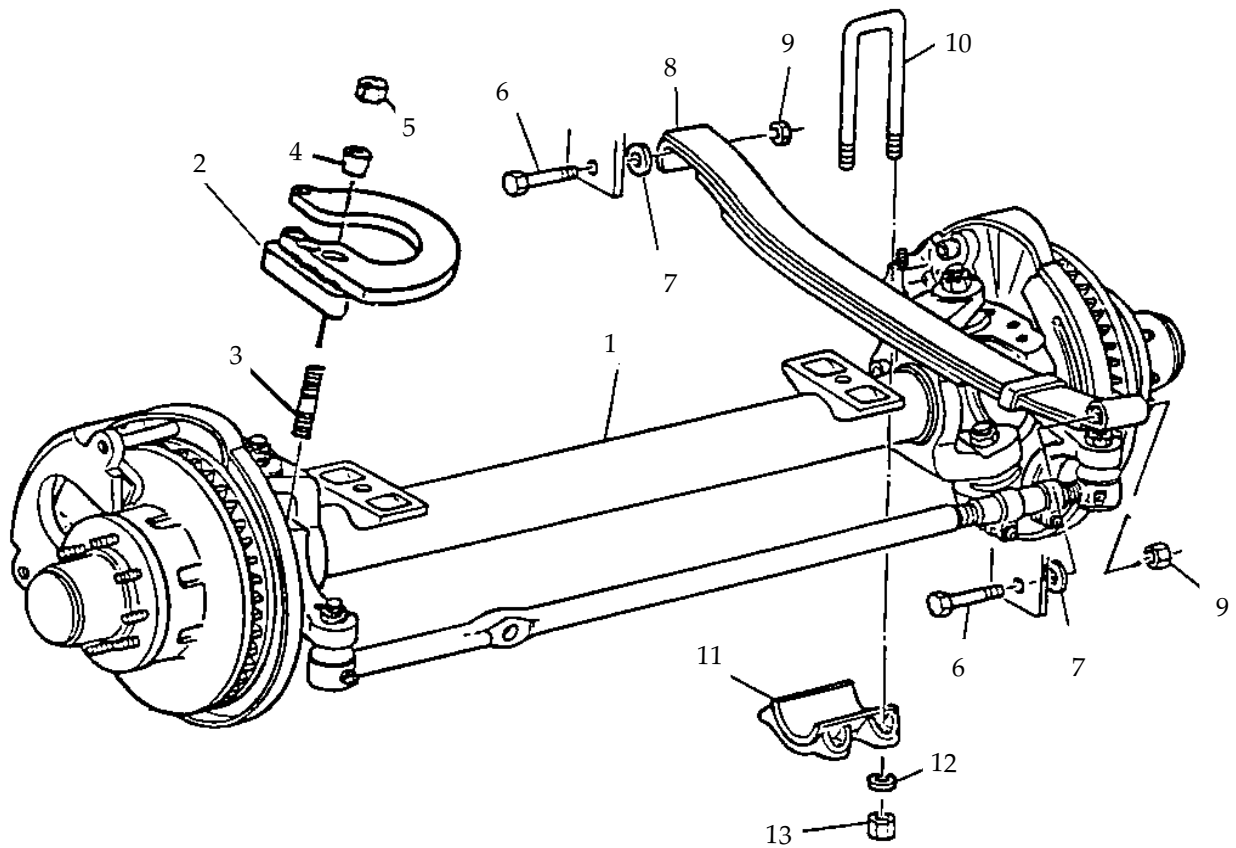
TRANSAXLE CASE EXTENTION & RETAINER (ALL TT 4-8 MODELS)

Item	Part Number	Qty	Description
1	6501474	10	SCREW-HEX CAP-WASH M8-1.25 X 16
2	4471573	1	PAN
3	NPN	1	CUP(NOT SOLD SEPARATELY)
4	4504568	1	SPACER KIT
5	4269787	1	RETAINER, OIL
6	4329829	1	RETAINER, BEARING
	6500368	6	SCREW-HEX CAP-M8 X 1.25 X 23
7	NPN	6	SCREW-HEX CAP-WASH HEAD M8-1.25 X 2
8	NPN	10	SCREW-HEX CAP M8-1.25 X 15
9	4659342	1	COVER, TRANS. END
	82180	1	RTV SEALANT
	6501474	10	SCREW-HEX CAP WASH M8-1.25 X 16
10	3878447	1	SEAL, MANUAL VALVE SHAFT
11	4471573	1	PAN, TRANSAXLE OIL
12	6501474	12	SCREW-HEX CAP WASH M8-1.25 X 16
	6101285	1	SCREW-HEX CAP-WASH M6-1 X 16
13	4567022	1	CUP
14	4567494	1	RETAINER
15	6500111	1	O-RING
16	A-TT5D-00011-MOD	1	*TRANSMISSION CONE
	6500511	4	SCREW-HEX CAP-WASH M8-1.25 X 33
17	NPN	2	M8 HEX HEAD SCREW
18	4412522	1	SEAL
19	NPN	1	BUSHING (SERVICED IN EXT.)
20	NPN	4	SCREW-HEX CAP WASH HEAD M8-1.25 X 30
21	A-TT4-00658	1	TRANS EXP PLUG
22	A-TT4-00657	1	TRANSMISSION PLUG (2WD ONLY)

*PLEASE HAVE TUG MODEL AND SERIAL NUMBER AVAILABLE WHEN ORDERING THIS PART

AXLES

AXLE ASSEMBLY—FRONT NON-DRIVE TT4-TT6 2WD ONLY

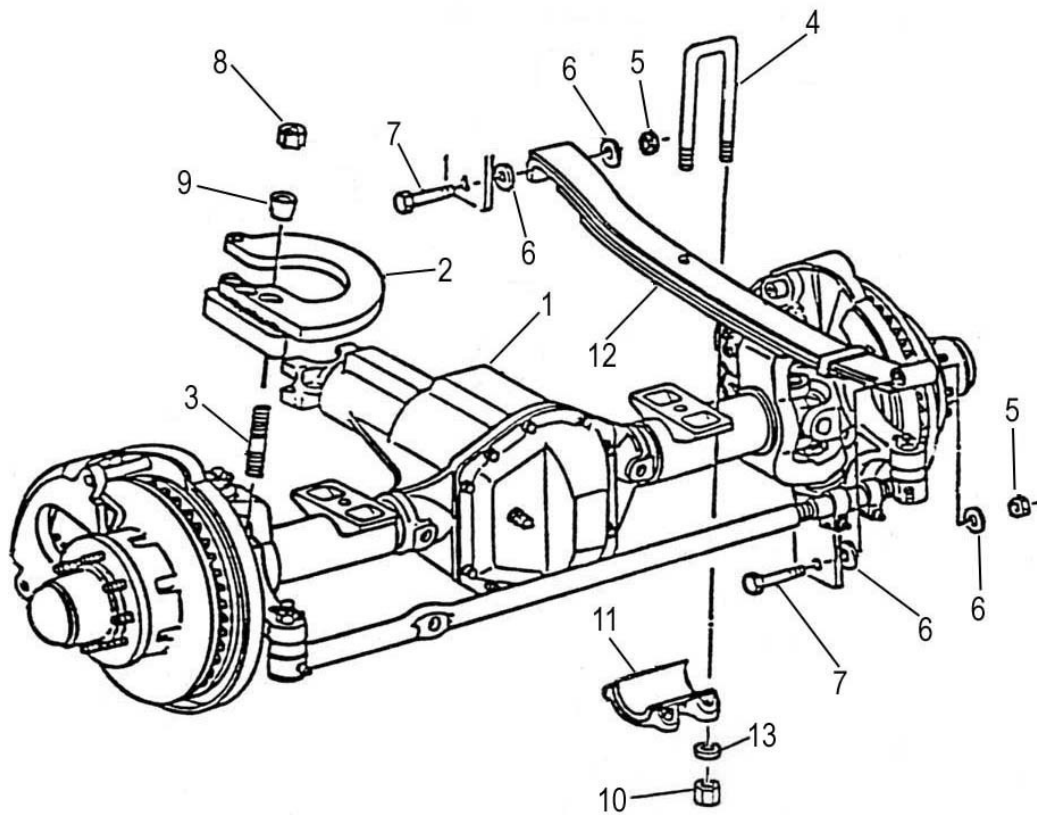


Item	Part Number	Qty	Description
1	A-TT4-00111	1	AXLE ASSY-FRONT NON-DRIVE
2	C-TT4-00113-1-MACH	1	STEERING ARM - TT4-6 2WD
3	A-TT8-00115	3	STUD-STEERING ARM
4	3965138	3	BUSHING
5	NPN	3	9/16-18 GR8 HEX NUT
6	NPN	4	SCREW-HEX CAP 3/8-16X3.5
7	A-TT4-00119	12	NYLON WASHER
8	A-TT4-00116	2	LEAF SPRING
9	NPN	8	3/8-16 LOCK NUT
10	A-TT4-00362-1	4	U-BOLT KIT
11	A-TT4-00363*	2	AXLE CLAMP PLATE*
12	A-TT4-00366**	8	WASHER, U-BOLT

**INCLUDED IN U-BOLT KIT

AXLES

AXLE ASSEMBLY – FRONT DRIVE (ALL WHEEL DRIVE)

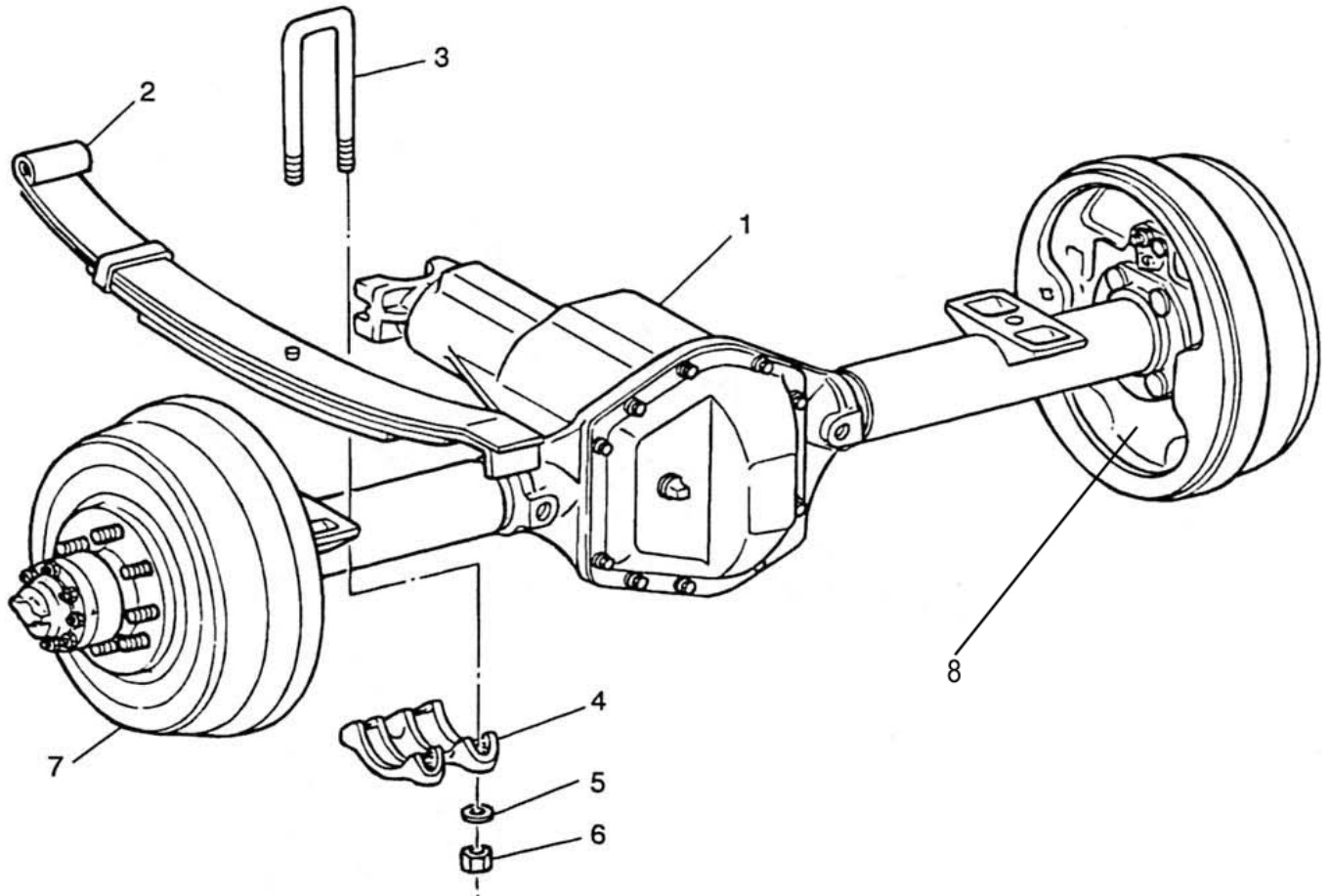


Item	Part Number	Qty.	Description
1	A-TT8-00371	1	FRONT DRIVE AXLE ASSEMBLY
2	C-TT4-00113-2-MACH	1	STEERING ARM - TT4-TT8/2 AWD
3	A-TT8-00115	3	STUD - STEERING ARM
4	A-TT4-00362-1	4	KIT
5	NPN	4	3/8X16 LOCK NUT
6	A-TT4-00119	8	NYLON WASHER
7	NPN	4	SCREW-HEX CAP 3/8-16X3.5
8	NPN	3	NUT 9/16-18 GR8
9	3965138	3	BUSHING
10	A-TT4-00365*	8	NUT, U-BOLT
11	A-TT4-00118-3	2	MACHINED AXLE CLAMP PLATE
12	A-TT4-00116	2	LEAF SPRING
13	A-TT4-00366*	8	WASHER, U-BOLT

**INCLUDED IN U-BOLT KIT

AXLES

AXLE ASSEMBLY— REAR (ALL TT 4-8 MODELS)



Item	Part Number	Qty	Description
1	A-TT4-00361**	1	REAR AXLE ASSEMBLY
2	A-TT4-00116	2	LEAF SPRING
3	A-TT4-00362-1	4	U-BOLT KIT
4	A-TT4-00363	2	AXLE CLAMP PLATE
5	A-TT4-00366*	8	WASHER
6	A-TT4-00365*	8	NUT
7	4313905	1	LEFT HANDBACKING PLATE
8	4313904	1	RIGHT HANDBACKING PLATE

*INCLUDED IN U-BOLT KIT

**CALL EAGLE TUGS FOR INFORMATION IF YOUR TUG IS EQUIPPED WITH LIMITED SLIP

AXLES

RECOMMENDED TORQUE SPECIFICATIONS FOR DANA 44 AXLE (FRONT)

POSITION	THREAD	WRENCH TORQUE (LBS.-FT)
Drive Pinion Nut	3/4 - 16	175-225
Differential Bearing Cup Cap Screws	1/2 - 13	70-90
Ring Gear Cap Screws	3/8 - 24	45-65
Cover Screws	5/16 - 18	28-33 (Note A)
Axle Shaft Bearing & Brake Retainer Nuts	3/8 - 24	40-50
Spindle Mounting Nuts	3/8 - 24	20-30
Spindle Mounting Nuts	3/8 - 24	65-75 (Note A)
Spindle Mounting Nuts	7/16 - 20	50-60
Tie Rod Stud Nut	1/2 - 20	35 Min (Note B)
Tie Rod Stud Nut	9/16 - 18	35 Min (Note B)
Tie Rod Clamp Nuts	3/8 - 24	15-25
Tie Rod Clamp Nuts	7/16 - 20	25-40
Steering Arm Nuts	9/16 / 18	80-100
Steering Bolt Stop Screw & Jam Nut	3/8 - 24	10-20

RECOMMENDED TORQUE SPECIFICATIONS FOR DANA 60 AXLE (REAR)

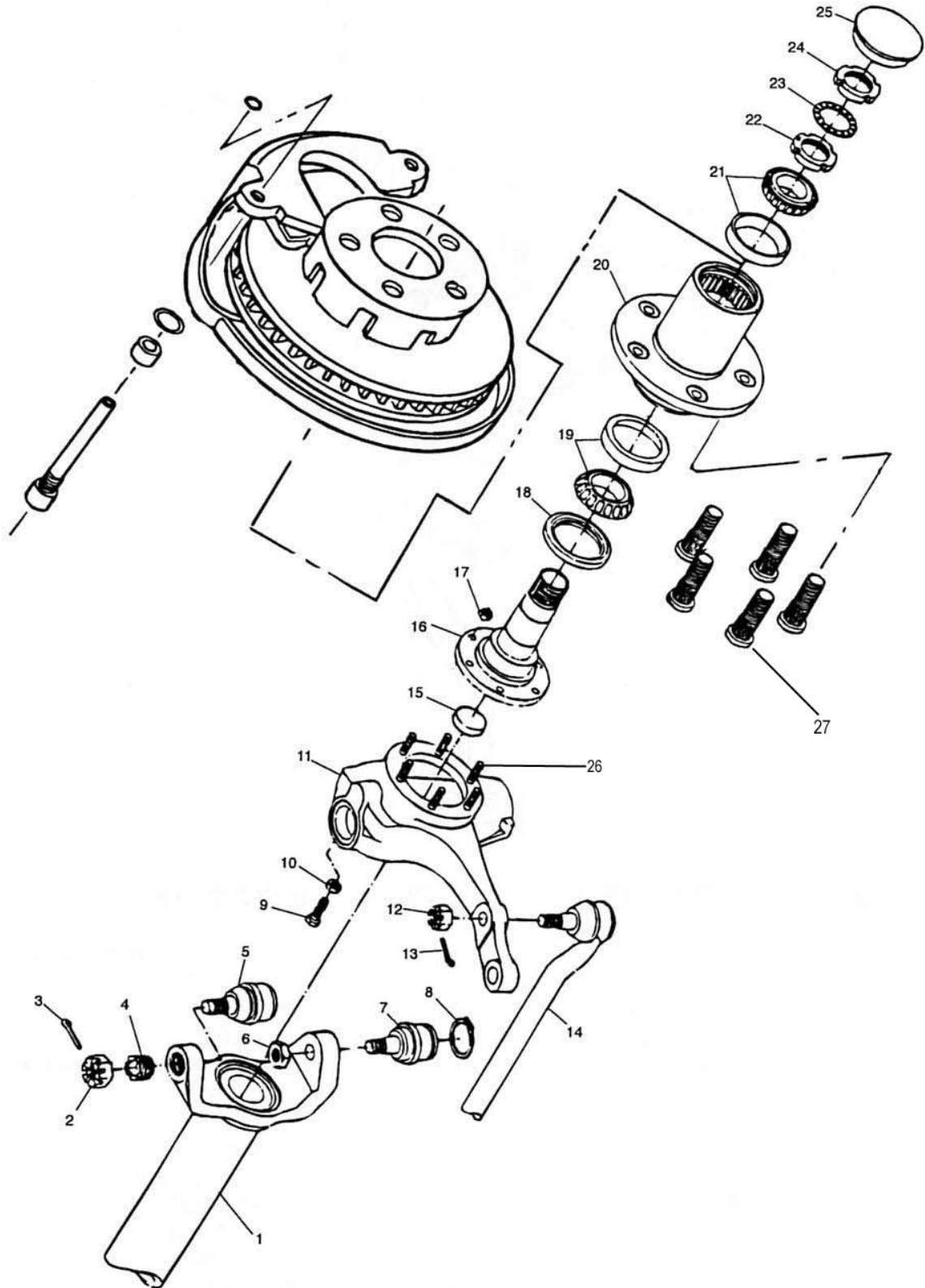
POSITION	THREAD	WRENCH TORQUE (LBS.-FT)
Drive Pinion Nut	7/8 - 14	240-300
Differential Bearing Cup Cap Screws	1/2 - 13	70-90
Ring Gear Cap Screws	1/2 - 20	100-120
Ring Gear Cap Screws	1/2 - 20	120-14 (Note A)
Cover Screws	3/8 - 16	30-40
Brake Retainer Nuts	7/16 - 20	64-70
Axle Shaft Flange Nuts	7/16 - 20	64-70
Upper Kingpin	1 1/8 - 12	500-600
Kingpin Cap Cap Screws	1/2 - 20	70-90
Spindle Mounting Nuts	1/2 - 20	60-80
Tie Rod Stud Nut	5/8 - 18	70 Min (Note B)
Tie Rod Clamp Nuts	1/2 - 20	35-45
Steering Arm Nuts	1/2 - 20	70-90
Steering Bolt Stop Screw & Jam Nut	1/2 - 20	10-20

A. For Grade 9 fastener with locking serrations on underside of cap screw head or nut.

B. If cotter pin cannot be installed after minimum torque is attained, the nut must be advanced until cotter pin can be installed.

AXLES

AXLE ASSEMBLY BREAKDOWN — FRONT NON-DRIVE (2WD)



AXLES

AXLE ASSEMBLY BREAKDOWN –FRONT NON-DRIVE (2WD)

Item	Part Number	Qty	Description
1	29775-29X	1	TUBE ASSEMBLY
2	44101	2	NUT-SLOTTED
3	500024-8	2	PIN-COTTER
4	35417	2	RING-ADJUSTING
5	40112	1	SOCKET ASSEMBLY UPPER
6	35566	2	NUT-LOCK
7	40113	1	SOCKET ASSEMBLY LOWER
8	35928	1	RING-SNAP
9	31026-1	2	BOLT-STOP
10	500381-3	2	NUT-JAM
11	706652X	KIT	STEERING KNUCKLE R/H INCLUDES ITEMS 33-39 & 42
11	706653X	KIT	STEERING KNUCKLE L/H INCLUDES ITEMS 33-39 & 42
12	44101	2	NUT-SLOTTED
13	500024-6	2	PIN-COTTER
14	044TR115-16X	1	TIE ROD ASSEMBLY
15	36544	2	PLUG-CAP
16	38428	2	SPINDLE-WHEEL BEARING
17	35704	12	NUT-LOCK
18	36361	2	SEAL-LOCK
19	706690-X	KIT	INNER WHEEL BEARING
20	044HU103	2	HUB & ROTOR ASSEMBLY
21	706111-X	KIT	OUTER WHEEL BEARING
22	21588X	2	SPINDLE NUT
23	36569	2	LK WASHER-WHEEL BRG NUT
24	31139	2	NUT-SPINDLE
25	31552	2	CAP-HUB
26	36326-2	6	STUD STEERING KNUCKLE
N/S	044WC101-2	1	CALIPER ASSEMBLY R/H
N/S	044WC101-1	1	CALIPER ASSEMBLY L/H
N/S	044WB101-1	1	BRACKET ASSEMBLY-CALIPER L/H
N/S	044WB101-2	1	BRACKER ASSEMBLY-CALIPER R/H
27	610286	8	WHEEL STUDS

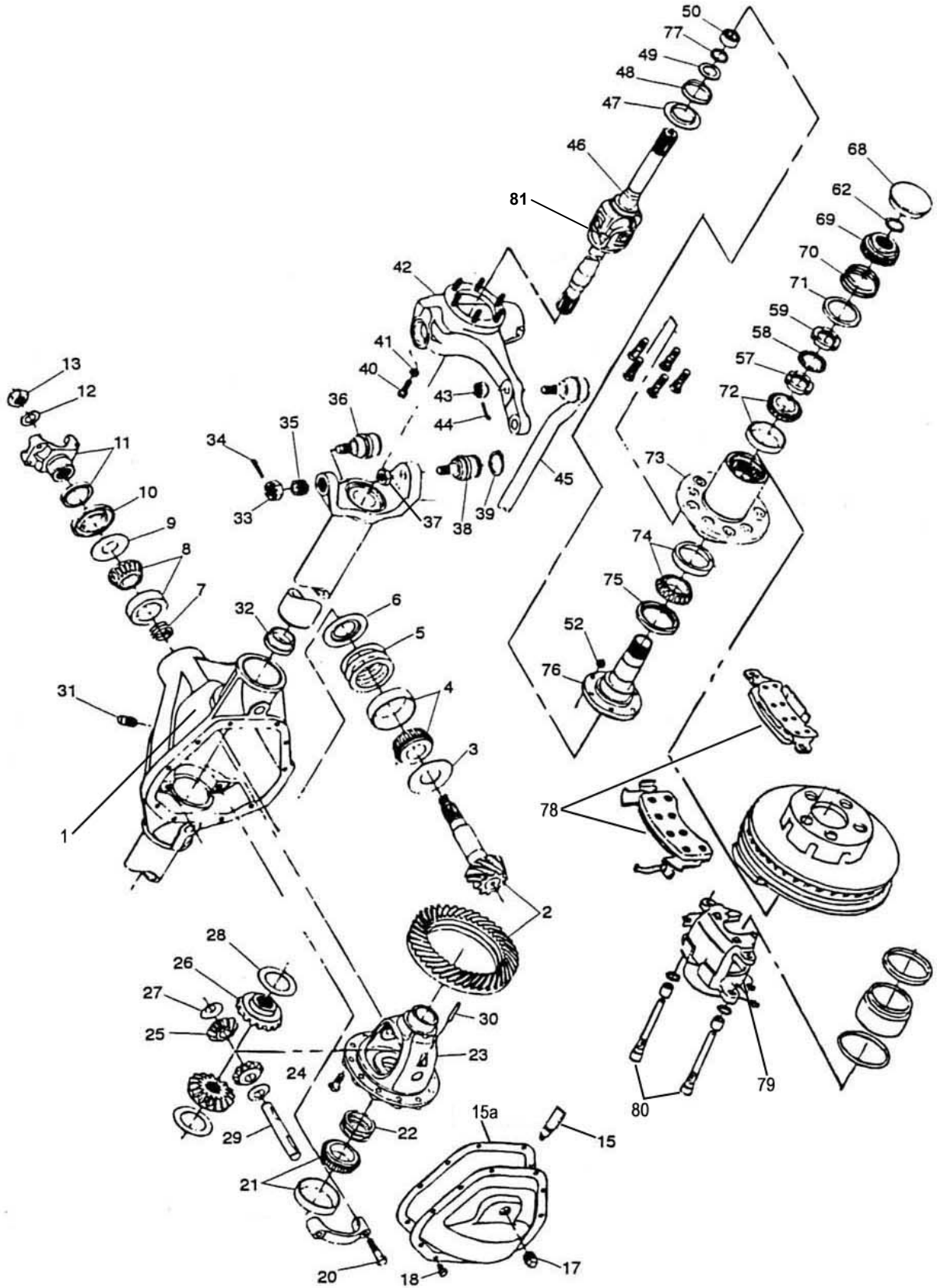
Recommended tools:

OTC 7157 To remove Front Axle Spindle Nut (Dana 44)

OTC 7080 To remove Front Axle Top Ball Joint (Dana 44)

AXLES

AXLE ASSEMBLY BREAKDOWN—FRONT DRIVE (ALL WHEEL DRIVE)



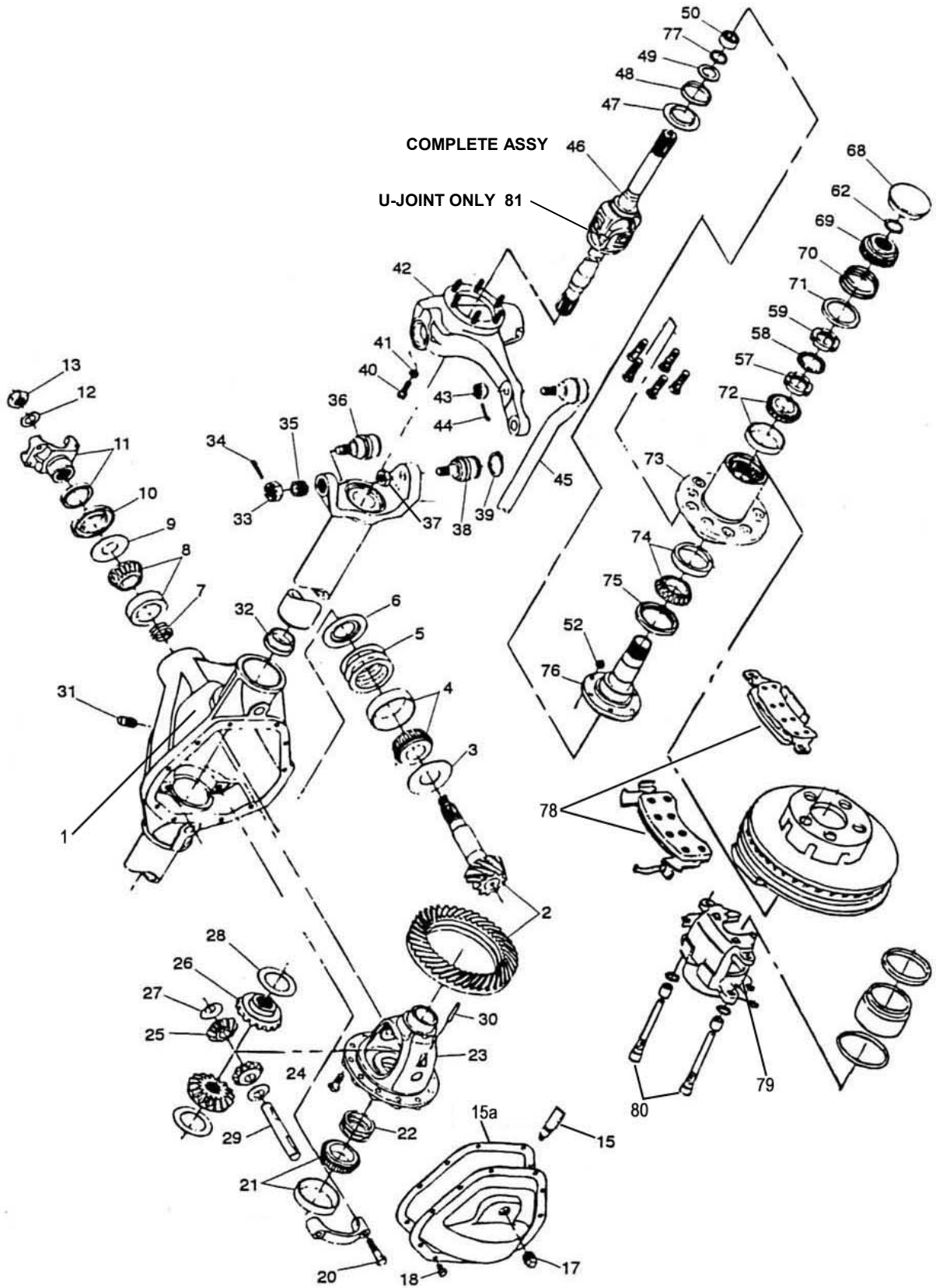
AXLES

AXLE ASSEMBLY BREAKDOWN – FRONT DRIVE (ALL WHEEL DRIVE)

Item	Part Number	Qty	Description
1	A-TT8-00371	1	COMPLETE AXLE ASSEMBLY
2	22404X	1	GEAR & PINION ASSEMBLY
3	30764	1	SLINGER-PINION OIL INNER
4	706031X	KIT	INNER PINION BEARING
5	706617X	KIT	SHIM-PINION ADJ INC ITEMS 5,7,12,13,15,15A
6	30765	1	BAFFLE-PINION OIL
7	706617X	KIT	SEE ITEM 5
8	706030	KIT	OUTER PINION BEARING & RACE
9	13575	1	SLINGER-PINION OIL OUTER
10	39118	1	SEAL-OIL
11	345761X	1	END YOKE ASSEMBLY
12	30186	1	WASHER-PINION NUT
13	30185	1	NUT-PINION
15	82180	AR	RTV SEALANT
15a	34685	1	GASKET
17	36472	1	PLUG-COVER PLATE
18	34279	10	SCREW-FLANGE HD
19	N/A	2	CAP DIFFERENTIAL BEARING
20	48632-1	2	1/2-13 X 2.25 GRD8 HEX BOLT
21	706032X	KIT	DIFFERENTIAL BEARING & RACE
22	706618X	KIT	DIFFERENTIAL SHIM INCLUDES ITEM 22,15
23	25806X	1	CASE-DIFFERENTIAL ASSY
	32684	1	CASE-DIFFERENTIAL
24	41221	10	BOLT-DRIVE GEAR
25	17717	2	PINION-DIFFERENTIAL
26	706027X	2	GEAR-DIFF KIT INC ITEMS 15A & 24-29
27	13338-3	2	THRUST WASHER DIFFERENTIAL PINION
28	32121	2	THRUST WASHER DIFFERENTIAL GEAR
29	39194	1	SHAFT-DIFFERENTIAL
30	13449	1	PIN-ROLL
31	16979	1	VENT
32	36352	2	SEAL & GUIDE-SHAFT
33	44101	2	NUT-SLOTTED
34	500024-8	2	PIN-COTTER
35	35417	2	RING-ADJUSTING
36	40112	1	SOCKET ASSEMBLY-UPPER
37	35566	2	NUT-LOCK
38	40113	1	SOCKET ASSEMBLY-LOWER
39	35928	1	RING-SNAP
40	310026-2	2	BOLT-STOP
41	500381-3	2	NUT-LOCK

AXLES

AXLE ASSEMBLY BREAKDOWN—FRONT DRIVE (ALL WHEEL DRIVE)



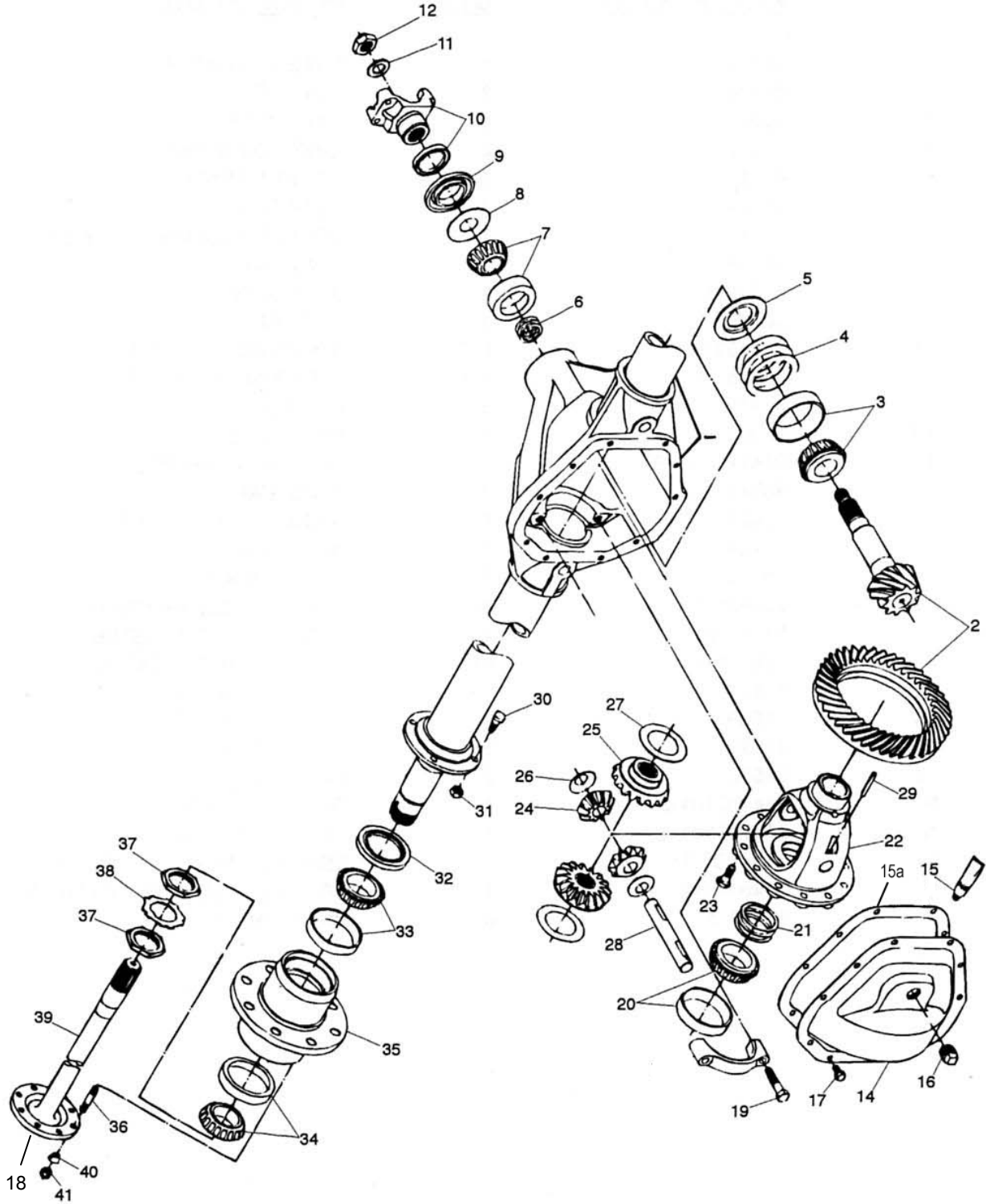
AXLES

AXLE ASSEMBLY BREAKDOWN – FRONT DRIVE (ALL WHEEL DRIVE)

Item	Part Number	Qty	Description
42	706653X	KIT	STEERING KNUCKLE L/H INCLUDES ITEMS 33-39 & 42
42	706652X	KIT	STEERING KNUCKLE R/H INCLUDES ITEMS 33-39 & 42
43	44101	2	NUT-SLOTTED
44	500024-4	2	PIN-COTTER
45	044TR115-16X	1	TIE ROD ASSEMBLY
46	660091-18	2	SHAFT & JOINT ASSY INC ITEM 47
47	36364	1	SLINGER
48	38128	2	SEAL-OIL
49	38106	2	SPACER
50	550759	2	BEARING-NEEDLE
52	35704	12	NUT-LOCK
57	21588X	2	SPINDLE NUT
58	36569	2	LOCK-RETAINING NUT
59	31139	2	NUT-SPINDLE
62	31624	2	RING-SNAP
68	31552	2	CAP-HUB
69	42667	2	GEAR-AXLE DRIVE
70	35218	2	SPRING PRESSURE
71	32589	2	PLATE-SPRING RETAINING
72	706111X	KIT	OUTER WHEEL BEARING & RACE
73	044HU103	2	HUB & ROTOR ASSEMBLY
74	706690-X	KIT	INNER WHEEL BEARING & RACE
75	36366	2	AXLE SEAL
76	706570	KIT	SPINDLE ASSEMBLY INCLUDES ITEMS 48,49,5,77 & 76
	7065227X	KIT	SPINDLE SEAL & BEARING INCLUDES ITEMS 50,77,48 & 49
77	36361	1	SEAL-OIL
78	RD52	1 SET	BRAKE PAD SET
79	18009659	1	CALIPER WITHOUT PADS -R/H
79	18009658	1	CALIPER WITHOUT PADS-L/H
79	044WC101-1	1	CALIPER ASSY WITH PADS L/H
79	044WC101-2	1	CALIPER ASSY WITH PADS R/H

AXLES

AXLE ASSEMBLY BREAKDOWN – REAR DRIVE



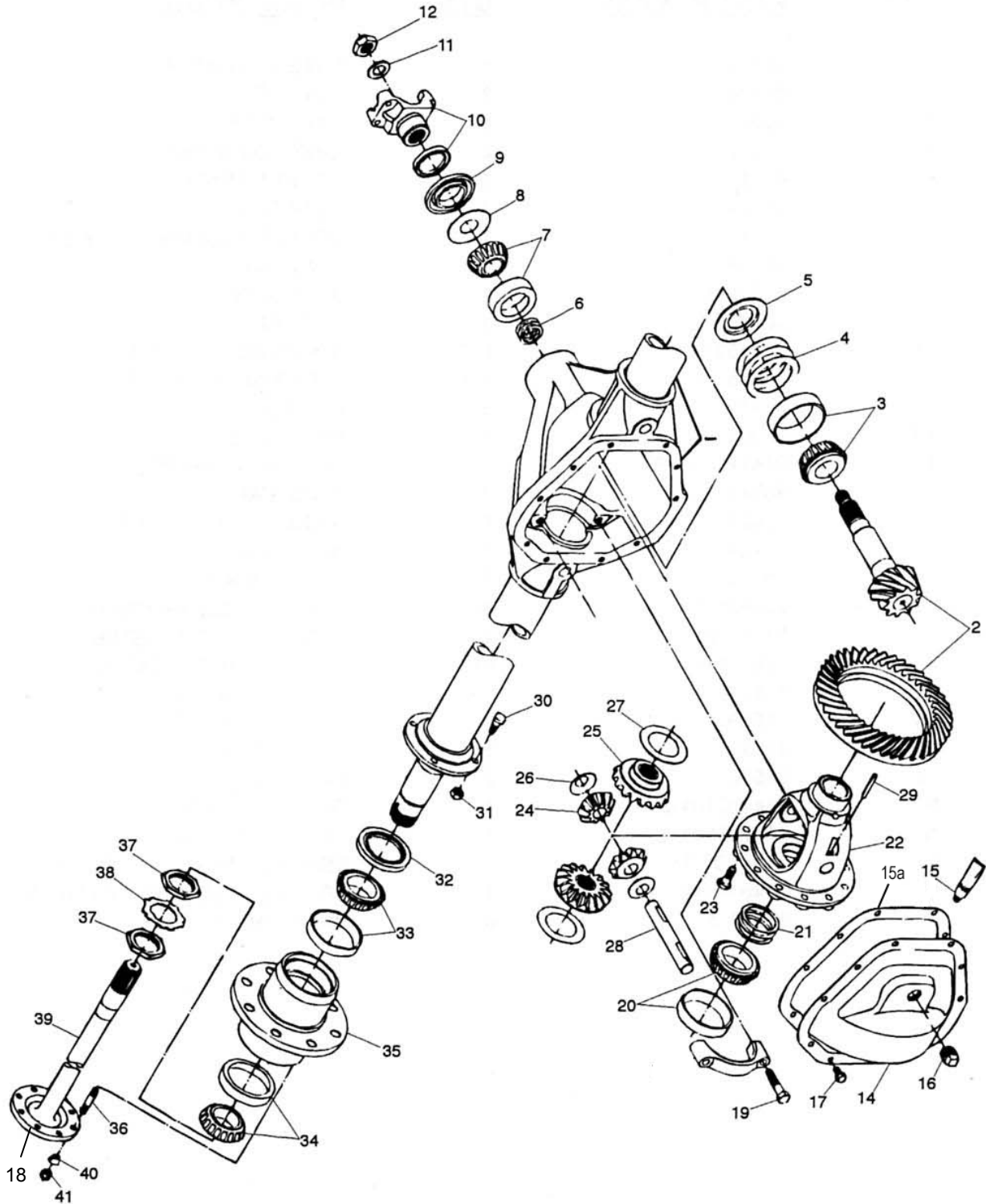
AXLES

AXLE ASSEMBLY BREAKDOWN – REAR DRIVE

Item	Part Number	Qty	Description
	A-TT4-00361	1	COMPLETE AXLE ASSEMBLY
2	706033-10X	KIT	DRIVE GEAR & PINION
3	706046X	KIT	INNER PINION BEARING & RACE
4	706672X	KIT	SHIM-DRIVE PINION ADJUSTING
5	30765	1	BAFFLE-PINION BEARING
6	706672X	KIT	SHIM-PINION BEARING ADJUSTING
7	706045X	KIT	OUTER PINION BEARING & RACE
8	30273	1	SLINGER-PINION BEARING
9	38427	1	SEAL-PINION
10	345731X	1	END YOKE ASSEMBLY
11	30275	1	WASHER-PINION NUT
12	30271	1	NUT-PINION
14	73597	1	COVER ASSEMBLY
15	82180		RTV SEALANT
15a	39697	1	COVER GASKET
16	98785	1	PLUG-PIPE SLOTTED
17	34822	10	SCREW-FLANGE HD
18	39697	1	AXLE SHAFT GASKET
19	48632-1	2	1/2-13 x 2.25 GRD8 BOLT BEARING CAP
20	706047X	KIT	BEARING & RACE
21	706673X	KIT	SHIM-DIFFERENTIAL BEARING
22	706669X	KIT	CASE-DIFFERENTIAL
23	30266	10	BOLT-DRIVE GEAR
24	SEE KIT	KIT	PINION-DIFFERENTIAL
25	SEE KIT	KIT	GEAR-DIFFERENTIAL
26	SEE KIT	KIT	THRUST WASHER-PINION
27	SEE KIT	KIT	THRUST WASHER-GEAR
28	SEE KIT	KIT	SHAFT-DIFFERENTIAL
29	500598-21	1	LOCK-DIFFERENTIAL
30	36253	8	BOLT-BRAKE MANUFACTURING
31	36805	8	NUT-BRAKE MANUFACTURING
32	36240	2	SEAL-OIL
33	706071X	KIT	INNER WHEEL BEARING
34	706072X	KIT	OUTER WHEEL BEARING
35	36241	2	HUB & DRUM ASSEMBLY
36	36847	8	STUD-HUB

AXLES

AXLE ASSEMBLY BREAKDOWN — REAR DRIVE



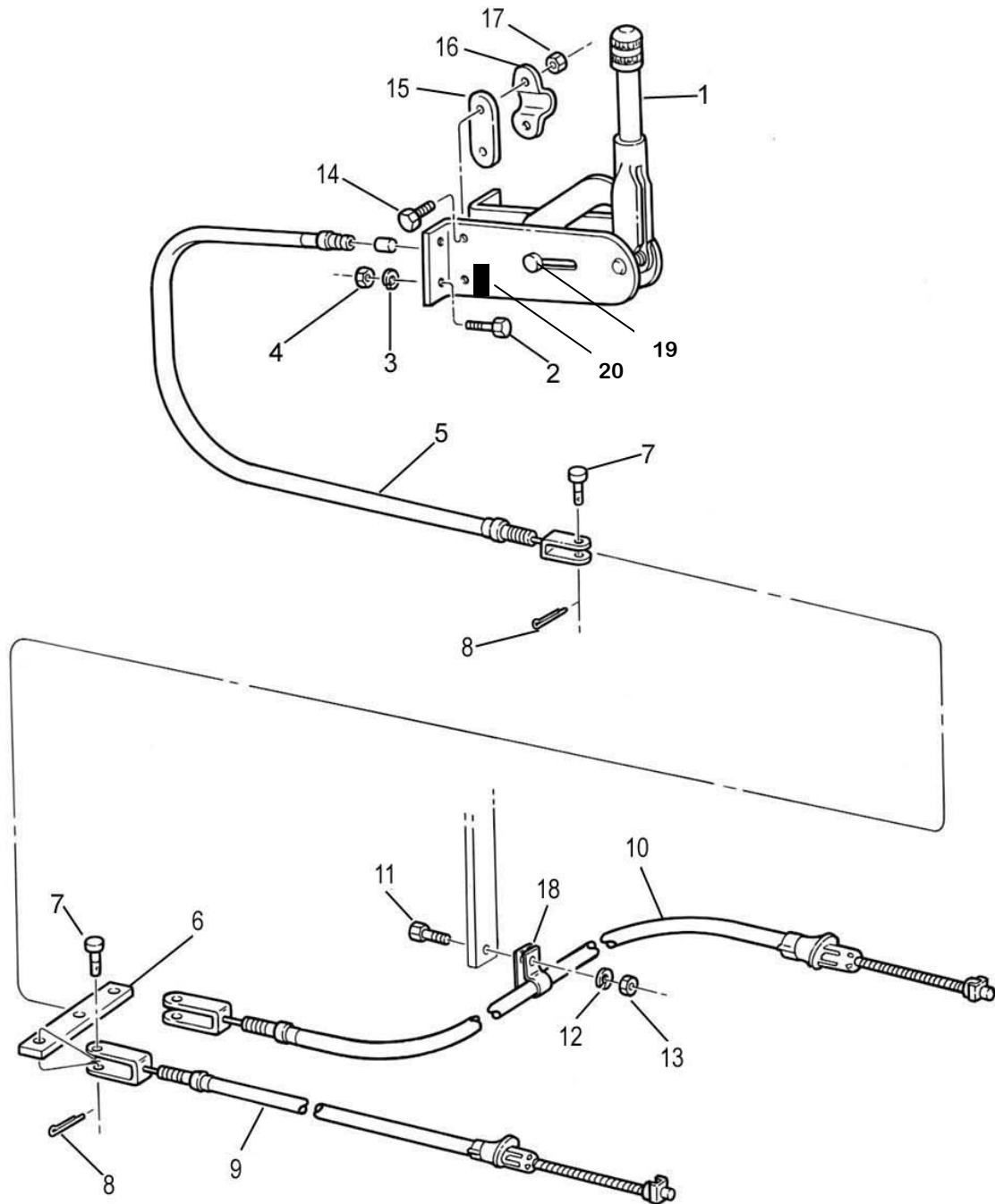
AXLES

AXLE ASSEMBLY BREAKDOWN – REAR DRIVE CONT

Item	Part Number	Qty	Description
37	30636	4	NUT-SPINDLE
38	30637	2	LOCK WASHER WHEEL BEARING
39	34887-7	1	SHAFT-AXLE FLANGE LONG
	34887-10	1	SHAFT-AXLE FLANGE SHORT
40	31534	16	ADAPTER-STUD
41	36805	24	NUT-LOCK
	16979	1	VENT
KIT	706671X	1	DIFF PARTS (STD) INC 15, 21-23, 29
KIT	707084X	1	DIFF PARTS (LTD SLIP) INC 15, 21, 23, 24, 26, 28, 29, 43-48

BRAKES

PARKING BRAKE ACTUATOR ASSEMBLY



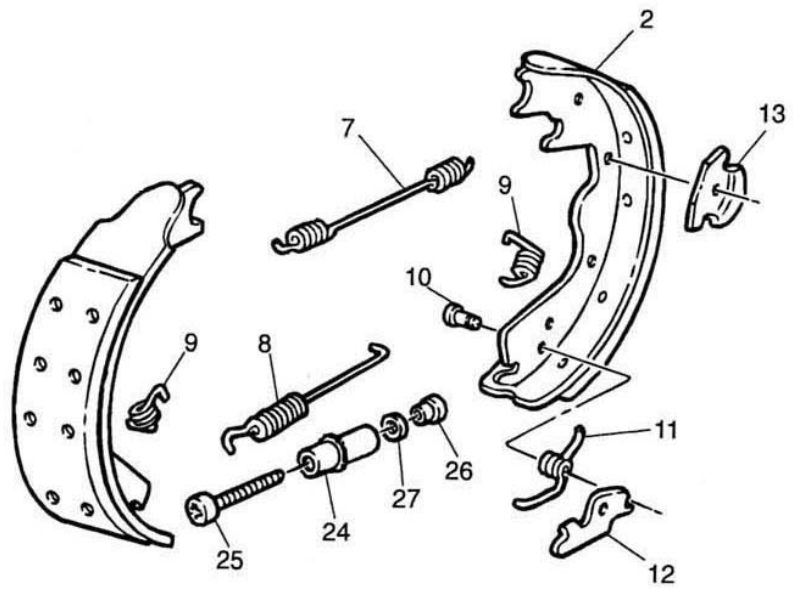
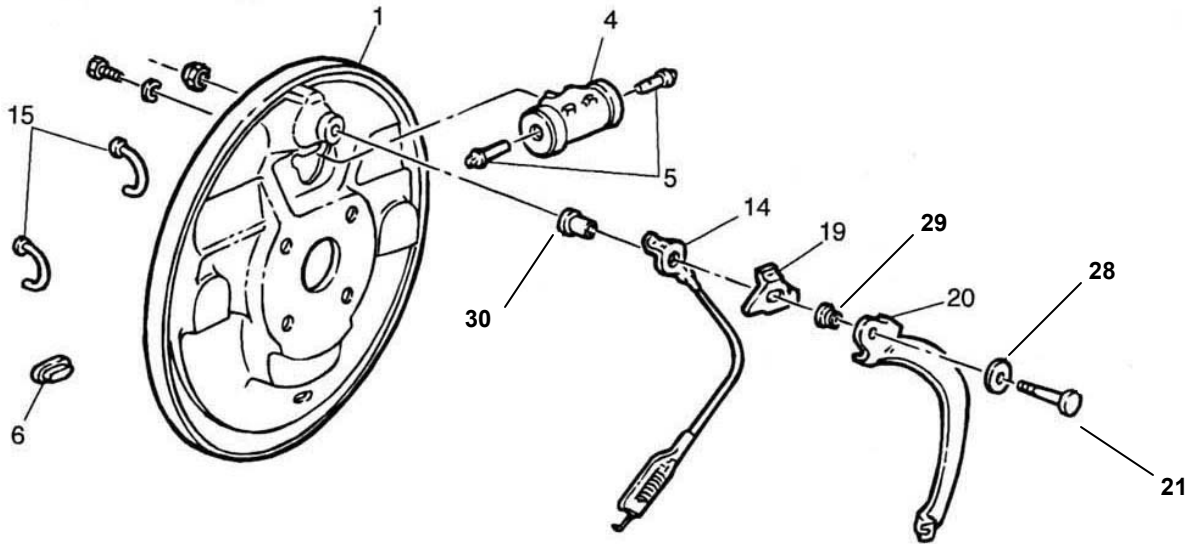
BRAKES

PARKING BRAKE ACTUATOR ASSEMBLY

Item	Part Number	Qty	Description
1	A-TT4-00141	1	HANDBRAKE
2	NPN	4	SCREW-HEX CAP-5/16-18 X 1
3	NPN	4	WASHER-FLAT-5/16
4	NPN	4	NUT-LOCK-5/16-18
5	B-TT4-00145	1	CABLE PRIMARY
6	A-TT4-00146	1	BAR EQUALIZER
7	A-TT4-00193	3	CLEVIS PIN
8	NPN	3	COTTER PIN
9	A-TT4-00151	1	PARKING BRAKE CABLE LEFT REAR
10	A-TT4-00150	1	PARKING BRAKE CABLE RIGHT REAR
11	NPN	1	SCREW-HEX CAP-14-20 X 1
12	NPN	1	WASHER-FLAT-1/4
13	NPN	1	NUT-LOCK-1/4-20
14	NPN	1	SCREW-HEX CAP-1/4-28 X 1
15	NPN	1	CABLE CLAMP PLATE
16	NPN	1	CABLE CLAMP HANDLE
17	NPN	2	NUT-LOCK-1/4-28
18	NPN	2	CABLE CLAMP
19	81008429	1	CONTACT PIN
20	82050000	1	PROXIMITY SENSOR
21	82066700	1	MOUNTING SCREW (NOT SHOWN)
22	AE-OPT-0069	1	HANDBRAKE "ON" WARNING (OPTIONAL)

BRAKES

DRUM BRAKE ASSEMBLY—REAR



BRAKES

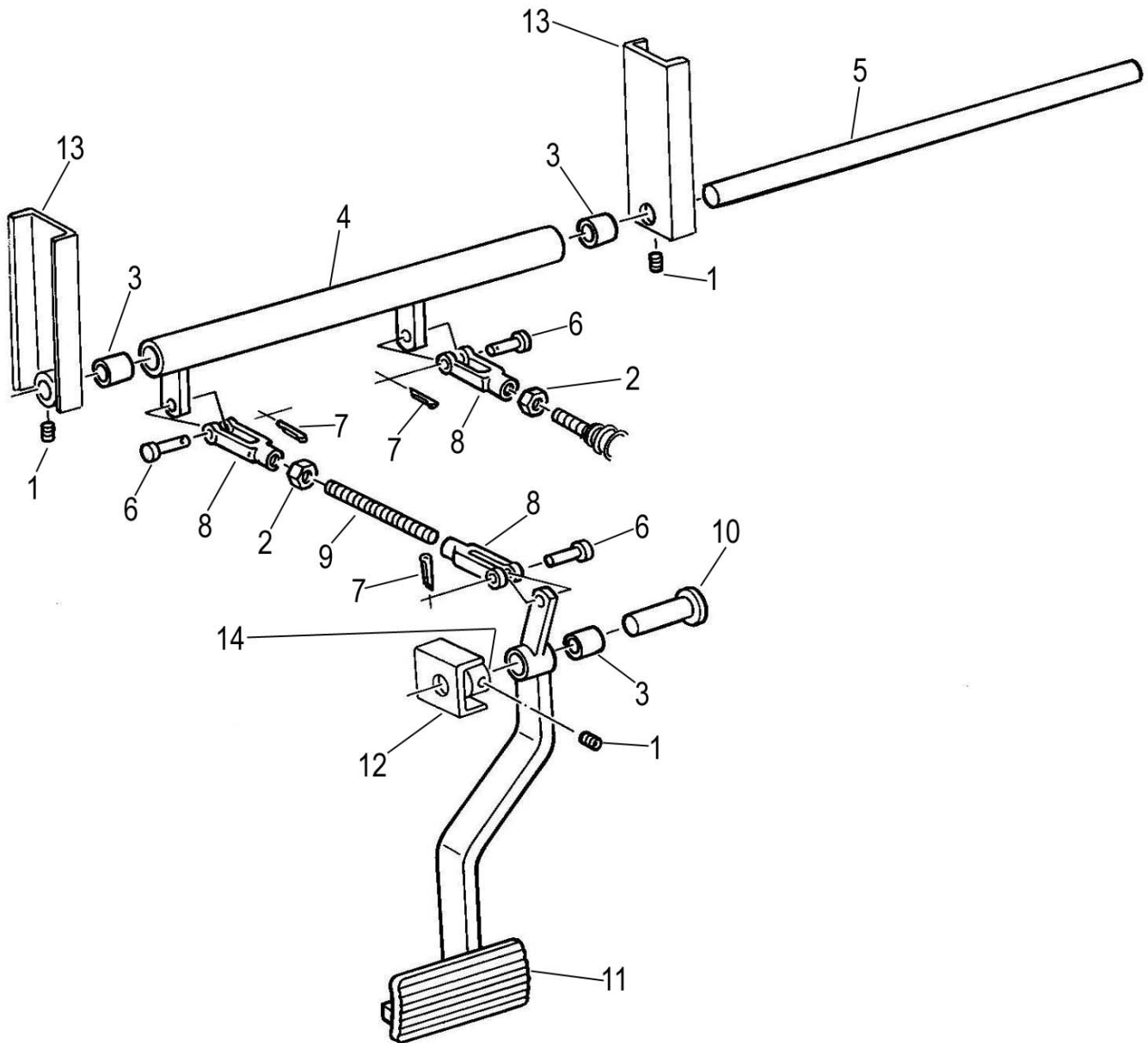
DRUM BRAKE ASSEMBLY—REAR

Item	Part Number	Qty	Description
	060WD101	1	BRAKE ASSEMBLY L/H
	060WD100	1	BRAKE ASSEMBLY R/H
1	4313905	1	BACKING PLATE L/H
1	4313904	1	BACKING PLATE R/H
2	FR357	1 SET	SHOE & LINING SET
4	2235585	1	CYLINDER ASSEMBLY L/H
4	2235586	1	CYLINDER ASSEMBLY R/H
5	315834	2	WHEEL CYLINDERS CONNECTING LINK
6	*SEE KIT BELOW	1	COVER
7	*SEE KIT BELOW	1	SPRING-UPPER
8	*SEE KIT BELOW	1	SPRING-LOWER
9	*SEE KIT BELOW	2	SPRING-HOLD DOWN
10	*SEE KIT BELOW	1	PIN
11	*SEE KIT BELOW	1	SPRING TENSION
12	*SEE KIT BELOW	1	BRAKE ADJUSTING LINK
13	*SEE KIT BELOW	1	CABLE GUIDE
14	*SEE KIT BELOW	1	CABLE ASSEMBLY
15	*SEE KIT BELOW	2	SPRING-HOLD DOWN
19	4383299	1	PARKING BRAKE CAM L/H
19	4383298	1	PARKING BRAKE CAM R/H
20	4383264	1	PARKING BRAKE LEVER (LEFT)
20	4383265	1	PARKING BRAKE LEVER (RIGHT)
21	4419698	1	BRAKE ANCHOR BOLT
24	*SEE KIT BELOW	1	BRAKE ADJUSTING SOCKET L/H
25	*SEE KIT BELOW	1	BRAKE ADJUSTING SCREW L/H
26	*SEE KIT BELOW	1	BRAKE ADJUSTING SOCKET
27	*SEE KIT BELOW	1	WASHER FLAT
28	3492670	1	WASHER
29	3492656	1	SPRING
30	4383600	1	SPACER
KIT	H2588	LEFT	BRAKE ADJUSTING KIT INCLUDES ITEMS 6,10-14,20,24-27
KIT	H2589	RIGHT	BRAKE ADJUSTING KIT INCLUDES ITEMS 6,10-14,20,24-27
KIT	H7146	LEFT OR RIGHT	BRAKE SPRING KIT INCLUDES ITEMS 7-9 & 15

**KIT PARTS NOT SOLD SEPERATELY

BRAKES

BRAKE ACTUATOR ASSEMBLY



BRAKES

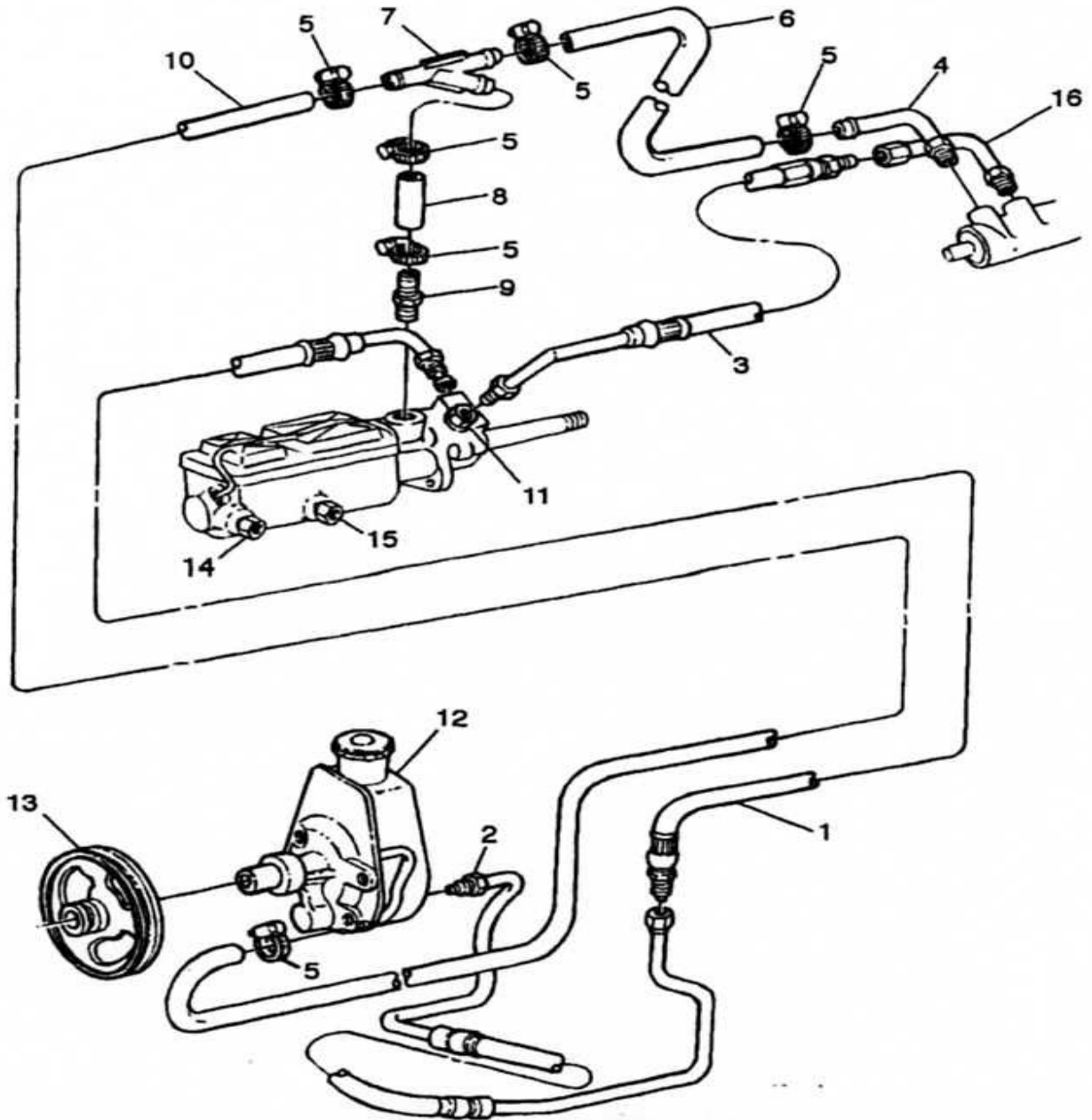
BRAKE ACTUATOR ASSEMBLY

Item	Part Number	Qty	Description
1	NPN	4	¼-20 SET SCREW
2	NPN	2	½-20 NUT
3	C-TT4-10188	3	THOMSON NYLINER BEARING
4	C-TT4-10186	1	BELL CRANK
5	C-TT4-10187	1	BELL CRANK PIVOT SHAFT
6	A-TT4-00193	3	CLEVIS PIN
7	NPN	3	COTTER PIN
8	A-TT4-10192	3	CLEVIS
9	NPN	1	½-20 X 12 ADJUSTING ROD
10	C-TT4-10182	1	BRAKE PEDAL PIVOT SHAFT
11	C-TT4-10181	1	BRAKE PEDAL
12	NPN	1	BRAKE PEDAL PIVOT
13	NPN	2	BELL CRANK STANDOFF
14	A-TT2-0057*	2	SHAFT COLLAR 3/4

* Welded to truck

BRAKES

HYDRAULIC ACUATION SYSTEM



BRAKES

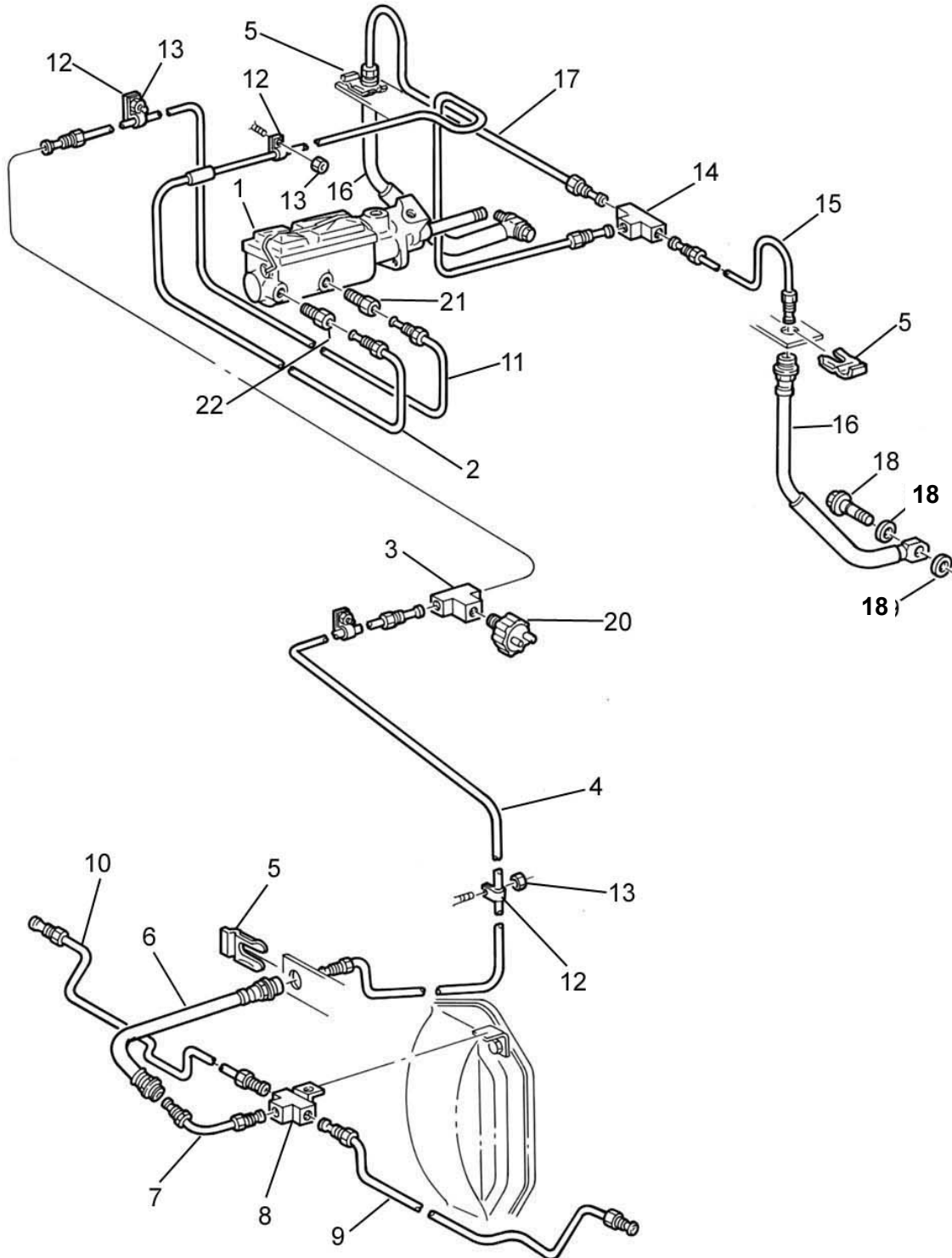
HYDRAULIC ACUATION SYSTEM

ITEM	PART NUMBER	QTY.	DESCRIPTION
1	A-TT4-00201	1	PUMP PRESSURE LINE
2	A-TT4-00202-1	1	PUMP LINE EXTENDER
3	A-TT4D-00212	1	STEERING PRESSURE LINE
4	A-TT4-00204	1	RETURN LINE EXTENDER
5	A-TT4-00205	6	CLAMP
6	A-TT4-00206	1	RETURN LINE 3/8" 350 PSI 36"
7	A-TT4-00207	1	RETURN LINE TEE
8	A-TT4-00208	1	MASTER CYL RETURN LINE 3/8" 350 PSI 4"
9	A-TT4-00209	1	MASTER CYLINDER ADAPTER FITTING
10	A-TT4-00210	1	PUMP RETURN LINE 3/8" 350 PSI 72"
11	A-TT4-00211	1	ADAPTER FITTING
12	5274131	1	POWER STEERING PUMP
13	5214739	1	PULLEY
14	A-TT5-00181	1	FITTING - ADAPTER
15	A-TT5-00180	1	FITTING - ADAPTER
16	A-TT4D-00212	1	HIGH PRESSURE TUBE

*Items 3 and 16 pictures do not reflect actual parts. Parts shown as item 3 and 16 are no longer available and have been replaced by a single part number A-TT4D-00212. Only (1) piece of A-TT4D-00212 is required per tug.

BRAKES

BRAKE SYSTEM—HYDRAULIC



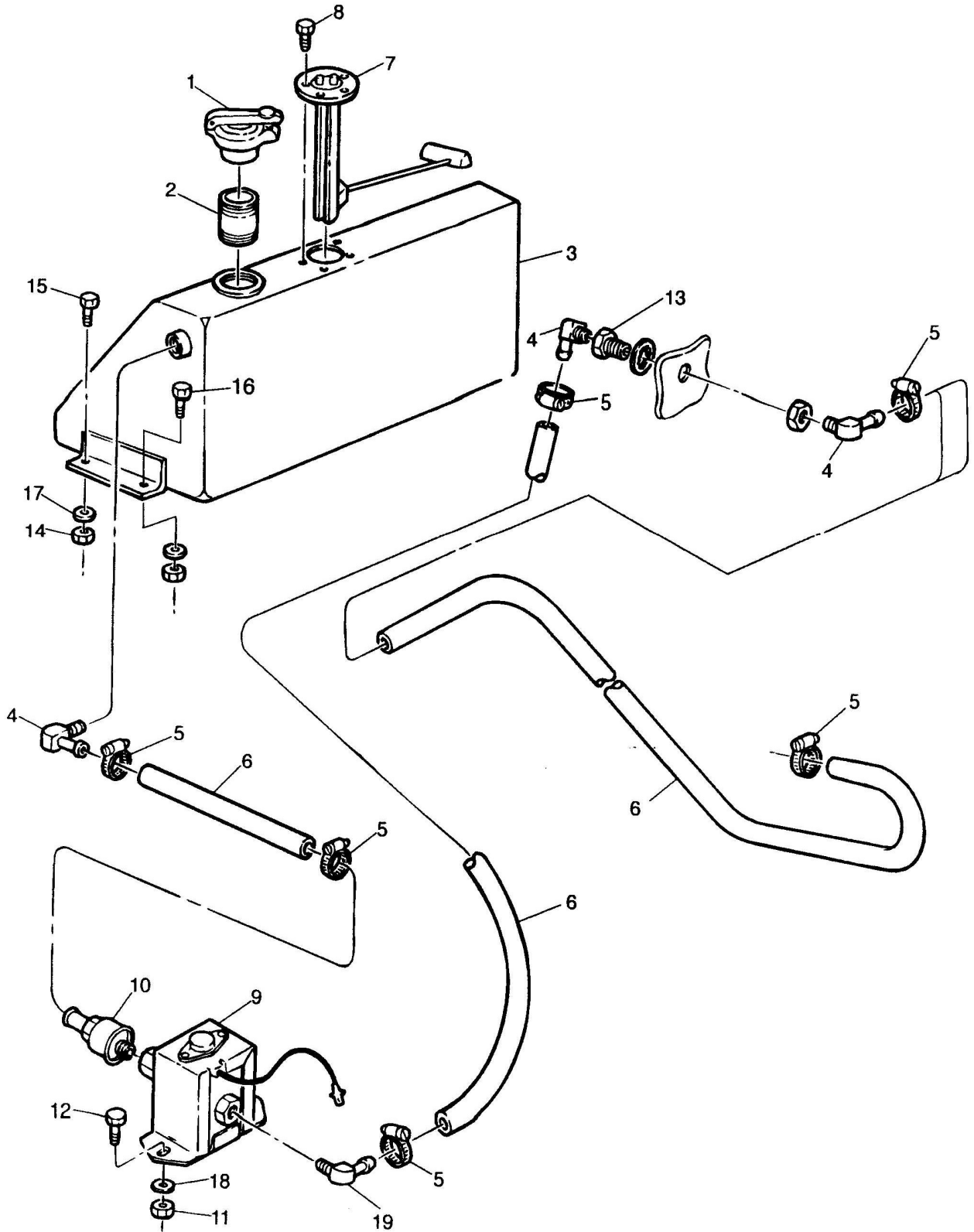
BRAKES

BRAKE SYSEM—HYDRAULIC—DETAIL

Item	Part Number	Qty	Description
1	A-TT4-00161	1	MASTER CYLINDER
2	A-TT4-00162	1	BRAKE LINE MASTER CYLINDER
3	A-TT4-00163	1	BRAKE LIGHT SWITCH TEE
4	A-TT4-00164	1	BRAKE LINE REAR
5	A-TT4-00165	3	BRAKE HOSE CLIP
6	A-TT4-00166	1	BRAKE HOSE REAR
7	A-TT4-00167	1	BRAKE LINE
8	A-TT4-00168	1	CROSS TEE
9	A-TT4-00169	1	BRAKE LINE REAR RT
10	A-TT4-00170	1	BRAKE LINE LEFT REAR
11	A-TT4-00171	1	BRAKE LINE FRONT REAR
12	NPN	4	LINE CLAMP
13	NPN	4	NUT-10-32
14	A-TT4-00174	1	CROSS TEE
15	A-TT4-00175	1	BRAKE LINE FRONT RIGHT
16	A-TT4-00176-1	2	CALIPER BRAKE LINE
17	A-TT4-00177	1	BRAKE LINE FRONT LEFT
18	A-TT4-00178	2	BANJO BOLT WASHER KIT
20	A-TT4-00173	1	BRAKE LIGHT SWITCH
21	A-TT5-00180	1	FITTING-MASTER CYLINDER ADAPTER
22	A-TT5-00181	1	FITTING-MASTER CYLINDER ADAPTER

FUEL SYSTEM

FUEL SYSTEM



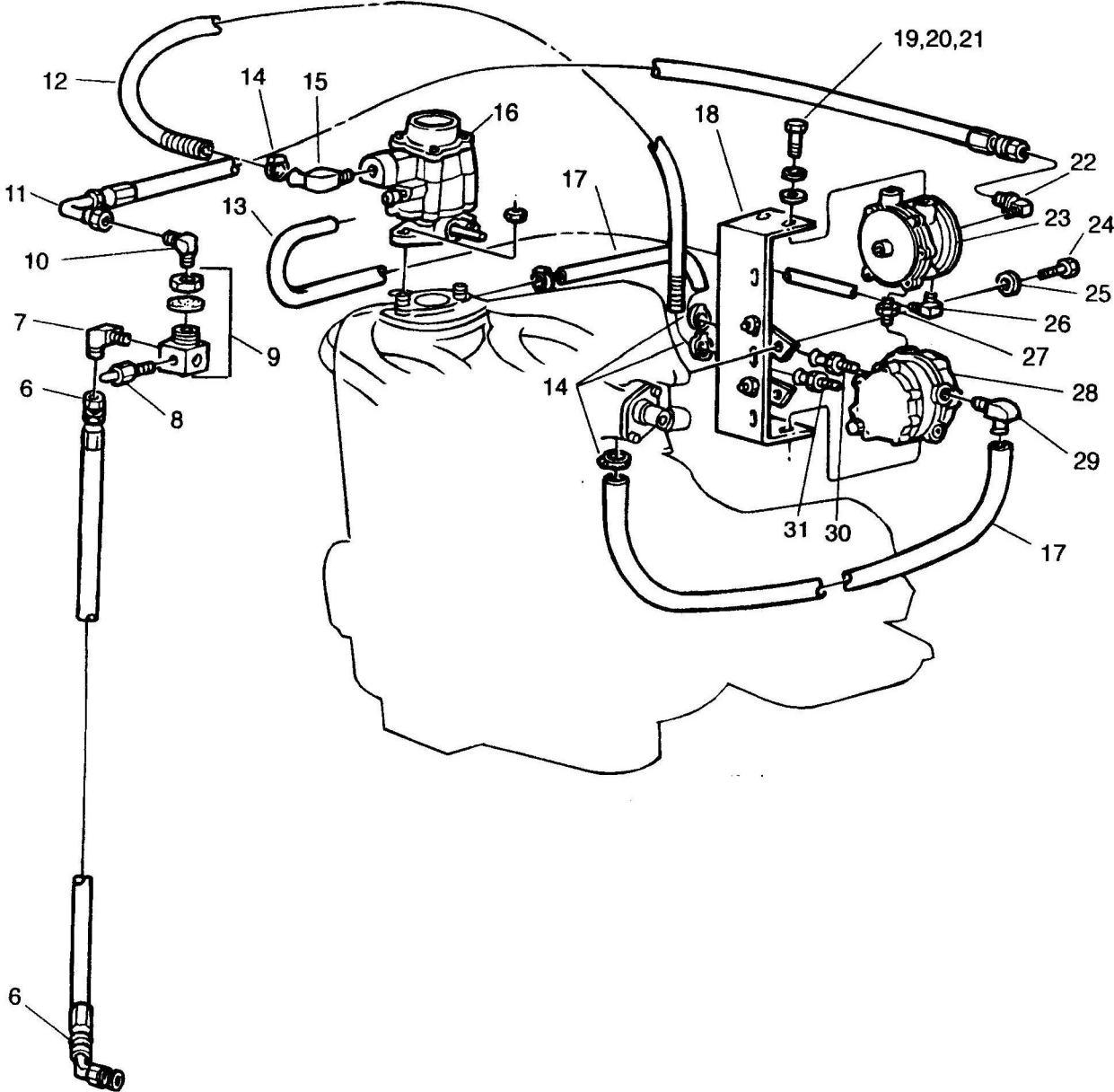
FUEL SYSTEM

FUEL SYSTEM

Item	Part Number	Qty	Description
1	A-TT4-00271	1	FUEL CAP
2	A-TT4-00272	1	NIPPLE
3	A-TT4-00273	1	FUEL TANK
4	A-TT4-00274	3	ELBOW FITTING
5	A-TT4-00205	6	HOSE CLAMP 3/4 DIA. #6
6	A-TT4-00275	1	HOSE 5/16-FUEL
7	A-TT4-00276	1	FUEL SENDING UNIT
8	NPN	8	SCREW-HEX CAP-10-32 X 3/4
9	A-TT4-00277	1	FUEL PUMP
10	A-TT4-00278	1	FUEL FILTER
11	NPN	2	NUT-LOCK-1/4-20
12	NPN	2	SCREW-HEX CAP-1/4-20 X 3/4
13	A-TT4-00280	1	BULK HEAD FITTING
14	NPN	4	NUT-LOCK-3/8-16
15	NPN	2	SCREW-HEX CAP-3/8-16 X 2 3/4
16	NPN	2	SCREW-HEX CAP-3/8-16 X 3
17	NPN	4	WASHER-FLAT-3/8
18	NPN	2	WASHER-FLAT-1/4
19	NPN	1	1/8 PIPE 5/16 FUEL LINE

FUEL SYSTEM

FUEL SYSTEM LP



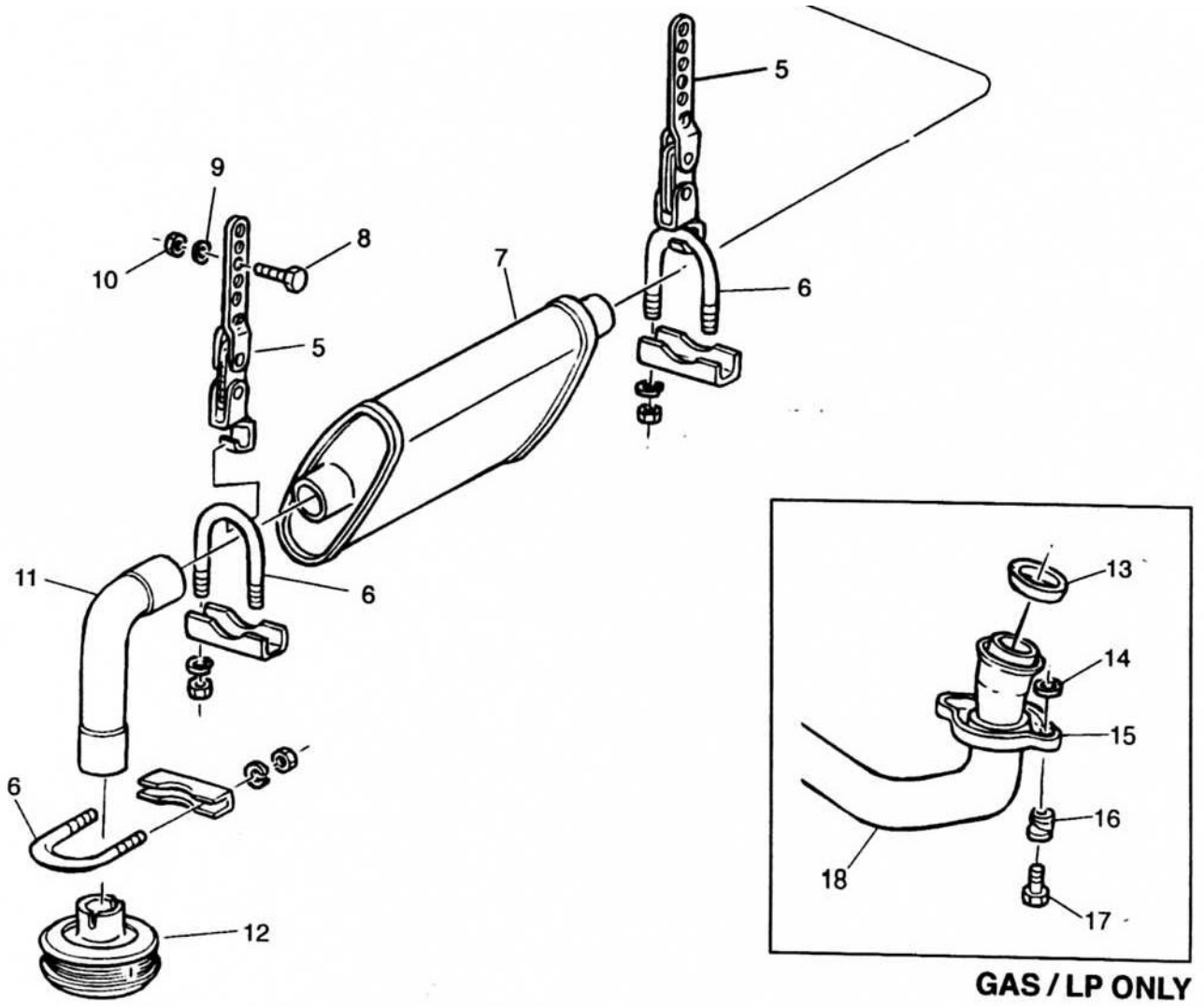
FUEL SYSTEM

FUEL SYSTEM LP

Item	Part Number	Qty	Description
6	A-TT5-00753	1	FEED LINE
7	NPN	1	FITTING-90 DEGREE
8	NPN	1	SAFETY VALVE
9	NPN	1	BULK HEAD FITTING
10	NPN	1	FITTING-90 DEGREE
11	A-TT5-00754	1	FEEDLINE
12	A-TT5-00755	1	CARBURETOR LINE
13	A-TT5-00756	1	VACUUM LINE
14	NPN	4	HOSE CLAMP
15	NPN	1	FITTING-90 DEGREE
16	A-TT5-00757	1	CARBURETOR
17	NPN	1	HOT WATER LINE
18	A-TT5-00758	1	MOUNTING BRACKET
19	NPN	4	SCREW-HEX CAP-5/16-18 X 1
20	NPN	4	WASHER-FLAT-5/16
21	NPN	4	WASHER-LOCK-5/16
22	NPN	1	FITTING 90 DEGREE
23	A-TT5-00759	1	REGULATOR
24	NPN	2	SCREW-HEX CAP-3/8-16 X 1 1/2
25	NPN	2	WASHER-FLAT-3/8
26	NPN	2	FITTING 90 DEGREE
27	NPN	1	UNION 3/8
28	A-TT5-00760	1	VAPORIZER
29	NPN	1	FITTING 90 DEGREE
30	NPN	1	FITTING STRAIGHT
31	NPN	1	FITTING STRAIGHT

EXHAUST SYSTEM

EXHAUST SYSTEM



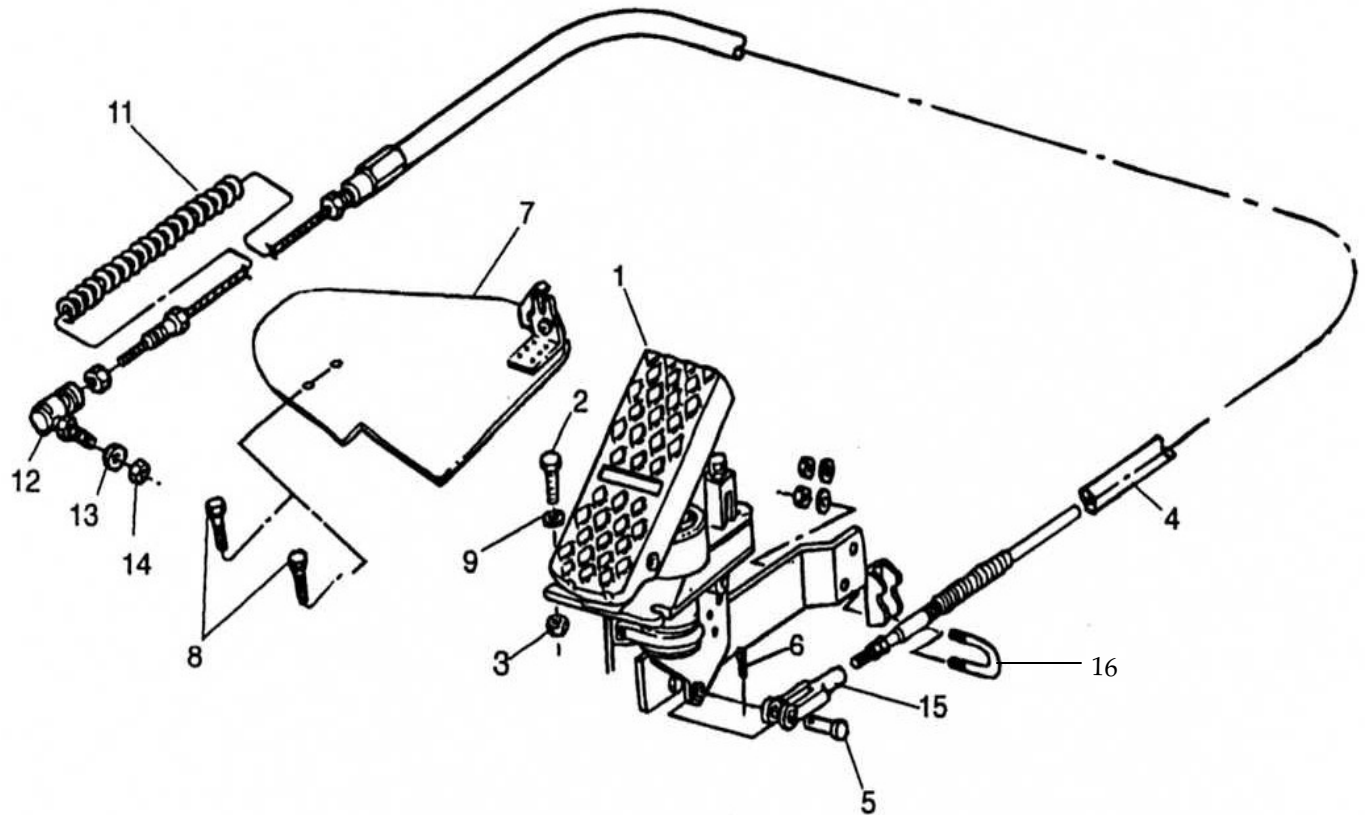
EXHAUST SYSTEM

EXHAUST SYSTEM

Item	Part Number	Qty	Description
5	A-TT4-00260	2	PIPE HANGER
6	A-TT4-00254	3	MUFFLER CLAMP
7	A-TT4-00258-1	1	MUFFLER
8	NPN	2	SCREW-HEX CAP-3/8-16 X 1 1/4
9	NPN	2	WASHER-FLAT-3/8
10	NPN	2	NUT-HEX CAP-3/8-16
11	A-TT4-00259-1	1	TAIL PIPE
12	AE-OPT-0059	1	ARRESTOR, SPARK, (OPTION)
13	A-TT4-00251	1	GASKET
14	G-100499	2	NUT-LOCK 8X1.25
15	A-TT4-00252	1	FLANGE
16	4301631	2	SPRING
17	5217003	2	BOLT-SHOULDER-5/16-18 X 2 1/2
18	A-TT4-00253-1	1	EXHAUST PIPE GAS ENG INLC ITEM 15

OPERATOR COMPARTMENT

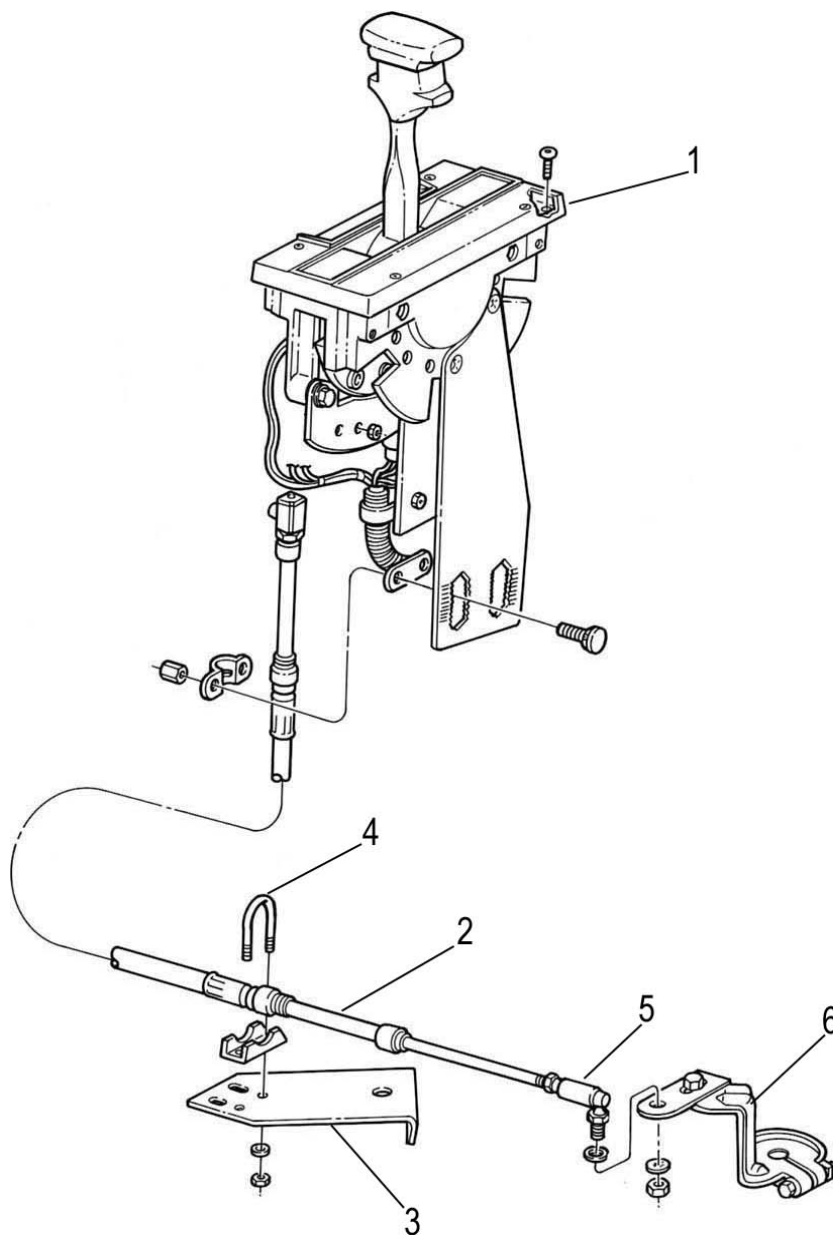
ACCELERATOR PEDAL



ITEM	PART NUMBER	QTY	DESCRIPTION
1	A-TT4-00281-1	1	FOOT PEDAL ASSEMBLY
2	NPN	3	SCREW-HEX CAP-1/4-20 X 1 GR5
3	NPN	3	NUT-LOCK-1/4-20
4	A-TT4-00282-1	1	CABLE ASSEMBLY
5	A-TT4-00283-1	1	CLEVIS PIN SOLD WITH ITEM 6
6	A-TT4-00283-1	1	PIN-COTTER SOLD WITH ITEM 5
7	B-TT5-00709-1	1	ACCELERATOR CABLE MNT BRACKET
8	NPN	2	SCREW-HEX CAP-3/8-16 X 1 1/2
9	NPN	3	WASHER-FLAT-3/8
11	A-TT4-00286	1	SPRING RETURN
12	A-TT4-00287	1	BALL JOINT
13	NPN	1	WASHER FLAT
14	NPN	1	LOCK NUT
15	NPN	1	CLEVIS
16	A-TT4-00247	1	U-BOLT KIT

OPERATOR COMPARTMENT

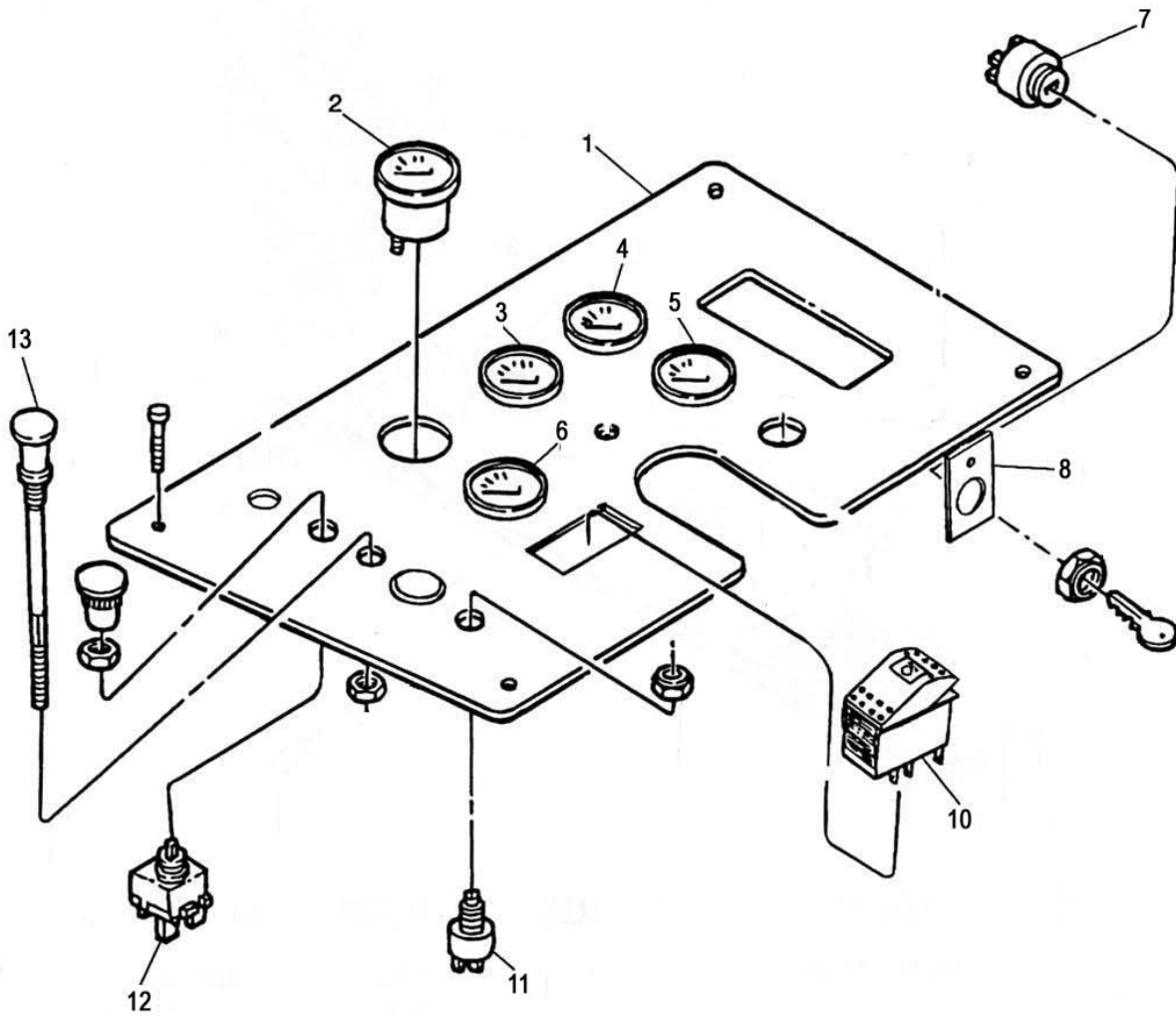
TRANSMISSION CONTROL



Item	Part Number	Qty	Description
1	A-TT4-00245	1	TRANSMISSION SHIFT CONTROL
2	A-TT4-00246	1	TRANSMISSION SHIFT CABLE
3	A-TT4-00248	1	TRANSMISSION CABLE BRACKET ASSEMBLY
4	A-TT4-00247	1	U-BOLT KIT
5	A-TT4-00249	1	BALL JOINT KIT
6	A-TT4-00419-1	1	TRANSMISSION LEVER

OPERATOR COMPARTMENT

INSTRUMENT PANEL



OPERATOR COMPARTMENT

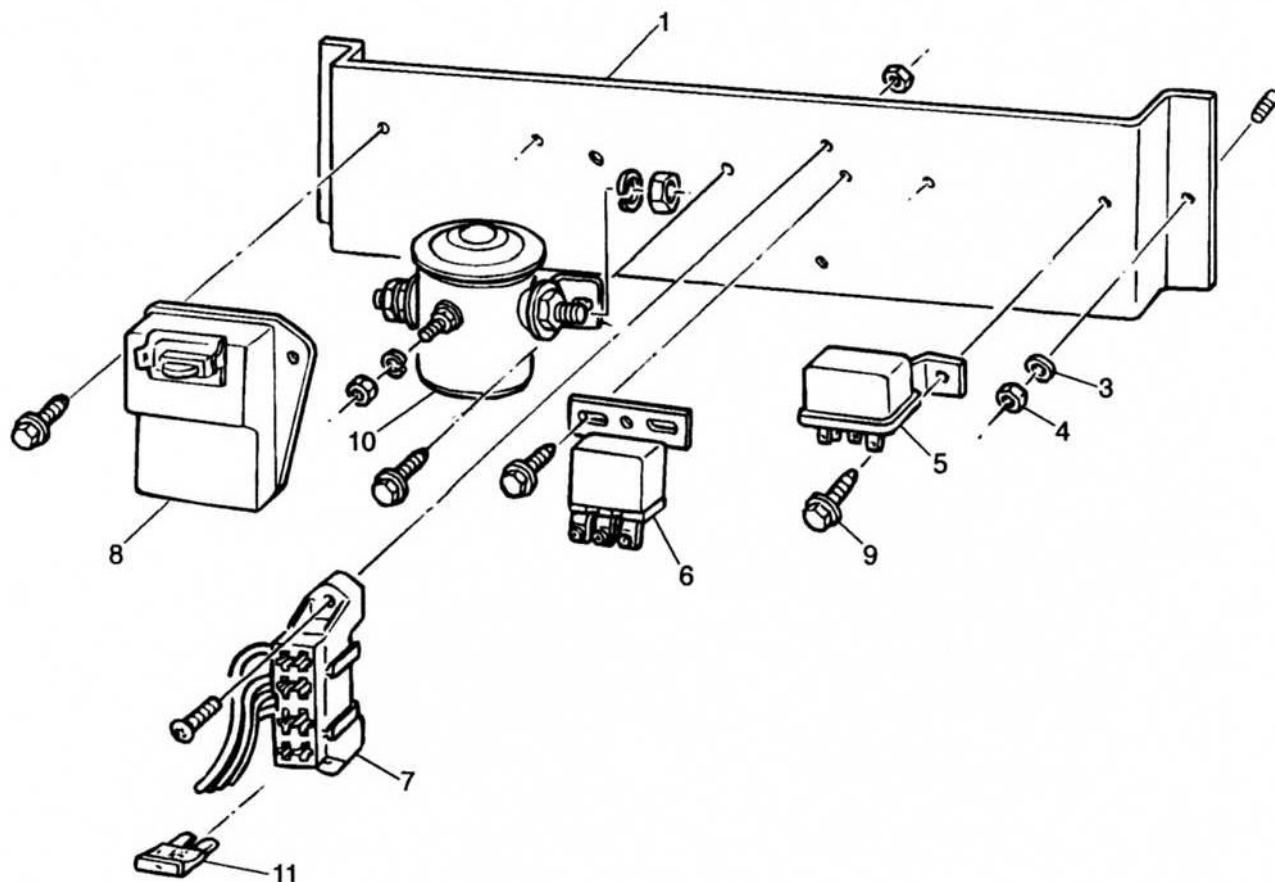
INSTRUMENT PANEL – DETAIL

Item	Part Number	Qty	Description
1	C-TT4-00411	1	DASH PANEL (NO INSTRUMENTS)
2	A-TT4-00412	1	OIL PRESSURE GAUGE
3	A-TT4-00415	1	FUEL GAUGE
4	A-TT4-00416	1	VOLT-AMP GAUGE
5	A-TT4-00417	1	TEMP GAUGE
6	A-TT4-00418	1	HOUR METER
7	A-TT4-00422-2	1	IGNITION SWITCH (KEYED OPTION)
7	A-TT4-00422-3	1	IGNITION SWITCH (KEYLESS OPTION)
8	A-TT6-0015-1	1	PLATE, MOUNTING IGNITION SWITCH
10	A-TT4-0423-1	1	HEAD LIGHT SWITCH
11	A-TT4-00428	1	HORN BUTTON
12	A-TT4-00609	1	HEATER FAN SWITCH
13	A-TT4-00608	1	TEMPERATURE CONTROL CABLE (OPTION)
NS	A-TT4-00434-1	1	WIRE HARNESS (DASH ONLY)
NS	A-TT4-00435-1	1	80 AMP CIRCUIT BREAKER

NOTES:

ELECTRICAL SYSTEM

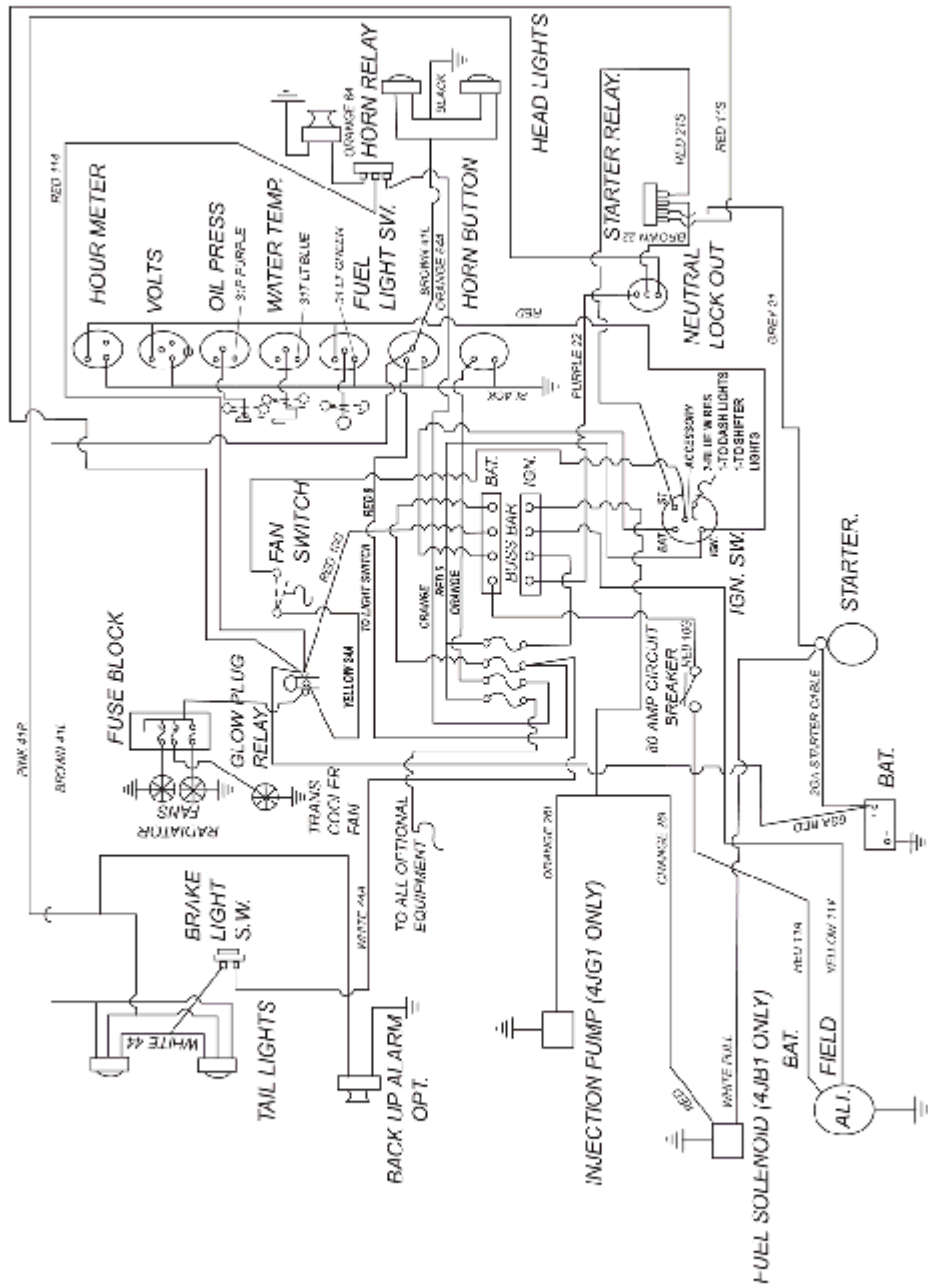
ELECTRICAL PANEL



Item	Part Number	Qty	Description
1	B-TT4-00301	1	MOUNTING BRACKET
3	NPN	2	WASHER-FLAT-#10
4	NPN	2	NUT-LOCK-#10
5	A-TT4-00302	1	STARTER RELAY
6	A-TT4-00303-1	1	HORN RELAY
7	A-TT4-00307	1	FUSE BLOCK-SPADE
8	A-TT4-00305	1	VOLTGE REGULATOR
9	NPN	9	SCREW -SELF TAPPING-1/4
10	A-TT4-00308	1	FAN RELAY
11	A-TT4-00309	4	FUSE-SPADE (25 AMP)

ELECTRICAL SYSTEM

ELECTRICAL SCHEMATICS

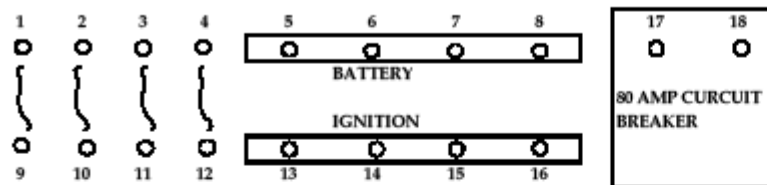
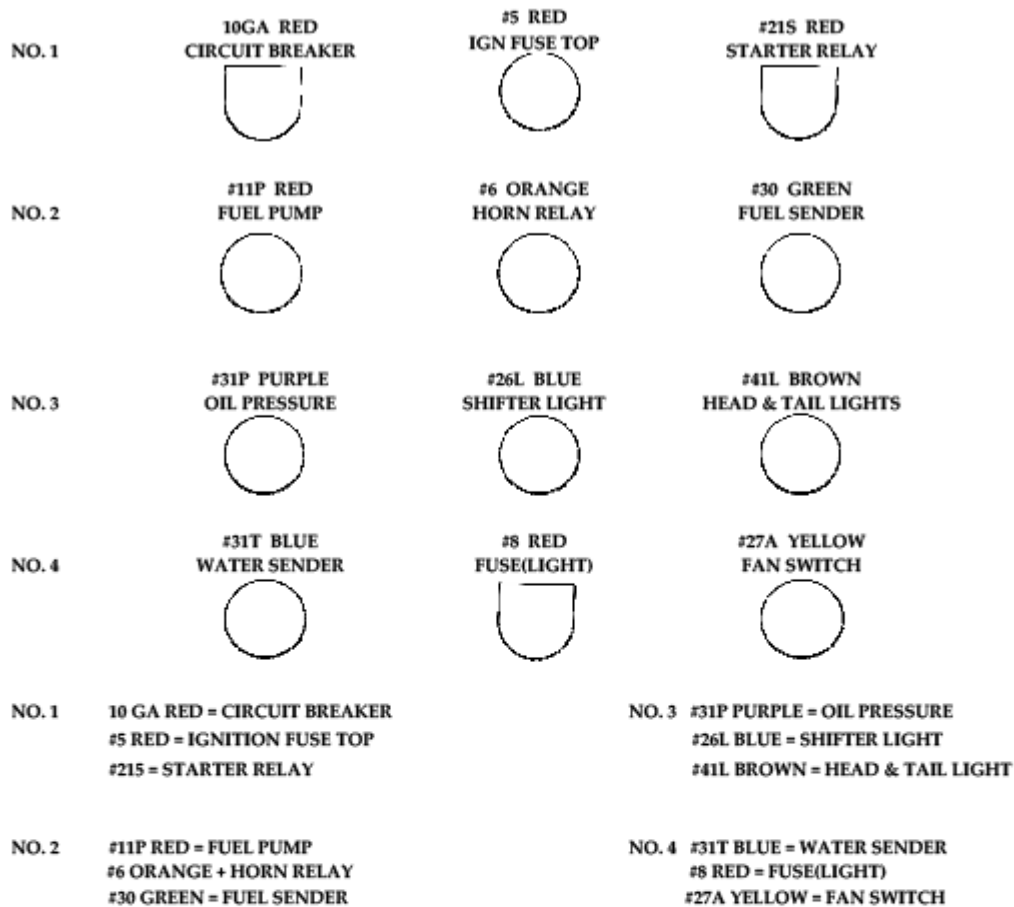


ELECTRICAL SYSTEM

ELECTRICAL SCHEMATICS

WIRE NUMBER	FROM	TO	WIRE NUMBER	FROM
41 WHITE WIRE	UNDER DASH	TAIL LIGHTS (EXTRA)	PULL WHITE	STARTER
44A WHITE	LIGHT SWITCH	FUSE BOX (LIGHT)	22 BROWN	STARTER RELAY
44 WHITE	LIGHT SWITCH	TAIL LIGHTS	26 PURPLE	TRANS PLUG
64 ORANGE	HORN	HORN RELAY	41R PINK	TRANS PLUG
11V YELLOW DIESEL ENGINE	VOLT REG-ALT	BUSS BAR IGNITION	22 BROWN	TRANS PLUG
11V GREEN GAS ENGINE	VOLT REG-ALT	BUSS BAR IGNITION	26I ORANGE	IGNITION COIL
11Y YELLOW	VOLTAGE REG	ALT FIELD	27A YELLOW	FAN SWITCH
24A YELLOW	FAN RELAY	FAN SWITCH	24A YELLOW	FAN SWITCH
27 RED	FAN RELAY	SIDE FAN	21 GRAY	STARTER
FG BLACK	FAN GROUND	SIDE FAN	31P PURPLE	OIL PRESS SENDER
64A ORANGE	HORN RELAY TO FUSE(TOP) (BOTTOM)	DASH PLUG	27 RED	SIDE FAN
64 ORANGE	HORN RELAY	HORN RELAY	31T BLUE	WATER TEMP SENDER
11H RED	HORN RELAY	BATT PICKUP (RELAY)	11A 8GA RED	ALT & POST
10GA RED	BATT PICKUP RELAY	BATT SIDE OF BUSS	26Y YELLOW	ALT FIELD
11S RED	BATT PICKUP RELAY	STARTER RELAY	11Y YELLOW	ALT FIELD
11H RED	BATT PICKUP	HORN RELAY	11P RED	FUEL PUMP
21S RED	STARTER RELAY	DASH PLUG	30 GREEN	FUEL SENDER
11S RED	STARTER RELAY	BATT PICKUP (RELAY)	41 WHITE	EXTRA WIRE UNDER DASH
21 GRAY	STARTER RELAY	STARTER(BROWN WIRE)	10G RED GLOW	GLOW PLUG

ELECTRICAL SYSTEM

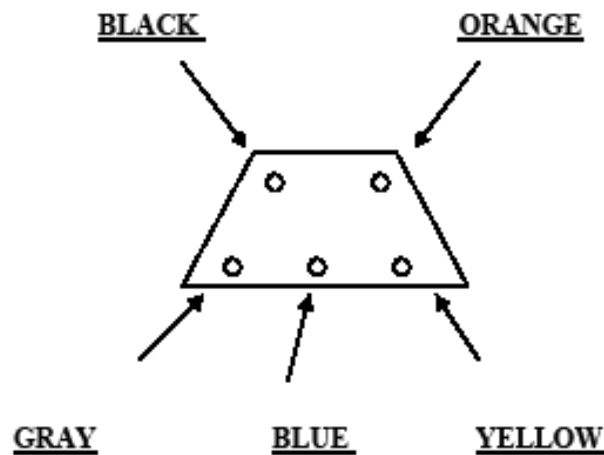


- 1 RED JUMPER TO #4
- 2 ORANGE TO HORN RELAY
- 3 BLUE JUMPER TO BATTERY SIDE OF BUSS BAR
- 4 RED TO IGNITION ON KEY SWITCH
- 5 RED TO CIRCUIT BREAKER
- 6 RED TO KEY SWITCH BATTERY
- 7 RED TO POSITIVE SIDE OF BATTERY ON FAN SOLENOID
- 8 BLUE JUMPER TO #3
- 9 TO ALL OPTION EQUIPMENT
- 10 TO HORN SWITCH
- 11 RED TO LIGHT SWITCH WHITE HOT WIRE TO BRAKE LIGHT SWITCH
- 12 RED JUMPER TO IGNITION SIDE OF BUSS BAR
- 13 PURPLE TO TRANSMISSION NEUTRAL START SWITCH
- 14 RED JUMPER TO #12 FUSE BLOCK
- 15 YELLOW TO FIELD WIRE ON ALTERNATOR
- 16 ORANGE TO POSITIVE SIDE OF COIL - PULL SOLENOID
- 16 ONE EXTRA WIRE RED WITH BLACK TRACER TO VOLTAGE REGULATOR PL1
- 17 TO BATTERY SIDE OF BUSS BAR
- 18 TO ALTERNATOR

ELECTRICAL SYSTEM

IGNITION MODULE WIRING

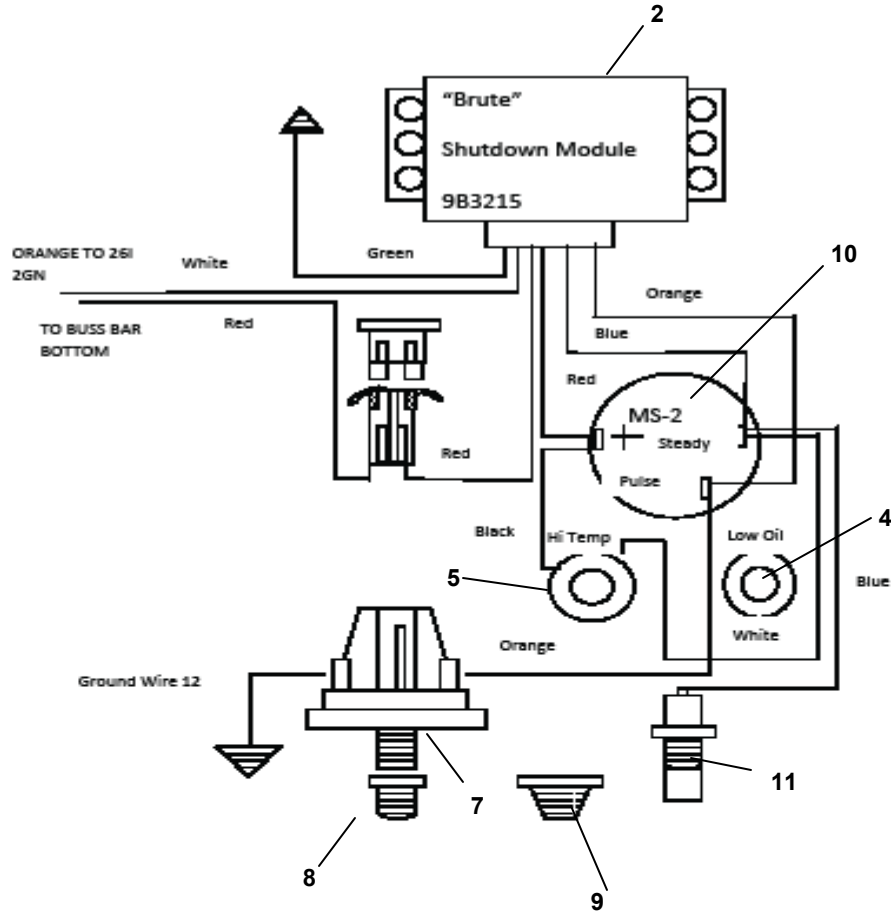
DIRECTIONS FOR INSTALLING REPLACEMENT IGNITION MODULE PIG TAIL (WIRE LOOM) PART NO 4417478



1. **INSTALL PROPER COLOR WIRE WITH TERMINALS BY *HAND***
2. **CONNECT YELLOW WIRE TO SIDE OF COIL *USING NEEDLE NOSE PLIER SET***
3. **CONNECT BLACK WIRE TO SIDE OF COIL**
4. **CONNECT BOTTOM END TO DISTRIBUTOR**

ELECTIRCAL SYSTEM

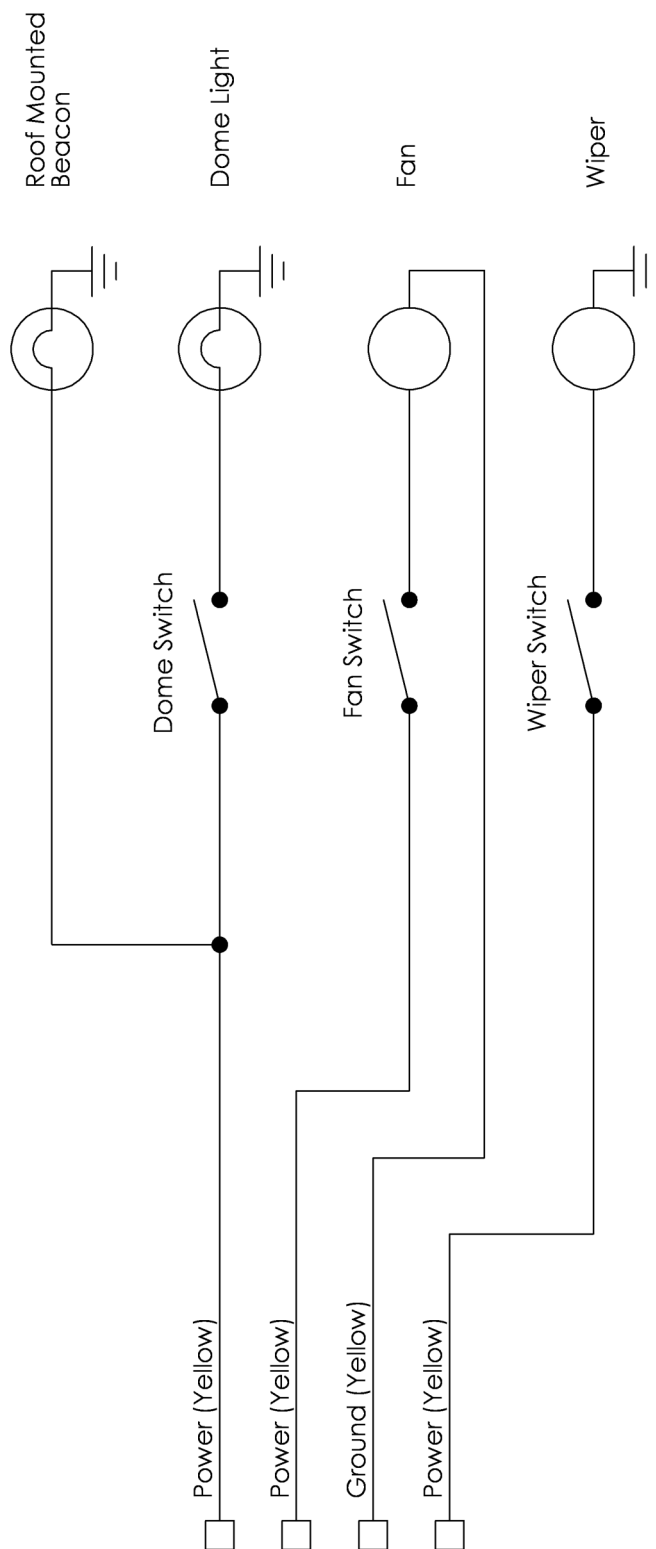
SHUTDOWN OPTION WIRING



Item	Part Number	Qty	Description
1a	AE-OPT-0080(COMPLETE ASSY)	1	LOW OIL/HI TEMP SHUTDOWN DIESEL ENG
1b	AE-OPT-0081-1(COMPLETE ASSY)	1	LOW OIL/HI TEMP SHUTDOWN GASOLINE
2	9B3215	1	SHUTDOWN MODULE
3	W2007.01	1	WIRE HARNESS
4	861193F	1	OIL PRESSURE LIGHT
5	8609331F	1	TEMPERATURE LIGHT
6	1215	2	LENS COVER SHROUD(NOT SHOWN)
7	H1004	1	PRESSURE SWITCH
8	3750202	1	1/8 MALE/FEMALE ADAPTER(NOT SHOWN)
9	3730402	1	1/4 X 1/8 ADAPTER

ELECTRICAL SYSTEM

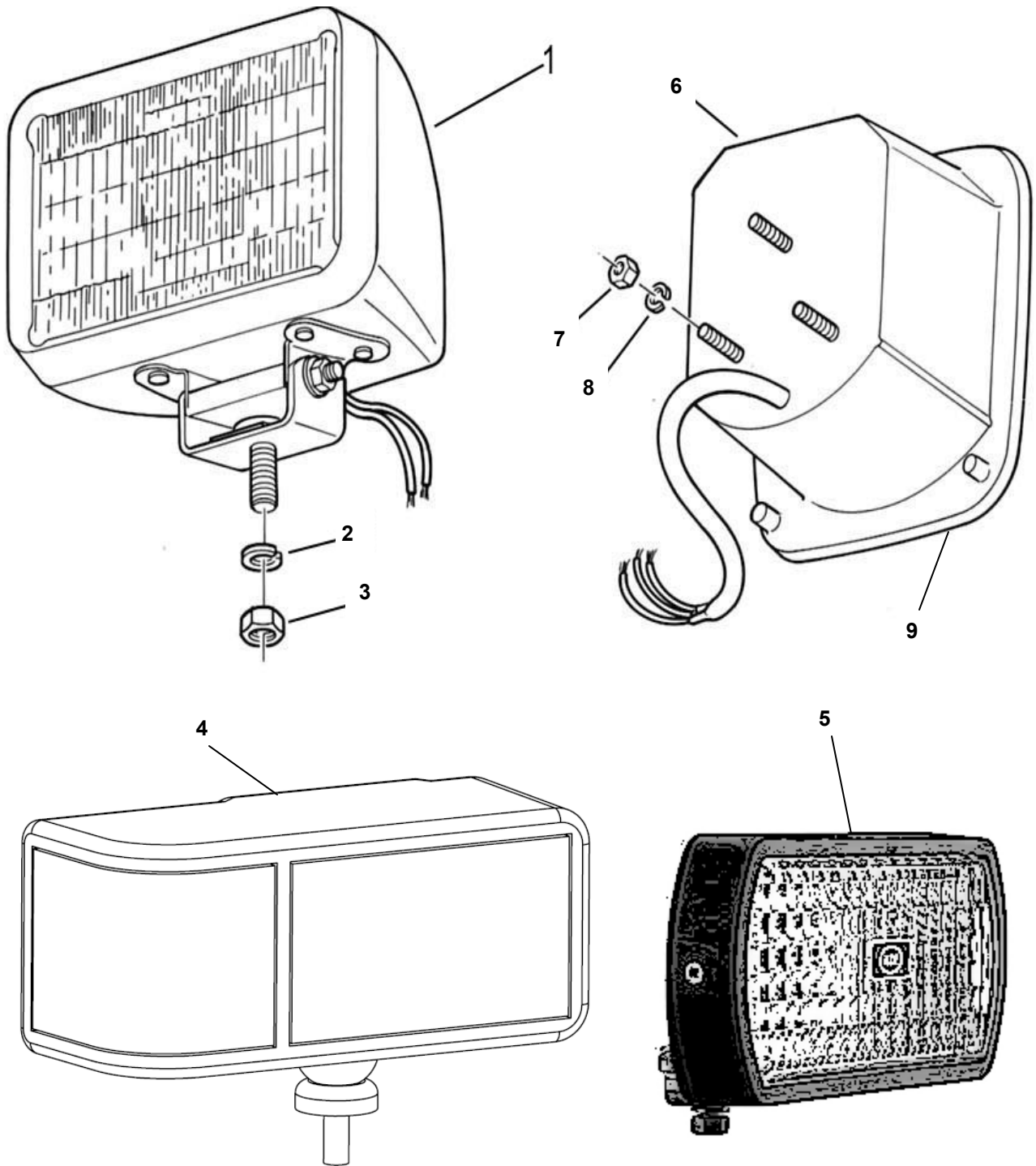
CAB OPTION WIRING DIAGRAM



CAB WIRING DIAGRAM

ELECTRICAL SYSTEM

HEADLIGHT, TAILLIGHT & SPOTLIGHT



ELECTRICAL SYSTEM

HEADLIGHT, TAILLIGHT & SPOTLIGHT

Item	Part Number	Qty	Description
1	A-TT10-00291	2	HEADLIGHT
2	NPN	2	NUT-1/2-13
3	NPN	6	NUT-1/4-20
4A	AE-OPT-0075-1 (TEAR DROP STYLE)	2	HEADLIGHT WITH TURN SIGNAL (OPTION)
4B	A-TT4-00291-6 (RETANGULAR STYLE)	2	HEADLIGHT WITH TURN SIGNAL (OPTION)
5	A-TT4-00291-5	1	REAR FACING SPOT LIGHT

TAILLIGHT ASSEMBLY – DETAIL

Item	Part Number	Qty	Description
6	A-TT4-00292	2	TAILLIGHT
7	NPN	2	WASHER-FLAT-1/2
8	NPN	6	WASHER-FLAT-1/4
9	73-1912		TAIL LENS COVER

REPLACEMENT BULBS

Item	Part Number	Qty	Description
10	H4		REPL BULB ITEMS 1 AND 4A
11	H3		REPL BULB ITEM 5
12	1157		REPL BULB BRAKE LIGHT ITEM 6 & TURN SIGNAL ITEM 4B
13	1156		REPL BULB REVERSE LIGHT ITEM 6
14	3157 NA		REPL BULB TURN SIGNAL ITEM 4
15	H6545		SEALED BEAM FOR ITEM 4B

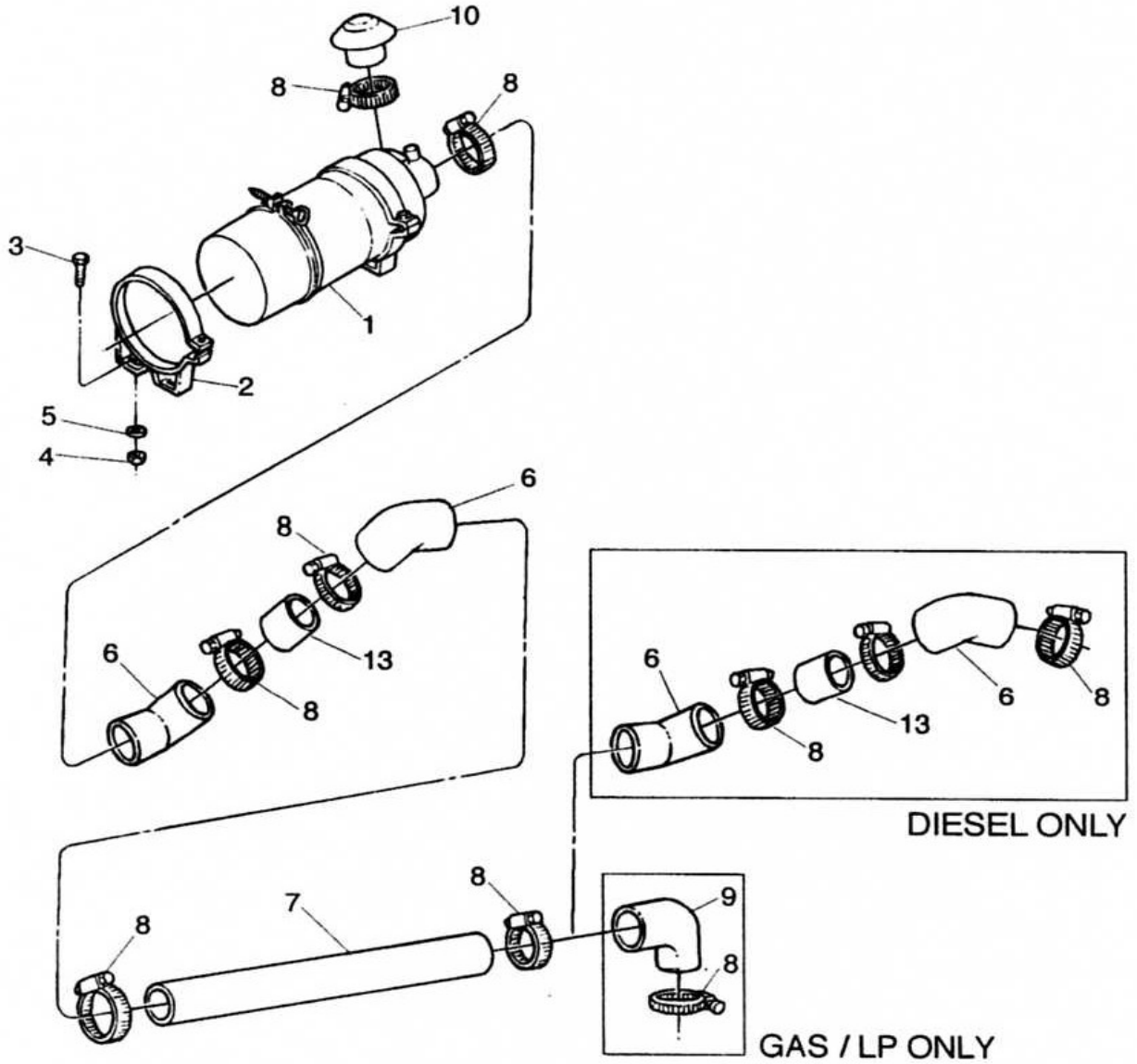
OPTIONS NOT SHOWN

Item	Part Number	Qty	Description
16	AE-OPT-0076	2	ROOF MOUNTED TURN SIGNAL LAMP

**DUE TO ENGINEERING IMPROVEMENTS YOU MAY HAVE HEADLIGHTS OTHER THAN THE ONES LISTED*

AIR CLEANER

AIR CLEANER ASSEMBLY



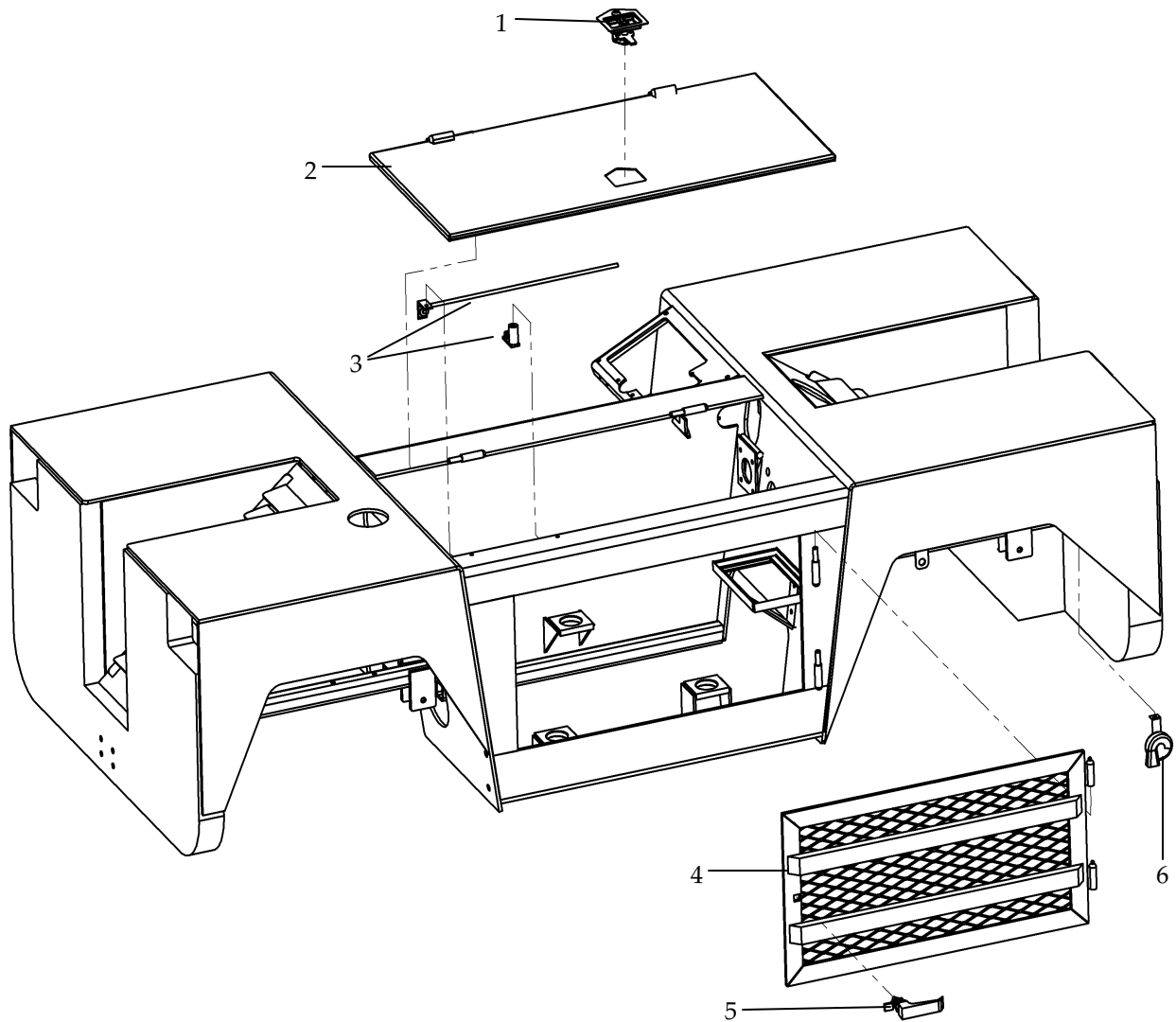
AIR CLEANER

AIR CLEANER ASSEMBLY

Item	Part Number	Qty	Description
1	A-TT4-00091	1	AIR CLEANER
2	A-TT4-00092	2	BRACKET
3	NPN	4	SCREW-HEX CAP-3/8-16 X 1 GR-5
4	NPN	4	NUT-LOCK-3/8-16
5	NPN	4	WASHER-FLAT-3/8
6	A-TT4-00094	2	INTAKE TUBE 45 DEGREE - GAS ONLY
7	A-TT4-00095	1	INTAKE TUBE
8	A-TT4-00096	7	CLAMP NO. 40 - GAS ONLY
9	A-TT4-00097	1	INTAKE TUBE 90 DEGREE GAS ONLY
10	A-TT4-00098	1	RAIN CAP
13	A-TT4-00101	2	INTAKE TUBE

OTHER ASSEMBLY

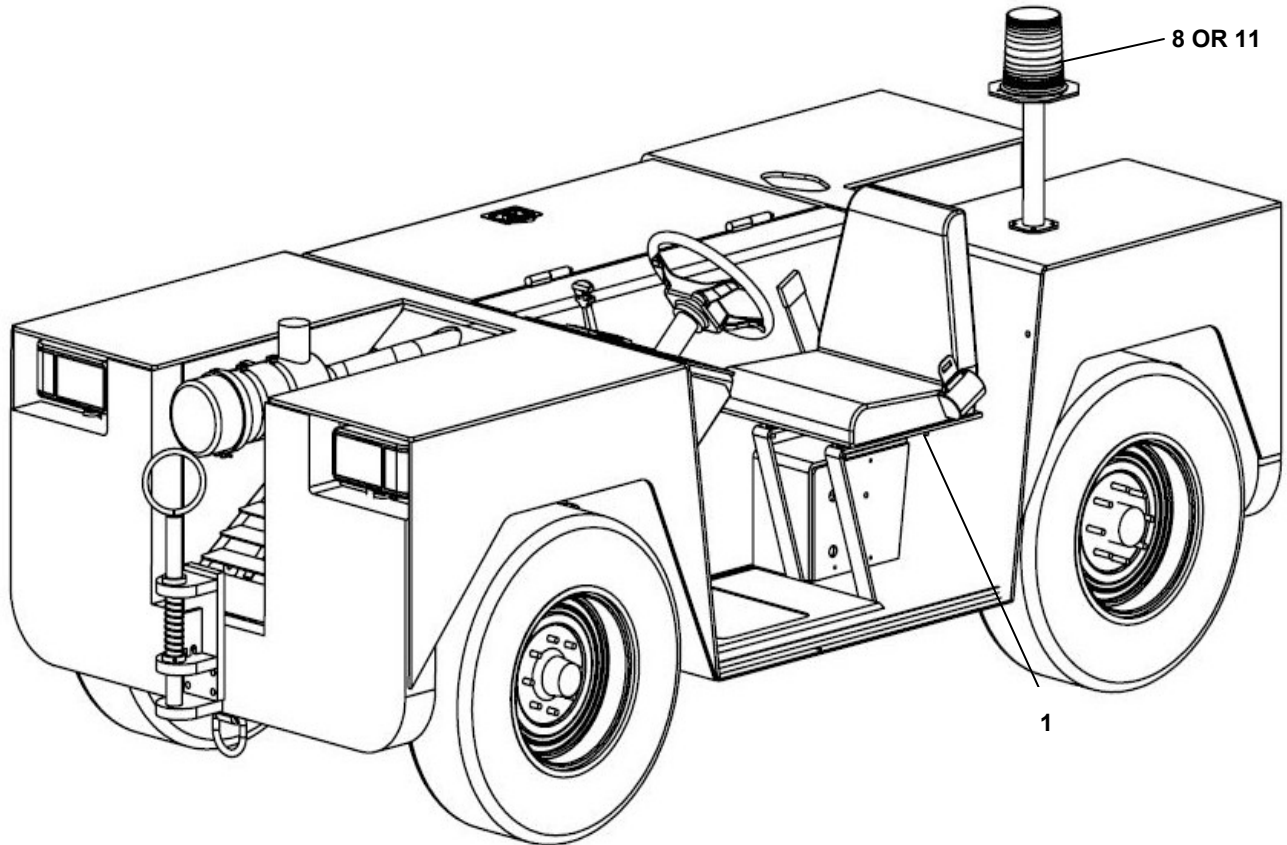
BODY ASSEMBLY



Item	Part Number	Qty	Description
1	C-TT4-0012-3	1	LOCKING T-HANDLE LATCH
2	C-TT4-0012	1	HOOD
3	NPN	1	HOOD PROP ASSEMBLY
4	D-TT4-0009-1	1	GRILL GUARD/ACCESS DOOR
5	62-10-603-20	1	LATCH FOR ACCESS DOOR
6	A-TT4-0052	1	HORN ASSEMBLY

OTHER ASSEMBLY

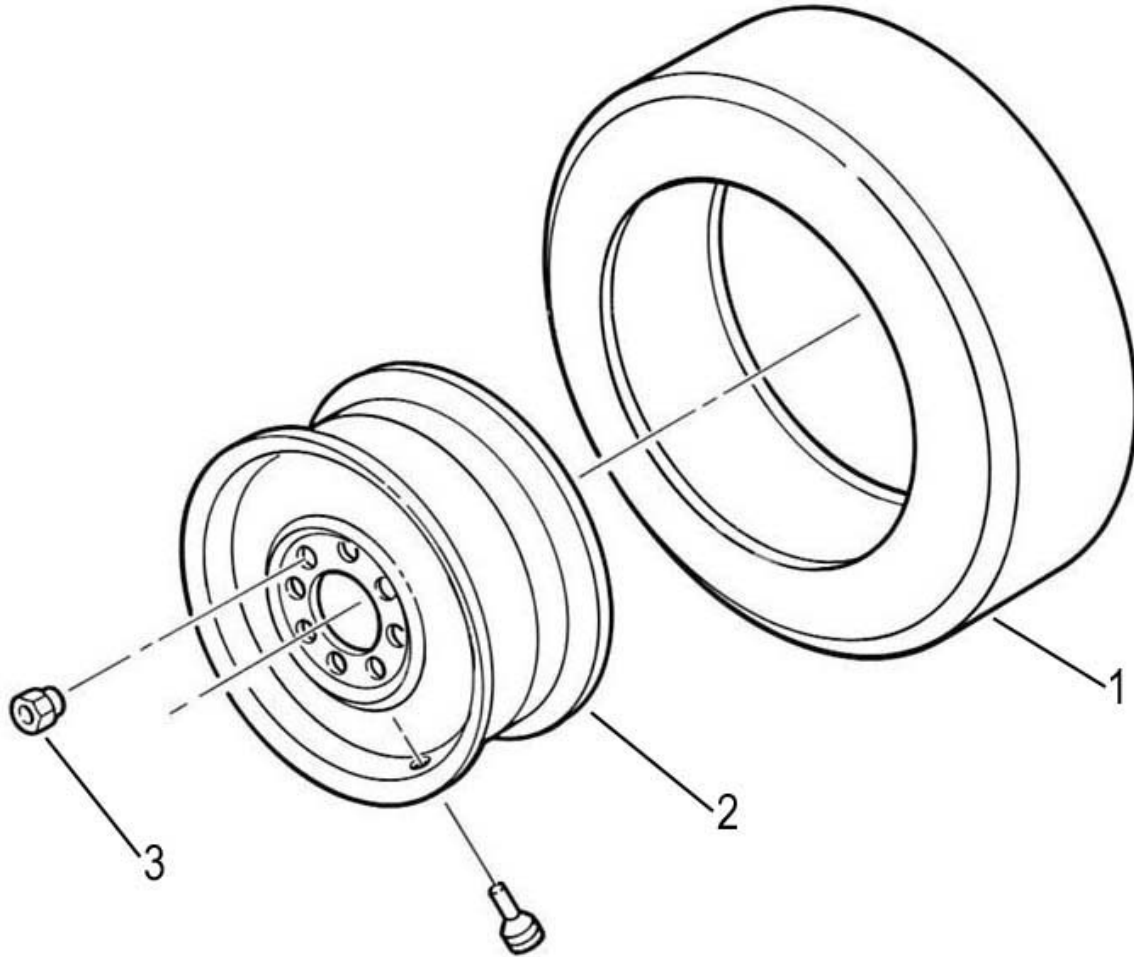
SEAT AND SAFETY LIGHT OPTIONS



Item	Part Number	Qty	Description
1	A-TT4-0048-1	1	STANDARD SEAT
2	AE-OPT-0055-A	1	STANDARD SEAT BOTTOM CUSHION
3	AE-OPT-0090	1	STANDARD SEAT W/ KILL SWITCH(OPTION)
3	A-TT10-00048	1	BENCH SEAT (DUAL REAR WHEEL MODELS)
4	AE-OPT-0055-B	1	BENCH SEAT BACK CUSHION
5	AE-OPT-0055-C	1	BENCH SEAT BOTTOM CUSHION
6	AE-OPT-0183	1	BENCH SEAT W/ KILL SWITCH (OPTION)
7	E10000	1	SEAT BELT
8	AE-OPT-0002	1	AMBER ROTATING BEACON
9	R5024BH	1	REPLACEMENT BULB 24VDC FOR ITEM 8
10	R5012BH	1	REPLACEMENT BULB 12VDC FOR ITEM 8
11	AE-OPT-0007	1	STROBE
12	129	1	REPLACEMENT BULB FOR ITEM 11
13	AE-OPT-0009	1	1/2 COVER FOR STROBE

WHEELS & TIRES

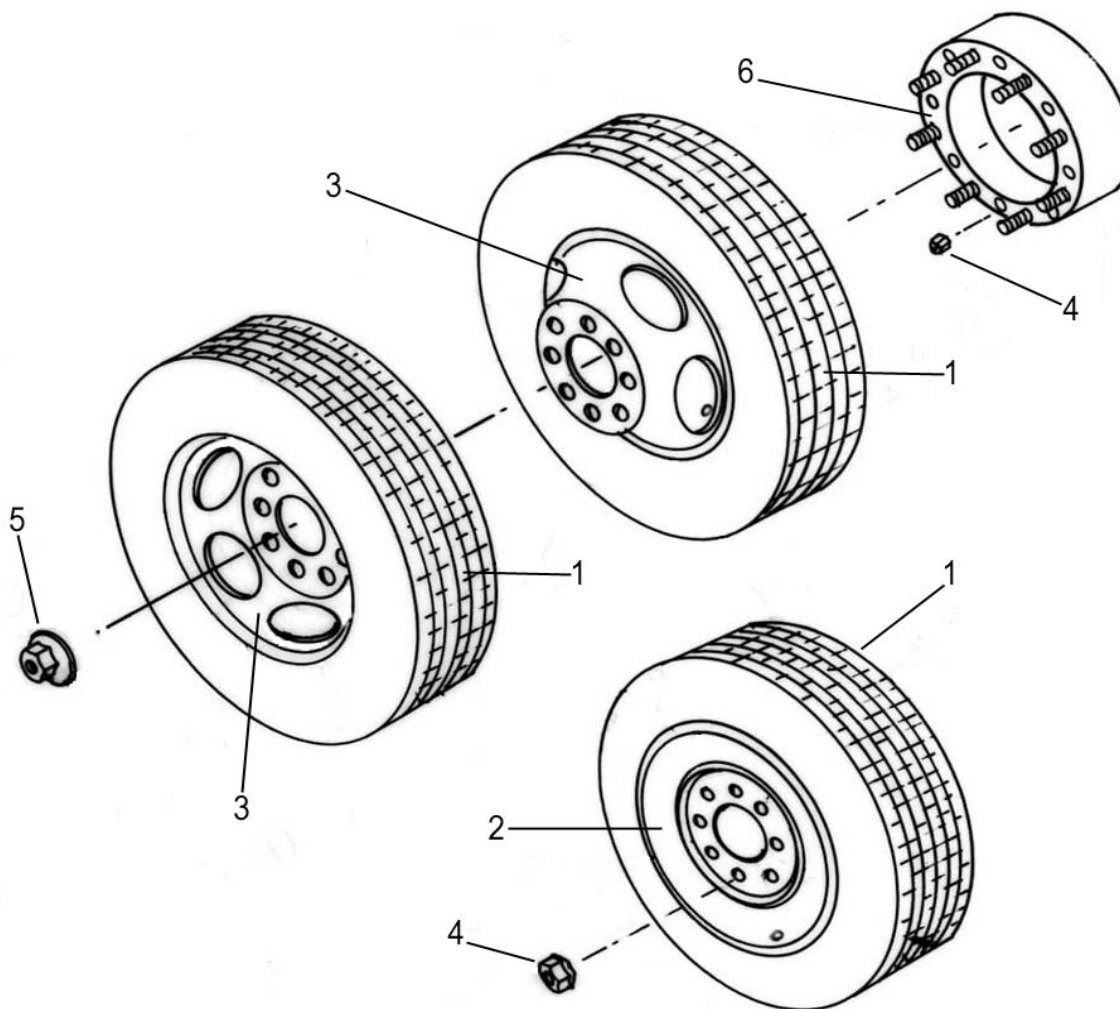
WHEEL & TIRE ASSEMBLY



Item	Part Number	Qty	Description
1	A-TT4-00121	4	STANDARD TIRE 16.5"
2	A-TT4-00122	4	STANDARD RIM
3	A-TT4-00123	32	LUG NUT
4	A-TT8-00121	4	MUD & SNOW TIRE 16" (OPTION)
5	A-TT4-00122-1	4	RIM, MUD & SNOW TIRE 16" (OPTION)

WHEELS & TIRES

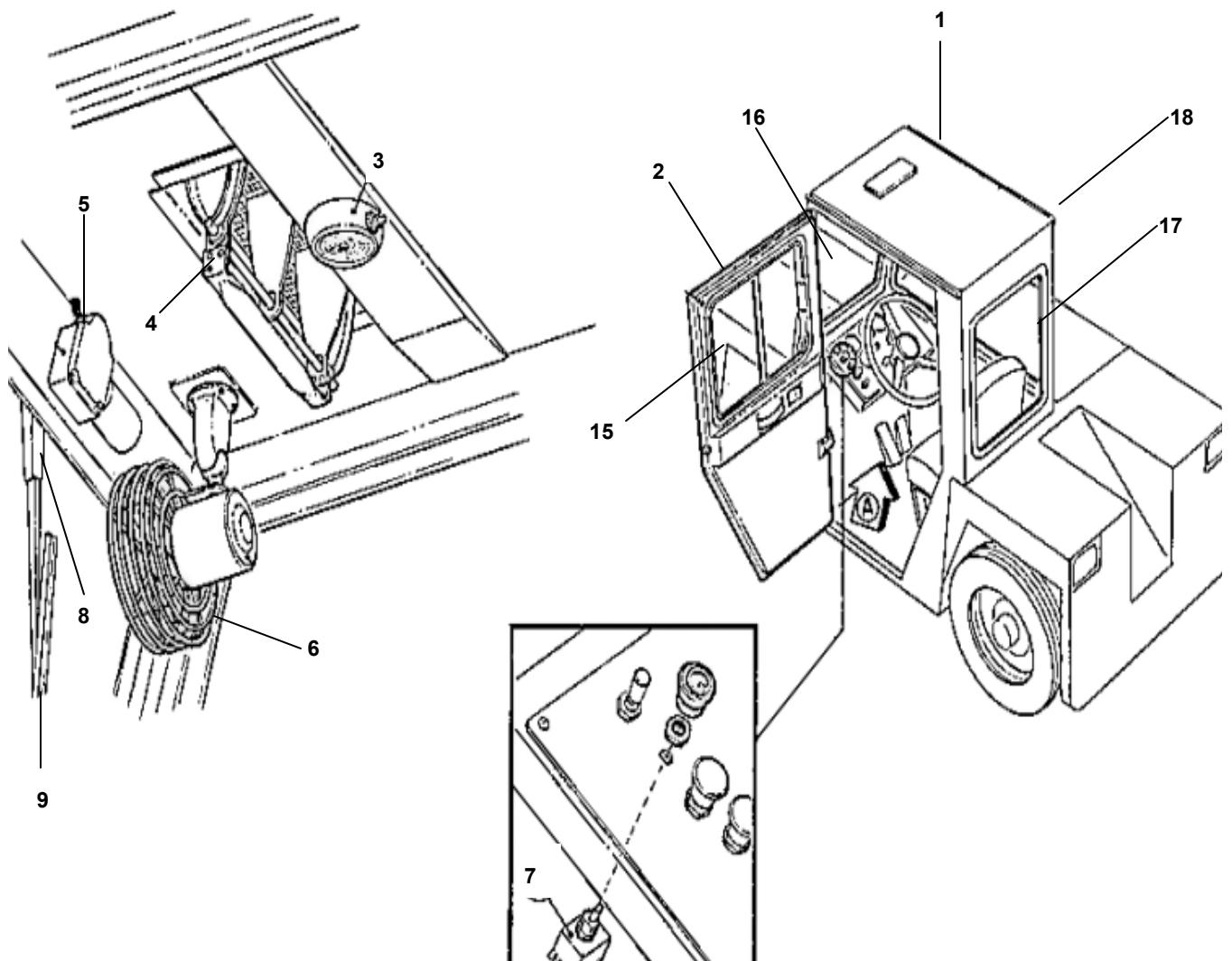
WHEEL & TIRE ASSEMBLY – DUAL REAR WHEEL MODELS



Item	Part Number	Qty	Description
1	A-TT8/2-00121-1	6	STANDARD TIRE 16"
2	A-TT4-00122-1	2	RIM 16"-FRONT
3	A-TT8/2-00126	4	RIM 16"-REAR
4	A-TT4-00123	32	LUG NUT
5	A-TT8/2-00129	16	WHEEL ADAPTER LUG NUT
6	A-TT8/2-00127	2	WHEEL ADAPTER

OPTIONS

CAB OPTION



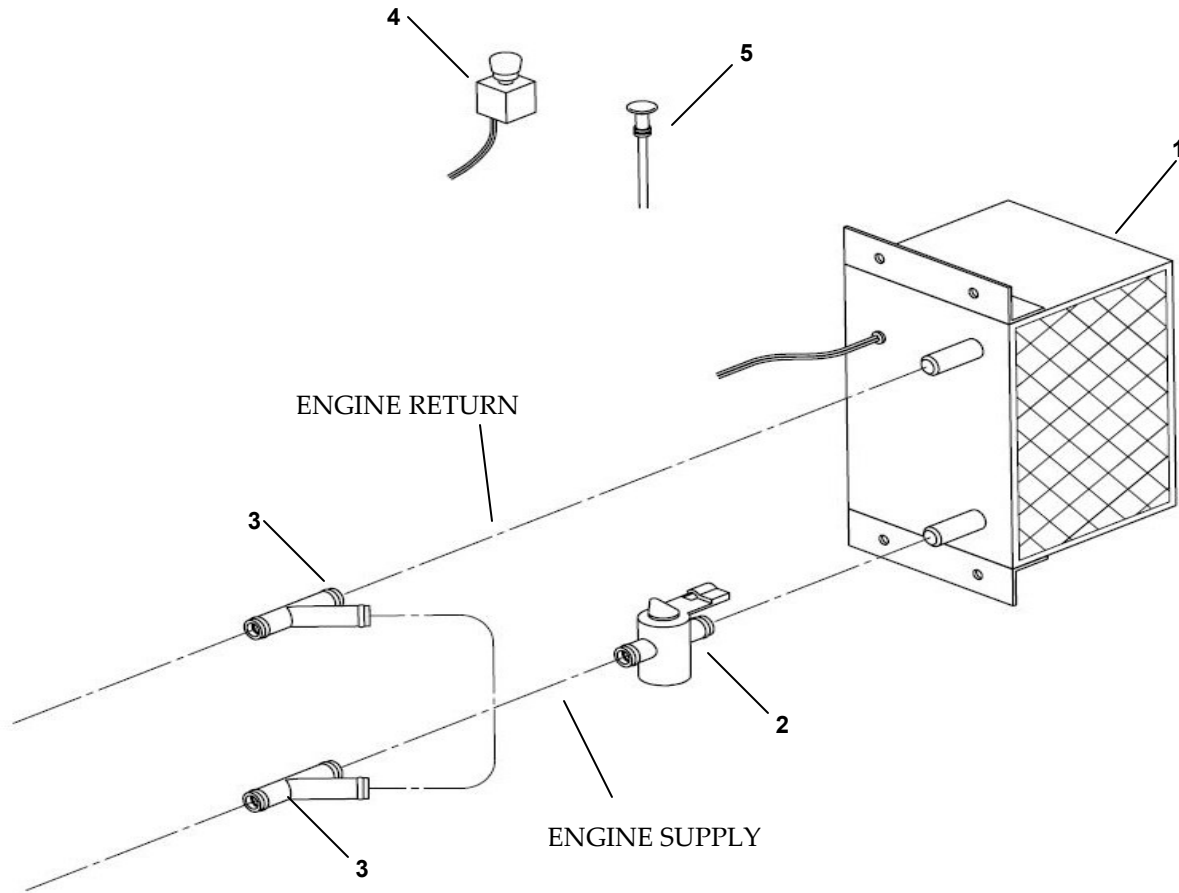
OPTIONS

CAB OPTION

Item	Part Number	Qty	Description
1	AE-OPT-0004	1	CAB ASSEMBLY COMPLETE
1	AE-OPT-0003	1	CAB ASSEMBLY COMPLETE (DUAL REAR WHEEL MODEL)
2	40502	1	DOOR ASSEMBLY COMPLETE
3	A-TT4-00553	1	DOMELITE
4	A-TT4-00554	1	ROOF VENT
5	A-TT4-00555	1	WIPER MOTOR
6	A-TT4-00556	1	DEFROST FAN
7	A-TT4-00609	1	HEATER FAN SWITCH
8	991013	1	WIPER ARM
9	990994	1	WIPER BLADE
10	40516	3	DOOR HINGE(NS)
11	40515	1	STRIKER PLATE(NS)
12	48717	1	OUTSIDE DOOR HANDLE(NS)
13	990237	1	INSIDE DOOR HANDLE(NS)
14	991529	2	DOOR STRAP(NS)
15	992518	1	DOOR WINDOW
16	992424	1	WINDSHEILD
16	992520	1	WINDSHEILD (DUAL REAR WHEEL MODEL)
17	991867	1	REAR WINDOW
17	992521	1	REAR WINDOW (DUAL REAR WHEEL)
18	991809	1	SLIDING WINDOW
19	992519	1	FRONT QUARTER WINDOW

OPTIONS

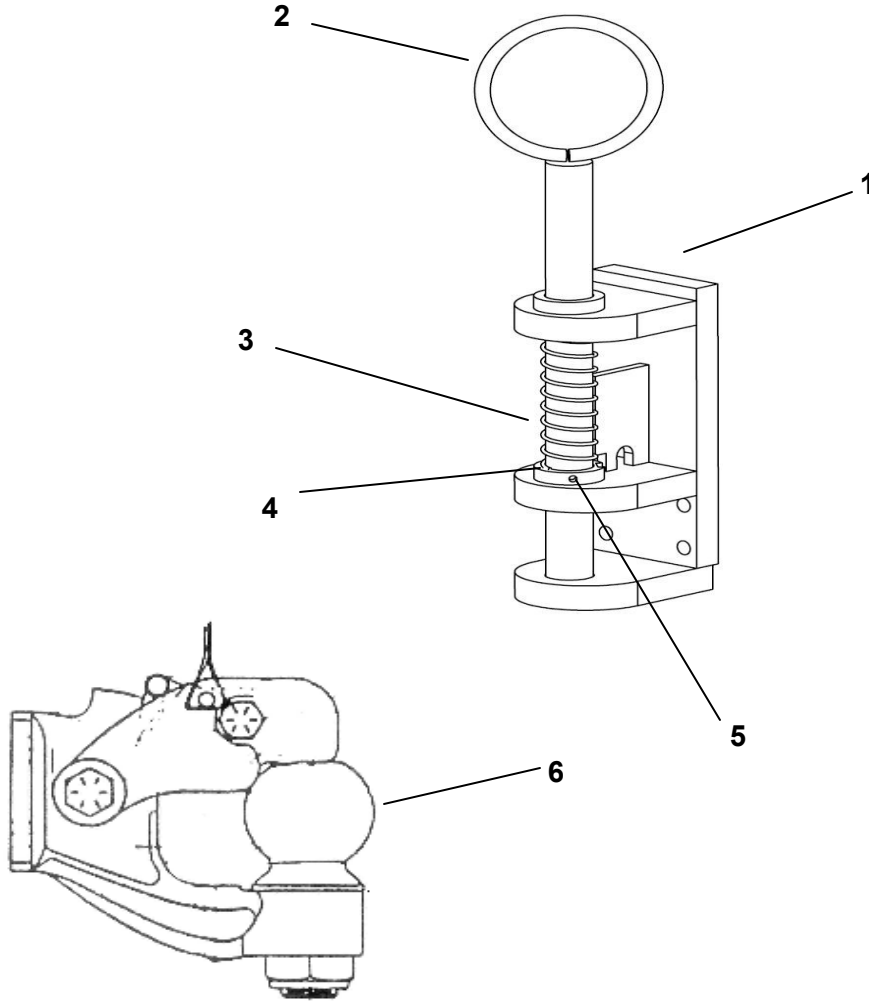
CAB HEATER



Item	Part Number	Qty	Description
1	A-TT4-00601	1	HEATER ASSEMBLY
2	A-TT4-00607D	1	CONTROL VALVE
3	02220200A	2	Y CONNECTOR
4	A-TT4-00609	1	HEATER FAN SWITCH
5	A-TT4-00608	1	TEMPERATURE CONTROL CABLE
6	NPN	2	5/8 HEATER HOSE (NOT SHOWN)

OPTIONS

HITCH OPTIONS



Item	Part Number	Qty	Description
1	AE-OPT-0033	1	E-HITCH 1 1/2 " PIN-COMPLETE ASSEMBLY
2	B-TT3-0008 DET2	1	E-HITCH GUIDE 1 1/2" GUIDE PIN WITH RING
3	B-TT3-0008A	1	E-HITCH SPRING
4	B-TT3-0008 DET5	1	LOCKING COLLAR
5	B-TT3-0008B	1	ROLL PIN
6	AE-OPT-0028	1	PINTLE HOOK
7	AE-OPT-0026	1	AIRLINE HITCH 3" PIN WITH CABLE(NOT SHOWN)
8	AE-OPT-0093	1	AIRLINE HITCH 2 3/8" PIN (NOT SHOWN)

* The above are standard hitch options. Please call for special hitch options information

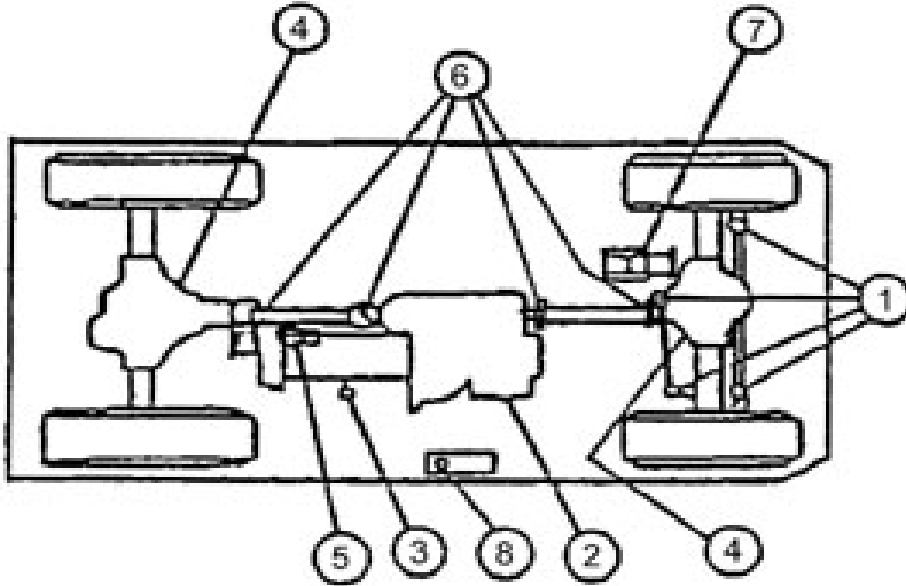
MAINTENANCE

MAINTENANCE SCHEDULE

NO	Description of Check/Service	Operational Hours						
		Daily	50	100	250	500	750	1000
	X-Check * - Requires Service							
1	Engine Oil and filter *first 50 hours and every 100 hours thereafter	x	*	*				
2	Transmission Fluid *every 500 hours	x				*		*
3	Power Steering Fluid	x						
4	Brake Fluid	x						
5	Coolant Level	x						
6	Fuel Filter *every 250 hours				*	*	*	*
7	Oil Leak Check	x						
8	Engine Rubber Mounts		x	x	x	x	x	x
9	Inlet & Exhaust Pipes to Manifold		x	x	x	x	x	x
10	Throttle Controls		x	x	x	x	x	x
11	Coolant Hoses		x	x	x	x	x	x
12	Belt Drives		x	x	x	x	x	x
13	Fuel System Leak Check		x	x	x	x	x	x
14	Electrical Wires and Connections		x	x	x	x	x	x
15	Suspension U-Bolts		*					
16	Battery Cables			x				
17	Air Cleaner Element *every 250 hours				*	*	*	*
18	Brake Pads (Front)					x		x
19	Drum Brake Lining (Rear)					x		x
20	Brake Lines and Hoses					x		x
21	Flush Cooling System					*		
22	Adjust Valve Tappet Clearance					*		
23	Spark Plugs *every 1000 hours							*
24	Replace O2 Sensors *every 1000 hours							x
25	PCV valve					x		x
26	Drain EPR Assembly *every 500 hours (LPG Fueled Engines Only)					*		*
27	Rotate Tires *every 500 hours					*		*

MAINTENANCE

LUBRICATION CHART-FRONT WHEEL DRIVE

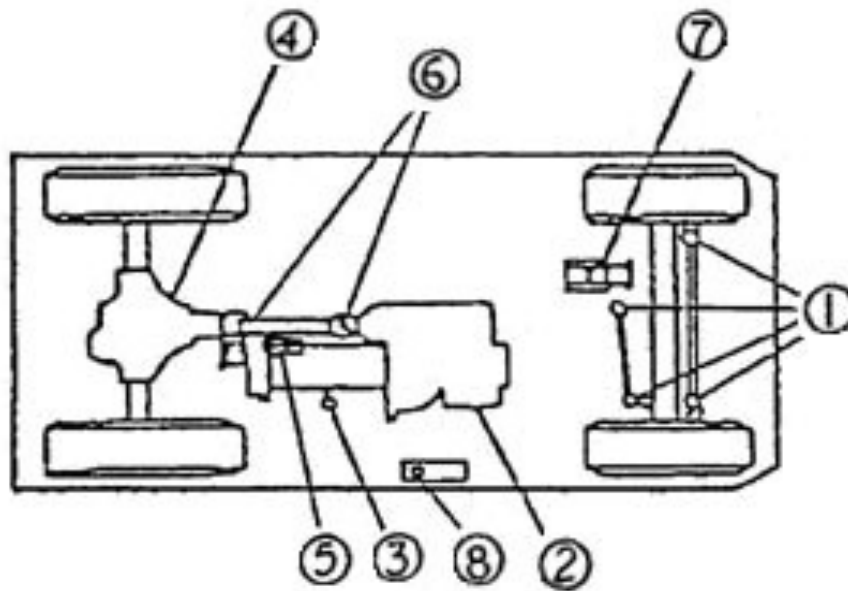


Item	Identification	Type Service	Lubricant
1	Steering Linkage	Lube	EP Multipurpose Grease
2	Transmission Oil*	Check	Dextron III
3	Engine Oil	Change	OE/HDO (MIL-L-2104)
4	Drive Axles	Check	GO 80-90 (MIL-L-2105)
5	Power Steering Pump	Check	Power Steering Fluid
6	Drive Shaft	Lube	EP Multipurpose Grease
7	Brake Master Cylinder	Check	Dot 3
8	Engine Coolant	Check	MIL-A-46153 (Ethylene Glycol)

*Check when engine is at operating temperature

MAINTENANCE

LUBRICATION CHART-ALL WHEEL DRIVE



Item	Identification	Type Service	Lubricant
1	Steering Linkage	Lube	EP Multipurpose Grease
2	Transmission Oil*	Check	Dextron III
3	Engine Oil	Change	OE/HDO (MIL-L-2104)
4	Drive Axles	Check	GO 80-90 (MIL-L-2105)
5	Power Steering Pump	Check	Power Steering Fluid
6	Drive Shaft	Lube	EP Multipurpose Grease
7	Brake Master Cylinder	Check	Dot 3
8	Engine Coolant	Check	MIL-A-46153 (Ethylene Glycol)

*Check when engine is at operating temperature

MAINTENANCE

TIPS FOR INCREASED ALL WEATHER TRACTION DURING AIRCRAFT PUSHBACK

1. Reduce air pressure in pneumatic tires from 60 PSI to as low as 25 PSI. (**restore air pressure to 60 psi as soon as weather emergency ends).
2. When pushing with All Wheel Drive tractors, make sure the tow bar is level or slightly downhill toward tractor.
3. When towing with Rear Wheel Drive-raise hitch height.
4. When pushing with Rear Wheel Drive-lower hitch height.

Note: These strategies(2, 3 and 4) maximize all weather traction.

5. When pushing aircraft on ice or icy snow with All Wheel Drive, a wheel may loose traction (wheel spin). To stop front wheel spin, apply some service brake gradually with left foot until wheel spin stops and hold, while continuing the pushback. Coordinate the left foot service brake pressure and the right foot accelerator, to maintain a smooth pushback. To stop rear wheel spin, apply parking brake with lever until it stops while continuing the pushback.
6. On ice or snow use chains or cables. If the use of chains is prohibited, there are traction cables that serve the same function as chains but are much easier to mount and are very kind in terms of abrasion to all surfaces.
7. Keep fuel tank full, as much as possible.
8. Consult with Eagle Tugs factory for additional assistance.

MAINTENANCE

FRONT END ALIGNMENT PROCEDURE

Find center line of tire front and back

Check with tape measure to see difference

The front should be 1/16 inch more than the rear

1/16 inch toe out, if less or greater loosen the two bolts on the tie rod clamp

Turn clamp in or out to achieve desired setting—1/16 in toe out

Retighten two bolts on the tie rod clamp

