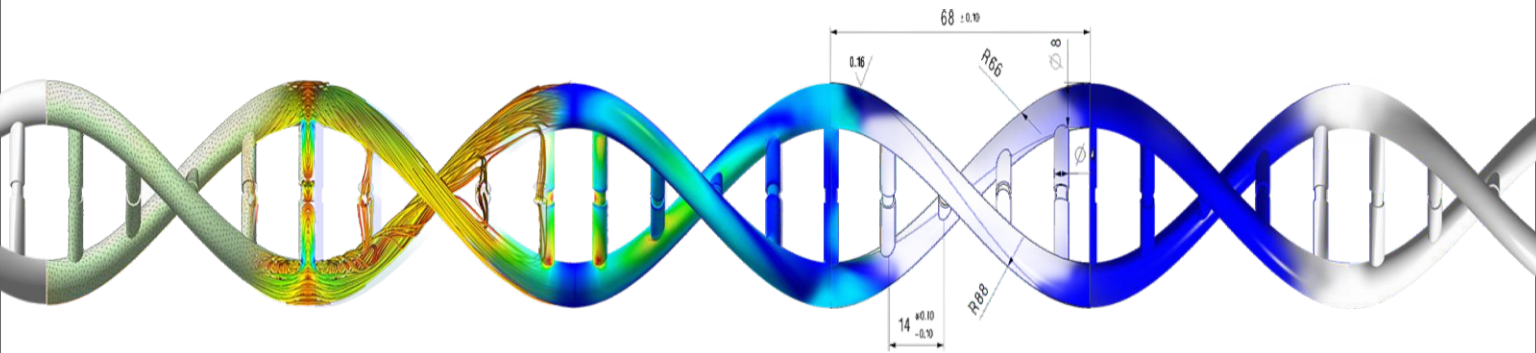


DBA Design By Analysis is our **DNA**



eBHARAT DEA Technologies



PRODUCT DEVELOPMENT AND MANUFACTURING

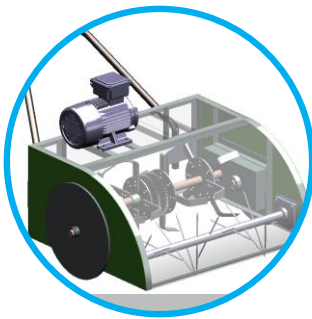
Medium, Small and Micro Scale Enterprises (MSME) are the backbone of large organizations. They always thrive for excellence to build a quality product to the global standard. Though they are domain experts, hiring and retaining Design/CAE professional is always challenge considering future growth and cost incurred. eBHARAT fits into space with young design and CAE engineers.

At the Glance

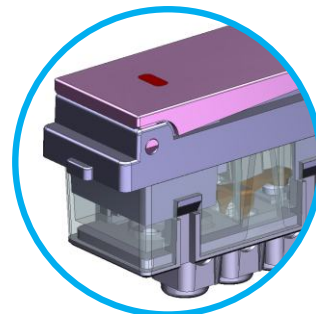
- Access to domain experts
- Expertise in Design , good understanding of manufacturing
- Software Skills : UG-NX, OnShape, Autodesk Fusion, DraftSight, ANSYS Space Claim , ANSYS Mechanical

In-house tool room for job and batch production

- Hwacheon Hi-Eco 11(CNC Turning Machine)
- BULMAK Y251 Universal Milling
- Lathe Machine
- Drilling Machine
- Flypress
- General Tool and measuring , inspection tools



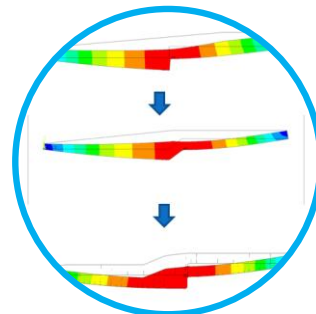
Tiller for Poultry Application



Flat Switch Mechanism
Validation



Toggle Clamp for Blind Punching
in Aluminum Tubes



Stepped Girder with
two Daylight

MECHANICAL ENGINEERING SERVICES

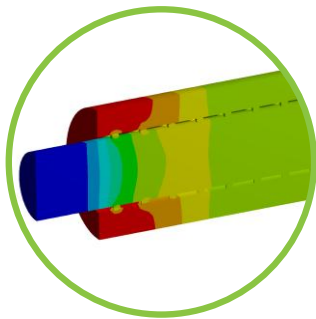


eBHARAT Services offers solutions across the value chain from create to validate to build and support making it a unique one stop solutions provider for Mechanical Engineering Services. We have a proven track record of offering end-to-end Mechanical Engineering solutions for customers **Nuclear, Oil & Gas, Petrochemical and Heavy engineering** verticals helping design faster, reduce cycle times and performance improvements.

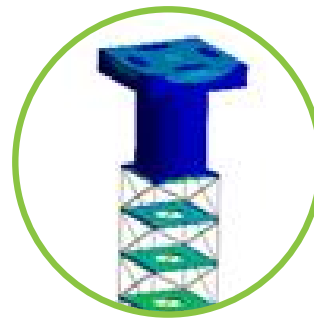
With a handful of experience in Design by Formula (DFA), acquaintance with pressure vessels codes and manufacturing knowledge, eBHARAT DNA is Design by Analysis (DBA) which we implement using ANSYS and other advance CAD tools. With ANSYS expertise and decade experience of leadership team, Team eBHARAT is always ready to more challenges.

Types of Design Analysis

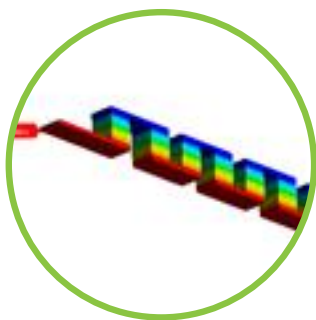
- **Static Structural:** Linear & Non Linear (Material/Geometry /Status)
- **Structural Dynamics:** Modal, Harmonic, Transient, Seismic, Random Vibration, Frequency response, rotor dynamics, transient dynamics
- **Advance Analysis :** Buckling, explicit dynamics, drop , shock , blast, Coupled Field, FSI, Rigid Body Dynamics , Shape optimization
- **Fatigue :** High cycle, Low Cycle , ASME code based
- **Thermal :** Steady State, Transient, Couple Field, Thermal Electric, Thermal Structural
- **General :** Formula Based ASME Code Design, Engineering and Drafting



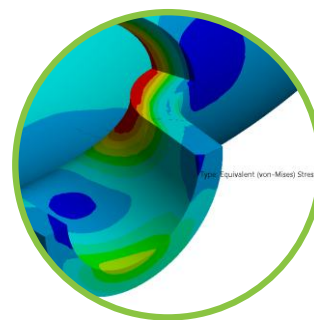
Acoustic Simulation
for Muffler



Offshore structure
simulation



Thermo-Electrical
Simulation



EL-PL simulation as
ASME BPVC

CORPORATE TRAINING

ANSYS MECHANICAL



With a decade of industrial experience in ANSYS, leading CAE software worldwide, eBHARAT conducts corporate training courses in ANSYS Mechanical. Also, eBHARAT is preferred corporate trainer and technical support partner for one of ANSYS national distributor.

The handful of industrial experience of 10 years, we are capable of conducting ANSYS courses combined with requirements of ASME BPVC Section VIII and Section III.

Basic

- ANSYS Mechanical Introduction (3 Days)
- ANSYS Mechanical – Introduction to APDL (2 Days)
- ANSYS Mechanical Non- Linear Material (1 Day)
- ANSYS Design Modeler (1 Day)
- ANSYS SpaceClaim (1 Day)

Advance

- ANSYS Mechanical Structural Non Linear – Introduction (2 Days)
- ANSYS Mechanical Non- Linear Connections (2 Days)
- ANSYS Mechanical Linear & Non- Linear Dynamics (2 Days)
- ANSYS Mechanical – Heat Transfer (2 Days)
- ANSYS Mechanical – Advance APDL (2 Days)
- ANSYS Mechanical Fatigue Module (1 Day)
- ANSYS Mechanical Rotodynamics (1 Day)

Customized

- ANSYS Mechanical + Introduction ASME BPVC Section VIII Div.2
- Short / customized courses on specific topics e.g. Methods for Modeling bolts



ANSYS Fast Track Course
for 20 ARDE, Pune Scientist



Certificate handover to ARDE Scientist
-ANSYS Fast Track Course



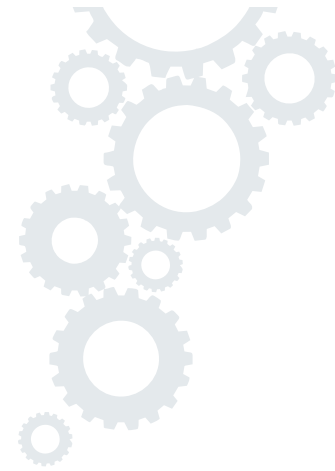
Faculty Development Program
for D.Y. Patil SOE , Ambi



ANSYS Dynamics Training
@ ANSYS Bangalore Office

eBHARAT Story

eBHARAT started in Nov 2012 to provide Mechanical Engineering Services mainly in Pressure Vessel and Nuclear Equipments Design. During 3 years of successful run, the company also worked in areas of Product Development in alliance with in MSME and Corporate Training for ANSYS Mechanical. A team of professional engineers are consistently delivering work which is recognized for value addition, improvement and First Time Right Quality. Now young eBHARAT with an average age of 24 years has established a work culture which encourages for innovation and ensures Work-Life balance.



At a Glance

- Team of 10 Young Engineers
- Projects Executed: 120+ CAE, 10+ CAD, 3 CFD, 6 Product Development
- 3 MSME's Designs Patented, 2 designs in-process
- Licensed Software: ANSYS Mechanical Enterprise, ANSYS SpaceClaim, UG-NX, OnShape
- Tool Room: Bulmak y-251 Universal Milling Machine, Lathe Machine, Drilling machine, Fly press machine

Leadership Team



Shankar

Sandeep

- Shankar Jagdale: Shankar, Post Graduate in Mechanical Engineer, is an ANSYS Mechanical Expert with 12 years of experience in Design and CAE. Nuclear equipment and pressure vessel design are one of his core strength.
- Sandeep Patil: Sandeep, pursuing his Doctorate from UTA, Texas, has 7 years of experience as Scientist at BARC, India. His expertise is in thermal-fluid, electro-mechanical and automation.

Clientele



eBHARAT DEA Technologies

Operating Off.:

304, Saanvi, Near Nutan Polytechnic, Talegaon Dabhade, Pune- 410507, Maharashtra, India

Tel. : +91-9220 30 60 60 | Email: info@ebharat.co.in | www.ebharat.co.in

eBHARAT brand, product, service and feature names, logos and slogans are registered trademarks or trademarks of eBHARAT DEA Technologies. All other brand, product, service and feature names or trademarks are the property of their respective owners.