



## **ECO SILENT 52" CEILING FAN Installation Manual**



**CFFCES3WH White**



**CFFCES3LWH White  
with LED Light**

### **YOUR FANCO DC CEILING FAN:**

Congratulations on the purchase of your new quality Fanco DC Ceiling Fan. Before first using, it is most important that you read and follow the instructions in this use and care booklet, even if you feel you are quite familiar with this type of product.

Find a place and keep this booklet handy for future reference.

**MUST BE INSTALLED BY A QUALIFIED ELECTRICIAN**

## IMPORTANT SAFEGUARDS:

Read all instructions carefully, even if you feel you are quite familiar with this type of appliance. When using electrical appliances, in order to reduce the risk of fire, electric shock, and/or injury, these basic safety precautions should always be followed:

1. This appliance **MUST** be installed by a Qualified Electrical Contractor in accordance with the local regulations, and all local, state and national electrical codes. Any alterations or additions to building wiring must be completed by a licensed electrical mechanic, or person authorised by legislation to work on the fixed wiring of any electrical installation.
2. The ceiling fan must be connected to a 240V AC 50Hz power supply.
3. All electrical work must only be undertaken after disconnection of the power by removing fuses or turning off the circuit breaker, to ensure all pole isolation of the electrical supply.
4. The fan must be earthed.
5. The fan must be installed so that the blades are **at least** 2.1 metres above the floor.
6. The structure that the ceiling fan is connected to must be capable of supporting a weight of at least 45kg. The fixing must be able to support the moving weight of the fan and must not twist or work loose.
7. Make sure that the installation site will not allow the rotating fan blades to come into contact with any object and that there is a minimum clearance of 150mm (6") from the blade tip to the wall or ceiling. Please note that the bigger this clearance is the better the airflow from your fan will be.
8. **DO NOT** use outdoors. Installing the fan in a position where it could be exposed to water or moisture is dangerous.
9. **DO NOT** connect the fan motor to a dimmer switch. This may give an unsatisfactory performance (motor hum) and cause damage to the motor. Use **ONLY** the provided remote controller for fan speed control.
10. **DO NOT** connect the LED fan light to a dimmer switch, the LED light is Non-dimmable.
11. This appliance is not intended for use by young children or infirm persons without supervision.
12. Young children should be supervised to ensure that they **DO NOT** play with the appliance.
13. It is not recommended that ceiling fans and gas appliances be operated in the same room at the same time.
14. The fan must be turned off and stopped completely before reversing the fan direction. This will prevent any damage to the motor of the fan or controller (if installed).
15. Do not insert anything into the fan blades whilst they are spinning. This will damage the blades and upset the balance of the fan causing the unit to wobble.
16. After the fan is completely installed make sure that all base and fan blade fixings are secured and tightened to prevent any problems.
17. A blade balancing kit is included. Ensure blades are balanced immediately after installation to reduce wobble and noise.
18. Because of the fan's natural movement, some connections may loosen. Check the support connections, brackets and blade attachments twice a year to make sure they remain secured. If any are loose, tighten.
19. An all-pole disconnection incorporated in the fixed wiring is to be provided, such as a n all-pole switch or a supply cord fitted with a plug.

## IMPORTANT NOTE:

**The important safeguards and instructions given in this manual are not meant to cover all possible conditions and situations that may occur. It must be understood that common sense, caution and care are factors which cannot be built into any product. The persons caring for and using the unit must supply these factors.**

## FAULT FINDER:

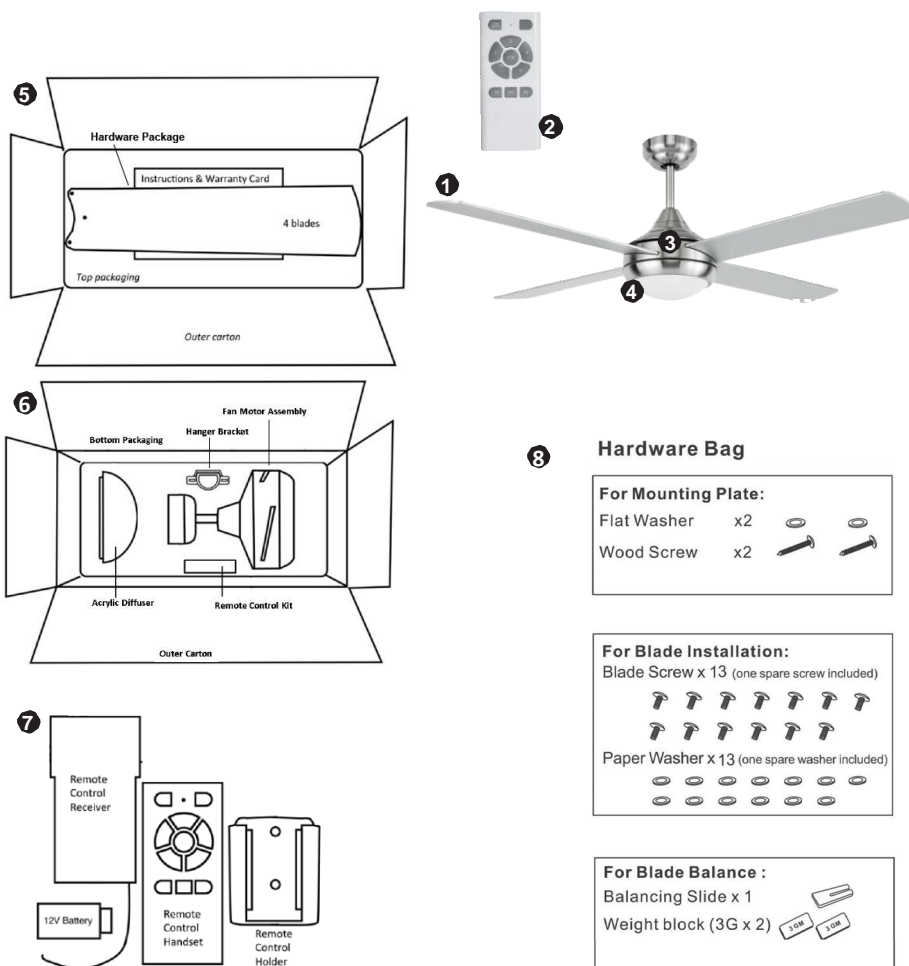
- Always check the "Trouble Shooting Checklist" included in this booklet before seeking warranty claim.
- Mechanical noise may be noticed on installation. Allow at least 8 hours settling-in period.
- Some fans may wobble more than others, even if they are the same models. This does not necessarily indicate a fault.

## PREPARATION:

- Unpack your ceiling fan carefully, then remove all parts and components, and lay on a cloth or soft surface to avoid damage. **DO NOT** lay the motor housing on its side, the housing may get damaged.
- Before commencing installation, check that all parts are included. **NB:** You may need to remove all foam packaging material to ensure there are no missing components.
- Your fan comes fully assembled. The diagram below shows the internal components of the fan. (Model with LED Light shown)

## PARTS LIST

1. Blades
2. Remote Control
3. 30W DC Motor
4. LED Light (for model with Light)
5. Contents of Top packaging
6. Contents of Bottom packaging
7. Contents of Remote control kit
8. Contents of Hardware bag



### SELECTING A LOCATION:

- Choose a location for mounting the fan where the blades will have **at least** 2.1 metres of clearance from the floor.
- Make sure that the installation site will not allow the rotating fan blades to come into contact with any object and that there is a minimum clearance of 150mm (6") from the blade tip to the wall or ceiling. Please note that the bigger this clearance is the better the airflow from your fan will be.
- DO NOT use outdoors. Installing the fan in a position where it could be exposed to water or moisture is dangerous. Refer to Warranty terms for Alfresco use.
- If the location you have chosen does not have a suitable support beam capable of supporting 45Kg, install a brace 2" x 4" between the ceiling joists as a support medium.

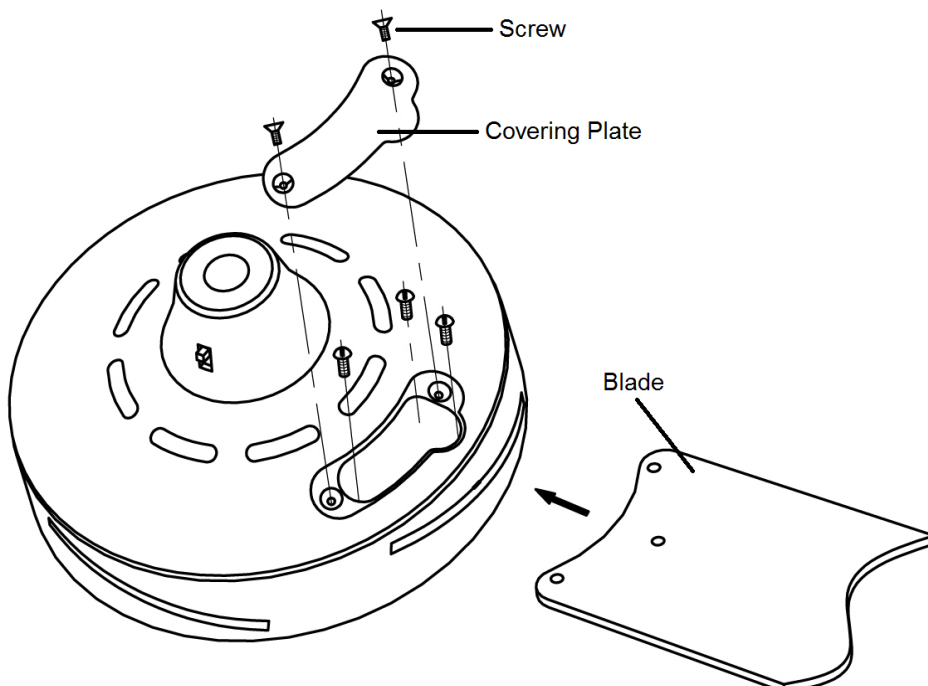
### ASSEMBLY:

Unlike most ceiling fans, the Fanco Eco Silent Ceiling Fan requires you to attach the blades to the motor **BEFORE** mounting the motor to the ceiling.

If installing more than one ceiling fan, ensure that the blades do not get mixed up between units, as each set is dynamically balanced.

### BLADE ATTACHMENT:

1. Remove the two screws from the covering plate on top of the motor housing, then remove the Covering plate.
2. Insert the blade through the slots around the motor. Align the blade with the three holes, and secure the three screws through the opening exposed when the covering plate was removed. If the holes do not align, the blade is upside down. The blade is designed to fit snugly, the screws should be vertical with the blade.
3. Tighten all blade screws evenly and securely to ensure quiet, wobble free operation of the fan.
4. Replace the covering plate on top of the motor housing by reversing step 1.



# MUST BE INSTALLED BY A QUALIFIED ELECTRICIAN

## INSTALLATION

**Note: This is NOT a DIY product. This ceiling fan must be installed by a licensed/qualified electrician.**

**CAUTION:** Before installing the fan, make sure you have turned OFF the electricity supply.

1. Secure the hanging bracket to the ceiling joist or suitable structure that is capable of carrying a load of at least 45kg, with the two long fixing screws provided. (Fig 1)
2. Ensure that at least 30mm of the screw is threaded into the support.

NB: The fixing screws included are designed for use when ceiling fan is secured onto timber joists. For all other surfaces, additional and suitable fixing screws for that surface will need to be purchased.

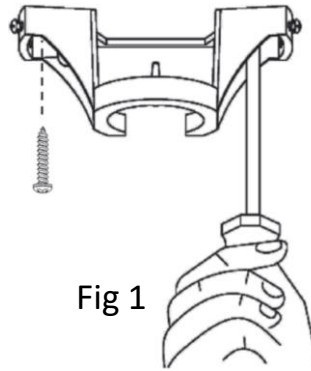


Fig 1

3. Make sure that the position of installation will not allow the blades to come into contact with any object. The fan must be mounted so that the tips of the blades are at least 2.1 metres above the floor.
4. Carefully lift the fan, and place the down rod ball assembly into the mounting plate. (Fig 2)
5. Slowly rotate the shaft until the ball correctly locks into place. (Fig3)
6. Refer to the following section detailing 'Electrical Wiring' for details on how to wire this product correctly.

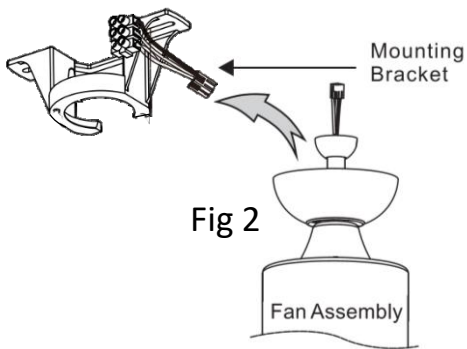


Fig 2

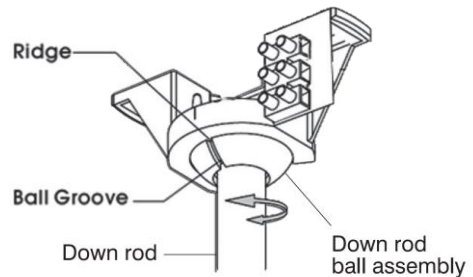
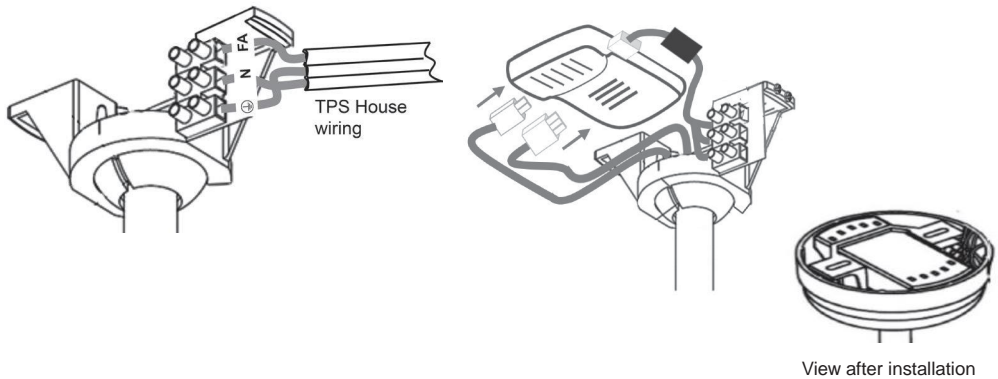


Fig 3

## ELECTRICAL WIRING

**This fan must be installed by licenced electrician.**

For your convenience, and to assist in easy installation & cleaning, your ceiling fan is connected with easy connectors.

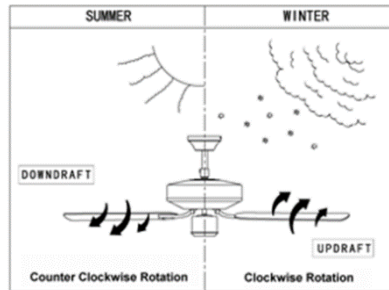


**IMPORTANT: ENSURE ALL CABLES ARE ELECTRICALLY ISOLATED BEFORE WIRING.**

- 1) Wire the incoming power cables to the terminal block mounted on the hanging bracket. Wire Active, Neutral and Earth to the corresponding FA, N, ⊕ terminals respectively.
- 2) The remote receiver has been pre-wired to the hanging bracket. Do not remove. Connect the quick-connect plugs between the remote receiver and the motor (see above image). Note: The Model with light has two plugs. The model without light has one plug.
- 3) Slide the Remote Receiver unit inside the hanging bracket and carefully position all excess cable inside the boundaries of the hanging bracket.
- 4) Slide the canopy up to cover the ball joint, wiring, receiver unit and hanging bracket, then secure in place.
- 5) Power up the fan.
- 6) Install the battery into the remote control and operate the fan blade speed and light with the handheld remote control unit.
- 7) Note: If more than one fan and remote is to be installed, then program each fan individually with only the fan to be programmed powered on. The other fan must be disconnected from the power.

## REVERSE FUNCTION:

The “Summer / Winter” reverse function is included in the remote control to make the fan rotate in an anti-clockwise direction during summer. In winter, this can be reversed, so that the blades now move in a clockwise direction.



## CARE & CLEANING:

- Periodic cleaning of your ceiling fan is the only maintenance required.
- Use a soft brush or lint free cloth to avoid scratching the finish. Please turn off electricity when you do so.
- Do not use water when cleaning your ceiling fan. It could damage the motor or the wooden blades and create the possibility of an electrical shock.
- The motor has a permanently lubricated ball bearing and as such, is maintenance free.

## NOISE:

The manufacturer warranty covers actual faults that may develop, but NOT minor complaints, e.g. motor operation noise - ALL ELECTRIC MOTORS ARE AUDIBLE TO SOME EXTENT; this is more obvious when the fan is operating at low speeds.

## WOBBLE:

- Ceiling fans are designed to move during operation because they are not generally rigidly mounted
- Movement of a couple of centimetres is acceptable for safe operation.
- Balancing kits included could be used to adjust the balancing.

## NORMAL WEAR AND TEAR:

Threaded components working slightly loose or blade carriers even slightly bent due to vigorous cleaning or bumping can cause extra wobble and noise. THIS IS NOT COVERED UNDER WARRANTY but a little care and maintenance can reduce or prevent this problem.

## BALANCING:

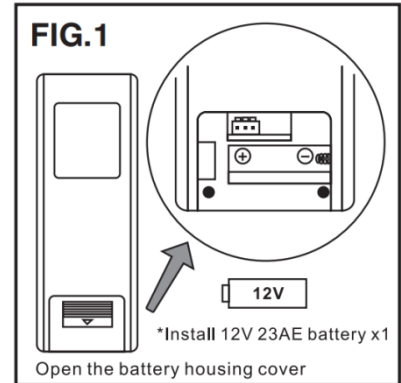
1. This fan includes a blade balancing kit. Upon initial installation, the balance kit should be used on the fan blades to reduce wobble.
2. The balance kit includes instructions on how to perform the balancing procedure.
3. Balancing the fan and reducing wobble will result in quieter operation and optimum performance.

## REMOTE CONTROL SETTING and OPERATION FOR DC MOTOR FANS

After completing the ceiling fan installation, install the 12V battery (included) in the hand held remote control (FIG 1). The fan is ready for use with the remote control without setting up.

NB: Your fan is equipped with an automatically learning remote control. The remote control has been preset. The serial number sticker is paired on both the transmitter and receiver.

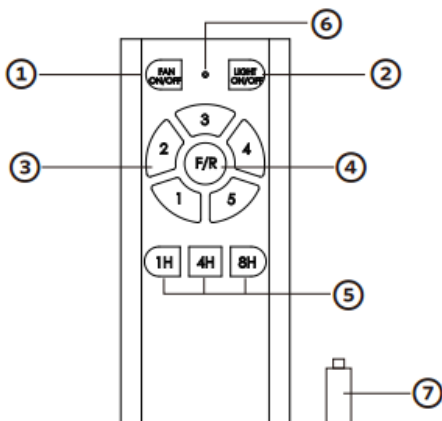
In the event the fan does not operate, follow the remote control setting up steps below.



### Remote setup:

1. Turn off the main power and wait for at least 10 seconds.
2. While holding down the Fan On/Fan Off button, switch the power on to the fan and continue to hold down the button for 5 seconds until the receiver (inside the fan assembly) beeps.
3. Successful connection will also result in the fan blades rotating for approximately 1 minute.
4. Setup is completed.
5. For multiple fans ensure only the fan being programmed is connected to power.

**NB:** For best performance the remote control should be used within a 10m range of the fan.



- ① ON/OFF - Fan Operation
- ② ON/OFF - Light Operation
- ③ Fan Speed(1-Low Speed → 5 -High Speed)
- ④ Direction of the fan (reverse switch)
- ⑤ Fan control timer (1hr/4hrs/8hrs)
- ⑥ LED indicator light
- ⑦ 12V battery (included)



## TROUBLESHOOTING:

TROUBLE	POSSIBLE CAUSE	SUGGESTED REMEDY
Fan will not start	A) Fuse blown or circuit breaker tripped	A) Check fuses and circuit breakers
	B) Loose wire connections or plugs to fan/controller	B) Check wire connections and ensure plugs are positively connected
	C) Battery flat in remote control	C) Replace 12V battery in remote control
Fan wobbles	A) Fan blades are not horizontal to the ceiling	A) Retighten all screws on blades. <b>Do not</b> make any adjustments by applying pressure up or down on blades
	B) Blade screws are loose	B) Make sure all screws are tightened
	C) Blades are not balanced enough	C) Use the provided balancing kit to balance the blades
Fan sounds noisy	A) Loose fan blades	A) Retighten all screws on blades.
	B) Ceiling fan not secured against ceiling	B) Retighten all screws on the mounting bracket
Mechanical noise	A) Fan has not settled in fully	A) Allow at least 8 hours of use for the fan to set in

## TECHNICAL DATA:

MODEL NUMBER	RATED VOLTAGE	RATED POWER FOR DC MOTOR	Rated LED LIGHT POWER	Dimming Function
CFFCES3WH	240VAC	30W	NA	NA
CFFCES3LWH	240VAC	30W	18W	NO

## WARRANTY CONDITIONS:

Installation must be performed by a qualified and licensed electrician. The warranty will not apply if the ceiling fan is installed by other than a licensed electrician. Problems arising from incorrect installation are not covered by warranty. The cost of repairs and / or service call arising from incorrect installation, not due to faulty material or workmanship in accordance with the Fanco warranty, will be payable by the purchaser at the time of repair.

This warranty is only valid for appliances used according to the manufacturer's instructions. The manufacturer does not accept liability for any direct or consequential damage, loss or other expense arising from misuse or incorrect installation and operation of the appliance. Warranty will only be provided where proof of qualified electrical installation is provided. Eg. Electrical Safety Certificate.

The manufacturer will not accept in home expenses unless authorisation is granted prior to work commencing, and a CA number allocated.

The in-home component of this warranty covers only actual electrical work undertaken, on or to the ceiling fan.

Where a service call is undertaken and no fault is found with the ceiling fan, or where the fault is not covered under the terms of this warranty, a call-out fee may be charged.

This product is not designed or intended for industrial or commercial use.



## Fanco Warranty

Please note, this warranty voids any other warranties supplied with this product and complies with the new consumer guarantee requirements.

### WARRANTY:

The benefits conferred by this warranty are in addition to all implied warranties, other rights and remedies in respect of the product, which the consumer has under Australian Consumer Law.

The original purchaser of this Fanco Ceiling Fan is provided with the following warranty subject to the following conditions.

Fanco warrants this ceiling fans motor for a period of 5 years from the date of purchase, the first 2 years are covered by an in-home warranty. All parts deemed defective in workmanship or materials will be replaced free of charge.

The Eco Silent fan range is a wooden bladed fan and is therefore recommended and warranted only for installation and use indoors. The warranty will not cover any situations where the fan has been installed in an outdoor location, including where installed in an Enclosed Alfresco area.

This warranty is in addition to any other rights and remedies of the customer under any law. In applications not intended for household, personal or domestic use, liability is limited to replacement or reimbursement of product only.

*Our goods come with guarantees that cannot be excluded under the Australian Consumer Law. You are entitled to a replacement or refund for a major failure and compensation for any other reasonably foreseeable loss or damage. You are also entitled to have the goods repaired or replaced if goods fail to be of acceptable quality and the failure does not amount to a major failure.*

Any claim under this warranty must be made within 5 years of the date of purchase of the product. To make a claim under the warranty, contact Brilliant Lighting at the address below.

This warranty is given by:  
Brilliant Lighting (Aust) Pty. Ltd.  
ABN 37 006 203 694  
956 Stud Road Rowville, VIC 3178  
Phone: 03 9765 2555  
Email: [info@brilliantlighting.com.au](mailto:info@brilliantlighting.com.au)