



# EDELBROCK THUNDER SERIES AVS CARBURETORS

Catalog #1801, 1802, 1803, 1804, 1805,  
1806, 1812, 1813, 1825, 1826

## INSTALLATION INSTRUCTIONS

**PLEASE** study these instructions carefully before beginning this installation. Most installations can be accomplished with common tools and procedures. However, you should be familiar with and comfortable working on your vehicle. If you do not feel comfortable performing this installation, it is recommended to have the installation completed by a qualified mechanic. If you have any questions, please call our **Technical Hotline at: 1-800-416-8628**, 7:00 am - 5:00 pm, Pacific Standard Time, Monday through Friday or e-mail us at [Edelbrock@Edelbrock.com](mailto:Edelbrock@Edelbrock.com).

**IMPORTANT NOTE: Proper installation is the responsibility of the installer. Improper installation will void your warranty and may result in poor performance and engine or vehicle damage.**

**DESCRIPTION:** Edelbrock Thunder Series AVS carburetors have been calibrated, factory flow-tested, and preset. These instructions also apply to carburetors featuring our EnduraShine™ finish. Please read all instructions prior to installation. For "Theory of Operation" and "Tuning Procedures", see the accompanying carburetor Owner's Manual. **These are non-emissions carburetors, check your local emissions laws.**

**NOTE: Edelbrock Thunder Series carburetors are not for computer-controlled applications. That includes some 1981 & later GM vehicles with Q-Jet carburetor and some 1981 & later Ford vehicles with automatic overdrive (AOD) transmissions.**

**SPECIAL NOTE (1803 & 1804):** These 500 CFM carburetors are calibrated for out-of-the-box performance on dual-quad applications ONLY. For single-carb applications, you should use carburetor 1801 or 1802. If you already have carburetor 1803 or 1804 you can recalibrate the carburetor prior to use. Calibration Kit #1486 contains all jets and rods necessary to recalibrate 1803 or 1804 carburetors. Edelbrock has found the following to be a good starting point for most performance applications requiring a 500 CFM carburetor:

<b>Primary Jet</b>	.086" (Factory setting)
<b>Primary metering rod</b>	.065" x .052" (#1460)
<b>Secondary Jet</b>	.095" (#1426)
<b>Air Valve Secondary Setting</b>	1-1/2 Turns (See Fig. 12, Page 6)

### KIT CONTENTS

- |   |  |
|---|--|
| <input type="checkbox"/> 1 Installation instruction sheet | <input type="checkbox"/> 1 1/4" NPT pipe plug  |
| <input type="checkbox"/> 1 Owner's Manual                 | <input type="checkbox"/> 1 Throttle cable ball end stud                              |
| <input type="checkbox"/> 1 Warranty card                  | <input type="checkbox"/> 1 10-32 Hex nut   |
| <input type="checkbox"/> 1 Square-bore base gasket        | <input type="checkbox"/> 1 3/16" Internal star washer                                |
| <input type="checkbox"/> 1 Air horn gasket                | <input type="checkbox"/> 1 Red choke positive wire (Electric choke carburetors only) |
| <input type="checkbox"/> 1 Air cleaner stud               | <input type="checkbox"/> 1 Black choke ground wire (Electric choke carburetors only) |
| <input type="checkbox"/> 2 5/32" Vacuum caps              | <input type="checkbox"/> 4 5/16" SAE flat washers (EnduraShine™ finish only)         |
| <input type="checkbox"/> 1 5/32" Vacuum "T"               |  |

### CHECK THE FOLLOWING BEFORE BEGINNING INSTALLATION

**WARNING: WHEN WORKING AROUND GASOLINE, ALWAYS WORK IN A WELL VENTILATED AREA, AND KEEP ALL OPEN FLAMES, SPARKS AND OTHER SOURCES OF IGNITION AWAY FROM THE WORK AREA. FAILURE TO DO SO CAN RESULT IN A FIRE OR EXPLOSION.**

- |   |   |
|---|---|
| <input type="checkbox"/> Replace fuel filter. Dirt found in carburetor voids warranty.  | <input type="checkbox"/> Check fuel pump for proper operation and replace, if necessary.  |
| <input type="checkbox"/> Check and replace the air filter, if necessary.                | <input type="checkbox"/> Check the intake manifold and cylinder head gaskets for leaks and replace, if necessary.                 |
| <input type="checkbox"/> Check PCV valve and replace, if clogged.                       | <input type="checkbox"/> Check the ignition system: clean and gap or replace spark plugs, plug wires, and adjust ignition timing. |
| <input type="checkbox"/> Check all hoses for leaks or cracks and replace, if necessary. |   |

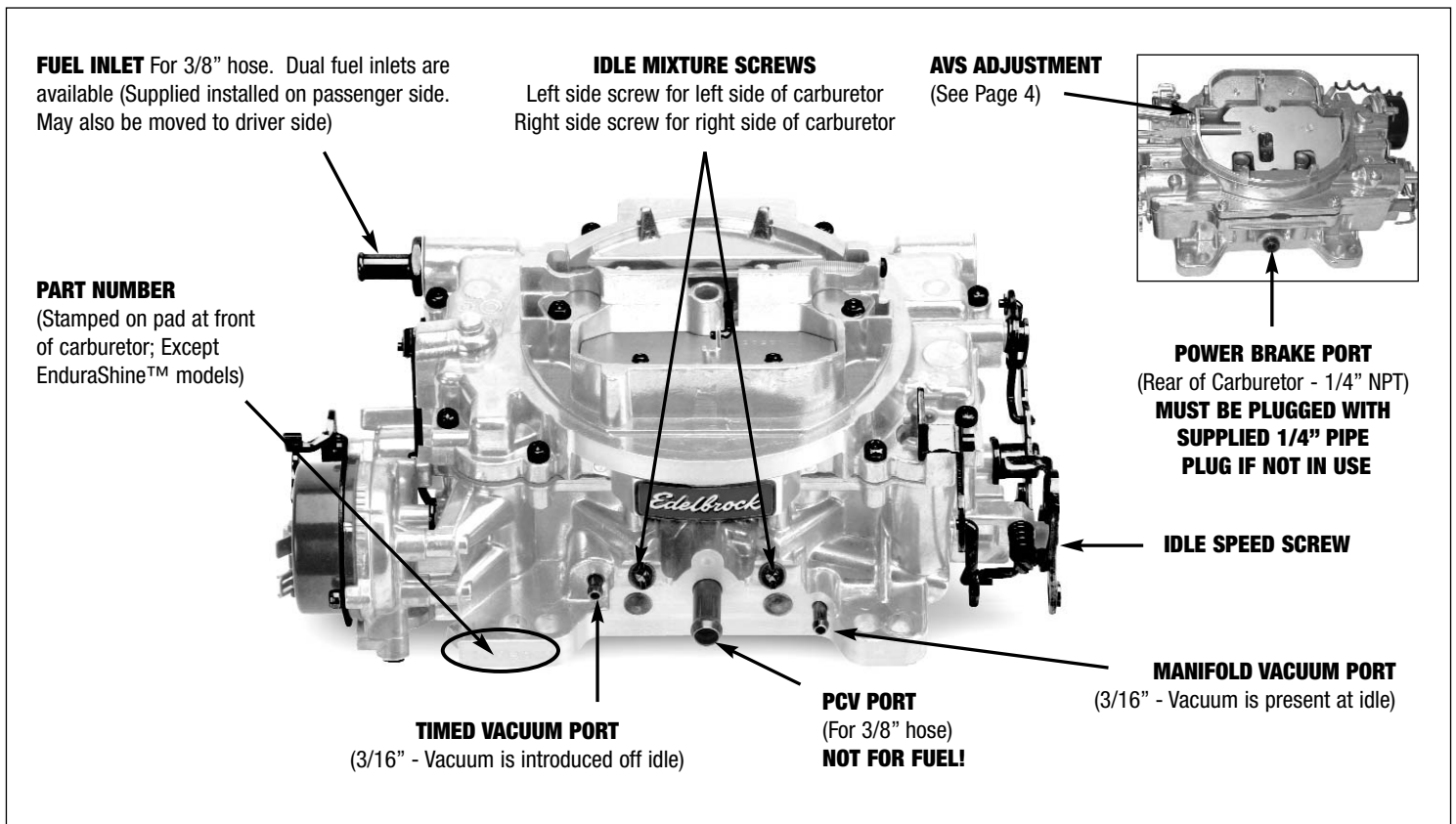
## RECOMMENDED TOOLS

- Sockets/wrenches/tubing wrenches
- Pliers
- Screwdrivers
- Hacksaw and/or tubing cutter
- #20 Torx Driver (for electric choke models)
- Wire crimpers (for electric choke models)
- Test Meter or Test Light (for electric choke models)

## PARTS RECOMMENDED FOR INSTALLATION

- New Fuel Filter (Edelbrock #8135 or equivalent) or Fuel Line/Filter kit such as Chrome Steel Fuel Line Kit #8134, Dual Feed Line #8132, Dual Feed Line with blue filter #8133, or Dual Feed Line with polished filter #8128
- Banjo Fuel Fitting #8089 (If required for fuel line clearance)
- New Air Cleaner (Edelbrock #1221 or #4221 recommended)
- Air cleaner spacer #8092 (3/4") (If using stock air cleaner)
- Choke cable kit (manual choke carburetors)
- Throttle Linkage Kits for Ford or Chrysler applications (see "Carburetor Preparation" section, Step #1)
- Electrical connectors (electric choke carburetors)
- Carburetor adapter, for other than square-bore intake manifolds. Do not use a 4-bbl. to 2-bbl. adapter. Edelbrock carbs must be used on intake manifolds designed for 4-bbl. carburetor only!
- Throttle cable, transmission, and cruise control bracket #8031 for small-block and big-block Chevy, or #8032 for small-block Chevy with Vortec and E-Tec intakes. Other applications may require modification to original throttle cable bracket.
- Universal throttle return spring kit #8005 (If original return spring cannot be used)

## INSTALLATION PROCEDURE



**Figure 1 - Fittings and Vacuum Port Location**

**BEFORE REMOVING OLD CARBURETOR**

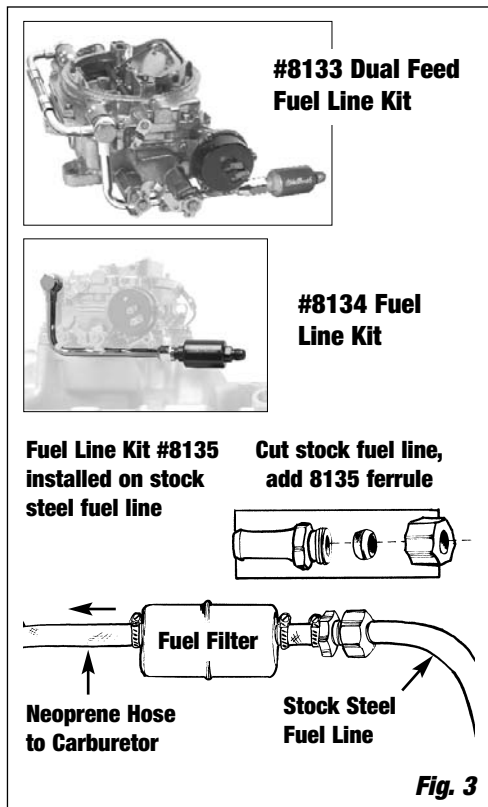
1. **Determine if the distributor vacuum port is timed (no vacuum at idle) or full (vacuum present at idle).** With the engine fully warmed up and idling, pull the vacuum hose off of the carb and "feel" for vacuum by putting your finger on the vacuum port (**See Fig. 2**). If your distributor has timed vacuum advance, hook the vacuum hose from the distributor to the passenger side vacuum port on the carburetor. If it has full vacuum advance, hook it up to the driver's side vacuum port.



**Fig. 2**

2. **The stock steel fuel line must be converted** to either a fuel resistant rubber hose or one of the Edelbrock fuel line kits. The stock steel fuel line will not connect to the Thunder Series Carburetors. Use one of the Edelbrock Fuel Line and Filter Kits #8133 (dual feed), #8134 and #8135 as seen on the Edelbrock website or in the Edelbrock catalog (**See Fig. 3**).

**NOTE:** After cutting fuel line, remove sharp edges and clean out any chips.



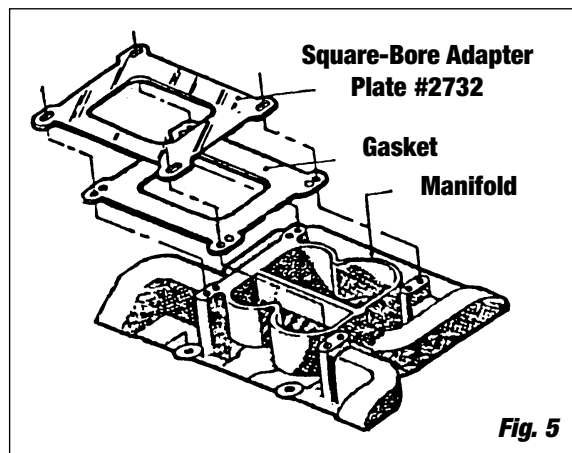
**Fig. 3**

3. **Always use a new fuel filter.** Failure to do so will void the warranty.
4. Edelbrock Adapter #2696 or Adapter/Fuel Line Kit #2697 must be used when installing a Thunder Series Carburetor on a General Motors Quadrajet or Chrysler Thermoquad manifold. #2697 includes Adapter #2696 and Fuel Line Kit #8135 (**See Fig. 4**).



**Fig. 4**

5. You must use an Edelbrock Adapter #2732 when installing a Thunder Series Carb on some Edelbrock manifolds (**See Fig. 5**). Refer to the instructions included with the manifold for details.



**Fig. 5**

6. **Do not use more than 6.5 psi fuel pressure.** Excessive fuel pressure may cause flooding. If your fuel pressure is too high, install an adjustable pressure regulator such as Edelbrock #8190, or #1727.
7. It may be necessary to re-route the fuel line to prevent interference with the air cleaner. Test fit your air cleaner on your new carburetor before you begin installation. Look for areas of interference such as the choke housing, fuel inlet fitting and fuel line.

**THUNDER SERIES CARBURETOR INSPECTION**

1. Check for possible damage to carburetor.
2. Make sure all throttle linkages operate freely
3. Ensure that all fuel inlet and vacuum ports are free from packing material.

## CARBURETOR REMOVAL

1. Prior to removal make sure that the engine is cool.
2. Disconnect negative battery cable from battery.
3. Remove air cleaner. Be sure to carefully disconnect any hoses from the air cleaner and note their location for re-installation. You may want to mark them with masking tape for easy reference.
4. Disconnect throttle linkage, kickdown linkage (certain automatic transmission applications only), cruise control (if equipped) and any return springs, if present.

**NOTE:** Check carefully for the precise location of all these linkages and return springs. You may want to mark them with masking tape for easy reference.

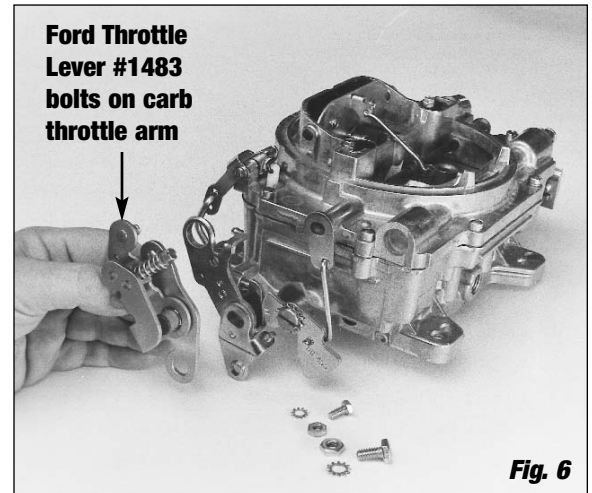
5. Disconnect all wires, tubes and hoses from carburetor and note their location.

**NOTE:** There should be a maximum of one wire to the electric choke and one to the idle compensator solenoid (if applicable). Any other electrical wiring attached to your carburetor indicates a computer controlled engine, and any Edelbrock carburetor will not function correctly on computer controlled applications.

6. Disconnect the heater tube from the choke housing (if so equipped). Edelbrock carburetor do not use the hot air style choke, so this tube may be left disconnected with no problems. If you want to cover this opening on a stock intake manifold, you may be able to use the appropriate Edelbrock choke adapter plate: #8901 for small-block Chevrolets; #8961 for big-block Chevrolets; #8951 for Oldsmobile V8s; #8971 for 351-M/400 Fords; #8981 for 351-W Fords.
7. Carefully remove fuel line from carburetor. **TAKE EXTREME CARE NOT TO SPILL ANY EXCESS FUEL.** Place a rag underneath the fuel line to absorb any spillage that may occur. Certain models require two wrenches to remove the fuel line; one to hold the fitting on the carburetor and the second to turn the fitting on the fuel line. Use a tubing wrench to avoid rounding the tube fitting nut.
8. Remove mounting nuts or bolts and washers. Be sure to put them where they won't fall into the intake manifold upon carburetor removal.
9. Remove carburetor, being careful not to spill any dirt into the intake manifold. Immediately place a clean rag into the manifold to keep foreign objects out.
10. Remove old mounting gasket and thoroughly clean mounting surface. Compare old carb gasket to gasket included with new carburetor. If there is a difference in bolt pattern or bore spacing, an adapter will be required (see "Before Removing Old Carburetor", section, steps #4 & #5).

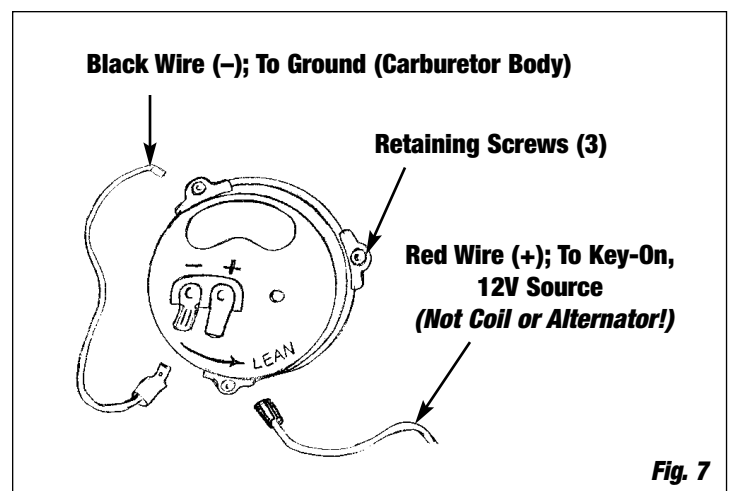
## CARBURETOR PREPARATION

1. Compare throttle arm of your new carburetor with the old one to be sure that all required linkages will hook up. Install proper throttle and transmission linkage for your particular application. Throttle stud is removable and must be installed in the proper location. Chrysler vehicles with automatic transmission will require Throttle Lever Kit #1481. Ford vehicles with automatic transmission and cable linkage will require Throttle Lever Kit #1483 (**See Fig. 6**) and Throttle Cable Plate Kit #1490 (for 289-302), #1491 (for 351-W), #1493 (for 351-C & 351-M/400), or #1495 (for 429/460).



**Fig. 6**

2. Check and prepare carburetor for proper vacuum fitting installation (EGR, power brakes, PCV, distributor, transmission, etc.) using supplied vacuum caps, "T", and hose when applicable. **If vacuum port at rear of carb is not used, plug with the 1/4" pipe plug supplied.**
3. On electric choke models (**See Fig. 7**), remove one choke housing retaining screw and install eyelet end of choke ground wire (black) to choke housing and reinstall screw. Connect clip end of choke ground wire to negative (-) spade terminal on choke housing.



**Fig. 7**

## CARBURETOR INSTALLATION

1. Remove rag from intake manifold and install new studs, mounting gasket and adapters (where applicable).

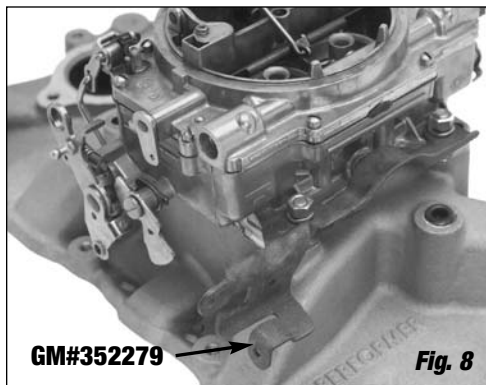
**NOTE:** Do not use any cement, glue, or RTV sealant on gasket.

2. Carefully place new carburetor on gasket.
3. Replace all mounting nuts and washers. EnduraShine™ finish carburetors should use the supplied 5/16" flat washers under any other washers used. Hand tighten with a short box end wrench, alternating between diagonally opposed nuts.

**CAUTION:** Overtightening may break carb base and void warranty.

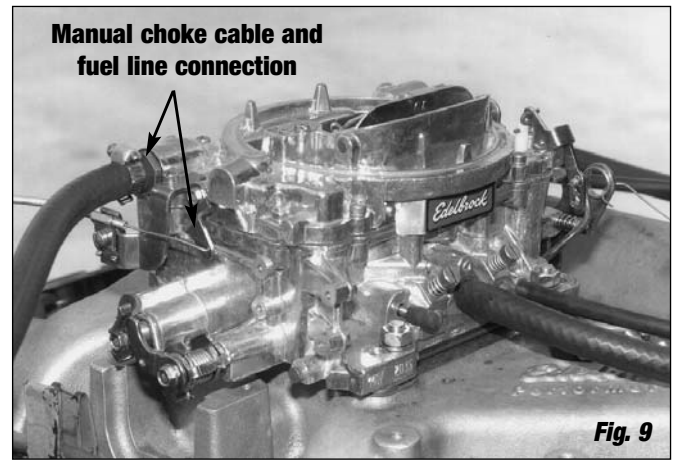
4. Connect all throttle and transmission linkages and throttle return springs. You may have to cut, bend or modify your stock throttle cable brackets to fit the new carburetor, or use GM #352279 (**See Fig. 8**). 1972-78 small-block Chevy V8s may use Edelbrock Throttle, Transmission, and Cruise Control bracket #8030, #8031, #8032, or #8036 (chrome).

**IMPORTANT NOTE:** With engine off, make sure that there is no interference when opening and closing the throttle. Be sure there is no binding or hanging up between idle and wide open throttle as this could cause the throttle to stick open, resulting in loss of engine speed control.



5. Connect manual choke cable to the provided lever attachment point and cable mounting bracket (manual choke models) (**See Fig. 9**). Electric choke models connect red choke wire to 12 volt (+) source that is activated by ignition switch (**Not coil or alternator, see Fig. 7**).

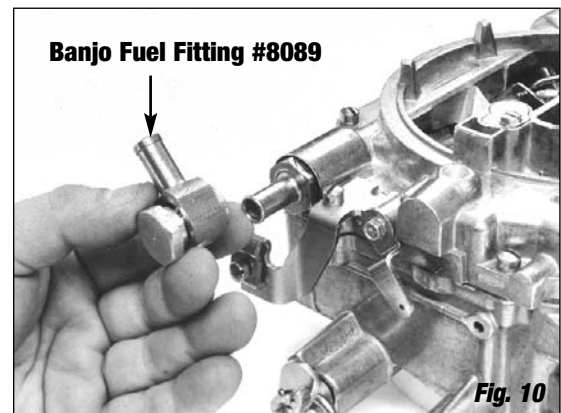
**NOTE:** If manual choke is not connected (secondary carb of dual carb set-up, for example), then choke blade must be fixed open. To lock open, use a stiff piece of wire between the choke lever and the mounting bracket. Fold the wire to double its thickness about one inch from one end. Insert the wire in the choke lever, hold choke blade in the wide open position, and tighten cable clamp on folded end of wire.



6. Connect all vacuum hoses to their proper location on carburetor (**See Fig. 1**). Replace hoses that appear brittle or cracked to prevent vacuum leaks.
7. Connect fuel line to carburetor. Avoid contact with any sharp edges or areas of extreme heat.

**NOTE:** Some late model Ford 460 engines are equipped with hot fuel bypass units. It is necessary to replace the stock unit with Ford #E3TZ9N176B (with blue dot) which has a 0.040" orifice.

8. Edelbrock idle compensator #8059 may be installed to raise idle speed during air conditioning compressor operation.
9. Install new air horn gasket and air cleaner stud (supplied). Install air cleaner making sure it does not contact linkage or fuel line and has proper hood clearance. We recommend Edelbrock Pro-Flo chrome air cleaner #1221, which is a 14" diameter open element air cleaner that is designed to fit all Edelbrock Thunder Series carburetors. Extremely low profile air cleaners will not fit electric choke carburetor without air cleaner spacer #8092 (due to choke and fuel line interference) but will fit manual choke carburetor when used with 90° banjo fuel inlet fitting #8089 (**See Fig. 10**).



10. Mark air cleaner stud for proper length, remove from carburetor and cut with hack saw. Deburr stud and re-install in carburetor (**See Fig. 11**).



**Fig. 11**

11. Re-check all linkage for smooth operation.
12. Re-connect the negative battery cable to the battery.
13. Start the engine and check for fuel or vacuum leaks. With engine at normal operating temperature and choke fully open, set idle speed and mixture screws (see carburetor Owner's Manual).

**CAUTION:** Be alert to carburetor flooding. Flooding can be caused by dirt, small particles of hose cuttings, floats and inlet needles which have settled during shipping. When the fuel pump is turned on or when the engine is first started, watch closely for signs of flooding. If flooding occurs, turn engine off immediately and lightly tap on the side of the carburetor that is flooding, in the rear needle and seat area with a rawhide mallet or wooden handle of a hammer. Start engine and see if flooding continues, if so refer to owner's manual.

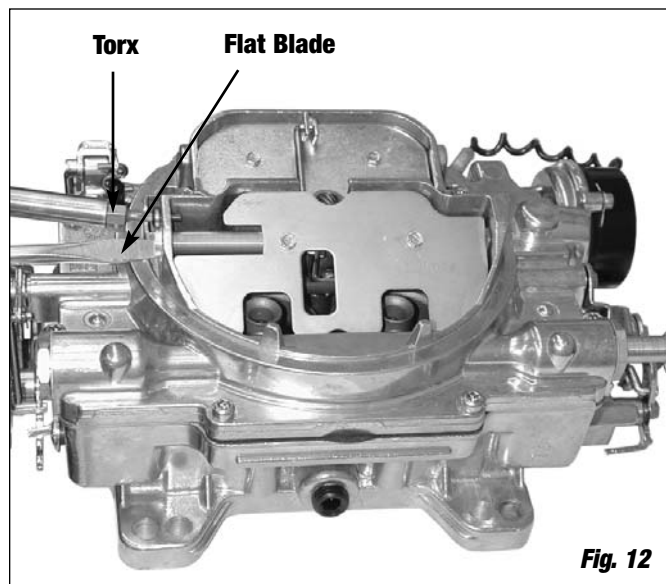
**WARNING: NEVER POUR FUEL DIRECTLY DOWN THE CARBURETOR WHEN ATTEMPTING TO START THE ENGINE! THIS MAY CAUSE A BACKFIRE AND POSSIBLE ENGINE COMPARTMENT FIRE, RESULTING IN ENGINE OR VEHICLE DAMAGE, PERSONAL INJURY AND/OR DEATH.**

#### **ADJUSTING THE AIR VALVE SECONDARY**

1. With Torx drive (T15) and flat blade screw driver in place, loosen Torx screw, make sure flat blade is secure to prevent loss of spring pressure (**See Fig 12**).
2. If you lose spring pressure, turn flat blade screw counter-clockwise until the air valve reaches closed position plus 1-1/2 turns to achieve the factory setting.

**NOTE:** Turn only 1 full turn beyond closed position for 1803/1804 factory setting. For single carb applications, set 1803/1804 carburetors to 1-1/2 turns past closed position.

3. The factory setting is the most common setting. If additional tuning is required, turn the air valve screw counter-clockwise to make the air valve open later, it is not recommend to go beyond one turn more than the factory setting, or more than 2-1/2 turns past the closed position.



**Fig. 12**

**Edelbrock Corporation • 2700 California St. • Torrance, CA 90503**  
**Tech-Line: 800-416-8628 • E-Mail: Edelbrock@Edelbrock.com**