



aerospace
climate control
electromechanical
filtration
fluid & gas handling
hydraulics
pneumatics
process control
sealing & shielding



EHP Series Piston Accumulators

0.1 to 1000 Litres, up to 350 bar (as standard)



ENGINEERING YOUR SUCCESS.

Description

The EHP piston accumulators are manufactured in Carbon & Stainless Steel and are available with a wide range of bore sizes to PED 2014/68/EU. Suitable for Industrial, Marine, Oil, Gas & Energy applications (250 & 350 bar/ up to 540mm bore as standard).

A more bespoke range of EHP piston accumulators is available offering higher pressures 250 bar to 3,000 bar and any volume capacity up to 1350 litres.

Parker Olaer have developed very sophisticated simulation software to optimize sizing recommendations for hydraulic accumulators. You can download the accumulator sizing software from www.Parker.com/acde.

Features/Benefits

- **Standard temperatures range from -15°C to 100°C, piston accumulators can also be manufactured to operate in temperatures of -40°C to 150°C. Temperatures outside this range can be met to suit specific applications.**
- **A wide range of international approvals and materials are available to ensure your piston accumulator is suitable for even the harshest environments and powerful applications. Our purpose built production area incorporates; Ultrasonic cleaning of components; tube washing bath with capability of up to 4 metres long x 750mm diameter.**
- **Parker piston accumulators can be designed and built to your specified criteria and can therefore meet any space limitations you may have. For unique applications and hostile environments, different designs, materials and coatings can be supplied. An extensive selection of connection ports can be incorporated to suit your requirements.**
- **A dedicated technical team uses the latest 3D SolidWorks and Autodesk Inventor software driven by calculation programs (linked to EN14359, ASME VIII, Selo, NR13, CUTR, DNV GL, ABS and PD5500) to reduce design times and provide technical customer support.**

Markets

- **Industrial**
- **Mobile**
- **Renewable Energy**
- **Power Generation**
- **Oil & Gas**
- **Marine**

Applications

- **Industrial Machine Tools**
- **Mining**
- **Die casting & Press**
- **Renewable Energy**
- **Wind power**

In-house Facilities

Design, Development and Production Services

Design Facilities

A dedicated technical team uses the latest 3D SolidWorks and Autodesk Inventor software driven by calculation programs (linked to EN14359, PD5500 and ASME VIII) to reduce design times and provide technical customer support.

Assembly

Our purpose built production area incorporates;

- Ultrasonic cleaning of components; tube washing bath with capability of up to 4 metres long x 750mm diameter.
- 40 metre x 5 tonne crane facility throughout the stocking, assembly and testing areas and 15 tonne crane in the Fabrication area.

Hydraulic Testing

The piston testing facility provides:

- Data logging of test results for permanent record
- Remote inspection for leaks by CCTV
- Steel self contained high safety cell
- Lift-off roof for large cylinders
- 2 off air-driven test rigs (water/ glycol & mineral oil) high volume, low pressure pre-test filling capable of testing up to 3000 bar

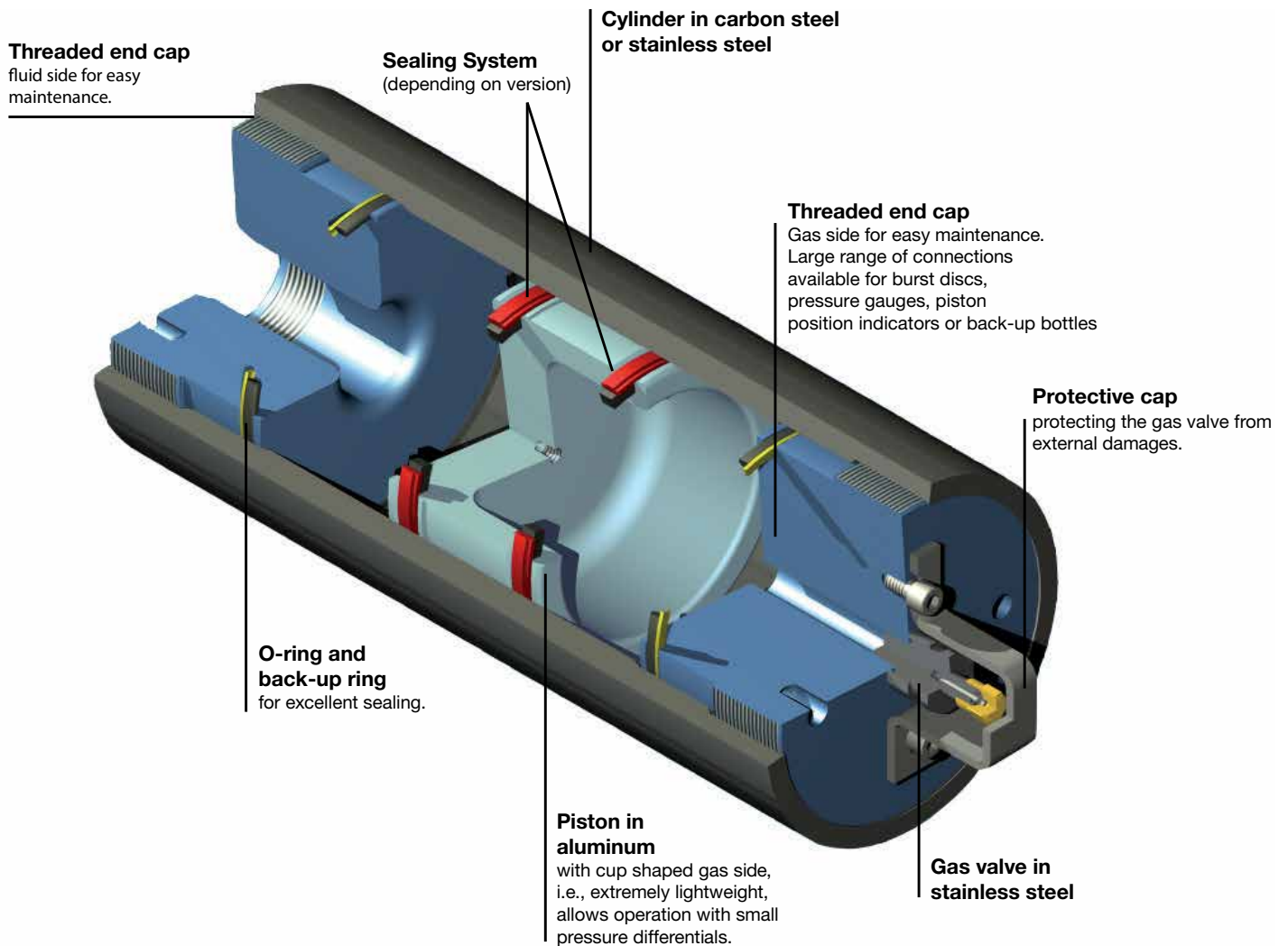


General Information EHP Piston Accumulators

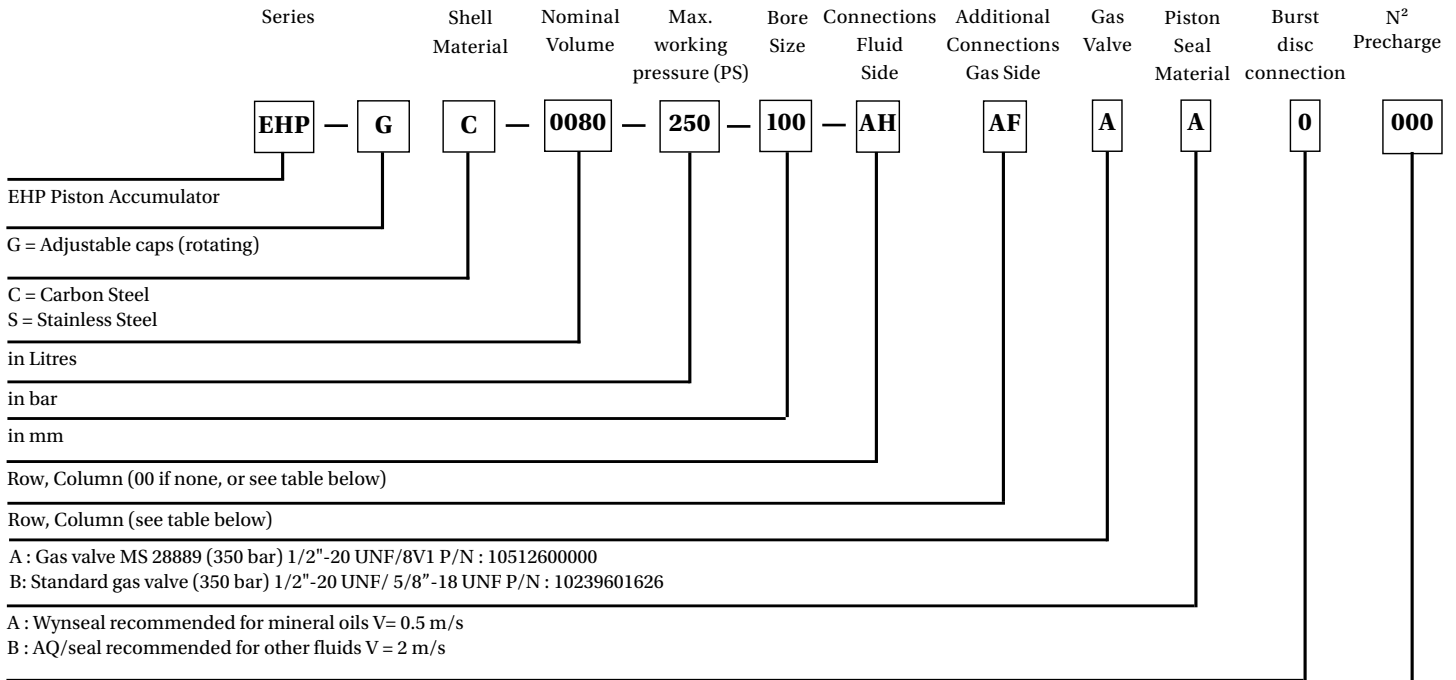
Technical Characteristics

The accumulator comprises of a pressure vessel, a piston and its seals.

- Shell material options include standard carbon steel and stainless steel.
- End caps - steel, pistons lightweight aluminium alloy. Piston and end cap seals in NBR (standard version), other compounds to suit application.
-
- For unique applications and hostile environments, different designs, materials and coatings can be supplied. Please contact our division
- A wide variety of options is available following of the series, for example
 - Threaded and manifold port styles and sizes
 - Seal compounds
 - High flow gas ports
 - Gas valves, safety fuses....



EHP Series: How to order a Piston Accumulator



| Code | Burst Disc | Size |
|------|--|----------|
| 0 | Without burst disc, no connection | |
| A | 275 Bar/80°C | G 1/4" |
| B | 385 Bar/80°C | G 1/4" |
| C | 230 Bar/80°C | G 1/4" |
| D | 250 Bar/80°C | G 1/4" |
| E | 300 Bar/80°C | G 1/4" |
| F | 420 Bar/80°C | G 1/4" |
| K | 230 Bar/80°C | |
| L | 275 Bar/80°C | |
| M | 385 Bar/80°C | |
| N | without burst disc. Plugged connection | NPT 1/4" |
| P | without burst disc. Plugged connection | G 1/4" |
| R | 300 Bar/80°C | |
| X | Special | |

N² preload in bar (example 010 = 10 bar, 000 N² if no preload)

Fluid side connection/Gas side additional connection

| Specification | A | B | C | D | E | F | G | H | I | K | L | M | N |
|------------------------|-----------------|---------------|-------------|-----------------|-----------------|----------------|-------------------|---------------|---------------|------------|--------|------------|--------|
| Thread to ISO228-1 (G) | A G1/8"-28 | G1/4"-19 | G3/8"-19 | G1/2"-14 | G5/8"-14 | G3/4"-14 | G7/8"-14 | G1"-11 | G 1 1/4"-11 | G1 1/2"-11 | G2"-11 | G2 1/2"-11 | G3"-11 |
| SAE Flange (ISO 6162) | B 1/2" 210 Bar | 3/4" 210 Bar | 1" 210 Bar | 1 1/4" 210 Bar | 1 1/2" 210 Bar | 2" 210 Bar | 2 1/2" ca 175 Bar | 3" ca 140 Bar | | | | | |
| SAE Flange | C 1/2" 3000 psi | 3/4" 3000 psi | 1" 3000 psi | 1 1/4" 3000 psi | 1 1/2" 3000 psi | 2" 3000 psi | 2 1/2" 3000 psi | 3" 3000 psi | | | | | |
| SAE Port (UN) | D #5 1/2"-20 | #6 9/16"-18 | #8 3/4"-16 | #10 7/8"-14 | #12 1 1/16"-12 | #16 1 5/16"-12 | #20 1 5/8"-12 | #24 1 7/8"-12 | #32 2 1/2"-12 | | | | |
| Metric (ISO 6149-1) | E M10 x 1 | M12 x 1,5 | M14 x 1,5 | M18 x 1,5 | M22 x 1,5 | M27 x 2 | M33 x 2 | M42 x 2 | M48 x 2 | | | | |

EHP Series 207 bar, 60 to 400 Litres, Ø 360

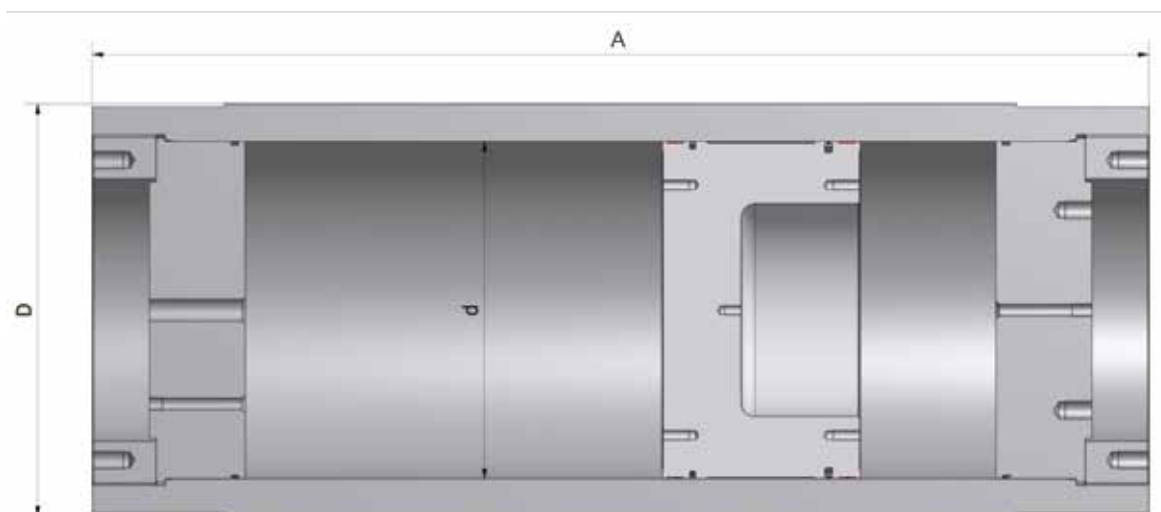
Standard version (Stainless Steel shell/NBR mix) compatible with mineral oils (2).
 According to PED 2014/68/EU, EN 14359, Fluid Group 2 (3).

Product, Part numbers, Accessories

| Type | Part Number | Seal Kit | Effective Gas vol. Litres | Max. Working pressure (PS) bar | Admissible Accumulator Temperature min/max (°C) | Weight kg | A mm | ø D mm | ø d mm | Std Fluid opening |
|-----------------------|-----------------|---------------|---------------------------|--------------------------------|---|-----------|------|--------|--------|-------------------|
| EHP(G) S 0600-207-360 | 815EHPGS0602036 | 8220000000016 | 60 | 207 | -15/100 | 446 | 1106 | 408 | 360 | G2" |
| EHP(G) S 0700-207-360 | 815EHPGS0702036 | 8220000000016 | 70 | 207 | -15/100 | 467 | 1204 | 408 | 360 | G2" |
| EHP(G) S 0800-207-360 | 815EHPGS0802036 | 8220000000016 | 80 | 207 | -15/100 | 488 | 1303 | 408 | 360 | G2" |
| EHP(G) S 0900-207-360 | 815EHPGS0902036 | 8220000000016 | 90 | 207 | -15/100 | 509 | 1401 | 408 | 360 | G2" |
| EHP(G) S 1000-207-360 | 815EHPGS1002036 | 8220000000016 | 100 | 207 | -15/100 | 530 | 1500 | 408 | 360 | G2" |
| EHP(G) S 1500-207-360 | 815EHPGS1502036 | 8220000000016 | 150 | 207 | -15/100 | 635 | 1990 | 408 | 360 | G2" |
| EHP(G) S 2000-207-360 | 815EHPGS2002036 | 8220000000016 | 200 | 207 | -15/100 | 740 | 2481 | 408 | 360 | G2" |
| EHP(G) S 2500-207-360 | 815EHPGS2502036 | 8220000000016 | 250 | 207 | -15/100 | 845 | 2973 | 408 | 360 | G2" |
| EHP(G) S 3000-207-360 | 815EHPGS3002036 | 8220000000016 | 300 | 207 | -15/100 | 950 | 3464 | 408 | 360 | G2" |
| EHP(G) S 3500-207-360 | | 8220000000016 | 350 | 207 | -15/100 | 1055 | 3955 | 408 | 360 | G2" |
| EHP(G) S 4000-207-360 | | 8220000000016 | 400 | 207 | -15/100 | 1160 | 4426 | 408 | 360 | G2" |

(2) For other fluids consult Parker

(3) For Fluid group 1 consideration : consult Parker



EHP Series 220 bar, 150 to 650 Litres, Ø 540

Standard version (Carbon Steel shell/seals for mineral oils)(2) temperature from - 15° up to 100°C. Maximum Piston Speed 2 m/s. According to PED 2014/68/EU, Fluid Group 1 or 2 (3).

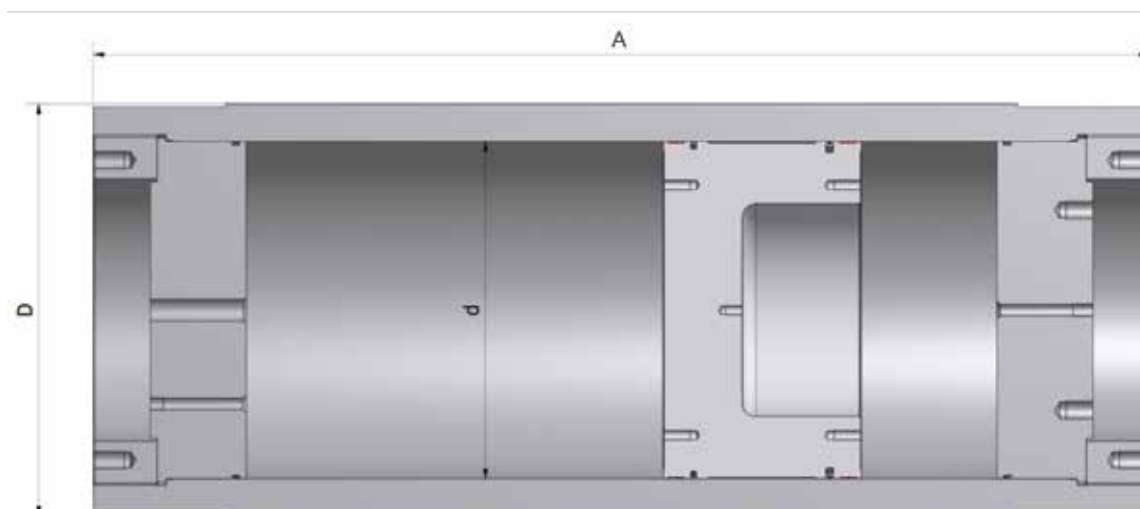
Product, Part numbers, Accessories

| Type | Part Number | Seal Kit | Effective Gas vol. Litres | Max. Working pressure (PS) bar | Admissible Accumulator Temperature min/max (°C) | Weight kg | A mm | ø D mm | ø d mm | Std Fluid opening |
|----------------------------------|------------------|---------------|---------------------------|--------------------------------|---|-----------|------|--------|--------|-------------------|
| EHP(G) C 1500-220-540 ALAFBB0000 | 815EHPGC15002254 | 8220000000018 | 150 | 220 | -15/100 | 2147 | 1415 | 630 | 540 | G3" |
| EHP(G) C 2000-220-540 ALAFBB0000 | 815EHPGC20002254 | 8220000000018 | 200 | 220 | -15/100 | 2280 | 1633 | 630 | 540 | G3" |
| EHP(G) C 2500-220-540 ALAFBB0000 | 815EHPGC25002254 | 8220000000018 | 250 | 220 | -15/100 | 2413 | 1851 | 630 | 540 | G3" |
| EHP(G) C 3000-220-540 ALAFBB0000 | 815EHPGC30002254 | 8220000000018 | 300 | 220 | -15/100 | 2546 | 2068 | 630 | 540 | G3" |
| EHP(G) C 3200-220-540 ALAFBB0000 | 815EHPGC32002254 | 8220000000018 | 320 | 220 | -15/100 | 2625 | 2156 | 630 | 540 | G3" |
| EHP(G) C 3400-220-540 ALAFBB0000 | 815EHPGC34002254 | 8220000000018 | 340 | 220 | -15/100 | 2702 | 2243 | 630 | 540 | G3" |
| EHP(G) C 3500-220-540 ALAFBB0000 | 815EHPGC35002254 | 8220000000018 | 350 | 220 | -15/100 | 2741 | 2375 | 630 | 540 | G3" |
| EHP(G) C 3600-220-540 ALAFBB0000 | 815EHPGC36002254 | 8220000000018 | 360 | 220 | -15/100 | 2780 | 2331 | 630 | 540 | G3" |
| EHP(G) C 3800-220-540 ALAFBB0000 | 815EHPGC38002254 | 8220000000018 | 380 | 220 | -15/100 | 2857 | 2418 | 630 | 540 | G3" |
| EHP(G) C 4000-220-540 ALAFBB0000 | 815EHPGC40002254 | 8220000000018 | 400 | 220 | -15/100 | 3004 | 2505 | 630 | 540 | G3" |
| EHP(G) C 4500-220-540 ALAFBB0000 | 815EHPGC45002254 | 8220000000018 | 450 | 220 | -15/100 | 3128 | 2723 | 630 | 540 | G3" |
| EHP(G) C 5000-220-540 ALAFBB0000 | 815EHPGC50002254 | 8220000000018 | 500 | 220 | -15/100 | 3322 | 2942 | 630 | 540 | G3" |
| EHP(G) C 5500-220-540 ALAFBB0000 | 815EHPGC55002254 | 8220000000018 | 550 | 220 | -15/100 | 3516 | 3160 | 630 | 540 | G3" |
| EHP(G) C 6000-220-540 ALAFBB0000 | 815EHPGC60002254 | 8220000000018 | 600 | 220 | -15/100 | 3711 | 3379 | 630 | 540 | G3" |
| EHP(G) C 6500-220-540 ALAFBB0000 | 815EHPGC65002254 | 8220000000018 | 650 | 220 | -15/100 | 3904 | 3597 | 630 | 540 | G3" |

Available in ASME VIII Division I U STAMPED, in that case EHP (G)C ---> IHP (G)C

(2) For other fluids consult Parker

(3) For Fluid group 1 consideration : consult Parker



EHP Series 250 bar, 1 to 4 Litres, Ø 80

Standard version (Carbon steel/Wynseal) for mineral oils (2).

According to PED 2014/68/EU, Fluid Group 2, EN14359, Fluid Group 2 (3)

Product, Part numbers, Accessories

| Type Part number | Pre-charge | | | Wynseal Seal Kit | Without burst disc. Plugged connection |
|---|------------------|------------------|------------------|----------------------------------|---|
| | 1 - 109 bar | 110 - 209 bar | 210 - 300 bar | Part number | Model Part number |
| EHP-C-0010-250-080-AF00AA0000 * 9000-0701-AF00AA0000 | Consult Division | Consult Division | Consult Division | Consult Division 9782-080-000 | - |
| EHP-C-0010-250-080-AF00AAP000 * 9000-0701-AF00AAP000 | Consult Division | Consult Division | Consult Division | Consult Division 9782-080-000 | Consult Division |
| EHP-C-0020-250-080-AB00AA0000 9098-1001-AB00AA0000 | Consult Division | Consult Division | Consult Division | Consult Division 9782-080-000 | - |
| EHP-C-0020-250-080-AF00AA0000 9098-1001-AF00AA0000 | Consult Division | Consult Division | Consult Division | Consult Division 9782-080-000 | - |
| EHP-C-0020-250-080-AF00AAP000 9098-1001-AF00AAP000 | Consult Division | Consult Division | Consult Division | Consult Division 9782-080-000 | Consult Division |
| EHP-C-0030-250-080-AF00AA0000 9098-1301-AF00AA0000 | Consult Division | Consult Division | Consult Division | Consult Division 9782-080-000 | - |
| EHP-C-0040-250-080-AF00AA0000 9098-1601-AF00AA0000 | Consult Division | Consult Division | Consult Division | Consult Division 9782-080-000 | - |

Available in ASME VIII Division I U STAMPED, in that case EHP (C) ---> IHP (C)

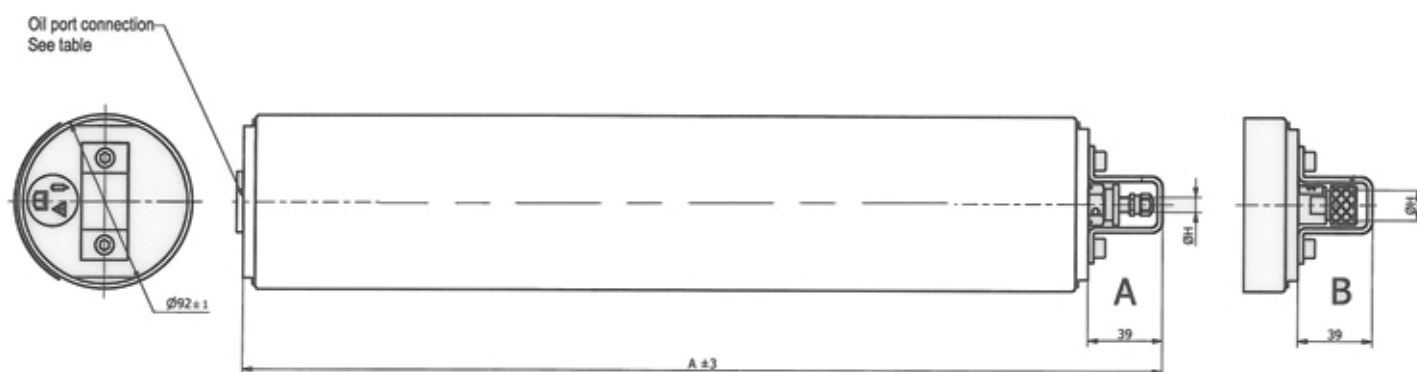
* According PED 2014/68/EU Article 4.3

(2) For other fluids consult Parker

(3) For Fluid group 1 consideration : consult Parker

| Type Part number | Effective Gas vol. Litres | Max. Working pressure (PS) bar | ∅ Bore | Max Flow Rate lt/ min | Admissible Accumulator Temperature min/max (°C) | Weight kg | A max Height mm | External ∅D mm | Oil port connection | V m/s |
|---|---------------------------------|--|-----------|-----------------------------|---|--------------|--------------------------|----------------------|------------------------|----------|
| EHP-C-0010-250-080-AF00AA0000 * 9000-0701-AF00AA0000 | 1 | 250 | 80 | 151 | -20/+80 | 9.7 | 387 | 92 | G 3/4" | 0.5 |
| EHP-C-0010-250-080-AF00AAP000 * 9000-0701-AF00AAP000 | 1 | 250 | 80 | 151 | -20/+80 | 9.7 | 387 | 92 | G 3/4" | 0.5 |
| EHP-C-0020-250-080-AB00AA0000 9098-1001-AB00AA0000 | 2 | 250 | 80 | 151 | -20/+80 | 12.2 | 586 | 92 | G 1/4" | 0.5 |
| EHP-C-0020-250-080-AF00AA0000 9098-1001-AF00AA0000 | 2 | 250 | 80 | 151 | -20/+80 | 12.2 | 586 | 92 | G 3/4" | 0.5 |
| EHP-C-0020-250-080-AF00AAP000 9098-1001-AF00AAP000 | 2 | 250 | 80 | 151 | -20/+80 | 12.2 | 586 | 92 | G 3/4" | 0.5 |
| EHP-C-0030-250-080-AF00AA0000 9098-1301-AF00AA0000 | 3 | 250 | 80 | 151 | -20/+80 | 14.7 | 785 | 92 | G 3/4" | 0.5 |
| EHP-C-0040-250-080-AF00AA0000 9098-1601-AF00AA0000 | 4 | 250 | 80 | 151 | -20/+80 | 17.2 | 984 | 92 | G 3/4" | 0.5 |

Above dimensions are in mm and are subject to manufacturing tolerances.



GAS CONNECTIONS

Model Valve A 8V1
Model Valve B 5/8"18 UNF

Above dimensions are in mm and are subject to manufacturing tolerances.

EHP Series 250 bar, 2 to 10 Litres, Ø 100

Standard version (Carbon steel/Wynseal) for mineral oils (2).
According to PED 2014/68/EU , EN 14359, Fluid Group 2 (3)

Product, Part numbers, Accessories

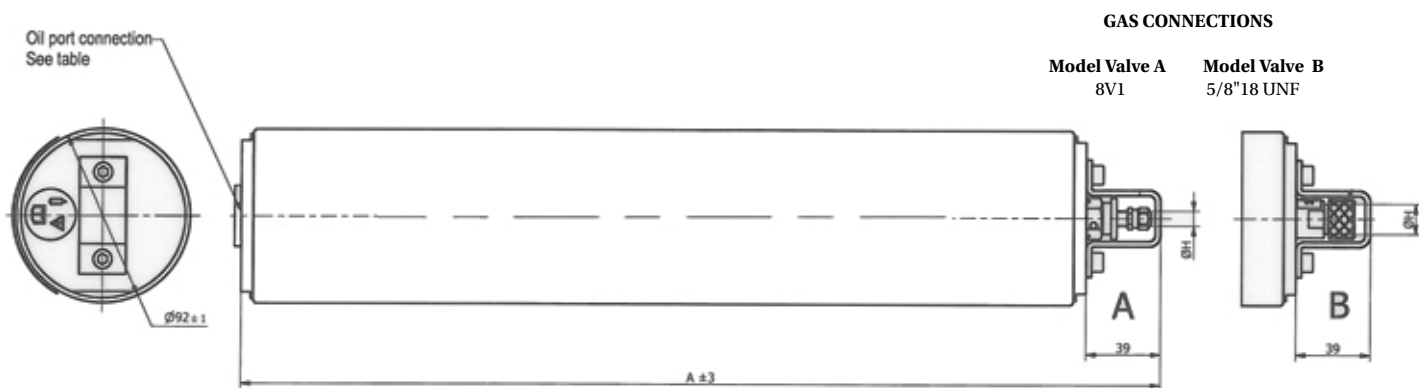
| Type Part number | Pre-charge | | | Wynseal Seal Kit | Without burst disc. Plugged connection |
|--|------------------|------------------|------------------|---------------------|---|
| | 1 - 109 bar | 110 - 209 bar | 210 - 300 bar | Part number | Model Price Part number |
| EHP-C-0020-250-100-AD00AA0000 9098-1002-AD00AA0000 | Consult Division | Consult Division | Consult Division | 3782-100-000 | |
| EHP-C-0020-250-100-AF00AA0000 9098-1002-AF00AA0000 | Consult Division | Consult Division | Consult Division | 3782-100-000 | - |
| EHP-C-0040-250-100-AD00AA0000 9098-1602-AD00AA0000 | Consult Division | Consult Division | Consult Division | 3782-100-000 | |
| EHP-C-0040-250-100-AF00AA0000 9098-1602-AF00-AA0000 | Consult Division | Consult Division | Consult Division | 3782-100-000 | |
| EHP-C-0040-250-100-DF00AA0000 9098-1602-AD00AA0000 | Consult Division | Consult Division | Consult Division | 3782-100-000 | |
| EHP-C-0060-250-100-AF00AA0000 9098-1902-AF00AA0000 | Consult Division | Consult Division | Consult Division | 3782-100-000 | - |
| EHP-C-0060-250-100-AH00AA0000 9098-1902-AH00AA0000 | Consult Division | Consult Division | Consult Division | 3782-100-000 | - |
| EHP-C-0080-250-100-AF00AA0000 9098-2002-AF00AA0000 | Consult Division | Consult Division | Consult Division | 3782-100-000 | - |
| EHP-C-0080-250-100-AH00AAP000 9098-2002-AH00-AAP000 | Consult Division | Consult Division | Consult Division | 3782-100-000 | Consult Division |
| EHP-C-0100-250-100-AH00AA0000 9098-2102-AH00AA0000 | Consult Division | Consult Division | Consult Division | 3782-100-000 | - |
| EHP-C-0100-250-100-AH00AAP000 9098-2102-AH00AAP000 | Consult Division | Consult Division | Consult Division | 3782-100-000 | Consult Division |

Available in ASME VIII Division I U STAMPED, in that case EHP (C) ---> IHP (C)

(2) For other fluids consult Parker

(3) For Fluid group 1 consideration : consult Parker

| Type Part number | Effective Gas vol. Litres | Max. Working pressure (PS) bar | ø Bore | Max Flow Rate lt/min | Admissible Accumulator Temperature min/max (°C) | Weight kg | A max Height mm | External øD mm | Oil port con- nection | V m/s |
|--|---------------------------------|--|-----------|-------------------------------|---|--------------|--------------------------|----------------------|--------------------------|----------|
| EHP-C-0020-250-100-AD00AA0000 9098-1002-AD00AA0000 | 2 | 250 | 100 | 236 | -20/+80 | 16 | 441 | 115 | G 1/2" | 1 |
| EHP-C-0020-250-100-AF00AA0000 9098-1002-AF00AA0000 | 2 | 250 | 100 | 236 | -20/+80 | 16 | 441 | 115 | G 3/4" | 1 |
| EHP-C-0040-250-100-AD00AA0000 9098-1602-AD00AA0000 | 4 | 250 | 100 | 236 | -20/+80 | 22 | 696 | 115 | G 1/2" | 1 |
| EHP-C-0040-250-100-AF00AA0000 9098-1602-AF00-AA0000 | 4 | 250 | 100 | 236 | -20/+80 | 22 | 696 | 115 | G 3/4" | 1 |
| EHP-C-0040-250-100-DF00AA0000 9098-1602-AD00AA0000 | 4 | 250 | 100 | 236 | -20/+80 | 22 | 696 | 115 | #16 1 5/16" | 1 |
| EHP-C-0060-250-100-AF00AA0000 9098-1902-AF00AA0000 | 6 | 250 | 100 | 236 | -20/+80 | 27 | 951 | 115 | G 3/4" | 1 |
| EHP-C-0060-250-100-AH00AA0000 9098-1902-AH00AA0000 | 6 | 250 | 100 | 236 | -20/+80 | 27 | 951 | 115 | G 1" | 1 |
| EHP-C-0080-250-100-AF00AA0000 9098-2002-AF00AA0000 | 8 | 250 | 100 | 236 | -20/+80 | 32 | 1205 | 115 | G 3/4" | 1 |
| EHP-C-0080-250-100-AH00AAP000 9098-2002-AH00-AAP000 | 8 | 250 | 100 | 236 | -20/+80 | 32 | 1205 | 115 | G 1" | 1 |
| EHP-C-0100-250-100-AH00AA0000 9098-2102-AH00AA0000 | 10 | 250 | 100 | 236 | -20/+80 | 37 | 1460 | 115 | G 1" | 1 |
| EHP-C-0100-250-100-AH00AAP000 9098-2102-AH00AAP000 | 10 | 250 | 100 | 236 | -20/+80 | 37 | 1460 | 115 | G 1" | 1 |



EHP Series 250 bar, 4 to 20 Litres, Ø 140

Standard version (Carbon steel/Wynseal for mineral oil, AQseal for other fluids) for mineral oils. (2)
According to PED 2014/68/EU, EN14359 Fluid Group 2 (3)

Product, Part numbers, Accessories

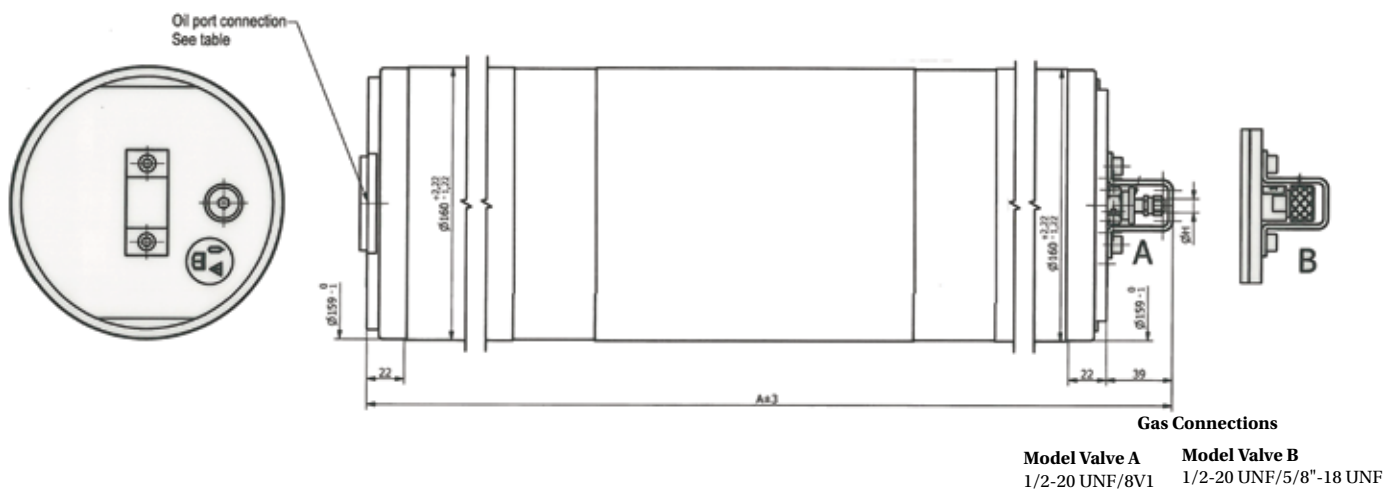
| Type Part number | Pre-charge | | | Wynseal or AQ Seal Seal Kit | Without burst disc. Plugged connection | |
|---|------------------|------------------|------------------|--------------------------------|---|--|
| | 1 - 109 bar | 110 - 209 bar | 210 - 300 bar | Part number | Model Price Part number | |
| EHP-C-0040-250-140-AKAFABP000 9098-1604-AKAFABP000 | Consult Division | Consult Division | Consult Division | AQ seal 001185-00000. | Consult Division | |
| EHP-C-0060-250-140-AKAFABP000 9098-1904-AKAFABP000 | Consult Division | Consult Division | Consult Division | AQ seal 001185-00000. | Consult Division | |
| EHP-C-0060-250-140-AKAFAP000 9098-1904-AKAFAP000 | Consult Division | Consult Division | Consult Division | AQ seal 001185-00000. | Consult Division | |
| EHP-C-0080-250-140-AKAFABP000 9098-2004-AKAFABP000 | Consult Division | Consult Division | Consult Division | AQ seal 001185-00000. | Consult Division | |
| EHP-C-0080-250-140-AKAFAP000 9098-2004-AKAFAP000 | Consult Division | Consult Division | Consult Division | AQ seal 001185-00000. | Consult Division | |
| EHP-C-0100-250-140-AKAFAP000 9098-2104-AKAFAP000 | Consult Division | Consult Division | Consult Division | AQ seal 001185-00000. | Consult Division | |
| EHP-C-0150-250-140-AKAFAP000 9098-2304-AKAFAP000 | Consult Division | Consult Division | Consult Division | AQ seal 001185-00000. | Consult Division | |
| EHP-C-0150-250-140-AF00AA0000 9098-2304-AF00AA0000 | Consult Division | Consult Division | Consult Division | AQ seal 001185-00000. | Consult Division | |
| EHP-C-0200-250-140-AKAFAP000 9098-2604-AKAFAP000 | Consult Division | Consult Division | Consult Division | AQ seal 001185-00000. | Consult Division | |

Available in ASME VIII Division I U STAMPED, in that case EHP (C) ---> IHP (C)

(2) For other fluids consult Parker

(3) For Fluid group 1 consideration : consult Parker

| Type Part number | Effective Gas vol. Litres | Max. Working pressure (PS) bar | ∅ Bore | Max Flow Rate lt/ min | Admissible Accumulator Temperature min/max (°C) | Weight kg | A max Height mm | External ∅D | Oil port connection | V m/s |
|---|---------------------------------|--|-----------|-----------------------------|---|--------------|--------------------------|----------------|------------------------|----------|
| EHP-C-0040-250-140-AKAFABP000 9098-1604-AKAFABP000 | 4 | 250 | 140 | 1846 | -20/+150 | 34.1 | 470 | 160 | G 1 1/2" | 2 |
| EHP-C-0060-250-140-AKAFABP000 9098-1904-AKAFABP000 | 6 | 250 | 140 | 1846 | -20/+150 | 38.9 | 600 | 160 | G 1 1/2" | 2 |
| EHP-C-0060-250-140-AKAFAAP000 9098-1904-AKAFAAP000 | 6 | 250 | 140 | 462 | -20/+80 | 43.7 | 600 | 160 | G 1 1/2" | 0.5 |
| EHP-C-0080-250-140-AKAFABP000 9098-2004-AKAFABP000 | 8 | 250 | 140 | 1846 | -20/+150 | 38.9 | 730 | 160 | G 1 1/2" | 2 |
| EHP-C-0080-250-140-AKAFAAP000 9098-2004-AKAF AAP000 | 8 | 250 | 140 | 462 | -20/+80 | 43.7 | 730 | 160 | G 1 1/2" | 0.5 |
| EHP-C-0100-250-140-AKAFAAP000 9098-2104-AKAF AAP000 | 10 | 250 | 140 | 462 | -20/+80 | 48.5 | 860 | 160 | G 1 1/2" | 0.5 |
| EHP-C-0150-250-140-AKAF AAP000 9098-2304-AKAF AAP000 | 15 | 250 | 140 | 462 | -20/+80 | 60.0 | 1185 | 160 | G 1 1/2" | 0.5 |
| EHP-C-0150-250-140-AF00AA0000 9098-2304-AF00AA0000 | 15 | 250 | 140 | 462 | -20/+80 | 71.5 | 1185 | 160 | G 3/4" | 0.5 |
| EHP-C-0200-250-140-AKAF AAP000 9098-2604-AKAF AAP000 | 20 | 250 | 140 | 462 | -20/+80 | 60.0 | 1509 | 160 | G 1 1/2" | 0.5 |



EHP Series 250 bar, 8 to 50 Litres, Ø 180

Standard version (Carbon steel/seals for mineral oil). Maximum piston speed 2 m/s.
 Suitable for mineral based hydraulic fluids, Vegetable oils, water glycols. (2)
 According to PED 2014/68/EU , Fluid Group 1 or 2 (3) AD2000

Product, Part numbers, Accessories

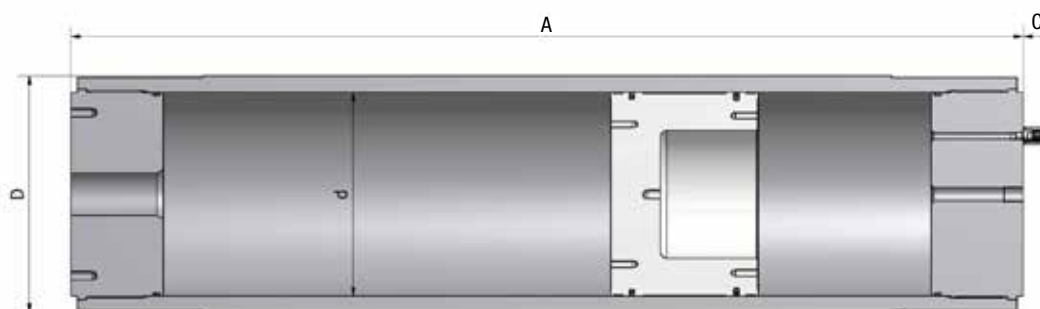
| Type | Part number | Effective Gas vol. Litres | Max. Working pressure (PS) bar | Admissible Accumulator Temperature min/max (°C) | Weight kg | A max Height mm | External øD mm | ød mm | Max Fluid opening | Seal Kit |
|------------------------------|------------------|---------------------------|--------------------------------|---|-----------|-----------------|----------------|-------|-------------------|---------------|
| EHP C 0080/250/180 AHAFBB000 | 815EHP0C00802518 | 8 | 250 | - 15/100 | 110 | 622 | 219.1 | 180 | G1" | 8220000000011 |
| EHP C 0090/250/180 AHAFBB000 | 815EHP0C00902518 | 9 | 250 | - 15/100 | 115 | 660 | 219.1 | 180 | G1" | 8220000000011 |
| EHP C 0100/250/180 AHAFBB000 | 815EHP0C01002518 | 10 | 25 | - 15/100 | 120 | 700 | 219.1 | 180 | G1" | 8220000000011 |
| EHP C 0150/250/180 AHAFBB000 | 815EHP0C01502518 | 15 | 250 | - 15/100 | 135 | 896 | 219.1 | 180 | G1" | 8220000000011 |
| EHP C 0180/250/180 AHAFBB000 | 815EHP0C01802518 | 18 | 250 | - 15/100 | 150 | 1092 | 219.1 | 180 | G1" | 8220000000011 |
| EHP C 0200/250/180 AHAFBB000 | 815EHP0C02002518 | 20 | 250 | - 15/100 | 160 | 1095 | 219.1 | 180 | G1" | 8220000000011 |
| EHP C 0250/250/180 AHAFBB000 | 815EHP0C02502518 | 25 | 250 | - 15/100 | 175 | 1288 | 219.1 | 180 | G1" | 8220000000011 |
| EHP C 0320/250/180 AHAFBB000 | 815EHP0C03202518 | 32 | 250 | - 15/100 | 205 | 1563 | 219.1 | 180 | G1" | 8220000000011 |
| EHP C 0350/250/180 AHAFBB000 | 815EHP0C03502518 | 35 | 250 | - 15/100 | 210 | 1681 | 219.1 | 180 | G1" | 8220000000011 |
| EHP C 0400/250/180 AHAFBB000 | 815EHP0C04002518 | 40 | 250 | - 15/100 | 230 | 1880 | 219.1 | 180 | G1" | 8220000000011 |
| EHP C 0500/250/180 AHAFBB000 | 815EHP0C05002518 | 50 | 250 | - 15/100 | 270 | 2275 | 219.1 | 180 | G1" | 8220000000011 |

Available in ASME VIII Division I U STAMPED, in that case

EHP (C) ---> IHP (C)

(2) For other fluids consult Parker

(3) For Fluid group 1 consideration : consult Parker



EHP Series 250 bar, 10 to 150 Litres, Ø 195

Standard version (Carbon steel/seals for mineral oil). Maximum piston speed 2 m/s.

Suitable for mineral based hydraulic fluids, Vegetable oils, water glycols (2).

According to PED 2014/68/EU , Fluid Group 1 or 2 AD2000 (3)

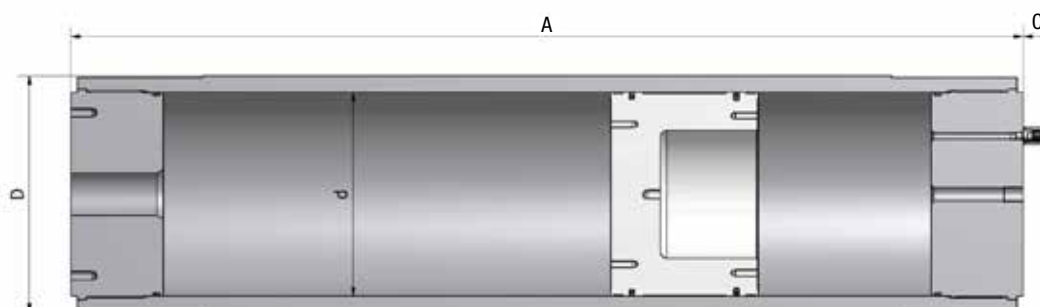
Product, Part numbers, Accessories

| Type | Part number | Effective Gas vol. Litres | Max. Working pressure (PS) bar | Admissible Accumulator Temperature min/max (°C) | Weight kg | A max Height mm | External øD mm | ød mm | Std Fluid port | C mm | Seal Kit |
|--------------------|-----------------|---------------------------|--------------------------------|---|-----------|-----------------|----------------|-------|----------------|------|---------------|
| EHP S 0100-250-195 | 815EHP0S0102519 | 10 | 250 | -15/+100 | 150 | 645 | 243 | 195 | G2" | 45 | 8220000000020 |
| EHP S 0200-250-195 | 815EHP0S0202519 | 20 | 250 | -15/+100 | 199 | 980 | 243 | 195 | G2" | 45 | 8220000000020 |
| EHP S 0300-250-195 | 815EHP0S0302519 | 30 | 250 | -15/+100 | 249 | 1315 | 243 | 195 | G2" | 45 | 8220000000020 |
| EHP S 0400-250-195 | 815EHP0S0402519 | 40 | 250 | -15/+100 | 299 | 1650 | 243 | 195 | G2" | 45 | 8220000000020 |
| EHP S 0500-250-195 | 815EHP0S0502519 | 50 | 250 | | 348 | 1985 | 243 | 195 | G2" | 45 | 8220000000020 |
| EHP S 0600-250-195 | 815EHP0S0602519 | 60 | 250 | | 398 | 2320 | 243 | 195 | G2" | 45 | 8220000000020 |
| EHP S 0700-250-195 | 815EHP0S0702519 | 70 | 250 | | 447 | 2654 | 243 | 195 | G2" | 45 | 8220000000020 |
| EHP S 0800-250-195 | 815EHP0S0802519 | 80 | 250 | | 497 | 2989 | 243 | 195 | G2" | 45 | 8220000000020 |
| EHP S 0900-250-195 | 815EHP0S0902519 | 90 | 250 | | 546 | 3324 | 243 | 195 | G2" | 45 | 8220000000020 |
| EHP S 1000-250-195 | 815EHP0S1002519 | 100 | 250 | | 596 | 3659 | 243 | 195 | G2" | 45 | 8220000000020 |
| EHP S 1500-250-195 | 815EHP0S1502519 | 150 | 250 | | 844 | 5333 | 243 | 195 | G2" | 45 | 8220000000020 |

Available in ASME VIII Division I U STAMPED, in that case EHP (S) ---> IHP (S)

(2) For other fluids consult Parker

(3) For Fluid group 1 consideration : consult Parker



EHP Series 250 bar, 10 to 150 Litres, Ø 200

Standard version (Carbon steel/seals for mineral oil). Maximum piston speed 2 m/s.
 Suitable for mineral based hydraulic fluids, Vegetable oils, water glycols. (2)
 According to PED 2014/68/EU, Fluid Group 1 or 2 (3) AD2000

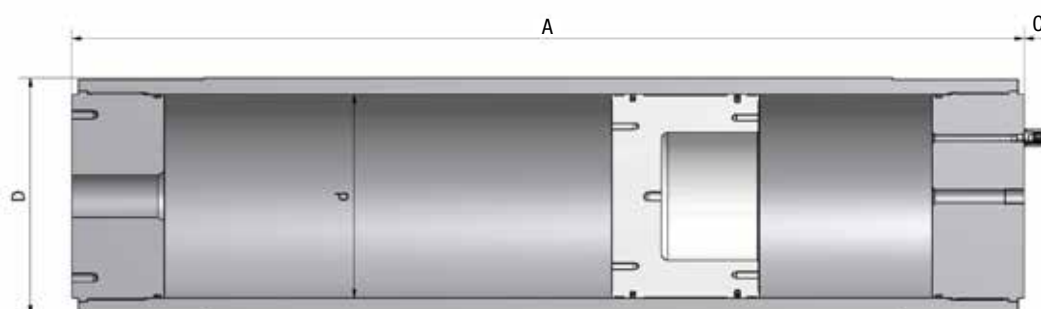
Product, Part numbers, Accessories

| Type | Part number | Effective Gas vol. Litres | Max. Working pressure (PS) bar | Admissible Accumulator Temperature min/max (°C) | Weight kg | A max Height mm | External øD | ød mm | Std Fluid opening | C mm | Seal Kit |
|--------------------|-----------------|---------------------------|--------------------------------|---|-----------|-----------------|-------------|-------|-------------------|------|---------------|
| EHP C 0100-250-200 | 815EHP0C0102520 | 10 | 250 | -15/+100 | 87 | 585 | 230 | 200 | G2" | 45 | 8220000000023 |
| EHP C 0200-250-200 | 815EHP0C0202520 | 20 | 250 | -15/+100 | 110 | 903 | 230 | 200 | G2" | 45 | 8220000000023 |
| EHP C 0300-250-200 | 815EHP0C0302520 | 30 | 250 | -15/+100 | 133 | 1221 | 230 | 200 | G2" | 45 | 8220000000023 |
| EHP C 0350-250-200 | 815EHP0C0352520 | 35 | 250 | -15/+100 | 144 | 1321 | 230 | 200 | G2" | 45 | 8220000000023 |
| EHP C 0400-250-200 | 815EHP0C0402520 | 40 | 250 | -15/+100 | 156 | 1540 | 230 | 200 | G2" | 45 | 8220000000023 |
| EHP C 0500-250-200 | 815EHP0C0502520 | 50 | 250 | -15/+100 | 178 | 1858 | 230 | 200 | G2" | 45 | 8220000000023 |
| EHP C 0750-250-200 | 815EHP0C0752520 | 75 | 250 | -15/+100 | 236 | 2654 | 230 | 200 | G2" | 45 | 8220000000023 |
| EHP C 0800-250-200 | 815EHP0C0802520 | 80 | 250 | -15/+100 | 247 | 2813 | 230 | 200 | G2" | 45 | 8220000000023 |
| EHP C 0900-250-200 | 815EHP0C0902520 | 90 | 250 | -15/+100 | 270 | 3131 | 230 | 200 | G2" | 45 | 8220000000023 |
| EHP C 1000-250-200 | 815EHP0C1002520 | 100 | 250 | -15/+100 | 293 | 3450 | 230 | 200 | G2" | 45 | 8220000000023 |
| EHP C 1500-250-200 | 815EHP0C1502520 | 150 | 250 | -15/+100 | 407 | 5041 | 230 | 200 | G2" | 45 | 8220000000023 |

Available in ASME VIII Division I U STAMPED, in that case EHP (C) ---> IHP (C)

(2) For other fluids consult Parker

(3) For Fluid group 1 consideration : consult Parker



EHP Series 250 bar, 25 to 200 Litres, Ø 250

Standard version (Carbon steel/seals for mineral oil). Maximum piston speed 2 m/s.
 Suitable for mineral based hydraulic fluids, Vegetable oils, water glycols (2)
 According to PED 2014/68/EU, Fluid Group 1 or 2 AD2000 (3)

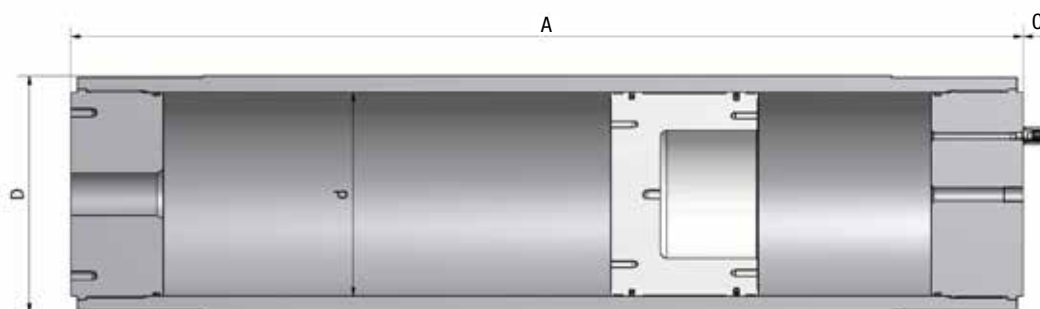
Product, Part numbers, Accessories

| Type | Part number | Effective Gas vol. Litres | Max. Working pressure (PS) bar | Admissible Accumulator Temperature min/max (°C) | Weight kg | A max Height mm | External øD | ød mm | Std Fluid port | C mm | Seal Kit |
|-------------------------------|------------------|---------------------------|--------------------------------|---|-----------|-----------------|-------------|-------|----------------|------|---------------|
| EHP C 0250/250/250 ALAFBB0000 | 815EHP0C02502525 | 25 | 250 | -15/100 | 260 | 891 | 298.5 | 250 | G2" | 45 | 8220000000003 |
| EHP C 0300/250/250 ALAFBB0000 | 815EHP0C03002525 | 30 | 250 | -15/100 | 275 | 992 | 298.5 | 250 | G2" | 45 | 8220000000003 |
| EHP C 0350/250/250 ALAFBB0000 | 815EHP0C03502525 | 35 | 250 | -15/100 | 292 | 1093 | 298.5 | 250 | G2" | 45 | 8220000000003 |
| EHP C 0400/250/250 ALAFBB0000 | 815EHP0C04002525 | 40 | 250 | -15/100 | 310 | 1196 | 298.5 | 250 | G2" | 45 | 8220000000003 |
| EHP C 0450/250/250 ALAFBB0000 | 815EHP0C04502525 | 45 | 250 | -15/100 | 328 | 1296 | 298.5 | 250 | G2" | 45 | 8220000000003 |
| EHP C 0500/250/250 ALAFBB0000 | 815EHP0C05002525 | 50 | 250 | -15/100 | 345 | 1401 | 298.5 | 250 | G2" | 45 | 8220000000003 |
| EHP C 0550/250/250 ALAFBB0000 | 815EHP0C05502525 | 55 | 250 | -15/100 | 362 | 1500 | 298.5 | 250 | G2" | 45 | 8220000000003 |
| EHP C 0600/250/250 ALAFBB0000 | 815EHP0C06002525 | 60 | 250 | -15/100 | 375 | 1606 | 298.5 | 250 | G2" | 45 | 8220000000003 |
| EHP C 0650/250/250 ALAFBB0000 | 815EHP0C06502525 | 65 | 250 | -15/100 | 392 | 1704 | 298.5 | 250 | G2" | 45 | 8220000000003 |
| EHP C 0700/250/250 ALAFBB0000 | 815EHP0C07002525 | 70 | 250 | -15/100 | 410 | 1811 | 298.5 | 250 | G2" | 45 | 8220000000003 |
| EHP C 0750/250/250 ALAFBB0000 | 815EHP0C07502525 | 75 | 250 | -15/100 | 428 | 1907 | 298.5 | 250 | G2" | 45 | 8220000000003 |
| EHP C 0800-250-250 | 815EHP0C0802525 | 80 | 250 | -15/100 | 445 | 2011 | 298.5 | 250 | G2" | 45 | 8220000000003 |
| EHP C 0900/250/250 ALAFBB0000 | 815EHP0C09002525 | 80 | 250 | -15/100 | 475 | 2216 | 298.5 | 250 | G2" | 45 | 8220000000003 |
| EHP C 1000-250-250 | 815EHP0C1002525 | 100 | 250 | -15/100 | 510 | 2421 | 298.5 | 250 | G2" | 45 | 8220000000003 |

Available in ASME VIII Division I U STAMPED, in that case EHP (C) ---> IHP (C)

(2) For other fluids consult Parker

(3) For Fluid group 1 consideration : consult Parker



EHP Series 250 bar, 30 to 500 Litres, Ø 350

Standard version (Carbon steel/seals for mineral oil). Maximum piston speed 2 m/s.
 Suitable for mineral based hydraulic fluids, Vegetable oils, water glycols. (2)
 For other fluids consult Parker. According to PED 2014/68/EU , Fluid Group 1 or 2 (3) AD2000

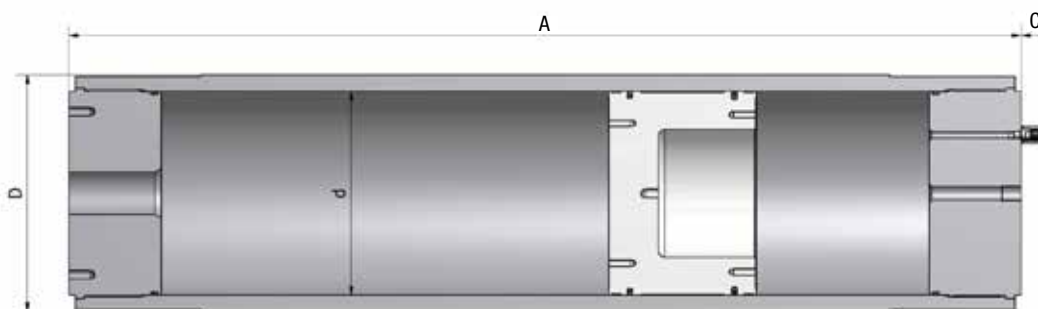
Product, Part numbers, Accessories

| Type | Part number | Effective Gas vol. Litres | Max. Working pressure (PS) bar | Admissible Accumulator Temperature min/max (°C) | Weight kg | A max Height mm | External øD | ød mm | Std Fluid port | C mm | Seal Kit |
|--------------------|-----------------|---------------------------|--------------------------------|---|-----------|-----------------|-------------|-------|----------------|------|---------------|
| EHP C 0300-250-350 | 815EHP0C0302535 | 30 | 250 | -15/100 | 445 | 818 | 406.4 | 350 | G2" | 45 | 8220000000003 |
| EHP C 0400-250-350 | 815EHP0C0402535 | 40 | 250 | -15/100 | 472 | 922 | 406.4 | 350 | G2" | 45 | 8220000000003 |
| EHP C 0500-250-350 | 815EHP0C0502535 | 50 | 250 | -15/100 | 500 | 1026 | 406.4 | 350 | G2" | 45 | 8220000000003 |
| EHP C 1000-250-350 | 815EHP0C1002535 | 100 | 250 | -15/100 | 637 | 1546 | 406.4 | 350 | G2" | 45 | 8220000000003 |
| EHP C 1500-250-350 | 815EHP0C1502535 | 150 | 250 | -15/100 | 772 | 2066 | 406.4 | 350 | G2" | 45 | 8220000000003 |
| EHP C 2000-250-350 | 815EHP0C2002535 | 200 | 250 | -15/100 | 912 | 2586 | 406.4 | 350 | G2" | 45 | 8220000000003 |
| EHP C 2500-250-350 | 815EHP0C2502535 | 250 | 250 | -15/100 | 1048 | 3106 | 406.4 | 350 | G2" | 45 | 8220000000003 |
| EHP C 3000-250-350 | 815EHP0C3002535 | 300 | 250 | -15/100 | 1185 | 3626 | 406.4 | 350 | G2" | 45 | 8220000000003 |
| EHP C 3500-250-350 | 815EHP0C3502535 | 350 | 250 | -15/100 | 1322 | 4146 | 406.4 | 350 | G2" | 45 | 8220000000003 |
| EHP C 4000-250-350 | 815EHP0C4002535 | 400 | 250 | -15/100 | 1429 | 4664 | 406.4 | 350 | G2" | 45 | 8220000000003 |
| EHP C 4500-250-350 | 815EHP0C4502535 | 450 | 250 | -15/100 | 1565 | 5183 | 406.4 | 350 | G2" | 45 | |
| EHP C 5000-250-350 | 815EHP0C5002535 | 500 | 250 | -15/100 | 1702 | 5703 | 406.4 | 350 | G2" | 45 | |

Available in ASME VIII Division I U STAMPED, in that case EHP (C) ---> IHP (C)

(2) For other fluids consult Parker

(3) For Fluid group 1 consideration : consult Parker



EHP Series 250 bar, 125 to 1000 Litres, Ø 540

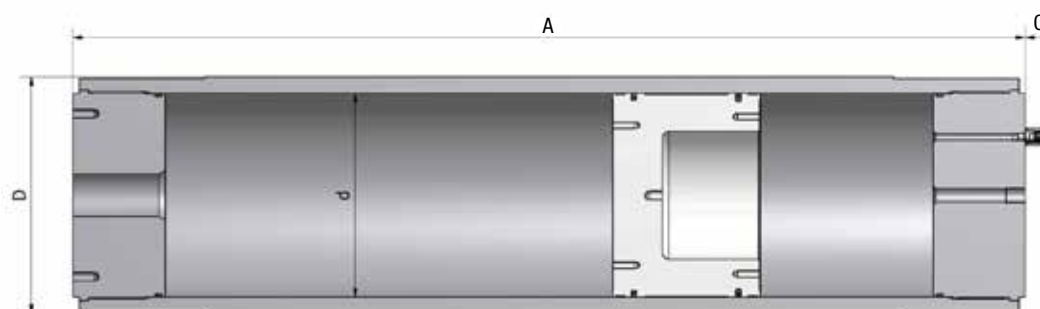
Standard version (Carbon steel/seals for mineral oil) (2)
 According to PED 2014/68/EU (3)

Product, Part numbers, Accessories

| Type | Part number | Effective Gas vol. Litres | Max. Working pressure (PS) bar | Admissible Accumulator Temperature min/max (°C) | Weight kg | A max Height mm | External øD | ød mm | Std Fluid port | C mm | Seal Kit |
|---------------------|------------------|---------------------------|--------------------------------|---|-----------|-----------------|-------------|-------|----------------|------|---------------|
| EHP C 1250-250-540 | 815EHPOC1252554 | 125 | 250 | -15/100 | 1546 | 1530 | 650 | 540 | G3" | 45 | 8220000000018 |
| EHP C 2500-250-540 | 815EHPOC2502554 | 250 | 250 | -15/100 | 2070 | 2001 | 650 | 540 | G3" | 45 | 8220000000018 |
| EHP C 3000-250-540 | 815EHPOC3002554 | 300 | 250 | -15/100 | 2546 | 2696 | 650 | 540 | G3" | 45 | 8220000000018 |
| EHP C 4000-250-540 | 815EHPOC4002554 | 400 | 250 | -15/100 | 3000 | 3154 | 650 | 540 | G3" | 45 | 8220000000018 |
| EHP C 5000-250-540 | 815EHPOC5002554 | 500 | 250 | -15/100 | 3322 | 3472 | 650 | 540 | G3" | 45 | 8220000000018 |
| EHP C 6000-250-540 | 815EHPOC6002554 | 600 | 250 | -15/100 | 3711 | 3861 | 650 | 540 | G3" | 45 | 8220000000018 |
| EHP C 7000-250-540 | 815EHPOC7002554 | 700 | 250 | -15/100 | 4099 | 4249 | 650 | 540 | G3" | 45 | 8220000000018 |
| EHP C 8000-250-540 | 815EHPOC8002554 | 800 | 250 | -15/100 | 4487 | 4637 | 650 | 540 | G3" | 45 | 8220000000018 |
| EHP C 9000-250-540 | 815EHPOC9002554 | 900 | 250 | -15/100 | 4875 | 5025 | 650 | 540 | G3" | 45 | 8220000000018 |
| EHP C 10000-250-540 | 815EHPOC10002554 | 1000 | 250 | -15/100 | 5263 | 5413 | 650 | 540 | G3" | 45 | 8220000000018 |

Available in ASME VIII Division I U STAMPED, in that case EHP (C) ---> IHP (C)

- (2) For other fluids consult Parker
- (3) For Fluid group 1 consideration : consult Parker



EHP Series 350 bar, 2 to 10 Litres, Ø 100

Standard version (Carbon Steel shell/seals for mineral oils) temperature from / 15° up to 100°C.
Maximum Piston Speed 2 m/s. Suitable for Mineral based hydraulic fluids, Vegetable oils, Water Glycols (2).
According to PED 2014/68/EU, ASME VIII Div.1 Design, Fluid Group 1/2 (3)

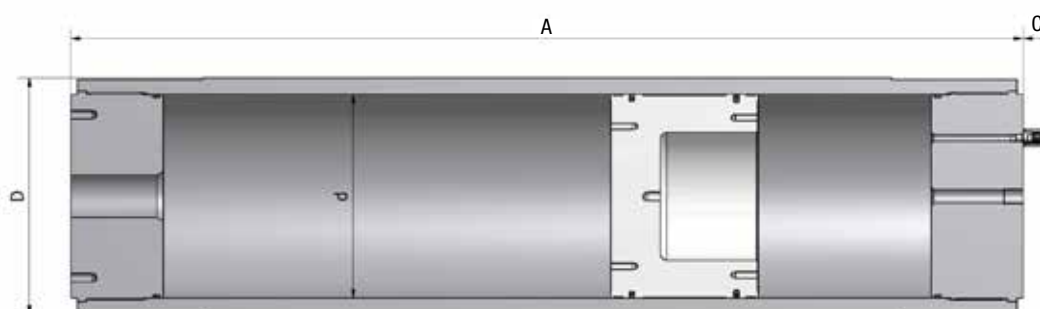
Product, Part numbers, Accessories

| Type | Part number | Effective Gas vol. Litres | Max. Working pressure (PS) bar | Admissible Accumulator Temperature min/max (°C) | Weight kg | A max Height mm | External øD | ød mm | Std Fluid port | C mm | Seal Kit |
|--------------------|------------------|---------------------------|--------------------------------|---|-----------|-----------------|-------------|-------|----------------|------|---------------|
| EHP C 0020-350-100 | 815EHP0C00023510 | 2 | 350 | -15/100 | 37 | 475 | 140 | 100 | G1" | 45 | 8220000000024 |
| EHP C 0030-350-100 | 815EHP0C00033510 | 3 | 350 | -15/100 | 45 | 602 | 140 | 100 | G1" | 45 | 8220000000024 |
| EHP C 0040-350-100 | 815EHP0C00023510 | 2 | 350 | -15/100 | 37 | 475 | 140 | 100 | G1" | 45 | 8220000000024 |
| EHP C 0050-350-100 | 815EHP0C00033510 | 3 | 350 | -15/100 | 45 | 602 | 140 | 100 | G1" | 45 | 8220000000024 |
| EHP C 0060-350-100 | 815EHP0C00063510 | 6 | 350 | -15/100 | 67 | 984 | 140 | 100 | G1" | 45 | 8220000000024 |
| EHP C 0070-350-100 | 815EHP0C00073510 | 7 | 350 | -15/100 | 75 | 1111 | 140 | 100 | G1" | 45 | 8220000000024 |
| EHP C 0080-350-100 | 815EHP0C00083510 | 8 | 350 | -15/100 | 83 | 1239 | 140 | 100 | G1" | 45 | 8220000000024 |
| EHP C 0090-350-100 | 815EHP0C00093510 | 9 | 350 | -15/100 | 90 | 1366 | 140 | 100 | G1" | 45 | 8220000000024 |
| EHP C 0100-350-100 | 815EHP0C00103510 | 10 | 350 | -15/100 | 98 | 1493 | 140 | 100 | G1" | 45 | 8220000000024 |

Available in ASME VIII Division I U STAMPED, in that case EHP (C) ---> IHP (C)

(2) For other fluids consult Parker

(3) For Fluid group 1 consideration : consult Parker



EHP Series 350 bar, 8 to 50 Litres, Ø 180

Standard version (Carbon Steel shell/seals for mineral oils). Maximum Piston Speed 2 m/s. Suitable for Mineral based hydraulic fluids, Vegetable oils, Water Glycols (2).

According to PED 2014/68/EU .Fluid Group 1/2 AD2000 (3)

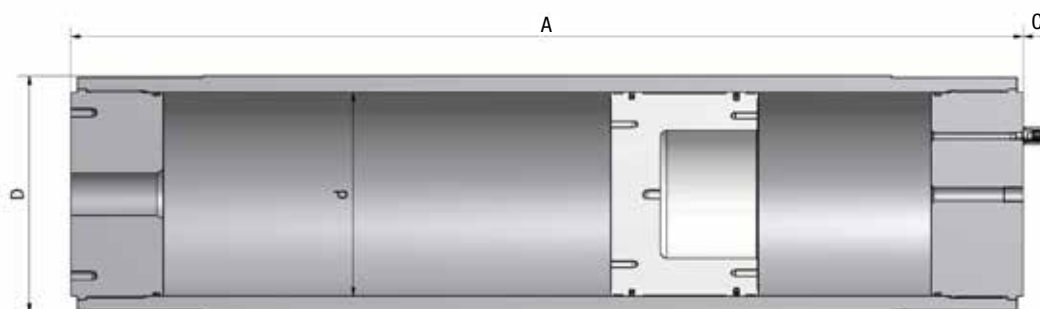
Product, Part numbers, Accessories

| Type | Part number | Effective Gas vol. Litres | Max. Working pressure (PS) bar | Admissible Accumulator Temperature min/max (°C) | Weight kg | A max Height mm | External øD | ød mm | Std Fluid port | C mm | Seal Kit |
|--------------------|-----------------|---------------------------|--------------------------------|---|-----------|-----------------|-------------|-------|----------------|------|---------------|
| EHP C 0080-350-180 | 815EHP0C0083518 | 8 | 350 | -15/100 | 130 | 646 | 229 | 180 | G2" | 45 | 8220000000011 |
| EHP C 0100-350-180 | 815EHP0C0103518 | 10 | 350 | -15/100 | 140 | 724 | 229 | 180 | G2" | 45 | 8220000000011 |
| EHP C 0150-350-180 | 815EHP0C0153518 | 15 | 350 | -15/100 | 165 | 920 | 229 | 180 | G2" | 45 | 8220000000011 |
| EHP C 0200-350-180 | 815EHP0C0203518 | 20 | 350 | -15/100 | 185 | 1116 | 229 | 180 | G2" | 45 | 8220000000011 |
| EHP C 0300-350-180 | 815EHP0C0303518 | 30 | 350 | -15/100 | 235 | 1510 | 229 | 180 | G2" | 45 | 8220000000011 |
| EHP C 0400-350-180 | 815EHP0C0403518 | 40 | 350 | -15/100 | 285 | 1902 | 229 | 180 | G2" | 45 | 8220000000011 |
| EHP C 0500-350-180 | 815EHP0C0503518 | 50 | 350 | -15/100 | 335 | 2295 | 229 | 180 | G2" | 45 | 8220000000011 |

Available in ASME VIII Division I U STAMPED, in that case EHP (C) ---> IHP (C)

(2) For other fluids consult Parker

(3) For Fluid group 1 consideration : consult Parker



EHP Series 350 bar, 25 to 200 Litres, Ø 250

Standard version (Carbon Steel shell/seals for mineral oils). Maximum Piston Speed 2 m/s.

Suitable for Mineral based hydraulic fluids, Vegetable oils, Water Glycols (2).

According to PED 2014/68/EU , Fluid Group 1/2, (3) AD2000.

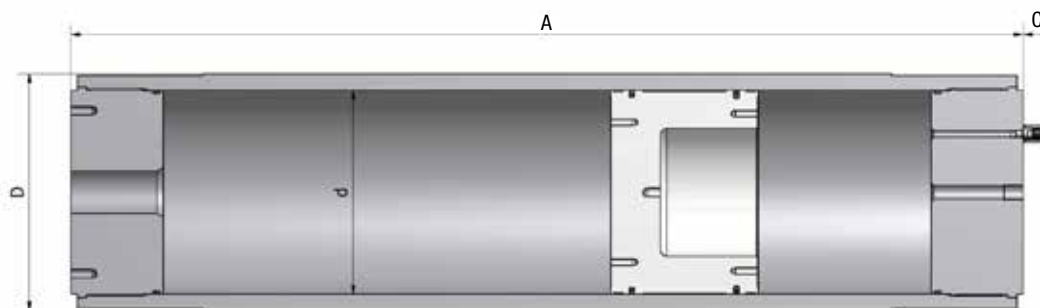
Product, Part numbers, Accessories

| Type | Part number | Effective Gas vol. Litres | Max. Working pressure (PS) bar | Admissible Accumulator Temperature min/max (°C) | Weight kg | A max Height mm | External øD | ød mm | Std Fluid port | C mm | Seal Kit |
|--------------------|-----------------|---------------------------|--------------------------------|---|-----------|-----------------|-------------|-------|----------------|------|---------------|
| EHP C 0250-350-250 | 815EHP0C0253525 | 25 | 350 | -15/100 | 355 | 914 | 323.8 | 250 | G2" | 45 | 8220000000003 |
| EHP C 0300-350-250 | 815EHP0C0303525 | 30 | 350 | -15/100 | 380 | 1016 | 323.8 | 250 | G2" | 45 | 8220000000003 |
| EHP C 0400-350-250 | 815EHP0C0403525 | 40 | 350 | -15/100 | 435 | 1220 | 323.8 | 250 | G2" | 45 | 8220000000003 |
| EHP C 0500-350-250 | 815EHP0C0503525 | 50 | 350 | -15/100 | 485 | 1423 | 323.8 | 250 | G2" | 45 | 8220000000003 |
| EHP C 0600-350-250 | 815EHP0C0603525 | 60 | 350 | -15/100 | 510 | 1627 | 323.8 | 250 | G2" | 45 | 8220000000003 |
| EHP C 0700-350-250 | 815EHP0C0703525 | 70 | 350 | -15/100 | 595 | 1830 | 323.8 | 250 | G2" | 45 | 8220000000003 |
| EHP C 0800-350-250 | 815EHP0C0803525 | 80 | 350 | -15/100 | 645 | 2035 | 323.8 | 250 | G2" | 45 | 8220000000003 |
| EHP C 0900-350-250 | 815EHP0C0903525 | 90 | 350 | -15/100 | 700 | 2238 | 323.8 | 250 | G2" | 45 | 8220000000003 |
| EHP C 0950-350-250 | 815EHP0C0953525 | 95 | 350 | -15/100 | 725 | 2340 | 323.8 | 250 | G2" | 45 | 8220000000003 |
| EHP C 1000-350-250 | 815EHP0C1003525 | 100 | 350 | -15/100 | 750 | 2442 | 323.8 | 250 | G2" | 45 | 8220000000003 |

Available in ASME VIII Division I U STAMPED, in that case EHP (C) ---> IHP (C)

(2) For other fluids consult Parker

(3) For Fluid group 1 consideration : consult Parker



EHP Series 350 bar, 30 to 350 Litres, Ø 350

Standard version (**Carbon Steel** shell/seals for mineral oils) temperature from - 15° up to 100°C. Maximum Piston Speed 2 m/s. Suitable for Mineral based hydraulic fluids, Vegetable oils, Water Glycols (2).

According to PED 2014/68/EU Fluid Group 1/2 (3)

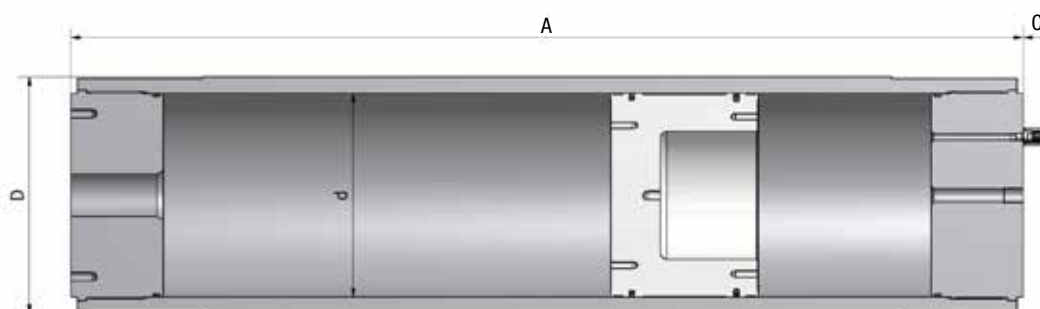
Product, Part numbers, Accessories

| Type | Part number | Effective Gas vol. Litres | Max. Working pressure (PS) bar | Admissible Accumulator Temperature min/max (°C) | Weight kg | A max Height mm | External øD | ød mm | Std Fluid port | C mm | Seal Kit |
|--------------------|------------------|---------------------------|--------------------------------|---|-----------|-----------------|-------------|-------|----------------|------|---------------|
| EHP C 0300/350/350 | 815EHP0C03003535 | 30 | 350 | -15/100 | 775 | 842 | 457.2 | 350 | G5" | 45 | 8220000000002 |
| EHP C 0400/350/350 | 815EHP0C04003535 | 40 | 350 | -15/100 | 830 | 946 | 457.2 | 350 | G5" | 45 | 8220000000002 |
| EHP C 0500/350/350 | 815EHP0C05003535 | 50 | 350 | -15/100 | 885 | 1050 | 457.2 | 350 | G5" | 45 | 8220000000002 |
| EHP C 0600/350/350 | 815EHP0C06003535 | 60 | 350 | -15/100 | 940 | 1154 | 457.2 | 350 | G5" | 45 | 8220000000002 |
| EHP C 0700/350/350 | 815EHP0C07003535 | 70 | 350 | -15/100 | 995 | 1259 | 457.2 | 350 | G5" | 45 | 8220000000002 |
| EHP C 0800/350/350 | 815EHP0C08003535 | 80 | 350 | -15/100 | 1050 | 1362 | 457.2 | 350 | G5" | 45 | 8220000000002 |
| EHP C 0900/350/350 | 815EHP0C09003535 | 90 | 350 | -15/100 | 1110 | 1466 | 457.2 | 350 | G5" | 45 | 8220000000002 |
| EHP C 1000/350/350 | 815EHP0C10003535 | 100 | 350 | -15/100 | 1165 | 1570 | 457.2 | 350 | G5" | 45 | 8220000000002 |
| EHP C 1500/350/350 | 815EHP0C15003535 | 150 | 350 | -15/100 | 1440 | 2090 | 457.2 | 350 | G5" | 45 | 8220000000002 |
| EHP C 2000/350/350 | 815EHP0C20003535 | 200 | 350 | -15/100 | 1720 | 2610 | 457.2 | 350 | G5" | 45 | 8220000000002 |
| EHP C 2500/350/350 | 815EHP0C25003535 | 250 | 350 | -15/100 | 1995 | 3130 | 457.2 | 350 | G5" | 45 | 8220000000002 |
| EHP C 3000/350/350 | 815EHP0C30003535 | 300 | 350 | -15/100 | 2275 | 3650 | 457.2 | 350 | G5" | 45 | 8220000000002 |
| EHP C 3500/350/350 | 815EHP0C35003535 | 350 | 350 | -15/100 | 2550 | 4170 | 457.2 | 350 | G5" | 45 | 8220000000002 |

Available in ASME VIII Division I U STAMPED, in that case EHP (C) ----> IHP (C)

(2) For other fluids consult Parker

(3) For Fluid group 1 consideration : consult Parker



EHP Series 350 bar, 125 to 1000 Litres, Ø 540

Standard Version (Carbon Steel shell) for mineral oils (2) temperature from - 15° up to 100°C

According to PED 2014/68/EU Fluid Group 1/2 (3)

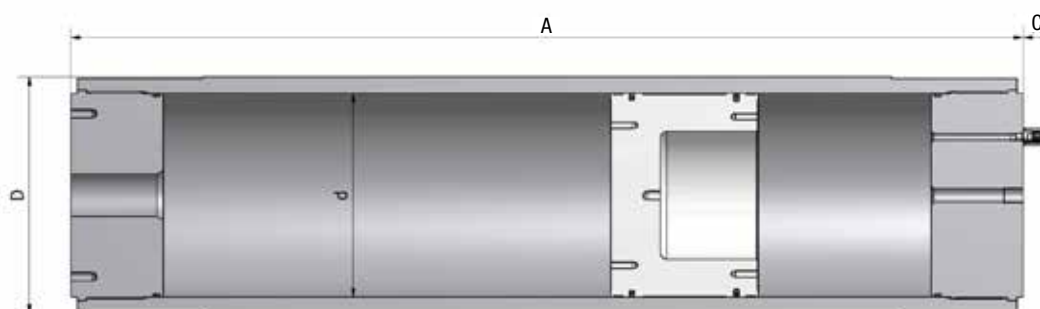
Product, Part numbers, Accessories

| Type | Part number | Effective Gas vol. Litres | Max. Working pressure (PS) bar | Admissible Accumulator Temperature min/max (°C) | Weight kg | A max Height mm | External øD | ød mm | Std Fluid port | C mm | Seal Kit |
|---------------------|------------------|---------------------------|--------------------------------|---|-----------|-----------------|-------------|-------|----------------|------|---------------|
| EHP C 1250-350-540 | 815EHPOC1253554 | 125 | 350 | -15/+100 | 1763 | 1730 | 730 | 540 | G 3" | 45 | 8220000000018 |
| EHP C 2500-350-540 | 815EHPOC2503554 | 250 | 350 | -15/+100 | 2366 | 2201 | 730 | 540 | G 3" | 45 | 8220000000018 |
| EHP C 3000-350-540 | 815EHPOC3003554 | 300 | 350 | -15/+100 | 2913 | 2896 | 730 | 540 | G 3" | 45 | 8220000000018 |
| EHP C 4000-350-540 | 815EHPOC4003554 | 400 | 350 | -15/+100 | 3435 | 3354 | 730 | 540 | G 3" | 45 | 8220000000018 |
| EHP C 5000-350-540 | 815EHPOC5003554 | 500 | 350 | -15/+100 | 3805 | 3672 | 730 | 540 | G 3" | 45 | 8220000000018 |
| EHP C 6000-350-540 | 815EHPOC6003554 | 600 | 350 | -15/+100 | 4253 | 4061 | 730 | 540 | G 3" | 45 | 8220000000018 |
| EHP C 7000-350-540 | 815EHPOC7003554 | 700 | 350 | -15/+100 | 4699 | 4449 | 730 | 540 | G 3" | 45 | 8220000000018 |
| EHP C 8000-350-540 | 815EHPOC8003554 | 800 | 350 | -15/+100 | 5145 | 4837 | 730 | 540 | G 3" | 45 | 8220000000018 |
| EHP C 9000-350-540 | 815EHPOC9003554 | 900 | 350 | -15/+100 | 5591 | 5225 | 730 | 540 | G 3" | 45 | 8220000000018 |
| EHP C 10000-350-540 | 815EHPOC10003554 | 1000 | 350 | -15/+100 | 6037 | 5613 | 730 | 540 | G 3" | 45 | 8220000000018 |

Available in ASME VIII Division I U STAMPED, in that case EHP (C) ---> IHP (C)

(2) For other fluids consult Parker

(3) For Fluid group 1 consideration : consult Parker



Regulations for A/ACP/AP/DC/EHP Piston Accumulators

This table is giving an indication of approval availability for the range of products. Availability is to be confirmed for each approval, in particular the pressure rating and the allowable working temperatures.

| Destination | | Nominal Internal ϕ (mm) | Material (CS or SS) | EUROPE | | | | USA | | CHINA | | CANADA | |
|-------------|------------------|---------------------------------|------------------------|-------------------|-------------------|------|--------------------------------|------------------|--------------------------------|-------|--------------------------------|--------|--------------------------------|
| Type * | Volume range (L) | | | PED FLUID GROUP 2 | PED FLUID GROUP 1 | ATEX | Maximum Working Pressure (Bar) | ASME VIII div. 1 | Maximum Working Pressure (Psi) | SELO | Maximum Working Pressure (Bar) | CRN | Maximum Working Pressure (Psi) |
| A | 0,1 to 2 L | 50 | CS | ● | ○ | ○ | 250 & 350 | | | ○ | | ● | 207,250,275,345,350 Bar |
| A | 0,25 to 8 L | 75 | CS | ● | ○ | ○ | 250 & 350 | | | ○ | | ● | 207,250,275,345,350 Bar |
| A | 0,7 to 12 L | 100 | CS | ● | ○ | ○ | 250 & 350 | ● | 207 Bar | ○ | | ● | 207,250,275,345,350 Bar |
| A | 2 to 14 L | 125 | CS | ● | ○ | ○ | 250 bar | | | ○ | | ● | 207,250 Bar |
| A | 3,8 to 38 L | 150 | CS | ● | ○ | ○ | 250 & 350 | | | ○ | | ● | 207,250,275,345,350 Bar |
| A | 9,5 to 76 L | 200 | CS | ● | ○ | ○ | 250 bar | ● | 207 Bar | ○ | | ● | 207,250,275,345,350 Bar |
| ACP | 0.02 to 12L | 40 | CS | ● | ○ | ○ | 260 | | | ○ | | ● | 260 Bar |
| ACP | 0.08 to 2 L | 50 | CS | ● | ○ | ○ | 275 | | | ○ | | ● | 275 Bar |
| ACP | 0.25 to 8 L | 80 | CS | ● | ○ | ○ | 275 | | | ○ | | ● | 275 Bar |
| ACP | 0.7 to 12 L | 100 | CS | ● | ○ | ○ | 275 | | | ○ | | ● | 275 Bar |
| ACP | 3 to 40L | 150 | CS | ● | ○ | ○ | 275 | | | ○ | | ● | 275 Bar |
| AP | 6 to 80 L | 180 | CS | ● | ○ | ○ | 250 & 350 | | | ○ | | | |
| AP | 30 to 150L | 250 | CS | ● | ○ | ○ | 250 & 350 | | | ○ | | | |
| AP | 100 to 300L | 360 | CS | ● | ○ | ○ | 250 & 350 | | | ○ | | | |
| DC | 6 to 80 L | 180 | CS | ● | ○ | ○ | 250 & 350 | | | ○ | | | |
| DC | 30 to 150L | 250 | CS | ● | ○ | ○ | 250 & 350 | | | ○ | | | |
| DC | 100 to 300L | 360 | CS | ● | ○ | ○ | 250 & 350 | | | ○ | | | |
| EHP C | 1 to 10 L | 100 | CS | ● | ○ | ○ | 350 bar | ● | (1) | ○ | | ● | (2) |
| EHP C | 8 to 75 L | 180 | CS | ● | ○ | ○ | 250 bar | ● | (1) | ○ | | ● | (2) |
| EHP C | 8 to 75 L | 180 | CS | ● | ○ | ○ | 350 bar | ● | (1) | ○ | | ● | (2) |
| EHP C | 10 to 150 L | 200 | CS | ● | ○ | ○ | 350 bar | ● | (1) | ○ | | ● | (2) |
| EHP C | 20 to 200 L | 250 | CS | ● | ○ | ○ | 250 bar | ● | (1) | ○ | | ● | (2) |
| EHP C | 20 to 200 L | 250 | CS | ● | ○ | ○ | 350 bar | ● | (1) | ○ | | ● | (2) |
| EHP C | 30 to 500 L | 350 | CS | ● | ○ | ○ | 250 bar | ● | (1) | ○ | | ● | (2) |
| EHP C | 30 to 700 L | 350 | CS | ● | ○ | ○ | 350 bar | ● | (1) | ○ | | ● | (2) |
| EHP C | 10 to 150 L | 200 | CS | ● | ○ | ○ | 250 bar | ● | (1) | ○ | | ● | (2) |
| EHP S | 1 to 50 L | 140 | SS | ● | ○ | ○ | 250 bar | ● | (1) | ○ | | ● | (2) |
| EHP S | 10 to 150 L | 195 | SS | ● | ○ | ○ | 250 bar | ● | (1) | ○ | | ● | (2) |
| EHP(G) C | 8 to 75 L | 180 | CS | ● | ○ | ○ | 250 bar | ● | (1) | ○ | | ● | (2) |
| EHP(G) C | 150 to 650 L | 540 | CS | ● | ○ | ○ | 220 or 250 | ● | (1) | ○ | | ● | (2) |
| EHP(G) C | 150 to 650 L | 540 | CS | ● | ○ | ○ | 350 bar | ● | (1) | ○ | | ● | (2) |
| EHP(G) S | 60 to 400 L | 360 | SS | ● | ○ | ○ | 207 bar | ● | (1) | ○ | | ● | (2) |

● Available

○ Available on request

(1) Pressure rating different from PED, based on ASME material, possibility of U-STAMP

(2) Based on ASME Certification, whatever Province CRN could be obtained

(3) Based on ASME Certification, whatever Design Verification could be obtained

| AUSTRALIA | | | BRAZIL | | | RUSSIA, KAZAKH- STAN, BELARUS | | | MARINE - OFFSHORE | | | | | | | |
|-----------|--------------------------------|--------------------------------|--------|--------------------------------|--------------------------------|----------------------------------|--------------------------------|------------------------------------|---------------------|--------------------------------|--------------------------|--------------------------------|---------------------------------------|--------------------------------|-------------------------------|--------------------------------|
| AS1210 | Maximum Working Pressure (Bar) | Maximum Working Pressure (Bar) | NR13 | Maximum Working Pressure (Bar) | Maximum Working Pressure (Bar) | CUTR 032/2013 | Maximum Working Pressure (Bar) | Maximum Working Pressure Psi (Bar) | DNV MOBILE SHIPS | Maximum Working Pressure (Bar) | BUREAU VERITAS MARINE | Maximum Working Pressure (Bar) | ABS AMERICAN BUREAU OF SHIPPING | Maximum Working Pressure (Bar) | GL GERMANISCHER LLOYD'S | Maximum Working Pressure (Bar) |
| • | 250 | | | | | | | | | | | | | | | |
| • | 250 | | | | | | | | | | | | | | | |
| • | 207,250,275,345,350 | | | | | | | | | | | | | | | |
| • | 250 | | | | | | | | | | | | | | | |
| • | 207,250,350 | | | | | | | | | | | | | | | |
| • | 250 | | | | | | | | | | | | | | | |
| • | 275 | | | | | | | | | | | | | | | |
| • | 275 | | | | | | | | | | | | | | | |
| • | 275 | | | | | | | | | | | | | | | |
| ○ | 275 | | | | | | | | | | | | | | | |
| | | | | | | | | | | | | | | | | |
| | | | | | | | | | | | | | | | | |
| | | | | | | | | | | | | | | | | |
| | | | | | | | | | | | | | | | | |
| | | | | | | | | | | | | | | | | |
| • | | (3) | | | | • | 350 | (1) | | | | | | | | |
| • | | (3) | | | | • | 250 | (1) | | | | | | | | |
| • | | (3) | | | | • | 350 | (1) | | | | | | | | |
| • | | (3) | | | | • | 350 | (1) | | | | | | | | |
| • | | (3) | | | | • | 250 | (1) | | | | | | | | |
| • | | (3) | | | | • | 350 | (1) | | | | | | | | |
| • | | (3) | | | | • | 350 | (1) | | | | | | | | |
| • | | (3) | | | | • | 250 | (1) | | | | | | | | |
| • | | (3) | | | | • | 250 | (1) | | | | | | | | |
| • | | (3) | | | | • | 250 | (1) | | | | | | | | |
| • | | (3) | | | | • | 250 | (1) | | | | | | | | |
| • | | (3) | | | | • | 250 | (1) | | | | | | | | |
| • | | (3) | | | | • | 250 | (1) | | | | | | | | |
| • | | (3) | | | | • | 250 | (1) | | | | | | | | |
| • | | (3) | | | | • | 350 | (1) | | | | | | | | |
| • | | (3) | | | | • | 207 | (1) | | | | | | | | |

Regulations for EHP/EHP2 Piston Accumulators

This table is giving an indication of approval availability for the range of products.
 Availability is to be confirmed for each approval, in particular the pressure rating and the allowable working temperatures.

| Destination | | Nominal internal ϕ (mm) | Material (CS or SS) | EUROPE | | | | USA | | CHINA | | CANADA | |
|-------------|------------------|---------------------------------|------------------------|-------------------|-------------------|------|--------------------------------|------------------|--------------------------------|-------|--------------------------------|--------|--------------------------------|
| Type * | Volume range (L) | | | PED FLUID GROUP 2 | PED FLUID GROUP 1 | ATEX | Maximum Working Pressure (Bar) | ASME VIII div. 1 | Maximum Working Pressure (Psi) | SELO | Maximum Working Pressure (Bar) | CRN | Maximum Working Pressure (Psi) |
| EHP/EHP2 | 0,15 to 4L | 50 | CS | ● | ○ | ○ | 360 | | | ○ | | | |
| EHP/EHP2 | 1,5 to 4L | 50 | CS | ● | ○ | ○ | 250 | | | ○ | | | |
| EHP/EHP2 | 1,5L to 4L | 80 | CS | ● | ○ | ○ | 250 | | | ○ | | | |
| EHP/EHP2 | 0,8 to 15L | 100 | CS | ● | ○ | ○ | 250 | | | ○ | | | |
| EHP/EHP2 | 0,5 to 15L | 100 | CS | ● | ○ | ○ | 350 | | | ○ | | | |
| EHP/EHP2 | 3,6L | 125 | CS | ● | ○ | ○ | 350 | | | ○ | | | |
| EHP/EHP2 | 4 to 25L | 140 | CS | ● | ○ | ○ | 250 | | | ○ | | | |
| EHP/EHP2 | 4 to 25L | 140 | CS | ● | ○ | ○ | 310 | | | ○ | | | |
| EHP/EHP2 | 10 to 45L | 180 | CS | ● | ○ | ○ | 250 | | | ○ | | | |
| EHP/EHP2 | 10 to 100L | 180 | CS | ● | ○ | ○ | 350 | | | ○ | | | |
| EHP/EHP2 | 10 to 55L | 200 | CS | ● | ○ | ○ | 250 | | | ○ | | | |
| EHP/EHP2 | 10 to 150L | 200 | CS | ● | ○ | ○ | 350 | | | ○ | | | |
| EHP/EHP2 | 50 to 220L | 250 | CS | ● | ○ | ○ | 250 | | | ○ | | | |
| EHP/EHP2 | 50 to 220L | 250 | CS | ● | ○ | ○ | 350 | | | ○ | | | |
| EHP/EHP2 | 100 to 640L | 360 | CS | ● | ○ | ○ | 250 | | | ○ | | | |

- Available
- Available on request

- (1) Pressure rating different from PED, based on ASME material, possibility of U-STAMP
- (2) Based on ASME Certification, whatever Province CRN could be obtained
- (3) Based on ASME Certification, whatever Design Verification could be obtained

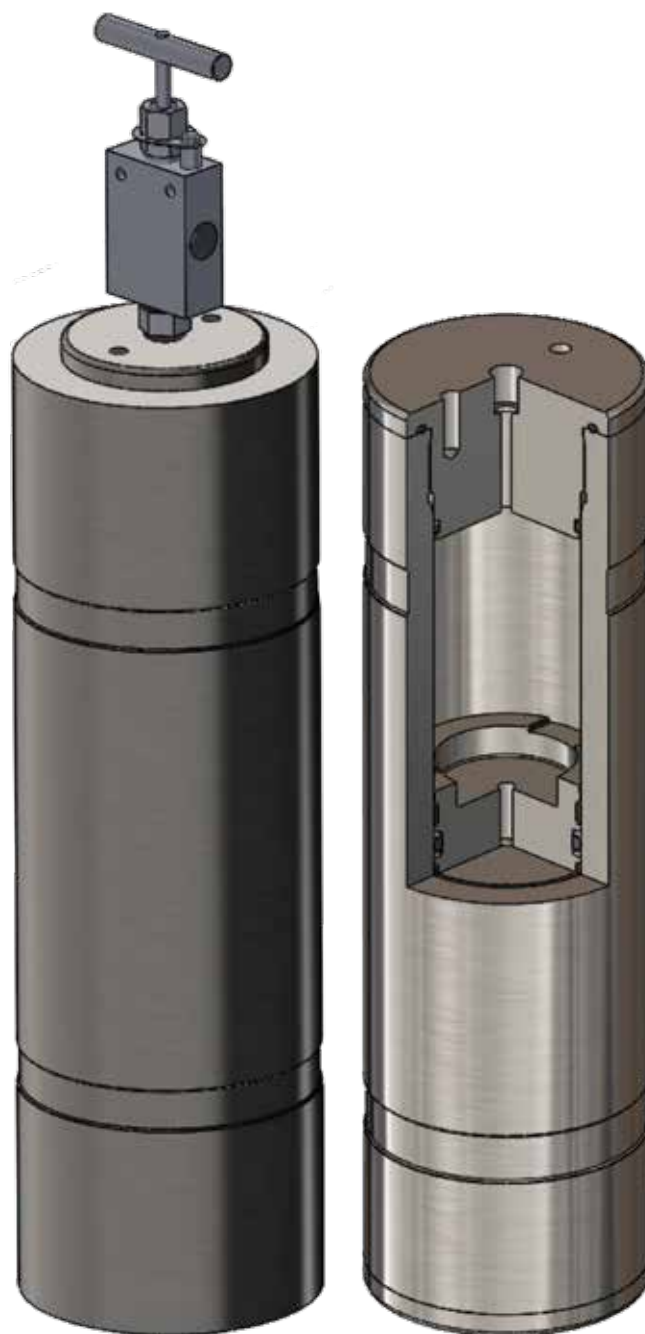
| AUSTRALIA | | | BRASIL | | | RUSSIA, KAZAKHSTAN, BELARUSSIA | | | MARINE - OFFSHORE | | | | | | | |
|-----------|--------------------------------|--------------------------------|--------|--------------------------------|--------------------------------|-----------------------------------|--------------------------------|------------------------------------|-------------------|--------------------------------|-----------------------|--------------------------------|---------------------------------|--------------------------------|-------------------------|--------------------------------|
| AS1210 | Maximum Working Pressure (Bar) | Maximum Working Pressure (Bar) | NR13 | Maximum Working Pressure (Bar) | Maximum Working Pressure (Bar) | CUTR 032/2013 | Maximum Working Pressure (Bar) | Maximum Working Pressure Psi (Bar) | DNV MOBILE SHIPS | Maximum Working Pressure (Bar) | BUREAU VERITAS MARINE | Maximum Working Pressure (Bar) | ABS AMERICAN BUREAU OF SHIPPING | Maximum Working Pressure (Bar) | GL GERMANISCHER LLOYD'S | Maximum Working Pressure (Bar) |
| ○ | | | N/A | | | ○ | 360 | | - | | ○ | | ● | 360 | - | |
| ○ | | | N/A | | | ○ | 250 | | ● | 250 | ○ | | ● | 250 | ● | 250 |
| ○ | | | N/A | | | ○ | 250 | | ● | 250 | ○ | | ● | 250 | ● | 250 |
| ○ | | | N/A | | | ○ | 250 | | ● | 250 | ○ | | ● | 250 | ● | 250 |
| ○ | | | N/A | | | ○ | 350 | | ● | 350 | ○ | | ● | 350 | ● | 350 |
| ○ | | | N/A | | | ○ | 350 | | ○ | | ○ | | ○ | | ○ | |
| ○ | | | N/A | | | ○ | 250 | | ● | 250 | ○ | | ● | 250 | ● | 250 |
| ○ | | | N/A | | | ○ | 310 | | - | | ○ | | ● | 310 | - | |
| ○ | | | ● | | 250 | ○ | 250 | | ● | 250 | ○ | | ● | 250 | ● | 250 |
| ○ | | | ● | | 250 | ○ | 350 | | ● | 350 | ○ | | ● | 350 | ● | 350 |
| ○ | | | ● | | 250 | ○ | 250 | | ● | 250 | ○ | | ● | 250 | ● | 250 |
| ○ | | | ● | | 350 | ○ | 350 | | ● | 350 | ○ | | ● | 350 | ● | 350 |
| ○ | | | ● | | 250 | ○ | 250 | | ● | 250 | ○ | | ● | 250 | ● | 250 |
| ○ | | | ● | | 250 | ○ | 350 | | ● | 350 | ○ | | ● | 350 | ● | 350 |
| ○ | | | ● | | 250 | ○ | 250 | | ● | 250 | ○ | | ● | 250 | ● | 250 |

up to 3000 bar: EHP Pistons

Carbon and Stainless Steel

Benefits

- **Experienced Technical Support Team** to help develop the most effective and efficient product for your system/application.
- **Materials to suit the most demanding environments.** Parker Olaer offer a choice of materials from metallic and elastomeric components to suit the operating environment e.g. chemical compatibility, environment conditions (topside or subsea) and temperature extremes.
- **International design codes and regulations.**
- **Meeting the highest pressure requirements.** This high pressure piston range can provide pressures of up to 2500 bar (more than 36,000 psi).
- **Bespoke Designs to suit your needs.** Parker Olaer pistons can be designed and built to your specified criteria and can therefore meet any space limitations you may have.



High Pressure, up to 3000 bar: General Information

Technical Characteristics:

Capabilities

Parker ACDE Piston Accumulators are available in any capacity up to 1350 litres. Capacity is only limited by pressure and available materials. Our standard range is 1 litre up-to and including 150 litres. All units are made to order, and can be custom engineered to suit specific space restrictions.

Pressure

Piston Accumulators are available in any pressure between 5 bar and 3000 bar. The pressure rating is dependant on capacity and/or available materials.

Materials

Our units are available in a variety of materials such as Carbon steel, Stainless steel, Duplex or Super Duplex steels and Aluminium. All come with a choice of material certification options.

Design

Vessels will be in accordance with the PED 97/23/EC for use in Europe and designed to PD5500. Optional 3rd party witness (eg. Lloyds) available. Other design codes can be considered for example ASME VIII Div 1.

Fluid End Connections

To suit customer requirements – e.g. NPT, BSP, Autoclave type or SAE/ASME flanged.

Gas End Connections

To suit customer requirements – e.g. NPT, BSP, Autoclave type or SAE/ASME flanged. Transfer barrier ports, Gas Charging valves (brass and stainless) Gas pressure relief devices e.g. Burst discs and Fuse plugs.

Seals

For low or high temperature applications. Materials typically Nitrile, PTFE, Viton, EPDM and others.

Piston Position Indicators

Carbon Steel Options:

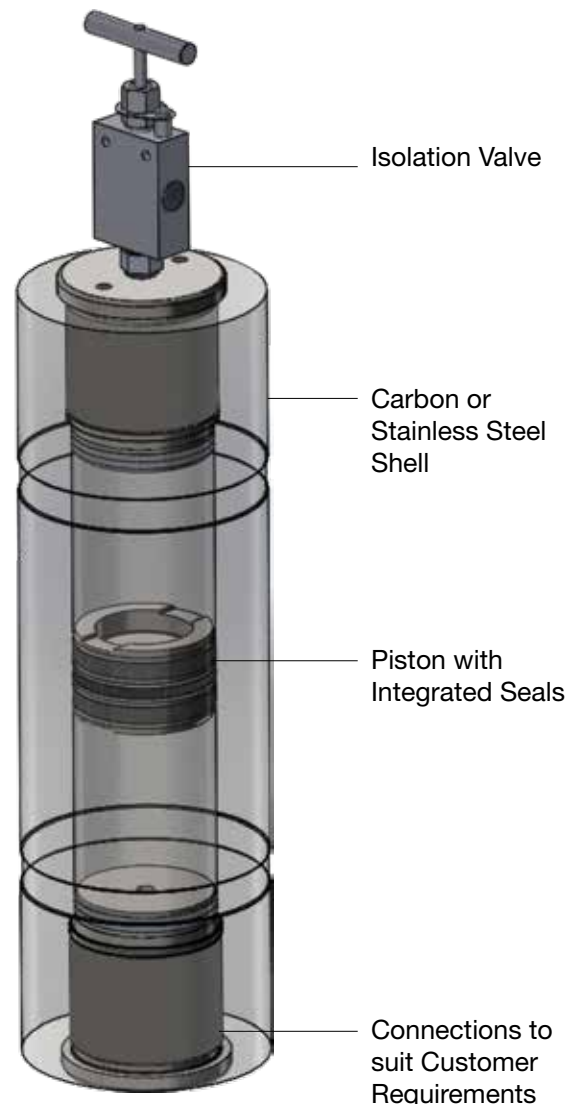
- Tailrod – magnetic operation with visual flapper or magnetic indicator switch.
- Bent tube Indicator - magnetic operation with visual flapper or magnetic indicator switch.
- Tailrod – operating a cam/switch.
- Proximity switch

Stainless Steel Options:

- Piston Magnet - magnetic operation with visual flapper or magnetic indicator switch
- Proximity switches

Carbon Steel Units

Wide range of product sizes we are available. For further information please contact a member of our sales team.



Raising the bar on piston design

Fully flexible design capacity allowing us to design products to suit your applications.

This is a small selection of the pistons we commonly supply however please contact us for other options and prices.

Available on request
 Standard product

Carbon Steel Pistons

| Bar | Internal Diameter (Ø d) | | | | | | | | | | | |
|------|-------------------------|----|----|-----|-----|-----|-----|-----|-----|-----|-----|-----|
| | 50 | 80 | 90 | 100 | 115 | 125 | 160 | 180 | 200 | 250 | 360 | 500 |
| 200 | | | | | | | | | | | | |
| 350 | | | | | | | | | | | | |
| 500 | | | | | | | | | | | | |
| 750 | | | | | | | | | | | | |
| 1000 | | | | | | | | | | | | |
| 1250 | | | | | | | | | | | | |
| 1500 | | | | | | | | | | | | |
| 1750 | | | | | | | | | | | | |
| 2000 | | | | | | | | | | | | |
| 2250 | | | | | | | | | | | | |
| 2500 | | | | | | | | | | | | |

Contact Parker Olaer

Stainless Steel (17/4) Pistons

| Bar | Internal Diameter (Ø d) | | | | | | | | | | | |
|------|-------------------------|----|----|-----|-----|-----|-----|-----|-----|-----|-----|-----|
| | 50 | 80 | 90 | 100 | 115 | 125 | 160 | 180 | 200 | 250 | 360 | 500 |
| 200 | | | | | | | | | | | | |
| 350 | | | | | | | | | | | | |
| 500 | | | | | | | | | | | | |
| 750 | | | | | | | | | | | | |
| 1000 | | | | | | | | | | | | |
| 1250 | | | | | | | | | | | | |
| 1500 | | | | | | | | | | | | |
| 1750 | | | | | | | | | | | | |
| 2000 | | | | | | | | | | | | |
| 2250 | | | | | | | | | | | | |
| 2500 | | | | | | | | | | | | |

Contact Parker Olaer

Stainless Steel (AISI 316) Pistons

| Bar | Internal Diameter (Ø d) | | | | | | | | | | | |
|------|-------------------------|----|----|-----|-----|-----|-----|-----|-----|-----|-----|-----|
| | 50 | 80 | 90 | 100 | 115 | 125 | 160 | 180 | 200 | 250 | 360 | 500 |
| 200 | | | | | | | | | | | | |
| 350 | | | | | | | | | | | | |
| 500 | | | | | | | | | | | | |
| 750 | | | | | | | | | | | | |
| 1000 | | | | | | | | | | | | |
| 1250 | | | | | | | | | | | | |
| 1400 | | | | | | | | | | | | |

Contact Parker Olaer

Duplex Pistons

| Bar | Internal Diameter (Ø d) | | | | | | | | | | | |
|------|-------------------------|----|----|-----|-----|-----|-----|-----|-----|-----|-----|-----|
| | 50 | 80 | 90 | 100 | 115 | 125 | 160 | 180 | 200 | 250 | 360 | 500 |
| 200 | | | | | | | | | | | | |
| 350 | | | | | | | | | | | | |
| 500 | | | | | | | | | | | | |
| 750 | | | | | | | | | | | | |
| 1000 | | | | | | | | | | | | |

Contact Parker Olaer

Super Duplex Pistons

| Bar | Internal Diameter (Ø d) | | | | | | | | | | | |
|------|-------------------------|----|----|-----|-----|-----|-----|-----|-----|-----|-----|-----|
| | 50 | 80 | 90 | 100 | 115 | 125 | 160 | 180 | 200 | 250 | 360 | 500 |
| 200 | | | | | | | | | | | | |
| 350 | | | | | | | | | | | | |
| 500 | | | | | | | | | | | | |
| 750 | | | | | | | | | | | | |
| 1000 | | | | | | | | | | | | |
| 1250 | | | | | | | | | | | | |

Contact Parker Olaer