

Dental unit

electra *ambi*

Versatility of movements



Fedesa

A lifetime



Dental unit **electra***ambi*



 **Fedesa**
A lifetime

With the dental unit **Electra Ambi**, **FEDESA** provides a perfect solution for a dental chair with a wide arrange of users. Focused, as usual, in the functionality of the unit and the comfortability of the patient's support, Ambi combines all the features of the Electra treatment unit and makes them available for right-and-left-handed doctors, covering all major needs in every doctor's clinic.

The Ambi unit enables a better communication and dialogue between operator and patient thanks to its knee-break system. The synchronized movement of backrest and footrest allows for a smooth transition from a sitting position to the operations position.



Dental unit electra^{ambi}

The **Ambi unit** is presented with relevant features which help operators in their daily work reducing fatigue, saving movements and adapting the unit to the different positions that the treatment requires. The doctor's unit is attached to a swivelling and compensated arm with two simple movements, to change from right-handed use to left-handed use.

The various safety systems present in the chair's lowering function, backrest and assistant's workstation ensure and incident-free use in all its versions.

As in every Fedesa chair, the low starting position allows for a very comfortable access to the chair for every patient. The backrest's removable flaps and the adjustable headrest allow for a perfect accessibility in every treatment.

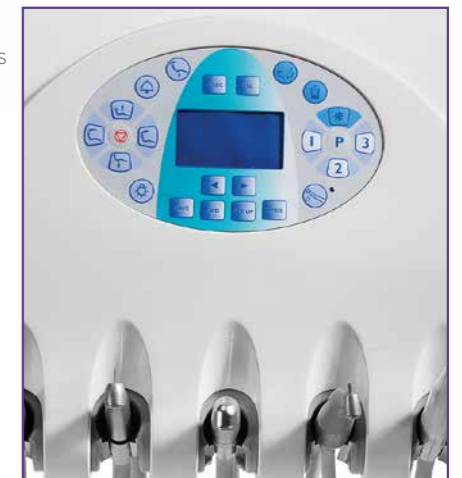


The **cuspidor** incorporates a removable faucet and bowl. The bowl is made of polyamide, and it can be removed from the unit, as well as the faucet, for an easier cleaning and disinfection process, thus providing higher levels of hygiene. The colour of the bowl can match the colour of the upholstery. The water bowl can rotate 180°, allowing for an easier rinsing during and after the treatment.



The **control panel** enables the control of all the functions of the dental unit in an easy and intuitive manner, from the operation light, to the emergency position and return to zero position.

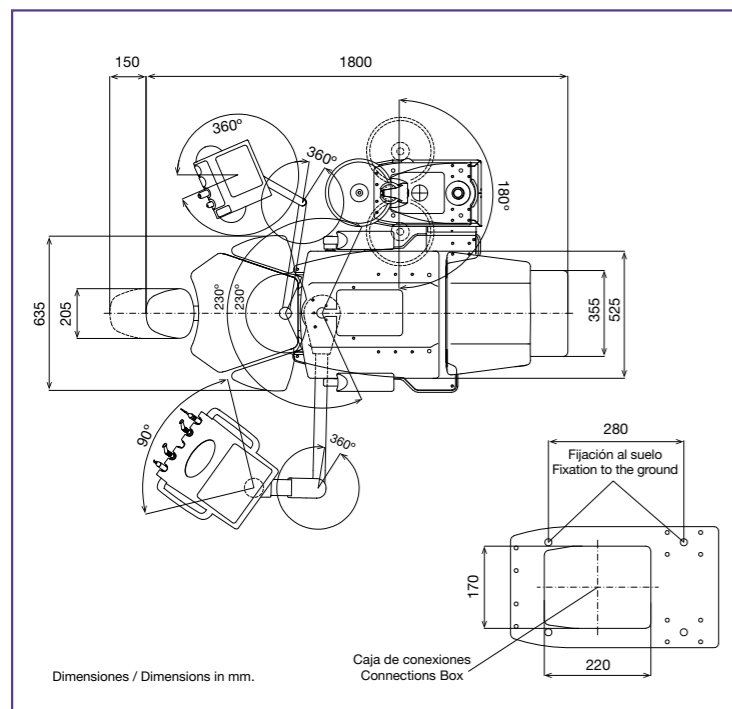
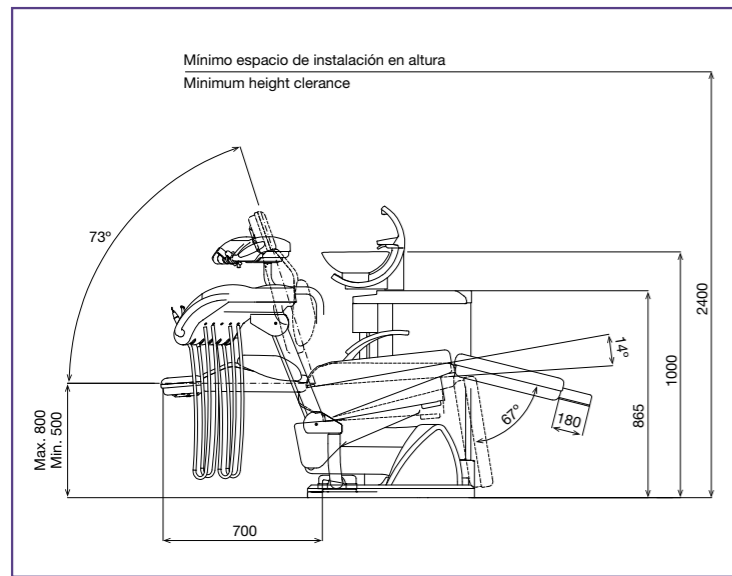
The parameters of the micromotor (speed, torque, light, direction of rotation, etc.), as well as the functions of the scaler, can be also displayed in the touch panel in those versions where this option is available.



Dental unit electra^{ambi}

Measures of the dental unit

The measurements indicated on the drawing will help you place your equipment in your surgery.



Upholstery

FEDESA provides upholstery on all its dental units that add to the design of its equipment, improving their convenience and comfort.

Low maintenance flame retardant upholstery without seams, washable and excellent resistance to use.

The extensive catalogue of upholstery colours also comes with viscoelastic upholstery (memory foam).

Textile colour finishes that combine with the dental unit

We have selected a wide range of colours for standard use to integrate with modern facilities.



Options

Illumination lamp

All FEDESA dental units include lighting equipment that can be changed as an option.

EDI Lamp (25,000 lux halogen lamp). **MAIA** Lamp (35,000 lux LED lamp). **ALYA** Lamp (50,000 lux LED lamp).



Monitor

Slim, lightweight, with a 17" screen and adaptable to the various positions required for use by the doctor and patient.



Intraoral camera

High-resolution camera that can be added to the main tray and to the auxiliary tray. Small and very light, touch activation and detachable.



Control pedals

There are two types: pneumatic pedals with instrument rpm control, water and chip blower selector, and a multifunction pedal for instrument control and to adjust the chair.



Mobile units

There are various ranges of mobile units: **Premium**, **Lux** and **Eco**. The Premium range features an induction micromotor integrated into the control panel. The Lux range has an electric brush micromotor and the Eco range features pneumatic instrumentation.



Stools

FEDESA has three types of stools (the **Astral**, **Pony** and **Sory** models) available with or without backrests and with a footrest ring. Surround lumbar support. They are manufactured in stainless steel and feature a five-wheel base, as well as gas piston height adjustment.

A wide range of colours and textures in the upholstery catalogue.





Manufacturing dental units since 1970

From the origins of **FEDESA** back in the 1970s and right up to the present day, we have dedicated our efforts to meet the needs of dentists. We are experts in designing, manufacturing, and marketing dental units. Our extensive catalogue of solutions caters for all the needs of today's dentists.

Our products meet all national and international regulations and certifications that ensure the quality of all our products. A wide network of agents approved by our brand for the domestic market, as in the rest of the world, collaborate with us to offer the best customer service.

Distributed by:

ICONA

DESIGNED WITH YOU IN MIND

Trade Central Business Park
Unit 12/37 Keilor Park Drive
Keilor Park Vic 3042

Ph: 1300 442 662
sales@icona.net.au
www.icona.net.au



Fedesa

NUEVA FEDESA, S.A.

Avda. Madrid, nº 45. 28500 Arganda del Rey (Madrid) España
Tel.: 34 - 91 871 23 83. Fax: 34 - 91 871 64 88
fedesa@fedesa.com - www.fedesa.com

FEDESA reserves the right to make any changes for the benefit
of the product
XXXXXX-1I. (1000 E.J. 20-03-019)
Design: De Ledesma. Printing: Gráficas Aries. Legal Deposit: M-XXXXXXX