



Electric Height Adjustable Desk

KASITSTNSKA

Quick Start Guide

Please read all instructions before building and using this product.
Retain a copy of this manual for future reference.

Safety Precautions

Read all instructions before using this desk. Basic precautions should always be followed. It is the responsibility of the owner to ensure that all users of the desk are adequately informed of all warnings and precautions.



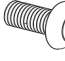
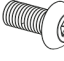
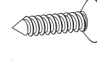
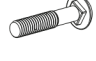

1. Power Input: AC 220-240V, 50Hz
2. Optimal Ambient Operating Temperature: 0-40°C
3. Unplug the power before cleaning. Wipe the dust from the surface of the desk with a slightly wet cloth when cleaning. Be careful to not let drops of water into any internal parts.
4. The electric box contains electronic components, metals, plastics, wires etc... so make sure you dispose of it in accordance to your local municipality guidelines for the disposal of electrical goods. Do not dispose of it with general household waste.
5. Check assembly before use.
6. Be familiar with all functions and program settings of the unit before first use.
7. Children should not be allowed to use the desk controls or play with the unit. Kogan.com accepts no responsibility for damage caused by misuse of this unit.
8. During use, there will be some noise created by the belt and pulley system as well as the brake system. This is completely normal.
9. Corrosive or abrasive cleaning materials should not be used on this unit.
10. This appliance is not designed for use by children or persons with reduced physical, sensory or mental capabilities, or lack of experience and knowledge if they have been given supervision or instructions regarding the use of this product.
11. Please dispose of packaging materials in a safe manner. Do not leave plastic bags around children and infants.
12. If possible, keep the original packaging for any future transporting requirements.

Technical Data

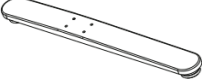

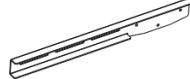


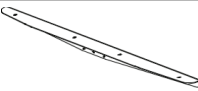
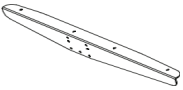
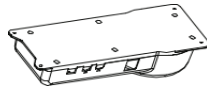



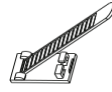
Column number	2
Maximum capacity	100kg
Loading speed	22mm/s
Input voltage	220-240V
Lowest position	750mm
Highest position	1230mm
Colour	Legs: White Body: Wooden Oak
Desktop size	1400 x 700 x 25mm
Use frequency	10% (continuous use for 2 mins, pause for 18 minutes)
Operating temperature	0 - 40°C
Certification standard	CE FCC RCM

Accessory Package List

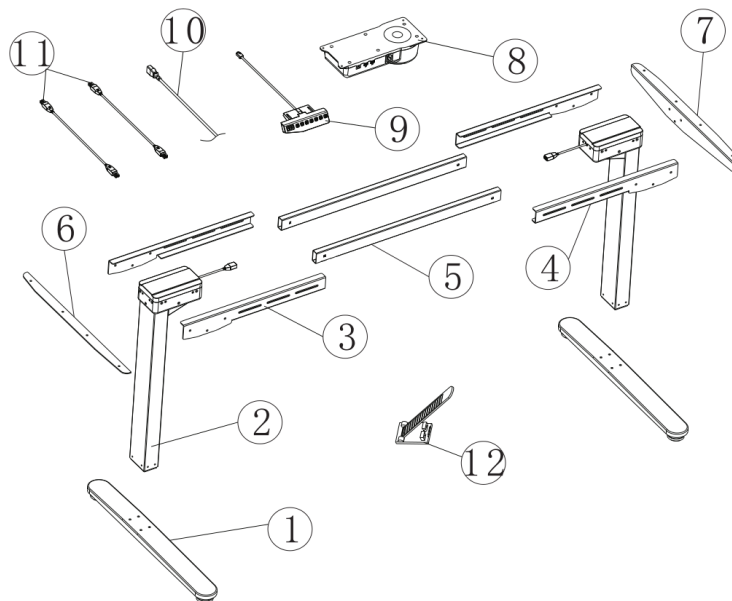
Note: the drawings below are for reference only. If there are any missing parts or tools, please contact the Kogan.com customer support team prior to commencing work.

A	B	C	D	E	F
 x1  4x4	 x8 M6x16mm	 x18 M6x10mm	 x14 St4.2x20mm	 x4 M6x30mm	 x4

Parts List

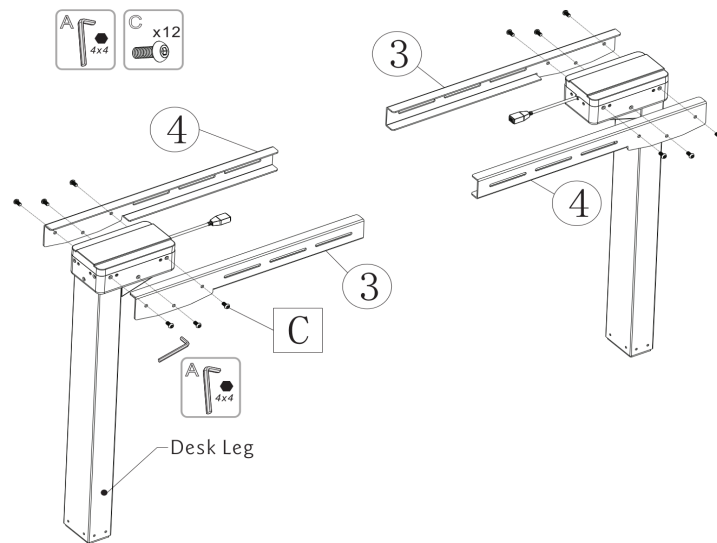
ID	Part	QTY	ID	Part	QTY	ID	Part	QTY
1		2	2		2	3		2
4		2	5		2	6		1
7		1	8		1	9		1
10		1	11		2	12		6

Product Layout



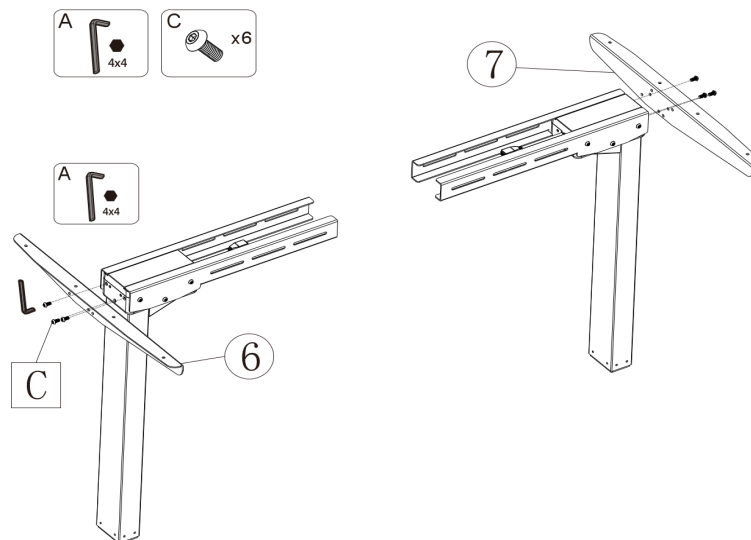
Assembly Step 1

Use 12 x Hexagon socket button head screws (C) to install the Link Arm (3) and (4) to the two desk legs, then use the 4x4 wrench (A) to fasten.



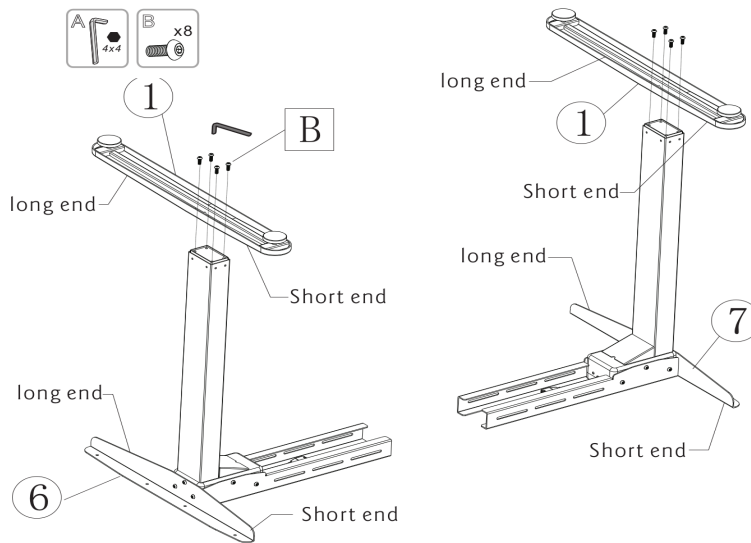
Assembly Step 2

Use 3 x Hexagon socket button head screws (C) to install the Support Plate (6) to the Leg Module, and use the 4x4 wrench (A) to fasten. Then similarly, use 3 x Hexagon socket button head screws (C) to install the other Support Plate (7) to the other Leg Module, and use the 4x4 wrench (A) to fasten.



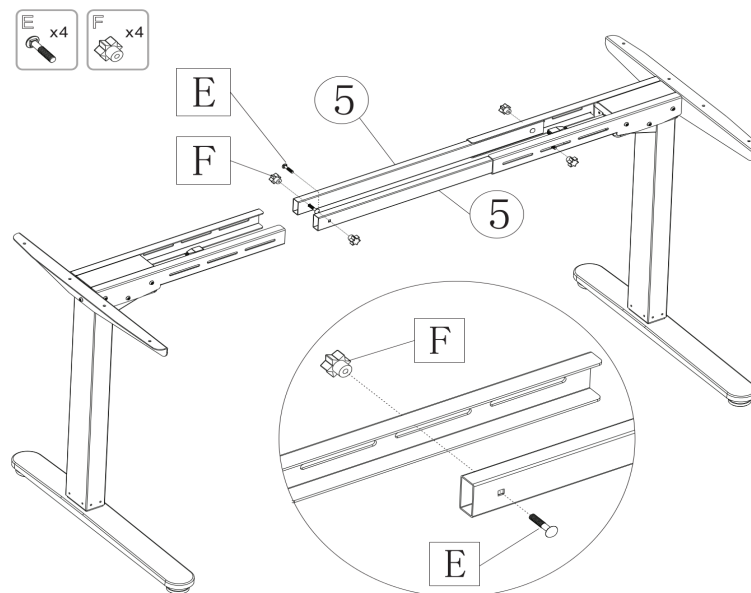
Assembly Step Three

Install 2 x Table Bases (1) to the Table Legs with 8 x hexagon socket button head screws (B), then lock them using the 4x4 wrench (A) as shown below. Ensure that the direction of the Table Bases (1) and mounting plates (6) and (7) are on the correct sides.



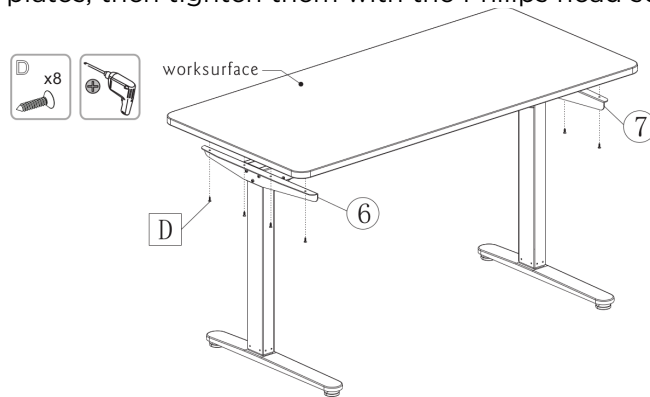
Assembly Step Four

Use 2 x Connecting Rods (5) to connect the Arms (3) and (4) using the four step bolts (E). Lock them using the 4 x Knobs (F). Please select the correct installation holes according to the table top size.



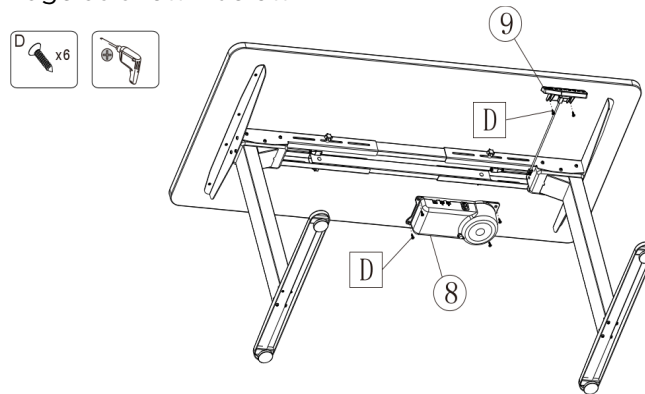
Assembly Step Five

Use 8 x Cross Recessed Countersunk Head Screws (D) to install the work surface with the right (6) and left (7) support plates, then tighten them with the Philips head screwdriver.



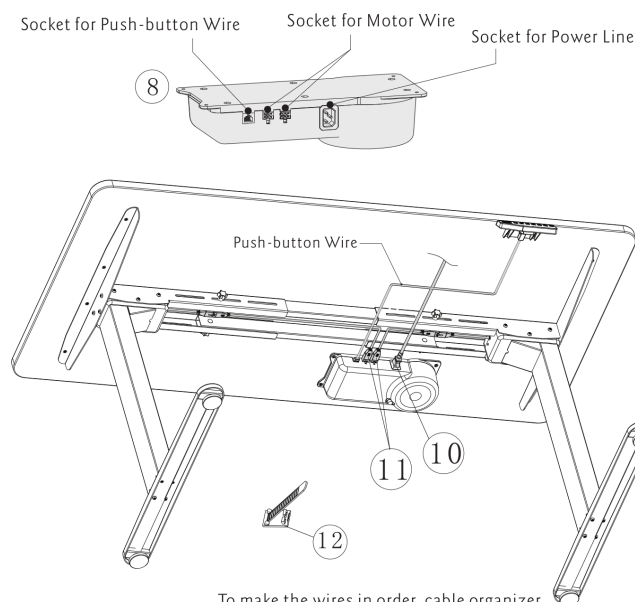
Assembly Step Six

Use 6 x Cross Recessed Countersunk Head Screws (D) to install the Control Box (8) and button (9) with the work surface. Tighten with the Philips head screwdriver. Pay attention to the direction of the control box and button, as well as the connection range. It should resemble the image as shown below.



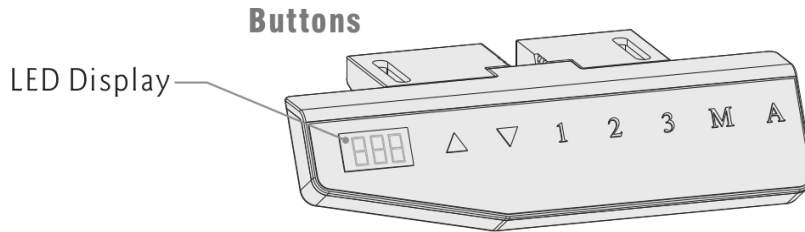
Assembly Step Seven

Connect the button cable (9), power cable (10) and motor wire (11) to the corresponding sockets in the control box (8), as shown below.



To make the wires in order, cable organizer (12) can be used to attach the wires to the desktop surface.

Control Panel Instructions



●	“▲”	adjust the desk upwards
●	“▼”	adjust the desk downwards
●	“1”	first height position saved by user
●	“2”	second height position saved by user
●	“3”	third height position saved by user
●	“M”	Save, save height position
●	“A”	Long time sitting remind button, remind of long time sitting

- When first powered up after setting it up, the LED display will show “85f”. Press ▼ and hold until the desk goes down to it's lowest position and shows “75.0”, meaning the current desk height is 75cm. The unit has now been correctly set up.
- Once set up, use ▲ and ▼ to adjust the desk. The display will show the height, with the height range being 75cm - 123cm.
- Save:
 - a) Press ▲ or ▼ to move the desk to your desired height, for example “80.0”.
 - b) Press “M”, and the display will show “S-”. Press “1” to save the height 80.0cm to save position 1. The display will show “S-1”.
 - c) Repeat steps a and b, saving 100cm to save position 2, and 120cm to save position 3. The display will show “S-2” and “S-3” respectively.
 - d) Press 1, 2 or 3 to adjust the desk to the saved heights.
- Inactivity Reminder: The desk can remind you when you have been sitting inactive for a long time and you should get up and stretch your legs/back.
 - a) Press “A” to turn the reminder on. The display will show “On”.
 - b) After 2 seconds, the 45 minute countdown will start. The display will show “45” and countdown. Once it displays “00” there will be 30 seconds of beeping.
 - c) Within 10 seconds of the alarm sounding, pressing any button will result in another 45 minute countdown. If no button is pressed, the alarm will go silent and then trigger off again after another 5 minutes. If there is still no button pressed after that, another 45 minute countdown will automatically begin.
 - d) Press and hold “A” for 3 seconds to turn the inactivity reminder off. The display will show “Off”.

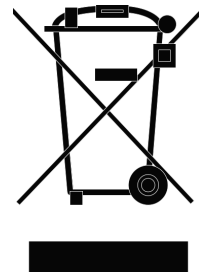
Troubleshooting

The following tips will help you detect and eliminate common faults or errors. If the fault, error or issue you experience is not listed below and you cannot fix it, please contact the Kogan.com customer support team.

Fault	Suggested Solution
No response while holding down the arrow buttons after connecting to the power.	Check the cables are securely connected.
	Check the power socket is switched on.
Rising is slow, and the unit is making odd sounds.	Check for overload. Max load is 100kg.
	Contact Kogan.com customer support team.
Motor will not move the unit at all.	Contact Kogan.com customer support team.
Unit will go down, but not go up.	Unplug unit from the power supply. Wait 5 seconds, then power it up again.
	Contact Kogan.com customer support team.
Unit is slowly getting lower during regular use.	Check for overload. Max load is 100kg.
	Contact Kogan.com customer support team.
Overwork (Unit stops working after extended use of the height positioning motor.)	Unplug unit from the power supply and allow 10 minutes to pass, allowing the unit to cool down.
	Contact Kogan.com customer support team.
The unit cannot move the desk level to the pre-set level.	Hold the buttons “M” and “3” at the same time. The unit will BEEP twice, indicating that it has been reset to the factory default settings.
	Contact Kogan.com customer support team.

Disposal

Do not dispose of this product with your regular household waste. Please contact your local waste disposal facility for information regarding the correct method of disposal for electrical appliances.



If you have any further questions or concerns regarding the use of this product, please contact the Kogan.com customer support team.