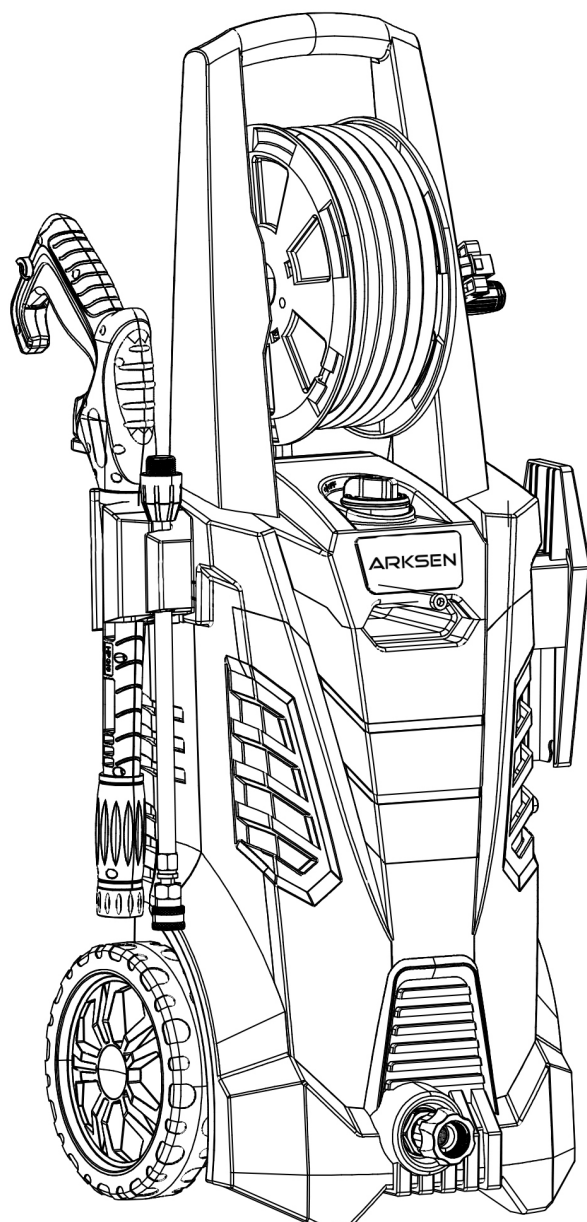


# ARKSEN ELECTRIC PRESSURE WASHER WITH HOSE REEL

3000 PSI | 1.76 GPM | 14.5 AMP

Model# 014-HG-14141-HR  
**OPERATOR'S MANUAL**



Intertek

**CONTACT INFO**  
www.arksenusa.com  
(949) 344-2588

**CAUTION!** Do not use this advice before reading the instructions.

# Contents

<b>Product Description Purpose</b>	<b>03</b>
<b>General Safety</b>	<b>03</b>
Additional Safety Instruction	<b>03</b>
Risk of Electrocution	<b>03</b>
Precautions	<b>03</b>
<b>Identification of Parts</b>	<b>04</b>
Technical Data	<b>04</b>
<b>First time instructions</b>	<b>05</b>
Safety Devices	<b>05</b>
Thermal Sensor	<b>05</b>
<b>Operation instructions</b>	<b>05</b>
Connection of garden hose	<b>05</b>
Mounting of high pressure hose	<b>05</b>
Water connection	<b>05</b>
Start/stop of the machine	<b>05</b>
Install indicator diagram	<b>06</b>
After use instructions	<b>07</b>
<b>Maintenance, cleaner and repair</b>	<b>07</b>
Cleaning of inlet filter	<b>07</b>
Cleaning of air vents	<b>07</b>
<b>Quick Connecting nozzles</b>	<b>07</b>
<b>Troubleshooting</b>	<b>08</b>

# Product Description Purpose

Electric power washer is intended for residential use to clean vehicles, machines, buildings, facades, etc. Keep this appliance away from heat, direct sunlight, moisture and rain, ice and sharp edges.

## General Safety

**⚠️WARNING:** High-pressure washers must not be used by children or untrained persons.

**⚠️WARNING:** Do not point the trigger nozzle at anyone or at any part of the body

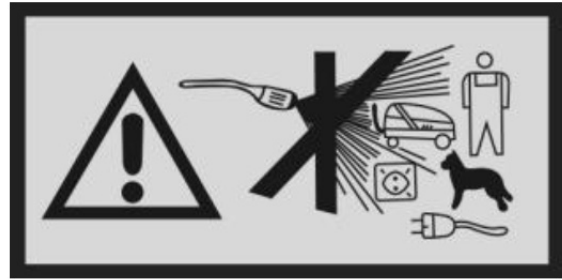
**⚠️WARNING:** The appliance has been designed for use with most cleaning agents

**⚠️WARNING:** Power cords on drums should always be completely unwound to prevent the cord from overheating

- Do not allow anybody that has not been trained to use a pressure washer to operate the machine without first reading the instruction manual.
- Before starting your machine, carefully check for defects. If you find any, do not start your machine and contact Arksen Customer Service.
- Hold the trigger gun firmly in your hands.
- Wear protective gloves and clothing during use
- Read all the instructions before using the product.
- To reduce the risk of injury, close supervision is necessary when a product is used near children.
- Do not operate the product when fatigued or under the influence of medication, alcohol or drugs.
- Keep operating area clear of all persons.
- Do not overreach or stand on unstable support
- Do not abuse the cord. Never use the cord for carrying, pulling or unplugging the pressure washer. Keep cord away from heat, oil, sharp edges or moving parts. Damaged or entangled cords increase the risk of electric shock.
- Keep good footing and balance at all times

## Additional Safety Instruction

- Do not modify or cover the spray wand or the spray nozzles in any way
- Electric power washer is designed to be used with cold or lukewarm water; higher temperatures can damage the pump
- Before servicing, cleaning, or removing any parts, shut off the power & relieve water pressure
- Do not use water that is gritty, dirty, or contains any chemical products, as these could impair operation and shorten the life of the machine
- It is not recommended to use an extension cord with this pressure washer. Using an extension cord may cause a drop in line voltage resulting in loss of power and overheating.



## Risk of Electrocution

- Inspect cord before using
- Do not use if power cord is damaged
- Keep all connection dry & off the ground
- Do not touch plug with wet hands
- Keep cord away from heat and sharp edges
- Do not spray electrical apparatus & wiring

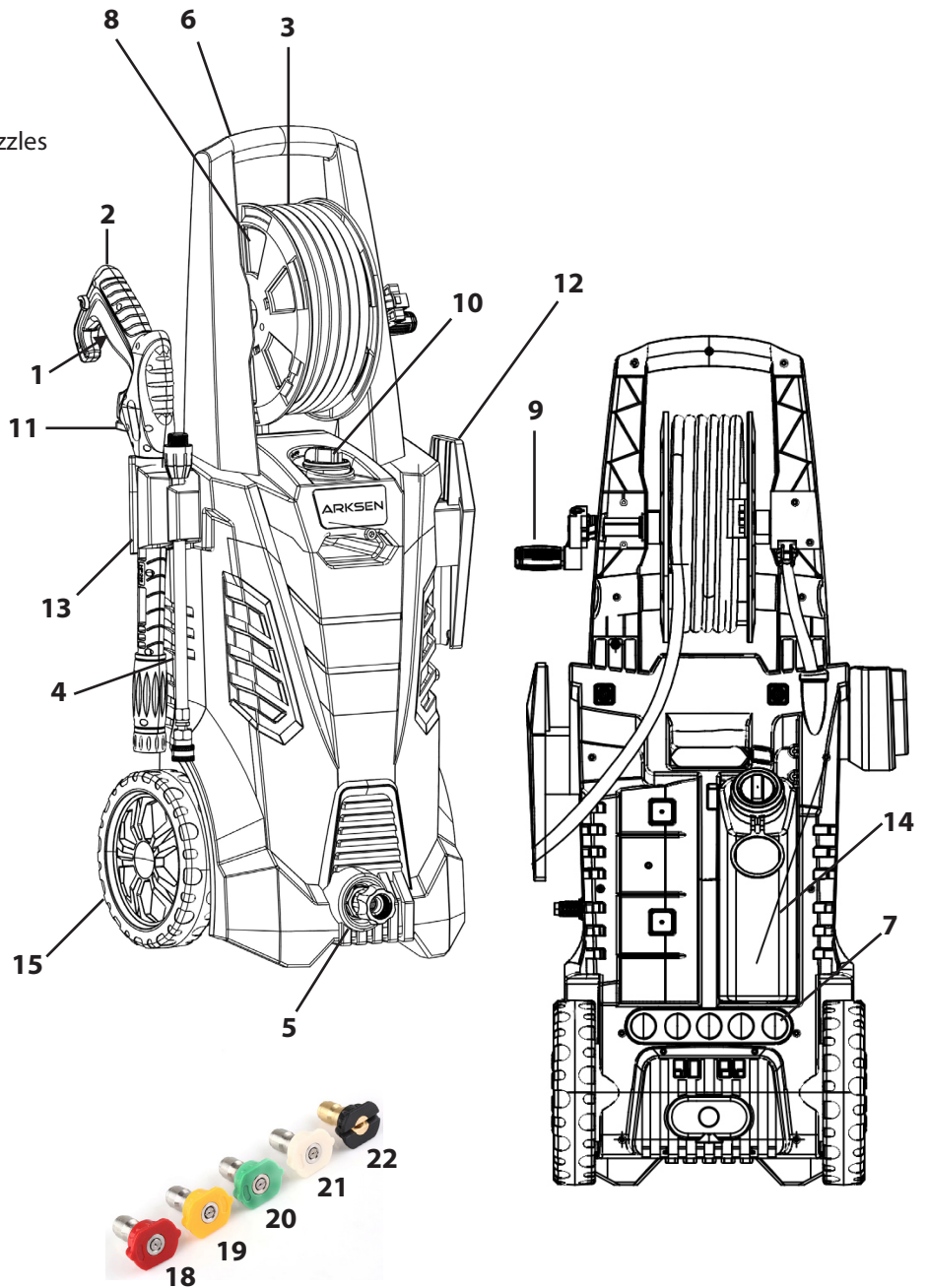
## Precautions

- Work area should have adequate drainage to reduce the possibility of a fall or electric shock due to wet surfaces.
- Wear ANSI-approved safety goggles during set up and use.
- Only feed cold, clean water through this tool. Pressure washer detergent may be used in the soap dispenser only. Do not use caustic materials, solvents, flammable materials, or detergents not designed for pressure washers. Use of any such material can cause injury, or damage this tool or personal property.
- Prior to starting the Pressure Washer in cold weather, check all of the parts of the unit to make sure ice have not formed. Do not store the unit anywhere that the temperature will fall near 32° F (0° C).

# Identification of Parts

Read the owner's manual and safety instructions carefully before operating the electric pressure washer. Compare the illustration below to the electric pressure washer in order to familiarize yourself with the location of the various controls and adjustments. Save this manual for future reference.

1. Trigger
2. Trigger gun
3. High-pressure hose
4. Spray wand
5. Water inlet
6. Transportation handle
7. Onboard storage for Quick-Connect nozzles
8. Hose reel
9. Hand crank
10. On/Off switch
11. High-pressure hose connection
12. Cord holder
13. Trigger gun holder
14. Removable detergent tank
15. Wheels
16. Garden hose adaptor (female coupler)
17. Needle clean out tool
18. 0° Quick-Connect nozzle (Red)
19. 15° Quick-Connect nozzle (yellow)
20. 25° Quick-Connect nozzle (green)
21. 40° Quick-Connect nozzle (white)
22. Soap Quick-Connect nozzle (black)



## Technical Data

Rated Voltage	120 V ~ 60 Hz	Rated Pressure	2200 PSI
Motor	14.5 amp (1800 W)	Max. Pressure	3000 PSI
Max. Water Inlet Temperature	104°F/40°C	Hose Length	20 ft (6 m)
Max. Water Inlet Pressure	0.7 MPa		
Max. Rated Flow	1.76 GPM		

# First time instructions

This section will explain in details how to make high pressure washer ready for use.

## SAFETY DEVICES

The unloader valve can reduce pressure if it exceeds pre-set values.

Locking device on trigger gun (see illustration at the beginning of this manual): The trigger gun features a locking device. When the knob is activated, the trigger gun cannot be operated.



## THERMAL SENSOR

A thermal sensor protects the motor against overloading. The machine will restart after a few minutes when the thermal sensor has cooled.

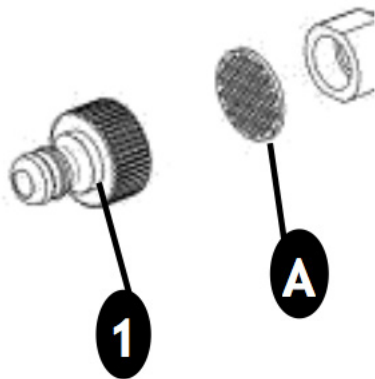
# Operation instructions

## Connection of garden hose

Screw the water inlet coupling (3) tight on to the water inlet  
Note: The inlet filter (A) must always be fitted in the water inlet pipe to filter out sand, lime stone and other impurities as these will damage the pump valves.

Caution: Failure to fit the filter will invalidate the guarantee.

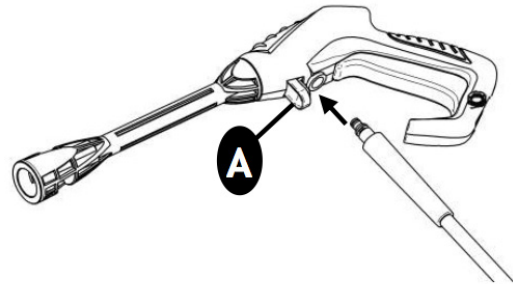
Connect the garden hose with a standard quick coupling



## Mounting of high pressure hose

Attach the high pressure hose to the trigger gun and machine.

Detach the high pressure hose by pressing the pawl (A) or button (B)



## Water connection

Connecting the water supply pipe

Follow your water supplier's instructions . For connection information, see the data plate/technical specifications Use a reinforced hose (not supplied) with a standard connection (ext. diameter: 16mm/int. 12mm, maximum length: 25m).

**IMPORTANT!** Only use water without any impurities. If there is a risk of sand particles in the inlet water (i.e. from your own well), an additional filter should be mounted.

Let the water run through the water hose before connecting it to the machine to prevent sand and dirt from penetrating the machine. Note: Check that the filter is fitted in the water inlet pipe and that it is not clogged up.

Connect the water hose to the water supply by means of the quick connector (inlet water, max. Pressure: 10 bar, max. Temperature: 60°C).

Turn on the water.

## Start/stop of the machine

The trigger gun (1) and lance is affected by a thrust during operation - therefore always hold it firmly with both hands. **IMPORTANT:** Point the nozzle at the ground.

Check that the machine is in upright position. **NOTE:** Do not place the machine in high grass!

Release the trigger lock .

Activate the trigger of the trigger gun (1) and let the water run until all air has escaped from the water hose.

Press the Start/stop switch (7).

Activate the trigger of the trigger gun (1). Always adjust the distance and thus the pressure of the nozzle to the surface, which is to be cleaned.

Do not cover the machine during operation or use it in a room without adequate ventilation!

**NOTE:** If the machine is left or not used for 5 minutes, it must be switched off on the start/stop switch (7) "O":  
Press the start/stop switch (7) "O". Disconnect the electrical plug (12) from the socket.

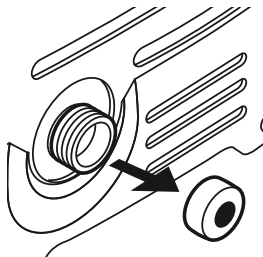
Shut off the water supply and activate the trigger of the trigger gun (1) to relieve the machine of pressure.

Lock the trigger gun (1)

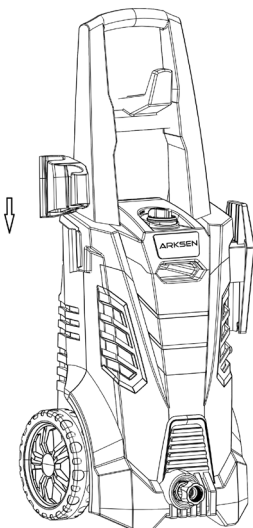
When releasing the trigger of the trigger gun (1), the machine automatically stops. The machine will start again when you re- activate the trigger gun (1)

### Install indicator diagram

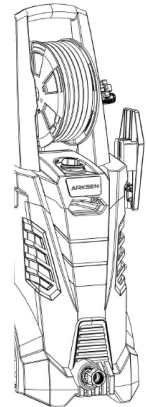
1. Check the Inlet Strainer for any blockage, including packaging debris. Remove any plastic plugs from the water inlet/outlet.



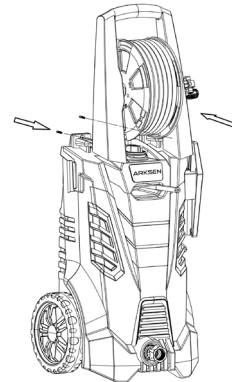
2. Attach the Gun/Extension Nozzle holder to the side of the body.



3 Attach the Cable Holder to the side of the body

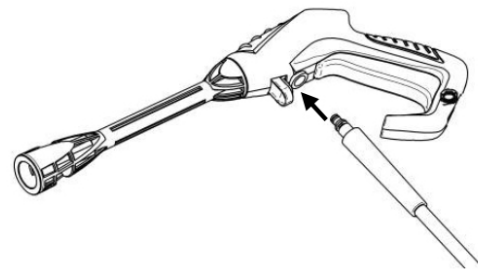


4. Attach the Handle to the front of the body with the two included Screws.



6. Pull the tab at the base of the Spray Gun away from the port. To secure the High Pressure Hose:

- Insert it firmly into the Spray Gun
- Press the tab towards the hose to secure it in place



### After use instructions

The machine should be stored in a frost-free room! Pump, hose and accessories should always be emptied of water prior to storing as follows:  
Stop the machine (press the start/stop switch "O" and detach water hose, high pressure hose and nozzle)  
Restart the machine and activate the trigger of the trigger gun Let the machine run until no more water runs through the trigger gun Stop the machine, unplug and wind up hose and cable.

Place trigger gun, lance, nozzles and other accessories in the holders of the machine. The hook can be used for storage of the hose and cord 5, All accessories can be stored in the washer after using.

**⚠️WARNING:** Never start up a frozen machine. Frost damages are not covered by the guarantee!

### Environmental protection

Old appliances contain valuable materials that can be recycled. Please arrange for the proper recycling of old appliances. Please dispose your old appliances using appropriate collection systems.

### Maintenance, cleaner and repair

**⚠️WARNING!** Always disconnect the electrical plug from the socket prior to maintenance or cleaning.

To ensure a long and problem free working life, please take the following advice: Wash out water hose, high pressure hose, spray lance and accessories before mounting. Clean the connectors of dust and sand. Rinse the detergent spraying attachment after use. Clean the nozzles. Any repair should always be made in an authorized workshop with original spare parts.

### Cleaning of inlet filter

Clean the water inlet filter regularly once a month or more frequently according to use. Carefully loosen the filter with a screwdriver and clean it. Check that it is intact before re-mounting it.

The inlet filter must always be fitted inside the water inlet pipe to filter out sand, limestone and other impurities, as they will damage the pump valves.

CAUTION: Failure to fit the filter will invalidate the warranty

### Cleaning of air vents

The machine should be kept clean so as to let cooling air pass freely through the machine vents.

#### 6.3 Greasing of couplings

To ensure an easy connection and that o-rings do not dry up; the couplings should be greased regularly.

### Quick Connecting nozzles



• The 0° intense-jet nozzle (red) is an extremely powerful nozzle that delivers a high-pressure, pencil point jet stream. It is used to cut heavy dirt deposits in a small, concentrated area. It is ideal for dissolving stubborn substances, like tar and grease spots on concrete, or for removing caked mud from equipment. Use this nozzle to clean hard-to-reach areas including the facades of 2-story buildings or the undersides of lawn mowers and tractors.

NOTE: Care should be used when choosing the right nozzle to avoid permanently gouging wood or damaging fragile surfaces.

- Use the 15° fan-tip nozzle (yellow) for intense cleaning jobs on hard surfaces. Applications include stripping paint, removing oil stains, grease, heavy mildew stains, and rust from steel. This nozzle should only be used in areas that can withstand the high-pressure from this nozzle.
- Use the 25° fan-tip nozzle (green) to clean home siding, brick patios, wood decks, driveways, or sidewalks. When using this nozzle, test a small area first to avoid surface damage.
- Use the 40° wide-spray tip nozzle (white) to clean items such as cars, trucks, boats, patio furniture, or lawn equipment.
- Use the Soap nozzle (black) for low-pressure detergent application to clean equipment, remove mildew and oxidation stains from houses, clean bricks or degrease grimy surfaces.

**NOTE:** When using detergent, make sure that the correct Soap nozzle (black) is installed. All of the other colored nozzles will not work for detergent application. 6. Start at the top of the area to be rinsed and work down, making sure to overlap the strokes.

### ⚠️IMPORTANT! NEVER USE:

- Bleach, chlorine products, and other corrosive chemicals
- Liquids containing solvents (e.g. paint thinners, gasoline, oils)
- Tri-sodium phosphate products

## Troubleshooting

- Disconnect the unit from the electrical power supply before carrying out maintenance on the machine or when checking that its parts are in proper working order.
- To avoid unnecessary hassles, consult the following table before contacting customer service with any mechanical issues.

Problems	Possible Cause	Possible Solution
Machine starts, but no water comes out	<ul style="list-style-type: none"> <li>• Pump/hoses or accessories frozen.</li> <li>• No water supply.</li> <li>• Water inlet filter blocked.</li> <li>• Nozzle blocked.</li> </ul>	<ul style="list-style-type: none"> <li>• Wait for pump/hoses or accessories to thaw.</li> <li>• Connect inlet water.</li> <li>• Clean the water inlet filter.</li> <li>• Clean the nozzle.</li> </ul>
Machine often starts and stops by itself	<ul style="list-style-type: none"> <li>• Pump/spray gun is leaking.</li> <li>• Trigger mechanism is broken.</li> </ul>	<ul style="list-style-type: none"> <li>• Please call Arksen customer service</li> </ul>
Machine pulsating	<ul style="list-style-type: none"> <li>• Air in inlet hose.</li> <li>• Inadequate supply of mains water.</li> <li>• Nozzle partially blocked.</li> <li>• Water filter blocked.</li> <li>• Hose kinked.</li> </ul>	<ul style="list-style-type: none"> <li>• Allow machine to run by holding the trigger until regular working pressure resumes.</li> <li>• Check that the water supply corresponds to the specifications required.</li> <li>• <b>⚠WARNING!</b> Avoid using long, thin hoses (minimum 1/2 in. diameter).</li> <li>• Clean the nozzle.</li> <li>• Clean the water inlet filter.</li> <li>• Straighten out the hose to remove any kinks/blockages</li> </ul>
Fuse blows	<ul style="list-style-type: none"> <li>• Fuse too small.</li> </ul>	<ul style="list-style-type: none"> <li>• Install a fuse with a higher amp rating than the amp consumption of the machine. Try the unit without an extension cord.</li> </ul>
Machine stops	<ul style="list-style-type: none"> <li>• Fuse has blown.</li> <li>• Incorrect mains voltage.</li> <li>• Thermal sensor activated.</li> <li>• Nozzle partially blocked.</li> </ul>	<ul style="list-style-type: none"> <li>• Replace fuse. Switch off other machines using the same circuit.</li> <li>• Check that the mains voltage corresponds to specification on the model tag.</li> <li>• Leave the washer for 5 minutes to cool down.</li> <li>• Clean the nozzle.</li> </ul>
Fluctuating pressure	<ul style="list-style-type: none"> <li>• Pump sucking air.</li> <li>• Valves dirty, worn out, or stuck.</li> <li>• Pump seals worn out.</li> </ul>	<ul style="list-style-type: none"> <li>• Check the hoses and connections are airtight.</li> <li>• Clean or replace valves/seals.</li> <li>• Please call the Arksen customer</li> </ul>
Machine refuses to start	<ul style="list-style-type: none"> <li>• Power failure/machine not plugged into a working receptacle.</li> <li>• Defective socket.</li> <li>• Fuse has blown.</li> <li>• Defective extension cord</li> </ul>	<ul style="list-style-type: none"> <li>• Check to make sure machine is plugged into a working outlet.</li> <li>• Check the power cord and reset the GFCI. Try a different outlet.</li> <li>• Replace fuse. Switch off any other machines that are using the same circuit.</li> <li>• Try the unit without an extension cord.</li> </ul>