



Contents

1	Introduction	5
1.1	General Information for the users	5
1.2	Manufacturer Warranty	5
1.3	Explosion Proof Warning (Only for explosion proof type positioners)	6
2	Product Description	7
2.1	General	7
2.2	Main Features and Functions	7
2.3	Label Description	8
2.4	Product Code	16
2.4.1	YT-1000 Linear series follows suffix symbols as follows	16
2.4.2	YT-1000 Rotary series follows suffix symbols as follows	17
2.4.3	YT-1050 series follows suffix symbols as follows	20
2.5	Product Specification	22
2.5.1	Positioner Specification	22
2.5.2	Specification of SPTM(Smart Position Transmitter) option	23
2.5.3	Specification of Internal L/S(Limit Switch) option	23
2.5.4	Specification of External L/S option	24
2.6	Certifications	26
2.6.1	YT-1000 & YT-1050	26
2.6.2	YT-1000	27
2.6.3	YT-1050	28
2.6.4	SPTM-6V(External option, Flameproof enclosure)	28
2.6.5	YT-850(External option, Non-explosion)	29
2.6.6	YT-870(External option, Flameproof enclosure)	29
2.7	Parts and Assembly	31
2.7.1	YT-1000L	31
2.7.2	YT-1050L	31
2.7.3	YT-1000R	32
2.7.4	YT-1000R + SPTM (Internal)	32
2.7.5	YT-1000R + Limits Switch (Internal)	33
2.7.6	YT-1000R + SPTM (External)	34
2.7.7	YT-1000R + Limit Switch (External)	34
2.8	Product Dimension	35
2.8.1	YT-1000L (Flameproof enclosure)	35
2.8.2	YT-1000L (Non-explosion proof type or Intrinsic safety)	35
2.8.3	YT-1000L (Internal SPTM without LCD)	36
2.8.4	YT-1000R (Fork Lever type + Explosion proof construction for internal pressure)	36
2.8.5	YT-1000R (Namur type)	37
2.8.6	YT-1000R (Dome indicator)	37

2.8.7	YT-1000R (Internal SPTM without LCD)	38
2.8.8	YT-1000R (Internal SPTM with LCD)	38
2.8.9	YT-1000R (Internal Limit Switch or Limit Switch + SPTM)	39
2.8.10	YT-1000R (External SPTM with LCD)	40
2.8.11	YT-1000R (External Limit Switch).....	41
2.8.12	YT-1050L (Explosion proof construction for internal pressure type)	42
2.8.13	YT-1050R (Fork Lever type + Explosion proof construction for internal pressure)	42
3	principle of positioner movement	43
3.1	Linear Positioner	43
3.2	Rotary Positioner	44
4	Installation	45
4.1	Safety	45
4.2	Tools for installation	45
4.3	Linear positioner Installation	46
4.3.1	Preparing Bracket for the positioner	46
4.3.2	Installation Steps	47
4.4	Rotary positioner Installation	50
4.4.1	Components.....	50
4.4.2	Rotary Bracket Information	51
4.4.3	Rotary positioner Installation Steps	52
5	Connection - Air	54
5.1	Safety	54
5.2	Supply Pressure Condition	54
5.3	Piping Condition.....	54
5.4	Connection – Piping with actuator	55
5.4.1	Single acting actuator	55
5.4.2	Double acting actuator	57
6	Connection – Power	59
6.1	General	59
6.2	Flameproof enclosure type	59
6.2.1	Safety	59
6.2.2	Connection.....	60
6.3	Intrinsic safety type	61
6.3.1	Connection.....	61
6.4	Internal SPTM (Without LCD)	62
6.4.1	Slide Switch	62
6.4.2	Buttons.....	63
6.5	Internal SPTM (With LCD)	64
6.6	Internal L/S + SPTM (Without LCD)	65
7	Adjustments	66

7.1	Ra or Da Setting	66
7.1.1	Linear Positioner	66
7.1.2	Rotary positioner	67
7.2	Adjustment - Zero Point	68
7.3	Adjustment - Span	69
7.4	Adjustment – L/S (Limit Switch, Internal, Option)	69
7.5	Adjustment – A/M switch (Auto/Manual)	70
7.6	Orifice Installment	71
7.7	Reset – Potentiometer	71
7.8	Span spring for split range Replacement	73
8	Maintenance	74
8.1	Pilot valve	74
8.2	Seals	74
9	Troubleshooting	75

1 Introduction

1.1 General Information for the users

Thank you for purchasing Rotork YTC Limited products. Each product has been fully inspected after its production to offer you the highest quality and reliable performance. Please read the product manual carefully prior to installing and commissioning the product.

- Installation, commissioning, and maintenance of the product may only be performed by trained specialist personnel who have been authorized by the plant operator accordingly.
- The manual should be provided to the end-user.
- The manual can be altered or revised without any prior notice. Any changes in product's specification, design, and/or any components may not be printed immediately but until the following revision of the manual.
- When the manual refers to "**Valve Zero / Zero**" means the final valve position upon pneumatic pressure has been fully exhausted from positioner's OUT1 port. For example, the valve zero position may differ between linear direct and reverse actions. (DA/RA)
- The manual should not be duplicated or reproduced for any purpose without prior approval from Rotork YTC Limited, Gimpo-si, South Korea.
- In case of any other problems that are not stated in this manual, please make immediate contact to Rotork YTC Limited.
- Positioner is an accessory of the control valve, so please make sure to read the applicable instruction manual of the control valve prior to installation and operation.

1.2 Manufacturer Warranty

- For the safety, it is important to follow the instructions in the manual. Manufacturer will not be responsible for any damages caused by user's negligence.
- Any modifications or repairs to the product may only be performed if expressed in this manual. Injuries and physical damages caused by customer's modifying or repairing the product without a prior consultation with Rotork YTC Limited will not be compensated. If any alterations or modifications are necessary, please contact Rotork YTC Limited directly.
- The warranty period of the product is (18) months from the date of shipment unless stated otherwise. Date of shipment can be checked by providing the LOT NO. or SERIAL NO. to us.
- Manufacturer warranty will not cover products that have been subjected to abuse, accidents, alterations, modifications, tampering, negligence, misuse, faulty installation, lack of reasonable care, repair or service in any way that is not contemplated in the documentation for the product, or if the model or serial number has been altered, tampered with, defaced or removed; damages that occurs in shipment, due to act of God, failure due to power surge, or cosmetic damage. Improper or incorrectly performed maintenance will void this limited warranty.
- For detailed warranty information, please contact the corresponding local Rotork YTC Limited office or main office in South Korea.

1.3 Explosion Proof Warning (Only for explosion proof type positioners)

Please ensure the unit is being used and installed in conformity with local, regional, and national explosion proof environment.

- Refer to “2.6 Certifications”
- Explosion proof type of cables and gaskets should be used, when explosion gases are present at the installation site.
- Power should be turned off completely when opening product’s cover. When opening the cover, ensure that there is no power remaining in any electrical parts nearby.
- Flameproof enclosure type positioner has 2 ports for power connection. Explosion proof type wires and packing should be used. Blind plug is required when any port is not being used.
- Ring terminal with surface area of more than 1.25 mm² with M4 spring washer should be used to connect the power.
- For external ground terminal, ring terminal with surface area of more than 5.5 mm² should be used.
- There is risk of explosion due to static electricity charge. Static electricity charge may develop when cleaning the product with a dry cloth. It is imperative to avoid static electricity charge in the hazardous environment. If cleaning the surface of the product is needed, must use wet clothes.
- To meet explosion-proof marking information and ingress protection of IP66, use certified Ex-cable glands and Ex-plugs.
- If you need additional information about the values of the flameproof joints, contact Rotork YTC Limited directly.



2 Product Description

2.1 General

YT-1000 / 1050 series Electro-Pneumatic Positioner accurately controls valve stroke in response to an input signal of 4 ~ 20 mA from the controller.

2.2 Main Features and Functions

- It is compatible with most of controllers.
- Response time is very fast and accurate.
- Split range 4 ~ 12 mA or 12 ~ 20 mA can be set by simple operating. (Inform us when ordering as the parts are different.)
- Low air consumption.
- Simple Direct / Reverse Action change.
- Simple Zero & Span adjustment.
- Position transmitter or limit switch is available as internal or external option on the positioner. However, positioner is non-explosion type when internal option has been selected. In case of external option, both the positioner and the external products can be selected with explosion-proof certified products.
- Orifices can be installed even in the field to minimize the hunting occurrence and optimize operating conditions.
- A/M switch can be used to direct supply air to the actuator or to manually operate the positioner or valve without any signal.
- It has IP66, Type 4X (FM) ingress protection grade.
- Polyester powder coating resists the corrosion process. (except YT-1050).
- Maintenance of the positioner is easy because of modularized inner structure.

2.3 Label Description

- MODEL : Indicates the model number and additional symbols.
- EXPLOSION PROOF : Indicates certified explosion proof grade.
- INGRESS PROTECTION : Indicates enclosure protection grade.
- INPUT SIGNAL: Indicates input signal range.
- OPERATING TEMP. : Indicates the allowable operating temperature.
- AMBIENT TEMP. : Indicates the allowable ambient temperature for explosion proof.
- SUPPLY PRESSURE : Indicates the supply pressure range.
- SERIAL NUMBER : Indicates unique serial number.
- MONTH.YEAR : Indicates manufactured month and year.

YT-1000

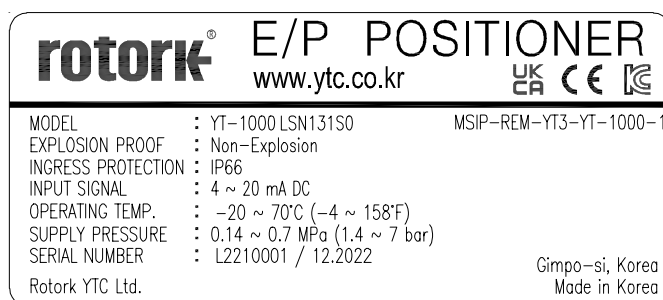


Fig. L-1: YT-1000 Non-explosion
(Explosion proof code **N** of 2.4.1 & 2.4.2 Product Code)

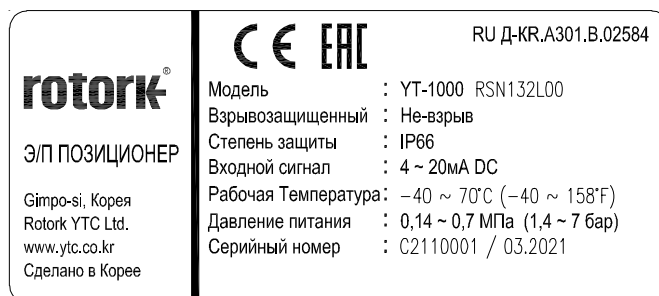


Fig. L-2: YT-1000 Non-explosion (EAC)
(Explosion proof code **N** of 2.4.1 & 2.4.2 Product Code)

rotork® E/P POSITIONER		UK CA 2503	CE 2004	Ex II 2 G	TS	NEPSI
MODEL	: YT-1000LSM131S0	UKEK	: CML 21UKEK1820X			
EXPLOSION PROOF	: Ex db mb IIB T5 Gb	ATEX	: EPS 16 ATEX 1 141 X			
INGRESS PROTECTION	: IP66	IECEx	: IECEx EPS 16.0059X			
INPUT SIGNAL	: 4 ~ 20mA DC (External Fuse ≤ 62mA)	TS	: 2016 07-00218X			
AMBIENT TEMP.	: -20 ~ 60°C (-4 ~ 140°F)	NEPSI	: GYJ20.1517X			
SUPPLY PRESSURE	: 0.14 ~ 0.7 MPa (1.4 ~ 7 bar)	PESO	: P544047/1			
SERIAL NUMBER	: L2210001 / 12.2022	www.ytc.co.kr				
Rotork YTC Ltd.		Gimpo-si, Korea		Made in Korea		

Warning
Install the fuse of a rated short current less than 62mA to the control side.
Ex d IIB T5
Rotork YTC Ltd.

Fig. L-3: YT-1000 Ex db mb IIB T5 Gb (UKEK, ATEX, IECEx, TS, NEPSI, PESO)
(Explosion proof code **M** of 2.4.1 & 2.4.2 Product Code)

rotork® E/P POSITIONER		www.ytc.co.kr	CE	CS	CS
MODEL	: YT-1000 RSM132H00	10-KB2B0-0028			
EXPLOSION PROOF	: Ex dmb IIB T4	MSIP-REM-YT3-YT-1000-1			
INGRESS PROTECTION	: IP66				
INPUT SIGNAL	: 4 ~ 20mA DC (External Fuse ≤ 50mA)				
AMBIENT TEMP.	: -20 ~ 120°C (-4 ~ 248°F)				
SUPPLY PRESSURE	: 0.14 ~ 0.7 MPa (1.4 ~ 7 bar)				
SERIAL NUMBER	: L2110001 / 12.2021	Gimpo-si, Korea			
Rotork YTC Ltd.		Made in Korea			

Warning
Install the fuse of a rated short current less than 50mA to the control side.
Do not open when an explosive atmosphere may be present.
Ex db mb IIB T4 Gb
Rotork YTC Ltd.

or

rotork® E/P POSITIONER		www.ytc.co.kr	CE	CS	CS
MODEL	: YT-1000 RSM132S00	10-KB2B0-0028			
EXPLOSION PROOF	: Ex dmb IIB T5	MSIP-REM-YT3-YT-1000-1			
INGRESS PROTECTION	: IP66				
INPUT SIGNAL	: 4 ~ 20mA DC (External Fuse ≤ 50mA)				
AMBIENT TEMP.	: -20 ~ 70°C (-4 ~ 158°F)				
SUPPLY PRESSURE	: 0.14 ~ 0.7 MPa (1.4 ~ 7 bar)				
SERIAL NUMBER	: L2110001 / 12.2021	Gimpo-si, Korea			
Rotork YTC Ltd.		Made in Korea			

Warning
Install the fuse of a rated short current less than 50mA to the control side.
Do not open when an explosive atmosphere may be present.
Ex db mb IIB T5 Gb
Rotork YTC Ltd.

Fig. L-4: YT-1000 Ex dmb IIB T5/T4 (KCs)
(Explosion proof code **M** of 2.4.1 & 2.4.2 Product Code)

rotork® E/P POSITIONER		www.ytc.co.kr		
NÚMERO DO MODELO	: YT-1000 LST131S0			
MARCAÇÃO	: Ex db mb IIB T5 Gb			
SINAL DE ENTRADA	: 4 a 20 mA _{cc} (Fusível Externo ≤ 62mA)			
TEMPERATURA AMBIENTE	: -20°C ≤ Ta ≤ +60°C			
PRESSÃO DE ALIMENTAÇÃO	: 0.14 ~ 0.7 MPa (1.4 ~ 7 bar)			
NÚMERO DE SÉRIE	: L2210001 / 12.2022			
Rotork YTC Ltd.		Gimpo-si, Korea Made in Korea		

ATENÇÃO
INSTALAR O FUSÍVEL COM UMA CORRENTE DE CURTO NOMINAL MENOR QUE 62 mA
NÃO ABRA QUANDO ENERGIZADO

Fig. L-5: YT-1000 Ex db mb IIB T5 Gb (INMETRO)
(Explosion proof code **T** of 2.4.1 & 2.4.2 Product Code)

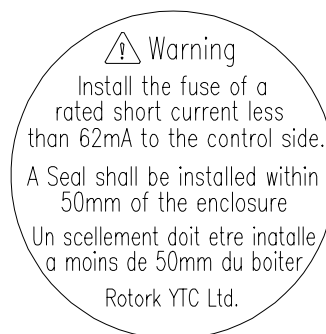
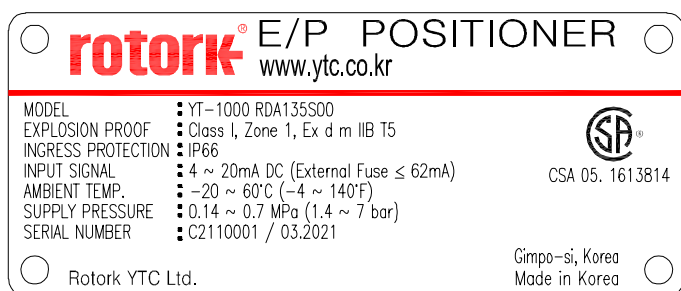


Fig. L-6: YT-1000 Class I, Zone 1, Ex d m IIB T5 (CSA)
(-20 ~ 60 °C, NBR elastomer)
(Explosion proof code **A** of 2.4.1 & 2.4.2 Product Code)

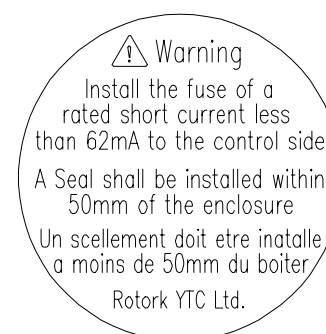
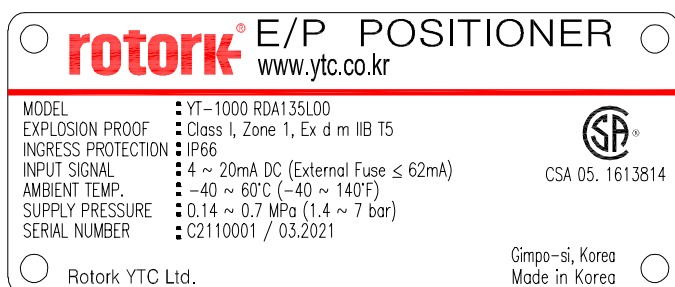


Fig. L-7: YT-1000 Class I, Zone 1, Ex d m IIB T5 (CSA)
(-40 ~ 60 °C, Silicone elastomer)
(Explosion proof code **A** of 2.4.1 & 2.4.2 Product Code)

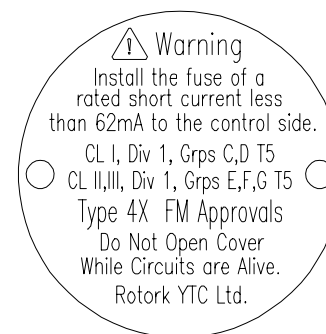
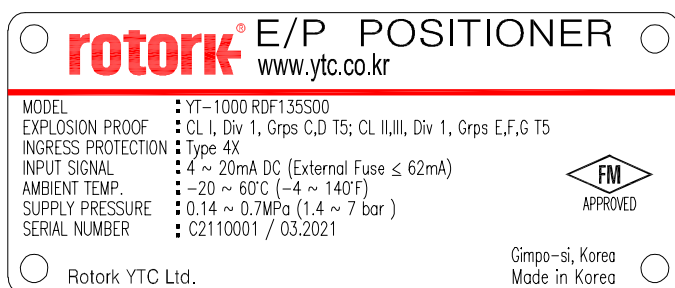





Fig. L-8: YT-1000 CL I, Div 1, Grps C,D T5; CL II, III, Div 1, Grps E,F,G T5; Type 4X (FM)
(Explosion proof code **F** of 2.4.1 & 2.4.2 Product Code)


rotork®		E/P POSITIONER	
www.ytc.co.kr		CE  	
MODEL	: YT-1000 RDC132L00	11-KB2B0-0014	
EXPLOSION PROOF	: Ex dmb IIC T5	MSIP-REM-YT3-YT-1000-1	
INGRESS PROTECTION	: IP66		
INPUT SIGNAL	: 4 ~ 20mA DC (External Fuse ≤ 50mA)		
AMBIENT TEMP.	: -40 ~ 70°C (-40 ~ 158°F)		
SUPPLY PRESSURE	: 0.14 ~ 0.7 MPa (1.4 ~ 7 bar)		
SERIAL NUMBER	: C2110001 / 03.2021		
Rotork YTC Ltd.		Gimpo-si, Korea Made in Korea	

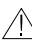
 **Warning**

Install the fuse of a rated short current less than 50mA to the control side.

KCs
Ex d IIC T5
Rotork YTC Ltd.

Fig. L-9: YT-1000 Ex dmb IIC T5 (KCs)
(Explosion proof code **C** of 2.4.1 & 2.4.2 Product Code)

rotork®		E/P POSITIONER	
www.ytc.co.kr		CE 	
MODEL	: YT-1000 RSX132S00	TC21196	
EXPLOSION PROOF	: Ex dmb IIB T5		
INGRESS PROTECTION	: IP66		
INPUT SIGNAL	: 4 ~ 20 mA DC (External Fuse ≤ 50mA)		
AMBIENT TEMP.	: -20 ~ 70°C (-4 ~ 158°F)		
SUPPLY PRESSURE	: 0.14 ~ 0.7 MPa (1.4 ~ 7 bar)		
SERIAL NUMBER	: C2110001 / 03.2021		
Rotork YTC Ltd.		Gimpo-si, Korea Made in Korea	

 **Warning**

Install the fuse of a rated short current less than 50mA to the control side.

TIIS
Ex d IIB T5
Rotork YTC Ltd.

Fig. L-11: YT-1000 Ex dmb IIB T5 (TIIS)
(Explosion proof code **X** of 2.4.1 & 2.4.2 Product Code)

rotork®		Ex EAC		RU C-KR.AM02.B.00043/19
Э/П ПОЗИЦИОНЕР				
Gimpo-si, Korea	Model	: YT-1000 RSE132L00		
Rotork YTC Ltd.	Взрывозащищенный	: 1Ex d mb IIB T5 Gb X		
www.ytc.co.kr	Степень защиты	: IP66		
Сделано в Корее	Входной сигнал	: 4 ~ 20mA DC (Номинальное напряжение: 1 ~ 5V DC / Внешний предохранитель ≤ 62mA)		
	Окр. Темп.	: -40°C to 60°C (-40°F to 140°F)		
	Давление питания	: 0.14 ~ 0.7 МПа (1.4 ~ 7 бар)		
	Серийный номер	: C2110001 / 03.2021		

 **ВНИМАНИЕ**

Открывать, отключив от сети

Уплотнение должно быть установлено в пределах 2 дюймов (50 мм) от оболочки

Установите предохранитель с номинальным током короткого замыкания менее 62mA в цепи управления

Ex d IIB T5
YOUNG TECH CO., LTD.

Fig. L-12: YT-1000 1Ex d mb IIB T5 Gb X (EAC)
(Explosion proof code **E** of 2.4.1 & 2.4.2 Product Code)

rotork® 电气阀门定位器		CCC	Ex	NEPSI	TS
www.ytc.co.kr		2503	CE	2004	Ex II 2 G
型号	: YT-1000LSZ135S0	NEPSI	: GYJ20.1517X		
防爆等级	: Ex d mb IIB T5 Gb / Ex db mb IIB T5 Gb	TS	: 2016 07-00218X		
防护等级	: IP66	UKEX	: CML 21UKEX1820X		
输入信号	: 4 ~ 20mA DC (外部保险丝 ≤ 62mA)	ATEX	: EPS 16 ATEX 1 141 X		
防爆环境温度	: -20 ~ 60°C (-4 ~ 140°F)	IECEX	: IECEX EPS 16.0059X		
供给压力	: 0.14 ~ 0.7 MPa (1.4 ~ 7 bar)				
序列号	: L2210001 / 12.2022	金浦市, 韩国			
Rotork YTC Ltd.		韩国制造			

警告

在控制侧安装额定
短路电流小于62mA
的保险丝。

Ex d IIB T5
Rotork YTC Ltd.

Fig. L-13 : YT-1000 Ex d mb IIB T5 Gb (CCC)
(Explosion proof code **Z** of 2.4.1 & 2.4.2 Product Code)

rotork® 电气阀门定位器		Ex	NEPSI	CCC
www.ytc.co.kr				
型号	: YT-1000 RSB132S00	NEPSI	: GYJ20.1517X	
防爆等级	: Ex d mb IIC T6 Gb			
防护等级	: IP66			
输入信号	: 4 ~ 20mA DC (外部保险丝 ≤ 50mA)			
防爆环境温度	: -20 ~ 60°C (-4 ~ 140°F)			
供给压力	: 0.14 ~ 0.7 MPa (1.4 ~ 7 bar)			
序列号	: C2110001 / 03.2021	金浦市, 韩国		
Rotork YTC Ltd.		韩国制造		

警告

在控制侧安装额定
短路电流小于50mA
的保险丝。

Ex d IIC T6
Rotork YTC Ltd.

Fig. L-14 : YT-1000 Ex d mb IIC T6 Gb (CCC)
(Explosion proof code **B** of 2.4.1 & 2.4.2 Product Code)

rotork® 电气阀门定位器		Ex	NEPSI	CCC
www.ytc.co.kr				
型号	: YT-1000 RSG132S00			
防爆等级	: Ex ia IIC T6 Ga; Ui=28V, li=93mA, Pi=0.66W, Ci=0, Li=0			
防护等级	: IP66			
输入信号	: 4 ~ 20mA DC (外部保险丝 ≤ 50mA)	NEPSI	: GYJ20.1517X	
防爆环境温度	: -20 ~ 60°C (-4 ~ 140°F)			
供给压力	: 0.14 ~ 0.7 MPa (1.4 ~ 7 bar)			
序列号	: D2110001 / 04.2021	金浦市, 韩国		
Rotork YTC Ltd.		韩国制造		

Fig. L-15 : YT-1000 Ex ia IIC T6 Ga (CCC)
(Explosion proof code **G** of 2.4.1 & 2.4.2 Product Code)

rotork® E/P POSITIONER		CE	2004	Ex	II 2 G	KCs	PES
www.ytc.co.kr							
MODEL	: YT-1000 RS1132S00						
EXPLOSION PROOF	: Ex ia IIC T6 Gb; Ui=28V, li=93mA, Pi=0.65W, Ci=0μF, Li=0mH						
INGRESS PROTECTION	: IP66						
INPUT SIGNAL	: 4 ~ 20mA DC (External Fuse ≤ 50mA)	ATEX	: EPS 16 ATEX 1 141 X				
AMBIENT TEMP.	: -20 ~ 60°C (-4 ~ 140°F)	IECEX	: IECEX EPS 16.0059X				
SUPPLY PRESSURE	: 0.14 ~ 0.7 MPa (1.4 ~ 7 bar)	KCs : 11-KB2B0-0001					
SERIAL NUMBER	: L2210001 / 12.2022	EMC : R-R-YT3-YT-1000					
Rotork YTC Ltd.		PESO : P544045/1					
		Gimpo-si, Korea					
		Made in Korea					

Fig. L-16 : YT-1000 Ex ia IIC T6 Gb (ATEX, IECEX, KCs, PESO)
(Explosion proof code **i** of 2.4.1 & 2.4.2 Product Code)

YT-1050

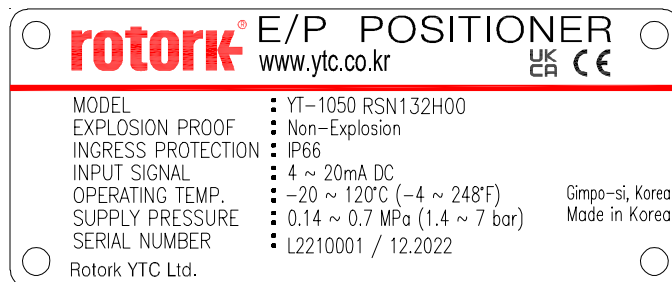


Fig. L-21: YT-1050 Non-explosion
(Explosion proof code **N** of 2.4.3 Product Code)



Fig. L-22: YT-1050 Non-explosion (EAC)
(Explosion proof code **N** of 2.4.3 Product Code)

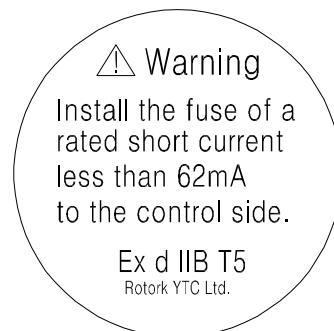
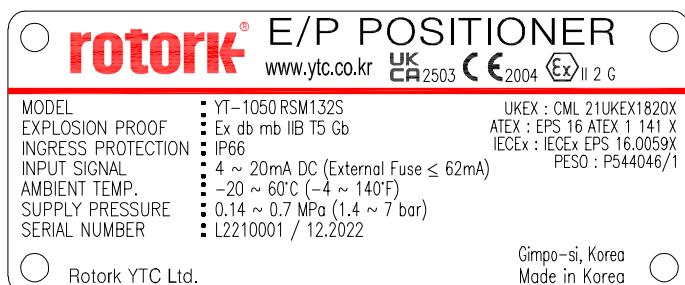


Fig. L-23: YT-1050 Ex db mb IIB T5 Gb (UKEX, ATEX, IECEx, PESO)
(Explosion proof code **M** of 2.4.3 Product Code)

rotork® E/P POSITIONER		www.ytc.co.kr	CE KC
MODEL	YT-1050RSM132S	21-KA2B0-0194X	
EXPLOSION PROOF	Ex db mb IIB T4 Gb		
INGRESS PROTECTION	IP66		
INPUT SIGNAL	4 ~ 20mA DC (External Fuse ≤ 50mA)		
AMBIENT TEMP.	-20°C ~ 120°C (-4°F ~ 248°F)		
SUPPLY PRESSURE	0.14 ~ 0.7 MPa (1.4 ~ 7 bar)		
SERIAL NUMBER	L2110001 / 12.2021		
Rotork YTC Ltd.		Gimpo-si, Korea	Made in Korea

Warning
Install the fuse of a rated short current less than 50mA to the control side.
Do not open when an explosive atmosphere may be present.
Ex db mb IIB T4 Gb
Rotork YTC Ltd.

or

rotork® E/P POSITIONER		www.ytc.co.kr	CE KC
MODEL	YT-1050RSM132S	21-KA2B0-0194X	
EXPLOSION PROOF	Ex db mb IIB T5 Gb		
INGRESS PROTECTION	IP66		
INPUT SIGNAL	4 ~ 20mA DC (External Fuse ≤ 50mA)		
AMBIENT TEMP.	-20°C ~ 70°C (-4°F ~ 158°F)		
SUPPLY PRESSURE	0.14 ~ 0.7 MPa (1.4 ~ 7 bar)		
SERIAL NUMBER	L2110001 / 12.2021		
Rotork YTC Ltd.		Gimpo-si, Korea	Made in Korea

Warning
Install the fuse of a rated short current less than 50mA to the control side.
Do not open when an explosive atmosphere may be present.
Ex db mb IIB T5 Gb
Rotork YTC Ltd.

Fig. L-24: YT-1050 Ex db mb IIB T5/T4 Gb (KCs)
(Explosion proof code **M** of 2.4.3 Product Code)

rotork® E/P POSITIONER		www.ytc.co.kr	
NÚMERO DO MODELO	YT-1050 RST132S00		
MARCAÇÃO	Ex db mb IIB T5 Gb		
SINAL DE ENTRADA	4 a 20 mAcc (Fusível Externo ≤ 62 mA)		
TEMPERATURA AMBIENTE	-20°C ≤ Ta ≤ +60°C		
PRESSÃO DE ALIMENTAÇÃO	0.14 ~ 0.7 MPa (1.4 ~ 7 bar)		
NÚMERO DE SÉRIE	L2210001 / 12.2022		
Rotork YTC Ltd.		Segurança	DNV 17.0069 X
		INMETRO	
		Gimpo-si, Korea	Made in Korea

ATENÇÃO
INSTALAR O FUSÍVEL COM UMA CORRENTE DE CURTO NOMINAL MENOR QUE 62 mA
NÃO ABRA QUANDO ENERGIZADO

Fig. L-25: YT-1050 Ex db mb IIB T5 Gb (INMETRO)
(Explosion proof code **T** of 2.4.3 Product Code)

rotork®		Ex EAC	RU C-KR.AM02.B.00043/19
Э/П ПОЗИЦИОНЕР	Модель	YT-1050 RSE132L00	
Gimpo-si, Korea	Взрывозащищенный	1Ex d mb IIB T5 Gb X	
Rotork YTC Ltd.	Степень защиты	IP66	
www.ytc.co.kr	Входной сигнал	4 ~ 20mA DC (Номинальное напряжение: 1 ~ 5V DC / Внешний предохранитель ≤ 62mA)	
Сделано в Корее	Окр. Темп.	-40°C ~ 60°C (-40°F ~ 140°F)	
	Давление питания	0,14 ~ 0,7 МПа (1,4 ~ 7 бар)	
	Серийный номер	C2110001 / 03.2021	
Rotork YTC Ltd.		Gimpo-si, Korea	
		Made in Korea	

Warning
Install the fuse of a rated short current less than 62mA (KCs: 50mA) to the control side.
Ex d IIB T5
YOUNG TECH CO., Ltd.

Fig. L-26: YT-1050 1Ex d mb IIB T5 Gb X (EAC)
(Explosion proof code **E** of 2.4.3 Product Code)

 电气阀门定位器  	
www.ytc.co.kr   	
型号 防爆等级 防护等级 输入信号 防爆环境温度 供给压力 序列号	YTC-1050 RSZ132S00 Ex d mb IIB T5 Gb / Ex db mb IIB T5 Gb IP66 4 ~ 20mA DC (外部保险丝 ≤ 62mA) -20 ~ 60°C (-4 ~ 140°F) 0.14 ~ 0.7 MPa (1.4 ~ 7 bar) L2210001 / 12.2022
	NEPSI : GYJ20.1517X UKEX : CML 21UKEX1820X ATEX : EPS 16 ATEX 1 141 X IECEx : IECEx EPS 16.0059X
Rotork YTC Ltd.	金浦市, 韩国 韩国制造


警告

在控制侧安装额定
 短路电流小于62mA
 的保险丝。

Ex d IIB T5
 Rotork YTC Ltd.

Fig. L-27: YT-1050 Ex d mb IIB T5 Gb (CCC, NEPSI)
(Explosion proof code **Z** of 2.4.3 Product Code)

2.4 Product Code

2.4.1 YT-1000 Linear series follows suffix symbols as follows.

YT-1000L 1 2 3 4 5 6 7

1	Acting type	S : Single D : Double
2	Explosion Proof ¹⁾	²⁾ N : Non-explosion (Label Fig. L-1, L-2) ³⁾ M : Flameproof enclosure & encapsulation(IIB) : ATEX, IECEx, TS, KCs, NEPSI, UKEX, PESO (Label Fig. L-3, L-4) T : Flameproof enclosure & encapsulation(IIB) : INMETRO (Label Fig. L-5) A : Flameproof enclosure & encapsulation(IIB) : CSA (Label Fig. L-6, L-7) F : Flameproof enclosure & encapsulation : FM (Label Fig. L-8) C : Flameproof enclosure & encapsulation(IIC) : KCs (Label Fig. L-9) X : Flameproof enclosure & encapsulation(IIB) : TIIS (Label Fig. L-11) E : Flameproof enclosure & encapsulation(IIB) : EAC (Label Fig. L-12) ⁴⁾ Z : Flameproof enclosure & encapsulation(IIB) : CCC (Label Fig. L-13) ⁵⁾ B : Flameproof enclosure & encapsulation(IIC) : CCC (Label Fig. L-14) G : Intrinsic safety(IIC) : CCC (Label Fig. L-15) i : Intrinsic safety(IIC) : ATEX, IECEx, KCs, PESO (Label Fig. L-16)
3	Lever Type	1 : 10 ~ 40 mm 2 : 30 ~ 70 mm 3 : 60 ~ 100 mm 4 : 100 ~ 150 mm
4	Orifice Type	1 : Ø1 2 : Ø2 3 : None
5	Conduit – Air Connection Type	1 : G 1/2 – Rc 1/4 (N/A for FM & CSA) 2 : G 1/2 – 1/4 NPT (N/A for FM & CSA) 3 : G 1/2 – G 1/4 (N/A for FM & CSA) 4 : M20x1.5P – 1/4 NPT 5 : 1/2 NPT – 1/4 NPT
6	Operating Temp. (Non-explosion proof) ⁶⁾	S : -20 ~ 70 °C (-4 ~ 158 °F) H : -20 ~ 120 °C (-4 ~ 248 °F) L : -40 ~ 70 °C (-40 ~ 158 °F)

	0 : None
7 Option	7) 2 : + SPTM (Smart Position Transmitter) → Non-explosion
	8) 3 : + SPTM with LCD → Non-explosion

- 1) Explosion proof : M(except KCs), T, F, X, Z, B, G, i are only available for S in **6** Operating Temp..
 Explosion proof : M(KCs only) is only available for S, H in **6** Operating Temp..
 Explosion proof : A, C are only available for S, L in **6** Operating Temp..
 Explosion proof : E is only available for L in **6** Operating Temp..
- 2) In case of EAC non-explosion type, put “EAC” in a purchase order.
 EAC non-explosion type is only available for L in **6** Operating Temp..
- 3) Please put the name of certificate in a purchase order.
- 4) 5) Explosion proof : Z, B are only available for 4, 5 in **5** Conduit – Air Connection Type.
- 6) This option is just the normal operating temperature of the product and is not related to explosion proof temperature. See “2.6 Certificates” for explosion proof temperature.
- 7) 8) These are only available for S, L in **6** Operating Temp..

2.4.2 YT-1000 Rotary series follows suffix symbols as follows.

YT-1000R **1** **2** **3** **4** **5** **6** **7** **8**

1 Acting type	S : Single D : Double
----------------------	--------------------------

2 Explosion Proof ¹⁾	2) N : Non-explosion (Label Fig. L-1, L-2)
	3) M : Flameproof enclosure & encapsulation(IIB) : ATEX, IECEx, TS, KCs, NEPSI, UKEX, PESO (Label Fig. L-3, L-4)
	T : Flameproof enclosure & encapsulation(IIB) : INMETRO (Label Fig. L-5)
	A : Flameproof enclosure & encapsulation(IIB) : CSA (Label Fig. L-6, L-7)
	F : Flameproof enclosure & encapsulation : FM (Label Fig. L-8)
	C : Flameproof enclosure & encapsulation(IIC) : KCs (Label Fig. L-9)
	X : Flameproof enclosure & encapsulation(IIB) : TIIS (Label Fig. L-11)
	E : Flameproof enclosure & encapsulation(IIB) : EAC (Label Fig. L-12)
	4) Z : Flameproof enclosure & encapsulation(IIB) : CCC (Label Fig. L-13)
	5) B : Flameproof enclosure & encapsulation(IIC) : CCC (Label Fig. L-14)
	G : Intrinsic safety(IIC) : CCC (Label Fig. L-15)
	i : Intrinsic safety(IIC) : ATEX, IECEx, KCs, PESO (Label Fig. L-16)

	1 : M6 x 34L
	2 : M6 x 63L
3 Lever Type	3 : M8 x 34L
	4 : M8 x 63L
	5 : Namur
4 Orifice Type	1 : Ø1
	2 : Ø2
	3 : None
5 Conduit – Air Connection Type	1 : G 1/2 – Rc 1/4 (N/A for FM & CSA)
	2 : G 1/2 – 1/4 NPT (N/A for FM & CSA)
	3 : G 1/2 – G 1/4 (N/A for FM & CSA)
	4 : M20x1.5P – 1/4 NPT
	5 : 1/2 NPT – 1/4 NPT
6 Operating Temp. (Non-explosion proof) ⁶⁾	S : -20 ~ 70 °C (-4 ~ 158 °F)
	H : -20 ~ 120 °C (-4 ~ 248 °F)
	L : -40 ~ 70 °C (-40 ~ 158 °F)
7 Option 1	0 : Standard Cover
	⁷⁾ 1 : Dome Cover
8 Option 2	0 : None
	⁸⁾ 1 : + SPTM (Internal, Without LCD) → Non-explosion
	⁹⁾ 2 : + SPTM (External, With SPTM-6V, Explosion proof)
	¹⁰⁾ 3 : + L/S (Limit Switch, Internal) → Non-explosion
	¹¹⁾ 4 : + L/S [External, With YT-850(Non-explosion) or YT-870(Explosion proof)]
	¹²⁾ 5 : + SPTM + L/S (Internal, Without LCD) → Non-explosion
	¹³⁾ 6 : + SPTM + L/S (External, With YT-870, Explosion proof)

¹⁾ Explosion proof : M(except KCs), T, F, X, Z, B, G, i are only available for S in **6** Operating Temp..

Explosion proof : M(KCs only) is only available for S, H in **6** Operating Temp..

Explosion proof : A, C are only available for S, L in **6** Operating Temp..

Explosion proof : E is only available for L in **6** Operating Temp..

²⁾ In case of EAC non-explosion type, put “EAC” in a purchase order sheet.

EAC non-explosion type is only available for L in **6** Operating Temp..

³⁾ Please put the name of certificate in a purchase order.

^{4) 5)} Explosion proof : Z, B are only available for 4, 5 in **5** Conduit – Air Connection Type.

⁶⁾ This option is just the normal operating temperature of the product and is not related to explosion proof temperature. See “2.6 Certificates” for explosion proof temperature.

- 7) In case of 1 in 7 Option 1 and "0" in 8 Option 2, available for M(ATEX/IECEX, KCs, NEPSI) and A, C, E, Z, B, G, N options in 2 Explosion Proof.
- 8) There is also "+ SPTM (Internal , With LCD) → Non-explosion proof". If you would like to order this, please fill in "SPTM (Internal, Wiith LCD)" on the order form.
- 8) 9) These are only available for S, L in 6 Operating Temp..
- 9) Two nameplates of KCs+NEPSI and TRCU are available for external option of SPTM-6V.
The conduit entry of external option of SPTM-6V is G 1/2, for NEPSI is 1/2 NPT
SPTM-6V(Explosion protection for Ex d IIC) is certified with KCs, NEPSI, EAC so this option is available for M(KCs, NEPSI) and C, E, N(Non-explosion) options in 2 Explosion Proof.
Only available for 0 in 7 Option 1.
- 10) 11) 12) 13) These are only available for S in 6 Operating Temp..
- 11) Only mechanical switch(SPDT) is available for external option of YT-850.
The conduit entry of external option of YT-850 is G 1/2.
- 11) 13) Mechanical switch(SPDT) and Inductive proximity(Autonics) are available for external option of YT-870.
Two nameplates of KCs+ATEX+IECEX+CSA and CCC are available for external option of YT-870.
The conduit entry of external option of YT-870 is G 3/4, for CSA and CCC are 1/2 NPT.
Available for M(ATEX/IECEX, KCs) and A, Z, B, G, N(Non-explosion) options in 2 Explosion Proof.

2.4.3 YT-1050 series follows suffix symbols as follows.

YT-1050 1 2 3 4 5 6 7

1 Motion type	L : Linear R : Rotary				
2 Acting type	S : Single D : Double				
3 Explosion Proof ¹⁾	²⁾ N : Non-explosion (Label Fig. L-21, L-22) ³⁾ M : Flameproof enclosure & encapsulation(IIB) : ATEX, IECEx, KCs, UKEX, PESO (Label Fig. L-23, 24) T : Flameproof enclosure & encapsulation(IIB) : INMETRO (Label Fig. L-25) E : Flameproof enclosure & encapsulation(IIB) : EAC (Label Fig. L-26) Z : Flameproof enclosure & encapsulation(IIB) : CCC, NEPSI (Label Fig. L-27)				
4 Lever Type	<table border="1"> <tr> <td style="border: none;">Linear</td> <td style="border: none;"> 1 : 10 ~ 40 mm 2 : 30 ~ 70 mm 3 : 60 ~ 100 mm 4 : 100 ~ 150 mm </td> </tr> <tr> <td style="border: none;">Rotary</td> <td style="border: none;"> 1 : M6 x 34L 2 : M6 x 63L 3 : M8 x 34L 4 : M8 x 63L 5 : NAMUR </td> </tr> </table>	Linear	1 : 10 ~ 40 mm 2 : 30 ~ 70 mm 3 : 60 ~ 100 mm 4 : 100 ~ 150 mm	Rotary	1 : M6 x 34L 2 : M6 x 63L 3 : M8 x 34L 4 : M8 x 63L 5 : NAMUR
Linear	1 : 10 ~ 40 mm 2 : 30 ~ 70 mm 3 : 60 ~ 100 mm 4 : 100 ~ 150 mm				
Rotary	1 : M6 x 34L 2 : M6 x 63L 3 : M8 x 34L 4 : M8 x 63L 5 : NAMUR				
5 Orifice Type	1 : Ø1 2 : Ø2 3 : None				
6 Conduit – Air Connection Type	2 : G 1/2 – 1/4 NPT (N/A for CCC) 5 : 1/2 NPT – 1/4 NPT (only CCC)				
7 Operating Temp. (Non-explosion proof) ⁴⁾	S : -20 ~ 70 °C (-4 ~ 158 °F) H : -20 ~ 120 °C (-4 ~ 248 °F) L : -40 ~ 70 °C (-40 ~ 158 °F)				

¹⁾ Explosion proof code M(except KCs), T, Z is only available for “S” in 7 operating temperature.

Explosion proof : M(KCs only) is only available for S, H in 7 Operating Temp..

Explosion proof code E is only available for “L” in 7 operating temperature.

- 2) In case of EAC non-explosion type, put “EAC” in a purchase order sheet.
EAC non-explosion type is only available for L in Operating Temp..
- 3) Please put the name of certificate in a purchase order.
- 4) This option is just the normal operating temperature of the product and is not related to explosion proof temperature. See “2.6 Certificates” for explosion proof temperature.

2.5 Product Specification

2.5.1 Positioner Specification

Model		YT-1000		YT-1050	
Housing Material		Aluminum		Stainless steel 316	
Motion Type		Linear	Rotary	Linear	Rotary
Acting Type		Single / Double			
Input Signal		4 ~ 20 mA DC			
Supply Pressure		0.14 ~ 0.7 MPa (1.4 ~ 7 bar)			
Stroke		10 ~ 150 mm	55 ~ 100°	10 ~ 150 mm	55 ~ 100°
Impedance		Max. 250 ± 15 Ω			
Air Connection		Rc 1/4 or G 1/4 or 1/4 NPT		1/4 NPT	
Gauge Connection		Rc 1/8 or 1/8 NPT		1/8 NPT	
Conduit Entry		G 1/2(N/A for some certificates) or 1/2 NPT or M20x1.5P		G 1/2(N/A for CCC) or 1/2 NPT(only CCC)	
Ingress Protection		IP66, Type 4X(FM)		IP66	
Explosion Proof		1. Non-explosion			
		2. Flameproof enclosure & encapsulation		2. Flameproof enclosure & encapsulation	
		3. Intrinsic safety			
		Refer to "2.6 Certifications" for details			
Ambient Temperature	Operating	Standard	-20 ~ 70 °C (-4 ~ 158 °F)		
		High	-20 ~ 120 °C (-4 ~ 248 °F)		
		Low	-40 ~ 70 °C (-40 ~ 158 °F)		
	Explosion Proof	Refer to "2.6 certifications" for details			
Linearity		Single	± 1 % F.S.		
		Double	± 2 % F.S.		
Hysteresis		± 1 % F.S.			
Sensitivity		Single	± 0.2 % F.S.		
		Double	± 0.5 % F.S.		
Repeatability		± 0.5 % F.S.			
Flow Capacity		80 LPM (Sup. = 0.14 MPa)			
Air Consumption		2.5 LPM (Sup. = 0.14 MPa @ idle)			
Feedback Signal (Option)		4 ~ 20 mA (DC 9 ~ 28 V)			
Weight		2.7 kg (6.1 lb)	2.8 kg (6.2 lb)	5.71 kg (12.6 lb)	
Painting		Polyester Powder Coating		-	



Tested under ambient temperature of 20 °C, absolute pressure of 760 mmHg, and humidity of 65 %.

Please contact Rotork YTC Limited for detailed testing specification.

2.5.2 Specification of SPTM(Smart Position Transmitter) option

External	External SPTM Model		SPTM-6V		
	Housing Material		Aluminum		
	Internal	Motion Type	Linear	Rotary	
		Input Stroke	10 ~ 150 mm	55 ~ 100°	
		Output Signal	4 ~ 20 mA DC		
		External Load Resistance	$R_{ext} \leq (V_s - 9) / 20 \text{ mA}, 750 \text{ ohms @ } V_s = 24 \text{ V}$		
		Supply Voltage	$V_s : 9 \sim 28 \text{ V DC}$		
		Linearity	$\pm 1 \% \text{ F.S.}$		
		Hysteresis	$\pm 0.2 \% \text{ F.S.}$		
		Sensitivity	$\pm 0.2 \% \text{ F.S.}$		
		Conduit Entry	G 1/2 (for NEPSI, 1/2 NPT)		
	Ingress Protection	IP67			
	Explosion Proof	Flameproof enclosure Refer to "2.6.4 certifications"			
	Ambient Temperature	Operating	-40 ~ 85 °C (-40 ~ 185 °F)		
		Explosion proof	Refer to "2.6.4 certifications"		
	Weight	1.3 Kg (2.9 lb)			
Painting	Polyester Powder Coating				



Tested under ambient temperature of 20 °C, absolute pressure of 760 mmHg, and humidity of 65 %.
Please contact Rotork YTC Limited for detailed testing specification.

2.5.3 Specification of Internal L/S(Limit Switch) option

Switch Type		Mechanical Switch (2 x SPDT)
Micro Switch Model		V-165-1A5 (OMRON)
Switch Rating	AC	250 V 16 A
	DC	125 V 0.6 A, 250 V 0.3 A
Terminal		8 Points
Ambient temperature		-25 ~ 80 °C (-13 ~ 176 °F)



Tested under ambient temperature of 20 °C, absolute pressure of 760 mmHg, and humidity of 65 %.
Please contact Rotork YTC Limited for detailed testing specification.

2.5.4 Specification of External L/S option

1)

External L/S Model		YT-850
Switch Type		Mechanical Type (2 x SPDT)
Model No. & Manufacturer		SS5GL (OMRON)
Switch Rating	AC	250 V 3 A, 125 V 5 A
	DC	250 V 0.2 A, 125 V 0.4 A, 30 V 4 A, 14 V 5 A, 8 V 5 A
Terminal		8 Points
Conduit Entry		G 1/2
Ingress Protection		IP67
Explosion Proof		Non-explosion
Ambient Temperature		-25 ~ 70 °C (-13 ~ 158 °F)
Housing Material		Aluminum
Weight		880 g (1.94 lb)
Painting		Polyester Powder Coating



Tested under ambient temperature of 20 °C, absolute pressure of 760 mmHg, and humidity of 65 %.

Please contact Rotork YTC Limited for detailed testing specification.

2)

External L/S Model		YT-870	
Switch Type		Mechanical Type (2 x SPDT)	Inductive Proximity Sensor
Model No. & Manufacturer		SS5GL (OMRON)	PS17-5DNU (Autonics, NPT type)
Switch Rating	AC	250 V 3 A, 125 V 5 A	-
	DC	250 V 0.2 A, 125 V 0.4 A, 30 V 4 A, 14 V 5 A, 8 V 5 A	12 ~ 24 V
Terminal		8 Points	
Conduit Entry		G 3/4 (for CCC, 1/2 NPT)	
Ingress Protection		Type 4, 4X(CSA), IP67	
Explosion Proof		Flameproof enclosure. Refer to "2.6.5 Certifications"	
Ambient Temperature		-20 ~ 60 °C (-4 ~ 140 °F)	
Housing Material		Aluminum	
Weight		1.5 Kg (3.3 lb)	
Painting		Polyester Powder Coating	



Tested under ambient temperature of 20 °C, absolute pressure of 760 mmHg, and humidity of 65 %.
Please contact Rotork YTC Limited for detailed testing specification.

2.6 Certifications

※ All certifications below are posted on Rotork YTC Limited homepage(www.ytc.co.kr).

2.6.1 YT-1000 & YT-1050

➤ **ATEX**

Rating :

- 1) II 2G Ex db mb IIB T5 Gb, NEMA 4X
- 2) II 2G Ex ia IIC T6 Gb, NEMA 4X

Certification No. : EPS 16 ATEX 1 141 X

Ambient temperature : -20 ~ 60°C (-4 ~ 140°F)

➤ **IECEX**

Rating : Ex db mb IIB T5 Gb, NEMA 4X

Certification No. : IECEX EPS 16.0059X

Ambient temperature : -20 ~ 60°C (-4 ~ 140°F)

➤ **CCC (China)**

Rating : Ex d mb IIB T5 Gb

Certification No. : 2020322307002521

Ambient temperature : -20 ~ 60°C (-4 ~ 140°F)

➤ **EAC (TRCU, Russia, Kazakhstan, Belarus)**

Rating : 1Ex d mb IIB T5 Gb X, IP66

Certification No. : RU C-KR.MIO62.B.04758

Ambient temperature : -40 ~ 60°C (-40 ~ 140°F)

➤ **INMETRO (Brazil)**

Rating : Ex db mb IIB T5 Gb

Certification No. : DNV 17.0069 X

Ambient temperature : -20 ~ 60°C (-4 ~ 140°F)

➤ **UKEX**

Rating : II 2G Ex db mb IIB T5 Gb, NEMA 4X

Certification No. : CML 21UKEX1820X

Ambient temperature : -20 ~ 60°C (-4 ~ 140°F)

2.6.2 YT-1000

➤ **KCs**

- 1) Rating : Ex dmb IIB T5/T4
Certification No. : 10-KB2BO-0028
Ambient temperature : T5 → -20 ~ 70°C (-4 ~ 158°F), T4 → -20 ~ 120°C (-4 ~ 248°F)
- 2) Rating : Ex dmb IIC T5
Certification No. : 11-KB2BO-0014
Ambient temperature : -20 ~ 60°C (-4 ~ 140°F) → NBR elastomer
-40 ~ 60°C (-40 ~ 140°F) → Silicone elastomer
- 3) Rating : Ex ia IIC T6 Gb
Certification No. : 11-KB2BO-0001
Ambient temperature : -20 ~ 60°C (-4 ~ 140°F)

➤ **NEPSI**

- Rating :
- 1) Ex d mb IIB T5 Gb
 - 2) Ex d mb IIC T6 Gb
- Certification No. : GYJ20.1517X
Ambient temperature : -20 ~ 60°C (-4 ~ 140°F)

➤ **FM**

- Rating : CL I, Div 1, Grps C,D T5; CL II, III, Div 1, Grps E,F,G T5; Type 4X
Certification No. : FM19US0090
Ambient temperature : -20 ~ 60°C (-4 ~ 140°F)

➤ **CSA**

- Rating : Ex d m IIB T5 Gb
Certification No. : 1613814
Ambient temperature : -20 ~ 60°C (-4 ~ 140°F) → NBR elastomer
-40 ~ 60°C (-40 ~ 140°F) → Silicone elastomer

➤ **TIIS**

- Rating : Ex dmb IIB T5
Certification No. : TC21196
Ambient temperature : -20 ~ 70°C (-4 ~ 158°F)

➤ **TS**

- Rating : Ex db mb IIB T5 Gb X
Certification No. : TS : 1050008222
Ambient temperature : -20 ~ 60°C (-4 ~ 140°F)

- **CCC (China)**
 - 1) Rating : Ex d mb IIC T6 Gb
Certification No. : 2020322307002521
Ambient temperature : -20 ~ 60°C (-4 ~ 140°F)
 - 2) Rating : Ex ia IIC T6 Ga
Certification No. : 2020322307002521
Ambient temperature : -20 ~ 60°C (-4 ~ 140°F)
- **PESO (India)**
 - 1) Rating : Ex db mb IIB T5 Gb
Certification No. : P544047/1
Ambient temperature : -20 ~ 60°C (-4 ~ 140°F)
 - 2) Rating : Ex ia IIC T6 Gb
Certification No. : P544045/1
Ambient temperature : -20 ~ 60°C (-4 ~ 140°F)
- **Electromagnetic Compatibility (EMC)**
 - EMC directive 2014/30/EC from April 2016
 - EC Directive for CE conformity marking

2.6.3 YT-1050

- **KCs (Korea)**

Rating : Ex db mb IIB T5/T4 Gb
Certification No. : 21-KA2BO-0194X
Ambient temperature : T5 → -20 ~ 70°C (-4 ~ 158°F), T4 → -20 ~ 120°C (-4 ~ 248°F)
- **NEPSI**

Rating : Ex d mb IIB T5 Gb
Certification No. : GYJ20.1517X
Ambient temperature : -20 ~ 60°C (-4 ~ 140°F)
- **PESO (India)**

Rating : Ex db mb IIB T5 Gb
Certification No. : P544046/1
Ambient temperature : -20 ~ 60°C (-4 ~ 140°F)

2.6.4 SPTM-6V(External option, Flameproof enclosure)

- **KCs (Korea)**

Rating : Ex d IIC T6 IP67
Certification No. : 12-KB2BO-0313
Ambient temperature : -40 ~ 60°C (-40 ~ 140°F)

- **NEPSI (China)**
Rating : Ex d IIC T6 Gb
Certification No. : GYJ20.1519X
Ambient temperature : -40 ~ 60°C (-40 ~ 140°F)

- **EAC (TRCU, Russia, Kazakhstan, Belarus)**
Rating : 1Ex d IIC T6 Gb IP67
Certification No. : RU C-KR.MIO62.B.04759
Ambient temperature : -60 ~ 60°C (-76 ~ 140°F)

- **Electromagnetic Compatibility (EMC)**
 - EMC directive 2014/30/EC from April 2016
 - EC Directive for CE conformity marking

2.6.5 YT-850(External option, Non-explosion)

- **Electromagnetic Compatibility (EMC)**
 - EMC directive 2014/30/EC from April 2016
 - EC Directive for CE conformity marking

2.6.6 YT-870(External option, Flameproof enclosure)

- **KCs (Korea)**
 - 1) Rating : Ex d IIC T6
Certification No. : 19-KA2BO-0870X
Ambient temperature : -20 ~ 60°C (-4 ~ 140°F)

 - 2) Rating : Ex tb IIIC T85°C
Certification No. : 19-KA2BO-0871X
Ambient temperature : -20 ~ 60°C (-4 ~ 140°F)

- **ATEX**
Rating : II 2G Ex db IIC T6 Gb, II 2D Ex tb IIC T85°C Db
Certification No. : EPS 16 ATEX 1 140 X
Ambient temperature : -20 ~ 60°C (-4 ~ 140°F)

- **IECEX**
Rating : Ex db IIC T6 Gb, Ex tb IIIC T85°C Db
Certification No. : IECEX EPS 14.0053X
Ambient temperature : -20 ~ 60°C (-4 ~ 140°F)

- **CSA**
Rating : Ex db IIC T6
Class I, Zone 1, AEx db IIC T6
Class II, Division 1, Groups E, F and G; Ex tb IIIC T85°C
Zone 21, AEx tb IIIC T85°C
Type 4, 4X ; IP67
Certification No. : 2541711
Ambient temperature : -20 ~ 60°C (-4 ~ 140°F)

➤ **CCC (China)**

Rating : Ex d IIC T6 Gb, Ex tD A21 IP67 T85°C

Certification No. : 2020322307000620

Ambient temperature : -20 ~ 60°C (-4 ~ 140°F)

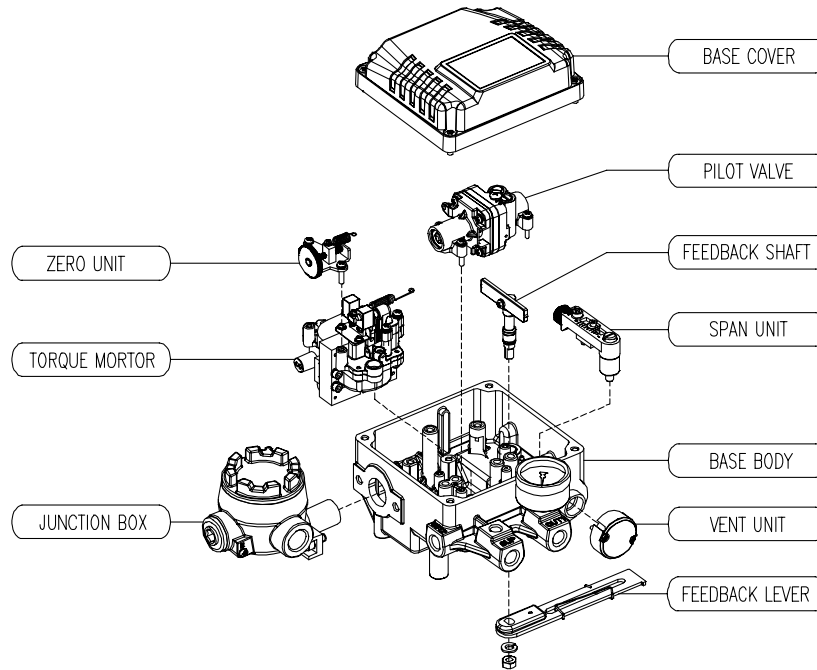
➤ **Electromagnetic Compatibility (EMC)**

- EMC directive 2014/30/EC from April 2016

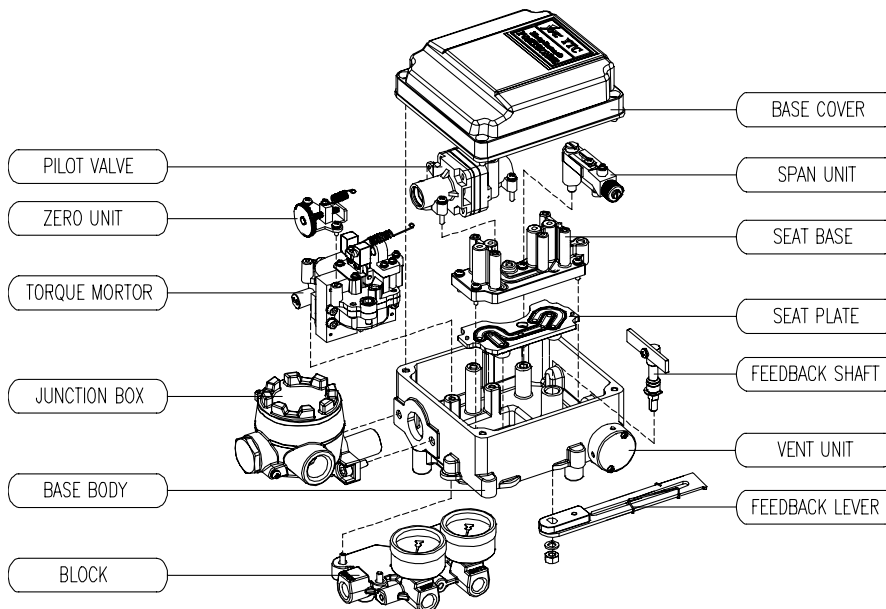
- EC Directive for CE conformity marking

2.7 Parts and Assembly

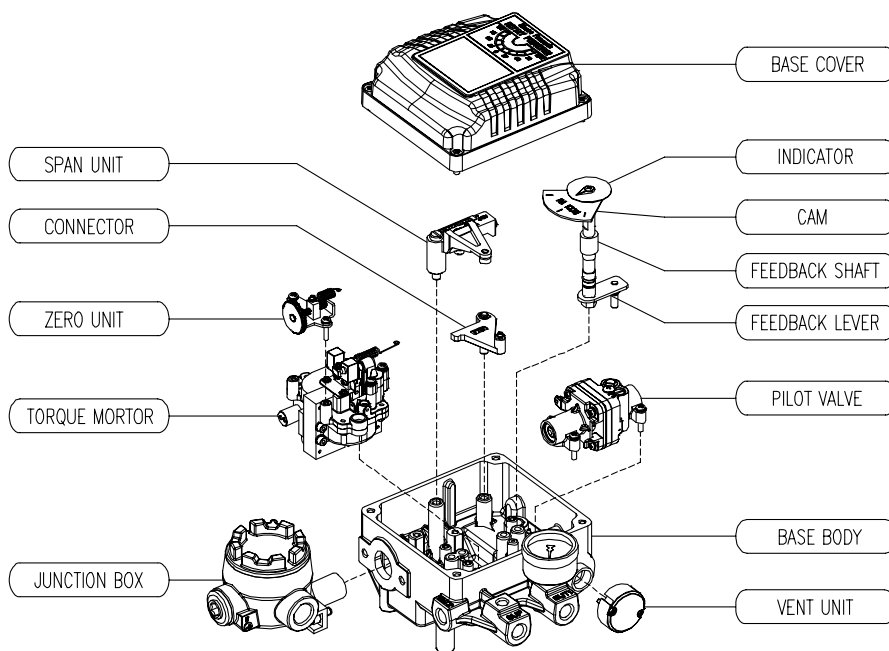
2.7.1 YT-1000L



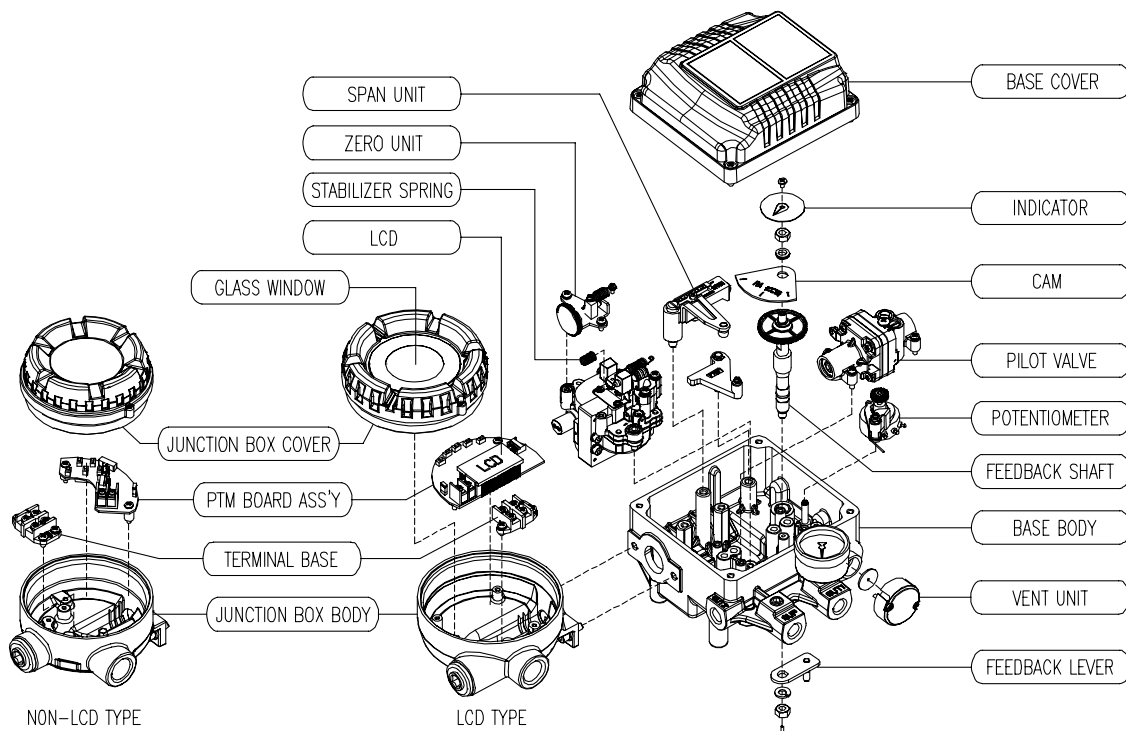
2.7.2 YT-1050L



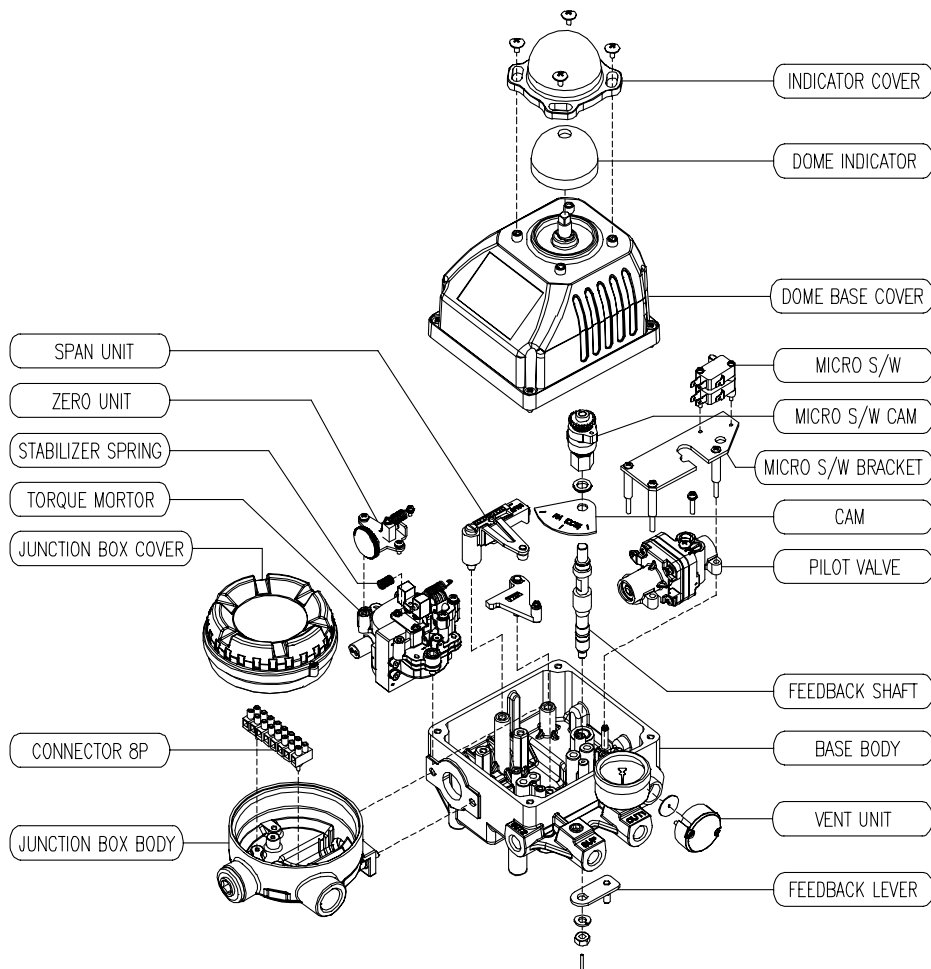
2.7.3 YT-1000R



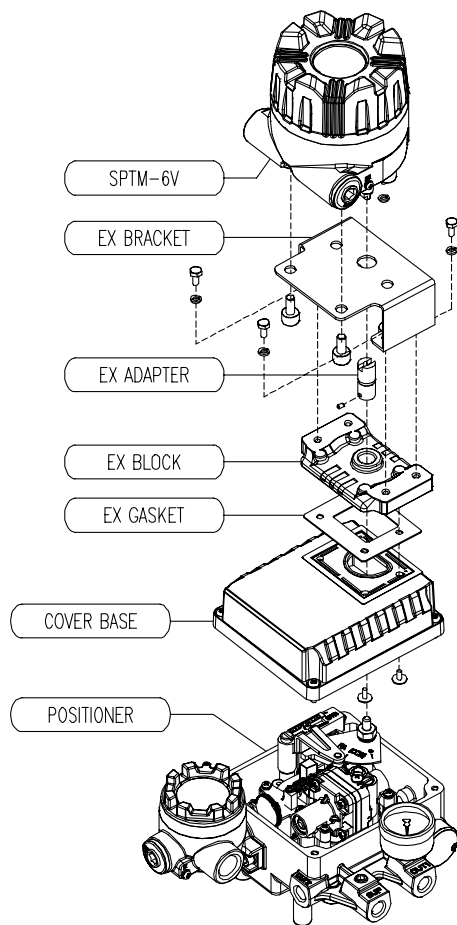
2.7.4 YT-1000R + SPTM (Internal)



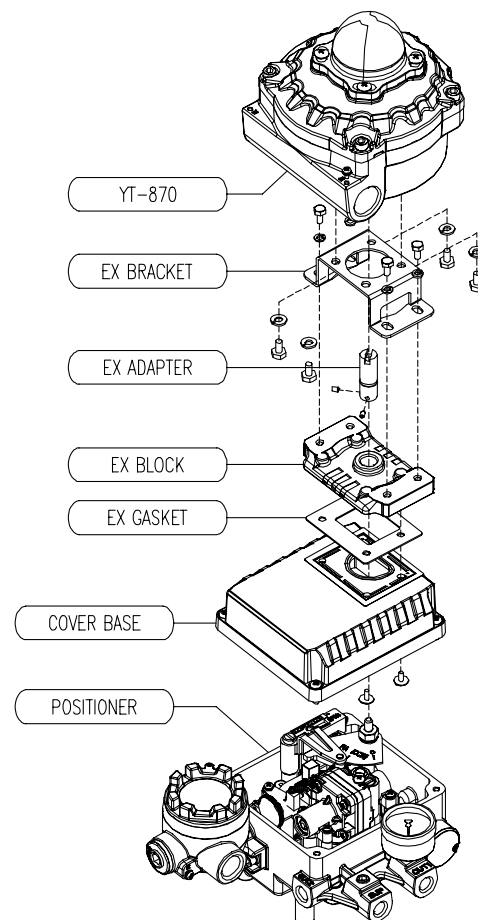
2.7.5 YT-1000R + Limits Switch (Internal)



2.7.6 YT-1000R + SPTM (External)

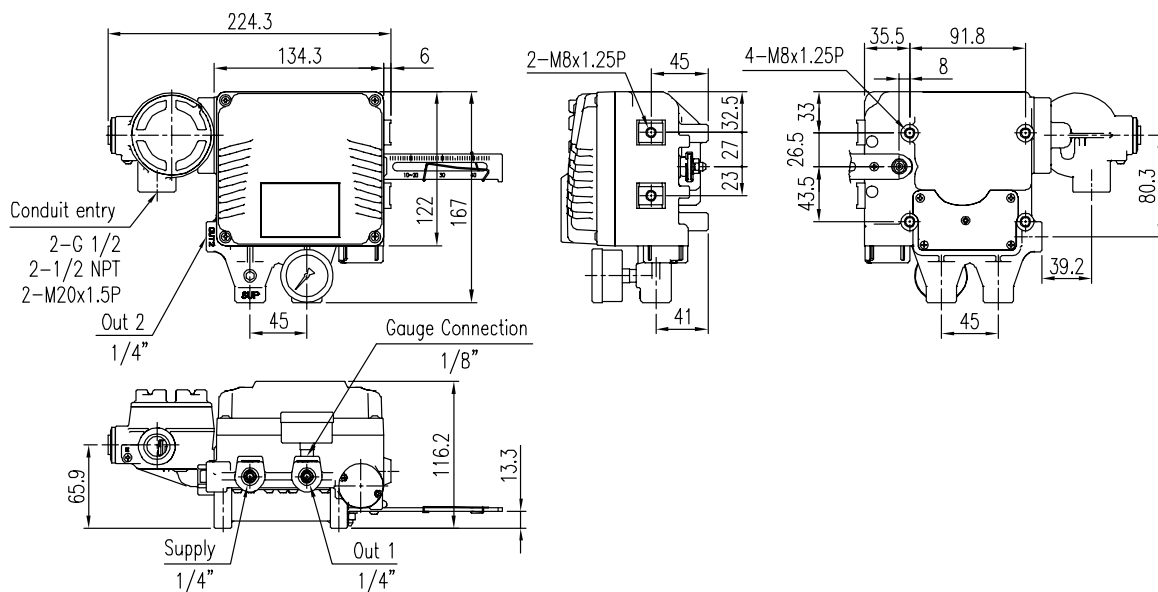


2.7.7 YT-1000R + Limit Switch (External)

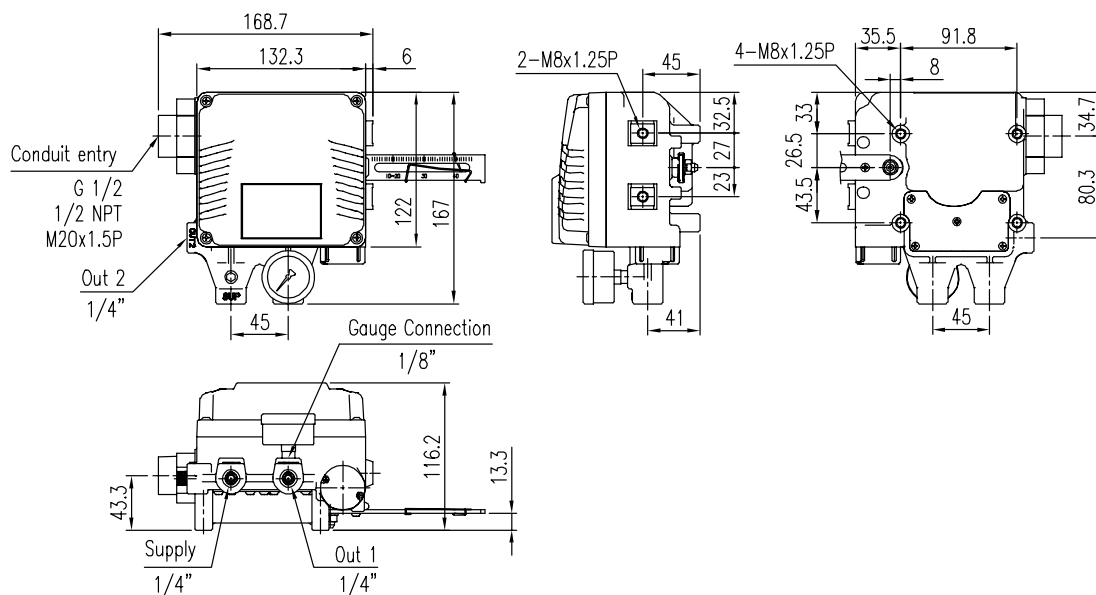


2.8 Product Dimension

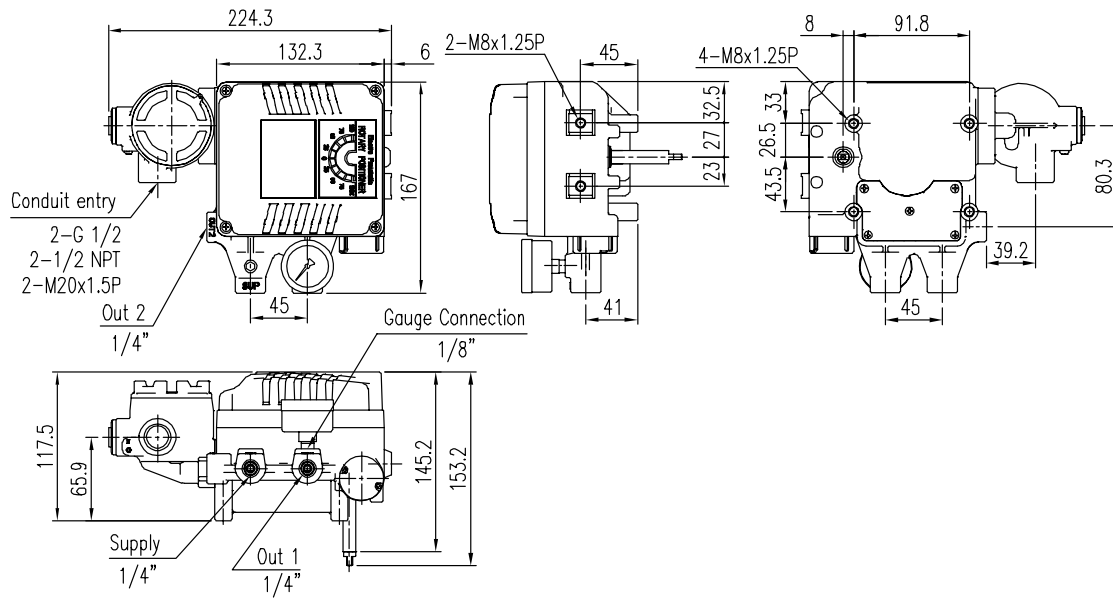
2.8.1 YT-1000L (Flameproof enclosure)



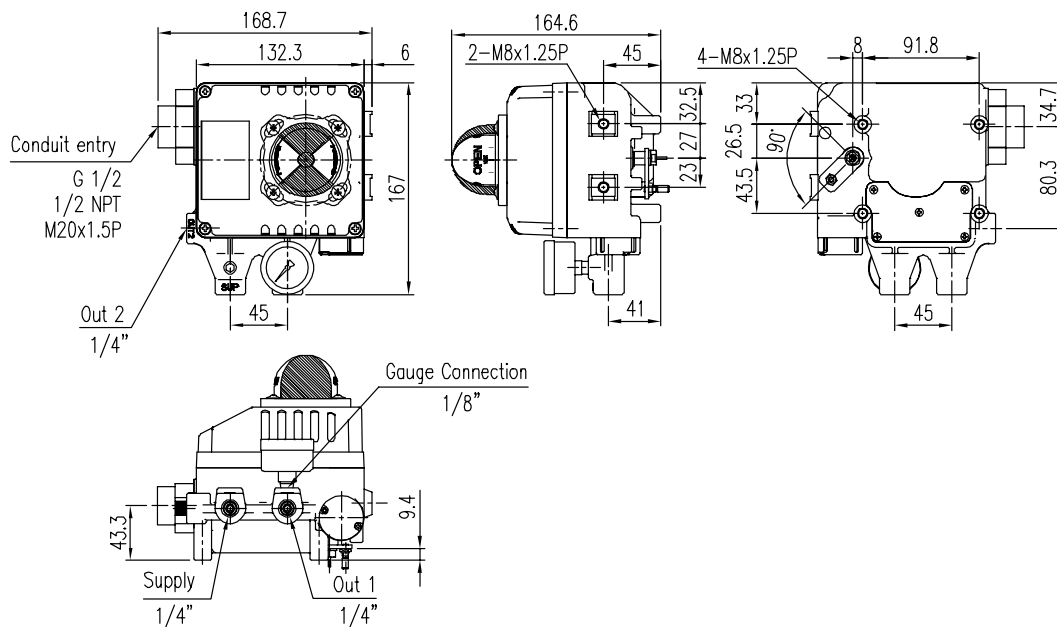
2.8.2 YT-1000L (Non-explosion proof type or Intrinsic safety)



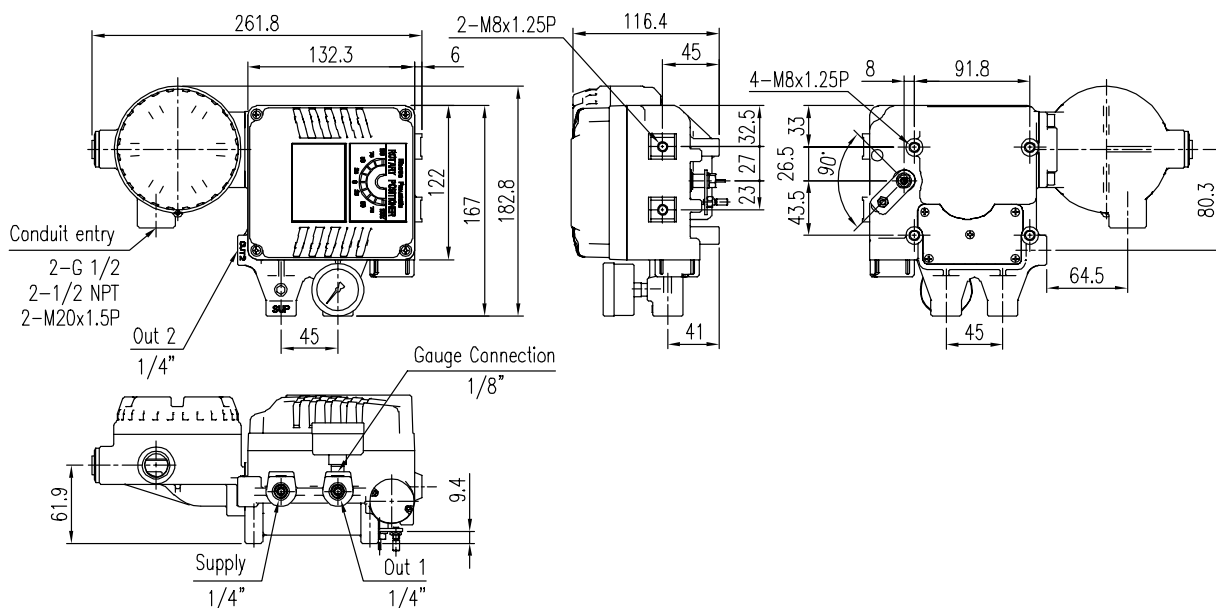
2.8.5 YT-1000R (Namur type)



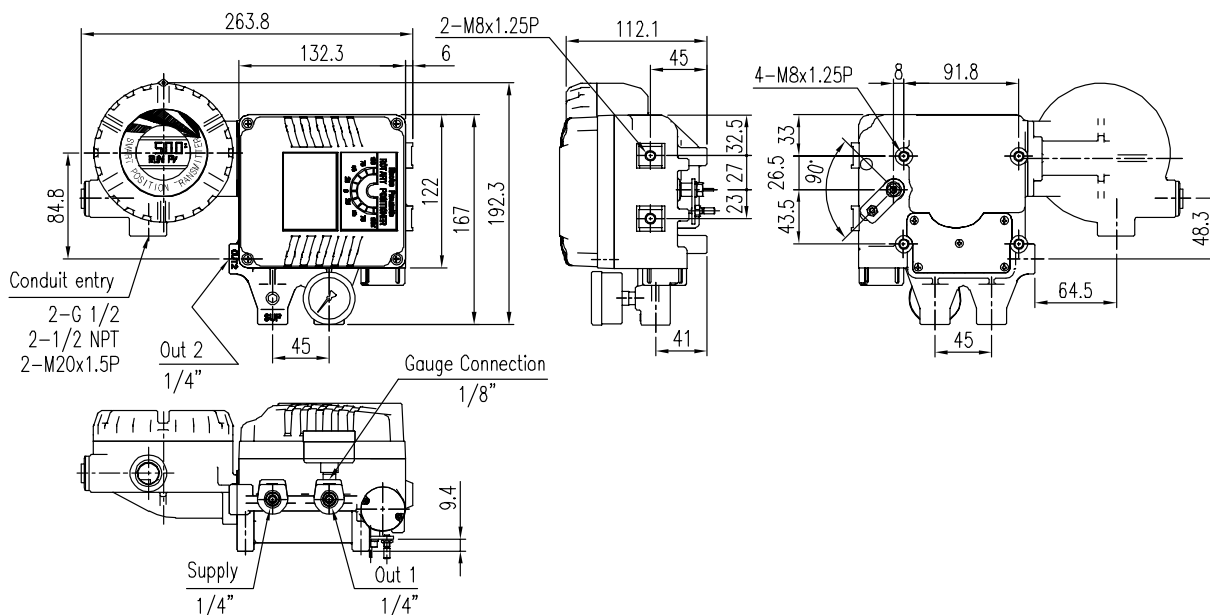
2.8.6 YT-1000R (Dome indicator)



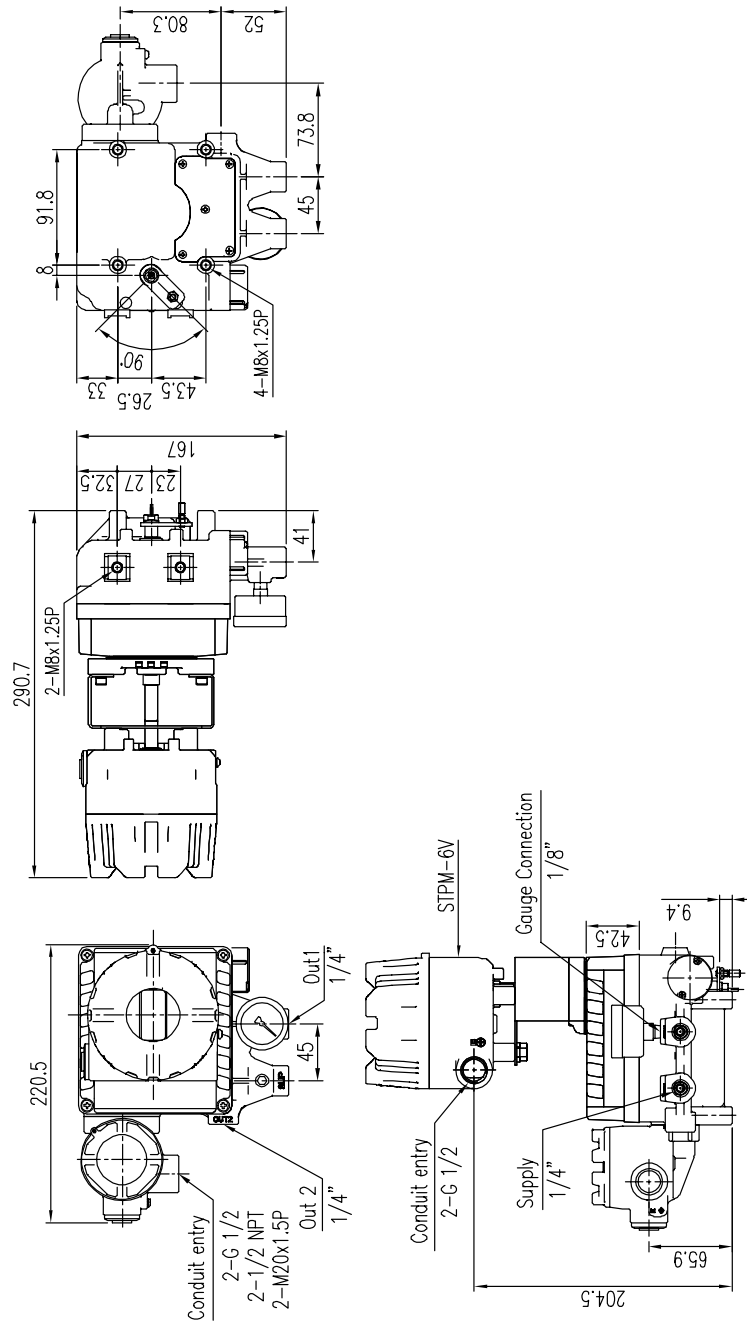
2.8.7 YT-1000R (Internal SPTM without LCD)



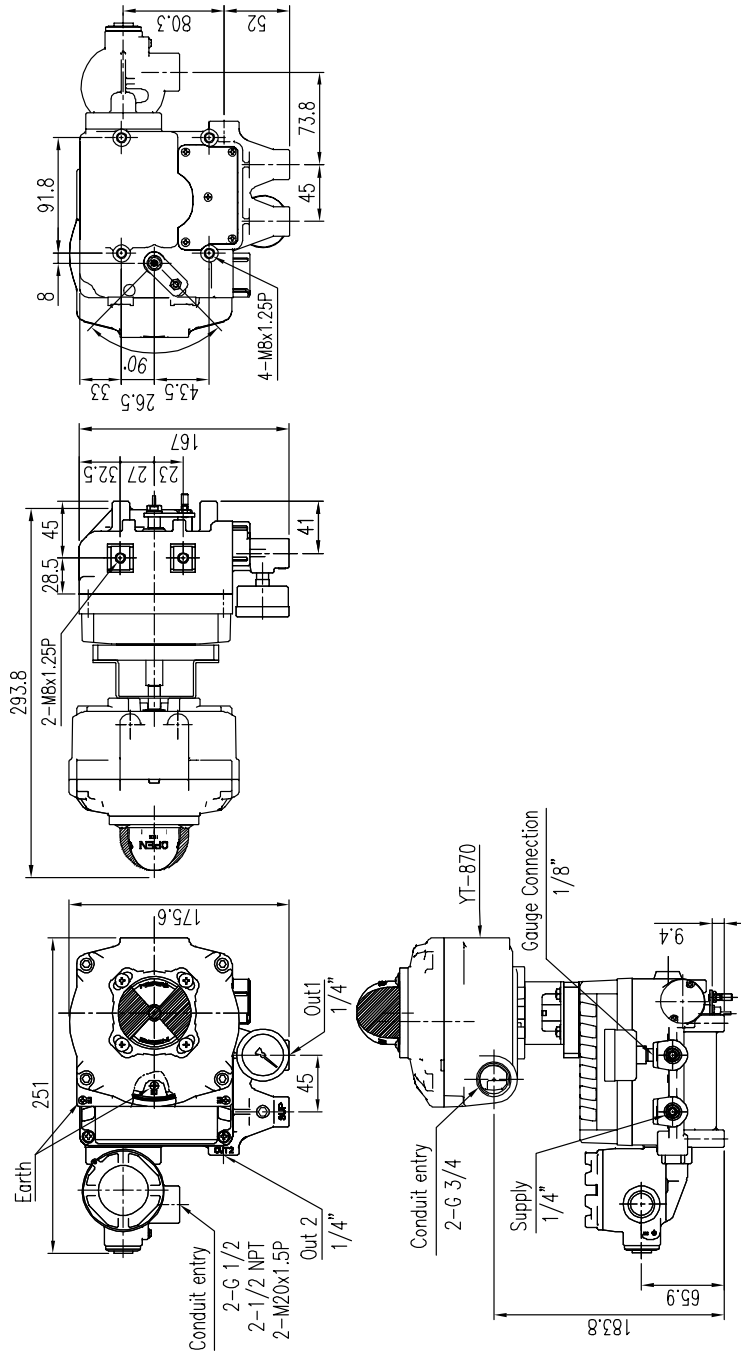
2.8.8 YT-1000R (Internal SPTM with LCD)



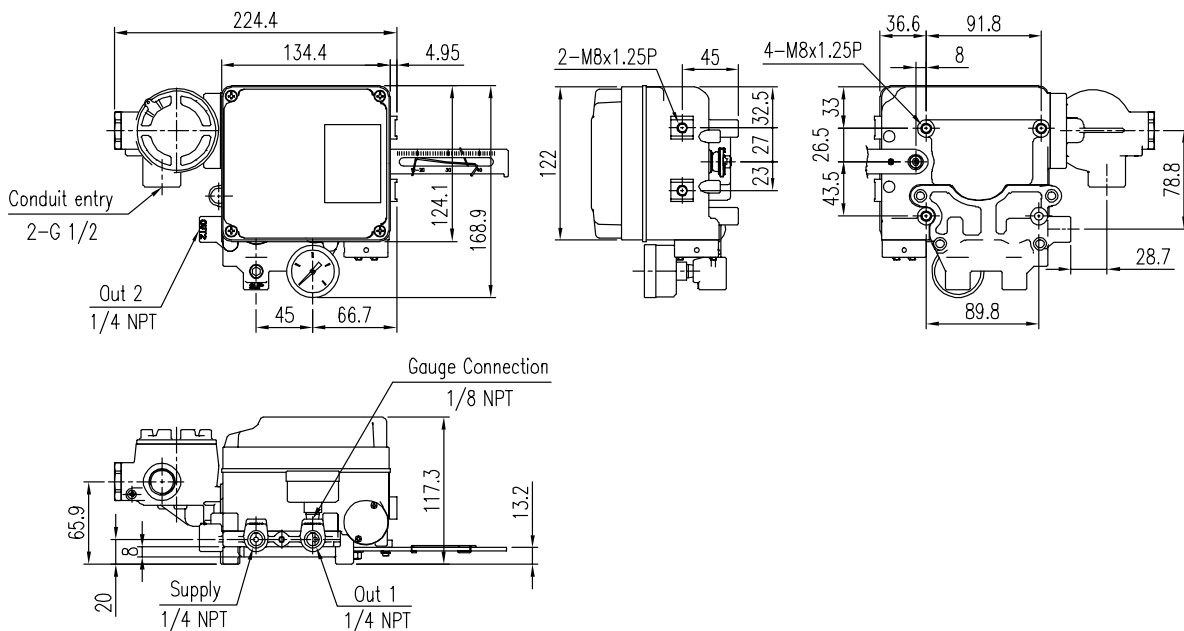
2.8.10 YT-1000R (External SPTM with LCD)



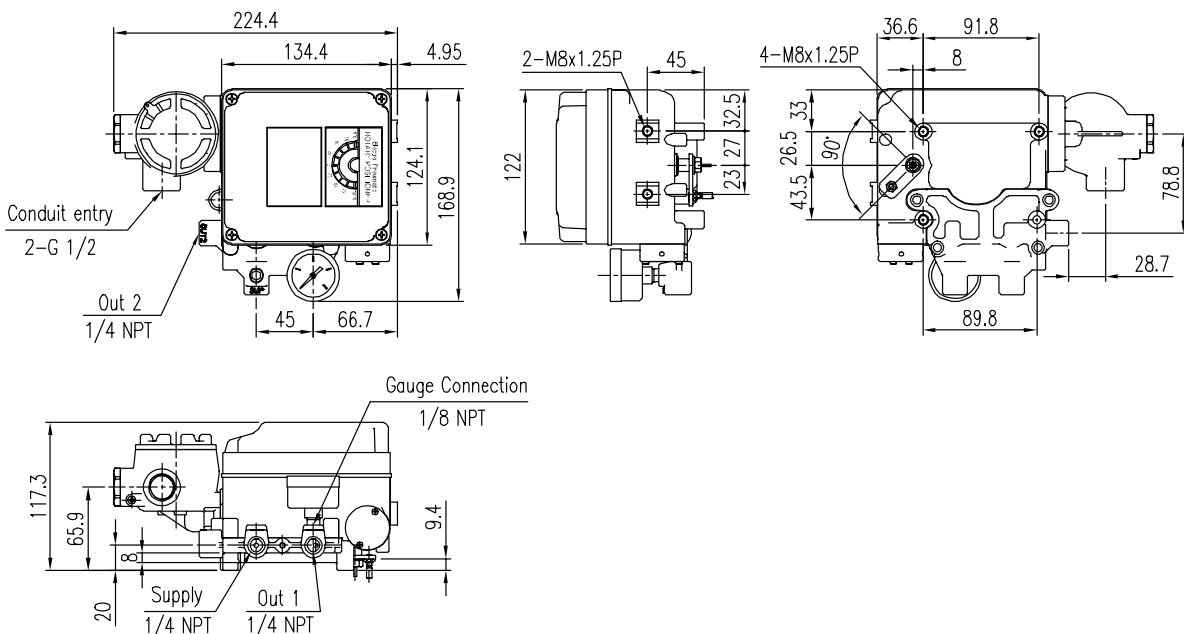
2.8.11 YT-1000R (External Limit Switch)



2.8.12 YT-1050L (Explosion proof construction for internal pressure type)



2.8.13 YT-1050R (Fork Lever type + Explosion proof construction for internal pressure)



3 principle of positioner movement

3.1 Linear Positioner

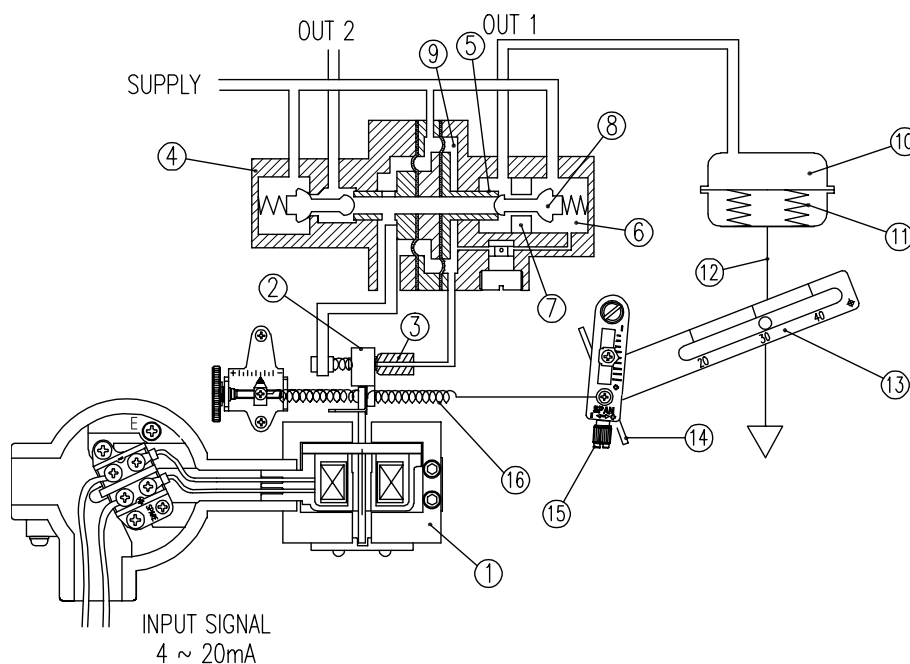


Fig. 3-1: Linear positioner with an actuator

When INPUT SIGNAL is supplied to the positioner to open the valve, power is generated from ① the torque motor and pushes ② the flapper to the opposite side of ③ the nozzle. The gap between ③ the nozzle and ② the flapper becomes wider and from inner part of ④ the pilot, air inside ⑨ the chamber is exhausted through ③ the nozzle. Due to this effect, ⑤ the spool moves to the right. Then the spool pushes ⑧ the poppet away from ⑦ the seat which was blocked by the poppet and supplied pressure (air) goes through ⑦ the seat and OUT1 Port and enters into ⑩ the chamber of the actuator. Then ⑩ chamber's pressure will increase and when there is enough pressure inside the chamber to push ⑪ the actuator's spring, ⑫ actuator's stem will start to go down and through the feedback lever, stem's linear motion will be converted to span ⑭ lever's rotary motion. This ⑭ span lever's rotary motion will then once again rotate ⑮ the span and pulls ⑯ the span spring. When the valve's position reaches to given input signal, ⑯ span spring's pulling force and ① torque motor's power will be balanced and move ② the flapper back its original position to reduce the gap with ③ the nozzle. The amount of air being exhausted through ③ the nozzle will reduce and ⑨ the chamber pressure will increase again. ⑤ Spool will move back to its original position on the left and ⑧ the poppet will also move in same direction blocking ⑦ the seat to stop the air coming into the ⑩ chamber through the SUPPLY. As a result, the actuator will stop operating and the positioner will return to its normal condition.

3.2 Rotary Positioner

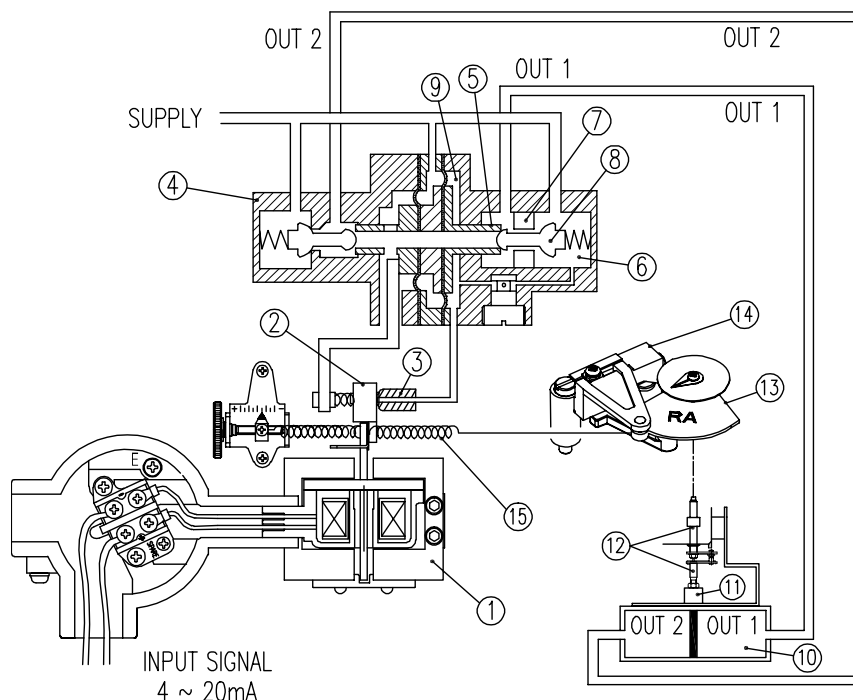


Fig. 3-2: Rotary positioner with an actuator

When INPUT SIGNAL is supplied to the positioner to open the valve, power is generated from ① the torque motor and pushes ② the flapper to the opposite side of ③ the nozzle. The gap between ③ the nozzle and ② the flapper becomes wider and from inner part of ④ the pilot, air inside ⑨ the chamber is exhausted through ③ nozzle. Due to this effect, ⑤ the spool moves to the right. Then the spool pushes ⑧ the poppet away from ⑦ the seat which was blocked by the poppet and supplied pressure (air) goes through ⑦ the seat and OUT1 Port and enters into ⑩ the chamber of the actuator through OUT1. Then ⑩ chamber's OUT1 pressure will increase and ⑪ the actuator's stem will rotate and through ⑫ the feedback shaft, actuator's rotating motion will be transferred to ⑬ the cam. This motion will then rotate ⑭ the span lever and pull ⑮ the span's spring. Once it reaches to given input signal, ⑮ span spring's pulling force and ① torque motor's power will be balanced and move ② the flapper back its original position to reduce the gap with ③ the nozzle. The amount of air being exhausted through ③ the nozzle will reduce and ⑨ chamber pressure will increase again. ⑤ Spool will move back to its original position on the left and ⑧ the poppet will also move in same direction blocking ⑦ the seat to stop the air coming into the ⑩ chamber through the SUPPLY. As a result, the actuator will stop operating and the positioner will return to its normal condition.

4 Installation

4.1 Safety

When installing a positioner, please ensure to read and follow safety instructions.



- Any input or supply pressures to valve, actuator, and / or to other related devices must be turned off.
- Use bypass valve or other supportive equipment to avoid entire system “shut down”.
- Ensure there is no remaining pressure in the actuator.
- The positioner has a vent cover to exhaust internal air and drain internal condensation water. When installing the positioner, make sure the vent cover must be facing downward. Otherwise, the condensation water could cause corrossions and damages to internal parts.

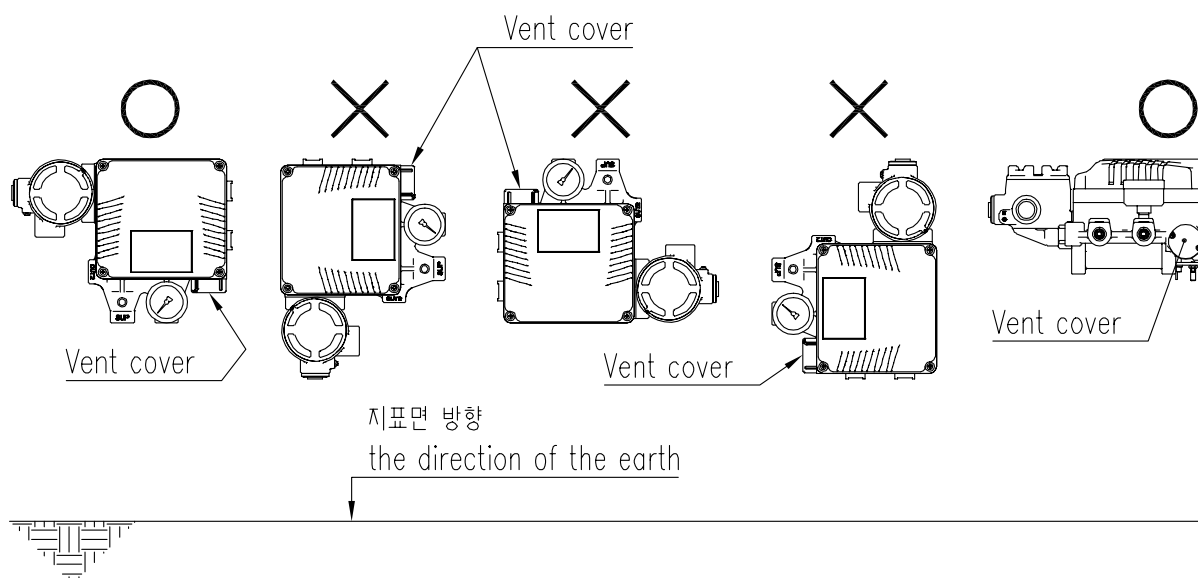


Fig. 4-1: The correct positions of a vent cover

- ※ Installed in accordance with the National Electrical Code(NEC), ANSI/NFPA 70, or CEC Part 1 as applicable.(FM approved product)

4.2 Tools for installation

- Hex key set for hex socket cap bolts
- (+) & (-) Screw drivers
- Spanners for hexagonal-head bolts

4.3 Linear positioner Installation

Linear positioner should be installed on linear motion valves such as globe or gate type which uses spring return type diaphragm or piston actuators.

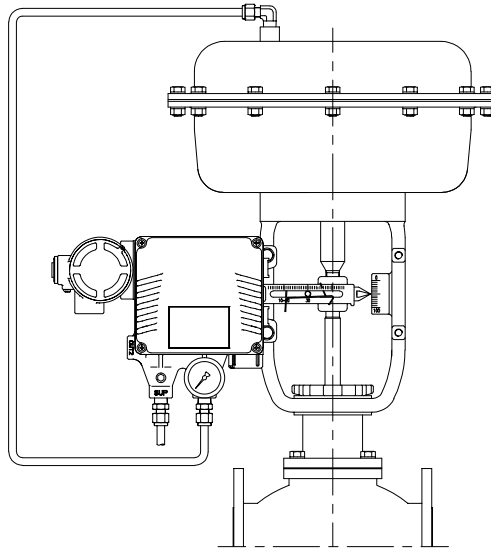


Fig. 4-2: Installation example

Before proceeding with the installation, ensure following components are available.

- Positioner
- Feedback lever and lever spring
- M6 nut and spring washer (fastening feedback lever to a main shaft)
- Bracket, bolts and washers for positioner – not supplied with the positioner
- Connection bar – not supplied with the positioner

4.3.1 Preparing Bracket for the positioner

Proper bracket must be made in order to adapt the positioner on the actuator yoke.

Please consider following important points when a bracket is being designed.

- Positioner's feedback lever must be vertical to the valve stem at 50 % of the valve stroke.
- The connection bar of the actuator clamp for the feedback lever should be installed in such a way that the valve stroke length coincides with the corresponding figure in "mm" marked on the feedback lever. Improper setting may cause poor linearity



4.3.2 Installation Steps

- 1) Assemble the positioner with the bracket made in previous step by fastening the bolts (M8 x 1.25P).

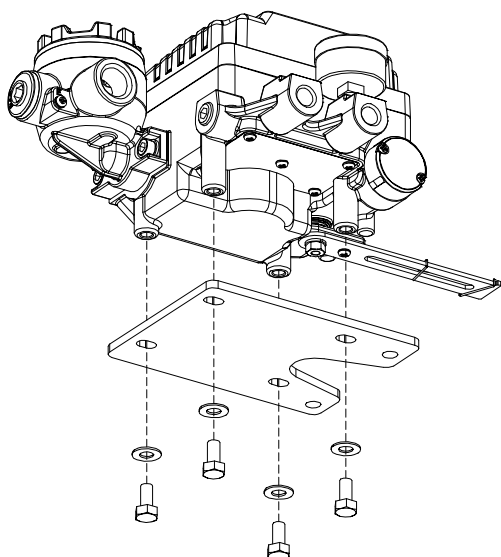


Fig. 4-3: Attaching the positioner to the bracket

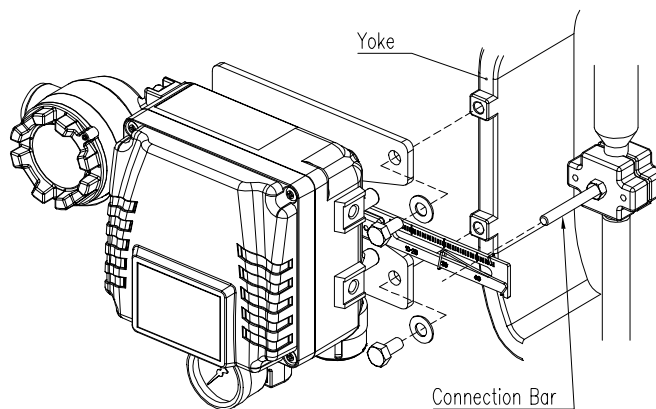


Fig. 4-4: Attaching the bracket to actuator yoke

- 2) Attach the positioner with the bracket to the actuator yoke
– **DO NOT TIGHTEN THE BRACKET COMPLETELY.**
- 3) Connect connection bar to the actuator clamp. The hole gap on the feedback lever is 6.5 mm so the connection bar's outer diameter should be less than 6 mm.
- 4) Connect an air-filter regulator to the actuator temporarily. Supply enough air pressure to the actuator in order to position the valve stroke at 50 % of the total stroke.

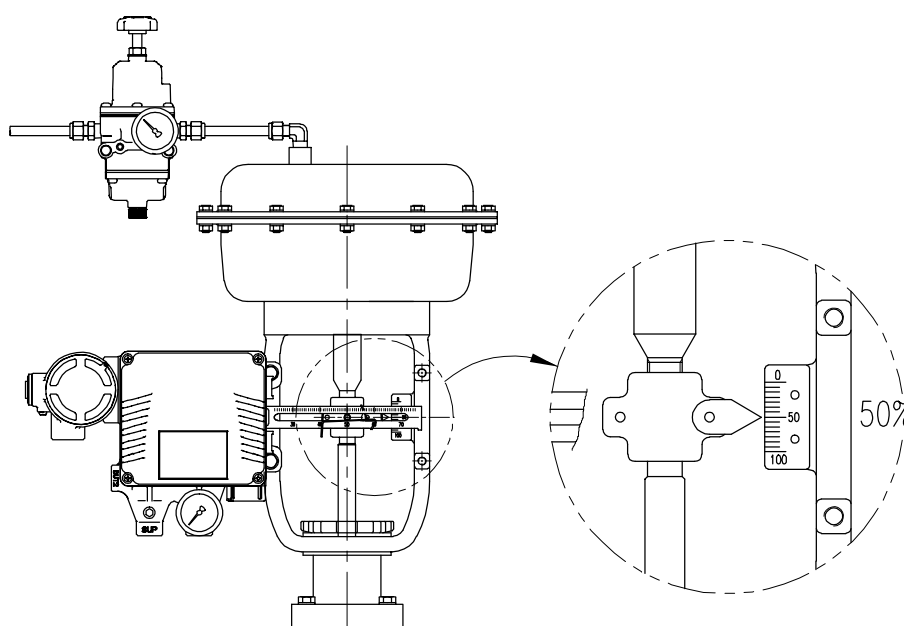


Fig. 4-5: Positioning the valve at 50 % of the total stroke

- 5) Insert the connection bar between the feedback lever and lever spring. The connection bar must be located upward from the lever spring as shown the below left figure. If it is located downward from the lever spring as shown the below right figure, the connection bar or the lever spring will be worn out quickly because of excessive strong tension.

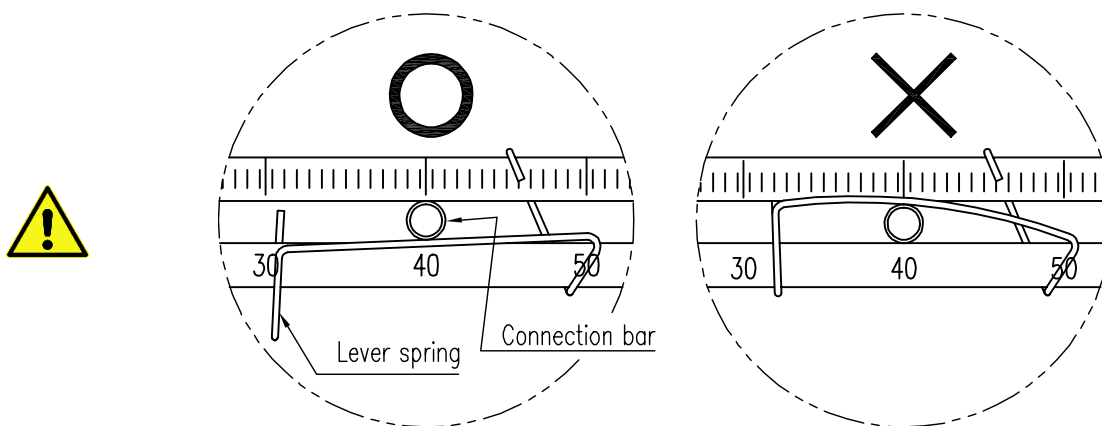


Fig. 4-6: Proper way to insert connection bar between feedback lever and lever spring

- 6) Check if feedback lever is vertical to the valve stem at 50 % of the valve stroke. If it is not vertical, adjust the bracket or the connection bar to make vertical. Improper installation may cause poor linearity.

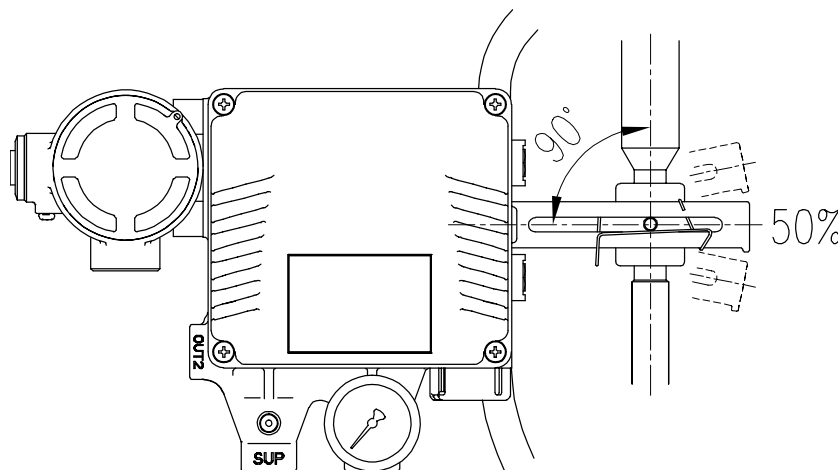


Fig. 4-7: Feedback lever and valve stem

- 7) Check the valve stroke. The stroke numbers are engraved on the feedback lever of the positioner. Position the connection bar at the number on the feedback lever which corresponds with the desired valve stroke. To adjust, move the bracket, the connection bar or both.

※ The effective linear lever angle is 23 degree.

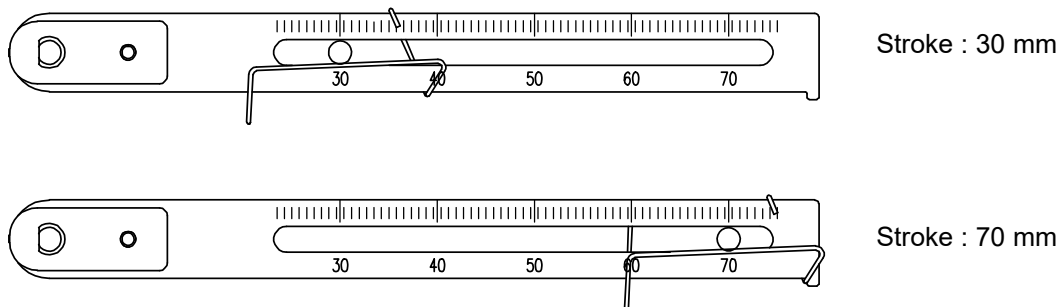


Fig. 4-8: Feedback lever and location of the connection bar



- 8) After installing the positioner, operate the valve from 0 % to 100 % stroke by using direct air to the actuator. On both 0 % and 100 %, the linear lever stopper should not touch the stopping bosses of positioner, which is located on the backside of the positioner. If the linear lever stopper touches the stopping bosses, the positioner should be installed further away from center of the actuator.

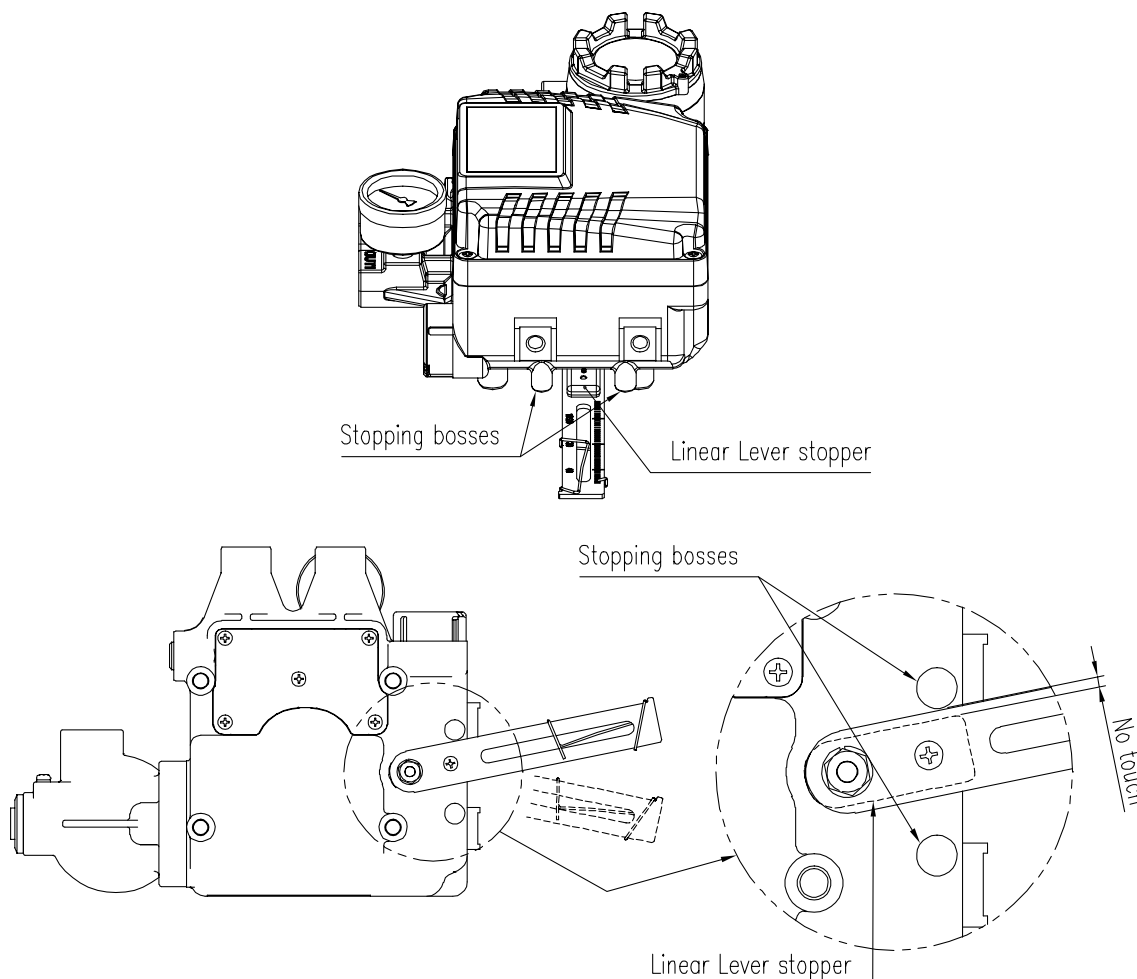


Fig. 4-9: Linear lever stopper should not touch stopping bosses of positioner on 0 % ~ 100 % valve stroke.

- 9) After the installation, tighten all of the bolts or nuts on the bracket and the connection bar.

4.4 Rotary positioner Installation

Rotary positioner should be installed on rotary motion valve such as ball or butterfly type which uses rack and pinion, scotch yoke or other type of actuators which its stem rotates 90 degrees. Before proceeding with the installation, ensure following components are available.

4.4.1 Components

- Positioner
- Fork lever (Only Fork lever type)
- Rotary bracket set (2 pieces)
- 4 pcs x hexagonal headed bolts (M8 x 1.25P)
- 4 pcs x M8 plate washers
- 4 pcs x wrench headed bolts (M6 x 1P x 15L)
- 4 pcs x M6 nuts
- 4 pcs x M6 spring washers
- Bolts and washers to attach bracket to actuator – not supplied with the positioner

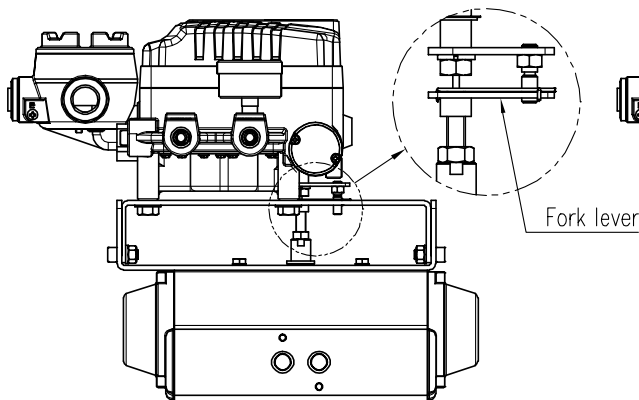


Fig. 4-10: Fork lever type

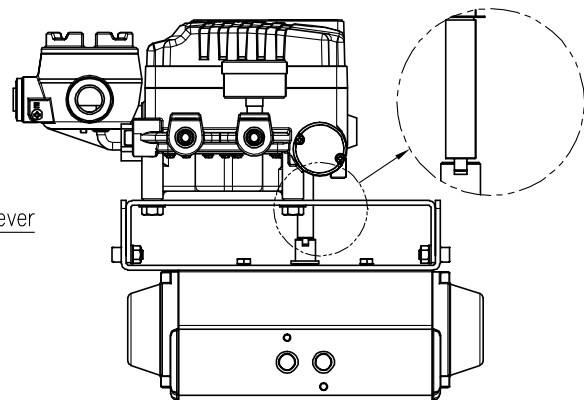


Fig. 4-11: Namur type

4.4.2 Rotary Bracket Information



The rotary bracket set (included with the positioner) contains two components. The bracket is designed to fit onto the actuator with 20 mm, 30 mm and 50 mm stem height (H) according to VDI/VDE 3845 standard. Please refer to below figures how to adjust the height of the bracket.

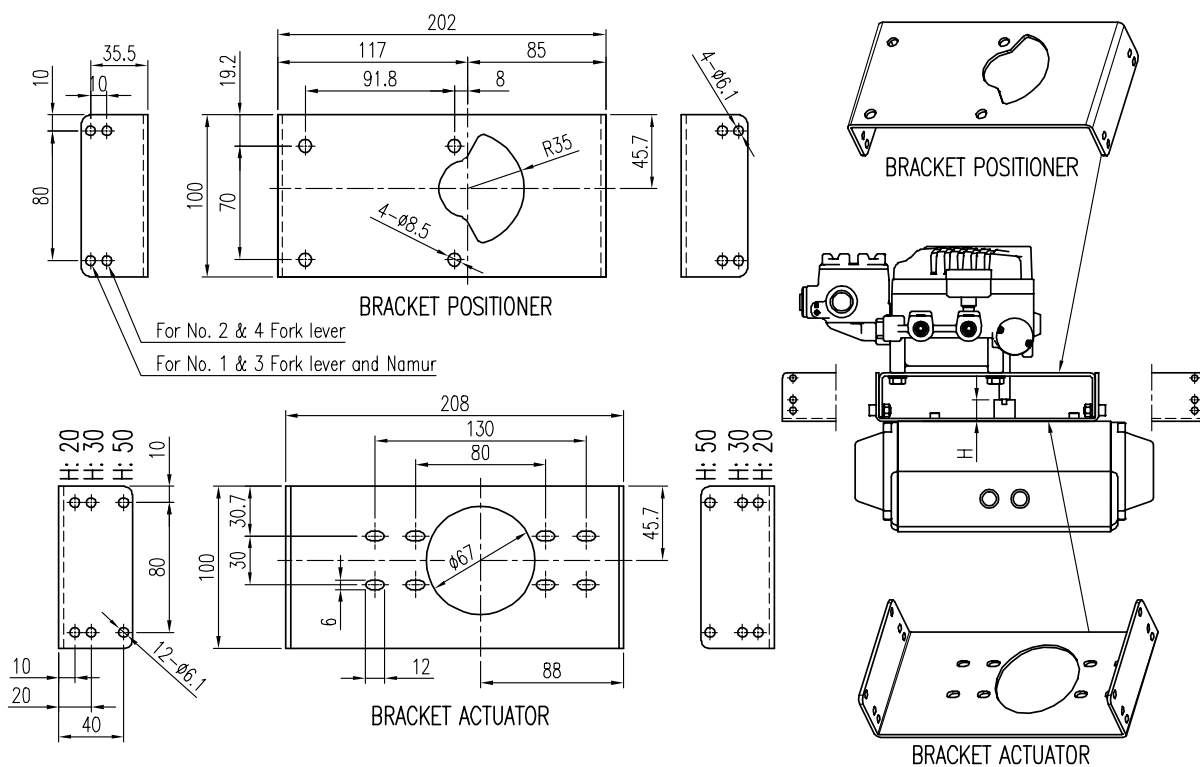


Fig. 4-12: Brackets and positioner

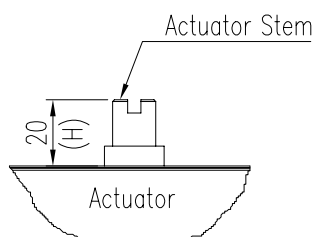


Fig. 4-13: Actuator stem Height

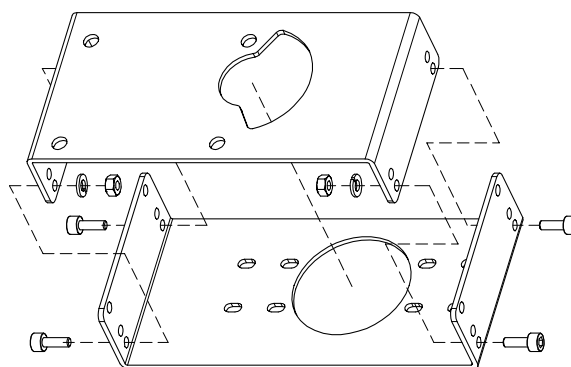


Fig. 4-14: Rotary Brackets Assembly

4.4.3 Rotary positioner Installation Steps

- 1) Please check the actuator's stem height and adjust the brackets by referring to the above bracket figures.
- 2) Attached the brackets onto the actuator. It is recommended to use spring washer so the bolts will not be loosen from vibration.
- 3) Set rotation position of the actuator stem at 0 %. For single acting actuator, it is easy to check 0 % point by supplying no pressure to the actuator. For double acting actuator, check actuator stem's rotation direction – clockwise or counter-clockwise - by supplying pressure to the actuator.
- 4) (Only Fork lever type) Install the fork lever after setting actuator's stem at 0 %. Check the actuator stem's rotation direction – clockwise or counter-clockwise.



Installation angle of the fork lever should be 45° to the longitudinal direction of the actuator.

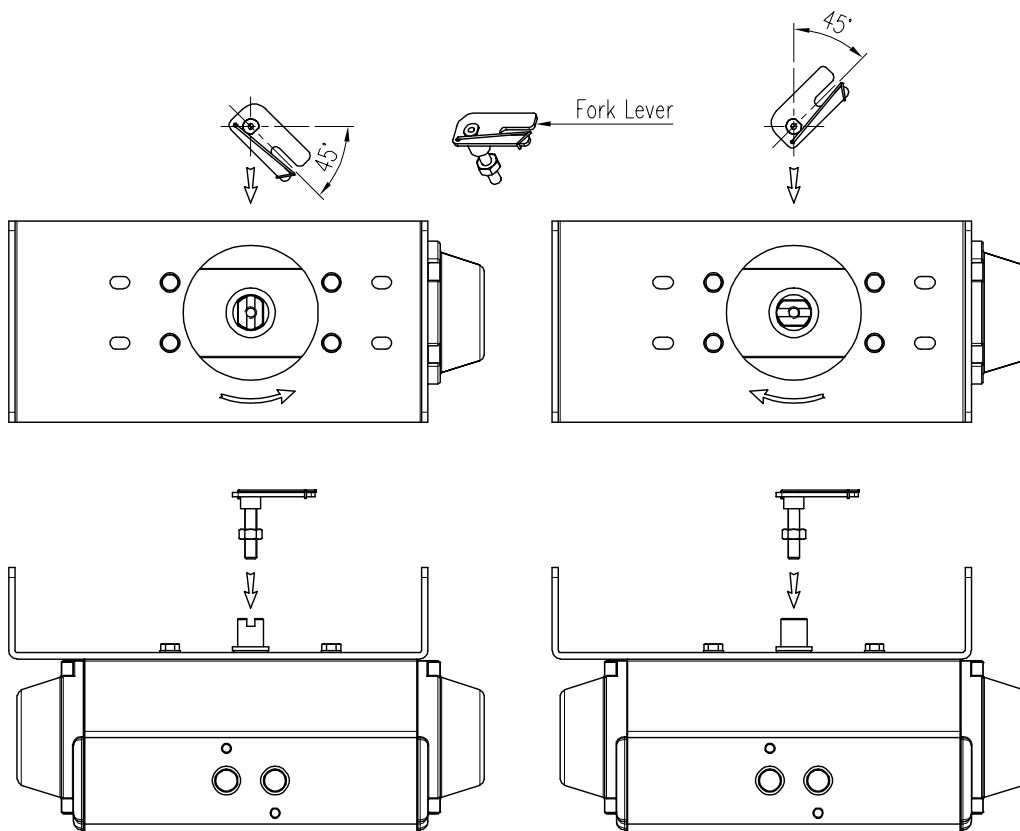


Fig. 4-15: Counter-clockwise and clockwise rotation.



- 5) (Only Fork lever type) After determining fork lever direction, adjust F between the top plate of fork lever and the top face of actuator as below table. Fasten lock nuts which are located on the bottom of the fork lever.

H	F (only No. 1 & 3 fork lever)
20	About 44
30	About 54
50	About 74

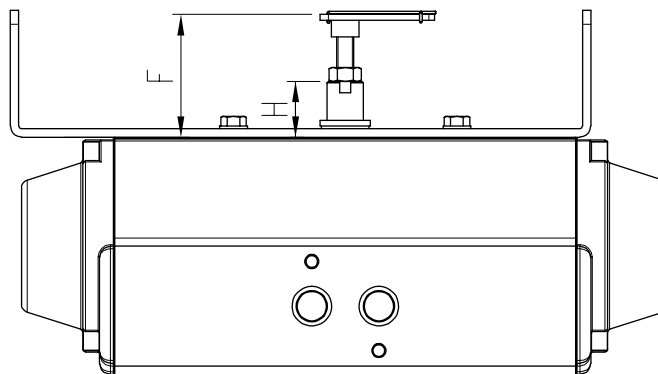


Fig. 4-16: Height of fork lever



- 6) Attach the positioner to the bracket. <Only fork lever type : Fix the clamping pin (5 mm Dia.) into the fork lever slot and insert center pin (2 mm Dia.) of the main shaft of the positioner into the hole of center of the fork lever. The clamping pin will be locked to the fork lever spring.> Setting alignment of center of main shaft of the positioner and center of the actuator's stem is very important. Poor alignment of the main shaft and the actuator's stem decreases the positioner's durability due to unnecessary forces on the main shaft.

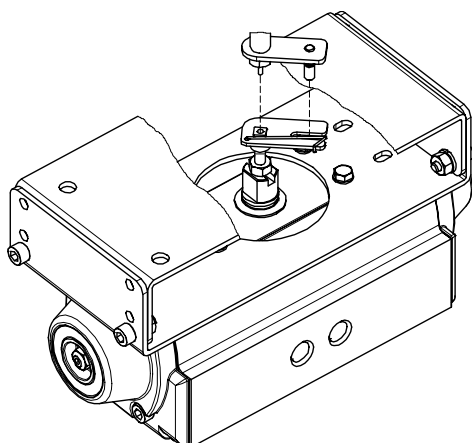


Fig. 4-17: Main shaft center alignment (Fork lever)

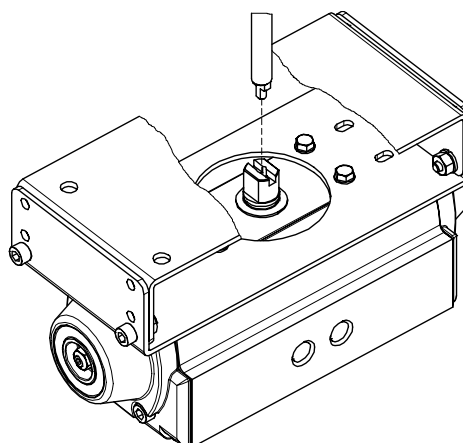


Fig. 4-18: Main shaft center alignment (Namur)

- 7) Tighten the positioner and the bracket with bolts **after checking the positioner's position.**

5 Connection - Air

5.1 Safety

- Supply pressure should be clean and dry air – avoiding moisture, oil and dust.
- Always recommended to use air filter regulator (i.e. YT-200 series).
- Rotork YTC Limited **has not tested positioner's operation with any other gases other than clean air. Please contact Rotork YTC Limited for any questions.**

5.2 Supply Pressure Condition



- Dry air with dew point of at least 10 °C lower than ambient temperature.
- Avoid from dusty air. Use 5 micron or smaller filter.
- Avoid oil.
- Comply with ISO 8573-1 or ISA 7.0.01.
- Supply pressure range is 0.14 ~ 0.7 MPa (1.4 ~ 7 bar)
- Set air filter regulator's pressure level 10% higher than actuator's spring range pressure.

5.3 Piping Condition



- Ensure inside of pipe is clean of obstructions.
- Do not use pipeline that is squeezed or shows any type of damamges.
- Pipeline should have more than 6 mm of inner diameter (10 mm outer diameter) to maintain flow rate.
- The length of pipeline system should not be extremely long. Longer pipeline system may affect flow rate due to the friction inside of the pipeline.

5.4 Connection – Piping with actuator

5.4.1 Single acting actuator

Single acting type positioner is set to use only Out1 port. Out1 port of positioner should be connected with port of actuator when using spring return actuator of single acting type.

As input signal ampere increases, the supply air pressure will be supplied through Out1 port.

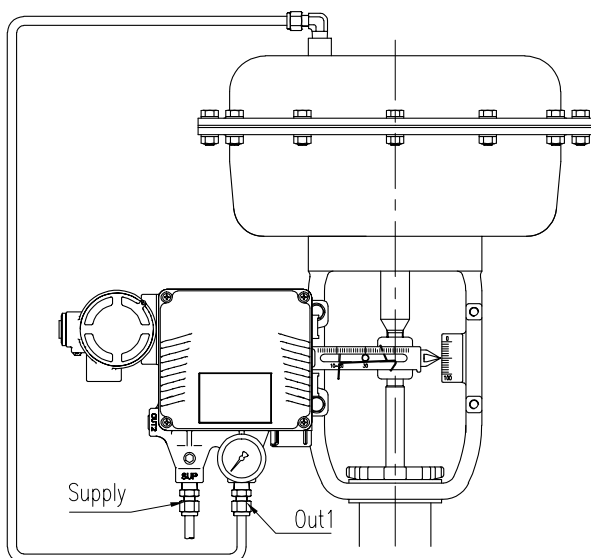


Fig. 5-1: Single acting linear actuator

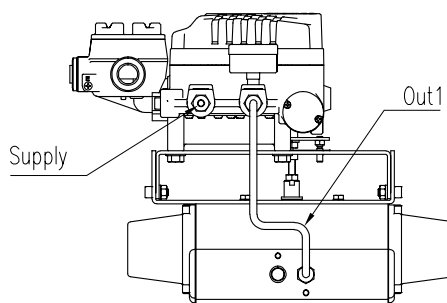


Fig. 5-2: Single acting rotary actuator

Refer to below diagram and check whether if the valve is a “Reverse Acting” or “Direct Acting”. Then connect positioner’s Out1 port to the proper actuator’s port and in case of need, switch the assembly position of the Span (Linear) and Cam (Rotary).

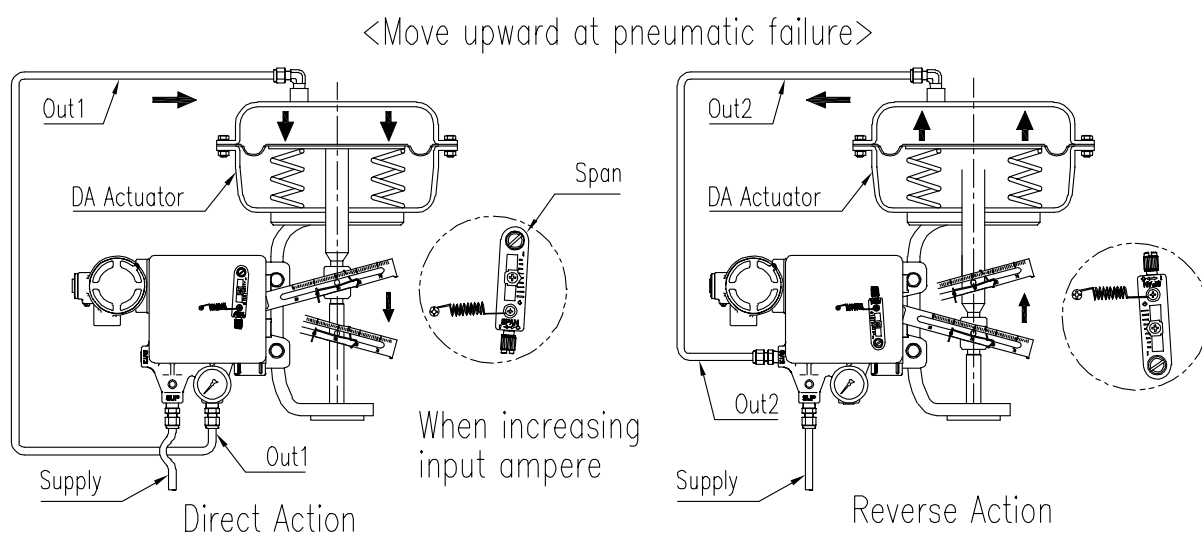


Fig. 5-3: Setting directions of piping and span for linear DA single actuator

<Move downward at pneumatic failure>

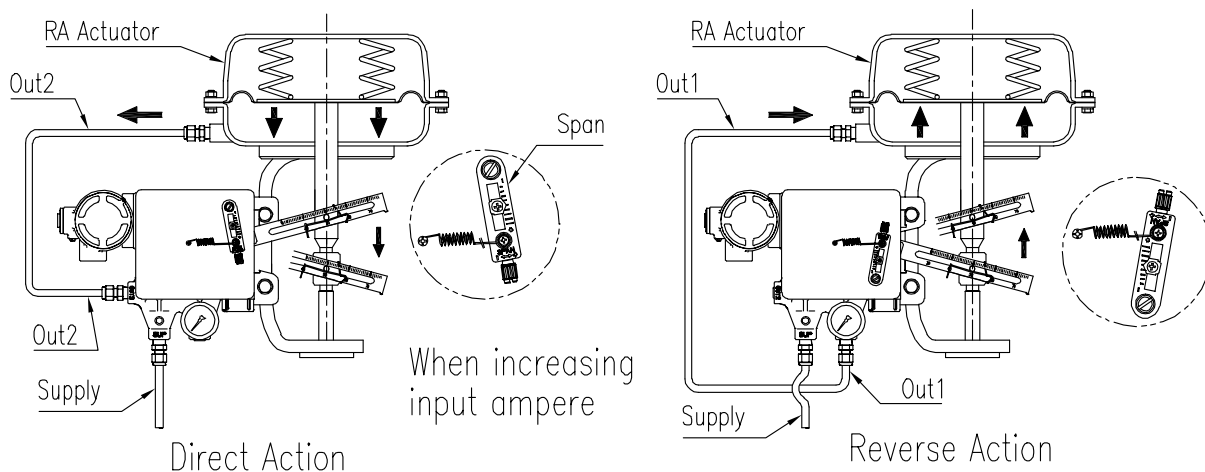


Fig. 5-4: Setting directions of piping and span for linear RA single actuator

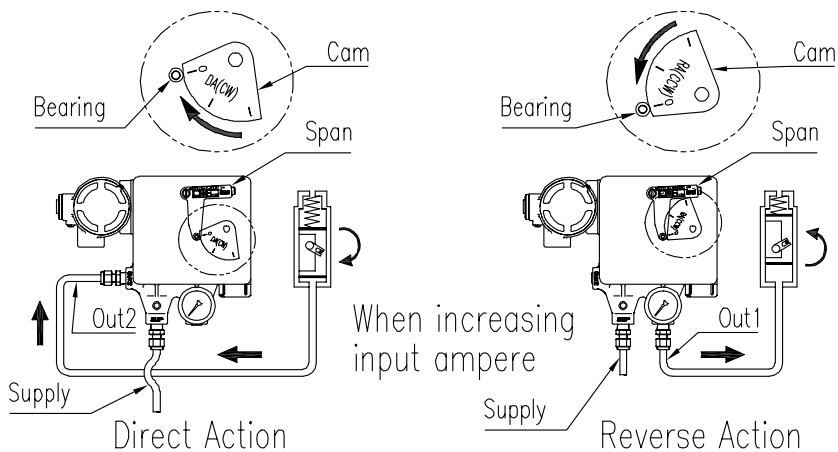


Fig. 5-5: Setting directions of piping and cam for rotary single actuator

5.4.2 Double acting actuator

Double acting type positioner is set to use both Out1 and Out2 port. As input signal increases, the supply pressure will be supplied through Out1 of positioner to actuator and the exhausting air from actuator will be exhausted through Out2 of positioner.

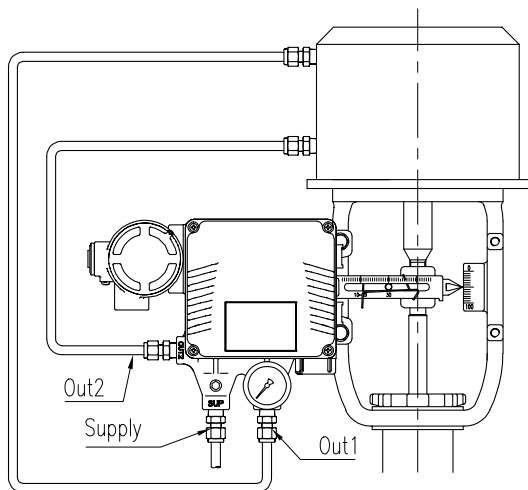


Fig. 5-6: Double acting linear actuator

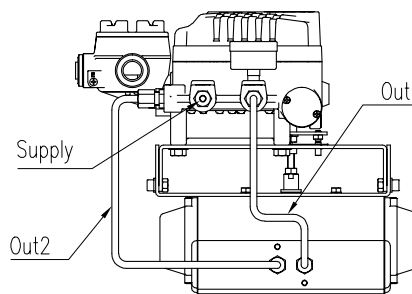


Fig. 5-7: Double acting rotary actuator

Refer to below diagram and check if the valve is a “Reverse Acting” or “Direct Acting”. Then connect positioner’s Out1 port to the proper actuator’s port and in case of need, switch the assembly position of the Span (linear) and Cam (Rotary).

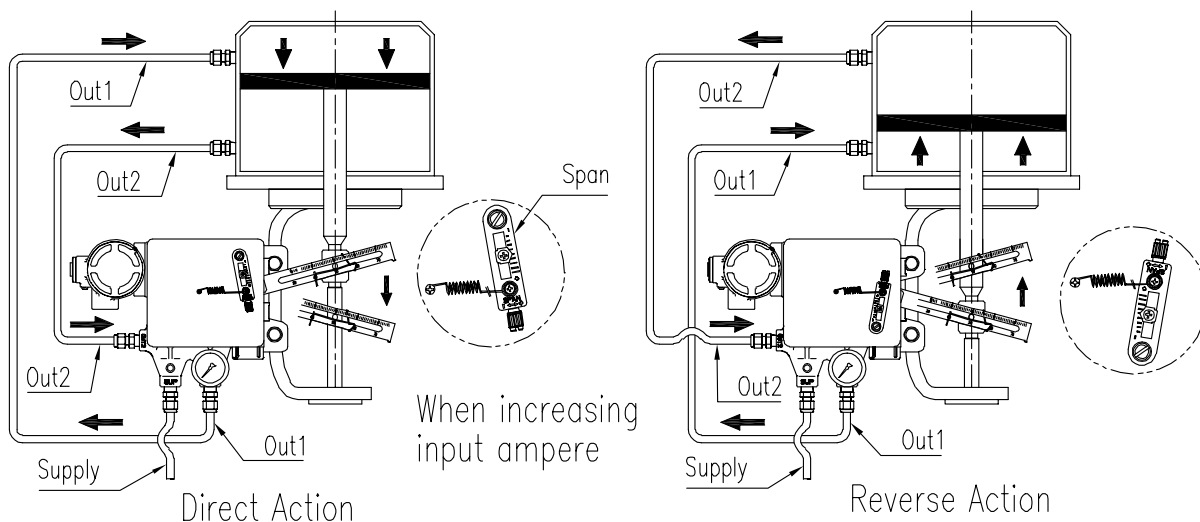


Fig. 5-8: Setting directions of piping and cam for linear double actuator

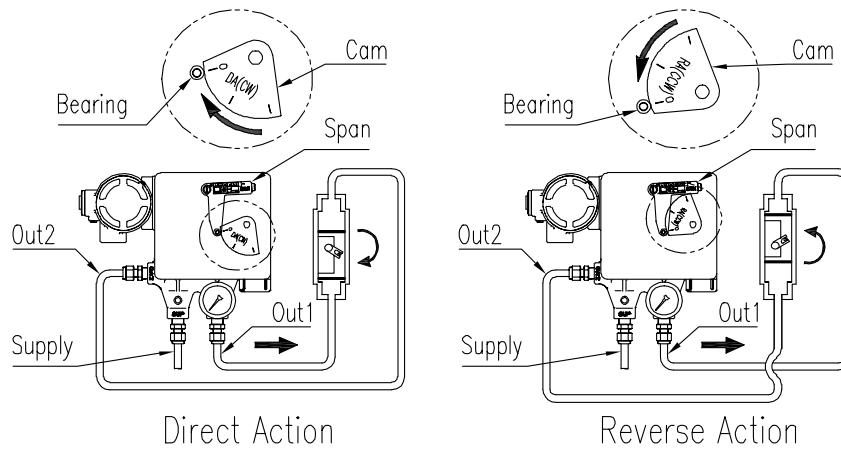


Fig. 5-9: Setting directions of piping and cam for rotary double actuator

6 Connection – Power

6.1 General

- There are one or two conduit entries on the positioner. See “2.4 Product Code for Conduit entry trends.
- Positioner usually uses 4 ~ 20 mA DC.
- Positioner with PTM options must be supplied with 9 ~ 28 V DC separately.
- Positioner should be grounded.
- Please do not install the cable near high noise equipment, such as high-capacity transformer or motor.
- To maintain Type 4X and IP66 rating, when installing threaded conduit, use type PTFE tape according to instructions.

6.2 Flameproof enclosure type

6.2.1 Safety

- When installing in hazardous and explosive gas area, conduit tube or pressure-proof packing union must be used. The compound charging box should be the flameproof type and must be sealed completely.
- Before connecting terminal, ensure that the power is off completely. **Do not open the cover when the power is still alive.**
- Please use ring terminal to protect against vibration or any other external impact.
- Please use twisted cable with conductor section are 1.25 mm² and that is suitable for 600 V (complying with the conductor table of NEC Article 310). The outer diameter of the cable should be between 6.35 ~ 10 mm. Use shield wire to protect against electro-magnetic field and noise.

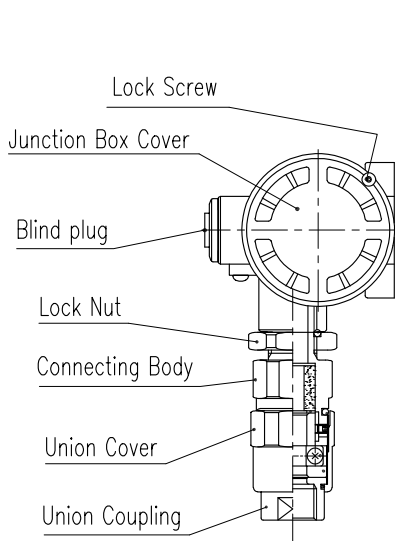


Fig. 6-1: Pressure-proof packing union

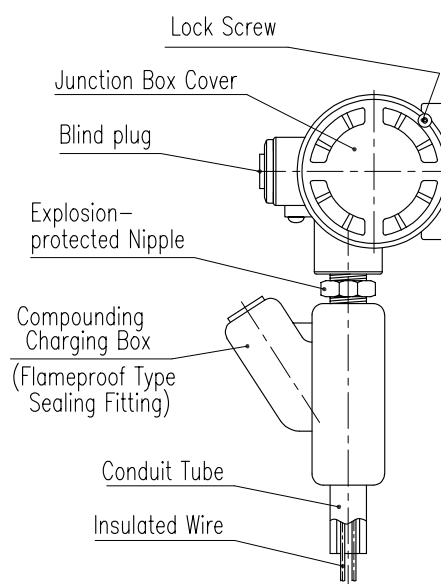


Fig. 6-2: Flame proof type compound charge box

6.2.2 Connection

- 1) Unscrew M3 set screw from the junction box and open the junction box cover.
- 2) Connect external wires with ring terminals to corresponding polarities within the junction box terminal block. To avoid poor contacts, make sure all bolts on the terminal block are tightened.
- 3) Close and fix the junction box cover by tightening all M3 set screws.

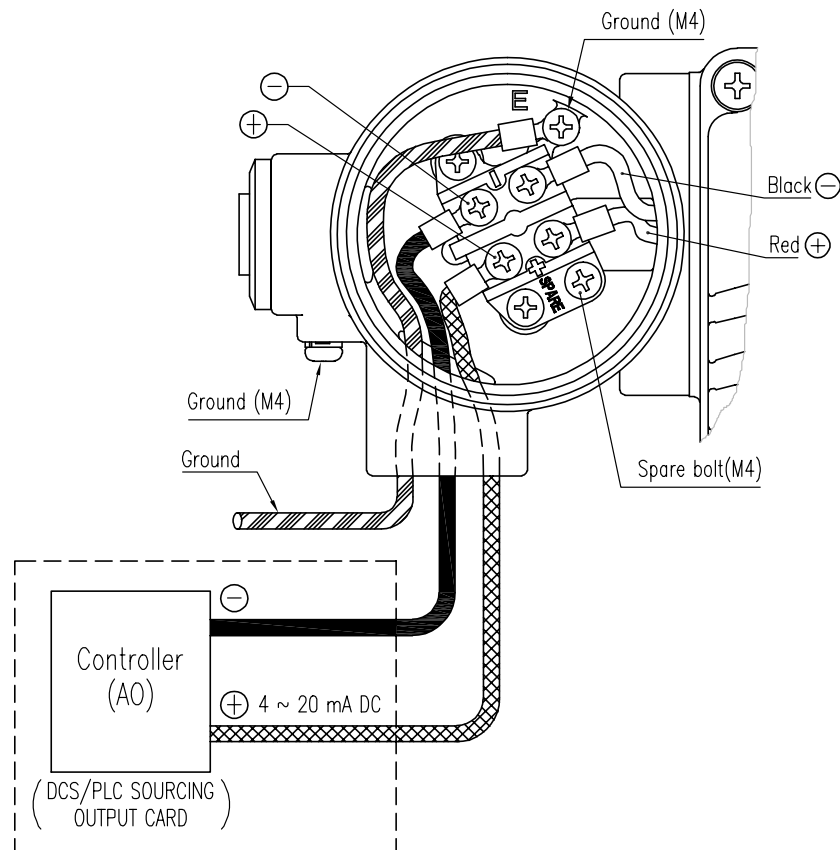


Fig. 6-3: Connecting cables

6.3 Intrinsic safety type

Distinguish Intrinsic safety type circuit from Non-Intrinsic safety type circuit and separate it from any other electric circuits.

6.3.1 Connection

- 1) Open the cover base of the positioner.
- 2) Connect external wires to corresponding polarities on the terminal block located at top left corner.
To avoid poor contacts, make sure all bolts on the terminal block are tightened.

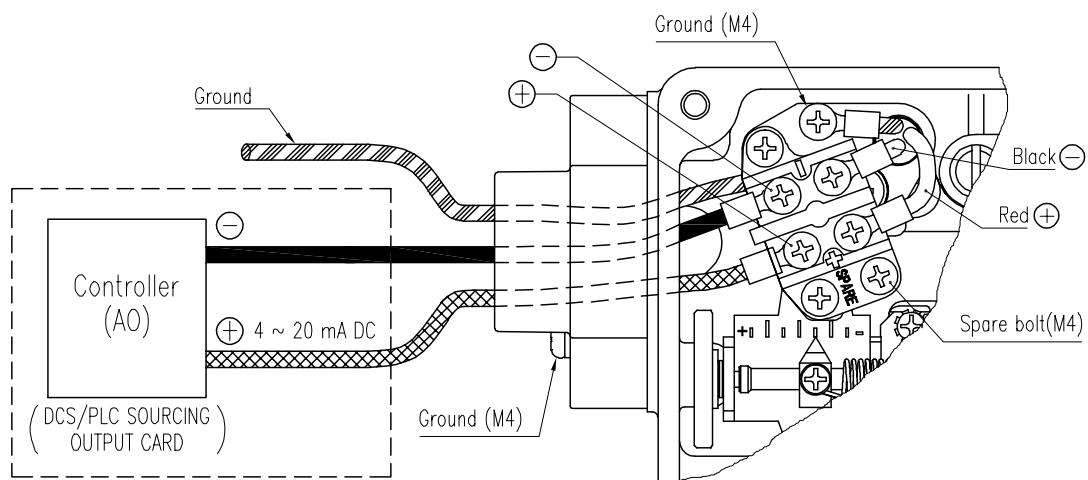


Fig. 6-4: Connecting cables

6.4 Internal SPTM (Without LCD)

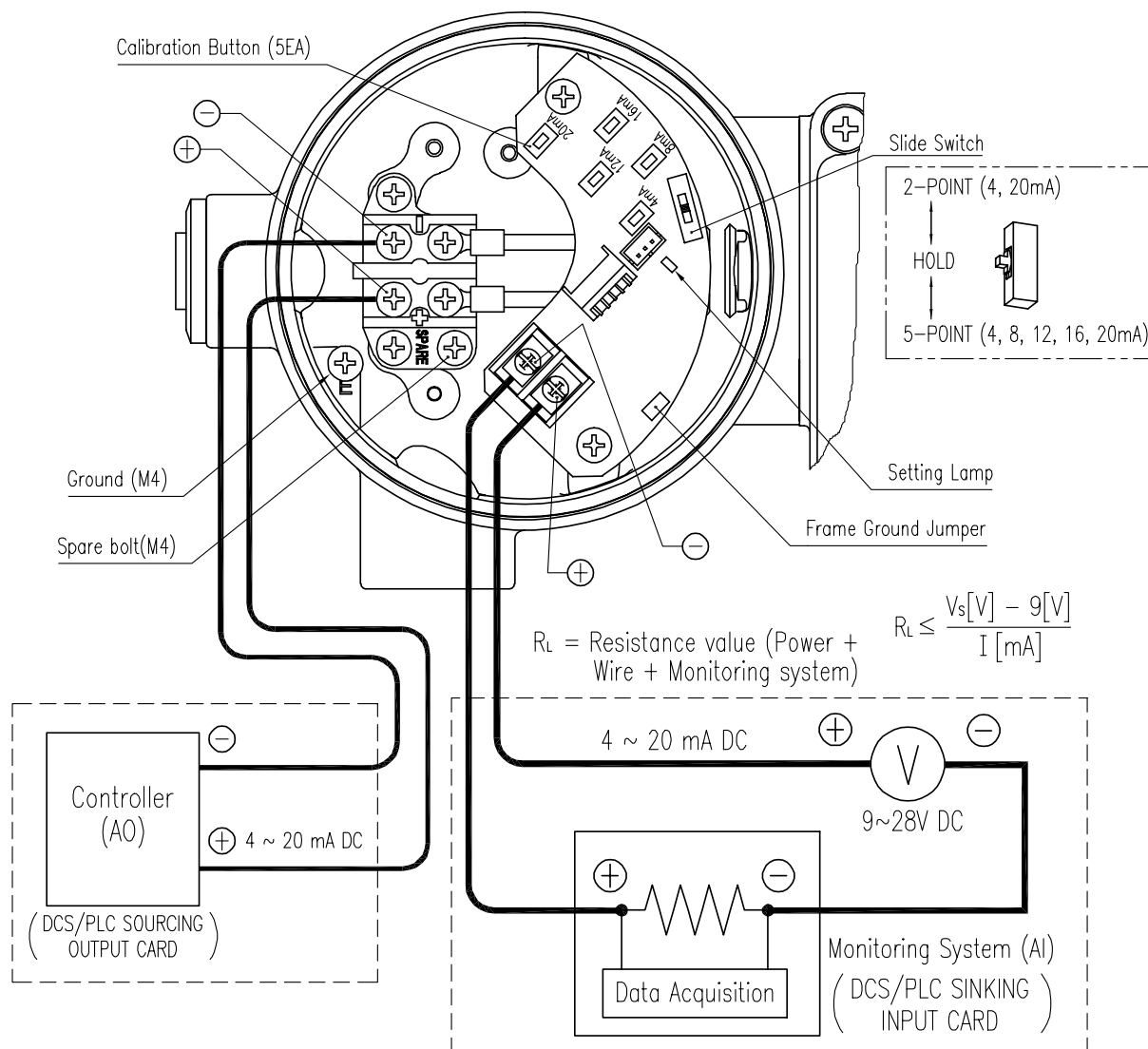


Fig. 6-5: Connecting cables

6.4.1 Slide Switch

(3 point position type, but old type slide switch was 2 point position type.)

Smart Position Transmitter can be calibrated by 2 or 5 points setting. The slide switch has 3 positions as below.

1) 2-Point position:

By setting only zero and end points (0 % and 100 % of valve stroke), the outputs can be set accordingly. When zero and end points are set, 25 %, 50 %, 75 % points are automatically calibrated.

2) 5-Point position:

By setting 5 points (0 %, 25 %, 50 %, 75 %, and 100 %), the outputs can be set accordingly. Different from 2-point setting, 5 point setting allows the end user to set 0 %, 25 %, 50 %, 75 %, 100 % to their desired positions. All 5 points should be set when using this position.

3) Set Off position: (Old PCBs with two position slide switch does not have this position.)

If the slide switch is in this position, calibration setting cannot be adjusted. This position is used to prevent the set-values from changing when the user mistakenly press the buttons after calibration has been completed. Only calibration setting is restricted from this position and all other adjustments can be done.

6.4.2 Buttons

Smart Position Transmitter has 5ea buttons

1) 4mA button:

The button is used when setting 0 % position of full stroke during calibration. Position the valve at 0 %, press and hold the button for 2 seconds and the lamp will flash twice quickly. Release the button, and then the lamp will flash three times quickly again to confirm that the new setting has been saved.

2) 8mA button :

The button is used when setting 25 % position of full stroke during calibration. Position the valve at 25 %, press and hold the button for 2 seconds and the lamp will flash twice quickly. Release the button, and then the lamp will flash three times quickly again to confirm that the new setting has been saved.

3) 12mA button:

The button is used when setting 50 % position. Position the valve at 50 %, press and hold the button for 2 seconds and the lamp will flash twice quickly. Release the button, and then the lamp will flash three times quickly again to confirm that the new setting has been saved.

4) 16mA button:

The button is used when setting 75 % position of full stroke during calibration. Position the valve at 75 %, press and hold the button for 2 seconds and the lamp will flash twice quickly. Release the button, and then the lamp will flash three times quickly again to confirm that the new setting has been saved.

5) 20mA button:

The button is used when setting 100 % position of full stroke during calibration. Position the valve at 100 %, press and hold the button for 2 seconds and the lamp will flash twice quickly. Release the button, and then the lamp will flash three times quickly again to confirm that the new setting has been saved.

6.5 Internal SPTM (With LCD)

- Refer to product manual of SPTM-6V or SPMT-5V to calibrate the position transmitter.

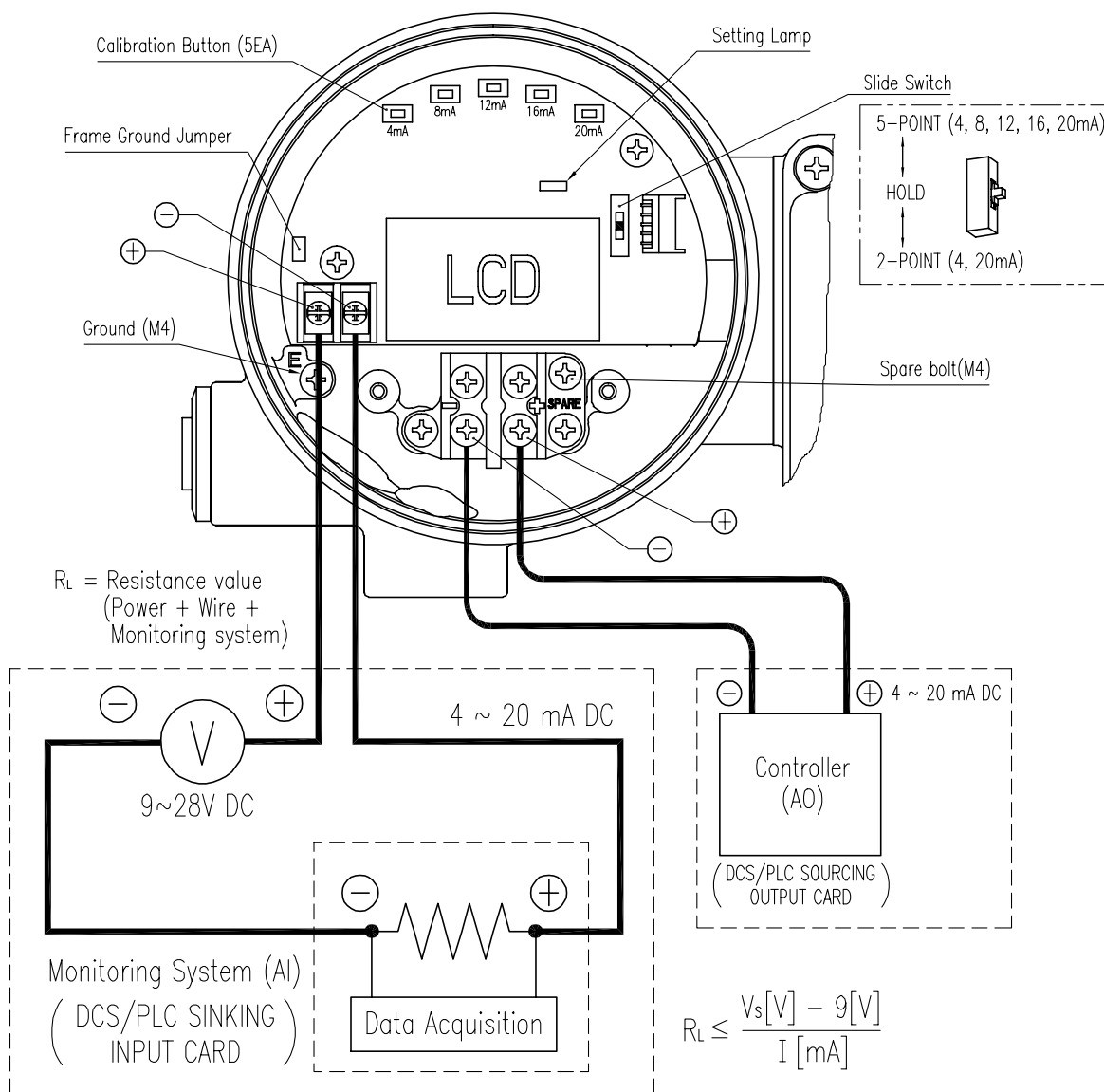


Fig. 6-6: Connecting cables

6.6 Internal L/S + SPTM (Without LCD)

- Refer to above 6.4.1 and 6.4.2 to calibrate the position transmitter.

* Micro Switch Rating

OMRON V-165-1A5 (Standard)	OMRON SS-5GL (Special)
AC 250V 16A	AC 125V 5A
DC 125V 0.6A	AC 250V 3A
DC 250V 0.3A	

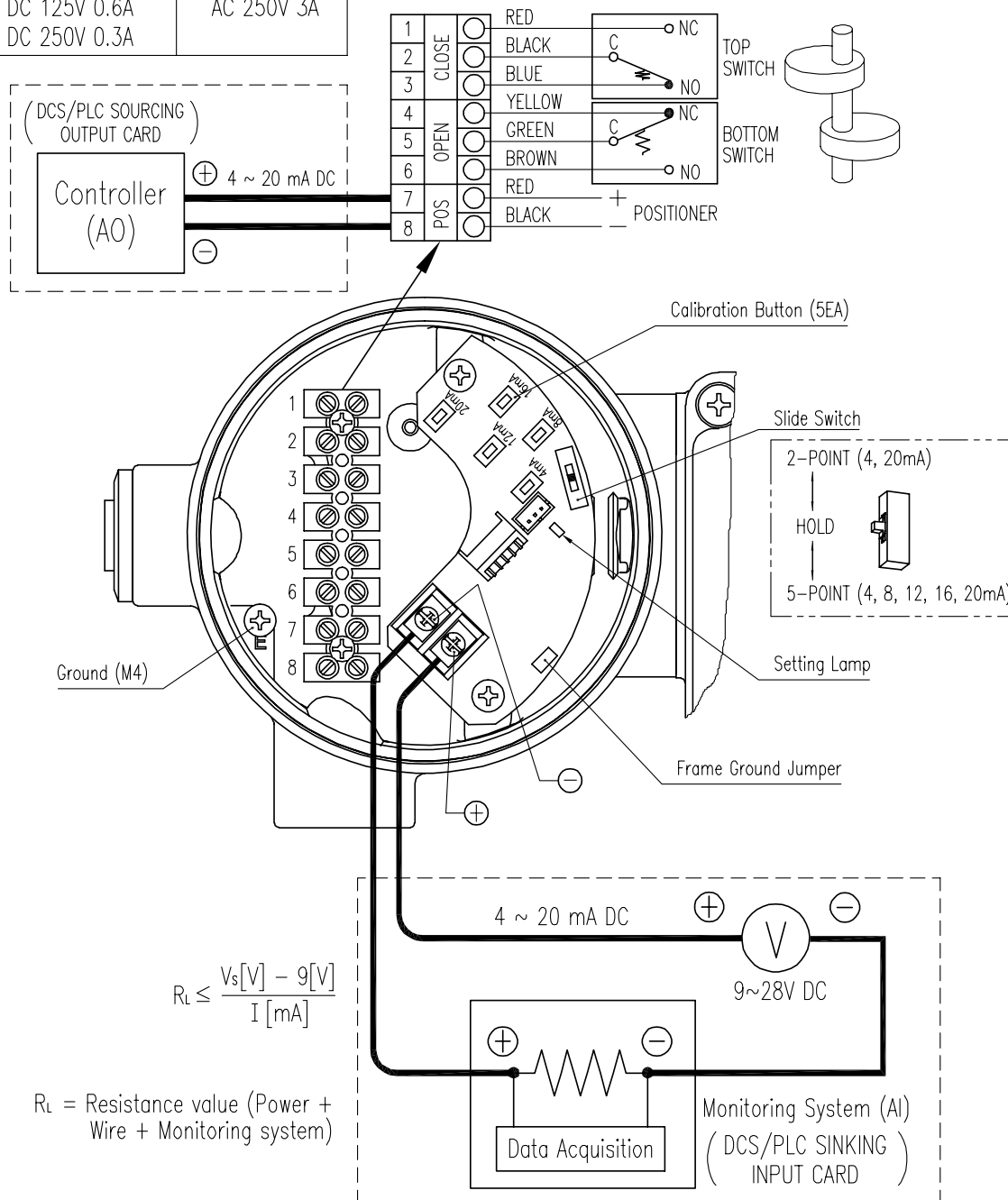


Fig. 6-7: Connecting cables

7 Adjustments

7.1 Ra or Da Setting

7.1.1 Linear Positioner

- 1) If the actuator axis moves down when input signal is increased, assemble the "Span" to upper M6 Tap hole like the below figure.(DA)

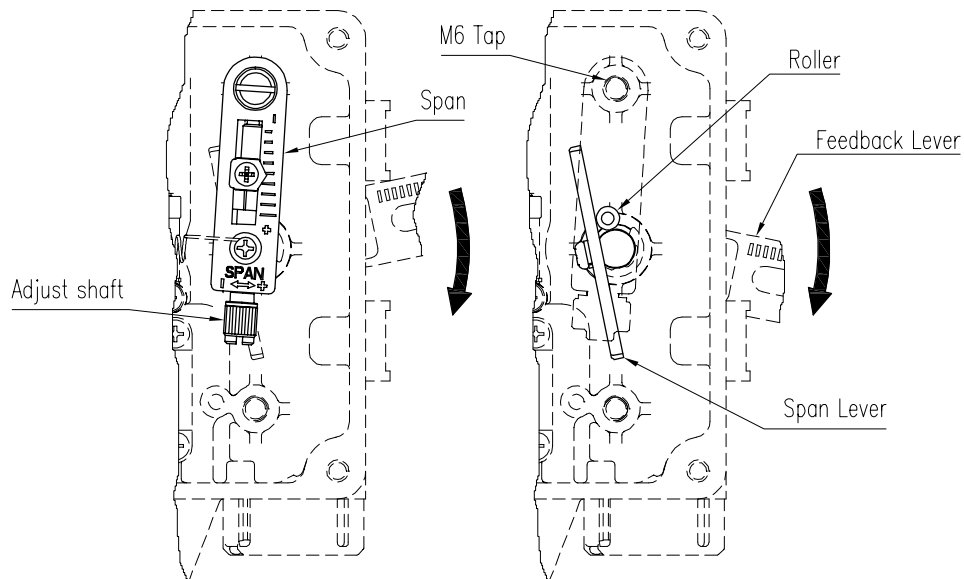


Fig. 7-1: Span Installation (DA)

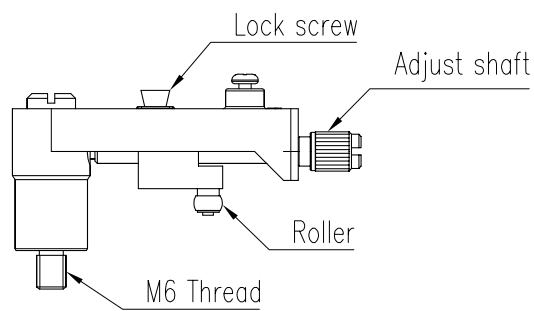


Fig. 7-2: Linear span assembly

- 2) If the actuator axis moves up when input signal is increased, assemble the “Span” to lower M6 Tap hole like the below figure.(RA)

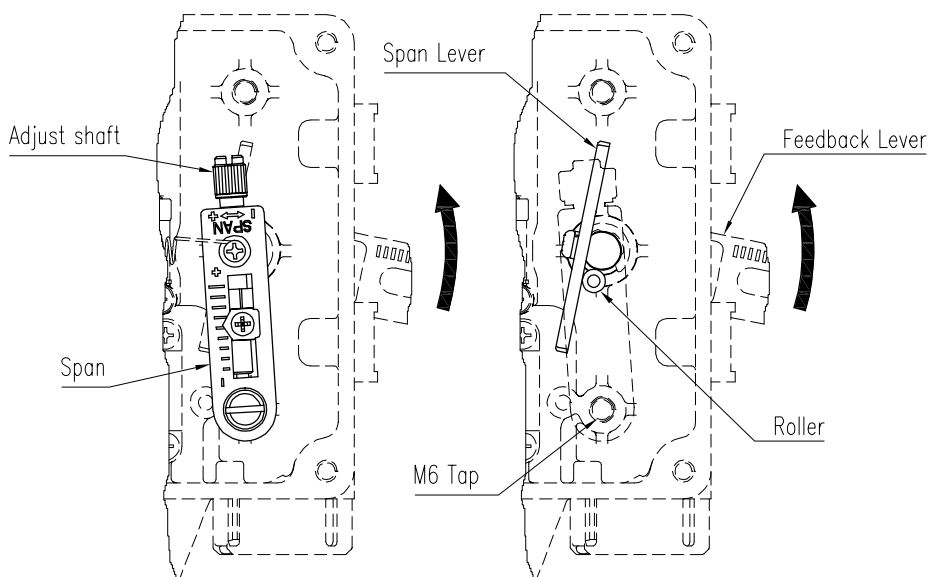


Fig. 7-3: Span Installation (RA)

7.1.2 Rotary positioner

- 1) If the actuator axis rotates clockwise when input signal is increased, in case of need, re-assemble the CAM so that “DA(Direct Acting)” lettered surface is facing upward.
- 2) If the actuator axis rotates counter-clockwise when input signal is increased, in case of need, re-assemble the CAM so that “RA(Reverse Acting)” lettered surface is facing upward.
- 3) Position the actuator to initial point.
- 4) Adjust the CAM so that the engraved CAM reference line marked with “0” is placed in the center of the span bearing and fix it by tightening the nut.

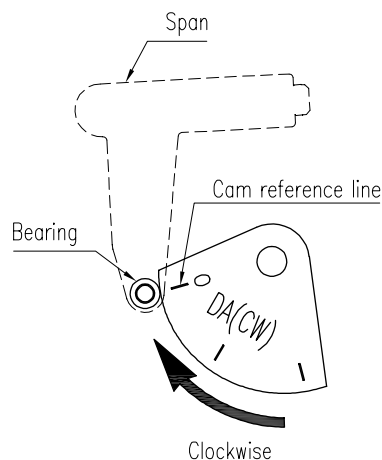


Fig. 7-4: Cam Installment (Da)

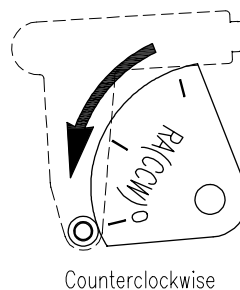


Fig. 7-5: Cam Installment (Ra)

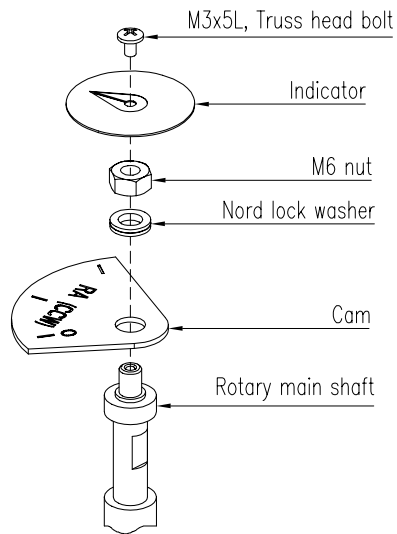


Fig. 7-6: Parts (Standard)

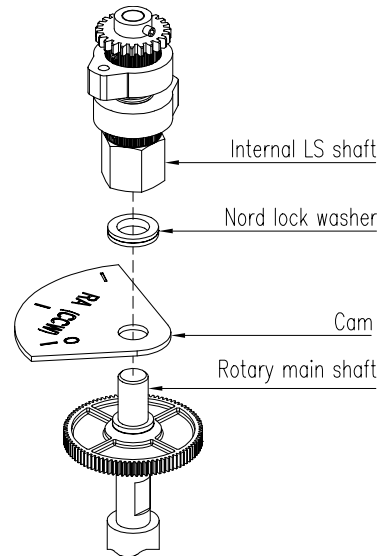


Fig. 7-7: Parts (LS internal)

7.2 Adjustment - Zero Point

Set input signal at 4 mA (or 20 mA) as the initial ampere and rotate the adjuster of zero unit handle upward or downward to adjust actuator's zero point. Please refer to the below figure to increase or decrease the zero point.

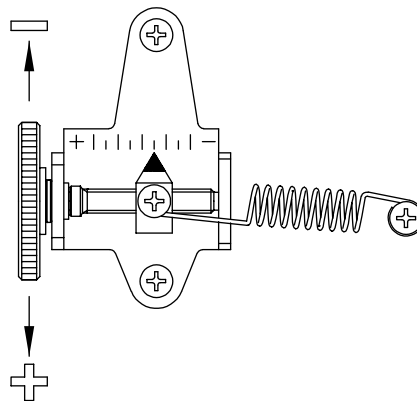


Fig. 7-8: Zero unit

7.3 Adjustment - Span

- 1) After setting zero point, supply input signal at 20 mA (or 4 mA) as the end ampere and check the actuator stroke. If the stroke is too low, the span should be increased. If the stroke is too high, the span should decrease.
- 2) Changing span will affect zero point setting so zero point should be set again after span has been adjusted.
- 3) Above two steps are required several times until both zero and span are properly set.
- 4) After proper setting, tighten lock screw.

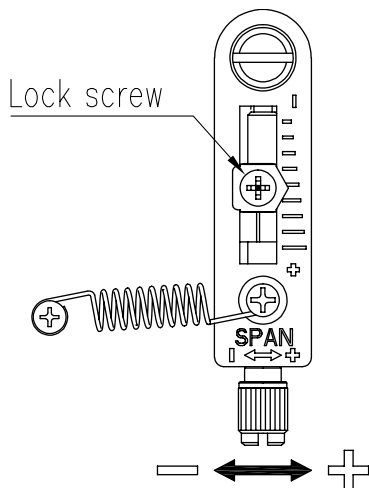


Fig. 7-9: Linear span unit

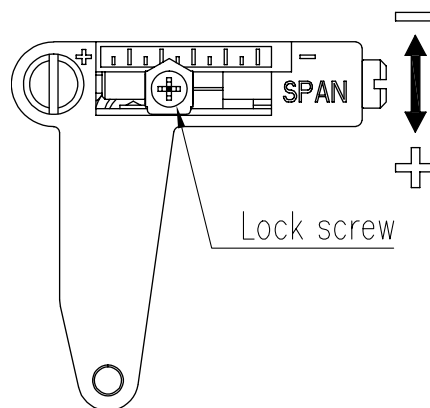


Fig. 7-10: Rotary span unit

7.4 Adjustment – L/S (Limit Switch, Internal, Option)

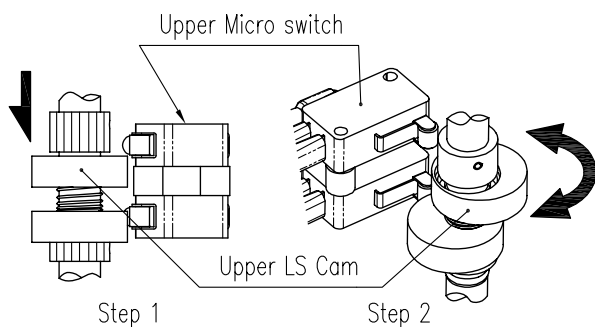


Fig. 7-11: Setting Upper switch

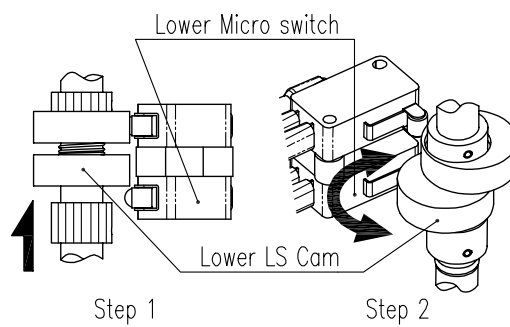


Fig. 7-12: Setting Lower switch

7.5 Adjustment – A/M switch (Auto/Manual)

- 1) Auto manual switch is on the top of pilot unit. Auto manual switch allows the positioner to be functioned as by-pass. If the counter-clockwise (toward “M”, Manual), it is loosened, then the supply pressure will be directly supplied from out1 port of positioner to the actuator regardless of input signal ampere. On the other hand, if the switch is turned clockwise (toward “A”, Auto) and it is fasten tightly, then the positioner will operate normally by input signal ampere. It is extremely important to check the allowed pressure level of the actuator when the switch is loosened.
- 2) Check whether the supply pressure is too high.
- 3) After using “Manual” function, auto manual switch should be returned to “Auto”.

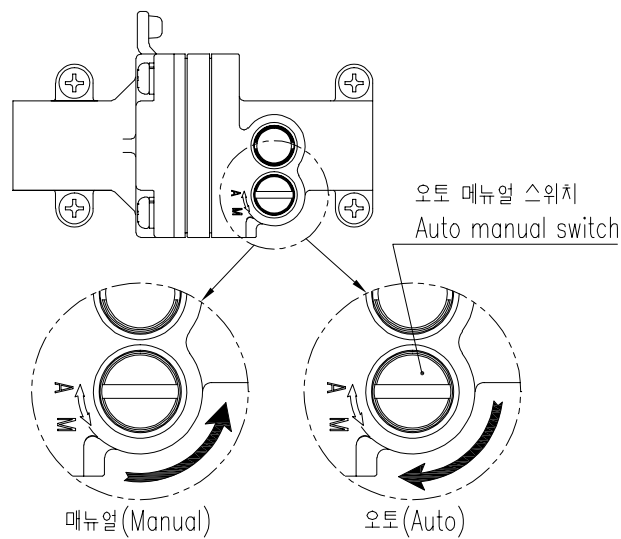


Fig. 7-13: A/M switch adjustment

7.6 Orifice Installment

If the actuator size is too small relative to the flow rate of positioner, hunting can occur. In order to avoid hunting, the orifices can be installed in the outports of the pilot.

- 1) Separate the pilot unit from the positioner.
- 2) Separate the o-rings from out1 and out2 ports, and insert the orifices. Before re-assemble the o-rings, please make sure there is no remaining dust or particles on the ports.
- 3) Standard diameter of the orifice hole are 1 mm. 2 mm diameter orifice can be ordered.

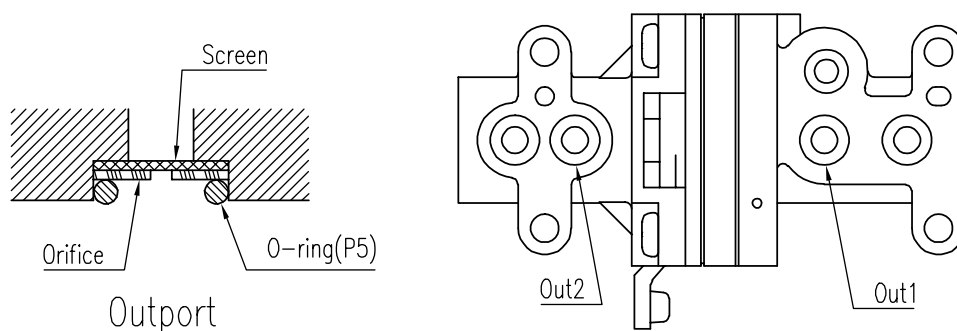


Fig. 7-14: Installing orifices

7.7 Reset – Potentiometer

External damage or physical shock can dislocate potentiometer from factory setting. Potentiometer must be re-calibrated when dislocation of the potentiometer or after cam adjustment. Please refer below instructions and figures.

- 1) Please set actuator position to 50 % of the valve stroke. Please make sure that the actuator does not move during the re-calibration.
- 2) In the junction box, Please pull out the potentiometer cable connector from potentiometer PCB. Do not pull out with too much force as wires can be damaged.
- 3) On the potentiometer cable connector, there are three holes. Out of three holes, please measure resistance level by plugging two hole (one of right or left and one of center) using a resistance tester. The potentiometer resistance level should be within 0 ~ 10 k Ω (Rotary positioner) and within 0 ~ 5 k Ω (Linear Positioner) during full stroke of the actuator.
- 4) Using “+” screw driver, loosen potentiometer stopper bolt. Do not loosen completely.
- 5) Pull out the potentiometer a little and gear of the potentiometer will be separated from main shaft gear. This will make user to turn the gear of the potentiometer.
- 6) Since current actuator position is 50% of the valve stroke, the resistance level should be measured around 5 k Ω (4.8 ~ 5.2 k Ω) at rotary positioner and 2.5 k Ω (2.4 ~ 2.6 k Ω) at linear positioner by turning gear of potentiometer.
- 7) After the setting, assemble back the stopper and the bolt.

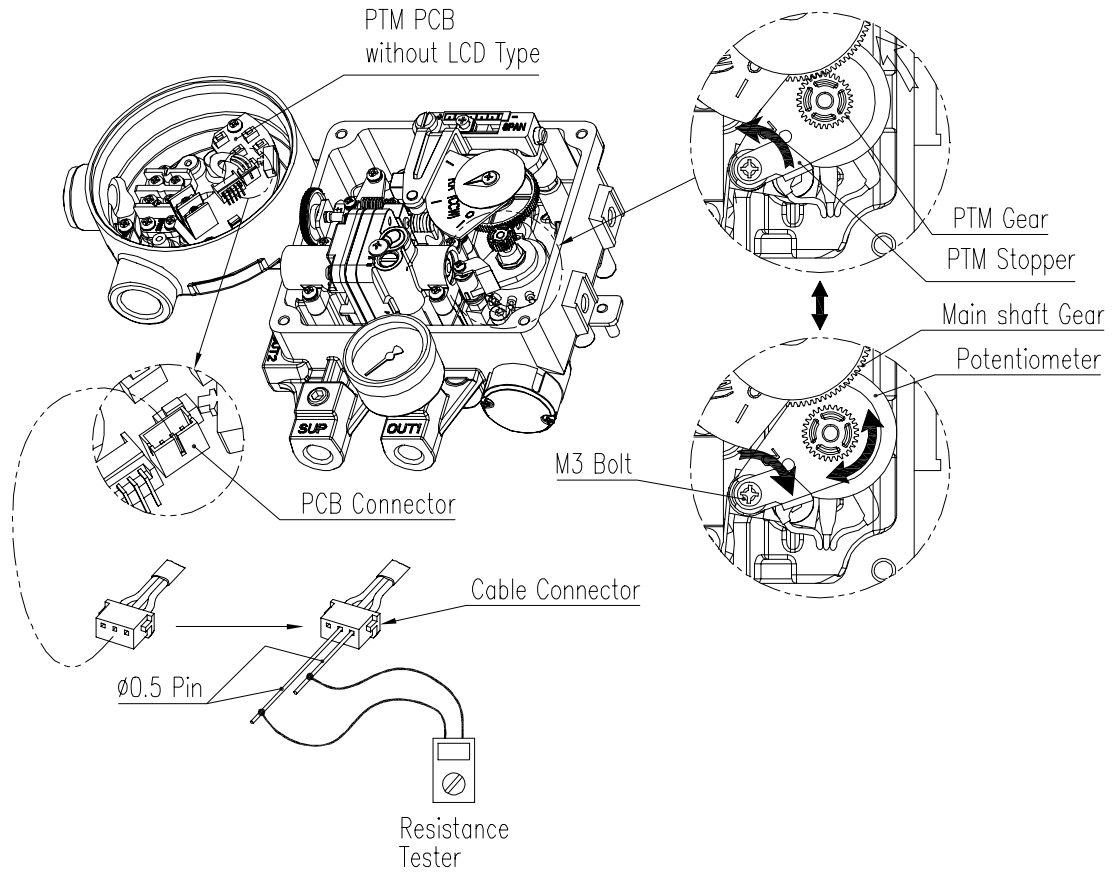


Fig. 7-15: Resetting resistance of potentiometer (without LCD)

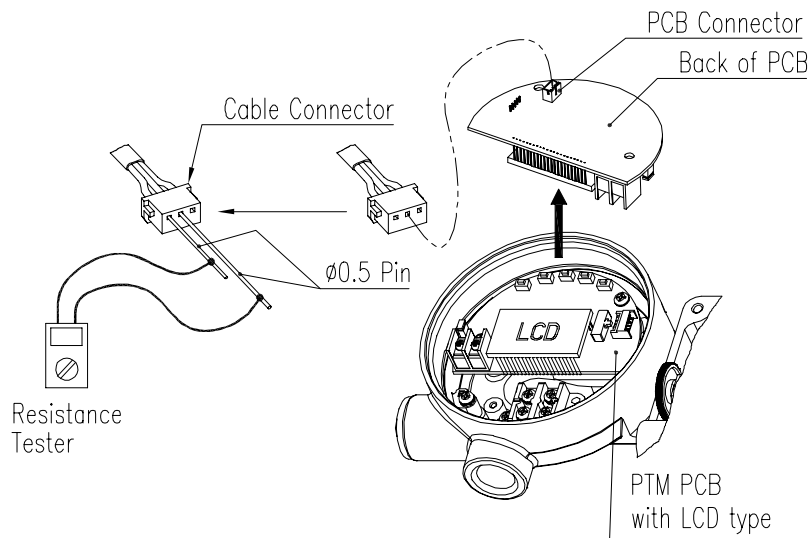


Fig. 7-16: Resetting resistance of potentiometer (with LCD)

7.8 Span spring for split range Replacement

If you want to change the normal control of positioner into split range control (by 4 ~ 12 mA or 12 ~ 20 mA), please order the split range control span spring from your local dealer and replace the existing span spring.

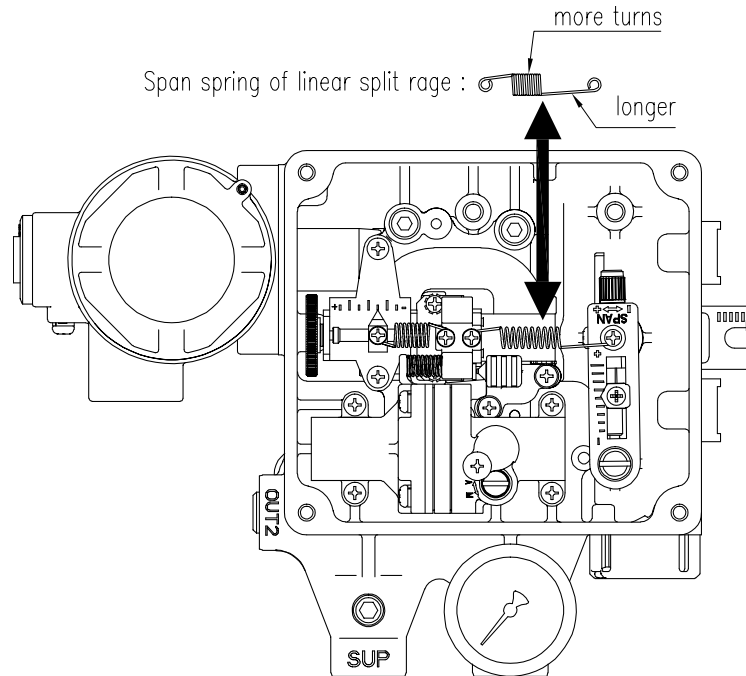


Fig. 7-17: Linear positioner

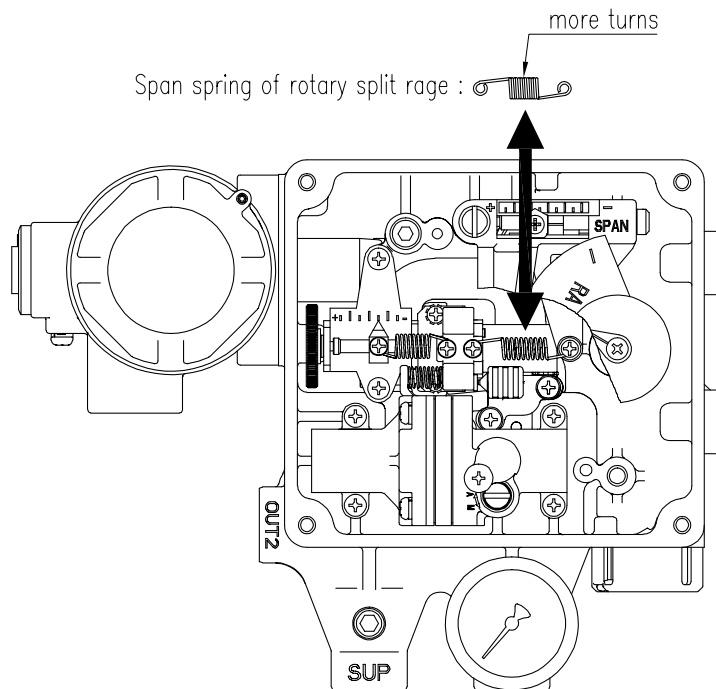


Fig. 7-18: Rotary positioner

8 Maintenance

8.1 Pilot valve

- 1) If Supply air pressure is not stable or Supply air is not clean, the positioner may not function properly. Air quality and pressure should be checked regularly to see if the air is clean and pressure set is normal.
- 2) If the pilot valve has to be removed from the unit, be cautious not to lose the O-ring attached to rear side of the pilot valve and the stabilizing spring between the pilot valve and the torque motor.
- 3) On the back of the Auto Manual switch, there is a fixed orifice (0.3 pie) which could be clogged with dusts and other substances and lead to malfunction of the positioner. First of all, remove the pilot valve from the positioner and see if the holes on the screens are not clogged. If the screens are clean and the positioner is not functioning, remove the Auto-Manual switch and check the back of the switch and see if the orifice is clean. Clean the orifice with air and reassemble the switch and the pilot valve to the positioner and test once again. If the unit is still not working, use a 0.2 pie drill or pin and insert into the orifice hole at the back of the Auto-Manual switch.



Fig. 8-1: Pilot unit and Auto manual switch

8.2 Seals

Once a year, it is recommend to check if there are any damaged parts of the positioner. If there are damaged rubber parts such as diaphragms, o-rings and packings, replace with new ones.

9 Troubleshooting

- **Positioner does not respond to the input signal.**
 - 1) Check supply pressure level. The lever must be at least 0.14 MPa(1.4 bar). For spring-return type of actuator, the supply pressure level has to be larger than the spring's specification.
 - 2) Check if input signal is properly supplied to the positioner. The signal should be 4 ~ 20 mA DC.
 - 3) Check if zero point or span point is properly set.
 - 4) Check if the positioner's nozzle has been blocked. Also, check if the pressure is supplied to the positioner and pressure is being exhausted through the nozzle. If the nozzle has been block by any substances, please send the product for repair.
 - 5) Check if feedback lever has been installed properly.

- **The pressure of Out1 reaches Supply pressure level and does not come back down.**
 - 1) Check auto manual switch. If the switch has been damaged, replace the switch or pilot relay valve.
 - 2) Check for a gap or damages between the nozzle and the flapper. If damaged, please send the product to the corresponding local Rotork YTC Limited office or main office in South Korea for repair.

- **The pressure is exhausted only by Auto manual switch.**
 - 1) Check if the positioner's nozzle has been blocked. Also, check if the pressure is supplied to the positioner and the pressure is being exhausted through the nozzle. If the nozzle has been blocked by any substances, please send the product to the corresponding local Rotork YTC Limited office or main office in South Korea for repair.

- **Hunting occurs.**
 - 1) Check if stabilizing spring has been displaced. (Next to Pilot unit)
 - 2) Check if the size of actuator is too small. If so, insert an orifice in order to reduce the pressure flow rate.
 - 3) Check if there is any friction between the valve and the actuator. If so, increase actuator's size or reduce the friction level.

- **The actuator moves only to full open and full close positions.**
 - 1) Check if Span or Cam of the positioner is installed correctly corresponding to direct or reverse acting of the actuator. If not, refer to 7.1.1 or 7.1.2 section.

➤ **Linearity is too low.**

- 1) Check if linear positioner is properly positioned. Especially check if the feedback lever is parallel to the ground at 50 % point.
- 2) Check if zero and span point have been properly adjusted. If either one of values is being adjusted, another one must be re-adjusted as well.
- 3) Check if supply air pressure level is stable from the regulator. If the level is unstable, the regulator must be replaced.

➤ **Hysteresis is too low.**

- 1) In case of double acting actuator, check if seat adjustment has been properly performed. Please contact YTC for any further inquiries regarding the seat adjustment.
- 2) Backlash can occur when the feedback lever and lever spring are loosen. To avoid backlash, please adjust the lever spring.
- 3) Check if the connection bar to the feedback lever is tightly fastened.

Manufacturer: Rotork YTC Limited

Address: 81, Hwanggeum-ro, 89 Beon-gil, Yangchon-eup, Gimpo-si, Gyeonggi-do, South Korea

Postal code: 10048

Tel: +82-31-986-8545

Fax: +82-70-4170-4927

Email: ytic.sales@rotork.com

Homepage : <http://www.ytc.co.kr>

Issued : 2022-12-07

Copyright © Rotork YTC Limited. All Rights Reserved.