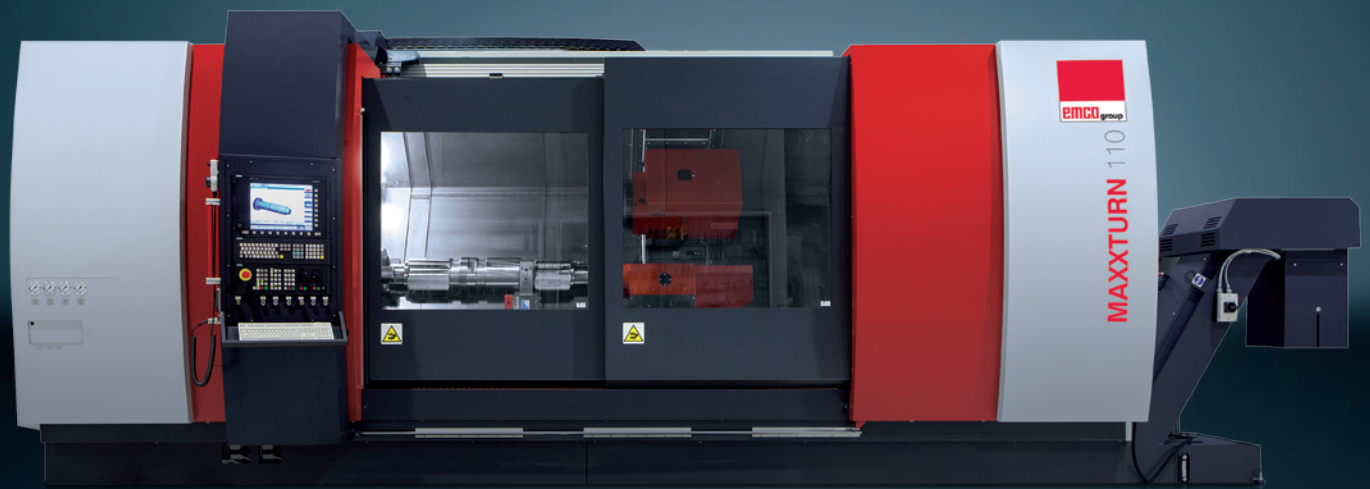


**emco** group

Designed for your profit



# EMCO MAXXTURN 110

Universal CNC turning center for  
machining shafts and chuck parts

**TURNING**  
EMCO-WORLD.COM

# EMCO MAXXTURN 110

Maxxturn 110 is suitable for part lengths of up to 3500 mm and a turning diameter of 610 mm and can handle turning and milling operations involving heavy machining as perfectly as machining of precision parts with highest surface quality. A highly accurate C-axis, a stiff Y-axis with large movement path and high rapid traverses complete the performance package.

## 1 CONTROL UNIT

- Ergonomic, pivotable and slidable
- Sinumerik 840D sl with 22" color monitor
- Comprehensive machining cycles
- 3D simulation
- USB interface, 230V power socket
- Emconnect process control center

## 2 WORK AREA

- 3 bed lengths
- Optimum access with 60° inclined bed and machine design
- Maximum flexibility with multiple turret concepts

## 3 MACHINE BED

- Widely spaced guide ways
- Large dimensioned Roller-type guide ways
- Highest solidity
- Maximum pre-load guarantees rigidity in several cutting load directions

## 4 STEADY REST SYSTEM

- Tag along steady rest in various sizes
- Optional: NC steady rest or tandem steady rest
- Easy to remove
- Sealing air, cover and flushing included in the standard-version
- Optional: Programmable pressure setting

## 5 Y AXIS

- Travel -80 / +100 mm (-3.1 / +9.4")
- 90° implemented in the machine construction
- Large distance between guides
- Stable and compact construction, without restrictions

## 6 CHIP CONVEYOR

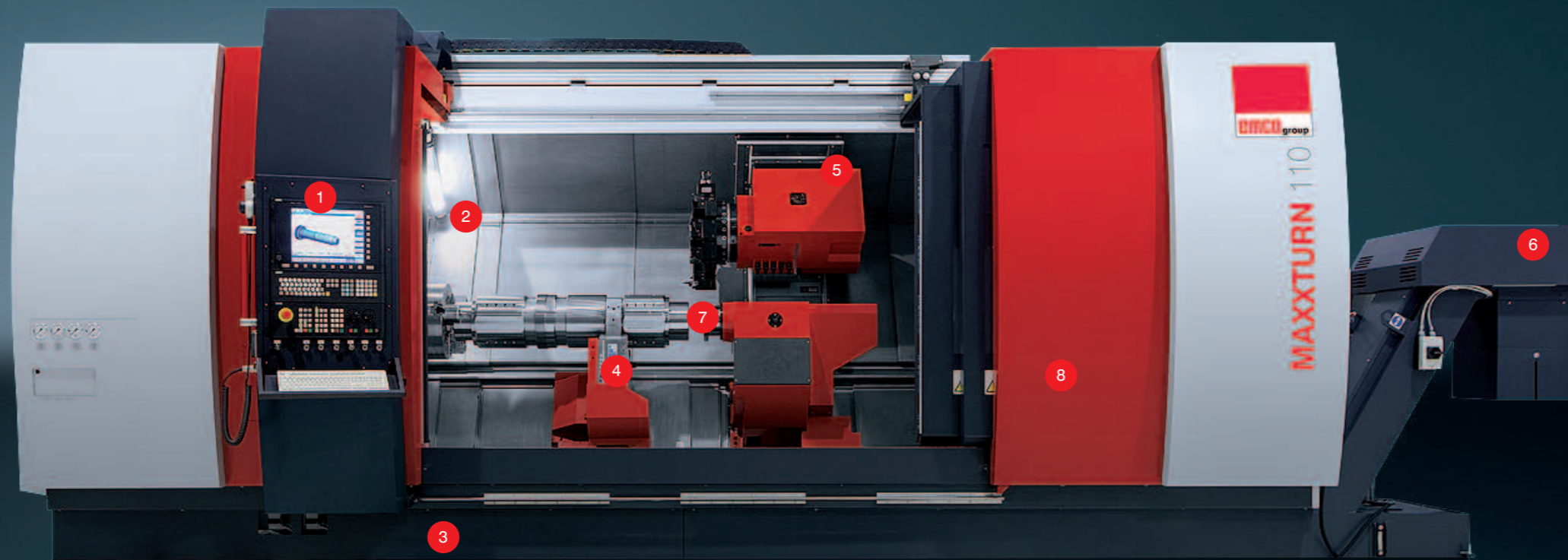
- Slat band conveyor with ejection height of 1150 mm (45.3")
- Suitable for: Long steel chips, swarf balls, woolly swarf, dry and wet machining
- With integrated coolant apparatus
- Easy to remove, easy to clean
- Optional: High-pressure pumps

## 7 TAILSTOCK

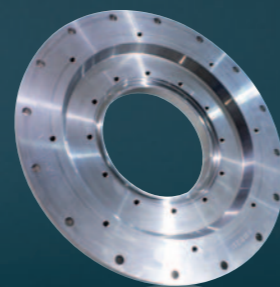
- Tag-along tailstock
- Optional: NC tailstock
- Integrated bearings for MT5 centering tip
- Quill diameter  $\phi$  150 mm (5.9")
- Quill travel 150 mm (5.9")
- Incl. position and pressure monitoring

## 8 MACHINE COVER

- All-round protection against chips
- 100% coolant retention
- Large safety glass window in door
- Clear view into the work area



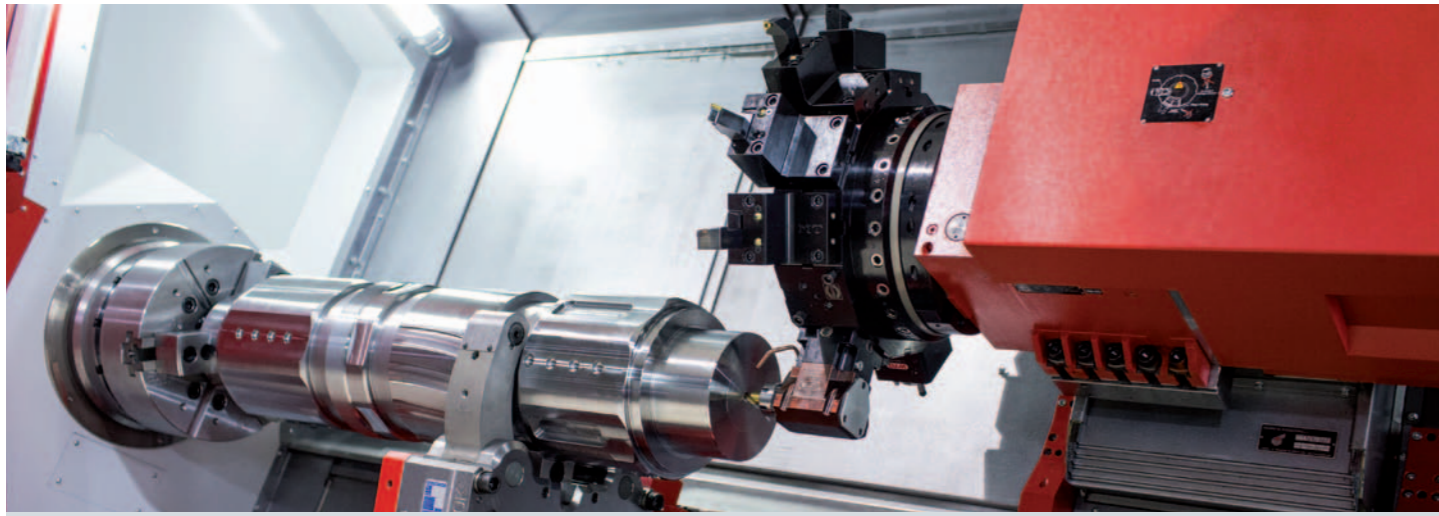
Driving shaft  
(high-alloyed steel 42CrMo4)



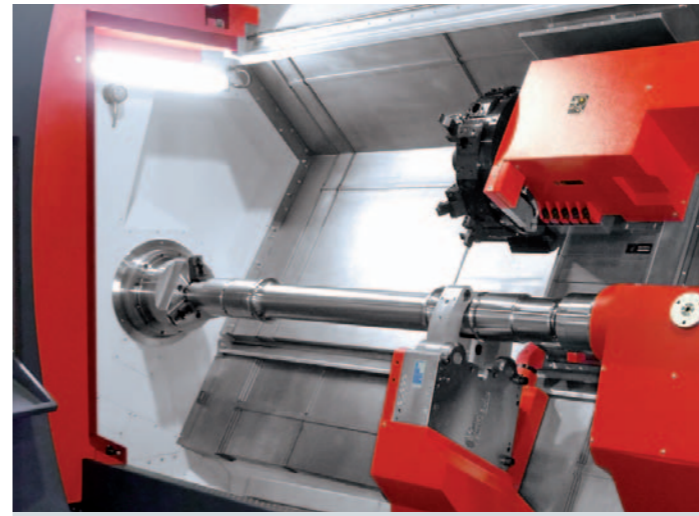
Adapter flange  
(steel, CK45)



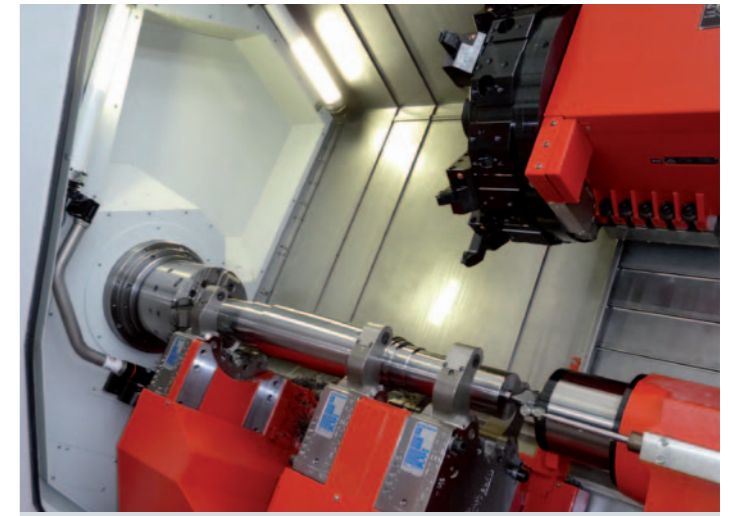
Multifunctional drive shaft  
(steel CK45)



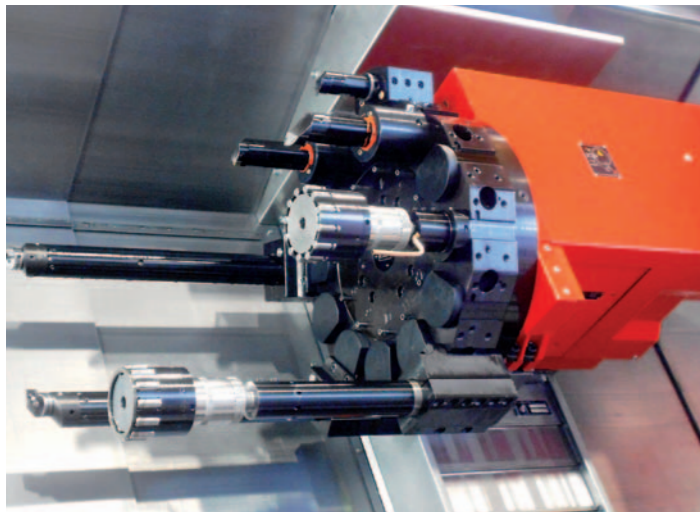
**The Maxxturn series** is designed as a modular system with expansion stages from simple turning operations to a turn-mill centre with different application potential: dynamic integrated spindle motor as well as high torque implementations, direct drive turret with BMT or VDI tool holder systems.



**Maxxturn 110 Machine concept:** Best Turn-milling for each machining. Robust and high-precision machine design to the complete to allow creation of long workpieces. The wider door opening, the automatic, stable tailstock with integrated storage and MK6 Pinole (Optional) and a tilting control console for optimal operation and uncompromising handling.



**Steady rests / clamping:** High-precision complete machining is possible with 3 steady rests on two process-driven slides. Optimal productivity with maximum flexibility is provided due to a shaft-chuck with retractable jaws carrier and face driver, as well as tool calibration.

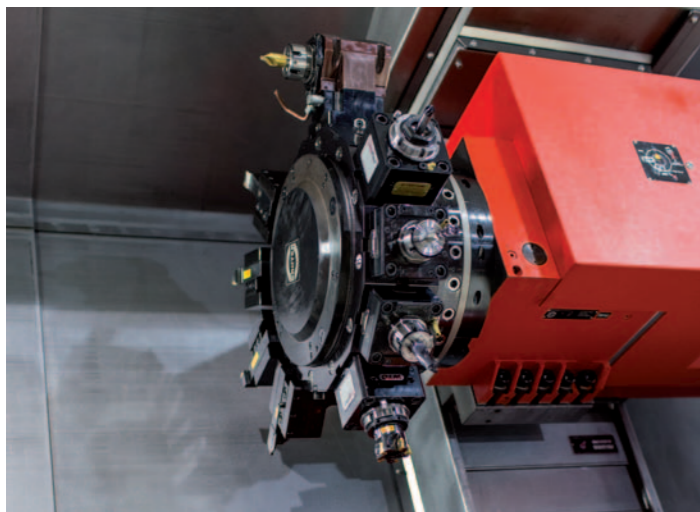


**Processing options:** The MT110 with VDI50 and block - tools can carry out optimised machining processes of short cylinder tubes with a surface quality of RA 0.2 by means of roller burnishing tools. An 80 bar band filter / coolant preparation increases the coolant volume as well as the quality and service life of the cooling lubricant.

## EMCO MAXXTURN 110 Technical Highlights

### Highlights

- Extremely robust construction
- Top machining precision
- High rapid motion speed
- Stable Y-axis with large travel (-80 / +100 mm (-3.1 / +3.9"))
- Optional: NC steady rest or tailstock
- Hydraulic spindle break
- State-of-the-art control technology
- Driven tools with C-axis
- Simple, conversational programming
- Made in the Heart of Europe



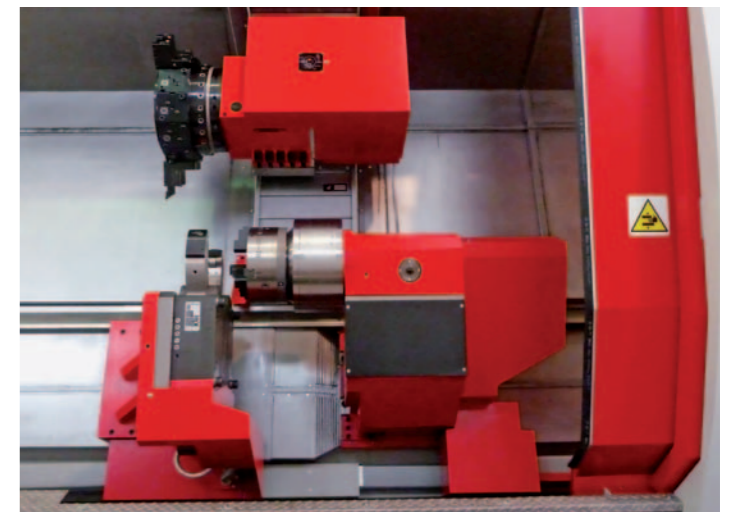
**MT 110 BMT turret.** For cost-effective production of complex turning/milling work pieces, in which milling is predominant, the optional BMT 65P turret with water-cooled direct drive is available. With a maximum of 9600 rpm, 56 Nm and 17.6 kW, this turret offers optimum conditions, stability for complete machining and maximum productivity.



**Automatic steady rests:** Self-centering steady rest with hydraulic actuation. Built on the tailstock track and movable over Z-slides optionally movable with servo drive (NC-axis). Sealing air, central lubrication, flushing and integrated flushing channels on the arms (optional) are available for one or more steady rest units or slide systems.

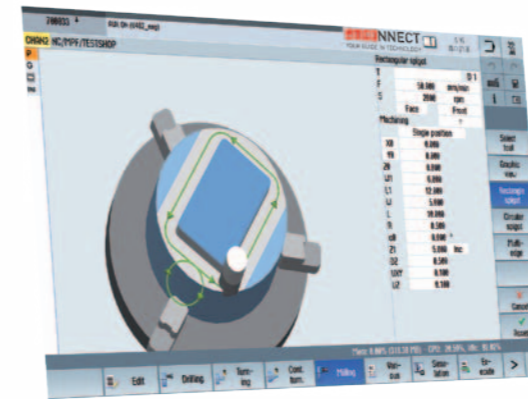


**High-precision Y-axis:** The Maxxturn machine concept has been specially developed for placement of the Y-axis at an angle of 90°. Due to large dimensioned, widely spaced and pre-loaded guide ways, the Y-axis offers optimal machining results with maximum stability and short overhangs.



**Emco special solutions:** The Emco expertise in engineering and solutions are unique, economical and future-oriented. The standard tailstocks complemented with a 3 quick jaw change power chucks to the customer parts accurate and stable to run / support. With the sleeve the jaw movement is prepared and everything 100% with automatic safety work state.

Your “Control Center” for  
the entire production flow



**SINUMERIK - the Control and the Machine's Centerpiece**

Thanks to the App Launcher operators may switch between the emcoNNECT Apps and the control at any time. All it takes to do so is a click on the emcoNNECT logo. To improve the work processes on the machine the control can, as shown in the picture, be operated in full screen mode or in interaction with practical apps (sidebar).

**DASHBOARD – For a Quick Overview of the Machine Status**

Clear and compact processing of all relevant machine and NC data depending on the configuration of the machine (number of tool systems, spindles, ...) and the active operating mode (JOG, MDA, AUTO). Know at a glance whether everything is OK or whether the machine operator will be required to interact.

**MACHINE DATA – All Data related to Productivity at a Glance**

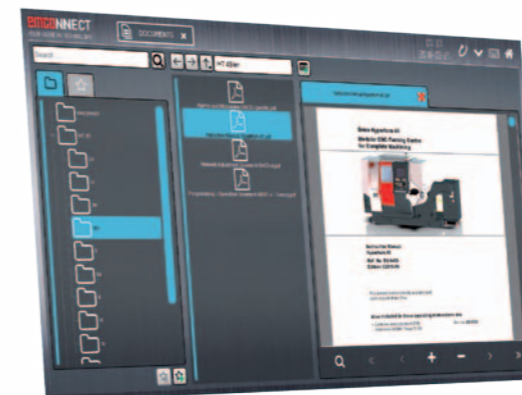
Operating data collection to inform the user about the current production status and OEE (Overall Equipment Effectiveness) values full screen or sidebar.



emcoNNECT's hardware basis is a 22" industrial touch control panel combined with an industrial PC (IPC).

**Highlights**

- Direct interaction between EMCO Apps and the control
- Intuitive user interface optimized for touch control
- Range of available applications is continuously being expanded
- Customised and project-specific applications
- Optimized for the EMCO machine range
- emcoNNECT allows for easy and quick configuration and updating



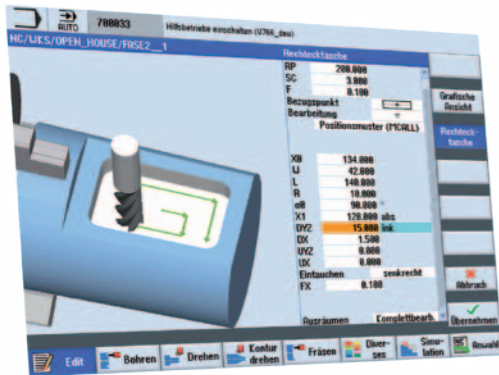
**DOCUMENTS – A Digital and Expandable Document Collection Customised to Suit Your Individual Needs**

To display PDF documents such as machine documentations, programming instructions, process descriptions ... Including favourites management - full screen or sidebar

# SINUMERIK 840D sl

## Open, strong, flexible.

Sinumerik 840D sl with Operate user interface has been ergonomically located at the left of the work space, can be swivelled by 120° and is movable with MT 110. Shopturn dialogue programming, RJ45 and a 230 volt outlet on the side are included in the standard version. The control panel is equipped with a 15" color monitor.



### Shopturn - Shopmill / processing cycles

The machine programming can be freely selected from DIN to shop turn. Complex work pieces require efficient production methods and innovative CNC solutions. The CNC equipment SINUMERIK 840D sl supports multi-technology machines in the machining of workpieces in one setting and offers for this purpose innovative functionality - even when alternating between different technologies.

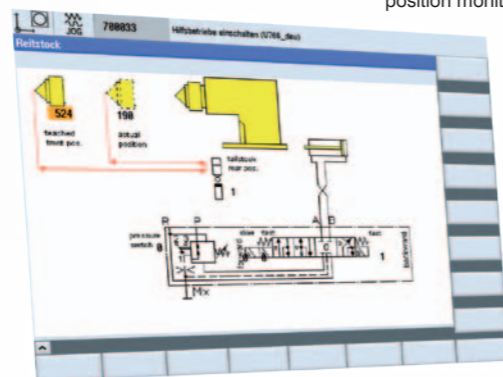
### Processing simulation

3D simulation during turning and milling, with detailed representation and workpiece profile. This achieves a significantly higher efficiency in production and all information is available on the machine.



### Tool management

Simple and open operation through integrated tool management for all tool types and data.



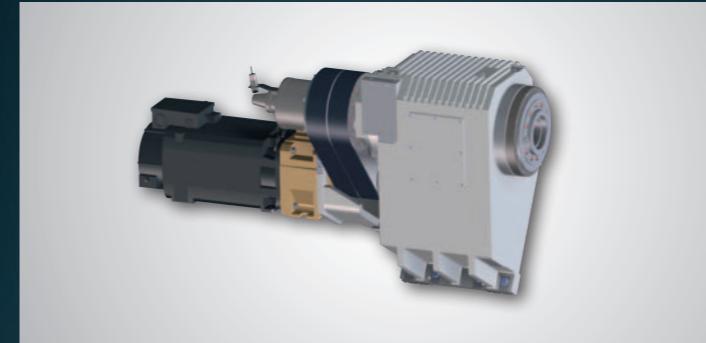
### EMCO diagnostics

EMCO diagnostics for rapid, simple analysis of the entire machine (example: tailstock hydraulic diagram and sleeve position monitoring).

# Uncompromising quality for top precision.

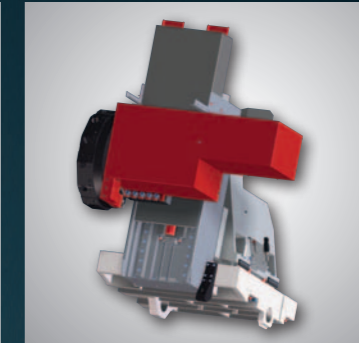
## The modular machine structure.

The heart of the machine is the 60° slanted machine base made of top-quality, a composite material consisting of special concrete and steel that provides numerous advantages over conventional materials. Compact monoblock construction for extreme stiffness and a stable base for the rest of the machine. The results are outstanding surface qualities, more narrow production tolerances and longer machine lifetimes. This means that the high drive performance of the work spindle can be used without restriction.

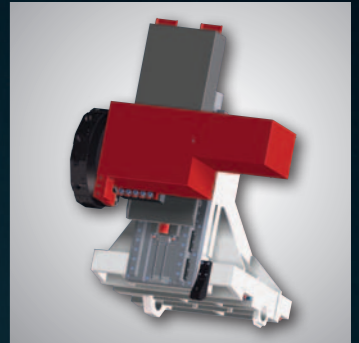


Main spindle A2-11 (A2-15)  
(Max. speed range: 2000 rpm)  
(Max. Torque: 3400 Nm (2507.7 ft/lbs))

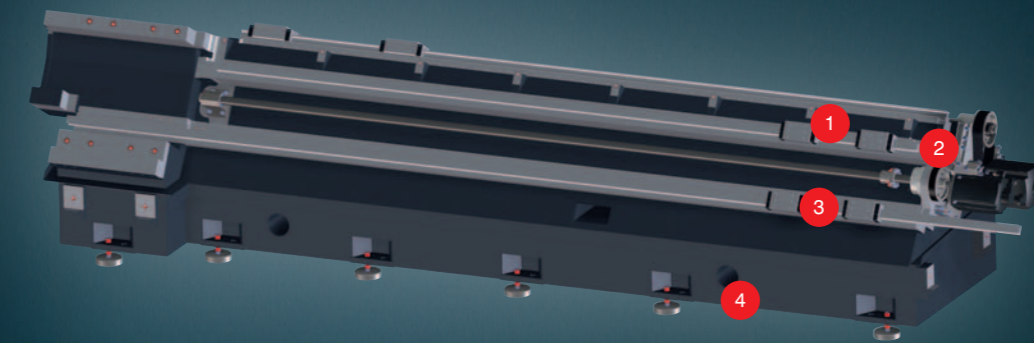
- Belt drive with two-speed transmission
- Maximum drive power: 52 kW (69.7 hp)
- Maximum torque: 2480 Nm (1829.15 ft/lbs)
- Maximum speed: 2500 rpm
- Partial hollow clamping: ø 110 x 1000 mm (4.3 x 39.37")



Tool slide with Y axis (-80/+100) integrated as an extremely rigid element into the machine structure



Tool slide without Y axis



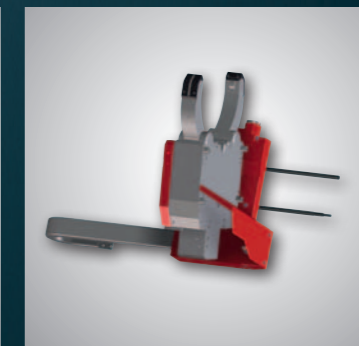
- 1 A large distance between the guideways ensures greatest stability
- 2 Ball screws in all axes enable high drive forces
- 3 Linear roller guides on all axes
- 4 Machine base in monoblock construction for the MAXXTURN 110 x 1500 / 2500 / 3500



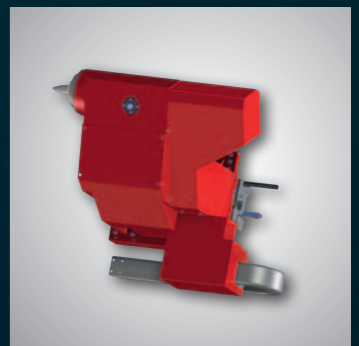
Retractable C axis including hydraulic spindle brake



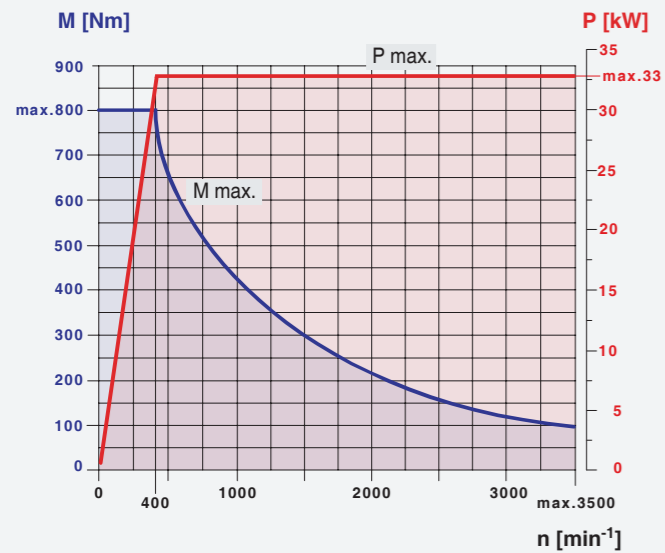
Main spindle A2-8  
- Water-cooled spindle motor (ISM)  
- Maximum drive power: 33 kW (44.2 hp)  
- Maximum torque: 800 Nm (589.6 ft/lbs)  
- Maximum speed: 3500 rpm  
- Bar capacity: ø 95 mm (3.7")



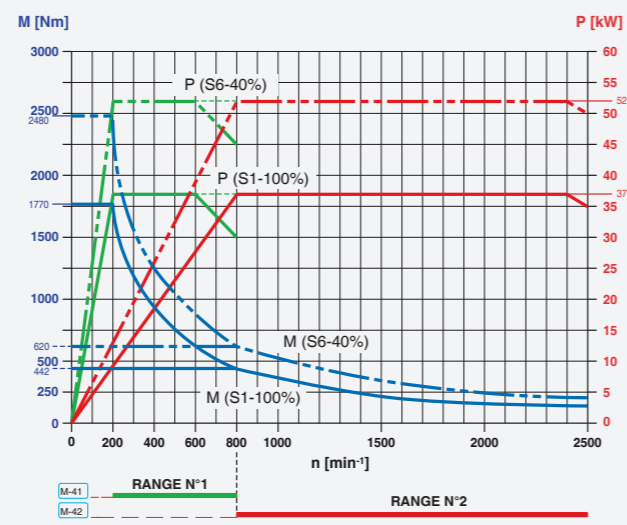
self-centring schlepp-steady rest  
Dm. 11-152/35-250/45-310/100-410 as single- or tandem- version possible. NC-drive optional



Large tailstock with quill and integrated bearings for stable shaft machining



MT110 spindle characteristic A2-8"



MT110 spindle characteristic A2-11"

# Accuracy and productivity

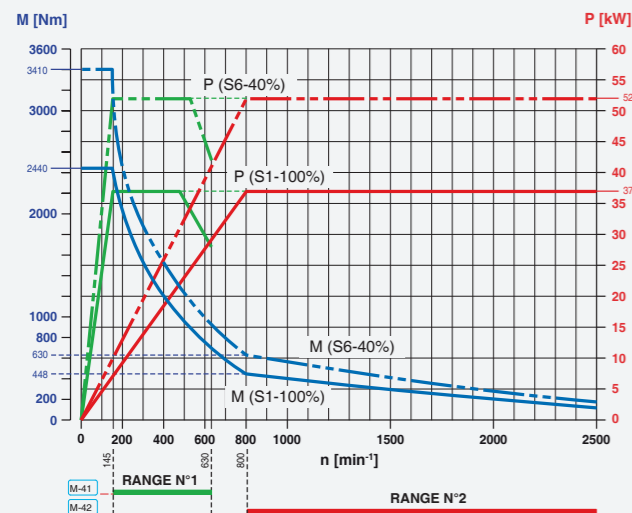
Positioning accuracy P in X	[mm]	0,008
Medium position variation range PS in X	[mm]	0,0025
Positioning accuracy P in Z	[mm]	0,010
Medium position variation range PS in Z	[mm]	0,003
Positioning accuracy P in Y	[mm]	0,004
Medium position variation range PS in Y	[mm]	0,002
Positioning accuracy P in C1	[degrees]	0,03
Medium position variation range PS in C1	[degrees]	0,01

**glass scale and laser measurement / lead error compensation have to be order optional**

Measurement of positioning accuracy to VDI / DGQ 3441

Medium position variation range PS: Repeatability of positioning carriage (repeated Starting up a point from the same direction).

Positioning accuracy P: sum of the individual deviations = Positioning scatter + Hysteresis + positional deviation

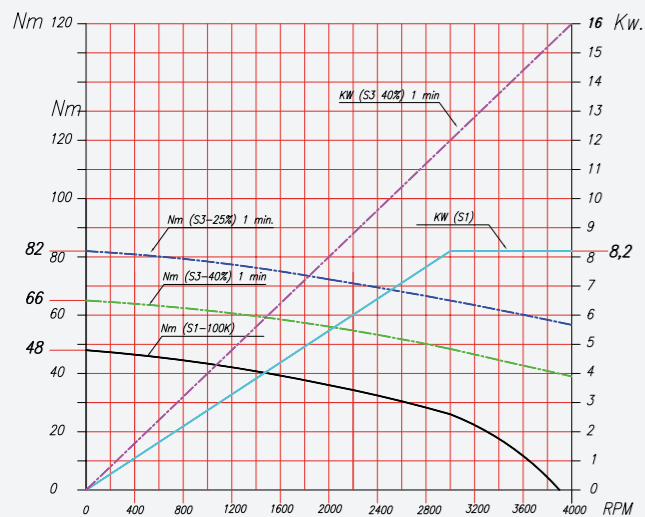
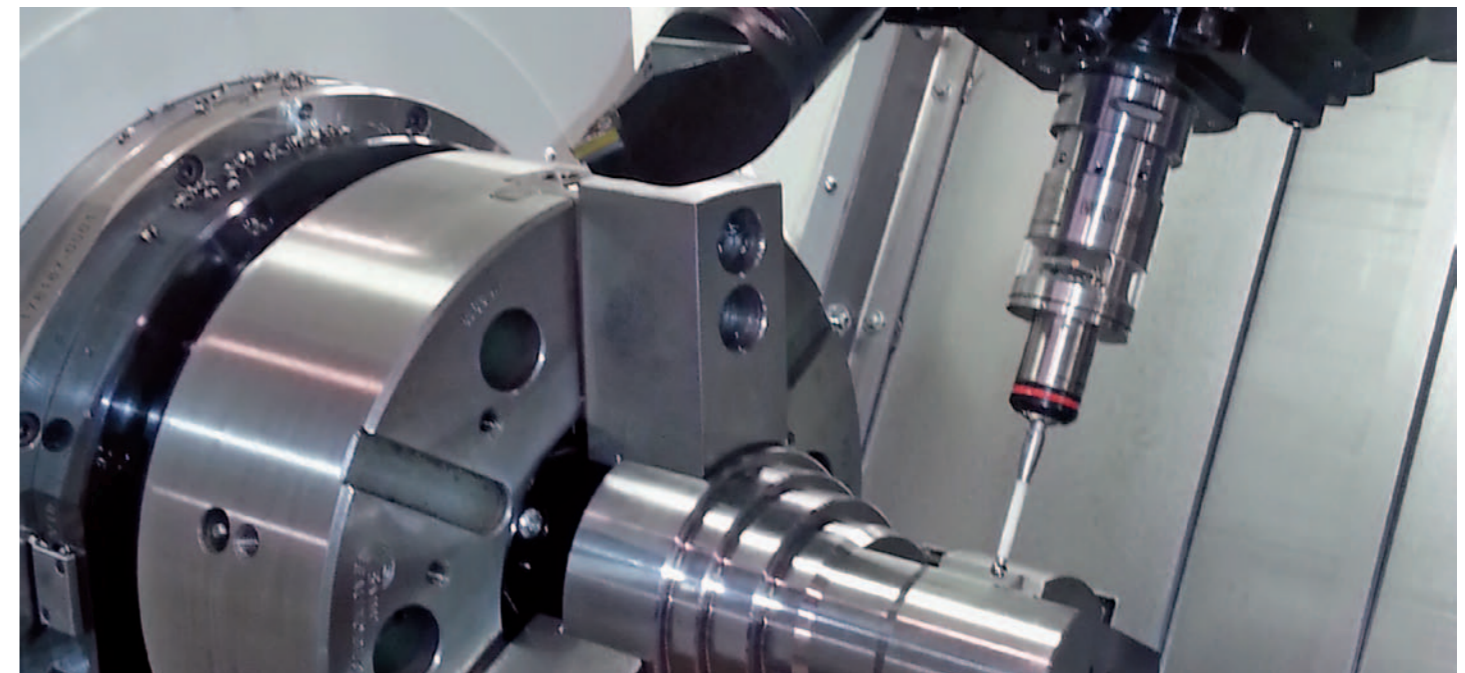


MT110 spindle characteristic A2-15"

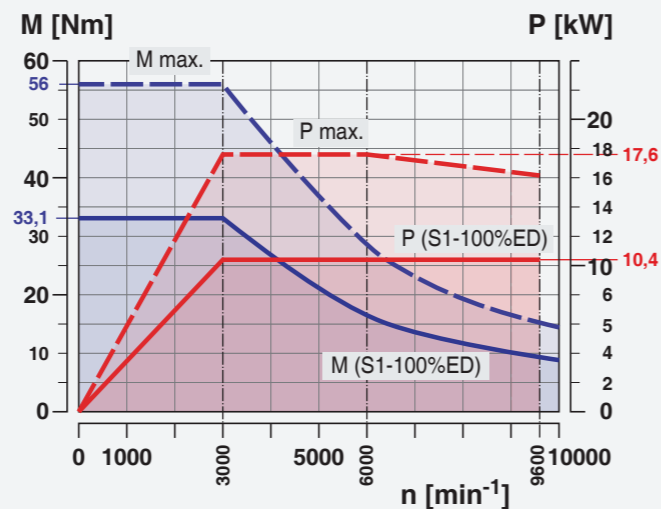
# Performance and torque diagram

Alternatively, various standardised turret/spindle solutions are available:

BMT or VDI, with 8"-, 11"- or 15"-serie spindles. Optimum performance and torque for any form of processing is achieved by precise coordination of mechanics and control.



MT 110 turret characteristic VDI50

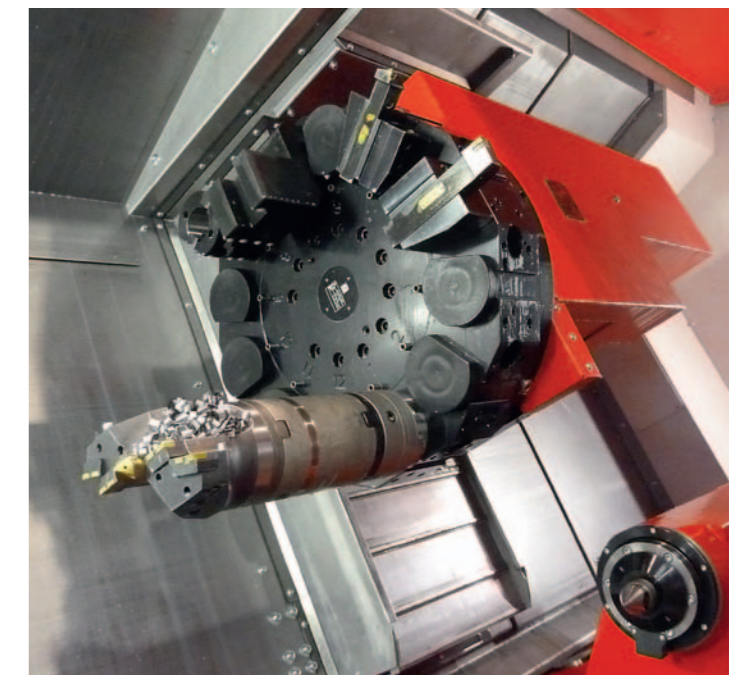


MT 110 turret characteristic BMT65P (opt.)

The probe is in the turret with radio transmission for scanning the workpieces and automatic transfer of values used by measuring cycles.

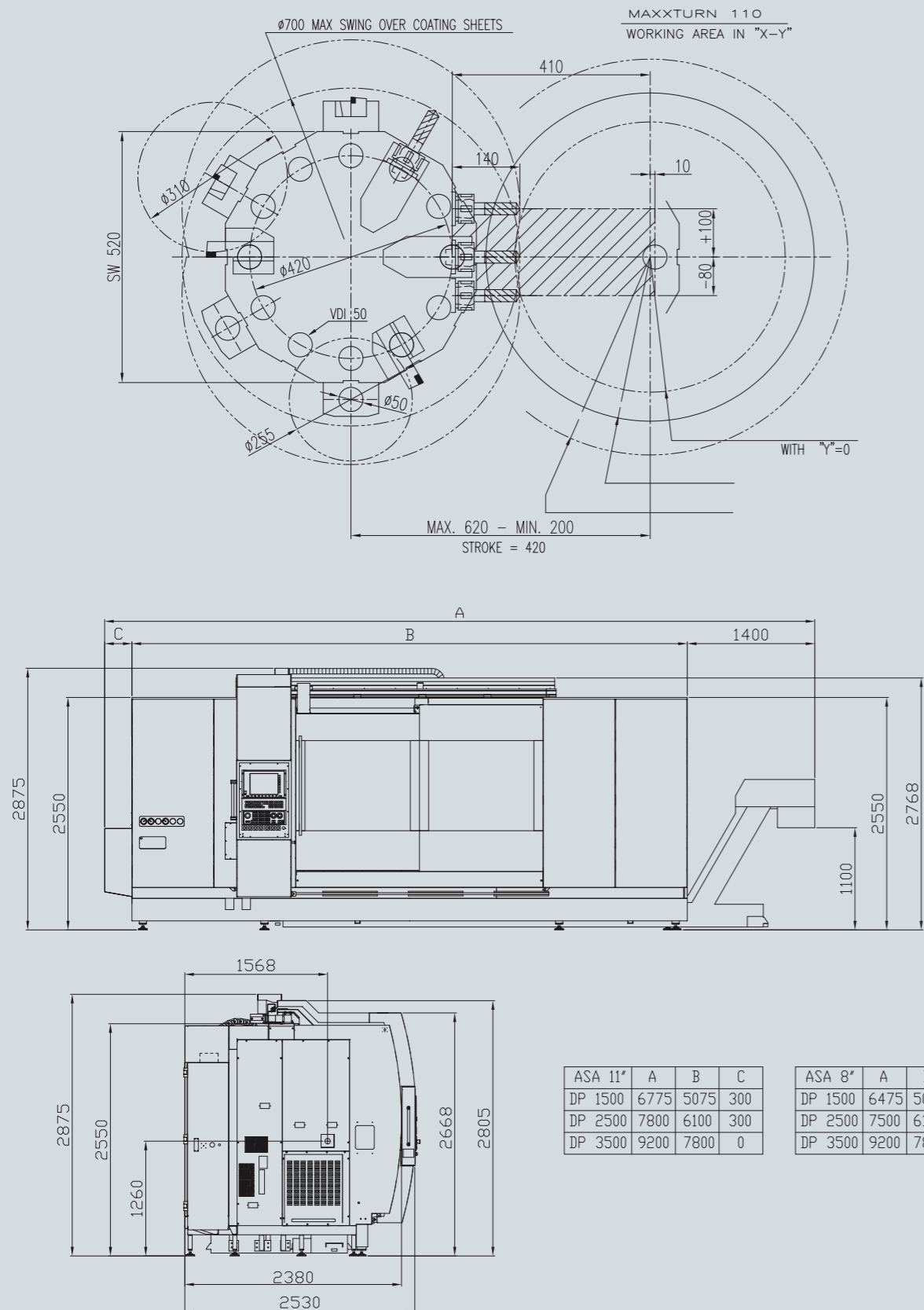
Feed Force	X / Y	Z
KN	17	20 (30 opt.)

Removal rate (mat. C45)	cm <sup>3</sup> /min	f (mm)	ap (mm)	Vc (m/min)	Dm (mm)
Turning	860	0,6	10	180	300
Milling	390	1,25	4	250	63
Drilling	425	0,15		250	120

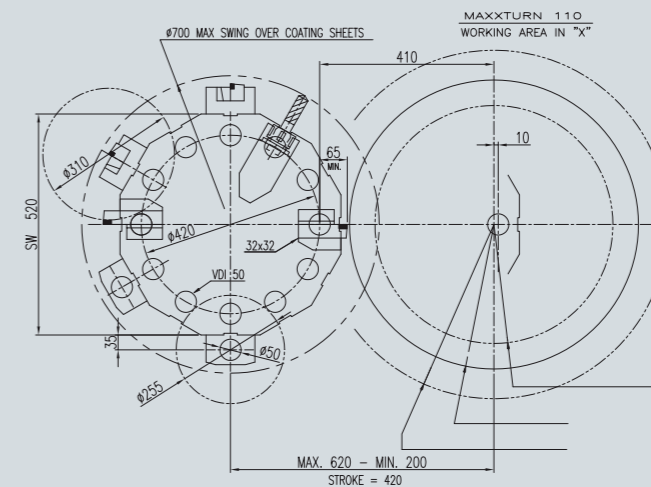
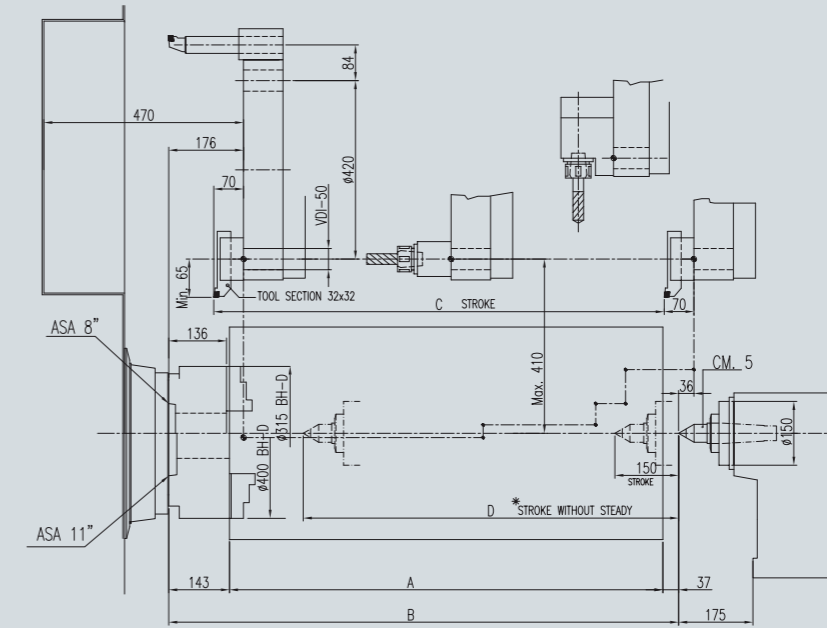


# Machine layout

# Work area

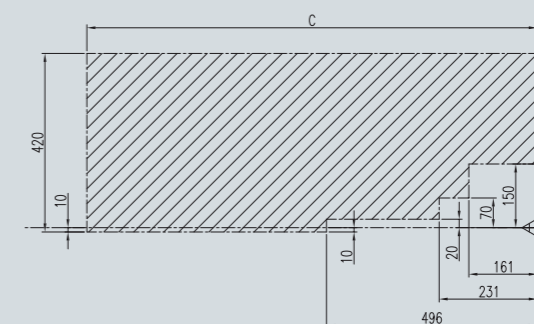


Details in millimeters



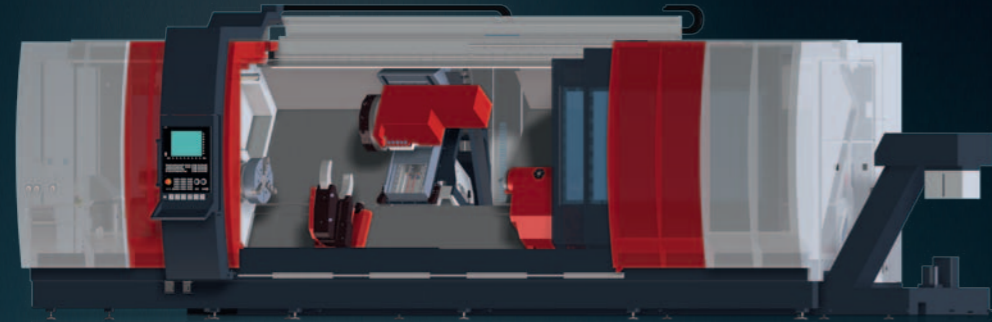
TAILSTOCK WITH QUILL CM5

D.P.	A	B	C	D *
1500	1520	1700	1560	1300
2500	2520	2700	2560	2300
3500	3520	3700	3560	3300



Details in millimeters

# Quality Components



## Coolant pumps

Low-maintenance immersion pumps for pressures of up to 25 bar and flow rates of up to 1500 l/min provide optimum conditions for machining and enable reliable chip transportation.



## Clamping cylinder / chuck

Hydraulically activated clamping cylinders and chucks guarantee the precise, safe clamping of work pieces. Programmable sensors are used for stroke monitoring. There is no need for time-consuming adjustments of contactless limit switches.



## Tool holder

Innovative, fully developed tool holder systems form the basis for cost-effective machining. High changeover accuracy and stability result in short setup and cycle times.



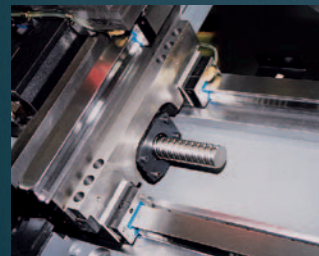
## Headstocks

The design and manufacture of headstocks are two of EMCO's core competencies. During engineering, the focus is on precision, robustness, high rigidity, precise rotational characteristics, and a long service life.



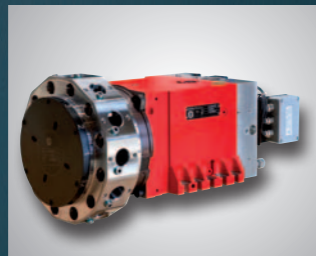
## Hydraulic systems

Compact dimensions, quiet operation, and high energy efficiency - just some of the advantages of the hydraulic assemblies used by EMCO. Monitored pressure switches prevent the need for time-consuming manual pressure adjustments.



## Machine bases and slides

When matching components, we place great value on high stability, good damping characteristics, and a thermoneutral design. We achieve high stability through a shorter force flow, thermal stability through symmetry, and dampening through the materials and interfaces selected.



## Tool turret

Rapid-indexing turrets with adjustable swivel speeds and milling drives represent the current state of the art. The backlash-free milling drive is not only ideal for milling and drilling, but also for rigid tapping, hobbing, and polygonal turning.



## Ball screws and roller guides

Highly precise and generously dimensioned guide rails and ball screws with optimal pretensioning form the basis for the machining of precision parts



## Chip conveyor

Slat band conveyors allow for flexible implementation and the safe removal of chips. A monitored overload clutch prevents damage from improper use.

# Minimum use of resources for maximum profit.



At EMCO, we take a consistent, responsible approach to the use of resources in machine tools in order to safeguard long-term investments. From the development of our machines through to their construction and manufacture, we place a strong focus on the sensible and sparing use of raw materials and energy. This enables us to achieve parallel savings in two areas:

1. Reduction in the basic power consumption of machine tools, e.g. assemblies are switched on and off as required and the installed connected loads are kept to a minimum.
2. Reduction in variable consumption: This can be seen in the lighter axes, energy recovery system, increased rate of good parts, and the shorter process chain enabled by complete machining.

Through these measures, which are constantly being refined and further optimized, EMCO truly demonstrates that its slogan of „Designed for your Profit“ is not just an empty promise: EMCO products help save the environment and provide intelligent customer savings without compromising on quality and flexibility.

### [Regenerative drive system]

Kinetic energy is converted into electrical energy and fed back into the grid.  
**Savings of up to 10%**



### [Compact hydraulics unit with pressure accumulator]

Thanks to its accumulator charging system, the pump only runs when required. If the pressure accumulator is full, the pump switches over to closed loop circulation.  
**Savings of up to 90%**



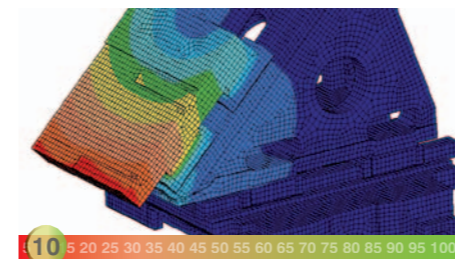
### [Roller guides]

Extremely low friction losses thanks to rolling friction. Highly dynamic performance with minimal lubricant consumption.  
**Savings of up to 50%**



### [Structurally optimized mechanics]

FEM analysis is used to optimize the relevant components in terms of their rigidity while simultaneously reducing their weight.  
**Savings of up to 10%**



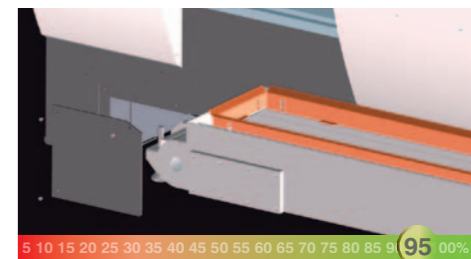
### [Highly efficient motors]

The use of energy-efficient motors (IE2) in the coolant preparation area guarantee highly cost-effective operation.  
**Savings of up to 10%**



### [Synchronized chip conveyor]

Programmable interval times enable optimal use of the chip conveyor independently of the machining process.  
**Savings of up to 95%**



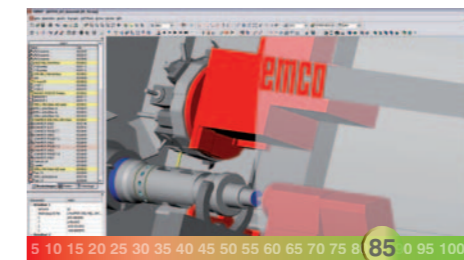
### [Intelligent standby concepts]

Reduced consumption by automatically switching off ancillary units and machine space/screen illumination after a defined period of inactivity on the control panel.  
**Savings of up to 50%**



### [Virtual machine]

Significant reduction in the setup and running-in-times on the machine through the use of highly developed simulation and programming software.  
**Savings of up to 85%**



### [Intelligent energy management]

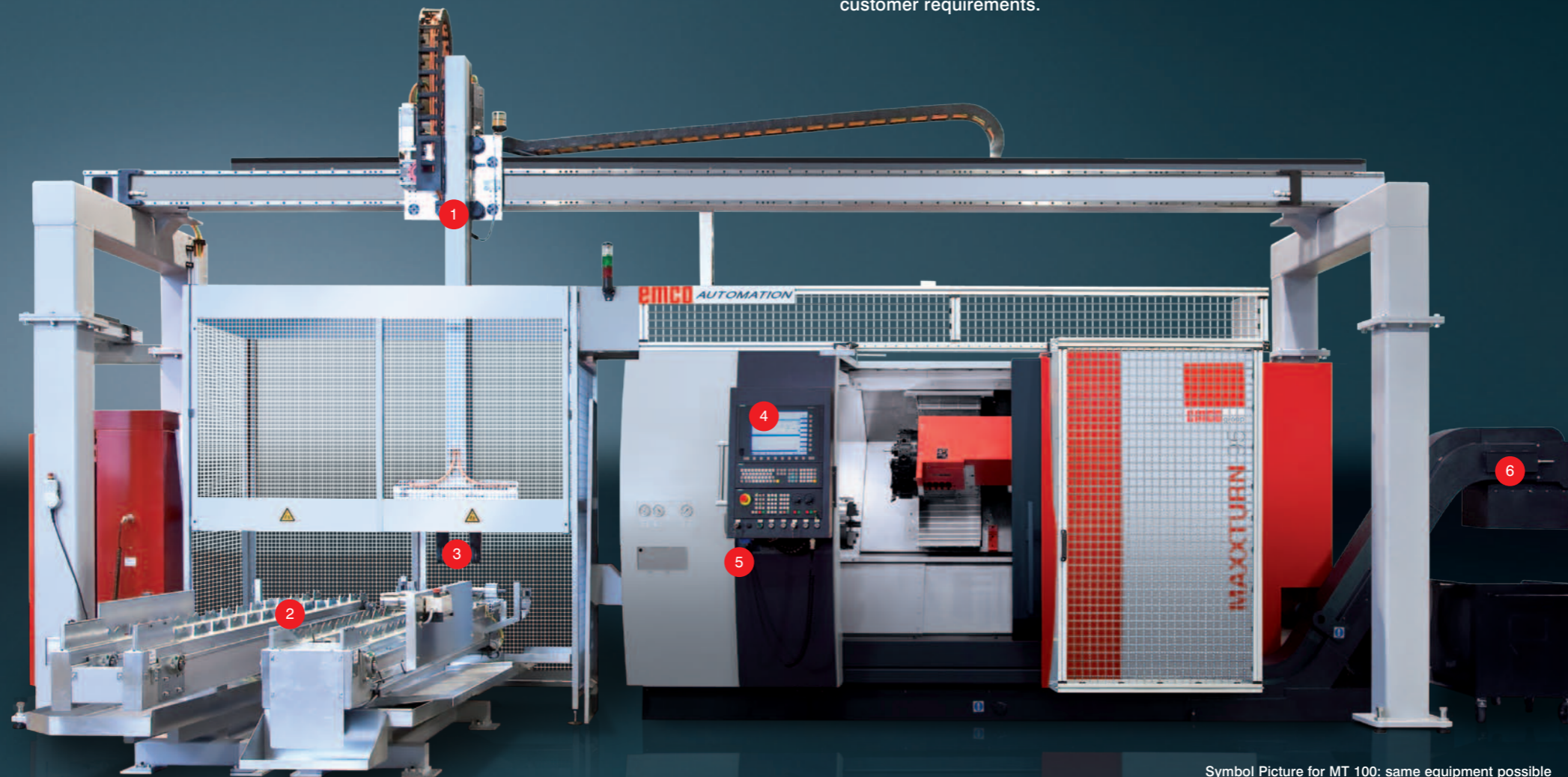
Intuitive data entry screens for activating the individual energy-saving functions.  
**Savings of up to 70%**





# Everything from a single source.

The EMCO loading gantry solution provides maximum flexibility in terms of weight and machine size. It allows the integration of various automated systems such as a shaft conveyor, circulating magazine, robot, or measurement station. This enables various combinations of minimally staffed complete solutions to be implemented in line with customer requirements.



## 1 GANTRY AXES

- Robust mechanism
- Safety brake
- Central lubrication system
- Optional: H-loader, machine connection

## 2 BLANK CONVEYOR / FINISHED PARTS CONVEYOR

- Shaft conveyor (shown)
- Circulating magazine

## 3 GANTRY

- Electric shaft gripper
- Adjustable gripping force
- Position monitoring via NC axis
- No compressed air required

## 4 CONTROL

- Ergonomically placed and pivotable
- Multi-channel for machining and parts handling
- Siemens 840D sl incl. ShopTurn
- Color LCD monitor
- USB interface
- Ethernet connection

## 5 HYDRAULIC UNIT

- Ergonomic operation
- Automatic pressure monitoring
- Compact and low-maintenance

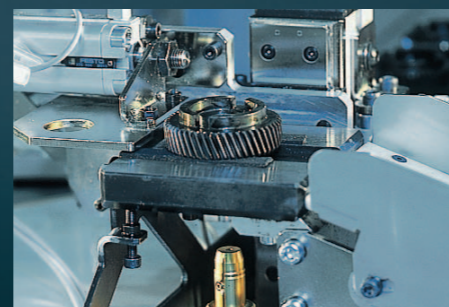
## 6 CHIP CONVEYOR

- Hinged-type conveyor
- Ejection height 1150 mm (45.3")
- 350-liter coolant volume
- Included in the basic model

Symbol Picture for MT 100: same equipment possible



**Magazine:** Raw materials and finished parts are automatically supplied and discharged by dual-track indexed conveyor. The conveyor was designed for a capacity of 20 parts. The shaft gripper seizes the raw workpiece, which is centred on both sides, from the indexed conveyor and brings it into the machine. Magazining of raw materials and finished parts is carried out in the same way. The loading gantry is designed for a maximum workpiece weight of 150 kg.



**Measuring device:** Measuring station integrated at the machining table for machining of precision parts with minimum manpower. The tool offsets are adjusted automatically. By means of the gantry loader, each workpiece is placed into the measuring device and measured with the measuring gauge. Good parts are pushed into the parts container, rejected parts are stored separately.



**Operation:** The Maxturn 110 gantry loaders were designed by EMCO and are electrically and NC-technically controlled and programmed via the machine control. For this purpose, an additional, independent handling program runs at the control. The shaft grippers are actuated by a self-locking threaded spindle and are easily adjustable to the respective workpiece. The handheld terminal provides for an easy and clear operation of individual machine components and is integrated into the machine.

## Emco MAXXTURN 110

# Technical Data

### Work area

Swing over bed	820 mm (32.2")
Swing over cross slide	560 mm (22")
Distance between centers	1700 / 2700 / 3700 mm (67 / 106.2 / 145.6")
Maximum turning diameter	680 mm (26.7")
Maximum part length	1500 / 2500 / 3500 mm (59 / 98.4 / 137.8")

### Travel

Travel in X	420 mm (16.5")
Travel in Z	1560 / 2560 / 3560 mm (61.4 / 100.8 / 104.1")
Travel in Y	-80 / +100 (-3.15 / +3.9")

### Main spindle A2-8" (integrated spindle motor ISM)

Speed range	0 – 3500 rpm
Integrated spindle motor, power (100/40% DC)	33 kW
Torque (100/40% DC)	800 Nm
Spindle nose according to DIN 55026	A2-8"
Spindle bore	106 mm (4.2")
Spindle bearing (inside diameter front)	160 mm (6.3")
Max. chuck size	315 (400) mm (12.4(15.7"))

### C-Axis on spindle A2-8"

Resolution	0,001°
------------	--------

### Motor, Main spindle A2-11" (ZF-gear box)

Speed range (two step gear box )	0 – 2500 U/min
Power	52 kW (69.7 hp)
Torque	2480 Nm (1829.1 ft/lbs)
Spindle nose according to DIN 55026	A2-11"
Spindle bore	125 mm (5")
Spindle bearing (inside diameter front)	190 mm (7.5")
Max. chuck size	400 (630) mm (15.7 (24.8"))

### Motor, Main spindle A2-15" (ZF-gear box)

Speed range (two step gear box )	0 – 2000 rpm
Power	52 kW (69.7 hp)
Torque	3410 Nm (2515.1 ft/lbs)
Spindle nose according to DIN 55026	A2-15"
Spindle bore	125 mm (5")
Spindle bearing (inside diameter front)	190 mm (7.5")
Max. chuck size	500 (800) mm (19.7 (31.5"))

### C-Axis on spindle A2-11" - A12-15" (Automatic engaged, free from backlash)

Max. Torque	2000 Nm (1475.1 ft/lbs)
Resolution	0,05°

### Tool turret (Standard)

Number of tools stations (all driven)	12
VDI shaft DIN 69880	50 mm (2.0")
Tool cross-section for square tools	32 x 32 mm (1.3 x 1.3")
Shank diameter for boring bars	50 mm (2.0")
Additional tools (block-tool)	12

### Tool turret

Speed range	0 – 4000 U/min
Power	max. 16 kW (21.4 hp)
Torque	max. 82 Nm (60.4 ft/lbs)

### Tool turret with direct drive system

Number of tools positions (all driven)	12
Precision-interface	BMT-65P
Tool holder for shanks	25 x 25 (32 x 32) mm
Tool holder for boring bars	50 (60) mm (2 (2.3"))
Speed range	0 – 9600 rpm
Max. power	17.6 kW (10.2 hp)
Max. torque	56 Nm (41.3 ft/lbs)

### Feed drive

Rapid motion speed X / Z / Y	24 / 30 / 12 m/min (944.8 / 1181.1 / 472.4 ipm)
Feed force in the X axis	17000 N (3821.8 lbs)
Feed force in the Z axis	20000 N (4496.2 lbs)
Feed force in the Y axis	17000 N (3821.8 lbs)

### Tailstock with quill

Quill travel	150 mm (5.9")
Quill diameter	150 mm (5.9")
Max. application force	22500 N (5058.2 lbs)
Internal taper of quill	MT5

### Coolant system (integrated in chip conveyor)

Tank capacity (BL 1500 / 2500 / 3500)	450 / 520 / 650 liter (119 / 137.4 / 171.7 gal)
Pump power 7 bar (option 8 bar)	1.15 kW (2.2 hp)

### Power consumption

Connected load (spindle A2-8 / A2-11)	46 / 70 kVA
---------------------------------------	-------------

### Dimensions

Height of centers above floor	1265 mm (49.8")
Total height	2875 mm (113.2")
Dimensions W x D (without chip conveyor)	6775 / 7800 / 9200 x 2530 mm (266 / 7 / 307.1 / 362.2 x 99.6")
Total weight BL 1500/2500/3500	approx. 16 / 18 / 20 t (35274 / 39683.2 / 44092.5 lb)

