

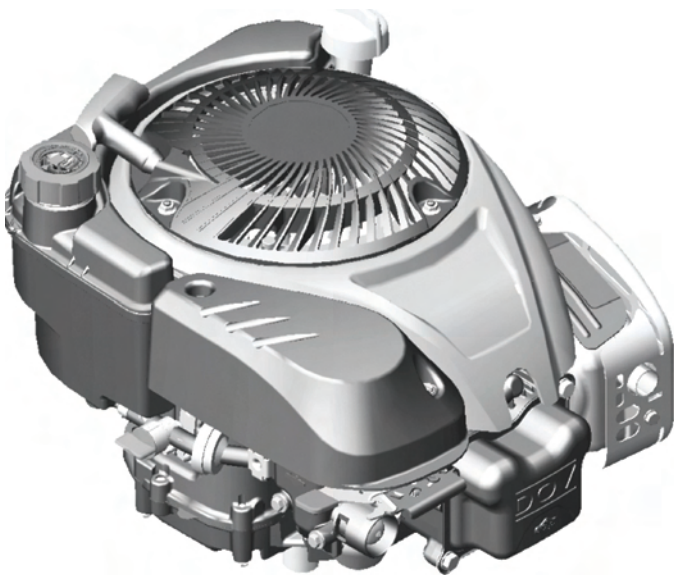


- en** *Operator's Manual*
- bg** *Инструкции за експлоатация*
- cs** *Návod k obsluze*
- et** *Kasutusjuhend*
- hr** *Priručnik za operatora*
- hu** *Kezelési útmutató*
- it** *Naudojimo instrukcija*
- lv** *Operatora rokasgrāmata*
- pl** *Instrukcja obsługi*
- ro** *Manual de utilizare*
- ru** *Руководство по эксплуатации*
- sl** *Priročnik za uporabo*



Model **90000**
 100000

DOV® 700/750 Series™

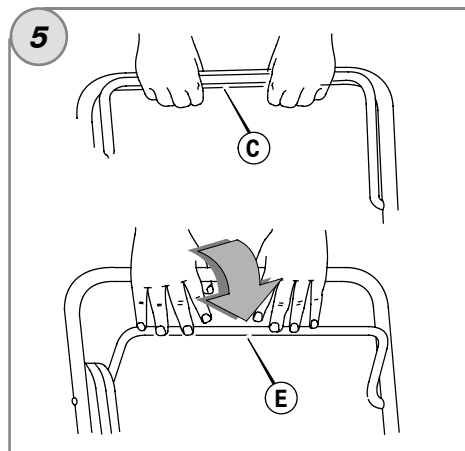
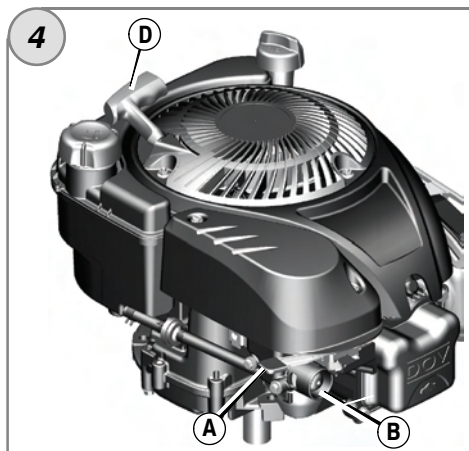
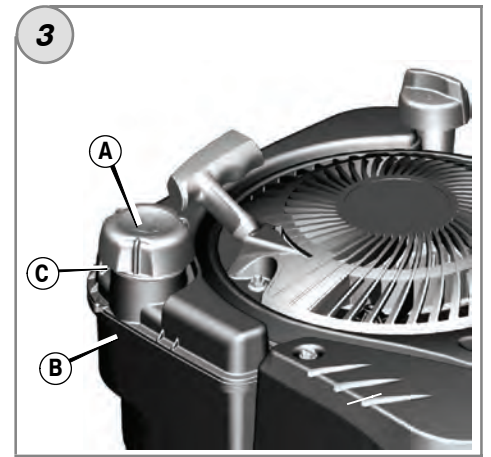
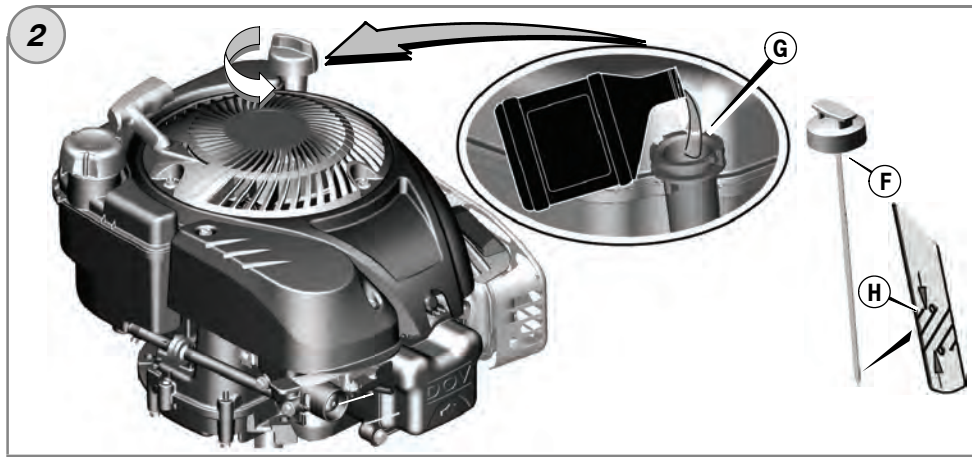
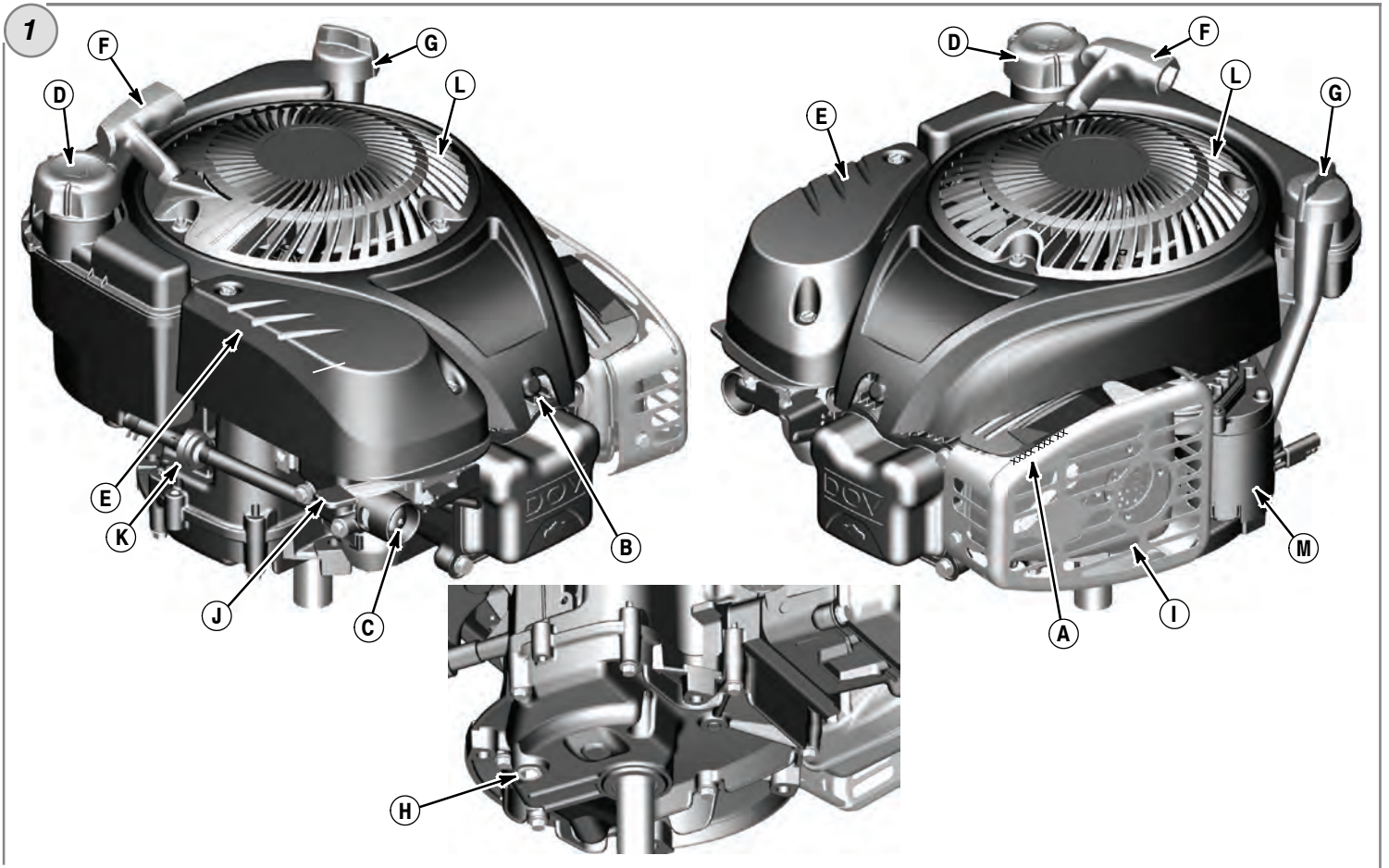


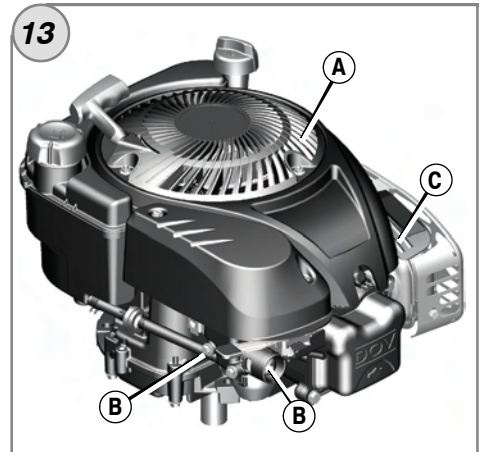
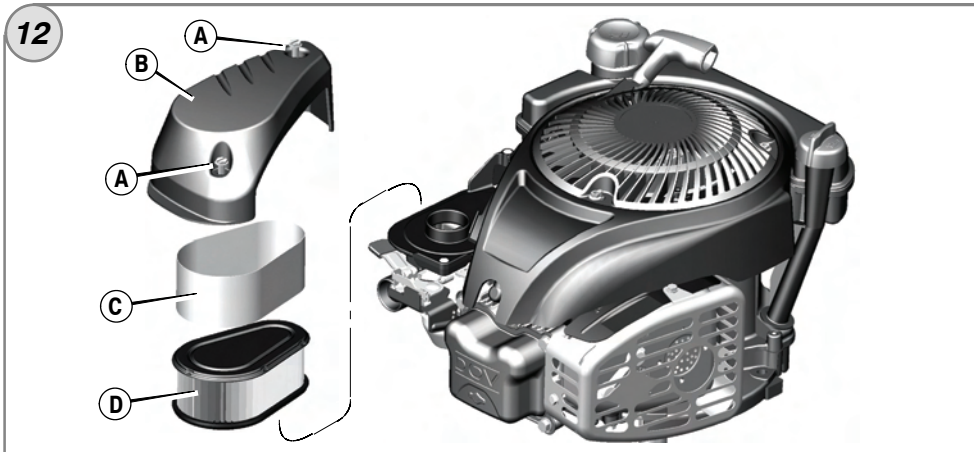
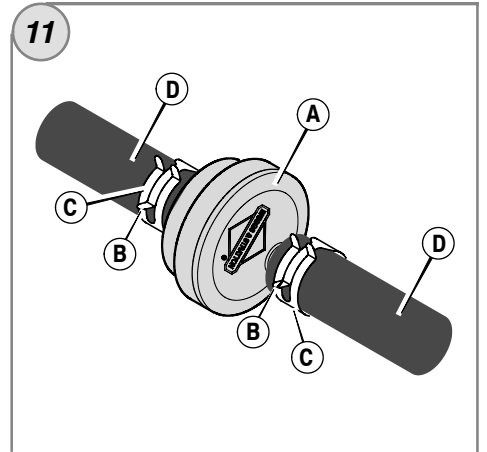
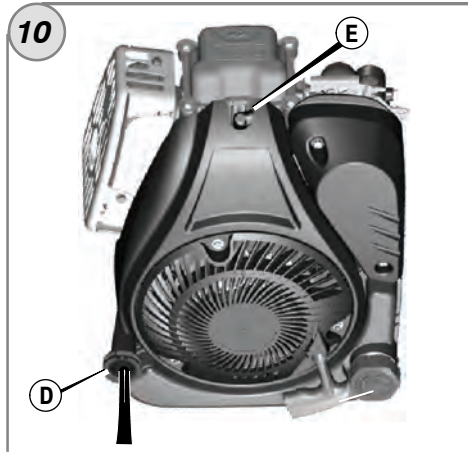
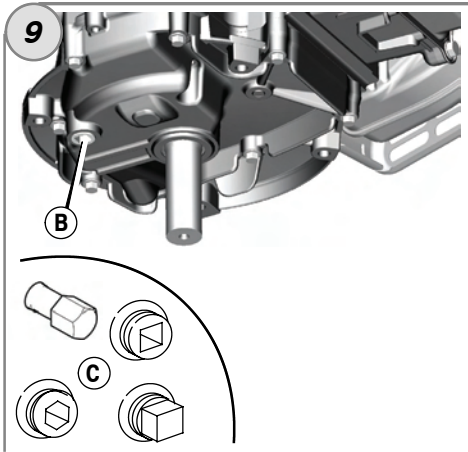
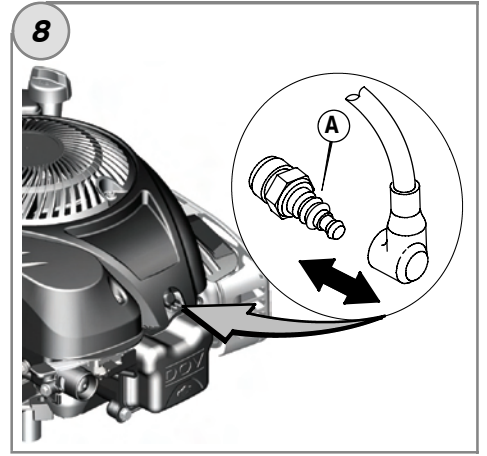
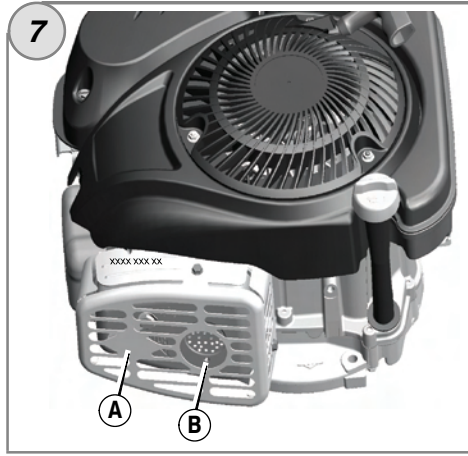
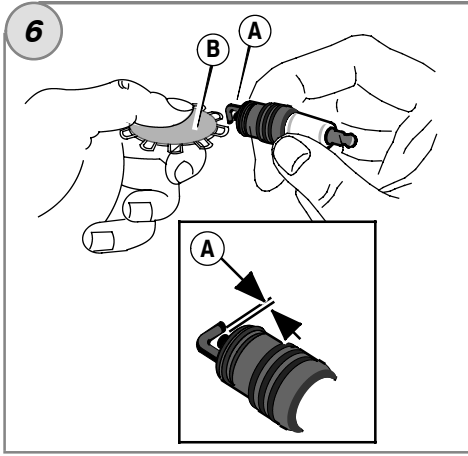
Briggs & Stratton is a registered trademark of Briggs & Stratton Corporation

© 2010 Briggs & Stratton Corporation, Milwaukee, WI, USA. All rights reserved.

Form No. 277099EST
Revision: F

English	Български	Čeština	eesti keel	Hrvatski	Magyar	Lietuvių	Latviešu	Polski	Română	Русский	Slovenija
en	bg	cs	et	hr	hu	lt	lv	pl	ro	ru	sl





General Information

This manual contains safety information to make you aware of the hazards and risks associated with engines and how to avoid them. It also contains instructions for the proper use and care of the engine. Because Briggs & Stratton Corporation does not necessarily know what equipment this engine will power, it is important that you read and understand these instructions and the instructions for the equipment. **Save these original instructions for future reference.**

For replacement parts or technical assistance, record below the engine model, type, and code numbers along with the date of purchase. These numbers are located on your engine (see the **Features and Controls** page).

Date of purchase: _____
MM/DD/YYYY

Engine model: _____
Model: Type: Code:


Engine Power Rating Information


The gross power rating for individual gas engine models is labeled in accordance with SAE (Society of Automotive Engineers) code J1940 (Small Engine Power & Torque Rating Procedure), and rating performance has been obtained and corrected in accordance with SAE J1995 (Revision 2002-05). Torque values are derived at 3060 RPM; horsepower values are derived at 3600 RPM. Actual gross engine power will be lower and is affected by, among other things, ambient operating conditions and engine-to-engine variability. Given both the wide array of products on which engines are placed and the variety of environmental issues applicable to operating the equipment, the gas engine will not develop the rated gross power when used in a given piece of power equipment (actual "on-site" or net power). This difference is due to a variety of factors including, but not limited to, accessories (air cleaner, exhaust, charging, cooling, carburetor, fuel pump, etc.), application limitations, ambient operating conditions (temperature, humidity, altitude), and engine-to-engine variability. Due to manufacturing and capacity limitations, Briggs & Stratton may substitute an engine of higher rated power for this Series engine.


Operator Safety


SAFETY AND CONTROL SYMBOLS



The safety alert symbol  is used to identify safety information about hazards that can result in personal injury. A signal word (DANGER, WARNING, or CAUTION) is used with the alert symbol to indicate the likelihood and the potential severity of injury. In addition, a hazard symbol may be used to represent the type of hazard.

 **DANGER** indicates a hazard which, if not avoided, **will result in death or serious injury.**

 **WARNING** indicates a hazard which, if not avoided, **could result in death or serious injury.**

 **CAUTION** indicates a hazard which, if not avoided, **could result in minor or moderate injury.**

NOTICE indicates a situation that **could result in damage to the product.**

WARNING

Certain components in this product and its related accessories contain chemicals known to the State of California to cause cancer, birth defects, or other reproductive harm. Wash hands after handling.

WARNING



The engine exhaust from this product contains chemicals known to the State of California to cause cancer, birth defects, or other reproductive harm.

WARNING

Briggs & Stratton does not approve or authorize the use of these engines on 3-wheel All Terrain Vehicles (ATVs), motor bikes, fun/recreational go-karts, aircraft products, or vehicles intended for use in competitive events. Use of these engines in such applications could result in property damage, serious injury (including paralysis), or even death.

NOTICE: This engine was shipped from Briggs & Stratton without oil. Before you start the engine, make sure you add oil according to the instructions in this manual. If you start the engine without oil, it will be damaged beyond repair and will not be covered under warranty.

WARNING

 **Fuel and its vapors are extremely flammable and explosive.**
 **Fire or explosion can cause severe burns or death.**

When Adding Fuel

- Turn engine off and let engine cool at least 2 minutes before removing the fuel cap.
- Fill fuel tank outdoors or in well-ventilated area.
- Do not overfill fuel tank. To allow for expansion of the fuel, do not fill above the bottom of the fuel tank neck.
- Keep fuel away from sparks, open flames, pilot lights, heat, and other ignition sources.
- Check fuel lines, tank, cap, and fittings frequently for cracks or leaks. Replace if necessary
- If fuel spills, wait until it evaporates before starting engine.

When Starting Engine

- Ensure that spark plug, muffler, fuel cap and air cleaner (if equipped) are in place and secured.
- Do not crank engine with spark plug removed.
- If engine floods, set choke (if equipped) to OPEN/RUN position, move throttle (if equipped) to FAST position and crank until engine starts.

When Operating Equipment

- Do not tip engine or equipment at angle which causes fuel to spill.
- Do not choke the carburetor to stop engine.
- Never start or run the engine with the air cleaner assembly (if equipped) or the air filter (if equipped) removed.

When Changing Oil

- If you drain the oil from the top oil fill tube, the fuel tank must be empty or fuel can leak out and result in a fire or explosion.



When Transporting Equipment

- Transport with fuel tank EMPTY or with fuel shut-off valve OFF.

When Storing Fuel Or Equipment With Fuel In Tank


- Store away from furnaces, stoves, water heaters or other appliances that have pilot lights or other ignition sources because they can ignite fuel vapors.

WARNING

 **Starting engine creates sparking.**
 **Sparking can ignite nearby flammable gases.**
Explosion and fire could result.

- If there is natural or LP gas leakage in area, do not start engine.
- Do not use pressurized starting fluids because vapors are flammable.

WARNING

 **Engines give off carbon monoxide, an odorless, colorless, poison gas.**
Breathing carbon monoxide can cause nausea, fainting or death.

- Start and run engine outdoors.
- Do not start or run engine in enclosed area, even if doors or windows are open.



WARNING



Rapid retraction of starter cord (kickback) will pull hand and arm toward engine faster than you can let go.

Broken bones, fractures, bruises or sprains could result.

- When starting engine, pull the starter cord slowly until resistance is felt and then pull rapidly to avoid kickback.
- Remove all external equipment/engine loads before starting engine.
- Direct-coupled equipment components such as, but not limited to, blades, impellers, pulleys, sprockets, etc., must be securely attached.



WARNING



Rotating parts can contact or entangle hands, feet, hair, clothing, or accessories.

Traumatic amputation or severe laceration can result.

- Operate equipment with guards in place.
- Keep hands and feet away from rotating parts.
- Tie up long hair and remove jewelry.
- Do not wear loose-fitting clothing, dangling drawstrings or items that could become caught.



WARNING



Running engines produce heat. Engine parts, especially muffler, become extremely hot.

Severe thermal burns can occur on contact.



Combustible debris, such as leaves, grass, brush, etc. can catch fire.

- Allow muffler, engine cylinder and fins to cool before touching.
- Remove accumulated debris from muffler area and cylinder area.
- It is a violation of California Public Resource Code, Section 4442, to use or operate the engine on any forest-covered, brush-covered, or grass-covered land unless the exhaust system is equipped with a spark arrester, as defined in Section 4442, maintained in effective working order. Other states or federal jurisdictions may have similar laws. Contact the original equipment manufacturer, retailer, or dealer to obtain a spark arrester designed for the exhaust system installed on this engine.



WARNING



Unintentional sparking can result in fire or electric shock.

Unintentional start-up can result in entanglement, traumatic amputation, or laceration.



Fire hazard



Before performing adjustments or repairs:

- Disconnect the spark plug wire and keep it away from the spark plug.
- Disconnect battery at negative terminal (only engines with electric start.)
- Use only correct tools.
- Do not tamper with governor spring, links or other parts to increase engine speed.
- Replacement parts must be of the same design and installed in the same position as the original parts. Other parts may not perform as well, may damage the unit, and may result in injury.
- Do not strike the flywheel with a hammer or hard object because the flywheel may later shatter during operation.

When testing for spark:

- Use approved spark plug tester.
- Do not check for spark with spark plug removed.

Features and Controls

Compare the illustration **1** with your engine to familiarize yourself with the location of various features and controls.

- A. Engine Identification
Model Type Code
- B. Spark Plug
- C. Primer (optional)
- D. Fuel Tank and Cap
- E. Air Cleaner
- F. Starter Cord Handle
- G. Dipstick
- H. Oil Drain Plug
- I. Muffler
Muffler Guard (optional)
Spark Arrester (optional)
- J. Throttle Control (optional)
- K. Fuel Filter (optional)
- L. Finger guard
- M. Electric Starter

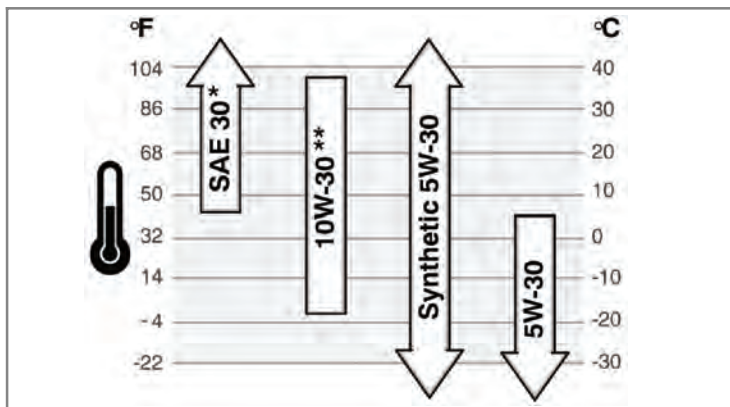
Operation

Oil capacity (see the **Specifications** section)

Oil Recommendations

We recommend the use of Briggs & Stratton Warranty Certified oils for best performance. Other high-quality detergent oils are acceptable if classified for service SF, SG, SH, SJ or higher. Do not use special additives.

Outdoor temperatures determine the proper oil viscosity for the engine. Use the chart to select the best viscosity for the outdoor temperature range expected.



* Below 40°F (4°C) the use of SAE 30 will result in hard starting.

** Above 80°F (27°C) the use of 10W-30 may cause increased oil consumption. Check oil level more frequently.

How To Check/Add Oil - Figure 2

Before adding or checking the oil

- Place engine level.
 - Clean the oil fill area of any debris.
1. Remove the dipstick (F) and wipe with a clean cloth (Figure 2).
 2. Insert and tighten the dipstick.
 3. Remove the dipstick and check the oil level. It should be at the top of the full indicator (H) on the dipstick.
 4. If low, add oil slowly into the engine oil fill (G). **Do not overfill.** After adding oil, wait one minute and then recheck the oil level.
 5. Replace and tighten the dipstick.

Fuel Recommendations

Fuel must meet these requirements:

- Clean, fresh, unleaded gasoline.
- A minimum of 87 octane/87 AKI (91 RON). High altitude use, see below.
- Gasoline with up to 10% ethanol (gasohol) or up to 15% MTBE (methyl tertiary butyl ether) is acceptable.

CAUTION: Do not use unapproved gasolines, such as E85. Do not mix oil in gasoline or modify the engine to run on alternate fuels. This will damage the engine components and **void the engine warranty.**

To protect the fuel system from gum formation, mix a fuel stabilizer into the fuel. See **Storage.** All fuel is not the same. If starting or performance problems occur, change fuel providers or change brands. This engine is certified to operate on gasoline. The emissions control system for this engine is EM (Engine Modifications).

High Altitude

At altitudes over 5,000 feet (1524 meters), a minimum 85 octane/85 AKI (89 RON) gasoline is acceptable. To remain emissions compliant, high altitude adjustment is required. Operation without this adjustment will cause decreased performance, increased fuel consumption, and increased emissions. See a Briggs & Stratton Authorized Dealer for high altitude adjustment information.

Operation of the engine at altitudes below 2,500 feet (762 meters) with the high altitude kit is not recommended.

How To Add Fuel - Figure 3



WARNING



Fuel and its vapors are extremely flammable and explosive. Fire or explosion can cause severe burns or death.



When Adding Fuel

- Turn engine off and let engine cool at least 2 minutes before removing the fuel cap.
- Fill fuel tank outdoors or in well-ventilated area.
- Do not overfill fuel tank. To allow for expansion of the fuel, do not fill above the bottom of the fuel tank neck.
- Keep fuel away from sparks, open flames, pilot lights, heat, and other ignition sources.
- Check fuel lines, tank, cap, and fittings frequently for cracks or leaks. Replace if necessary
- If fuel spills, wait until it evaporates before starting engine.

1. Clean the fuel cap area of dirt and debris. Remove the fuel cap (A, Figure 3).
2. Fill the fuel tank (B) with fuel. To allow for expansion of the fuel, do not fill above the bottom of the fuel tank neck (C).
3. Reinstall the fuel cap.

How To Start The Engine



WARNING



Rapid retraction of starter cord (kickback) will pull hand and arm toward engine faster than you can let go. Broken bones, fractures, bruises or sprains could result.

- When starting engine, pull the starter cord slowly until resistance is felt and then pull rapidly to avoid kickback.



WARNING



Fuel and its vapors are extremely flammable and explosive. Fire or explosion can cause severe burns or death.



When Starting Engine

- Ensure that spark plug, muffler, fuel cap and air cleaner (if equipped) are in place and secured.
- Do not crank engine with spark plug removed.
- If engine floods, set choke (if equipped) to OPEN/RUN position, move throttle (if equipped) to FAST position and crank until engine starts.



WARNING



Engines give off carbon monoxide, an odorless, colorless, poison gas. Breathing carbon monoxide can cause nausea, fainting or death.

- Start and run engine outdoors.
- Do not start or run engine in enclosed area, even if doors or windows are open.

NOTICE: This engine was shipped from Briggs & Stratton without oil. Before you start the engine, make sure you add oil according to the instructions in this manual. If you start the engine without oil, it will be damaged beyond repair and will not be covered under warranty.

Determine The Starting System



Before starting the engine, you must determine the type of starting system that is on your engine. Your engine will have one of the following types.

- **ReadyStart® System:** This features a temperature controlled automatic choke. It does not have a manual choke or a primer.
- **Primer System:** This features a red primer to be used for starting in cool temperatures. It does not have a manual choke.

To start your engine, follow the instructions for your type of starting system.

Note: Equipment may have remote controls. See the equipment manual for location and operation of remote controls.

ReadyStart® System - Figure 4 5

1. Check the oil level. See the **How To Check/Add Oil** section.
2. Make sure equipment drive controls, if equipped, are disengaged.
3. Move the throttle control (A, Figure 4), if equipped, to the fast  position.
Operate the engine in the fast  position.
4. If the product is equipped with an engine stop lever (C), hold the engine stop lever against the handle (Figure 5).
5. **Rewind Start:** Firmly hold the starter cord handle (D). Pull the starter cord handle slowly until resistance is felt, then pull rapidly (Figure 4).

Note: If the engine does not start after repeated attempts, go to **BRIGGSandSTRATTON.COM** or call **1-800-233-3723** (in USA).





WARNING: Rapid retraction of the starter cord (kickback) will pull your hand and arm toward the engine faster than you can let go. Broken bones, fractures, bruises or sprains could result. When starting engine, pull the starter cord slowly until resistance is felt and then pull rapidly to avoid kickback.

6. **Electric Start:** Turn the electric start switch to the on/start position. See the equipment manual for the location and operation of the switch.
Note: If the engine does not start after repeated attempts, repeat Steps 4, 5, and 6. If it still does not start, go to **BRIGGSandSTRATTON.COM** or call **1-800-233-3723** (in USA).

NOTICE: To extend the life of the starter, use short starting cycles (five seconds maximum). Wait one minute between starting cycles.

Primer System - Figure 4 5

1. Check the oil level. See the **How To Check/Add Oil** section.
2. Make sure equipment drive controls, if equipped, are disengaged.
3. Move the throttle control (A, Figure 4), if equipped, to the fast  position.
Operate the engine in the fast  position.
4. Push the red primer (B) three times.
Note: Priming is usually unnecessary when restarting a warm engine.
Note: If you push the primer too many times, excessive fuel will flood the engine and it will be difficult to start.
5. If the product is equipped with an engine stop lever (C), hold the engine stop lever against the handle (Figure 5).
6. **Rewind Start:** Firmly hold the starter cord handle (D). Pull the starter cord handle slowly until resistance is felt, then pull rapidly (Figure 4).

Note: If the engine does not start after repeated attempts, repeat Steps 4, 5, and 6. If it still does not start, go to **BRIGGSandSTRATTON.COM** or call **1-800-233-3723** (in USA).



WARNING: Rapid retraction of the starter cord (kickback) will pull your hand and arm toward the engine faster than you can let go. Broken bones, fractures, bruises or sprains could result. When starting engine, pull the starter cord slowly until resistance is felt and then pull rapidly to avoid kickback.

7. **Electric Start:** Turn the electric start switch to the on/start position. See the equipment manual for the location and operation of the switch.
Note: If the engine does not start after repeated attempts, repeat Steps 4, 5, and 7. If it still does not start, go to **BRIGGSandSTRATTON.COM** or call **1-800-233-3723** (in USA).

NOTICE: To extend the life of the starter, use short starting cycles (five seconds maximum). Wait one minute between starting cycles.

How To Stop The Engine - Figure 4 5



WARNING




Fuel and its vapors are extremely flammable and explosive. Fire or explosion can cause severe burns or death.

- Do not choke the carburetor to stop engine.

1. Release the engine stop lever (E, Figure 5)

or

Engine with Throttle Control: Move the throttle control (A, Figure 4) to the stop  position

or

Engine with Electric Start: Turn the electric start switch to the off/stop position. See the equipment manual for the location and operation of the switch. Remove the key and keep in a safe place out of the reach of children.

Maintenance

NOTICE: If the engine is tipped during maintenance, the fuel tank **must be empty** and the spark plug side **must be up**. If the fuel tank is not empty and if the engine is tipped in any other direction, it may be difficult to start due to oil or gasoline contaminating the air filter and/or the spark plug.

We recommend that you see any Briggs & Stratton Authorized Dealer for all maintenance and service of the engine and engine parts.

NOTICE: All the components used to build this engine must remain in place for proper operation.

Emissions Control

Maintenance, replacement, or repair of the emissions control devices and systems may be performed by any non-road engine repair establishment or individual. However, to obtain "no charge" emissions control service, the work must be performed by a factory authorized dealer. See the Emissions Warranty.



WARNING



Unintentional sparking can result in fire or electric shock. Unintentional start-up can result in entanglement, traumatic amputation, or laceration. Fire hazard

Before performing adjustments or repairs:

- Disconnect the spark plug wire and keep it away from the spark plug.
- Disconnect battery at negative terminal (only engines with electric start.)
- Use only correct tools.
- Do not tamper with governor spring, links or other parts to increase engine speed.
- Replacement parts must be of the same design and installed in the same position as the original parts. Other parts may not perform as well, may damage the unit, and may result in injury.
- Do not strike the flywheel with a hammer or hard object because the flywheel may later shatter during operation.

When testing for spark:

- Use approved spark plug tester.
- Do not check for spark with spark plug removed.

Maintenance Chart

First 5 Hours
<ul style="list-style-type: none">Change oil
Every 8 Hours or Daily
<ul style="list-style-type: none">Check engine oil levelClean area around muffler and controlsClean finger guard
Every 25 Hours or Annually
<ul style="list-style-type: none">Clean air filter *Clean pre-cleaner *
Every 50 Hours or Annually
<ul style="list-style-type: none">Change engine oilInspect muffler and spark arrester
Annually
<ul style="list-style-type: none">Replace air filterReplace pre-cleanerReplace spark plugReplace fuel filterClean air cooling system *

* In dusty conditions or when airborne debris is present, clean more often.

Carburetor Adjustment

Never make adjustments to the carburetor. The carburetor was set at the factory to operate efficiently under most conditions. However, if adjustments are required, see any Briggs & Stratton Authorized Dealer for service.

NOTICE: The manufacturer of the equipment on which this engine is installed specifies the top speed at which the engine will be operated. **Do not exceed** this speed.

How To Replace The Spark Plug - Figure 6

Check the gap (A, Figure 6) with a wire gauge (B). If necessary, reset the gap. Install and tighten the spark plug to the recommended torque. For gap setting or torque, see the **Specifications** section.

Note: In some areas, local law requires using a resistor spark plug to suppress ignition signals. If this engine was originally equipped with a resistor spark plug, use the same type for replacement.

Inspect Muffler And Spark Arrester - Figure 7



WARNING



Running engines produce heat. Engine parts, especially muffler, become extremely hot.



Severe thermal burns can occur on contact.

Combustible debris, such as leaves, grass, brush, etc. can catch fire.

- Allow muffler, engine cylinder and fins to cool before touching.
- Remove accumulated debris from muffler area and cylinder area.
- It is a violation of California Public Resource Code, Section 4442, to use or operate the engine on any forest-covered, brush-covered, or grass-covered land unless the exhaust system is equipped with a spark arrester, as defined in Section 4442, maintained in effective working order. Other states or federal jurisdictions may have similar laws. Contact the original equipment manufacturer, retailer, or dealer to obtain a spark arrester designed for the exhaust system installed on this engine.

Remove accumulated debris from muffler area and cylinder area. Inspect the muffler (A, Figure 7) for cracks, corrosion, or other damage. Remove the spark arrester (B), if equipped, and inspect for damage or carbon blockage. If damage is found, install replacement parts before operating.



WARNING: Replacement parts must be of the same design and installed in the same position as the original parts. Other parts may not perform as well, may damage the unit, and may result in injury.

How To Change The Oil - Figure 2 8 9 10



WARNING



Fuel and its vapors are extremely flammable and explosive. Fire or explosion can cause severe burns or death.



- If you drain the oil from the top oil fill tube, the fuel tank must be empty or fuel can leak out and result in a fire or explosion.

Used oil is a hazardous waste product and must be disposed of properly. Do not discard with household waste. Check with your local authorities, service center, or dealer for safe disposal/recycling facilities.

Remove Oil

You can drain the oil from the bottom drain hole or from the top oil fill tube.

- With engine off but still warm, disconnect the spark plug wire (A) and keep it away from the spark plug (Figure 8).
- The engine is equipped with a bottom drain (B, Figure 9). Remove the oil drain plug (C). Drain the oil into an approved container.
Note: Any of the oil drain plugs (C) shown may be installed in the engine.
- After the oil has drained, install and tighten the oil drain plug.
- If you drain the oil from the top oil fill tube (D), keep the spark plug end of the engine (E) up (Figure 10). Drain the oil into an approved container.



WARNING: If you drain the oil from the top oil fill tube, the fuel tank must be empty or fuel can leak out and result in a fire or explosion. To empty the fuel tank, run the engine until it stops from lack of fuel.

Add Oil

- Place engine level.
 - Clean the oil fill area of any debris.
 - See the **Specifications** section for oil capacity.
- Remove the dipstick (F) and wipe with a clean cloth (Figure 2).
 - Pour the oil slowly into the engine oil fill (G). **Do not overfill.** After adding oil, wait one minute and then check the oil level.
 - Install and tighten the dipstick.
 - Remove the dipstick and check the oil level. It should be at the top of the full indicator (H) on the dipstick.
 - Install and tighten the dipstick.

How To Service The Air Filter - Figure 12



WARNING



Fuel and its vapors are extremely flammable and explosive. Fire or explosion can cause severe burns or death.



- Never start or run the engine with the air cleaner assembly (if equipped) or the air filter (if equipped) removed.

NOTICE: Do not use pressurized air or solvents to clean the filter. Pressurized air can damage the filter and solvents will dissolve the filter.

The air cleaner system uses a pleated filter with an optional pre-cleaner. The pre-cleaner can be washed and reused.

- Loosen the fastener (A) that holds the cover (B). See Figure 12.
- Open the cover and remove the pre-cleaner (C) and the filter (D).
- To loosen debris, gently tap the filter on a hard surface. If the filter is excessively dirty, replace with a new filter.
- Remove the pre-cleaner from the filter.
- Wash the pre-cleaner in liquid detergent and water. Then allow it to thoroughly air dry. **Do not** oil the pre-cleaner.
- Assemble the dry pre-cleaner to the filter.
- Install the filter.
- Close the cover and secure with the fastener.

How To Replace The Fuel Filter - *Figure 11*



WARNING

Fuel and its vapors are extremely flammable and explosive. Fire or explosion can cause severe burns or death.

- Keep fuel away from sparks, open flames, pilot lights, heat, and other ignition sources.
- Check fuel lines, tank, cap, and fittings frequently for cracks or leaks. Replace if necessary.
- Before cleaning or replacing the fuel filter, drain the fuel tank or close the fuel shut-off valve.
- Replacement parts must be the same and installed in the same position as the original parts.
- If fuel spills, wait until it evaporates before starting engine.

1. Before replacing the fuel filter (A, Figure 11), if equipped, drain the fuel tank or close the fuel shut-off valve. Otherwise, fuel can leak out and cause a fire or explosion.
2. Use pliers to squeeze tabs (B) on the clamps (C), then slide the clamps away from the fuel filter. Twist and pull the fuel lines (D) off the fuel filter.
3. Check the fuel lines for cracks or leaks. Replace if necessary.
4. Replace the fuel filter with an original equipment replacement filter.
5. Secure the fuel lines with the clamps as shown.

How To Clean The Air Cooling System - *Figure 13*



WARNING

Running engines produce heat. Engine parts, especially muffler, become extremely hot.

Severe thermal burns can occur on contact.

Combustible debris, such as leaves, grass, brush, etc. can catch fire.

- Allow muffler, engine cylinder and fins to cool before touching.
- Remove accumulated debris from muffler area and cylinder area.

NOTICE: Do not use water to clean the engine. Water could contaminate the fuel system. Use a brush or dry cloth to clean the engine. This is an air cooled engine. Dirt or debris can restrict air flow and cause the engine to overheat, resulting in poor performance and reduced engine life. Use a brush or dry cloth to remove debris from the finger guard (A). Keep linkage, springs and controls (B) clean. Keep the area around and behind the muffler (C) free of any combustible debris (Figure 13).

Storage



WARNING

Fuel and its vapors are extremely flammable and explosive. Fire or explosion can cause severe burns or death.

When Storing Fuel Or Equipment With Fuel In Tank

- Store away from furnaces, stoves, water heaters or other appliances that have pilot lights or other ignition sources because they can ignite fuel vapors.

Fuel System

Fuel can become stale when stored over 30 days. Stale fuel causes acid and gum deposits to form in the fuel system or on essential carburetor parts. To keep fuel fresh, use Briggs & Stratton FRESH START® fuel stabilizer, available as a liquid additive or a drip concentrate cartridge.

There is no need to drain gasoline from the engine if a fuel stabilizer is added according to instructions. Run the engine for 2 minutes to circulate the stabilizer throughout the fuel system. The engine and fuel can then be stored up to 24 months.

If gasoline in the engine has not been treated with a fuel stabilizer, it must be drained into an approved container. Run the engine until it stops from lack of fuel. The use of a fuel stabilizer in the storage container is recommended to maintain freshness.

Engine Oil

While the engine is still warm, change the engine oil.

NOTICE: Store the engine level (normal operating position). If the engine is tipped for storage, the fuel tank **must be empty** and the spark plug side **must be up**. If the fuel tank is not empty and if the engine is tipped in any other direction, it may be difficult to start due to oil or gasoline contaminating the air filter and/or the spark plug.

Troubleshooting

Need Assistance? Go to BRIGGSandSTRATTON.COM or call 1-800-233-3723.

Specifications

Engine Specifications

Model	90000
Displacement	8.53 ci (140 cc)
Bore	2.349 in (59.67 mm)
Stroke	1.968 in (49.99 mm)
Oil Capacity	18 - 20 oz (0.54 - 0.59 L)

Engine Specifications

Model	100000
Displacement	9.82 ci (161 cc)
Bore	2.520 in (64.01 mm)
Stroke	1.968 in (49.99 mm)
Oil Capacity	18 - 20 oz (0.54 - 0.59 L)

Tune-up Specifications *

Model	90000, 100000
Spark Plug Gap	0.020 in (0.51 mm)
Spark Plug Torque	180 lb-in (20 Nm)
Armature Air Gap	0.006 - 0.014 in (0.15 - 0.36 mm)
Intake Valve Clearance	0.004 - 0.006 in (0.10 - 0.15 mm)
Exhaust Valve Clearance	0.014 - 0.016 in (0.36 - 0.41 mm)

* Engine power will decrease 3.5% for each 1,000 feet (300 meters) above sea level and 1% for each 10° F (5.6° C) above 77° F (25° C). The engine will operate satisfactorily at an angle up to 15°. Refer to the equipment operator's manual for safe allowable operating limits on slopes.

Common Service Parts ✓

Service Part	Part Number
Air Filter, Oval	792038
Air Filter Pre-cleaner, Oval	793676
Oil - SAE 30	100005
FRESH START® Fuel Liquid	5041, 5058
FRESH START® Fuel Cartridge	699998, 5096
Spark Plug, Resistor	692051, 692720
Spark Plug Wrench	89838, 5023
Spark Tester	19368
Fuel Filter	298090, 5018

✓ We recommend that you see any Briggs & Stratton Authorized Dealer for all maintenance and service of the engine and engine parts.

LIMITED WARRANTY

Briggs & Stratton Corporation will repair or replace, free of charge, any part(s) of the engine that is defective in material or workmanship or both. Transportation charges on product submitted for repair or replacement under this warranty must be borne by purchaser. This warranty is effective for and is subject to the time periods and conditions stated below. For warranty service, find the nearest Authorized Service Dealer in our dealer locator map at BRIGGSandSTRATTON.COM, or by calling 1-800-233-3723, or as listed in the 'Yellow Pages'.

There is no other expressed warranty. Implied warranties, including those of merchantability and fitness for a particular purpose, are limited to one year from purchase, or to the extent permitted by law. All other implied warranties are excluded. Liability for incidental or consequential damages are excluded to the extent exclusion is permitted by law. Some states or countries do not allow limitations on how long an implied warranty lasts, and some states or countries do not allow the exclusion or limitation of incidental or consequential damages, so the above limitation and exclusion may not apply to you. This warranty gives you specific legal rights and you may also have other rights which vary from state to state and country to country.

STANDARD WARRANTY TERMS * ▲

Brand/Product Type	Consumer Use	Commercial Use
Vanguard™	2 years	2 years
Extended Life Series™; I/C®; Intek™ I/C®; Intek™ Pro; Professional Series™ with Dura-Bore™ Cast Iron Sleeve; 850 Series™ with Dura-Bore™ Cast Iron Sleeve; Snow Series MAX™ with Dura-Bore™ Cast Iron Sleeve All Other Briggs & Stratton Engines Featuring Dura-Bore™ Cast Iron Sleeve	2 years	1 year
All Other Briggs & Stratton Engines	2 years	90 days

* These are our standard warranty terms, but occasionally there may be additional warranty coverage that was not determined at time of publication. For a listing of current warranty terms for your engine, go to BRIGGSandSTRATTON.COM or contact your Authorized Briggs & Stratton Service Dealer.

▲ Engines used on Home Standby Generator applications are warranted under consumer use only. This warranty does not apply to engines on equipment used for prime power in place of a utility. **Engines used in competitive racing or on commercial or rental tracks are not warranted.**

The warranty period begins on the date of purchase by the first retail consumer or commercial end user, and continues for the period of time stated in the table above. "Consumer use" means personal residential household use by a retail consumer. "Commercial use" means all other uses, including use for commercial, income producing or rental purposes. Once an engine has experienced commercial use, it shall thereafter be considered as a commercial use engine for purposes of this warranty.

No warranty registration is necessary to obtain warranty on Briggs & Stratton Products. Save your proof of purchase receipt. If you do not provide proof of the initial purchase date at the time warranty service is requested, the manufacturing date of the product will be used to determine the warranty period.

About Your Warranty

Briggs & Stratton welcomes warranty repair and apologizes to you for being inconvenienced. Any Authorized Service Dealer may perform warranty repairs. Most warranty repairs are handled routinely, but sometimes requests for warranty service may not be appropriate.

If a customer differs with the decision of the Service Dealer, an investigation will be made to determine whether the warranty applies. Ask the Service Dealer to submit all supporting facts to his Distributor or the Factory for review. If the Distributor or the Factory decides that the claim is justified, the customer will be fully reimbursed for those items that are defective. To avoid misunderstanding which might occur between the customer and the Dealer, listed below are some of the causes of engine failure that the warranty does not cover.

Normal wear: Engines, like all mechanical devices, need periodic parts service and replacement to perform well. Warranty will not cover repair when normal use has exhausted the life of a part or an engine. Warranty would not apply if engine damage occurred because of misuse, lack of routine maintenance, shipping, handling, warehousing or improper installation. Similarly, warranty is void if the serial number of the engine has been removed or the engine has been altered or modified.

Improper maintenance: The life of an engine depends upon the conditions under which it operates, and the care it receives. Some applications, such as tillers, pumps and rotary mowers, are very often used in dusty or dirty conditions, which can cause what appears to be premature wear. Such wear, when caused by dirt, dust, spark plug cleaning grit, or other abrasive material that has entered the engine because of improper maintenance, is not covered by warranty.

This warranty covers engine related defective material and/or workmanship only, and not replacement or refund of the equipment to which the engine may be mounted. Nor does the warranty extend to repairs required because of:

- 1 Problems caused by parts that are not original Briggs & Stratton parts.**
- Equipment controls or installations that prevent starting, cause unsatisfactory engine performance, or shorten engine life. (Contact equipment manufacturer.)
- Leaking carburetors, clogged fuel pipes, sticking valves, or other damage, caused by using contaminated or stale fuel.

- 4 Parts which are scored or broken because an engine was operated with insufficient or contaminated lubricating oil, or an incorrect grade of lubricating oil (check and refill when necessary, and change at recommended intervals). OIL GARD may not shut down running engine. Engine damage may occur if oil level is not properly maintained.
- 5 Repair or adjustment of associated parts or assemblies such as clutches, transmissions, remote controls, etc., which are not manufactured by Briggs & Stratton.
- 6 Damage or wear to parts caused by dirt, which entered the engine because of improper air cleaner maintenance, re-assembly, or use of a non-original air cleaner element or cartridge. At recommended intervals, clean and/or replace the filter as stated in the Operator's Manual.
- 7 Parts damaged by over-speeding, or overheating caused by grass, debris, or dirt, which plugs or clogs the cooling fins, or flywheel area, or damage caused by operating the engine in a confined area without sufficient ventilation. Clean engine debris at recommended intervals as stated in the Operator's Manual.
- 8 Engine or equipment parts broken by excessive vibration caused by a loose engine mounting, loose cutter blades, unbalanced blades or loose or unbalanced impellers, improper attachment of equipment to engine crankshaft, over-speeding or other abuse in operation.
- 9 A bent or broken crankshaft, caused by striking a solid object with the cutter blade of a rotary lawn mower, or excessive v-belt tightness.
- 10 Routine tune-up or adjustment of the engine.
- 11 Engine or engine component failure, i.e., combustion chamber, valves, valve seats, valve guides, or burned starter motor windings, caused by the use of alternate fuels such as, liquified petroleum, natural gas, altered gasolines, etc.

Warranty service is available only through authorized service dealers by Briggs & Stratton Corporation. Locate your nearest Authorized Service Dealer in our dealer locator map on BRIGGSandSTRATTON.COM or by calling 1-800-233-3723, or as listed in the 'Yellow Pages'.

California, U.S. EPA, and Briggs & Stratton Corporation Emissions Control Warranty Statement Your Warranty Rights And Obligations

The California Air Resources Board, U.S. EPA, and Briggs & Stratton (B&S) are pleased to explain the emissions control system warranty on your Model Year 2009 and later engine/equipment. In California, new small off-road engines and large spark ignited engines less than or equal to 1.0 liter must be designed, built, and equipped to meet the State's stringent anti-smog standards. B&S must warrant the emissions control system on your engine/equipment for the periods of time listed below provided there has been no abuse, neglect, or improper maintenance of your engine or equipment.

Your emissions control system may include parts such as the carburetor or fuel injection system, fuel tank, ignition system, and catalytic converter. Also included may be hoses, belts, connectors, sensors, and other emissions-related assemblies.

Where a warrantable condition exists, B&S will repair your engine/equipment at no cost to you including diagnosis, parts, and labor.

Manufacturer's Warranty Coverage:

Small off-road engines and large spark ignited engines less than or equal to 1.0 liter are warranted for two years. If any emissions-related part on your engine/equipment is defective, the part will be repaired or replaced by B&S.

Owner's Warranty Responsibilities:

- As the engine/equipment owner, you are responsible for the performance of the required maintenance listed in your owner's manual. B&S recommends that you retain all receipts covering maintenance on your engine/equipment, but B&S cannot deny warranty solely for the lack of receipts or your failure to ensure the performance of all scheduled maintenance.
- As the engine/equipment owner, you should however be aware that B&S may deny you warranty coverage if your engine/equipment or a part has failed due to abuse, neglect, improper maintenance, or unapproved modifications.
- You are responsible for presenting your engine/equipment to a B&S distribution center, servicing dealer, or other equivalent entity, as applicable, as soon as a problem exists. The warranty repairs should be completed in a reasonable amount of time, not to exceed 30 days. If you have any questions regarding your warranty rights and responsibilities, you should contact B&S at (414) 259-5262.

Briggs & Stratton Emissions Control Warranty Provisions

The following are specific provisions relative to your Emissions Control Warranty Coverage. It is in addition to the B&S engine warranty for non-regulated engines found in the Operator's Manual.

1. Warranted Emissions Parts

Coverage under this warranty extends only to the parts listed below (the emissions control systems parts) to the extent these parts were present on the engine purchased.

- Fuel Metering System
 - Cold start enrichment system (soft choke)
 - Carburetor and internal parts
 - Fuel pump
 - Fuel line, fuel line fittings, clamps
 - Fuel tank, cap and tether
 - Carbon canister
- Air Induction System
 - Air cleaner
 - Intake manifold
 - Purge and vent line
- Ignition System
 - Spark plug(s)
 - Magneto ignition system
- Catalyst System
 - Catalytic converter
 - Exhaust manifold
 - Air injection system or pulse valve
- Miscellaneous Items Used in Above Systems
 - Vacuum, temperature, position, time sensitive valves and switches
 - Connectors and assemblies

2. Length of Coverage

For a period of two years from date of original purchase, B&S warrants to the original purchaser and each subsequent purchaser that the engine is designed, built, and equipped so as to conform with all applicable regulations adopted by the Air Resources Board; that it is free from defects in material and workmanship that could cause the failure of a warranted part; and that it is identical in all material respects to the engine described in the manufacturer's application for certification. The warranty period begins on the date the engine is originally purchased.

The warranty on emissions-related parts is as follows:

- Any warranted part that is not scheduled for replacement as required maintenance in the owner's manual supplied, is warranted for the warranty period stated above. If any such part fails during the period of warranty coverage, the part will be repaired or replaced by B&S at no charge to the owner. Any such part repaired or replaced under the warranty will be warranted for the remaining warranty period.
 - Any warranted part that is scheduled only for regular inspection in the owner's manual supplied, is warranted for the warranty period stated above. Any such part repaired or replaced under warranty will be warranted for the remaining warranty period.
 - Any warranted part that is scheduled for replacement as required maintenance in the owner's manual supplied, is warranted for the period of time prior to the first scheduled replacement point for that part. If the part fails prior to the first scheduled replacement, the part will be repaired or replaced by B&S at no charge to the owner. Any such part repaired or replaced under warranty will be warranted for the remainder of the period prior to the first scheduled replacement point for the part.
 - Add on or modified parts that are not exempted by the Air Resources Board may not be used. The use of any non exempted add on or modified parts by the owner will be grounds for disallowing a warranty claim. The manufacturer will not be liable to warrant failures of warranted parts caused by the use of a non exempted add on or modified part.
- Consequential Coverage
Coverage shall extend to the failure of any engine components caused by the failure of any warranted emissions parts.
 - Claims and Coverage Exclusions

Warranty claims shall be filed according to the provisions of the B&S engine warranty policy. Warranty coverage does not apply to failures of emissions parts that are not original equipment B&S parts or to parts that fail due to abuse, neglect, or improper maintenance as set forth in the B&S engine warranty policy. B&S is not liable for warranty coverage of failures of emissions parts caused by the use of add-on or modified parts.

Look For Relevant Emissions Durability Period and Air Index Information On Your Small Off-Road Engine Emissions Label

Engines that are certified to meet the California Air Resources Board (CARB) small off-road Emissions Standard must display information regarding the Emissions Durability Period and the Air Index. Briggs & Stratton makes this information available to the consumer on our emissions labels. The engine emissions label will indicate certification information.

The **Emissions Durability Period** describes the number of hours of actual running time for which the engine is certified to be emissions compliant, assuming proper maintenance in accordance with the Operating & Maintenance Instructions. The following categories are used:

Moderate:

Engine is certified to be emissions compliant for 125 hours of actual engine running time.

Intermediate:

Engine is certified to be emissions compliant for 250 hours of actual engine running time.

Extended:

Engine is certified to be emissions compliant for 500 hours of actual engine running time. For example, a typical walk-behind lawn mower is used 20 to 25 hours per year.

Therefore, the **Emissions Durability Period** of an engine with an **intermediate** rating would equate to 10 to 12 years.

Briggs & Stratton engines are certified to meet the United States Environmental Protection Agency (USEPA) Phase 2 emissions standards. For Phase 2 certified engines, the Emissions Compliance Period referred to on the Emissions Compliance label indicates the number of operating hours for which the engine has been shown to meet Federal emissions requirements.

For engines less than 225 cc displacement.

Category C = 125 hours, Category B = 250 hours, Category A = 500 hours

For engines of 225 cc or more displacement.

Category C = 250 hours, Category B = 500 hours, Category A = 1000 hours

Všeobecné informace

Tato příručka obsahuje bezpečnostní informace nezbytné pro to, abyste věděli, jaká nebezpečí a rizika souvisí s motory a jak se jim vyhnout. Obsahuje i pokyny, jak řádně motor používat a jak se něj starat. Vzhledem k tomu, že korporace Briggs & Stratton nemusí nutně vědět, jaké zařízení bude tento motor pohánět, je důležité, abyste si přečetli a pochopili tyto pokyny a pokyny pro zařízení, které tento motor pohání. **Uschovejte originál těchto pokynů pro budoucí použití.**

Potřebujete-li náhradní díly nebo technickou pomoc, запиšte dolů model motoru, typové a kódové číslo a datum nákupu. Tato naleznete na svém motoru (viz kapitola **Funkce a ovládací prvky**).

Datum nákupu: _____
DD/MM/RRRR

Model motoru: _____
Model: Typ: Kód:

Informace o jmenovitém výkonu motoru

Hrubý výkon jednotlivých modelů benzínových motorů je uváděn v souladu s normou J1940 pro postup při stanovování výkonu a krouticího momentu u malých motorů (Small Engine Power & Torque Rating Procedure) vydané asociací SAE (Society of Automotive Engineers) a výkon byl získán a přepočten v souladu s normou SAE J1995 (revize 2002-05). Hodnoty krouticího momentu byly získány při 3060 RPM (ot./min.) a hodnoty výkonu v koních byly získány při 3600 RPM (ot./min.) Skutečný hrubý výkon motoru bude nižší, což je ovlivněno mimo jiné provozními podmínkami prostředí a rozdíly mezi jednotlivými vyrobenými kusy motorů. Z důvodu široké škály produktů, do nichž se naše motory umísťují a různých vnějších faktorů vztahujících se k provozu zařízení, nemusí benzínový motor při použití v konkrétním druhu zařízení dosahovat hrubého výkonu (skutečného výkonu „na místě instalace“ nebo čistého výkonu). Tento rozdíl je způsoben mnoha faktory, mezi něž patří použité příslušenství (jako je například vzduchový filtr, výfuk, plnění, chlazení, karburátor, palivové čerpadlo atd.), omezení využití, provozní podmínky prostředí (teplota, vlhkost, nadmořská výška) a rozdíly mezi jednotlivými vyrobenými kusy motoru V důsledku výrobních a kapacitních omezení může společnost Briggs & Stratton nahradit motor této série motorem o vyšším výkonu.

Bezpečnost obsluhy

BEZPEČNOSTNÍ A KONTROLNÍ SYMBOLY



Požár



Pohyblivé části



Olej



Toxické výparu



Pomalu



Rychle



Stop



Výbuch



Úraz elektrickým proudem



Palivo



Sytič



Zapnuto/Vypnuto



Uzavěr paliva



Zpětný ráz



Používejte ochranu zraku



Nebezpečná chemikálie




Čtěte návod





Horký povrch




Omrzliny

Symbol bezpečnostního upozornění  označuje bezpečnostní informace týkající se rizik, která mohou způsobit úraz. Signální slovo (NEBEZPEČÍ, UPOZORNĚNÍ nebo VÝSTRAHA) se používá spolu s varovným symbolem pro vyznačení pravděpodobnosti a potenciální vážnosti úrazu. Mimo to může být pro označení druhu nebezpečí použit symbol nebezpečí.

 **NEBEZPEČÍ** označuje ohrožení, které, není-li eliminováno, způsobí smrt nebo vážný úraz.

 **VAROVÁNÍ** označuje ohrožení, které, není-li eliminováno, může způsobit smrt nebo vážný úraz.

 **POZOR** označuje ohrožení, které, není-li eliminováno, může způsobit lehký, nebo středně těžký úraz.

POZNÁMKA označuje situaci, v níž by mohlo dojít k poškození produktu.



VAROVÁNÍ

Některé součásti tohoto produktu a související příslušenství obsahují chemické látky, o nichž je ve státě Kalifornie známo, že způsobují rakovinu, poškození plodu či jiné poruchy reprodukce. Po manipulaci si umyjte ruce.



VAROVÁNÍ

Výfukové plyny tohoto výrobku obsahují chemikálie, o nichž je ve státě Kalifornie známo, že způsobují rakovinu, poškození plodu či jiné poruchy reprodukce.



VAROVÁNÍ

Briggs & Stratton neschvaluje ani nepovoluje použití těchto motorů na tříkolových terénních vozidlech (ATV), motocyklech, zábavních/rekreačních motokárách, letadlech nebo vozidlech určených pro sportovní soutěže. Takové použití těchto motorů by mohlo vést ke škodám na majetku, vážnému zranění (včetně ochrnutí) nebo i ke smrtelnému úrazu.

POZNÁMKA: Tento motor je dodáván firmou Briggs & Stratton bez oleje. Před spuštěním motoru zkontrolujte hladinu oleje. Pokud spustíte motor bez oleje, může dojít k jeho neopravitelnému poškození, na které se nebude vztahovat záruka.



VAROVÁNÍ



Palivo a jeho páry jsou vysoce hořlavé a výbušné.



Požár nebo výbuch může způsobit vážné popáleniny nebo i smrt

Když doplňujete palivo

- Vypněte motor a před sejmutím uzávěru palivové nádrže jej nechte nejméně 2 minuty chladnout.
- Nádrž plňte venku nebo v dobře větraném prostoru.
- Palivovou nádrž nepřepĺňujte. Kvůli tepelné roztažnosti paliva naplňte nádrž jen po spodní okraj hrdla.
- Chraňte palivo před jiskrami, otevřeným ohněm, věčným plamínkem, teplem a jinými zdroji zapálení.
- Kontrolujte palivové potrubí, nádrž a uzávěr a všechny spoje na těsnost a praskliny. V případě potřeby proveďte výměnu.
- Jestliže rozlijete palivo, počkejte, až se odpaří a teprve potom spustte motor.

Při spouštění motoru

- Zkontrolujte, zda jsou na svém místě svíčky, tlumič výfuku, víčko palivové nádrže a vzduchový filtr (je-li jím motor vybaven), a zda jsou dobře zajištěny.
- Neotáčejte motorem při odstraněné svíčce.
- Při přeplavení motoru nastavte sytič (je-li k dispozici) do polohy OPEN/RUN (chod) a škrtněte klapku do polohy FAST (rychle) a protáčejte motor, dokud nenaskočí.

Při obsluze zařízení

- Nenaclánějte motor ani zařízení do polohy, která by způsobila únik paliva.
- Motor se nesmí zastavovat zahlcením karburátoru.
- Nespuštějte ani neprovozujte motor s odmontovanou sestavou vzduchového filtru (je-li jím motor vybaven) nebo s vyjmutým vzduchovým filtrem (je-li jím motor vybaven).

Při výměně oleje

- Když vypouštíte olej z horní plnicí olejové trubky, musí být palivová nádrž prázdná, protože jinak může palivo unikat z nádrže a způsobit požár nebo explozi.

Při přepravě zařízení

- Zařízení přepravujte s PRÁZDNOU palivovou nádrží nebo zavřeným palivovým kohoutem.

Při skladování paliva nebo zařízení s palivem v nádrži

- Uložte odděleně od pečí, kamen, ohřivačů vody či jiných zařízení, která mají věčný plamínek nebo od jiných zdrojů zapálení. Mohou zažehnout výparu z paliva.



VAROVÁNÍ



Spouštění motoru je doprovázené jiskřením.
Jiskření může zažehnout přítomné hořlavé plyny.
Výsledkem může být požár nebo výbuch.

- Nespouštějte motor, uniká-li v prostoru zemní plyn nebo propan-butan (LPG).
- Nepoužívejte stlačené startovací kapaliny, jejich páry jsou hořlavé.



VAROVÁNÍ



Motory produkují oxid uhelnatý, což je bezbarvý jedovatý plyn bez zápachu.

Vdechování oxidu uhelnatého může způsobit nevolnost, mdloby až smrt.

- Spouštějte a provozujte motor venku.
- Nespouštějte ani neprovozujte motor v uzavřeném prostoru, i když jsou otevřená okna i dveře.



VAROVÁNÍ



Rychlé zatažení (zpětné "kopnutí") lanka spouštěče přitáhne ruku a paži k motoru rychleji, než ho stačíte pustit.

Je tu nebezpečí zlomeniny, odření nebo natažení šlach.

- Při startování motoru táhněte za lanko spouštěče pomalu, dokud neucítíte odpor a pak rychle zatáhněte, abyste zabránili zpětnému kopnutí.
- Před spuštěním motoru zbavte motor veškerého vnějšího vybavení/zátěže.
- Přímo spřažené součásti zařízení, např. nože, oběžná kola, řemenice, ozubená kola atd., musí být bezpečně upevněny.



VAROVÁNÍ



Otáčivé části se mohou dostat do styku nebo zachytit ruce, nohy, vlasy, oděv či výstroj.

Může dojít k těžkým tržným ranám až amputacím končetin.

- Provozujte zařízení pouze s upevněnými ochrannými kryty.
- Nepřibližujte ruce a nohy k rotujícím částem.
- Sepněte si dlouhé vlasy a sejměte šperky.
- Nenoste volně vlající oděv, volně visící stahovací tkalouny a šňůry, jež mohou být zachyceny.



VAROVÁNÍ



Provozem motorů se vytváří teplo. Díly motoru, zejména tlumič výfuku, jsou za provozu extrémně horké.

Ve styku s nimi mohou vzniknout vážné popáleniny.

Hořlavý materiál, jako je listí, tráva, roští atd., může vzplanout.

- Před manipulací nechte tlumič výfuku, válec a žebra motoru vychladnout.
- Odstraňujte hořlavé nečistoty, hromadící se v prostoru tlumiče a válce.
- Při použití zařízení na zalesněném, travnatém nebo křovím porostlém pozemku bez lapače jisker nainstalovaného ve výfukovém systému a udržovaného v řádném funkčním stavu porušujete ustanovení paragrafu 4442 Zákona o veřejných zdrojích státu Kalifornie. Jiné státy nebo federální jurisdikce mohou mít podobné zákony. Chcete-li zakoupit lapač jisker vhodný pro výfukový systém nainstalovaný na tomto motoru, kontaktujte výrobce původního zařízení, prodejce nebo dodavatele.



VAROVÁNÍ



Neúmyslné jiskření může způsobit požár nebo úraz elektrickým proudem.



Neúmyslné spuštění motoru může způsobit zachycení, amputaci končetiny nebo tržné rány.

Riziko požáru



Před prováděním seřizování nebo oprav:

- Odpojte kabel od zapalovací svíčky a uložte jej dále od zapalovací svíčky.
- Odpojte kabel od záporného vývodu akumulátoru (jen pokud je motor vybaven elektrickým spouštěčem).
- Používejte pouze správné nástroje.
- Otáčky motoru se nesmí zvyšovat úpravami pružin regulátoru, táhel a ostatních dílů.
- Náhradní díly musí mít stejné provedení jako původní díly a musí být nainstalovány ve stejné poloze. Jiné díly nemusí poskytovat požadovaný výkon, mohou poškodit zařízení nebo způsobit zranění.
- Na setrvačnicku netlučte kladivem nebo tvrdým předmětem, protože hrozí rozpad setrvačnicku při dalším provozu.

Při zkoušení svíčky:

- Použijte schválenou zkoušečku zapalovacích svíček
- Nezkoušejte jiskru zapalování při vyjmuté svíčke.

Funkce a ovládací prvky

Porovnávejte ilustrace **1** s motorem, abyste se seznámili s umístěním různých funkcí a ovládacích prvků.

- A. Identifikace motoru
Model Typ Kód
- B. Zapalovací svíčka
- C. Nastříkovač paliva (volitelné vybavení)
- D. Palivová nádrž a víčko
- E. Vzduchový filtr
- F. Rukojeť lanka spouštěče
- G. Ponomá měrka oleje
- H. Vypouštěcí zátka oleje
- I. Tlumič výfuku
Kryt tlumiče (volitelný)
Jiskrojem (volitelný)
- J. Ovladač škrtící klapky (volitelný)
- K. Palivový filtr (volitelné vybavení)
- L. Chránič prstů
- M. Elektrický startér

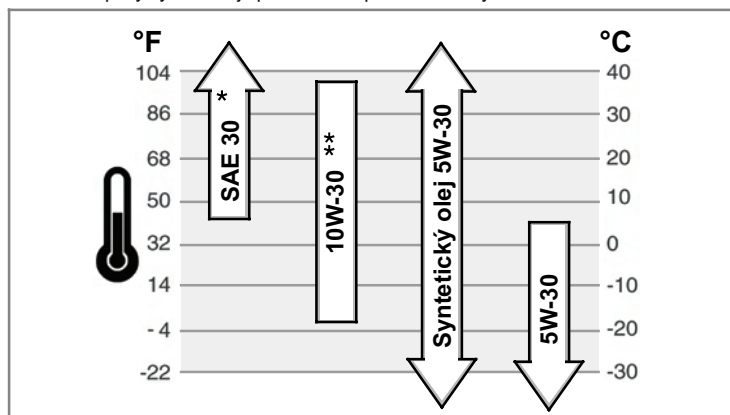
Fungování

Objem oleje (viz část **Specifikace**)

Doporučené oleje

Nejlepší výkonnosti dosáhnete, budete-li používat doporučené oleje používat značky Briggs & Stratton s potvrzenou zárukou. Ostatní vysoce jakostní detergentní oleje jsou přijatelné, jestliže jsou klasifikovány minimálně pro SF, SG, SH, SJ. Nepoužívejte zvláštní aditiva.

Venkovní teploty určují správnou viskozitu oleje pro motor. Pro očekávaný rozsah venkovní teploty vyberte nejlepší viskozitu pomocí tabulky.



* Používání oleje SAE 30 při teplotách nižších než 4°C (40°F) způsobuje obtížné startování.

** Použití oleje 10W-30 při teplotách nad 27°C (80°F) může způsobit zvýšenou spotřebu oleje. V tomto případě kontrolujte častěji stav oleje.

Postup kontroly/přidání oleje – obrázek 2

Před doplněním nebo kontrolou oleje

- Motor dejte do vodorovné polohy.
- Vyčistěte prostor pro doplňování oleje od nečistot.
- 1. Vyjměte měrku (F) a otřete ji čistým hadříkem (obrázek 2).
- 2. Vložte měrku zpět a utáhněte ji.
- 3. Vyjměte měrku a zkontrolujte hladinu oleje. Měla by být v horní části indikátoru full (H) na měrce.
- 4. Pokud je hladina oleje nízká, nalévejte olej pomalu do plnicího otvoru (G). **Dejte pozor, abyste jej nepřelili.** Po doplnění oleje počkejte jednu minutu a pak stav oleje znovu zkontrolujte.
- 5. Zasuňte měrku zpět a utáhněte ji.

Doporučení týkající se benzínu

Palivo musí splňovat následující požadavky:

- Používejte čistý, čerstvý bezolovnatý benzín.
- Minimálně 87 oktanů/87 AKI (91 RON). V případě, že používáte stroj ve vyšších nadmořských výškách, viz níže.
- Přijatelný je benzín obsahující do 10 % ethanolu (směsi benzínu s alkoholem) nebo do 15 % MTBE (methyl-tercio-butyl-ether).

POZNÁMKA: Nepoužívejte neschválené benzíny, jako například E85. Nepřidávejte do benzínu olej ani neupravujte motor pro provoz s alternativními palivy. Došlo by k poškození součástí motoru a **ztrátě záruky na motor.**

Do paliva přidávejte stabilizátor paliva, abyste zabránili tvorbě pryskyřičných usazenin v palivové soustavě. Viz **Skladování**. Všechna paliva nejsou stejná. Pokud se objeví problémy se spouštěním nebo výkonností motoru, změňte dodavatele paliva nebo značku. Tento motor je úředně schválen jako benzínový motor. Systém řízení emisí tohoto motoru je EM (Engine Modifications).

Vyšší nadmořské výšky

Ve výškách nad 1 524 m (5 000 stop) je přípustný minimálně 85oktanový/85 AKI (89 RON) benzín. Aby byly dodrženy emisní limity, musí být motor pro vyšší nadmořské výšky seřízen. Provoz bez tohoto seřízení způsobí sníženou výkonnost, zvýšenou spotřebu paliva a zvýšené emise. Informace o seřízení pro vyšší nadmořské výšky získáte u autorizovaného prodejce značky Briggs & Stratton.

Provoz motoru při nadmořských výškách pod 762 m (2 500 stop) s přestavbou pro vyšší nadmořské výšky se nedoporučuje.

Postup doplnění paliva – obrázek 3



VAROVÁNÍ



Palivo a jeho páry jsou vysoce hořlavé a výbušné.

Požár nebo výbuch může způsobit vážné popáleniny nebo i smrt



Když doplňujete palivo

- Vypněte motor a před sejmutím uzávěru palivové nádrže jej nechte nejméně 2 minuty chladnout.
- Nádrž plňte venku nebo v dobře větraném prostoru.
- Palivovou nádrž nepřepĺňujte. Kvůli tepelné roztažnosti paliva naplňte nádrž jen po spodní okraj hrdla.
- Chraňte palivo před jiskrami, otevřeným ohněm, věčným plamínkem, teplem a jinými zdroji zapálení.
- Kontrolujte palivové potrubí, nádrž a uzávěr a všechny spoje na těsnost a praskliny. V případě potřeby proveďte výměnu.
- Jestliže rozlijete palivo, počkejte, až se odpaří a teprve potom spustte motor.

1. Odstraňte z oblasti kolem uzávěru palivové nádrže. Sejměte uzávěr palivové nádrže (A, viz obrázek 3).
2. Naplňte palivovou nádrž (B) benzínem. Kvůli tepelné roztažnosti benzínu dbejte na to, aby při plnění hladina nepřesáhla spodní část hrdla palivové nádrže (C).
3. Nasadte uzávěr palivové nádrže.

Jak nastartovat motor



VAROVÁNÍ



Rychlé zatažení (zpětné "kopnutí") lanka spouštěče přitáhne ruku a paži k motoru rychleji, než ho stačí pustit.

Je tu nebezpečí zlomeniny, odření nebo natažení šlach.

- Při startování motoru táhněte za lanko spouštěče pomalu, dokud neucítíte odpor a pak rychle zatahněte, abyste zabránili zpětnému kopnutí.



VAROVÁNÍ



Palivo a jeho páry jsou vysoce hořlavé a výbušné.

Požár nebo výbuch může způsobit vážné popáleniny nebo i smrt



Při spouštění motoru

- Zkontrolujte, zda jsou na svém místě svíčky, tlumič výfuku, víčko palivové nádrže a vzduchový filtr (je-li jím motor vybaven), a zda jsou dobře zajištěny.
- Neotáčejte motorem při odstraněné svíčce.
- Při přeplavení motoru nastavte sytič (je-li k dispozici) do polohy OPEN/RUN (chod) a škrtící klapku do polohy FAST (rychle) a protáčejte motor, dokud nenaskočí.



VAROVÁNÍ



Motory produkují oxid uhelnatý, což je bezbarvý jedovatý plyn bez zápachu.

Vdechování oxidu uhelnatého může způsobit nevolnost, mdloby až smrt.

- Spouštějte a provozujte motor venku.
- Nespouštějte ani neprovozujte motor v uzavřeném prostoru, i když jsou otevřená okna i dveře.

POZNÁMKA: Tento motor byl odeslán společností Briggs & Stratton bez oleje. Než motor nastartujete, ještě jednou zkontrolujte, zda jste doplnili olej podle pokynů uvedených v této příručce. Jestliže nastartujete motor bez oleje, poškodí se tak, že už nepůjde opravit a nebude kryt žádnou zárukou.

Určete typ spouštěcího systému



Před spuštěním motoru musíte zjistit, jaký typ spouštěcího systému motor používá. Váš motor se může spouštět pomocí jednoho z následujících typů systémů.

- **Systém ReadyStart®**: Tento systém disponuje teplotně regulovaným automatickým sytičem. Nepoužívá se u něj manuální ovládání sytiče ani tlačítko pro nástřik paliva.
- **Systém s nastřikovačem paliva**: Tento systém disponuje červeným nastřikovačem paliva pro lehký start, který se používá ke startování motoru v chladném období. Nepoužívá se u něj manuální ovládání sytiče.

Chcete-li spustit motor, postupujte podle pokynů pro váš typ spouštěcího systému.

Poznámka: Některá zařízení jsou vybavena dálkovým ovládáním. Popis umístění a funkce tohoto dálkového ovládání najdete v příručce k zařízení.

Systém ReadyStart® – obrázek 4 5



1. Zkontrolujte stav oleje. Viz část **Kontrola/doplňování oleje**.
2. Zkontrolujte, zda jsou ovládací prvky pohonu (pokud je jimi zařízení vybaveno) vypnuty.
3. Posuňte ovládání škrtící klapky (A, obrázek 4), je-li jí motor vybaven, do polohy fast . Zařízení používejte v poloze fast .
4. Je-li produkt vybaven pákou pro zastavení motoru (C), podržte páku pro zastavení motoru proti rukojeti (viz obrázek 5).
5. **Spouštění pomocí lanka:** Pevně uchopte rukojeť lanka spouštěče (D). Táhněte za lanko spouštěče pomalu, dokud neucítíte odpor. Pak zatáhněte prudce (obrázek 4).
Poznámka: Pokud motor ani po třech opakovaných pokusech nenastartuje, navštivte stránku **BRIGGSandSTRATTON.COM** nebo zavolejte na telefonní číslo **1-800-233-3723** (v USA).



VAROVÁNÍ: Rychlé zatažení (zpětné "kopnutí") lanka spouštěče přitáhne ruku a paži k motoru rychleji, než je stačí pustit. Je tu nebezpečí zlomeniny, odření nebo natažení šlach. Při startování motoru táhněte za lanko spouštěče pomalu, dokud neucítíte odpor a pak rychle zatáhněte, abyste zabránili zpětnému kopnutí.

6. **Elektrické spouštění:** Přepněte vypínač elektrického spouštění do polohy on/start. Popis umístění a funkce tohoto spínače najdete v příručce k zařízení.
Poznámka: Pokud motor ani po třech opakovaných pokusech nenastartuje, navštivte stránku **BRIGGSandSTRATTON.COM** nebo zavolejte na telefonní číslo **1-800-233-3723** (v USA).
POZNÁMKA: Chcete-li prodloužit životnost spouštěče, používejte krátké spouštěcí cykly (maximálně pět sekund). Mezi spouštěcími cykly počkejte jednu minutu.

Systém se vstřikovačem paliva – obrázek 4 5

1. Zkontrolujte stav oleje. Viz část **Kontrola/doplňování oleje**.
2. Zkontrolujte, zda jsou ovládací prvky pohonu (pokud je jimi zařízení vybaveno) vypnuty.
3. Posuňte ovládání škrtící klapky (A, obrázek 4), je-li jí motor vybaven, do polohy fast . Zařízení používejte v poloze fast .
4. Tříkrát za sebou stisknete červený balónek nastřikovače (B).
Poznámka: Nasávání paliva není obvykle potřeba při opakovaném startu teplého motoru.
Poznámka: Pokud stisknete balónek nastřikovače zbytečně vícekrát, dojde k zaplavení karburátoru nadměrným množstvím paliva a motor bude obtížně startovat.
5. Je-li produkt vybaven pákou pro zastavení motoru (C), podržte páku pro zastavení motoru proti rukojeti (viz obrázek 5).
6. **Spouštění pomocí lanka:** Pevně uchopte rukojeť lanka spouštěče (D). Táhněte za lanko spouštěče pomalu, dokud neucítíte odpor. Pak zatáhněte prudce (obrázek 4).
Poznámka: Pokud motor ani po třech opakovaných pokusech nenastartuje, opakujte kroky 4, 5 a 6. Pokud ani poté nenastartuje, navštivte stránku **BRIGGSandSTRATTON.COM** nebo zavolejte na telefonní číslo **1-800-233-3723** (v USA).



VAROVÁNÍ: Rychlé zatažení (zpětné "kopnutí") lanka spouštěče přitáhne ruku a paži k motoru rychleji, než je stačí pustit. Je tu nebezpečí zlomeniny, odření nebo natažení šlach. Při startování motoru táhněte za lanko spouštěče pomalu, dokud neucítíte odpor a pak rychle zatáhněte, abyste zabránili zpětnému kopnutí.

7. **Elektrické spouštění:** Přepněte vypínač elektrického spouštění do polohy on/start. Popis umístění a funkce tohoto spínače najdete v příručce k zařízení.
Poznámka: Pokud motor ani po třech opakovaných pokusech nenastartuje, opakujte kroky 4, 5 a 7. Pokud ani poté nenastartuje, navštivte stránku

BRIGGSandSTRATTON.COM nebo zavolejte na telefonní číslo **1-800-233-3723** (v USA).

POZNÁMKA: Chcete-li prodloužit životnost spouštěče, používejte krátké spouštěcí cykly (maximálně pět sekund). Mezi spouštěcími cykly počkejte jednu minutu.

Jak zastavit motor – obrázek 4 5



VAROVÁNÍ



Palivo a jeho páry jsou vysoce hořlavé a výbušné.




Požár nebo výbuch může způsobit vážné popáleniny nebo i smrt

- Motor se nesmí zastavovat zahlením karburátoru.

1. Uvolněte hrazdičku pro ovládání brzdy motoru (E, obrázek 5)

nebo

Motor s páčkou škrtící klapky: Posuňte ovládání škrtící klapky (A, obrázek 4) do polohy stop 

nebo

Motor s elektrickým spouštěním: Přepněte vypínač elektrického spouštění do polohy off/stop. Popis umístění a funkce tohoto spínače najdete v příručce k zařízení. Vyjměte klíček a uložte jej na bezpečném místě mimo dosah dětí.

Údržba

POZNÁMKA: Pokud chcete motor během údržby obrátit, musí být palivová nádrž prázdná a zapalovací svíčka musí směřovat nahoru. Není-li palivová nádrž prázdná nebo je-li motor obrácen jiným směrem, může dojít v důsledku znečištění vzduchového filtru a/nebo zapalovací svíčky olejem nebo benzínem k problémům při startování. Doporučujeme svěžit veškerý servis a údržbu motoru a jejich dílů některému autorizovanému prodejci značky Briggs & Stratton.

POZNÁMKA: Aby motor správně fungoval, musí všechny jeho součásti zůstat na svém místě.

Omezení emisí

Údržbu, výměnu nebo opravu zařízení a systémů řízení emisí může provádět jakékoli zařízení nebo osoba zabývající se opravami nesilničních motorů. Chcete-li však mít servis řízení emisí „zdarma“, musí práci provádět prodejce autorizovaný továrnou. Viz záruka dodržování emisních limitů.



VAROVÁNÍ



Neúmyslné jiskření může způsobit požár nebo úraz elektrickým proudem.



Neúmyslné spuštění motoru může způsobit zachycení, amputaci končetiny nebo tržné rány.



Riziko požáru

Před prováděním seřizování nebo oprav:

- Odpojte kabel od zapalovací svíčky a uložte jej dále od zapalovací svíčky.
- Odpojte kabel od záporného vývodu akumulátoru (jen pokud je motor vybaven elektrickým spouštěčem).
- Používejte pouze správné nástroje.
- Otáčky motoru se nesmí zvyšovat úpravami pružin regulátoru, táhel a ostatních dílů.
- Náhradní díly musí mít stejné provedení jako původní díly a musí být nainstalovány ve stejné poloze. Jiné díly nemusí poskytovat požadovaný výkon, mohou poškodit zařízení nebo způsobit zranění.
- Na setrvačnick netlučte kladivem nebo tvrdým předmětem, protože hrozí rozpad setrvačnicku při dalším provozu.

Při zkoušení svíčky:

- Použijte schválenou zkoušečku zapalovacích svíček
- Nezkoušejte jiskru zapalování při vyjmuté svíčke.

Tabulka údržby

Prvních 5 pracovních hodin
<ul style="list-style-type: none">Vyměňte olej
Každých 8 hodin provozu nebo denně
<ul style="list-style-type: none">Zkontrolujte stav oleje v motoruVyčistěte oblast kolem tlumiče výfuku a ovládacích prvkůVyčistěte chránič prstů
Každých 25 hodin nebo jednou ročně
<ul style="list-style-type: none">Vyčistěte vzduchový filtr *Vyčistěte předfiltr *
Každých 50 hodin nebo jednou za rok
<ul style="list-style-type: none">Vyměňte olej v motoruZkontrolujte tlumič výfuku a lapač jisker
Jednou ročně
<ul style="list-style-type: none">Vyměňte vzduchový filtr.Vyměňte předfiltrVyměňte zapalovací svíčkyVyměňte palivový filtrVyčistěte vzduchový chladicí systém *

* V prašném prostředí nebo v prostředí, kde se nečistoty roznášejí vzduchem, čistěte častěji.

Seřízení karburátoru

Nikdy neseřizujte karburátor. Karburátor byl seřízen v továrně tak, aby účinně fungoval za většiny podmínek. Pokud je však seřízení třeba, tuto službu si objednejte u autorizovaného prodejce značky Briggs & Stratton.

POZNÁMKA: Výrobce zařízení, do kterého je motor osazen, uvádí maximální otáčky motoru vhodné pro provoz svého výrobku. Tyto otáčky **nepřekračujte**.

Postup výměny zapalovací svíčky – obrázek 6

Zkontrolujte vzduchovou mezeru (A, obrázek 6) pomocí drátové měrky (B). Je-li to nutné, mezeru znovu nastavte. Nainstalujte zapalovací svíčku a dotáhněte ji na doporučený krouticí moment. Postup nastavení mezery nebo krouticí moment najdete v sekci **Specifikace**.

Poznámka: V některých státech místní předpisy vyžadují použití zapalovací svíčky s odporem pro potlačení rušení. Jestliže byl tento motor původně vybaven svíčkou s odporem, používejte k výměně svíček stejného typu.

Zkontrolujte tlumič výfuku a lapač jisker – obrázek 7



VAROVÁNÍ



Provozem motorů se vytváří teplo. Díly motoru, zejména tlumič výfuku, jsou za provozu extrémně horké.

Ve styku s nimi mohou vzniknout vážné popáleniny.



Hořlavý materiál, jako je listí, tráva, roští atd., může vzplanout.

- Před manipulací nechejte tlumič výfuku, válec a žebra motoru vychladnout.
- Odstraňujte hořlavé nečistoty, hromadící se v prostoru tlumiče a válce.
- Při použití zařízení na zalesněném, travnatém nebo křovím porostlém pozemku bez lapače jisker nainstalovaného ve výfukovém systému a udržovaného v řádném funkčním stavu porušujete ustanovení paragrafu 4442 Zákona o veřejných zdrojích státu Kalifornie. Jiné státy nebo federální jurisdikce mohou mít podobné zákony. Chcete-li zakoupit lapač jisker vhodný pro výfukový systém nainstalovaný na tomto motoru, kontaktujte výrobce původního zařízení, prodejce nebo dodavatele.

Odstraňujte hořlavé nečistoty, hromadící se v prostoru tlumiče a válce. Zkontrolujte, zda tlumič výfuku (A, obrázek 7) nevykazuje praskliny, korozi nebo jiné poškození. Sejměte jiskrojem (B), je-li jím motor vybaven a zkontrolujte, zda není poškozen nebo zanesen uhlíkovými usazeninami. Pokud zjistíte poškození, před dalším spuštěním přístroje nainstalujte náhradní díly.



VAROVÁNÍ: Náhradní díly musí mít stejné provedení jako původní díly a musí být nainstalovány ve stejné poloze. Jiné díly nemusí poskytovat požadovaný výkon, mohou poškodit zařízení nebo způsobit zranění.

Postup výměny oleje – obrázek 2 8 9 10



VAROVÁNÍ



Palivo a jeho páry jsou vysoce hořlavé a výbušné.

Požár nebo výbuch může způsobit vážné popáleniny nebo i smrt



- když vypouštíte olej z horní plnicí olejové trubky, musí být palivová nádrž prázdná, protože jinak může palivo unikat z nádrže a způsobit požár nebo explozi.

Použitý olej je nebezpečný odpad a musí být likvidován správným způsobem. Použitý olej nepatří do domovního odpadu. Ohledně bezpečné likvidace/recyklace oleje se poradte s místními úřady, servisním střediskem nebo prodejcem.

Odstraňte olej

Olej můžete vypustit buď z dolního vypouštěcího otvoru nebo z horního plnicího hrdla.

- Vypněte motor a dokud je ještě teplý, odpojte kabel zapalovací svíčky (A) a uložte jej v bezpečné vzdálenosti od svíčky (obrázek 8).
- Motor je vybaven dolním vypouštěcím otvorem (B, obrázek 9). Odstraňte zátku pro vypouštění oleje (C). Vypusťte olej do schválené nádoby.
Poznámka: V motoru může být nainstalována každá ze zobrazených vypouštěcích zátek (C).
- Po vypouštění oleje nasadte a utáhněte vypouštěcí zátku.
- Pokud vypouštíte olej z horního plnicího hrdla (D), dbejte na to, aby strana motoru se zapalovací svíčkou směřovala (E) nahoru (obrázek 10). Vypusťte olej do schválené nádoby.



VAROVÁNÍ:

Pokud vypouštíte olej z horního plnicího hrdla, musí být palivová nádrž prázdná, protože v případě úniku paliva by mohlo dojít k požáru nebo výbuchu. Chcete-li vyprázdnit palivovou nádrž, spusťte motor a nechte jej běžet, dokud se sám nezastaví v důsledku nedostatku paliva.

Doplnění oleje

- Motor dejte do vodorovné polohy.
 - Vyčistěte prostor pro doplňování oleje od nečistot.
 - Objem oleje naleznete v části **Specifikace**.
- Vyjměte měrku (F) a otřete ji čistým hadříkem (obrázek 2).
 - Nalijte olej pomalu do plnicího otvoru (G). **Dejte pozor, abyste jej nepřelili.** Po doplnění oleje počkejte jednu minutu a pak stav oleje znovu zkontrolujte.
 - Zasuňte měrku zpět a utáhněte ji.
 - Vyjměte měrku a zkontrolujte hladinu oleje. Měla by být v horní části indikátoru full (H) na měrce.
 - Zasuňte měrku zpět a utáhněte ji.

Provedení údržby vzduchového filtru – obrázek 12



VAROVÁNÍ



Palivo a jeho páry jsou vysoce hořlavé a výbušné.

Požár nebo výbuch může způsobit vážné popáleniny nebo i smrt.



- Nespouštějte ani neprovodujte motor s odmontovanou sestavou vzduchového filtru (je-li jím motor vybaven) nebo s vyjmutým vzduchovým filtrem (je-li jím motor vybaven).

POZNÁMKA: Nepoužívejte k čištění filtru stlačený vzduch nebo rozpouštědla. Stlačený vzduch může filtr poškodit a rozpouštědla jej rozpustí.

Systém čističe vzduchu využívá skládaný filtr s předfiltrem jako volitelným vybavením. Tento předfiltr se dá vyprat a znovu použít.

- Povolte šroub (A), který drží víko (B). Viz obrázek 12.
- Otevřete víko a vyjměte předfiltr (C) a filtr (D).
- Zlehka oklepejte filtr o tvrdou podložku, aby se z něj uvolnily nečistoty. Pokud je filtr příliš znečištěný, vyměňte jej za nový.
- Odstraňte předfiltr z filtru.
- Vyperte předfiltr v tekutém odmašťovacím prostředku a vodě. Poté jej nechte na vzduchu důkladně uschnout. **Nemazte** předfiltr olejem.
- Namontujte suchý předfiltr k filtru.
- Nainstalujte filtr.
- Zavřete kryt a zajistěte ho upevňovacím prvkem.

Postup výměny palivového filtru – obrázek 11



VAROVÁNÍ



Palivo a jeho páry jsou vysoce hořlavé a výbušné.
Požár nebo výbuch může způsobit vážné popáleniny nebo i smrt

- Chraňte palivo před jiskrami, otevřeným ohněm, věčným plamínkem, teplem a jinými zdroji zapálení.
- Kontrolujte palivové potrubí, nádrž a víčko a všechny spoje na těsnost a praskliny. V případě potřeby proveďte výměnu.
- Před čištěním palivového filtru vypusťte palivovou nádrž nebo zavřete palivový kohout.
- Náhradní díly tlumiče výfuku musí být stejné jako originály a namontované na původních místech.
- Jestliže rozlijete palivo, počkejte, až se odpaří a teprve potom spusťte motor.

1. Než vyměníte palivový filtr (A, obrázek 11), pokud je jím zařízení vybaveno, vypusťte palivovou nádrž nebo uzavřete uzavírací ventil paliva. Jinak může palivo prosáknout a způsobit požár nebo výbuch.
2. Ke stisknutí úchytek (B) na svérkách (C) použijte kleště, potom odsuňte svěrky stranou od palivového filtru. Odšroubujte a vytáhněte palivové potrubí (D) z palivového filtru.
3. Kontrolujte palivové potrubí kvůli těsnosti a trhlinám a podle potřeby vyměňte.
4. Filtr vyměňujte při použití originálního nářadí na výměnu filtru.
5. Zabezpečte palivové potrubí svérkami, jak je na vyobrazení.

Postup čištění vzduchového chladicího systému – obrázek 13



VAROVÁNÍ



Provozem motorů se vytváří teplo. Díly motoru, zejména tlumič výfuku, jsou za provozu extrémně horké.

Ve styku s nimi mohou vzniknout vážné popáleniny.

Hořlavý materiál, jako je listí, tráva, roští atd., může vzplanout.

- Před manipulací nechejte tlumič výfuku, válec a žebra motoru vychladnout.
- Odstraňujte hořlavé nečistoty, hromadící se v prostoru tlumiče a válce.

POZNÁMKA: Nepoužívejte k čištění motoru vodu. Mohla by kontaminovat palivovou soustavu. K čištění motoru použijte kartáč nebo suchý hadřík.

Toto je motor chlazený vzduchem. Špína nebo nečistoty mohou omezovat proudění vzduchu a způsobit přehřátí motoru, což povede ke špatnému výkonu a sníží životnost motoru.

Pomocí kartáče nebo suchého hadříku odstraňte nečistoty z chrániče prstů (A). Udržujte táhla, pružiny a ovládací prvky (B) čisté. Odstraňujte z okolí tlumiče výfuku (C) hořlavé nečistoty (obrázek 13).

Skladování



VAROVÁNÍ



Palivo a jeho páry jsou vysoce hořlavé a výbušné.
Požár nebo výbuch může způsobit vážné popáleniny nebo i smrt

Při skladování paliva nebo zařízení s palivem v nádrži

- Uložte odděleně od pecí, kamen, ohříváčů vody či jiných zařízení, která mají věčný plamínek nebo od jiných zdrojů zapálení. Mohou zažehnout výpary z paliva.

Palivová soustava

Palivo, skladované déle než 30 dní, může zvětrat. Zvětralé palivo způsobuje, že se v palivové soustavě nebo na základní částech karburátoru tvoří pryskyřičné usazeniny. Chcete-li, aby palivo nezvětrávalo, použijte stabilizátor paliva značky Briggs & Stratton FRESH START®, který je k dostání jako kapalné aditivum nebo jako kapkový zásobník koncentrátu stabilizátoru.

Benzín nemusíte z motoru vypouštět, pokud do paliva přidáte podle pokynů stabilizátor paliva. Nechte motor běžet 2 minuty, aby se stabilizátor dostal do celé palivové soustavy. Pak může být motor i palivo uskladněno až 24 měsíců.

Pokud nebyl do benzínu přidán stabilizátor paliva, musí být vypuštěn do schváleného kanistru. Nechte motor běžet, dokud se veškerý zbylý benzín nespoteřebuje. Doporučuje se použít stabilizátor paliva i do kanistru, ve kterém bude uskladněn, aby nedošlo k jeho zvětrání.

Motorový olej

Olej vyměňujte, dokud je motor ještě teplý.

POZNÁMKA: Skladujte motor ve vodorovné poloze (normální provozní poloha). Pokud chcete motor za účelem skladování obrátit, musí být palivová nádrž **prázdna** a zapalovací svíčka musí směřovat **nahoru**. Není-li palivová nádrž prázdná nebo je-li motor obrácen jiným směrem, může dojít v důsledku znečištění vzduchového filtru a/nebo zapalovací svíčky olejem nebo benzinem k problémům při startování.

Vyhledávání a odstraňování závad

Potřebujete pomoc? Navštivte stránku **BRIGGSandSTRATTON.COM** nebo zavolejte na telefonní číslo **1-800-233-3723**.

Specifikace

Specifikace motorů

Model	90000
Zdvihový objem	8,53 ci (140 ccm)
Vrtání	2,349 in (59,67 mm)
Zdvih	1,968 in (49,99 mm)
Objem oleje	18 - 20 oz (0,54 - 0,59 l)

Specifikace motorů

Model	100000
Zdvihový objem	9,82 ci (161 ccm)
Vrtání	2,520 in (64,01 mm)
Zdvih	1,968 in (49,99 mm)
Objem oleje	18 - 20 oz (0,54 - 0,54 l)

Specifikace seřízení *

Model	90000, 100000
Vzduchová mezera zapalovací svíčky	0,020 in (0,51 mm)
Utahovací moment zapalovací svíčky	180 lb-in (20 Nm)
Vzduchová mezera zapalovací cívy	0,006 - 0,014 in (0,15 - 0,36 mm)
Vúle sacího ventilu	0,004 - 0,006 in (0,10 - 0,15 mm)
Vúle výfukového ventilu	0,014 - 0,016 in (0,36 - 0,41 mm)

* Výkon motoru klesá o 3,5 % na každých 300 metrů (1 000 stop) nadmořské výšky a o 1 % na každých 5,6° C (10° F) nad 25° C (77° F). Motor funguje normálně při náklonu do 15°. Maximální dovolené provozní limity pro svahy najdete v návodu k obsluze zařízení.

Běžné servisní díly ✓

Servisní díl	Číslo dílu
Vzduchový filtr, oválný	792038
Předfiltr vzduchového filtru, oválný	793676
Olej – SAE 30	100005
Kapalné aditivum do paliva FRESH START®	5041, 5058
Palivový zásobník FRESH START®	699998, 5096
Zapalovací svíčka s odrušením	692051, 692720
Klíč na zapalovací svíčku	89838, 5023
Zkoušečka zapalování	19368
Palivový filtr	298090, 5018

✓ Doporučujeme svěřit veškerý servis a údržbu motorů a jejich dílů autorizovanému prodejci značky Briggs & Stratton.

OMEZENÁ ZÁRUKA

Společnost Briggs & Stratton Corporation bezplatně opraví nebo nahradí jakýkoli díl nebo díly produktu s vadou materiálu nebo dílenského zpracování, případně obojího. Náklady na přepravu produktu předaného k opravě nebo výměně na základě této záruky ponese zákazník. Tato záruka je platná pro stanovená časová období a podléhá níže uvedeným podmínkám. Záruční opravy si objednejte u nejbližšího autorizovaného servisu, který naleznete na mapě vyhledavače autorizovaných servisů na adrese BRIGGSandSTRATTON.COM nebo jej zjistíte, zavoláte-li na telefonní číslo 1-800-233-3723, případně jej naleznete ve 'Zlatých stránkách'.

Neexistuje žádná další výslovná záruka. Předpokládané záruky, včetně např. záruky prodejnosti a vhodnosti pro konkrétní účel, jsou omezeny na dobu jednoho roku od zakoupení, nebo na jinou dobu povolenou zákonem, a všechny předpokládané záruky jsou vyloučeny. Odpovědnost za náhodné nebo následné škody je vyloučena v maximálním rozsahu povoleném zákonem. Některé státy nebo země nedovolují omezení délky předpokládané záruky a některé státy nebo země nedovolují vyloučení nebo omezení náhodných nebo následných škod, takže se vás výše uvedená vyloučení a omezení nemusí týkat. Tato záruka vám dává specifická práva, a můžete mít i jiná práva, která se liší v jednotlivých státech a zemích.

STANDARDNÍ ZÁRUČNÍ PODMÍNKY * ▲

Značka/Typ produktu	Spotřebitelské použití	Komerční použití
Vanguard™	2 roky	2 roky
Extended Life Series™; I/C®; Intek™ I/C®; Intek™ Pro; Professional Series™ s litinovou vložkou Dura-Bore™; 850 Series™ s litinovou vložkou Dura-Bore™; Snow Series MAX™ s litinovou vložkou Dura-Bore™ Všechny ostatní motory Briggs & Stratton vybavené litinovou vložkou válce Dura-Bore™	2 roky	1 rok
Všechny ostatní motory Briggs & Stratton	2 roky	90 dní

* Toto jsou naše standardní podmínky záruky, ta však může být v některých případech rozšířena, aniž by nám to bylo v době vydání tohoto dokumentu známo. Informace o aktuálních záručních podmínkách pro váš motor najdete na webu BRIGGSandSTRATTON.COM nebo kontaktujte autorizovaný servis Briggs & Stratton.

▲ Na motory používané v domácích záložních generátorech se vztahuje záruka pouze pro spotřebitelské používání. Tato záruka neplatí pro motory používané v zařízeních sloužících k napájení elektroizolované sítě. **Na motory, používané při sportovních závodech nebo na komerčních či nájemních dráhách, se žádná záruka neposkytuje.**

Záruční lhůta začíná v den zakoupení prvním maloobchodním spotřebitelem nebo komerčním koncovým uživatelem a trvá po dobu, uvedenou v horní tabulce. "Spotřebitelským používáním" se rozumí osobní používání maloobchodním spotřebitelem v jeho domácnosti. "Komerčním použitím" se rozumí všechny ostatní druhy použití, včetně použití komerčního, výdělečného a v půjčovnách. Jakmile byl jeden motor použit pro komerční účely, musí být pro účely této záruky nadále považován za motor pro komerční použití.

K obdržení záruky na výrobky Briggs & Stratton není nutná registrace záruky. Uchovejte si účtenku jako důkaz o zakoupení. Jestliže při žádosti o záruční servis nepředložíte důkaz o dni prvního zakoupení, pro určení záruční lhůty bude použito datum výroby výrobku.

O naší záruce

Společnost Briggs & Stratton ochotně zajistí záruční opravy a omlouvá se za způsobené nepříjemnosti. Záruční opravy provádějí všichni autorizovaní prodejci. Většina záručních oprav je rutinní záležitostí, ale někdy mohou být požadavky na záruční servis nepřiměřené.

Pokud nebudete souhlasit s názorem autorizovaného prodejce, oprávněnost vašich záručních nároků prošetříme. V tomto případě jej požádejte, aby předal všechny podklady svému distributorovi nebo výrobnímu závodu. Jestliže distributor nebo výrobce rozhodne o oprávněnosti nároku, dostanete za vadné součástky úhradu v plné výši. Aby se předešlo nedorozuměním mezi zákazníkem a prodejcem, uvádíme dále nejběžnější příčiny selhání motoru, na které se záruka nevztahuje.

Normální opotřebení: Motory, stejně jako všechna mechanická zařízení, potřebují ke správné funkčnosti pravidelnou výměnu dílů a další údržbu. Tato záruka se nevztahuje na opravy v důsledku ukončení životnosti konkrétního dílu nebo celého produktu při normálním používání. Záruka se nevztahuje na závady způsobené neodborným zacházením, nedostatečnou běžnou údržbou, přepravou, manipulací, skladováním nebo nesprávnou montáží. Záruku nelze uplatnit ani v případě, kdy bylo z motoru odstraněno výrobní číslo nebo byl jakkoliv upravován či měněn.

Nesprávná údržba: Životnost motoru závisí na podmínkách, v nichž se provozuje, a na péči, která se mu věnuje. Některá zařízení (například kultivátory, čerpadla a rotační sekačky) jsou často provozována v prašném nebo znečištěném prostředí, což může způsobit předčasnou opotřebení. Pokud bylo toto opotřebení způsobeno vniknutím prachu, nečistot, písku z čistění svíček nebo jiného abrazivního materiálu do motoru v důsledku nesprávné údržby, nevztahuje se na něj záruka.

Tato záruka se vztahuje pouze na vady materiálu a/nebo dílenského zpracování motoru. Nežádejte proto výměnu nebo zaplacení zařízení, na němž může být motor namontován. Záruka se nevztahuje ani na opravy nutné v důsledku:

- 1 Problémy způsobené použitím jiných než originálních dílů Briggs & Stratton.
- 2 Ovládací prvky nebo zařízení, která brání spuštění motoru, mají za následek snížení výkonu motoru a zkracují jeho životnost (Spojte se s výrobcem zařízení.)
- 3 Netěsné karburátory, ucpané palivové trubky, vážnoci ventily nebo jiná poškození, způsobená používáním znečištěného nebo starého paliva.

- 4 Díly, které jsou vydržené nebo zlomené z toho důvodu, že byl motor provozován s nedostatečným množstvím oleje, znečištěným olejem, nebo olejem nesprávné jakosti (hladinu oleje kontrolujte a doplňujte dle potřeby a olej vyměňujte v doporučených intervalech). Zařízení OIL GARD nemusí běžící motor zastavit. Nedodržíte-li se správná hladina oleje, motor se může poškodit.
- 5 Oprava nebo seřízení souvisejících součástí nebo sestav, např. spojky, převodů, dálkového ovládání apod., které nebyly vyrobeny firmou Briggs & Stratton.
- 6 Poškození nebo opotřebení součástí způsobené nečistotami, které se dostaly do motoru z důvodů nesprávné údržby či zpětnou montáží čističe vzduchu, používáním jiného než originálního čističe, či filtrační vložky. V doporučených intervalech čistěte nebo měňte filtrační vložku, jak je uvedeno v Návodu k obsluze a údržbě.
- 7 Součásti poškozené přetočením nebo přehřátím, způsobeným zanesením či ucpáním chladících žebor nebo prostoru setrvačnicku trávou, úlomky a špinou, nebo provozem motoru v uzavřeném nevětraném prostoru. Motor čistěte v předepsaných intervalech, jak je uvedeno v Návodu k obsluze a údržbě.
- 8 Poškození motoru nebo jeho součástí nadměrnými vibracemi způsobenými volným připevněním motoru, uvolněnými noži sekačky, uvolněnými nebo nevyváženými oběžnými koly, nesprávným upevněním zařízení k hřídeli motoru, nadměrnými otáčkami nebo jiným nesprávným provozem.
- 9 Ohnutý nebo zlomený klikový hřídel po nárazu nože rotační sekačky na pevný předmět nebo pro nadměrné napětí klínových řemenů.
- 10 Běžné vyladění nebo seřízení motoru.
- 11 Poškození motoru nebo některé jeho součásti, např. spalovací komory, ventilů, ventilových sedel, vedení ventilů, nebo spálení vinutí startéru používáním nesprávného paliva - zkapalněného plynu, zemního plynu, upravovaného benzínu apod.

Záruční servis je dostupný pouze prostřednictvím autorizovaných dealerů společnosti Briggs & Stratton. Nejbližší autorizované dealery společnosti Briggs & Stratton najdete na naší mapě dealerů na webové stránce www.BRIGGSandSTRATTON.com, na telefonu 257 013 117, nebo jsou také uvedeni ve 'Zlatých stránkách'.



THE POWER WITHIN™