



Enduro[®] Radial Ball Bearings

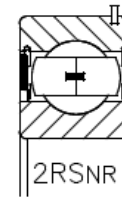
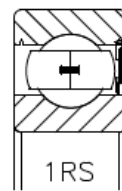
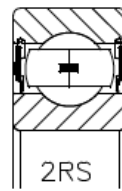
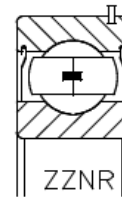
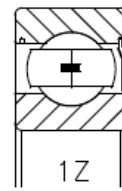
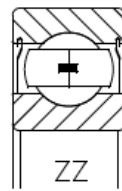
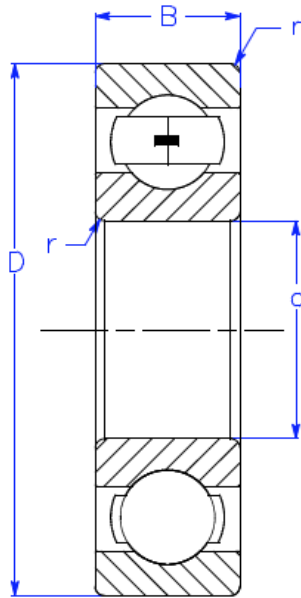
Version
12.12





Enduro™ Radial Ball Bearings: R Series

ABI Industries
6505 San Leandro St.
Oakland, CA 94621
Tel: 510 613 8200
: 510 613 8207

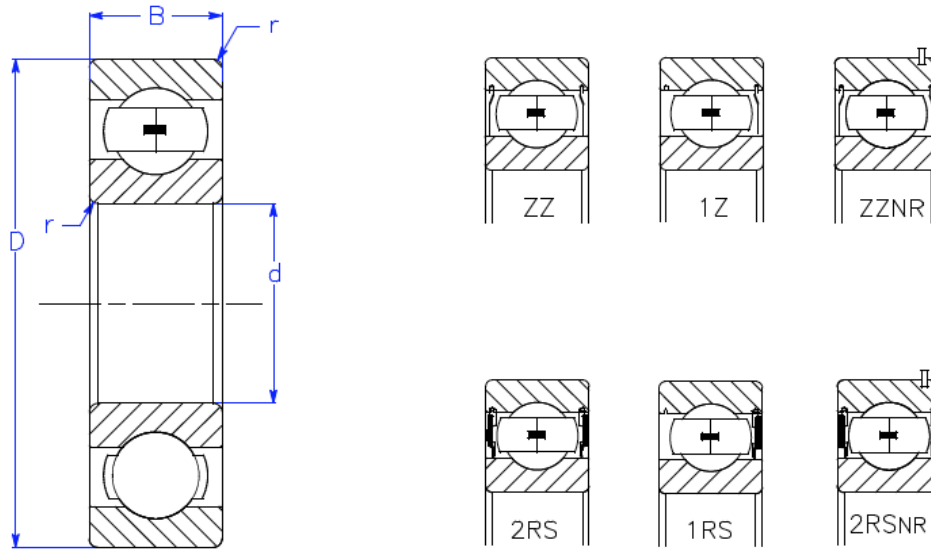


PART NO.	Ø d (inches)	Ø D (inches)	B		r (inches)	Dyn. C (N)	Stat. Co (N)	Weight	
			Open (inches)	Closed (inches)				Open (lbs)	Closed (lbs)
R2	0.125	0.375	0.156	0.156	0.012	640	226		0.003
R2 A	0.125	0.500	0.172	0.172	0.012	640	226		0.007
R3	0.188	0.500	0.156	0.196	0.012	1,310	485		0.006
R4	0.250	0.625	0.196	0.196	0.012	1,470	600		0.010
R4 A	0.250	0.750	0.219	0.281	0.016	2,410	911		0.022
R6	0.375	0.875	0.219	0.281	0.016	3,350	1,410		0.026
R8	0.500	1.125	0.250	0.313	0.016	5,110	2,380		0.046
R10	0.625	1.375	0.281	0.344	0.032	6,000	3,250		0.081
R12	0.750	1.625	0.313	0.438	0.032	8,370	4,520		0.139
R14	0.875	1.875	0.375	0.500	0.032	10,060	5,920		0.214
R16	1.000	2.000	0.375	0.500	0.032	10,060	5,920		0.236
R18	1.125	2.125	0.375	0.500	0.032	13,230	8,300		0.269
R20	1.250	2.250	0.375	0.500	0.032	13,230	7,460		0.276
R22	1.375	2.500	0.438	0.438	0.032	16,210	10,420		0.364
R24	1.500	2.625	0.438	0.438	0.032	17,030	11,700		0.379



Enduro™ Radial Ball Bearings: 1600 Series

ABI Industries
 6505 San Leandro St.
 Oakland, CA 94621
 Tel: 510 613 8200
 Fax: 510 613 8207

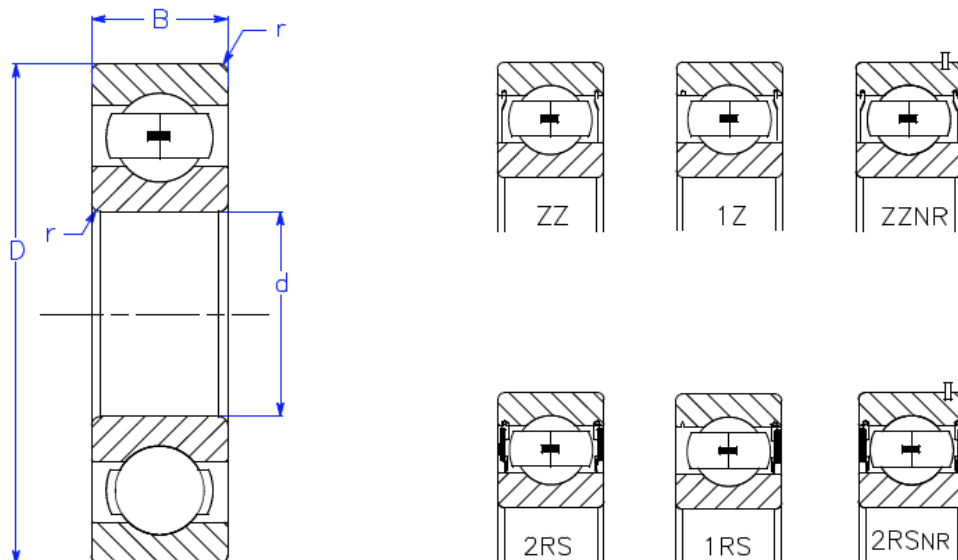


PART NO.	Ø d (inches)	Ø D (inches)	B (inches)	r (inches)	Dyn. C (N)	Stat. Co (N)	Weight (kg)	Weight (lbs)
1601	0.1875	0.6875	0.2500	0.01	2,750	950	0.011	0.025
1602	0.2500	0.6875	0.2500	0.01	2,750	950	0.011	0.025
1603	0.3125	0.8750	0.2812	0.01	3,350	1,410	0.015	0.033
1604	0.3750	0.8750	0.2812	0.02	3,350	1,410	0.018	0.040
1605	0.3125	0.9062	0.3125	0.01	3,350	1,410	0.015	0.034
1606	0.3750	0.9062	0.3125	0.02	3,350	1,410	0.016	0.035
1607	0.4375	0.9062	0.3125	0.02	4,090	1,960	0.027	0.060
1614	0.3750	1.1250	0.3750	0.25	5,110	2,380	0.035	0.077
1615	0.4375	1.1250	0.3750	0.25	5,110	2,380	0.032	0.071
1616	0.5000	1.1250	0.3750	0.25	5,110	2,380	0.030	0.066
1620	0.4375	1.3750	0.4375	0.25	6,000	3,250	0.050	0.110
1621	0.5000	1.3750	0.4375	0.25	6,000	3,250	0.048	0.106
1622	0.5625	1.3750	0.4375	0.25	6,000	3,250	0.046	0.101
1623	0.6250	1.3750	0.4375	0.25	6,000	3,250	0.040	0.088
1628	0.6250	1.6250	0.5000	0.25	8,370	4,520	0.072	0.159
1630	0.7500	1.6250	0.5000	0.25	8,370	4,520	0.065	0.143
1633	0.6250	1.7500	0.5000	0.25	8,370	4,520	0.092	0.203
1635	0.7500	1.7500	0.5000	0.25	8,370	4,520	0.085	0.187
1638	0.7500	2.0000	0.5625	0.35	10,060	5,920	0.120	0.265
1640	0.8750	2.0000	0.5625	0.35	10,060	5,920	0.112	0.247
1641	1.0000	2.0000	0.5625	0.35	10,060	5,920	0.100	0.221
1652	1.1250	2.5000	0.6250	0.35	16,210	10,420	0.210	0.463
1654	1.2500	2.5000	0.6250	0.35	16,210	10,420	0.190	0.419
1657	1.2500	2.5625	0.6875	0.35	16,210	10,420	0.215	0.474
1658	1.3125	2.5625	0.6875	0.35	16,210	10,420	0.200	0.441



Enduro™ Radial Ball Bearings: 6000 Series

ABI Industries
 6505 San Leandro St.
 Oakland, CA 94621
 Tel: 510 613 8200
 Fax: 510 613 8207

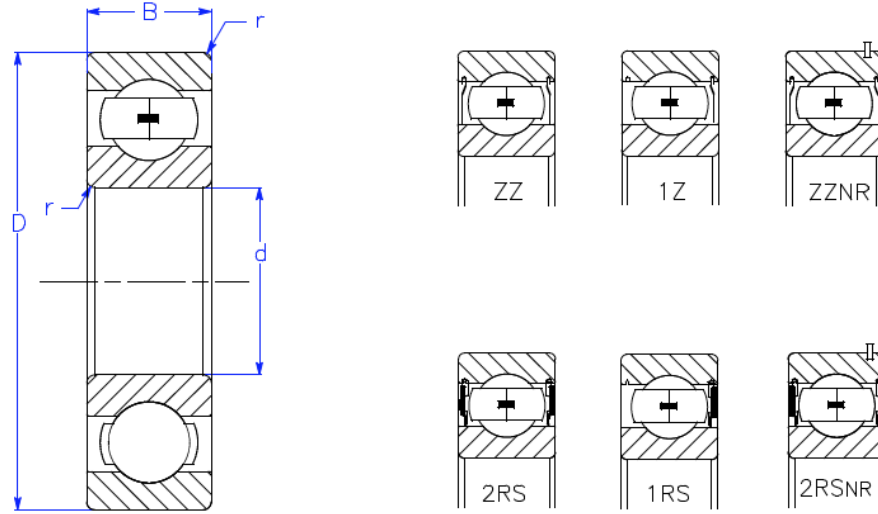


PART NO.	Ø d (mm)	Ø D (mm)	B (mm)	r (mm)	Dyn. C (N)	Stat. Co (N)	Weight (kg)	Weight (lbs)
6000	10	26	8	0.3	4,600	2,000	0.02	0.04
6001	12	28	8	0.3	5,100	2,400	0.02	0.05
6002	15	32	9	0.3	5,600	2,900	0.03	0.07
6003	17	35	10	0.3	6,000	3,300	0.04	0.09
6004	20	42	12	0.6	9,400	5,000	0.07	0.15
6005	25	47	12	0.6	10,000	5,800	0.08	0.17
6006	30	55	13	1.0	13,200	8,300	0.11	0.24
6007	35	62	14	1.0	16,200	10,500	0.15	0.33
6008	40	68	15	1.0	17,200	11,801	0.18	0.41
6009	45	75	16	1.0	21,000	14,800	0.23	0.51
6010	50	80	16	1.0	22,000	16,200	0.26	0.57
6011	55	90	18	1.0	30,200	21,800	0.36	0.80
6012	60	95	18	1.0	31,500	25,000	0.38	0.85
6013	65	100	18	1.0	30,500	25,200	0.43	0.96
6014	70	110	20	1.0	38,100	30,900	0.60	1.32
6015	75	115	20	1.0	39,600	33,500	0.64	1.40
6016	80	125	22	1.0	47,600	39,800	0.85	1.87
6017	85	130	22	1.0	49,500	43,100	0.89	1.96
6018	90	140	24	1.0	58,200	49,700	1.16	2.55
6019	95	145	24	1.0	60,400	53,900	1.21	2.66
6020	100	150	24	1.0	60,200	54,200	1.25	2.75



Enduro™ Radial Ball Bearings: 6200 Series

ABI Industries
 6505 San Leandro St.
 Oakland, CA 94621
 Tel: 510 613 8200
 Fax: 510 613 8207

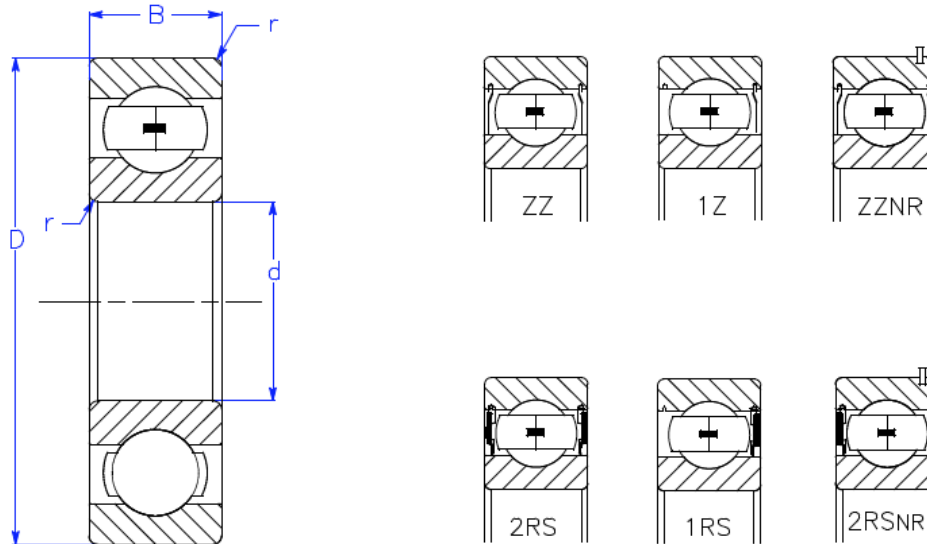


PART NO.	Ø d	Ø D	B	r	Dyn. C	Stat. Co	Weight	Weight
	(mm)	(mm)						
6200	10.00	30	9	0.6	5102	2380	0.03	0.07
6201	12.00	32	10	0.6	6819	3051	0.03	0.08
6202	15.00	35	11	0.6	7651	3719	0.04	0.10
6203	17.00	40	12	0.6	9581	4782	0.06	0.14
6204	20.00	47	14	1.0	12802	6650	0.10	0.23
6205	25.00	52	15	1.0	13999	7878	0.13	0.28
6206	30.00	62	16	1.0	19501	11499	0.20	0.44
6207	35.00	72	17	1.0	25502	15200	0.29	0.63
6208	40.00	80	18	1.0	29501	18002	0.37	0.81
6209	45.00	85	19	1.0	31498	20502	0.42	0.91
6210	50.00	90	20	1.0	34999	23202	0.46	1.02
6211	55.00	100	21	1.5	43401	29398	0.61	1.33
6212	60.00	110	22	1.5	52400	36200	0.78	1.72
6213	65.00	120	23	1.5	57200	40101	0.99	2.18
6214	70.00	125	24	1.5	62199	44100	1.07	2.35
6215	75.00	130	25	1.5	67399	48299	1.18	2.60
6216	80.00	140	26	1.5	72702	53001	1.40	3.08
6217	85.00	150	28	1.5	84000	61901	1.79	3.94
6218	90.00	160	30	1.5	96099	71501	2.15	4.73
6219	95.00	170	32	1.5	108999	81901	2.61	5.76
6220	100.00	180	34	2.0	122001	93101	3.13	6.91



Enduro™ Radial Ball Bearings: 6300 Series

ABI Industries
 6505 San Leandro St.
 Oakland, CA 94621
 Tel: 510 613 8200
 Fax: 510 613 8207

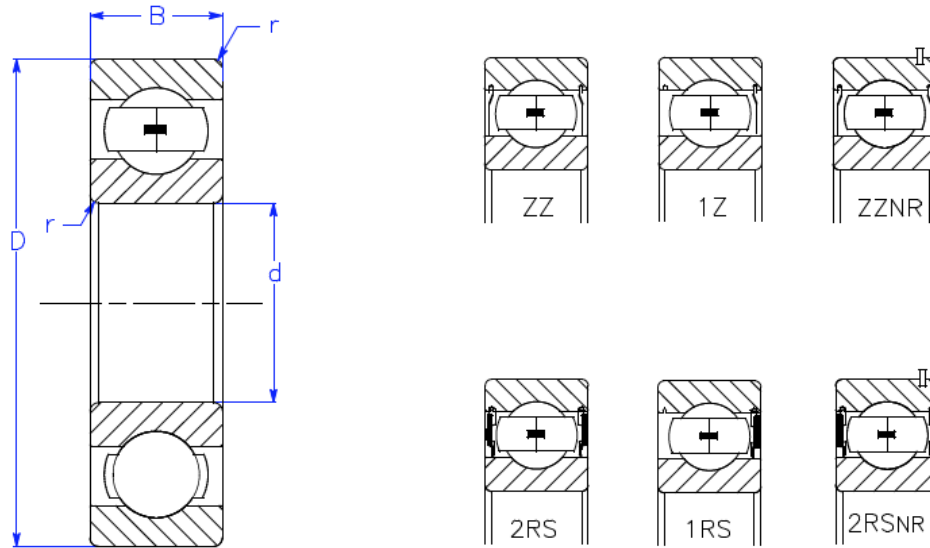


PART NO.	Ø d (mm)	Ø D (mm)	B (mm)	r (mm)	Dyn. C (N)	Stat. Co (N)	Weight (kg)	Weight (lbs)
6300	10	35	11	0.6	7651	3479	0.05	0.12
6301	12	37	12	1.0	9719	5080	0.06	0.13
6302	15	42	13	1.0	11499	5418	0.08	0.18
6303	17	47	14	1.0	13500	6579	0.11	0.24
6304	20	52	15	1.1	15800	7878	0.14	0.31
6305	25	62	17	1.1	22201	11499	0.22	0.48
6306	30	72	19	1.1	27001	15200	0.35	0.77
6307	35	80	21	1.5	33202	19199	0.45	1.00
6308	40	90	23	1.5	40799	23998	0.64	1.41
6309	45	100	25	1.5	52800	31800	0.87	1.92
6310	50	110	27	2.0	61999	38299	1.07	2.35
6311	55	120	29	2.0	71599	44998	1.37	3.01
6312	60	130	31	2.1	81901	52200	1.70	3.74
6313	65	140	33	2.1	92701	59900	2.08	4.58
6314	70	150	35	2.1	103999	68200	2.51	5.54
6315	75	160	37	2.1	112998	77199	3.01	6.64
6316	80	170	39	2.1	122998	86700	3.58	7.90
6317	85	180	41	2.1	132997	96798	4.22	9.31
6318	90	190	43	3.0	143001	106998	4.90	10.80
6319	95	200	45	3.0	153001	118999	5.66	12.47
6320	100	215	47	3.0	173000	141000	6.99	15.40



Enduro™ Radial Ball Bearings: 6400 Series

ABI Industries
 6505 San Leandro St.
 Oakland, CA 94621
 Tel: 510 613 8200
 Fax: 510 613 8207

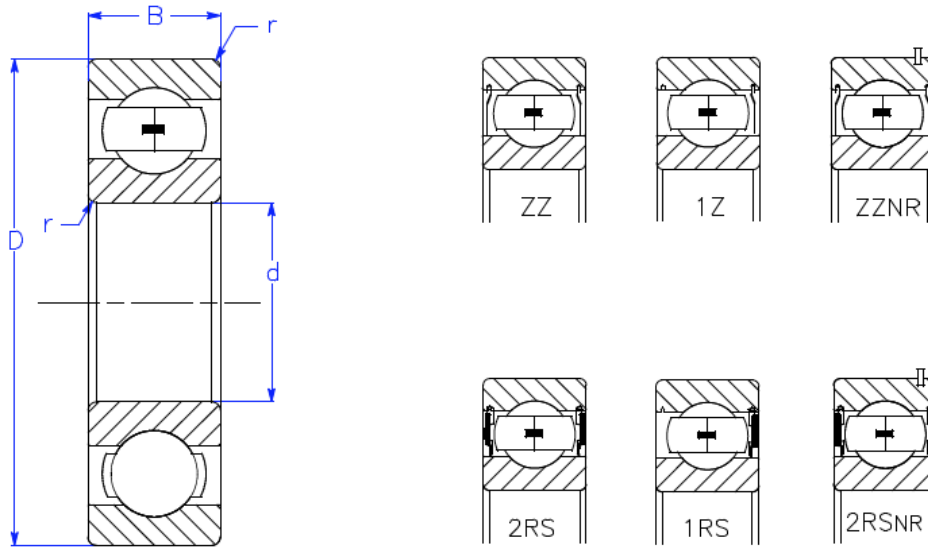


PART NO.	Ø d (mm)	Ø D (mm)	B (mm)	r (mm)	Dyn. C (N)	Stat. Co (N)	Weight (kg)	Weight (lbs)
6403	17	62	17	1.1	22900	10800	0.28	0.61
6404	20	72	19	1.1	30700	15000	0.41	0.91
6405	25	80	21	1.5	35800	19300	0.54	1.20
6406	30	90	23	1.5	43600	23600	0.75	1.64
6407	35	100	25	1.5	55300	31000	0.93	2.05
6408	40	110	27	2.0	63700	36500	1.18	2.60
6409	45	120	29	2.0	76100	45000	1.51	3.33
6410	50	130	31	2.1	87100	52000	1.83	4.03
6411	55	140	33	2.1	99500	62000	2.40	5.29
6412	60	150	35	2.1	10800	69500	2.80	6.17



Enduro™ Radial Ball Bearings: 6700 Series

ABI Industries
 6505 San Leandro St.
 Oakland, CA 94621
 Tel: 510 613 8200
 Fax: 510 613 8207

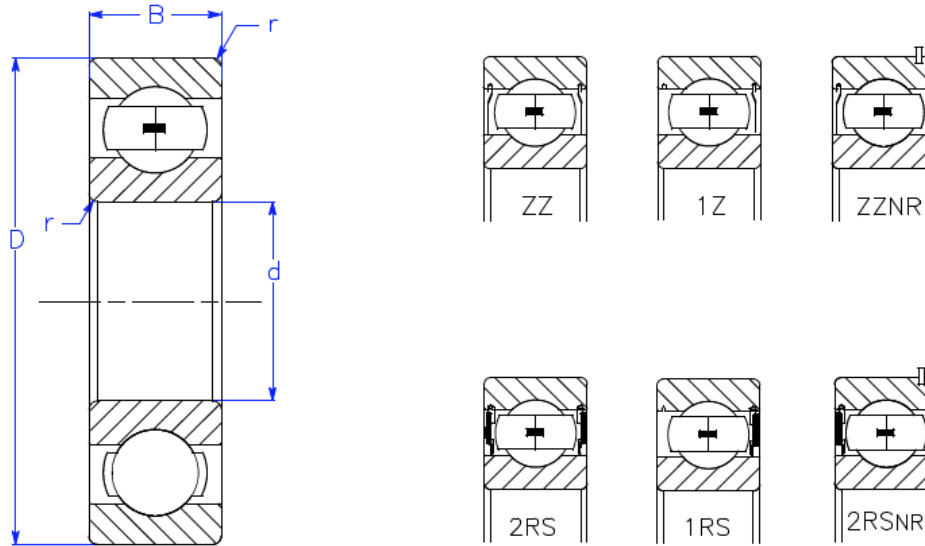


PART NO.	Ø d (mm)	Ø D (mm)	B (mm)	r (mm)	Dyn. C (N)	Stat. Co (N)	Weight (kg)	Weight (lbs)
6700	10	15	3	0.1	850	431	0.004	0.01
6701	12	18	4	0.2	921	529	0.005	0.01
6702	15	21	4	0.2	939	578	0.007	0.01
6703	17	23	4	0.2	996	654	0.009	0.02
6704	20	27	4	0.2	1036	725	0.014	0.03
6705	25	32	4	0.2	1076	832	0.014	0.03
6706	30	37	4	0.2	1125	930	0.014	0.03
6707	35	44	5	0.3	1859	1615	0.018	0.04
6708	40	50	6	0.3	2447	2202	0.018	0.04
6709	45	55	6	0.3	2593	2398	0.018	0.04



Enduro™ Radial Ball Bearings: 6900 Series

ABI Industries
 6505 San Leandro St.
 Oakland, CA 94621
 Tel: 510 613 8200
 Fax: 510 613 8207

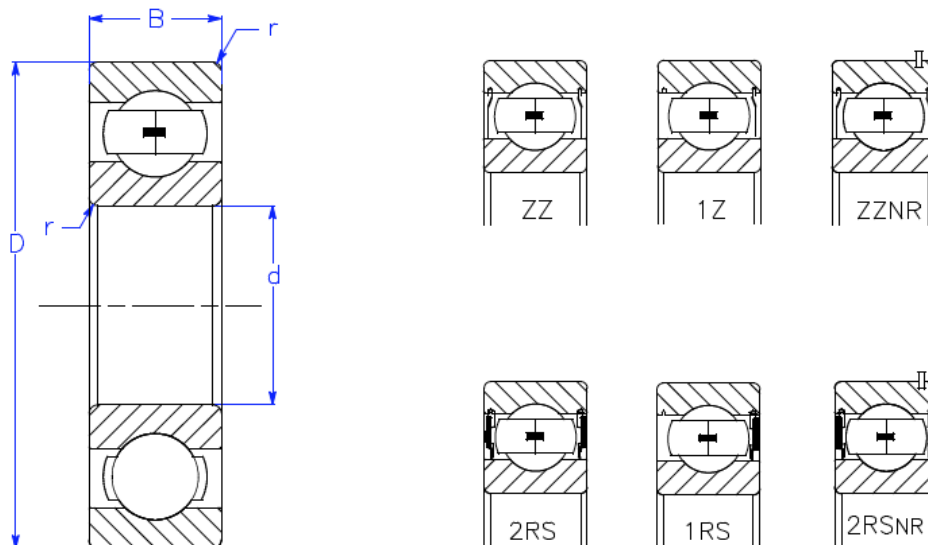


PART NO.	Ø d (mm)	Ø D (mm)	B (mm)	r (mm)	Dyn. C (N)	Stat. Co (N)	Weight (kg)	Weight (lbs)
6900	10	22	6	0.3	2900	1450	0.005	0.01
6901	12	24	6	0.3	4301	2251	0.005	0.01
6902	15	28	7	0.3	4599	2549	0.008	0.02
6903	17	30	7	0.3	6352	3701	0.008	0.02
6904	20	37	9	0.3	7002	4551	0.016	0.04
6905	25	42	9	0.3	7251	5000	0.019	0.04
6906	30	47	9	0.3	10898	7749	0.020	0.04
6907	35	55	10	0.6	13701	9951	0.033	0.07
6908	40	62	12	0.6	14101	10898	0.051	0.11
6909	45	68	12	0.6	14501	11699	0.060	0.13
6910	50	72	12	0.6	16601	14101	0.060	0.13
6911	55	80	13	1.0	20199	17299	0.084	0.18
6912	60	85	13	1.0	17401	16098	0.047	0.10
6913	65	90	13	1.0	23700	21200	0.096	0.21
6914	70	100	16	1.0	24398	22601	0.155	0.34
6915	75	105	16	1.0	24999	23998	0.165	0.36
6916	80	110	16	1.0	31898	29598	0.173	0.38
6917	85	120	18	1.0	32801	31600	0.243	0.53
6918	90	125	18	1.1	33700	33500	0.256	0.56
6919	95	130	18	1.1	44998	41898	0.320	0.70
6920	100	140	20	1.1	46502	44798	0.435	0.96



Enduro™ Radial Ball Bearings: 6800 Series

ABI Industries
 6505 San Leandro St.
 Oakland, CA 94621
 Tel: 510 613 8200
 Fax: 510 613 8207

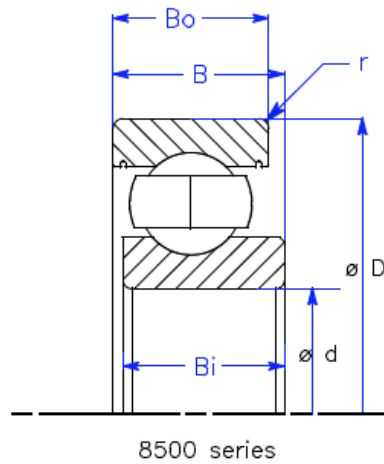
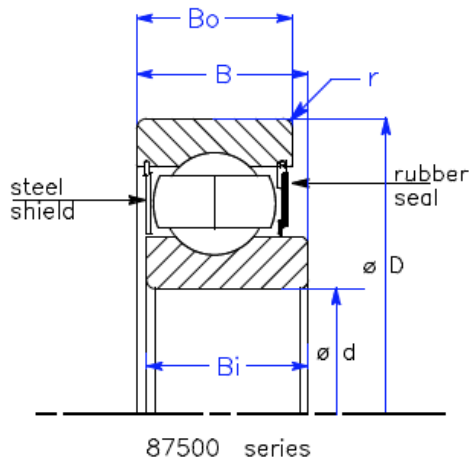


PART NO.	Ø d (mm)	Ø D (mm)	B (mm)	r (mm)	Dyn. C (N)	Stat. Co (N)	Weight (kg)	Weight (lbs)
6800	10	19	5	0.3	1828	925	0.005	0.011
6801	12	21	5	0.3	1922	1041	0.006	0.013
6802	15	24	5	0.3	2082	1259	0.007	0.015
6803	17	26	5	0.3	2811	1721	0.008	0.018
6804	20	32	7	0.3	3999	2469	0.019	0.042
6805	25	37	7	0.3	4301	2949	0.022	0.048
6806	30	42	7	0.3	4702	3652	0.026	0.057
6807	35	47	7	0.3	4902	4048	0.029	0.064
6808	40	52	7	0.3	4951	4199	0.033	0.073
6809	45	58	7	0.3	6201	5400	0.040	0.088
6810	50	65	7	0.3	6601	6099	0.052	0.114
6811	55	72	9	0.3	8799	8100	0.083	0.183
6812	60	78	10	0.3	11499	10600	0.104	0.229
6813	65	85	10	0.3	11899	11499	0.126	0.277
6814	70	90	10	0.3	12099	11899	0.134	0.295
6815	75	95	10	0.3	12500	12900	0.142	0.312
6816	80	100	10	0.3	12700	13300	0.150	0.330
6817	85	110	13	0.3	18700	18998	0.265	0.585
6818	90	115	13	0.3	18998	19701	0.278	0.614
6819	95	120	13	0.3	19301	19701	0.304	0.669
6820	100	125	13	0.3	19599	21200	0.308	0.680



Enduro™ Radial Ball Bearings: 87500 Series

ABI Industries
6505 San Leandro St.
Oakland, CA 94621
Tel: 510 613 8200
Fax: 510 613 8207

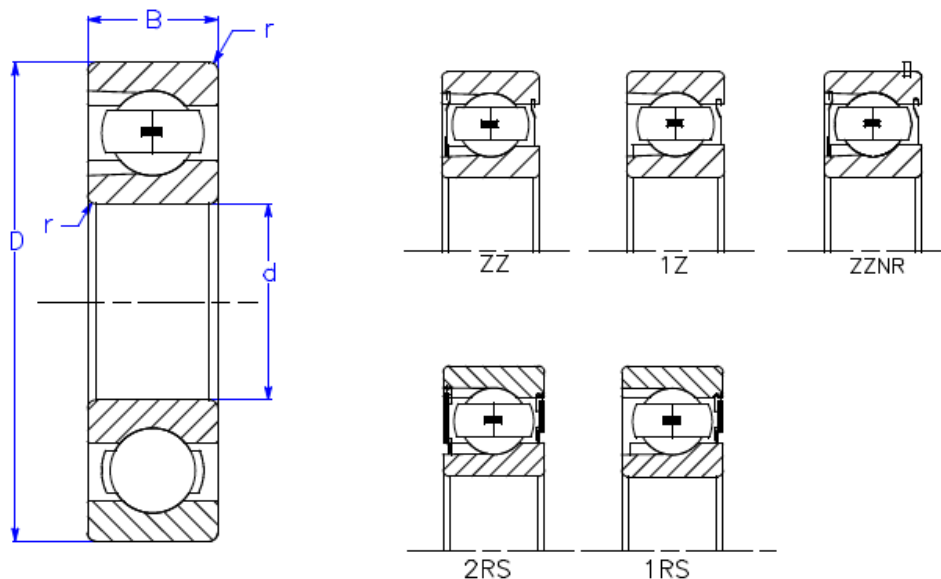


PART NO.	Ø d (mm)	Ø D (mm)	Bo (mm)	Bi (mm)	B (mm)	r (mm)	Dyn. C (N)	Stat. Co (N)	Weight (kg)	Weight (lbs)
8500/87500	10	30	9.0	12.2	12.7	0.6	5102	2380	0.032	0.07
8501/87501	12	32	10.0	12.2	12.7	0.6	6819	3051	0.035	0.08
8502/87502	15	35	11.0	12.2	12.7	0.6	7651	3719	0.045	0.10
8503/87503	17	40	12.0	14.8	14.3	0.6	9581	4782	0.064	0.14
8504/87504	20	47	14.0	15.2	15.9	1.0	12802	6650	0.103	0.23
8505/87505	25	52	15.0	15.2	15.9	1.0	13999	7878	0.127	0.28
8506/87506	30	62	16.0	19.0	20.0	1.0	19501	11499	0.200	0.44
8507/87507	35	72	17.0	20.0	21.3	1.0	25502	15200	0.288	0.63
8508/87508	40	80	21.0	24.0	24.0	1.0	29501	18002	0.367	0.81
8509/87509	45	85	21.0	24.0	24.0	1.0	31498	20502	0.415	0.91



Enduro™ Radial Ball Bearings: 200 Series

ABI Industries
6505 San Leandro St.
Oakland, CA 94621
Tel: 510 613 8200
fax: 510 613 8207

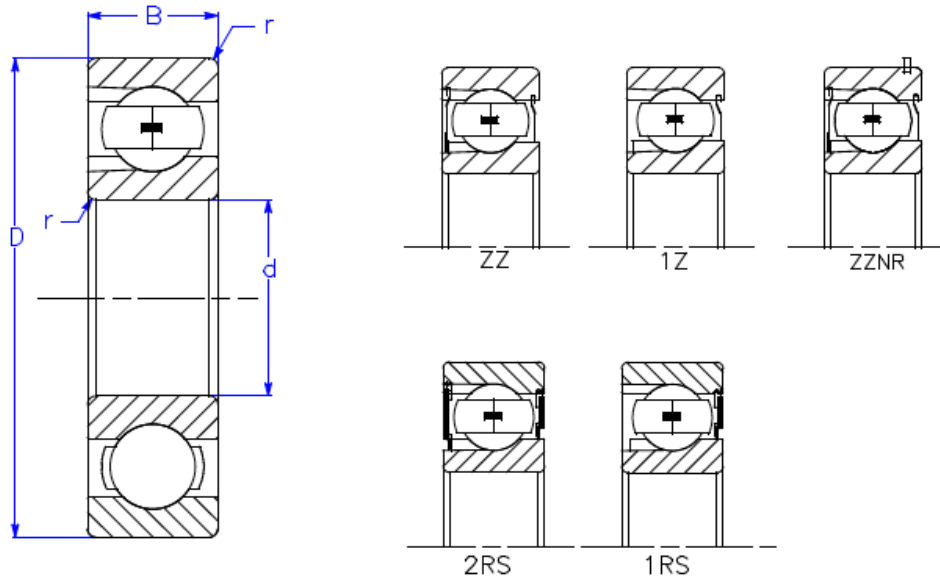


PART NO.	Ø d (mm)	Ø D (mm)	B (mm)	r (mm)	Dyn. C (N)	Stat. Co (N)	Weight (kg)	Weight (lbs)
BL 202	15	35	11	0.6	5060	11000	0.054	0.12
BL 204	20	47	14	1.0	9300	19500	0.113	0.25
BL 205	25	52	15	1.0	12200	22600	0.141	0.31
BL 206	30	62	16	1.0	16900	31000	0.213	0.47
BL 207	35	72	17	1.0	22600	40000	0.313	0.69
BL 208	40	80	18	1.0	28400	47000	0.413	0.91
BL 209	45	85	19	1.0	31500	50000	0.463	1.02
BL 210	50	90	20	1.0	34600	52000	0.522	1.15
BL 211	55	100	21	1.5	40600	61000	0.681	1.50
BL 212	60	110	22	1.5	54200	78000	0.885	1.95
BL 213	65	120	23	1.5	64800	92000	1.207	2.66
BL 214	70	125	24	1.5	71100	96000	1.225	2.70
BL 215	75	130	25	1.5	75500	99000	1.334	2.94
BL 216	80	140	26	2.0	90600	114000	1.633	3.60
BL 217	85	150	28	2.0	96000	129000	2.019	4.45
BL 218	90	160	30	2.0	96500	149000	2.493	5.50
BL 219	95	170	32	2.0	112000	169000	3.039	6.70
BL 220	100	180	34	2.0	127000	188000	3.673	8.10
BL 221	105	190	36	2.0	134000	195000	4.277	9.43
BL 222	110	200	38	2.0	160000	222000	5.144	11.34



Enduro™ Radial Ball Bearings: 300 Series

ABI Industries
 6505 San Leandro St.
 Oakland, CA 94621
 Tel: 510 613 8200
 fax: 510 613 8207

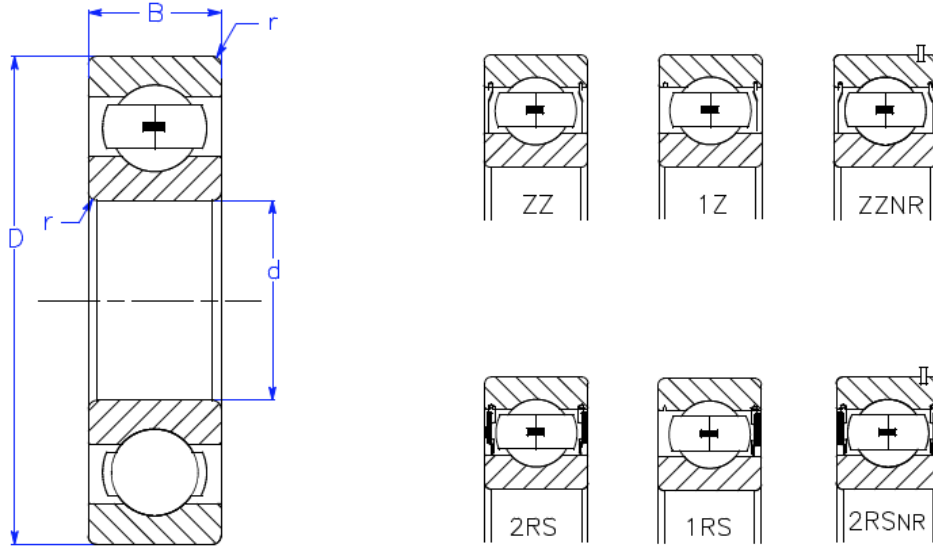


PART NO.	$\varnothing d$	$\varnothing D$	B	r	Dyn. C	Stat. Co	Weight	Weight
	(mm)	(mm)						
BL 303	17	47	14	1.0	9400	20600	0.118	0.26
BL 304	20	52	15	1.0	11300	23900	0.154	0.34
BL 305	25	62	17	1.0	17300	33900	0.259	0.57
BL 306	30	72	19	1.0	22600	42800	0.386	0.85
BL 307	35	80	21	1.5	29000	51500	0.513	1.13
BL 308	40	90	23	1.5	39000	66000	0.844	1.86
BL 309	45	100	25	1.5	47000	78100	0.934	2.06
BL 310	50	110	27	2.0	56000	92000	1.207	2.66
BL 311	55	120	29	2.0	66000	106000	1.542	3.40
BL 312	60	130	31	2.0	78000	122000	1.923	4.24
BL 313	65	140	33	2.0	96000	144000	2.413	5.32
BL 314	70	150	35	2.0	101000	153000	2.885	6.36
BL 315	75	160	37	2.0	127000	180000	3.497	7.71
BL 316	80	170	39	2.0	142000	195000	4.154	9.16
BL 317	85	180	41	2.5	157000	211000	4.872	10.74
BL 318	90	190	43	2.5	173000	226000	5.625	12.40
BL 319	95	200	45	2.5	191000	239000	6.514	14.36
BL 320	100	215	47	2.5	226000	270000	7.992	17.62
BL 321	105	225	49	2.5	244000	284000	9.117	20.10
BL 322	110	240	50	2.5	266000	302000	10.810	23.83



Enduro™ Radial Ball Bearings: 6000 Series

ABI Industries
6505 San Leandro St.
Oakland, CA 94621
Tel: 510 613 8200
fax: 510 613 8207



RMS Series

PART NO.	Ø d (inch)	Ø D (inch)	B (inch)	r (inch)	Dyn. C (N)	Stat. Co (N)	Weight (lbs)
RMS-4	0.5000	1.6250	0.6250	0.0313	9000	5700	0.10
RMS-5	0.6250	1.8125	0.6250	0.0455	10600	6300	0.11
RMS-6	0.7500	2.0000	0.6875	0.0625	12400	8500	0.16
RMS-7	0.8750	2.2500	0.6875	0.0625	14500	9300	0.20
RMS-8	1.0000	2.5000	0.7500	0.0625	18600	12400	0.25
RMS-9	1.1250	2.8125	0.8125	0.0625	18100	12300	0.38
RMS-10	1.2500	3.1250	0.8750	0.0625	23500	16100	0.51
RMS-11	1.3750	3.5000	0.8750	0.0625	41000	24000	0.63
RMS-12	1.5000	3.7500	0.9375	0.0625	41000	24000	0.79

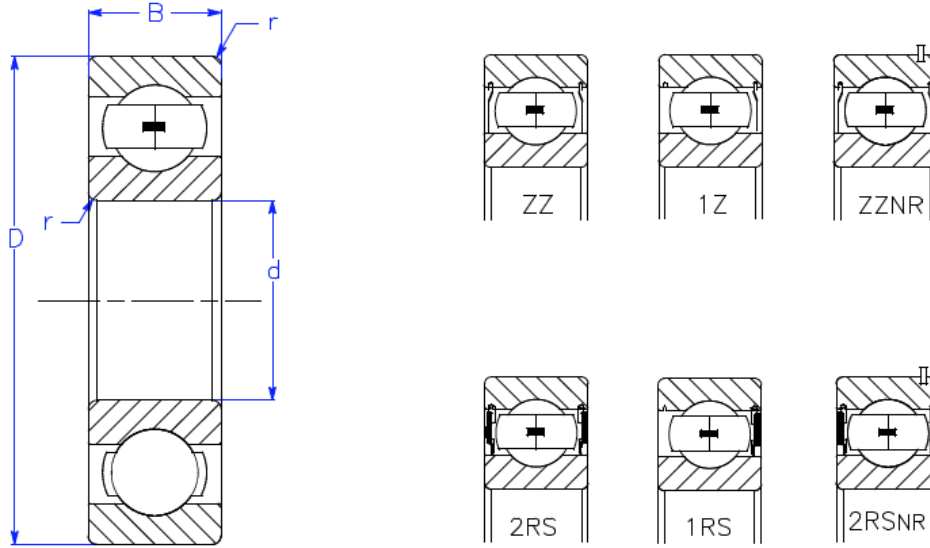
RLS Series

PART NO.	Ø d (inch)	Ø D (inch)	B (inch)	r (inch)	Dyn. C (N)	Stat. Co (N)	Weight (lbs)
RLS-4	0.5000	1.3125	0.3750	0.0313	5200	3800	0.03
RLS-5	0.6250	1.5625	0.4375	0.0455	7200	4300	0.06
RLS-6	0.7500	1.8750	0.5625	0.0625	10000	6300	0.11
RLS-7	0.8750	2.0000	0.5625	0.0625	12000	7600	0.13
RLS-8	1.0000	2.2500	0.6250	0.0625	14000	9700	0.17
RLS-9	1.1250	2.5000	0.6250	0.0625	15300	10200	0.21
RLS-10	1.2500	2.7500	0.6875	0.0625	18300	12300	0.28
RLS-11	1.3750	3.0000	0.6875	0.0625	20100	13900	0.37
RLS-12	1.5000	3.2500	0.7500	0.0625	24000	17000	0.43



Enduro™ Radial Ball Bearings: 6000 Series

ABI Industries
 6505 San Leandro St.
 Oakland, CA 94621
 Tel: 510 613 8200
 Fax: 510 613 8207

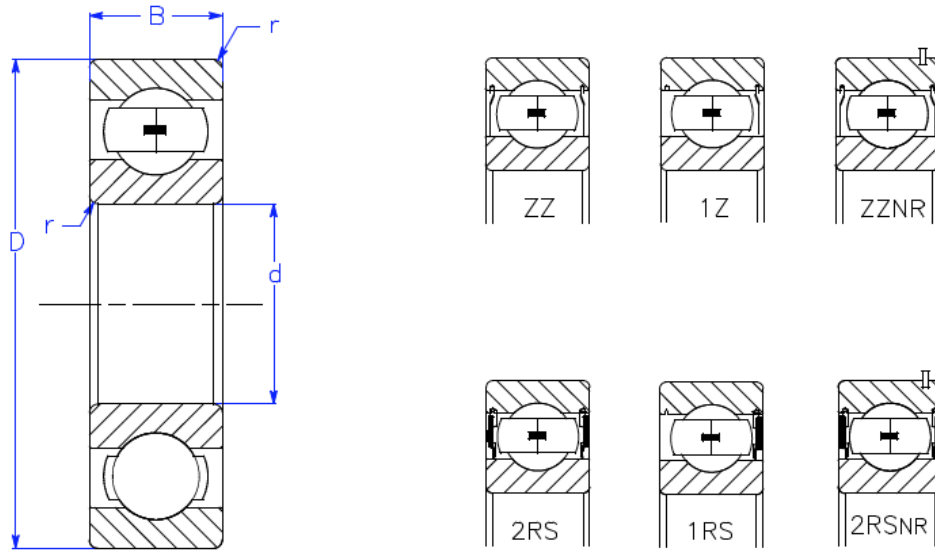


PART NO.	Ø d (mm)	Ø D (mm)	B (mm)	r (mm)	Dyn. C (N)	Stat. Co (N)	Weight (kg)	Weight (lbs)
16000	10.0	28.0	8.0	0.3	5110	2380	0.020	0.04
16001	12.0	28.0	7.0	0.3	5110	2390	0.024	0.05
16002	15.0	32.0	8.0	0.3	5590	2840	0.030	0.07
16003	17.0	32.0	8.0	0.3	6000	3250	0.030	0.07
16004	20.0	42.0	8.0	0.3	7910	4440	0.049	0.11
16005	25.0	47.0	8.0	0.3	6940	4600	0.056	0.12
16006	30.0	55.0	9.0	0.3	9950	6530	0.084	0.19
16007	35.0	62.0	9.0	0.3	10820	7830	0.107	0.24



Enduro™ Radial Ball Bearings

ABI Industries
 6505 San Leandro St.
 Oakland, CA 94621
 Tel: 510 613 8200
 Fax: 510 613 8207

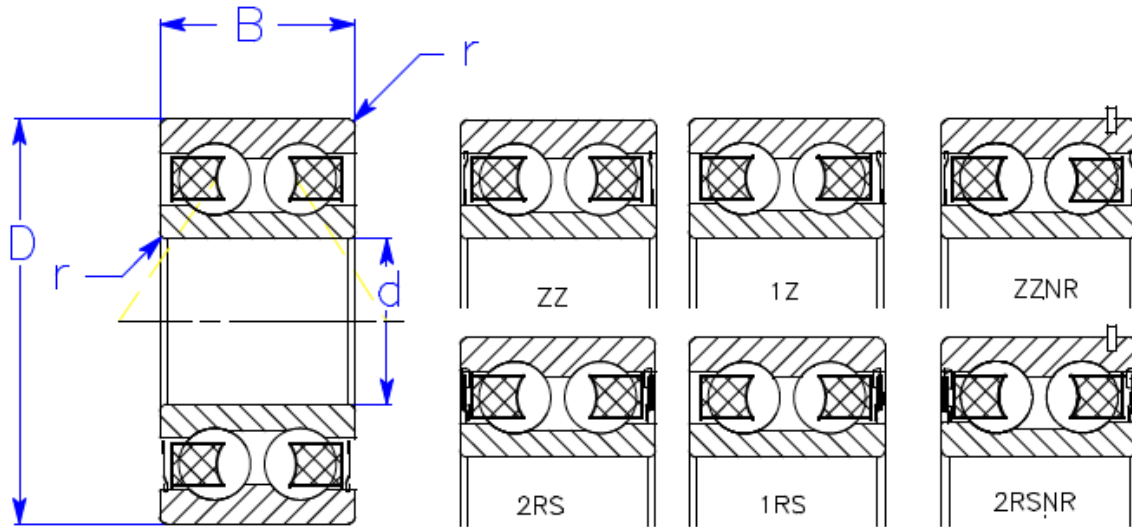


PART NO.	Ø d (mm)	Ø D (mm)	B (mm)	r (mm)	Dyn. C (N)	Stat. Co (N)	Weight (kg)	Weight (lbs)
60/22	22	44	12	0.025	9300	5000	0.070	0.154
60/28	28	52	12	0.025	14300	8000	0.100	0.220
60/32	32	58	13	0.040	12700	8000	0.130	0.287
62/22	22	51	14	0.040	12700	6550	0.110	0.243
62/28	28	58	16	0.040	16200	9200	0.170	0.375
62/32	32	65	17	0.040	19300	11200	0.230	0.507
63/22	22	56	16	1.000	17300	8500	0.160	0.353
63/28	28	68	18	1.000	22400	11400	0.290	0.639
63/32	32	75	20	1.100	29000	16300	0.390	0.860



Enduro™ Radial Ball Bearings 5200 Series

ABI Industries
6505 San Leandro St.
Oakland, CA 94621
Tel: 510 613 8200
Fax: 510 613 8207

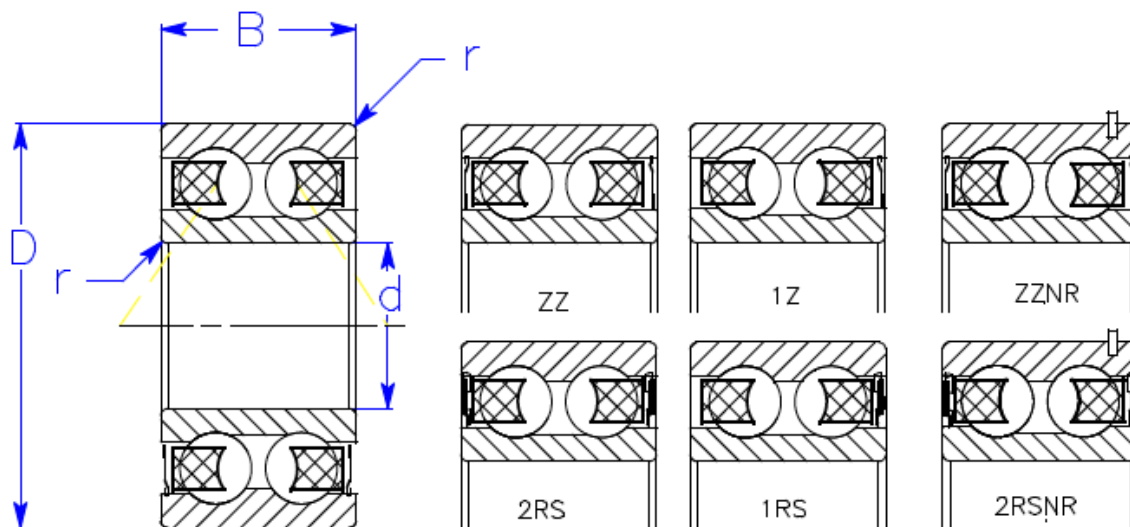


PART NO.	Ø d (mm)	Ø D (mm)	B (mm)	r (mm)	Dyn. C (N)	Stat. Co (N)	Weight (kg)	Weight (lbs)
5200	10	30	14.0	0.6	7800	4550	0.05	0.11
5201	12	32	15.9	0.6	10600	5850	0.06	0.13
5202	15	35	15.9	0.6	11800	7100	0.07	0.15
5203	17	40	17.5	0.6	14600	9000	0.10	0.22
5204	20	47	20.6	1.0	19600	12500	0.20	0.44
5205	25	52	20.6	1.0	21200	14600	0.20	0.44
5206	30	62	23.8	1.0	30000	21200	0.30	0.66
5207	35	72	27.0	1.1	39000	28500	0.40	0.88
5208	40	80	30.2	1.1	48000	36500	0.60	1.32
5209	45	85	30.2	1.1	48000	37500	0.60	1.32
5210	50	90	30.2	1.1	51000	42500	0.70	1.54
5211	55	100	33.3	1.5	58500	49000	1.10	2.43
5212	60	110	36.5	1.5	72000	61000	1.40	3.09
5213	65	120	38.1	1.5	80000	73500	1.80	3.97
5214	70	125	39.7	1.5	83000	76500	1.90	4.19
5215	75	130	41.3	1.5	91500	85000	2.10	4.63
5216	80	140	44.4	2.0	98000	93000	2.70	5.95
5217	85	150	49.2	2.0	112000	150000	3.40	7.50
5218	90	160	52.4	2.0	125000	170000	4.20	9.26
5219	95	170	55.6	2.1	140000	186000	5.10	11.24
5220	100	180	60.3	2.1	160000	224000	6.10	13.45



Enduro™ Radial Ball Bearings 5300 Series

ABI Industries
6505 San Leandro St.
Oakland, CA 94621
Tel: 510 613 8200
Fax: 510 613 8207

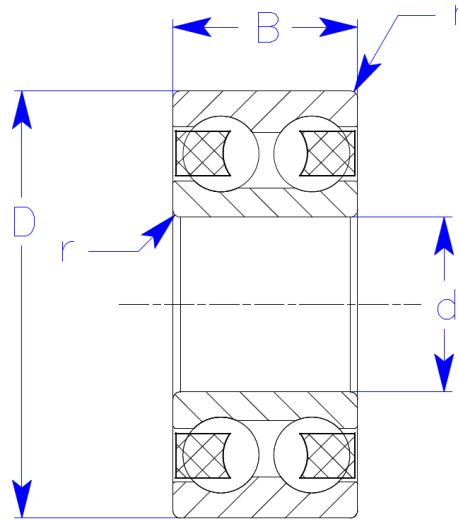


PART NO.	Ø d (mm)	Ø D (mm)	B (mm)	r (mm)	Dyn. C (N)	Stat. Co (N)	Weight (kg)	Weight (lbs)
5302	15	42	19.0	1.0	16300	10000	0.13	0.29
5303	17	47	22.2	1.0	20800	12500	0.2	0.44
5304	20	52	22.2	1.1	23200	15000	0.2	0.44
5305	25	62	25.4	1.1	30000	20000	0.4	0.88
5306	30	72	30.2	1.1	41500	28500	0.6	1.32
5307	35	80	34.9	1.5	51000	34500	0.8	1.76
5308	40	90	36.5	1.5	62000	45000	1.0	2.20
5309	45	100	39.7	1.5	68000	51000	1.4	3.09
5310	50	110	44.4	2.0	81500	62000	2.0	4.41
5311	55	120	49.2	2.0	102000	78000	2.6	5.73
5312	60	130	54.0	2.1	125000	98000	3.3	7.28
5313	65	140	58.7	2.1	150000	118000	4.1	9.04
5314	70	150	63.5	2.1	143000	166000	5.1	11.24
5315	75	160	68.3	2.1	163000	193000	6.2	13.67
5316	80	170	68.3	2.1	176000	212000	7.0	15.43
5317	85	180	73.0	3.0	190000	228000	8.3	18.30
5318	90	190	73.0	3.0	216000	275000	9.3	20.50
5319	95	200	77.8	3.0	220000	285000	11.1	24.47
5320	100	215	82.6	3.0	240000	320000	13.5	29.76



Enduro™ Radial Ball Bearings 4200 Series

ABI Industries
 6505 San Leandro St.
 Oakland, CA 94621
 Tel: 510 613 8200
 Fax: 510 613 8207

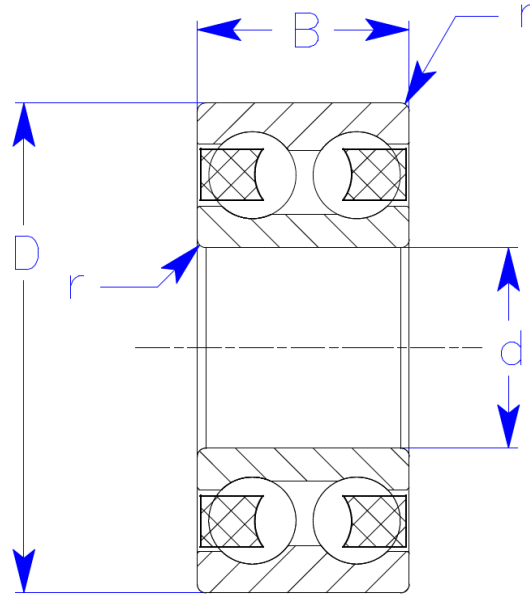


PART NO.	Ø d (mm)	Ø D (mm)	B (mm)	r (mm)	Dyn. C (N)	Stat. Co (N)	Weight (kg)	Weight (lbs)
4200	10	30	14.0	0.6	9200	5200	0.05	0.11
4201	12	32	14.0	0.6	10600	6200	0.05	0.12
4202	15	35	14.0	0.6	11900	7500	0.06	0.13
4203	17	40	16.0	0.6	14800	9500	0.09	0.20
4204	20	47	18.0	1.0	17800	12500	0.14	0.31
4205	25	52	18.0	1.0	19000	14500	0.16	0.35
4206	30	62	20.0	1.0	26000	20500	0.26	0.57
4207	35	72	23.0	1.1	35100	28500	0.40	0.88
4208	40	80	23.0	1.1	37050	32500	0.50	1.10
4209	45	85	23.0	1.1	39000	36000	0.54	1.19
4210	50	90	23.0	1.1	40500	40000	0.58	1.28
4211	55	100	25.0	1.5	45000	44000	0.80	1.76
4212	60	110	28.0	1.5	57000	55000	1.10	2.43
4213	65	120	31.0	1.5	67500	67000	1.45	3.20
4214	70	125	31.0	1.5	70000	73500	1.50	3.31
4215	75	130	31.0	1.5	72500	80000	1.60	3.53
4216	80	140	33.0	2.0	80500	90000	2.00	4.41
4217	85	150	36.0	2.0	93600	102000	2.55	5.62
4218	90	160	40.0	2.0	112000	122000	3.20	7.05



Enduro™ Radial Ball Bearings 4300 Series

ABI Industries
 6505 San Leandro St.
 Oakland, CA 94621
 Tel: 510 613 8200
 Fax: 510 613 8207

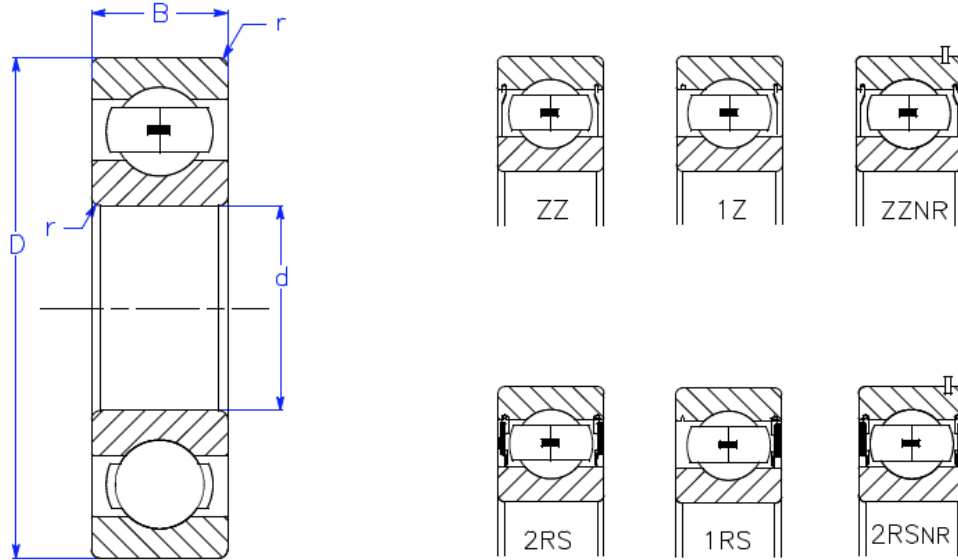


PART NO.	$\varnothing d$ (mm)	$\varnothing D$ (mm)	B (mm)	r (mm)	Dyn. C (N)	Stat. Co (N)	Weight (kg)	Weight (lbs)
4302	15	42	17.0	1.0	14800	9500	0.12	0.26
4303	17	47	19.0	1.1	19500	13500	0.16	0.35
4304	20	52	21.0	1.1	23400	16000	0.21	0.46
4305	25	62	24.0	1.1	31900	22500	0.34	0.75
4306	30	72	27.0	1.1	41200	30000	0.50	1.10
4307	35	80	31.0	1.5	50500	38000	0.69	1.52
4308	40	90	33.0	1.5	55700	45000	0.95	2.09
4309	45	100	36.0	1.5	68500	56000	1.25	2.76
4310	50	110	40.0	2.0	81500	70000	1.70	3.75
4311	55	120	43.0	2.0	97500	83000	2.15	4.74
4312	60	130	46.0	2.1	112000	98000	2.65	5.84



Enduro™ Radial Ball Bearings: 6200 Inch Series

ABI Industries
 6505 San Leandro St.
 Oakland, CA 94621
 Tel: 510 613 8200
 Fax: 510 613 8207

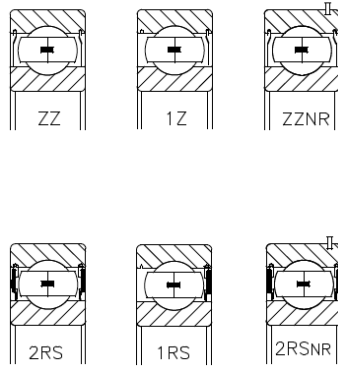
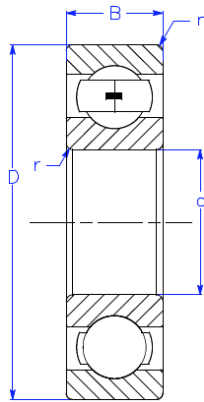


PART NO.	$\varnothing d$	$\varnothing d$	$\varnothing D$	B	r	Dyn. C	Stat. Co	Weight	Weight
	(mm)	(inch)	(mm)	(mm)	(mm)				
6201-8	12.7000	0.5000	32.0	10.0	0.6	6819	3051	0.03	0.07
6201-13	13.0000	0.5118	32.0	10.0	0.6	6819	3051	0.03	0.07
6202-8	12.7000	0.5000	35.0	11.0	0.6	7651	3719	0.04	0.09
6202-13	13.0000	0.5118	35.0	11.0	0.6	7651	3719	0.04	0.09
6202-14	14.0000	0.5512	35.0	11.0	0.6	7651	3719	0.04	0.09
6202-10	15.8750	0.6250	35.0	11.0	0.6	7651	3719	0.04	0.09
6202-16	16.0000	0.6299	35.0	11.0	0.6	7651	3719	0.04	0.09
6203-8	12.7000	0.5000	40.0	12.0	1.0	9581	4782	0.06	0.13
6203-13	13.0000	0.5118	40.0	12.0	1.0	9581	4782	0.06	0.13
6203-15	15.0000	0.5906	40.0	12.0	1.0	9581	4782	0.06	0.13
6203-10	15.8750	0.6250	40.0	12.0	1.0	9581	4782	0.04	0.09
6203-16	16.0000	0.6299	40.0	12.0	1.0	9581	4782	0.06	0.13
6203-12	19.0500	0.7500	40.0	12.0	1.0	9581	4782	0.06	0.13
6204-12	19.0500	0.7500	47.0	14.0	1.0	12802	6650	0.10	0.22
6206-16	15.9995	0.6299	62.0	16.0	1.0	19501	11499	0.20	0.44



Enduro™ Radial Ball Bearings: Electric Motor Series

ABI Industries
6505 San Leandro St.
Oakland, CA 94621
Tel: 510 613 8200
Fax: 510 613 8207



Enduro Low-Noise Electric Motor Bearings

- C3 clearance, ABEC 1 tolerance
- Mobil Polytrex EM Grease; 30% fill
- Light contact 2RS seal or metal shield
- Super finished ball path
- Grade 10 balls
- V2 noise level; individually tested

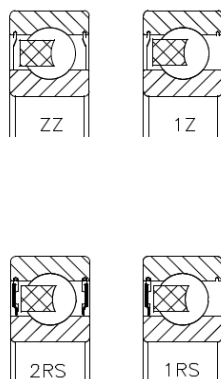
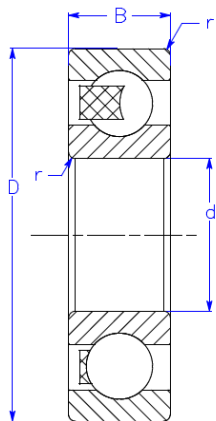
PART NO.	Ø d (mm)	Ø D (mm)	B (mm)	r (mm)	Dyn. C (N)	Stat. Co (N)	Weight (kg) / (lbs)	.2RS (\$)	.ZZ (\$)
6000 Series									
6000	10	26	8	0.3	4600	2000	0.02 / 0.04		
6001	12	28	8	0.3	5100	2400	0.02 / 0.05		
6002	15	32	9	0.3	5600	2900	0.03 / 0.07		
6003	17	35	10	0.3	6000	3300	0.04 / 0.09		
6004	20	42	12	0.6	9400	5000	0.07 / 0.15	1.25	
6005	25	47	12	0.6	10000	5800	0.08 / 0.17	2.00	
6006	30	55	13	1.0	13200	8300	0.11 / 0.24	2.35	
6007	35	62	14	1.0	16200	10500	0.15 / 0.33	3.20	
6008	40	68	15	1.0	17200	11801	0.18 / 0.41	4.00	
6009	45	75	16	1.0	21000	14800	0.23 / 0.51	4.25	
6010	50	80	16	1.0	22000	16200	0.26 / 0.57	6.35	
6011	55	90	18	1.0	30200	21800	0.36 / 0.80		
6012	60	95	18	1.0	31500	25000	0.38 / 0.85		
6200 Series									
6200	10	30	9	0.6	5102	2380	0.03 / 0.07	0.80	
6201	12	32	10	0.6	6819	3051	0.03 / 0.08	1.10	
6202	15	35	11	0.6	7651	3719	0.04 / 0.10	1.10	
6203	17	40	12	0.6	9581	4782	0.06 / 0.14	0.85	0.80
6204	20	47	14	1.0	12802	6650	0.10 / 0.23	1.40	1.40
6205	25	52	15	1.0	13999	7878	0.13 / 0.28	1.80	1.80
6206	30	62	16	1.0	19501	11499	0.20 / 0.44	2.25	
6207	35	72	17	1.0	25502	15200	0.29 / 0.63	3.50	
6208	40	80	18	1.0	29501	18002	0.37 / 0.81		
6209	45	85	19	1.0	31498	20502	0.42 / 0.91	6.10	
6210	50	90	20	1.0	34999	23202	0.46 / 1.01	7.75	
6211	55	100	21	1.5	43401	29398	0.61 / 1.33		
6212	60	110	22	1.5	52400	36200	0.78 / 1.72	8.95	
6213	65	120	23	1.5	57200	40101	0.99 / 2.18	15.00	
6300 Series									
6302	15	42	13	1.0	11499	5418	0.08 / 0.18	1.70	
6303	17	47	14	1.0	13500	6579	0.11 / 0.24	1.90	
6304	20	52	15	1.1	15800	7878	0.14 / 0.31	2.00	
6305	25	62	17	1.1	22201	11499	0.22 / 0.48	2.40	
6306	30	72	19	1.1	27001	15200	0.35 / 0.77	3.20	
6307	35	80	21	1.5	33202	19199	0.45 / 1.00	4.80	
6308	40	90	23	1.5	40799	23998	0.64 / 1.41	6.75	
6309	45	100	25	1.5	52800	31800	0.87 / 1.92	11.70	
6310	50	110	27	2.0	61999	38299	1.07 / 2.35	15.95	*
6311	55	120	29	2.0	71599	44998	1.37 / 3.01	22.95	*
6312	60	130	31	2.1	81901	52200	1.70 / 3.74	*	*

Additional sizes available upon request



Enduro™ Radial Ball Bearings: Ceramic Hybrid Series

ABI Industries
6505 San Leandro St.
Oakland, CA 94621
Tel: 510 613 8200
Fax: 510 613 8207



Enduro Ceramic Hybrid Bearings

Kyodo Yushi PS-2 grease

Si3N4 grade 5 balls

ABEC 5 precision

Nylon retainer

PART NO.	Ø d	Ø D	B	r	Weight
600 Series	(mm)	(mm)	(mm)	(mm)	(g)
CH 686 LLB	6.000	13.000	5.000	0.300	2.4
CH 626 LLB	6.000	19.000	6.000	0.300	6.9
CH 697 LLB	7.000	17.000	5.000	0.300	4.7
CH 607 LLB	7.000	19.000	6.000	0.300	6.6
CH 688 LLB	8.000	16.000	5.000	0.300	3.1
CH 608 LLB	8.000	22.000	7.000	0.300	10.1
CH 699 LLB	9.000	20.000	6.000	0.300	6.5
CH 609 LLB	9.000	24.000	7.000	0.300	14.5
6800 Series	(mm)	(mm)	(mm)	(mm)	(g)
CH 6800 LLB	10.000	19.000	5.000	0.300	4.5
CH 63800 LLB	10.000	19.000	7.000	0.300	6.4
CH 6801 LLB	12.000	21.000	5.000	0.300	5.3
CH 6802 LLB	15.000	24.000	5.000	0.300	6.4
CH 6803 LLB	17.000	26.000	5.000	0.300	6.9
CH 6804 LLB	20.000	32.000	7.000	0.300	15.5
CH 6805 LLB	25.000	37.000	7.000	0.300	18.7
CH 6805N LLB	25.000	37.000	6.000	0.300	16.7
CH 6806 LLB	30.000	42.000	7.000	0.300	20.2
CH 6807 LLB	35.000	47.000	7.000	0.300	25.1
CH 6808 LLB	40.000	52.000	7.000	0.300	29.2
3800 Series	(mm)	(mm)	(mm)	(mm)	(g)
CH 3803 LLB-W	17.000	26.000	10.000	0.300	14.6
6000 Series	(mm)	(mm)	(mm)	(mm)	(g)
CH 6000 LLB	10.000	26.000	8.000	0.305	15.9
CH 6001 LLB	12.000	28.000	8.000	0.300	17.7
6900 Series	(mm)	(mm)	(mm)	(mm)	(g)
CH 6900 LLB	10.000	22.000	6.000	0.300	8.3
CH 6901 LLB	12.000	24.000	6.000	0.300	9.8
CH 6902 LLB	15.000	28.000	7.000	0.300	13.9
CH 6903 LLB	17.000	30.000	7.000	0.300	14.5
CH 6903 LLB/29.5	17.000	29.500	7.000	0.300	13.3
CH 6904 LLB	20.000	37.000	9.000	0.300	31.1
CH MR 240737 LLB	24.070	37.000	7.000	0.300	18.9
MR Series	(mm)	(mm)	(mm)	(mm)	(g)
CH MR1526 LLB	15.000	26.000	7.000	0.300	10.8
CH MR 17287 LLB	17.000	28.000	7.000	0.300	13.0
CH MR2437 LLB	24.000	37.000	7.000	0.300	18.9
R Series	(in)	(in)	(in)	(in)	(g)
CH R 4 LLB	0.250	0.625	0.196	0.012	4.1
CH R 6 LLB	0.375	0.875	0.288	0.016	9.2
CH R 8 LLB	0.500	1.125	0.563	0.016	18.1

Additional sizes available upon request