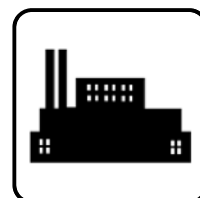


Service Parts

Engine



Engine Models:

John Deere
4045HFG04
4045HFG09

Generator Models:

80/100REOZJ4
90/120REOZT4

KOHLER
Power Systems

9001
KOHLER
POWER SYSTEMS
NATIONALLY REGISTERED

TP-6987 3/16

Table of Contents

Subject	Page	Subject	Page
Introduction	3	Group 40: Engine Oil Dipstick	34
Numbering System Significance	3	Group 42: Diesel Exhaust Filter Line	35
Illustrations	3	Group 43: Starting Aid	36
How to Find Part Numbers	3	Group 44: Timing Gear Cover	38
Hardware References	3	Group 45: Balancer Shaft	39
Engine Model Index	4	Group 46: Cylinder Block	40
Group 11: Valve Cover	5	Group 47: Crankshaft and Bearings	44
Group 12: Oil Filler	6	Group 47: Crankshaft and Bearings	45
Group 13: Crankshaft Pulley	7	Group 48: Piston Connecting Rod and Cylinder Liner	46
Group 14: Flywheel Housing	8	Group 49: Valve Actuating Mechanism	48
Group 15: Flywheel	9	Group 50: Oil Pump	49
Group 16: Fuel Injection Pump	10	Group 51: Cylinder Head	51
Group 16: Fuel Injection Pump	11	Group 54: Air Intake Turbo	53
Group 17: Air Intake	12	Group 57: Water Pump Inlet	55
Group 19: Oil Pan	14	Group 59: Oil Cooler and Filter	56
Group 20: Water Pump Pulley	15	Group 61: Aftertreatment	58
Group 21: Thermostat Cover	16	Group 61: Aftertreatment	59
Group 22: Thermostat	17	Group 62: Alternator Bracket	60
Group 23: Fan Drive	18	Group 65: Turbocharger	62
Group 24: Fan Belt	19	Group 67: Sensors	66
Group 28: Exhaust Manifold	20	Group 70: Exhaust Pipe	68
Group 29: Ventilating System	22	Group 71: Converter	69
Group 30: Starter Motor	23	Group 84: Wiring Harness	70
Group 31: Alternator	24	Group 86: Fan Pulley	74
Group 33: Diesel Exhaust Filter Line	25	Group 87: Belt Tensioner	75
Group 34: Diesel Exhaust Filter Tank Sender	27	Group 88: Engine Oil Filter	76
Group 35: Fuel Filter	28	Group 89: Exhaust Gas Recirculation	78
Group 35: Fuel Filter	29	Group 91: DPF Fittings	82
Group 36: Front Plate	30	Group 98: Lift Strap	83
Group 36: Front Plate	31		
Group 37: Fuel Transfer Pump	32		
Group 39: Thermostat Housing	33		

Introduction

This manual lists service replacement parts for John Deere engine models 4045HFG04 & 4045HFG09.

At the time of print this manual applied to the engine models listed in the Model Index. On occasion this manual may apply to engines not listed in the Model Index.

Information in this publication represents data available at the time of print. The generator set manufacturer reserves the right to change this publication and the products represented without notice and without any obligation or liability whatsoever.

This manual includes the following main sections:

Table of Contents. Lists the sections of the manual.

Introduction (and other information sections). Contains introductory material about part numbers, illustrations, and hardware.

Index. Lists the engine models and groups.

Group Parts Lists. List the part numbers of parts in the groups.

Numbering System Significance

This manual uses the following numbering systems:

Engine Model. The product identification number located on the engine nameplate. Engines break down into groups.

Group Number. A unique number representing a parts group needed to assemble an engine function. For example, Group 1 is the Air Intake group.

Variation Number. A group might have several variations. Each variation performs the same function with different parts lists. For example, a 12-volt alternator and 24-volt alternator both perform the same function, but, with different parts. Each difference requires a group variation or module number.

Part Number. The part number identifies an individual assembly, subassembly, component, or accessory kit.

Illustrations

Illustrations (or exploded-view drawings) best representing the widest range of variations accompany most groups in this manual. Illustrations do not depict all details and may not show all parts. Do not use illustrations for assembly or disassembly.

How to Find Part Numbers

Use the following steps to locate a service replacement part.

1. Locate the engine nameplate to **identify the engine model number.**
2. **Turn to the Model Index.** The first column lists the engine model numbers. The headings identify the groups of parts that make up the engine.
3. **Identify the group** most likely to include the service part number.
4. **Find the group variation number** at the intersection of the model row and the group column. Note the variation number.
5. **Page forward to locate the group** identified in step 3 or find the appropriate page in the Table of Contents.
6. **Find the part on the illustration** and note the item number of the part or **find the part description in the parts list.**
7. Select **the part number that corresponds to your group variation.** The first column lists the illustration item number. Find the variation identified in the Model Index in the appropriate column on the right side of the parts list table. Find the quantity used at the intersection of the item number row and the variation column. A blank space at the intersection means the variation/module does not use that part number.

Hardware References

Many common hardware items do not appear in parts manuals or will appear as common hardware entries. A common hardware entry lists the size of the hardware. For example, an item that appears as "Hardware, 3/8-16" in the text means that the piece is 3/8-16 size. Obtain common hardware locally.

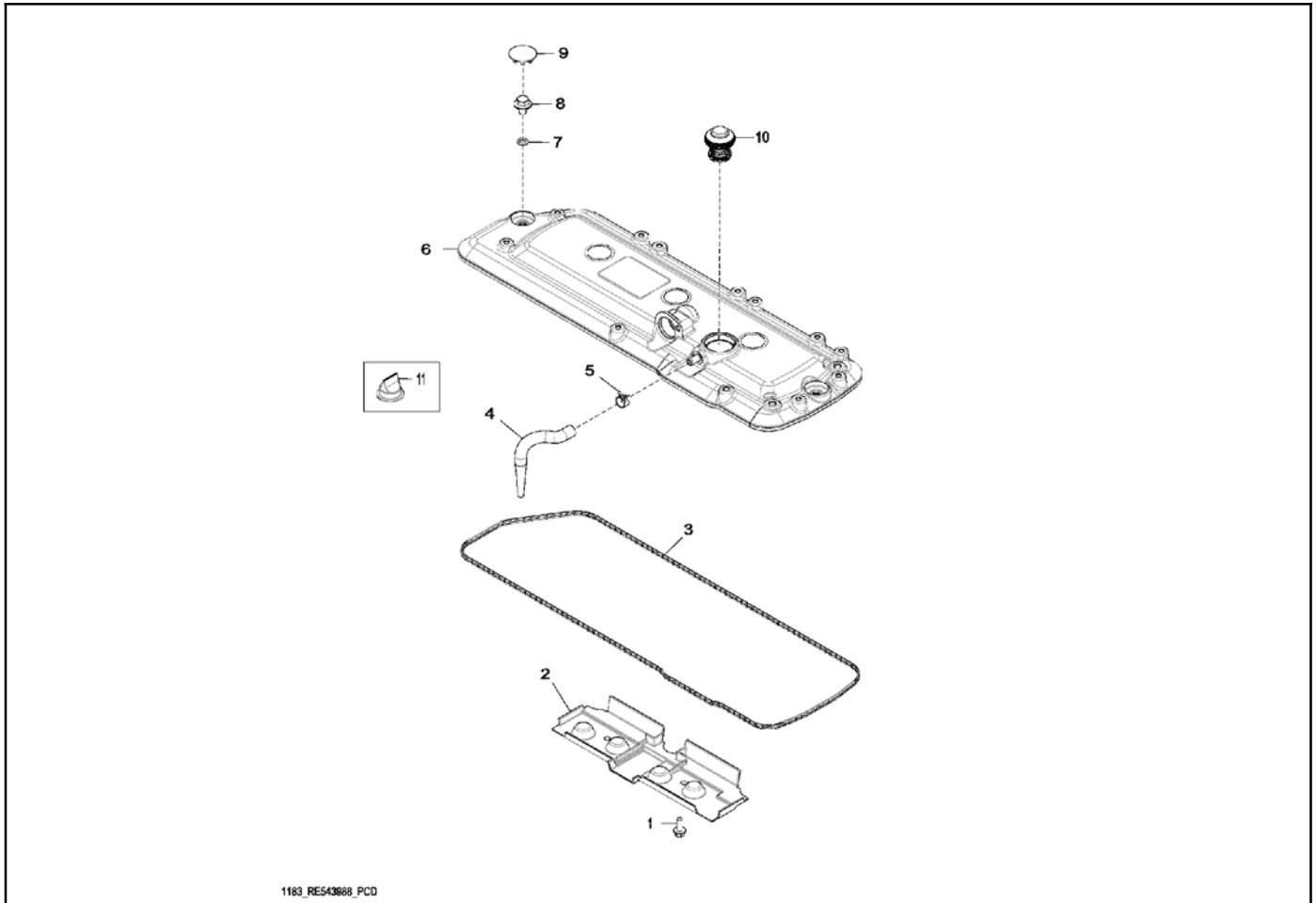
Some hardware items require a specific size or some other characteristic. In that case, use the part number listed in the text.

When replacing hardware, do not substitute inferior grade hardware. Replacement hardware grade should be equal to or better than the grade of the manufacturer's original hardware.

Engine Model Index

Group Description		Variation	
		Engine Part Number/Model	
		80REOZJ4/ 90REOZJT	100REOZJ4/ 120REOZT4
		GM94201-1 4045HFG04	GM94202-1 4045HFG09
11	Valve Cover	1183	1183
12	Oil Filler	1297	1297
13	Crankshaft Pulley	1327	1327
14	Flywheel Housing	1403	1403
15	Flywheel	1503	1503
16	Fuel Injection Pump	16MQ	16JU
17	Air Intake	17FQ	17ER
19	Oil Pan	1976	1976
20	Water Pump Pulley	2001	2001
21	Thermostat Cover	2177	2177
22	Thermostat	2226	2226
23	Fan Drive	2358	2358
24	Fan Belt	24LL	24LL
28	Exhaust Manifold	28BZ	28BY
29	Ventilating System	2989	2989
30	Starter Motor	3084	3084
31	Alternator	31AP	31AP
33	Diesel Exhaust Filter Line	3311	3315
34	Diesel Exhaust Filter Tank Sender	3413	3413
35	Fuel Filter	35HR	35HR
36	Front Plate	3612	3640
37	Fuel Transfer Pump	3713	3713
39	Thermostat Housing	3939	3939
40	Engine Oil Dipstick	4084	4084
42	Diesel Exhaust Filter Line	4205	4205
43	Starting Aid	43AC	4354
44	Timing Gear Cover	4445	4445
45	Balancer Shaft	4501	4501
46	Cylinder Block	46AA	46AC
47	Crankshaft and Bearings	4715	4722
48	Piston Connecting Rod and Cylinder Liner	4879	4868
49	Valve Actuating Mechanism	4914	4914
50	Oil Pump	5001	5024
51	Cylinder Head	5152	5154
54	Air Intake Turbo	5415	5422
57	Water Pump Inlet	5722	5722
59	Oil Cooler and Filter	5963	5962
61	Exhaust Filter	61AW	61AZ
62	Alternator Mounting Hardware	6297	6297
65	Turbocharger	65Q3	65H4
67	Sensors	6760	67C2
70	Exhaust Pipe	7004	7004
71	SCR	7106	7106
84	Wiring Harness	84FU	84FR
86	Fan Pulley	8672	8672
87	Belt Tensioner	8736	8736
88	Engine Oil Filter	8842	8842
89	Exhaust Gas Recirculation	8943	8938
91	DPF Fittings	-	91BR
98	Lift Strap	9863	9866

Group 11: Valve Cover

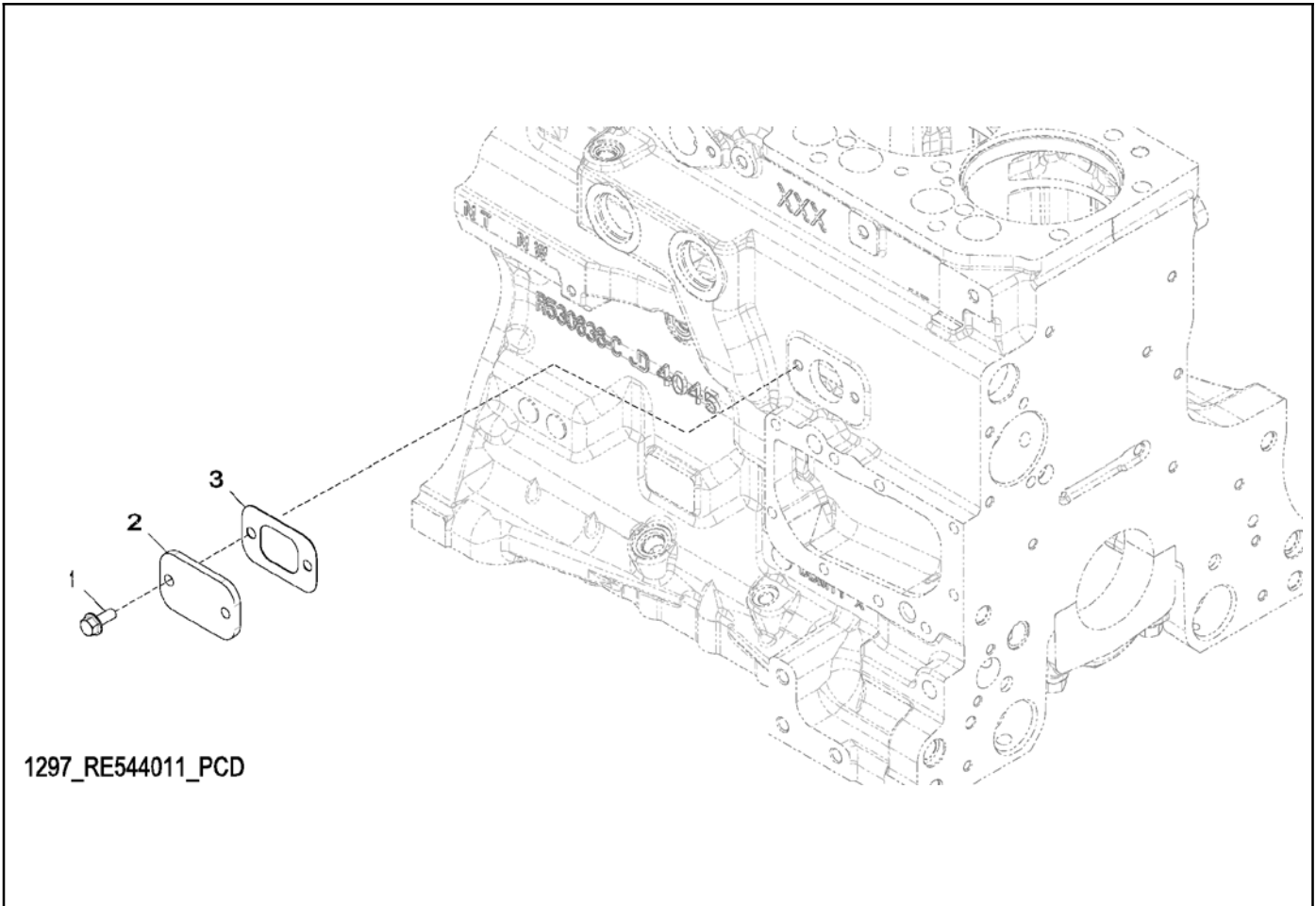


1183_RE543688_PCD

Item	Part Number	Description	Qty.
			Variation 1183
1	GM95664	Screw, M6 X 16	2
2	GM46620	Deflector	1
3	GM88688	Gasket	1
4	GM100363	Hose	1
5	GM63929	Clamp	1
5	GM95941	Clamp	1
6	GM100364	Valve Cover	1
7	360139	O-Ring	5
8	GM49900	Screw	5
9	360004	Plug	5
10	GM96133	Cap	1
11	GM100365	Valve	1

Common hardware; procure locally.

Group 12: Oil Filler

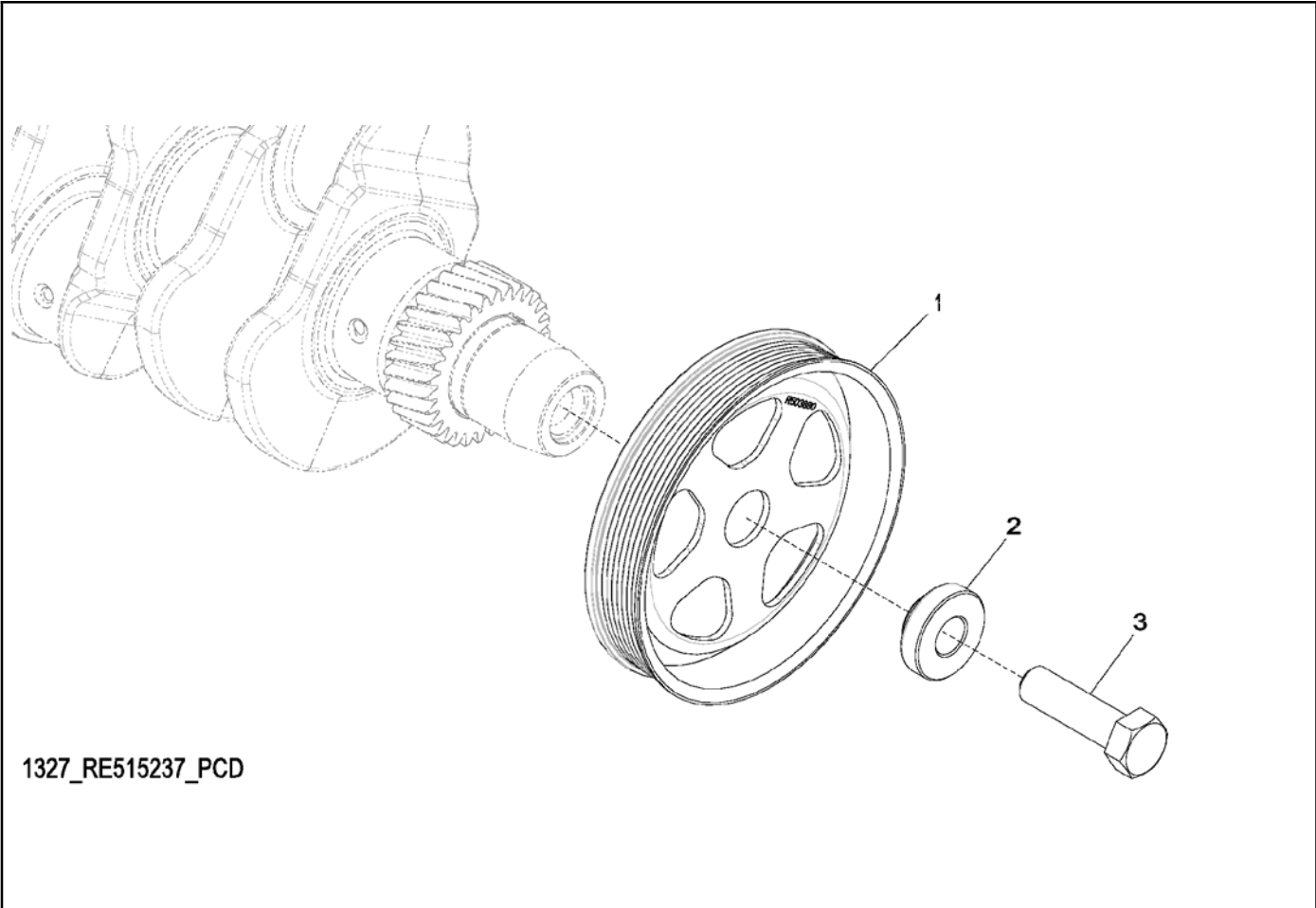


1297_RE544011_PCD

Item	Part Number	Description	Qty.
			Variation
			1297
1	GM24536	Screw	2
2	360089	Cover	1
3	GM17466	Gasket	1

Common hardware; procure locally.

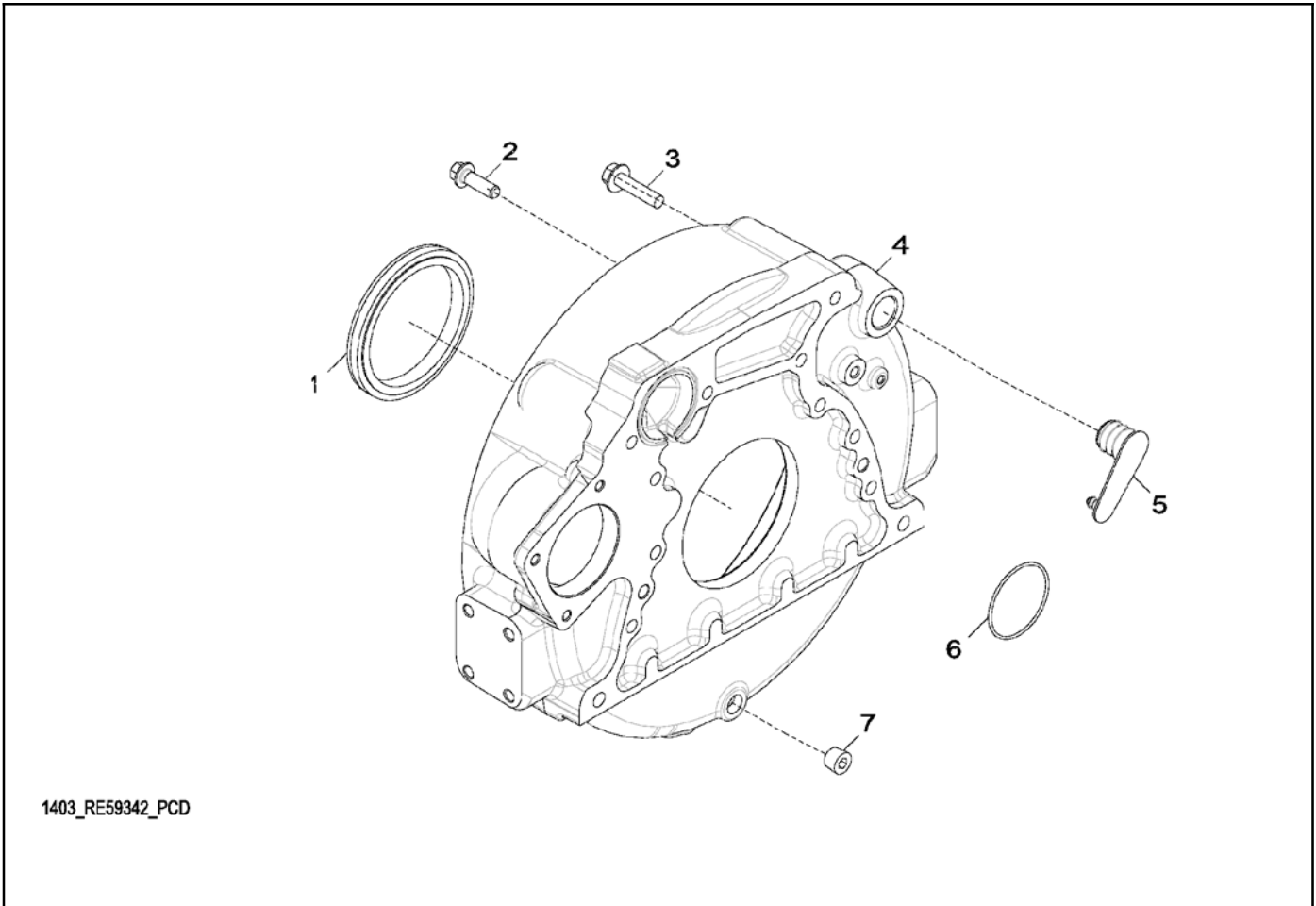
Group 13: Crankshaft Pulley



Item	Part Number	Description	Qty.
			Variation 1327
1	GM32794	Pulley	1
2	GM32801	Bushing	1
3	GM47472	Screw, cap	1

Common hardware; procure locally.

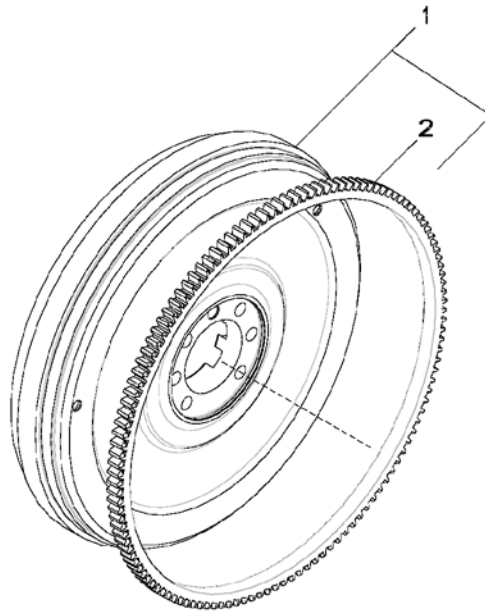
Group 14: Flywheel Housing



Item	Part Number	Description	Qty.
			Variation 1403
1	223583	Seal	1
2	360149	Plug	1
3	#	Pipe Plug, 1/2"	1
4	GM100366	Housing	1
5	360149	Plug	1
6	GM24540	O-ring	1
7	#	Pipe Plug, 1/2"	1

Common hardware; procure locally.

Group 15: Flywheel

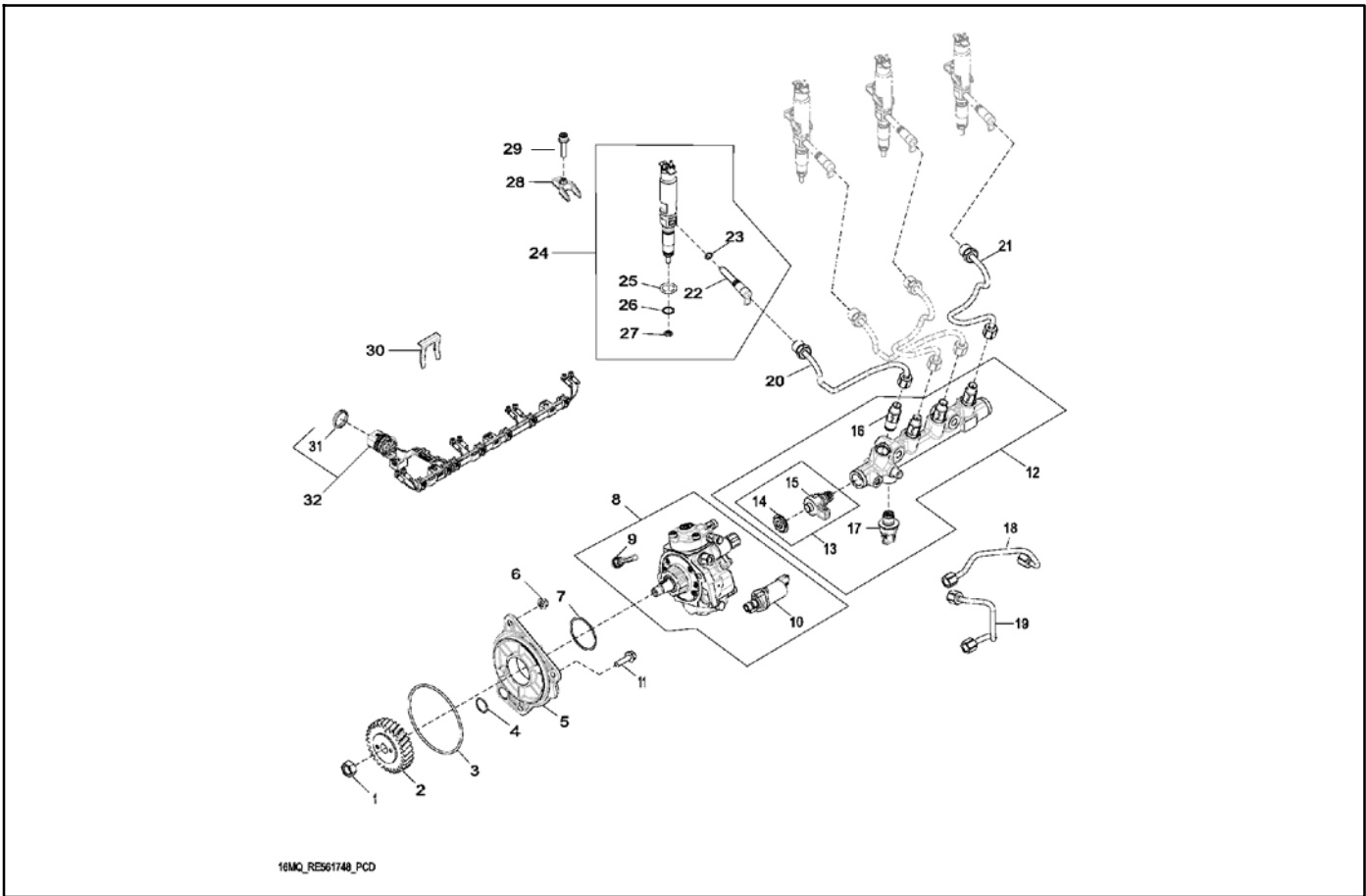


1503_RE59281_PCD

Item	Part Number	Description	Qty.
			Variation 1503
1	GM17501	Flywheel	1
2	223750	Gear	1

Common hardware; procure locally.

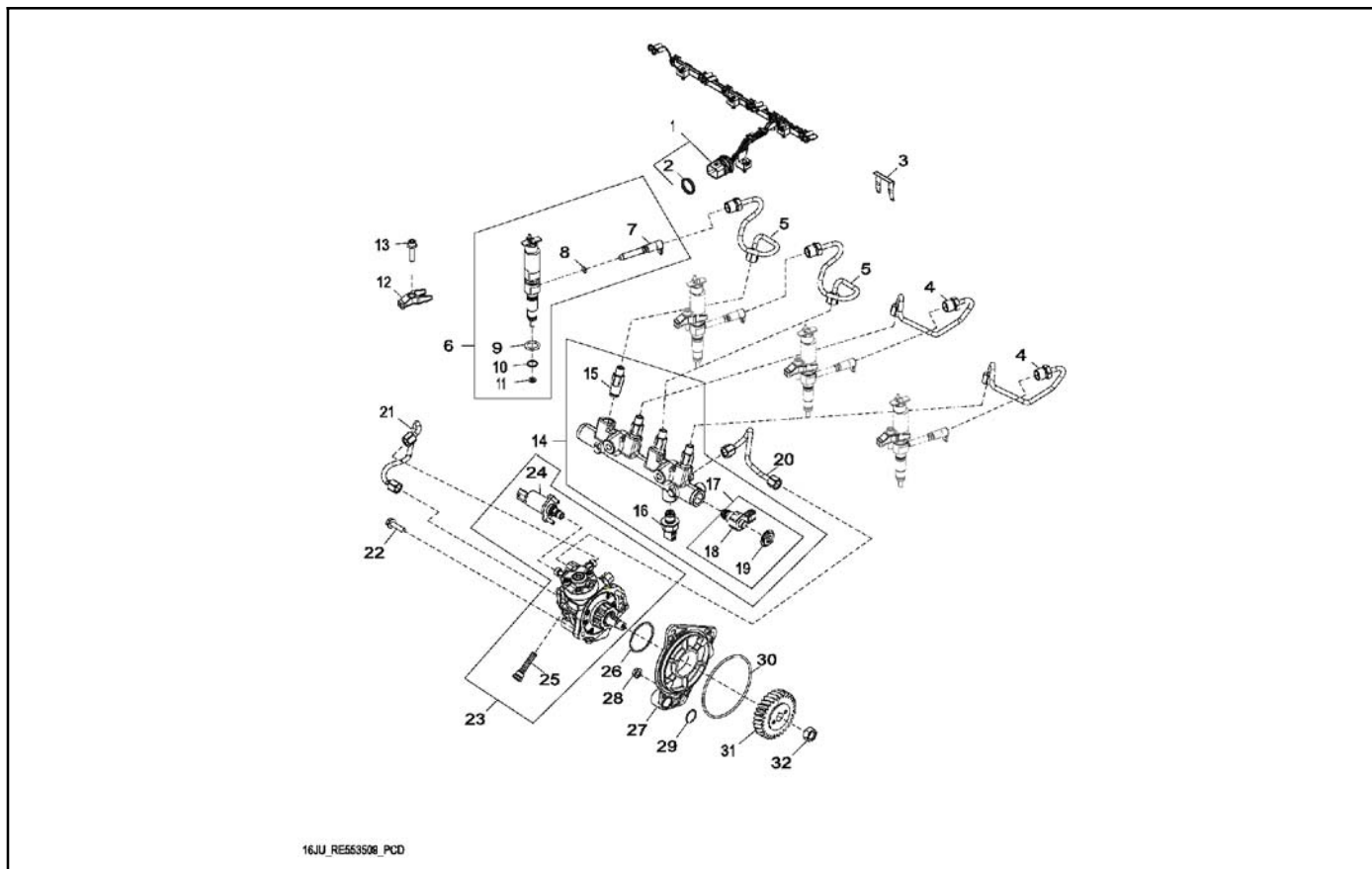
Group 16: Fuel Injection Pump



Item	Part Number	Description	Qty.
			Variation 16MQ
1	224161	Nut	1
2	GM46645	Gear	1
3	GM46644	O-ring	1
4	GM46646	O-ring	1
5	GM46647	Adapter	1
6	#	Flange Nut, M8	3
7	GM46643	O-ring	1
8	GM100367	Fuel Injection Pump	1
9	GM100368	Screen	1
10	GM100369	Control Valve	1
11	#	Screw, M8 X 30	2
12	GM100370	Fuel Rail	1
13	GM100371	Pressure Relief Fitting	1
14	GM96051	Nut	1
15	GM96189	Elec. Connector Terminal	1
16	GM100372	Adapter Fitting	4
17	GM96171	Pressure Sensor	1
18	GM100373	Fuel Line	1
19	GM100374	Fuel Line	1
20	-	Fuel Line	2
21	-	Fuel Line	2
22	GM100375	Tube	4
23	360165	O-ring	4
24	GM100376	Nozzle Kit	4
25	GM46635	O-ring	4
26	223511	O-ring	4
27	GM50119	Washer	4
28	GM79808	Clamp	4
29	GM50059	Screw with washer	4
30	GM95984	Clip	1
31	GM100377	Sealing Ring	1
32	GM100378	Wiring Harness	1

Common hardware; procure locally.

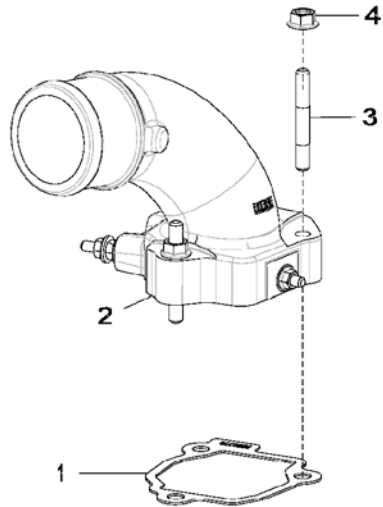
Group 16: Fuel Injection Pump



Item	Part Number	Description	Qty.
			Variation 16JU
1	GM100378	Wiring Harness	1
2	GM100377	Sealing Ring	1
3	GM95984	Clip	1
4	GM100530	Fuel Line	2
5	GM100531	Fuel Line	2
6	GM96210	Nozzle Kit	4
7	GM96169	Tube	4
8	360165	O-ring	4
9	GM46635	O-ring	4
10	223511	O-ring	4
11	GM50119	Washer	4
12	GM79808	Clamp	4
13	GM50059	Screw with washer	4
14	GM100370	Fuel Rail	1
15	GM100372	Adapter Fitting	4
16	GM96171	Pressure Sensor	1
17	GM100371	Pressure Relief Fitting	1
18	GM96189	Elec. Connector Terminal	1
19	GM96051	Nut	1
20	GM100373	Fuel Line	1
21	GM100374	Fuel Line	1
22	#	Screw, M8 X 30	2
23	GM100367	Fuel Injection Pump	1
24	GM100369	Control Valve	1
25	GM100368	Screen	1
26	GM46643	O-ring	1
27	GM46647	Adapter	1
28	#	Flange Nut, M8	3
29	GM46646	O-ring	1
30	GM46644	O-ring	1
31	GM46645	Gear	1
32	224161	Nut	1

Common hardware; procure locally.

Group 17: Air Intake

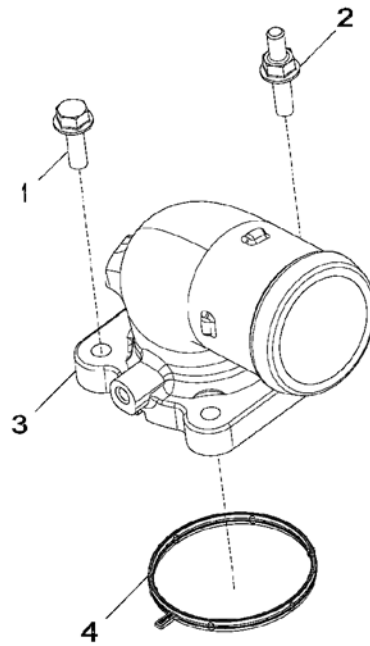


17FQ_ETN125378_PCD

Item	Part Number	Description	Qty.
			Variation 17FQ
1	GM100379	Gasket	1
2	GM100380	Air Intake	1
3	GM100381	Stud	3
4	#	Flange Nut, M8	3

Common hardware; procure locally.

Group 17: Air Intake

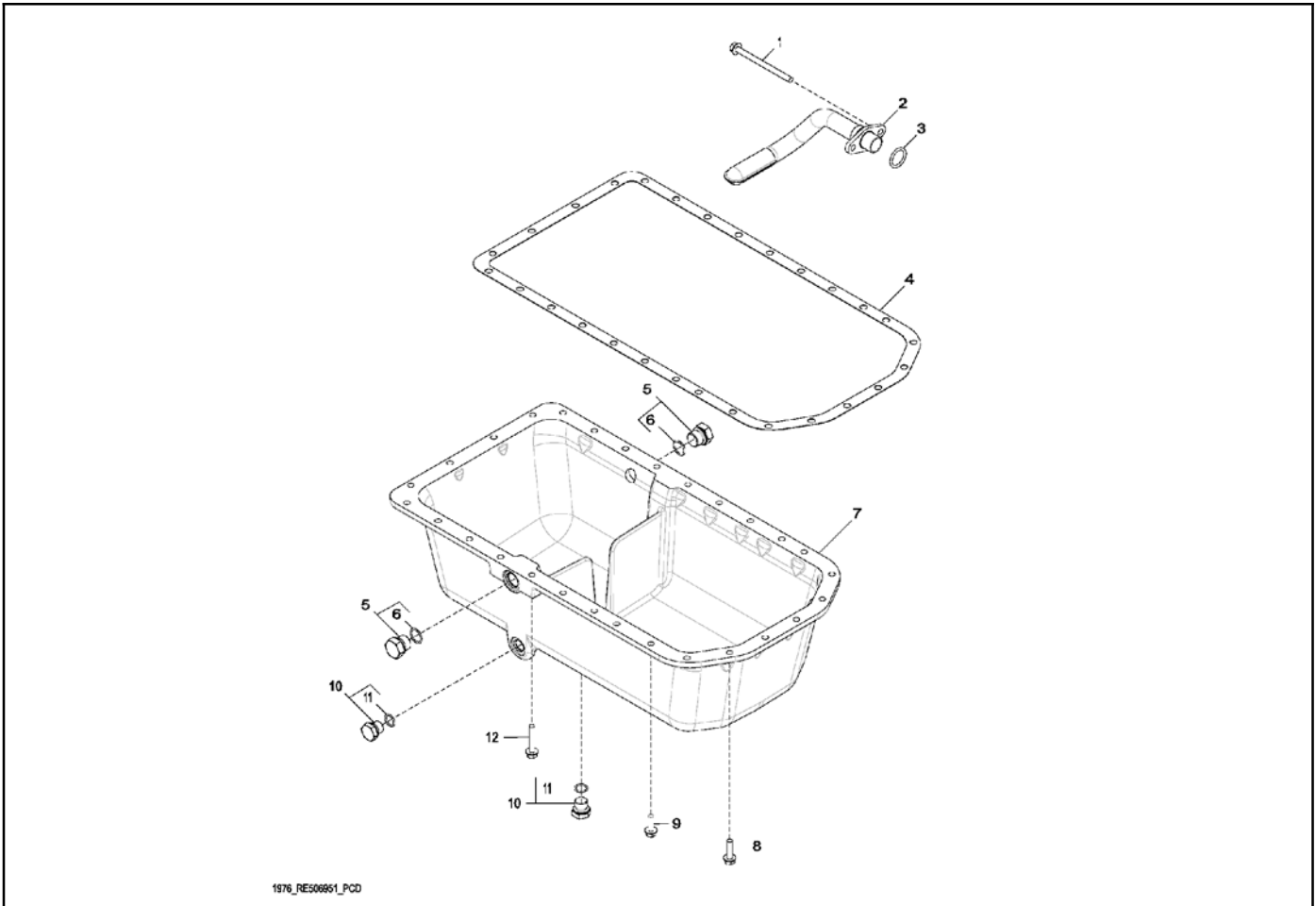


17ER_RE554902_PCD

Item	Part Number	Description	Qty.
			Variation 17ER
1	#	Screw, M8 X 25	2
2	GM95997	Stud	2
3	GM100532	Air Intake	1
4	GM95974	Seal	1

Common hardware; procure locally.

Group 19: Oil Pan

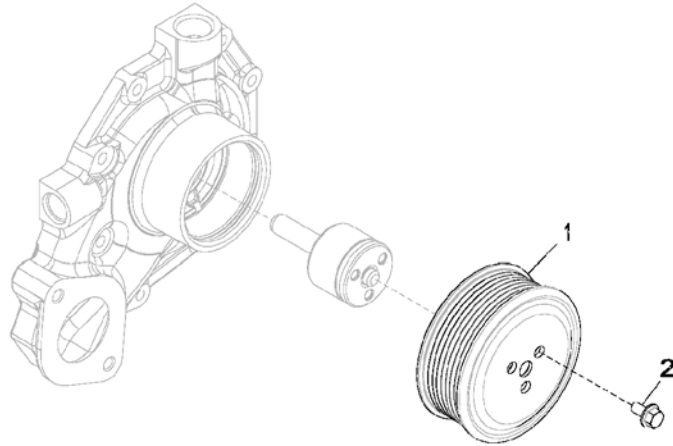


1976_RE5066951_PCD

Item	Part Number	Description	Qty.
			Variation 1976
1	#	Screw, M8 X 110	2
2	GM32846	Oil pan intake	1
3	224035	O-ring	1
4	360527	Gasket, Oil Pan	1
5	GM17498	Fitting	2
6	GM17437	O-ring	1
7	GM100382	Oil Pan	1
8	#	Screw, M8 X 30	6
9	#	Screw, M8 X 25	18
10	360014	Plug	2
11	360176	O-ring	1
12	#	Screw, M8 X 45	4

Common hardware; procure locally.

Group 20: Water Pump Pulley

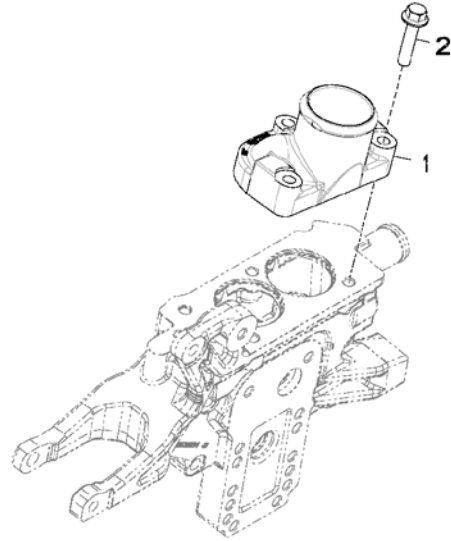


2001_RE58175_PCD

Item	Part Number	Description	Qty.
			Variation 2001
1	360085	Water Pump Pulley	1
2	#	Screw, M6 X 12	3

Common hardware; procure locally.

Group 21: Thermostat Cover

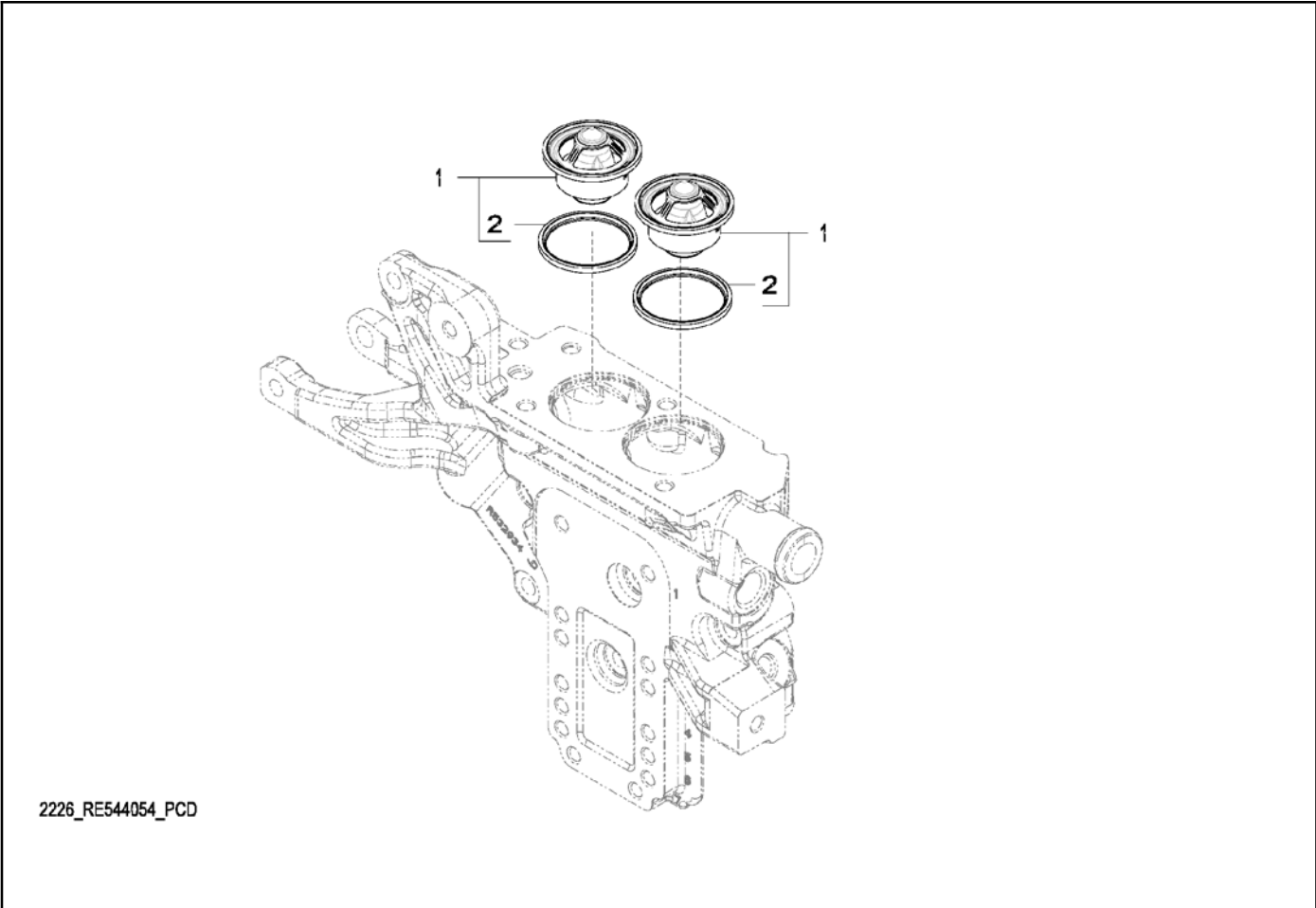


2177_RE544055_PCD

Item	Part Number	Description	Qty.
			Variation 2177
1	GM50185	Housing	1
2	GM75821	Screw, M10 X 45	3

Common hardware; procure locally.

Group 22: Thermostat

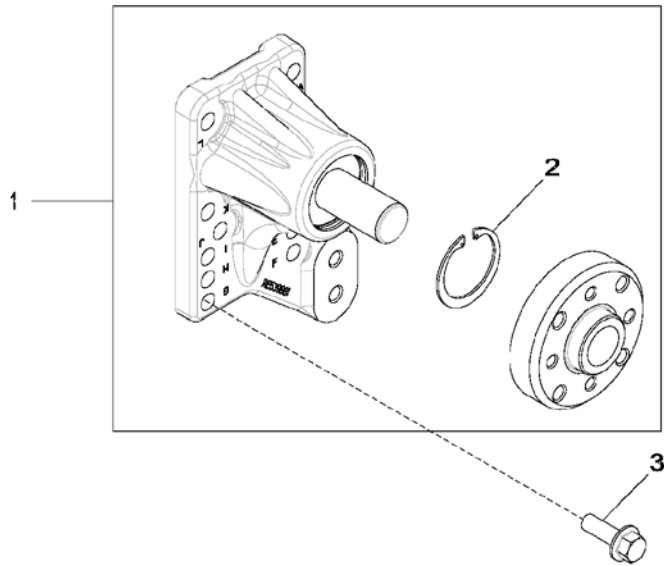


2226_RE544054_PCD

Item	Part Number	Description	Qty.
			Variation 2226
1	GM100383	Thermostat	2
2	GM49907	Seal	1

Common hardware; procure locally.

Group 23: Fan Drive

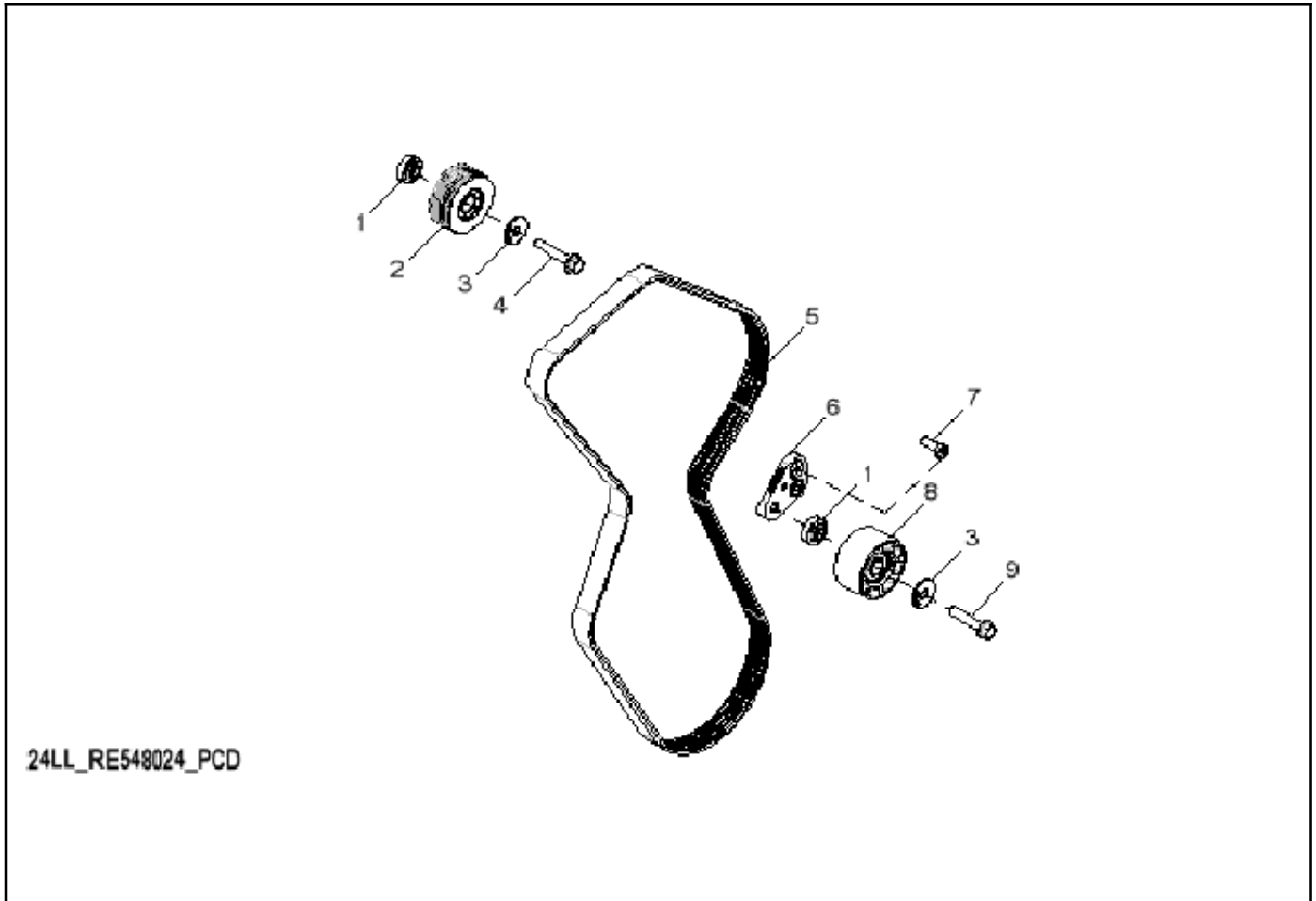


2358_RE543911_PCD

Item	Part Number	Description	Qty.
			Variation 2358
1	GM96114	Fan Drive	1
2	223730	Snap Ring	1
3	M933-10030-82	Screw, M10 X 30	4

Common hardware; procure locally.

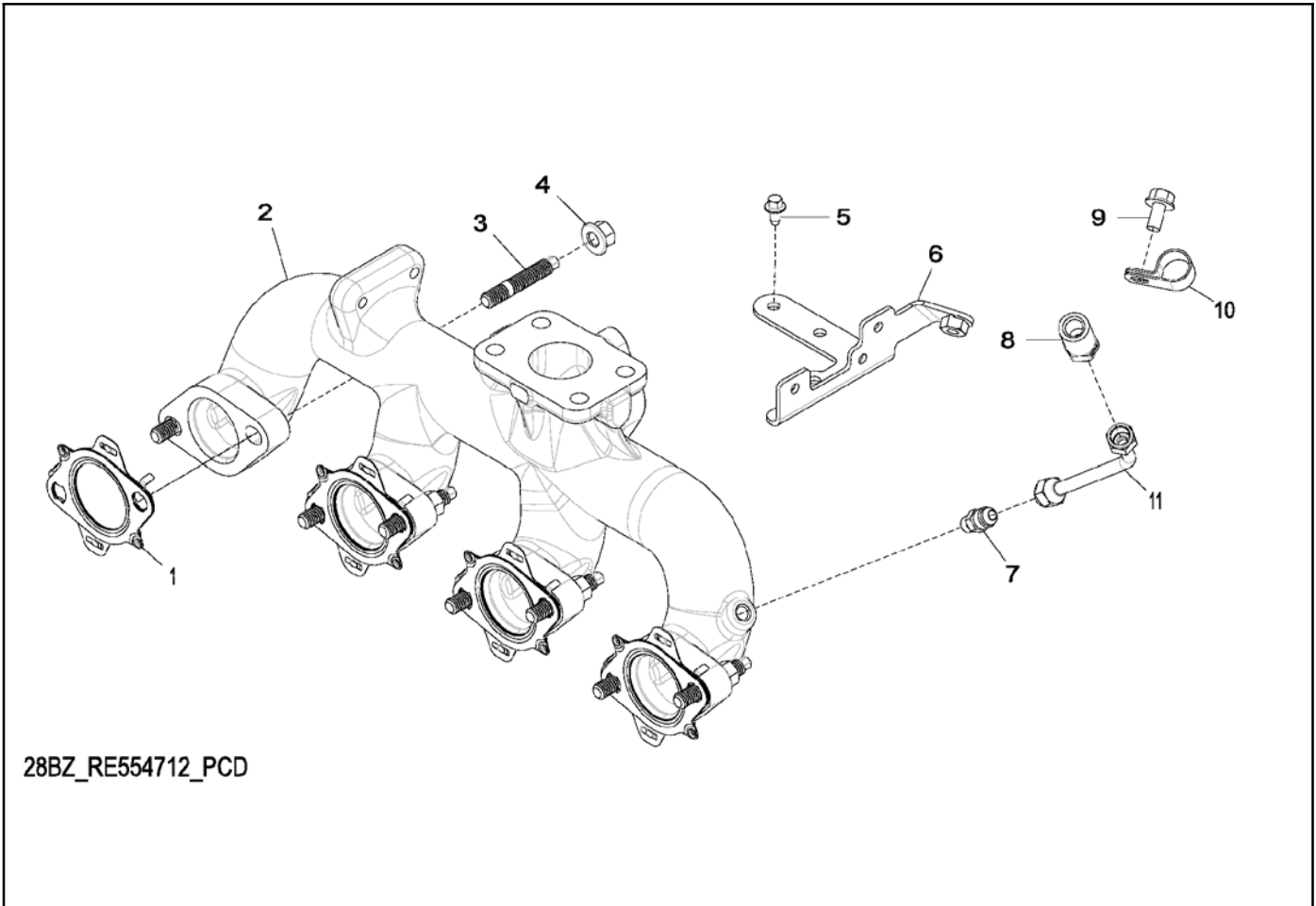
Group 24: Fan Belt



Item	Part Number	Description	Qty.
			Variation 24LL
1	GM100384	Spacer	2
2	GM100385	Pulley	1
3	GM100386	Sleeve	2
4	#	Screw, M10 X 55	1
5	GM100387	V-Belt	1
6	GM100388	Bracket	1
7	#	Screw, M10 X 25	2
8	GM17529	Pulley	1
9	#	Screw, M10 X 50	1

Common hardware; procure locally.

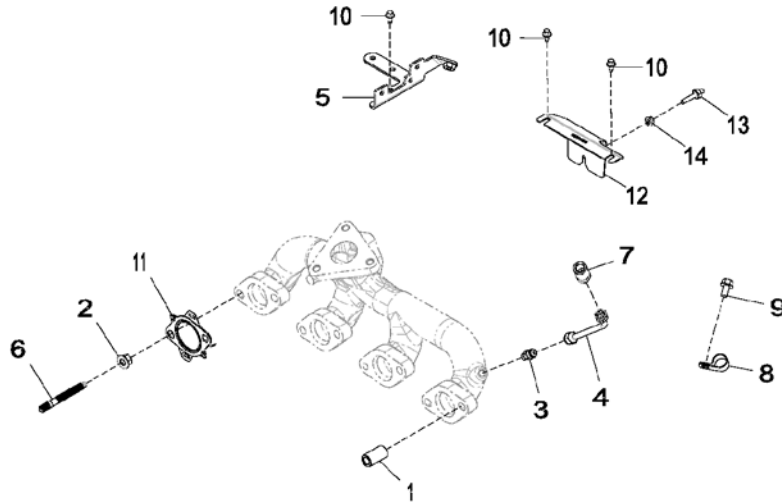
Group 28: Exhaust Manifold



Item	Part Number	Description	Qty.
			Variation 28BZ
1	GM96074	Gasket	4
2	GM100389	Exhaust Manifold	1
3	GM96012	Stud	8
4	GM96061	Flange Nut	8
4	GM96062	Flange Nut	8
5	#	Screw, M6 X 12	3
6	GM100390	Bracket	1
7	223457	Fiting	1
8	GM100391	Adapter Fitting	1
9	#	Screw, M8 X 16	1
10	GM95962	Clamp	1
11	GM100392	Line	1

Common hardware; procure locally.

Group 28: Exhaust Manifold

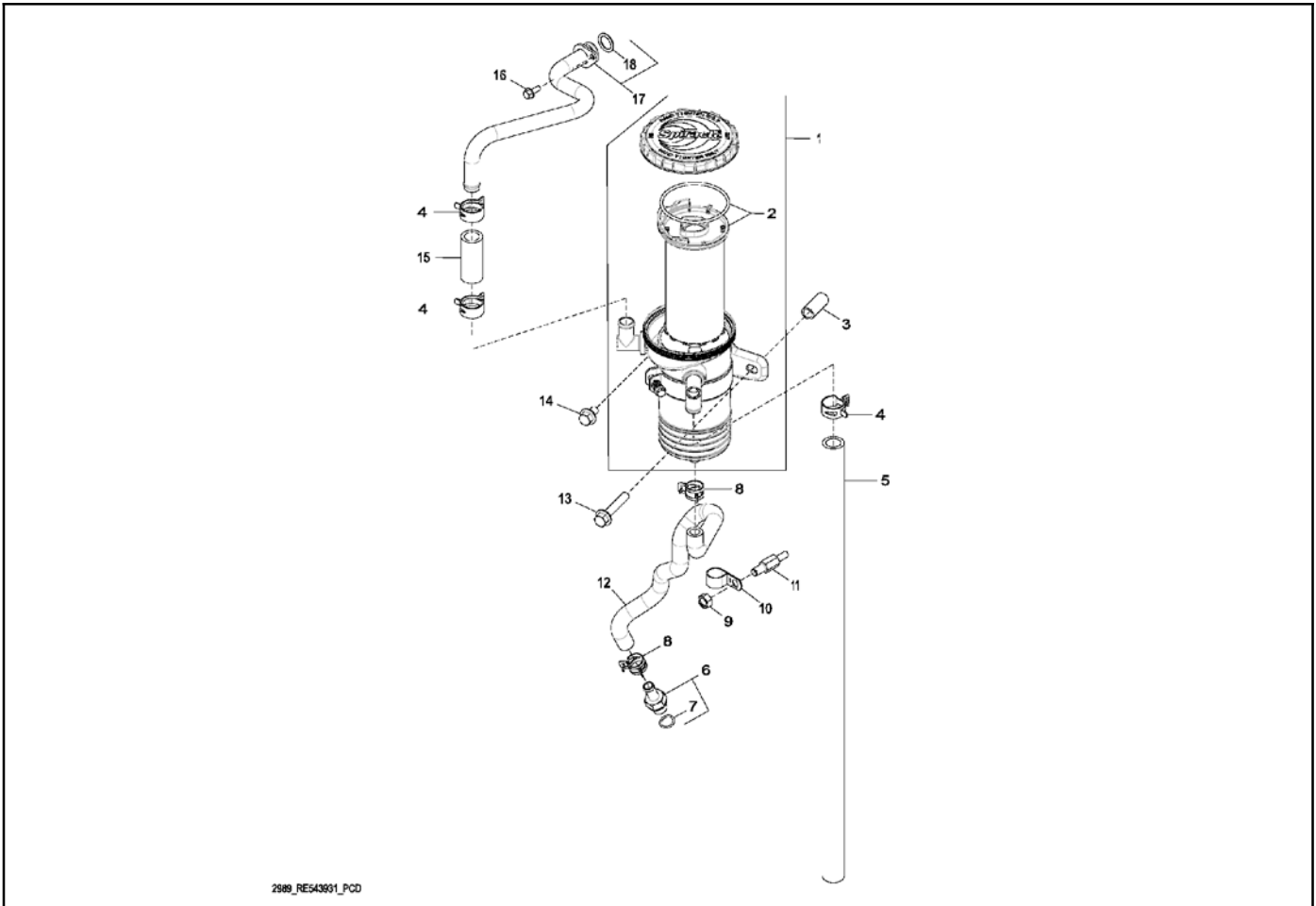


28BY_RE554708_PCD

Item	Part Number	Description	Qty.
			Variation 28BY
1	GM96049	Spacer	8
2	GM96061	Flange Nut	8
2	GM96062	Flange Nut	8
3	223457	Fitting	1
4	GM100392	Line	1
5	GM100390	Bracket	1
6	GM96008	Stud	8
7	GM100391	Adapter Fitting	1
8	GM95962	Clamp	1
9	#	Screw, M8 X 16	1
10	#	Screw, M6 X 12	5
11	GM96074	Gasket	4
12	GM100604	Heat Shield	1
13	GM96050	Stud	1
14	#	Flange Nut, M6	1

Common hardware; procure locally.

Group 29: Ventilating System

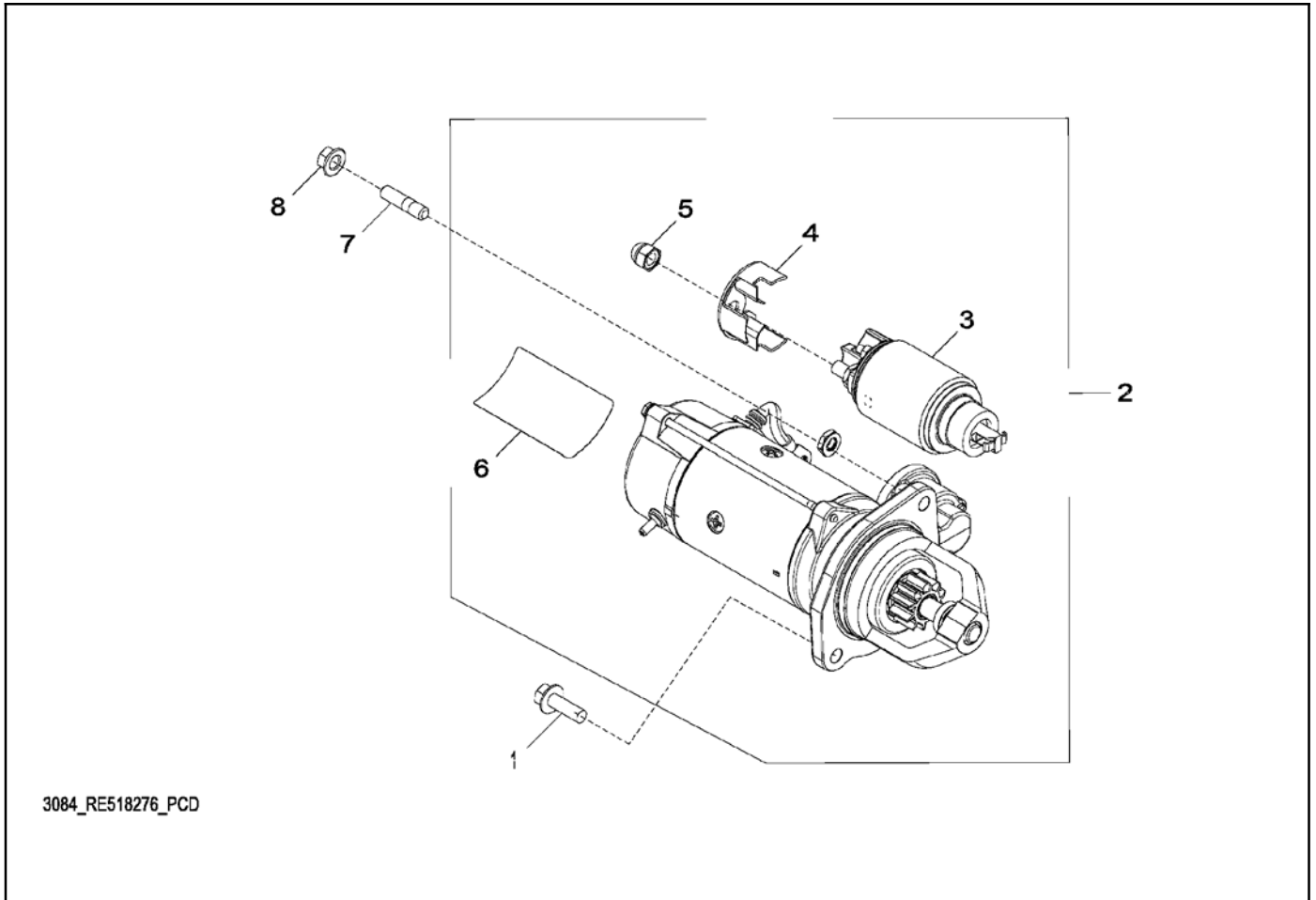


2989_RE543901_PCD

Item	Part Number	Description	Qty.
			Variation 2989
1	GM100393	Filter Head	1
2	GM96121	Filter Element	1
3	GM47104	Bushing, 0.493" X 0.675" X 1-1/2"	1
4	GM95947	Hose Clamp	3
5	GM95961	Hose	1
6	GM96110	Check Valve	1
7	360176	O-ring	1
8	GM95955	Hose Clamp	2
9	GM30375	Flange Nut, M10	1
10	GM100394	Clamp	1
11	GM100395	Stud	1
12	GM100396	Hose	1
13	#	Screw, M10 X 55	1
14	#	Screw, M10 X 16	1
15	GM95956	Hose	1
16	GM95664	Screw, M6 X 16	1
17	GM100397	Tube	1
18	GM95964	O-Ring	1

Common hardware; procure locally.

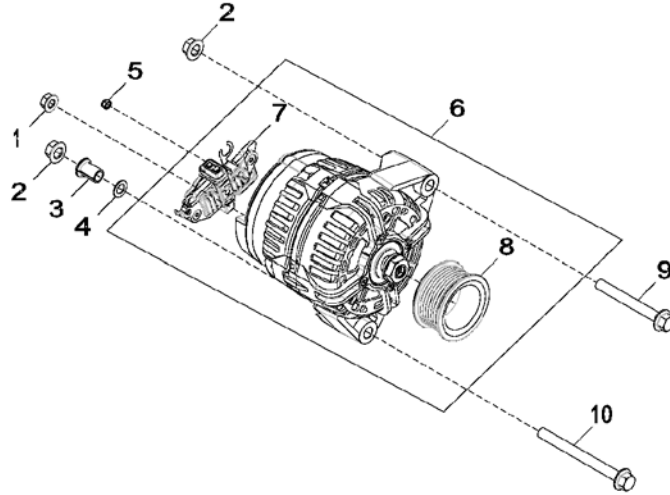
Group 30: Starter Motor



Item	Part Number	Description	Qty.
			Variation 3084
1	M933-10030-82	Screw, M10 X 30	2
2	GM69557	Starter Motor Kit	1
3	GM100398	Solenoid	1
4	GM50642	Cover	1
5	GM80280	Nut	1
6	GM17554	Label	1
7	GM91983	Stud	1
8	GM30375	Flange Nut, M10	1

Common hardware; procure locally.

Group 31: Alternator

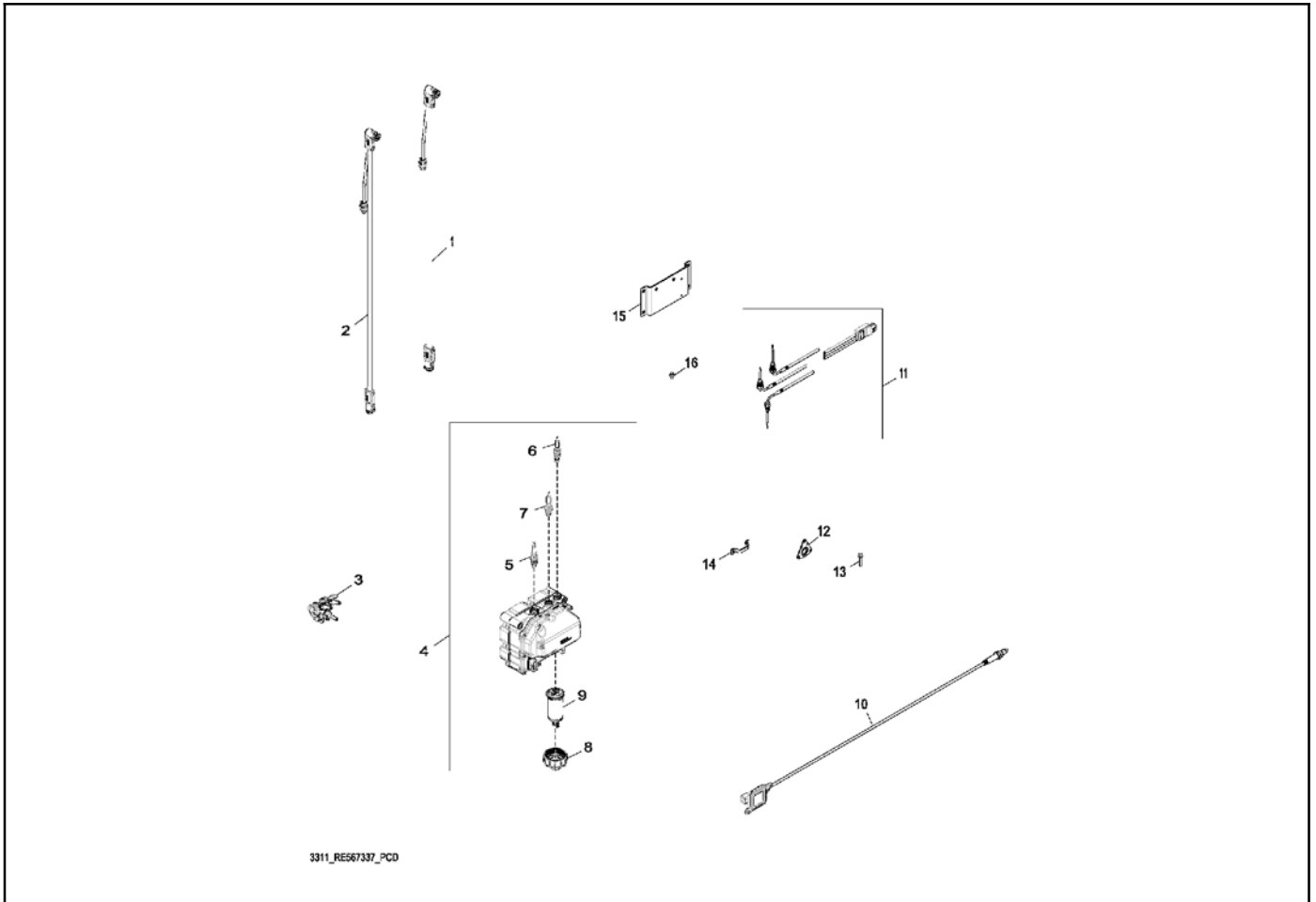


31AP_RE567187_PCD

Item	Part Number	Description	Qty.
			Variation 31AP
1	#	Flange Nut, M8	1
2	GM30375	Flange Nut, M10	2
3	360076	Bushing	1
4	360166	Thrust Washer	1
5	#	Lock Nut, M5	1
6	GM100399	Alternator	1
7	GM100400	Regulator	1
8	GM96006	Pulley	1
9	#	Screw, M10 X 85	1
10	#	Screw, M10 X 110	1

Common hardware; procure locally.

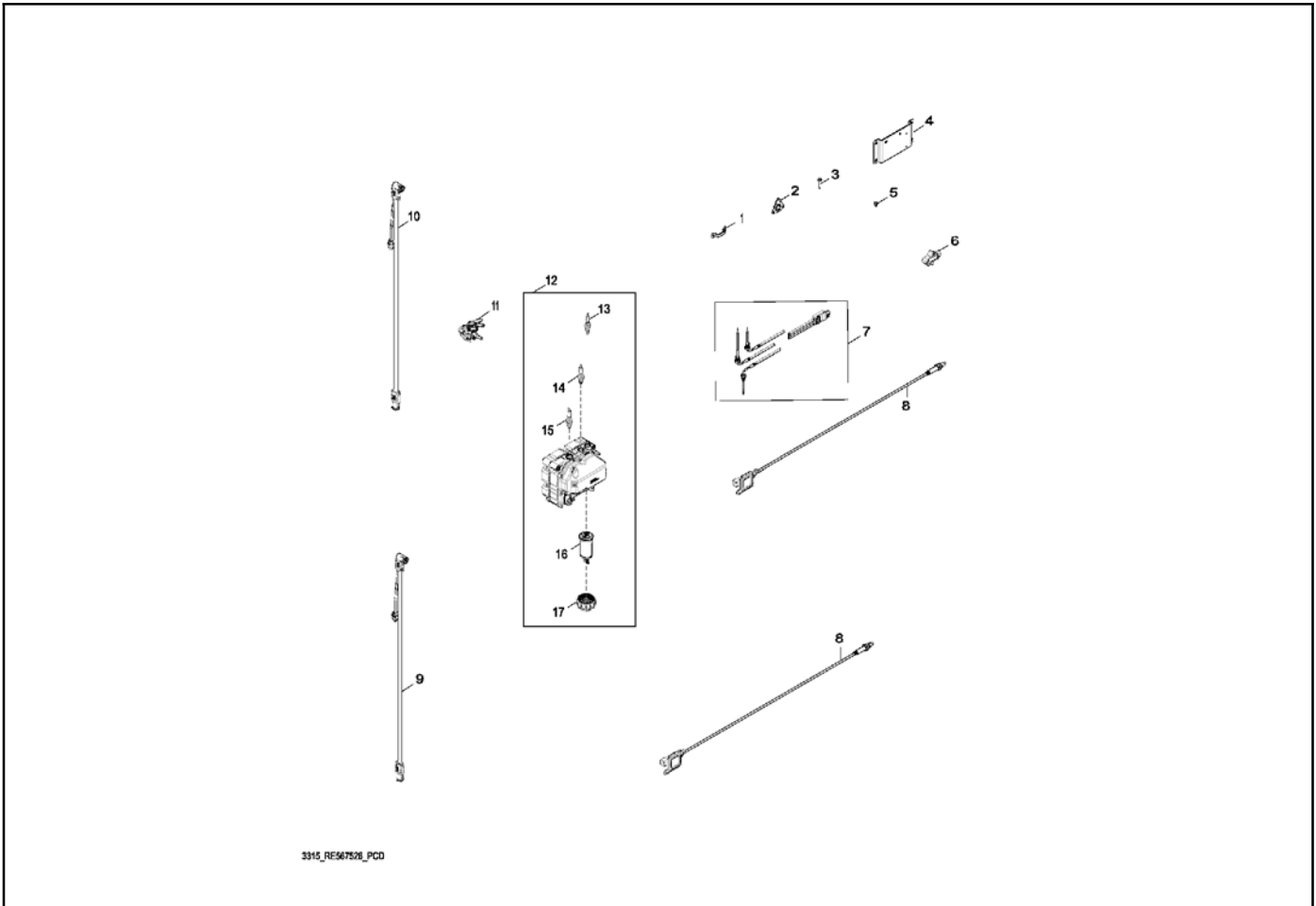
Group 33: Diesel Exhaust Filter Line



Item	Part Number	Description	Qty.
			Variation 3311
1	GM100401	DEF Line	1
2	GM100402	DEF Line	1
3	GM96217	DEF Dosing Injector	1
4	GM100403	DEF Dosing Unit Pump	1
5	GM96155	Adapter Fitting	1
6	GM96156	Adapter Fitting	1
7	GM96157	Adapter Fitting	1
8	GM96202	Cap	1
9	GM100404	Filter	1
10	GM100405	Chemical Sensor	2
11	GM100406	Temperature Sensor	1
12	GM96209	Gasket	1
13	GM96056	Bolt	3
14	GM96130	Strap	1
15	GM95972	Plate	1
16	#	Screw, M6 X 10	2

Common hardware; procure locally.

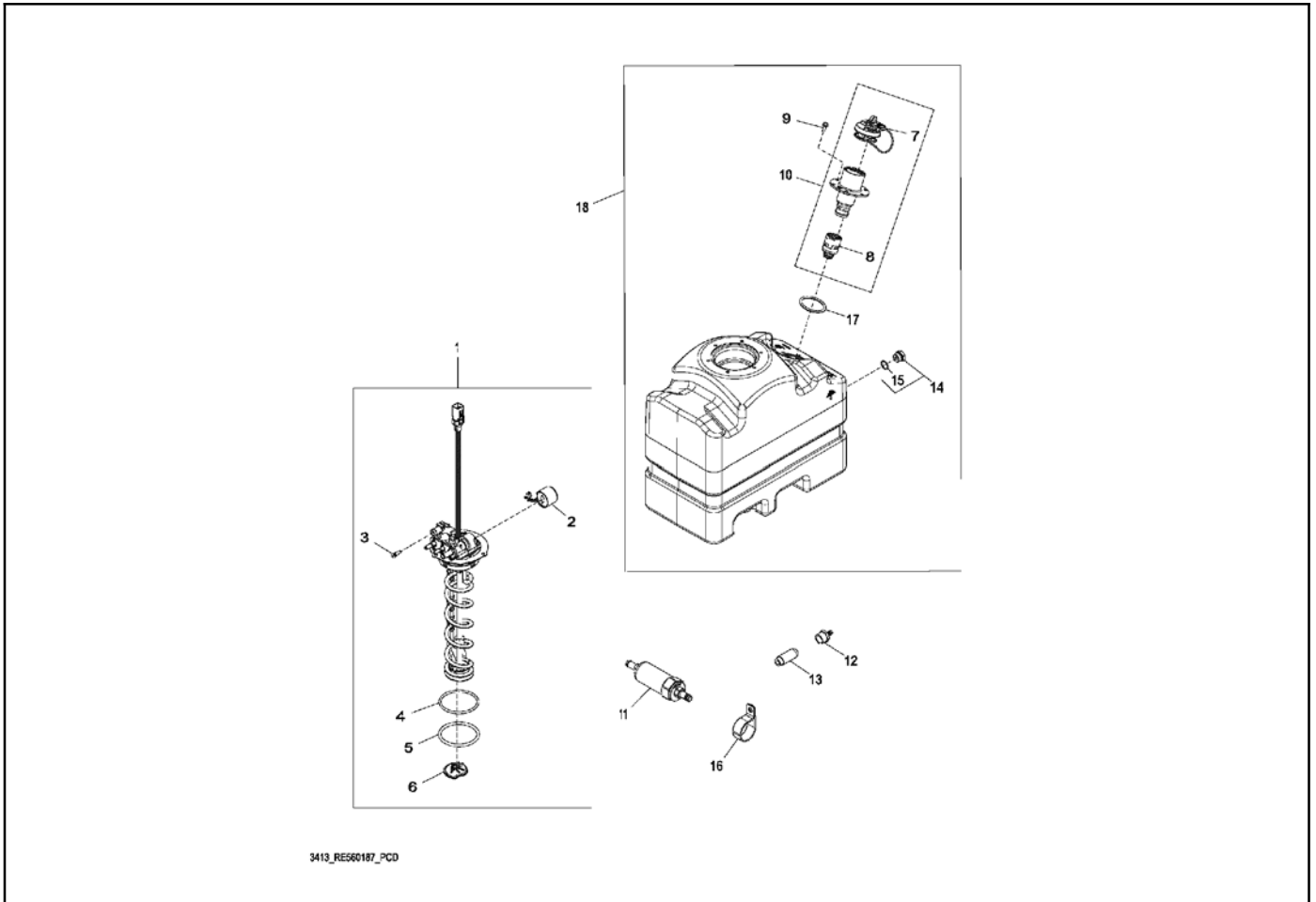
Group 33: Diesel Exhaust Filter Line



Item	Part Number	Description	Qty.
			Variation 3315
1	GM96130	Strap	1
2	GM96209	Gasket	1
3	GM96056	Bolt	3
4	GM95972	Plate	1
5	#	Screw, M6 X 10	2
6	GM100533	Pressure Sensor	1
7	GM100534	Temperature Sensor	1
8	GM100405	Chemical Sensor	2
9	GM100402	DEF Line	1
10	GM100401	DEF Line	1
11	GM96217	DEF Dosing Injector	1
12	GM100403	DEF Dosing Unit Pump	1
13	GM96156	Adapter Fitting	1
14	GM96157	Adapter Fitting	1
15	GM96155	Adapter Fitting	1
16	GM100404	Filter	1
17	GM96202	Cap	1

Common hardware; procure locally.

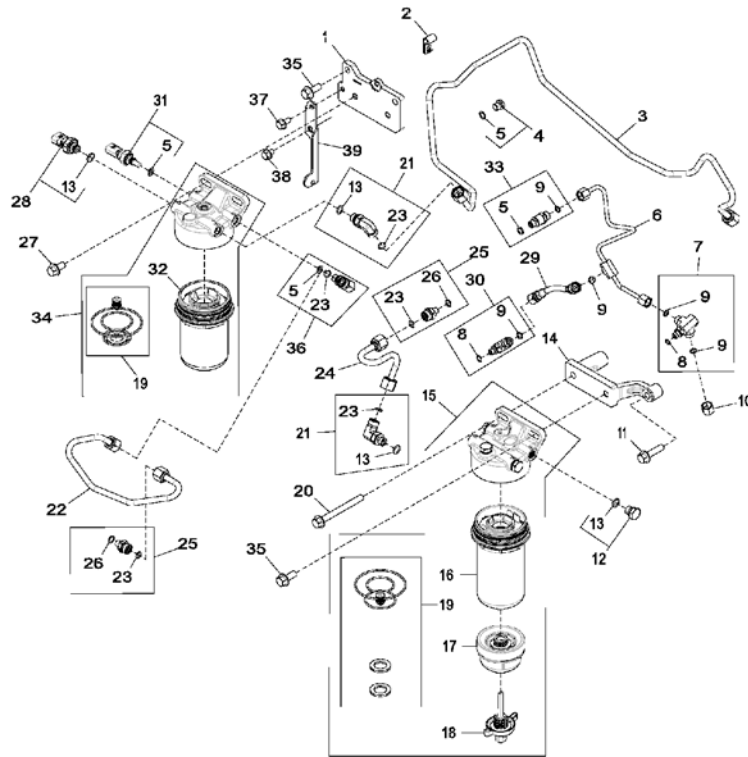
Group 34: Diesel Exhaust Filter Tank Sender



Item	Part Number	Description	Qty.
			Variation 3413
1	GM100407	DEF Tank Header Assembly	1
2	GM100408	Solenoid Valve	1
3	GM100409	Orifice Kit	1
4	GM96058	O-Ring	1
5	GM96059	O-Ring	1
6	GM100410	Filter Kit	1
7	GM100411	Filler Cap	1
8	GM100412	Strainer	1
9	#	Screw, M6 X 16	9
10	GM100413	Filler Neck	1
11	GM100414	Filter	1
12	GM95949	Fitting	1
13	GM95948	Breather	1
14	GM100415	Drain Plug	1
15	223746	O-Ring	1
16	GM100416	Clamp	1
17	GM100417	O-Ring	1
18	GM100418	DEF Tank	1

Common hardware; procure locally.

Group 35: Fuel Filter



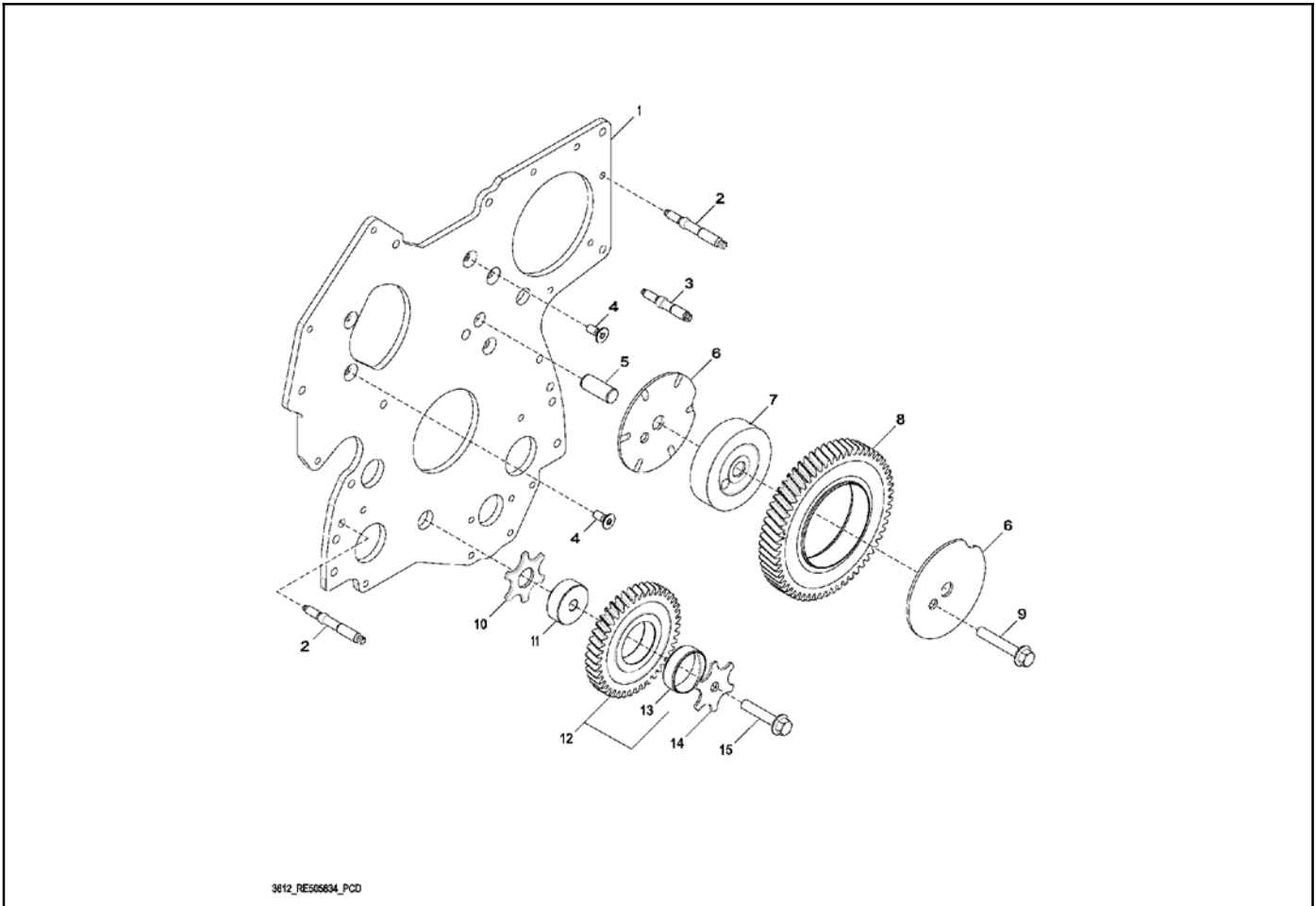
SSHR_RE551499_P0D

Group 35: Fuel Filter

Item	Part Number	Description	Qty.
			Variation 35HR
1	GM100419	Bracket	1
2	GM95939	Clip	1
3	GM100420	Fuel Line	1
4	GM100421	Fitting	1
5	GM95985	O-Ring	4
6	GM100422	Fuel Line	1
7	GM100423	Fitting	1
8	GM95890	O-Ring	2
9	GM95986	O-Ring	5
10	#	Fitting	1
11	#	Screw, M10 X 40	1
12	GM100424	Fitting Plug	4
13	GM50114	O-ring	8
14	GM100425	Bracket	1
15	GM100426	Filter Kit	1
16	GM100427	Filter Element	1
17	GM100428	Sediment Bowl	1
18	GM100429	Sensor	1
19	GM100430	Seal Kit	2
20	GM70547	Screw, M10 X 100	1
21	GM96196	Elbow Fitting	3
22	GM100431	Fuel Line	1
23	360165	O-Ring	6
24	GM100432	Fuel Line	1
25	GM100433	Fitting	2
26	GM100434	O-Ring	2
27	GM32765	Screw, M10 X 20	2
28	GM96091	Pressure Sensor	1
29	GM100435	Fuel Line	1
30	GM100436	Elbow Fitting	1
31	GM96090	Fuel Temperature Sensor	1
32	GM100437	Filter Element	1
33	GM100438	Fitting	1
34	GM100439	Filter Kit	1
35	#	Screw, M10 X 25	3
36	GM100440	Elbow Fitting	1
37	#	Screw, M8 X 16	1
38	GM50033	Cap screw	1
39	GM100441	Bracket	1

Common hardware; procure locally.

Group 36: Front Plate

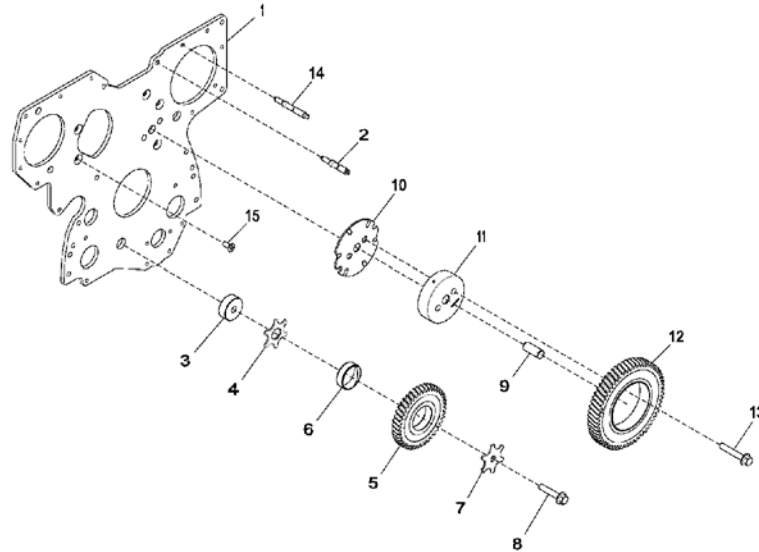


3612_RE505634_PCD

Item	Part Number	Description	Qty.
			Variation 3612
1	GM100442	Plate	1
2	GM52531	Stud, 84mm	7
3	360514	Stud	2
4	360516	Screw	5
5	GM46693	Dowel pin	1
6	GM96037	Thrust Washer	2
7	GM96036	Shaft	1
8	GM46694	Gear	1
9	#	Screw, M10 X 60	1
10	336446	Thrust Washer	1
11	360083	Shaft	1
12	360021	Gear	1
13	360082	Bushing	1
14	360148	Thrust Washer	1
15	#	Screw, M10 X 50	1

Common hardware; procure locally.

Group 36: Front Plate

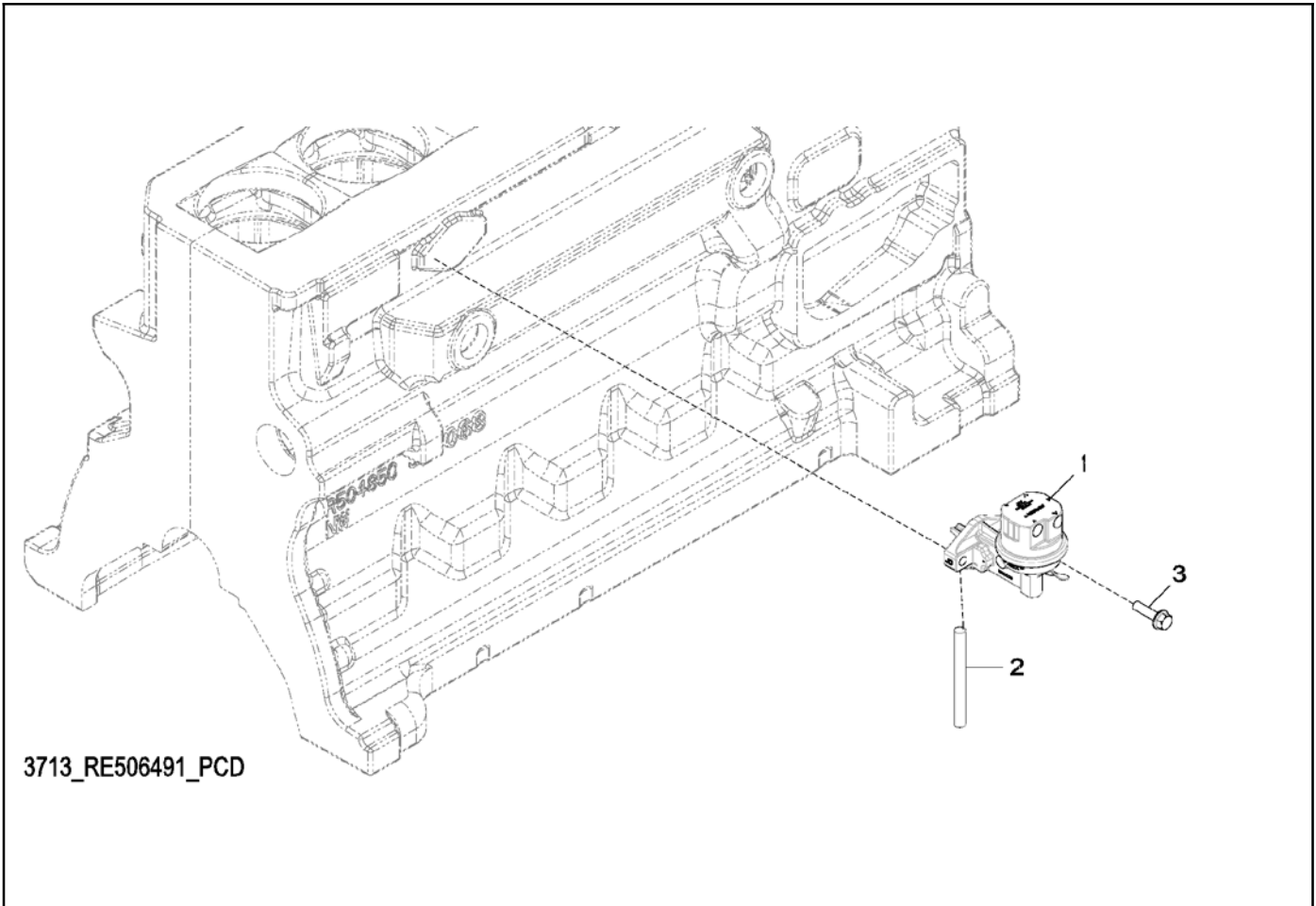


3640_RE556743_PCD

Item	Part Number	Description	Qty.
			Variation 3640
1	GM100442	Plate	1
2	360514	Stud	2
3	360083	Shaft	1
4	336446	Thrust Washer	1
5	360021	Gear	1
6	360082	Bushing	1
7	360148	Thrust Washer	1
8	#	Screw, M10 X 50	1
9	GM46693	Dowel pin	1
10	GM96037	Thrust Washer	2
11	GM96036	Shaft	1
12	GM46694	Gear	1
13	#	Screw, M10 X 60	2
14	GM52531	Stud, 84mm	7
15	360516	Screw	5

Common hardware; procure locally.

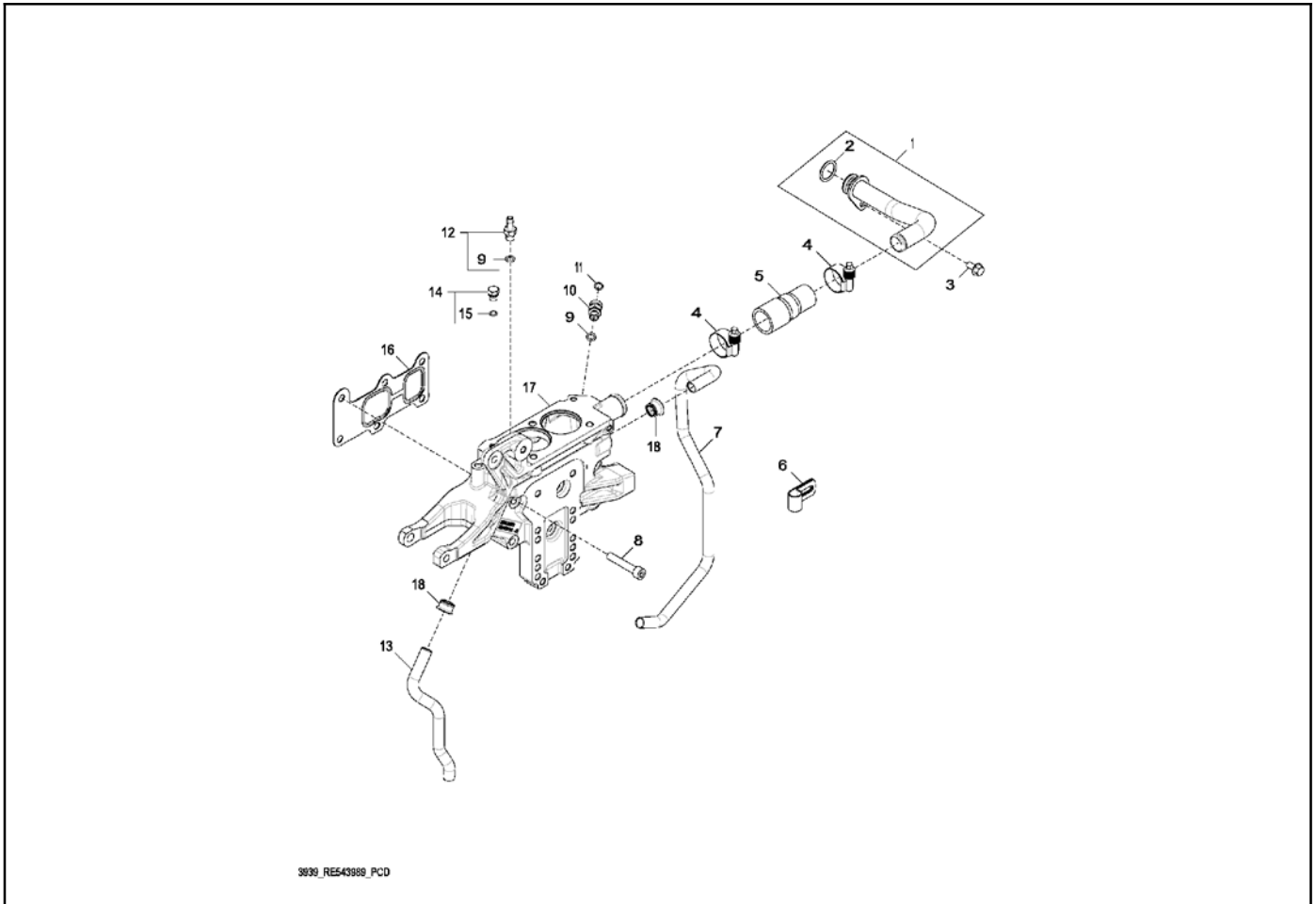
Group 37: Fuel Transfer Pump



Item	Part Number	Description	Qty.
			Variation 3713
1	GM52528	Fuel pump	1
2	360159	Push Rod	1
3	GM17525	Cap screw	2

Common hardware; procure locally.

Group 39: Thermostat Housing

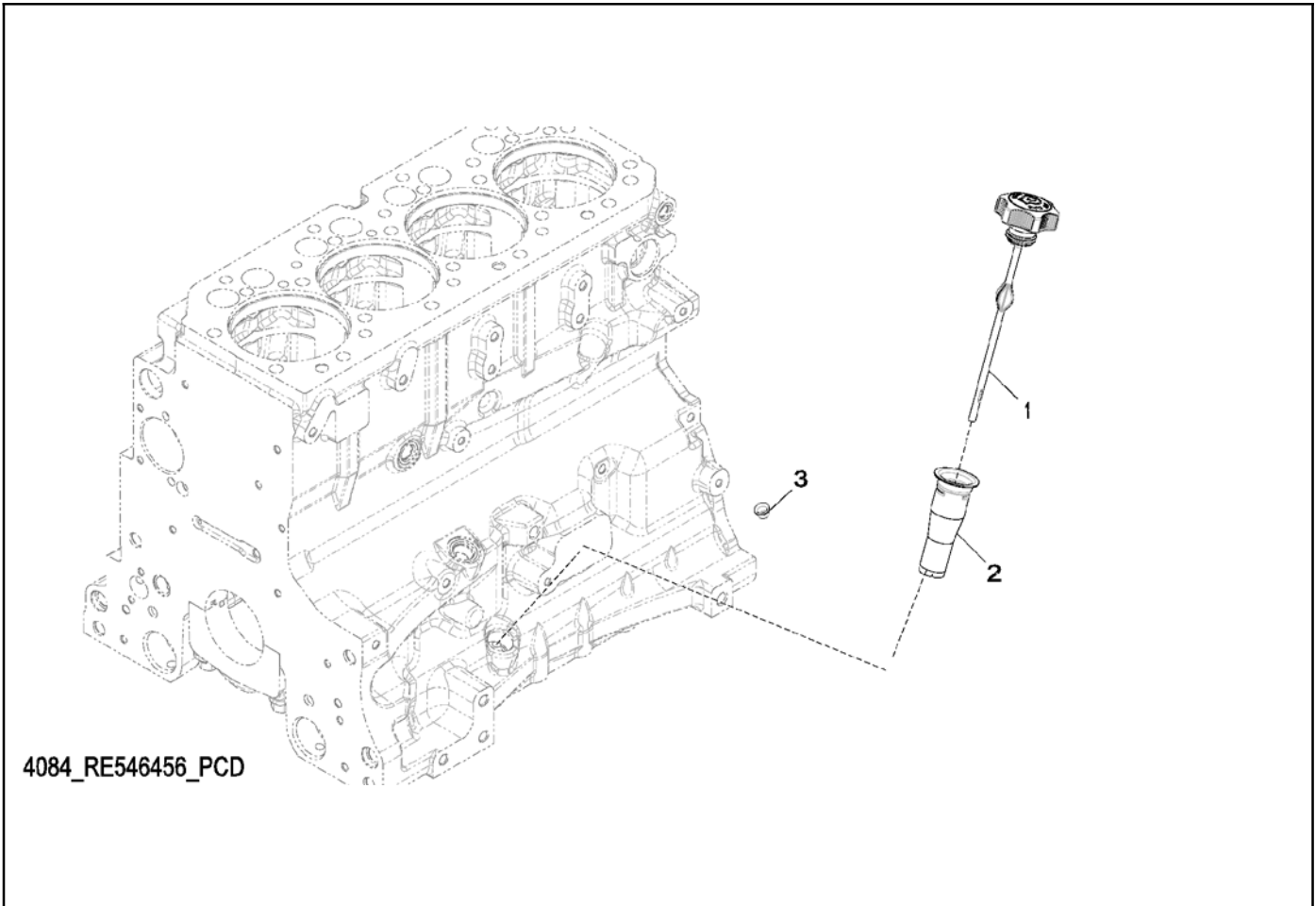


3939_RE543989_PCD

Item	Part Number	Description	Qty.
			Variation 3939
1	GM100443	Line	1
2	GM96027	O-Ring	1
3	#	Screw, M8 X 16	1
4	GM96079	Hose Clamp	2
5	GM100444	Hose	1
6	360121	Clamp	2
7	GM100445	Tube	1
8	#	Screw, M10 X 55	6
9	360178	O-Ring	2
10	GM49819	Fitting, adapter	1
11	360555	O-Ring	1
12	GM95942	Adapter Fitting	1
13	GM100446	Tube	1
14	GM24516	Fitting	1
15	GM32896	O-ring	1
16	GM100447	Gasket	1
17	GM100448	Housing	1
	GM100449	Housing	1
18	360116	Gasket, Water Bypass Tube	2

Common hardware; procure locally.

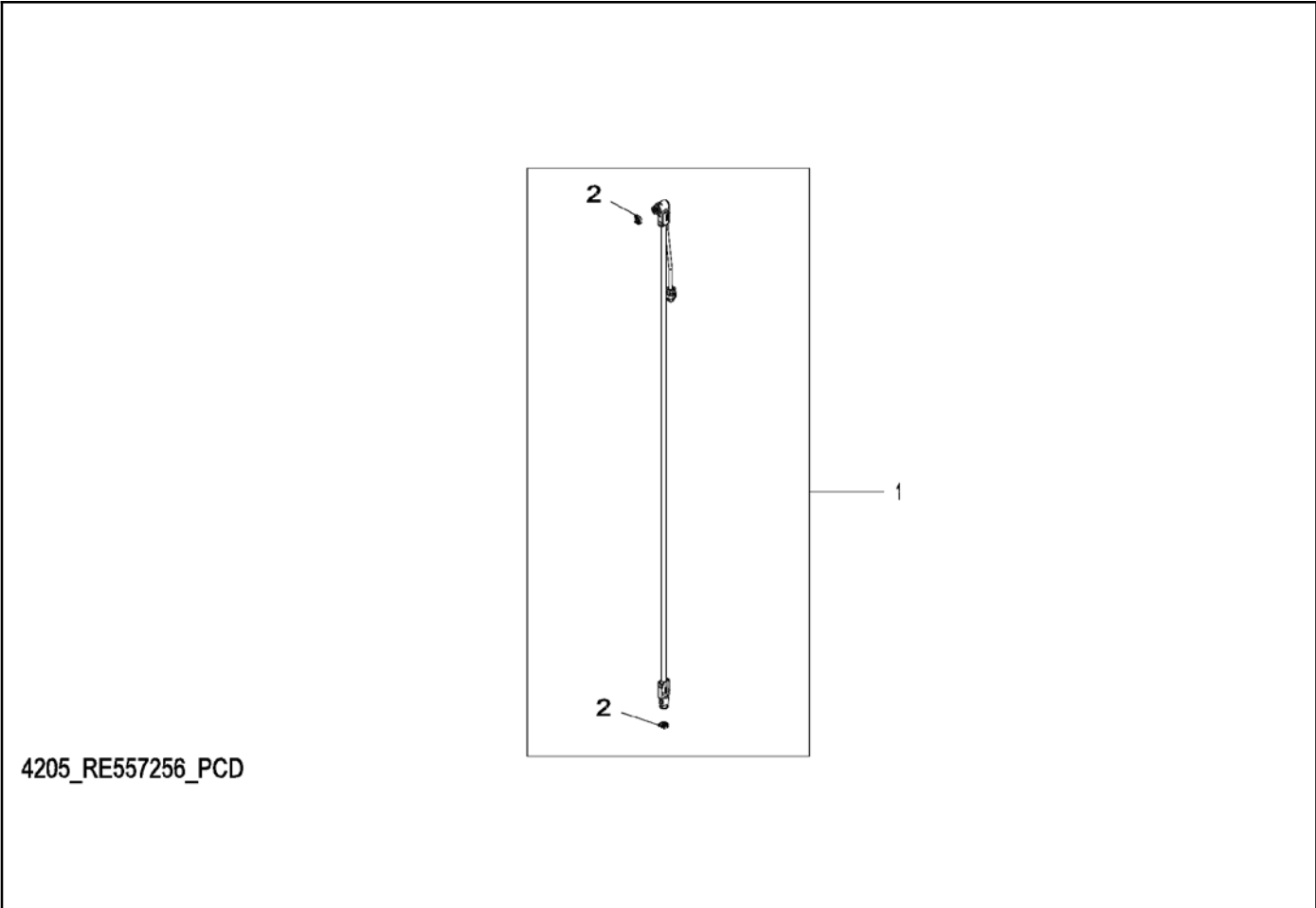
Group 40: Engine Oil Dipstick



Item	Part Number	Description	Qty.
			Variation 4084
1	GM96139	Dipstick	1
2	GM96071	Dipstick Tube	1
3	GM32789	Plug	1

Common hardware; procure locally.

Group 42: Diesel Exhaust Filter Line

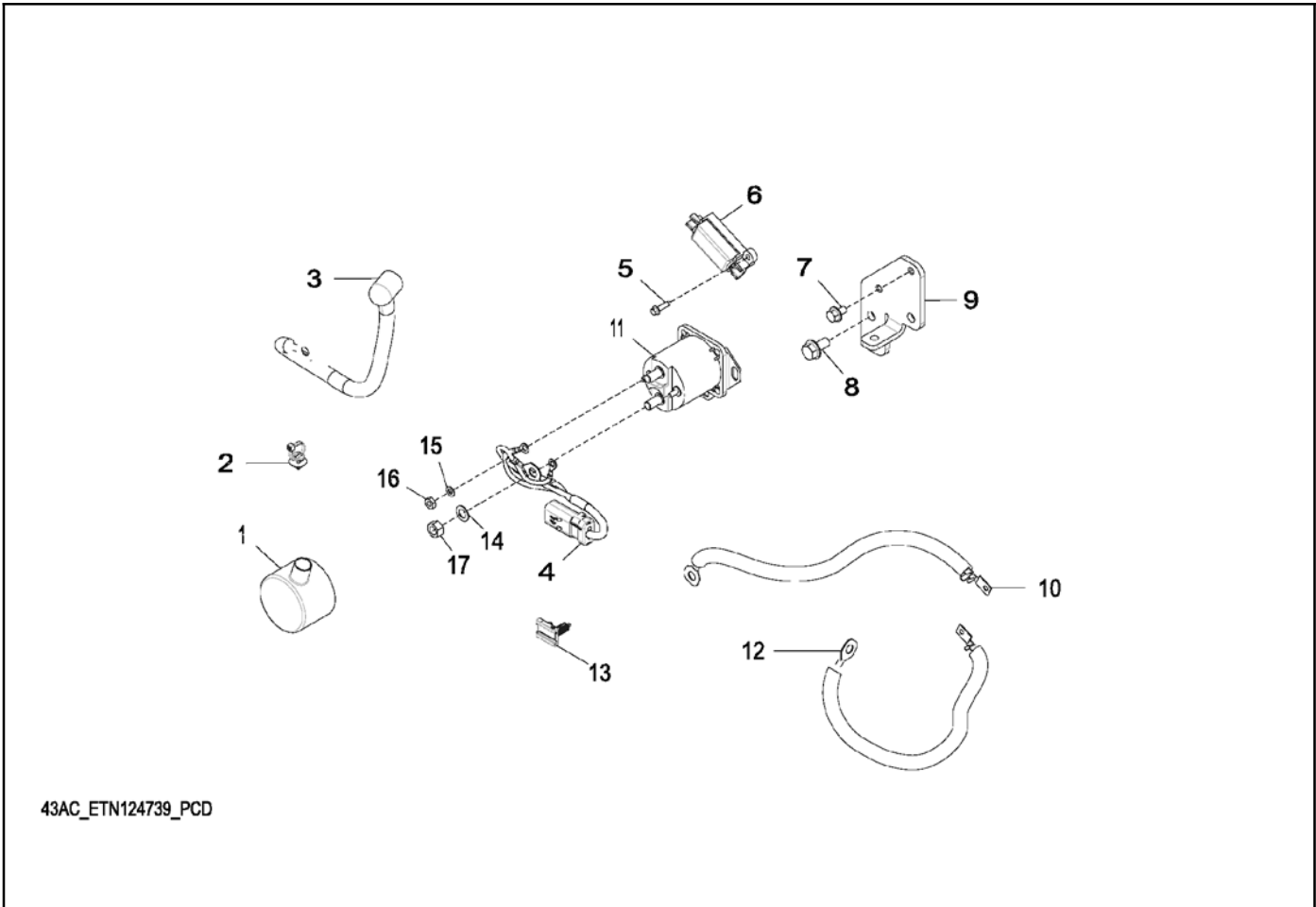


4205_RE557256_PCD

Item	Part Number	Description	Qty.
			Variation 4205
1	GM100450	DEF Line	1
2	GM100451	Clip	2

Common hardware; procure locally.

Group 43: Starting Aid

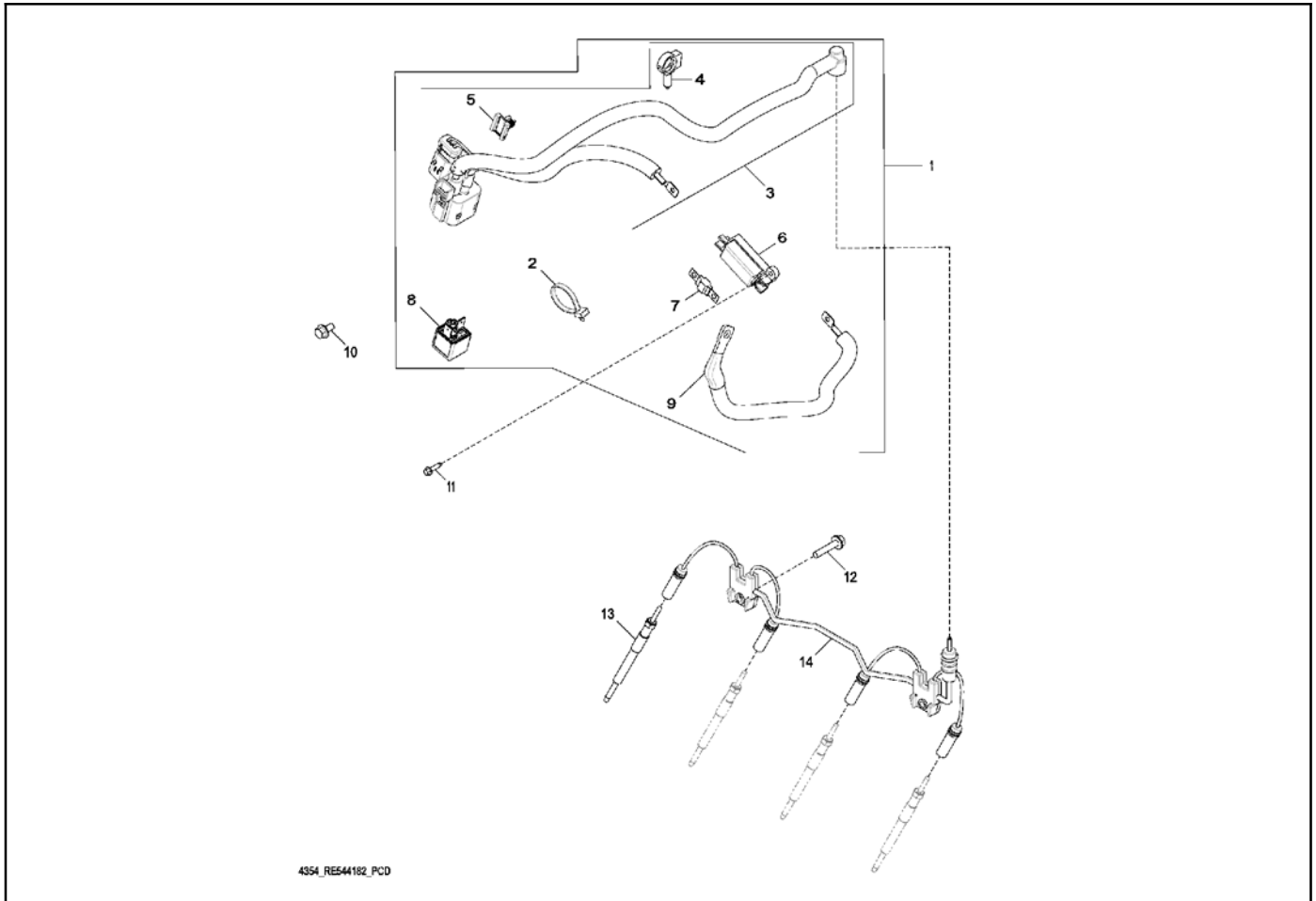


43AC_ETN124739_PCD

Item	Part Number	Description	Qty.
			Variation 43AC
1	GM100452	Boot	1
2	GM100453	Tie Band	1
3	GM100454	Wiring Harness	1
4	GM100455	Wiring Harness	1
5	#	Screw, M4 X 16	2
6	GM95940	Fuse Holder	1
7	#	Screw, M6 X 10	2
8	#	Screw, M8 X 16	2
9	GM100456	Bracket	1
10	GM100457	Wiring Harness	1
11	GM100458	Relay	1
12	GM100459	Wiring Harness	1
13	GM95935	Elec. Connector Accessory	1
14	#	Lock Washer, 8.400 mm	2
15	#	Lock Washer, 0.190"	2
16	#	Nut, 0.190"	2
17	#	Nut, 5/16"	2

Common hardware; procure locally.

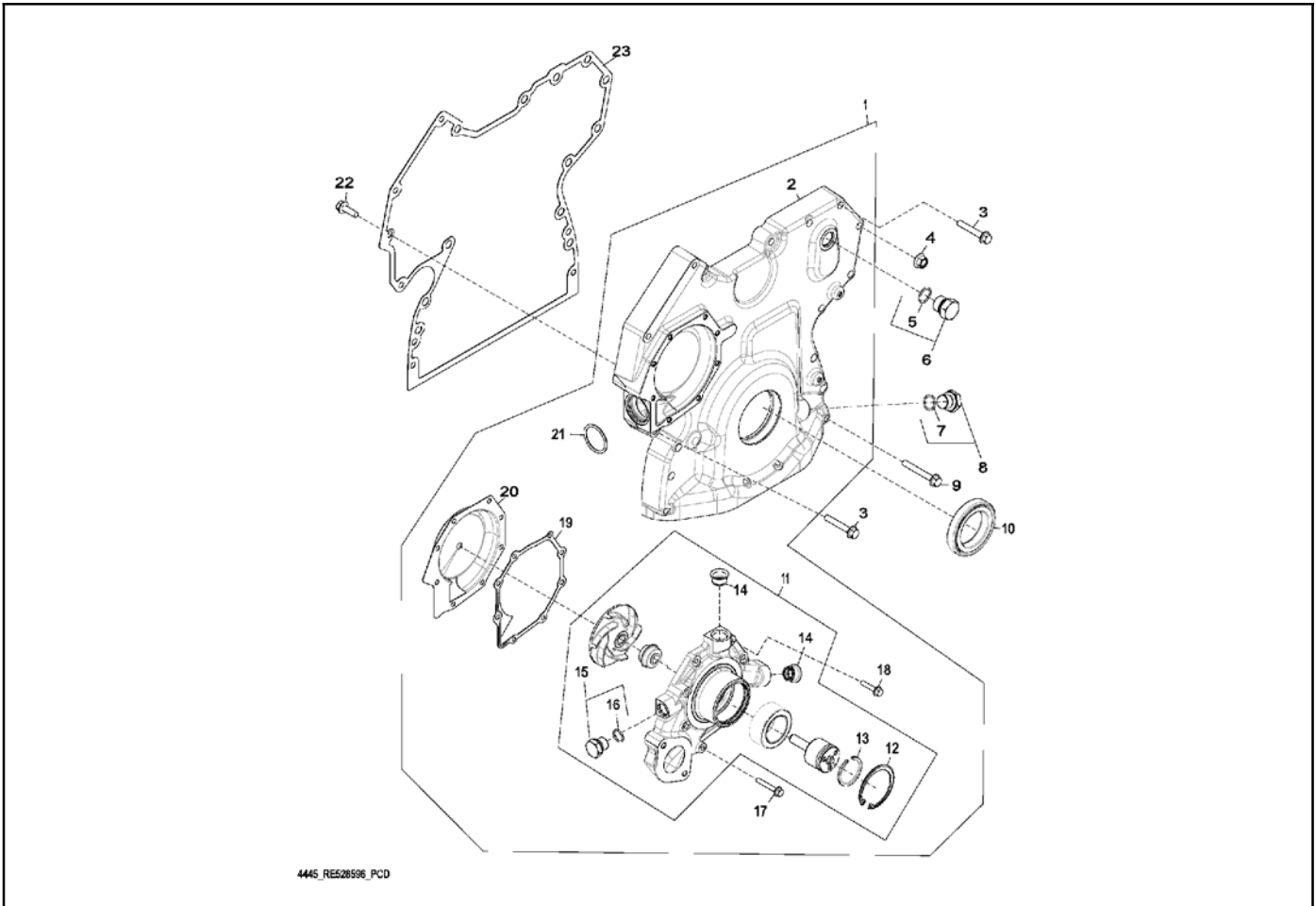
Group 43: Starting Aid



Item	Part Number	Description	Qty.
			Variation 4354
1	GM100535	Wiring Harness	1
2	GM80286	Tie Band	1
3	GM100536	Wiring Harness	1
4	GM100537	Clip	5
5	GM95935	Elec. Connector Accessory	1
6	GM95940	Fuse Holder	1
7	GM95895	Fuse	1
8	GM96053	Relay	1
	-	Relay	1
9	GM100538	Wiring Harness	1
10	GM50057	Screw	1
11	#	Screw, M4 X 16	2
12	#	Screw, M6 X 30	2
13	GM100539	Glow Plug	4
14	GM100540	Wiring Harness	1

Common hardware; procure locally.

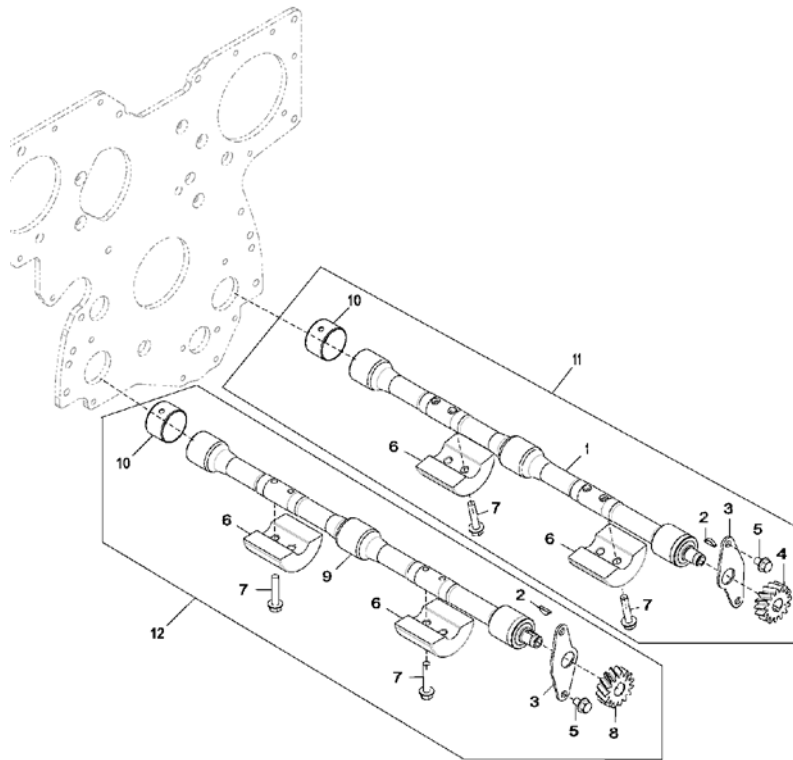
Group 44: Timing Gear Cover



Item	Part Number	Description	Qty.
			Variation 4445
1	GM100460	Cover	1
2	-	Cover	1
3	#	Screw, M8 X 50	4
4	GM30375	Flange Nut, M10	9
5	GM17437	O-ring	1
6	GM17498	Fitting	1
7	360180	O-Ring, 17.3 X 2.2 MM	1
8	360078	Plug, drain	1
9	#	Screw, M8 X 60	4
10	360181	Seal	1
11	GM100461	Water Pump	1
12	GM49931	Ring	1
13	360003	Snap Ring	1
14	360116	Gasket, Water Bypass Tube	2
15	360014	Plug	1
16	360176	O-Ring	1
17	#	Screw, M6 X 40	3
18	#	Screw, M6 X 30	5
19	360124	Gasket, Water Pump	1
20	360029	Kit, stainless steel insert	1
21	GM24543	O-ring	1
22	#	Screw, M8 X 25	1
23	GM46698	Gasket	1

Common hardware; procure locally.

Group 45: Balancer Shaft

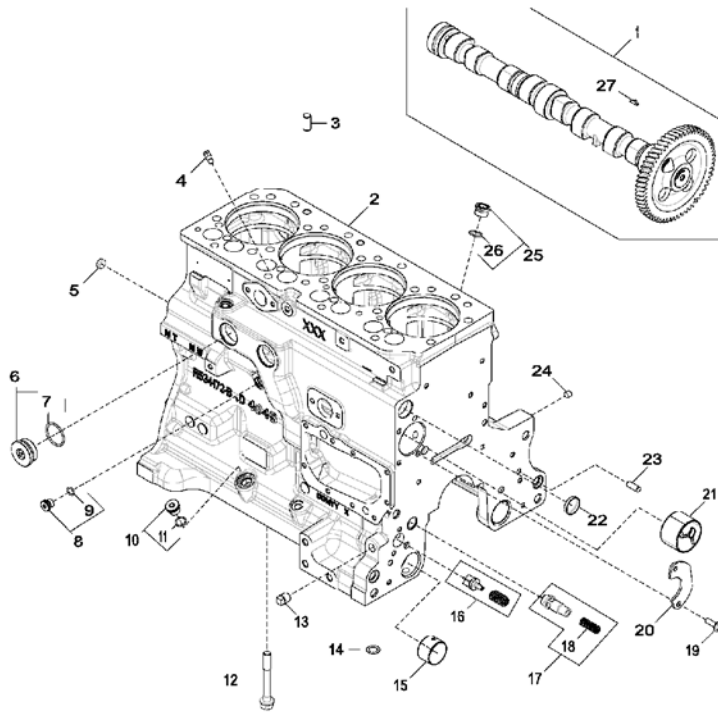


4501_RE501254_PCD

Item	Part Number	Description	Qty.
			Variation 4501
1	-	Balancer Shaft	1
2	360158	Key, Shaft	1
3	360547	Plate	1
4	360100	Gear, 30 Teeth	1
5	#	Screw, M8 X 12	4
6	GM50636	Weight	4
7	#	Screw, M8 X 40	8
8	360549	Gear, 15 Teeth	1
9	-	Balancer Shaft	1
10	-	Cylinder Block	2
10	360519	Bushing	2
11	GM50635	Balancer shaft, lh	1
12	GM50634	Balancer shaft, rh	1

Common hardware; procure locally.

Group 46: Cylinder Block

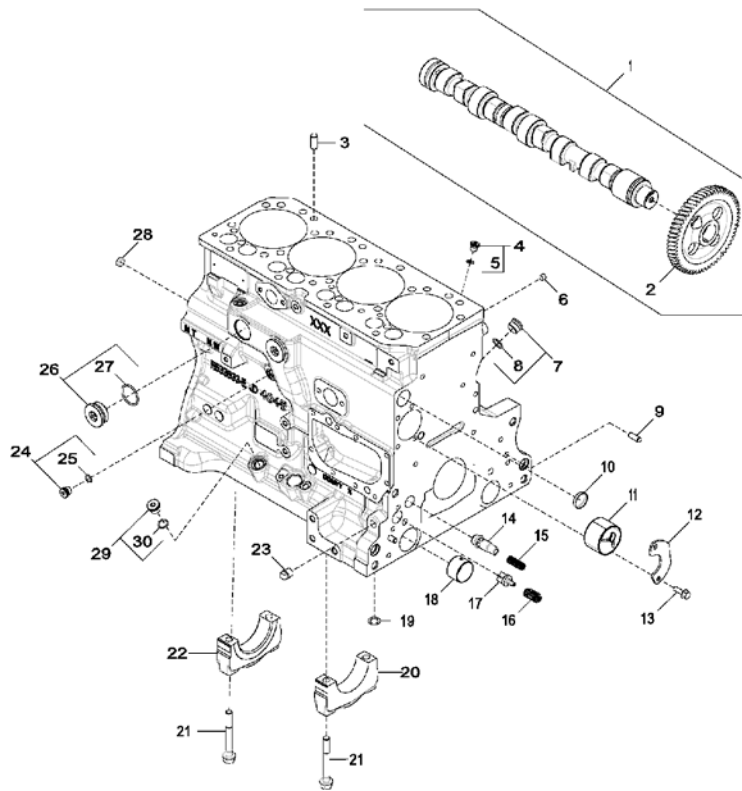


46AA_RE552501_PCD

Item	Part Number	Description	Qty.
			Variation 46AA
1	GM100462	Camshaft	1
2	-	Cylinder Block	1
3	223472	Dowel Pin	4
4	360146	Jet	4
5	360517	Cap	2
6	GM32824	Plug	2
7	223988	O-Ring	1
8	GM96101	Fitting	3
9	GM21508	O-ring	1
10	GM96102	Fitting	2
11	360176	O-Ring	1
12	GM100463	Cap Screw	10
13	#	Pipe Plug, 3/8"	1
14	336458	O-Ring	1
15	360519	Bushing	6
16	GM21420	Valve kit	1
17	GM32810	Valve	1
18	GM17452	Compression spring	1
19	#	Screw, M8 X 25	2
20	360154	Plate, Thrust	1
21	352246	Bushing	1
22	360093	Plug	1
23	352064	Dowel Pin	2
24	GM18873	Pipe plug	5
25	GM88720	Fitting Plug	1
26	GM17437	O-ring	1
27	360158	Key, Shaft	1

Common hardware; procure locally.

Group 46: Cylinder Block



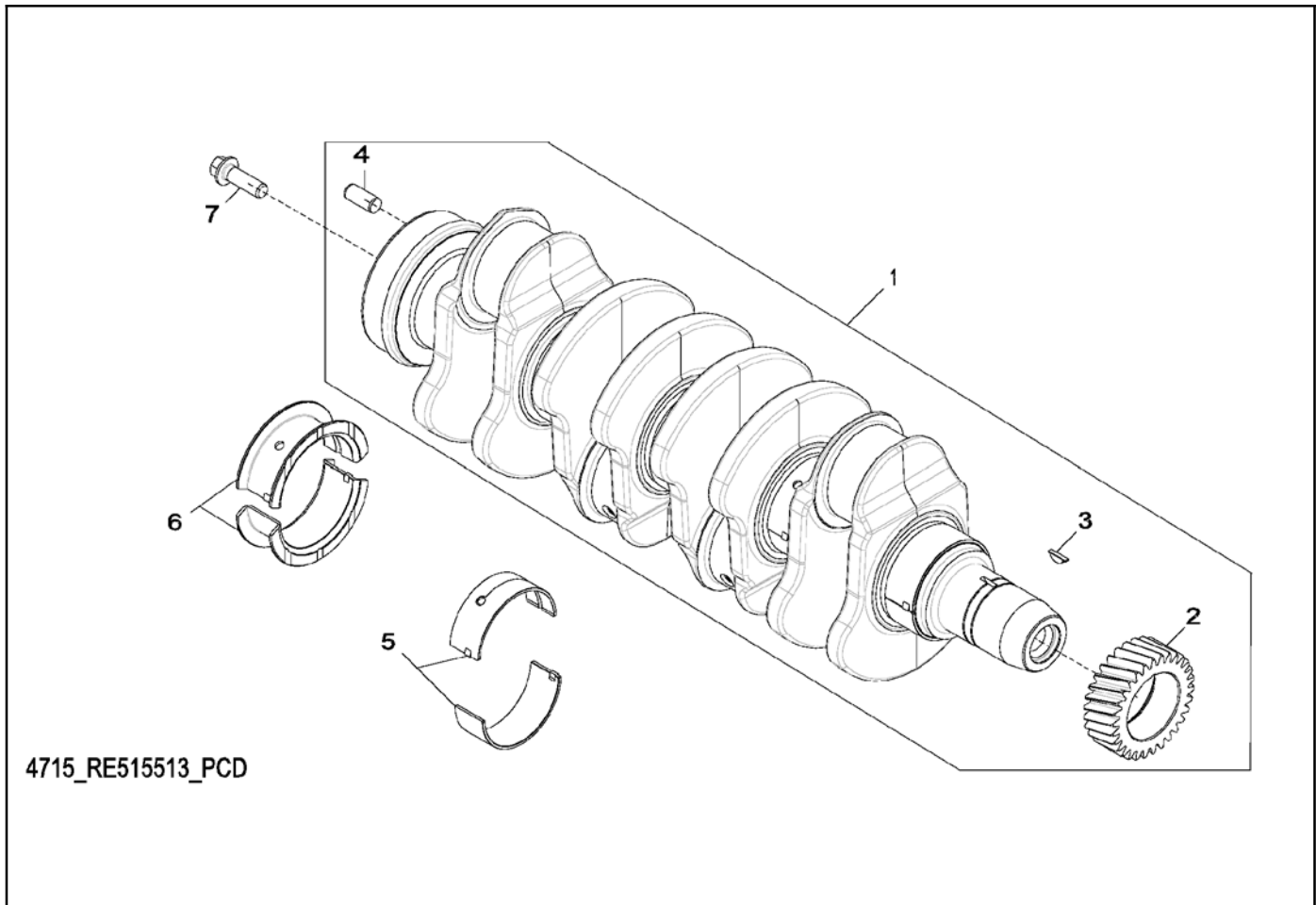
46AC_RE5526/3_P0D

Group 46: Cylinder Block

Item	Part Number	Description	Qty.
			Variation 46AC
1	GM100541	Camshaft	1
2	-	Gear	1
3	GM95938	Dowel Pin	4
3	GM49822	Pin, dowel	4
4	GM96100	Fitting	1
5	360178	O-Ring	1
6	GM18873	Pipe plug	5
7	GM88720	Fitting Plug	3
8	GM17437	O-ring	1
9	GM95943	Dowel Pin	2
9	GM49823	Pin, dowel	2
10	360093	Plug	1
11	352246	Bushing	1
12	360154	Plate, Thrust	1
13	#	Screw, M8 X 25	2
14	GM32810	Valve	1
15	GM17452	Compression spring	1
16	360080	Spring	1
17	360103	Valve, Engine Oil Bypass	1
18	360519	Bushing	6
19	336458	O-Ring	1
20	GM100542	Bearing Cap	4
21	GM100463	Cap Screw	10
22	GM100543	Bearing Cap	1
23	#	Pipe Plug, 3/8"	1
24	GM96101	Fitting	4
25	GM21508	O-ring	1
26	GM32824	Plug	2
27	223988	O-Ring	1
28	360517	Cap	2
29	GM96102	Fitting	3
30	360176	O-Ring	1

Common hardware; procure locally.

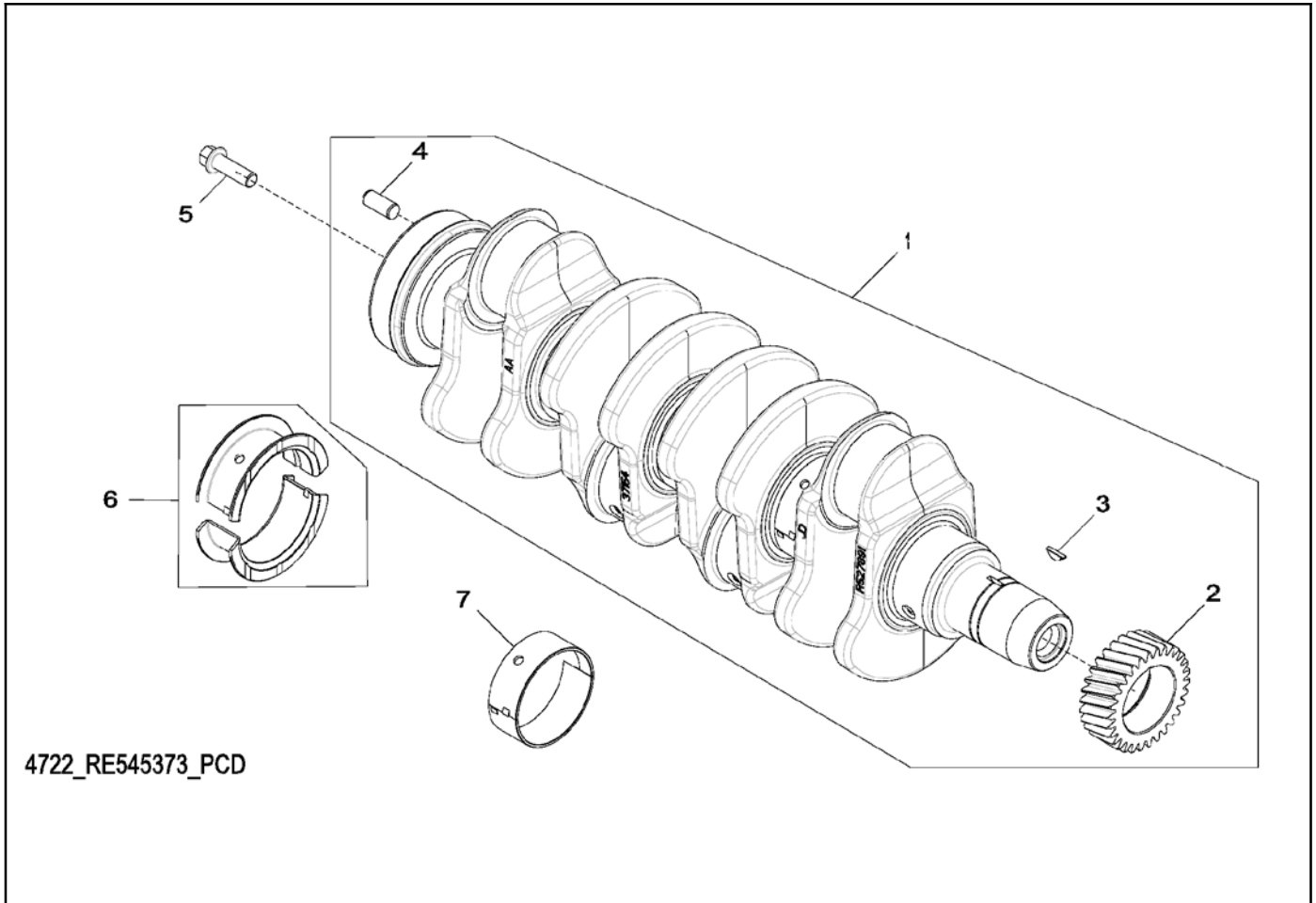
Group 47: Crankshaft and Bearings



Item	Part Number	Description	Qty.
			Variation 4715
1	GM32811	Crankshaft	1
2	360099	Gear (30 Teeth)	1
3	GM50610	Shaft key	1
4	GM95938	Dowel Pin	1
4	GM49822	Pin, dowel	1
5	360049	Bearing, Standard	4
6	360050	Bearing, Standard	1
7	360581	Bolt	4

Common hardware; procure locally.

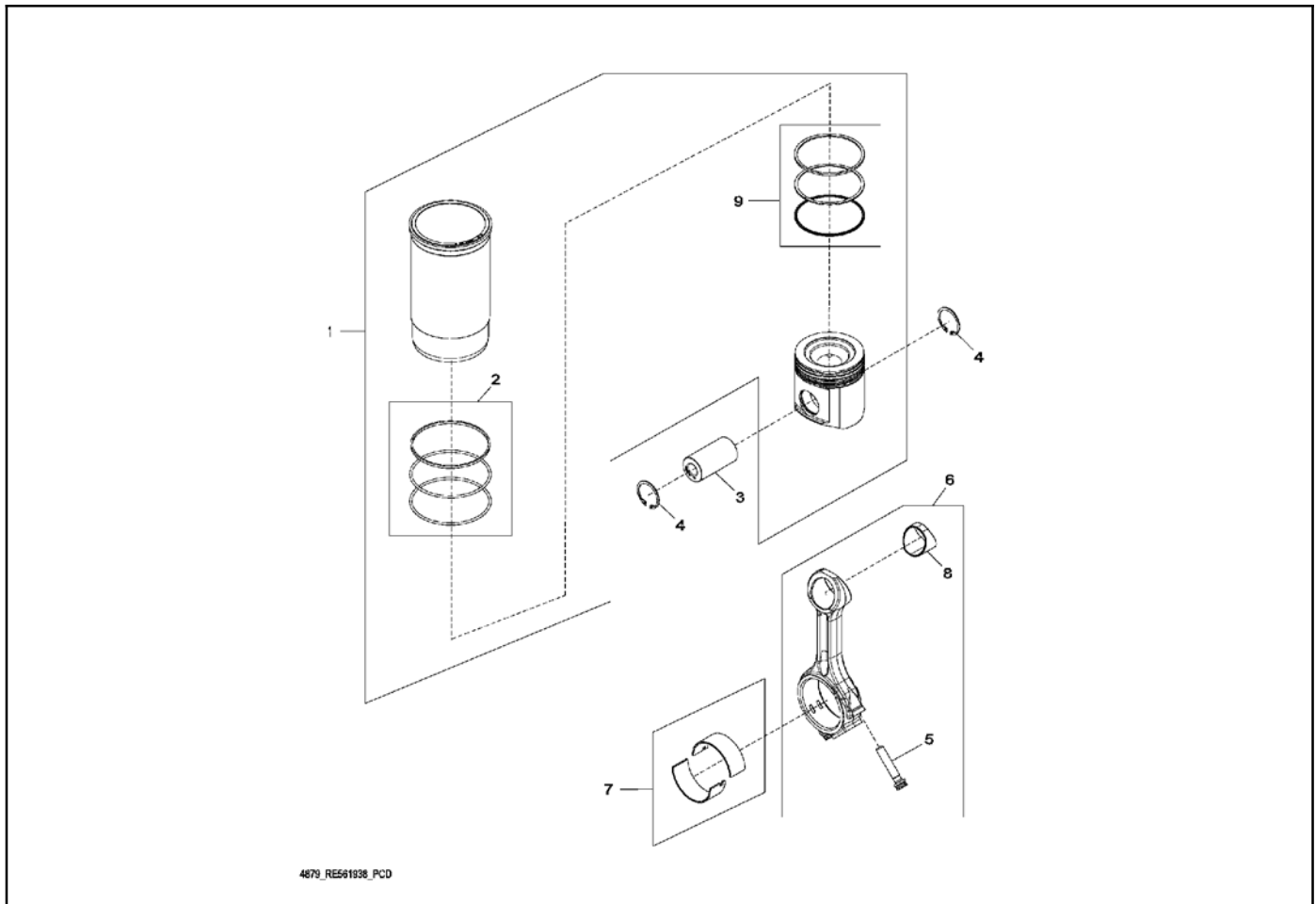
Group 47: Crankshaft and Bearings



Item	Part Number	Description	Qty.
			Variation 4722
1	GM88731	Crankshaft	1
2	360099	GEAR (30 Teeth)	1
3	GM50610	Shaft key	1
4	223472	Dowel Pin	1
5	360581	Bolt	6
6	360050	Bearing, Standard	1
7	360049	Bearing, Standard	4

Common hardware; procure locally.

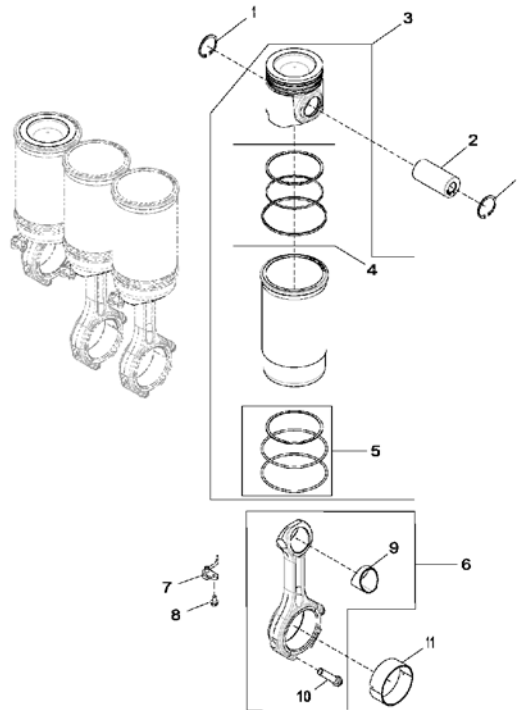
Group 48: Piston Connecting Rod and Cylinder Liner



Item	Part Number	Description	Qty.
			Variation 4879
1	GM100464	Piston-Liner Kit	4
2	223419	O-Ring Kit	4
3	GM46667	Piston pin	4
4	223479	Snap Ring	8
5	GM17477	Screw	2
6	GM17610	Connecting rod	4
7	360053	Bearing, Standard	4
8	GM17446	Bushing	1
9	GM100465	Piston Ring Kit	4

Common hardware; procure locally.

Group 48: Piston Connecting Rod and Cylinder Liner

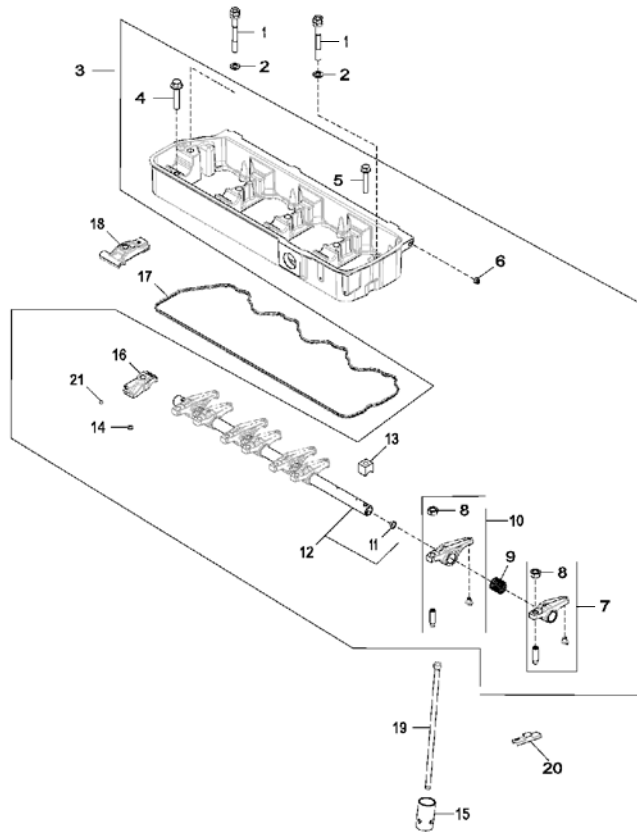


4898_RE554707_PCD

Item	Part Number	Description	Qty.
			Variation 4868
1	223479	Ring, snap	8
2	GM95983	Piston Pin	4
3	GM100622	Piston-Liner Kit	4
4	GM100623	Piston Ring Kit	4
5	GM100624	Piston Ring Kit	4
6	GM17610	Connecting Rod	4
7	GM100625	Nozzle	4
8	GM96000	Cap Screw	4
9	GM17446	Bushing	4
10	GM17477	Screw	4
11	360053	Bearing, standard	4

Common hardware; procure locally.

Group 49: Valve Actuating Mechanism

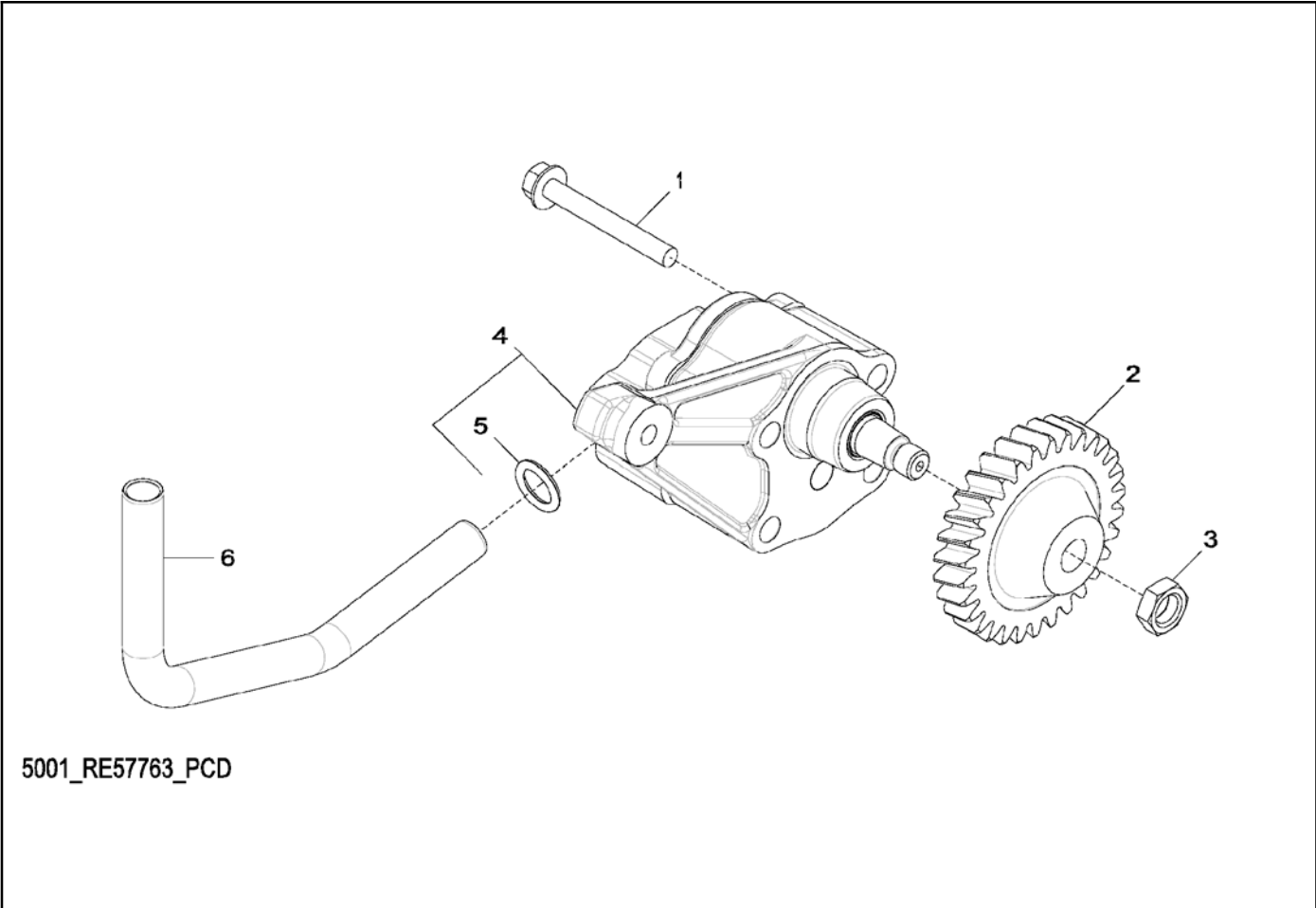


4914_RE539150_PCD

Item	Part Number	Description	Qty.
			Variation 4914
1	GM49902	Screw	5
2	#	Washer, 10.500 X 18 X 1.600 mm	2
3	GM100466	Rocker Arm Shaft	1
4	#	Screw, M10 X 50	1
5	GM100467	Screw	1
6	GM80351	Plug	2
7	GM50007	Rocker arm	4
8	#	Nut, M10	2
9	GM46611	Spring	4
10	GM46609	Rocker arm, exhaust valve	4
11	GM49818	Plug	2
12	GM88723	Rocker Arm Shaft	1
13	GM46604	Clamp	1
14	GM49886	O-ring	1
15	GM100468	Cam Follower	8
16	GM50008	Cap	1
17	GM100469	Gasket	1
18	GM100470	Strap	3
19	GM100471	Push Rod	8
20	GM100472	Valve Bridge	8
21	GM49930	Ball	1

Common hardware; procure locally.

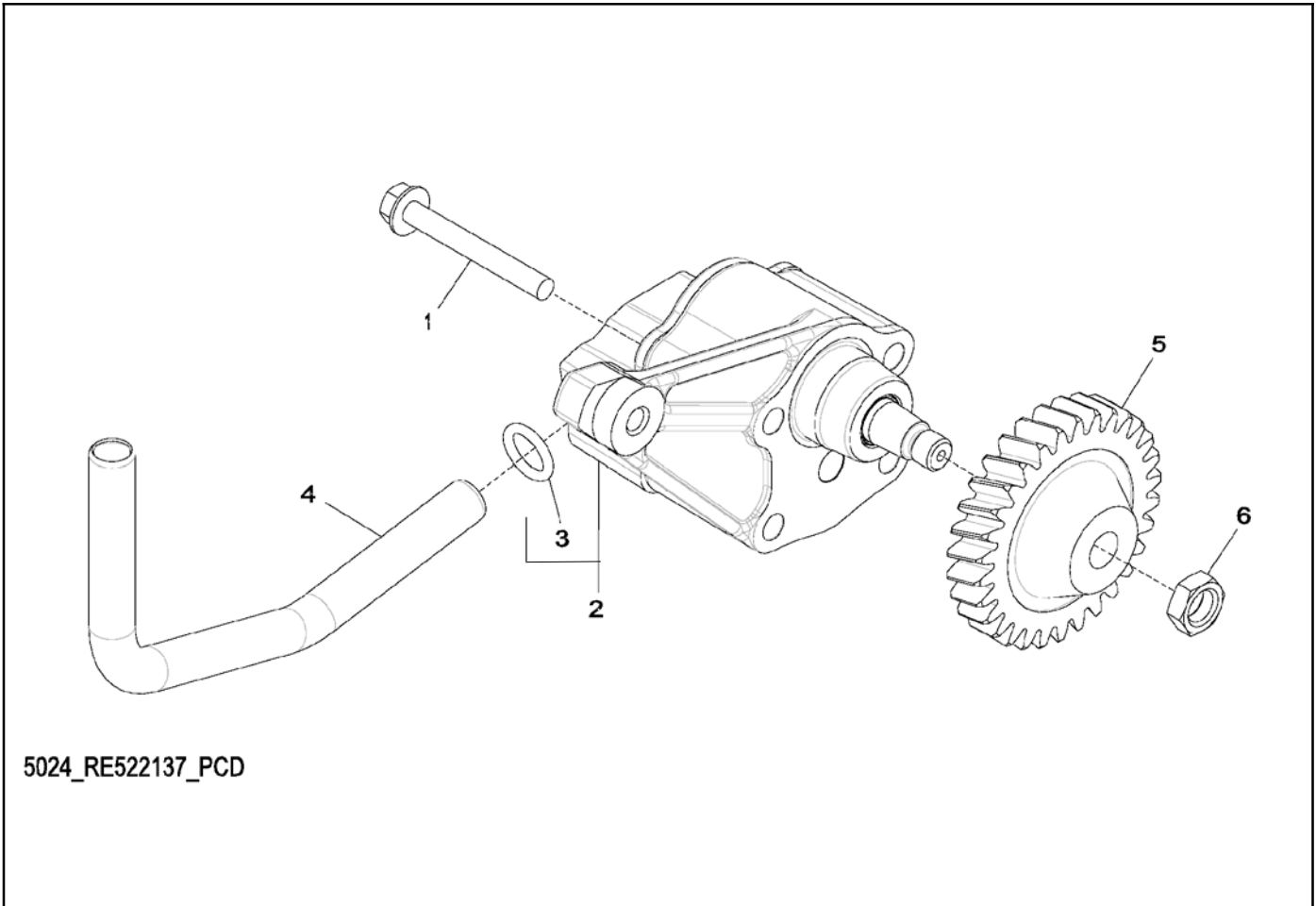
Group 50: Oil Pump



Item	Part Number	Description	Qty.
			Variation 5001
1	#	Screw, M8 X 65	2
2	360524	Gear, 30 Teeth	1
3	#	Nut, M12	1
4	360028	Pump, oil	1
5	336458	O-Ring	1
6	360104	Tube	1

Common hardware; procure locally.

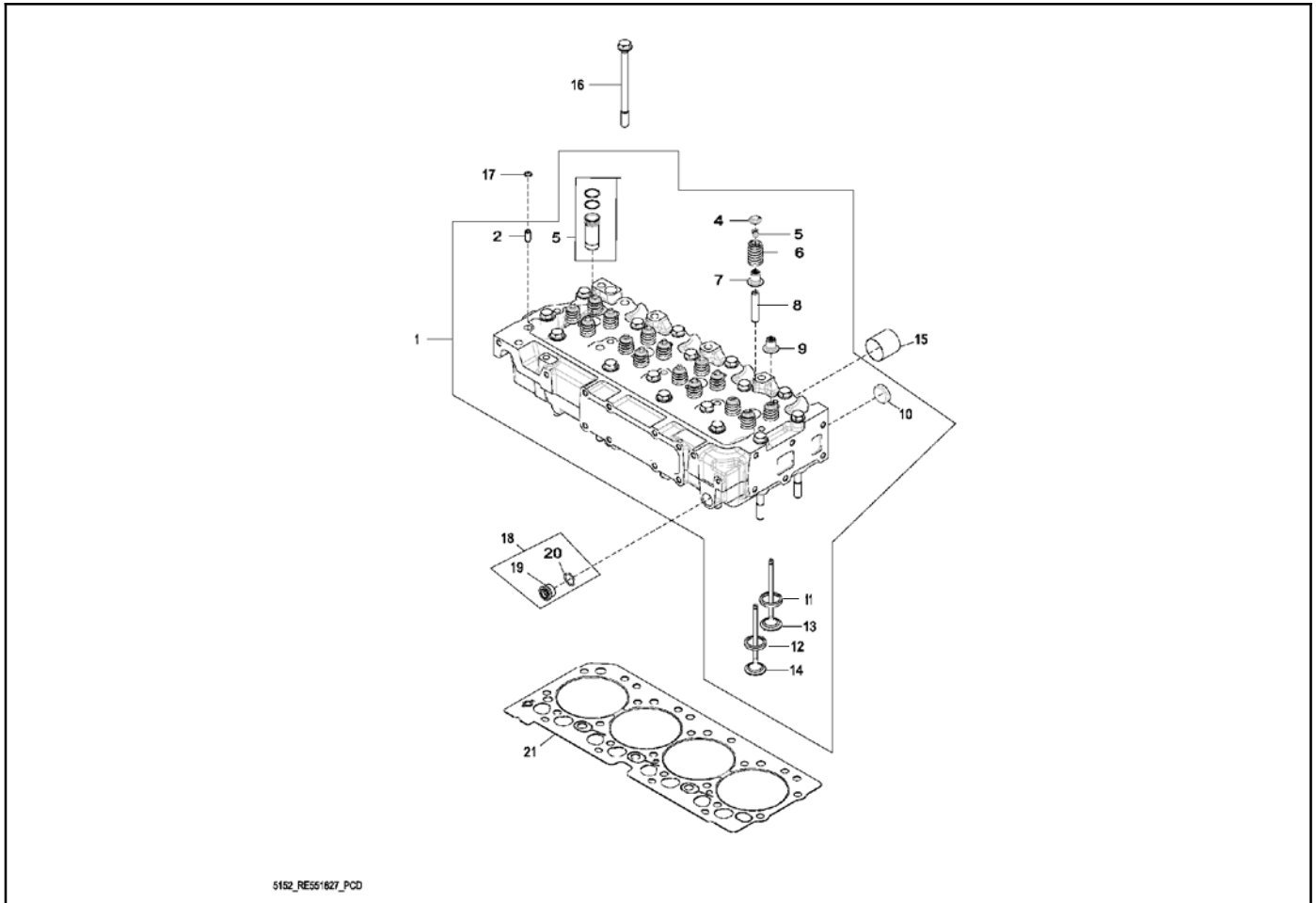
Group 50: Oil Pump



Item	Part Number	Description	Qty.
			Variation 5024
1	#	Screw, M8 X 65	2
2	GM49994	Oil pump	1
3	336458	O-Ring	1
4	GM91950	Oil Tube	1
5	360524	Gear, 30 Teeth	1
6	#	Nut, M12	1

Common hardware; procure locally.

Group 51: Cylinder Head

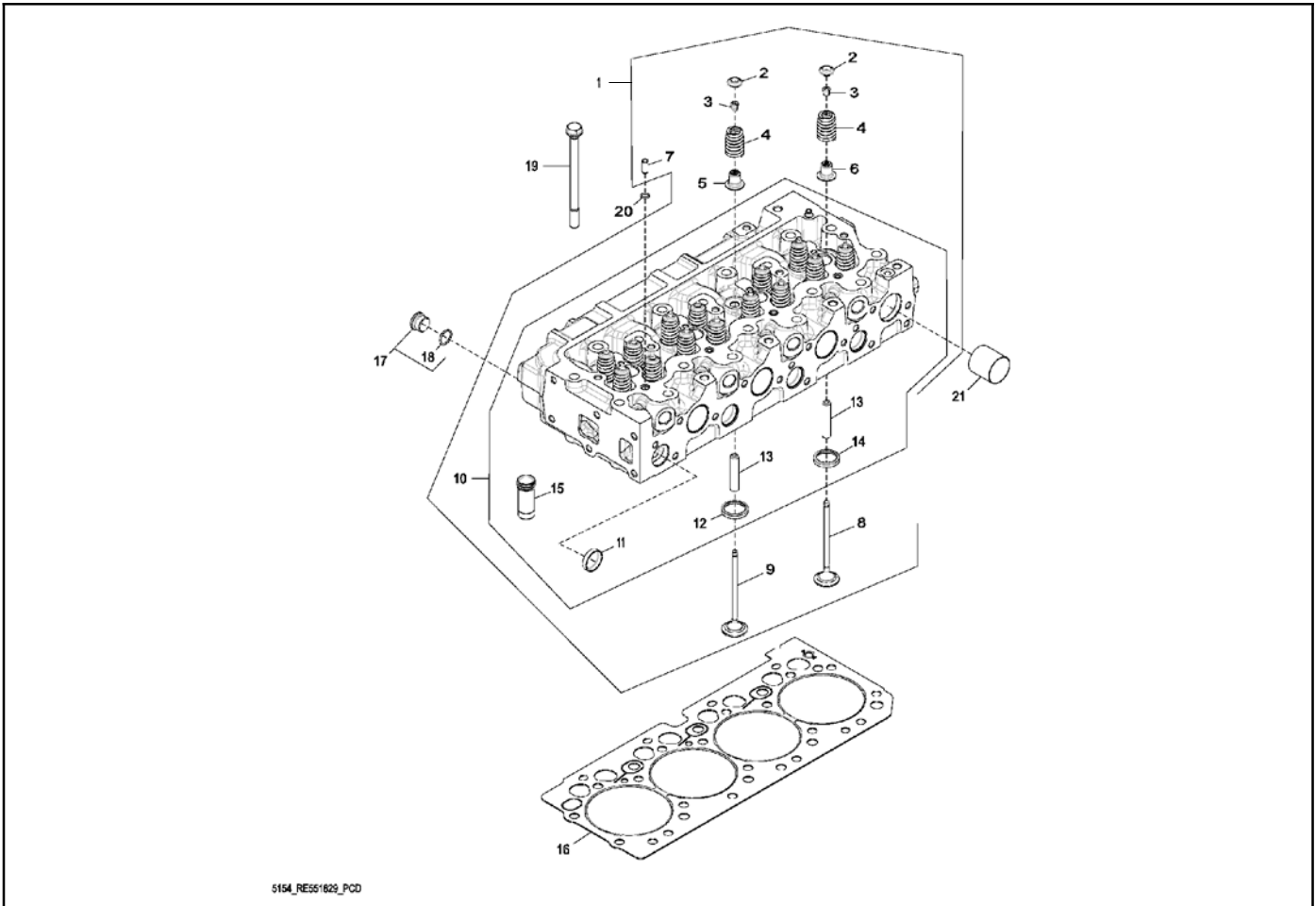


5152_RE551627_PCD

Item	Part Number	Description	Qty.
			Variation 5152
1	GM100473	Cylinder Head	1
2	GM95971	Bushing	2
3	GM46683	Sleeve (not shown)	4
4	GM46673	Cap	16
5	GM88786	Retainer	32
6	GM96039	Spring	16
7	GM96124	Seal	8
8	GM96054	Guide	16
9	GM96082	Seal	8
10	223448	CAP	5
11	GM100474	Valve Seat Insert	8
12	GM100475	Valve Seat Insert	8
13	GM100476	Intake Valve	8
14	GM100477	Exhaust Valve	8
15	GM46676	Sleeve	4
16	GM96043	Screw	18
17	360165	O-Ring	5
18	GM88720	Fitting Plug	1
19	GM17447	Fitting	1
20	GM17437	O-ring	1
21	GM100478	Engine Cylinder Head Gasket	1

Common hardware; procure locally.

Group 51: Cylinder Head

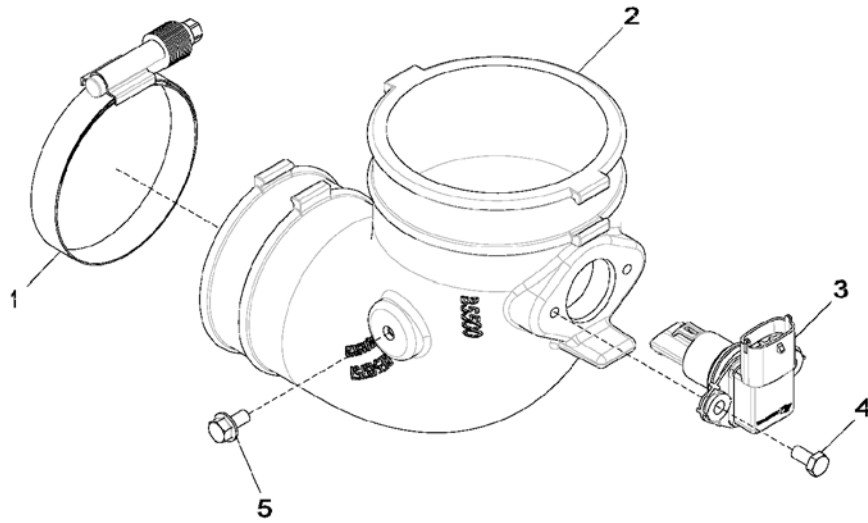


5154_RE551625_PCD

Item	Part Number	Description	Qty.
			Variation 5154
1	GM100602	Cylinder Head	1
2	GM46673	Cap	16
3	GM88786	Retainer	32
4	GM96039	Spring	16
5	GM96082	Seal	8
6	GM96124	Seal	8
7	GM95971	Bushing	2
8	GM100477	Exhaust Valve	8
9	GM100476	Intake Valve	8
10	GM100603	Cylinder Head	1
11	223448	CAP	5
12	GM95960	Valve Seat Insert	8
12	GM46677	Valve seat insert	8
13	GM96054	Guide	16
14	GM46678	Valve seat insert	8
14	GM95959	Valve Seat Insert	8
15	GM46683	Sleeve	4
16	GM100478	Engine Cylinder Head Gasket	1
17	GM88720	Fitting Plug	1
18	GM17437	O-ring	1
19	GM96043	Screw	18
20	360165	O-Ring	5
21	GM46676	Sleeve	4

Common hardware; procure locally.

Group 54: Air Intake Turbo

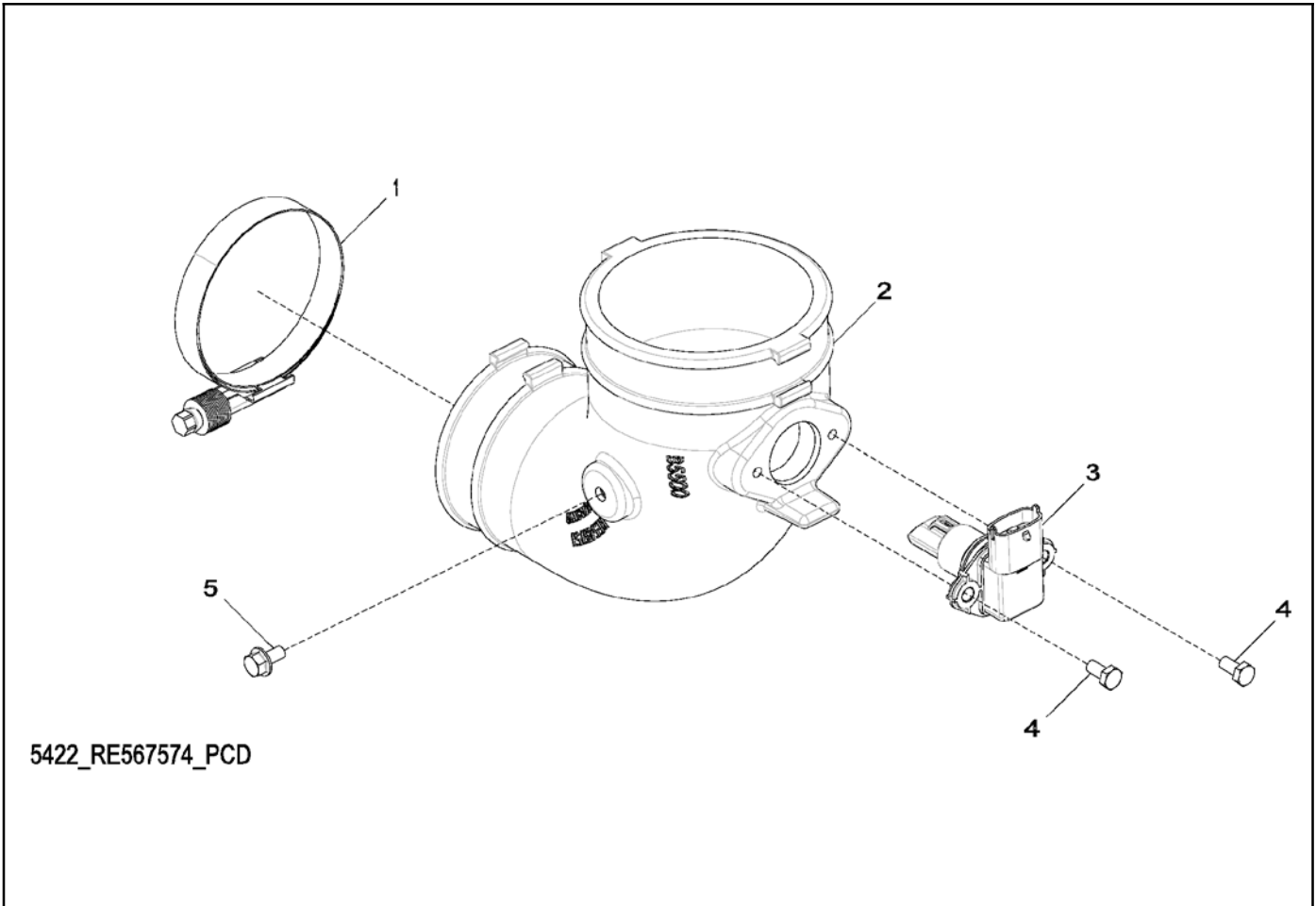


5415_RE543395_PCD

Item	Part Number	Description	Qty.
			Variation 5415
1	GM18851	Clamp	1
2	GM100479	Hose	1
3	GM96147	Sensor	1
4	#	Cap Screw, M6 X 12	2
5	#	Screw, M6 X 12	1

Common hardware; procure locally.

Group 54: Air Intake Turbo

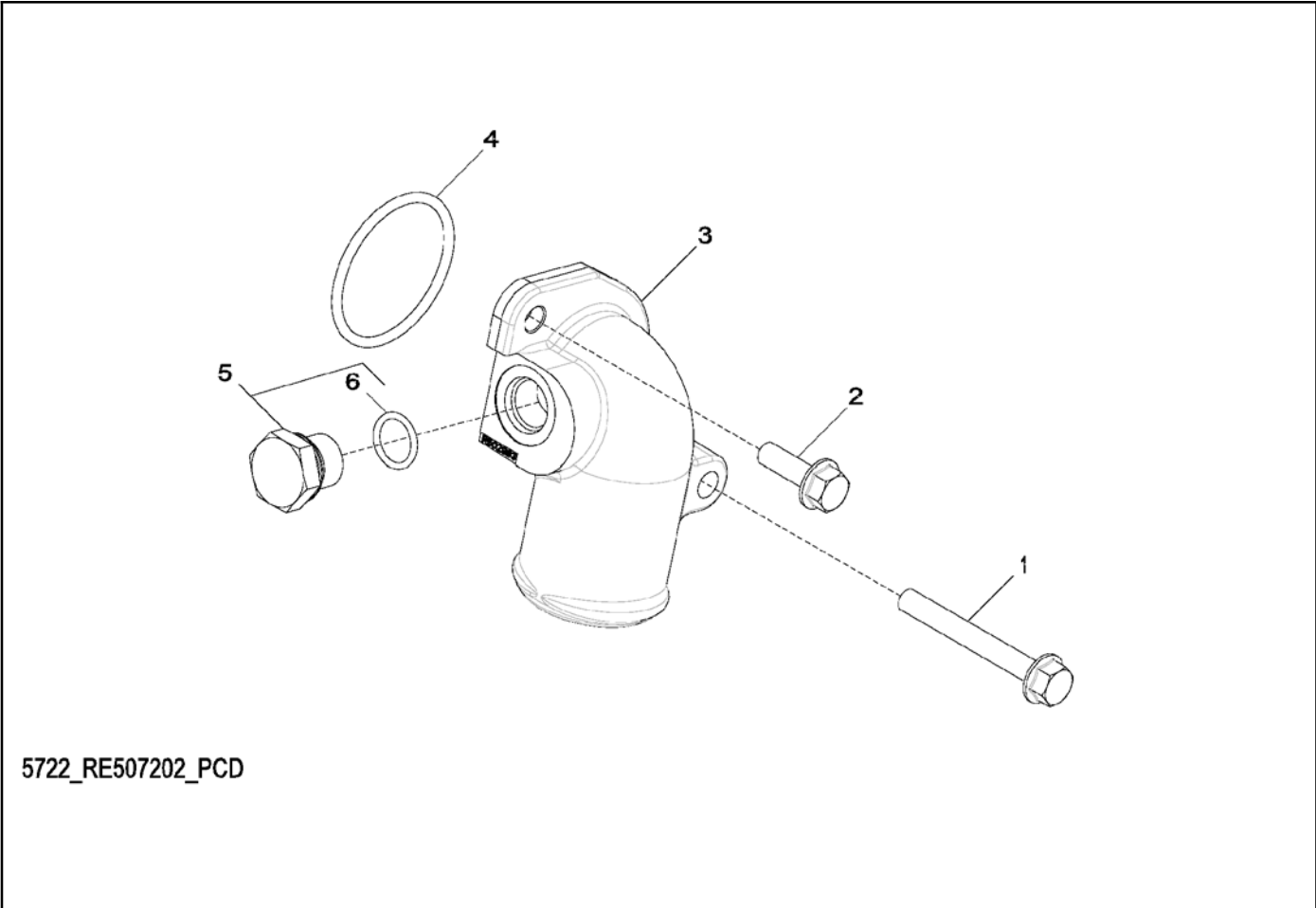


5422_RE567574_PCD

Item	Part Number	Description	Qty.
			Variation 5422
1	GM18851	Clamp	1
2	GM100479	Hose	1
3	GM96147	Sensor	1
4	#	Cap Screw, M6 X 12	2
5	#	Screw, M6 X 12	1

Common hardware; procure locally.

Group 57: Water Pump Inlet

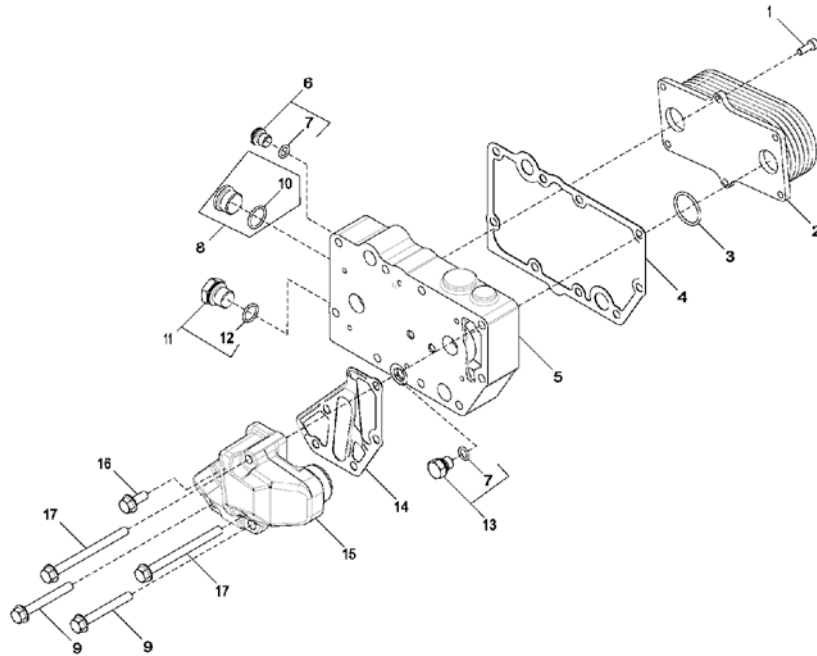


5722_RE507202_PCD

Item	Part Number	Description	Qty.
			Variation 5722
1	#	Screw, M8 X 65	1
2	#	Screw, M8 X 25	1
3	GM32792	Housing	1
4	224172	O-Ring	1
5	360014	Plug	1
6	360176	O-Ring	1

Common hardware; procure locally.

Group 59: Oil Cooler and Filter

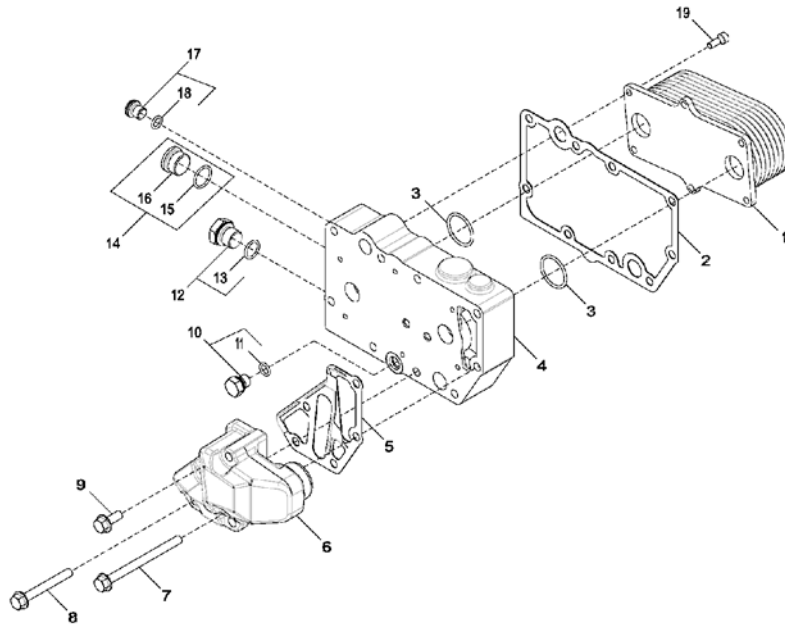


5963_RE546174_PCD

Item	Part Number	Description	Qty.
			Variation 5963
1	GM50684	Screw, M6 x 16	6
1	GM50082	Screw	6
2	275503	Cooler, oil	1
2	360560	Oil Cooler	1
3	360170	O-Ring	2
4	360130	Gasket, Oil Cooler Housing	1
5	GM49890	Housing	1
6	GM96100	Fitting	1
7	360178	O-Ring	2
8	GM88720	Fitting Plug	1
9	#	Screw, M8 X 65	2
10	GM17437	O-ring	1
11	360014	Plug	1
12	360176	O-Ring	1
13	360015	Plug	1
14	GM17479	Gasket	1
15	GM17462	Adapter w/tube	1
16	GM24536	Screw	1
17	#	Screw, M8 X 100	2

Common hardware; procure locally.

Group 59: Oil Cooler and Filter

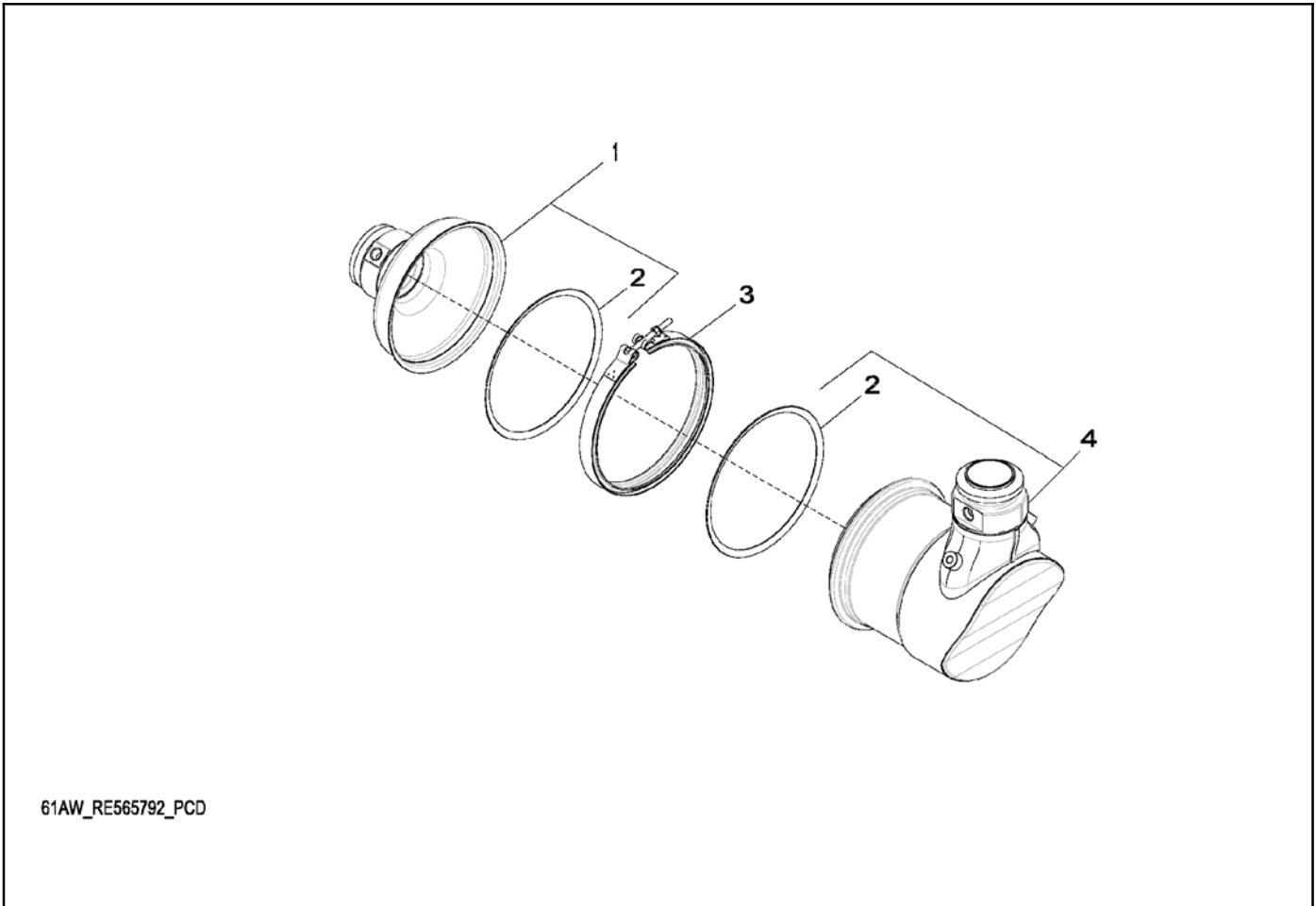


5962_RE546173_PCD

Item	Part Number	Description	Qty.
			Variation 5962
1	GM100544	Oil Cooler	1
2	360130	Gasket, Oil Cooler Housing	1
3	360170	O-Ring	2
4	GM49890	Housing	1
5	GM17479	Gasket	1
6	GM49933	Fitting, adapter	1
6	GM50685	Adapter fitting	1
7	#	Screw, M8 X 100	2
8	#	Screw, M8 X 65	2
9	GM24536	Screw	1
10	360015	Plug	1
11	360178	O-Ring	1
12	360014	Plug	1
13	360176	O-Ring	1
14	GM88720	Fitting Plug	1
15	GM17437	O-ring	1
16	GM17447	Fitting	1
17	GM32824	Plug	1
18	360178	O-Ring	1
19	GM50684	Screw, M6 x 16	6
19	GM50082	Screw	6

Common hardware; procure locally.

Group 61: Exhaust Filter

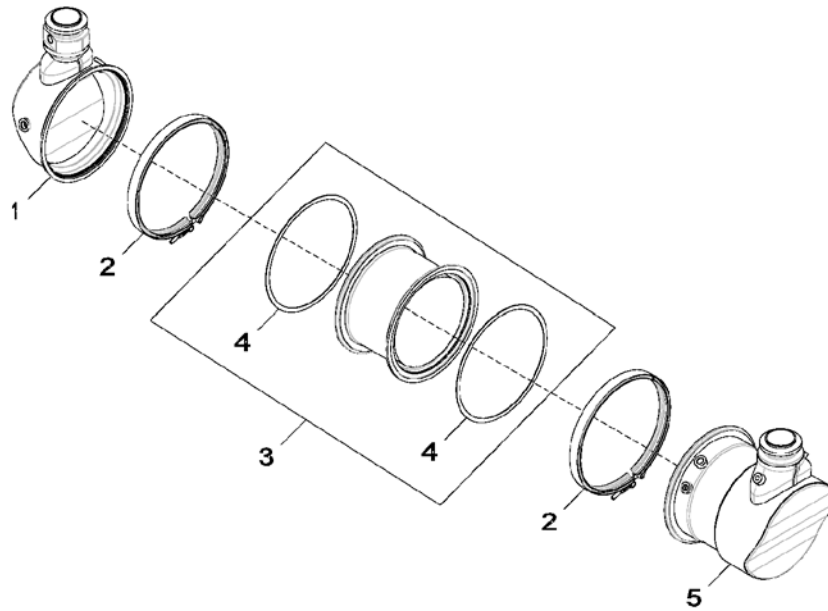


61AW_RE565792_PCD

Item	Part Number	Description	Qty.
			Variation 61AW
1	GM100618	Exhaust Pipe	1
2	GM100619	Gasket	2
3	GM100620	Clamp	1
4	GM100621	Diesel Oxidation Catalyst	1

Common hardware; procure locally.

Group 61: Exhaust Filter

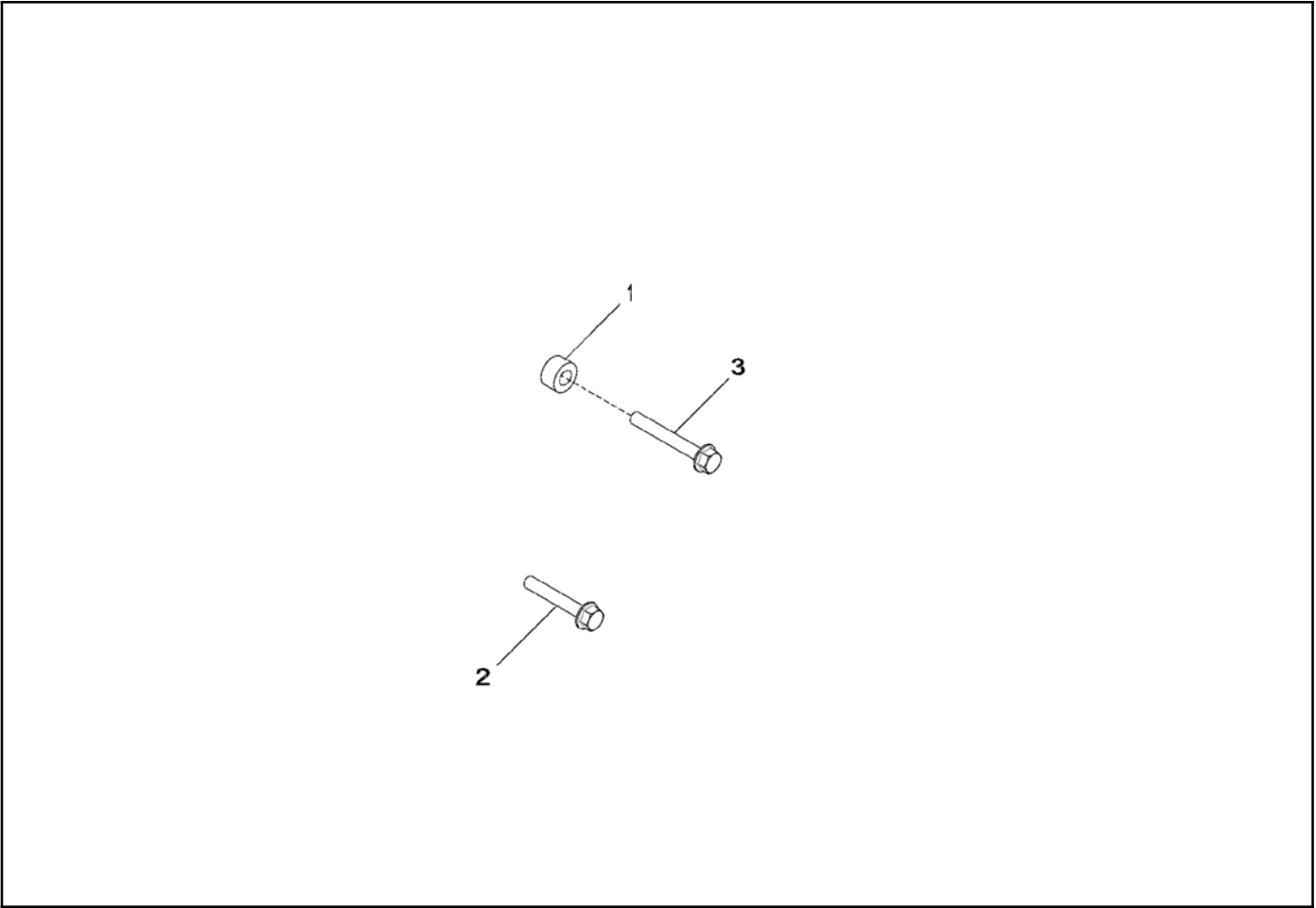


61AZ_RE555851_PCD

Item	Part Number	Description	Qty.
			Variation 61AZ
1	GM100626	Exhaust Pipe	1
2	GM96089	Clamp	2
3	GM100627	Diesel Particulate Filter	1
4	GM96014	Gasket	2
5	GM100628	Diesel Oxidation Catalyst	1

Common hardware; procure locally.

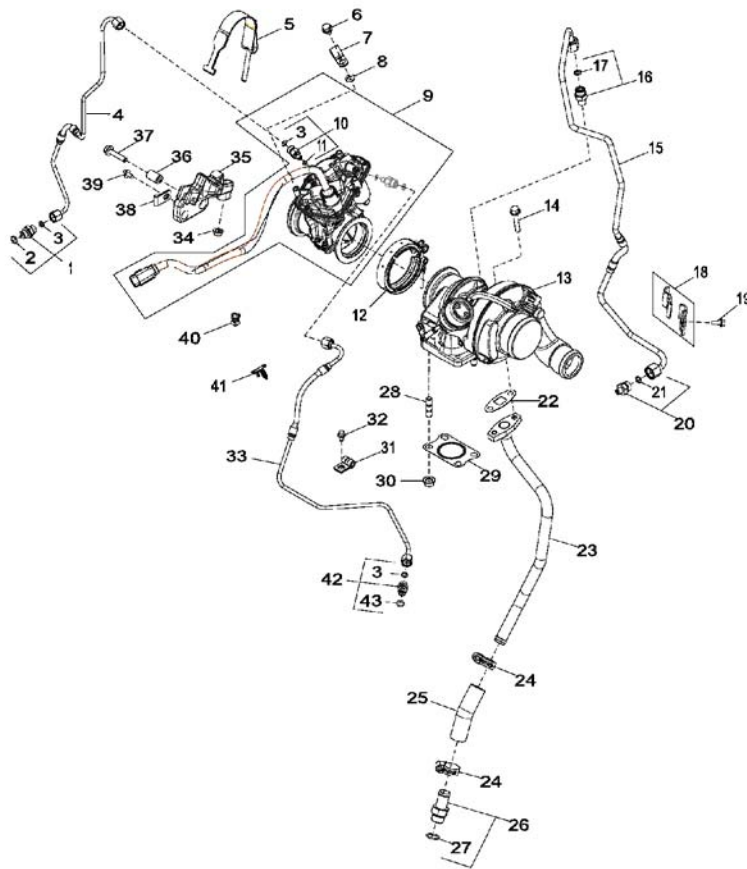
Group 62: Alternator Mounting Hardware



Item	Part Number	Description	Qty.
			Variation 6297
1	GM95944	Spacer	1
2	#	Screw, M8 X 50	1
3	#	Screw, M8 X 60	1

Common hardware; procure locally.

Group 65: Turbocharger



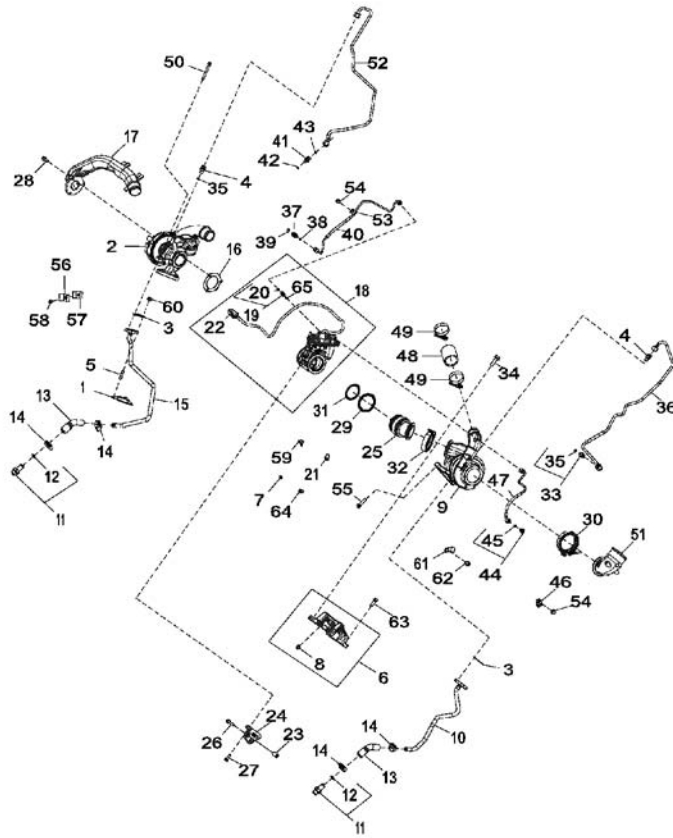
65Q3_RE559464_PCD

Group 65: Turbocharger

Item	Part Number	Description	Qty.
			Variation 65Q3
1	GM100480	Adapter Fitting	1
2	GM21508	O-ring	1
3	GM17557	O-ring	1
4	GM100481	Line	1
5	GM100482	Clamp	1
6	GM95963	Cap Screw	1
7	GM100483	Clamp	1
8	#	Washer, 8.400 X 16 X 1.600 mm	1
9	GM100484	Exhaust Valve	1
12	GM94257	Clamp, V-Band	1
13	GM100485	Turbocharger	1
14	#	Screw, M8 X 45	2
15	GM100486	Line	1
16	GM100487	Elbow Fitting	1
17	360165	O-Ring	1
18	GM100488	Half Clamp	1
19	GM95664	Screw, M6 X 16	1
20	GM100489	Adapter Fitting	1
21	360165	O-Ring	1
22	360136	Gasket, Turbo Oil Outlet Tube	1
23	GM100490	Line	1
24	360062	Clamp	2
25	GM100491	Hose	1
26	GM88717	Hose Fitting	1
27	GM17437	O-ring	1
28	GM100492	Stud	4
29	GM100493	Gasket	1
30	GM30375	Flange Nut, M10	4
31	GM50659	Clamp	1
32	#	Screw, M6 X 12	1
33	GM100494	Line	1
34	GM100495	Nut	1
35	GM100496	Bracket	1
36	GM49844	Bushing	2
37	GM100497	Cap Screw	2
38	GM100498	Clamp	1
39	#	Screw, M6 X 12	1
40	GM100453	Tie Band	2
41	GM100499	Tie Band	1
42	GM95936	Adapter Fitting	1
43	360178	O-Ring	1

Common hardware; procure locally.

Group 65: Turbocharger



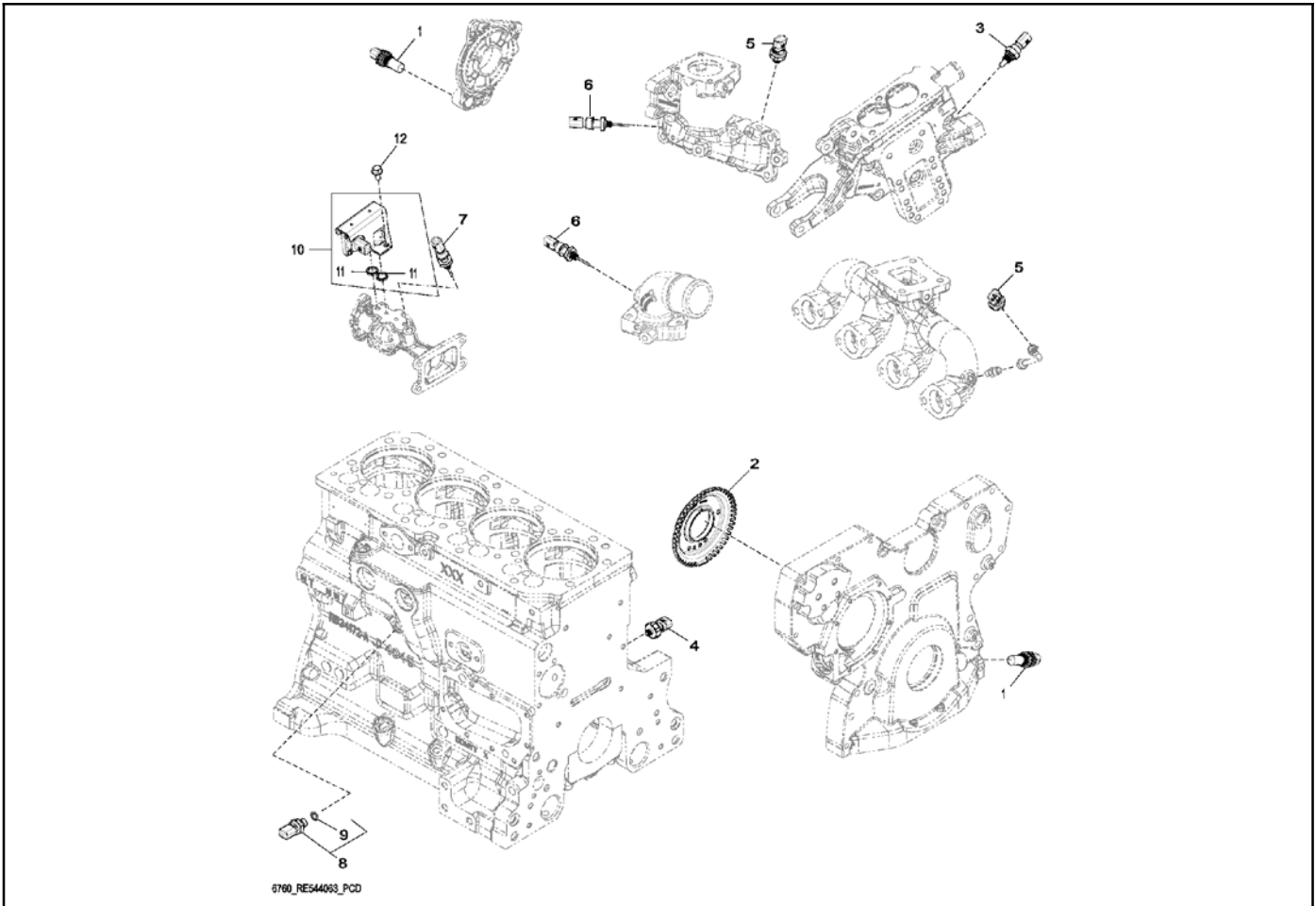
65H4_RE552955_PCD

Group 65: Turbocharger

Item	Part Number	Description	Qty.
			Variation 65H4
1	GM100545	Gasket	1
2	GM100546	Turbocharger	1
3	360136	Gasket, Turbo Oil Outlet Tube	2
4	GM100487	Elbow Fitting	2
5	GM100492	Stud	3
6	GM100547	Bracket	1
7	GM49908	Block clamp	5
8	GM95885	Spring Pin	2
9	GM100548	Turbocharger	1
10	GM100549	Tube	1
11	GM88717	Hose Fitting	2
12	GM17437	O-ring	1
13	GM100550	Hose	2
14	360062	Clamp	4
15	GM100551	Tube	1
16	GM100552	Gasket	1
17	GM100553	Air Duct	1
18	GM100554	Exhaust Valve	1
19	GM100555	Adapter	2
20	GM17557	O-ring	1
21	GM100453	Tie Band	3
22	GM95922	Elec. Connector Housing	1
23	GM49844	Bushing	2
24	GM100556	Bracket	1
25	GM100557	Tube	1
26	GM100497	Cap Screw	2
27	GM100558	Cap Screw	2
28	#	Screw, M8 X 30	3
29	GM100559	Gasket	1
30	GM94257	Clamp, V-Band	2
31	GM93749	Gasket, V-Band Clamp	2
32	GM100560	Clamp	2
33	GM49990	Fitting, adapter	1
34	#	Bolt, M12 X 40	1
35	360165	O-Ring	1
36	GM100561	Line	1
37	GM100480	Adapter Fitting	1
38	GM17557	O-ring	1
39	GM21508	O-ring	1
40	GM100562	Line	1
41	GM49821	Fitting, adapter	1
42	360555	O-Ring	1
43	360178	O-Ring	1
44	GM100563	Adapter Fitting	1
45	GM17557	O-ring	1
46	GM100564	Clamp	1
47	GM100565	Line	1
48	GM100566	Hose	1
49	GM88773	Clamp	2
50	#	Screw, M8 X 75	4
51	GM100567	Adapter	1
52	GM100568	Line	1
53	GM50659	Clamp	1
54	GM50033	Cap screw	2
55	GM100569	Cap Screw	3
56	GM100570	Half Clamp	3
57	GM100571	Half Clamp	3
58	#	Screw, M6 X 25	3
59	GM95935	Elec. Connector Accessory	1
60	GM30375	Flange Nut, M10	3
61	GM21408	Clamp	1
62	#	Screw, M8 X 16	1
63	GM100572	Cap Screw	2
64	GM100573	Clip	5
65	GM95889	O-Ring	1
66	GM100574	Clamp (not shown)	1

Common hardware; procure locally.

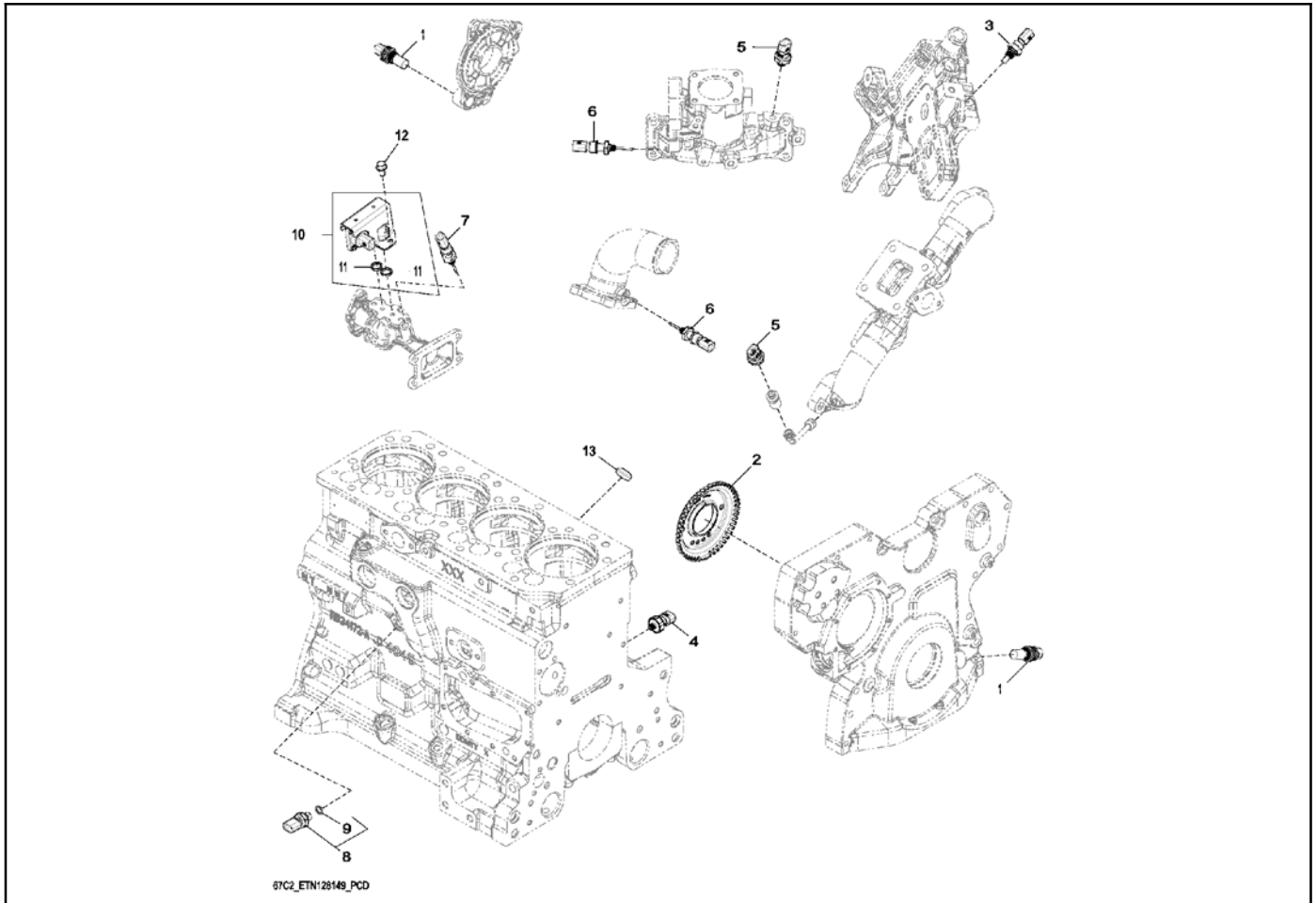
Group 67: Sensors



Item	Part Number	Description	Qty.
			Variation 6760
1	GM96084	Sensor	2
2	GM49838	Wheel	1
3	GM96087	Coolant Temperature Sensor	1
4	GM100500	Engine Oil Press. Sensor	1
5	GM88789	Manifold Air Press. Sensor	2
6	GM96085	Temperature Sensor	2
7	GM96086	Temperature Sensor	1
8	GM100501	Pressure Sensor	1
9	GM21508	O-ring	1
10	GM96151	Pressure Sensor	1
11	GM95998	O-Ring	2
12	#	Screw, M8 X 16	2

Common hardware; procure locally.

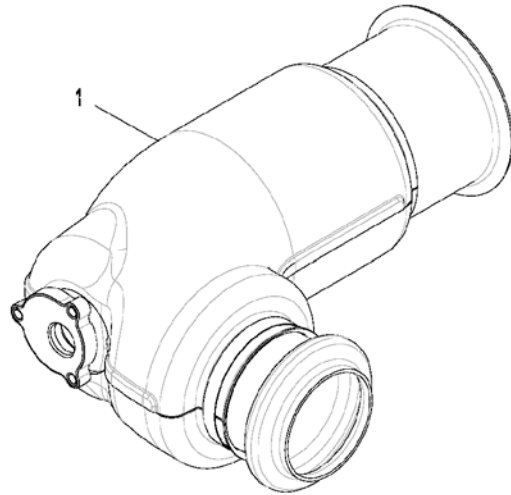
Group 67: Sensors



Item	Part Number	Description	Qty.
			Variation 67C2
1	GM96084	Sensor	2
2	GM49838	Wheel	1
3	GM96087	Coolant Temperature Sensor	1
4	GM100500	Engine Oil Press. Sensor	1
5	GM88789	Manifold Air Press. Sensor	2
6	GM96085	Temperature Sensor	2
7	GM96086	Temperature Sensor	1
8	GM100501	Pressure Sensor	1
9	GM21508	O-ring	1
10	GM96151	Pressure Sensor	1
11	GM95998	O-Ring	2
12	#	Screw, M8 X 16	2
13	GM96085	Temperature Sensor	1

Common hardware; procure locally.

Group 70: Exhaust Pipe

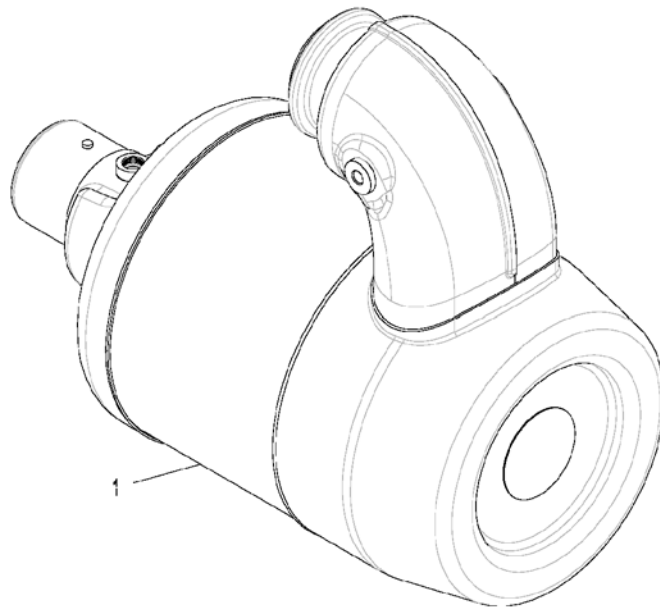


7004_RE565996_PCD

Item	Part Number	Description	Qty.
			Variation 7004
1	GM100502	Tube	1

Common hardware; procure locally.

Group 71: SCR

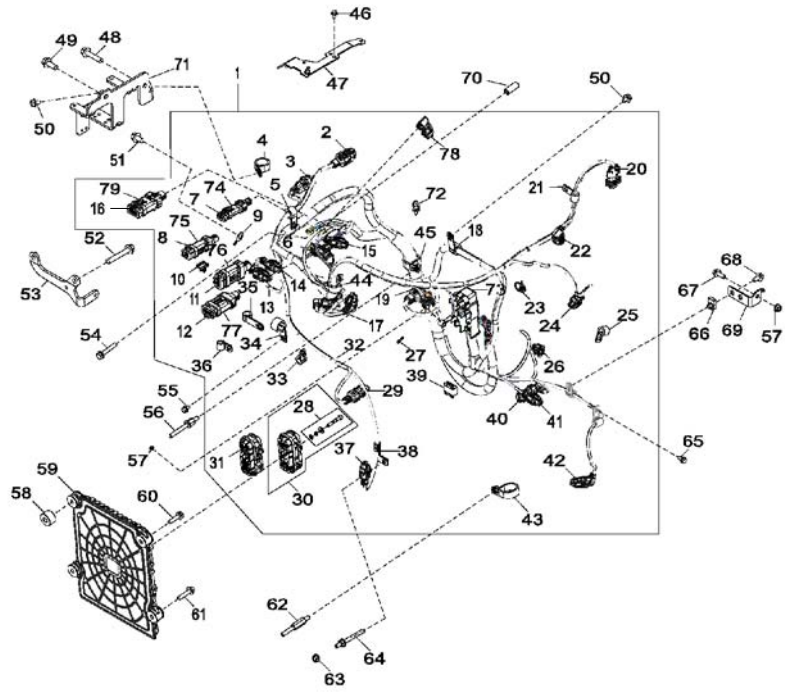


7106_RE565849_PCD

Item	Part Number	Description	Qty.
			Variation
1	GM100503	Converter	7106 1

Common hardware; procure locally.

Group 84: Wiring Harness



84FU_RE560769_PCD

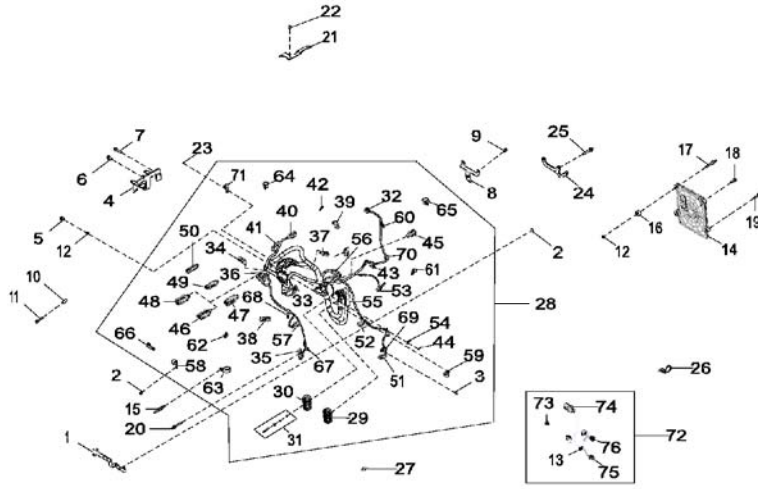
Item	Part Number	Description	Qty.
			Variation 84FU
1	GM100504	Wiring Harness	1
2	GM95919	Elec. Connector Housing	1
	GM95933	Elec. Connector Accessory	1
3	GM95920	Elec. Connector Housing	1
	GM95933	Elec. Connector Accessory	1
4	GM95897	Half Clamp	1
5	GM95903	Half Clamp	1
6	GM95915	Elec. Connector Housing	2
	GM95892	Elec. Connector Accessory	2
7	GM95918	Elec. Connector Housing	1
8	GM95919	Elec. Connector Housing	1
9	GM100505	Elec. Connector Terminal	1
10	GM95935	Elec. Connector Accessory	5
11	GM95924	Elec. Connector Housing	1
12	GM95925	Elec. Connector Housing	1
13	GM95915	Elec. Connector Housing	1
	GM95932	Elec. Connector Accessory	1
14	GM95912	Elec. Connector Housing	2
	GM100506	Elec. Connector Accessory	1
15	GM95911	Elec. Connector Housing	1
	GM100506	Elec. Connector Accessory	1
16	GM95926	Elec. Connector Housing	1
17	GM95911	Elec. Connector Housing	1
	GM95891	Elec. Connector Accessory	1
18	GM100507	Clamp	3
19	GM95923	Elec. Connector Housing	1
	GM100508	Elec. Connector Accessory	1
20	GM95908	Elec. Connector Housing	1
21	GM95904	Half Clamp	2
22	GM95916	Elec. Connector Housing	2
	GM95892	Elec. Connector Accessory	2
23	GM100453	Tie Band	5

Group 84: Wiring Harness

Item	Part Number	Description	Qty.
			Variation 84FU
24	GM95911	Elec. Connector Housing	1
25	GM95900	Half Clamp	1
26	GM100509	Elec. Connector Housing	1
27	GM100510	Elec. Connector Terminal	1
28	GM96142	Bolt Kit	2
29	GM95918	Elec. Connector Housing	1
	GM95932	Elec. Connector Accessory	1
30	GM100511	Elec. Connector Accessory	1
31	GM96097	Elec. Connector Accessory	1
32	GM100512	Clamp	1
33	GM100513	Clamp	1
34	GM95905	Half Clamp	1
35	GM100514	Clamp	1
36	GM95899	Half Clamp	3
37	GM95910	Elec. Connector Housing	1
	GM100506	Elec. Connector Accessory	1
38	GM100515	Clamp	1
39	GM100516	Elec. Connector Housing	1
40	GM95917	Elec. Connector Housing	1
	GM95892	Elec. Connector Accessory	1
41	GM95913	Elec. Connector Housing	1
	GM100506	Elec. Connector Accessory	1
42	GM95913	Elec. Connector Housing	1
	GM95891	Elec. Connector Accessory	1
43	GM100517	Clamp	1
44	GM95896	Half Clamp	2
45	GM95901	Half Clamp	1
46	#	Screw, M6 X 12	2
47	GM100518	Bracket	1
48	GM75821	Screw, M10 X 45	1
49	#	Screw, M10 X 25	1
50	GM50033	Cap screw	7
51	#	Screw, M10 X 16	1
52	#	Screw, M10 X 65	2
53	GM100519	Bracket	1
54	#	Screw, M8 X 45	1
55	#	Screw, M6 X 10	1
56	GM100520	Stud	1
57	#	Lock Nut, M5	1
58	GM100521	Spacer	1
59	GM100522	Engine Controller	1
60	#	Screw, M8 X 30	1
61	#	Screw, M8 X 35	1
62	GM100523	Stud	1
63	#	Flange Nut, M8	7
64	GM100524	Stud	1
65	#	Screw, M6 X 12	2
66	GM80246	Nut	1
67	#	Screw, M8 X 20	1
68	#	Screw, M8 X 16	1
69	GM100525	Bracket	1
70	#	Bushing, 0.364" X 0.540" X 1-1/4"	1
71	-	Bracket	1
	GM100526	Bracket	1
72	GM96080	Tie Band	4
73	GM94356	Cover, Connector	2
74	GM95929	Elec. Connector Housing	1
	GM95932	Elec. Connector Accessory	1
75	GM95921	Elec. Connector Housing	1
	GM95933	Elec. Connector Accessory	1
76	GM95927	Elec. Connector Housing	1
	GM95934	Elec. Connector Accessory	1
77	GM95928	Elec. Connector Housing	1
	GM95934	Elec. Connector Accessory	1
78	GM95912	Elec. Connector Housing	1
	GM95891	Elec. Connector Accessory	1
79	GM95931	Elec. Connector Housing	1
	GM95934	Elec. Connector Accessory	1

Common hardware; procure locally.

Group 84: Wiring Harness



84FR_RE580840_PCD

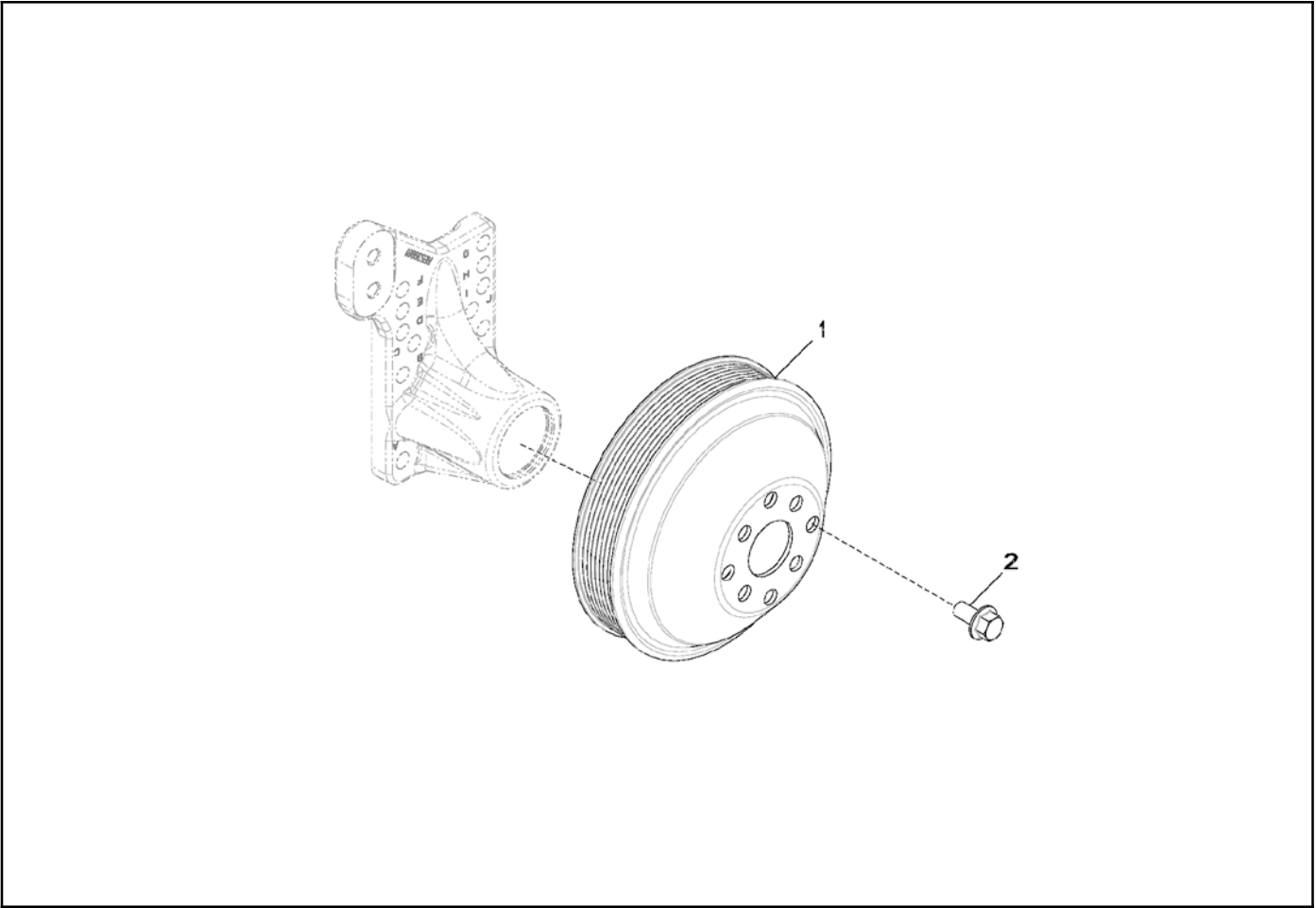
Item	Part Number	Description	Qty.
			Variation 84FR
1	GM100575	Bracket	1
2	GM50033	Cap screw	7
3	#	Screw, M6 X 12	2
4	-	Bracket	1
	GM100526	Bracket	1
5	#	Screw, M10 X 16	1
6	#	Screw, M10 X 25	1
7	GM75821	Screw, M10 X 45	1
8	GM100576	Bracket	1
9	#	Screw, M8 X 16	2
10	#	Bushing, 0.364" X 0.540" X 1-1/4"	1
11	#	Screw, M8 X 45	1
12	#	Flange Nut, M8	6
13	GM96080	Tie Band	3
14	GM100522	Engine Controller	1
15	GM100523	Stud	1
16	GM100521	Spacer	1
17	GM100520	Stud	1
18	#	Screw, M8 X 30	1
19	#	Screw, M8 X 35	1
20	GM100524	Stud	1
21	GM100518	Bracket	1
22	#	Screw, M6 X 12	2
23	#	Lock Nut, M5	1
24	GM100519	Bracket	1
25	#	Screw, M10 X 65	2
26	GM100577	Clip	1
27	GM100578	Tie Band	1
28	GM100579	Wiring Harness	1
29	GM100511	Elec. Connector Accessory	1
30	GM96097	Elec. Connector Accessory	1
31	GM96142	Bolt Kit	1

Group 84: Wiring Harness

Item	Part Number	Description	Qty.
			Variation 84FU
32	GM95908	Elec. Connector Housing	1
33	GM95915	Elec. Connector Housing	3
	GM95932	Elec. Connector Accessory	1
34	GM95915	Elec. Connector Housing	1
	GM95892	Elec. Connector Accessory	1
35	GM95910	Elec. Connector Housing	1
	GM100506	Elec. Connector Accessory	1
36	GM95912	Elec. Connector Housing	2
	GM100506	Elec. Connector Accessory	1
37	GM95911	Elec. Connector Housing	3
	GM100506	Elec. Connector Accessory	1
38	GM95911	Elec. Connector Housing	1
	GM95891	Elec. Connector Accessory	1
39	GM95912	Elec. Connector Housing	1
	GM95891	Elec. Connector Accessory	1
40	GM95919	Elec. Connector Housing	2
	GM95933	Elec. Connector Accessory	1
41	GM95920	Elec. Connector Housing	1
	GM95933	Elec. Connector Accessory	1
42	GM100505	Elec. Connector Terminal	1
43	GM95916	Elec. Connector Housing	2
	GM95892	Elec. Connector Accessory	1
44	GM100510	Elec. Connector Terminal	1
45	GM95923	Elec. Connector Housing	1
	GM100508	Elec. Connector Accessory	1
46	GM95925	Elec. Connector Housing	1
	GM95928	Elec. Connector Housing	1
	GM95934	Elec. Connector Accessory	1
47	GM95926	Elec. Connector Housing	1
	GM95931	Elec. Connector Housing	1
	GM95934	Elec. Connector Accessory	1
48	GM95924	Elec. Connector Housing	2
	GM95927	Elec. Connector Housing	1
	GM95934	Elec. Connector Accessory	1
49	GM95919	Elec. Connector Housing	1
	GM95921	Elec. Connector Housing	1
	GM95933	Elec. Connector Accessory	1
50	GM95929	Elec. Connector Housing	1
	GM95918	Elec. Connector Housing	1
	GM95932	Elec. Connector Accessory	1
51	GM95913	Elec. Connector Housing	1
	GM95891	Elec. Connector Accessory	1
52	GM95917	Elec. Connector Housing	1
	GM95892	Elec. Connector Accessory	1
53	GM95911	Elec. Connector Housing	1
54	GM100580	Boot	1
55	GM94356	Cover, Connector	2
56	GM95924	Elec. Connector Housing	1
	GM95934	Elec. Connector Accessory	1
57	GM95918	Elec. Connector Housing	2
	GM95932	Elec. Connector Accessory	1
58	GM95905	Half Clamp	1
59	GM95896	Half Clamp	2
60	GM95904	Half Clamp	2
61	GM95900	Half Clamp	1
62	GM100513	Clamp	1
63	GM100517	Clamp	1
64	GM95897	Half Clamp	1
65	GM95901	Half Clamp	1
66	GM100514	Clamp	1
67	GM100515	Clamp	1
68	GM100512	Clamp	1
69	GM95899	Half Clamp	2
70	GM100453	Tie Band	7
71	GM95903	Half Clamp	1
72	GM100581	Wiring Harness	1
73	GM95935	Elec. Connector Accessory	5
74	GM95927	Elec. Connector Housing	1
	GM95934	Elec. Connector Accessory	1
75	GM95913	Elec. Connector Housing	1
76	GM100509	Elec. Connector Housing	1

Common hardware; procure locally.

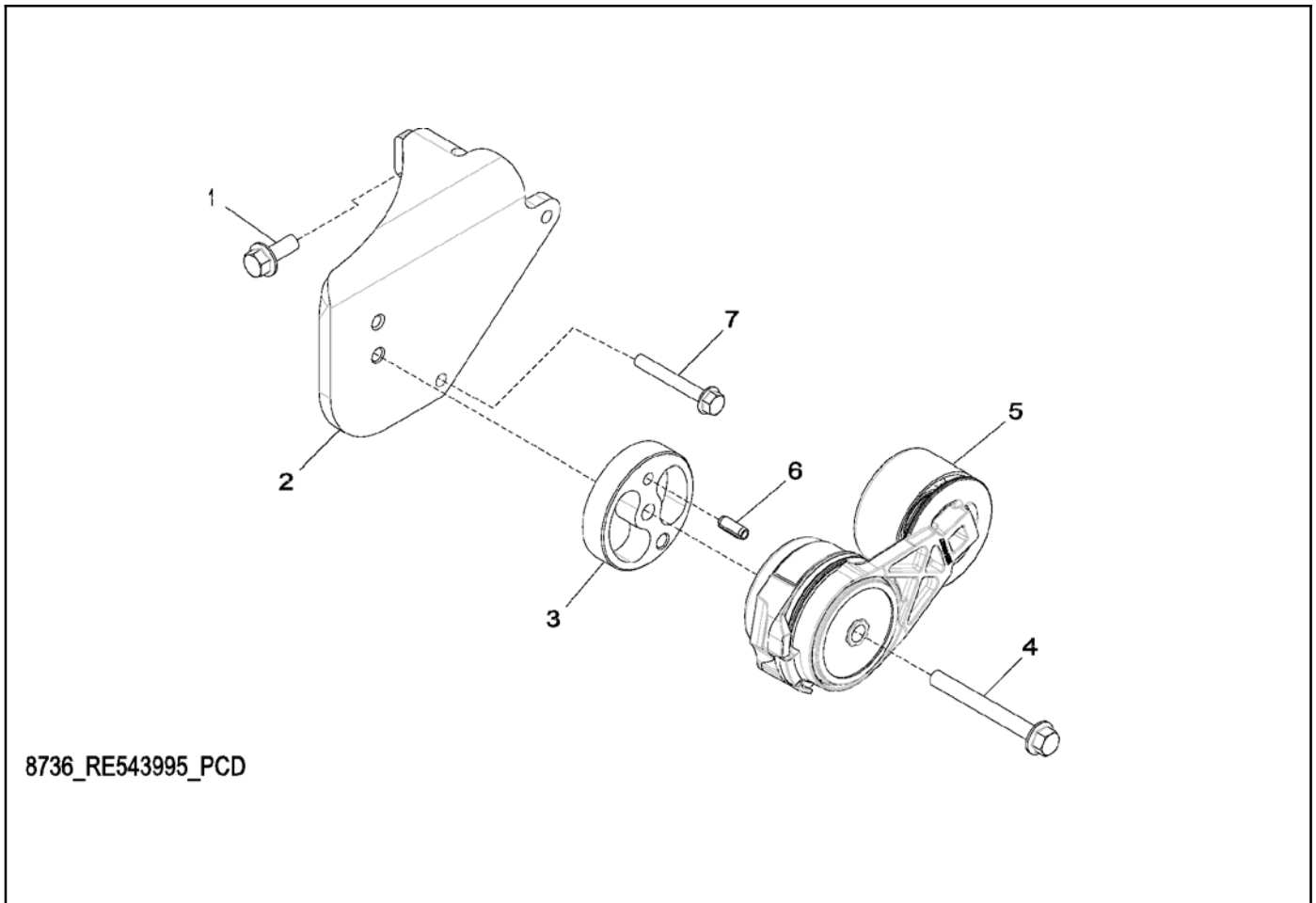
Group 86: Fan Pulley



Item	Part Number	Description	Qty.
			Variation 8672
1	GM100527	Pulley	1
2	GM32765	Screw, M10 X 20	4

Common hardware; procure locally.

Group 87: Belt Tensioner

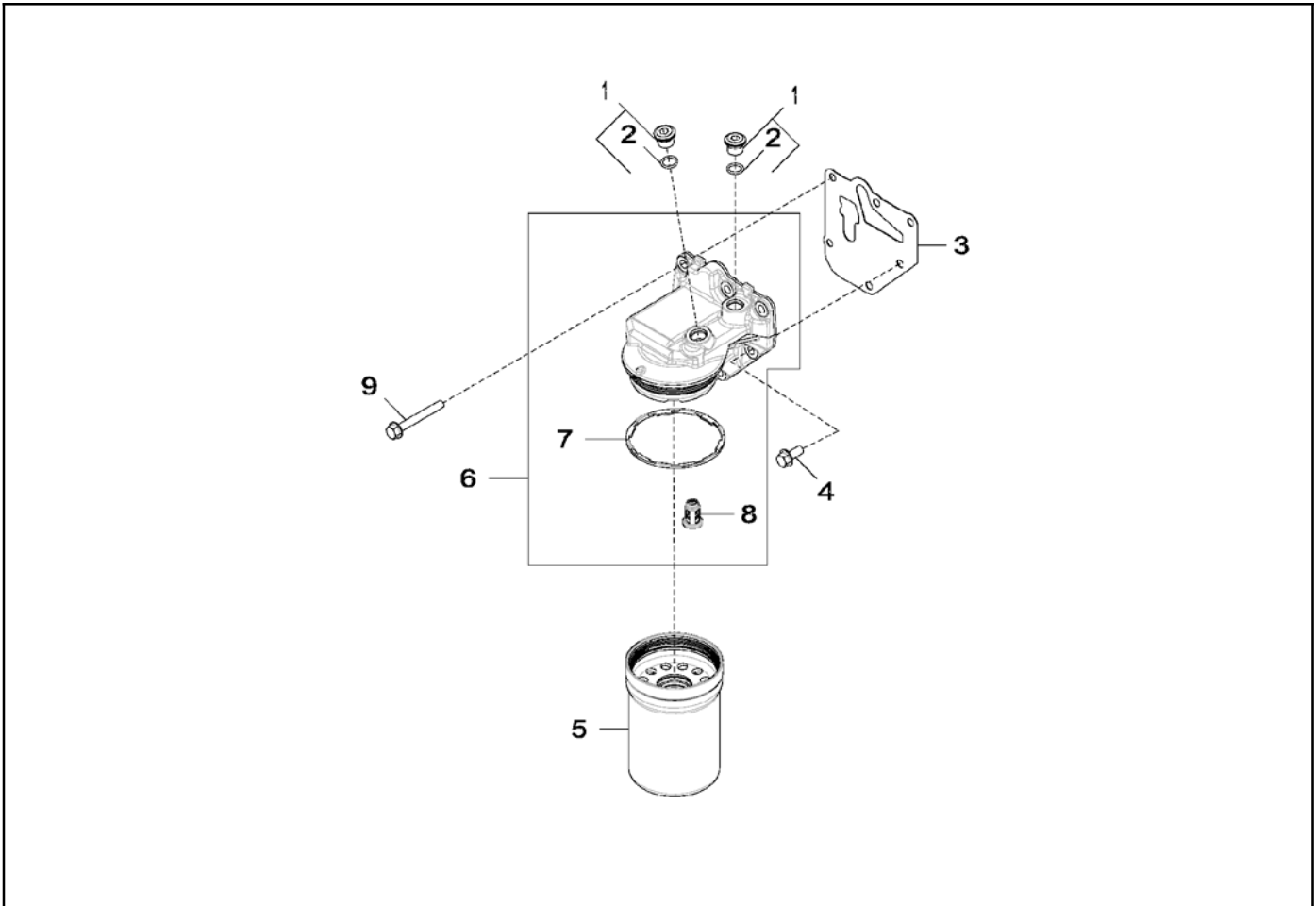


8736_RE543995_PCD

Item	Part Number	Description	Qty.
			Variation 8736
1	#	Screw, M10 X 25	1
2	GM100528	Support	1
3	GM49836	Spacer	1
4	#	Screw, M10 X 90	1
5	GM96149	Belt Tensioner	1
6	GM46601	Spring pin	1
7	#	Screw, M8 X 60	2

Common hardware; procure locally.

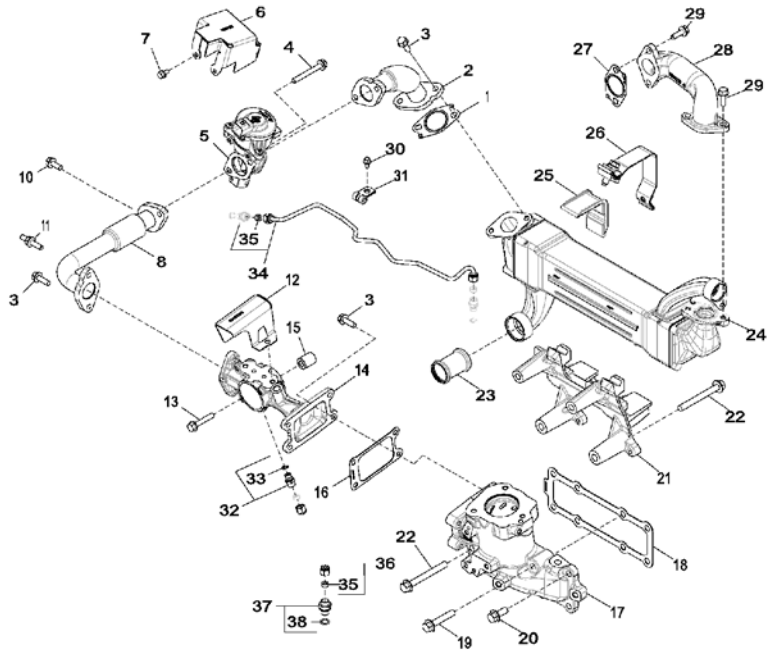
Group 88: Engine Oil Filter



Item	Part Number	Description	Qty.
			Variation 8842
1	GM24535	Plug	2
2	360557	O-Ring	1
3	GM24537	Gasket	1
4	GM24536	Screw	1
5	GM32809	Filter, oil	1
6	GM32808	Filter head	1
7	GM32787	Seal	1
8	GM32807	Valve	1
9	#	Screw, M8 X 65 PKG 10	5

Common hardware; procure locally.

Group 89: Exhaust Gas Recirculation



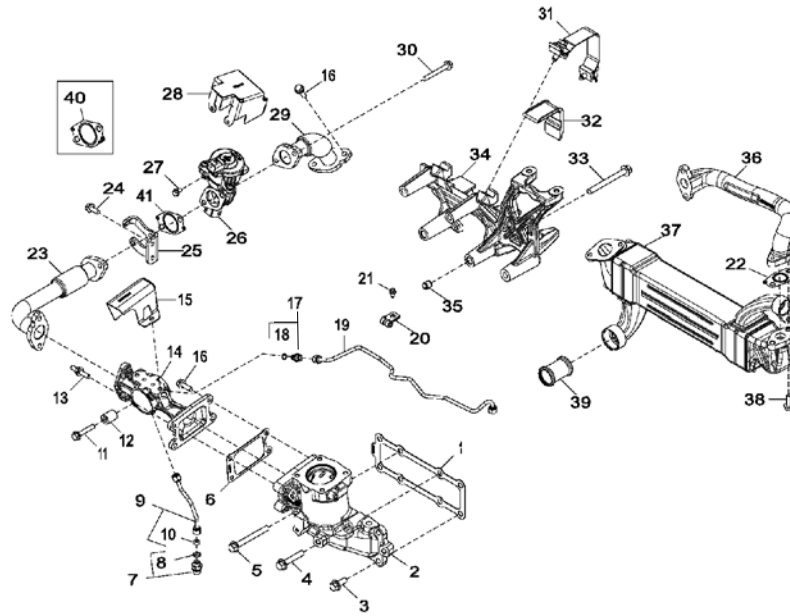
8843_ETN125058_PCD

Group 89: Exhaust Gas Recirculation

Item	Part Number	Description	Qty.
			Variation 8943
1	GM100605	Gasket	4
2	GM100594	Tube	1
3	#	Screw, M8 X 25	5
4	#	Screw, M8 X 65	2
5	GM100592	Exhaust Gas Recycling Valve	1
6	GM100593	Heat Shield	1
7	#	Screw, M6 X 12	1
8	GM100590	Tube	1
9	GM100591	Bracket (not shown)	1
10	#	Screw, M8 X 20	2
11	GM95997	Stud	3
12	GM96019	Heat Shield	1
13	#	Screw, M8 X 45	1
14	GM100587	Venturi	1
14	GM100606	Venturi	1
15	GM21494	Bushing	1
16	GM100584	Gasket	1
17	GM100607	Air Intake	1
18	GM100582	Gasket	1
19	#	Screw, M10 X 55	1
20	#	Screw, M10 X 25	6
21	GM100608	Bracket	1
22	#	Screw, M10 X 90	5
23	GM95975	Tube	1
24	GM100609	Heat Exchanger	1
25	GM100596	Pad	2
26	GM100595	Clamp	2
27	GM100600	Gasket	2
28	GM100610	Manifold	1
29	GM96070	Cap Screw	4
30	#	Screw, M6 X 12	1
31	GM50659	Clamp	1
32	360036	Fitting	3
33	GM32896	O-ring	1
34	GM100588	Line	1
35	GM52792	Washer	2
36	GM100585	Line	1
37	GM96136	Adapter Fitting	1
38	GM21508	O-ring	1

Common hardware; procure locally.

Group 89: Exhaust Gas Recirculation



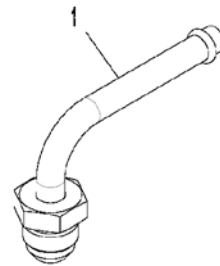
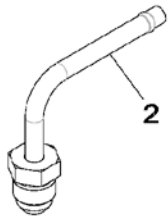
8638_RE554467_PCD

Group 89: Exhaust Gas Recirculation

Item	Part Number	Description	Qty.
			Variation 8938
1	GM100582	Gasket	1
2	GM100583	Air Intake	1
3	#	Screw, M10 X 25	6
4	#	Screw, M10 X 55	1
5	#	Screw, M10 X 90	1
6	GM100584	Gasket	1
7	GM96136	Adapter Fitting	1
8	GM21508	O-ring	1
9	GM100585	Line	1
10	GM52792	Washer	2
11	#	Screw, M8 X 45	1
12	GM21494	Bushing	1
13	GM100586	Stud	3
14	GM100587	Venturi	1
14	GM100606	Venturi	1
15	GM96019	Heat Shield	1
16	#	Screw, M8 X 25	5
17	360036	Fitting	3
18	GM32896	O-ring	1
19	GM100588	Line	1
20	GM50659	Clamp	1
21	#	Screw, M6 X 12	1
22	GM100589	Gasket	2
23	GM100590	Tube	1
24	#	Screw, M8 X 20	1
25	GM100591	Bracket	2
26	GM100592	Exhaust Gas Recycling Valve	1
27	#	Screw, M6 X 12	1
28	GM100593	Heat Shield	1
29	GM100594	Tube	1
30	#	Screw, M8 X 65	2
31	GM100595	Clamp	2
32	GM100596	Pad	2
33	GM70547	Screw, M10 X 100	5
34	GM100597	Bracket	1
35	GM95885	Spring Pin	2
36	GM100598	Manifold	1
37	GM100599	Heat Exchanger	1
38	GM96070	Cap Screw	4
39	GM95975	Tube	1
40	GM100600	Gasket	4
41	GM100601	Gasket	4

Common hardware; procure locally.

Group 91: DPF Fittings

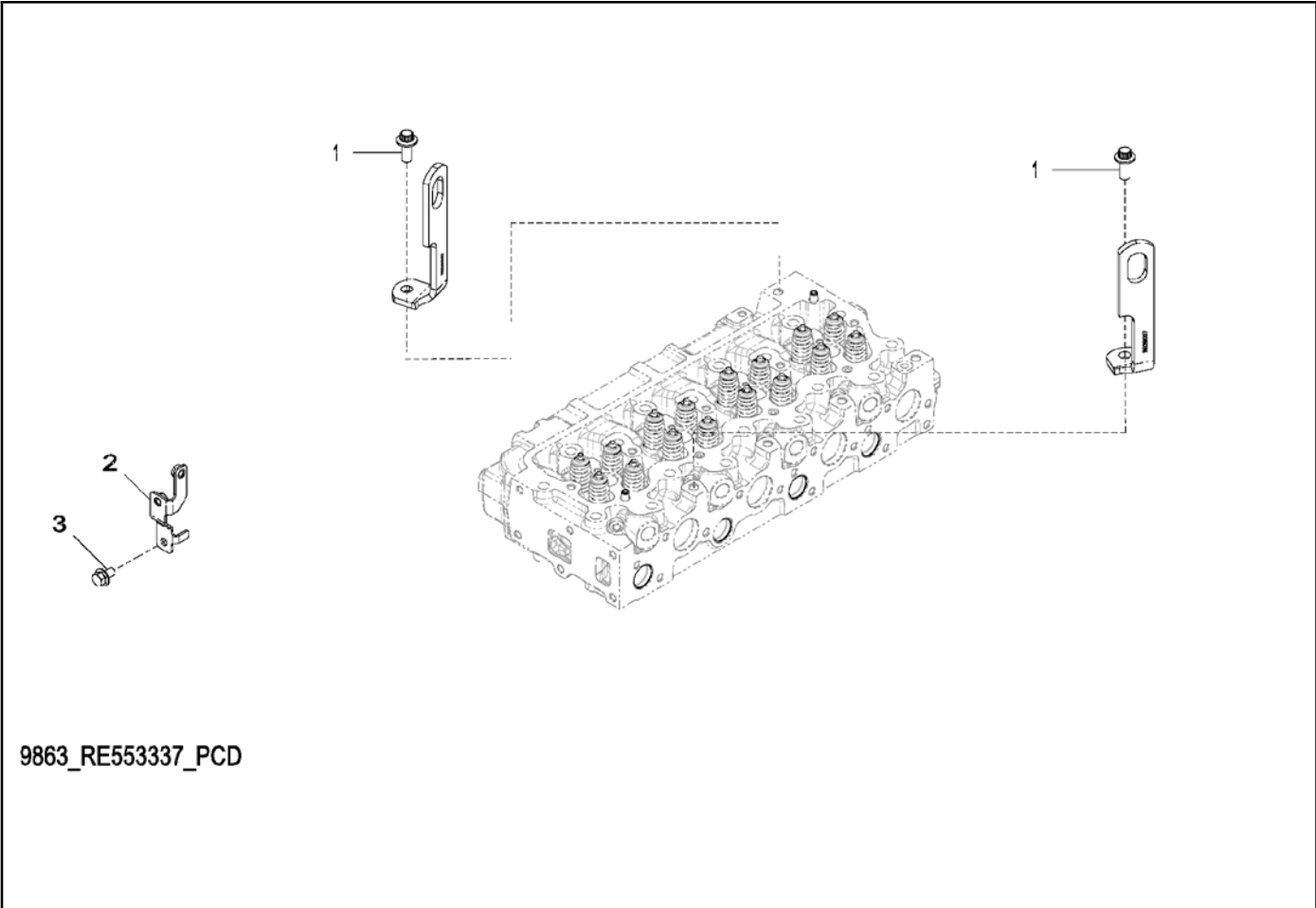


91BR_RE570679_PCD

Item	Part Number	Description	Qty.
			Variation 91BR
1	GM98866	Air Flow Tube, HP	1
2	GM98867	Air Flow Tube, LP	1

Common hardware; procure locally.

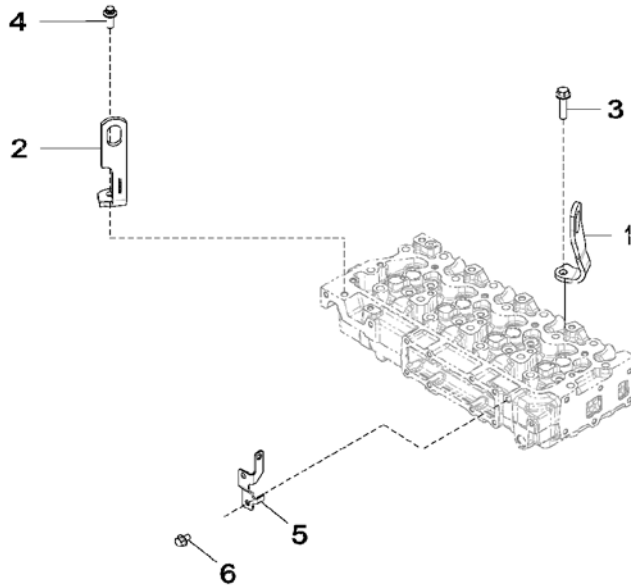
Group 98: Lift Strap



Item	Part Number	Description	Qty.
			Variation 9863
1	GM96018	Cap Screw	2
2	GM100529	Bracket	1
3	#	Screw, M10 X 16	1

Common hardware; procure locally.

Group 98: Lift Strap










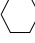

















9866_RE556469_PCD





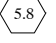
Item	Part Number	Description	Qty.
			Variation 9866
1	-	Strap	1
2	GM95988	Angle Bracket	1
3	#	Screw, M12 X 50	1
4	GM96018	Cap Screw	1
5	GM100529	Bracket	1
6	#	Screw, M10 X 16	1

Common hardware; procure locally.

Appendix A Common Hardware Identification

Screw/Bolts/Studs	
Head Styles	
Hex Head or Machine Head	
Hex Head or Machine Head with Washer	
Flat Head (FHM)	
Round Head (RHM)	
Pan Head	
Hex Socket Head Cap or Allen™ Head Cap	
Hex Socket Head or Allen™ Head Shoulder Bolt	
Sheet Metal Screw	
Stud	
Drive Styles	
Hex	
Hex and Slotted	
Phillips®	
Slotted	
Hex Socket	

Nuts	
Nut Styles	
Hex Head	
Lock or Elastic	
Square	
Cap or Acorn	
Wing	
Washers	
Washer Styles	
Plain	
Split Lock or Spring	
Spring or Wave	
External Tooth Lock	
Internal Tooth Lock	
Internal-External Tooth Lock	

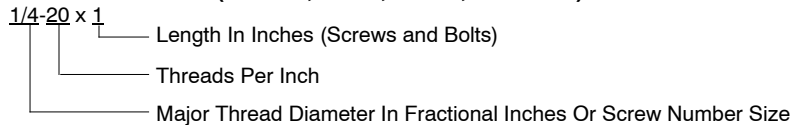
Hardness Grades	
American Standard	
Grade 2	
Grade 5	
Grade 8	
Grade 8/9 (Hex Socket Head)	
Metric	
Number stamped on hardware; 5.8 shown	

Allen™ head screw is a trademark of Holo-Krome Co.

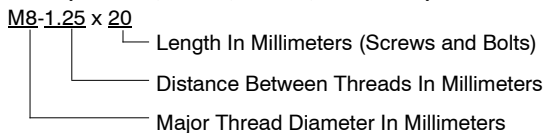
Phillips® screw is a registered trademark of Phillips Screw Company.

Sample Dimensions

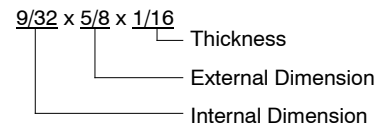
American Standard (Screws, Bolts, Studs, and Nuts)



Metric (Screws, Bolts, Studs, and Nuts)



Plain Washers



Lock Washers



Appendix B Common Hardware List

The Common Hardware List lists part numbers and dimensions for common hardware items.

American Standard

Part No. Dimensions Hex Head Bolts (Grade 5)

X-465-17	1/4-20 x .38
X-465-6	1/4-20 x .50
X-465-2	1/4-20 x .62
X-465-16	1/4-20 x .75
X-465-18	1/4-20 x .88
X-465-7	1/4-20 x 1.00
X-465-8	1/4-20 x 1.25
X-465-9	1/4-20 x 1.50
X-465-10	1/4-20 x 1.75
X-465-11	1/4-20 x 2.00
X-465-12	1/4-20 x 2.25
X-465-14	1/4-20 x 2.75
X-465-21	1/4-20 x 5.00
X-465-25	1/4-28 x .38
X-465-20	1/4-28 x 1.00
X-125-33	5/16-18 x .50
X-125-23	5/16-18 x .62
X-125-3	5/16-18 x .75
X-125-31	5/16-18 x .88
X-125-5	5/16-18 x 1.00
X-125-24	5/16-18 x 1.25
X-125-34	5/16-18 x 1.50
X-125-25	5/16-18 x 1.75
X-125-26	5/16-18 x 2.00
230578	5/16-18 x 2.25
X-125-29	5/16-18 x 2.50
X-125-27	5/16-18 x 2.75
X-125-28	5/16-18 x 3.00
X-125-22	5/16-18 x 4.50
X-125-32	5/16-18 x 5.00
X-125-35	5/16-18 x 5.50
X-125-36	5/16-18 x 6.00
X-125-40	5/16-18 x 6.50
X-125-43	5/16-24 x 1.75
X-125-44	5/16-24 x 2.50
X-125-30	5/16-24 x .75
X-125-39	5/16-24 x 2.00
X-125-38	5/16-24 x 2.75
X-6238-2	3/8-16 x .62
X-6238-10	3/8-16 x .75
X-6238-3	3/8-16 x .88
X-6238-11	3/8-16 x 1.00
X-6238-4	3/8-16 x 1.25
X-6238-5	3/8-16 x 1.50
X-6238-1	3/8-16 x 1.75
X-6238-6	3/8-16 x 2.00
X-6238-17	3/8-16 x 2.25
X-6238-7	3/8-16 x 2.50
X-6238-8	3/8-16 x 2.75
X-6238-9	3/8-16 x 3.00
X-6238-19	3/8-16 x 3.25
X-6238-12	3/8-16 x 3.50
X-6238-20	3/8-16 x 3.75
X-6238-13	3/8-16 x 4.50
X-6238-18	3/8-16 x 5.50
X-6238-25	3/8-16 x 6.50

Part No. Dimensions Hex Head Bolts, cont.

X-6238-14	3/8-24 x .75
X-6238-16	3/8-24 x 1.25
X-6238-21	3/8-24 x 4.00
X-6238-22	3/8-24 x 4.50
X-6024-5	7/16-14 x .75
X-6024-2	7/16-14 x 1.00
X-6024-8	7/16-14 x 1.25
X-6024-3	7/16-14 x 1.50
X-6024-4	7/16-14 x 2.00
X-6024-11	7/16-14 x 2.75
X-6024-12	7/16-14 x 6.50
X-129-15	1/2-13 x .75
X-129-17	1/2-13 x 1.00
X-129-18	1/2-13 x 1.25
X-129-19	1/2-13 x 1.50
X-129-20	1/2-13 x 1.75
X-129-21	1/2-13 x 2.00
X-129-22	1/2-13 x 2.25
X-129-23	1/2-13 x 2.50
X-129-24	1/2-13 x 2.75
X-129-25	1/2-13 x 3.00
X-129-27	1/2-13 x 3.50
X-129-29	1/2-13 x 4.00
X-129-30	1/2-13 x 4.50
X-463-9	1/2-13 x 5.50
X-129-44	1/2-13 x 6.00
X-129-51	1/2-20 x .75
X-129-45	1/2-20 x 1.25
X-129-52	1/2-20 x 1.50
X-6021-3	5/8-11 x 1.00
X-6021-4	5/8-11 x 1.25
X-6021-2	5/8-11 x 1.50
X-6021-1	5/8-11 x 1.75
273049	5/8-11 x 2.00
X-6021-5	5/8-11 x 2.25
X-6021-6	5/8-11 x 2.50
X-6021-7	5/8-11 x 2.75
X-6021-12	5/8-11 x 3.75
X-6021-11	5/8-11 x 4.50
X-6021-10	5/8-11 x 6.00
X-6021-9	5/8-18 x 2.50
X-6239-1	3/4-10 x 1.00
X-6239-8	3/4-10 x 1.25
X-6239-2	3/4-10 x 1.50
X-6239-3	3/4-10 x 2.00
X-6239-4	3/4-10 x 2.50
X-6239-5	3/4-10 x 3.00
X-6239-6	3/4-10 x 3.50
X-792-1	1-8 x 2.25
X-792-5	1-8 x 3.00
X-792-8	1-8 x 5.00

Part No. Dimensions Type

Hex Nuts

X-6009-1	1-8	Standard
X-6210-3	6-32	Whiz
X-6210-4	8-32	Whiz
X-6210-5	10-24	Whiz
X-6210-1	10-32	Whiz
X-6210-2	1/4-20	Spiralock
X-6210-6	1/4-28	Spiralock
X-6210-7	5/16-18	Spiralock
X-6210-8	5/16-24	Spiralock
X-6210-9	3/8-16	Spiralock
X-6210-10	3/8-24	Spiralock
X-6210-11	7/16-14	Spiralock
X-6210-12	1/2-13	Spiralock
X-6210-15	7/16-20	Spiralock
X-6210-14	1/2-20	Spiralock
X-85-3	5/8-11	Standard
X-88-12	3/4-10	Standard
X-89-2	1/2-20	Standard

Washers

Part No.	ID	OD	Thick.	Bolt/ Screw
X-25-46	.125	.250	.022	#4
X-25-9	.156	.375	.049	#6
X-25-48	.188	.438	.049	#8
X-25-36	.219	.500	.049	#10
X-25-40	.281	.625	.065	1/4
X-25-85	.344	.687	.065	5/16
X-25-37	.406	.812	.065	3/8
X-25-34	.469	.922	.065	7/16
X-25-26	.531	1.062	.095	1/2
X-25-15	.656	1.312	.095	5/8
X-25-29	.812	1.469	.134	3/4
X-25-127	1.062	2.000	.134	1

Metric, continued

Part No.	Dimensions	Type
Hex Nuts		
M934-03-50	M3-0.50	Standard
M934-04-50	M4-0.70	Standard
M934-04-B	M4-0.70	Brass
M934-05-50	M5-0.80	Standard
M934-06-60	M6-1.00	Standard
M934-06-64	M6-1.00	Std. (green)
M6923-06-80	M6-1.00	Spirallock
M982-06-80	M6-1.00	Elastic Stop
M934-08-60	M8-1.25	Standard
M6923-08-80	M8-1.25	Spirallock
M982-08-80	M8-1.25	Elastic Stop
M934-10-60	M10-1.50	Standard
M934-10-60F	M10-1.25	Standard
M6923-10-80	M10-1.50	Spirallock
M6923-10-62	M10-1.50	Spirallock†
M982-10-80	M10-1.50	Elastic Stop
M934-12-60	M12-1.75	Standard
M934-12-60F	M12-1.25	Standard
M6923-12-80	M12-1.75	Spirallock
M982-12-80	M12-1.75	Elastic Stop
M982-14-60	M14-2.00	Elastic Stop
M6923-16-80	M16-2.00	Spirallock
M982-16-80	M16-2.00	Elastic Stop
M934-18-80	M18-2.5	Standard
M982-18-60	M18-2.50	Elastic Stop
M934-20-80	M20-2.50	Standard
M982-20-80	M20-2.50	Elastic Stop
M934-22-60	M22-2.50	Standard
M934-24-80	M24-3.00	Standard
M982-24-60	M24-3.00	Elastic Stop
M934-30-80	M30-3.50	Standard

Washers

Part No.	ID	OD	Thick.	Bolt/ Screw
M125A-03-80	3.2	7.0	0.5	M3
M125A-04-80	4.3	9.0	0.8	M4
M125A-05-80	5.3	10.0	1.0	M5
M125A-06-80	6.4	12.0	1.6	M6
M125A-08-80	8.4	16.0	1.6	M8
M125A-10-80	10.5	20.0	2.0	M10
M125A-12-80	13.0	24.0	2.5	M12
M125A-14-80	15.0	28.0	2.5	M14
M125A-16-80	17.0	30.0	3.0	M16
M125A-18-80	19.0	34.0	3.0	M18
M125A-20-80	21.0	37.0	3.0	M20
M125A-24-80	25.0	44.0	4.0	M24

† This metric hex nut's hardness is grade 8.

TP-6987 3/16

© 2016 by Kohler Co. All rights reserved.

KOHLER[®] Power Systems

KOHLER CO. Kohler, Wisconsin 53044
Phone 920-457-4441, Fax 920-459-1646
For the nearest sales/service outlet in the
US and Canada, phone 1-800-544-2444
KOHLERPower.com

Kohler Power Systems
Asia Pacific Headquarters
7 Jurong Pier Road
Singapore 619159
Phone (65) 6264-6422, Fax (65) 6264-6455