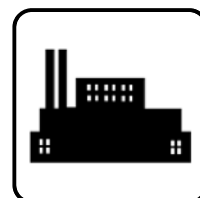


Service Parts

Engine



Engine Model:

General Motors 4.3 L Powertrain EPA Certified Engines

Generator Models:

25/30REZGB

38RCL

40/45REZG

40/45ERES

KOHLER[®]
Power Systems

ISO 9001
KOHLER
POWER SYSTEMS
NATIONALLY REGISTERED

TP-6730 7/12c

Table of Contents

Description	Page
Introduction	3
Number System Significance	3
Illustrations	3
How to Find Part Numbers	3
Hardware References	3
Model Index	4
1-1: Dipstick	5
1-2: Starter	6
1-3: Fan Spacer	7
1-4: Lifting Eye, Idler, Belt	8
1-5: Flywheel Adapter	10
1-6: Flywheel/Housing	11
1-7: Exhaust Manifold	12
1-8: Exhaust Pipe	13
1-9: Thermostat	14
1-10: High Voltage Switch (HVS)	15
1-11: Electrical	16
1-12: Ignition System	17
1-13: Fuel System	18
1-14: Pulley Assembly	19
1-15: Alternator	20
2-1: Engine Block/Lower End	22
2-2: Engine Head/Upper End	24

Introduction

This manual lists service replacement parts for General Motors 4.3L engines.

Information in this publication represents data available at the time of print. Kohler Co. reserves the right to change this publication and the products represented without notice and without any obligation or liability whatsoever.

This manual includes the following main sections:

Table of Contents. Lists the sections of the manual.

Introduction (and other information sections). Contains introductory material about part numbers, illustrations, and hardware.

Index. Lists the engine models and groups.

Group Parts Lists. List the part numbers of parts in the groups.

Numbering System Significance

This manual uses the following numbering systems:

Model. The product identification number located on the nameplate. Engines break down into groups.

Group Number. A unique number representing a parts group needed to assemble a generator set function. For example, Group 1-2 is the Starter group.

Part Number. The part number identifies an individual assembly, subassembly, component, or accessory kit.

Illustrations

Illustrations (or exploded-view drawings) best representing the widest range of variations accompany most groups in this manual. Illustrations do not depict all details and may not show all parts. Do not substitute illustrations for assembly or disassembly.

How to Find Part Numbers

Use the following steps to locate a service replacement part.

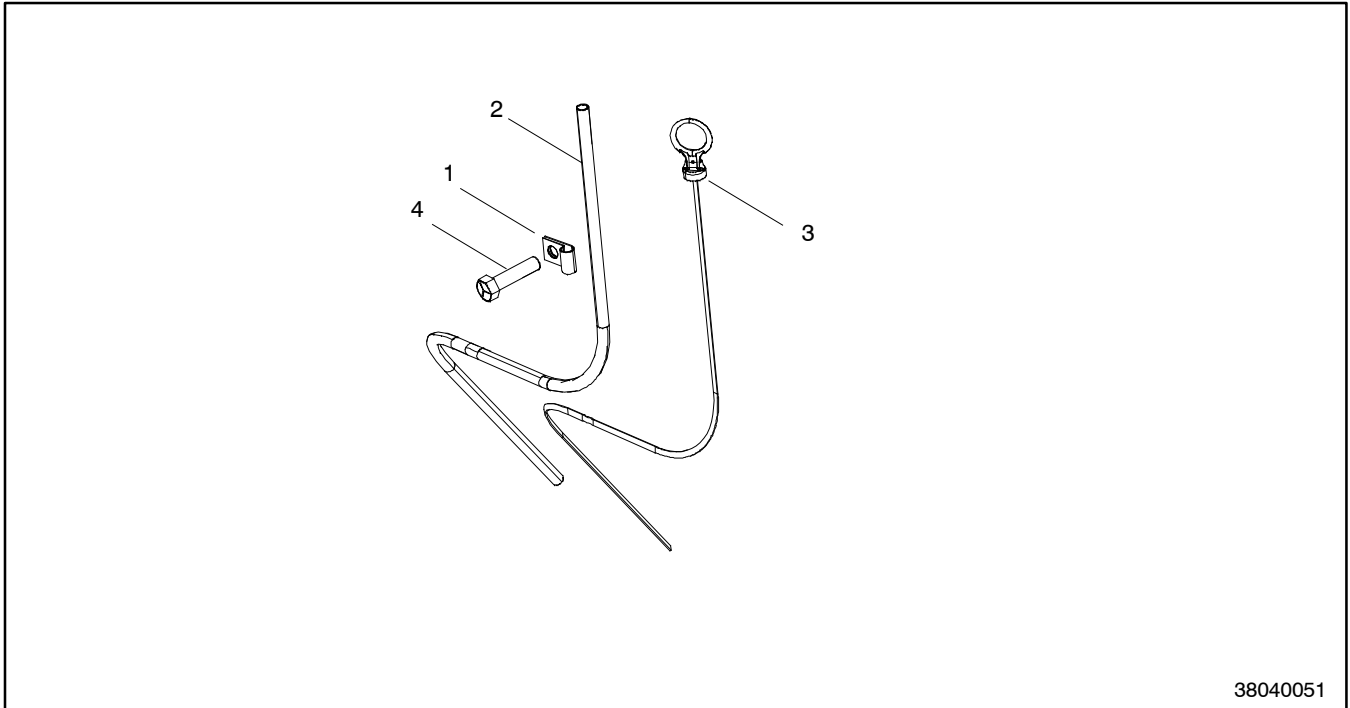
1. Locate the nameplate to **identify the model number**.
2. **Turn to the Model Index.** The first column identifies the groups of parts that make up the engine. The headings identify the models.
3. **Find the group variation number** at the intersection of the group row and the model column. Note the variation number.
4. **Page forward to locate the group and variation** identified above or find the appropriate page in the Table of Contents.
5. **Find the part on the illustration** and note the item number of the part or **find the part description in the parts list**.

Model Index

Group Description	Variation		
	Model		
	38RCL	25/30REZGB 40REZG	45REZG
1-1: Dipstick	38040051	38040051	38040051
1-2: Starter	38040363	38040363	38040363
1-3: Fan Spacer	-	38040622	38040622
1-4: Lifting Eye, Idler, Belt	38050356	38050332	38050332
1-5: Flywheel Adapter	38030121	38030121	38030121
1-6: Flywheel/Housing	38040202	38040202	38040202
1-7: Exhaust Manifold	38040802	38040802	38040802
1-8: Exhaust Pipe	38040831	38040831	38040831
1-9: Thermostat	38040638	38040638	38040638
1-10: High Voltage Switch (HVS) Coil & Distributor	38040366	38040366	38040366
1-11: Electrical	38040377	38040377	38040377
1-12: Ignition System	38040379	38040379	38040379
1-13: Fuel System	38040489	38040489	38040489
1-14: Pulley Assembly	38041427	38041427	38041427
1-15: Alternator	38050308	38050308	38050308
2-1: Engine Block/Lower End	4.3 L	4.3 L	4.3 L
2-2: Engine Head/Upper End	4.3 L	4.3 L	4.3 L

1-1: Dipstick

Variation: 38040051



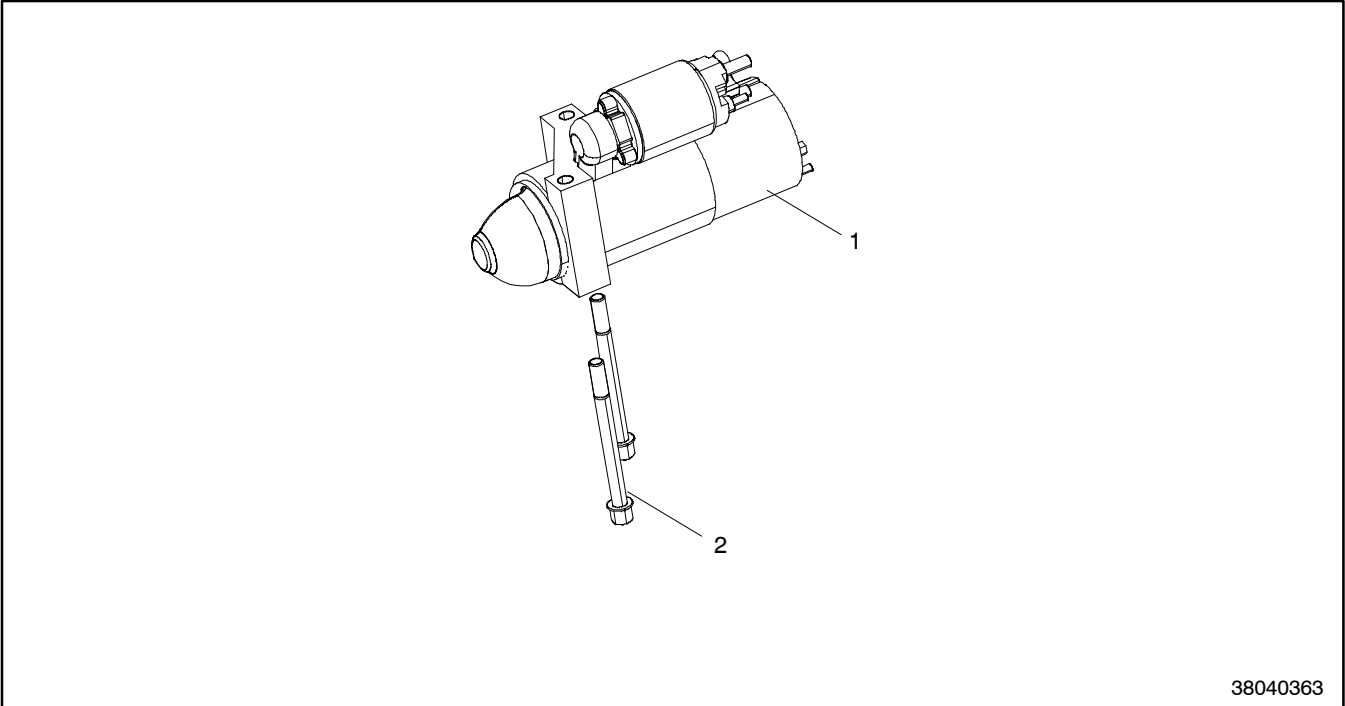
38040051

Item	Part No.	Description	Qty.
1	GM75221	Clamp, Dipstick	1
2	GM75129	Tube, Dipstick	1
3	GM16117	Dipstick, oil 4.3L	1
4	#	Bolt 1/4-20x5/8 Flange Hd Ser	1

Common hardware; procure locally.

1-2: Starter

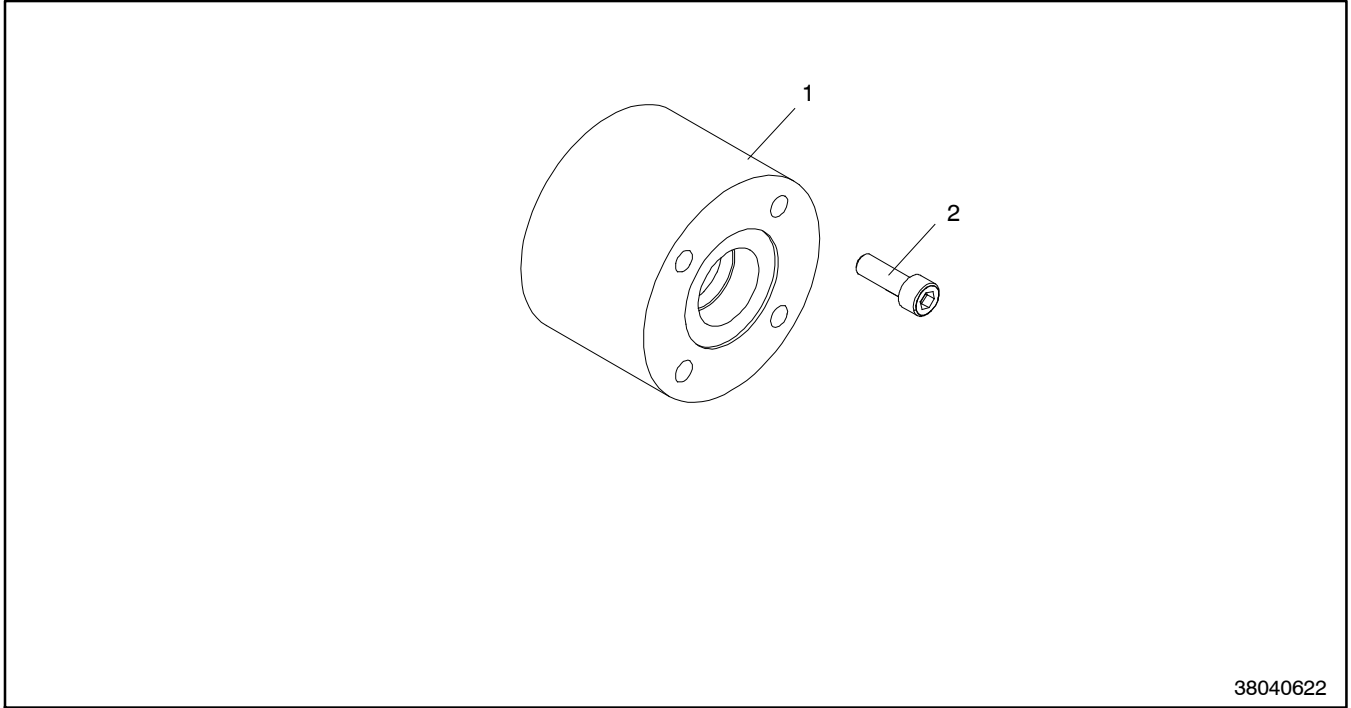
Variation: 38040363



Item	Part No.	Description	Qty.
1	GM94038	Starter	1
2	GM17378	Bolt, starter	2

1-3: Fan Spacer

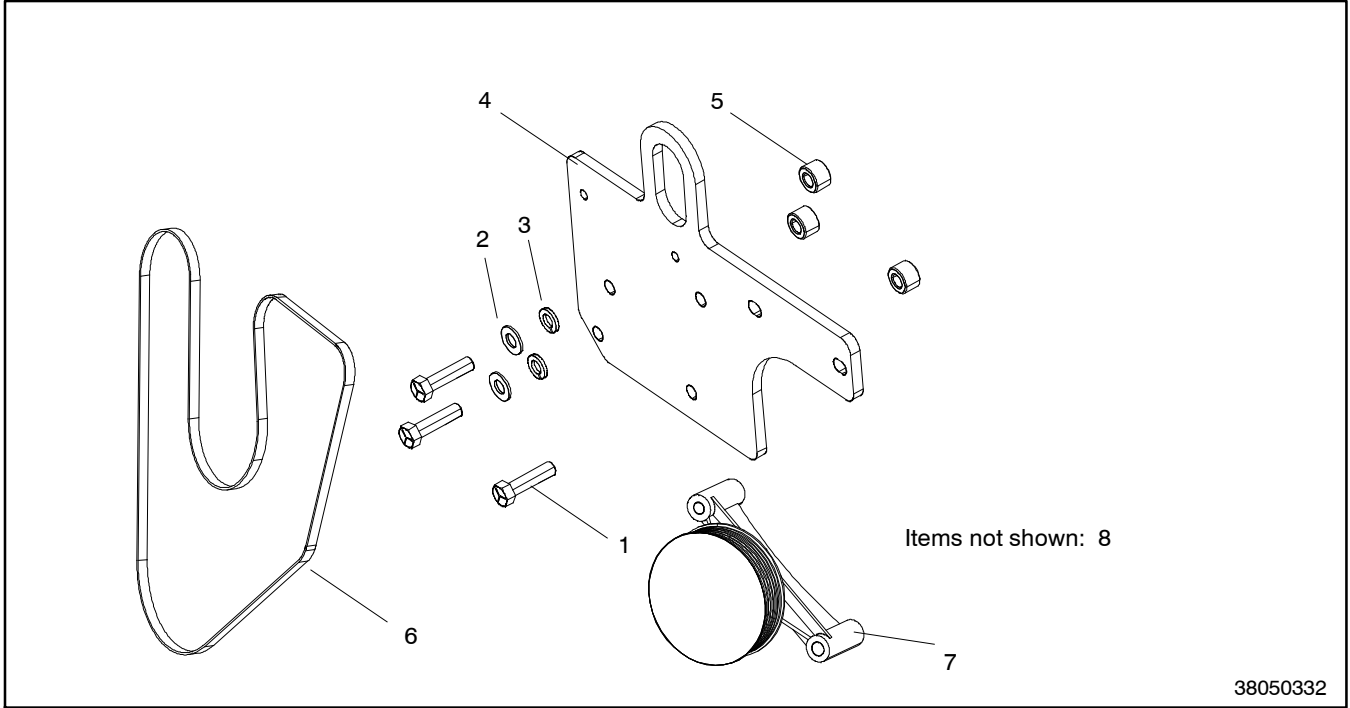
Variation: 38040622



Item	Part No.	Description	Qty.
1	GM51969	Spacer, fan	1
2	GM51970	Bolt, Fan	4

1-4: Lifting Eye, Idler, Belt

Variation: 38050332

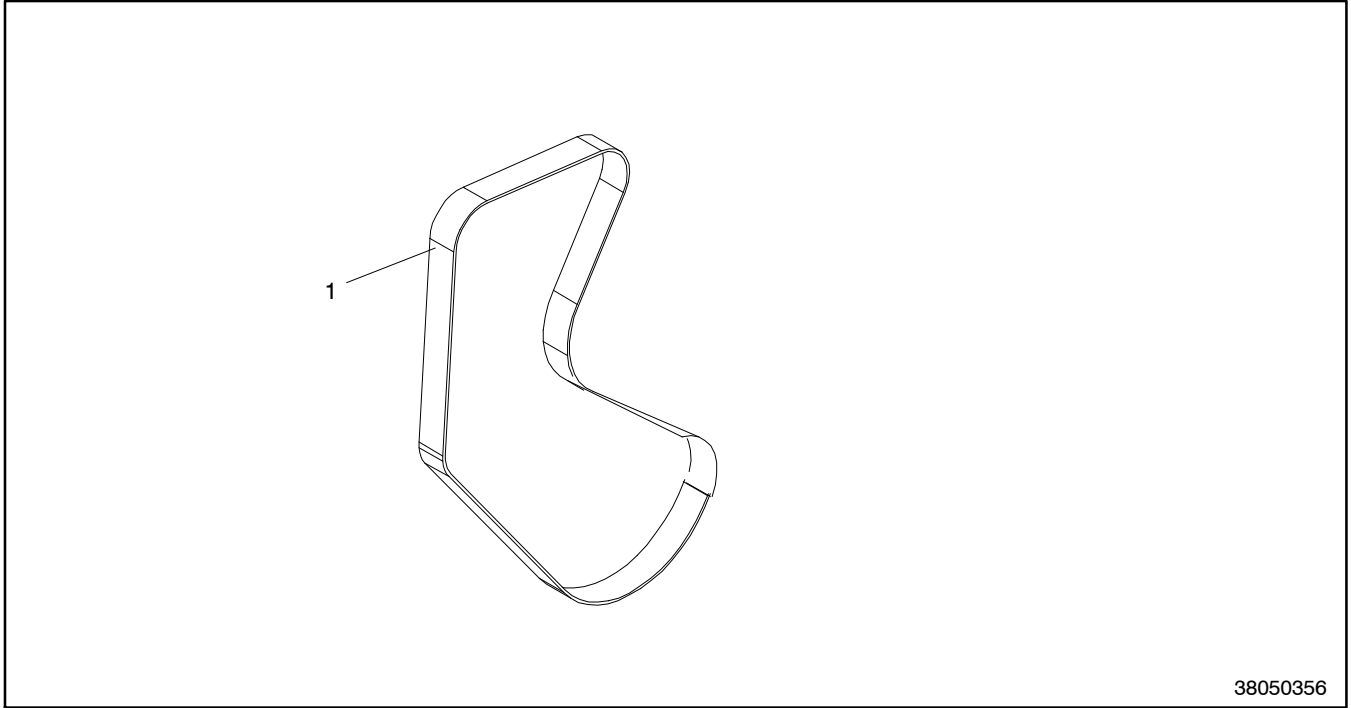


Item	Part No.	Description	Qty.
1	#	Bolt, 3/8-16 x 1 1/2 HxHd Gr 5	3
2	GM69516	Washer, 3/8	4
3	GM24190	Washer, flat 3/8 SAE	4
4	GM16172	Bracket, exhaust/lifting eye	1
5	GM16173	Spacer, .75 OD x .38 ID x .50	3
6	GM16132	Belt, fan standard	1
7	GM16123	Bracket, pulley	1
8	GM25974	Nut, 3/8-16	1

Common hardware; procure locally.

1-4: Lifting Eye, Idler, Belt

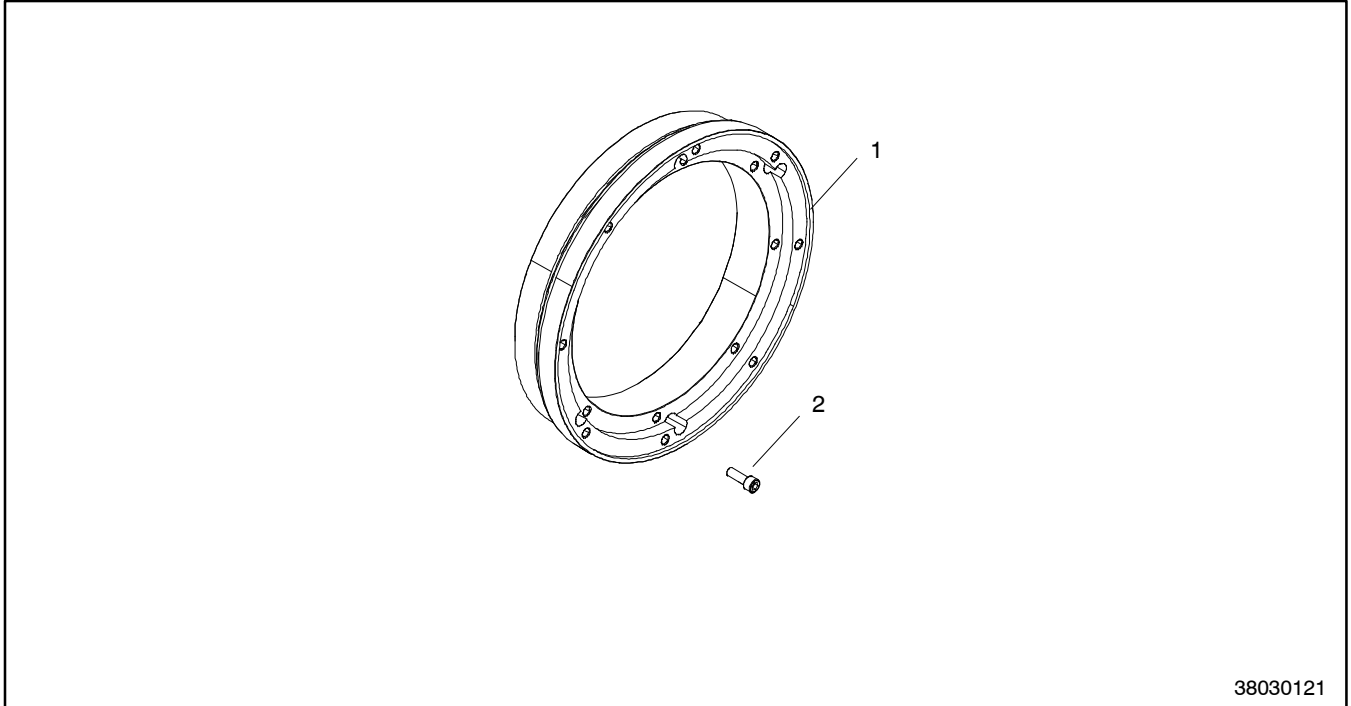
Variation: 38050356



Item	Part No.	Description	Qty.
1	GM85017	Belt, Alt	1

1-5: Flywheel Adapter

Variation: 38030121

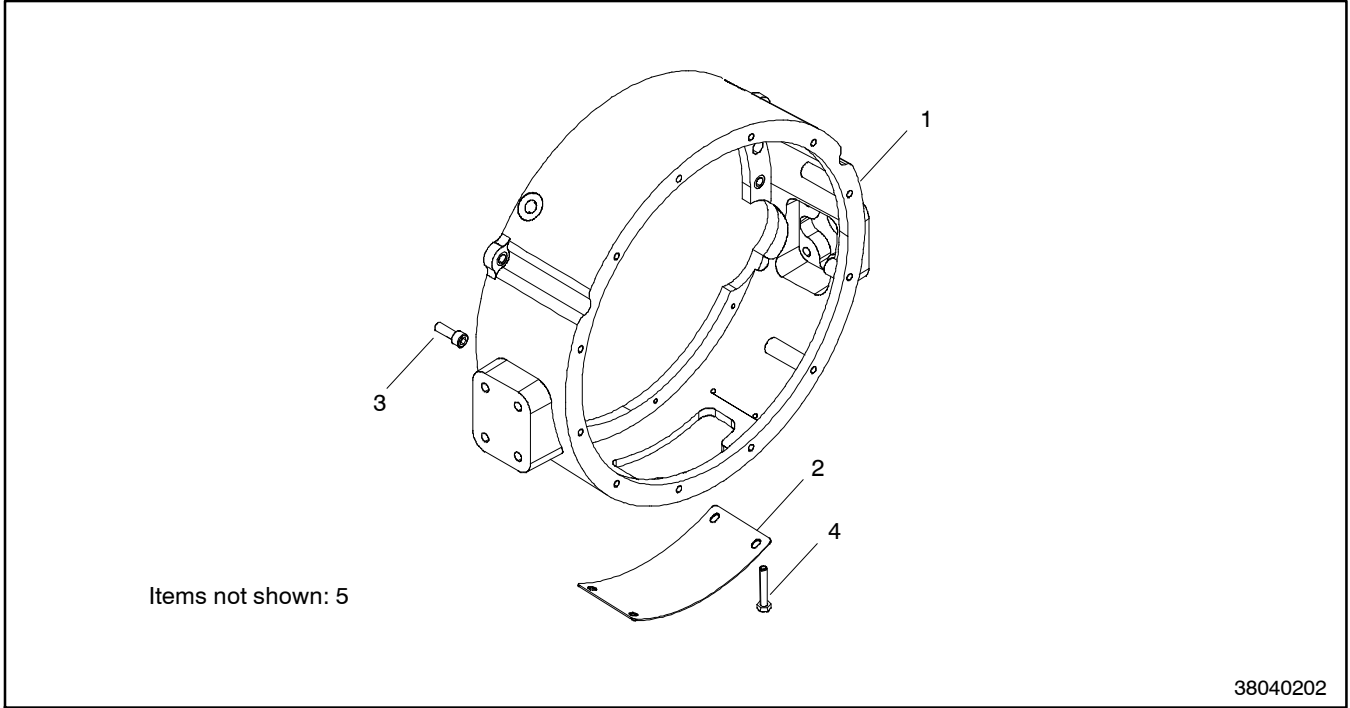


Item	Part No.	Description	Qty.
1	GM75115	Adapter	1
2	#	Bolt, 3/8-16 x 2 Skt Hd Gr8	4

Common hardware; procure locally.

1-6: Flywheel/Housing

Variation: 38040202

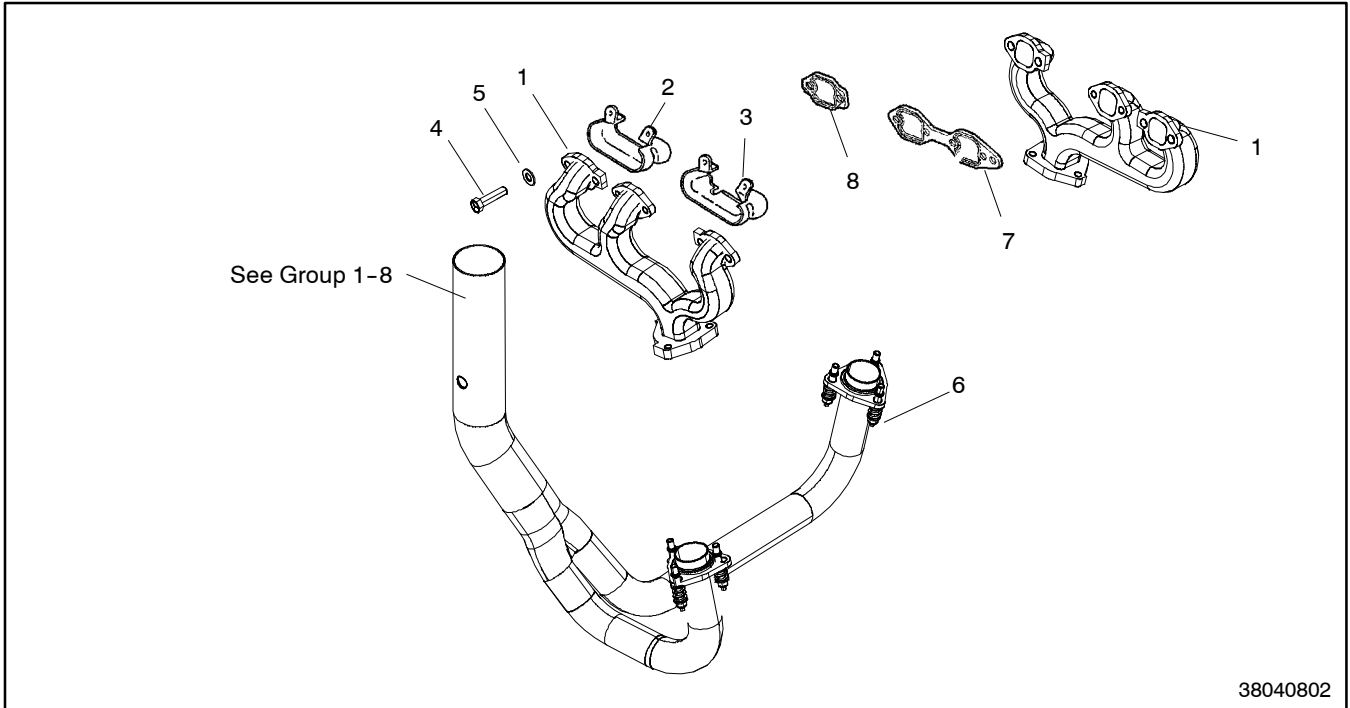


Item	Part No.	Description	Qty.
1	GM75116	Housing, SAE3 Universal	1
2	GM75114	Plate, Cover F/W	1
3	GM75198	Bolt, M10-1.50 x 30 SkHd Gr8.8	6
4	#	Bolt, 1/4-20x1/2 Flange Hd Ser	4
5	#	Bolt, 5/8-18 x 1 HxHd Zinc	1

Common hardware; procure locally.

1-7: Exhaust Manifold

Variation: 38040802

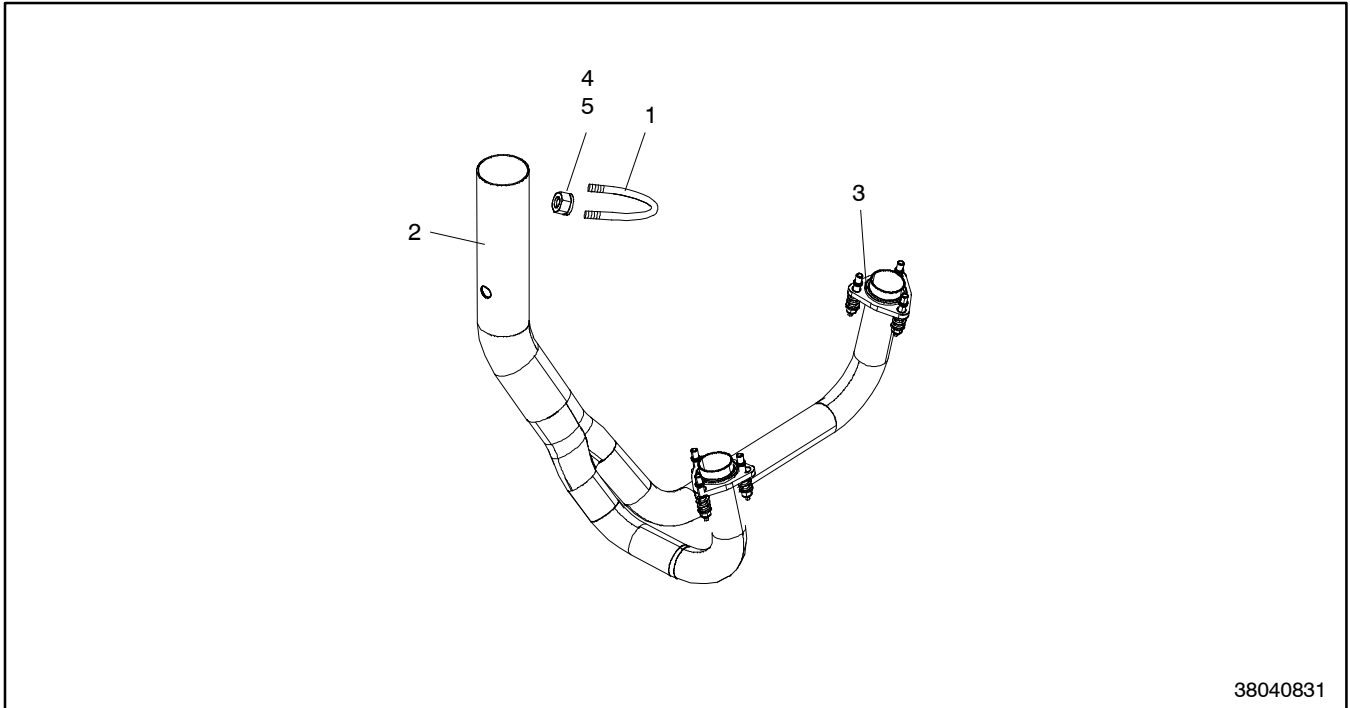


38040802

Item	Part No.	Description	Qty.
1	GM16198	Manifold, exhaust	2
2	GM16221	Shield, heat exhaust (1 wire)	2
3	GM16217	Shield, heat exhaust (2 wire)	2
4	GM16224	Bolt, 3/8-16 x 2 hex hd grade 5	12
5	GM16225	Washer, flat 3/8" (hardened)	12
6	GM75178	Kit, Exhaust Hardware (includes 3 nut, stud, spring)	2
7	GM75180	Gasket, Exh Manifold (dual)	2
8	GM75179	Gasket, Exh Manifold (single)	2

1-8: Exhaust Pipe

Variation: 38040831



38040831

Item	Part No.	Description	Qty.
1	GM16145	Clamp, muffler 3"	1
2	GM16208	Pipe, Y	1
3	GM16215	Seal, exhaust	2
4	GM24190	Washer, flat 3/8 SAE	2
5	#	Nut, Lock 3/8-16 w/o Nyl Instrt	2

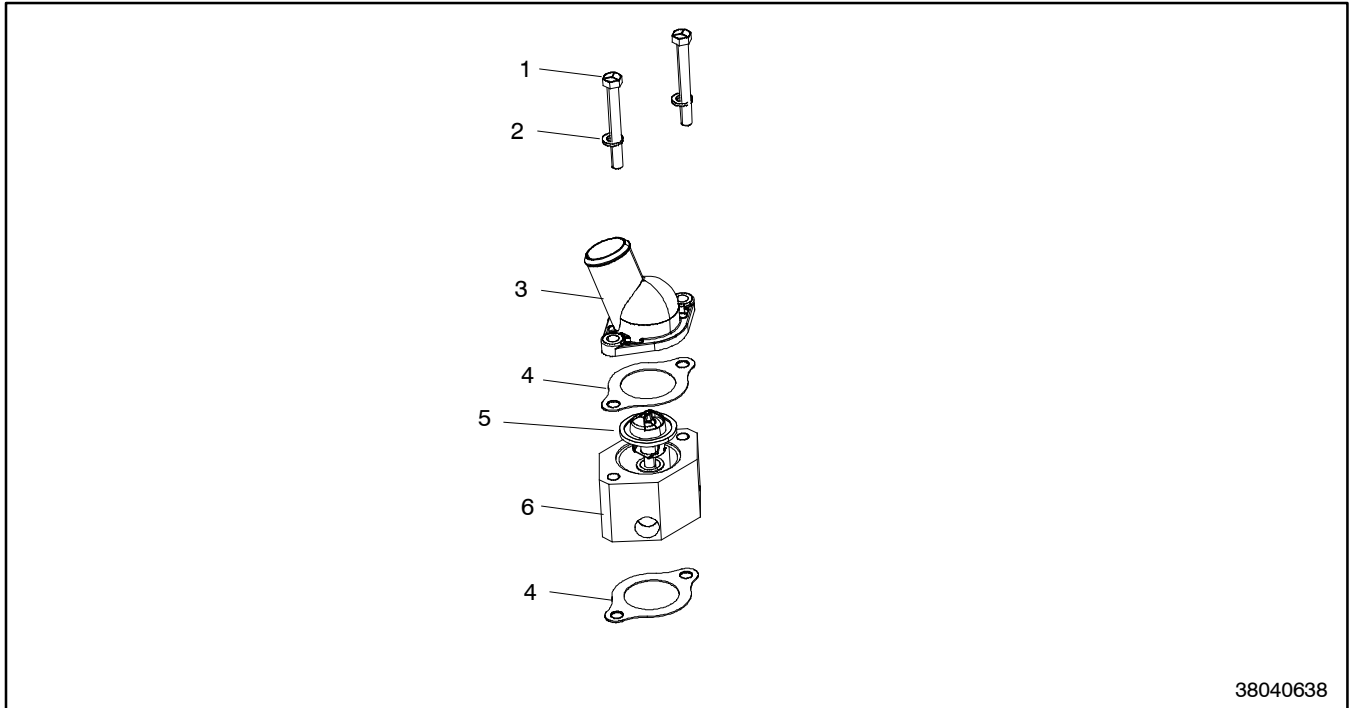
38RCL

Item	Part No.	Description	Qty.
2	-	Pipe (see generator set manual)	1
3	GM16215	Seal, exhaust	2

Common hardware; procure locally.

1-9: Thermostat

Variation: 38040638



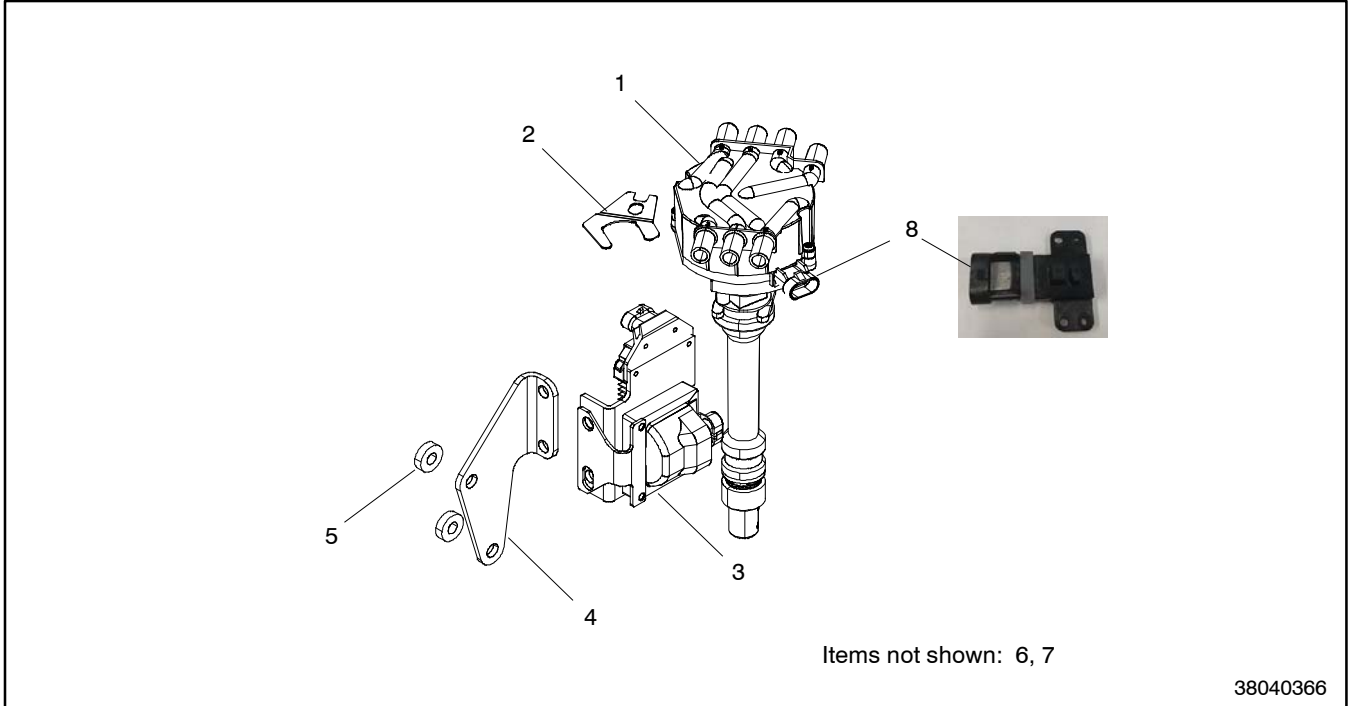
38040638

Item	Part No.	Description	Qty.
1	#	Bolt, 3/8-16 x 3 1/4 HxHd Gr.5	2
2	GM69516	Washer, 3/8	2
3	GM16120	Cover, thermostat	1
4	GM16536	Gasket, water outlet	2
5	GM16537	Thermostat, engine cooling	1
6	GM16148	Spacer, thermostat cover	1

Common hardware; procure locally.

1-10: High Voltage Switch (HVS)

Variation: 38040366

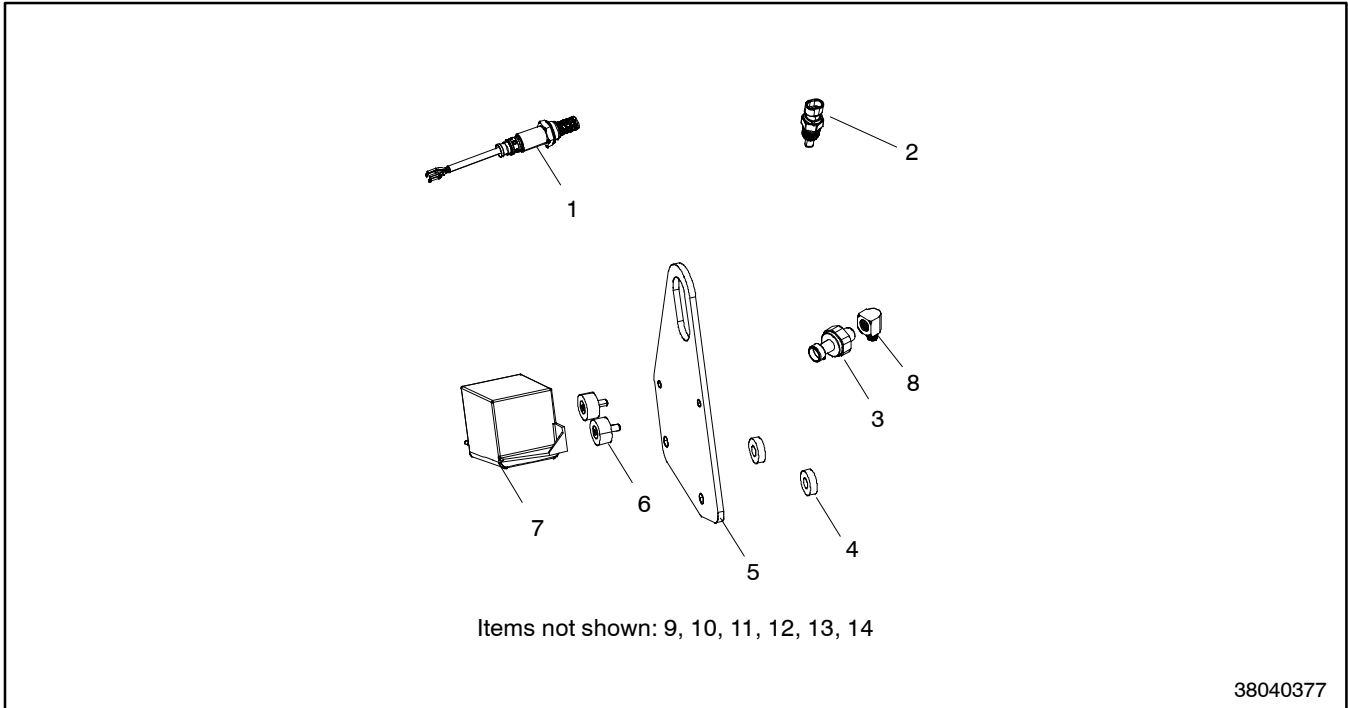


Item	Part No.	Description	Qty.
1	GM75154	Distributor, HVS Ignition (includes item 8)	1
2	GM75161	Yoke, HVS Dist Alignment	1
3	GM75164	Coil, Ignition HVS	1
4	GM75163	Bracket, Ignition coil	1
5	GM16225	Washer, flat 3/8" (hardened)	2
6	GM72321	Bolt, M8-1.25 x 20 flange head	2
7	#	Bolt, 3/8-16x1 Flange Hd Ser	2
8	GM90538	Camshaft Position Sensor (part of item 1)	1

Common hardware; procure locally.

1-11: Electrical

Variation: 38040377

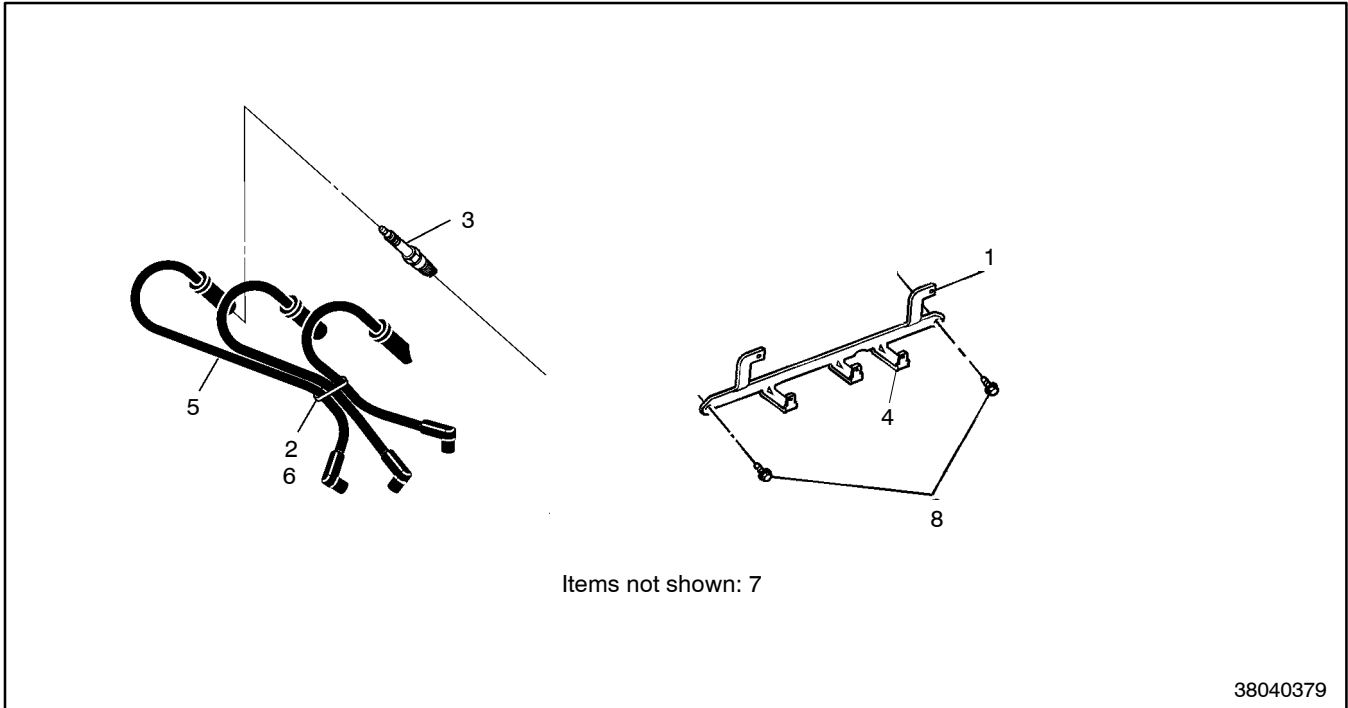


Item	Part No.	Description	Qty.
1	GM72292	Sensor, O2	1
2	GM29608	Sensor, coolant	1
3	GM72303	Sender, oil pressure	1
4	GM16225	Washer, flat 3/8" (hardened)	2
5	GM75144	Bracket, Lifting Eye	1
6	GM29604	Isolator, relay box	2
7	GM75138	Harness Stationary, IEPR	1
8	GM75220	Oil Pressure Fitting	1
9	GM24341	Fitting	1
10	GM75103	Nut, Flange 1/4-20 Serrated	2
11	#	Washer, Star 3/8	1
12	#	Bolt, 3/8-16x3/4 Flange Hd Ser	1
13	#	Bolt, 1/4-20x3/8 Flange Hd Ser	2
14	#	Bolt, 3/8-16x1 Flange Hd Ser	2

Common hardware; procure locally.

1-12: Ignition System

Variation: 38040379

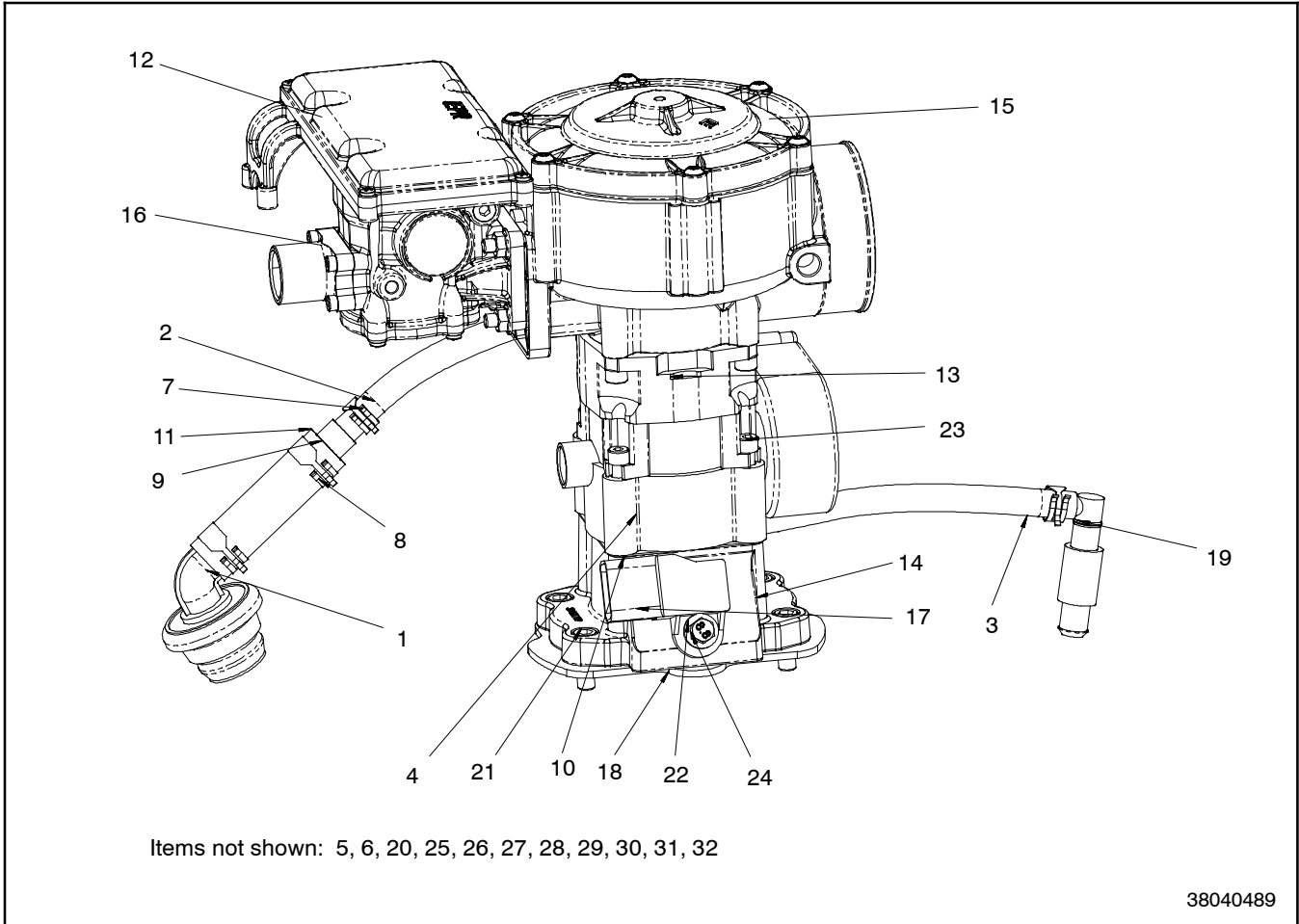


Item	Part No.	Description	Qty.
1	GM16151	Retainer, spark plug wire (3)	2
2	GM16155	Retainer, spark plug wire	2
3	GM22171	Spark plug	6
4	GM75153	Retainer, 1 Wire Spark Plug	6
5	GM75156	Wires, Spark Plug HVS	1
6	GM75157	Retainer, Spark Plug Wire(3)	2
7	GM75160	Loom, Split 1/4" 46 in.	1
8	#	Bolt, 1/4-20x1/2 Flange Hd Ser	4

Common hardware; procure locally.

1-13: Fuel System

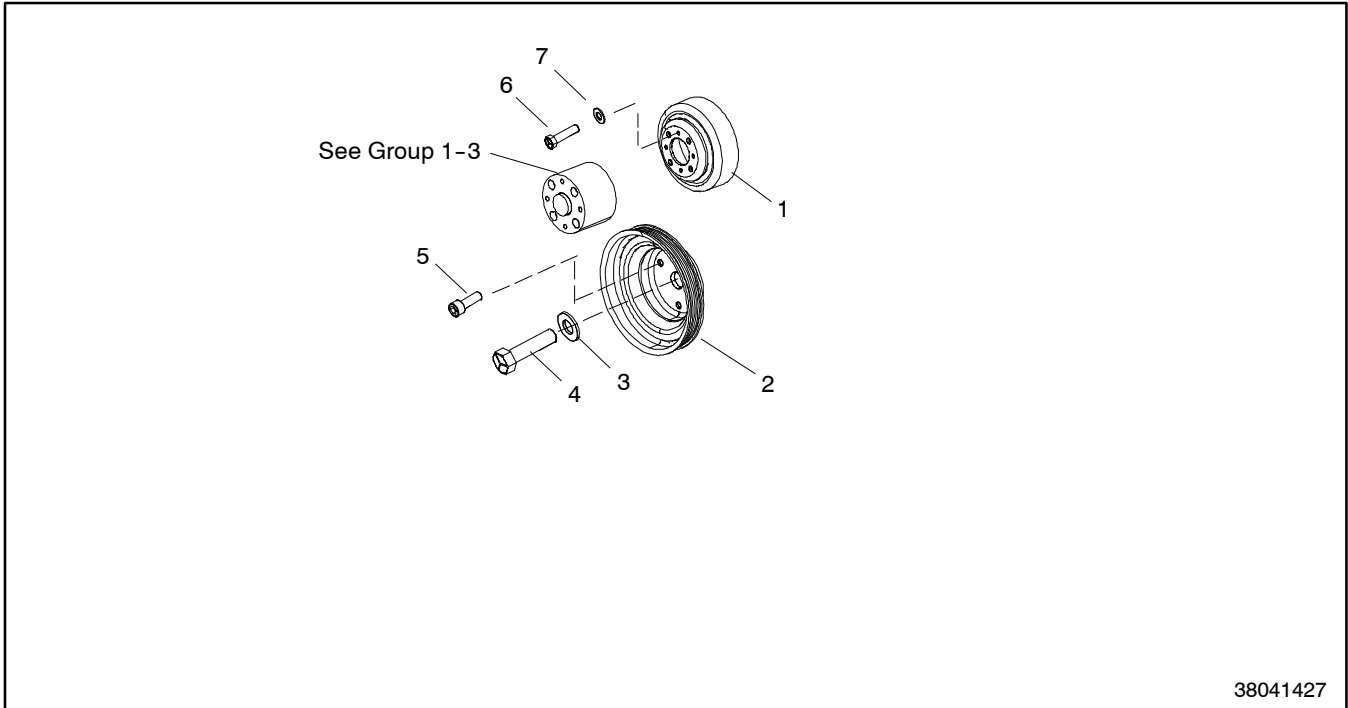
Variation: 38040489



Item	Part No.	Description	Qty.	Item	Part No.	Description	Qty.
1	GM16157	Elbw, PCV sys 5/8 in. 45 deg.	1	16	GM75618	Adapter, EPR, 3/4 NPT	1
2	GM42579	Hose, fuel 3/8 in.	1	17	GM69511	Sensor, 1 bar TMAP	1
3	GM42579	Hose, fuel 3/8 in.	1	18	GM17380	Gasket, manifold	1
4	GM29586	Valve, throttle, 60 mm	1	19	GM69512	Elbow, PCV	1
5	GM28918	Fitting, 1/8 NPT x 3/8 in.	1	20	GM69513	Bolt, M6 x 1.0 x 15 skt hd, gr. 8.8	4
6	GM69487	Ftg, 1/8NPT x 3/8 90 deg. elbow nylon	1	21	GM69517	Bolt, 5/16-18 x 3/4 skt hd, gr. 5	4
7	GM69488	Clamp, hose 3/8 (spring type)	4	22	GM69519	Washer, flat, 1/4	1
8	GM69489	Clamp, hose 5/8 (spring type)	2	23	GM47684	Bolt, 1/4-20 x 2 in. skt. hd. gr. 8	4
9	GM69490	Adapter, barb 5/8 to 3/8 nylon	1	24	GM69520	Bolt, M6 x 1.0 x 16 hx hd, gr. 8.8	1
10	GM60238	Gasket, man. adapter venturi	1	25	GM69524	Bolt, M4 x .70 x 16 sht hd	4
11	GM69492	Tube, 0.625 ID x 3 in.	1	26	GM69525	Stud, M6 x 1.0 x 30	4
12	GM69495	EPR assembly	1	27	GM69526	Nut, M6 hex, flanged	4
12	GM72584	EPR assembly (dual fuel)	1	28	GM75148	Ftg, 1/8NPT x 3/8Hs 45 deg.	1
12	GM99159	EPR (38RCL)	1	29	GM69504	O-ring	1
13	GM69498	Throttle adapter	1	30	GM75150	Spacer	1
14	GM69506	Adapter, 4.3L intake to 44mm TB	1	31	GM75151	Screw, Tabulated M4 X 12	2
15	GM69507	Mixer, 4.3L Emissions	1	32	GM16226	Plug, 1/8"	1

1-14: Pulley Assembly

Variation: 38041427



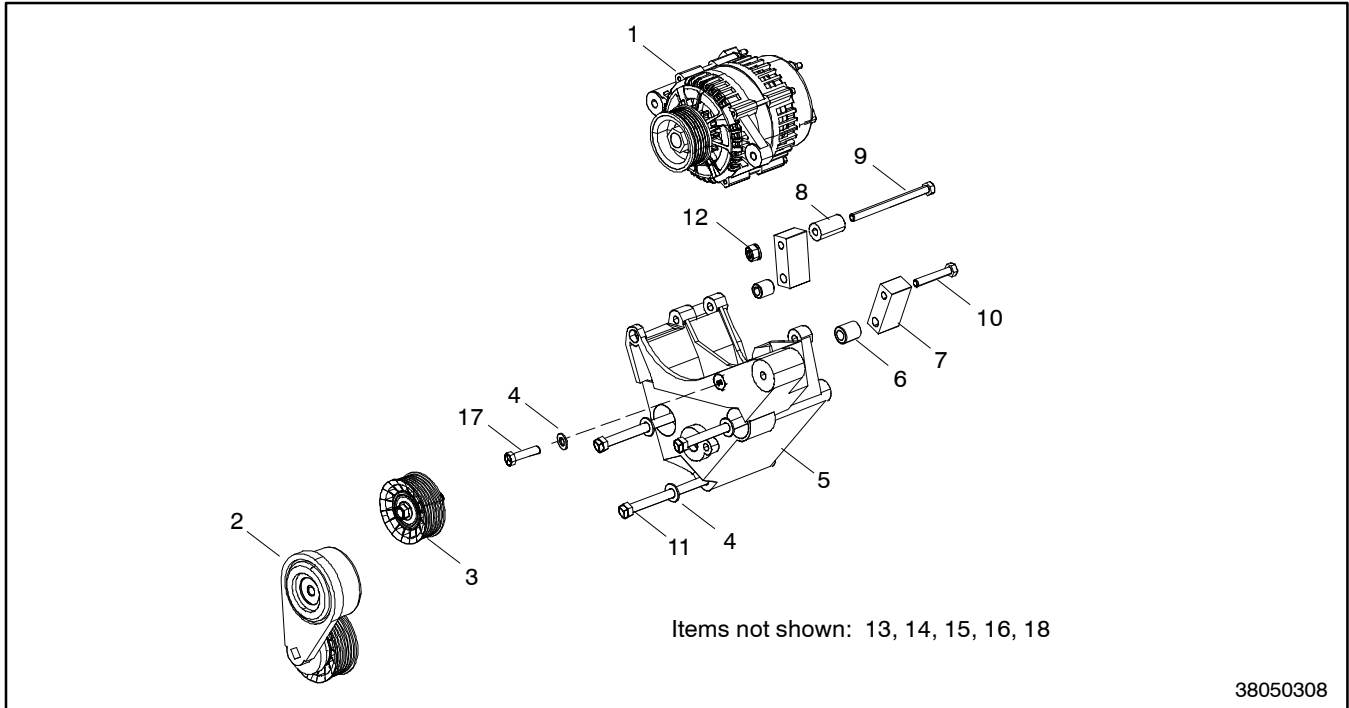
38041427

Item	Part No.	Description	Qty.
1	GM16127	Pulley, fan	1
2	GM16131	Pulley, crankshaft/fan	1
3	GM16130	Washer, crankshaft pulley	1
4	#	Bolt, 7/16-20 x 2 1/4 HxHd Gr8	1
5	#	Bolt, 3/8-24 x 1 SktHd Grade 5	3
6	GM72311	Bolt, M8-1.25 x 20 hxhd gr 8.8	4
7	GM61733	Washer	4

Common hardware; procure locally.

1-15: Alternator

Variation: 38050308



38050308

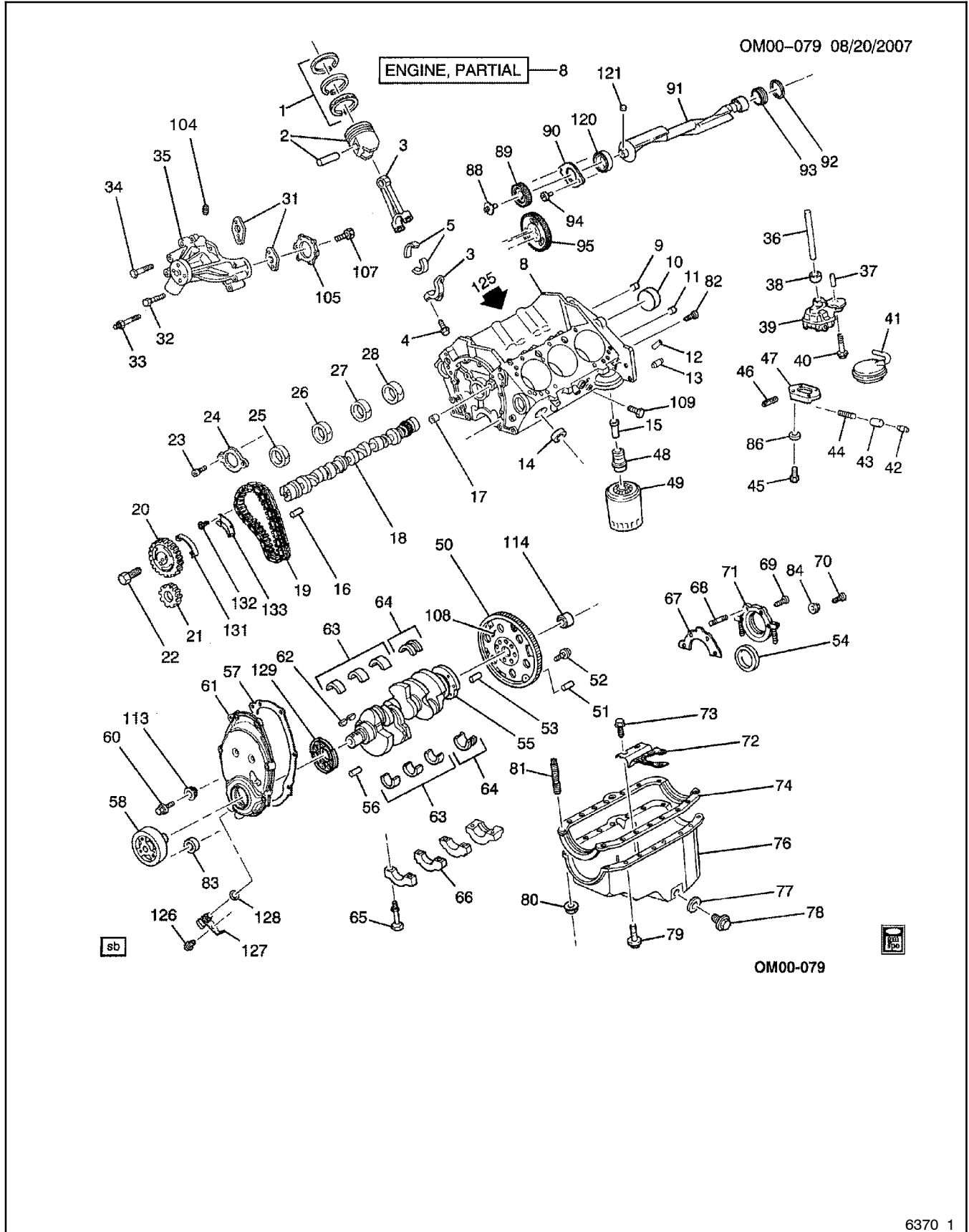
Item	Part No.	Description	Qty.
1	GM16180	Alternator, 70 amp	1
2	GM16126	Pulley, tensioner	1
3	GM16121	Pulley, idler	1
4	GM24190	Washer, flat 3/8 SAE	4
5	GM16122	Bracket, alternator	1
6	GM16181	Spacer, mount, 10 mm	2
7	GM16183	Block, mount	2
8	GM16182	Spacer, mount, 8 mm	1
9	#	Bolt, M8-1.25 x 110 HxHd Gr8.8	1
10	#	Bolt, M8-1.25 x 50 HxHd Gr 8.8	1
11	#	Bolt, 3/8-16 x 4 1/2 HxHd Gr 5	3
12	GM72312	Nut, M8-1.25 flange serrated	1
13	GM61733	Washer	1
14	#	Bolt, M10-1.50 x 90 HxHd Gr8.8	2
15	GM72313	Washer, lock M10	1
16	GM69516	Washer, 3/8	3
17	#	Bolt, M10-1.50 x 85 HxHd Gr8.8	1
18	GM28959	Nut, M6-1.0	1

Common hardware; procure locally.

Notes

2-1: Engine Block/Lower End

Variaton: 4.3 L



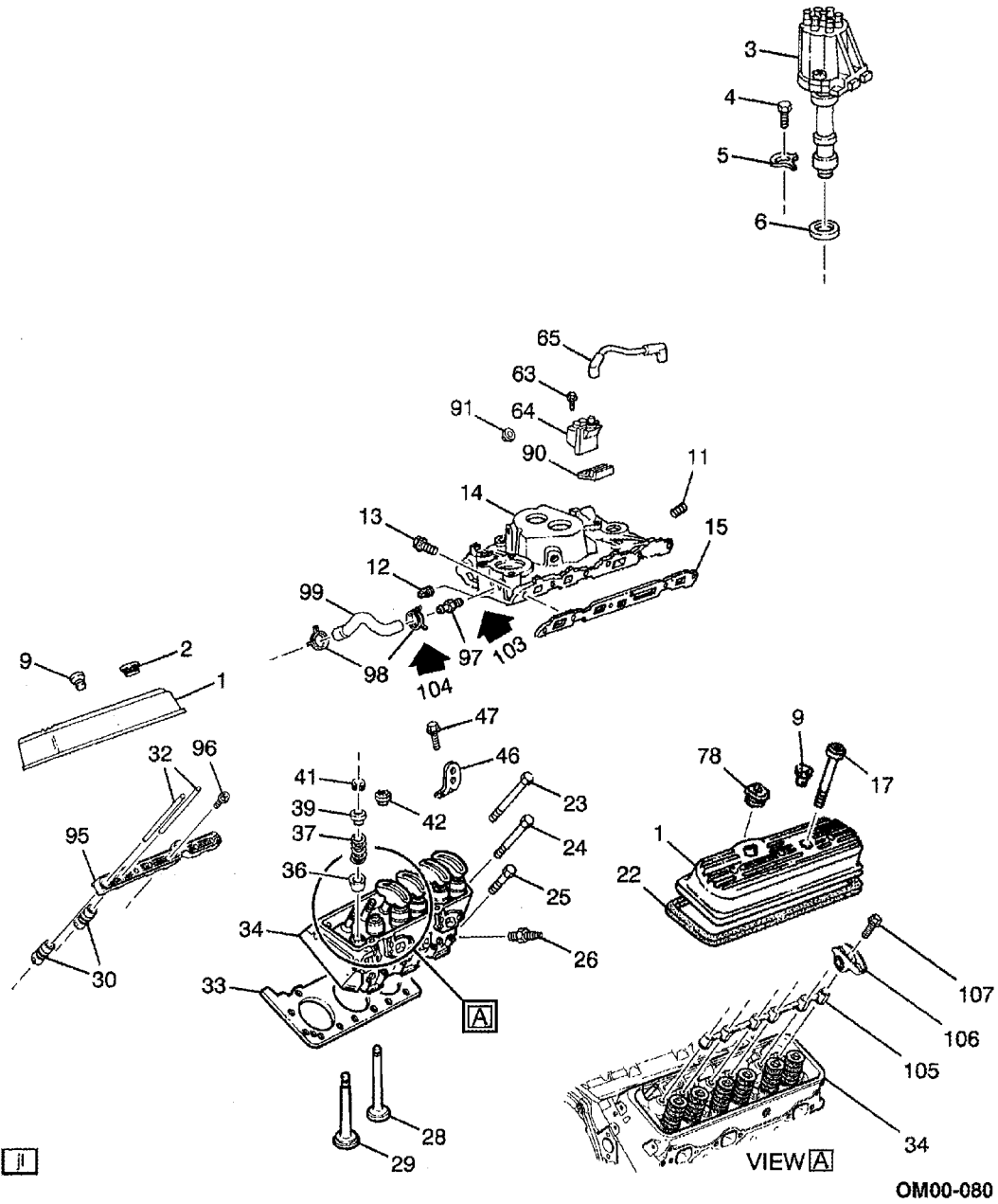
2-1: Engine Block/Lower End

Variaton: 4.3 L

Item	Part No.	Description	Qty.	Item	Part No.	Description	Qty.
1	GM16441	Ring kit, piston std.	6	54	-	Seal, cr/shf rr oil (part of 71)	-
1	GM16444	Ring kit, piston (0.50 mm OS)	6	55	GM16495	Crankshaft, (incl 53)	1
2	GM16442	Piston kit, eng (std)	6	56	GM75003	Pin, eng frt cvr loc	2
2	GM75226	Piston kit, eng (0.127mm OS)	6	57	GM75079	Gasket, eng frt cvr	1
2	GM16445	Piston kit, eng (0.5mm OS)	6	58	GM75021	Balancer, crishf	1
3	GM75271	Rod, conn	6	60	GM75037	Bolt, eng frt	6
4	GM75046	Bolt, conn rod (mj9x1 x43)	16	61	GM75078	Cover, eng frt	1
5	GM75089	Bearing kit, conn rod (std)	6	62	GM16498	Key, crankshaft balancer	1
8		Block, eng (incls:bearing, cm/shf/cap, crishf (only)/bolt, crishf/plug, eng blk core)	1	63	GM75224	Bearing kit, crishf (#1, 2, 3) (std)	3
				64	GM16447	Bearing kit, crankshaft (.001 mm OS)	1
9	GM74998	Plug, eng blk oil gal (rr)	LH	65	GM16588	Bolt, crishf brg cap	10
10	GM16397	Plug, camshaft rear bearing hole	1	66	-	Not sold separately	
11	GM16599	Pin, crnkshft rear oil seal locator	1	67	GM38981	Gasket, crkshft rear oil seal hsg	1
12	GM16547	Pin, cylinder head locator	4	68	GM16389	Stud, crkshft rear oil seal retain	2
13	GM38899	Pin	2	68	GM16389	Stud, cr/shf rr oil seal ret (1/4-20x34)	1
14	GM16585	Plug, eng blk core hole (brass)	1				
15	GM75110	Valve, oll fltr bypass	1	69	GM16505	Bolt, crankshaft rear oil seal housing	2
16	GM75019	Pin, cm/shf spkt	1				
18	GM75065	Camshaft		70	GM16506	Bolt, crankshaft rear oil seal housing	1
19	GM75235	Chain kit, tmg (w/spkts)	1				
20	-	Sprocket, cm/shft (see chain kit)	-	71	GM75081	Housing, crishf rr oil seal (incl 54, 68)	1
21	-	Spricket, cr/shft					
22	GM16593	Bolt, camshaft sprocket	3	72	-	Not sold separately	
23	GM16356	Bolt, camshaft retainer	2	73	GM75026	Bolt, oil pan bfl (m6x1x16, 12.7 od	AR
24	GM16368	Retainer, camshaft	1				
25	GM16431	Bearing, camshaft (#1 posn)	1	74	GM75080	Gasket, oil pan	1
26	GM16432	Bearing, camshaft(#2 posn, Axxxxxxx on housing flange)	1	76	GM75272	Pan, oil (incl 77, 78)	1
26	GM16433	Bearing, camshaft(#2 posn, housing flange is blank)	1	77	GM75088	Seal, oil pan drn plug (o ring) not used	1
27	GM16432	Bearing, camshaft(#3 posn, housing flange is blank)	1	78	-	not used	
27	GM16433	Bearing, camshaft(#3 posn, Axxxxxxx on housing flange)	1	79	GM16602	Bolt, oil pan	10
28	GM16431	Bearing, camshaft (#4 posn)	1	80	-	not used	
31	GM75087	Gasket, w/pmp (part of 35)	2	82	GM16512	Plug, 476 x .31	1
32	GM16462	Bolt, water pump 3/8-16 x 2.12	4	83	GM38955	Seal, cr/shf frt oil	1
33	GM16820	Stud, water pump	RH	84	GM75010	Nut, crishf rr oil seal ret	1
35	GM75236	Pump kit, water	1	86	GM75009	Washer, o/pmp cvr (part of #39)	3
36	GM16589	Shaft, oil pump drive	1	88	GM16359	Bolt, balancer shaft gear	1
37	GM16476	Pin, locator 1/4 x 5/8	2	89	GM75051	Gear kit, balr shf (Incls drive &driven gr)	1
38	GM16583	Retainer, oil pump drive shaft	1				
39	GM16482	Pump, oil (.742 dia. tube)	1	90	GM16357	Retainer, balancer shaft	1
40	GM16347	Bolt, oil pump 7/16-14 x 2 3/8	1	91	GM16392	Balancer, internal	1
41	GM16478	Screen, oil pump	1	92	GM16397	Plug, camshaft rear bearing hole	1
42	GM16580	Plug, oil pressure relief valve bore	1	93	GM75090	Bearing kit, balr shf (incls rr brg, instr sh & spacer)	1
43	GM75227	Valve, oil press rlf (part of 39, 47)	1	94	GM16513	Bolt, balancer shaft retainer	2
44	GM75093	Spring, oil press rlf vlv	1	95	-	See item 89	
45	GM16422	Bolt, oil pump cover	2	104	-	not used	
46	GM16549	Pin, oil press rlf vlv spr st (part of 39, 47)	1	105	GM16483	Gasket, water pump cover	1
47	GM16376	Cover, oil pump	1	107	GM75035	Bolt, w/pmp cvr (1/4-20x 0.62, 0.5 thd)	1
48	GM16503	Fitting, oil filter	1	107	GM16601	Bolt, water pump cover	6
49	GM28351	Filter, oil	1	108	GM75063	Flywheel, eng (incls ring gear)	1
50	GM75008	Gear, flywhl ring (part of 108)	1	109		Plug, eng blk cool drn hole (1/4-18 nptf thd)	1
51	GM75005	Weight, flywhl (barrel-shaped pin, .625" long)	AR	113	GM16388	Grommet, engine front cover	6
51	GM74996	Weight, flywhl (pin groove) (barrel-shaped pin (groove-f)	AR	114	GM75062	Bearing, clu pilot	1
52	GM75047	Bolt, flywhl (7/16-20 x 31/32)	6	120	GM16355	Bearing, balancer shaft front	1
53	GM75013	Pin, flywhl loc	1	121	-	See item 91	
				126	-	Bolt, gr/shf posn sen	
				127	GM75082	Sensor, cr/shf posn	1
				131	GM75264	Shoe, tmg chain tensr	1
				132	GM16513	Bolt, balancer shaft retainer	1
				133	GM75263	Bracket, tmg belt tensr	1

2-2: Engine Head/Upper End

Variaton: 4.3 L



2-2: Engine Head/Upper End

Variaton: 4.3 L

Item	Part No.	Description	Qty.	Item	Part No.	Description	Qty.
1	GM16470	Cover, valve rocker arm	RH	34	GM16486	Head, cylinder	2
1	GM75265	Cover, vlv rkr arm	LH	36	GM16385	Seal, intake valve stem oil	6
2	GM75066	Cap, oil fil	1	37	GM16386	Spring, valve (w/o damper)	12
3	-	See Group 1-10		39	GM16385	Seal, intake valve stem oil	6
4	-	See Group 1-10		39	GM16496	Seal, exh vlv stem oil	6
5	-	See Group 1-10		41	GM16529	Key, valve stem	24
6	-	See Group 1-10		42	GM16402	Cap, valve spring	12
9	GM16381	Grommet, valve rocker arm cover	1	46	-	not used	
				47	-	not used	
11	GM16510	Plug, 3/8-18 x .42	AR	63	-	not used	
12	GM75045	Plug	AR	64	-	See Group 1-10	
13	GM16454	Bolt, intake manifold	8	65	-	See Group 1-11	
14	GM75085	Manifold, int	1	78	GM16396	Grommet, PCV valve	1
15	GM16448	Gasket kit, int manif (incls 2 intake manifold gaskets)	1	-	-	not used	
17	GM16382	Bolt, valve rocker arm cover	6	95	GM16459	Guide, valve lifter push rod	2
22	GM16383	Gasket, valve rocker arm cover	2	96	GM16513	Bolt, balancer shaft retainer	1
23	GM16373	Bolt, cy. hd, lg (7/16-14x3 51/64)	10	96	GM16527	Bolt, valve lifter guide	2
24	GM16374	Bolt, cy. hd, md (7/16-14x3 1/16)	4	97	GM75058	Nipple, htr inl hose	1
25	GM16375	Bolt, cy. hd, short (7/16 x 1 3/4)	10	98	GM75028	Clamp, w/pmp inl hose	2
26	-	See Group 1-12		99	GM75091	Hose, w/pmp inl (incl clamps)	1
28	GM16456	Valve, exhaust (std)	6	105	GM16485	Support, valve rocker arm	2
29	GM16401	Valve, intake standard	6	106	GM75084	Arm, vlv rkr (incl 107)	12
30	GM16524	Lifter, valve	12	107	-	Bolt, vlv rkr arm piv (part of 106)	
32	GM16400	Rod, valve push	12	-	GM75231	Gasket kit, cyl hd	1
33	GM16465	Gasket, cylinder head	2			(2 head gaskets, 2 intake manif gaskets, 12 valve stem seals)	

Notes

Notes

TP-6730 7/12c

© 2010, 2012, 2017 by Kohler Co. All rights reserved.

KOHLER[®] Power Systems

KOHLER CO. Kohler, Wisconsin 53044
Phone 920-457-4441, Fax 920-459-1646
For the nearest sales and service outlet in the
US and Canada, phone 1-800-544-2444
KohlerPower.com

Kohler Power Systems
Asia Pacific Headquarters
7 Jurong Pier Road
Singapore 619159
Phone (65) 6264-6422, Fax (65) 6264-6455