

Engine Serial Number Location

Service Category Engine/Hybrid System

Section Engine Mechanical

Market USA

Lexus Supports
ASE Certification 

Applicability

YEAR(S)	MODEL(S)	ADDITIONAL INFORMATION
2000 – 2003	ES300, RX300	
2004 – 2006	ES330, RX330	
2007 – 2010	ES350, GS350, GS450H, LS460, RX350	
2000 – 2006	GS300	
2000	GS400, LS400, SC300, SC400	
2001 – 2007	GS430	
2008 – 2010	GS460, IS F, LS600H, LX570	
2010	GX460, RX450H	
2003 – 2009	GX470	
2006 – 2010	IS250, IS350	
2001 – 2005	IS300	
2001 – 2006	LS430	
2000 – 2007	LX470	
2006 – 2008	RX400H	
2002 – 2010	SC430	

Engine Serial Number Location

TSIB REVISION NOTICE

- October 20, 2009 Rev1:
 - Applicability has been updated to include 2010 model year vehicles.

Any previous printed versions of this service bulletin should be discarded.

Introduction

The purpose of this TSIB is to assist in the identification and location of engine serial numbers on 2000 – 2010 model year Lexus vehicles.

NOTE

When writing a Field Technical and/or Product Report the serial number of the engine **MUST** be provided.

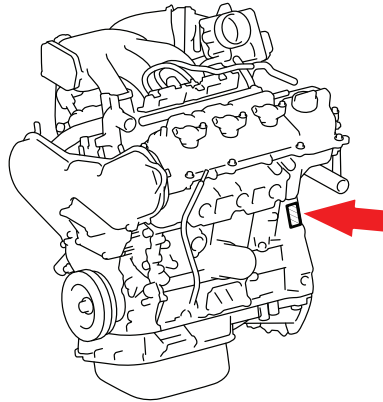
Warranty Information

OP CODE	DESCRIPTION	TIME	OFP	T1	T2
N/A	Not Applicable to Warranty	–	–	–	–

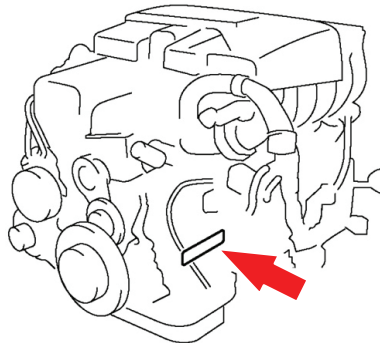
Engine Serial Number Location

Identification Procedure

ENGINE MODEL	MODEL	MODEL YEAR	SERIAL NUMBER
3MZ-FE	ES 330	2004 – 2006	3MZ- 1 ##### 1: Plant Code (1 – 9) #####: 6-Digit Serial Number (0 – 9) Location: On Left Side, Rear of Engine Block (as shown below)
	RX 330		
	RX 400h	2006 – 2008	



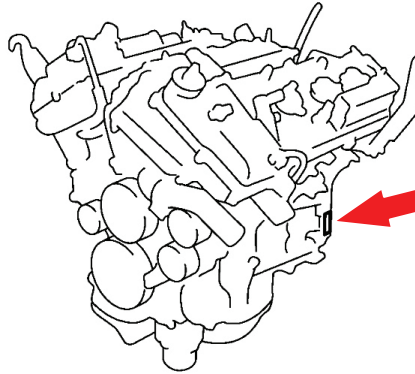
ENGINE MODEL	MODEL	MODEL YEAR	SERIAL NUMBER
2JZ-GE	GS 300	2000 – 2005	2JZ- 1 ##### 1: Plant Code (1 – 9) #####: 6-Digit Serial Number (0 – 9) Location: On Left Side, Front of Engine Block (as shown below)
	IS 300	2001 – 2005	
	SC 300	2000	



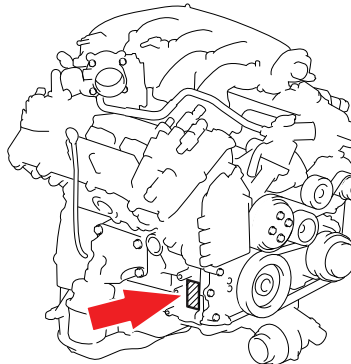
Engine Serial Number Location

Identification Procedure (Continued)

ENGINE MODEL	MODEL	MODEL YEAR	SERIAL NUMBER
2GR-FE	ES 350	2007 – 2010	2GR- 1 ##### 1: Plant Code (1 – 9) #####: 6-Digit Serial Number (0 – 9) Location: On Left Side, Rear of Engine Block (as shown below)
	RX 350		

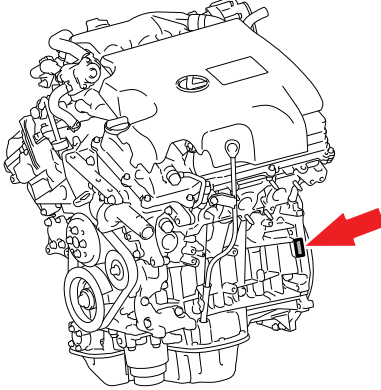


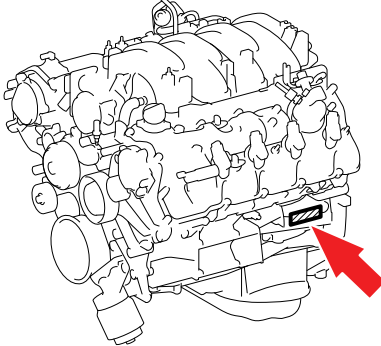
ENGINE MODEL	MODEL	MODEL YEAR	SERIAL NUMBER
2GR-FSE	GS 350	2007 – 2010	2GR- 1 ##### 1: Plant Code (1 – 9) #####: 6-Digit Serial Number (0 – 9) Location: On Right Side, Front of Engine Block (as shown below)
	GS 450h		
	IS 350	2006 – 2010	



Engine Serial Number Location

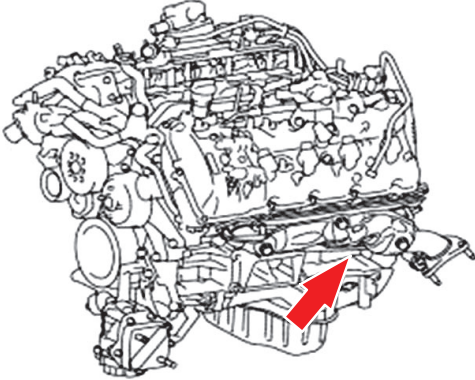
Identification Procedure (Continued)

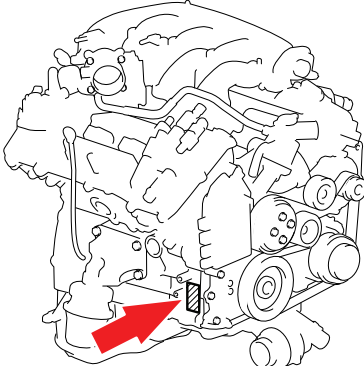
ENGINE MODEL	MODEL	MODEL YEAR	SERIAL NUMBER
2GR-FXE	RX 450h	2010	2GR- 1 ##### 1: Plant Code (1 – 9) #####: 6-Digit Serial Number (0 – 9) Location: Right Front of Engine Block (as shown below)
			

ENGINE MODEL	MODEL	MODEL YEAR	SERIAL NUMBER
1UR-FSE	GS 460	2008 – 2010	1UR- 1 ##### 1: Plant Code (1 – 9) #####: 6-Digit Serial Number (0 – 9) Location: On Left Side, Rear of Engine Block (as shown below)
	LS 460	2007 – 2010	
			

Engine Serial Number Location

Identification Procedure (Continued)

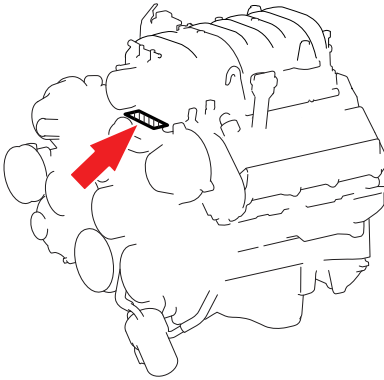
ENGINE MODEL	MODEL	MODEL YEAR	SERIAL NUMBER
1UR-FE	GX 460	2010	1UR- 1 ##### 1: Plant Code (1 – 9) #####: 6-Digit Serial Number (0 – 9) Location: Left Rear of Engine Block, Towards Rear of Engine (as shown below)
			

ENGINE MODEL	MODEL	MODEL YEAR	SERIAL NUMBER
3GR-FSE	GS 300	2006	3GR- 1 ##### 1: Plant Code (1 – 9) #####: 6-Digit Serial Number (0 – 9) Location: On Right Side, Front of Engine Block (as shown below)
			

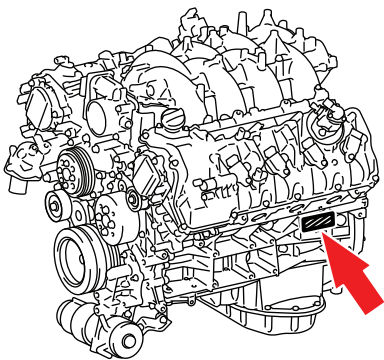
Engine Serial Number Location

Identification Procedure (Continued)

ENGINE MODEL	MODEL	MODEL YEAR	SERIAL NUMBER
2UZ-FE	GX 470	2003 – 2009	2UZ- 1 ##### 1: Plant Code (1 – 9) #####: 6-Digit Serial Number (0 – 9) Location: On Front of Engine Block, Under Intake Manifold (as shown below)
	LX 470	2000 – 2007	

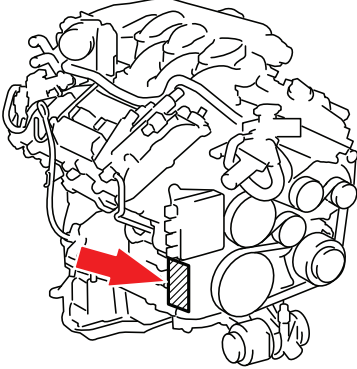


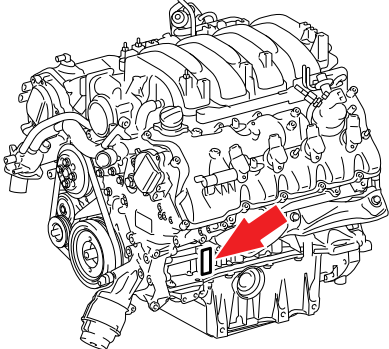
ENGINE MODEL	MODEL	MODEL YEAR	SERIAL NUMBER
2UR-GSE	IS F	2008 – 2010	2UR- 1 ##### 1: Plant Code (1 – 9) #####: 6-Digit Serial Number (0 – 9) Location: On Left Side, Rear of Engine Block (as shown below)



Engine Serial Number Location

Identification Procedure (Continued)

ENGINE MODEL	MODEL	MODEL YEAR	SERIAL NUMBER
4GR-FSE	IS 250	2006 – 2010	4GR- 1 ##### 1: Plant Code (1 – 9) #####: 6-Digit Serial Number (0 – 9) Location: On Right Side, Front of Engine Block (as shown below)
			

ENGINE MODEL	MODEL	MODEL YEAR	SERIAL NUMBER
2UR-FSE	LS 600h	2008 – 2010	2UR- 1 ##### 1: Plant Code (1 – 9) #####: 6-Digit Serial Number (0 – 9) Location: On Left Side, Front of Engine Block (as shown below)
			

Engine Serial Number Location

Identification Procedure (Continued)

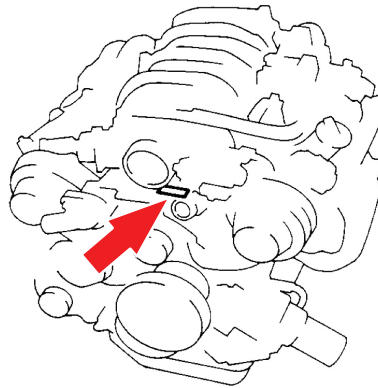
ENGINE MODEL	MODEL	MODEL YEAR	SERIAL NUMBER
3UR-FE	LX 570	2008 – 2010	3UR- 1 ##### 1: Plant Code (1 – 9) #####: 6-Digit Serial Number (0 – 9) Location: On Right Side, Front of Engine Block (as shown below)

ENGINE MODEL	MODEL	MODEL YEAR	SERIAL NUMBER
3UZ-FE	GS 430	2001 – 2007	3UZ- 1 ##### 1: Plant Code (1 – 9) #####: 6-Digit Serial Number (0 – 9) Location: On Front of Engine Block, under Intake Manifold (as shown below)
	LS 430	2001 – 2006	
	SC 430	2002 – 2010	

Engine Serial Number Location

Identification Procedure (Continued)

ENGINE MODEL	MODEL	MODEL YEAR	SERIAL NUMBER
1UZ-FE	GS 400	2000	1UZ- 1 ##### 1: Plant Code (1 – 9) #####: 6-Digit Serial Number (0 – 9) Location: On Front of Engine Block, under Intake Manifold (as shown below)
	LS 400		
	SC 400		



ENGINE MODEL	MODEL	MODEL YEAR	SERIAL NUMBER
1MZ-FE	ES 300	2000 – 2003	1MZ- 1 ##### 1: Plant Code (1 – 9) #####: 6-Digit Serial Number (0 – 9) Location: On Left Side, Rear of Engine Block (as shown below)
	RX 300		

