

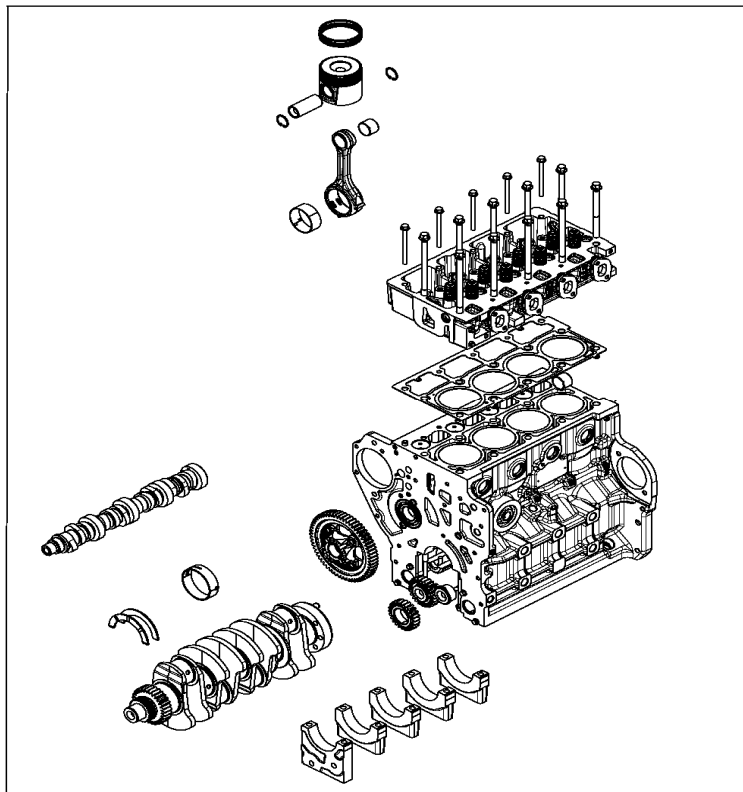
ENGINE TYPE 4024T 2.4L (TF220, TF270, TF280, TF281, HF285, HF295) POWERTECH ENGINE

| | |
|--------------------------------------|--|
| ENGINE TYPE / SERIAL / SERIES | 4024T (2.4L) P.TECH (48-80HP) |
| CYL / BORE (MM) / PIN (MM) | 4 / 86x105mm / 30,00 Pin / Tier 2/3 |
| DETAILS | (2.4L) Piston-Ring Set RE520936 |
| AGRICULTURAL | TRACTOR MODEL; 4120, 4320, 4520, 4720 |
| INDUSTRIAL | BACKHOE, SKID STEER, COMPACT TRACT LOADER; 244J, CT313, CT315, CT318D, CT319D, CT320D, CT322, CT323D |
| GENERATOR | GENSET |

Engine Assy



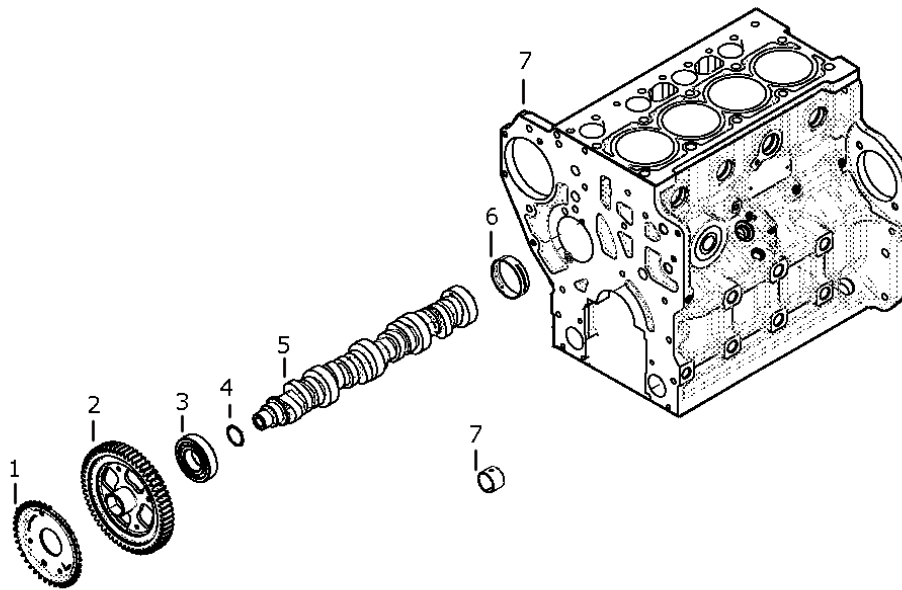
1A



Engine Assy

| Key | Ozgur No | OEM No | SUB No | Description |
|-----|----------|----------|----------------------|---|
| 1A | OT18001 | RE509089 | RE10842 | Complete Engine Assy 4024TT002 |
| 1 | OT18002 | RE528290 | SE501598 RE543441 | Complete Block Assembly Block : R522220 Piston : RE522094 |
| 1 | OT18003 | RE528291 | RE543443 SE501601 | Complete Block Assembly Block : R522220 Piston : RE516347 |
| 1 | OT18004 | RE536712 | RE536714 SE502101 | Complete Block Assembly Block : R522220 Piston : RE527622 Camshaft : R525718 |
| 1 | OT18005 | RE528289 | SE501600 | Complete Block Assembly Block : R502568 Piston : RE516347 |
| 1 | OT18006 | RE528292 | SE501599 | Complete Block Assembly Block : R522220 Piston : RE522094 |

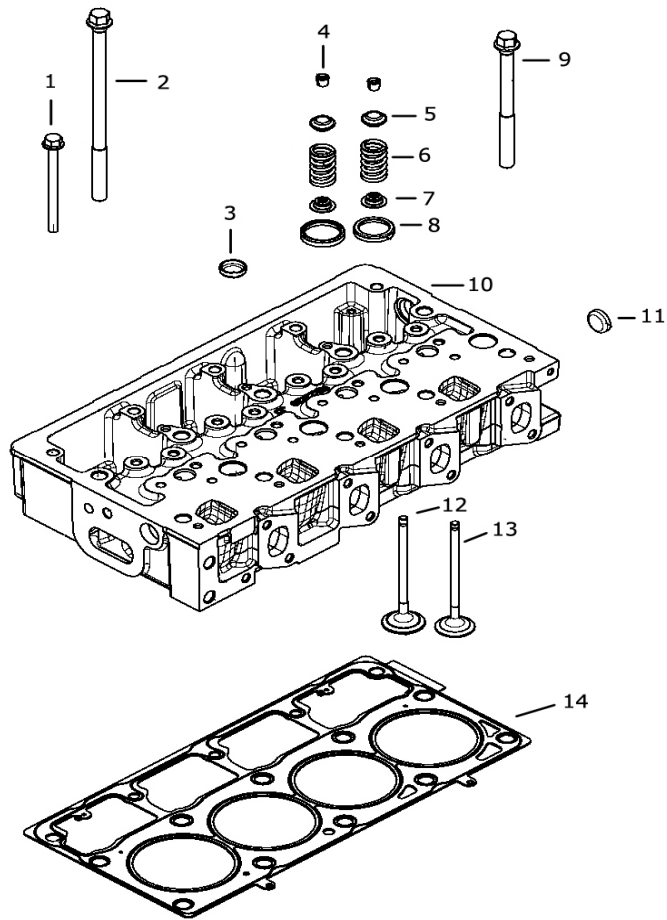
Engine Block



Engine Block

| Key | Ozgur No | OEM No | SUB No | Description |
|-----|----------|----------|----------|-----------------------------------|
| 1 | OT18007 | R522976 | | Front Gear |
| 2 | OT18008 | R523409 | | Camshaft Gear |
| 2 | OT18009 | R502760 | | Camshaft Gear |
| 3 | OT18010 | RE518215 | | Ball Bearing |
| 4 | OT18011 | R515112 | | Shim |
| 5 | OT18012 | R528140 | | Camshaft |
| 5 | OT18013 | R528189 | SE502117 | Camshaft |
| 5 | OT18014 | R528190 | SE502121 | Camshaft |
| 5 | OT18015 | R528191 | SE502116 | Camshaft |
| 6 | OT18016 | R504808 | | Camshaft Bush |
| 7A | OT18017 | R503315 | | Balancer bush |
| 7 | OT18018 | R502568 | | Cylinder Block |
| 7 | OT18019 | R522220 | | Cylinder Block Camshaft : R528140 |

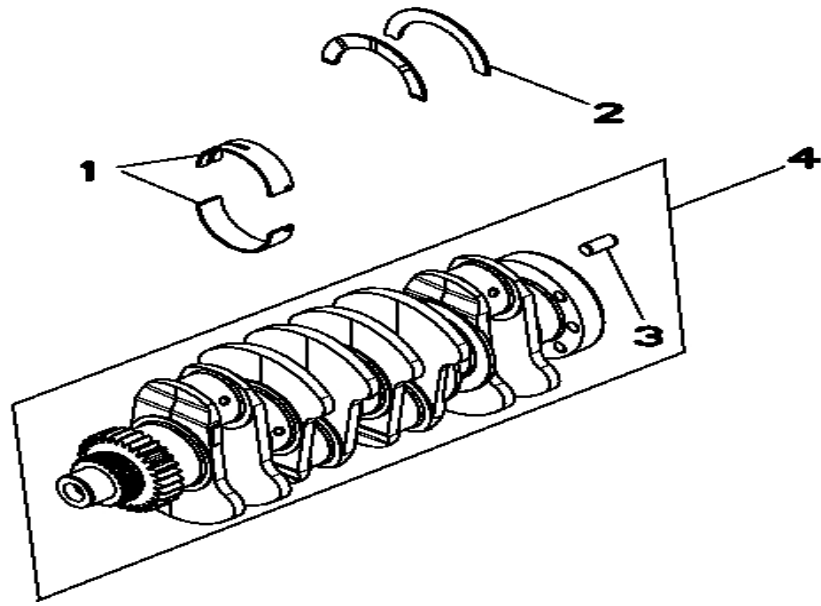
Cylinder Head



Cylinder Head

| Key | Ozgur No | OEM No | SUB No | Description |
|-----|----------|----------|----------------------|-------------------------------------|
| 1 | OT18020 | 19M8986 | | Screw M8x100 |
| 2 | OT18021 | R516693 | | Bolt |
| 3 | OT18022 | T21937 | | Plug |
| 4 | OT18023 | R502371 | | Retainer |
| 5 | OT18024 | R502367 | | Cap |
| 6 | OT18025 | R522728 | | Spring |
| 6 | OT18026 | R502368 | | Spring |
| 7 | OT18027 | RE532712 | RE530919 | Seal |
| 7 | OT18028 | RE520980 | | Seal |
| 8 | OT18029 | R526671 | | Valve seat Insert IN |
| 8 | OT18030 | R526672 | | Valve seat Insert EX |
| 9 | OT18031 | R516692 | | Bolt |
| 10 | OT18032 | RE535827 | SE501606 | Cylinder Head Assy Marked : R522129 |
| 10 | OT18033 | RE506335 | SE501605 | Cylinder Head Assy Marked : R502577 |
| 11 | OT18022 | T21937 | | Plug |
| 12 | OT18035 | R502454 | | Valve IN |
| 13 | OT18036 | R502455 | | Valve EX |
| 14 | OT18037 | RE528708 | RE533089 RE506004 | Cylinder Head Gasket STD |
| 14 | OT18038 | RE523913 | RE535449 | Cylinder Head Gasket (010 - 020) |

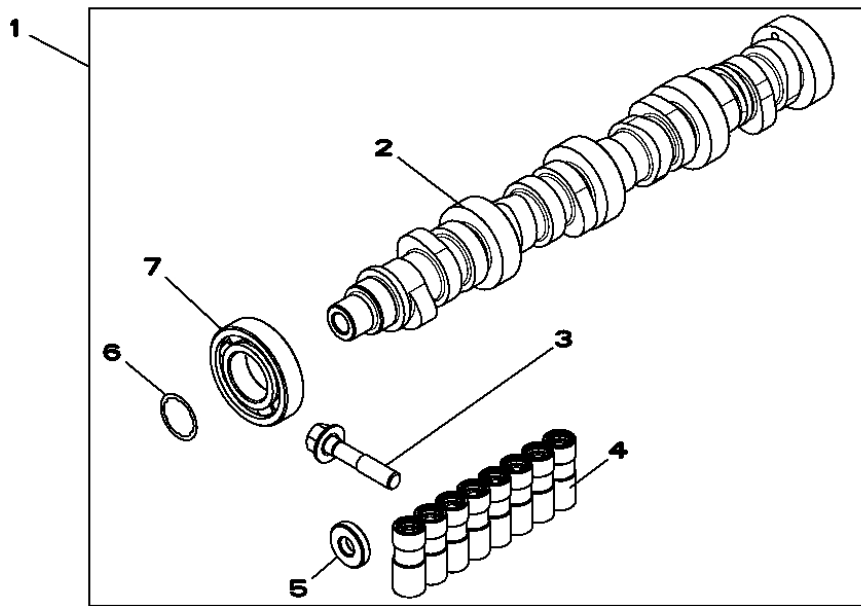
Crankshaft



Crankshaft

| Key | Ozgur No | OEM No | SUB No | Description |
|-----|----------|----------|----------|-------------------|
| 1 | OT18039 | RE520626 | | Main Bearing Std |
| 1 | OT18040 | RE524569 | | Main Bearing 010 |
| 2 | OT18041 | RE520627 | R502796 | Thrust Washer Std |
| 3 | OT18042 | R48685 | | Dowel Pin |
| 4 | OT18043 | RE527590 | SE502112 | Crankshaft |
| 4 | OT18044 | RE504879 | SE501642 | Crankshaft |

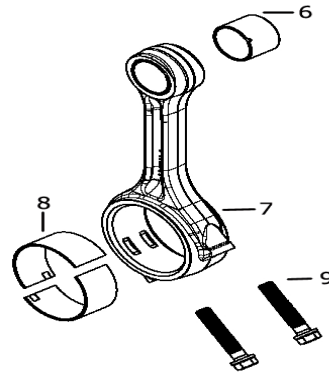
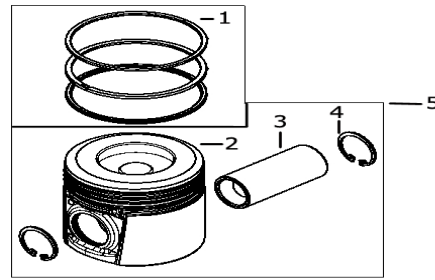
Camshaft



Camshaft

| Key | Ozgur No | OEM No | SUB No | Description |
|-----|----------|----------|----------------------|---------------------------------|
| 1 | OT18013 | RE533934 | SE502117 | Camshaft Kit Camshaft : R525718 |
| 1 | OT18046 | RE524771 | RE516873 SE501618 | Camshaft Kit Camshaft : R516873 |
| 1 | OT18047 | RE539086 | SE502125 | Camshaft Kit |
| 1 | OT18015 | RE533933 | SE502116 | Camshaft Kit Camshaft : R527727 |
| 1 | OT18014 | RE535921 | SE502121 | Camshaft Kit Camshaft : R526589 |
| 2 | OT18050 | R525718 | | Camshaft |
| 2 | OT18051 | R516873 | | Camshaft |
| 3 | OT18052 | R517240 | | Screw |
| 4 | OT18053 | RE520885 | RE518776 | Tappet |
| 5 | OT18054 | R516770 | | Washer |
| 6 | OT18011 | R515112 | | Shim |
| 7 | OT18010 | RE518215 | | Ball Bearing |

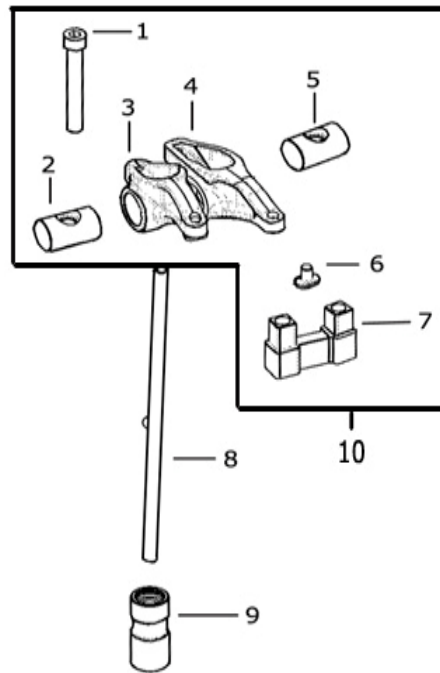
Piston, Connecting Rod



Piston, Connecting Rod

| Key | Ozgur No | OEM No | SUB No | Description |
|-----|----------|----------|----------------------|--|
| 1 | OT18057 | RE533955 | | Piston Ring Set std with RE527622 piston |
| 1 | OT18058 | RE520935 | RE543439 | Piston Ring Set std with RE516347 piston |
| 1 | OT18059 | RE524568 | | Piston Ring Set std with RE518838 piston |
| 1 | OT18060 | RE524567 | | Piston Ring Set 010 with RE518837 piston |
| 2 | OT18061 | RE527622 | | Piston std with out ring (RE536353 complete with ring) |
| 2 | OT18062 | RE516347 | | Piston std with out ring (RE520936 complete with ring) |
| 2 | OT18063 | RE518838 | | Piston std with out ring (RE524568 complete with ring) |
| 2 | OT18064 | RE526785 | | Piston std with out ring (RE527574 complete with ring) |
| 2 | OT18065 | RE518837 | | Piston 010 with out ring (RE524567 complete with ring) |
| 2 | OT18066 | RE522745 | | Piston 020 with out ring (RE524568 complete with ring) |
| 3 | OT18067 | R503480 | | Piston Pin |
| 4 | OT18068 | 40M1855 | | Piston Pin ring |
| 5 | OT18069 | RE536353 | RE522094 RE522308 | Piston std with RE533955 ring assy |
| 5 | OT18070 | RE527574 | | Piston std with ring assy |
| 5 | OT18071 | RE524564 | | Piston std with RE524568 ring assy (use RE523913 gasket) |
| 5 | OT18072 | RE520936 | | Piston std with RE520935 ring assy |
| 5 | OT18073 | RE543434 | | Piston std with RE520935 ring assy |
| 5 | OT18074 | RE524563 | RE524565 | Piston 010 with RE524567 ring assy (use RE523913 gasket) |
| 5 | OT18075 | RE524566 | | Piston 020 with RE524568 ring assy (use RE523913 gasket) |
| 6 | OT18076 | OT18076 | | Connecting Rod Bush |
| 7 | OT18077 | RE504544 | SE501898 RE544411 | Connecting Rod Assy |
| 8 | OT18078 | RE520937 | | Connecting Rod Bearing std |
| 8 | OT18079 | RE524570 | | Connecting Rod Bearing 010 |
| 9 | OT18080 | R502503 | | Screw |

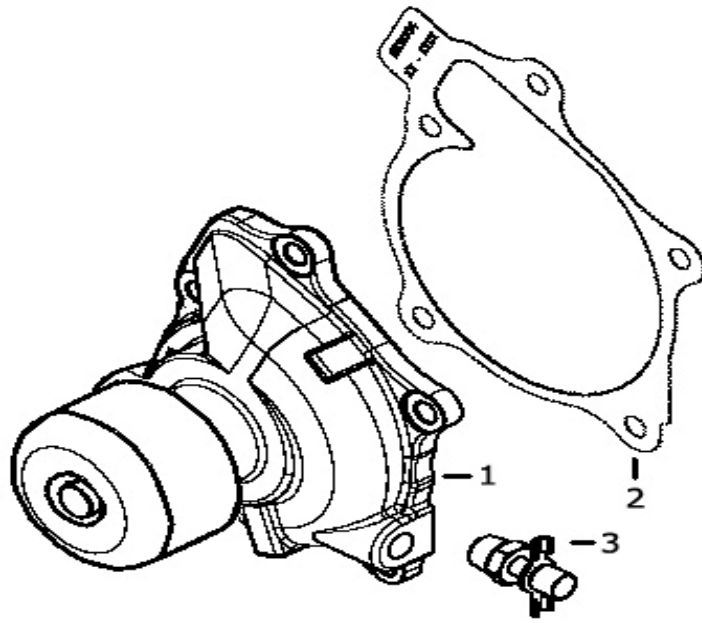
Rocker Arm



Rocker Arm

| Key | Ozgur No | OEM No | SUB No | Description |
|-----|----------|----------|----------|--|
| 1 | OT18081 | 19M8554 | | Bolt |
| 2 | OT18082 | R526970 | R517906 | Rocker Shaft |
| 3 | OT18083 | R527614 | RE518984 | Rocker Arm |
| 4 | OT18084 | R527615 | RE518985 | Rocker Arm |
| 5 | OT18082 | R526970 | R517906 | Rocker Shaft |
| 6 | OT18086 | OT18086 | | retainer |
| 7 | OT18087 | R522923 | R517905 | Pedestal |
| 8 | OT18088 | RE517136 | | Push Rod |
| 9 | OT18053 | RE518776 | RE520885 | Tappet |
| 10 | OT18086 | RE537249 | | Rocker Arm Assy Marked : R527614/R527615 |

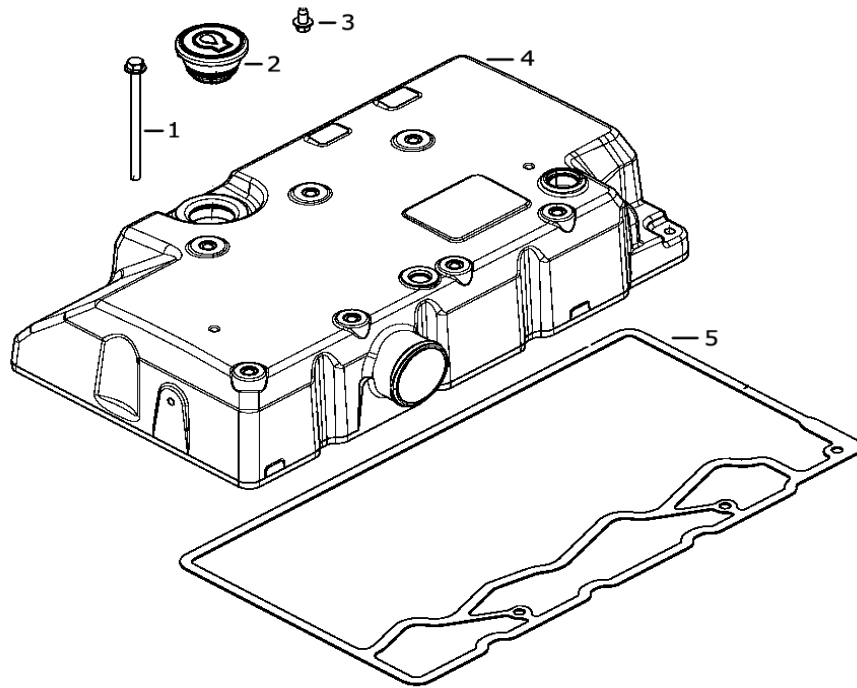
Water Pump



Water Pump

| Key | Ozgur No | OEM No | SUB No | Description |
|-----|----------|----------|----------------------|-------------------|
| 1 | OT18091 | RE507604 | RE545573 SE502114 | Water Pump Assy |
| 1 | OT18092 | RE518520 | RE545572 SE502115 | Water Pump Assy |
| 2 | OT18093 | R533334 | | Water Pump Gasket |
| 3 | OT18094 | AT13740 | | Drain Valve |

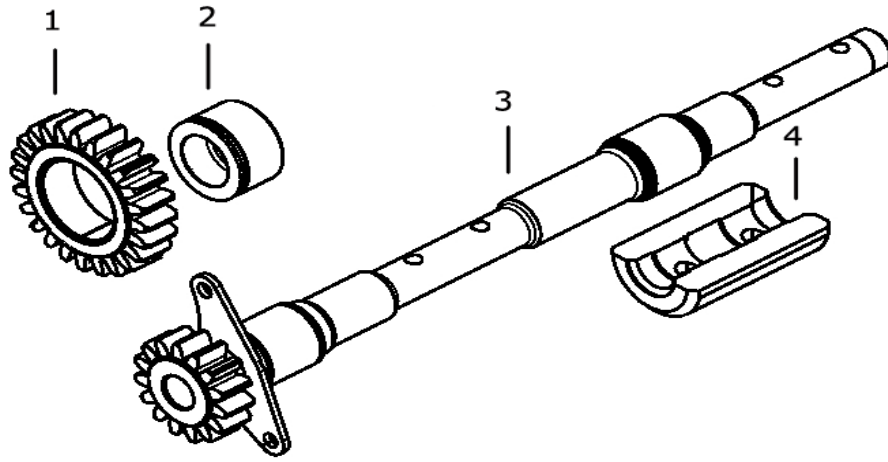
Rocker Cover



Rocker Cover

| Key | Ozgur No | OEM No | SUB No | Description |
|-----|----------|----------|--------|--------------------|
| 1 | OT18095 | RE517080 | | Screw |
| 2 | OT18096 | R515057 | | Oil Cap |
| 3 | OT18097 | 37M7089 | | Screw |
| 4 | OT18098 | R524533 | | Valve Cover |
| 5 | OT18099 | R522673 | | Valve Cover Gasket |

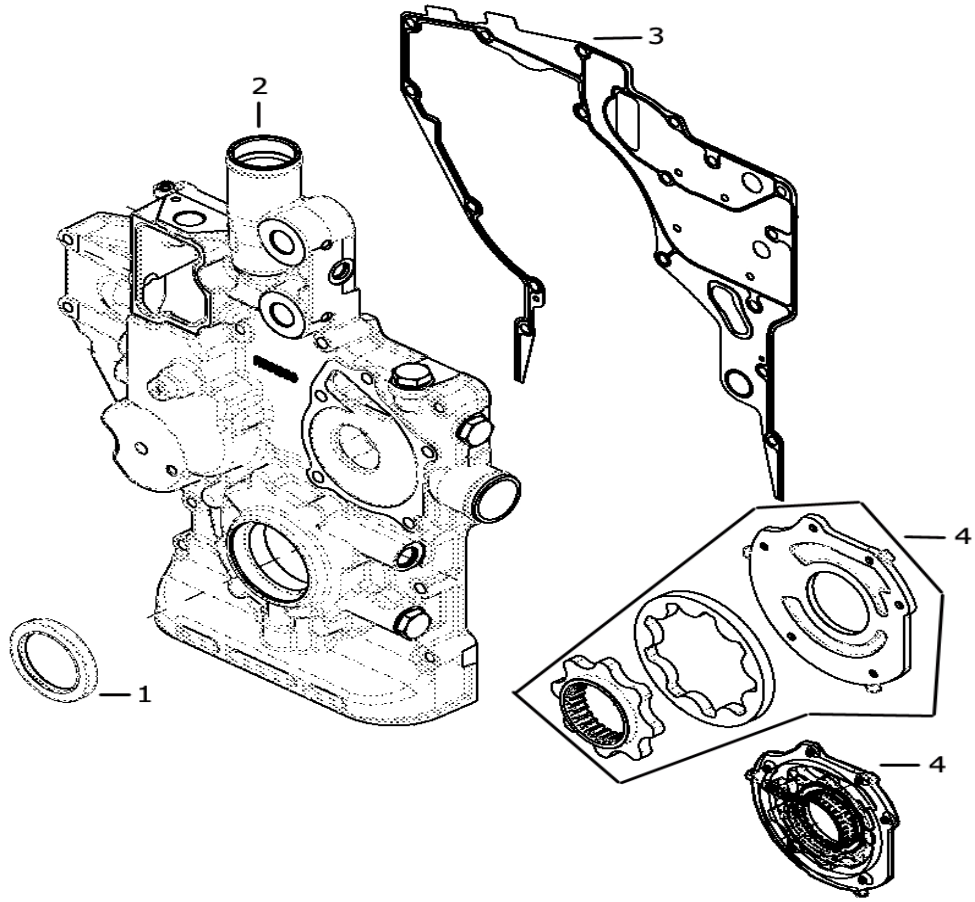
Balancer Assy



Balancer Assy

| Key | Ozgur No | OEM No | SUB No | Description |
|-----|----------|----------|--------|-------------------|
| 1 | OT18100 | RE529419 | | Balancer Gear |
| 2 | OT18101 | R505561 | | Gear Bague |
| 3 | OT18102 | RE509565 | | Balancer shaft RH |
| 3 | OT18103 | RE509564 | | Balancer shaft LH |
| 4 | OT18104 | R505599 | | Shaft Weight |

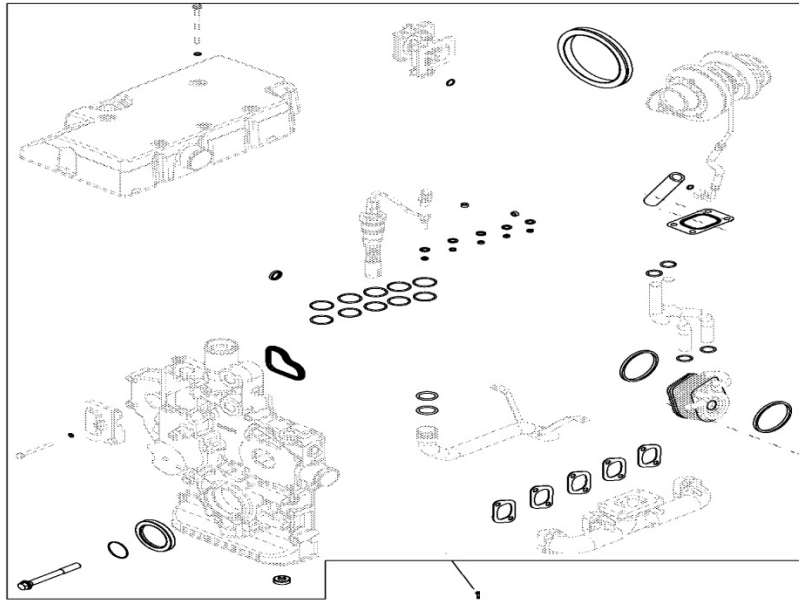
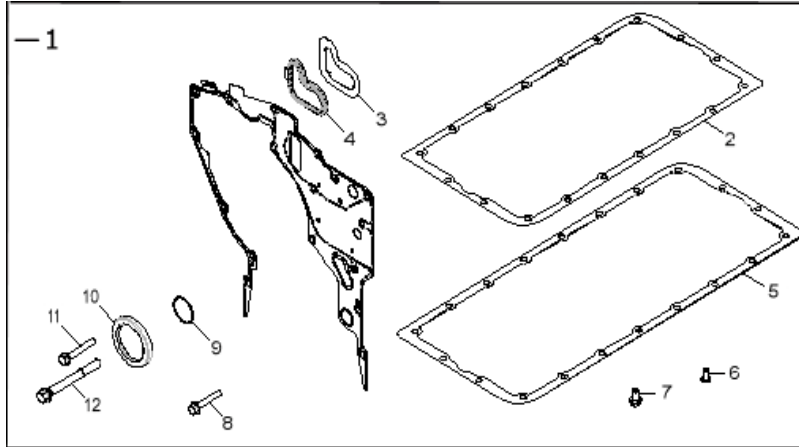
Front Timing Cover



Front Timing Cover

| Key | Ozgur No | OEM No | SUB No | Description |
|-----|----------|----------|----------|--------------------------------------|
| | OT18105 | AR67942 | | Crankshaft Front Seal |
| 2 | OT18106 | RE543557 | | Front Cover Marked : R530023 |
| 2 | OT18107 | RE536432 | RE536427 | Front Cover Marked : R522346-R526985 |
| 2 | OT18108 | RE524837 | RE539047 | Front Cover Marked : R527316-R519653 |
| 3 | OT18109 | R530856 | | Gasket |
| 3 | OT18110 | R531348 | | Gasket |
| 4 | OT18111 | OT18111 | | Oil Pump Assy |

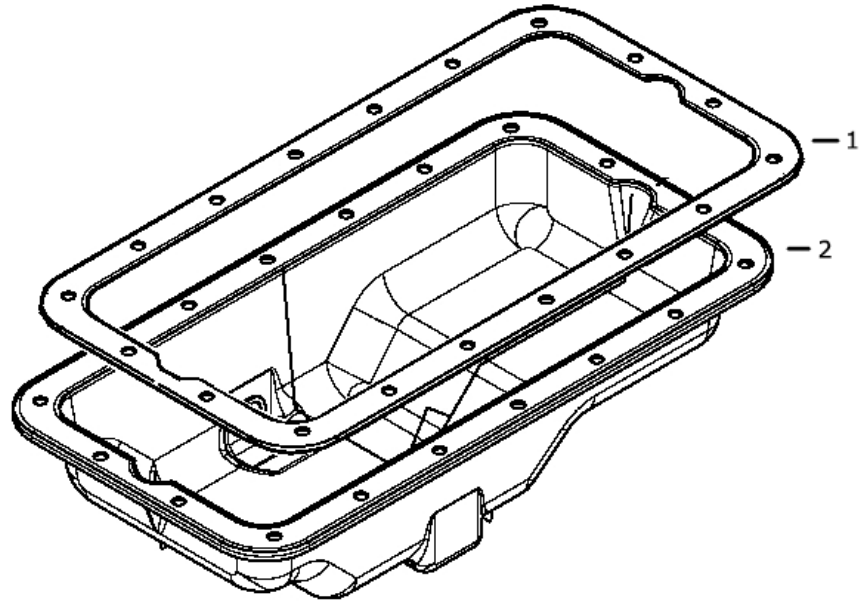
Gasket Set



Gasket Set

| Key | Ozgur No | OEM No | SUB No | Description |
|-----|----------|----------|--------|------------------------|
| 1 | OT18112 | RE547147 | | Engine Full Gasket Set |
| 1 | OT18113 | RE547148 | | Engine Full Gasket Set |
| 1A | OT18114 | RE536448 | | Engine O-Ring Set |
| 1A | OT18115 | RE524593 | | Engine O-Ring Set |

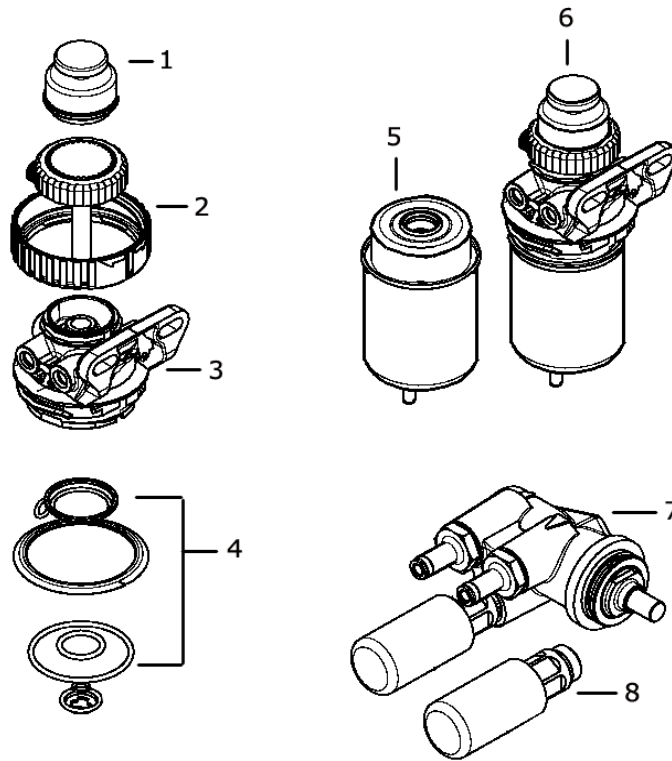
Oil Pan



Oil Pan

| Key | Ozgur No | OEM No | SUB No | Description |
|-----|----------|----------|---------|----------------|
| 1 | OT18116 | R528262 | | Oil Pan Gasket |
| 1 | OT18117 | R519531 | | Oil Pan Gasket |
| 2 | OT18118 | RE515350 | R515109 | Oil Pan |
| 2 | OT18119 | R523410 | | Oil Pan |

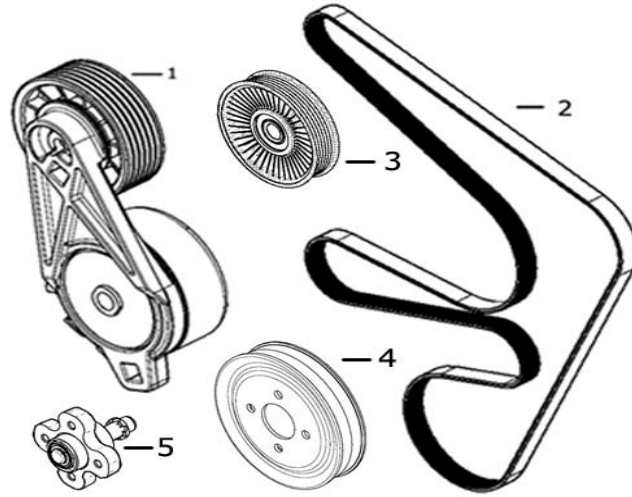
Fuel Filter



Fuel Filter

| Key | Ozgur No | OEM No | SUB No | Description |
|-----|----------|----------|----------------------|-----------------------|
| 1 | OT18120 | RE515404 | | Fuel Filter Hand Pump |
| 2 | OT18121 | RE526834 | | Tap |
| 3 | OT18122 | RE534454 | RE533280 | Filter Head |
| 4 | OT18123 | RE516553 | | Repair Kit |
| 5 | OT18124 | RE533026 | | Fuel Filter only |
| 5 | OT18125 | RE508202 | | Fuel Filter only |
| 6 | OT18122 | RE534454 | RE533280 | Fuel Filter Assy |
| 6 | OT18127 | RE536666 | | Fuel Filter Assy |
| 6 | OT18128 | RE509441 | RE525105 | Fuel Filter Assy |
| 6 | OT18129 | RE536663 | | Fuel Filter Assy |
| 7 | OT18130 | RE534346 | | Fuel Pump |
| 7 | OT18131 | RE536662 | | Fuel Pump |
| 7 | OT18132 | RE525101 | RE509778 RE532210 | Fuel Pump |
| 7 | OT18133 | RE525102 | RE515953 RE532211 | Fuel Pump |
| 8 | OT18134 | RE65265 | | Hand Primer |

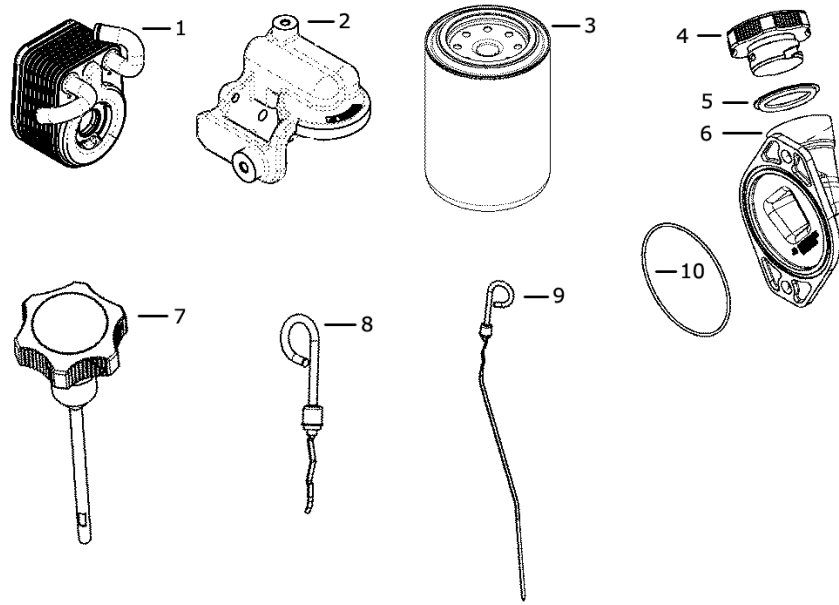
Tensioner Belt



Tensioner Belt

| Key | Ozgur No | OEM No | SUB No | Description |
|-----|----------|----------|----------|-----------------------|
| 1 | OT18135 | RE509517 | | Tensioner Belt Assy |
| 1 | OT18136 | RE520217 | | Tensioner Belt Assy |
| 2 | OT18137 | R515222 | | V-Belt 2270mm |
| 2 | OT18138 | R515221 | | V-Belt |
| 2 | OT18139 | R523007 | | V-Belt |
| 2 | OT18140 | R519408 | | V-Belt |
| 2 | OT18141 | R522751 | | V-Belt |
| 2 | OT18142 | R527929 | | V-Belt |
| 2 | OT18143 | R527922 | | V-Belt |
| 2 | OT18144 | R527931 | | V-Belt |
| 2 | OT18145 | R527928 | | V-Belt |
| 2 | OT18146 | R505810 | | V-Belt 2245mm |
| 2 | OT18147 | R515217 | | V-Belt 2300mm |
| 2 | OT18148 | R527935 | | V-Belt |
| 2 | OT18149 | R515218 | | V-Belt 2415mm |
| 2 | OT18150 | R527924 | | V-Belt |
| 2 | OT18151 | R527920 | | V-Belt |
| 2 | OT18152 | R527925 | | V-Belt |
| 2 | OT18153 | R527927 | | V-Belt |
| 2 | OT18154 | R527917 | | V-Belt |
| 2 | OT18155 | R527918 | | V-Belt |
| 2 | OT18156 | R527919 | | V-Belt |
| 2 | OT18157 | R527926 | | V-Belt |
| 2 | OT18158 | R527923 | | V-Belt |
| 2 | OT18159 | R527930 | | V-Belt |
| 2 | OT18149 | R517041 | R515218 | V-Belt 2415mm |
| 2 | OT18161 | R517012 | | V-Belt 2465mm |
| 2 | OT18162 | R517039 | | V-Belt 2435mm |
| 3 | OT18163 | RE527250 | RE537940 | Tensioner Belt Pulley |
| 3 | OT18164 | RE537861 | | Tensioner Belt Pulley |
| 4 | OT18165 | R519691 | | Pulley |
| 4 | OT18166 | R519693 | | Pulley |
| 5 | OT18167 | RE505621 | | Flange |
| 5 | OT18168 | RE524195 | | Flange |

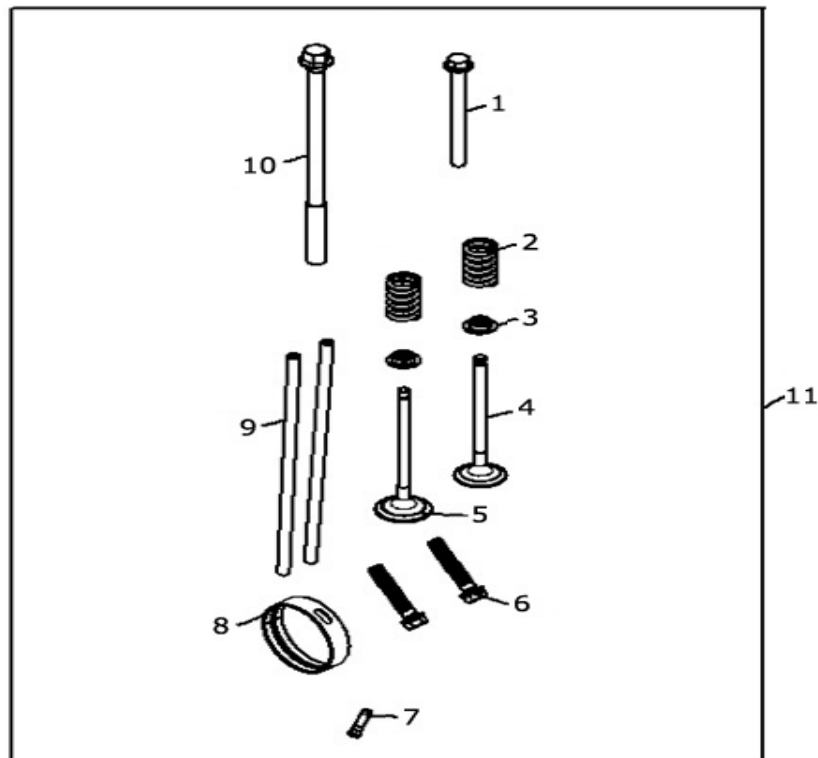
Oil Cooler, Filter



Oil Cooler, Filter

| Key | Ozgur No | OEM No | SUB No | Description |
|-----|----------|----------|----------|---------------------|
| 1 | OT18170 | RE515469 | | Oil Cooler Assy |
| 2 | OT18171 | RE538283 | RE532732 | Oil Filter Head |
| 2 | OT18172 | R522476 | | Oil Filter Head |
| 3 | OT18173 | RE519626 | | Oil Filter |
| 4 | OT18174 | RE535560 | | Oil Cap |
| 4 | OT18175 | RE500005 | | Oil Cap |
| 5 | OT18176 | R502902 | | Oil Cap O-Ring |
| 6 | OT18177 | RE529865 | | Oil Cap Body |
| 7 | OT18178 | RE506791 | | Dipstick |
| 8 | OT18179 | RE518407 | | Dipstick |
| 9 | OT18180 | RE509922 | | Dipstick |
| 10 | OT20758 | T20758 | | Oil Cap Body O-Ring |

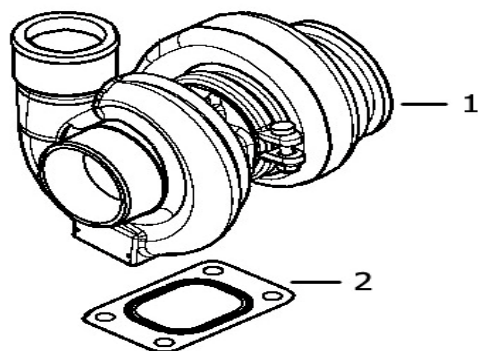
Engine Repair Kit



Engine Repair Kit

| Key | Ozgun No | OEM No | SUB No | Description |
|-----|----------|----------|----------|---|
| 1 | OT18020 | 19M8986 | | Bolt |
| 2 | OT18183 | R522728 | | Spring |
| 3 | OT18027 | RE532712 | RE530919 | Retainer |
| 4 | OT18035 | R502454 | | Engine Valve |
| 5 | OT18036 | R502455 | | Engine Valve |
| 6 | OT18080 | R502503 | | Con.Rod Bush |
| 7 | OT18188 | R505135 | | Orifice |
| 8 | OT18016 | R504808 | | Camshaft Bush |
| 9 | OT18088 | RE517136 | | Push Rod |
| 10 | OT18021 | R516693 | | Bolt |
| 11 | OT18192 | RE536436 | | Engine Cylinder Head Overhaul Kit PER CYLINDER |
| 11 | OT18193 | RE525747 | | Engine Cylinder Head Overhaul Kit PER CYLINDER |

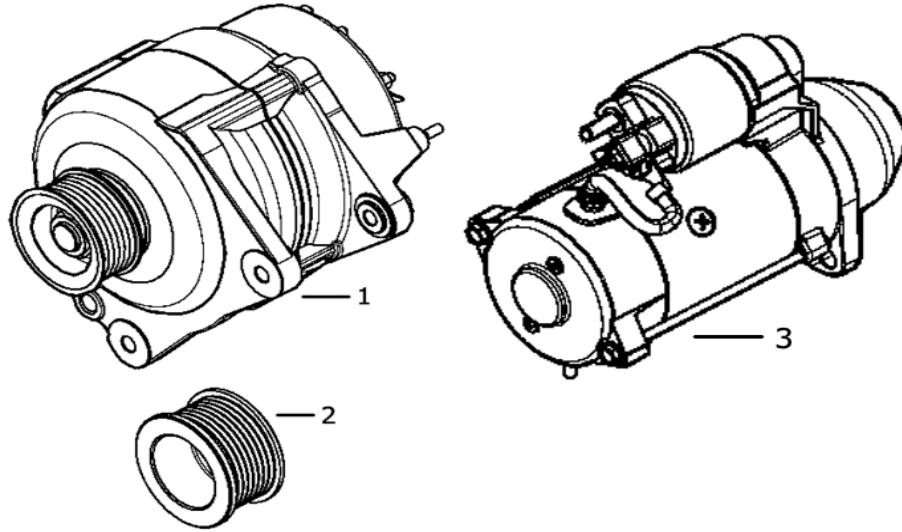
Turbo Charger



Turbo Charger

| Key | Ozгур No | OEM No | SUB No | Description |
|-----|----------|----------|----------------------|--------------|
| 1 | OT18194 | RE530366 | SE502477 | Turbocharger |
| 1 | OT18195 | RE519530 | RE524159 | Turbocharger |
| 1 | OT18196 | RE518228 | SE501678 | Turbocharger |
| 1 | OT18197 | RE518957 | | Turbocharger |
| 1 | OT18198 | RE519539 | RE524160 | Turbocharger |
| 1 | OT18199 | RE507842 | SE502358 | Turbocharger |
| 1 | OT18200 | RE529383 | SE502481 | Turbocharger |
| 1 | OT18201 | RE520304 | RE520302 RE524161 | Turbocharger |
| 1 | OT18202 | RE520303 | | Turbocharger |
| 1 | OT18203 | RE519517 | | Turbocharger |
| 1 | OT18204 | RE519528 | | Turbocharger |
| 1 | OT18205 | RE518226 | SE502214 RE524003 | Turbocharger |
| 1 | OT18206 | RE519515 | | Turbocharger |
| 1 | OT18207 | RE535740 | SE502503 | Turbocharger |
| 1 | OT18208 | RE531872 | SE502484 | Turbocharger |
| 1 | OT18209 | RE531875 | SE502487 | Turbocharger |
| 1 | OT18210 | RE523753 | RE523751 | Turbocharger |
| 1 | OT18211 | RE530407 | SE502482 | Turbocharger |
| 1 | OT18212 | RE535741 | SE502504 | Turbocharger |
| 1 | OT18213 | RE531874 | SE502486 | Turbocharger |
| 1 | OT18214 | RE532806 | SE502493 | Turbocharger |
| 1 | OT18215 | RE532807 | SE502494 | Turbocharger |
| 1 | OT18216 | RE532722 | SE502490 | Turbocharger |
| 1 | OT18217 | RE539097 | SE502507 | Turbocharger |
| 1 | OT18218 | RE539098 | SE502508 | Turbocharger |
| 1 | OT18219 | RE539099 | SE502509 | Turbocharger |
| 1 | OT18220 | RE532808 | SE502495 | Turbocharger |
| 1 | OT18221 | RE533600 | SE502479 | Turbocharger |
| 1 | OT18222 | RE533601 | SE502497 | Turbocharger |
| 1 | OT18223 | RE533602 | SE502480 | Turbocharger |
| 2 | OT18224 | R515197 | | Gasket |

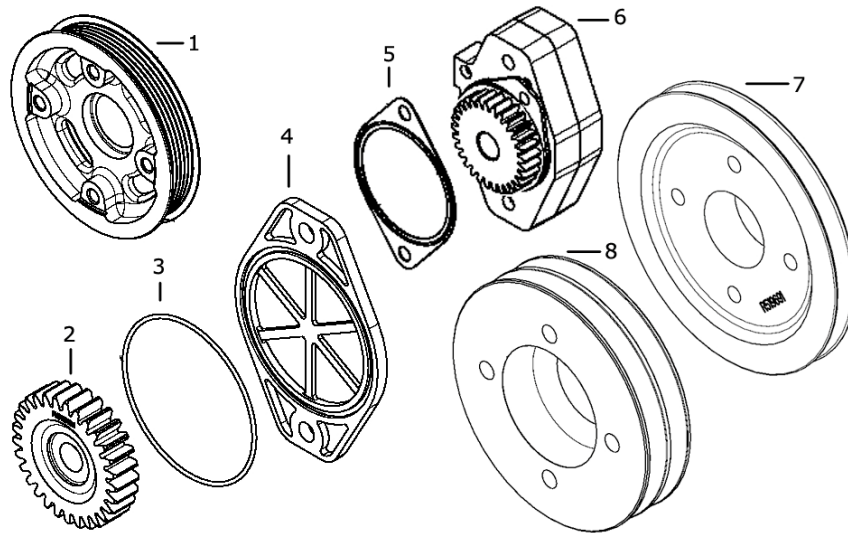
Starter, Alternator



Starter, Alternator

| Key | Ozgur No | OEM No | SUB No | Description |
|-----|----------|----------|----------------------|---------------------------|
| 1 | OT18225 | RE529377 | RE509648 SE501831 | Alternator 12V 70A BOSCH |
| 1 | OT18226 | AH165975 | SE501343 | Alternator 12V 120A BOSCH |
| 1 | OT18227 | RE522401 | | Alternator 24V 50A ISKRA |
| 1 | OT18228 | RE509080 | | Alternator 12V 65A DENSO |
| 2 | OT18229 | R503309 | | Pulley |
| 2 | OT18230 | R501486 | | Pulley |
| 3 | OT18231 | RE508922 | SE501844 | Starter 12V 2.2kw BOSCH |
| 3 | OT18232 | RE531243 | | Starter 12V 2.6kw ISKRA |
| 3 | OT18233 | RE525885 | | Starter 24V 3.0kw ISKRA |

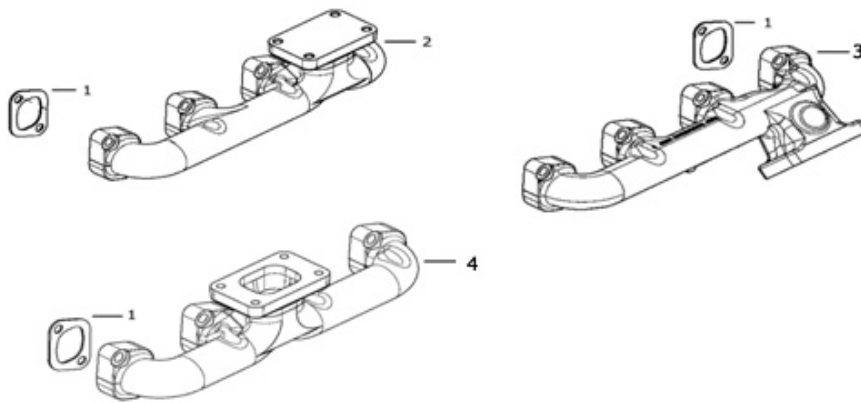
Auxiliary Drive



Auxiliary Drive

| Key | Ozgur No | OEM No | SUB No | Description |
|-----|----------|----------|---------|---------------------|
| 1 | OT18234 | RE520244 | | Pulley |
| 1 | OT18235 | RE523315 | | Pulley |
| 2 | OT18236 | RE518778 | R515151 | Gear Z:29 |
| 2 | OT18237 | R520427 | | Gear Z:29 |
| 2 | OT18238 | R522569 | | Gear |
| 3 | OT20758 | T20758 | | O-Ring |
| 4 | OT18240 | R135757 | | Flange |
| 5 | OT18241 | R96934 | | Flange Gasket |
| 5 | OT18242 | R522690 | | Flange Gasket |
| 6 | OT18243 | RE524153 | | Drive Pump Assy |
| 6 | OT18244 | RE532474 | | Drive Pump Assy |
| 7 | OT18245 | R505808 | | Pulley single grove |
| 7 | OT18246 | R516400 | | Pulley single grove |
| 8 | OT18247 | R516401 | | Pulley double grove |
| 8 | OT18248 | R520415 | | Pulley double grove |
| 8 | OT18249 | R520414 | | Pulley double grove |
| 8 | OT18250 | R520462 | | Pulley double grove |

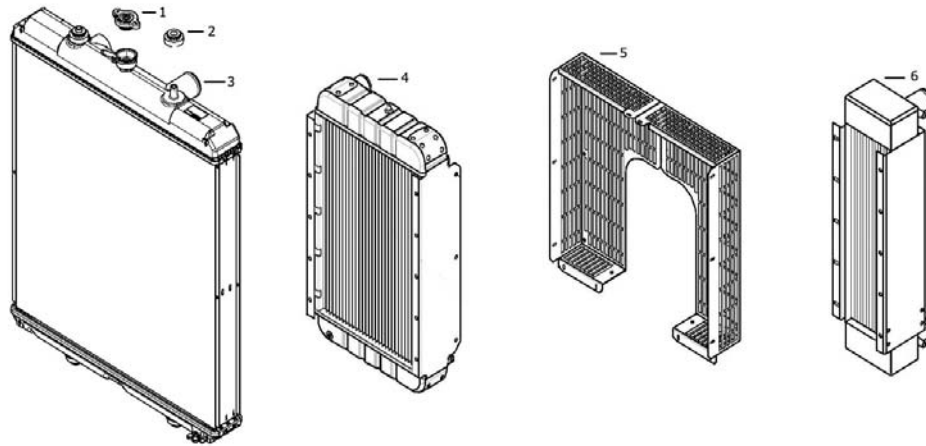
Exhaust Manifold



Exhaust Manifold

| Key | Ozgur No | OEM No | SUB No | Description |
|-----|----------|---------|---------|------------------|
| 1 | OT18251 | R515296 | | Manifold Gasket |
| 2 | OT18252 | R522946 | | Exhaust Manifold |
| 3 | OT18253 | R520432 | | Exhaust Manifold |
| 4 | OT18254 | R518558 | R516637 | Exhaust Manifold |
| 4 | OT18255 | R524125 | | Exhaust Manifold |

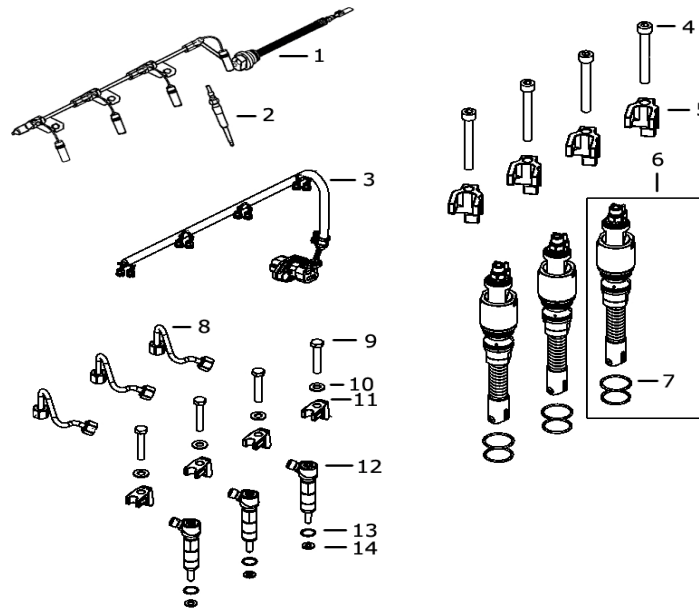
Radiator Assy



Radiator Assy

| Key | Ozгур No | OEM No | SUB No | Description |
|-----|----------|----------|--------|---------------|
| 1 | OT18256 | KV25481 | | Radiator Cap |
| 1 | OT18257 | RE62985 | | Radiator Cap |
| 2 | OT18258 | LVU16044 | | Grommet |
| 3 | OT18259 | KV23226 | | Radiator Assy |
| 4 | OT18260 | RE535014 | | Radiator Assy |
| 4 | OT18261 | KV24895 | | Radiator Assy |
| 4 | OT18262 | RE535016 | | Radiator Assy |
| 5 | OT18263 | KV25954 | | Shroud |
| 5 | OT18264 | RE522107 | | Shroud |
| 5 | OT18265 | RE535022 | | Shroud |
| 5 | OT18266 | RE535040 | | Shroud |
| 6 | OT18267 | KV25794 | | Aftercooler |
| 6 | OT18268 | RE535039 | | Aftercooler |

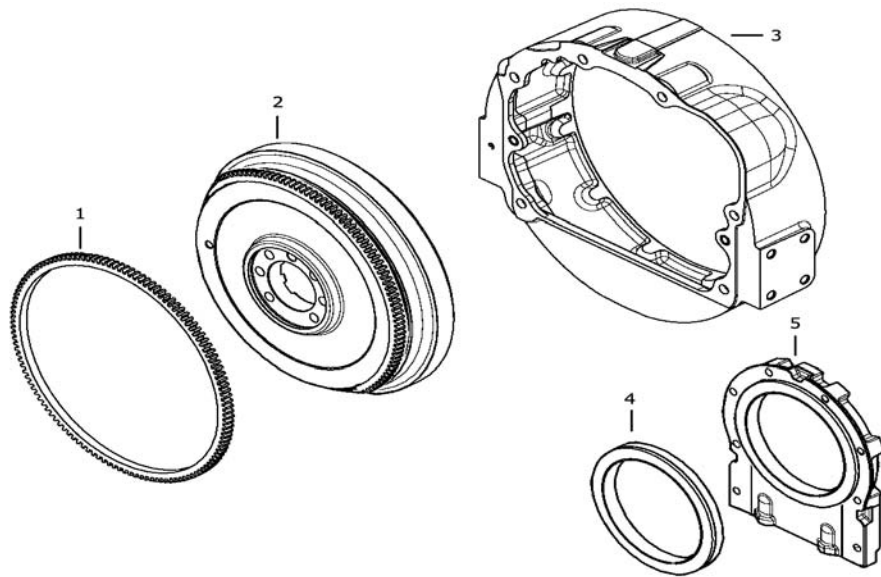
Fuel Pump, Injection System



Fuel Pump, Injection System

| Key | Ozгур No | OEM No | SUB No | Description |
|-----|----------|----------|--|---------------------|
| 1 | OT18269 | RE521504 | | Wiring Harnes |
| 1 | OT18270 | RE528598 | | Wiring Harnes |
| 2 | OT18271 | RE505867 | | Glow Plug 12V |
| 2 | OT18272 | RE522425 | | Glow Plug 12V |
| 3 | OT18273 | RE529612 | | Wiring Harnes |
| 4 | OT18274 | 19M8574 | | Screw M10x85 |
| 5 | OT18275 | R522618 | | Clamp |
| 6 | OT18276 | RE534960 | SE501960 | Fuel Inj. Pump assy |
| 6 | OT18277 | RE527597 | SE502048 | Fuel Inj. Pump assy |
| 6 | OT18278 | RE530790 | RE515803 RE526485 SE502053 | Fuel Inj. Pump assy |
| 6 | OT18279 | RE530802 | RE522565 RE526490 RE528081 SE502065 | Fuel Inj. Pump assy |
| 6 | OT18280 | RE530822 | SE502067 | Fuel Inj. Pump assy |
| 6 | OT18281 | RE530788 | RE515787 RE526483 SE502051 | Fuel Inj. Pump assy |
| 6 | OT18282 | RE530793 | RE522562 RE526488 SE502056 | Fuel Inj. Pump assy |
| 7 | OT18283 | RE532137 | | O-Ring |
| 8 | OT18284 | RE528738 | | Fuel Line |
| 9 | OT18285 | 19M2972 | | Cap Screw |
| 10 | OT18286 | T27860 | | Washer |
| 11 | OT18275 | R522618 | | Clamp |
| 12 | OT18288 | RE528525 | SE501961 | Inj. Nozzle |
| 13 | OT18289 | RE532825 | | Seal Kit |
| 14 | OT18289 | RE532825 | | Seal Kit |

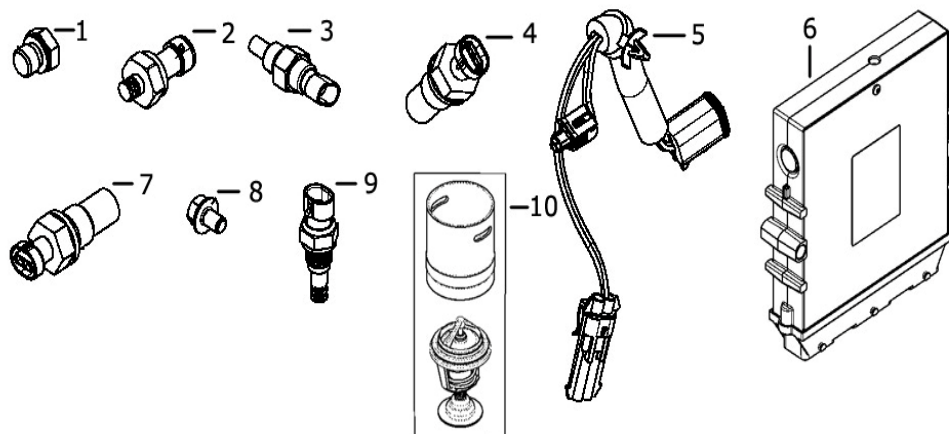
Flywhell Assy



Flywhell Assy

| Key | Ozгур No | OEM No | SUB No | Description |
|-----|----------|----------|---------|-----------------------|
| 1 | OT18291 | R519447 | | Ring Gear Z:127 |
| 2 | OT18292 | RE515709 | R515271 | Flywhell Assy |
| 2 | OT18293 | RE516583 | R516176 | Flywhell Assy |
| 2 | OT18294 | RE519734 | R517487 | Flywhell Assy |
| 2 | OT18297 | RE529623 | R523104 | Flywhell Assy |
| 2 | OT18298 | RE529624 | R523105 | Flywhell Assy |
| 2 | OT18299 | RE526652 | R521431 | Flywhell Assy |
| 2 | OT18300 | RE527572 | R522168 | Flywhell Assy |
| 2 | OT18301 | RE529625 | R523106 | Flywhell Assy |
| 2 | OT18302 | RE530747 | R524079 | Flywhell Assy |
| 2 | OT18303 | RE530348 | R523498 | Flywhell Assy |
| 2 | OT18304 | RE532680 | R525043 | Flywhell Assy |
| 3 | OT18305 | R526026 | R503438 | Flywhell Housing |
| 3 | OT18295 | R526025 | | Flywhell Housing |
| 3 | OT18296 | R526029 | | Flywhell Housing |
| 3 | OT18306 | R526027 | R516246 | Flywhell Housing |
| 3 | OT18307 | R519615 | | Flywhell Housing |
| 3 | OT18308 | R526969 | R523497 | Flywhell Housing |
| 3 | OT18309 | R520454 | | Flywhell Housing |
| 4 | OT18311 | RE44574 | | Crankshaft Seal Rear |
| 5 | OT18312 | RE521003 | | Seal Kit inc. RE44574 |
| 5 | OT18313 | R515025 | | Housing w/o RE44574 |

Switch & Thermostat



Switch & Thermostat

| Key | Ozgur No | OEM No | SUB No | Description |
|-----|----------|----------|--|--------------------|
| 1 | OT18314 | RE46684 | | Fitting Plug |
| 2 | OT18315 | RE167207 | | Sensor |
| 3 | OT18316 | RE48419 | | Sensor |
| 4 | OT18317 | RE519144 | | Sensor |
| 5 | OT18318 | RE534416 | | Wiring Harness |
| 5 | OT18319 | RE534417 | | Wiring Harness |
| 6 | OT18320 | RE528702 | | Engine Controller |
| 6 | OT18321 | RE528703 | | Engine Controller |
| 6 | OT18322 | RE523327 | | Engine Controller |
| 6 | OT18323 | RE523966 | RE522420 | Engine Controller |
| 7 | OT18317 | RE519144 | | Sensor |
| 8 | OT18325 | RE524730 | | Screw |
| 9 | OT18326 | RE525016 | | Thermocouple |
| 10 | OT18327 | RE526915 | | Thermostat Kit |
| 10 | OT18328 | RE543179 | | Thermostat Kit |
| 10 | OT18329 | RE542897 | | Thermostat |
| 10 | OT18330 | RE543178 | | Thermostat Kit |
| 10 | OT183131 | RE527949 | RE524008 RE522590 RE527951 RE524994 | Thermostat Kit 89" |

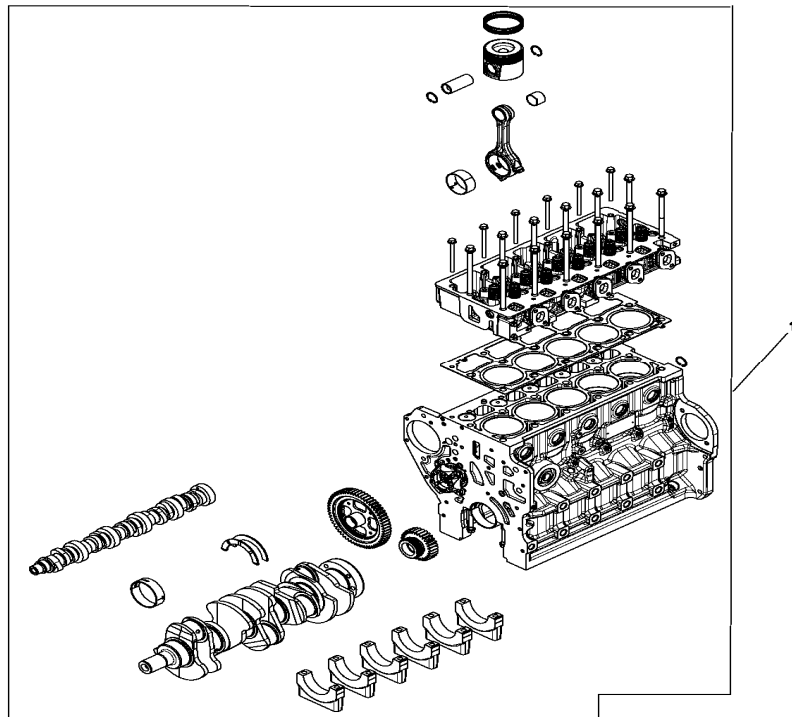
**ENGINE TYPE 5030T 3.0L
(TF220, TF270, TF281, HF220, HF270, HF285)
POWERTECH ENGINE**

| | |
|--------------------------------------|--|
| ENGINE TYPE / SERIAL / SERIES | 5030T (3.0L) P.TECH (76-99HP) |
| CYL / BORE (MM) / PIN (MM) | 4 / 86x105mm / 30,00 Pin / Tier 3 |
| DETAILS | (3.0L) Piston-Ring Set RE527622 |
| AGRICULTURAL | TRACTOR MODEL; 5065M, 5075M, 5325M, 5225M, 5325 |
| INDUSTRIAL | BACKHOE, SKID STEER, COMPACT TRACT LOADER; 304J, 324J, CT332, 325, 328, 326D, 328D, 332D, 333D, 329D |
| GENERATOR | GENSET |

Short Engine



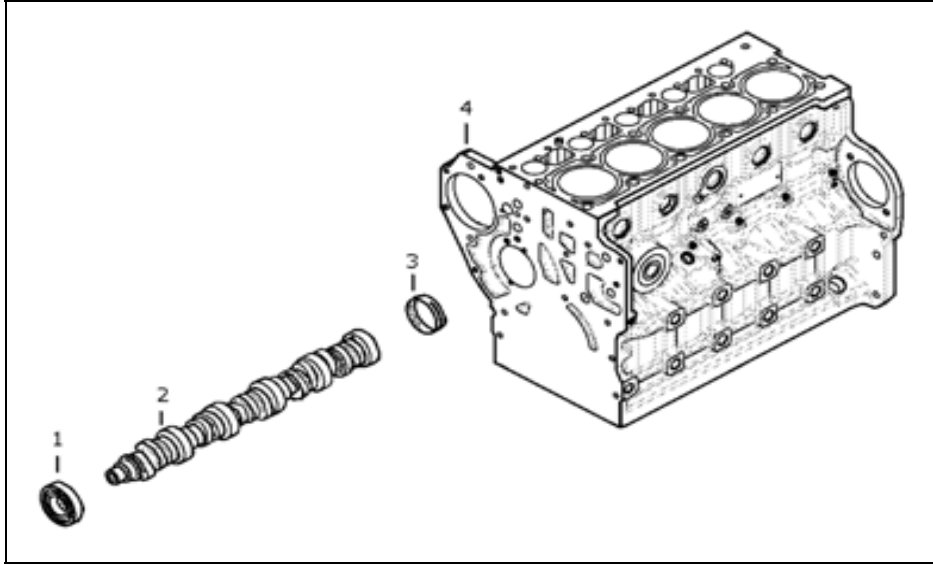
1A



Short Engine

| Key | Ozgur No | OEM No | SUB No | Description |
|-----|----------|----------|----------------------------------|---|
| 1A | OT18332 | RE530674 | | Complete Engine Assy 5030 Type |
| 1A | OT18333 | RE530675 | PE10852 | Complete Engine Assy 5030 Type |
| 1 | OT18334 | RE528294 | SE501602 | Complete Block Assembly Block : R504114 Piston : RE522094 |
| 1 | OT18335 | RE536718 | SE502109 | Complete Block Assembly Block : R522413 Piston : RE527622 Camshaft : R526590 |
| 1 | OT18336 | RE536716 | SE502108 | Complete Block Assembly Block : R522413 Piston : RE527622 Camshaft : R526450 |
| 1 | OT18337 | RE536713 | SE502107 | Complete Block Assembly Block : R522413 Piston : RE527622 Camshaft : R525720 |
| 1 | OT18338 | RE528293 | SE501603 RE543445 SE501604 | Complete Block Assembly Block : R504114 Piston : RE516347 |

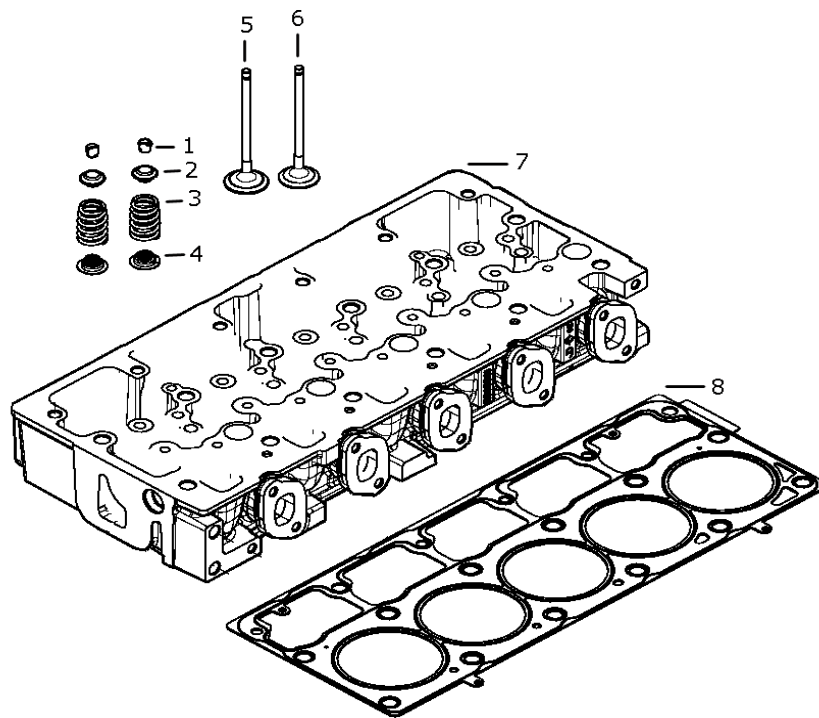
Engine Block



Engine Block

| Key | Ozgur No | OEM No | SUB No | Description |
|-----|----------|----------|----------------------|----------------------------------|
| 1 | OT18010 | RE518215 | | Ball Bearing |
| 2 | OT18339 | R528141 | | Camshaft |
| 2 | OT18340 | R525719 | SE502118 RE533935 | Camshaft |
| 2 | OT18341 | R525720 | RE533936 SE502119 | Camshaft |
| 2 | OT18342 | R526450 | RE533937 SE502120 | Camshaft |
| 2 | OT18343 | RE538987 | SE502122 | Camshaft |
| 3 | OT18016 | R504808 | | Camshaft Bush |
| 4 | OT18344 | R504114 | | Cylinder Block Use with RE515351 |
| 4 | OT18345 | R522143 | | Cylinder Block Use with RE529913 |

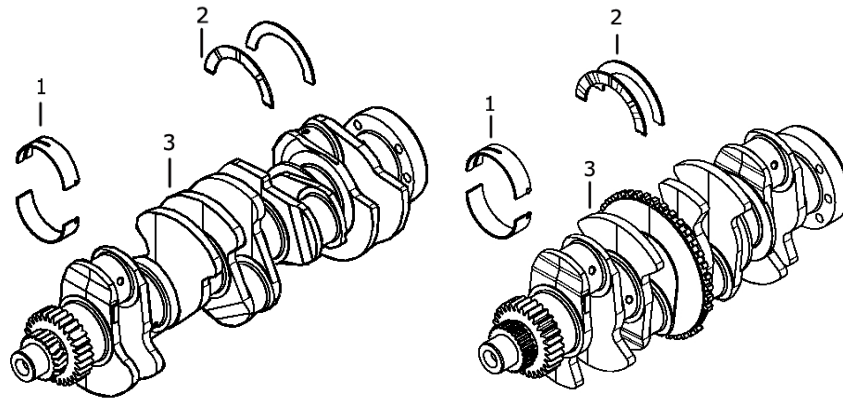
Cylinder Head



Cylinder Head

| Key | Ozgur No | OEM No | SUB No | Description |
|-----|----------|----------|----------------------|-------------------------------------|
| 1 | OT18023 | R502371 | | Retainer |
| 2 | OT18024 | R502367 | | Cap |
| 3 | OT18026 | R502368 | | Spring |
| 3 | OT18025 | R522728 | | Spring |
| 4 | OT18028 | RE520980 | | Seal |
| 4 | OT18027 | RE532712 | RE530919 | Seal |
| 5 | OT18035 | R502454 | | Valve IN |
| 6 | OT18036 | R502455 | | Valve EX |
| 7 | OT18346 | RE507193 | SE501607 | Cylinder Head Assy Marked : R503561 |
| 7 | OT18347 | RE535828 | SE501608 | Cylinder Head Assy Marked : R522451 |
| 8 | OT18348 | RE533090 | RE507195 RE528707 | Cylinder Head Gasket STD |
| 8 | OT18349 | RE524241 | RE535450 | Cylinder Head Gasket (010 - 020) |

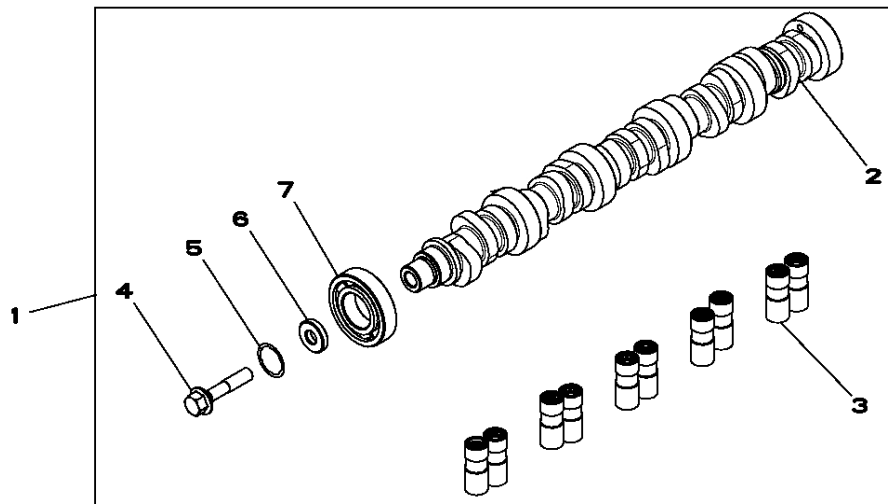
Crankshaft



Crankshaft

| Key | Ozgun No | OEM No | SUB No | Description |
|-----|----------|----------|----------|-------------------|
| 1 | OT18039 | RE520626 | | Main Bearing Std |
| 1 | OT18040 | RE524569 | | Main Bearing 010 |
| 2 | OT18041 | RE520627 | R502796 | Thrust Washer Std |
| 3 | OT18044 | RE504879 | SE501642 | Crankshaft |
| 3 | OT18350 | RE527591 | SE502111 | Crankshaft |
| 3 | OT18351 | RE505340 | SE501643 | Crankshaft |

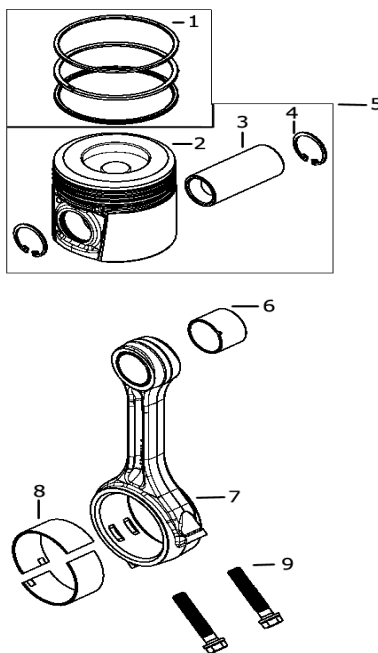
Camshaft



Camshaft

| Key | Ozgur No | OEM No | SUB No | Description |
|-----|----------|----------|----------------------|---------------------------------|
| 1 | OT18352 | RE524772 | SE501619 | Camshaft Kit Camshaft : R516874 |
| 1 | OT18342 | RE533937 | SE502120 | Camshaft Kit Camshaft : R526450 |
| 1 | OT18340 | RE533935 | SE502118 | Camshaft Kit Camshaft : R525719 |
| 1 | OT18343 | RE538987 | SE502122 RE535656 | Camshaft Kit Camshaft : R528329 |
| 2 | OT18353 | R516874 | | Camshaft |
| 3 | OT18053 | RE520885 | RE518776 | Tappet |
| 4 | OT18052 | R517240 | | Screw |
| 5 | OT18011 | R515112 | | Shim |
| 6 | OT18054 | R516770 | | Washer |
| 7 | OT18010 | RE518215 | | Ball Bearing |

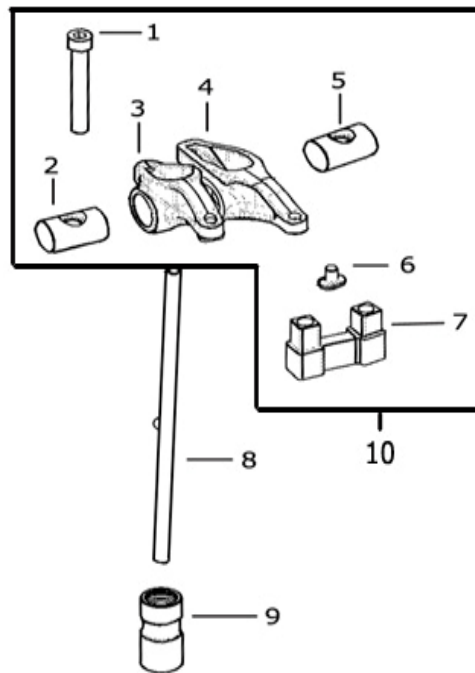
Piston, Connecting Rod



Piston, Connecting Rod

| Key | Ozgur No | OEM No | SUB No | Description |
|-----|----------|----------|----------------------------------|--|
| 1 | OT18057 | RE533955 | | Piston Ring Set std with RE527622 piston |
| 1 | OT18058 | RE520935 | RE543439 | Piston Ring Set std with RE516347 piston |
| 1 | OT18059 | RE524568 | | Piston Ring Set 020 with RE518838 piston |
| 1 | OT18060 | RE524567 | | Piston Ring Set 010 with RE518837 piston |
| 2 | OT18061 | RE527622 | | Piston std with out ring (RE536353 complete with ring) |
| 2 | OT18062 | RE516347 | | Piston std with out ring (RE520936 complete with ring) |
| 2 | OT18063 | RE518838 | | Piston std with out ring (RE524568 complete with ring) |
| 2 | OT18064 | RE526785 | | Piston std with out ring (RE527574 complete with ring) |
| 2 | OT18065 | RE518837 | | Piston 010 with out ring (RE524567 complete with ring) |
| 2 | OT18066 | RE522745 | | Piston 020 with out ring (RE524568 complete with ring) |
| 3 | OT18067 | R503480 | | Piston Pin |
| 4 | OT18068 | 40M1855 | | Piston Pin ring |
| 5 | OT18069 | RE536353 | RE522094 RE543435 RE522308 | Piston std with RE533955 ring assy |
| 5 | OT18070 | RE527574 | RE526785 | Piston std with ring assy |
| 5 | OT18071 | RE524564 | | Piston std with RE524568 ring assy (use RE523913 gasket) |
| 5 | OT18072 | RE520936 | | Piston std with RE520935 ring assy |
| 5 | OT18073 | RE543434 | | Piston std with RE520935 ring assy |
| 5 | OT18074 | RE524563 | RE524565 | Piston 010 with RE524567 ring assy (use RE523913 gasket) |
| 5 | OT18075 | RE524566 | | Piston 020 with RE524568 ring assy (use RE523913 gasket) |
| 6 | OT18076 | OT18076 | | Connecting Rod Bush |
| 7 | OT18077 | RE504544 | SE501898 RE544411 | Connecting Rod Assy |
| 8 | OT18078 | RE520937 | R522089 | Connecting Rod Bearing std |
| 8 | OT18079 | RE524570 | | Connecting Rod Bearing 010 |
| 9 | OT18080 | R502503 | | Screw M10X49 |

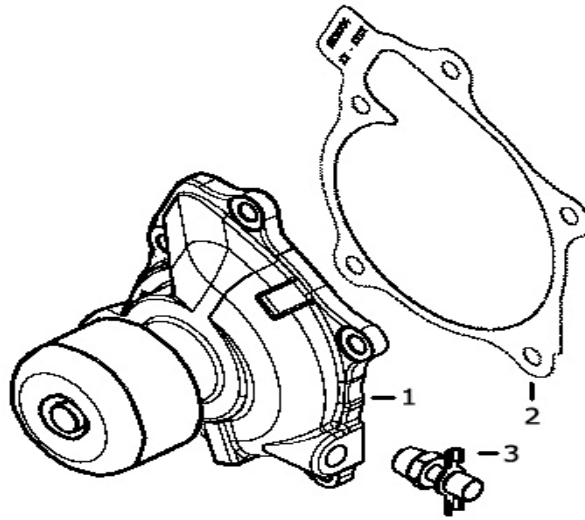
Rocker Arm



Rocker Arm

| Key | Ozgur No | OEM No | SUB No | Description |
|-----|----------|----------|----------|--|
| 1 | OT18081 | 19M8554 | | Bolt |
| 2 | OT18082 | R526970 | R517906 | Rocker Shaft |
| 3 | OT18083 | R527614 | RE518984 | Rocker Arm |
| 4 | OT18084 | R527615 | RE518985 | Rocker Arm |
| 5 | OT18082 | R526970 | R517906 | Rocker Shaft |
| 6 | OT18086 | OT18086 | | Retainer |
| 7 | OT18087 | R522923 | R517905 | Pedestal |
| 8 | OT18088 | RE517136 | | Push Rod |
| 9 | OT18053 | RE518776 | RE520885 | Tappet |
| 10 | OT18086 | RE537249 | | Rocker Arm Assy Marked : R527614/R527615 |
| 10 | OT18354 | RE539589 | RE537549 | Rocker Arm Assy Marked : R527614/R527615 |

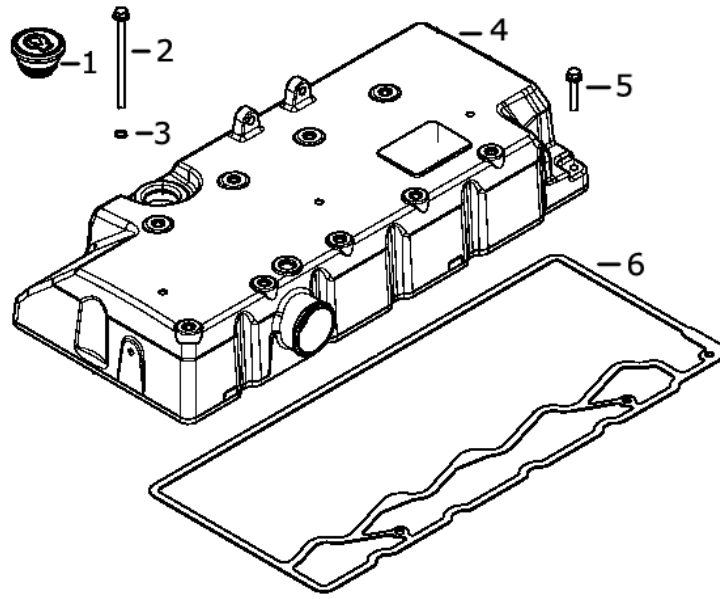
Water Pump



Water Pump

| Key | Ozgun No | OEM No | SUB No | Description |
|-----|----------|----------|----------------------|-------------------|
| 1 | OT18091 | RE507604 | RE545573 SE502114 | Water Pump Assy |
| 2 | OT18093 | R533334 | | Water Pump Gasket |
| 3 | OT18094 | AT13740 | | Drain Valve |

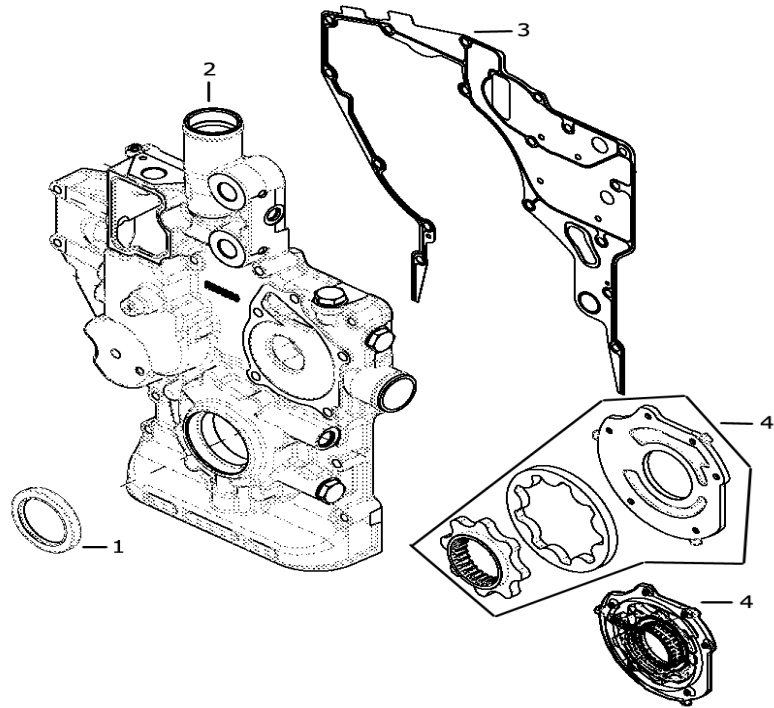
Rocker Cover



Rocker Cover

| Key | Ozgur No | OEM No | Description |
|-----|----------|----------|--------------------|
| 1 | OT18096 | R515057 | Oil Cap |
| 2 | OT18095 | RE517080 | Screw |
| 3 | OT18355 | R26287 | O-Ring |
| 4 | OT18356 | R524578 | Valve Cover |
| 4 | OT18357 | RE509945 | Valve Cover |
| 4 | OT18358 | RE509948 | Valve Cover |
| 5 | OT18359 | 19M7833 | Screw |
| 6 | OT18360 | R522672 | Valve Cover Gasket |

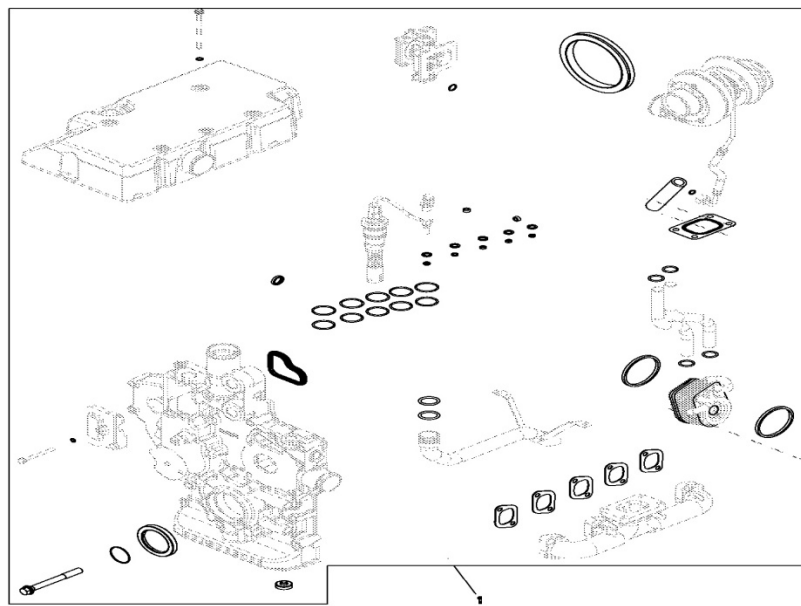
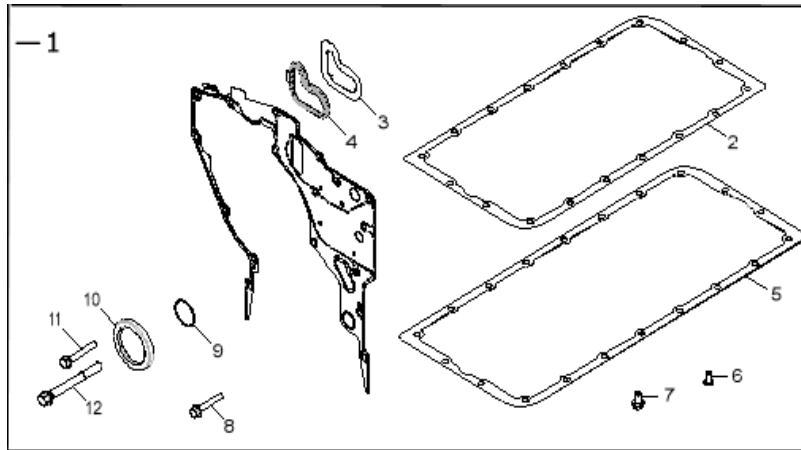
Front Timing Cover



Front Timing Cover

| Key | Ozgur No | OEM No | SUB No | Description |
|-----|----------|----------|----------|--------------------------------------|
| 1 | OT18105 | AR67942 | | Crankshaft Front Seal |
| 2 | OT18107 | RE536432 | RE536427 | Front Cover Marked : R522346-R526985 |
| 2 | OT18108 | RE524837 | RE539047 | Front Cover Marked : R527316-R519653 |
| 3 | OT18109 | R530856 | | Gasket |
| 3 | OT18110 | R531348 | | Gasket |
| 4 | OT18111 | OT18111 | | Oil Pump Assy |

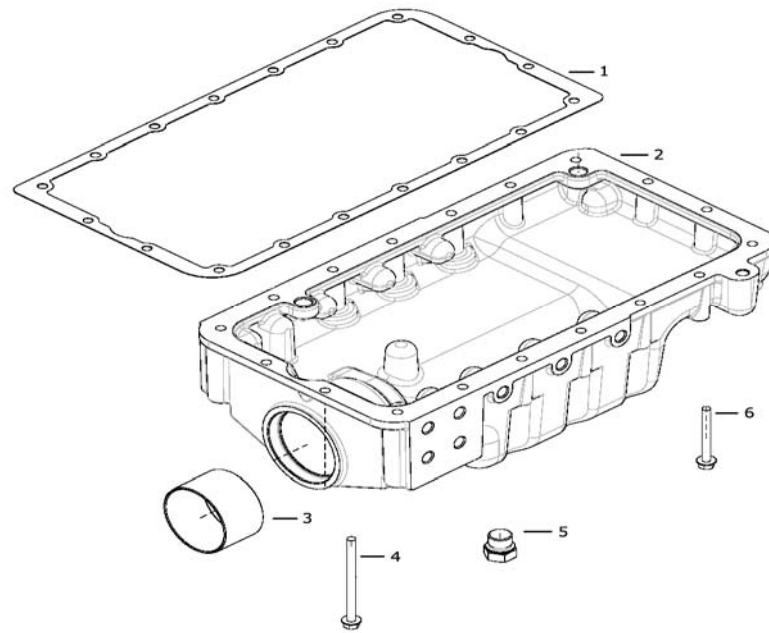
Gasket Set



Gasket Set

| Key | Ozgun No | OEM No | Description |
|-----|----------|----------|------------------------|
| 1 | OT18112 | RE547147 | Engine Full Gasket Set |
| 1 | OT18113 | RE547148 | Engine Full Gasket Set |
| 1A | OT18114 | RE536448 | Engine O-Ring Set |
| 1A | OT18115 | RE524593 | Engine O-Ring Set |

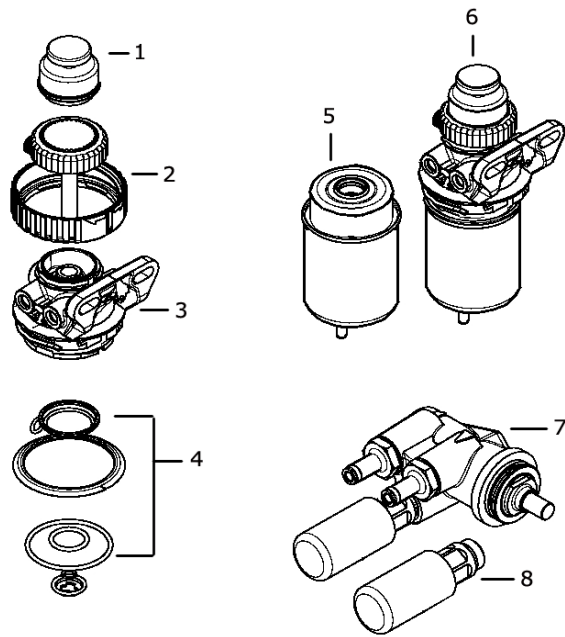
Oil Pan



Oil Pan

| Key | Ozгур No | OEM No | SUB No | Description |
|-----|----------|----------|----------------------|----------------|
| 1 | OT18116 | R528262 | R529215 | Oil Pan Gasket |
| 1 | OT18361 | R528263 | R529216 | Oil Pan Gasket |
| 2 | OT18362 | RE555341 | RE553225 RE526589 | Oil Pan |
| 2 | OT18363 | RE515349 | | Oil Pan |
| 3 | OT18364 | LVU14343 | | Bush |
| 4 | OT18365 | 19M7862 | | Screw M6x20 |
| 4 | OT18366 | 19M7873 | | Screw M8x110 |
| 5 | OT18367 | RE46687 | | Drain Plug |
| 5 | OT18368 | RE523536 | | Drain Plug |
| 5 | OT18367 | RE46687 | | Drain Plug |
| 6 | OT18369 | 19M7902 | | Screw M8x16 |
| 6 | OT18370 | 19M7803 | | Screw M8x70 |

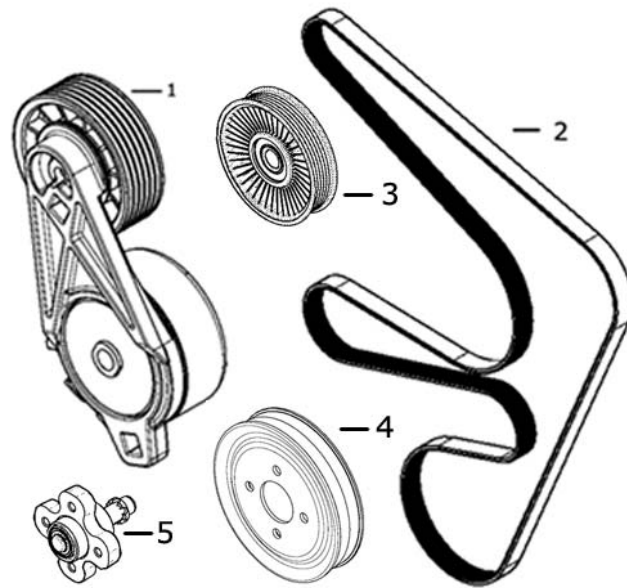
Fuel Filter



Fuel Filter

| Key | Ozgur No | OEM No | SUB No | Description |
|-----|----------|----------|----------------------|-----------------------|
| 1 | OT18120 | RE515404 | | Fuel Filter Hand Pump |
| 2 | OT18121 | RE526834 | | Tap |
| 3 | OT18122 | RE534454 | RE533280 | Filter Head |
| 4 | OT18123 | RE516553 | | Repair Kit |
| 5 | OT18124 | RE533026 | | Fuel Filter only |
| 5 | OT18125 | RE508202 | | Fuel Filter only |
| 6 | OT18122 | RE534454 | RE533280 | Fuel Filter Assy |
| 6 | OT18127 | RE536666 | | Fuel Filter Assy |
| 6 | OT18128 | RE509441 | RE525105 | Fuel Filter Assy |
| 6 | OT18371 | RE509442 | RE525106 | Fuel Filter Assy |
| 6 | OT18129 | RE536663 | | Fuel Filter Assy |
| 7 | OT18130 | RE534346 | | Fuel Pump |
| 7 | OT18131 | RE536662 | | Fuel Pump |
| 7 | OT18132 | RE525101 | RE509778 RE532210 | Fuel Pump |
| 7 | OT18133 | RE525102 | RE515953 RE532211 | Fuel Pump |
| 8 | OT18134 | RE65265 | | Hand Primer |

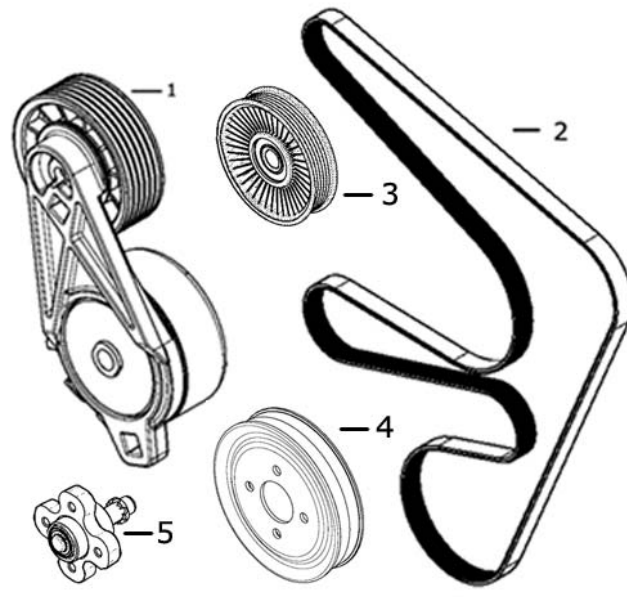
Tensioner Belt



Tensioner Belt

| Key | Ozgun No | OEM No | SUB No | Description |
|-----|----------|----------|--------|---------------------|
| 1 | OT18135 | RE509517 | | Tensioner Belt Assy |
| 1 | OT18136 | RE520217 | | Tensioner Belt Assy |
| 2 | OT18137 | R515222 | | V-Belt 2270mm |
| 2 | OT18138 | R515221 | | V-Belt 2480mm |
| 2 | OT18139 | R523007 | | V-Belt 2370mm |
| 2 | OT18140 | R519408 | | V-Belt 2500mm |
| 2 | OT18141 | R522751 | | V-Belt 2395mm |
| 2 | OT18142 | R527929 | | V-Belt |
| 2 | OT18143 | R527922 | | V-Belt |
| 2 | OT18144 | R527931 | | V-Belt |
| 2 | OT18372 | R527934 | | V-Belt |
| 2 | OT18373 | R527933 | | V-Belt |
| 2 | OT18145 | R527928 | | V-Belt |
| 2 | OT18374 | R527932 | | V-Belt |
| 2 | OT18146 | R505810 | | V-Belt 2245mm |
| 2 | OT18375 | R527921 | | V-Belt |
| 2 | OT18147 | R515217 | | V-Belt 2300mm |
| 2 | OT18376 | R519628 | | V-Belt 2530mm |
| 2 | OT18148 | R527935 | | V-Belt |
| 2 | OT18377 | R523054 | | V-Belt 2630mm |
| 2 | OT18149 | R515218 | | V-Belt 2415mm |
| 2 | OT18150 | R527924 | | V-Belt |
| 2 | OT18151 | R527920 | | V-Belt |
| 2 | OT18152 | R527925 | | V-Belt |
| 2 | OT18153 | R527927 | | V-Belt |
| 2 | OT18154 | R527917 | | V-Belt |
| 2 | OT18155 | R527918 | | V-Belt |
| 2 | OT18156 | R527919 | | V-Belt |
| 2 | OT18157 | R527926 | | V-Belt |
| 2 | OT18158 | R527923 | | V-Belt |

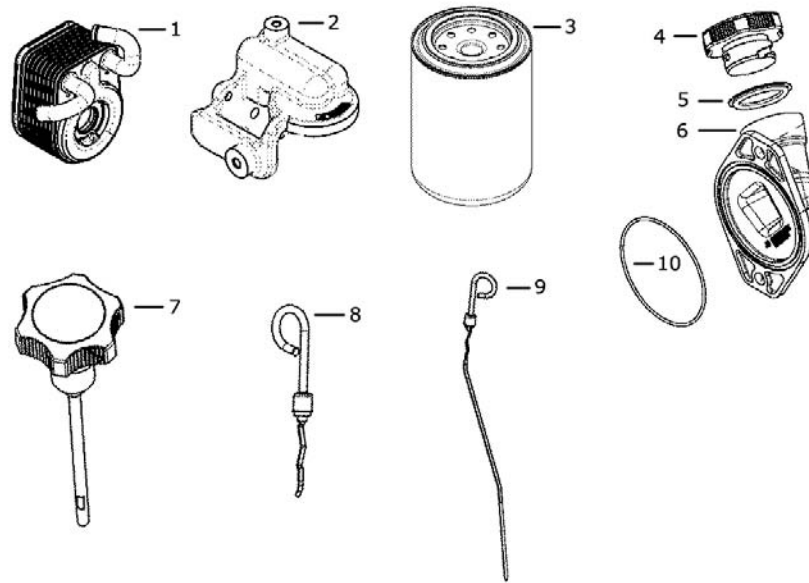
Tensioner Belt



Tensioner Belt

| Key | Ozgur No | OEM No | SUB No | Description |
|-----|----------|----------|----------------------|-----------------------|
| 2 | OT18159 | R527930 | | V-Belt |
| 2 | OT18149 | R517041 | R515218 | V-Belt 2415mm |
| 2 | OT18161 | R517012 | | V-Belt 2465mm |
| 2 | OT18162 | R517039 | | V-Belt 2435mm |
| 3 | OT18163 | RE527250 | RE537940 RE515375 | Tensioner Belt Pulley |
| 3 | OT18164 | RE537861 | | Tensioner Belt Pulley |
| 4 | OT18165 | R519691 | | Pulley |
| 4 | OT18166 | R519693 | | Pulley |
| 5 | OT18167 | RE505621 | | Flange |
| 5 | OT18168 | RE524195 | | Flange |

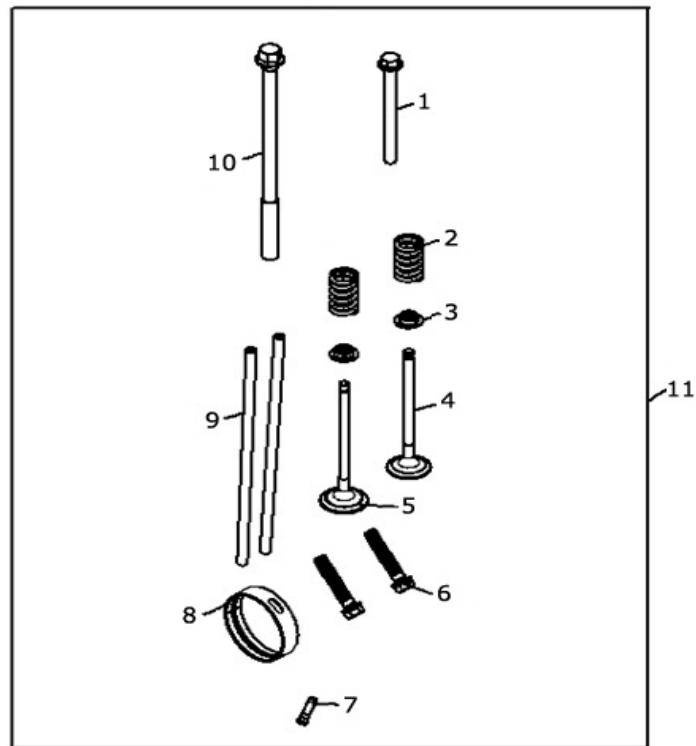
Oil Cooler, Filter



Oil Cooler, Filter

| Key | Ozgur No | OEM No | SUB No | Description |
|-----|----------|----------|----------|---------------------|
| 1 | OT18170 | RE515469 | | Oil Cooler Assy |
| 2 | OT18171 | RE538283 | RE532732 | Oil Filter Head |
| 2 | OT18172 | R522476 | | Oil Filter Head |
| 3 | OT18173 | RE519626 | | Oil Filter |
| 4 | OT18174 | RE535560 | | Oil Cap |
| 5 | OT18176 | R502902 | | Oil Cap O-Ring |
| 6 | OT18177 | RE529865 | | Oil Cap Body |
| 7 | OT18178 | RE506791 | | Dipstick |
| 8 | OT18179 | RE518407 | | Dipstick |
| 9 | OT18180 | RE509922 | | Dipstick |
| 10 | OT20758 | T20758 | | Oil Cap Body O-Ring |

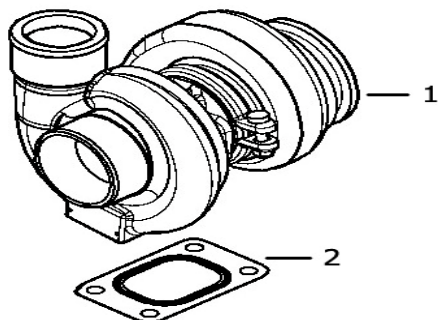
Engine Repair Kit



Engine Repair Kit

| Key | Ozgur No | OEM No | SUB No | Description |
|-----|----------|----------|----------|---|
| 1 | OT18020 | 19M8986 | | Bolt |
| 2 | OT18183 | R522728 | | Spring |
| 2 | OT18026 | R502368 | | Spring |
| 3 | OT18027 | RE532712 | RE530919 | Retainer |
| 3 | OT18028 | RE520980 | | Retainer |
| 4 | OT18035 | R502454 | | Engine Valve |
| 5 | OT18036 | R502455 | | Engine Valve |
| 6 | OT18080 | R502503 | | Con.Rod Bush |
| 7 | OT18188 | R505135 | | Orifice |
| 8 | OT18016 | R504808 | | Camshaft Bush |
| 9 | OT18088 | RE517136 | | Push Rod |
| 10 | OT18021 | R516693 | | Bolt |
| 11 | OT18192 | RE536436 | | Engine Cylinder Head Overhaul Kit PER CYLINDER |
| 11 | OT18193 | RE525747 | | Engine Cylinder Head Overhaul Kit PER CYLINDER |

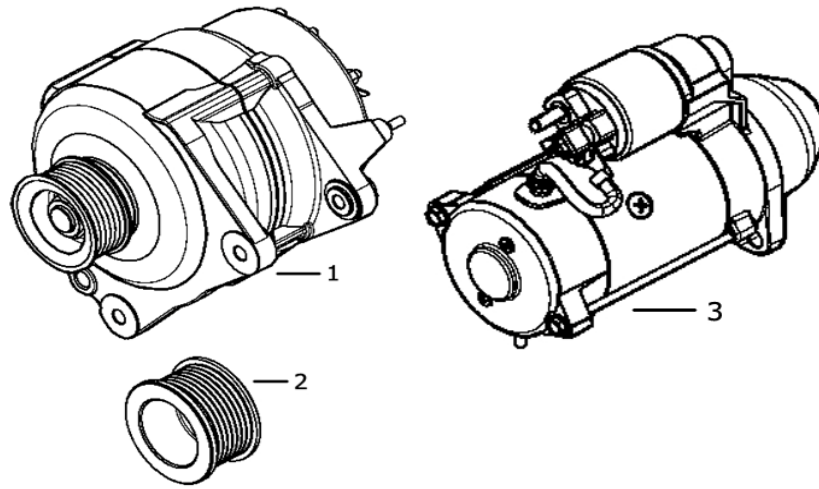
Turbo Charger



Turbo Charger

| Key | Ozgur No | OEM No | SUB No | Description |
|-----|----------|----------|--|--------------|
| 1 | OT18194 | RE530366 | SE502477 | Turbocharger |
| 1 | OT18378 | RE519536 | RE518235 SE502371 | Turbocharger |
| 1 | OT18379 | RE519535 | | Turbocharger |
| 1 | OT18380 | RE518234 | SE502193 RE519535 | Turbocharger |
| 1 | OT18196 | RE518228 | SE501678 SE518233 | Turbocharger |
| 1 | OT18198 | RE519539 | RE524160 | Turbocharger |
| 1 | OT18199 | RE507842 | SE502358 RE524892 RE519538 RE518457 | Turbocharger |
| 1 | OT18200 | RE529383 | SE502481 | Turbocharger |
| 1 | OT18201 | RE520304 | RE520302 RE524161 | Turbocharger |
| 1 | OT18202 | RE520303 | | Turbocharger |
| 1 | OT18381 | RE523345 | RE523343 SE502350 | Turbocharger |
| 1 | OT18204 | RE519528 | | Turbocharger |
| 1 | OT18205 | RE518226 | SE502214 RE524003 | Turbocharger |
| 1 | OT18382 | RE524959 | | Turbocharger |
| 1 | OT18208 | RE531872 | SE502484 | Turbocharger |
| 1 | OT18383 | RE534966 | SE502501 | Turbocharger |
| 1 | OT18209 | RE531875 | SE502487 | Turbocharger |
| 1 | OT18384 | RE534967 | SE502502 | Turbocharger |
| 1 | OT18211 | RE530407 | SE502482 | Turbocharger |
| 1 | OT18213 | RE531874 | SE502486 | Turbocharger |
| 1 | OT18215 | RE532807 | SE502494 | Turbocharger |
| 1 | OT18216 | RE532722 | SE502490 | Turbocharger |
| 1 | OT18385 | RE535742 | SE502478 | Turbocharger |
| 1 | OT18386 | RE535743 | SE502505 | Turbocharger |
| 1 | OT18221 | RE533600 | SE502479 | Turbocharger |
| 1 | OT18222 | RE533601 | SE502497 | Turbocharger |
| 1 | OT18223 | RE533602 | SE502480 | Turbocharger |
| 2 | OT18224 | R515197 | | Gasket |

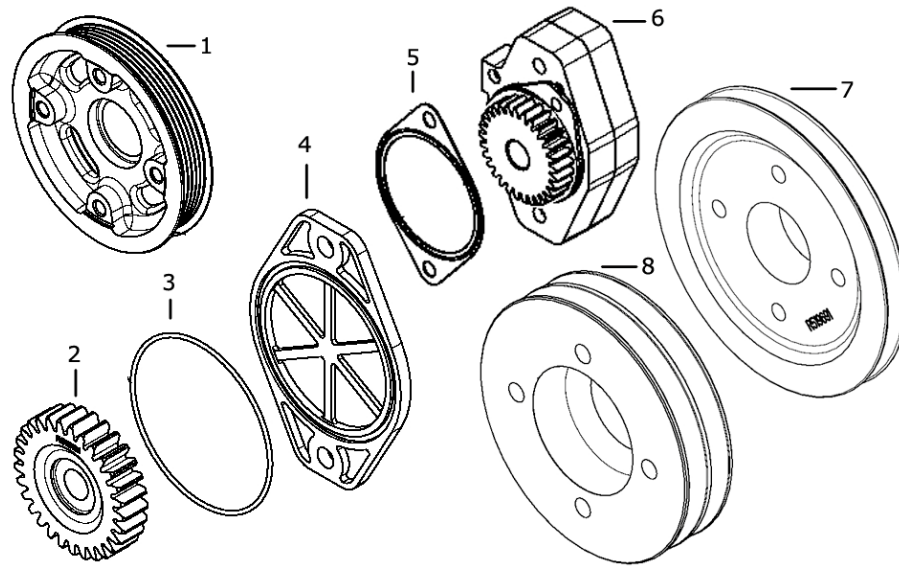
Starter, Alternator



Starter, Alternator

| Key | Ozgur No | OEM No | SUB No | Description |
|-----|----------|----------|----------------------|---------------------------|
| 1 | OT18225 | RE529377 | RE509648 SE501831 | Alternator 12V 70A BOSCH |
| 1 | OT18226 | AH165975 | SE501343 | Alternator 12V 120A BOSCH |
| 1 | OT18227 | RE522401 | | Alternator 24V 50A ISKRA |
| 1 | OT18228 | RE509080 | | Alternator 12V 65A DENSO |
| 2 | OT18229 | R503309 | | Pulley |
| 2 | OT18230 | R501486 | | Pulley |
| 3 | OT18231 | RE508922 | SE501844 | Starter 12V 2.2kw BOSCH |
| 3 | OT18232 | RE531243 | | Starter 12V 2.6kw ISKRA |
| 3 | OT18233 | RE525885 | | Starter 24V 3.0kw ISKRA |

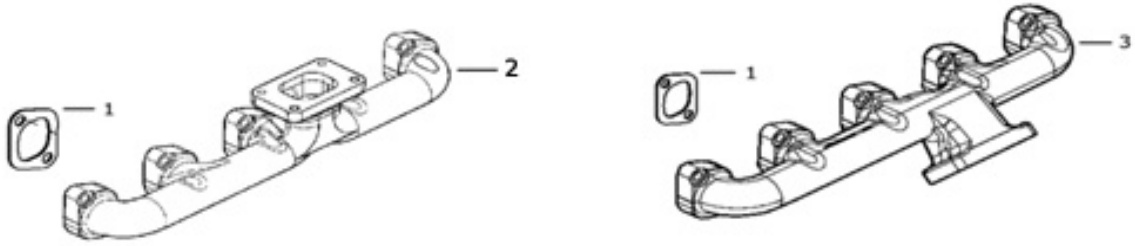
Auxiliary Drive



Auxiliary Drive

| Key | Ozgur No | OEM No | SUB No | Description |
|-----|----------|----------|---------|---------------------|
| 1 | OT18234 | RE520244 | | Pulley |
| 1 | OT18235 | RE523315 | | Pulley |
| 2 | OT18236 | RE518778 | R515151 | Gear Z:29 |
| 2 | OT18388 | R526417 | | Gear |
| 2 | OT18389 | R526564 | | Gear |
| 2 | OT18237 | R520427 | | Gear Z:29 |
| 2 | OT18238 | R522569 | | Gear |
| 3 | OT20758 | T20758 | | O-Ring |
| 4 | OT18240 | R135757 | | Flange |
| 5 | OT18241 | R96934 | | Flange Gasket |
| 5 | OT18242 | R522690 | | Flange Gasket |
| 6 | OT18243 | RE524153 | | Drive Pump Assy |
| 6 | OT18390 | RE524513 | | Drive Pump Assy |
| 6 | OT18244 | RE532474 | | Drive Pump Assy |
| 7 | OT18245 | R505808 | | Pulley single grove |
| 7 | OT18246 | R516400 | | Pulley single grove |
| 8 | OT18247 | R516401 | | Pulley double grove |
| 8 | OT18248 | R520415 | | Pulley double grove |
| 8 | OT18249 | R520414 | | Pulley double grove |
| 8 | OT18250 | R520462 | | Pulley double grove |

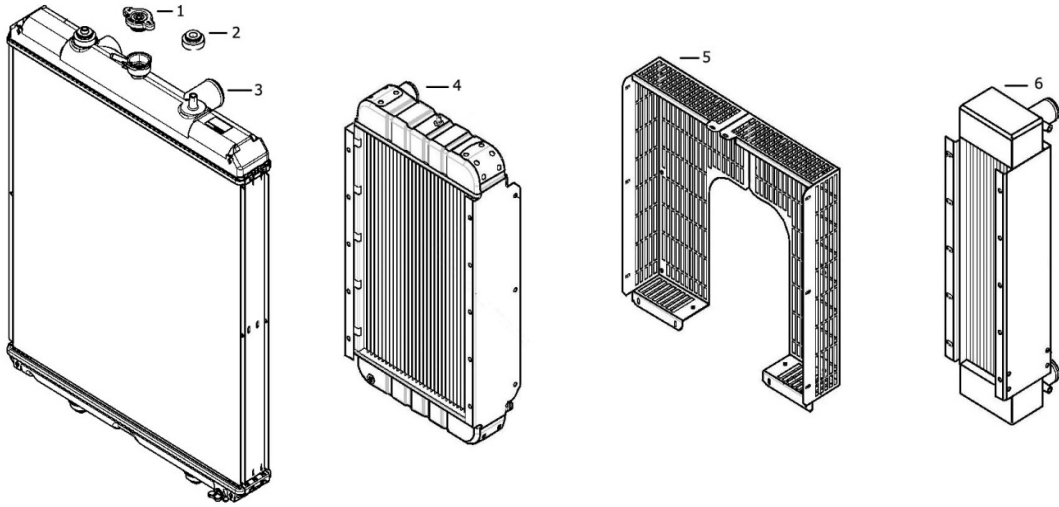
Exhaust Manifold



Exhaust Manifold

| Key | Ozgur No | OEM No | SUB No | Description |
|-----|----------|---------|--------|------------------|
| 1 | OT18251 | R515296 | | Manifold Gasket |
| 2 | OT18391 | R518559 | | Exhaust Manifold |
| 3 | OT18392 | R521094 | | Exhaust Manifold |

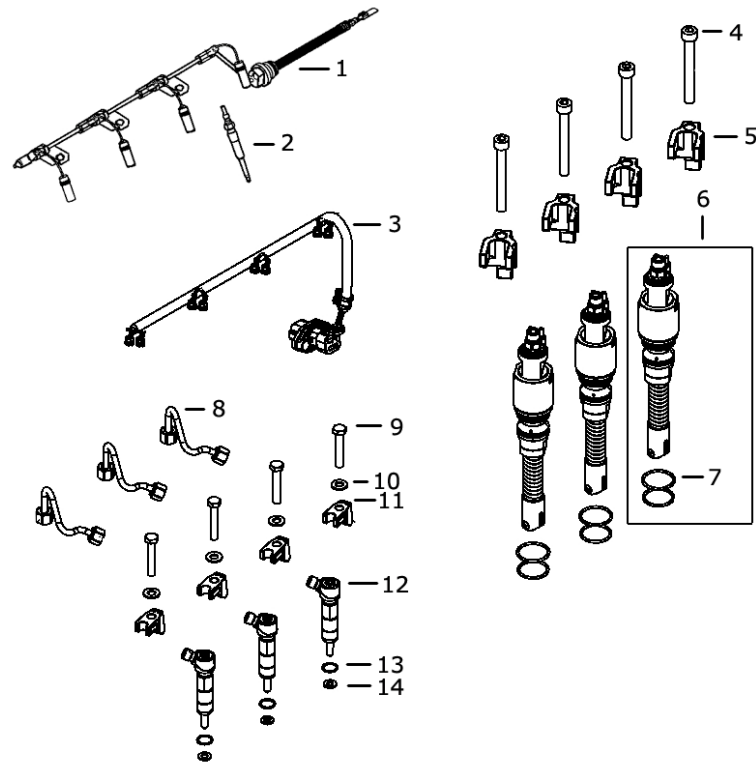
Radiator Assy



Radiator Assy

| Key | Ozgur No | OEM No | Description |
|-----|----------|----------|---------------|
| 1 | OT18256 | KV25481 | Radiator Cap |
| 1 | OT18257 | RE62985 | Radiator Cap |
| 2 | OT18258 | LVU16044 | Grommet |
| 3 | OT18259 | KV23226 | Radiator Assy |
| 4 | OT18260 | RE535014 | Radiator Assy |
| 4 | OT18261 | KV24895 | Radiator Assy |
| 4 | OT18262 | RE535016 | Radiator Assy |
| 5 | OT18263 | KV25954 | Shroud |
| 5 | OT18264 | RE522107 | Shroud |
| 5 | OT18265 | RE535022 | Shroud |
| 5 | OT18266 | RE535040 | Shroud |
| 6 | OT18267 | KV25794 | Aftercooler |
| 6 | OT18268 | RE535039 | Aftercooler |

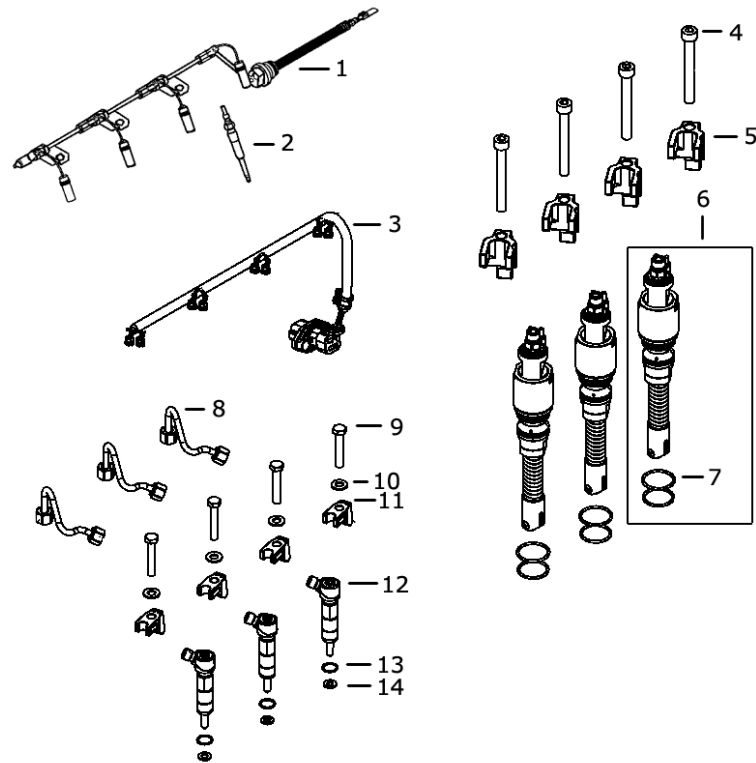
Fuel Pump, Injection System



Fuel Pump, Injection System

| Key | Ozgur No | OEM No | SUB No | Description |
|-----|----------|----------|----------------------------------|---------------------|
| 1 | OT18393 | RE521505 | | Wiring Harness |
| 1 | OT18394 | RE528597 | | Wiring Harness |
| 1 | OT18395 | RE509889 | | Wiring Harness |
| 2 | OT18271 | RE505867 | | Glow Plug 12V |
| 2 | OT18272 | RE522425 | | Glow Plug 12V |
| 3 | OT18396 | RE529582 | | Wiring Harness |
| 4 | OT18274 | 19M8574 | | Screw M10x85 |
| 5 | OT18397 | R522327 | | Clamp |
| 6 | OT18276 | RE534960 | SE501960 | Fuel Inj. Pump assy |
| 6 | OT18278 | RE530790 | RE515803 RE526485 SE502053 | Fuel Inj. Pump assy |
| 6 | OT18398 | RE30796 | RE522567 RE526492 SE502059 | Fuel Inj. Pump assy |
| 6 | OT18399 | RE530791 | SE502054 | Fuel Inj. Pump assy |
| 6 | OT18400 | RE527598 | RE502049 | Fuel Inj. Pump assy |
| 6 | OT18401 | RE530795 | RE522566 RE526491 SE502058 | Fuel Inj. Pump assy |
| 6 | OT18402 | RE530794 | RE522563 RE526489 SE502057 | Fuel Inj. Pump assy |
| 6 | OT18403 | RE527599 | SE502050 | Fuel Inj. Pump assy |
| 6 | OT18404 | RE530792 | RE520132 RE526487 SE502055 | Fuel Inj. Pump assy |

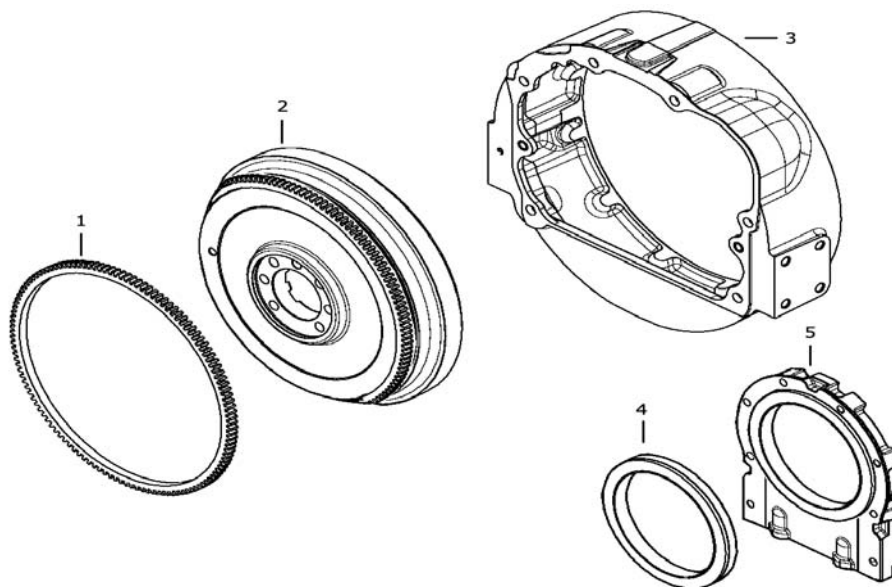
Fuel Pump, Injection System



Fuel Pump, Injection System

| Key | Ozgur No | OEM No | SUB No | Description |
|-----|----------|----------|----------------------------------|---------------------|
| 6 | OT18405 | RE530797 | SE502060 RE522617 RE526493 | Fuel Inj. Pump assy |
| 7 | OT18283 | RE532137 | | O-Ring Kit |
| 7 | OT18406 | RE521173 | | O-Ring Kit |
| 7 | OT18407 | RE521175 | | O-Ring Kit |
| 7 | OT18408 | RE521176 | | O-Ring Kit |
| 8 | OT18284 | RE528738 | | Fuel Line |
| 8 | OT18409 | RE522410 | | Fuel Line |
| 8 | OT18410 | RE542716 | | Fuel Line |
| 9 | OT18285 | 19M2972 | | Cap Screw |
| 9 | OT18411 | 19M9766 | | Cap Screw M10X45 |
| 10 | OT18286 | T27860 | | Washer |
| 11 | OT18275 | R522618 | | Clamp |
| 11 | OT18412 | R502996 | | Clamp |
| 11 | OT18413 | R524622 | | Clamp |
| 12 | OT18288 | RE528525 | SE501961 | Inj. Nozzle |
| 12 | OT18414 | RE529390 | SE501962 | Inj. Nozzle |
| 12 | OT18415 | RE542715 | | Inj. Nozzle |
| 13 | OT18289 | RE532825 | | Seal Kit |
| 14 | OT18289 | RE532825 | | Seal Kit |

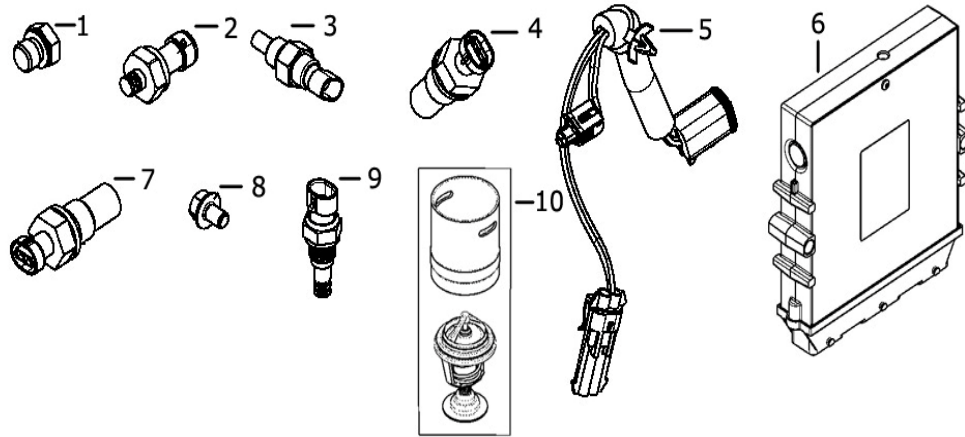
Flywhell Assy



Flywhell Assy

| Key | Ozgur No | OEM No | SUB No | Description |
|-----|----------|----------|---------------------|-----------------------|
| 1 | OT18291 | R519447 | R505120 | Ring Gear Z:127 |
| 2 | OT18292 | RE515709 | R515271 | Flywhell Assy |
| 2 | OT18293 | RE516583 | R516176 RE530743 | Flywhell Assy |
| 2 | OT18294 | RE519734 | R517487 RE530744 | Flywhell Assy |
| 2 | OT18416 | RE523044 | R519658 | Flywhell Assy |
| 2 | OT18417 | RE523045 | R519660 | Flywhell Assy |
| 2 | OT18297 | RE529623 | R523104 | Flywhell Assy |
| 2 | OT18298 | RE529624 | R523105 | Flywhell Assy |
| 2 | OT18299 | RE526652 | R521431 | Flywhell Assy |
| 2 | OT18301 | RE529625 | R523106 | Flywhell Assy |
| 2 | OT18418 | RE523688 | R520300 | Flywhell Assy |
| 2 | OT18419 | RE528112 | R522427 | Flywhell Assy |
| 2 | OT18302 | RE530747 | R524079 | Flywhell Assy |
| 2 | OT18303 | RE530348 | R523498 | Flywhell Assy |
| 2 | OT18304 | RE532680 | R525043 | Flywhell Assy |
| 3 | OT18305 | R526026 | R503438 | Flywhell Housing |
| 3 | OT18306 | R526027 | R516246 | Flywhell Housing |
| 3 | OT18296 | R526029 | | Flywhell Housing |
| 3 | OT18295 | R526025 | | Flywhell Housing |
| 3 | OT18307 | R519615 | | Flywhell Housing |
| 3 | OT18308 | R526969 | R523497 | Flywhell Housing |
| 3 | OT18309 | R520454 | | Flywhell Housing |
| 4 | OT18311 | RE44574 | | Crankshaft Seal Rear |
| 5 | OT18312 | RE521003 | | Seal Kit inc. RE44574 |
| 5 | OT18313 | R515025 | | Housing w/o RE44574 |

Switch



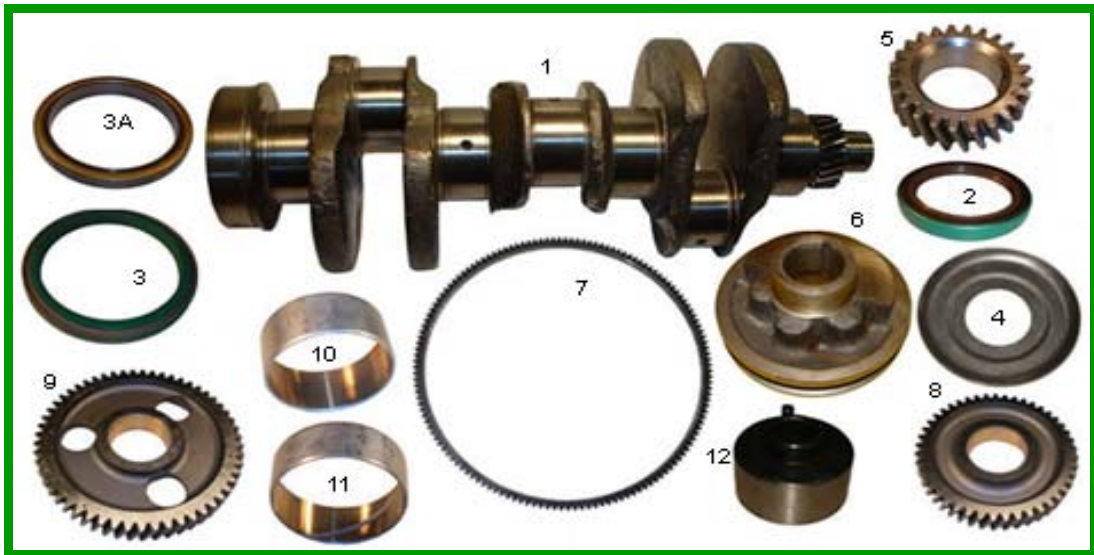
Switch

| Key | Ozgur No | OEM No | SUB No | Description |
|-----|----------|----------|----------------------|--------------------|
| 1 | OT18314 | RE46684 | | Fitting Plug |
| 2 | OT18315 | RE167207 | | Sensor |
| 3 | OT18316 | RE48419 | | Sensor |
| 4 | OT18317 | RE519144 | | Sensor |
| 5 | OT18318 | RE534416 | | Wiring Harness |
| 5 | OT18420 | RE529621 | | Wiring Harness |
| 5 | OT18421 | RE520167 | | Wiring Harness |
| 5 | OT18422 | RE527545 | | Wiring Harness |
| 5 | OT18319 | RE534417 | | Wiring Harness |
| 6 | OT18320 | RE528702 | | Engine Controller |
| 6 | OT18423 | RE523965 | | Engine Controller |
| 6 | OT18424 | RE523964 | | Engine Controller |
| 6 | OT18425 | RE523330 | | Engine Controller |
| 6 | OT18426 | RE523963 | | Engine Controller |
| 6 | OT18321 | RE528703 | | Engine Controller |
| 7 | OT18317 | RE519144 | | Sensor |
| 8 | OT18325 | RE524730 | | Screw |
| 9 | OT18326 | RE525016 | | Thermocouple |
| 10 | OT18327 | RE526915 | RE506111 RE527857 | Thermostat Kit 89C |
| 10 | OT18328 | RE543179 | | Thermostat Kit |
| 10 | OT18330 | RE543178 | | Thermostat Kit |

300 SERIES 3.152 ENGINES

| | |
|--------------------------------------|--|
| ENGINE TYPE / SERIAL / SERIES | 3152D / <-154765 / 300 |
| CYL / BORE (MM) / PIN (MM) | 3 / 98,00 / 30,00 |
| DETAILS | Orings on liner, AR51902 |
| AGRICULTURAL | TRACTOR MODEL; 820(<-074999),920(<-074999),1020(<-085099) |
| INDUSTRIAL | BACKHOE LOADER; 300A (<-710723) CRAWLER; 350 (Crawler Tractor <-101609) |
| ENGINE TYPE / SERIAL / SERIES | 3152D / 154766-> / 300 |
| CYL / BORE (MM) / PIN (MM) | 3 / 98,00 / 30,00 |
| DETAILS | Orings on block, liner T32340 |
| AGRICULTURAL | TRACTOR MODEL; 820(075000->),830(nort amaerican) 920(075000->) |
| INDUSTRIAL | BACKHOE LOADER; 300A (710724->),300B (<-710723) CRAWLER; 350 (Crawler Tractor 101610->), 350B (Tractor <-101609),350C (Bulldozer 329334-590074) FORKLIFT; 380 |

Crankshaft and components



| Key | Ozgur No | OEM No | SUB No | Description |
|-----|----------|---------|---------|--------------------------|
| 1 | OZ10001 | RE46896 | AT18031 | Crankshaft |
| 2 | OZ10021 | AR67942 | AT21608 | Seal,Front |
| 3 | OZ10020 | RE44574 | | Seal,Rear |
| 3 | OT10001 | AR92893 | AT22965 | Seal,Rear |
| 4 | OZ10022 | T20046 | | Silinger,Seal Front |
| 5 | OZ10023 | T20094 | | Gear,Crankshaft |
| 6 | OZ10024 | R59915 | T25366 | Pulley,Crankshaft |
| 7 | OZ11804 | R114282 | T20088 | Ring Gear |
| 8 | OZ10617 | AR91660 | AT18009 | Gear,Cranshaft Idler,Up |
| 9 | OZ10618 | AT24252 | T26322 | Gear,Cranshaft Idler,Low |
| 10 | OZ10622 | T20034 | | Bush,Up |
| 11 | OZ10620 | T26321 | | Bush,Low |
| 12 | OZ10619 | R109863 | T26323 | Pin |

Piston Kit and Connecting rod



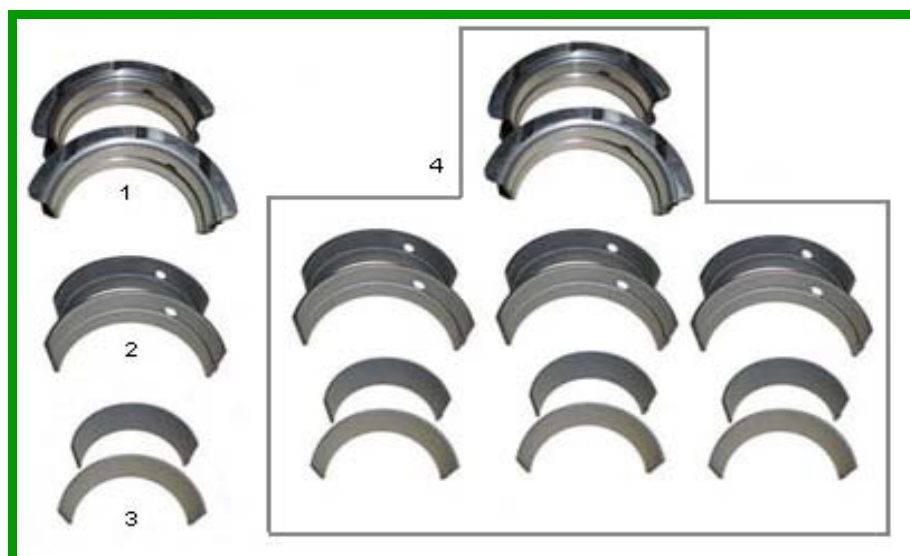
| Key | Ozgur No | OEM No | SUB No | Description |
|-----|----------|---------|---------|---|
| 1 | OZ10251 | | | Piston-Liner Kit,(<-154765), (Kit contents:T23481,AR70633, AR51902,OZ10290) |
| 1 | OZ10243 | AR71591 | | Piston-Liner Kit,(154765->), (Kit contents:T23481,AR70633, T32340, AR71617) |
| 2 | OZ10227 | T23481 | | Piston |
| 3 | OZ10230 | AR70633 | AR55758 | Ring |
| 4 | OZ10238 | AR51902 | T20085 | Liner(<-154765) |
| 4 | OZ10228 | T32340 | | Liner(154765->) |
| 5 | OZ10290 | | | Seal Kit, For AR51902 Liner ,(Kit contents: R48637,2 Pcs, R48638) |
| 5A | OZ10290 | R48637 | | WASHER |
| 5B | OZ10290 | R48638 | | O-RING |
| 5C | OZ10212 | AR71617 | | Seal Kit, For T32340 Liner |
| 6 | OT10002 | T23482 | | Pin |
| 7 | OZ10026 | R51112 | M67T | Snap Ring |
| 8 | OZ10244 | RE19733 | AT18005 | Connecting Rod |
| 9 | OZ10215 | T23471 | | Bushing,Conrod |
| 10 | OZ10219 | R74194 | T20009 | Bolt,Conrod |
| 11 | OT10003 | | | Pin Kit |

Overhaul Kit



| Ozgun No | OEM No | Kit contents | | | Description |
|----------|-------------|--------------|-------------------|--------|-----------------------------|
| | | Part No | Description | Pieces | |
| OZ00152 | | OZ10251 | Piston Kit | 3 | Overhaul Kit, (-<154765) |
| | | OZ10034 | Bearing Set,Std | 1 | |
| | | R79623 | Valve,Intake,Std | 3 | |
| | | R79624 | Valve,Exhaust,Std | 3 | |
| | | T23471 | Bushing | 3 | |
| | | AR67942 | Seal,Front | 1 | |
| | | RE44574 | Seal,Rear | 1 | |
| | | RE524747 | Full Gasket | 1 | |
| OZ00152L | | Part No | Description | Pieces | Overhaul Kit, (154765->) |
| | | AR71591 | Piston Kit | 3 | |
| | | OZ10034 | Bearing Set,Std | 1 | |
| | | R79623 | Valve,Intake,Std | 3 | |
| | | R79624 | Valve,Exhaust,Std | 3 | |
| | | T23471 | Bushing | 3 | |
| | | AR67942 | Seal,Front | 1 | |
| | | RE44574 | Seal,Rear | 1 | |
| RE524747 | Full Gasket | 1 | | | |

Bearing



| Key | Ozgur No | OEM No | SUB No | Description |
|-----|----------|----------|---------|--|
| 1 | OZ10010 | RE521350 | AT21139 | Thrust Bearing,Std |
| 1 | OZ10011 | RE526754 | AT21132 | Thrust Bearing,010 |
| 1 | OZ10012 | RE527235 | AT21134 | Thrust Bearing,020 |
| 1 | OZ10013 | RE527236 | AT21136 | Thrust Bearing,030 |
| 1 | OZ10014 | AT21130 | | Thrust Bearing,040 |
| 2 | OZ10005 | RE27352 | AT21140 | Main Bearing,Std. |
| 2 | OZ10006 | RE27353 | AT21110 | Main Bearing,010 |
| 2 | OZ10007 | RE27360 | AT21112 | Main Bearing,020 |
| 2 | OZ10008 | RE27368 | AT21114 | Main Bearing,030 |
| 2 | OZ10009 | AT21108 | | Main Bearing,040 |
| 3 | OZ10015 | RE27348 | AT21138 | Con Rod Bearing, Std. |
| 3 | OZ10016 | RE27349 | AT21124 | Con Rod Bearing, 010 |
| 3 | OZ10017 | RE27358 | AT21126 | Con Rod Bearing, 020 |
| 3 | OZ10018 | RE27364 | AT21128 | Con Rod Bearing, 030 |
| 3 | OZ10019 | AT21122 | | Con Rod Bearing, 040 |
| 4 | OZ10034 | OZ10034 | | Bearing Set,Std. , (Kit contents: RE521350 , RE27352,3 pcs, RE27348,3 pcs) |
| 4 | OZ10035 | OZ10035 | | Bearing Set,010, (Kit contents: RE526754, RE27353,3 pcs, RE27349,3 pcs) |
| 4 | OZ10036 | OZ10036 | | Bearing Set,020 , (Kit contents: RE527235, RE27360,3 pcs, RE27358,3 pcs) |
| 4 | OZ10037 | OZ10037 | | Bearing Set,030 , (Kit contents: RE527236, RE27368,3 pcs, RE27364,3 pcs) |
| 4 | OZ10038 | OZ10038 | | Bearing Set,040 , (Kit contents: AT21130, AT21108,3 pcs, AT21122,3 pcs) |

Valve and Camshaft



| Key | Ozgun No | OEM No | SUB No | Description |
|-----|----------|----------|---------|---------------------------|
| 1 | OZ10401 | R79623 | R52251 | Valve,Intake,Std |
| 1 | OZ10402 | R79628 | R57332 | Valve,Intake,003 |
| 1 | OZ10403 | R79629 | R57334 | Valve,Intake,015 |
| 2 | OZ10404 | R79624 | R52252 | Valve,Exhaust,Std |
| 2 | OZ10405 | R79625 | R57333 | Valve,Exhaust,003 |
| 2 | OZ10406 | R79626 | R57335 | Valve,Exhaust,015 |
| 3 | OZ10414 | R119707 | AR79622 | Camshaft,W/O Gear |
| 4 | OZ10417 | T20070 | | Gear,Camshaft |
| 5 | OZ10408 | R82896 | T20310 | Push Rod |
| 6 | OZ10407 | T20073 | | Tappet |
| 7 | OZ10413 | T20129 | | Cap |
| 8 | OZ10412 | T20077 | | Retainer |
| 9 | OZ10411 | RE11410 | T20176 | Rotator |
| 10 | OZ10410 | R26125 | | Spring |
| 11 | OZ10409 | RE508317 | RE31973 | Rocker Arm |
| 12 | OZ10419 | RE519735 | R54985 | Shaft |
| 13 | OZ10421 | R123161 | T20315 | Support, Rocker Arm Shaft |
| 14 | OT10004 | R73064 | R97779 | Insert,Valve Inlet |
| 15 | OT10005 | R51734 | R97778 | Insert,Valve Exhaust |
| 16 | OT10006 | R87627 | | O-Ring, for RE11410 |

Oil Pump



| Key | Ozgur No | OEM No | SUB No | Description |
|-----|----------|---------|---------|---------------------|
| 1 | OZ10601 | RE52020 | RE35685 | Oil Pump Assy |
| 2 | OZ10623 | RE15381 | | Oil Pump |
| 3 | OZ10603 | AR62978 | | Shaft Gear,Oil Pump |
| 4 | OZ10604 | R54614 | | Gear,Oil Pump |
| 5 | OZ10602 | AR62979 | | Housing,Oil Pump |
| 6 | OZ10606 | RE36425 | AR60701 | Strainer,Oil Pump |
| 7 | OZ10613 | T20050 | | Tube,Oil Pump |
| 8 | OZ10605 | R53382 | | Cover,Oil Pump |
| 9 | OZ10612 | T20298 | | Gear |

Oil Cooler and Oil Filter



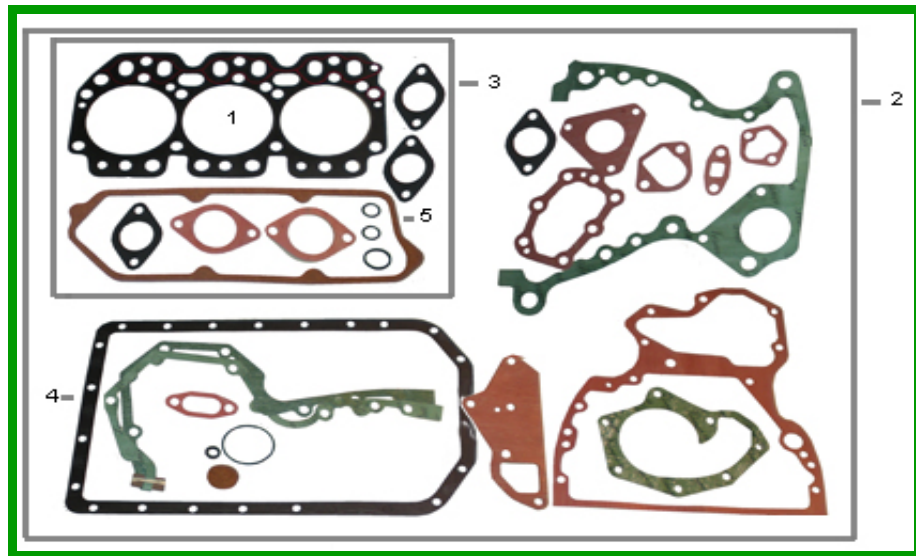
| Key | Ozgun No | OEM No | SUB No | Description |
|-----|----------|----------|----------|---------------------|
| 1 | OZ11402 | T23620 | | Cover,Thermostat |
| 2 | OZ11405 | RE33705 | AT22961 | Thermostat,82c |
| 3 | OZ11403 | T20277 | | Hose,Thermostat |
| 4 | OZ11909 | T19044 | | Oil Filter |
| 5 | OZ11908 | AR78192 | AT21534 | Dipstick |
| 6 | OZ11805 | AT85174 | AR27977 | Switch,Oil |
| 7 | OZ11811 | T20294 | R90788 | Cover,Oil |
| 8 | OZ11813 | AR100124 | AR103811 | Screw |
| 9 | OZ12406 | RE51774 | AL24527 | Switch, Water Temp. |
| 10 | OZ10911 | AL71285 | AT20848 | Oil Cooler |
| 11 | OZ10913 | L35845 | T24760 | Hose,Oil Cooler |

Fuel System



| Key | Ozgur No | OEM No | SUB No | Description |
|-----|----------|----------|---------|----------------|
| 1 | OZ11613 | RE527115 | DD13483 | Fuel Pump |
| 2 | OZ11614 | RE526203 | AR60559 | Kit,Fuel Pump |
| 3 | OZ11617 | T30738 | R82131 | Elbow |
| 4 | OZ11615 | AR50041 | | Fuel Filter |
| 5 | OZ11001 | AR89564 | AR89563 | Nozzle |
| 6 | OZ11002 | AT27622 | | Kit |
| 7 | OZ11007 | AR85618 | | Kit |
| 8 | OZ11003 | R60746 | R34764 | Seal |
| 9 | OZ11004 | R48000 | R34767 | Seal |
| 10 | OZ11005 | R34760 | | Clamp |
| 11 | OZ11006 | R68283 | T27465 | Hose |
| 12 | OZ10624 | AR85710 | AT27917 | Gear,Fuel Pump |

Gasket Set

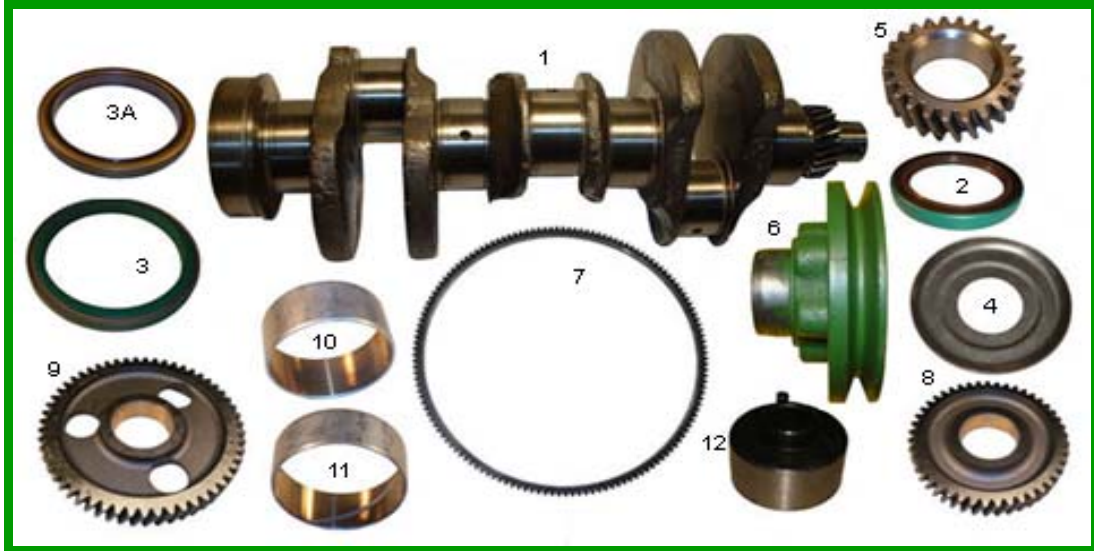


| Key | Ozgur No | OEM No | SUB No | Description |
|-----|----------|----------|----------|---------------------|
| 1 | OT10007 | R98460 | R52789 | Head Gasket |
| 2 | OT10008 | RE524747 | RE38570 | Full Gasket |
| 3 | OT10009 | RE38848 | AR102295 | Top Gasket |
| 4 | OZ11213 | R97341 | R49514 | Gasket,Oil Pan |
| 5 | OZ11210 | R75729 | T20111 | Gasket,Rocker Cover |

300 SERIES 3.164 ENGINES

| | |
|--------------------------------------|--|
| ENGINE TYPE / SERIAL / SERIES | 3164D / <-160309 / 300 |
| CYL / BORE (MM) / PIN (MM) | 3 / 102,00 / 30,00 |
| DETAILS | Orings on liner, AR51903 |
| AGRICULTURAL | TRACTOR MODEL; 1120 (<-074999) 1520(<-160309) |
| INDUSTRIAL | |
| GENERATOR | |
| ENGINE TYPE / SERIAL / SERIES | 3164D / 160310-179601 / 300 |
| CYL / BORE (MM) / PIN (MM) | 3 / 102,00 / 30,00 |
| DETAILS | Orings on block, liner T32343 |
| AGRICULTURAL | TRACTOR MODEL; 1120(075000-199742),1520(160310->), 1530(<-179601) |
| INDUSTRIAL | |
| GENERATOR | |
| ENGINE TYPE / SERIAL / SERIES | 3164D / 179602-> / 300 |
| CYL / BORE (MM) / PIN (MM) | 3 / 102,00 / 35,00 |
| DETAILS | Orings on liner T32343 |
| AGRICULTURAL | TRACTOR MODEL; 830(european),930,930VU,1020 (085100-199742),1020 (199743->),1030, 1030OU, 1030VU,1120 (199743-),1130, 1530 (179602->), 2030OU,2040UTULITY(<-349999) |
| INDUSTRIAL | BACKHOE LOADER; 300B (710724->) CRAWLER; 350B(Tractor 101610->),350C (Crawler Bulldozer 590075-621172) |
| GENERATOR | |

Crankshaft and compenents



| Key | Ozгур No | OEM No | SUB No | Description |
|-----|----------|---------|---------|--------------------------|
| 1 | OZ10001 | RE46896 | AT18031 | Crankshaft |
| 2 | OZ10021 | AR67942 | AT21608 | Seal,Front |
| 3 | OZ10020 | RE44574 | | Seal,Rear |
| 3 | OT10001 | AR92893 | AT22965 | Seal,Rear |
| 4 | OZ10022 | T20046 | | Silinger,Seal Front |
| 5 | OZ10023 | T20094 | | Gear,Crankshaft |
| 6 | OZ10024 | R59915 | T25366 | Pulley,Crankshaft |
| 7 | OZ11804 | R114282 | T20088 | Ring Gear |
| 8 | OZ10617 | AR91660 | AT18009 | Gear,Cranshaft Idler,Up |
| 9 | OZ10618 | AT24252 | T26322 | Gear,Cranshaft Idler,Low |
| 10 | OZ10622 | T20034 | | Bush,Up |
| 11 | OZ10620 | T26321 | | Bush,Low |
| 12 | OZ10619 | R109863 | T26323 | Pin |

Overhaul Kit



| Ozgur No | OEM No | Kit contents | | | Description |
|----------|-------------|----------------|--------------------|---------------|--|
| OZ00164 | | Part No | Description | Pieces | Overhaul Kit, (<-154765), O-ring on Liner |
| | | OZ10252 | Piston Kit | 3 | |
| | | OZ10034 | Bearing Set,Std | 1 | |
| | | R79623 | Valve,Intake,Std | 3 | |
| | | R79624 | Valve,Exhaust,Std | 3 | |
| | | T23471 | Bushing | 3 | |
| | | AR67942 | Seal,Front | 1 | |
| | | RE44574 | Seal,Rear | 1 | |
| RE501578 | Full Gasket | 1 | | | |
| OZ00164E | | Part No | Description | Pieces | Overhaul Kit, (<-154765), O-ring on Block |
| | | AR71593 | Piston Kit | 3 | |
| | | OZ10034 | Bearing Set,Std | 1 | |
| | | R79623 | Valve,Intake,Std | 3 | |
| | | R79624 | Valve,Exhaust,Std | 3 | |
| | | T23471 | Bushing | 3 | |
| | | AR67942 | Seal,Front | 1 | |
| | | RE44574 | Seal,Rear | 1 | |
| RE501578 | Full Gasket | 1 | | | |
| OZ00164L | | Part No | Description | Pieces | Overhaul Kit, (154765->), Std. Type piston |
| | | AR78041 | Piston Kit | 3 | |
| | | OZ10034 | Bearing Set,Std | 1 | |
| | | R79623 | Valve,Intake,Std | 3 | |
| | | R79624 | Valve,Exhaust,Std | 3 | |
| | | R55647 | Bushing | 3 | |
| | | AR67942 | Seal,Front | 1 | |
| | | RE44574 | Seal,Rear | 1 | |
| RE501578 | Full Gasket | 1 | | | |
| OZ00164H | | Part No | Description | Pieces | Overhaul Kit, (154765->), H Type piston |
| | | AR90550 | Piston Kit | 3 | |
| | | OZ10034 | Bearing Set,Std | 1 | |
| | | R79623 | Valve,Intake,Std | 3 | |
| | | R79624 | Valve,Exhaust,Std | 3 | |
| | | R55647 | Bushing | 3 | |
| | | AR67942 | Seal,Front | 1 | |
| | | RE44574 | Seal,Rear | 1 | |
| RE501578 | Full Gasket | 1 | | | |

Piston Kit and Connecting rod



Piston Kit and Connecting rod

| Key | Ozgun No | OEM No | SUB No | Description |
|-----|----------|---------|---------|--|
| 1 | OZ10252 | | | Piston-Liner Kit,(←-179601,Oring On Liner), (Kit contents:AR78310,AR55759, AR51903) |
| 1 | OZ10220 | AR71593 | RE19896 | Piston-Liner Kit,(←-179601,Oring On) , (Kit contents: AR78310, AR55759, T32343) |
| 1A | OZ10253 | AR78041 | AR71592 | Piston-Liner Kit,(179601-→,Oring On Block) , (Kit contents: AR77762, AR55759, T32343) |
| 1A | OZ10201 | AR90550 | RE53322 | Piston-Liner Kit, H Type ,(Kit contents: AR87736, AR55759, T32343) |
| 2 | OZ10203 | AR78310 | T30015 | Piston,W/O Alfini (←-179601) |
| 2A | OZ10204 | AR77762 | AR55984 | Piston,W/Alfini(179602-→) |
| 2A | OZ10270 | AR87736 | | Piston,W/O Alfini H Type |
| 3 | OZ10207 | AR55759 | | Ring |
| 4 | OZ10239 | AR51903 | | Liner,Oring On Liner |
| 4A | OZ10210 | T32343 | | Liner,Oring On Block |
| 5 | OZ10291 | | | Seal Kit for AR51903 Liner,(Kit contents: R48637,2 pcs, T32341) |
| 5A | OZ10290 | R48637 | | Washer |
| 5B | OZ11363 | T32341 | | O-Ring |
| 5C | OZ10213 | AR71618 | | Seal Kit Viton for T32343 Liner |
| 5C | OT10100 | DD13276 | | Seal Kit Silicon |
| 6 | OZ10028 | T26149 | | Pin, for AR78310 Piston |
| 6 | OZ10029 | R125754 | R51731 | Pin, for AR77762 Piston |
| 7 | OZ10026 | R51112 | M67T | Snap Ring, for AR78310 Piston |
| 7 | OZ10027 | M41029 | | Snap Ring, for AR77762 Piston |
| 8 | OZ10244 | RE19733 | AT18005 | Connecting Rod, for AR78310 Piston |
| 8 | OZ10218 | RE21076 | RE16495 | Connecting Rod, for AR77762 Piston |
| 9 | OZ10215 | T23471 | | Bushing,Conrod, for AR78310 Piston |
| 9 | OZ10216 | R55647 | R51728 | Bushing,Conrod, for AR77762 Piston |
| 10 | OZ10219 | R74194 | T20009 | Bolt,Conrod, for AT18009 and AR55978 |
| 10 | OZ10250 | R80033 | | Bolt,Conrod, for RE16495,L=59 mm |
| 11 | OT10101 | | | Pin Kit, With T23471 |
| 11 | OT10102 | RE63914 | | Pin Kit, With R55647 |

Valve and Camshaft



| Key | Ozgur No | OEM No | SUB No | Description |
|-----|----------|----------|---------|---------------------------|
| 1 | OZ10401 | R79623 | R52251 | Valve,Intake,Std |
| 1 | OZ10402 | R79628 | R57332 | Valve,Intake,003 |
| 1 | OZ10403 | R79629 | R57334 | Valve,Intake,015 |
| 2 | OZ10404 | R79624 | R52252 | Valve,Exhaust,Std |
| 2 | OZ10405 | R79625 | R57333 | Valve,Exhaust,003 |
| 2 | OZ10406 | R79626 | R57335 | Valve,Exhaust,015 |
| 3 | OZ10414 | R119707 | AR79622 | Camshaft,W/O Gear |
| 4 | OZ10417 | T20070 | | Gear,Camshaft |
| 5 | OZ10408 | R82896 | T20310 | Push Rod |
| 6 | OZ10407 | T20073 | | Tappet |
| 7 | OZ10413 | T20129 | | Cap |
| 8 | OZ10412 | T20077 | | Retainer |
| 9 | OZ10411 | RE11410 | T20176 | Rototor |
| 10 | OZ10410 | R26125 | | Spring |
| 11 | OZ10409 | RE508317 | RE31973 | Rocker Arm |
| 12 | OZ10419 | RE519735 | R54985 | Shaft |
| 13 | OZ10421 | R123161 | T20315 | Support, Rocker Arm Shaft |
| 14 | OT10004 | R73064 | R97779 | Insert,Valve Inlet |
| 15 | OT10005 | R51734 | R97778 | Insert,Valve Exhaust |
| 16 | OT10006 | R87627 | | O-Ring, for RE11410 |

Bearing



| Key | Ozgun No | OEM No | SUB No | Description |
|-----|----------|----------|---------|--|
| 1 | OZ10010 | RE521350 | AT21139 | Thrust Bearing,Std |
| 1 | OZ10011 | RE526754 | AT21132 | Thrust Bearing,010 |
| 1 | OZ10012 | RE527235 | AT21134 | Thrust Bearing,020 |
| 1 | OZ10013 | RE527236 | AT21136 | Thrust Bearing,030 |
| 1 | OZ10014 | AT21130 | | Thrust Bearing,040 |
| 2 | OZ10005 | RE27352 | AT21140 | Main Bearing,Std. |
| 2 | OZ10006 | RE27353 | AT21110 | Main Bearing,010 |
| 2 | OZ10007 | RE27360 | AT21112 | Main Bearing,020 |
| 2 | OZ10008 | RE27368 | AT21114 | Main Bearing,030 |
| 2 | OZ10009 | AT21108 | | Main Bearing,040 |
| 3 | OZ10015 | RE27348 | AT21138 | Con Rod Bearing, Std. |
| 3 | OZ10016 | RE27349 | AT21124 | Con Rod Bearing, 010 |
| 3 | OZ10017 | RE27358 | AT21126 | Con Rod Bearing, 020 |
| 3 | OZ10018 | RE27364 | AT21128 | Con Rod Bearing, 030 |
| 3 | OZ10019 | AT21122 | | Con Rod Bearing, 040 |
| 4 | OZ10034 | OZ10034 | | Bearing Set,Std. , (Kit contents: RE521350 , RE27352,3 pcs, RE27348,3 pcs) |
| 4 | OZ10035 | OZ10035 | | Bearing Set,010, (Kit contents: RE526754, RE27353,3 pcs, RE27349,3 pcs) |
| 4 | OZ10036 | OZ10036 | | Bearing Set,020 , (Kit contents: RE527235, RE27360,3 pcs, RE27358,3 pcs) |
| 4 | OZ10037 | OZ10037 | | Bearing Set,030 , (Kit contents: RE527236, RE27368,3 pcs, RE27364,3 pcs) |
| 4 | OZ10038 | OZ10038 | | Bearing Set,040 , (Kit contents: AT21130, AT21108,3 pcs, AT21122,3 pcs) |

Oil Pump



| Key | Ozgun No | OEM No | SUB No | Description |
|-----|----------|---------|---------|---------------------|
| 1 | OZ10601 | RE52020 | RE35685 | Oil Pump Assy |
| 2 | OZ10623 | RE15381 | | Oil Pump |
| 3 | OZ10603 | AR62978 | | Shaft Gear,Oil Pump |
| 4 | OZ10604 | R54614 | | Gear,Oil Pump |
| 5 | OZ10602 | AR62979 | | Housing,Oil Pump |
| 6 | OZ10606 | RE36425 | AR60701 | Strainer,Oil Pump |
| 7 | OZ10613 | T20050 | | Tube,Oil Pump |
| 8 | OZ10605 | R53382 | | Cover,Oil Pump |
| 9 | OZ10612 | T20298 | | Gear |

Oil Cooler and Oil Filter



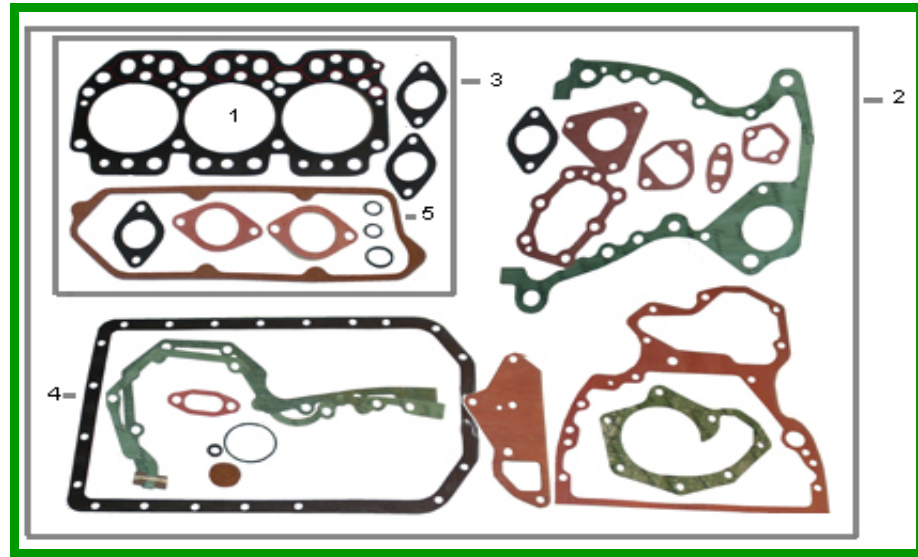
| Key | Ozгур No | OEM No | SUB No | Description |
|-----|----------|----------|----------|---------------------|
| 1 | OZ11402 | T23620 | | Cover,Thermostat |
| 2 | OZ11405 | RE33705 | AT22961 | Thermostat,82c |
| 3 | OZ11403 | T20277 | | Hose,Thermostat |
| 4 | OZ11909 | T19044 | | Oil Filter |
| 5 | OZ11908 | AR78192 | AT21534 | Dipstick |
| 6 | OZ11805 | AT85174 | AR27977 | Switch,Oil |
| 7 | OZ11811 | T20294 | R90788 | Cover,Oil |
| 8 | OZ11813 | AR100124 | AR103811 | Screw |
| 9 | OZ12406 | RE51774 | AL24527 | Switch, Water Temp. |
| 10 | OZ10911 | AL71285 | AT20848 | Oil Cooler |
| 11 | OZ10913 | L35845 | T24760 | Hose,Oil Cooler |

Fuel System



| Key | Ozgun No | OEM No | SUB No | Description |
|-----|----------|----------|---------|----------------|
| 1 | OZ11613 | RE527115 | DD13483 | Fuel Pump |
| 2 | OZ11614 | RE526203 | AR60559 | Kit,Fuel Pump |
| 3 | OZ11617 | T30738 | R82131 | Elbow |
| 4 | OZ11615 | AR50041 | | Fuel Filter |
| 5 | OZ11001 | AR89564 | AR89563 | Nozzle |
| 6 | OZ11002 | AT27622 | | Kit |
| 7 | OZ11007 | AR85618 | | Kit |
| 8 | OZ11003 | R60746 | R34764 | Seal |
| 9 | OZ11004 | R48000 | R34767 | Seal |
| 10 | OZ11005 | R34760 | | Clamp |
| 11 | OZ11006 | R68283 | T27465 | Hose |
| 12 | OZ10624 | AR85710 | AT27917 | Gear,Fuel Pump |

Gasket Set



| Key | Ozgun No | OEM No | SUB No | Description |
|-----|----------|----------|---------|---------------------|
| 1 | OZ11201 | R97356 | R59447 | Head Gasket |
| 2 | OZ11204 | RE501578 | RE38853 | Full Gasket |
| 3 | OZ11207 | RE527282 | RE38850 | Top Gasket |
| 4 | OZ11213 | R97341 | R49514 | Gasket,Oil Pan |
| 5 | OZ11210 | R75729 | T20111 | Gasket,Rocker Cover |

Piston Kit and Connecting rod



Piston Kit and Connecting rod

| Key | Ozgun No | OEM No | SUB No | Description |
|-----|----------|---------|---------|--|
| 1 | OZ10252 | | | Piston-Liner Kit,(<-179601,Oring On Liner), (Kit contents:AR78310,AR55759, AR51903) |
| 1 | OZ10220 | AR71593 | RE19896 | Piston-Liner Kit,(<-179601,Oring On) , (Kit contents: AR78310, AR55759, T32343) |
| 1A | OZ10253 | AR78041 | AR71592 | Piston-Liner Kit,(179601->,Oring On Block) , (Kit contents: AR77762, AR55759, T32343) |
| 1A | OZ10201 | AR90550 | RE53322 | Piston-Liner Kit, H Type ,(Kit contents: AR87736, AR55759, T32343) |
| 2 | OZ10203 | AR78310 | T30015 | Piston,W/O Alfini (<-179601) |
| 2A | OZ10204 | AR77762 | AR55984 | Piston,W/Alfini(179602->) |
| 2A | OZ10270 | AR87736 | | Piston,W/O Alfini H Type |
| 3 | OZ10207 | AR55759 | | Ring |
| 4 | OZ10239 | AR51903 | | Liner,Oring On Liner |
| 4A | OZ10210 | T32343 | | Liner,Oring On Block |
| 5 | OZ10291 | | | Seal Kit for AR51903 Liner,(Kit contents: R48637,2 pcs, T32341) |
| 5A | OZ10290 | R48637 | | Washer |
| 5B | OZ11363 | T32341 | | O-Ring |
| 5C | OZ10213 | AR71618 | | Seal Kit Viton for T32343 Liner |
| 5C | OT10100 | DD13276 | | Seal Kit Silicon |
| 6 | OZ10028 | T26149 | | Pin, for AR78310 Piston |
| 6 | OZ10029 | R125754 | R51731 | Pin, for AR77762 Piston |
| 7 | OZ10026 | R51112 | M67T | Snap Ring, for AR78310 Piston |
| 7 | OZ10027 | M41029 | | Snap Ring, for AR77762 Piston |
| 8 | OZ10244 | RE19733 | AT18005 | Connecting Rod, for AR78310 Piston |
| 8 | OZ10218 | RE21076 | RE16495 | Connecting Rod, for AR77762 Piston |
| 9 | OZ10215 | T23471 | | Bushing,Conrod, for AR78310 Piston |
| 9 | OZ10216 | R55647 | R51728 | Bushing,Conrod, for AR77762 Piston |
| 10 | OZ10219 | R74194 | T20009 | Bolt,Conrod, for AT18009 and AR55978 |
| 10 | OZ10250 | R80033 | | Bolt,Conrod, for RE16495,L=59 mm |
| 11 | OT10101 | | | Pin Kit, With T23471 |
| 11 | OT10102 | RE63914 | | Pin Kit, With R55647 |

Valve and Camshaft



| Key | Ozgun No | OEM No | SUB No | Description |
|-----|----------|----------|---------|---------------------------|
| 1 | OZ10401 | R79623 | R52251 | Valve,Intake,Std |
| 1 | OZ10402 | R79628 | R57332 | Valve,Intake,003 |
| 1 | OZ10403 | R79629 | R57334 | Valve,Intake,015 |
| 2 | OZ10404 | R79624 | R52252 | Valve,Exhaust,Std |
| 2 | OZ10405 | R79625 | R57333 | Valve,Exhaust,003 |
| 2 | OZ10406 | R79626 | R57335 | Valve,Exhaust,015 |
| 3 | OZ10414 | R119707 | AR79622 | Camshaft,W/O Gear |
| 4 | OZ10417 | T20070 | | Gear,Camshaft |
| 5 | OZ10408 | R82896 | T20310 | Push Rod |
| 6 | OZ10407 | T20073 | | Tappet |
| 7 | OZ10413 | T20129 | | Cap |
| 8 | OZ10412 | T20077 | | Retainer |
| 9 | OZ10411 | RE11410 | T20176 | Rototor |
| 10 | OZ10410 | R26125 | | Spring |
| 11 | OZ10409 | RE508317 | RE31973 | Rocker Arm |
| 12 | OZ10419 | RE519735 | R54985 | Shaft |
| 13 | OZ10421 | R123161 | T20315 | Support, Rocker Arm Shaft |
| 14 | OT10004 | R73064 | R97779 | Insert,Valve Inlet |
| 15 | OT10005 | R51734 | R97778 | Insert,Valve Exhaust |
| 16 | OT10006 | R87627 | | O-Ring, for RE11410 |

Bearing



| Key | Ozgun No | OEM No | SUB No | Description |
|-----|----------|----------|---------|--|
| 1 | OZ10010 | RE521350 | AT21139 | Thrust Bearing,Std |
| 1 | OZ10011 | RE526754 | AT21132 | Thrust Bearing,010 |
| 1 | OZ10012 | RE527235 | AT21134 | Thrust Bearing,020 |
| 1 | OZ10013 | RE527236 | AT21136 | Thrust Bearing,030 |
| 1 | OZ10014 | AT21130 | | Thrust Bearing,040 |
| 2 | OZ10005 | RE27352 | AT21140 | Main Bearing,Std. |
| 2 | OZ10006 | RE27353 | AT21110 | Main Bearing,010 |
| 2 | OZ10007 | RE27360 | AT21112 | Main Bearing,020 |
| 2 | OZ10008 | RE27368 | AT21114 | Main Bearing,030 |
| 2 | OZ10009 | AT21108 | | Main Bearing,040 |
| 3 | OZ10015 | RE27348 | AT21138 | Con Rod Bearing, Std. |
| 3 | OZ10016 | RE27349 | AT21124 | Con Rod Bearing, 010 |
| 3 | OZ10017 | RE27358 | AT21126 | Con Rod Bearing, 020 |
| 3 | OZ10018 | RE27364 | AT21128 | Con Rod Bearing, 030 |
| 3 | OZ10019 | AT21122 | | Con Rod Bearing, 040 |
| 4 | OZ10034 | OZ10034 | | Bearing Set,Std. , (Kit contents: RE521350 , RE27352,3 pcs, RE27348,3 pcs) |
| 4 | OZ10035 | OZ10035 | | Bearing Set,010, (Kit contents: RE526754, RE27353,3 pcs, RE27349,3 pcs) |
| 4 | OZ10036 | OZ10036 | | Bearing Set,020 , (Kit contents: RE527235, RE27360,3 pcs, RE27358,3 pcs) |
| 4 | OZ10037 | OZ10037 | | Bearing Set,030 , (Kit contents: RE527236, RE27368,3 pcs, RE27364,3 pcs) |
| 4 | OZ10038 | OZ10038 | | Bearing Set,040 , (Kit contents: AT21130, AT21108,3 pcs, AT21122,3 pcs) |

Oil Pump



| Key | Ozgur No | OEM No | SUB No | Description |
|-----|----------|---------|---------|---------------------|
| 1 | OZ10601 | RE52020 | RE35685 | Oil Pump Assy |
| 2 | OZ10623 | RE15381 | | Oil Pump |
| 3 | OZ10603 | AR62978 | | Shaft Gear,Oil Pump |
| 4 | OZ10604 | R54614 | | Gear,Oil Pump |
| 5 | OZ10602 | AR62979 | | Housing,Oil Pump |
| 6 | OZ10606 | RE36425 | AR60701 | Strainer,Oil Pump |
| 7 | OZ10613 | T20050 | | Tube,Oil Pump |
| 8 | OZ10605 | R53382 | | Cover,Oil Pump |
| 9 | OZ10612 | T20298 | | Gear |

Oil Cooler and Oil Filter



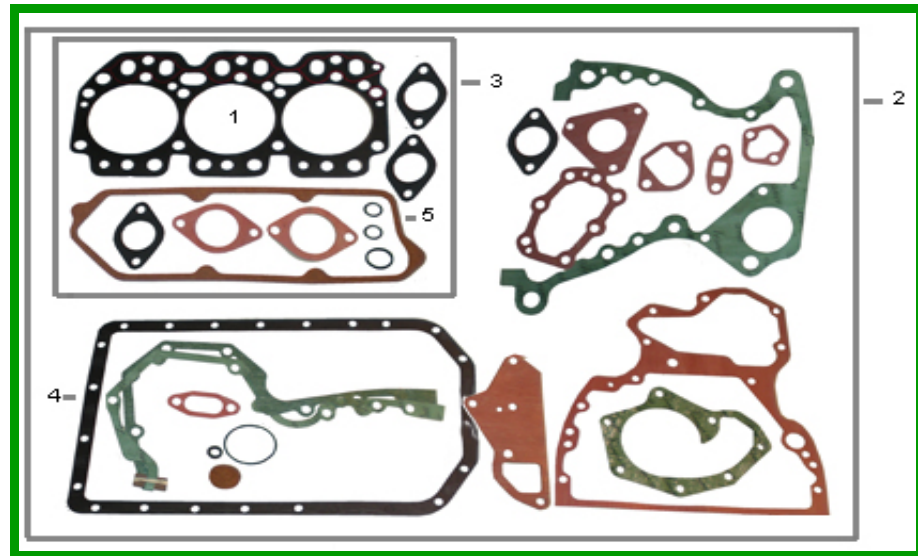
| Key | Ozgur No | OEM No | SUB No | Description |
|-----|----------|----------|----------|---------------------|
| 1 | OZ11402 | T23620 | | Cover,Thermostat |
| 2 | OZ11405 | RE33705 | AT22961 | Thermostat,82c |
| 3 | OZ11403 | T20277 | | Hose,Thermostat |
| 4 | OZ11909 | T19044 | | Oil Filter |
| 5 | OZ11908 | AR78192 | AT21534 | Dipstick |
| 6 | OZ11805 | AT85174 | AR27977 | Switch,Oil |
| 7 | OZ11811 | T20294 | R90788 | Cover,Oil |
| 8 | OZ11813 | AR100124 | AR103811 | Screw |
| 9 | OZ12406 | RE51774 | AL24527 | Switch, Water Temp. |
| 10 | OZ10911 | AL71285 | AT20848 | Oil Cooler |
| 11 | OZ10913 | L35845 | T24760 | Hose,Oil Cooler |

Fuel System



| Key | Ozгур No | OEM No | SUB No | Description |
|-----|----------|----------|---------|----------------|
| 1 | OZ11613 | RE527115 | DD13483 | Fuel Pump |
| 2 | OZ11614 | RE526203 | AR60559 | Kit,Fuel Pump |
| 3 | OZ11617 | T30738 | R82131 | Elbow |
| 4 | OZ11615 | AR50041 | | Fuel Filter |
| 5 | OZ11001 | AR89564 | AR89563 | Nozzle |
| 6 | OZ11002 | AT27622 | | Kit |
| 7 | OZ11007 | AR85618 | | Kit |
| 8 | OZ11003 | R60746 | R34764 | Seal |
| 9 | OZ11004 | R48000 | R34767 | Seal |
| 10 | OZ11005 | R34760 | | Clamp |
| 11 | OZ11006 | R68283 | T27465 | Hose |
| 12 | OZ10624 | AR85710 | AT27917 | Gear,Fuel Pump |

Gasket Set

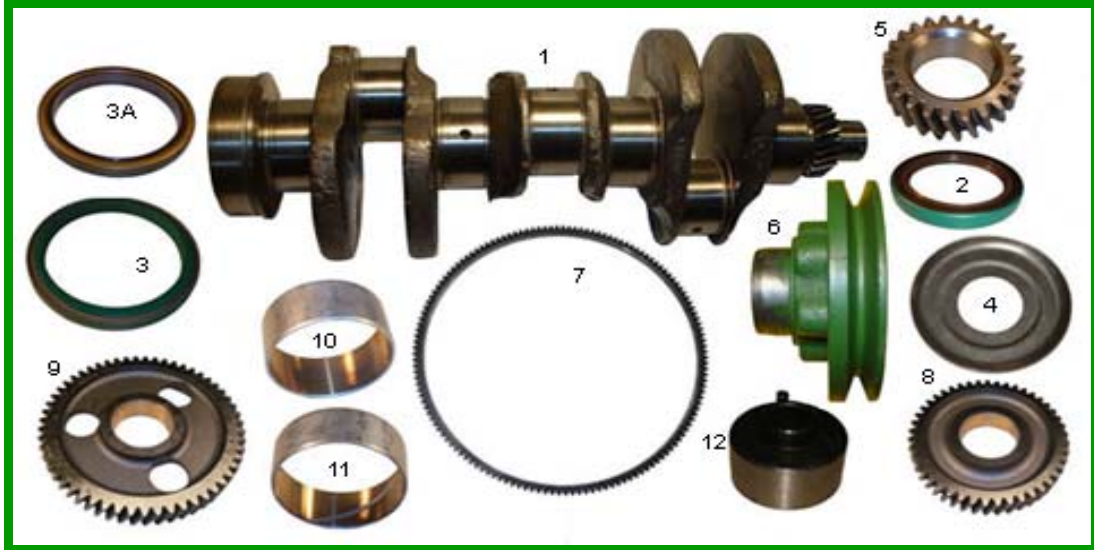


| Key | Ozgun No | OEM No | SUB No | Description |
|-----|----------|----------|---------|---------------------|
| 1 | OZ11201 | R97356 | R59447 | Head Gasket |
| 2 | OZ11204 | RE501578 | RE38853 | Full Gasket |
| 3 | OZ11207 | RE527282 | RE38850 | Top Gasket |
| 4 | OZ11213 | R97341 | R49514 | Gasket,Oil Pan |
| 5 | OZ11210 | R75729 | T20111 | Gasket,Rocker Cover |

300 SERIES 3.179D/T ENGINES

| | |
|--------------------------------------|---|
| ENGINE TYPE / SERIAL / SERIES | 3179D / / 300 |
| CYL / BORE (MM) / PIN (MM) | 3 / 106,50 / 35,00 |
| DETAILS | piston RE19282,RE19283 |
| AGRICULTURAL | TRACTOR MODEL; 840,940,1040,1040V,1140,1250,1350,1550,1630OU,1630VU, 1750,1750V, 1850, 1850F, 1850V,2040 UTILITY(350000->),2150,2155,2155CS, 2155TSS,2240,2255 UTILITY COMBINE MODELS; 925 |
| INDUSTRIAL | CRAWLER; 350D (Bulldozer),355D (Loader) |
| GENERATOR | |
| ENGINE TYPE / SERIAL / SERIES | 3179T / / 300 |
| CYL / BORE (MM) / PIN (MM) | 3 / 106,50 / 41,00 |
| DETAILS | piston RE19278,RE19279 |
| AGRICULTURAL | TRACTOR MODEL; 1950,1950F,1950N,2355N,2355NCS, 2355N TSS,2555UTILITY, 3150UTILITY |
| INDUSTRIAL | SKID STEER LOADER; 8875 (<-264812) |
| GENERATOR | |

Crankshaft and components



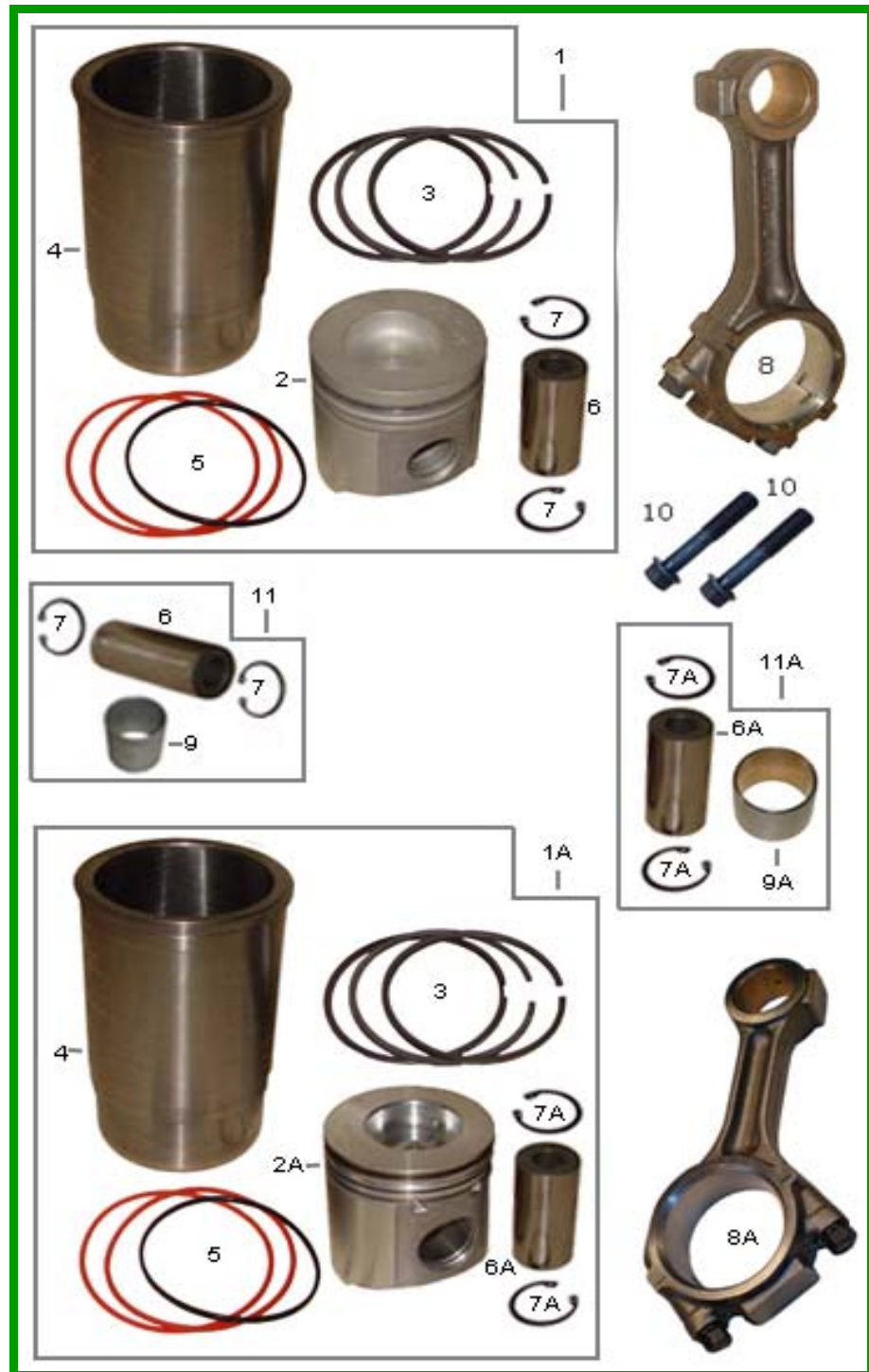
| Key | Ozgur No | OEM No | SUB No | Description |
|-----|----------|---------|---------|--------------------------|
| 1 | OZ10001 | RE46896 | AT18031 | Crankshaft |
| 2 | OZ10021 | AR67942 | AT21608 | Seal,Front |
| 3 | OZ10020 | RE44574 | | Seal,Rear |
| 3 | OT10001 | AR92893 | AT22965 | Seal,Rear |
| 4 | OZ10022 | T20046 | | Silinger,Seal Front |
| 5 | OZ10023 | T20094 | | Gear,Crankshaft |
| 6 | OZ10024 | R59915 | T25366 | Pulley,Crankshaft |
| 7 | OZ11804 | R114282 | T20088 | Ring Gear |
| 8 | OZ10617 | AR91660 | AT18009 | Gear,Cranshaft Idler,Up |
| 9 | OZ10618 | AT24252 | T26322 | Gear,Cranshaft Idler,Low |
| 10 | OZ10622 | T20034 | | Bush,Up |
| 11 | OZ10620 | T26321 | | Bush,Low |
| 12 | OZ10619 | R109863 | T26323 | Pin |

Overhaul Kit



| Ozgur No | OEM No | Kit contents | | | Description |
|-----------|-------------|----------------|--------------------|---------------|-------------------------------------|
| OZ00179D | | Part No | Description | Pieces | Overhaul Kit, 3.179D, Std.Piston |
| | | RE30250 | Piston Kit | 3 | |
| | | OZ10034 | Bearing Set,Std | 1 | |
| | | R79623 | Valve,Intake,Std | 3 | |
| | | R79624 | Valve,Exhaust,Std | 3 | |
| | | R55647 | Bushing | 3 | |
| | | AR67942 | Seal,Front | 1 | |
| | | RE44574 | Seal,Rear | 1 | |
| RE501578 | Full Gasket | 1 | | | |
| OZ00179DH | | Part No | Description | Pieces | Overhaul Kit, 3.179D, H Piston |
| | | RE11510 | Piston Kit | 3 | |
| | | OZ10034 | Bearing Set,Std | 1 | |
| | | R79623 | Valve,Intake,Std | 3 | |
| | | R79624 | Valve,Exhaust,Std | 3 | |
| | | R55647 | Bushing | 3 | |
| | | AR67942 | Seal,Front | 1 | |
| | | RE44574 | Seal,Rear | 1 | |
| RE501578 | Full Gasket | 1 | | | |
| OZ00179T | | Part No | Description | Pieces | Overhaul Kit, 3.179T, Std.Piston |
| | | RE22678 | Piston Kit | 3 | |
| | | OZ10034 | Bearing Set,Std | 1 | |
| | | R79623 | Valve,Intake,Std | 3 | |
| | | R79624 | Valve,Exhaust,Std | 3 | |
| | | R57451 | Bushing | 3 | |
| | | AR67942 | Seal,Front | 1 | |
| | | RE44574 | Seal,Rear | 1 | |
| RE501578 | Full Gasket | 1 | | | |
| OZ00179TH | | Part No | Description | Pieces | Overhaul Kit, 3.179T, H Piston |
| | | RE22681 | Piston Kit | 3 | |
| | | OZ10034 | Bearing Set,Std | 1 | |
| | | R79623 | Valve,Intake,Std | 3 | |
| | | R79624 | Valve,Exhaust,Std | 3 | |
| | | R57451 | Bushing | 3 | |
| | | AR67942 | Seal,Front | 1 | |
| | | RE44574 | Seal,Rear | 1 | |
| RE501578 | Full Gasket | 1 | | | |

Piston Kit and Connecting rod



Piston Kit and Connecting rod

| Key | Ozgur No | OEM No | SUB No | Description |
|-----|----------|----------|---------|---|
| 1 | OZ10245 | RE30250 | RE24458 | Piston-Liner Kit, B Type,(3179D) , Kit contents: RE19282, RE507852, R116281, AR65507 |
| 1 | OZ10310 | RE11510 | RE24539 | Piston-Liner Kit H Type, (3179D) , Kit contents: RE19283, RE507852, R116281, AR65507 |
| 1A | OZ10246 | RE22678 | RE33115 | Piston-Liner Kit B Type, (3179T) , Kit contents: RE19278, RE507852, R116281, AR65507 |
| 1A | OZ10254 | RE22681 | RE15597 | Piston-Liner Kit H Type, (3179T) , Kit contents: RE19279, RE507852, R116281, AR65507 |
| 2 | OZ10205 | RE19282 | AR79868 | Piston,W/Alfini for RE30250 |
| 2 | OZ10271 | RE19283 | AR87738 | Piston,W/Alfini for RE11510 |
| 2A | OZ10206 | RE19278 | AR71067 | Piston,W/Alfini for RE33115 |
| 2A | OZ10272 | RE19279 | RE11596 | Piston,W/Alfini for RE22681 |
| 3 | OZ10208 | RE507852 | RE66820 | Ring |
| 4 | OZ10211 | R116281 | R51726 | Liner |
| 5 | OZ10214 | AR65507 | AR68318 | Seal Kit Viton |
| 5 | OT10200 | DD13277 | | Seal Kit Silicon |
| 6 | OZ10029 | R125754 | R51731 | Pin,Piston(3179D) |
| 6A | OZ10030 | R124230 | R56188 | Pin,Piston(3179T) |
| 7 | OZ10027 | M41029 | | Snap Ring(3179D) |
| 7A | OT10201 | R54114 | | Snap Ring (3179T) |
| 8 | OZ10218 | RE21076 | RE16495 | Connecting Rod (3179D) |
| 8A | OZ10303 | RE42733 | RE16494 | Connecting Rod(3179T) |
| 9 | OZ10216 | R55647 | R51728 | Bushing,Conrod(3179D) |
| 9A | OZ10217 | R57451 | R56186 | Bushing,Conrod(3179T) |
| 10 | OZ10219 | R74194 | T20009 | Bolt,Conrod,for AR55978 |
| 10 | OZ10250 | R80033 | | Bolt,Conrod, for RE16495,RE42733,L=59mm |
| 11 | OT10102 | RE63914 | | Pin Kit (3179D),Kit contents:R125754, R55647,M41029(2) |
| 11A | OT10202 | RE63913 | | Pin Kit (3179T),Kit contents:R124230, R57451, R54114(2) |

Bearing



| Key | Ozгур No | OEM No | SUB No | Description |
|-----|----------|----------|---------|--|
| 1 | OZ10010 | RE521350 | AT21139 | Thrust Bearing,Std |
| 1 | OZ10011 | RE526754 | AT21132 | Thrust Bearing,010 |
| 1 | OZ10012 | RE527235 | AT21134 | Thrust Bearing,020 |
| 1 | OZ10013 | RE527236 | AT21136 | Thrust Bearing,030 |
| 1 | OZ10014 | AT21130 | | Thrust Bearing,040 |
| 2 | OZ10005 | RE27352 | AT21140 | Main Bearing,Std. |
| 2 | OZ10006 | RE27353 | AT21110 | Main Bearing,010 |
| 2 | OZ10007 | RE27360 | AT21112 | Main Bearing,020 |
| 2 | OZ10008 | RE27368 | AT21114 | Main Bearing,030 |
| 2 | OZ10009 | AT21108 | | Main Bearing,040 |
| 3 | OZ10015 | RE27348 | AT21138 | Con Rod Bearing, Std. |
| 3 | OZ10016 | RE27349 | AT21124 | Con Rod Bearing, 010 |
| 3 | OZ10017 | RE27358 | AT21126 | Con Rod Bearing, 020 |
| 3 | OZ10018 | RE27364 | AT21128 | Con Rod Bearing, 030 |
| 3 | OZ10019 | AT21122 | | Con Rod Bearing, 040 |
| 4 | OZ10034 | OZ10034 | | Bearing Set,Std. , (Kit contents: RE521350 , RE27352,3 pcs, RE27348,3 pcs) |
| 4 | OZ10035 | OZ10035 | | Bearing Set,010, (Kit contents: RE526754, RE27353,3 pcs, RE27349,3 pcs) |
| 4 | OZ10036 | OZ10036 | | Bearing Set,020 , (Kit contents: RE527235, RE27360,3 pcs, RE27358,3 pcs) |
| 4 | OZ10037 | OZ10037 | | Bearing Set,030 , (Kit contents: RE527236, RE27368,3 pcs, RE27364,3 pcs) |
| 4 | OZ10038 | OZ10038 | | Bearing Set,040 , (Kit contents: AT21130, AT21108,3 pcs, AT21122,3 pcs) |

Valve and Camshaft



| Key | Ozgur No | OEM No | SUB No | Description |
|-----|----------|----------|---------|---------------------------|
| 1 | OZ10401 | R79623 | R52251 | Valve,Intake,Std |
| 1 | OZ10402 | R79628 | R57332 | Valve,Intake,003 |
| 1 | OZ10403 | R79629 | R57334 | Valve,Intake,015 |
| 2 | OZ10404 | R79624 | R52252 | Valve,Exhaust,Std |
| 2 | OZ10405 | R79625 | R57333 | Valve,Exhaust,003 |
| 2 | OZ10406 | R79626 | R57335 | Valve,Exhaust,015 |
| 3 | OZ10414 | R119707 | AR79622 | Camshaft,W/O Gear |
| 4 | OZ10417 | T20070 | | Gear,Camshaft |
| 5 | OZ10408 | R82896 | T20310 | Push Rod |
| 6 | OZ10407 | T20073 | | Tappet |
| 7 | OZ10413 | T20129 | | Cap |
| 8 | OZ10412 | T20077 | | Retainer |
| 9 | OZ10411 | RE11410 | T20176 | Rotator |
| 10 | OZ10410 | R26125 | | Spring |
| 11 | OZ10409 | RE508317 | RE31973 | Rocker Arm |
| 12 | OZ10419 | RE519735 | R54985 | Shaft |
| 13 | OZ10421 | R123161 | T20315 | Support, Rocker Arm Shaft |
| 14 | OT10004 | R73064 | R97779 | Insert,Valve Inlet |
| 15 | OT10005 | R51734 | R97778 | Insert,Valve Exhaust |
| 16 | OT10006 | R87627 | | O-Ring, for RE11410 |

Oil Pump



| Key | Ozgur No | OEM No | SUB No | Description |
|-----|----------|---------|---------|---------------------|
| 1 | OZ10601 | RE52020 | RE35685 | Oil Pump Assy |
| 2 | OZ10623 | RE15381 | | Oil Pump |
| 3 | OZ10603 | AR62978 | | Shaft Gear,Oil Pump |
| 4 | OZ10604 | R54614 | | Gear,Oil Pump |
| 5 | OZ10602 | AR62979 | | Housing,Oil Pump |
| 6 | OZ10606 | RE36425 | AR60701 | Strainer,Oil Pump |
| 7 | OZ10613 | T20050 | | Tube,Oil Pump |
| 8 | OZ10605 | R53382 | | Cover,Oil Pump |
| 9 | OZ10612 | T20298 | | Gear |

Oil Cooler and Oil Filter



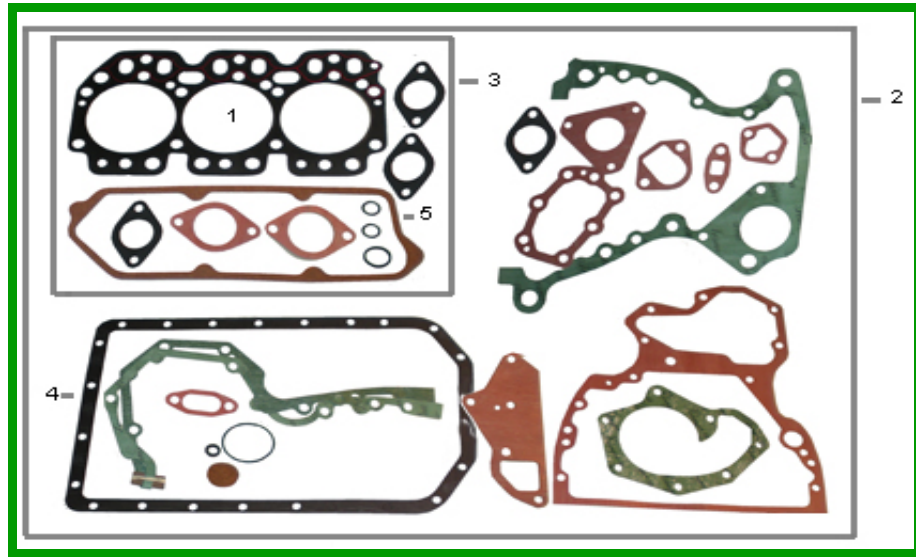
| Key | Ozgur No | OEM No | SUB No | Description |
|-----|----------|----------|----------|------------------------------|
| 1 | OZ11401 | T20317 | | Cover,Thermostat,(751244->) |
| 1 | OZ11410 | R97876 | R70736 | Cover,Thermostat ,(3179T) |
| 2 | OZ11405 | RE33705 | AT22961 | Thermostat,82c,(751244->) |
| 2 | OZ11406 | AR61538 | RE64354 | Thermostat,82c,(3179T) |
| 3 | OT10203 | R70737 | | Hose,Thermostat, |
| 3 | OZ11404 | L35843 | R60765 | Hose,Thermostat |
| 4 | OZ11909 | T19044 | | Oil Filter |
| 5 | OZ11908 | AR78192 | AT21534 | Dipstick |
| 6 | OZ11805 | AT85174 | AR27977 | Switch,Oil |
| 7 | OZ11811 | T20294 | R90788 | Cover,Oil |
| 8 | OZ11813 | AR100124 | AR103811 | Screw |
| 9 | OZ12406 | RE51774 | AL24527 | Switch, Water Temp. |
| 10 | OZ11913 | RE61767 | RE38077 | Oil Cooler,6 Plates |
| 10 | OZ11914 | RE31929 | RE10869 | Oil Cooler,8 Plates ,(3179T) |
| 11 | OZ10913 | L35845 | T24760 | Hose,Oil Cooler(3179T) |
| 12 | OT10204 | R79691 | | Hose,Oil Cooler |
| 12 | OZ11904 | T22942 | | Hose,Oil Cooler |

Fuel System



| Key | Ozgur No | OEM No | SUB No | Description |
|-----|----------|----------|---------|----------------|
| 1 | OZ11613 | RE527115 | DD13483 | Fuel Pump |
| 2 | OZ11614 | RE526203 | AR60559 | Kit,Fuel Pump |
| 3 | OZ11617 | T30738 | R82131 | Elbow |
| 4 | OZ11615 | AR50041 | | Fuel Filter |
| 5 | OZ11001 | AR89564 | AR89563 | Nozzle |
| 6 | OZ11002 | AT27622 | | Kit |
| 7 | OZ11007 | AR85618 | | Kit |
| 8 | OZ11003 | R60746 | R34764 | Seal |
| 9 | OZ11004 | R48000 | R34767 | Seal |
| 10 | OZ11005 | R34760 | | Clamp |
| 11 | OZ11006 | R68283 | T27465 | Hose |
| 12 | OZ10624 | AR85710 | AT27917 | Gear,Fuel Pump |

Gasket Set

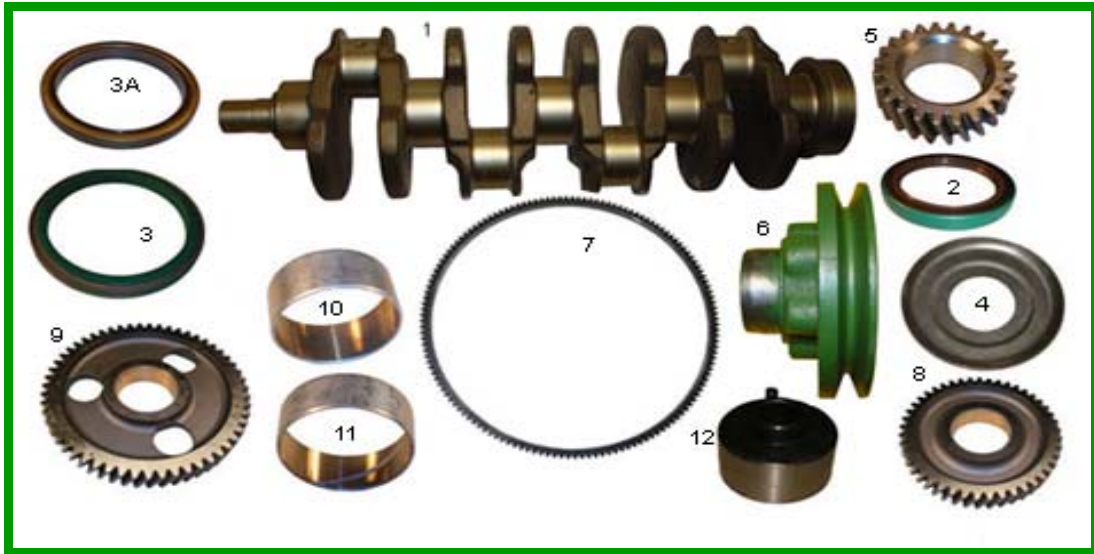


| Key | Ozgur No | OEM No | SUB No | Description |
|-----|----------|----------|---------|---------------------|
| 1 | OZ11201 | R97356 | R59447 | Head Gasket |
| 2 | OZ11204 | RE501578 | RE38853 | Full Gasket |
| 3 | OZ11207 | RE527282 | RE38850 | Top Gasket |
| 4 | OZ11213 | R97341 | R49514 | Gasket,Oil Pan |
| 5 | OZ11210 | R75729 | T20111 | Gasket,Rocker Cover |

300 SERIES 4.202D ENGINES

| | |
|--------------------------------------|---|
| ENGINE TYPE / SERIAL / SERIES | 4202D / <-158257 / 300 |
| CYL / BORE (MM) / PIN (MM) | 4 / 98,00 / 30,00 |
| DETAILS | Orings on liner, AR51902 |
| AGRICULTURAL | TRACTOR MODEL; 2020(<-074999),2120(<-065873),2510(<-158257) |
| INDUSTRIAL | BACKHOE LOADER; 400 CRAWLER; 450 (Tractor <-158257) |
| ENGINE TYPE / SERIAL / SERIES | 4202D / 158258-> / 300 |
| CYL / BORE (MM) / PIN (MM) | 4 / 98,00 / 30,00 |
| DETAILS | Orings on block, liner T32340 |
| AGRICULTURAL | TRACTOR MODEL; 2020(075000->) 2510(158258->) |
| INDUSTRIAL | BACKHOE LOADER; 400 CRAWLER; 450 (Tractor 158258->) FORKLIFT; 480A |

Crankshaft and compenents



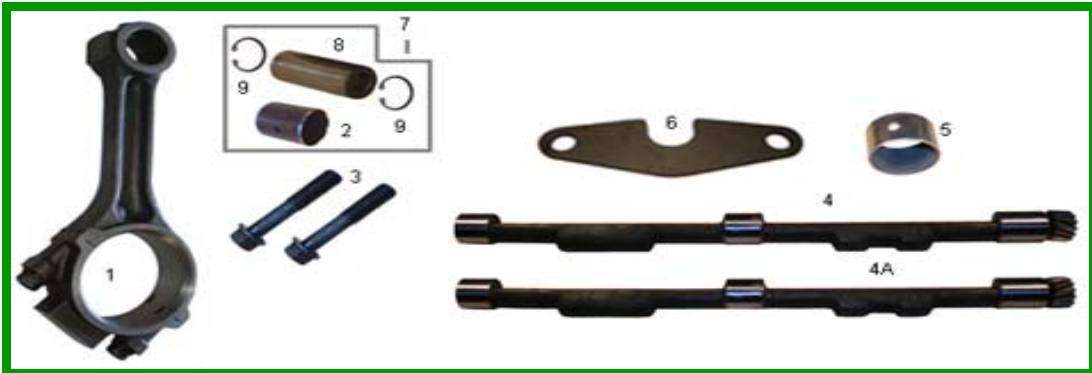
| Key | Ozgun No | OEM No | SUB No | Description |
|-----|----------|---------|---------|--------------------------|
| 1 | OZ10001 | RE46896 | AT18030 | Crankshaft |
| 2 | OZ10021 | AR67942 | AT21608 | Seal,Front |
| 3 | OZ10020 | RE44574 | | Seal,Rear |
| 3 | OT10001 | AR92893 | AT22965 | Seal,Rear |
| 4 | OZ10022 | T20046 | | Silinger,Seal Front |
| 5 | OZ10023 | T20094 | | Gear,Crankshaft |
| 6 | OZ10024 | R59915 | T25366 | Pulley,Crankshaft |
| 7 | OZ11804 | R114282 | T20088 | Ring Gear |
| 8 | OZ10617 | AR91660 | AT18009 | Gear,Cranshaft Idler,Up |
| 9 | OZ10618 | AT24252 | T26322 | Gear,Cranshaft Idler,Low |
| 10 | OZ10622 | T20034 | | Bush,Up |
| 11 | OZ10620 | T26321 | | Bush,Low |
| 12 | OZ10619 | R109863 | T26323 | Pin |

Piston Kit



| Key | Ozgun No | OEM No | SUB No | Description |
|-----|----------|---------|---------|--|
| 1 | OZ10251 | | | Piston-Liner Kit(<-154765), (Kit contents:T23481,AR70633, AR51902, OZ10290) |
| 1 | OZ10243 | AR71591 | | Piston-Liner Kit(154765->), (Kit contents:T23481,AR70633, T32340, AR71617) |
| 2 | OZ10227 | T23481 | | Piston |
| 3 | OZ10230 | AR70633 | AR55758 | Ring |
| 4 | OZ10238 | AR51902 | T20085 | Liner(<-154765) |
| 4 | OZ10228 | T32340 | | Liner(154765->) |
| 5 | OZ10290 | | | Seal Kit For AR51902 Liner) ,(Kit contents: R48637,2 Pcs, R48638) |
| 5A | OZ10290 | R48637 | | Washer |
| 5B | OZ10290 | R48638 | | O-Ring |
| 5C | OZ10212 | AR71617 | | Seal Kit For T32340 Liner |
| 6 | OT10002 | T23482 | | Pin |
| 7 | OZ10026 | R51112 | M67T | Snap Ring |
| 8 | OZ10215 | T23471 | | Bushing,Conrod |
| 9 | OT10003 | | | Pin Kit,(Kit contents: T23471, T23482, R51112 (2) |

Connecting rod and Balancer shaft



| Key | Ozgun No | OEM No | SUB No | Description |
|-----|----------|---------|---------|-------------------------|
| 1 | OZ10244 | RE19733 | AT18005 | Connecting Rod |
| 2 | OZ10215 | T23471 | | Bushing,Conrod |
| 3 | OZ10219 | R74194 | T20009 | Bolt,Conrod |
| 7 | OT10003 | | | Pin Kit |
| 4 | OZ10608 | AR61351 | RE26282 | Balancer Shaft,Rh |
| 4A | OZ10609 | AR61352 | RE26283 | Balancer Shaft,Lh |
| 5 | OZ10610 | R57160 | R119210 | Bush Std,Balancer Shaft |
| 5 | OZ10621 | R91708 | | Bush 020,Balancer Shaft |
| 6 | OZ10611 | T20193 | R88112 | Plate,Balancer Shaft |
| 7 | OT10003 | | | Pin Kit |
| 8 | OZ10026 | R51112 | M67T | Snap Ring |
| 9 | OT10002 | T23482 | | Pin |

Overhaul Kit



| Ozgur No | OEM No | Kit contents | | | Description |
|----------|-------------|--------------|-------------------|--------|--|
| | | Part No | Description | Pieces | |
| OZ00202 | | OZ10251 | Piston Kit | 4 | Overhaul Kit (<-157576), Oring on Liner |
| | | OZ10039 | Bearing Set,Std | 1 | |
| | | R79623 | Valve,Intake,Std | 4 | |
| | | R79624 | Valve,Exhaust,Std | 4 | |
| | | T23471 | Bushing | 4 | |
| | | AR67942 | Seal,Front | 1 | |
| | | RE44574 | Seal,Rear | 1 | |
| | | RE524745 | Full Gasket | 1 | |
| OZ00202L | | Part No | Description | Pieces | Overhaul Kit (157577->) |
| | | AR71591 | Piston Kit | 4 | |
| | | OZ10039 | Bearing Set,Std | 1 | |
| | | R79623 | Valve,Intake,Std | 4 | |
| | | R79624 | Valve,Exhaust,Std | 4 | |
| | | T23471 | Bushing | 4 | |
| | | AR67942 | Seal,Front | 1 | |
| | | RE44574 | Seal,Rear | 1 | |
| RE524745 | Full Gasket | 1 | | | |

Bearing



| Key | Ozgur No | OEM No | SUB No | Description |
|-----|----------|----------|---------|--|
| 1 | OZ10010 | RE521350 | AT21139 | Thrust Bearing,Std |
| 1 | OZ10011 | RE526754 | AT21132 | Thrust Bearing,010 |
| 1 | OZ10012 | RE527235 | AT21134 | Thrust Bearing,020 |
| 1 | OZ10013 | RE527236 | AT21136 | Thrust Bearing,030 |
| 1 | OZ10014 | AT21130 | | Thrust Bearing,040 |
| 2 | OZ10005 | RE27352 | AT21140 | Main Bearing,Std. |
| 2 | OZ10006 | RE27353 | AT21110 | Main Bearing,010 |
| 2 | OZ10007 | RE27360 | AT21112 | Main Bearing,020 |
| 2 | OZ10008 | RE27368 | AT21114 | Main Bearing,030 |
| 2 | OZ10009 | AT21108 | | Main Bearing,040 |
| 3 | OZ10015 | RE27348 | AT21138 | Con Rod Bearing, Std. |
| 3 | OZ10016 | RE27349 | AT21124 | Con Rod Bearing, 010 |
| 3 | OZ10017 | RE27358 | AT21126 | Con Rod Bearing, 020 |
| 3 | OZ10018 | RE27364 | AT21128 | Con Rod Bearing, 030 |
| 3 | OZ10019 | AT21122 | | Con Rod Bearing, 040 |
| 4 | OZ10039 | OZ10039 | | Bearing Set,Std. , (Kit contents: RE521350 , RE27352,4 pcs, RE27348,4 pcs) |
| 4 | OZ10040 | OZ10040 | | Bearing Set,010, (Kit contents: RE526754, RE27353,4 pcs, RE27349,4 pcs) |
| 4 | OZ10041 | OZ10041 | | Bearing Set,020 , (Kit contents: RE527235, RE27360,4 pcs, RE27358,3 pcs) |
| 4 | OZ10042 | OZ10042 | | Bearing Set,030 , (Kit contents: RE527236, RE27368,4 pcs, RE27364,4 pcs) |
| 4 | OZ10043 | OZ10043 | | Bearing Set,040 , (Kit contents: AT21130, AT21108,4 pcs, AT21122,4 pcs) |

Valve and Camshaft



| Key | Ozgun No | OEM No | SUB No | Description |
|-----|----------|----------|---------|---------------------------|
| 1 | OZ10401 | R79623 | R52251 | Valve,Intake,Std |
| 1 | OZ10402 | R79628 | R57332 | Valve,Intake,003 |
| 1 | OZ10403 | R79629 | R57334 | Valve,Intake,015 |
| 2 | OZ10404 | R79624 | R52252 | Valve,Exhaust,Std |
| 2 | OZ10405 | R79625 | R57333 | Valve,Exhaust,003 |
| 2 | OZ10406 | R79626 | R57335 | Valve,Exhaust,015 |
| 3 | OZ10415 | R82820 | AR79623 | Camshaft W/O Gear |
| 4 | OZ10417 | T20070 | | Gear,Camshaft |
| 5 | OZ10408 | R82896 | T20310 | Push Rod |
| 6 | OZ10407 | T20073 | | Tappet |
| 7 | OZ10413 | T20129 | | Cap |
| 8 | OZ10412 | T20077 | | Retainer |
| 9 | OZ10411 | RE11410 | T20176 | Rotator |
| 10 | OZ10410 | R26125 | | Spring |
| 11 | OZ10409 | RE508317 | RE31973 | Rocker Arm |
| 12 | OZ10418 | RE519736 | R54987 | Shaft |
| 13 | OZ10421 | R123161 | T20315 | Support, Rocker Arm Shaft |
| 14 | OT10004 | R73064 | R97779 | Insert,Valve Inlet |
| 15 | OT10005 | R51734 | R97778 | Insert,Valve Exhaust |
| 16 | OT10006 | R87627 | | O-Ring, for RE11410 |

Oil Pump



| Key | Ozgur No | OEM No | SUB No | Description |
|-----|----------|---------|---------|---------------------|
| 1 | OZ10601 | RE52020 | RE35685 | Oil Pump Assy |
| 2 | OZ10623 | RE15381 | | Oil Pump |
| 3 | OZ10603 | AR62978 | | Shaft Gear,Oil Pump |
| 4 | OZ10604 | R54614 | | Gear,Oil Pump |
| 5 | OZ10602 | AR62979 | | Housing,Oil Pump |
| 6 | OZ10606 | RE36425 | AR60701 | Strainer,Oil Pump |
| 7 | OZ10613 | T20050 | | Tube,Oil Pump |
| 8 | OZ10605 | R53382 | | Cover,Oil Pump |
| 9 | OZ10612 | T20298 | | Gear |

Oil Cooler and Oil Filter



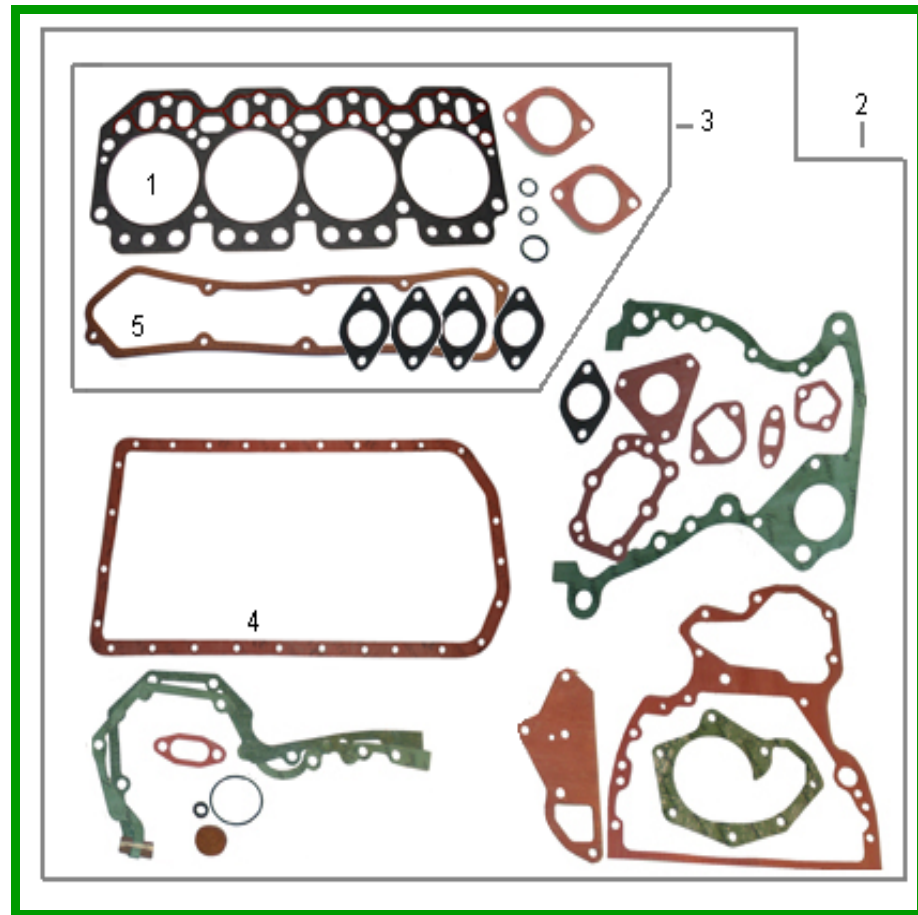
| Key | Ozgun No | OEM No | SUB No | Description |
|-----|----------|----------|----------|---------------------|
| 1 | OZ11402 | T23620 | | Cover,Thermostat |
| 1A | OZ11401 | T20317 | | Cover,Thermostat |
| 2 | OZ11405 | RE33705 | AT22961 | Thermostat,82c, |
| 3 | OZ11404 | L35843 | R60765 | Hose,Thermostat |
| 3 | OZ11403 | T20277 | | Hose,Thermostat |
| 4 | OZ11909 | T19044 | | Oil Filter |
| 5 | OZ11908 | AR78192 | AT21534 | Dipstick |
| 6 | OZ11805 | AT85174 | AR27977 | Switch,Oil |
| 7 | OZ11811 | T20294 | R90788 | Cover,Oil |
| 8 | OZ11813 | AR100124 | AR103811 | Screw |
| 9 | OZ12406 | RE51774 | AL24527 | Switch, Water Temp. |
| 10 | OZ10911 | AL71285 | AT20848 | Oil Cooler |
| 11 | OZ10913 | L35845 | T24760 | Hose,Oil Cooler |

Fuel System



| Key | Ozgun No | OEM No | SUB No | Description |
|-----|----------|----------|---------|----------------|
| 1 | OZ11613 | RE527115 | DD13483 | Fuel Pump |
| 2 | OZ11614 | RE526203 | AR60559 | Kit,Fuel Pump |
| 3 | OZ11617 | T30738 | R82131 | Elbow |
| 4 | OZ11615 | AR50041 | | Fuel Filter |
| 5 | OZ11001 | AR89564 | AR89563 | Nozzle |
| 6 | OZ11002 | AT27622 | | Kit |
| 7 | OZ11007 | AR85618 | | Kit |
| 8 | OZ11003 | R60746 | R34764 | Seal |
| 9 | OZ11004 | R48000 | R34767 | Seal |
| 10 | OZ11005 | R34760 | | Clamp |
| 11 | OZ11006 | R68283 | T27465 | Hose |
| 12 | OZ10624 | AR85710 | AT27917 | Gear,Fuel Pump |

Gaskets

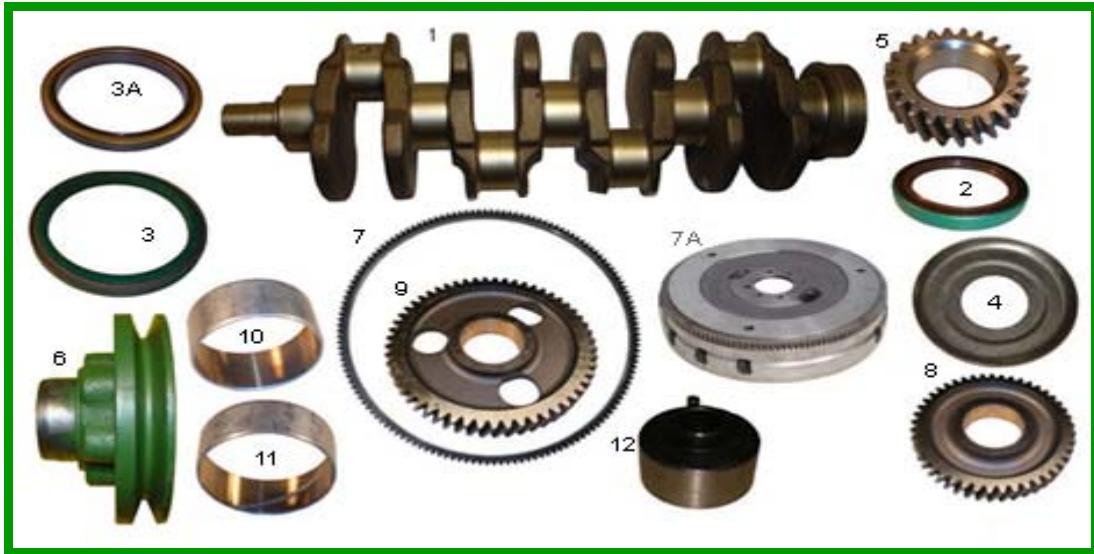


| Key | Ozgur No | OEM No | SUB No | Description |
|-----|----------|----------|---------|---------------------|
| 1 | OT10301 | R98461 | R52790 | Head Gasket |
| 2 | OT10302 | RE524745 | RE38558 | Full Gasket |
| 2 | OZ11834 | RE527095 | RE10535 | Full Gasket |
| 3 | OZ11840 | RE526666 | RE38847 | Top Gasket |
| 4 | OZ11214 | R97342 | R49515 | Gasket,Oil Pan |
| 5 | OZ11211 | R73521 | T20075 | Gasket,Rocker Cover |

300 SERIES 4.219D ENGINES

| | |
|--------------------------------------|---|
| ENGINE TYPE / SERIAL / SERIES | 4219D / <-275483 / 300 |
| CYL / BORE (MM) / PIN (MM) | 4 / 102,00 / 30,00 |
| DETAILS | Orings on liner, AR51903 |
| AGRICULTURAL | TRACTOR MODEL; 2120 (065874-199742),2520 (<-157575) |
| INDUSTRIAL | |
| GENERATOR | |
| ENGINE TYPE / SERIAL / SERIES | 4219D / <-275483 / 300 |
| CYL / BORE (MM) / PIN (MM) | 4 / 102,00 / 30,00 |
| DETAILS | Orings on block, liner T32343 |
| AGRICULTURAL | TRACTOR MODEL; 2520(157576->) |
| INDUSTRIAL | BACKHOE LOADER; 401,410 (<-189345) SKIDDER; 440 (021391-181034),440A (021391-181034),440B (021391-181034) CRAWLER; 450B (Crawler Tractor <-187208) |
| GENERATOR | |
| ENGINE TYPE / SERIAL / SERIES | 4219D / 275484-> / 300 |
| CYL / BORE (MM) / PIN (MM) | 4 / 102,00 / 35,00 |
| DETAILS | Orings on block, liner T32343 |
| AGRICULTURAL | TRACTOR MODEL; 1830,2030,2120 (199743->),2120CDN, 2440, 2520 (157576->) COMBINE MODELS; 930,3300 COTTON PICKER,STRIPPER; 482 WINDROWER; 2270,2280,2320,2420 |
| INDUSTRIAL | BACKHOE LOADER; 310A,310B,401B,401C,401D,410 (189346->),410B SKIDDER; 440 (181035->),440A (181035->),440B (181035->) CRAWLER; 450 (Tractor, Remanufactured),450B (Crawler Tractor 187209->),450C (Bulldozer),450C (Loader),450D (Bulldozer),455D (Loader) FORKLIFT; 480B,480C |
| GENERATOR | |

Crankshaft and compenents



| Key | Ozгур No | OEM No | SUB No | Description |
|-----|----------|---------|---------|--------------------------|
| 1 | OZ10001 | AT18030 | RE46896 | Crankshaft |
| 2 | OZ10021 | AR67942 | AT21608 | Seal,Front |
| 3 | OZ10020 | RE44574 | | Seal,Rear |
| 3 | OT10001 | AR92893 | AT22965 | Seal,Rear |
| 4 | OZ10022 | T20046 | | Silinger,Seal Front |
| 5 | OZ10023 | T20094 | | Gear,Crankshaft |
| 6 | OZ10024 | R59915 | T25366 | Pulley,Crankshaft |
| 7 | OZ11804 | R114282 | T20088 | Ring Gear |
| 7A | OZ11808 | AT21381 | | Flywheel |
| 8 | OZ10617 | AR91660 | AT18009 | Gear,Cranshaft Idler,Up |
| 9 | OZ10618 | AT24252 | T26322 | Gear,Cranshaft Idler,Low |
| 10 | OZ10622 | T20034 | | Bush,Up |
| 11 | OZ10620 | T26321 | | Bush,Low |
| 12 | OZ10619 | R109863 | T26323 | Pin |

Overhaul Kit



| Ozgur No | OEM No | Kit contents | | | Description |
|----------|-------------|----------------|--------------------|---------------|---|
| OZ00164 | | Part No | Description | Pieces | Overhaul Kit, (-<275483) Oring on Liner |
| | | OZ10252 | Piston Kit | 4 | |
| | | OZ10034 | Bearing Set,Std | 1 | |
| | | R79623 | Valve,Intake,Std | 4 | |
| | | R79624 | Valve,Exhaust,Std | 4 | |
| | | T23471 | Bushing | 4 | |
| | | AR67942 | Seal,Front | 1 | |
| | | RE44574 | Seal,Rear | 1 | |
| OZ00164E | | Part No | Description | Pieces | Overhaul Kit, (-<275483) Oring on Block |
| | | AR71593 | Piston Kit | 4 | |
| | | OZ10034 | Bearing Set,Std | 1 | |
| | | R79623 | Valve,Intake,Std | 4 | |
| | | R79624 | Valve,Exhaust,Std | 4 | |
| | | T23471 | Bushing | 4 | |
| | | AR67942 | Seal,Front | 1 | |
| | | RE44574 | Seal,Rear | 1 | |
| OZ00164L | | Part No | Description | Pieces | Overhaul Kit, (275484->) |
| | | AR78041 | Piston Kit | 4 | |
| | | OZ10034 | Bearing Set,Std | 1 | |
| | | R79623 | Valve,Intake,Std | 4 | |
| | | R79624 | Valve,Exhaust,Std | 4 | |
| | | R55647 | Bushing | 4 | |
| | | AR67942 | Seal,Front | 1 | |
| | | RE44574 | Seal,Rear | 1 | |
| OZ00164H | | Part No | Description | Pieces | Overhaul Kit, H Type, (275484->) |
| | | AR90550 | Piston Kit | 4 | |
| | | OZ10034 | Bearing Set,Std | 1 | |
| | | R79623 | Valve,Intake,Std | 4 | |
| | | R79624 | Valve,Exhaust,Std | 4 | |
| | | R55647 | Bushing | 4 | |
| | | AR67942 | Seal,Front | 1 | |
| | | RE44574 | Seal,Rear | 1 | |
| RE524745 | Full Gasket | 1 | | | |

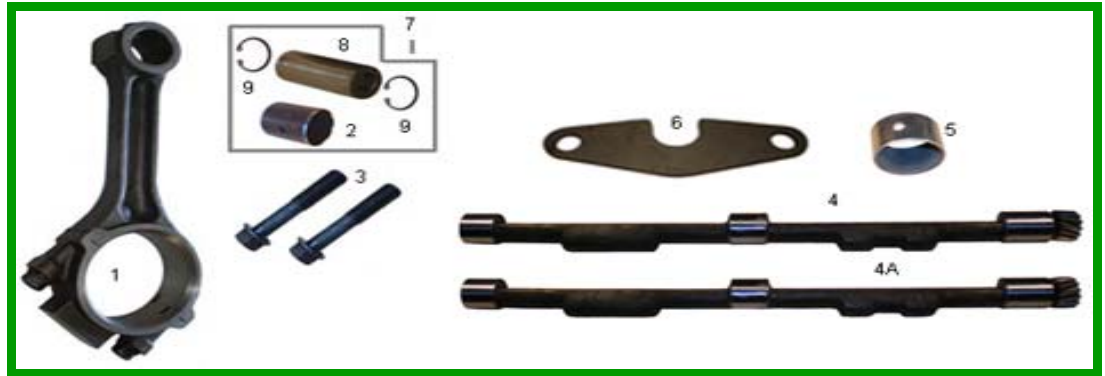
Piston Kit and Connecting rod



Piston Kit and Connecting rod

| Key | Ozgun No | OEM No | SUB No | Description |
|-----|----------|---------|---------|---|
| 1 | OZ10252 | | | Piston-Liner Kit(<-179601,Oring On Liner), Kit contents:AR78310,AR55759, AR51903 |
| 1 | OZ10220 | AR71593 | RE19896 | Piston-Liner Kit(<-179601,Oring On) , Kit contents: AR78310, AR55759, T32343 |
| 1A | OZ10253 | AR78041 | AR71592 | Piston-Liner Kit(179601->,Oring On Block) , Kit contents: AR77762, AR55759, T32343 |
| 1A | OZ10201 | AR90550 | RE53322 | Piston-Liner Kit H Type ,(Kit contents: AR87736, AR55759, T32343) |
| 2 | OZ10203 | AR78310 | T30015 | Piston,W/O Alfini (<-179601) |
| 2A | OZ10204 | AR77762 | AR55984 | Piston,W/Alfini(179602->) |
| 2A | OZ10270 | AR87736 | | Piston,W/O Alfini H Type |
| 3 | OZ10207 | AR55759 | | Ring |
| 4 | OZ10239 | AR51903 | | Liner,Oring On Liner |
| 4A | OZ10210 | T32343 | | Liner,Oring On Block |
| 5 | OZ10291 | | | Seal Kit for AR51903 Liner,(Kit contents: R48637,2 pcs, T32341) |
| 5A | OZ10290 | R48637 | | Washer |
| 5B | OZ11363 | T32341 | | O-Ring |
| 5C | OZ10213 | AR71618 | | Seal Kit Viton for T32343 Liner |
| 5C | OT10100 | DD13276 | | Seal Kit Silicon |
| 6 | OZ10028 | T26149 | | Pin, for AR78310 Piston |
| 6 | OZ10029 | R125754 | R51731 | Pin, for AR77762 Piston |
| 7 | OZ10026 | R51112 | M67T | Snap Ring, for AR78310 Piston |
| 7 | OZ10027 | M41029 | | Snap Ring, for AR77762 Piston |
| 8 | OT10101 | | | Pin Kit, With T23471 |
| 8 | OT10102 | RE63914 | | Pin Kit, With R55647 |
| 9 | OZ10215 | T23471 | | Bushing,Conrod, for AR78310 Piston |
| 9 | OZ10216 | R55647 | R51728 | Bushing,Conrod, for AR77762 Piston |
| 10 | OZ10219 | R74194 | T20009 | Bolt,Conrod, for AT18009 and AR55978 |
| 10 | OZ10250 | R80033 | | Bolt,Conrod, for RE16495,L=59 mm |
| 8 | OZ10244 | RE19733 | AT18005 | Connecting Rod, for AR78310 Piston |
| 8 | OZ10218 | RE21076 | RE16495 | Connecting Rod, for AR77762 Piston |

Connecting rod and Balancer shaft



| Key | Ozgur No | OEM No | SUB No | Description |
|-----|----------|---------|---------|-------------------------|
| 1 | OZ10244 | RE19733 | AT18005 | Connecting Rod |
| 2 | OZ10215 | T23471 | | Bushing,Conrod |
| 3 | OZ10219 | R74194 | T20009 | Bolt,Conrod |
| 7 | OT10003 | | | Pin Kit |
| 4 | OZ10608 | AR61351 | RE26282 | Balancer Shaft,Rh |
| 4A | OZ10609 | AR61352 | RE26283 | Balancer Shaft,Lh |
| 5 | OZ10610 | R57160 | R119210 | Bush Std,Balancer Shaft |
| 5 | OZ10621 | R91708 | | Bush 020,Balancer Shaft |
| 6 | OZ10611 | T20193 | R88112 | Plate,Balancer Shaft |
| 7 | OT10003 | | | Pin Kit |
| 8 | OZ10026 | R51112 | M67T | Snap Ring |
| 9 | OT10002 | T23482 | | Pin |

Bearing



| Key | Ozgur No | OEM No | SUB No | Description |
|-----|----------|----------|---------|--|
| 1 | OZ10010 | RE521350 | AT21139 | Thrust Bearing,Std |
| 1 | OZ10011 | RE526754 | AT21132 | Thrust Bearing,010 |
| 1 | OZ10012 | RE527235 | AT21134 | Thrust Bearing,020 |
| 1 | OZ10013 | RE527236 | AT21136 | Thrust Bearing,030 |
| 1 | OZ10014 | AT21130 | | Thrust Bearing,040 |
| 2 | OZ10005 | RE27352 | AT21140 | Main Bearing,Std. |
| 2 | OZ10006 | RE27353 | AT21110 | Main Bearing,010 |
| 2 | OZ10007 | RE27360 | AT21112 | Main Bearing,020 |
| 2 | OZ10008 | RE27368 | AT21114 | Main Bearing,030 |
| 2 | OZ10009 | AT21108 | | Main Bearing,040 |
| 3 | OZ10015 | RE27348 | AT21138 | Con Rod Bearing, Std. |
| 3 | OZ10016 | RE27349 | AT21124 | Con Rod Bearing, 010 |
| 3 | OZ10017 | RE27358 | AT21126 | Con Rod Bearing, 020 |
| 3 | OZ10018 | RE27364 | AT21128 | Con Rod Bearing, 030 |
| 3 | OZ10019 | AT21122 | | Con Rod Bearing, 040 |
| 4 | OZ10039 | OZ10039 | | Bearing Set,Std. , (Kit contents: RE521350 , RE27352,4 pcs, RE27348,4 pcs) |
| 4 | OZ10040 | OZ10040 | | Bearing Set,010, (Kit contents: RE526754, RE27353,4 pcs, RE27349,4 pcs) |
| 4 | OZ10041 | OZ10041 | | Bearing Set,020 , (Kit contents: RE527235, RE27360,4 pcs, RE27358,3 pcs) |
| 4 | OZ10042 | OZ10042 | | Bearing Set,030 , (Kit contents: RE527236, RE27368,4 pcs, RE27364,4 pcs) |
| 4 | OZ10043 | OZ10043 | | Bearing Set,040 , (Kit contents: AT21130, AT21108,4 pcs, AT21122,4 pcs) |

Valve and Camshaft



| Key | Ozgun No | OEM No | SUB No | Description |
|-----|----------|----------|---------|---------------------------|
| 1 | OZ10401 | R79623 | R52251 | Valve,Intake,Std |
| 1 | OZ10402 | R79628 | R57332 | Valve,Intake,003 |
| 1 | OZ10403 | R79629 | R57334 | Valve,Intake,015 |
| 2 | OZ10404 | R79624 | R52252 | Valve,Exhaust,Std |
| 2 | OZ10405 | R79625 | R57333 | Valve,Exhaust,003 |
| 2 | OZ10406 | R79626 | R57335 | Valve,Exhaust,015 |
| 3 | OZ10415 | R82820 | AR79623 | Camshaft W/O Gear |
| 4 | OZ10417 | T20070 | | Gear,Camshaft |
| 5 | OZ10408 | R82896 | T20310 | Push Rod |
| 6 | OZ10407 | T20073 | | Tappet |
| 7 | OZ10413 | T20129 | | Cap |
| 8 | OZ10412 | T20077 | | Retainer |
| 9 | OZ10411 | RE11410 | T20176 | Rotator |
| 10 | OZ10410 | R26125 | | Spring |
| 11 | OZ10409 | RE508317 | RE31973 | Rocker Arm |
| 12 | OZ10418 | RE519736 | R54987 | Shaft |
| 13 | OZ10421 | R123161 | T20315 | Support, Rocker Arm Shaft |
| 14 | OT10004 | R73064 | R97779 | Insert,Valve Inlet |
| 15 | OT10005 | R51734 | R97778 | Insert,Valve Exhaust |
| 16 | OT10006 | R87627 | | O-Ring, for RE11410 |

Oil Pump



| Key | Ozgun No | OEM No | SUB No | Description |
|-----|----------|---------|---------|---------------------|
| 1 | OZ10601 | RE52020 | RE35685 | Oil Pump Assy |
| 2 | OZ10623 | RE15381 | | Oil Pump |
| 3 | OZ10603 | AR62978 | | Shaft Gear,Oil Pump |
| 4 | OZ10604 | R54614 | | Gear,Oil Pump |
| 5 | OZ10602 | AR62979 | | Housing,Oil Pump |
| 6 | OZ10606 | RE36425 | AR60701 | Strainer,Oil Pump |
| 7 | OZ10613 | T20050 | | Tube,Oil Pump |
| 8 | OZ10605 | R53382 | | Cover,Oil Pump |
| 9 | OZ10612 | T20298 | | Gear |

Oil Cooler and Oil Filter



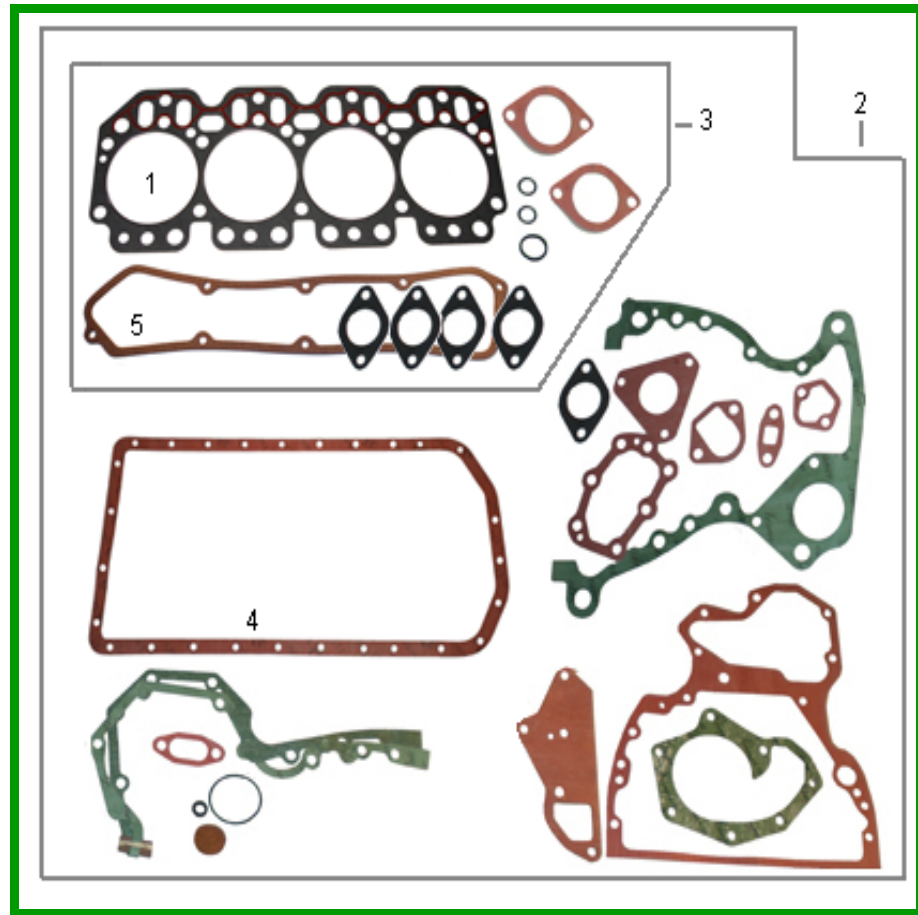
| Key | Ozgur No | OEM No | SUB No | Description |
|-----|----------|----------|----------|---------------------|
| 1 | OZ11402 | T23620 | | Cover,Thermostat |
| 1A | OZ11401 | T20317 | | Cover,Thermostat |
| 2 | OZ11405 | RE33705 | AT22961 | Thermostat,82c, |
| 3 | OZ11404 | L35843 | R60765 | Hose,Thermostat |
| 3 | OZ11403 | T20277 | | Hose,Thermostat |
| 4 | OZ11909 | T19044 | | Oil Filter |
| 5 | OZ11908 | AR78192 | AT21534 | Dipstick |
| 6 | OZ11805 | AT85174 | AR27977 | Switch,Oil |
| 7 | OZ11811 | T20294 | R90788 | Cover,Oil |
| 8 | OZ11813 | AR100124 | AR103811 | Screw |
| 9 | OZ12406 | RE51774 | AL24527 | Switch, Water Temp. |
| 10 | OZ10911 | AL71285 | AT20848 | Oil Cooler |
| 11 | OZ10913 | L35845 | T24760 | Hose,Oil Cooler |
| 12 | OZ11912 | AR67607 | | Oil Cooler |

Fuel System



| Key | Ozgun No | OEM No | SUB No | Description |
|-----|----------|----------|---------|----------------|
| 1 | OZ11613 | RE527115 | DD13483 | Fuel Pump |
| 2 | OZ11614 | RE526203 | AR60559 | Kit,Fuel Pump |
| 3 | OZ11617 | T30738 | R82131 | Elbow |
| 4 | OZ11615 | AR50041 | | Fuel Filter |
| 5 | OZ11001 | AR89564 | AR89563 | Nozzle |
| 6 | OZ11002 | AT27622 | | Kit |
| 7 | OZ11007 | AR85618 | | Kit |
| 8 | OZ11003 | R60746 | R34764 | Seal |
| 9 | OZ11004 | R48000 | R34767 | Seal |
| 10 | OZ11005 | R34760 | | Clamp |
| 11 | OZ11006 | R68283 | T27465 | Hose |
| 12 | OZ10624 | AR85710 | AT27917 | Gear,Fuel Pump |

Gaskets

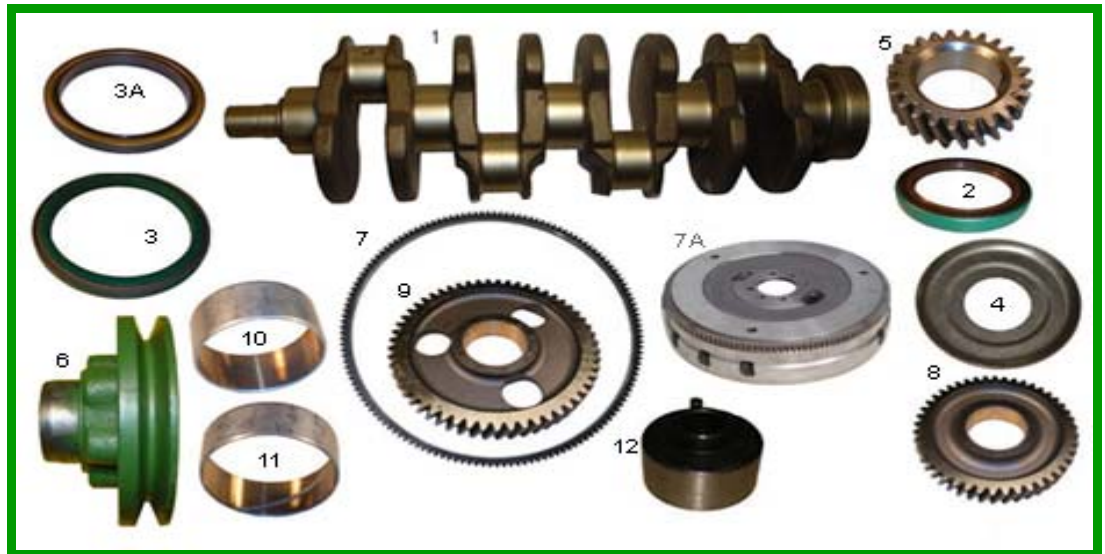


| Key | Ozgun No | OEM No | SUB No | Description |
|-----|----------|----------|---------|---------------------|
| 1 | OT10301 | R98461 | R52790 | Head Gasket |
| 2 | OT10302 | RE524745 | RE38558 | Full Gasket |
| 2 | OZ11834 | RE527095 | RE10535 | Full Gasket |
| 3 | OZ11840 | RE526666 | RE38847 | Top Gasket |
| 4 | OZ11214 | R97342 | R49515 | Gasket,Oil Pan |
| 5 | OZ11211 | R73521 | T20075 | Gasket,Rocker Cover |

300 SERIES 4.239D ENGINES

| | |
|--------------------------------------|---|
| ENGINE TYPE / SERIAL / SERIES | 4239D / / 300 |
| CYL / BORE (MM) / PIN (MM) | 4 / 106,50 / 35,00 |
| DETAILS | piston RE19282,RE19283 |
| AGRICULTURAL | TRACTOR MODEL; 1630,1640,1840,2040,2040S (430000->),2040F,2130,2250,2255,2350,2355,2355CS,2450,2450F,2550,2555CS,2730,2735 COMBINE MODELS; 935,940,1032,1042 WINDROWER; 2360,3430 (<-299999) |
| INDUSTRIAL | BACKHOE LOADER; 210C (<-299999),315C,415B EXCAVATOR; 70,70D,190E CRAWLER; 400G (Bulldozer <-299999) FORKLIFT; 482C (<-299999) |
| GENERATOR | |
| ENGINE TYPE / SERIAL / SERIES | 4239T / / 300 |
| CYL / BORE (MM) / PIN (MM) | 4 / 106,50 / 41,00 |
| DETAILS | piston RE19278,RE19279 |
| AGRICULTURAL | TRACTOR MODEL; 2040S(<-429999),2140,2555SS,2650,2650F,2650N,2750,2755,2850,2855,2855N COMBINE MODELS; 945,1052,1155 WINDROWER; 3830 (<-299999) |
| INDUSTRIAL | BACKHOE LOADER; 315C,515B EXCAVATOR; 290D (<-299999),490D (<-216421) FELLER BUNCHER; 493D (<-216421) |
| GENERATOR | |

Crankshaft and compenents



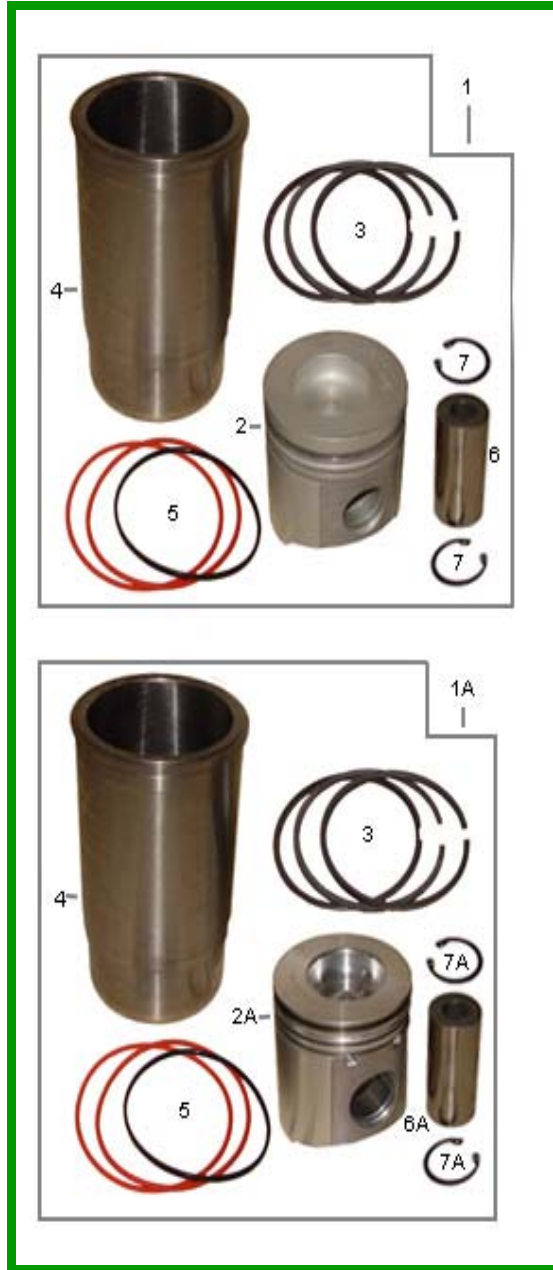
| Key | Ozgur No | OEM No | SUB No | Description |
|-----|----------|---------|---------|--------------------------|
| 1 | OZ10002 | AT18030 | RE57664 | Crankshaft (<-216421) |
| 1 | OZ10052 | RE20585 | RE36605 | Crankshaft (216421->) |
| 2 | OZ10021 | AR67942 | AT21608 | Seal,Front |
| 3 | OZ10020 | RE44574 | | Seal,Rear |
| 3 | OT10001 | AR92893 | AT22965 | Seal,Rear |
| 4 | OZ10022 | T20046 | | Silinger,Seal Front |
| 5 | OZ10023 | T20094 | | Gear,Crankshaft |
| 6 | OZ10025 | R80808 | R59312 | Pulley,Crankshaft |
| 7 | OZ11804 | R114282 | T20088 | Ring Gear |
| 7A | OZ11809 | AR92508 | RE18678 | Flywheel |
| 8 | OZ10617 | AR91660 | AT18009 | Gear,Cranshaft Idler,Up |
| 9 | OZ10618 | AT24252 | T26322 | Gear,Cranshaft Idler,Low |
| 10 | OZ10622 | T20034 | | Bush,Up |
| 11 | OZ10620 | T26321 | | Bush,Low |
| 12 | OZ10619 | R109863 | T26323 | Pin |

Overhaul Kit



| Ozgur No | OEM No | Kit contents | | | Description |
|-----------|-------------|--------------|-------------------|--------|------------------------------------|
| | | Part No | Description | Pieces | |
| OZ00239D | | RE30250 | Piston Kit | 4 | Overhaul Kit, 4239D, Std.Piston |
| | | OZ10034 | Bearing Set,Std | 1 | |
| | | R79623 | Valve,Intake,Std | 4 | |
| | | R79624 | Valve,Exhaust,Std | 4 | |
| | | R55647 | Bushing | 4 | |
| | | AR67942 | Seal,Front | 1 | |
| | | RE44574 | Seal,Rear | 1 | |
| RE524748 | Full Gasket | 1 | | | |
| OZ00239T | | RE11510 | Piston Kit | 4 | Overhaul Kit, 4239D, H Piston |
| | | OZ10034 | Bearing Set,Std | 1 | |
| | | R79623 | Valve,Intake,Std | 4 | |
| | | R79624 | Valve,Exhaust,Std | 4 | |
| | | R55647 | Bushing | 4 | |
| | | AR67942 | Seal,Front | 1 | |
| | | RE44574 | Seal,Rear | 1 | |
| RE524748 | Full Gasket | 1 | | | |
| OZ04239T | | RE22678 | Piston Kit | 4 | Overhaul Kit, 4239T, Std.Piston |
| | | OZ10034 | Bearing Set,Std | 1 | |
| | | R79623 | Valve,Intake,Std | 4 | |
| | | R79624 | Valve,Exhaust,Std | 4 | |
| | | R57451 | Bushing | 4 | |
| | | AR67942 | Seal,Front | 1 | |
| | | RE44574 | Seal,Rear | 1 | |
| RE524748 | Full Gasket | 1 | | | |
| OZ04239TH | | RE22681 | Piston Kit | 4 | Overhaul Kit, 4239T, H Piston |
| | | OZ10034 | Bearing Set,Std | 1 | |
| | | R79623 | Valve,Intake,Std | 4 | |
| | | R79624 | Valve,Exhaust,Std | 4 | |
| | | R57451 | Bushing | 4 | |
| | | AR67942 | Seal,Front | 1 | |
| | | RE44574 | Seal,Rear | 1 | |
| RE524748 | Full Gasket | 1 | | | |

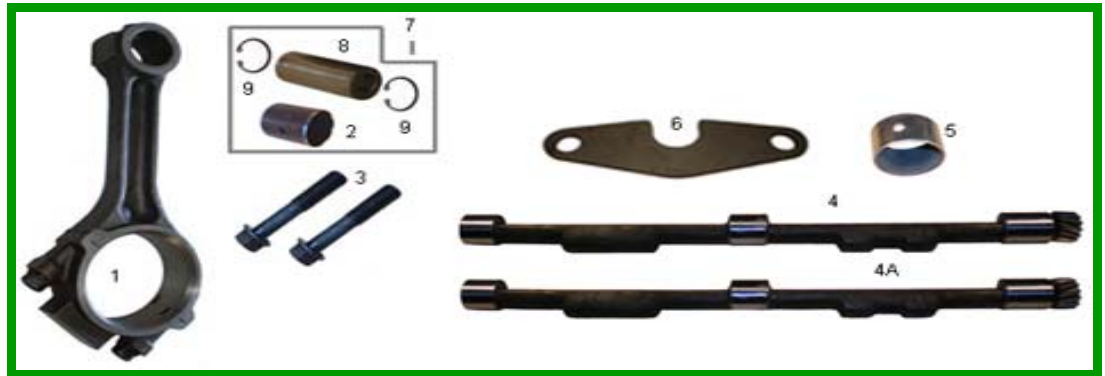
Piston Kit



Piston Kit and Connecting rod

| Key | Ozgur No | OEM No | SUB No | Description |
|-----|----------|----------|---------|---|
| 1 | OZ10245 | RE30250 | RE24458 | Piston-Liner Kit, B Type,(4239D) , Kit contents: RE19282, RE507852, R116281, AR65507 |
| 1 | OZ10310 | RE11510 | RE24539 | Piston-Liner Kit H Type, (4239D) , Kit contents: RE19283, RE507852, R116281, AR65507 |
| 1A | OZ10246 | RE22678 | RE33115 | Piston-Liner Kit B Type, (4239T) , Kit contents: RE19278, RE507852, R116281, AR65507 |
| 1A | OZ10254 | RE22681 | RE15597 | Piston-Liner Kit H Type, (4239T) , Kit contents: RE19279, RE507852, R116281, AR65507 |
| 2 | OZ10205 | RE19282 | AR79868 | Piston,W/Alfini for RE30250 |
| 2 | OZ10271 | RE19283 | AR87738 | Piston,W/Alfini for RE11510 |
| 2A | OZ10206 | RE19278 | AR71067 | Piston,W/Alfini for RE33115 |
| 2A | OZ10272 | RE19279 | RE11596 | Piston,W/Alfini for RE22681 |
| 3 | OZ10208 | RE507852 | RE66820 | Ring |
| 4 | OZ10211 | R116281 | R51726 | Liner |
| 5 | OZ10214 | AR65507 | AR68318 | Seal Kit Viton |
| 5 | OT10200 | DD13277 | | Seal Kit Silicon |
| 6 | OZ10029 | R125754 | R51731 | Pin,Piston(4239D) |
| 6A | OZ10030 | R124230 | R56188 | Pin,Piston(4239T) |
| 7 | OZ10027 | M41029 | | Snap Ring(4239D) |
| 7A | OT10201 | R54114 | | Snap Ring (4239T) |
| 8 | OZ10218 | RE21076 | RE16495 | Connecting Rod (4239D) |
| 8A | OZ10303 | RE42733 | RE16494 | Connecting Rod(4239T) |
| 9 | OZ10216 | R55647 | R51728 | Bushing,Conrod(4239D) |
| 9A | OZ10217 | R57451 | R56186 | Bushing,Conrod(4239T) |
| 10 | OZ10219 | R74194 | T20009 | Bolt,Conrod,for AR55978 |
| 10 | OZ10250 | R80033 | | Bolt,Conrod, for RE16495,RE42733,L=59mm |
| 11 | OT10102 | RE63914 | | Pin Kit (4239D),Kit contents:R125754, R55647,M41029(2) |
| 11A | OT10202 | RE63913 | | Pin Kit (4239T),Kit contents:R124230, R57451, R54114(2) |

Connecting rod and Balancer shaft



| Key | Ozgun No | OEM No | SUB No | Description |
|-----|----------|---------|---------|-------------------------|
| 1 | OZ10244 | RE19733 | AT18005 | Connecting Rod |
| 2 | OZ10215 | T23471 | | Bushing,Conrod |
| 3 | OZ10219 | R74194 | T20009 | Bolt,Conrod |
| 4 | OZ10608 | AR61351 | RE26282 | Balancer Shaft,Rh |
| 4A | OZ10609 | AR61352 | RE26283 | Balancer Shaft,Lh |
| 5 | OZ10610 | R57160 | R119210 | Bush Std,Balancer Shaft |
| 5 | OZ10621 | R91708 | | Bush 020,Balancer Shaft |
| 6 | OZ10611 | T20193 | R88112 | Plate,Balancer Shaft |
| 7 | OT10003 | | | Pin Kit |
| 8 | OZ10026 | R51112 | M67T | Snap Ring |
| 9 | OT10002 | T23482 | | Pin |

Bearing



| Key | Ozgun No | OEM No | SUB No | Description |
|-----|----------|----------|---------|---|
| 1 | OZ10010 | RE521350 | AT21139 | Thrust Bearing,Std |
| 1 | OZ10011 | RE526754 | AT21132 | Thrust Bearing,010 |
| 1 | OZ10012 | RE527235 | AT21134 | Thrust Bearing,020 |
| 1 | OZ10013 | RE527236 | AT21136 | Thrust Bearing,030 |
| 1 | OZ10014 | AT21130 | | Thrust Bearing,040 |
| 2 | OZ10005 | RE27352 | AT21140 | Main Bearing,Std. |
| 2 | OZ10006 | RE27353 | AT21110 | Main Bearing,010 |
| 2 | OZ10007 | RE27360 | AT21112 | Main Bearing,020 |
| 2 | OZ10008 | RE27368 | AT21114 | Main Bearing,030 |
| 2 | OZ10009 | AT21108 | | Main Bearing,040 |
| 3 | OZ10015 | RE27348 | AT21138 | Con Rod Bearing, Std. |
| 3 | OZ10016 | RE27349 | AT21124 | Con Rod Bearing, 010 |
| 3 | OZ10017 | RE27358 | AT21126 | Con Rod Bearing, 020 |
| 3 | OZ10018 | RE27364 | AT21128 | Con Rod Bearing, 030 |
| 3 | OZ10019 | AT21122 | | Con Rod Bearing, 040 |
| 4 | OZ10039 | OZ10039 | | Bearing Set,Std. , (Kit contents: RE521350 , RE27352,4 pcs, RE27348,4 pcs) |
| 4 | OZ10040 | OZ10040 | | Bearing Set,010, (Kit contents: RE526754, RE27353,4 pcs, RE27349,4 pcs) |
| 4 | OZ10041 | OZ10041 | | Bearing Set,020 , (Kit contents: RE527235, RE27360,4 pcs, RE27358,3 pcs) |
| 4 | OZ10042 | OZ10042 | | Bearing Set,030 , (Kit contents: RE527236, RE27368,4 pcs, RE27364,4 pcs) |
| 4 | OZ10043 | OZ10043 | | Bearing Set,040 , (Kit contents: AT21130, AT21108,4 pcs, AT21122,4 pcs) |

Valve and Camshaft



| Key | Ozgun No | OEM No | SUB No | Description |
|-----|----------|----------|---------|---------------------------|
| 1 | OZ10401 | R79623 | R52251 | Valve,Intake,Std |
| 1 | OZ10402 | R79628 | R57332 | Valve,Intake,003 |
| 1 | OZ10403 | R79629 | R57334 | Valve,Intake,015 |
| 2 | OZ10404 | R79624 | R52252 | Valve,Exhaust,Std |
| 2 | OZ10405 | R79625 | R57333 | Valve,Exhaust,003 |
| 2 | OZ10406 | R79626 | R57335 | Valve,Exhaust,015 |
| 3 | OZ10415 | R82820 | AR79623 | Camshaft W/O Gear |
| 4 | OZ10417 | T20070 | | Gear,Camshaft |
| 5 | OZ10408 | R82896 | T20310 | Push Rod |
| 6 | OZ10407 | T20073 | | Tappet |
| 7 | OZ10413 | T20129 | | Cap |
| 8 | OZ10412 | T20077 | | Retainer |
| 9 | OZ10411 | RE11410 | T20176 | Rototor |
| 10 | OZ10410 | R26125 | | Spring |
| 11 | OZ10409 | RE508317 | RE31973 | Rocker Arm |
| 12 | OZ10418 | RE519736 | R54987 | Shaft |
| 13 | OZ10421 | R123161 | T20315 | Support, Rocker Arm Shaft |
| 14 | OT10004 | R73064 | R97779 | Insert,Valve Inlet |
| 15 | OT10005 | R51734 | R97778 | Insert,Valve Exhaust |
| 16 | OT10006 | R87627 | | O-Ring, for RE11410 |

Oil Pump



| Key | Ozgur No | OEM No | SUB No | Description |
|-----|----------|---------|---------|---------------------|
| 1 | OZ10601 | RE52020 | RE35685 | Oil Pump Assy |
| 2 | OZ10623 | RE15381 | | Oil Pump |
| 3 | OZ10603 | AR62978 | | Shaft Gear,Oil Pump |
| 4 | OZ10604 | R54614 | | Gear,Oil Pump |
| 5 | OZ10602 | AR62979 | | Housing,Oil Pump |
| 6 | OZ10606 | RE36425 | AR60701 | Strainer,Oil Pump |
| 7 | OZ10613 | T20050 | | Tube,Oil Pump |
| 8 | OZ10605 | R53382 | | Cover,Oil Pump |
| 9 | OZ10612 | T20298 | | Gear |

Oil Cooler and Oil Filter



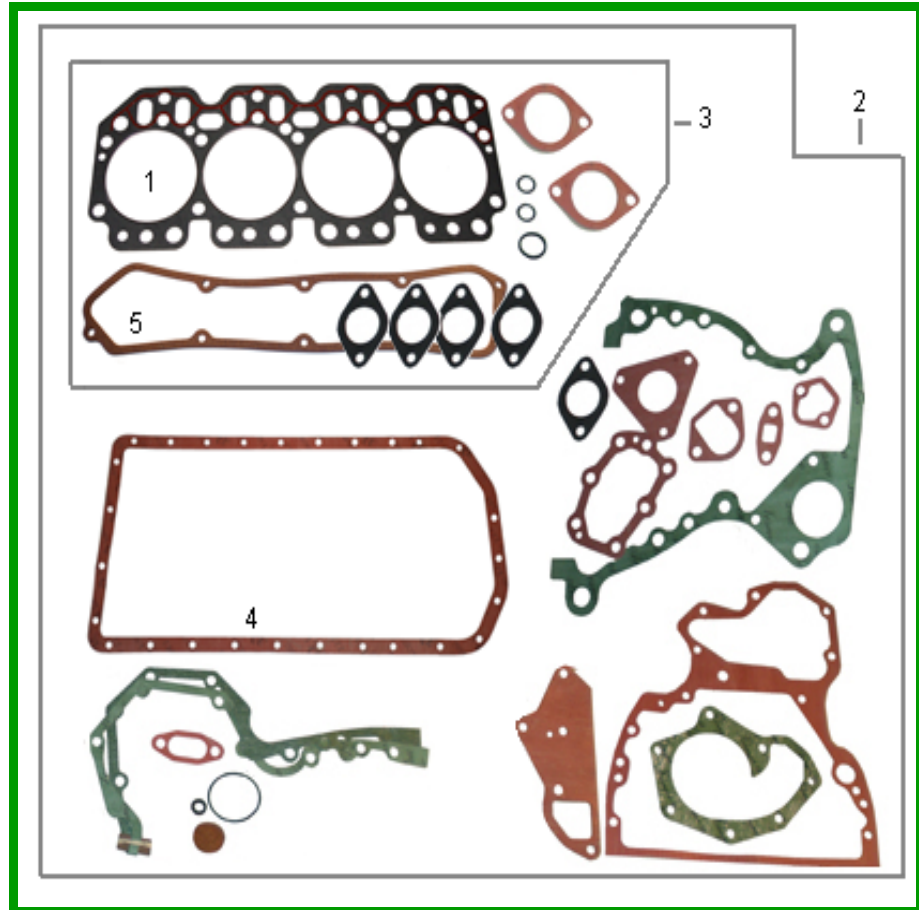
| Key | Ozgur No | OEM No | SUB No | Description |
|-----|----------|----------|----------|-----------------------------|
| 1 | OZ11402 | T23620 | | Cover,Thermostat |
| 2 | OZ11401 | T20317 | | Cover,Thermostat |
| 3 | OZ11410 | R97876 | R70736 | Cover,Thermostat(4239T) |
| 4 | OZ11405 | RE33705 | AT22961 | Thermostat,82c |
| 5 | OZ11411 | AR48675 | RE524562 | Thermostat,82c(4239T) |
| 6 | OT10203 | R70737 | | Hose,Thermostat |
| 6 | OZ11403 | T20277 | | Hose,Thermostat(4239T) |
| 7 | OZ11909 | T19044 | | Oil Filter |
| 8 | OZ11908 | AR78192 | AT21534 | Dipstick |
| 9 | OZ11805 | AT85174 | AR27977 | Switch,Oil |
| 10 | OZ11811 | T20294 | R90788 | Cover,Oil |
| 11 | OZ11813 | AR100124 | AR103811 | Screw |
| 12 | OZ12406 | RE51774 | AL24527 | Switch, Water Temp. |
| 13 | OZ10911 | AL71285 | AT20848 | Oil Cooler |
| 14 | OZ11914 | RE31929 | RE10869 | Oil Cooler,8 Plates (4239T) |
| 15 | OZ10913 | L35845 | T24760 | Hose,Oil Cooler (4239T) |
| 16 | OZ11904 | T22942 | | Hose,Oil Cooler |

Fuel System



| Key | Ozgun No | OEM No | SUB No | Description |
|-----|----------|----------|---------|--------------------------|
| 1 | OZ11613 | RE527115 | DD13483 | Fuel Pump |
| 1A | OZ11612 | AR67543 | AZ27951 | Fuel Pump,Electrial type |
| 2 | OZ11614 | RE526203 | AR60559 | Kit,Fuel Pump |
| 3 | OZ11617 | T30738 | R82131 | Elbow |
| 4 | OZ11615 | AR50041 | | Fuel Filter |
| 5 | OZ11001 | AR89564 | AR89563 | Nozzle |
| 6 | OZ11002 | AT27622 | | Kit |
| 7 | OZ11007 | AR85618 | | Kit |
| 8 | OZ11003 | R60746 | R34764 | Seal |
| 9 | OZ11004 | R48000 | R34767 | Seal |
| 10 | OZ11005 | R34760 | | Clamp |
| 11 | OZ11006 | R68283 | T27465 | Hose |
| 12 | OZ10624 | AR85710 | AT27917 | Gear,Fuel Pump |

Gaskets

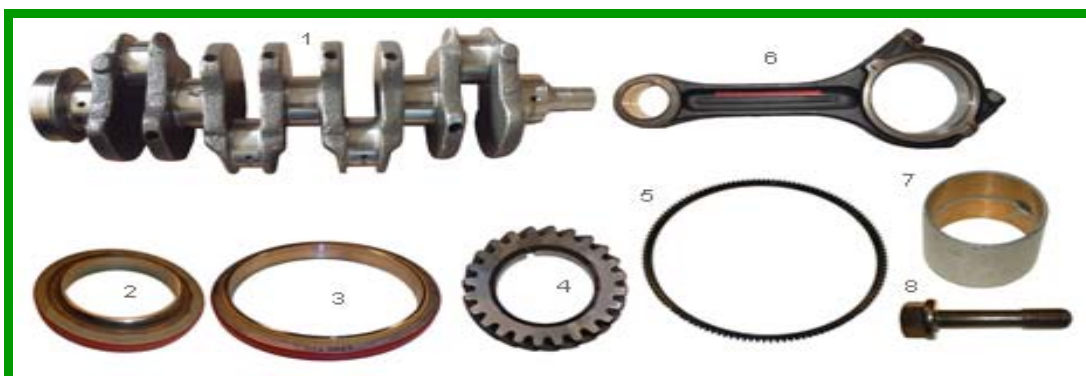


| Key | Ozgur No | OEM No | SUB No | Description |
|-----|----------|----------|------------------|---------------------|
| 1 | OZ11202 | R125863 | R92425 R59448 | Head Gasket |
| 2 | OZ11205 | RE524748 | RE38857 | Full Gasket |
| 3 | OZ11841 | RE526668 | RE38851 | Top Gasket |
| 4 | OZ11214 | R97342 | R49515 | Gasket,Oil Pan |
| 5 | OZ11211 | R73521 | T20075 | Gasket,Rocker Cover |

400 SERIES 4.270 ENGINES

| | |
|--------------------------------------|--|
| ENGINE TYPE / SERIAL / SERIES | 4270D / / 400 |
| CYL / BORE (MM) / PIN (MM) | 4 / 108,00 / 38,00 |
| DETAILS | (block marked R40910,R46350,R46430) piston-liner kit RE23170 |
| AGRICULTURAL | TRACTOR MODEL; 3010 ,3020(<-122999) |
| INDUSTRIAL | BACKHOE LOADER; 500,500A (<-123113) |
| ENGINE TYPE / SERIAL / SERIES | 4270D / / 400 |
| CYL / BORE (MM) / PIN (MM) | 4 / 108,00 / 38,00 |
| DETAILS | (block marked R26160,R32020,R40850) piston-liner kit RE23173 |
| AGRICULTURAL | TRACTOR MODEL; 3010,3020L |
| INDUSTRIAL | BACKHOE LOADER; 500,500A (<-123113) |
| ENGINE TYPE / SERIAL / SERIES | 4270D / / 400 |
| CYL / BORE (MM) / PIN (MM) | 4 / 108,00 / 38,00 |
| DETAILS | (block marked R40700,R48430,R50610,R72127,R40620,R45950) piston-liner kit RE23165 |
| AGRICULTURAL | TRACTOR MODEL; 3020(123000->) 3020E |
| INDUSTRIAL | BACKHOE LOADER; 500A (123114->),500B,500C,510 |

Crankshaft and conrod



| Key | Ozgur No | OEM No | SUB No | Description |
|-----|----------|----------|----------|-----------------------|
| 1 | OT10600 | AR26428 | | Crankshaft (<-122999) |
| 1 | OZ10049 | AR40485 | | Crankshaft (123000->) |
| 2 | OZ10088 | AR49025 | AR48728 | Seal,Front |
| 3 | OZ10078 | RE520036 | RE22764 | Seal,Rear |
| 4 | OZ10081 | R26049 | | Gear,Crankshaft |
| 5 | OZ11814 | R28811 | | Ring Gear |
| 6 | OZ10300 | AR86981 | SE500081 | Connecting Rod |
| 7 | OZ10248 | R30939 | | Bushing,Conrod |
| 8 | OZ10249 | R66452 | | Bolt,Conrod |

Overhaul Kit



| Ozgur No | OEM No | Kit contents | | | Description |
|----------|----------------------|----------------|--------------------|---------------|--|
| OT10656 | RE524333, RG23430 | Part No | Description | Pieces | Overhaul Kit, (Usa With Block:R40910,R46350 or R46430) |
| | | RE23165 | Piston Kit | 4 | |
| | | OZ10034A | Bearing Set,Std | 1 | |
| | | R43883 | Valve,Intake,Std | 4 | |
| | | R43679 | Valve,Exhaust,Std | 6 | |
| | | R30939 | Bushing | 4 | |
| | | AR49025 | Seal,Front | 1 | |
| | | RE520036 | Seal,Rear | 1 | |
| RE524093 | Full Gasket | 1 | | | |
| OT10657 | RE524334, RG23431 | Part No | Description | Pieces | Overhaul Kit, (Usa With Block:R26160,R32020, R40850) |
| | | RE23170 | Piston Kit | 4 | |
| | | OZ10034A | Bearing Set,Std | 1 | |
| | | R43883 | Valve,Intake,Std | 4 | |
| | | R43679 | Valve,Exhaust,Std | 4 | |
| | | R30939 | Bushing | 4 | |
| | | AR49025 | Seal,Front | 1 | |
| | | RE520036 | Seal,Rear | 1 | |
| RE524093 | Full Gasket | 1 | | | |
| OT10658 | RE524338, RG23432 | Part No | Description | Pieces | Overhaul Kit(Usa With:R40700,R47520,R 48430 R50610 or R72127) |
| | | RE23173 | Piston Kit | 4 | |
| | | OZ10034A | Bearing Set,Std | 1 | |
| | | R43883 | Valve,Intake,Std | 4 | |
| | | R43679 | Valve,Exhaust,Std | 4 | |
| | | R30939 | Bushing | 4 | |
| | | AR49025 | Seal,Front | 1 | |
| | | RE520036 | Seal,Rear | 1 | |
| RE524093 | Full Gasket | 1 | | | |

Piston Kit



| Key | Ozgun No | OEM No | SUB No | Description |
|-----|----------|---------|---------|---|
| 1 | OZ10264 | RE23165 | AR68650 | Piston-Liner Kit, (Usa With Block:R40700, R47520,R48430 R50610,R72127), Kit contents: RE23168, AR55630, R40615, AR65507 |
| 1 | OZ10262 | RE23170 | AR84048 | Piston-Liner Kit, (Usa With Block:R40910, R46350 or R46430), Kit contents: RE23172, AR55630, R55851, AR70645 |
| 1 | OZ10263 | RE23173 | AR49052 | Piston-Liner Kit (Usa With:R26160, R32020, R40850), Kit contents: RE23172, AR55630, R32050, AR40155 |
| 2 | OZ10275 | RE23168 | RE40563 | Piston,Block:R40700,R47520,R48430 R50610,R72127 for Re23165 |
| 2A | OZ10274 | RE23172 | RE40566 | Piston,W/Alfini for RE23170,RE23173 |
| 3 | OZ10293 | AR55630 | AR41563 | Ring |
| 4 | OZ10298 | R32050 | AR32195 | Liner for RE23173 Kit |
| 4A | OZ10240 | R40615 | | Liner for RE23165 Kit |
| 4B | OT10617 | R55851 | AR65571 | Liner for RE23170 Kit |
| 5 | OZ10214 | AR65507 | AR68318 | Seal Kit Viton for RE23165 Kit |
| 5 | OT10200 | DD13277 | | Seal Kit Silicon |
| 5A | OZ10292 | AR40155 | | Seal Kit for RE23173 Kit |
| 5A | OT10618 | AR70645 | AR48687 | Seal Kit for RE23170 Kit |

Bearing



| Key | Ozgun No | OEM No | SUB No | Description |
|-----|----------|---------|---------|-----------------------------------|
| 1 | OT10605 | AR49242 | AR27631 | Thrust Main Bearing,Std(<-291426) |
| 1 | OT10606 | AR49238 | AR45219 | Thrust Main Bearing,010(<-291426) |
| 1 | OT10607 | AR49239 | AR27634 | Thrust Main Bearing,020(<-291426) |
| 1 | OT10608 | AR49240 | AR27636 | Thrust Main Bearing,030(<-291426) |
| 2 | OZ10068 | AR77748 | AR72998 | Thrust Main Bearing,Std(291427->) |
| 2 | OZ10069 | AR77750 | AR73272 | Thrust Main Bearing,010(291427->) |
| 2 | OT10609 | AR77751 | AR73273 | Thrust Main Bearing,020(291427->) |
| 2 | OT10610 | AR77752 | AR73274 | Thrust Main Bearing,030(291427->) |
| 3 | OZ10058 | AR74814 | AR46625 | Main Bearing,Std. |
| 3 | OZ10059 | AR74816 | AR46400 | Main Bearing,010 |
| 3 | OT10611 | AR74817 | AR46401 | Main Bearing,020 |
| 3 | OT10612 | AR74818 | AR46402 | Main Bearing,030 |
| 4 | OZ10062 | AR45723 | AR27658 | Con Rod Bearing, Std. |
| 4 | OZ10063 | AR46396 | AR27638 | Con Rod Bearing, 010 |
| 4 | OT10613 | AR46397 | AR27640 | Con Rod Bearing, 020 |
| 4 | OT10614 | AR46398 | AR42642 | Con Rod Bearing, 030 |
| 5 | OZ10070 | AR77747 | AR73275 | Thrust Washer Bearing Std |
| 5 | OZ10071 | AR77753 | AR73276 | Thrust Washer Bearing .007 |

Valve and Camshaft



| Key | Ozgun No | OEM No | SUB No | Description |
|-----|----------|---------|---------|--|
| 1 | OT10621 | R44174 | R32034 | Valve,Intake,Std,((3020(<200999) |
| 1 | OT10622 | R43883 | | Valve,Intake,Std,(3020,(201000->) |
| 1 | OT10623 | R45003 | | Valve,Intake,.003,(3020(201000->) |
| 1 | OT10624 | R45004 | | Valve,Intake,.015,(3020(201000->) |
| 1 | OT10625 | R26124 | | Valve,Intake,Std(3010) |
| 2 | OT10626 | R44175 | R32035 | Valve,Exhaust,Std(3020,(<200999) |
| 2 | OT10627 | R43679 | | Valve,Exhaust,Std,(3020 (201000->) |
| 2 | OT10628 | R43787 | | Valve,Exhaust,.003,(3020 (201000->) |
| 2 | OT10629 | R43788 | | Valve,Exhaust,.015,(3020 (201000->) |
| 2 | OT10630 | R26123 | | Valve,Exhaust,Std(3010) |
| 3 | OZ10430 | R42351 | AR44393 | Camshaft,W/O Gear |
| 4 | OZ10632 | R46903 | R42339 | Bush,Camshaft |
| 5 | OT10634 | R26342 | | Tappet,Usa With :R26160,R32020,R40700,R40350,R40850,R48430 |
| 5 | OT10635 | R52773 | R40906 | Tappet,Usa With :R40910,R40920,R46350, R46350,R47520,R46430 OR R49540 |
| 6 | OZ10413 | T20129 | | Cap |
| 7 | OT10636 | B367R | | Retainer,((3020 (<200999) |
| 7 | OZ10412 | T20077 | | Retainer,(3020 (201000->) |
| 8 | OZ10411 | RE11410 | T20176 | Rototor,(3020 (201000->) |
| 9 | OZ10410 | R26125 | | Spring |
| 10 | OT10642 | R43680 | | Insert,Valve Inlet,Std. |
| 11 | OT10643 | R43681 | | Insert,Valve Exhaust,Std. |
| 12 | OT10006 | R87627 | | O-Ring, for RE11410 |

Fuel System



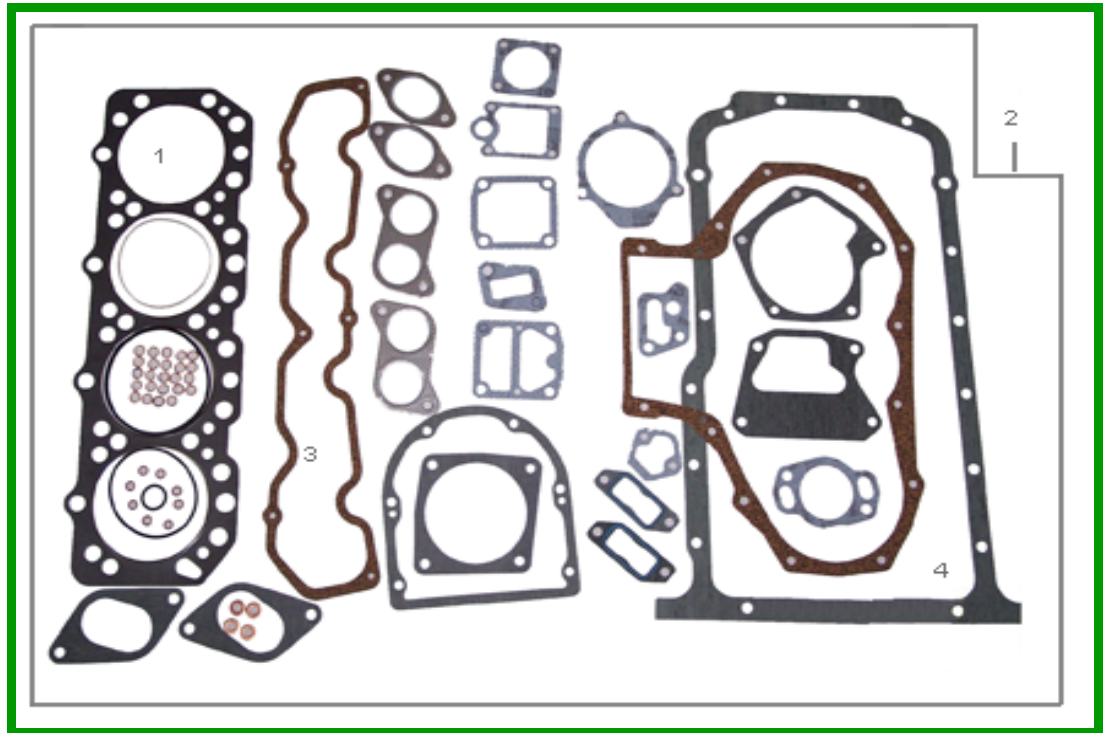
| Key | Ozgun No | OEM No | SUB No | Description |
|-----|----------|----------|---------|--------------------------|
| 1 | OZ11613 | RE527115 | DD13483 | Fuel Pump |
| 1A | OZ11612 | AR67543 | AZ27951 | Fuel Pump,Electrial type |
| 2 | OZ11614 | RE526203 | AR60559 | Kit,Fuel Pump |
| 3 | OZ11617 | T30738 | R82131 | Elbow |
| 4 | OZ11615 | AR50041 | | Fuel Filter |
| 5 | OZ11001 | AR89564 | AR89563 | Nozzle |
| 6 | OZ11002 | AT27622 | | Kit |
| 7 | OZ11007 | AR85618 | | Kit |
| 8 | OZ11003 | R60746 | R34764 | Seal |
| 9 | OZ11004 | R48000 | R34767 | Seal |
| 10 | OZ11005 | R34760 | | Clamp |
| 11 | OZ11006 | R68283 | T27465 | Hose |
| 12 | OZ10624 | AR85710 | AT27917 | Gear,Fuel Pump |

Oil Filter



| Key | Ozgur No | OEM No | SUB No | Description |
|-----|----------|----------|----------|------------------------------|
| 1 | OT10649 | R36846 | R34577 | Thermostat,71C-83C(<-068000) |
| 1 | OT10650 | R36847 | | Thermostat,71C-83C(068000->) |
| 2 | OT10651 | AR26350 | AR28110 | Oil Filter |
| 3 | OZ11805 | AT85174 | AR27977 | Switch,Oil |
| 4 | OZ12406 | RE51774 | AL24527 | Switch, Water Temp. |
| 5 | OZ11813 | AR100124 | AR103811 | Screw |

Gasket



| Key | Ozgur No | OEM No | SUB No | Description |
|-----|----------|---------|--------|-----------------------|
| 1 | OZ11819 | R45616 | | Head Gasket (-122999) |
| 1 | OZ11818 | R48292 | | Head Gasket (123000-) |
| 2 | OT10654 | AR53035 | | Full Gasket (123000-) |
| 2 | OT10655 | AR53033 | | Full Gasket (-122999) |
| 2A | OZ11838 | AR53034 | | Top Gasket (123000-) |
| 2A | OZ11837 | AR53032 | | Top Gasket (-122999) |
| 3 | OZ11842 | R49865 | R26745 | Gasket,Rocker Cover |
| 4 | OZ11825 | R520582 | R71917 | Gasket,Oil Pan |

300 SERIES 4.276D/T ENGINES

| | |
|--------------------------------------|---|
| ENGINE TYPE / SERIAL / SERIES | 4276D / / 300 |
| CYL / BORE (MM) / PIN (MM) | 4 / 106,50 / 35,00 |
| DETAILS | piston AR63342 |
| AGRICULTURAL | TRACTOR MODEL; 2630,2640 |
| INDUSTRIAL | |
| GENERATOR | |
| ENGINE TYPE / SERIAL / SERIES | 4276D / / 300 |
| CYL / BORE (MM) / PIN (MM) | 4 / 106,50 / 41,00 |
| DETAILS | piston AR68188 |
| AGRICULTURAL | |
| INDUSTRIAL | CRAWLER; 450G (Bulldozer <-299999),450ELT (Bulldozer <-299999),455G (Loader<-299999), 550 (Bulldozer <-299999),550B (Bulldozer <-299999),550G (Bulldozer <-299999) |
| GENERATOR | |
| ENGINE TYPE / SERIAL / SERIES | 4276T / / 300 |
| CYL / BORE (MM) / PIN (MM) | 4 / 106,50 / 41,00 |
| DETAILS | piston AR96389 |
| AGRICULTURAL | |
| INDUSTRIAL | BACKHOE LOADER; 510C (<-177225),610B (<-177225),610C LOADER; 344E(<-362468),444E (<-362468) SKIDDER; 440D(<-201306),448D(<-201306), 540B(Early Engine),540D(<-216421), 548D(<-216421) EXCAVATOR; 490D (216422-299999),495D(<-299999),590D(<-299999),595(Early Engine),595D (<-299999) CRAWLER; 450C(Loader, Early Engine),450G(Bulldozer <-299999), 455E(Loader), 455G(Loader <-299999),550(Bulldozer <-299999),555(Loader,Early Engine),550A(Early Engine,Bulldozer), 550G(Bulldozer <-299999),555A(Early Engine,Loader), 555B (Loader),555G (Loader <-299999),650G(Bulldozer <-299999) FELLER BUNCHER; 493D (216422-299999) |
| GENERATOR | |

Crankshaft and compenents



| Key | Ozgur No | OEM No | SUB No | Description |
|-----|----------|---------|---------|---------------------------------|
| 1 | OT10702 | RE56792 | | Crankshaft,short nose, 34.50 MM |
| 1 | OT10703 | RE55452 | RE57661 | Crankshaft,long nose, 60.00 MM |
| 2 | OZ10021 | AR67942 | AT21608 | Seal,Front |
| 3 | OZ10020 | RE44574 | | Seal,Rear |
| 3A | OT10001 | AR92893 | AT22965 | Seal,Rear |
| 4 | OZ10022 | T20046 | | Silinger,Seal Front |
| 5 | OZ10023 | T20094 | | Gear,Crankshaft |
| 6 | OZ11804 | R114282 | T20088 | Ring Gear |
| 7 | OZ10619 | R109863 | T26323 | Pin |
| 8 | OZ10617 | AR91660 | AT18009 | Gear,Cranshaft Idler,Up |
| 9 | OZ10618 | AT24252 | T26322 | Gear,Cranshaft Idler,Low |
| 10 | OZ10622 | T20034 | | Bush,Up |
| 11 | OZ10620 | T26321 | | Bush,Low |

Piston Kit and Connecting rod



| Key | Ozгур No | OEM No | SUB No | Description |
|-----|----------|----------|---------|-------------------------|
| 1 | OZ10265 | RE19831 | AR71596 | Piston-Liner Kit(4276D) |
| 1 | OT10710 | RE19832 | AR71597 | Piston-Liner Kit(4276T) |
| 2 | OT10711 | AR63342 | | Piston,W/Alfini(4276D) |
| 2 | OT10712 | AR96389 | AR66401 | Piston,W/Alfini(4276T) |
| 3 | OZ10208 | RE507852 | RE66820 | Ring |
| 4 | OZ10297 | R121867 | R80500 | Liner |
| 5 | OZ10214 | AR65507 | AR68318 | Seal Kit Viton |
| 5 | OT10200 | DD13277 | | Seal Kit Silicon |
| 6 | OZ10029 | R125754 | R51731 | Pin,Piston(4276D) |
| 6 | OZ10030 | R124230 | R56188 | Pin,Piston (4276T) |
| 7 | OZ10027 | M41029 | | Snap Ring(4276D) |
| 7 | OT10201 | R54114 | | Snap Ring (4276T) |
| 8 | OZ10304 | R57450 | | Bushing,Conrod,4276D |
| 9 | OZ10217 | R57451 | R56186 | Bushing,Conrod(4276T) |
| 10 | OZ10250 | R80033 | | Bolt,Conrod |

Overhaul Kit



| Ozgur No | OEM No | Kit contents | | | Description |
|----------|----------------------------------|----------------|--------------------|---------------|------------------------|
| OZ04276D | RE524997, RE61612, AT86989 | Part No | Description | Pieces | Overhaul Kit, 4276D |
| | | RE19831 | Piston Kit | 4 | |
| | | RE521350 | Thrust Bearing | 1 | |
| | | RE27352 | Main Bearing | 4 | |
| | | AR97517 | Con Rod Bearing | 4 | |
| | | OZ10034 | Bearing Set,Std | 1 | |
| | | R79623 | Valve,Intake,Std | 4 | |
| | | R79624 | Valve,Exhaust,Std | 4 | |
| | | R57450 | Bushing | 4 | |
| | | AR67942 | Seal,Front | 1 | |
| RE44574 | Seal,Rear | 1 | | | |
| RE525071 | Full Gasket | 1 | | | |
| OZ04276T | RE524998, RE61613, AT86990 | Part No | Description | Pieces | Overhaul Kit, 4276T |
| | | RE19832 | Piston Kit | 4 | |
| | | RE521350 | Thrust Bearing | 1 | |
| | | RE27352 | Main Bearing | 4 | |
| | | AR97517 | Con Rod Bearing | 4 | |
| | | OZ10034 | Bearing Set,Std | 1 | |
| | | R89219 | Valve,Intake,Std | 4 | |
| | | R79624 | Valve,Exhaust,Std | 4 | |
| | | R57451 | Bushing | 4 | |
| | | AR67942 | Seal,Front | 1 | |
| RE44574 | Seal,Rear | 1 | | | |
| RE525071 | Full Gasket | 1 | | | |

Bearing



| Key | Ozgun No | OEM No | SUB No | Description |
|-----|----------|----------|---------|-----------------------|
| 1 | OZ10010 | RE521350 | AT21139 | Thrust Bearing,Std |
| 1 | OZ10011 | RE526754 | AT21132 | Thrust Bearing,010 |
| 1 | OZ10012 | RE527235 | AT21134 | Thrust Bearing,020 |
| 1 | OZ10013 | RE527236 | AT21136 | Thrust Bearing,030 |
| 2 | OZ10005 | RE27352 | AT21140 | Main Bearing,Std. |
| 2 | OZ10006 | RE27353 | AT21110 | Main Bearing,010 |
| 2 | OZ10007 | RE27360 | AT21112 | Main Bearing,020 |
| 2 | OZ10008 | RE27368 | AT21114 | Main Bearing,030 |
| 3 | OT10705 | AR97517 | AR69098 | Con Rod Bearing, Std. |
| 3 | OT10706 | AR97653 | AR68414 | Con Rod Bearing, 010 |
| 3 | OT10707 | AR97654 | AR68415 | Con Rod Bearing, 020 |
| 3 | OT10708 | AR97655 | AR68416 | Con Rod Bearing, 030 |

Balancer shaft



| Key | Ozgun No | OEM No | SUB No | Description |
|-----|----------|---------|---------|-------------------------|
| 1 | OZ10637 | RE53082 | AR69710 | Balancer Shaft,Rh |
| 2 | OZ10635 | RE56351 | AR69711 | Balancer Shaft,Lh |
| 3 | OZ10610 | R57160 | R119210 | Bush Std,Balancer Shaft |
| 3 | OZ10621 | R91708 | | Bush 020,Balancer Shaft |
| 4 | OZ10638 | R58007 | | Plate,Balancer Shaft |

Valve and Camshaft



| Key | Ozgun No | OEM No | SUB No | Description |
|-----|----------|----------|---------|-----------------------------------|
| 1 | OZ10401 | R79623 | R52251 | Valve,Intake,Std(4276D) |
| 1 | OZ10402 | R79628 | R57332 | Valve,Intake,003(4276D) |
| 1 | OZ10403 | R79629 | R57334 | Valve,Intake,015(4276D) |
| 1 | OT10500 | R89219 | R51735 | Valve,Intake,Std(<-587413)(4276T) |
| 1 | OT10503 | R83071 | R72611 | Valve,Intake,Std(587414->)(4276T) |
| 1 | OT10504 | R89223 | R88174 | Valve,Intake,003(587414->)(4276T) |
| 1 | OT10505 | R89224 | R88175 | Valve,Intake,015(587414->)(4276T) |
| 2 | OZ10404 | R79624 | R52252 | Valve,Exhaust,Std |
| 2 | OZ10405 | R79625 | R57333 | Valve,Exhaust,003 |
| 2 | OZ10406 | R79626 | R57335 | Valve,Exhaust,015 |
| 3 | OZ10415 | R82820 | AR79623 | Camshaft W/O Gear |
| 4 | OZ10417 | T20070 | | Gear,Camshaft |
| 5 | OT10713 | R83429 | R54799 | Push Rod |
| 6 | OZ10407 | T20073 | | Tappet |
| 7 | OZ10413 | T20129 | | Cap |
| 8 | OZ10412 | T20077 | | Retainer |
| 9 | OZ10411 | RE11410 | T20176 | Rotator |
| 10 | OZ10410 | R26125 | | Spring |
| 11 | OZ10409 | RE508317 | RE31973 | Rock Arm(<-379968) |
| 12 | OZ10418 | RE519736 | R54987 | Shaft |
| 13 | OZ10421 | R123161 | T20315 | Support, Rocker Arm Shaft |
| 14 | OT10005 | R51734 | R97778 | Valve Seat Insert, Intake |
| 15 | OT10004 | R73064 | R97779 | Valve Seat Insert,Exhaust |
| 16 | OT10714 | RE31617 | | Seal,Std |

Oil Pump



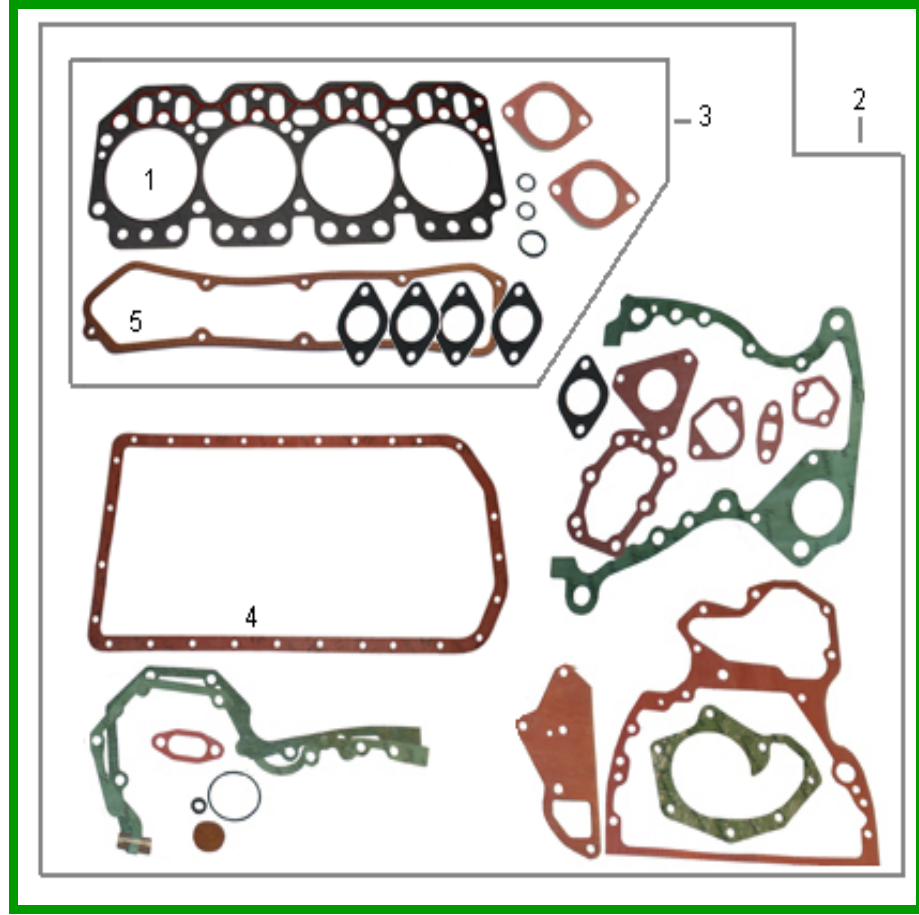
| Key | Ozgun No | OEM No | SUB No | Description |
|-----|----------|---------|---------|-------------------------------------|
| 1 | OT10715 | AR79464 | | Oil Pump Assy 4276D |
| 1 | OZ10628 | RE51497 | AR79465 | Oil Pump Assy With Adapter 4276T |
| 2 | OZ10625 | AR85788 | AR63038 | Shaft Gear,Oil Pump |
| 3 | OZ10626 | R66177 | R54631 | Gear,Oil Pump |
| 4 | OT10716 | AR63037 | | Housing,Oil Pump With Oring 4276D |
| 4 | OZ10630 | RE15490 | | Housing,Oil Pump With Adapter 4276T |
| 5 | OZ10612 | T20298 | | Gear |
| 6 | OZ11411 | AR48675 | | Thermostat |
| 7 | OZ11909 | T19044 | | Oil Filter |

Fuel System



| Key | Ozgur No | OEM No | SUB No | Description |
|-----|----------|----------|---------|--------------------------|
| 1 | OZ11613 | RE527115 | DD13483 | Fuel Pump |
| 1A | OZ11612 | AR67543 | AZ27951 | Fuel Pump,Electrial type |
| 2 | OZ11614 | RE526203 | AR60559 | Kit,Fuel Pump |
| 3 | OZ11617 | T30738 | R82131 | Elbow |
| 4 | OZ11615 | AR50041 | | Fuel Filter |
| 5 | OT10506 | RE37503 | AR90023 | Nozzle |
| 6 | OZ11007 | AR85618 | | Kit |
| 7 | OZ11008 | R79605 | | Seal |
| 8 | OZ11003 | R60746 | R34764 | Seal |
| 9 | OZ11004 | R48000 | R34767 | Seal |
| 10 | OZ11005 | R34760 | | Clamp |
| 11 | OZ11006 | R68283 | T27465 | Hose |
| 12 | OZ10624 | AR85710 | AT27917 | Gear,Fuel Pump |

Gaskets



| Key | Ozgun No | OEM No | SUB No | Description |
|-----|----------|----------|------------------|-----------------------|
| 1 | OZ11202 | R125863 | R92425 R59448 | Head Gasket |
| 2 | OT10719 | RE525071 | AR97176 | Full Gasket(<-325067) |
| 2 | OT10720 | RE524751 | RE501568 | Full Gasket(325068->) |
| 3 | OZ11841 | RE526668 | RE38851 | Top Gasket |
| 4 | OZ11214 | R97342 | R49515 | Gasket,Oil Pan |
| 5 | OZ11211 | R73521 | T20075 | Gasket,Rocker Cover |

300 SERIES 6.303 ENGINES

| | |
|--------------------------------------|--|
| ENGINE TYPE / SERIAL / SERIES | 6303D / <-158975 / 300 |
| CYL / BORE (MM) / PIN (MM) | 6 / 98,00 / 30,00 |
| DETAILS | Orings on liner, AR51902 |
| AGRICULTURAL | TRACTOR MODEL; 3120(<-074999) |
| INDUSTRIAL | |
| ENGINE TYPE / SERIAL / SERIES | 6303D / 158976-> / 300 |
| CYL / BORE (MM) / PIN (MM) | 6 / 98,00 / 30,00 |
| DETAILS | Orings on block, liner T32340 |
| AGRICULTURAL | TRACTOR MODEL; 3120(075000->) |
| INDUSTRIAL | LOADER; 544 (<-121499),544A (<-121499) SKIDDER; 540 (<-119500),540A (<-119500) MOTOR GRADER; 570 (<-200850),570A (<-200850) |

Crankshaft



| Key | Ozgur No | OEM No | SUB No | Description |
|-----|----------|---------|---------|--------------------------|
| 1 | OZ10003 | AT22562 | RE45541 | Crankshaft |
| 2 | OZ10021 | AR67942 | AT21608 | Seal,Front |
| 3 | OZ10020 | RE44574 | | Seal,Rear |
| 3A | OT10001 | AR92893 | AT22965 | Seal,Rear |
| 4 | OZ10022 | T20046 | | Silinger,Seal Front |
| 5 | OZ10023 | T20094 | | Gear,Crankshaft |
| 6 | OZ10050 | R81989 | T30413 | Sleeve |
| 7 | OZ11804 | R114282 | T20088 | Ring Gear |
| 7A | OZ11364 | AR40565 | AR28052 | Flywheel |
| 8 | OZ10617 | AR91660 | AT18009 | Gear,Cranshaft Idler,Up |
| 9 | OZ10618 | AT24252 | T26322 | Gear,Cranshaft Idler,Low |
| 10 | OZ10622 | T20034 | | Bush,Up |
| 11 | OZ10620 | T26321 | | Bush,Low |
| 12 | OZ10633 | R109863 | T26323 | Pin |
| 13 | OT10704 | H35244 | | O-Ring |

Overhaul Kit



| Ozgur No | OEM No | Kit contents | | | Description |
|----------|-------------|----------------|--------------------|---------------|-----------------------------|
| OZ00152 | | Part No | Description | Pieces | Overhaul Kit, (-<154765) |
| | | OZ10251 | Piston Kit | 6 | |
| | | OZ10034 | Bearing Set,Std | 1 | |
| | | R79623 | Valve,Intake,Std | 3 | |
| | | R79624 | Valve,Exhaust,Std | 6 | |
| | | T23471 | Bushing | 3 | |
| | | AR67942 | Seal,Front | 1 | |
| | | RE44574 | Seal,Rear | 1 | |
| RE525003 | Full Gasket | 1 | | | |
| OZ00152L | | Part No | Description | Pieces | Overhaul Kit, (154765->) |
| | | AR71591 | Piston Kit | 6 | |
| | | OZ10034 | Bearing Set,Std | 1 | |
| | | R79623 | Valve,Intake,Std | 6 | |
| | | R79624 | Valve,Exhaust,Std | 6 | |
| | | T23471 | Bushing | 6 | |
| | | AR67942 | Seal,Front | 1 | |
| | | RE44574 | Seal,Rear | 1 | |
| RE525003 | Full Gasket | 1 | | | |

Piston Kit and Connecting rod



Piston Kit and Connecting rod

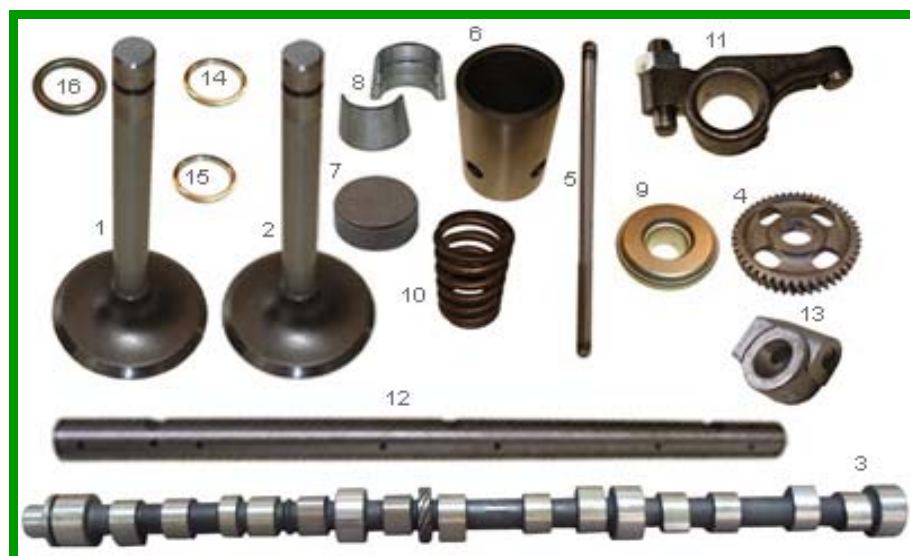
| Key | Ozgur No | OEM No | SUB No | Description |
|-----|----------|---------|---------|--|
| 1 | OZ10251 | | | Piston-Liner Kit(<-154765), (Kit contents:T23481,AR70633, AR51902, OZ10290) |
| 1 | OZ10243 | AR71591 | | Piston-Liner Kit(154765->), (Kit contents:T23481,AR70633, T32340, AR71617) |
| 2 | OZ10227 | T23481 | | Piston |
| 3 | OZ10230 | AR70633 | AR55758 | Ring |
| 4 | OZ10238 | AR51902 | T20085 | Liner(<-154765) |
| 4 | OZ10228 | T32340 | | Liner(154765->) |
| 5 | OZ10290 | | | Seal Kit For AR51902 Liner) , (Kit contents: R48637,2 Pcs, R48638) |
| 5A | OZ10290 | R48637 | | WASHER |
| 5B | OZ10290 | R48638 | | O-RING |
| 5C | OZ10212 | AR71617 | | Seal Kit For T32340 Liner |
| 6 | OT10002 | T23482 | | Pin |
| 7 | OZ10026 | R51112 | M67T | Snap Ring |
| 8 | OZ10244 | RE19733 | AT18005 | Connecting Rod |
| 9 | OZ10215 | T23471 | | Bushing,Conrod |
| 10 | OZ10219 | R74194 | T20009 | Bolt,Conrod |
| 11 | OT10003 | | | Pin Kit |

Bearing



| Key | Ozgun No | OEM No | SUB No | Description |
|-----|----------|----------|---------|--|
| 1 | OZ10010 | RE521350 | AT21139 | Thrust Bearing,Std |
| 1 | OZ10011 | RE526754 | AT21132 | Thrust Bearing,010 |
| 1 | OZ10012 | RE527235 | AT21134 | Thrust Bearing,020 |
| 1 | OZ10013 | RE527236 | AT21136 | Thrust Bearing,030 |
| 1 | OZ10014 | AT21130 | | Thrust Bearing,040 |
| 2 | OZ10005 | RE27352 | AT21140 | Main Bearing,Std. |
| 2 | OZ10006 | RE27353 | AT21110 | Main Bearing,010 |
| 2 | OZ10007 | RE27360 | AT21112 | Main Bearing,020 |
| 2 | OZ10008 | RE27368 | AT21114 | Main Bearing,030 |
| 2 | OZ10009 | AT21108 | | Main Bearing,040 |
| 3 | OZ10015 | RE27348 | AT21138 | Con Rod Bearing, Std. |
| 3 | OZ10016 | RE27349 | AT21124 | Con Rod Bearing, 010 |
| 3 | OZ10017 | RE27358 | AT21126 | Con Rod Bearing, 020 |
| 3 | OZ10018 | RE27364 | AT21128 | Con Rod Bearing, 030 |
| 3 | OZ10019 | AT21122 | | Con Rod Bearing, 040 |
| 4 | OZ10044 | | | Bearing Set,Std. , (Kit contents: RE521350 , RE27352,6 pcs, RE27348,6 pcs) |
| 4 | OZ10045 | | | Bearing Set,010, (Kit contents: RE526754, RE27353,6 pcs, RE27349,6 pcs) |
| 4 | OZ10046 | | | Bearing Set,020 , (Kit contents: RE527235, RE27360,6 pcs, RE27358,6 pcs) |
| 4 | OZ10047 | | | Bearing Set,030 , (Kit contents: RE527236, RE27368,6 pcs, RE27364,6 pcs) |
| 4 | OZ10048 | | | Bearing Set,040 , (Kit contents: AT21130, AT21108,6 pcs, AT21122,6pcs) |

Valve and Camshaft



| Key | Ozgur No | OEM No | SUB No | Description |
|-----|----------|----------|---------|---------------------------|
| 1 | OZ10401 | R79623 | R52251 | Valve,Intake,Std |
| 1 | OZ10402 | R79628 | R57332 | Valve,Intake,003 |
| 1 | OZ10403 | R79629 | R57334 | Valve,Intake,015 |
| 2 | OZ10404 | R79624 | R52252 | Valve,Exhaust,Std |
| 2 | OZ10405 | R79625 | R57333 | Valve,Exhaust,003 |
| 2 | OZ10406 | R79626 | R57335 | Valve,Exhaust,015 |
| 3 | OZ10416 | R82821 | AR79624 | Camshaft,W/O Gear |
| 4 | OZ10417 | T20070 | | Gear,Camshaft |
| 5 | OZ10408 | R82896 | T20310 | Push Rod |
| 6 | OZ10407 | T20073 | | Tappet |
| 7 | OZ10413 | T20129 | | Cap |
| 8 | OZ10412 | T20077 | | Retainer |
| 9 | OZ10411 | RE11410 | T20176 | Rotator |
| 10 | OZ10410 | R26125 | | Spring |
| 11 | OZ10409 | RE508317 | RE31973 | Rocker Arm |
| 12 | OZ10419 | RE519735 | R54985 | Shaft |
| 13 | OZ10421 | R123161 | T20315 | Support, Rocker Arm Shaft |
| 14 | OT10004 | R73064 | R97779 | Insert,Valve Inlet |
| 15 | OT10005 | R51734 | R97778 | Insert,Valve Exhaust |
| 16 | OT10006 | R87627 | | O-Ring, for RE11410 |

Oil Pump



| Key | Ozgun No | OEM No | SUB No | Description |
|-----|----------|---------|---------|---------------------|
| 1 | OZ10601 | RE52020 | RE35685 | Oil Pump Assy |
| 2 | OZ10623 | RE15381 | | Oil Pump |
| 3 | OZ10603 | AR62978 | | Shaft Gear,Oil Pump |
| 4 | OZ10604 | R54614 | | Gear,Oil Pump |
| 5 | OZ10602 | AR62979 | | Housing,Oil Pump |
| 6 | OZ10607 | AR59621 | | Strainer,Oil Pump |
| 7 | OZ10613 | T20050 | | Tube,Oil Pump |
| 8 | OZ10605 | R53382 | | Cover,Oil Pump |
| 9 | OZ10612 | T20298 | | Gear, |

Oil Cooler and Oil Filter



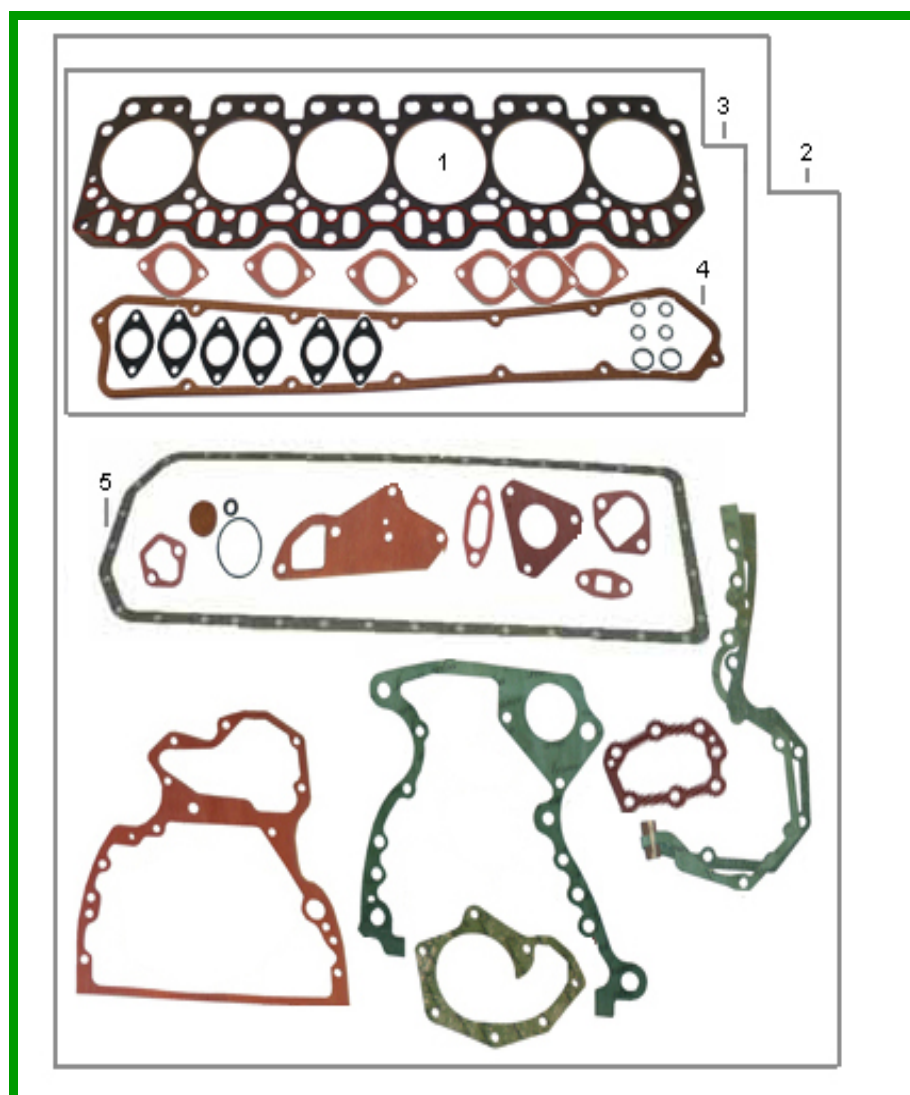
| Key | Ozgur No | OEM No | SUB No | Description |
|-----|----------|----------|----------|---------------------|
| 1 | OZ11407 | AR77411 | AT23908 | Thermostat,82c |
| 2 | OZ11403 | T20277 | | Hose,Thermostat |
| 3 | OZ11909 | T19044 | | Oil Filter |
| 4 | OZ11805 | AT85174 | AR27977 | Switch,Oil |
| 5 | OZ11914 | RE31929 | RE10869 | Oil Cooler,8 Plates |
| 6 | OZ11908 | AR78192 | AT21534 | Dipstick |
| 7 | OZ12406 | RE51774 | AL24527 | Switch, Water Temp. |
| 8 | OZ10913 | L35845 | T24760 | Hose,Oil Cooler |
| 9 | OZ11813 | AR100124 | AR103811 | Screw |
| 10 | OZ11904 | T22942 | | Hose,Oil Cooler |

Fuel System



| Key | Ozgur No | OEM No | SUB No | Description |
|-----|----------|----------|---------|----------------|
| 1 | OZ11613 | RE527115 | DD13483 | Fuel Pump |
| 2 | OZ11614 | RE526203 | AR60559 | Kit,Fuel Pump |
| 3 | OZ11617 | T30738 | R82131 | Elbow |
| 4 | OZ11615 | AR50041 | | Fuel Filter |
| 5 | OZ11001 | AR89564 | AR89563 | Nozzle |
| 6 | OZ11002 | AT27622 | | Kit |
| 7 | OZ11007 | AR85618 | | Kit |
| 8 | OZ11003 | R60746 | R34764 | Seal |
| 9 | OZ11004 | R48000 | R34767 | Seal |
| 10 | OZ11005 | R34760 | | Clamp |
| 11 | OZ11006 | R68283 | T27465 | Hose |
| 12 | OZ10624 | AR85710 | AT27917 | Gear,Fuel Pump |

Gasket Set



| Key | Ozgur No | OEM No | SUB No | Description |
|-----|----------|----------|---------|---------------------|
| 1 | OT10801 | R98462 | R52791 | Head Gasket |
| 2 | OT10802 | RE525003 | AR97197 | Full Gasket |
| 3 | OZ11209 | RE526667 | RE38571 | Top Gasket |
| 4 | OZ11215 | R97344 | T20205 | Gasket,Oil Pan |
| 5 | OZ11212 | R75728 | T20467 | Gasket,Rocker Cover |

300 SERIES 6.329 ENGINES

| | |
|--------------------------------------|--|
| ENGINE TYPE / SERIAL / SERIES | 6329D / <-277548 / 300 |
| CYL / BORE (MM) / PIN (MM) | 6 / 98,00 / 30,00 |
| DETAILS | Oring On Liner,AR51903 |
| AGRICULTURAL | |
| INDUSTRIAL | |
| GENERATOR | |
| ENGINE TYPE / SERIAL / SERIES | 6329D / <-277549 / 300 |
| CYL / BORE (MM) / PIN (MM) | 6 / 102,00 / 30,00 |
| DETAILS | piston-liner kit AR71593 |
| AGRICULTURAL | TRACTOR MODEL; 4030 (<-277549) COMBINE MODELS; 630 |
| INDUSTRIAL | LOADER; 544(121500-166987),544A(121500-166987) SKIDDER; 540(119501->), 540A (119501->) MOTOR GRADER; 570 (200851-275230),570A (200851-275230) |
| GENERATOR | |
| ENGINE TYPE / SERIAL / SERIES | 6329D / 277550-> / 300 |
| CYL / BORE (MM) / PIN (MM) | 6 / 102,00 / 35,00 |
| DETAILS | piston-liner kit AR78041 |
| AGRICULTURAL | TRACTOR MODEL; 2840,3030,3130,4030 (277550->) COMBINE MODELS; 4400,4420,6600(<-304000) COTTON PICKER,STRIPPER; 482,484 (<-276999),9900 |
| INDUSTRIAL | BACKHOE LOADER; 710B (<-143929) LOADER; 444,444C,444CH,444D (<-511476), 544 (166988->),544A (166988->) SKIDDER; 540 (119501->),540A (119501->) MOTOR GRADER; 570 (275231->),570A (275231->) |
| GENERATOR | |

Crankshaft



| Key | Ozgur No | OEM No | SUB No | Description |
|-----|----------|---------|---------|--------------------------|
| 1 | OZ10003 | AT22562 | RE45541 | Crankshaft |
| 2 | OZ10021 | AR67942 | AT21608 | Seal,Front |
| 3 | OZ10020 | RE44574 | | Seal,Rear |
| 3A | OT10001 | AR92893 | AT22965 | Seal,Rear |
| 4 | OZ10022 | T20046 | | Silinger,Seal Front |
| 5 | OZ10023 | T20094 | | Gear,Crankshaft |
| 6 | OZ10050 | R81989 | T30413 | Sleeve |
| 7 | OZ11804 | R114282 | T20088 | Ring Gear |
| 7A | OZ11809 | AR92508 | RE18678 | Flywheel |
| 8 | OZ10617 | AR91660 | AT18009 | Gear,Cranshaft Idler,Up |
| 9 | OZ10618 | AT24252 | T26322 | Gear,Cranshaft Idler,Low |
| 10 | OZ10622 | T20034 | | Bush,Up |
| 11 | OZ10620 | T26321 | | Bush,Low |
| 12 | OZ10633 | R109863 | T26323 | Pin |
| 13 | OT10704 | H35244 | | O-Ring |

Overhaul Kit



Overhaul Kit

| Ozgur No | OEM No | Kit contents | | | Description |
|----------|----------------------|--------------|-------------------|--------|--|
| | | Part No | Description | Pieces | |
| OZ06329 | | OZ10252 | Piston Kit | 6 | Overhaul Kit, (<-154765), O-ring on Liner |
| | | OZ10034 | Bearing Set,Std | 1 | |
| | | R79623 | Valve,Intake,Std | 6 | |
| | | R79624 | Valve,Exhaust,Std | 6 | |
| | | T23471 | Bushing | 6 | |
| | | AR67942 | Seal,Front | 1 | |
| | | RE44574 | Seal,Rear | 1 | |
| RE524749 | Full Gasket | 1 | | | |
| OZ06329E | | Part No | Description | Pieces | Overhaul Kit, (<-154765), O-ring on Block |
| | | AR71593 | Piston Kit | 6 | |
| | | OZ10034 | Bearing Set,Std | 1 | |
| | | R79623 | Valve,Intake,Std | 6 | |
| | | R79624 | Valve,Exhaust,Std | 6 | |
| | | T23471 | Bushing | 6 | |
| | | AR67942 | Seal,Front | 1 | |
| RE44574 | Seal,Rear | 1 | | | |
| RE524749 | Full Gasket | 1 | | | |
| OZ06329L | RE527295, RE61611 | Part No | Description | Pieces | Overhaul Kit, (154765->), Std. Type piston |
| | | AR78041 | Piston Kit | 6 | |
| | | OZ10034 | Bearing Set,Std | 1 | |
| | | R79623 | Valve,Intake,Std | 6 | |
| | | R79624 | Valve,Exhaust,Std | 6 | |
| | | R55647 | Bushing | 3 | |
| | | AR67942 | Seal,Front | 1 | |
| RE44574 | Seal,Rear | 1 | | | |
| RE524749 | Full Gasket | 1 | | | |
| OZ06329H | AT86987 | Part No | Description | Pieces | Overhaul Kit, (154765->), H Type piston |
| | | AR90550 | Piston Kit | 6 | |
| | | OZ10034 | Bearing Set,Std | 1 | |
| | | R79623 | Valve,Intake,Std | 6 | |
| | | R79624 | Valve,Exhaust,Std | 6 | |
| | | R55647 | Bushing | 6 | |
| | | AR67942 | Seal,Front | 1 | |
| RE44574 | Seal,Rear | 1 | | | |
| RE524749 | Full Gasket | 1 | | | |

Piston Kit and Connecting rod



Piston Kit and Connecting rod

| Key | Ozgur No | OEM No | SUB No | Description |
|-----|----------|---------|---------|---|
| 1 | OZ10252 | | | Piston-Liner Kit(<-179601,Oring On Liner), (Kit contents:AR78310,AR55759, AR51903) |
| 1 | OZ10220 | AR71593 | RE19896 | Piston-Liner Kit(<-179601,Oring On) , (Kit contents: AR78310, AR55759, T32343) |
| 1A | OZ10253 | AR78041 | AR71592 | Piston-Liner Kit(179601->,Oring On Block) , (Kit contents: AR77762, AR55759, T32343) |
| 1A | OZ10201 | AR90550 | RE53322 | Piston-Liner Kit H Type , (Kit contents: AR87736, AR55759, T32343) |
| 2 | OZ10203 | AR78310 | T30015 | Piston,W/O Alfini (<-179601) |
| 2A | OZ10204 | AR77762 | AR55984 | Piston,W/Alfini(179602->) |
| 2A | OZ10270 | AR87736 | | Piston,W/O Alfini H Type |
| 3 | OZ10207 | AR55759 | | Ring |
| 4 | OZ10239 | AR51903 | | Liner,Oring On Liner |
| 4A | OZ10210 | T32343 | | Liner,Oring On Block |
| 5 | OZ10291 | | | Seal Kit for AR51903 Liner,(Kit contents: R48637,2 pcs, T32341) |
| 5A | OZ10290 | R48637 | | Washer |
| 5B | OZ11363 | T32341 | | O-Ring |
| 5C | OZ10213 | AR71618 | | Seal Kit Viton for T32343 Liner |
| 5C | OT10100 | DD13276 | | Seal Kit Silicon |
| 6 | OZ10028 | T26149 | | Pin, for AR78310 Piston |
| 6 | OZ10029 | R125754 | R51731 | Pin, for AR77762 Piston |
| 7 | OZ10026 | R51112 | M67T | Snap Ring, for AR78310 Piston |
| 7 | OZ10027 | M41029 | | Snap Ring, for AR77762 Piston |
| 8 | OZ10244 | RE19733 | AT18005 | Connecting Rod, for AR78310 Piston |
| 8 | OZ10218 | RE21076 | RE16495 | Connecting Rod, for AR77762 Piston |
| 9 | OZ10215 | T23471 | | Bushing,Conrod, for AR78310 Piston |
| 9 | OZ10216 | R55647 | R51728 | Bushing,Conrod, for AR77762 Piston |
| 10 | OZ10219 | R74194 | T20009 | Bolt,Conrod, for AT18009 and AR55978 |
| 10 | OZ10250 | R80033 | | Bolt,Conrod, for RE16495,L=59 mm |
| 11 | OT10101 | | | Pin Kit, With T23471 |
| 11 | OT10102 | RE63914 | | Pin Kit, With R55647 |

Valve and Camshaft



| Key | Ozgun No | OEM No | SUB No | Description |
|-----|----------|----------|---------|---------------------------|
| 1 | OZ10401 | R79623 | R52251 | Valve,Intake,Std |
| 1 | OZ10402 | R79628 | R57332 | Valve,Intake,003 |
| 1 | OZ10403 | R79629 | R57334 | Valve,Intake,015 |
| 2 | OZ10404 | R79624 | R52252 | Valve,Exhaust,Std |
| 2 | OZ10405 | R79625 | R57333 | Valve,Exhaust,003 |
| 2 | OZ10406 | R79626 | R57335 | Valve,Exhaust,015 |
| 3 | OZ10416 | R82821 | AR79624 | Camshaft,W/O Gear |
| 4 | OZ10417 | T20070 | | Gear,Camshaft |
| 5 | OZ10408 | R82896 | T20310 | Push Rod |
| 6 | OZ10407 | T20073 | | Tappet |
| 7 | OZ10413 | T20129 | | Cap |
| 8 | OZ10412 | T20077 | | Retainer |
| 9 | OZ10411 | RE11410 | T20176 | Rotator |
| 10 | OZ10410 | R26125 | | Spring |
| 11 | OZ10409 | RE508317 | RE31973 | Rocker Arm |
| 12 | OZ10419 | RE519735 | R54985 | Shaft |
| 13 | OZ10421 | R123161 | T20315 | Support, Rocker Arm Shaft |
| 14 | OT10004 | R73064 | R97779 | Insert,Valve Inlet |
| 15 | OT10005 | R51734 | R97778 | Insert,Valve Exhaust |
| 16 | OT10006 | R87627 | | O-Ring, for RE11410 |

Bearing



| Key | Ozgun No | OEM No | SUB No | Description |
|-----|----------|----------|---------|--|
| 1 | OZ10010 | RE521350 | AT21139 | Thrust Bearing,Std |
| 1 | OZ10011 | RE526754 | AT21132 | Thrust Bearing,010 |
| 1 | OZ10012 | RE527235 | AT21134 | Thrust Bearing,020 |
| 1 | OZ10013 | RE527236 | AT21136 | Thrust Bearing,030 |
| 1 | OZ10014 | AT21130 | | Thrust Bearing,040 |
| 2 | OZ10005 | RE27352 | AT21140 | Main Bearing,Std. |
| 2 | OZ10006 | RE27353 | AT21110 | Main Bearing,010 |
| 2 | OZ10007 | RE27360 | AT21112 | Main Bearing,020 |
| 2 | OZ10008 | RE27368 | AT21114 | Main Bearing,030 |
| 2 | OZ10009 | AT21108 | | Main Bearing,040 |
| 3 | OZ10015 | RE27348 | AT21138 | Con Rod Bearing, Std. |
| 3 | OZ10016 | RE27349 | AT21124 | Con Rod Bearing, 010 |
| 3 | OZ10017 | RE27358 | AT21126 | Con Rod Bearing, 020 |
| 3 | OZ10018 | RE27364 | AT21128 | Con Rod Bearing, 030 |
| 3 | OZ10019 | AT21122 | | Con Rod Bearing, 040 |
| 4 | OZ10044 | | | Bearing Set,Std. , (Kit contents: RE521350 , RE27352,6 pcs, RE27348,6 pcs) |
| 4 | OZ10045 | | | Bearing Set,010, (Kit contents: RE526754, RE27353,6 pcs, RE27349,6 pcs) |
| 4 | OZ10046 | | | Bearing Set,020 , (Kit contents: RE527235, RE27360,6 pcs, RE27358,6 pcs) |
| 4 | OZ10047 | | | Bearing Set,030 , (Kit contents: RE527236, RE27368,6 pcs, RE27364,6 pcs) |
| 4 | OZ10048 | | | Bearing Set,040 , (Kit contents: AT21130, AT21108,6 pcs, AT21122,6pcs) |

Oil Pump



| Key | Ozgur No | OEM No | SUB No | Description |
|-----|----------|---------|---------|---------------------|
| 1 | OZ10601 | RE52020 | RE35685 | Oil Pump Assy |
| 2 | OZ10623 | RE15381 | | Oil Pump |
| 3 | OZ10603 | AR62978 | | Shaft Gear,Oil Pump |
| 4 | OZ10604 | R54614 | | Gear,Oil Pump |
| 5 | OZ10602 | AR62979 | | Housing,Oil Pump |
| 6 | OZ10607 | AR59621 | | Strainer,Oil Pump |
| 7 | OZ10613 | T20050 | | Tube,Oil Pump |
| 8 | OZ10605 | R53382 | | Cover,Oil Pump |
| 9 | OZ10612 | T20298 | | Gear, |

Oil Cooler and Oil Filter



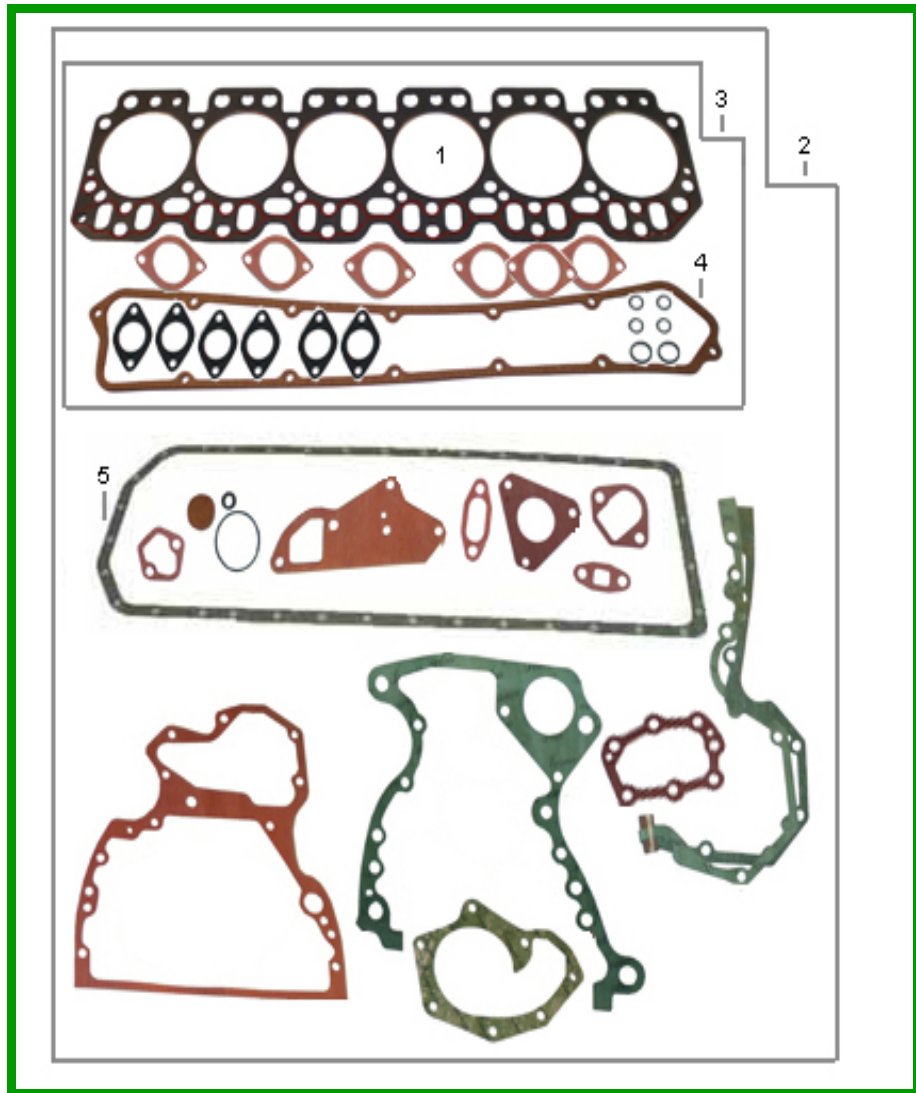
| Key | Ozgur No | OEM No | SUB No | Description |
|-----|----------|----------|----------|---------------------|
| 1 | OZ11407 | AR77411 | AT23908 | Thermostat,82c |
| 2 | OZ11403 | T20277 | | Hose,Thermostat |
| 3 | OZ11909 | T19044 | | Oil Filter |
| 4 | OZ11805 | AT85174 | AR27977 | Switch,Oil |
| 5 | OZ11914 | RE31929 | RE10869 | Oil Cooler,8 Plates |
| 6 | OZ11908 | AR78192 | AT21534 | Dipstick |
| 7 | OZ12406 | RE51774 | AL24527 | Switch, Water Temp. |
| 8 | OZ10913 | L35845 | T24760 | Hose,Oil Cooler |
| 9 | OZ11813 | AR100124 | AR103811 | Screw |
| 10 | OZ11904 | T22942 | | Hose,Oil Cooler |

Fuel System



| Key | Ozgur No | OEM No | SUB No | Description |
|-----|----------|----------|---------|--------------------------|
| 1 | OZ11613 | RE527115 | DD13483 | Fuel Pump |
| 1A | OZ11612 | AR67543 | AZ27951 | Fuel Pump,Electrial type |
| 2 | OZ11614 | RE526203 | AR60559 | Kit,Fuel Pump |
| 3 | OZ11617 | T30738 | R82131 | Elbow |
| 4 | OZ11615 | AR50041 | | Fuel Filter |
| 5 | OZ11001 | AR89564 | AR89563 | Nozzle |
| 6 | OZ11002 | AT27622 | | Kit |
| 7 | OZ11007 | AR85618 | | Kit |
| 8 | OZ11003 | R60746 | R34764 | Seal |
| 9 | OZ11004 | R48000 | R34767 | Seal |
| 10 | OZ11005 | R34760 | | Clamp |
| 11 | OZ11006 | R68283 | T27465 | Hose |
| 12 | OZ10624 | AR85710 | AT27917 | Gear,Fuel Pump |

Gasket Set



| Key | Ozgur No | OEM No | SUB No | Description |
|-----|----------|----------|------------------|---------------------|
| 1 | OZ11203 | R114157 | R92426 R59449 | Head Gasket |
| 2 | OZ11835 | RE524749 | RE38859 | Full Gasket |
| 3 | OZ11209 | RE527283 | RE38852 | Top Gasket |
| 4 | OZ11215 | R97344 | T20205 | Gasket,Oil Pan |
| 5 | OZ11212 | R75728 | T20467 | Gasket,Rocker Cover |

300 SERIES 6.359D/T ENGINES

| | |
|-----------------------------------|--|
| ENGINE TYPE/SERIAL/ SERIES | 6359A / / 300 |
| CYL / BORE (MM) / PIN (MM) | 6 / 106,50 / 41,00 |
| DETAILS | piston RE19278,RE19279 |
| AGRICULTURAL | COMBINE MODELS; 1085 (689245->),9400(<-337245) HARVESTER; 5420 |
| INDUSTRIAL | |
| ENGINE TYPE/SERIAL/ SERIES | 6359D / / 300 |
| CYL / BORE (MM) / PIN (MM) | 6 / 106,50 / 35,00 |
| DETAILS | piston RE19282,RE19283 |
| AGRICULTURAL | TRACTOR MODEL; 2940,2950,2955,3040,3050,3055,3140,3150 (nort american, spain),3155, 3350, 3640, 4530 COMBINE MODELS; 955,1055,1157,4420(nort american),4425,4435 COTTON PICKER,STRIPPER; 484 (277000->),7440,9910,9920 (<-465212) |
| INDUSTRIAL | LOADER; 444D (511477->) MOTOR GRADER; 570B (non turbo <-299999) |
| GENERATOR | |
| ENGINE TYPE/SERIAL/ SERIES | 6359T / / 300 |
| CYL / BORE (MM) / PIN (MM) | 6 / 106,50 / 41,00 |
| DETAILS | piston RE19278,RE19279 |
| AGRICULTURAL | TRACTOR MODEL; 3140C,3255,3640S,3650,4040,4040S, 4050(Dubuque) COMBINEMODELS; 965,965H,968H,975,975HY4,985(<-403755)1065,1065H,1068,1068H,1072,1075, 1158,1165A,1166,1166H4,1169,1169H,1169H4,1174,1174H4,1175 (<-060154), 1175A,1175AH,1177,1177SIIH4,4435HY,6300,7300, 7500 COTTON PICKER,STRIPPER; 7445 (<-299999),9920 (465213->),9930(<-299999) |
| INDUSTRIAL | BACKHOE LOADER; 710B(143930->),710C(<-299999) LOADER; 444D(511477->), 544B (<-299999),544E (<-362468) EXCAVATOR; 490 MOTOR GRADER; 570B (with turbo) |
| GENERATOR | |

Crankshaft



| Key | Ozgur No | OEM No | SUB No | Description |
|-----|----------|---------|---------|--------------------------|
| 1 | OZ10003 | AT22562 | RE45541 | Crankshaft |
| 2 | OZ10021 | AR67942 | AT21608 | Seal,Front |
| 3 | OZ10020 | RE44574 | | Seal,Rear |
| 3A | OT10001 | AR92893 | AT22965 | Seal,Rear |
| 4 | OZ10022 | T20046 | | Silinger,Seal Front |
| 5 | OZ10023 | T20094 | | Gear,Crankshaft |
| 6 | OZ10050 | R81989 | T30413 | Sleeve |
| 7 | OZ11804 | R114282 | T20088 | Ring Gear |
| 7A | OZ11809 | AR92508 | RE18678 | Flywheel |
| 8 | OZ10617 | AR91660 | AT18009 | Gear,Cranshaft Idler,Up |
| 9 | OZ10618 | AT24252 | T26322 | Gear,Cranshaft Idler,Low |
| 10 | OZ10622 | T20034 | | Bush,Up |
| 11 | OZ10620 | T26321 | | Bush,Low |
| 12 | OZ10633 | R109863 | T26323 | Pin |
| 13 | OT10704 | H35244 | | O-Ring |

Overhaul Kit



| Ozgur No | OEM No | Kit contents | | | Description |
|-----------|-------------|----------------|--------------------|---------------|------------------------------------|
| OZ06359D | RE526998 | Part No | Description | Pieces | Overhaul Kit, 6359D, Std.Piston |
| | | RE30250 | Piston Kit | 6 | |
| | | OZ10034 | Bearing Set,Std | 1 | |
| | | R79623 | Valve,Intake,Std | 6 | |
| | | R79624 | Valve,Exhaust,Std | 6 | |
| | | R55647 | Bushing | 6 | |
| | | AR67942 | Seal,Front | 1 | |
| | | RE44574 | Seal,Rear | 1 | |
| RE527022 | Full Gasket | 1 | | | |
| OZ06359DH | | Part No | Description | Pieces | Overhaul Kit, 6359D, H Piston |
| | | RE11510 | Piston Kit | 6 | |
| | | OZ10034 | Bearing Set,Std | 1 | |
| | | R79623 | Valve,Intake,Std | 3 | |
| | | R79624 | Valve,Exhaust,Std | 6 | |
| | | R55647 | Bushing | 6 | |
| | | AR67942 | Seal,Front | 1 | |
| | | RE44574 | Seal,Rear | 1 | |
| RE527022 | Full Gasket | 1 | | | |
| OZ06359T | RE526994 | Part No | Description | Pieces | Overhaul Kit, 6359T, Std.Piston |
| | | RE22678 | Piston Kit | 6 | |
| | | OZ10034 | Bearing Set,Std | 1 | |
| | | R79623 | Valve,Intake,Std | 6 | |
| | | R79624 | Valve,Exhaust,Std | 6 | |
| | | R57451 | Bushing | 6 | |
| | | AR67942 | Seal,Front | 1 | |
| | | RE44574 | Seal,Rear | 1 | |
| RE527022 | Full Gasket | 1 | | | |
| OZ06359TH | | Part No | Description | Pieces | Overhaul Kit, 6359T, H Piston |
| | | RE22681 | Piston Kit | 6 | |
| | | OZ10034 | Bearing Set,Std | 1 | |
| | | R79623 | Valve,Intake,Std | 6 | |
| | | R79624 | Valve,Exhaust,Std | 6 | |
| | | R57451 | Bushing | 6 | |
| | | AR67942 | Seal,Front | 1 | |
| | | RE44574 | Seal,Rear | 1 | |
| RE527022 | Full Gasket | 1 | | | |

Piston Kit and Connecting rod



Piston Kit and Connecting rod

| Key | Ozгур No | OEM No | SUB No | Description |
|-----|----------|----------|---------|---|
| 1 | OZ10245 | RE30250 | RE24458 | Piston-Liner Kit, B Type,(6359D), Kit contents: RE19282, RE507852, R116281, AR65507 |
| 1 | OZ10310 | RE11510 | RE24539 | Piston-Liner Kit H Type, (6359D) , Kit contents: RE19283, RE507852, R116281, AR65507 |
| 1A | OZ10246 | RE22678 | RE33115 | Piston-Liner Kit B Type, (6359T) , Kit contents: RE19278, RE507852, R116281, AR65507 |
| 1A | OZ10254 | RE22681 | RE15597 | Piston-Liner Kit H Type, (6359T) , Kit contents: RE19279, RE507852, R116281, AR65507 |
| 2 | OZ10205 | RE19282 | AR79868 | Piston,W/Alfini for RE30250, (6359D) |
| 2 | OZ10271 | RE19283 | AR87738 | Piston,W/Alfini for RE11510,(6359D) |
| 2A | OZ10206 | RE19278 | AR71067 | Piston,W/Alfini for RE33115,(6359T) |
| 2A | OZ10272 | RE19279 | RE11596 | Piston,W/Alfini for RE22681,(6359T) |
| 3 | OZ10208 | RE507852 | RE66820 | Ring |
| 4 | OZ10211 | R116281 | R51726 | Liner |
| 5 | OZ10214 | AR65507 | AR68318 | Seal Kit Viton |
| 5 | OT10200 | DD13277 | | Seal Kit Silicon |
| 6 | OZ10029 | R125754 | R51731 | Pin,Piston,(6359D) |
| 6A | OZ10030 | R124230 | R56188 | Pin,Piston,(6359T) |
| 7 | OZ10027 | M41029 | | Snap Ring,(6359D) |
| 7A | OT10201 | R54114 | | Snap Ring ,(6359T) |
| 8 | OZ10218 | RE21076 | RE16495 | Connecting Rod ,(6359D) |
| 8A | OZ10303 | RE42733 | RE16494 | Connecting Rod,(6359T) |
| 9 | OZ10216 | R55647 | R51728 | Bushing,Conrod,(6359D) |
| 9A | OZ10217 | R57451 | R56186 | Bushing,Conrod,(6359T) |
| 10 | OZ10219 | R74194 | T20009 | Bolt,Conrod,for AR55978 |
| 10 | OZ10250 | R80033 | | Bolt,Conrod, for RE16495,RE42733,L=59mm |
| 11 | OT10102 | RE63914 | | Pin ,(6359D),Kit contents:R125754, R55647,M41029(2) |
| 11A | OT10202 | RE63913 | | Pin Kit ,(6359T)Kit contents:R124230, R57451, R54114(2) |

Valve and Camshaft



| Key | Ozgun No | OEM No | SUB No | Description |
|-----|----------|----------|---------|---------------------------|
| 1 | OZ10401 | R79623 | R52251 | Valve,Intake,Std |
| 1 | OZ10402 | R79628 | R57332 | Valve,Intake,003 |
| 1 | OZ10403 | R79629 | R57334 | Valve,Intake,015 |
| 2 | OZ10404 | R79624 | R52252 | Valve,Exhaust,Std |
| 2 | OZ10405 | R79625 | R57333 | Valve,Exhaust,003 |
| 2 | OZ10406 | R79626 | R57335 | Valve,Exhaust,015 |
| 3 | OZ10416 | R82821 | AR79624 | Camshaft,W/O Gear |
| 4 | OZ10417 | T20070 | | Gear,Camshaft |
| 5 | OZ10408 | R82896 | T20310 | Push Rod |
| 6 | OZ10407 | T20073 | | Tappet |
| 7 | OZ10413 | T20129 | | Cap |
| 8 | OZ10412 | T20077 | | Retainer |
| 9 | OZ10411 | RE11410 | T20176 | Rotator |
| 10 | OZ10410 | R26125 | | Spring |
| 11 | OZ10409 | RE508317 | RE31973 | Rocker Arm |
| 12 | OZ10419 | RE519735 | R54985 | Shaft |
| 13 | OZ10421 | R123161 | T20315 | Support, Rocker Arm Shaft |
| 14 | OT10004 | R73064 | R97779 | Insert,Valve Inlet |
| 15 | OT10005 | R51734 | R97778 | Insert,Valve Exhaust |
| 16 | OT10006 | R87627 | | O-Ring, for RE11410 |

Bearing



| Key | Ozgur No | OEM No | SUB No | Description |
|-----|----------|----------|---------|--|
| 1 | OZ10010 | RE521350 | AT21139 | Thrust Bearing,Std |
| 1 | OZ10011 | RE526754 | AT21132 | Thrust Bearing,010 |
| 1 | OZ10012 | RE527235 | AT21134 | Thrust Bearing,020 |
| 1 | OZ10013 | RE527236 | AT21136 | Thrust Bearing,030 |
| 1 | OZ10014 | AT21130 | | Thrust Bearing,040 |
| 2 | OZ10005 | RE27352 | AT21140 | Main Bearing,Std. |
| 2 | OZ10006 | RE27353 | AT21110 | Main Bearing,010 |
| 2 | OZ10007 | RE27360 | AT21112 | Main Bearing,020 |
| 2 | OZ10008 | RE27368 | AT21114 | Main Bearing,030 |
| 2 | OZ10009 | AT21108 | | Main Bearing,040 |
| 3 | OZ10015 | RE27348 | AT21138 | Con Rod Bearing, Std. |
| 3 | OZ10016 | RE27349 | AT21124 | Con Rod Bearing, 010 |
| 3 | OZ10017 | RE27358 | AT21126 | Con Rod Bearing, 020 |
| 3 | OZ10018 | RE27364 | AT21128 | Con Rod Bearing, 030 |
| 3 | OZ10019 | AT21122 | | Con Rod Bearing, 040 |
| 4 | OZ10044 | | | Bearing Set,Std. , (Kit contents: RE521350 , RE27352,6 pcs, RE27348,6 pcs) |
| 4 | OZ10045 | | | Bearing Set,010, (Kit contents: RE526754, RE27353,6 pcs, RE27349,6 pcs) |
| 4 | OZ10046 | | | Bearing Set,020 , (Kit contents: RE527235, RE27360,6 pcs, RE27358,6 pcs) |
| 4 | OZ10047 | | | Bearing Set,030 , (Kit contents: RE527236, RE27368,6 pcs, RE27364,6 pcs) |
| 4 | OZ10048 | | | Bearing Set,040 , (Kit contents: AT21130, AT21108,6 pcs, AT21122,6pcs) |

Oil Pump



| Key | Ozgun No | OEM No | SUB No | Description |
|-----|----------|---------|---------|---------------------|
| 1 | OZ10601 | RE52020 | RE35685 | Oil Pump Assy |
| 2 | OZ10623 | RE15381 | | Oil Pump |
| 3 | OZ10603 | AR62978 | | Shaft Gear,Oil Pump |
| 4 | OZ10604 | R54614 | | Gear,Oil Pump |
| 5 | OZ10602 | AR62979 | | Housing,Oil Pump |
| 6 | OZ10607 | AR59621 | | Strainer,Oil Pump |
| 7 | OZ10613 | T20050 | | Tube,Oil Pump |
| 8 | OZ10605 | R53382 | | Cover,Oil Pump |
| 9 | OZ10612 | T20298 | | Gear, |

Oil Cooler and Oil Filter



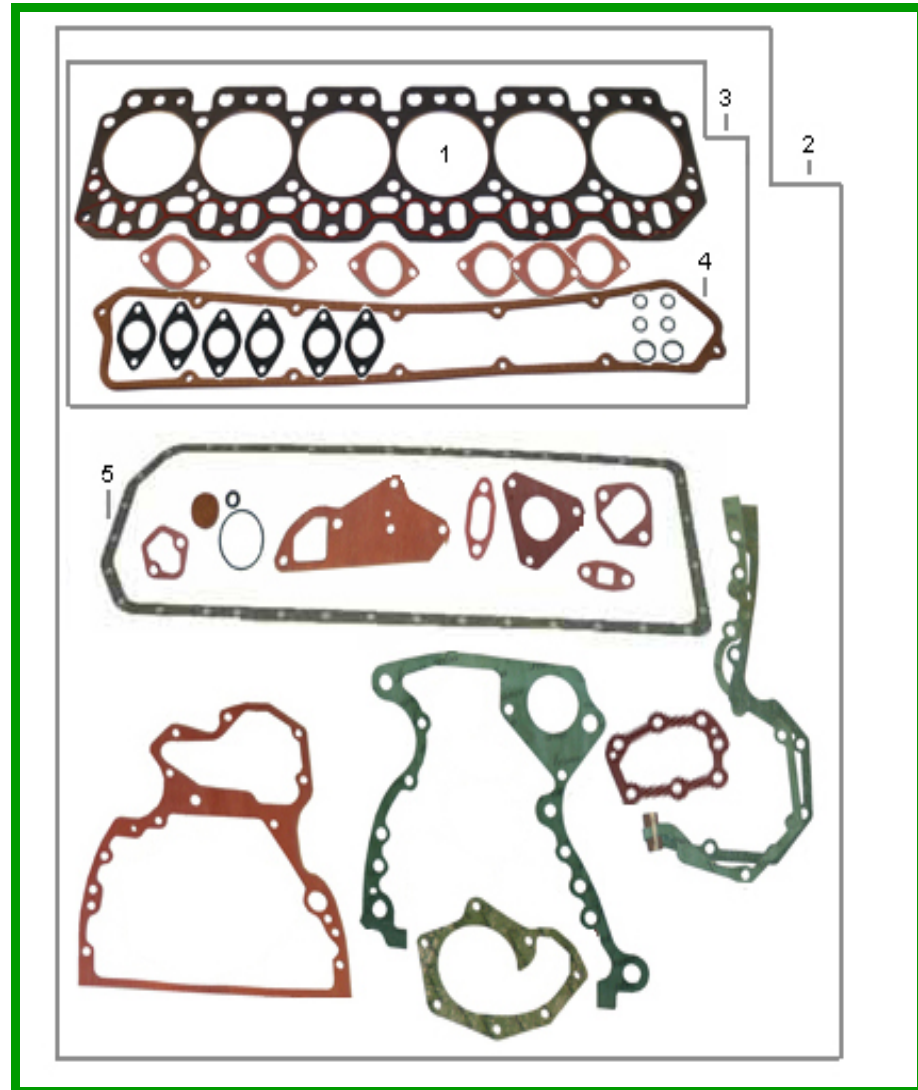
| Key | Ozгур No | OEM No | SUB No | Description |
|-----|----------|----------|----------|---------------------|
| 1 | OZ11407 | AR77411 | AT23908 | Thermostat,82c |
| 2 | OZ11403 | T20277 | | Hose,Thermostat |
| 3 | OZ11909 | T19044 | | Oil Filter |
| 4 | OZ11805 | AT85174 | AR27977 | Switch,Oil |
| 5 | OZ11914 | RE31929 | RE10869 | Oil Cooler,8 Plates |
| 6 | OZ11908 | AR78192 | AT21534 | Dipstick |
| 7 | OZ12406 | RE51774 | AL24527 | Switch, Water Temp. |
| 8 | OZ10913 | L35845 | T24760 | Hose,Oil Cooler |
| 9 | OZ11813 | AR100124 | AR103811 | Screw |
| 10 | OZ11904 | T22942 | | Hose,Oil Cooler |

Fuel System



| Key | Ozgur No | OEM No | SUB No | Description |
|-----|----------|----------|---------|--------------------------|
| 1 | OZ11613 | RE527115 | DD13483 | Fuel Pump |
| 1A | OZ11612 | AR67543 | AZ27951 | Fuel Pump,Electrial type |
| 2 | OZ11614 | RE526203 | AR60559 | Kit,Fuel Pump |
| 3 | OZ11617 | T30738 | R82131 | Elbow |
| 4 | OZ11615 | AR50041 | | Fuel Filter |
| 5 | OZ11001 | AR89564 | AR89563 | Nozzle |
| 6 | OZ11002 | AT27622 | | Kit |
| 7 | OZ11007 | AR85618 | | Kit |
| 8 | OZ11003 | R60746 | R34764 | Seal |
| 9 | OZ11004 | R48000 | R34767 | Seal |
| 10 | OZ11005 | R34760 | | Clamp |
| 11 | OZ11006 | R68283 | T27465 | Hose |
| 12 | OZ10624 | AR85710 | AT27917 | Gear,Fuel Pump |

Gasket Set

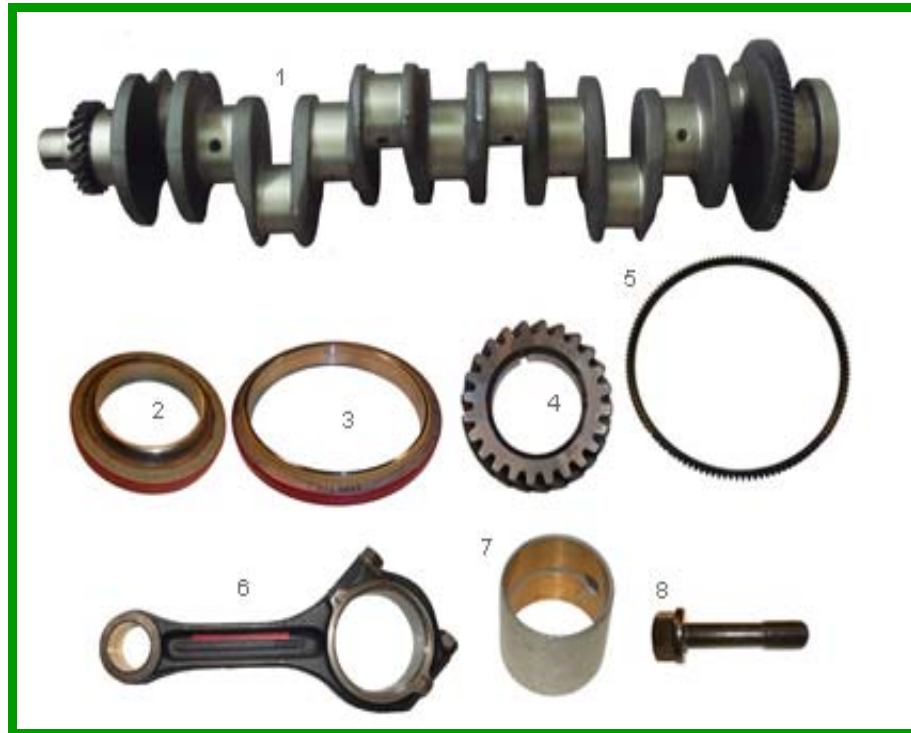


| Key | Ozгур No | OEM No | SUB No | Description |
|-----|----------|----------|------------------|---------------------|
| 1 | OZ11203 | R114157 | R92426 R59449 | Head Gasket |
| 2 | OZ11206 | RE527022 | RE38858 | Full Gasket |
| 3 | OZ11209 | RE527283 | RE38852 | Top Gasket |
| 4 | OZ11215 | R97344 | T20205 | Gasket,Oil Pan |
| 5 | OZ11212 | R75728 | T20467 | Gasket,Rocker Cover |

400 SERIES 6.404D ENGINES

| | |
|--------------------------------------|---|
| ENGINE TYPE / SERIAL / SERIES | 6404D / ←200900 / 400 |
| CYL / BORE (MM) / PIN (MM) | 6 / 108,00 / 38,00 |
| DETAILS | (block marked R26070,R33180,R34340,R40890,R40900,R26160,R32020,R40850,R40930)piston-liner kit RE23173 |
| AGRICULTURAL | TRACTOR MODEL; 4000(←200900),4020(←200900),4010(←200900) |
| INDUSTRIAL | |
| ENGINE TYPE / SERIAL / SERIES | 6404D / 201000→ / 400 |
| CYL / BORE (MM) / PIN (MM) | 6 / 108,00 / 38,00 |
| DETAILS | (block marked R40610,R40620,R45950,R47170,R48440) piston-liner kit RE23165 |
| AGRICULTURAL | TRACTOR MODEL; 4000(201000→),4020(201000→),4010(201000→) |
| INDUSTRIAL | |
| ENGINE TYPE / SERIAL / SERIES | 6404D / 201000→/ 400 |
| CYL / BORE (MM) / PIN (MM) | 6 / 108,00 / 38,00 |
| DETAILS | (block marked R40930,R40910,R46350,R46430)piston-liner kit RE2317 |
| AGRICULTURAL | TRACTOR MODEL; 4010(201000→) |
| INDUSTRIAL | |
| ENGINE TYPE / SERIAL / SERIES | 6404D / / 400 |
| CYL / BORE (MM) / PIN (MM) | 6 / 108,00 / 38,00 |
| DETAILS | (block marked R49650,R59850,R72128,R87558) piston-liner kit RE23160 |
| AGRICULTURAL | TRACTOR MODEL; 4040(us version),4230 COMBINE MODELS; 6600(422365→), 6600SH,7700 |
| INDUSTRIAL | |

Crankshaft and compenents



| Key | Ozgun No | OEM No | SUB No | Description |
|-----|----------|----------|----------|-----------------|
| 1 | OZ10004 | RE53422 | RE42671 | Crankshaft |
| 2 | OZ10088 | AR49025 | AR48728 | Seal,Front |
| 3 | OZ10078 | RE520036 | RE22764 | Seal,Rear |
| 4 | OZ10081 | R26049 | | Gear,Crankshaft |
| 5 | OZ11814 | R28811 | | Ring Gear |
| 6 | OZ10300 | AR86981 | SE500081 | Connecting Rod |
| 7 | OZ10248 | R30939 | | Bushing,Conrod |
| 8 | OZ10249 | R66452 | | Bolt,Conrod |

Overhaul Kit



| Ozgur No | OEM No | Kit contents | | | Description |
|-----------|----------------------|--------------|-----------------------|--------|-------------------------------------|
| | | Part No | Description | Pieces | |
| OZ06404DL | RE524351 RG23640, | RE23165 | Piston Kit | 6 | Overhaul Kit, (With RE23165 Kit) |
| | | AR77748 | Thrust Main Bearing | 6 | |
| | | AR45723 | Con Rod Bearing | 6 | |
| | | AR77747 | Thrust Washer Bearing | 1 | |
| | | R30939 | Bushing | 6 | |
| | | AR49025 | Seal,Front | 1 | |
| | | RE22764 | Seal,Rear | 1 | |
| | | AR53626 | Full Gasket | 1 | |
| OZ06404DM | RE524374, RG27843 | RE23173 | Piston Kit | 6 | Overhaul Kit, (With RE23173 Kit) |
| | | AR77748 | Thrust Main Bearing | 6 | |
| | | AR45723 | Con Rod Bearing | 6 | |
| | | AR77747 | Thrust Washer Bearing | 1 | |
| | | R30939 | Bushing | 6 | |
| | | AR49025 | Seal,Front | 1 | |
| | | RE22764 | Seal,Rear | 1 | |
| | | AR53626 | Full Gasket | 1 | |
| OZ06404DS | RE524339, RG23639 | RE23170 | Piston Kit | 6 | Overhaul Kit, (With RE23170 Kit) |
| | | AR77748 | Thrust Main Bearing | 6 | |
| | | AR45723 | Con Rod Bearing | 6 | |
| | | AR77747 | Thrust Washer Bearing | 1 | |
| | | R30939 | Bushing | 6 | |
| | | AR49025 | Seal,Front | 1 | |
| | | RE22764 | Seal,Rear | 1 | |
| | | AR53626 | Full Gasket | 1 | |
| OZ06404DK | RE525511, RG23429 | RE23160 | Piston Kit | 6 | Overhaul Kit, (With RE23160 Kit) |
| | | AR77748 | Thrust Main Bearing | 6 | |
| | | AR45723 | Con Rod Bearing | 6 | |
| | | AR77747 | Thrust Washer Bearing | 1 | |
| | | R30939 | Bushing | 6 | |
| | | AR49025 | Seal,Front | 1 | |
| | | RE22764 | Seal,Rear | 1 | |
| | | AR63938 | Full Gasket | 1 | |

Piston Kit



| Key | Ozgun No | OEM No | SUB No | Description |
|-----|----------|---------|---------|---|
| 1 | OZ10264 | RE23165 | AR68650 | Piston-Liner Kit, (Block: R40700, R47520, R48430, R50610 OR R72127), Kit contents: RE23168,AR55630, R40615, AR65507 |
| 1 | OZ10262 | RE23170 | | Piston-Liner Kit (Block:R40930,R46350,R46430), Kit contents: RE23172,AR55630, R40615, AR70645 |
| 1 | OZ10263 | RE23173 | | Piston-Liner Kit (Block:R26070 ,R33180,R34340,R40890,R40900), Kit contents: RE23172,AR55630, R32050, AR40155 |
| 1 | OZ10257 | RE23160 | AR65602 | Piston-Liner Kit,4230, Kit contents: RE23163, AR65502, R40615, AR65507 |
| 2 | OZ10275 | RE23168 | | Piston, for RE23165 Kit |
| 2A | OZ10274 | RE23172 | | Piston,W/Alfini for RE23170, RE23173 |
| 2B | OZ10276 | RE23163 | | Piston,for Re23160 Kit |
| 3 | OZ10293 | AR55630 | | Ring, for RE23165,RE23173,RE23170 Kit |
| 3 | OZ10294 | AR65502 | | Ring, for RE23160 Kit |
| 4 | OZ10240 | R40615 | | Liner, for RE23170 ,RE23165,RE23160 Kit |
| 4 | OZ10298 | R32050 | | Liner, for RE23173 Kit |
| 5 | OZ10214 | AR65507 | AR68318 | Seal Kit Viton for RE23160,RE23165 Kit |
| 5 | OT10200 | DD13277 | | Seal Kit Silicon |
| 5 | OZ10292 | AR40155 | | Seal Kit for RE23173 Kit |
| 5 | OT10618 | AR70645 | AR48687 | Seal Kit for RE23170 Kit |
| 6 | OT10619 | R44161 | | Pin,Piston |
| 7 | OT10620 | R26093 | | Snap Ring |

Bearing



| Key | Ozgun No | OEM No | SUB No | Description |
|-----|----------|---------|---------|---|
| 1 | OT10605 | AR49242 | AR27631 | Thrust Bearing,Std(←200999), (Block:R26060,R26070) |
| 1 | OT10606 | AR49238 | AR45219 | Thrust Bearing,010(←200999), (Block:R26060,R26070) |
| 1 | OT10607 | AR49239 | AR27634 | Thrust Bearing,020(←200999), (Block:R26060,R26070) |
| 1 | OT10608 | AR49240 | AR27636 | Thrust Bearing,030(←200999), (Block:R26060,R26070) |
| 2 | OZ10068 | AR77748 | AR72998 | Thrust Main Bearing,Std(201000→), (Block:R40930, R40940,R49550) |
| 2 | OZ10069 | AR77750 | AR73272 | Thrust Main Bearing,010(201000→), (Block:R40930, R40940,R49550) |
| 2 | OT10609 | AR77751 | AR73273 | Thrust Main Bearing,020(201000→), (Block:R40930, R40940,R49550) |
| 2 | OT10610 | AR77752 | AR73274 | Thrust Main Bearing,030(201000→), (Block:R40930, R40940,R49550) |
| 3 | OT11105 | AR49243 | | Main Bearing,Std.(←200999)(Block:R26060, R26070, R33170, R34330, R40860, R40870, R33180, R34340, R40890,R40900) |
| | OT11106 | AR49245 | | Main Bearing,010,(←200999) |
| 3 | OT11107 | AR49246 | | Main Bearing,020,(←200999) |
| 3 | OT11108 | AR49247 | | Main Bearing,030,(←200999) |
| 3A | OZ10058 | AR74814 | AR46625 | Main Bearing,Std. (Block:R40930, R40940, R49550) |
| 3A | OZ10059 | AR74816 | AR46400 | Main Bearing,010, (Block:R40930, R40940, R49550) |
| 3A | OT10611 | AR74817 | AR46401 | Main Bearing,020, (Block:R40930, R40940, R49550) |
| 3A | OT10612 | AR74818 | AR46402 | Main Bearing,030, (Block:R40930, R40940, R49550) |
| 4 | OZ10062 | AR45723 | AR27658 | Con Rod Bearing, Std. |
| 4 | OZ10063 | AR46396 | AR27638 | Con Rod Bearing, 010 |
| 4 | OT10613 | AR46397 | AR27640 | Con Rod Bearing, 020 |
| 4 | OT10614 | AR46398 | AR42642 | Con Rod Bearing, 030 |
| 5 | OZ10070 | AR77747 | AR73275 | Thrust Washer Bearing Std |
| 5 | OZ10071 | AR77753 | AR73276 | Thrust Washer Bearing .007 |

Valve



| Key | Ozgun No | OEM No | SUB No | Description |
|-----|----------|----------|----------|---|
| 1 | OT10625 | R26124 | | Valve,Intake,Std,4010 |
| 1 | OT10621 | R44174 | R32035 | Valve,Intake,Std.(4000, 4020 ←200999)) |
| 1 | OT10622 | R43883 | | Valve,Intake,Std,(4000,4020 (201000→ |
| 1 | OT10623 | R45003 | | Valve,Intake,.003,(4000,4020 (201000→)) |
| 1 | OT10624 | R45004 | | Valve,Intake,.015,(4000,4020 (201000→)) |
| 2 | OT10630 | R26123 | | Valve,Exhaust,Std, 4010 |
| 2 | OT10626 | R44175 | R32034 | Valve,Exhaust,Std, .(4000, 4020 (←2009 9 |
| 2 | OT10627 | R43679 | | Valve,Ex.,Std,(4000,4020 (201000→)) |
| 2 | OT10628 | R43787 | | Valve,Ex.,003,(4000,4020 (201000→)) |
| 2 | OT10629 | R43788 | | Valve,Ex.,015,(4000,4020 (201000→)) |
| 3 | OT11109 | AR32732 | R32425 | Camshaft,W/O Gear (Block: R26070, R33180,R34340,R40890,) |
| 3 | OT11110 | AR49145 | R46428 | Camshaft,W/O Gear(Block:R2606,R40930) |
| 3 | OT11111 | RE15727 | AR100384 | Camshaft,W/O Gear(←335823) |
| 3 | OT11112 | AR100386 | AR84064 | Camshaft,W/O Gear(335824→) |
| 4 | OZ10632 | R46903 | R42339 | Bush,Camshaft |
| 5 | OT10633 | AR26356 | | Push Rod, (Use With R26160, R32020 OR R40850) |
| 5 | OZ10424 | R85027 | AR40680 | Push Rod, (Use With R40910, R40920, R46350, R46430 OR R49540) |
| 6 | OT10635 | R52773 | R40906 | Tappet, (Use With R40910,R40920,R46350,R47520,R46430 OR R49540) |
| 6 | OT10634 | R26342 | R33777 | Tappet, (Use With R26160,R32020,R40700,R40850 R40350 OR R48430) |
| 7 | OZ10413 | T20129 | | Cap |
| 8 | OT10636 | B367R | | Retainer, 4000, (4020 ←200999)) |
| 8 | OZ10412 | T20077 | | Retainer,(4000,4020 (201000→)) |
| 9 | OZ10410 | R26125 | | Spring |
| 10 | OT10643 | R43681 | | Insert,Valve Inlet,Std |
| 11 | OT10642 | R43680 | | Insert,Valve Exhaust,Std |
| 12 | OT11116 | R28654 | | Guide,Valve,4010,(4020←200999)) |

Oil Filter,Oil cooler



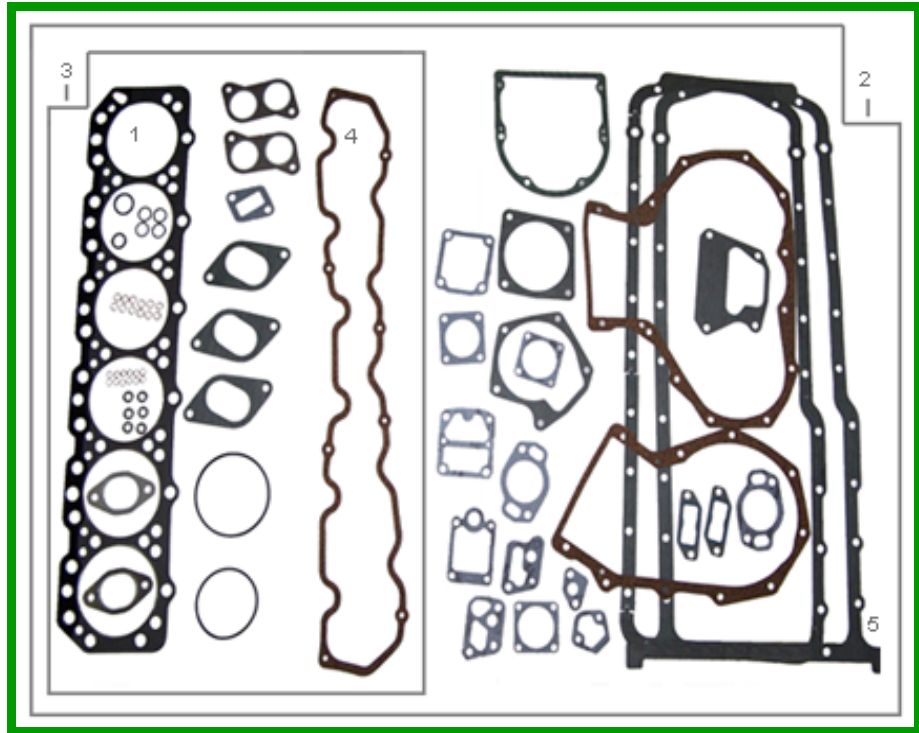
| Key | Ozgur No | OEM No | SUB No | Description |
|-----|----------|----------|----------|--------------------|
| 1 | OT10649 | R36846 | R34577 | Thermostat,82C-94C |
| 2 | OT11123 | AR43634 | AR43261 | Oil Filter |
| 2A | OT10651 | AR26350 | AR28110 | Oil Filter |
| 3 | OT11124 | AR55394 | | Oil Cooler |
| 4 | OZ11805 | AT85174 | AR27977 | Switch,Oil |
| 5 | OZ11813 | AR100124 | AR103811 | Screw |

Fuel System



| Key | Ozgur No | OEM No | SUB No | Description |
|-----|----------|----------|---------|---|
| 1 | OZ11613 | RE527115 | DD13483 | Fuel Pump,4020 |
| 1 | OT11128 | AR57264 | | Fuel Pump,4230 |
| 1 | OZ11613 | RE42211 | | Fuel Pump,4000,4010 |
| 2 | OZ11615 | AR50041 | | Fuel Filter |
| 3 | OT11130 | AR50781 | | Pencil Nozzle Assy,4000,4010,4020(91000→),4230(←499999) |
| 4 | OT11132 | AR79686 | | Nozzle Assy(500000→)for AR73524 Pump;4230 |
| 4 | OT11133 | AR85541 | | Nozzle Assy(500000→)for AR94199 Pump,4230 |
| 5 | OT11135 | AR79685 | | Nozzle,(500000→)for AR73524 Pump,4230 |
| 5 | OT11136 | AR86888 | | Nozzle,(500000→)for AR94199Pump,4230 |

Gaskets

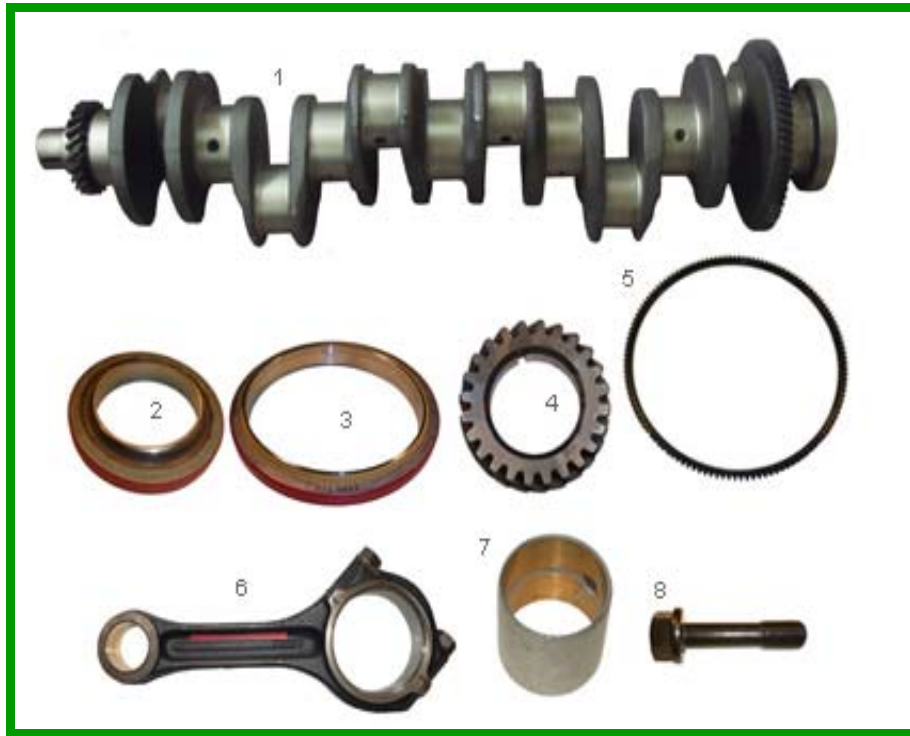


| Key | Ozgun No | OEM No | SUB No | Description |
|-----|----------|---------|----------|--|
| 1 | OT11138 | R45615 | R520550 | Head Gasket,4010,4020,(←200999) |
| 1 | OZ11820 | R48291 | R520534 | Head Gasket,4000,4020,(201000→) |
| 1 | OT11137 | R53438 | R520528 | Head Gasket,4230 |
| 2 | OT11140 | AR53626 | RE524107 | Full Gasket ,4010,4020,(←200999) |
| 2 | OT11141 | AR53631 | RE524099 | Full Gasket ,4000,4020,(201000→) |
| 2 | OT11139 | AR63938 | RE524102 | Full Gasket,4230 |
| 3 | OT11143 | AR53630 | RE524110 | Top Gasket With R48291,4000,4020,(201000→) |
| 3 | OT11144 | AR53625 | RE524101 | Top Gasket,4010,4020,(←200999) |
| 3 | OT11142 | AR63940 | RE524098 | Top Gasket With R53438,4230 |
| 4 | OZ11817 | R49866 | | Gasket,Rocker Cover ,4000,4010,4020,4230 |
| 5 | OZ11826 | R71918 | | Gasket,Oil Pan,4000,4010,4020,4230 |

400 SERIES 6.404T/A ENGINES

| | |
|--------------------------------------|---|
| ENGINE TYPE / SERIAL / SERIES | 6404A / <-335845 / 400 |
| CYL / BORE (MM) / PIN (MM) | 6 / 108,00 / 41,00 |
| DETAILS | (block marked R47020,R47110)piston-liner kit RE69393 |
| AGRICULTURAL | TRACTOR MODEL; 4620,7020(<-335845) |
| INDUSTRIAL | |
| ENGINE TYPE / SERIAL / SERIES | 6404A / 335846-> / 400 |
| CYL / BORE (MM) / PIN (MM) | 6 / 108,00 / 41,00 |
| DETAILS | (block marked R49650,R59850,R49470,R72128,R87558) piston-liner kit AR63272 |
| AGRICULTURAL | TRACTOR MODEL; 4630,7020(335846->) HARVESTER; 5440 |
| INDUSTRIAL | |
| ENGINE TYPE / SERIAL / SERIES | 6404T / <-335845 / 400 |
| CYL / BORE (MM) / PIN (MM) | 6 / 108,00 / 41,00 |
| DETAILS | (block marked R47020,R47110)piston-liner kit RE69393 |
| AGRICULTURAL | TRACTOR MODEL; 4320,4520 HARVESTER; 5200 (<-335845) |
| INDUSTRIAL | LOADER; 644,644A EXCAVATOR; 690,690A COMPACTOR; 646 (<-223644),646B (<-223644) |
| ENGINE TYPE / SERIAL / SERIES | 6404T / 335846-> / 400 |
| CYL / BORE (MM) / PIN (MM) | 6 / 108,00 / 41,00 |
| DETAILS | (block marked R49650,R59850,R49470,R72128,R87558)piston-liner kit AR63272 |
| AGRICULTURAL | TRACTOR MODEL; 4430 COMBINE MODELS; 6600(304001->),6600SH(335846->), 6602H,7700 HARVESTER; 5200 (335846->) |
| INDUSTRIAL | SKIDDER; 740 EXCAVATOR; 690B FELLER BUNCHER; 693B |

Crankshaft and compenents



| Key | Ozgur No | OEM No | SUB No | Description |
|-----|----------|----------|---------|------------------------------|
| 1 | OZ10004 | RE53422 | RE42671 | Crankshaft |
| 2 | OZ10088 | AR49025 | AR48728 | Seal,Front |
| 3 | OZ10078 | RE520036 | RE22764 | Seal,Rear |
| 4 | OZ10081 | R26049 | | Gear,Crankshaft, for AR96189 |
| 4 | OZ10082 | R105488 | | Gear,Crankshaft, for RE53422 |
| 5 | OZ11814 | R28811 | | Ring Gear |
| 6 | OZ10301 | AR86980 | AR70912 | Connecting Rod |
| 7 | OZ10305 | R42173 | | Bushing,Conrod |
| 8 | OZ10249 | R66452 | | Bolt,Conrod |

Overhaul Kit



| Ozgun No | OEM No | Kit contents | | | Description |
|-----------|----------------------|--------------|-----------------------|--------|-------------------------------------|
| | | Part No | Description | Pieces | |
| OZ06404TL | RE524435, RG27926 | RE63393 | Piston Kit | 6 | Overhaul Kit, (With AR51798 Kit) |
| | | AR77748 | Thrust Main Bearing | 6 | |
| | | AR74814 | Main Bearing | 6 | |
| | | AR45723 | Con Rod Bearing | 6 | |
| | | AR77747 | Thrust Washer Bearing | 1 | |
| | | R50358 | Valve, Intake | 6 | |
| | | R50357 | Valve, Exhaust | 6 | |
| | | AR51741 | Bushing | 6 | |
| | | AR49025 | Seal, Front | 1 | |
| | | RE22764 | Seal, Rear | 1 | |
| AR53626 | Full Gasket | 1 | | | |
| OZ06404TM | RE524424, RG27839 | AR63272 | Piston Kit | 6 | Overhaul Kit, (With AR63272 Kit) |
| | | AR77748 | Thrust Main Bearing | 6 | |
| | | AR74814 | Main Bearing | 6 | |
| | | AR45723 | Con Rod Bearing | 6 | |
| | | AR77747 | Thrust Washer Bearing | 1 | |
| | | R50358 | Valve, Intake | 6 | |
| | | R50357 | Valve, Exhaust | 6 | |
| | | AR51741 | Bushing | 6 | |
| | | AR49025 | Seal, Front | 1 | |
| | | RE22764 | Seal, Rear | 1 | |
| AR53626 | Full Gasket | 1 | | | |

Piston Kit



| Key | Ozgur No | OEM No | SUB No | Description |
|-----|----------|---------|---------|---|
| 1 | OZ10255 | RE63393 | AR51798 | Piston-Liner Kit,(Usa With Block:R43310, R45980,R47020 R47110), Kit contents: AR50624, R40615, AR51741, AR65507 |
| 1 | OZ10221 | AR63272 | | Piston-Liner Kit,(Usa With Block:R40910, R46350 or R46430), Kit contents: AR54552, R40615, AR51741, AR65507 |
| 2 | OZ10231 | AR50624 | RE67932 | Piston,(Usa With Block:R43310,R45980,R47020 R47110) |
| 2 | OZ10232 | AR54552 | | Piston,(Usa With Block:R40910,R46350 or R46430) |
| 3 | OZ10209 | AR51741 | | Ring |
| 4 | OZ10240 | R40615 | | Liner |
| 5 | OZ10214 | AR65507 | AR68318 | Seal Kit Viton |
| 5 | OT10200 | DD13277 | | Seal Kit Silicon |
| 6 | OZ10031 | R41425 | | Pin,Piston |
| 7 | OT10201 | R54114 | | Snap Ring |

Bearing



| Key | Ozgur No | OEM No | SUB No | Description |
|-----|----------|---------|---------|---------------------------------|
| 1 | OT11101 | AR65235 | AR48940 | Thrust Bearing,Std (<-Xxx) |
| 1 | OT11102 | AR65237 | AR49233 | Thrust Bearing,010 (<-Xxx) |
| 1 | OT11103 | AR65238 | AR49234 | Thrust Bearing,020 (<-Xxx) |
| 2 | OT11104 | AR65239 | AR49235 | Thrust Bearing,030 (<-Xxx) |
| 2 | OZ10068 | AR77748 | AR72998 | Thrust Main Bearing,Std (Xxx->) |
| 2 | OZ10069 | AR77750 | AR73272 | Thrust Main Bearing,010 (Xxx->) |
| 2 | OT10609 | AR77751 | AR73273 | Thrust Main Bearing,020 (Xxx->) |
| 2 | OT10610 | AR77752 | AR73274 | Thrust Main Bearing,030 (Xxx->) |
| 3 | OZ10058 | AR74814 | AR44625 | Main Bearing,Std. |
| 3 | OZ10059 | AR74816 | AR46400 | Main Bearing,010 |
| 3 | OT10611 | AR74817 | AR46401 | Main Bearing,020 |
| 3 | OT10612 | AR74818 | AR46402 | Main Bearing,030 |
| 4 | OZ10062 | AR45723 | AR27658 | Con Rod Bearing, Std. |
| 4 | OZ10063 | AR46396 | AR27638 | Con Rod Bearing, 010 |
| 4 | OT10613 | AR46397 | AR27640 | Con Rod Bearing, 020 |
| 4 | OT10614 | AR46398 | AR42642 | Con Rod Bearing, 030 |
| 5 | OZ10070 | AR77747 | AR73275 | Thrust Washer Bearing Std |
| 5 | OZ10071 | AR77753 | AR73276 | Thrust Washer Bearing .007 |

Valve



| Key | Ozgun No | OEM No | SUB No | Description |
|-----|----------|----------|---------|---------------------------|
| 1 | OT11200 | R50358 | | Valve,Intake,Std |
| 1 | OT11201 | R55055 | | Valve,Intake,.003 |
| 1 | OT11202 | R55057 | | Valve,Intake,.015 |
| 2 | OT11203 | R50357 | | Valve,Exhaust,Std |
| 2 | OT11204 | R55056 | | Valve,Exhaust,.003 |
| 2 | OT11205 | R55058 | | Valve,Exhaust,.015 |
| 3 | OT11206 | AR100385 | AR79610 | Camshaft,W/O Gear |
| 4 | OZ10632 | R46903 | R42339 | Bush,Camshaft |
| 5 | OZ10424 | R85027 | AR40680 | Push Rod |
| 6 | OT10635 | R52773 | R40906 | Tappet |
| 7 | OZ10413 | T20129 | | Cap |
| 8 | OZ10412 | T20077 | | Retainer |
| 9 | OZ10410 | R26125 | | Spring |
| 10 | OZ10411 | RE11410 | T20176 | Rotator |
| 11 | OT11208 | R78702 | | Insert,Valve Exhaust,Std. |

Oil Filter,Oil cooler



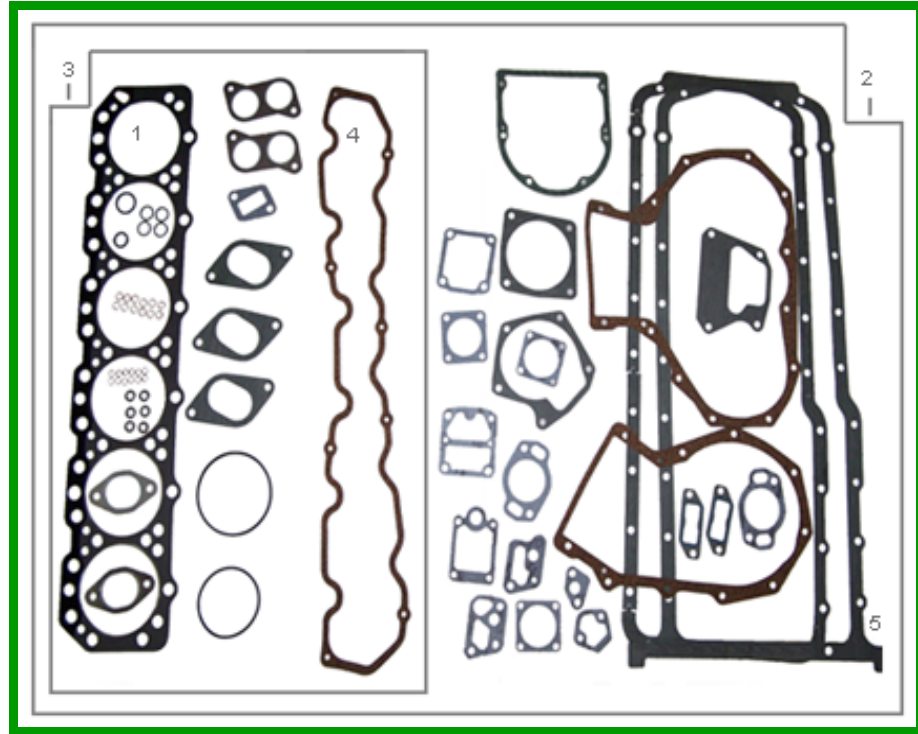
| Key | Ozgur No | OEM No | SUB No | Description |
|-----|----------|----------|----------|--------------------|
| 1 | OZ11411 | AR48675 | RE524562 | Thermostat,71C-83C |
| 2 | OT11123 | AR43634 | AR43261 | Oil Filter |
| 2A | OT10651 | AR26350 | AR28110 | Oil Filter |
| 3 | OT11124 | AR55394 | | Oil Cooler |
| 4 | OZ11805 | AT85174 | AR27977 | Switch,Oil |
| 5 | OZ11813 | AR100124 | AR103811 | Screw |

Fuel System



| Key | Ozgur No | OEM No | SUB No | Description |
|-----|----------|---------|---------|--|
| 1 | OT11213 | AR63831 | | Fuel Pump,4430,4630 |
| 1A | OT11214 | RE43272 | RE36903 | Fuel Pump,4320,4620,7020 |
| 2 | OZ11615 | AR50041 | | Fuel Filter |
| 3 | OT11215 | AR53091 | AR52376 | Nozzle Assy. (4430,4630(←445569)), ,4320,4620,7020 |
| 3 | OT11216 | AR74665 | AR73127 | Nozzle Assy.(4430,4630(445570→)) |
| 4 | OT11217 | R48697 | | Nozzle(←445569), 4320,4620,7020 |
| 4 | OT11218 | AR74668 | | Nozzle(4 X 0.33.(4430,4630(445570→)) |

Gaskets



| Key | Ozgun No | OEM No | SUB No | Description |
|-----|----------|----------|---------|-------------------------------|
| 1 | OZ11820 | R520534 | R48291 | Head Gasket |
| 2 | OZ11833 | RE524182 | AR53094 | Full Gasket,4520,4620 |
| 2 | OT11219 | RE524423 | RG27875 | Full Gasket,4430,4630 |
| 3 | OZ11839 | RE524429 | RG27876 | Top Gasket,4430,4630 |
| 3 | OT11220 | RE524626 | AR53095 | Top Gasket,4520,4620 |
| 4 | OZ11826 | R520583 | R71918 | Gasket,Oil Pan,4520 |
| 4 | OT11221 | R521228 | R49377 | Gasket,Oil Pan,4430,4630 |
| 5 | OT11222 | R520533 | R47394 | Gasket,Rocker Cover,4520,4620 |
| 5 | OZ11817 | R49866 | R32593 | Gasket,Rocker Cover,4430,4630 |

300 SERIES 6.414D/T ENGINES

| | |
|--------------------------------------|--|
| ENGINE TYPE / SERIAL / SERIES | 6414D / / 300 |
| CYL / BORE (MM) / PIN (MM) | 6 / 106,50 / 41,00 |
| DETAILS | piston AR68188 |
| AGRICULTURAL | |
| INDUSTRIAL | CRAWLER; 655 (Crawler Loader) |
| GENERATOR | |
| ENGINE TYPE / SERIAL / SERIES | 6414T / / 300 |
| CYL / BORE (MM) / PIN (MM) | 6 / 106,50 / 41,00 |
| DETAILS | piston AR96389 |
| AGRICULTURAL | |
| INDUSTRIAL | LOADER; 544B (<-299999),544C(early),544D (<-299999),624E (<-362468) SKIDDER; 640(Early Engine),640D (<-200454),648D (<-200454) EXCAVATOR; 690D (<-299999),690DR (<-299999) CRAWLER; 655 (Crawler Loader),655B (Loader <-299999),750 (Bulldozer, Early Engine), 750B (Bulldozer <-299999),755 (Loader,Early Engine),755A(Loader),755B (Loader <-299999) MOTOR GRADER; 670 (Early Engine),670A (Early Engine),670B (<-177303),672A (Early Engine), 672B (<-177303) FELLER BUNCHER; 643 (<-299999),693D (<-299999) |
| GENERATOR | |
| ENGINE TYPE / SERIAL / SERIES | 6414TF / / 300 |
| CYL / BORE (MM) / PIN (MM) | 6 / 106,50 / 41,00 |
| DETAILS | piston RE48469 |
| AGRICULTURAL | |
| INDUSTRIAL | LOADER; 544C(late),544D (300000->),624E (362469->) SKIDDER; 640(Late Engine),640D (200455->),648D (200455->) CRAWLER; 750 (Bulldozer, Late Engine),755 (Loader, Late Engine) MOTOR GRADER; 670 (Late Engine),670A (Late Engine),672A (Late Engine) |

Crankshaft and compenents



| Key | Ozgun No | OEM No | SUB No | Description |
|-----|----------|----------|----------|---------------------------|
| 1 | OZ10053 | RE502191 | RE500340 | Crankshaft Kit, Long Nose |
| 1 | OT11300 | RE45517 | RE33687 | Crankshaft, Long Nose |
| 2 | OZ10021 | AR67942 | AT21608 | Seal,Front |
| 3 | OZ10020 | RE44574 | | Seal,Rear |
| 3A | OT10001 | AR92893 | AT22965 | Seal,Rear |
| 4 | OZ10022 | T20046 | | Silinger,Seal Front |
| 5 | OZ10023 | T20094 | | Gear,Crankshaft |
| 6 | OZ10050 | R81989 | T30413 | Sleeve |
| 7 | OZ11814 | R28811 | | Ring Gear |
| 7 | OT11301 | R90034 | | Ring Gear for RE29449 |
| 8 | OZ10617 | AR91660 | AT18009 | Gear,Cranshaft Idler,Up |
| 9 | OZ10618 | AT24252 | T26322 | Gear,Cranshaft Idler,Low |
| 10 | OZ10622 | T20034 | | Bush,Up |
| 11 | OZ10620 | T26321 | | Bush,Low |
| 12 | OZ10619 | R109863 | T26323 | Pin |
| 13 | OT10704 | H35244 | | O-Ring |

Overhaul Kit



| Ozgur No | OEM No | Kit contents | | | Description |
|-----------|----------------------|--------------|-------------------|--------|----------------------|
| | | Part No | Description | Pieces | |
| OZ06414D | | RE19831 | Piston Kit | 6 | Overhaul Kit, 6414D |
| | | RE521350 | Thrust Bearing | 1 | |
| | | RE27352 | Main Bearing | 6 | |
| | | AR97517 | Con Rod Bearing | 6 | |
| | | OZ10034 | Bearing Set,Std | 1 | |
| | | R79623 | Valve,Intake,Std | 6 | |
| | | R79624 | Valve,Exhaust,Std | 6 | |
| | | R57451 | Bushing | 6 | |
| | | AR67942 | Seal,Front | 1 | |
| | | RE44574 | Seal,Rear | 1 | |
| RE16926 | Full Gasket | 1 | | | |
| OZ06414TF | RE524999, RG27851 | Part No | Description | Pieces | Overhaul Kit, 6414TF |
| | | RE19832 | Piston Kit | 6 | |
| | | RE521350 | Thrust Bearing | 1 | |
| | | RE27352 | Main Bearing | 6 | |
| | | AR97517 | Con Rod Bearing | 6 | |
| | | OZ10034 | Bearing Set,Std | 1 | |
| | | R89219 | Valve,Intake,Std | 6 | |
| | | R79624 | Valve,Exhaust,Std | 6 | |
| | | R57451 | Bushing | 6 | |
| | | AR67942 | Seal,Front | 1 | |
| RE44574 | Seal,Rear | 1 | | | |
| RE524752 | Full Gasket | 1 | | | |
| OZ06414T | RE61614, AT86991 | Part No | Description | Pieces | Overhaul Kit, 6414T |
| | | RE19832 | Piston Kit | 6 | |
| | | RE521350 | Thrust Bearing | 1 | |
| | | RE27352 | Main Bearing | 6 | |
| | | AR97517 | Con Rod Bearing | 6 | |
| | | OZ10034 | Bearing Set,Std | 1 | |
| | | R89219 | Valve,Intake,Std | 6 | |
| | | R79624 | Valve,Exhaust,Std | 6 | |
| | | R57451 | Bushing | 6 | |
| | | AR67942 | Seal,Front | 1 | |
| RE44574 | Seal,Rear | 1 | | | |
| RE524752 | Full Gasket | 1 | | | |

Piston Kit and Connecting rod



| Key | Ozgun No | OEM No | SUB No | Description |
|-----|----------|----------|---------|-----------------------------|
| 1 | OT11302 | RE19833 | AR71598 | Piston-Liner Kit(6414D) |
| 1 | OT11303 | RE53073 | RE28977 | Piston-Liner Kit(6414TF) |
| 1 | OT10710 | RE19832 | AR71597 | Piston-Liner Kit (6414T) |
| 2 | OT11304 | AR68188 | | Piston,W/Alfini for RE19833 |
| 2 | OT10712 | AR96389 | AR66401 | Piston,W/Alfini for RE19832 |
| 2 | OZ10311 | RE48469 | RE28920 | Piston,W/Alfini for RE53073 |
| 3 | OZ10208 | RE507852 | RE66820 | Ring |
| 4 | OZ10297 | R121867 | R80500 | Liner |
| 5 | OZ10214 | AR65507 | AR68318 | Seal Kit Viton |
| 5 | OT10200 | DD13277 | | Seal Kit Silicon |
| 6 | OZ10030 | R124230 | R56188 | Pin,Piston |
| 7 | OT10201 | R54114 | | Snap Ring |
| 8 | OZ10217 | R57451 | R56186 | Bushing,Conrod |
| 9 | OT11306 | R74195 | R56445 | Bolt,Conrod |

Bearing



| Key | Ozgun No | OEM No | SUB No | Description |
|-----|----------|----------|---------|-----------------------|
| 1 | OZ10010 | RE521350 | AT21139 | Thrust Bearing,Std |
| 1 | OZ10011 | RE526754 | AT21132 | Thrust Bearing,010 |
| 1 | OZ10012 | RE527235 | AT21134 | Thrust Bearing,020 |
| 1 | OZ10013 | RE527236 | AT21136 | Thrust Bearing,030 |
| 2 | OZ10005 | RE27352 | AT21140 | Main Bearing,Std. |
| 2 | OZ10006 | RE27353 | AT21110 | Main Bearing,010 |
| 2 | OZ10007 | RE27360 | AT21112 | Main Bearing,020 |
| 2 | OZ10008 | RE27368 | AT21114 | Main Bearing,030 |
| 3 | OT10705 | AR97517 | AR69098 | Con Rod Bearing, Std. |
| 3 | OT10706 | AR97653 | AR68414 | Con Rod Bearing, 010 |
| 3 | OT10707 | AR97654 | AR68415 | Con Rod Bearing, 020 |
| 3 | OT10708 | AR97655 | AR68416 | Con Rod Bearing, 030 |

Oil Pump



| Key | Ozgun No | OEM No | SUB No | Description |
|-----|----------|---------|----------|--|
| 1 | OZ10628 | RE51497 | AR79465 | Oil Pump Assy With Adapter (122431->) |
| 1 | OT11307 | AR79463 | RE65580 | Oil Pump Assy With Oring (<- 122430) |
| 3 | OZ10625 | AR85788 | AR63038 | Shaft Gear,Oil Pump |
| 4 | OZ10626 | R66177 | R54631 | Gear,Oil Pump |
| 4 | OT10716 | AR63037 | | Housing,Oil Pump With Oring (<-122430) |
| 4 | OZ10630 | RE15490 | | Housing,Oil Pump With Adapter (122431->) |
| 5 | OZ10612 | T20298 | | Gear,Oil Pump |
| 6 | OZ11411 | AR48675 | RE524562 | Thermostat,82c |
| 7 | OZ11909 | T19044 | | Oil Filter |

Valve



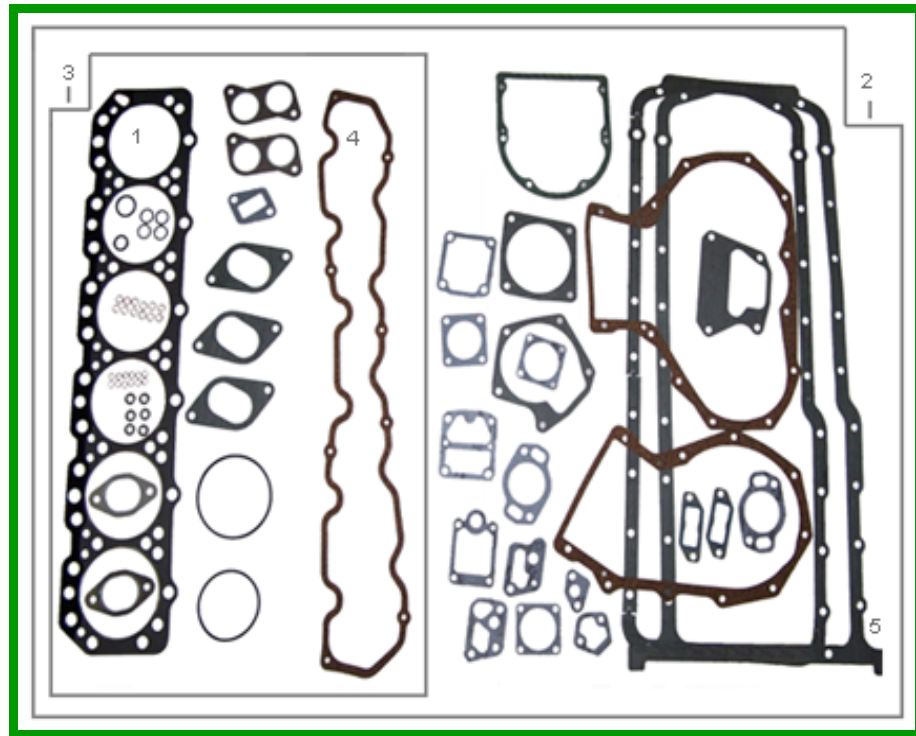
| Key | Ozgur No | OEM No | SUB No | Description |
|-----|----------|----------|---------|------------------------------------|
| 1 | OZ10401 | R79623 | R52251 | Valve,Intake,Std(6414D) |
| 1 | OZ10402 | R79628 | R57332 | Valve,Intake,003(6414D) |
| 1 | OZ10403 | R79629 | R57334 | Valve,Intake,015(6414D) |
| 1 | OT10503 | R83071 | R72611 | Valve,Intake,Std (586176-) (6414T) |
| 1 | OT10500 | R89219 | R51735 | Valve,Intake,Std (-586175) (6414T) |
| 1 | OT10504 | R89223 | R88174 | Valve,Intake,003(6414T) |
| 1 | OT10505 | R89224 | R88175 | Valve,Intake,015(6414T) |
| 2 | OZ10404 | R79624 | R52252 | Valve,Exhaust,Std |
| 2 | OZ10405 | R79625 | R57333 | Valve,Exhaust,003 |
| 2 | OZ10406 | R79626 | R57335 | Valve,Exhaust,015 |
| 3 | OZ10416 | R82821 | AR79624 | Camshaft,W/O Gear |
| 4 | OZ10417 | T20070 | | Gear,Camshaft |
| 5 | OZ10409 | RE508317 | RE31973 | Rocker Arm |
| 6 | OZ10408 | R82896 | T20310 | Push Rod |
| 7 | OZ10407 | T20073 | | Tappet |
| 8 | OZ10413 | T20129 | | Cap |
| 9 | OZ10412 | T20077 | | Retainer |
| 10 | OZ10411 | RE11410 | T20176 | Rotator |
| 11 | OZ10410 | R26125 | | Spring |
| 12 | OT10004 | R73064 | R97779 | Insert,Valve Inlet |
| 13 | OT10005 | R51734 | R97778 | Insert,Valve Exhaust |
| 14 | OT10006 | R87627 | | O-Ring |

Fuel System



| Key | Ozgun No | OEM No | SUB No | Description |
|-----|----------|----------|---------|--------------------------|
| 1 | OZ11613 | RE527115 | DD13483 | Fuel Pump |
| 2 | OZ11614 | RE526203 | AR60559 | Kit,Fuel Pump |
| 3 | OZ11617 | T30738 | R82131 | Elbow |
| 4 | OZ11615 | AR50041 | | Fuel Filter |
| 5 | OT10506 | RE37503 | AR90023 | Nozzle,26993,27336,22264 |
| 6 | OZ11002 | AT27622 | | Kit |
| 7 | OZ11007 | AR85618 | | Kit |
| 8 | OZ11003 | R60746 | R34764 | Seal |
| 9 | OZ11004 | R48000 | R34767 | Seal |
| 10 | OZ11005 | R34760 | | Clamp |
| 11 | OZ11006 | R68283 | T27465 | Hose |
| 12 | OT11309 | R56056 | | Gear,Fuel Pump |

Gaskets



| Key | Ozgun No | OEM No | SUB No | Description |
|-----|----------|----------|------------------|---------------------|
| 1 | OZ11203 | R114157 | R92426 R59449 | Head Gasket |
| 2 | OT11310 | RE16926 | AR102278 | Full Gasket (6414D) |
| 2 | OT11311 | RE524752 | RE501569 | Full Gasket (6414T) |
| 3 | OZ11209 | RE527283 | RE38852 | Top Gasket |
| 4 | OZ11212 | R75728 | T20467 | Gasket,Rocker Cover |
| 5 | OZ11215 | R97344 | T20205 | Gasket,Oil Pan |

400 SERIES 6.466D/T ENGINES

| | |
|-------------------------------|---|
| ENGINE TYPE / SERIAL / SERIES | 6466A / <-233592 / 400 |
| CYL / BORE (MM) / PIN (MM) | 6 / 116,00 / 47,00 |
| DETAILS | piston-liner kit RE60288 |
| AGRICULTURAL | TRACTOR MODEL; 4640 (<-570600),8440,8450 COMBINE MODELS; 1085 (<-041200),1085H4(<-041200),1188(<-233699), 1188H4(<-233699), 6620(227600->),6620SH(227600->),6622,7720,8820 COTTON PICKER,STRIPPER; 9940 (<-239486) HARVESTER; 5720 (<-239486),5730(<-239486) |
| INDUSTRIAL | LOADER; 644C(<-235960) SCRAPER; 762A (<-239486) COMPACTOR; 646C (<-235960),743A (<-263542),762A (<-239486) |
| ENGINE TYPE / SERIAL / SERIES | 6466A / 233593-317858 / 400 |
| CYL / BORE (MM) / PIN (MM) | 6 / 116,00 / 47,00 |
| DETAILS | piston-liner kit RE60284 |
| AGRICULTURAL | TRACTOR MODEL; 4840,4850 COMBINE MODELS; 8820 COTTON PICKER, STRIPPER; 9940(239487->),9950 HARVESTER; 5720(239487->),5730(239487->) |
| INDUSTRIAL | LOADER; 644C(235961->) SCRAPER; 762A (239487-298997),762B (<-298997) FELLER BUNCHER; 693C (<-298997) COMPACTOR; 646C (235961->),743A (263543->),762A (239487-298997) |
| ENGINE TYPE / SERIAL / SERIES | 6466A / 317859-> / 400 |
| CYL / BORE (MM) / PIN (MM) | 6 / 116,00 / 47,00 |
| DETAILS | piston-liner kit RE60282 |
| AGRICULTURAL | TRACTOR MODEL; 4640(570601->),4650 COMBINE MODELS; 1085(041201->), 1085(044386->)1085H4(041200->),1188(233700->), 1188H4(233700->), 1188SIH4,6620(227600->)6620SH(227600->) |
| INDUSTRIAL | LOADER; 644C(235961->),644D EXCAVATOR; 790,792,790D,892DLC MOTOR GRADER; 770B(<-499999),770BH(<-499999) SCRAPER; 762A(298998->),762B (298998->) FELLER BUNCHER; 693C (298998->),793D COMPACTOR; 762A(298998->) |
| ENGINE TYPE / SERIAL / SERIES | 6466D / <-278680 / 400 |
| CYL / BORE (MM) / PIN (MM) | 6 / 116,00 / 41,00 |
| DETAILS | piston-liner kit RE60290 |
| AGRICULTURAL | TRACTOR MODEL; 4240,4240(US Version) COMBINE MODELS; 6620,6620SH |
| GENERATOR | |
| ENGINE TYPE / SERIAL / SERIES | 6466D / 278681-> / 400 |
| CYL / BORE (MM) / PIN (MM) | 6 / 116,00 / 41,00 |
| DETAILS | piston-liner kit RE60292 |
| AGRICULTURAL | TRACTOR MODEL; 4050 COMBINE MODELS; 6620(571101-> short block), 6620SH(571101-> short block) |
| ENGINE TYPE / SERIAL / SERIES | 6466T / <-253372 / 400 |
| CYL / BORE (MM) / PIN (MM) | 6 / 116,00 / 47,00 |
| DETAILS | piston-liner kit RE60288 |
| AGRICULTURAL | TRACTOR MODEL; 4240S(<-252662),4440(european) COMBINE MODELS; 985(403756->),985HY4,6602,6620(571601-> short block),6620(<-227599), 6620SH(<-227599) |
| INDUSTRIAL | SKIDDER; 740A (<-233699) |
| ENGINE TYPE / SERIAL / SERIES | 6466T / 253373-> / 400 |
| CYL / BORE (MM) / PIN (MM) | 6 / 116,00 / 47,00 |
| DETAILS | piston-liner kit RE60282 |
| AGRICULTURAL | TRACTOR MODEL; 4050E,4240S(short block 252663->),4250, 4350,4440(short block 570601->),4450,4520(row crop) COMBINE MODELS; 985(403756->),985HY4, 6620 (<-227599),6620SH, 6620SH (<-227599)6622,6622(571601-> short block), 7720 |
| INDUSTRIAL | SKIDDER; 740A(233700->) EXCAVATOR; 690C,690CR CRAWLER; 850B(Bulldozer) |

Crankshaft and compenents



| Key | Ozgur No | OEM No | SUB No | Description |
|-----|----------|----------|----------|---|
| 1 | OZ10004 | RE53422 | RE42671 | Crankshaft |
| 2 | OZ10088 | AR49025 | AR48728 | Seal,Front |
| 3 | OZ10078 | RE520036 | RE22764 | Seal,Rear |
| 4 | OZ10081 | R26049 | | Gear,Crankshaft, for AR96189 |
| | OZ10082 | R105488 | | Gear,Crankshaft, for RE53422 |
| 5 | OZ11814 | R28811 | | Ring Gear |
| 6 | OZ10301 | AR86980 | AR70912 | Connecting Rod,6466D |
| 6 | OT11406 | AR87638 | AR68790 | Connecting Rod[6466T (<-253372)] [6466A (<-233592)] |
| 6A | OT11407 | AR93341 | SE500498 | Connecting Rod[6466T(253373->)] [6466A(233593->)] |
| 7 | OZ10305 | R42173 | | Bushing,Conrod |
| 7 | OZ10306 | R60724 | | Bushing,Conrod for AR87638 |
| 7A | OZ10307 | R74008 | | Bushing,Conrod for AR93341 |
| 8 | OZ10249 | R66452 | | Bolt,Conrod |

Overhaul Kit



| Ozgur No | OEM No | Kit contents | | | | Description |
|----------|----------------------|--------------|-----------------------|---------|----------------|------------------------------------|
| | | Part No | Description | Part No | Description | |
| OT11431 | RE524400, RG27911 | RE60290 | Piston Kit | R50357 | Valve, Exhaust | Overhaul Kit,(With RE60290 Kit) |
| | | AR77748 | Thrust Main Bearing | AR51741 | Bushing | |
| | | AR74814 | Main Bearing | AR49025 | Seal,Front | |
| | | AR45723 | Con Rod Bearing | RE22764 | Seal,Rear | |
| | | AR77747 | Thrust Washer Bearing | AR53626 | Full Gasket | |
| | | R50358 | Valve,Intake | | | |
| | | | | | | |
| OT11432 | RE524411, RG27910 | RE60288 | Piston Kit | R50357 | Valve, Exhaust | Overhaul Kit,(With RE60288 Kit) |
| | | AR77748 | Thrust Main Bearing | AR51741 | Bushing | |
| | | AR74814 | Main Bearing | AR49025 | Seal,Front | |
| | | AR73277 | Con Rod Bearing | RE22764 | Seal,Rear | |
| | | AR77747 | Thrust Washer Bearing | AR53626 | Full Gasket | |
| | | R50358 | Valve,Intake | | | |
| | | | | | | |
| OT11433 | RE524405, RG2798 | RE60282 | Piston Kit | R50357 | Valve, Exhaust | Overhaul Kit,(With RE60282 Kit) |
| | | AR77748 | Thrust Main Bearing | AR51741 | Bushing | |
| | | AR73277 | Con Rod Bearing | AR49025 | Seal,Front | |
| | | AR77747 | Thrust Washer Bearing | RE22764 | Seal,Rear | |
| | | R50358 | Valve,Intake | AR53626 | Full Gasket | |
| OT11434 | RE524410, RG27909 | RE60284 | Piston Kit | R50357 | Valve, Exhaust | Overhaul Kit,(With RE60284 Kit) |
| | | AR77748 | Thrust Main Bearing | AR51741 | Bushing | |
| | | AR74814 | Main Bearing | AR49025 | Seal,Front | |
| | | AR73277 | Con Rod Bearing | RE22764 | Seal,Rear | |
| | | AR77747 | Thrust Washer Bearing | AR53626 | Full Gasket | |
| | | R50358 | Valve,Intake | | | |
| OT11435 | | RE60292 | Piston Kit | R50357 | Valve, Exhaust | Overhaul Kit,(With RE60292 Kit) |
| | | AR77748 | Thrust Main Bearing | AR51741 | Bushing | |
| | | AR74814 | Main Bearing | AR49025 | Seal,Front | |
| | | AR45723 | Con Rod Bearing | RE22764 | Seal,Rear | |
| | | AR77747 | Thrust Washer Bearing | AR53626 | Full Gasket | |
| | | R50358 | Valve,Intake | | | |

Piston Kit



| Key | Ozgun No | OEM No | SUB No | Description |
|-----|----------|----------|----------|--|
| 1 | OZ10258 | RE60290 | AR83610 | Piston-Liner Kit (6466D <-278680) |
| 1 | OZ10256 | RE60292 | AR98847 | Piston-Liner Kit 6466D 278681->) |
| 1 | OZ10223 | RE60288 | AR72079 | Piston-Liner Kit,[6466T(<-253372)][6466A(<233592)] |
| 1 | OZ10222 | RE60282 | AR100646 | Piston-Liner Kit,[6466T(253373->)] [6466A(317859->)] |
| 1 | OZ10259 | RE60284 | AR100960 | Piston-Liner Kit,(6466A 233593-317858) |
| 2 | OZ10283 | AR64926 | AR85629 | Piston,W/Alfini for RE60290 |
| 2 | OZ10277 | AR100442 | AR100440 | Piston,W/Alfini for RE60292 |
| 2 | OZ10233 | AR93629 | AR63062 | Piston,W/Alfini for RE60288 |
| 2 | OZ10234 | AR100616 | AR98838 | Piston,W/Alfini for RE60282 |
| 2 | OZ10278 | AR100673 | AR100672 | Piston,W/Alfini for RE60284 |
| 3 | OZ10295 | AR87753 | | Ring (6466D) |
| 3 | OZ10224 | RE48380 | AR73627 | Ring (6466T) |
| 4 | OZ10241 | AR63060 | | Liner |
| 5 | OZ10242 | AR98850 | AR73628 | Seal Kit |
| 6 | OZ10031 | R41425 | | Pin,Piston(6466D) |
| 6 | OT11404 | R57771 | | Pin,Piston(6466T/A) |
| 7 | OT10201 | R54114 | | Snap Ring(6466D) |
| 7 | OT11405 | E1343FN | | Snap Ring(6466T/A) |

Bearing



| Key | Ozгур No | OEM No | SUB No | Description |
|-----|----------|---------|---------|--------------------------------|
| 1 | OZ10058 | AR77748 | AR46625 | Thrust Main Bearing,Std. |
| 1 | OZ10059 | AR77750 | AR46400 | Thrust Main Bearing,010 |
| 1 | OT10611 | AR77751 | AR46401 | Thrust Main Bearing,020 |
| 1 | OT10612 | AR77752 | AR46402 | Thrust Main Bearing,030 |
| 2 | OZ10068 | AR74814 | AR72998 | Main Bearing,Std, |
| 2 | OZ10069 | AR74816 | AR73272 | Main Bearing,010 |
| 2 | OT10609 | AR74817 | AR73273 | Main Bearing,020 |
| 2 | OT10610 | AR74818 | AR73274 | Main Bearing,030 |
| 3 | OZ10062 | AR45723 | AR27658 | Con Rod Bearing, Std.(6466D) |
| 3 | OZ10063 | AR46396 | AR27638 | Con Rod Bearing, 010(6466D) |
| 3 | OT10613 | AR46397 | AR27640 | Con Rod Bearing, 020(6466D) |
| 3 | OT10614 | AR46398 | AR42642 | Con Rod Bearing, 030(6466D) |
| 3 | OT11400 | AR73277 | | Con Rod Bearing, Std.(6466T/A) |
| 3 | OT11401 | AR73279 | | Con Rod Bearing, 010(6466T/A) |
| 3 | OT11402 | AR73280 | | Con Rod Bearing, 020(6466T/A) |
| 3 | OT11403 | AR73281 | | Con Rod Bearing, 030(6466T/A) |
| 4 | OZ10070 | AR77747 | AR73275 | Thrust Washer Bearing Std |
| 4 | OZ10071 | AR77753 | AR73276 | Thrust Washer Bearing .007 |

Valve



| Key | Ozgur No | OEM No | SUB No | Description |
|-----|----------|----------|---------|-------------------------------------|
| 1 | OT10622 | R43883 | | Valve,Intake,Std(6466D) |
| 1 | OT10623 | R45003 | | Valve,Intake,.003(6466D) |
| 1 | OT10624 | R45004 | | Valve,Intake,.015(6466D) |
| 1 | OT11200 | R50358 | | Valve,Intake,Std(6466T,A) |
| 1 | OT11201 | R55055 | | Valve,Intake,.003(6466T,A) |
| 1 | OT11202 | R55057 | | Valve,Intake,.015(6466T,A) |
| 2 | OT10627 | R43679 | | Valve,Exhaust,Std(6466D) |
| 2 | OT10628 | R43787 | | Valve,Exhaust,.003(6466D) |
| 2 | OT10629 | R43788 | | Valve,Exhaust,.015(6466D) |
| 2 | OT11203 | R50357 | | Valve,Exhaust,Std(6466T,A) |
| 2 | OT11204 | R55056 | | Valve,Exhaust,.003(6466T,A) |
| 2 | OT11205 | R55058 | | Valve,Exhaust,.015(6466T,A) |
| 3 | OT11112 | AR100386 | AR84064 | Camshaft,W/O Gear(6466D) |
| 3 | OT11206 | AR100385 | AR79610 | Camshaft,W/O Gear(6466T) |
| 4 | OZ10632 | R46903 | R42339 | Bush,Camshaft |
| 5 | OZ10424 | R85027 | AR40680 | Push Rod |
| 6 | OT10635 | R52773 | R40906 | Tappet |
| 7 | OZ10413 | T20129 | | Cap |
| 8 | OZ10412 | T20077 | | Retainer |
| 9 | OZ10410 | R26125 | | Spring |
| 10 | OZ10411 | RE11410 | T20176 | Rotator |
| 11 | OT10642 | R43680 | | Insert,Valve Intake Std (6466D) |
| 11 | OT10643 | R43681 | | Insert,Valve Exhaust Std (6466D) |
| 11 | OT11208 | R78702 | | Insert,Valve Exhaust,Std. (6466T,A) |

Oil pump and Oil Cooler



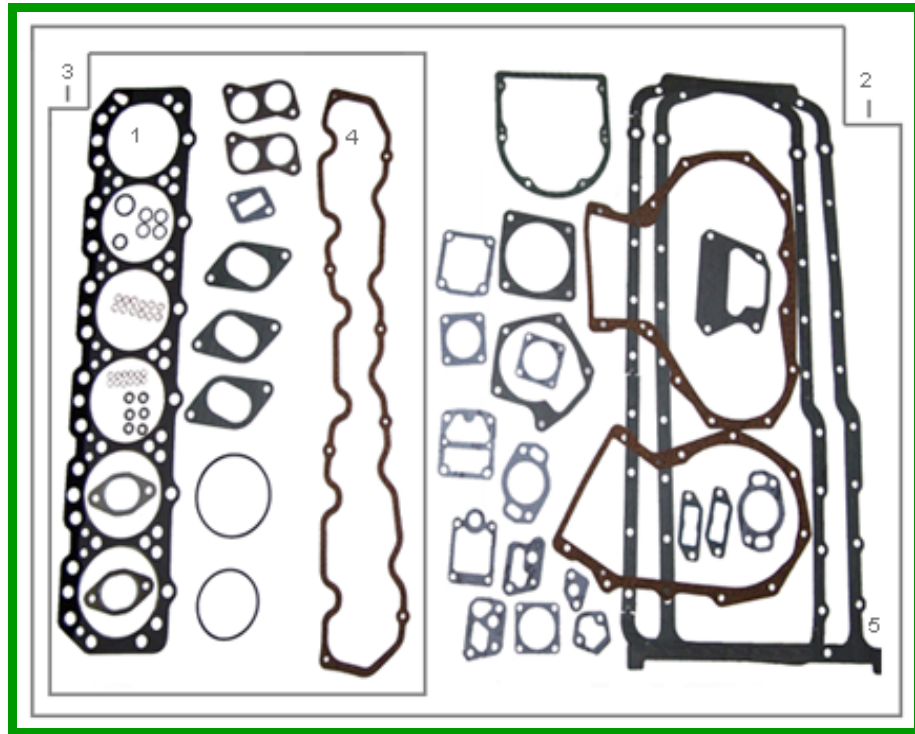
| Key | Ozgun No | OEM No | SUB No | Description |
|-----|----------|---------|----------|---|
| 1 | OZ10641 | RE60622 | RE507076 | Oil Pump Assy (6466D,T,Code:1904(169337->)) |
| 2 | OZ11411 | AR48675 | RE524562 | Thermostat,82c |
| 3 | OT11123 | AR43634 | AR43261 | Oil Filter (<-292345) |
| 3 | OT11417 | RE57394 | RE46380 | Oil Filter (292346->) |
| 4A | OT11211 | AT25038 | | Oil Cooler (6466T,A <-336698) |
| 4 | OT11124 | AR55394 | | Oil Cooler 6466D (6466T,A 336699->) |
| 5 | OZ11805 | AT85174 | AR27977 | Switch,Oil |

Fuel System



| Key | Ozgun No | OEM No | SUB No | Description |
|-----|----------|---------|---------|--|
| 1 | OT11128 | AR57264 | | Fuel Pump(6466D) |
| 2 | OZ11615 | AR50041 | | Fuel Filter 6466D (6466T,A,<-299563) |
| 2 | OT11418 | AR86745 | RE27091 | Fuel Filter (6466T,A, 299564->) |
| 3 | OT11419 | RE10935 | | Nozzle Assy. |
| 3 | OT11133 | AR85541 | | Nozzle Assy.(6466D) |
| 3 | OT11420 | AR74664 | | Nozzle Assy.(6466T, 115331->) |
| 3 | OT11216 | AR74665 | AR73127 | Nozzle Assy. (6466T, ←115330) |
| 3 | OT11421 | AR88546 | | Nozzle Assy.(6466A, 070251-071480) |
| 3 | OT11422 | AR73847 | | Nozzle Assy.(6466A Code:1606,1608 ←301495) |
| 4 | OT11423 | RE10938 | | Nozzle KDEL 4 X 0.28 |
| 4 | OT11424 | AR74667 | | Nozzle for AR85541,AR74664,(115331->) (4X 0.345) |
| 4 | OT11218 | AR74668 | | Nozzle for AR74665,(←115330)(4X0,33) |
| 4 | OT11425 | AR88548 | | Nozzle for AR88546 |
| 4 | OT11426 | AR73638 | | Nozzle for AR73847,(4 X 0.36) |

Gaskets



| Key | Ozгур No | OEM No | SUB No | Description |
|-----|----------|----------|---------|----------------------|
| 1 | OZ11822 | RE47336 | R55182 | Head Gasket |
| 1 | OZ11821 | R520706 | R66065 | Head Gasket (Thick) |
| 2 | OT11427 | RE524395 | RG27872 | Full Gasket(6466D) |
| 2 | OT11428 | RE524404 | RG27877 | Full Gasket(6466T/A) |
| 3 | OT11429 | RE524396 | RG27871 | Top Gasket(6466D) |
| 3 | OT11430 | RE524409 | RG27883 | Top Gasket(6466T/A) |
| 4 | OZ11826 | R520583 | R71918 | Gasket,Oil Pan |
| 5 | OZ11817 | R49866 | R32593 | Gasket,Rocker Cover |

400 SERIES 6.076T/A ENGINES

| | |
|--------------------------------------|---|
| ENGINE TYPE / SERIAL / SERIES | 6076A / <-499999 / 400 |
| CYL / BORE (MM) / PIN (MM) | 6 / 116,00 / 47,00 |
| DETAILS | (7.6L) piston RE50868 |
| AGRICULTURAL | TRACTOR MODEL; 4755 (<-193860),4760 (<-193860), 4955 (<-194084),4960 (<-193860) COTTON PICKER,STRIPPER; 9960 (<-520186),9965 (<-520186), 9970 Early Engine |
| INDUSTRIAL | LOADER; 644G (Early Engine <-520186) |
| GENERATOR | |
| ENGINE TYPE / SERIAL / SERIES | 6076A / 500000-> / 400 |
| CYL / BORE (MM) / PIN (MM) | 6 / 116,00 / 47,00 |
| DETAILS | (7.6L) piston RE57731 |
| AGRICULTURAL | TRACTOR MODEL; 4755(193861->),4760 (193861->),4955 (194085->),4960 (193861->) COTTON PICKER,STRIPPER; 9960 (520187->),9965 (520187->), 9970 Early Engine |
| INDUSTRIAL | LOADER; 644G (Early Engine 520187->) |
| GENERATOR | |
| ENGINE TYPE / SERIAL / SERIES | 6076H / / 400 |
| CYL / BORE (MM) / PIN (MM) | 6 / 116,00 / 47,00 |
| DETAILS | (7.6L) piston RE57512 |
| AGRICULTURAL | TRACTOR MODEL; 8100(<-009999),8200(<-009999),8300(<-009999),8560 COMBINE MODELS; 1185(<-38909) |
| INDUSTRIAL | |
| ENGINE TYPE / SERIAL / SERIES | 6076T / <-499999 / 400 |
| CYL / BORE (MM) / PIN (MM) | 6 / 116,00 / 47,00 |
| DETAILS | (7.6L) piston RE50868 |
| AGRICULTURAL | TRACTOR MODEL; 4055(<-193860),4255(<-193860),4455(<-193860),4555 (<-193860),4560(<-193860),7700(<-520186),7800(<-520186) COMBINE MODELS; 2056(<-520186),2058(<-520186),2064(<-520186),2066(<-520186), 9500(<-520186),9500CTS(<-520186),9500SH(<-520186),9600(<-520186) |
| INDUSTRIAL | LOADER; 644E (<-193860),644ER (<-193860),644EZ (<-193860) SKIDDER; 740E (<-193860),748E (<-193860) EXCAVATOR; 892ELC (<-520186) |
| ENGINE TYPE / SERIAL / SERIES | 6076T / 500000-> / 400 |
| CYL / BORE (MM) / PIN (MM) | 6 / 116,00 / 47,00 |
| DETAILS | (7.6L) piston RE57512 |
| AGRICULTURAL | TRACTOR MODEL; 4055(193861->),4255(193861->), 4455(193861->), 4555(193861->), 4560(193861->),7700(520187->), 7800(520187->) COMBINE MODELS; 2056(520187->),2058(520187->),2064(520187->),2066(520187->), 9500(520187->),9500CTS(520187->),9500SH(520187->)9600(520187->) |
| INDUSTRIAL | LOADER; 644E (193860->),644ER (193860->),644EZ (193860->) SKIDDER; 740E (193861->),740G (Early Engine),748E (193861->),748G (Early Engine) EXCAVATOR; 792DLC,892ELC (520187->) CRAWLER; 850C (Bulldozer <-715797) MOTOR GRADER; 770B (500000->),770BH (500000->) |

Crankshaft and compenents



| Key | Ozgur No | OEM No | SUB No | Description |
|-----|----------|----------|----------|------------------------------|
| 1 | OZ10004 | RE53422 | RE42671 | Crankshaft |
| 2 | OZ10088 | AR49025 | AR48728 | Seal,Front |
| 3 | OZ10078 | RE520036 | RE22764 | Seal,Rear |
| 3 | OT10601 | AR63095 | AR49650 | Seal,Rear |
| 4 | OZ10081 | R26049 | | Gear,Crankshaft, for AR96189 |
| 4 | OZ10082 | R105488 | | Gear,Crankshaft, for RE53422 |
| 5 | OT10604 | R63326 | R26521 | Ring Gear for RE53422 |
| 6 | OZ11814 | R28811 | | Ring Gear |
| 7 | OT11407 | AR93341 | SE500498 | Connecting Rod |
| 8 | OZ10307 | R74008 | | Bushing,Conrod |
| 9 | OZ10249 | R66452 | | Bolt,Conrod |

Overhaul Kit



| Ozgun No | OEM No | Kit contents | | | | Description |
|----------|----------------------|--------------|-----------------------|----------|----------------|--|
| | | Part No | Description | Part No | Description | |
| OT11535 | RE524625, RG27912 | RE60294 | Piston Kit | R84619 | Valve, Exhaust | Overhaul Kit (193861→) |
| | | AR77748 | Thrust Main Bearing | R74008 | Bushing | |
| | | AR74814 | Main Bearing | AR49025 | Seal,Front | |
| | | AR73277 | Con Rod Bearing | RE22764 | Seal,Rear | |
| | | AR77747 | Thrust Washer Bearing | RE524624 | Full Gasket | |
| | | R84618 | Valve,Intake | | | |
| | | | | | | |
| OT11536 | RE524630, RG22793 | RE60297 | Piston Kit | R84619 | Valve, Exhaust | Overhaul Kit (6076AF001 Only) |
| | | AR77748 | Thrust Main Bearing | R74008 | Bushing | |
| | | AR74814 | Main Bearing | AR49025 | Seal,Front | |
| | | AR73277 | Con Rod Bearing | RE22764 | Seal,Rear | |
| | | AR77747 | Thrust Washer Bearing | RE524624 | Full Gasket | |
| | | R84618 | Valve,Intake | | | |
| | | | | | | |
| OT11537 | RG20846 | RE48739 | Piston Kit | R84619 | Valve, Exhaust | Overhaul (←193860) |
| | | AR77748 | Thrust Main Bearing | R74008 | Bushing | |
| | | AR74814 | Main Bearing | AR49025 | Seal,Front | |
| | | AR73277 | Con Rod Bearing | RE22764 | Seal,Rear | |
| | | AR77747 | Thrust Washer Bearing | RE524624 | Full Gasket | |
| | | R84618 | Valve,Intake | | | |
| | | | | | | |
| OT11538 | RE524641, RE64212 | RE60294 | Piston Kit | R84619 | Valve, Exhaust | Overhaul Kit (AF030, HF030, TF030) |
| | | AR77748 | Thrust Main Bearing | R74008 | Bushing | |
| | | AR74814 | Main Bearing | AR49025 | Seal,Front | |
| | | AR73277 | Con Rod Bearing | RE22764 | Seal,Rear | |
| | | AR77747 | Thrust Washer Bearing | RE524640 | Full Gasket | |
| | | R84618 | Valve,Intake | | | |
| | | | | | | |

Piston Kit



| Key | Ozgun No | OEM No | SUB No | Description |
|-----|----------|---------|---------|--|
| 1 | OT11500 | RE60297 | RE57732 | Piston-Liner Kit,(194085->) |
| 1 | OT11501 | RE48739 | | Piston-Liner Kit(<- 193860),(<-194084), (<-520186) |
| 1 | OZ10261 | RE60294 | RE57513 | Piston-Liner Kit,(193861->),(520187->), (<-499999) |
| 2 | OT11502 | RE57731 | | Piston,4955,4960(194085->) |
| 2 | OZ10281 | RE50868 | | Piston (<-193860)], (<-194084),(<-520186) |
| 2 | OZ10282 | RE57512 | | Piston,(193861->),(520187->),(<-499999) |
| 3 | OZ10224 | RE48380 | AR73627 | Ring,<-193860),(<-520186) ,With RE57731,RE50868 |
| 3 | OZ10296 | RE57517 | | Ring,(193861->),(520187->),(<-499999) |
| 4 | OZ10241 | AR63060 | | Liner |
| 5 | OZ10242 | AR98850 | AR73628 | Seal Kit |
| 6 | OT11404 | R57771 | | Pin,Piston |
| 7 | OT11405 | E1343FN | | Snap Ring |

Bearing



| Key | Ozgun No | OEM No | SUB No | Description |
|-----|----------|---------|---------|----------------------------|
| 1 | OZ10068 | AR77748 | AR72998 | Thrust Main Bearing,Std |
| 1 | OZ10069 | AR77750 | AR73272 | Thrust Main Bearing,010 |
| 1 | OT10609 | AR77751 | AR73273 | Thrust Main Bearing,020 |
| 1 | OT10610 | AR77752 | AR73274 | Thrust Main Bearing,030 |
| 2 | OZ10058 | AR74814 | AR46625 | Main Bearing,Std. |
| 2 | OZ10059 | AR74816 | AR46400 | Main Bearing,010 |
| 2 | OT10611 | AR74817 | AR46401 | Main Bearing,020 |
| 2 | OT10612 | AR74818 | AR46402 | Main Bearing,030 |
| 3 | OT11400 | AR73277 | | Con Rod Bearing, Std. |
| 3 | OT11401 | AR73279 | | Con Rod Bearing, 010 |
| 3 | OT11402 | AR73280 | | Con Rod Bearing, 020 |
| 3 | OT11403 | AR73281 | | Con Rod Bearing, 030 |
| 4 | OZ10070 | AR77747 | AR73275 | Thrust Washer Bearing Std |
| 4 | OZ10071 | AR77753 | AR73276 | Thrust Washer Bearing .007 |

Valve



| Key | Ozgur No | OEM No | SUB No | Description |
|-----|----------|---------|---------|------------------------------|
| 1 | OT11503 | R84618 | | Valve,Intake,Std |
| 1 | OT11504 | R93308 | | Valve,Intake,003 |
| 1 | OT11505 | R93312 | | Valve,Intake,015 |
| 2 | OT11506 | R84619 | | Valve,Exhaust,Std |
| 2 | OT11507 | R93311 | | Valve,Exhaust,003 |
| 2 | OT11508 | R93313 | | Valve,Exhaust,015 |
| 3 | OT11509 | RG22421 | R108370 | Camshaft W/O Gear |
| 3 | OT11510 | RE57054 | R120872 | Camshaft W/O Gear (<-499999) |
| 4 | OZ10428 | R87561 | | Bush,Camshaft |
| 5 | OZ10424 | R85027 | AR40680 | Push Rod |
| 6 | OT11512 | R105379 | | Tappet, for R84826,R105474 |
| 6 | OT11513 | R110126 | | Tappet, for R108370 |
| 7 | OZ10413 | T20129 | | Cap |
| 8 | OZ10412 | T20077 | | Retainer |
| 9 | OZ10410 | R26125 | | Spring |
| 10 | OZ10411 | RE11410 | T20176 | Rotator |
| 11 | OT11514 | R84977 | | Insert,Valve Inlet |
| 11 | OT11515 | R84976 | | Insert,Valve Exhaust |

Oil pump and Oil Cooler



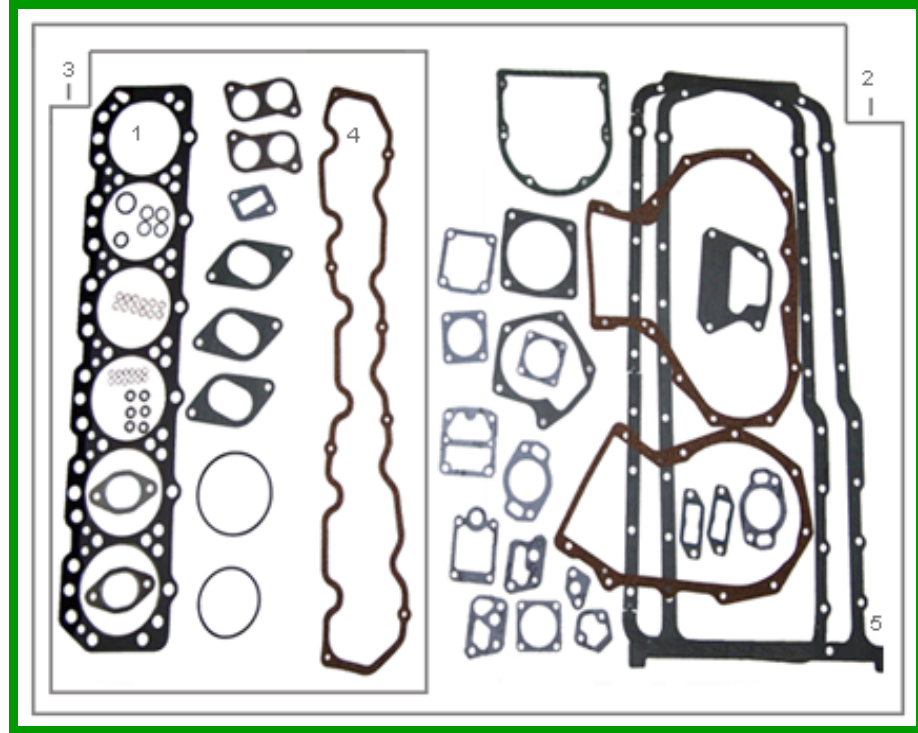
| Key | Ozgur No | OEM No | SUB No | Description |
|-----|----------|---------|----------|--------------------------|
| 1 | OZ10641 | RE60622 | RE507076 | Oil Pump Assy,(179988->) |
| 2 | OZ11411 | AR48675 | RE524562 | Thermostat,82c |
| 3 | OT11417 | RE57394 | RE46380 | Oil Filter |
| 4 | OT11124 | AR55394 | | Oil Cooler |

Fuel System



| Key | Ozgur No | OEM No | SUB No | Description |
|-----|----------|---------|---------|-------------------------------|
| 1 | OT11526 | RE20042 | | Fuel Pump,Bosh |
| 1 | OT11527 | RE35139 | | Fuel Pump,Denso |
| 2 | OT11418 | AR86745 | RE27091 | Fuel Filter |
| 3 | OT11528 | RE30160 | | Nozzle Assy,Denso |
| 4 | OT11529 | RE30086 | RE52112 | Nozzle ,KDAL 7X0,22(<-183696) |

Gaskets

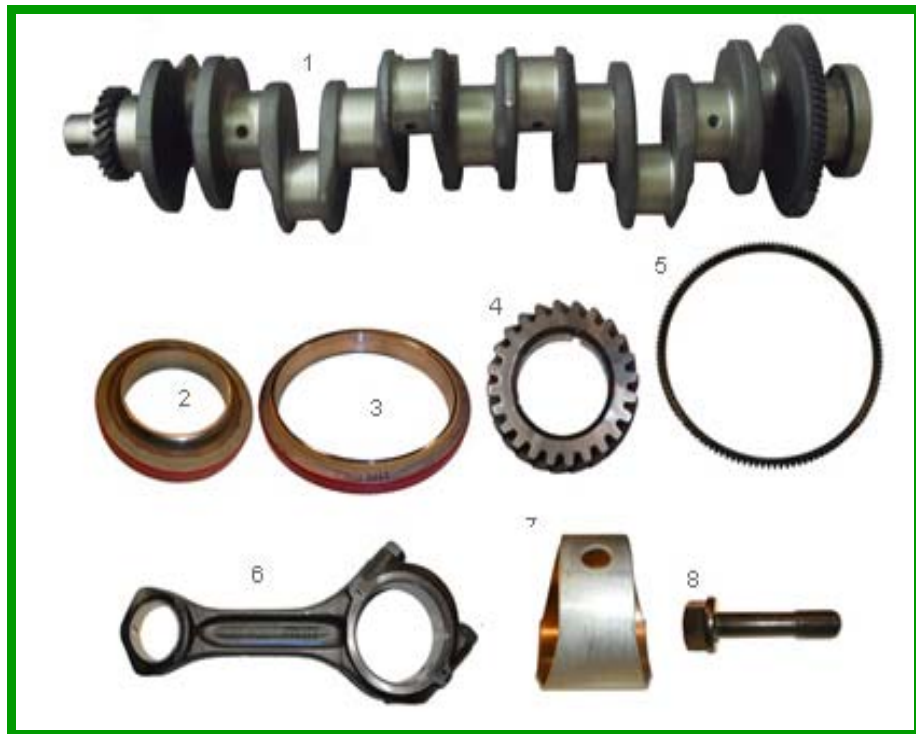


| Key | Ozgur No | OEM No | SUB No | Description |
|-----|----------|----------|---------|--|
| 1 | OZ11822 | RE47336 | R55182 | Head Gasket |
| 2 | OT11531 | RE524624 | RE35647 | Full Gasket |
| 2 | OT11532 | RE524640 | RE64206 | Full Gasket AF030,HF030, FT030, AFN030 |
| 3 | OZ11836 | RE526730 | RE29859 | Top Gasket |
| 4 | OZ11826 | R520583 | R71918 | Gasket,Oil Pan |
| 4 | OT11533 | R90249 | | Gasket,Oil Pan,Front |
| 5 | OT11534 | R88993 | | Gasket,Rocker Cover |

500 SERIES 6.101 A/H/T ENGINES

| | |
|--------------------------------------|--|
| ENGINE TYPE / SERIAL / SERIES | 6101A / <-101168 / 500 |
| CYL / BORE (MM) / PIN (MM) | 6 / 130,00 / 50,80 |
| DETAILS | piston-liner kit RE20288 |
| AGRICULTURAL | |
| INDUSTRIAL | LOADER; 744E (<-104420) |
| GENERATOR | |
| ENGINE TYPE / SERIAL / SERIES | 6101A / 101169-499999 / 500 |
| CYL / BORE (MM) / PIN (MM) | 6 / 130,00 / 50,80 |
| DETAILS | piston-liner kit RE40476 |
| AGRICULTURAL | |
| INDUSTRIAL | LOADER; 744E (104420-499999) |
| GENERATOR | |
| ENGINE TYPE / SERIAL / SERIES | 6101A / 500000-> / 500 |
| CYL / BORE (MM) / PIN (MM) | 6 / 130,00 / 50,80 |
| DETAILS | piston-liner kit RE53215 |
| AGRICULTURAL | |
| INDUSTRIAL | LOADER; 744E (500000->) EXCAVATOR; 450LC,990(Late Engine),992ELC SCRAPER; 862B (500000->) |
| GENERATOR | |
| ENGINE TYPE / SERIAL / SERIES | 6101H / <-101168 / 500 |
| CYL / BORE (MM) / PIN (MM) | 6 / 130,00 / 50,80 |
| DETAILS | piston-liner kit RE20288 |
| AGRICULTURAL | TRACTOR MODEL; 8760 |
| INDUSTRIAL | |
| GENERATOR | |
| ENGINE TYPE / SERIAL / SERIES | 6101H / 101169-> / 500 |
| CYL / BORE (MM) / PIN (MM) | 6 / 130,00 / 50,80 |
| DETAILS | piston-liner kit RE53215 |
| AGRICULTURAL | TRACTOR MODEL; 8770,8870 |
| INDUSTRIAL | LOADER; 844 |
| GENERATOR | |
| ENGINE TYPE / SERIAL / SERIES | 6101T / / 500 |
| CYL / BORE (MM) / PIN (MM) | 6 / 130,00 / 50,80 |
| DETAILS | piston-liner kit RE40476 |
| AGRICULTURAL | |
| INDUSTRIAL | |
| GENERATOR | |

Crankshaft and compenents



| Key | Ozgur No | OEM No | SUB No | Description |
|-----|----------|----------|---------|--------------------------------------|
| 1 | OT11600 | RE43216 | | Crankshaft,6101AF,6101HF |
| 1 | OT11701 | AR92533 | R63476 | Crankshaft,8760,8770,8870 |
| 2 | OZ10088 | AR49025 | AR48728 | Seal,Front |
| 3 | OZ10079 | RE13310 | RE13312 | Seal,Rear |
| 4 | OT11601 | R104485 | | Gear,Crankshaft Front,6101AF,6101HF |
| 4 | OT11702 | R35045 | | Gear,Crankshaft Front,8760,8770,8870 |
| 5 | OT11602 | AR103044 | R76000 | Ring Gear |
| 6 | OT11619 | AR79366 | R63959 | Connecting Rod |
| 7 | OZ10308 | R69045 | R63960 | Bushing,Conrod |
| 8 | OT11620 | R66453 | | Bolt,Conrod |

Overhaul Kit



| Ozgur No | OEM No | Kit contents | | | | Description |
|----------|----------------------|--------------|-----------------------|----------|----------------|------------------------------------|
| OT11535 | RE524625, RG27912 | Part No | Description | Part No | Description | Overhaul Kit, 6101AF, 6101HF |
| | | RE53215 | Piston Kit | R101305 | Valve, Exhaust | |
| | | AR101269 | Thrust Main Bearing | R69045 | Bushing | |
| | | AR101268 | Main Bearing | AR49025 | Seal,Front | |
| | | AR101271 | Con Rod Bearing | RE13310 | Seal,Rear | |
| | | AR89622 | Thrust Washer Bearing | RE524384 | Full Gasket | |
| | | R101304 | Valve,Intake | | | |
| OT11535 | RE524625, RG27912 | Part No | Description | Part No | Description | Overhaul Kit, (193861→) |
| | | RE40476 | Piston Kit | R101305 | Valve, Exhaust | |
| | | AR101269 | Thrust Main Bearing | R69045 | Bushing | |
| | | AR101268 | Main Bearing | AR49025 | Seal,Front | |
| | | AR101271 | Con Rod Bearing | RE13310 | Seal,Rear | |
| | | AR89622 | Thrust Washer Bearing | RE524331 | Full Gasket | |
| | | R101304 | Valve,Intake | | | |

Piston Kit



| Key | Ozgur No | OEM No | SUB No | Description |
|-----|----------|---------|---------|---------------------------------|
| 1 | OT11612 | RE53215 | RE44213 | Piston-Liner Kit, 6101AF,6101HF |
| 1 | OZ11365 | RE40476 | RE20288 | Piston-Liner Kit,8760,8770,8870 |
| 2 | OT11613 | RE57949 | | Piston, 6101AF,6101HF |
| 2 | OT11804 | RE20275 | | Piston,8760,8770,8870 |
| 3 | OT11614 | AR82355 | AR72349 | Ring, |
| 4 | OT11615 | RE52307 | | Liner , 6101AF,6101HF |
| 4 | OT11807 | R77640 | | Liner,8760,8770,8870 |
| 5 | OT11616 | AR72351 | | Seal Kit |
| 6 | OT11617 | R64451 | R57486 | Pin,Piston |
| 7 | OT11618 | N51168 | | Snap Ring |

Bearing



| Key | Ozgun No | OEM No | SUB No | Description |
|-----|----------|----------|----------|----------------------------|
| 1 | OZ10061 | AR101268 | AR101393 | Main Bearing,Std. |
| 1 | OT11603 | AR104122 | AR73015 | Main Bearing,010 |
| 1 | OT11604 | AR104123 | AR73016 | Main Bearing,020 |
| 1 | OT11605 | AR104124 | AR73017 | Main Bearing,030 |
| 2 | OZ10067 | AR101269 | AR101398 | Thrust Main Bearing,Std |
| 2 | OT11606 | AR104126 | AR101400 | Thrust Main Bearing,010 |
| 2 | OT11607 | AR104127 | AR101401 | Thrust Main Bearing,020 |
| 2 | OT11608 | AR104128 | AR101402 | Thrust Main Bearing,030 |
| 3 | OZ10065 | AR101271 | AR101413 | Con Rod Bearing, Std. |
| 3 | OT11609 | AR104130 | AR73027 | Con Rod Bearing, 010 |
| 3 | OT11610 | AR104131 | AR73028 | Con Rod Bearing, 020 |
| 3 | OT11611 | AR104132 | AR73029 | Con Rod Bearing, 030 |
| 4 | OZ10072 | AR89622 | | Thrust Washer Bearing Std |
| 4 | OZ10073 | AR89971 | | Thrust Washer Bearing .007 |

Valve



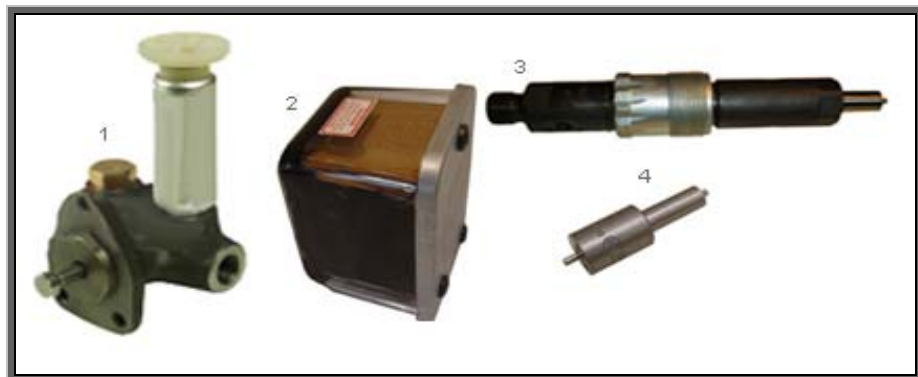
| Key | Ozgun No | OEM No | SUB No | Description |
|-----|----------|---------|---------|--------------------------|
| 1 | OT11621 | R101304 | | Valve,Intake,Std |
| 2 | OT11623 | R101305 | | Valve,Exhaust,Std |
| 3 | OT11625 | RG21890 | R119831 | Camshaft,6101A/H |
| 4 | OZ10428 | R87561 | | Bush,Camshaft |
| 5 | OT11628 | AR53087 | | Push Rod |
| 6 | OT11629 | AR41291 | | Tappet |
| 7 | OZ10413 | T20129 | | Cap |
| 8 | OZ10412 | T20077 | | Retainer |
| 9 | OT11630 | R91822 | | Spring |
| 10 | OZ10411 | RE11410 | T20176 | Rotator |
| 11 | OT11632 | R102860 | | Insert,Valve Exhaust Std |
| 12 | OT11635 | R108988 | | Guide,Valve |

Oil pump and Oil Cooler



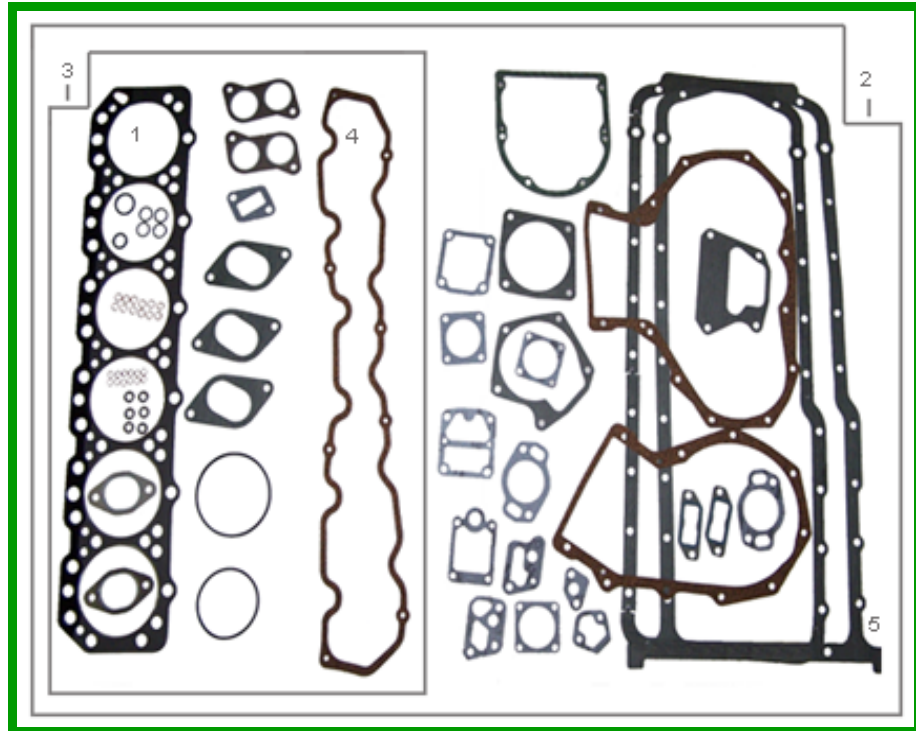
| Key | Ozgun No | OEM No | SUB No | Description |
|-----|----------|---------|----------|--------------------------|
| 1 | OZ10641 | RE60622 | RE507076 | Oil Pump Assy,(179988->) |
| 2 | OZ11411 | AR48675 | RE524562 | Thermostat,82c |
| 3 | OT11636 | RE44647 | | Oil Filter |

Fuel System



| Key | Ozgun No | OEM No | SUB No | Description |
|-----|----------|---------|---------|-------------------|
| 1 | OT11638 | RE46375 | | Fuel Pump, |
| 2 | OT11418 | AR86745 | RE27091 | Fuel Filter |
| 3 | OT11639 | RE48480 | | Nozzle Assy |
| 4 | OT11640 | RE48360 | | Nozzle,(7 X .255) |

Gaskets

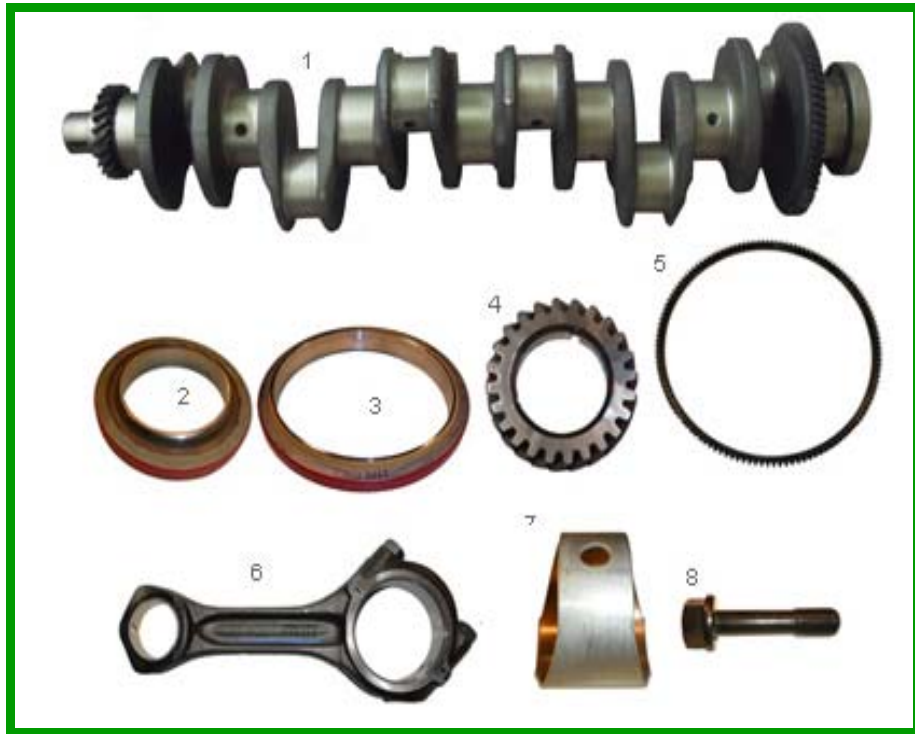


| Key | Ozgun No | OEM No | SUB No | Description |
|-----|----------|----------|---------|----------------------------|
| 1 | OT11641 | RE34009 | RE20305 | Head Gasket |
| 2 | OT11642 | RE524384 | RE56492 | Full Gasket,6101AF,6101HF |
| 2 | OT11824 | RE524331 | RE37416 | Full Gasket,8760,8770,8870 |
| 3 | OT11643 | RE524394 | RE56491 | Top Gasket,6101AF,6101HF |
| 3 | OT11825 | RE524373 | RE37417 | Top Gasket,8760,8770,8870 |
| 4 | OT11644 | RE509291 | R64828 | Gasket,Oil Pan |
| 5 | OT11645 | R74365 | R36652 | Gasket,Rocker Cover |

500 SERIES 6.619 A/T ENGINES

| | |
|--------------------------------------|---|
| ENGINE TYPE / SERIAL / SERIES | 6619A / <-033814 / 500 |
| CYL / BORE (MM) / PIN (MM) | 6 / 130,00 / 50,80 |
| DETAILS | piston-liner kit AR84089 (block R65628,R57424,R66925) |
| AGRICULTURAL | TRACTOR MODEL; 8630 (<-033814), 8640 (<-033814) HARVESTER; 5820 (<-034540),5830 (<-034540) |
| INDUSTRIAL | EXCAVATOR; 890 (<-030480),890A (<-030480),992DLC (<-030480) CRAWLER; 850 (Bulldozer <-033814),855 (Loader <-034178) SCRAPER; 860B (<-031521),862 (<-030480),862B (<-040632) |
| GENERATOR | |
| ENGINE TYPE / SERIAL / SERIES | 6619A / 033815-049059 / 500 |
| CYL / BORE (MM) / PIN (MM) | 6 / 130,00 / 50,80 |
| DETAILS | piston-liner kit RE20291 (block R63199,R69312R72130,R74123) |
| AGRICULTURAL | TRACTOR MODEL; 8630(033815-049059),8640(033815-049059),8650(<-049059) HARVESTER; 5820 (034541-048933),5830 (034541-048933) |
| INDUSTRIAL | EXCAVATOR; 890 (030481-049059),890A (030481-049059),992DLC (030481-049059) CRAWLER; 850 (Bulldozer 033815-049059),855 (Loader 034179-049059) SCRAPER; 860B (031522-049059),862 (030480-049059),862B (040632-059243) |
| GENERATOR | |
| ENGINE TYPE / SERIAL / SERIES | 6619A / 049060-> / 500 |
| CYL / BORE (MM) / PIN (MM) | 6 / 130,00 / 50,80 |
| DETAILS | piston-liner kit RE20288(block R75934,R87552,R88217,R98554,R105739) |
| AGRICULTURAL | TRACTOR MODEL; 8630(049060->),8640(049060->),8650(049060->) HARVESTER; 5820 (048934->),5830 (048934->) |
| INDUSTRIAL | EXCAVATOR; 890 (049060->),890A (049060->),992DLC (049060->) CRAWLER; 850 (Bulldozer 049060->),855 (Loader 049060->) SCRAPER; 860B (049060->),862 (049060->), 862B (059243-499999) |
| ENGINE TYPE / SERIAL / SERIES | 6619T / <-033814 / 500 |
| CYL / BORE (MM) / PIN (MM) | 6 / 130,00 / 50,80 |
| DETAILS | piston-liner kit AR84089 |
| AGRICULTURAL | |
| INDUSTRIAL | SCRAPER; 762 (<-034194) |
| GENERATOR | |
| ENGINE TYPE / SERIAL / SERIES | 6619T / 033815-049059 / 500 |
| CYL / BORE (MM) / PIN (MM) | 6 / 130,00 / 50,80 |
| DETAILS | piston-liner kit RE20291 |
| AGRICULTURAL | |
| INDUSTRIAL | SCRAPER; 762 (034195-049059) |
| GENERATOR | |
| ENGINE TYPE / SERIAL / SERIES | 6619T / 049060-> / 500 |
| CYL / BORE (MM) / PIN (MM) | 6 / 130,00 / 50,80 |
| DETAILS | piston-liner kit RE40476 |
| AGRICULTURAL | |
| INDUSTRIAL | CRAWLER; 850 (Bulldozer 049060->),855 (Loader 049060->) SCRAPER; 762 (049060->),860B (049060->),862 (049060->) |

Crankshaft and compenents



| Key | Ozgun No | OEM No | SUB No | Description |
|-----|----------|---------|---------|--------------------------|
| 1 | OT11701 | AR92533 | AR78403 | Crankshaft (046656->) |
| 1 | OT11700 | AR69263 | | Crankshaft,(<-046655) |
| 2 | OZ10088 | AR49025 | AR48728 | Seal,Front |
| 3 | OZ10079 | RE13310 | RE13312 | Seal,Rear |
| 4 | OT11702 | R35045 | | Gear,Crankshaft |
| 4 | OZ10082 | R105488 | | Gear,Crankshaft, |
| 5 | OZ11814 | R28811 | | Ring Gear |
| 6 | OT11808 | AR86985 | AR69037 | Connecting Rod(<-033814) |
| 6 | OT11619 | AR79366 | R63959 | Connecting Rod(033815->) |
| 7 | OT11809 | R60197 | | Bushing,Conrod(<-033814) |
| 7 | OZ10308 | R69045 | R63960 | Bushing,Conrod(033815->) |
| 8 | OT11620 | R66453 | | Bolt,Conrod |

Overhaul Kit



| Ozgur No | OEM No | Kit contents | | | | Description |
|----------|----------------------|--------------|-----------------------|----------|----------------|--------------------------------------|
| | | Part No | Description | Part No | Description | |
| OT11826 | RE524386, RG27865 | AR84089 | Piston Kit | R63982 | Valve, Exhaust | Overhaul Kit (←033814) |
| | | AR101269 | Thrust Main Bearing | R60197 | Bushing | |
| | | RE529319 | Main Bearing | AR49025 | Seal,Front | |
| | | AR101271 | Con Rod Bearing | RE13310 | Seal,Rear | |
| | | AR89622 | Thrust Washer Bearing | RE524331 | Full Gasket | |
| | | R75690 | Valve,Intake | | | |
| | | | | | | |
| OT11827 | RE524376, RG20200 | RE20291 | Piston Kit | R63982 | Valve, Exhaust | Overhaul Kit, (033815- 049059) |
| | | AR101269 | Thrust Main Bearing | R69045 | Bushing | |
| | | RE529319 | Main Bearing | AR49025 | Seal,Front | |
| | | AR101271 | Con Rod Bearing | RE13310 | Seal,Rear | |
| | | AR89622 | Thrust Washer Bearing | RE524331 | Full Gasket | |
| | | R75690 | Valve,Intake | | | |
| | | | | | | |
| OT11828 | RE524385, RG23583 | RE40476 | Piston Kit | R63982 | Valve, Exhaust | Overhaul Kit, (049060->) |
| | | AR101269 | Thrust Main Bearing | R69045 | Bushing | |
| | | RE529319 | Main Bearing | AR49025 | Seal,Front | |
| | | AR101271 | Con Rod Bearing | RE13310 | Seal,Rear | |
| | | AR89622 | Thrust Washer Bearing | RE524331 | Full Gasket | |
| | | R75690 | Valve,Intake | | | |
| | | | | | | |

Piston Kit



| Key | Ozgun No | OEM No | SUB No | Description |
|-----|----------|---------|---------|----------------------------------|
| 1 | OT11800 | AR84089 | AR77558 | Piston-Liner Kit (<-033814) |
| 1 | OT11801 | RE20291 | AR89630 | Piston-Liner Kit (033815-049059) |
| 1 | OT11802 | RE20288 | RE13847 | Piston-Liner Kit (049060->) |
| 2 | OT11803 | AR69038 | | Piston, for AR84089 |
| 2 | OT11804 | RE20275 | AR85997 | Piston, for RE20291 & RE20288 |
| 2 | OT11805 | RE42231 | RE40433 | Piston, for RE40476 |
| 3 | OT11614 | AR82355 | AR72349 | Ring, |
| 4 | OT11806 | R65629 | | Liner, for AR84089 & RE20291 |
| 4 | OT11807 | R77640 | | Liner, for RE40476 & RE20288 |
| 5 | OT11616 | AR72351 | | Seal Kit |
| 6 | OT11617 | R64451 | R57486 | Pin,Piston |
| 7 | OT11618 | N51168 | | Snap Ring |

Bearing



| Key | Ozgur No | OEM No | SUB No | Description |
|-----|----------|----------|----------|----------------------------|
| 1 | OZ10067 | AR101269 | AR101398 | Thrust Main Bearing,Std |
| 1 | OT11606 | AR104126 | AR101400 | Thrust Main Bearing,010 |
| 1 | OT11607 | AR104127 | AR101401 | Thrust Main Bearing,020 |
| 1 | OT11608 | AR104128 | AR101402 | Thrust Main Bearing,030 |
| 2 | OZ10061 | AR101268 | AR101393 | Main Bearing,Std. |
| 2 | OT11603 | AR104122 | AR73015 | Main Bearing,010 |
| 2 | OT11604 | AR104123 | AR73016 | Main Bearing,020 |
| 2 | OT11605 | AR104124 | AR73017 | Main Bearing,030 |
| 3 | OZ10065 | AR101271 | AR101413 | Con Rod Bearing, Std. |
| 3 | OT11609 | AR104130 | AR73027 | Con Rod Bearing, 010 |
| 3 | OT11610 | AR104131 | AR73028 | Con Rod Bearing, 020 |
| 3 | OT11611 | AR104132 | AR73029 | Con Rod Bearing, 030 |
| 4 | OZ10072 | AR89622 | | Thrust Washer Bearing Std |
| 4 | OZ10073 | AR89971 | | Thrust Washer Bearing .007 |

Valve



| Key | Ozgur No | OEM No | SUB No | Description |
|-----|----------|---------|--------|-------------------------------------|
| 1 | OT11810 | R59895 | | Valve,Intake,Std (<-021561) |
| 1 | OT11811 | R75690 | R81087 | Valve,Intake,Std (021562->) |
| 2 | OT11737 | R90601 | R49567 | Valve,Exhaust,Std(<-010696) |
| 2 | OT11812 | R60536 | | Valve,Exhaust,Std(010697-021561) |
| 2 | OT11813 | R63982 | | Valve,Exhaust,Std(021562->) |
| 3 | OT11738 | RE11137 | R77747 | Camshaft |
| 4 | OZ10632 | R46903 | R42339 | Bush,Camshaft |
| 5 | OT11628 | AR53087 | | Push Rod |
| 6 | OT11629 | AR41291 | | Tappet |
| 7 | OT11742 | R40366 | | Cap |
| 8 | OT11743 | R35431 | | Lock Retainer(651D/T/A) |
| 9 | OT11748 | R49569 | | Spring |
| 9 | OT11749 | R49571 | | Spring,Outer |
| 10 | OT11746 | R81086 | R49568 | Rotator |
| 11 | OT11814 | R59894 | | Insert,Valve Inlet Std |
| 11 | OT11815 | R48314 | | Insert,Valve Exhaust Std (<-010696) |
| 11 | OT11816 | R60537 | | Insert,Valve Exhaust Std (010697->) |
| 12 | OT11753 | R53192 | | Guide,Valve |

Oil pump and Oil Cooler



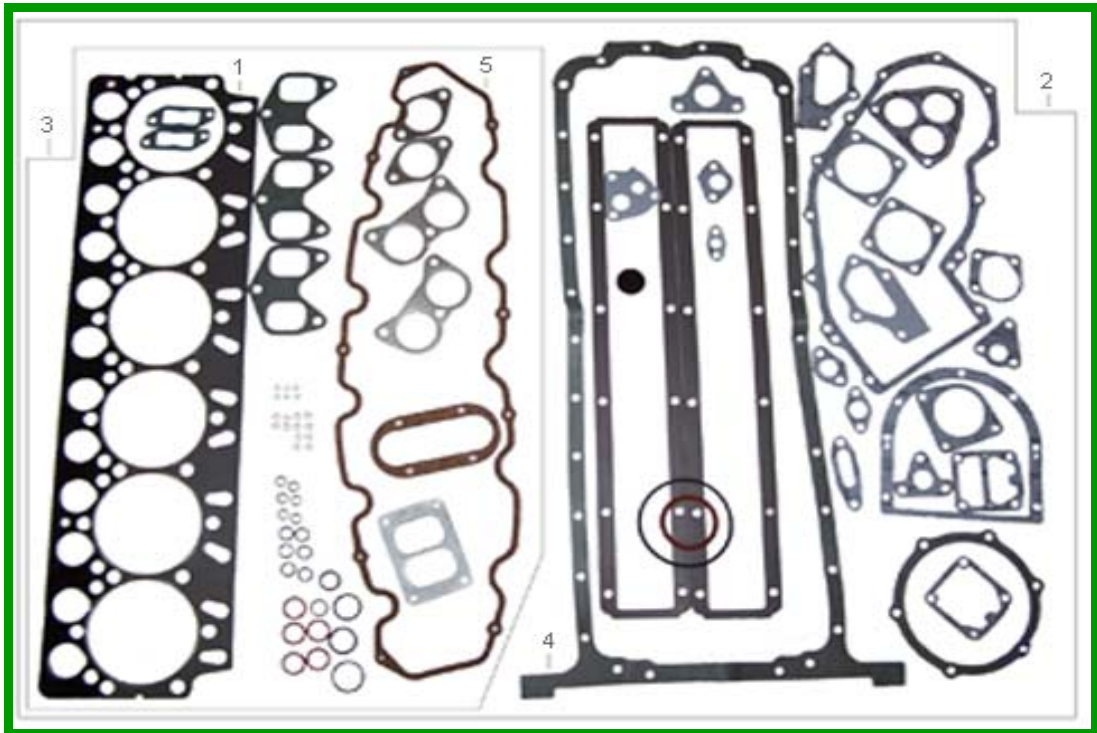
| Key | Ozgur No | OEM No | SUB No | Description |
|-----|----------|---------|----------|--------------------------|
| 1 | OZ10641 | RE60622 | RE507076 | Oil Pump Assy,(061566->) |
| 2 | OZ11411 | AR48675 | RE524562 | Thermostat,82c |
| 3 | OT11123 | AR43634 | AR43261 | Oil Filter(<-047462) |
| | OT11417 | RE57394 | RE46380 | Oil Filter(047463->) |

Fuel System



| Key | Ozgur No | OEM No | SUB No | Description |
|-----|----------|----------|---------|------------------------------|
| 1 | OT11819 | RE524475 | RE10605 | Fuel Pump |
| 2 | OZ11615 | AR50041 | | Fuel Filter(-<047876) |
| 2 | OT11418 | AR86745 | RE27091 | Fuel Filter-<047877) |
| 3 | OT11820 | AR73100 | | Nozzle Assy(<- 054322)Bosch |
| 3 | OT11821 | AR103189 | RE20870 | Nozzle Assy(054323->)Bosch |
| 3 | OT11422 | AR73847 | | Nozzle Assy(6619T)Bosch |
| 4 | OT11822 | RE10947 | | Nozzle,Bosch(<- 054322)Bosch |
| 4 | OT11823 | RE20871 | | Nozzle,Bosch(054323->)Bosch |
| 4 | OT11425 | AR73638 | | Nozzle ,(6619t)Bosch |

Gaskets

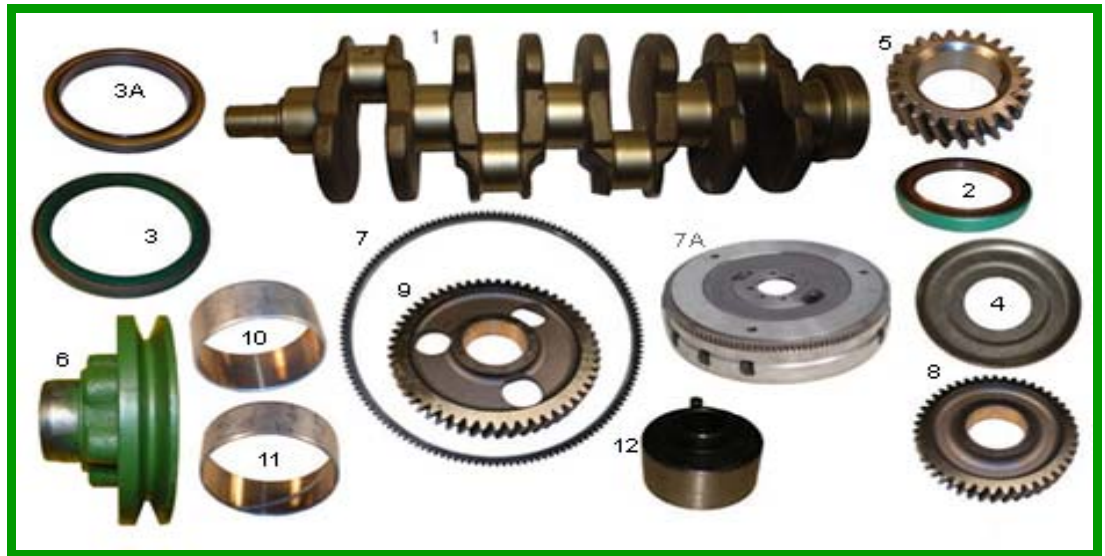


| Key | Ozgur No | OEM No | SUB No | Description |
|-----|----------|----------|---------|--|
| 1 | OT11641 | RE34009 | RE20305 | Head Gasket |
| 2 | OT11824 | RE524331 | RE37416 | Full Gasket |
| 3 | OT11825 | RE524373 | RE37417 | Top Gasket |
| 4 | OT11644 | RE509291 | R64828 | Gasket,Use With Aluminum Oil Pan (Thick) |
| 4 | OZ11827 | R520584 | R71919 | Gasket,Use With Cast Iron Oil Pan (Thin) |
| 5 | OT11645 | R74365 | R36652 | Gasket,Rocker Cover |

300 SERIES 4.039D/T ENGINES

| | |
|--------------------------------------|--|
| ENGINE TYPE / SERIAL / SERIES | 4039D / / 300 |
| CYL / BORE (MM) / PIN (MM) | 4 / 106,50 / 35,00 |
| DETAILS | piston RE19282,RE19283 |
| AGRICULTURAL | TRACTOR MODEL; 3200,3200X,3210 (EARLY DESIGN),3210X (Early Design), 5600 WINDROWER; 3430 (300000->) |
| INDUSTRIAL | BACKHOE LOADER; 210C (300000->),210D,300D,310D (<-362468),315D (<-362468) EXCAVATOR; 190E (Remanufactured),290D (300000->) CRAWLER; 400G (Bulldozer 300000->) FORKLIFT; 482C (300000->) |
| GENERATOR | |
| ENGINE TYPE / SERIAL / SERIES | 4039T / / 300 |
| CYL / BORE (MM) / PIN (MM) | 4 / 106,50 / 41,00 |
| DETAILS | piston RE19278,RE19279 |
| AGRICULTURAL | TRACTOR MODEL; 3400,3400X,3410,3410X,5500,5500N,5700,6200,6200L, 6300, 6300L,SE6100, SE6200,SE6300 WINDROWER; 3830 (300000->) |
| INDUSTRIAL | BACKHOE LOADER; 310D (362469->),315D (362469->) SPRAYERS; 6100,6500, 6600 TELESKOPIC HANDLER; 4400,4500 |
| GENERATOR | |

Crankshaft and compenents



| Key | Ozgur No | OEM No | SUB No | Description |
|-----|----------|---------|---------|--------------------------|
| 1 | OZ10002 | AT18030 | RE57664 | Crankshaft (<-216421) |
| 1 | OZ10052 | RE20585 | RE36605 | Crankshaft (216421->) |
| 2 | OZ10021 | AR67942 | AT21608 | Seal,Front |
| 3 | OZ10020 | RE44574 | | Seal,Rear |
| 3 | OT10001 | AR92893 | AT22965 | Seal,Rear |
| 4 | OZ10022 | T20046 | | Silinger,Seal Front |
| 5 | OZ10023 | T20094 | | Gear,Crankshaft |
| 6 | OZ10025 | R80808 | R59312 | Pulley,Crankshaft |
| 7 | OZ11804 | R114282 | T20088 | Ring Gear |
| 7A | OZ11809 | AR92508 | RE18678 | Flywheel |
| 8 | OZ10617 | AR91660 | AT18009 | Gear,Cranshaft Idler,Up |
| 9 | OZ10618 | AT24252 | T26322 | Gear,Cranshaft Idler,Low |
| 10 | OZ10622 | T20034 | | Bush,Up |
| 11 | OZ10620 | T26321 | | Bush,Low |
| 12 | OZ10619 | R109863 | T26323 | Pin |

Overhaul Kit



| Ozgur No | OEM No | Kit contents | | | Description |
|-----------|----------------------|--------------|-------------------|--------|--------------------------------|
| OZ04039D | RE526993, RE61615 | Part No | Description | Pieces | Overhaul Kit B Type (4039D) |
| | | RE30250 | Piston Kit | 4 | |
| | | OZ10034 | Bearing Set,Std | 1 | |
| | | R98062 | Valve,Intake,Std | 4 | |
| | | R90692 | Valve,Exhaust,Std | 4 | |
| | | R55647 | Bushing | 4 | |
| | | AR67942 | Seal,Front | 1 | |
| | | RE44574 | Seal,Rear | 1 | |
| RE524748 | Full Gasket | 1 | | | |
| OZ04239TH | | Part No | Description | Pieces | Overhaul Kit H Type (4039D) |
| | | RE11510 | Piston Kit | 4 | |
| | | OZ10034 | Bearing Set,Std | 1 | |
| | | R98062 | Valve,Intake,Std | 4 | |
| | | R90692 | Valve,Exhaust,Std | 4 | |
| | | R55647 | Bushing | 4 | |
| | | AR67942 | Seal,Front | 1 | |
| | | RE44574 | Seal,Rear | 1 | |
| RE524748 | Full Gasket | 1 | | | |
| OZ04039T | RE526995, RE61617 | Part No | Description | Pieces | Overhaul Kit B Type (4039T) |
| | | RE22678 | Piston Kit | 4 | |
| | | OZ10034 | Bearing Set,Std | 1 | |
| | | R98062 | Valve,Intake,Std | 4 | |
| | | R90692 | Valve,Exhaust,Std | 4 | |
| | | R57451 | Bushing | 4 | |
| | | AR67942 | Seal,Front | 1 | |
| | | RE44574 | Seal,Rear | 1 | |
| RE524748 | Full Gasket | 1 | | | |
| OZ04239T | | Part No | Description | Pieces | Overhaul Kit H Type (4039T) |
| | | RE22681 | Piston Kit | 4 | |
| | | OZ10034 | Bearing Set,Std | 1 | |
| | | R98062 | Valve,Intake,Std | 4 | |
| | | R90692 | Valve,Exhaust,Std | 4 | |
| | | R57451 | Bushing | 4 | |
| | | AR67942 | Seal,Front | 1 | |
| | | RE44574 | Seal,Rear | 1 | |
| RE524748 | Full Gasket | 1 | | | |

Piston Kit



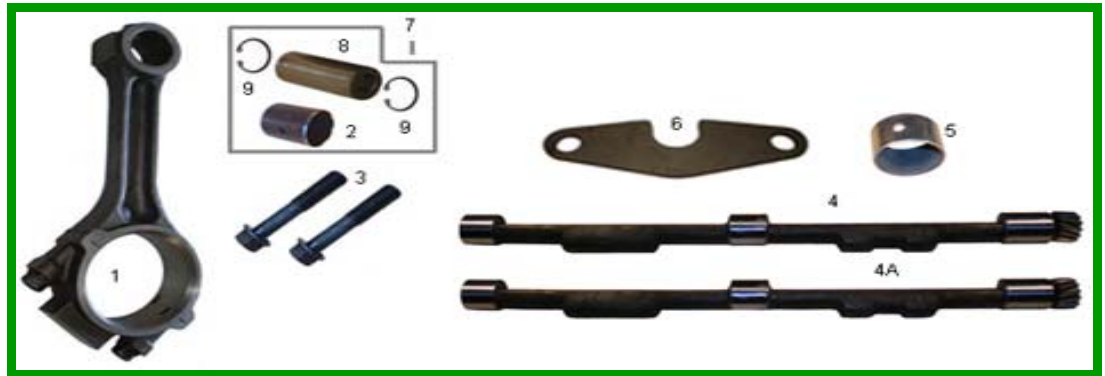
| Key | Ozgun No | OEM No | SUB No | Description |
|-----|----------|----------|---------|---|
| 1 | OZ10245 | RE30250 | RE24458 | Piston-Liner Kit, B Type,(4039D) ,Kit contents: RE19282, RE507852, R116281, AR65507 |
| 1 | OZ10310 | RE11510 | RE24539 | Piston-Liner Kit H Type, (4039D) ,Kit contents: RE19283, RE507852, R116281, AR65507 |
| 1 | OZ10246 | RE22678 | RE33115 | Piston-Liner Kit B Type, (4039T) ,Kit contents: RE19278, RE507852, R116281, AR65507 |
| 1 | OZ10254 | RE22681 | RE15597 | Piston-Liner Kit H Type, (4039T) ,Kit contents: RE19279, RE507852, R116281, AR65507 |
| 2 | OZ10205 | RE19282 | AR79868 | Piston,W/Alfini for RE30250 |
| 2 | OZ10271 | RE19283 | AR87738 | Piston,W/Alfini for RE11510 |
| 2 | OZ10206 | RE19278 | AR71067 | Piston,W/Alfini for RE33115 |
| 2 | OZ10272 | RE19279 | RE11596 | Piston,W/Alfini for RE22681 |
| 3 | OZ10208 | RE507852 | RE66820 | Ring |
| 4 | OZ10211 | R116281 | R51726 | Liner |
| 5 | OZ10214 | AR65507 | AR68318 | Seal Kit Viton |
| 5 | OT10200 | DD13277 | | Seal Kit Silicon |
| 6 | OZ10029 | R125754 | R51731 | Pin,Piston(4039D) |
| 6 | OZ10030 | R124230 | R56188 | Pin,Piston(4039T) |
| 7 | OZ10027 | M41029 | | Snap Ring(4039D) |
| 7 | OT10201 | R54114 | | Snap Ring (4039T) |

Bearing



| Key | Ozgun No | OEM No | SUB No | Description |
|-----|----------|----------|---------|---|
| 1 | OZ10010 | RE521350 | AT21139 | Thrust Bearing,Std[4039D/T(<-382468)] |
| 1 | OZ10011 | RE526754 | AT21132 | Thrust Bearing,010[4039D/T(<-382468)] |
| 1 | OZ10012 | RE527235 | AT21134 | Thrust Bearing,020[4039D/T(<-382468)] |
| 1 | OZ10013 | RE527236 | AT21136 | Thrust Bearing,030[4039D/T(<-382468)] |
| 2 | OT11903 | RE60350 | RE57279 | Thrust Main Bearing,Std.[4039D/T(382469->)] |
| 2 | OT12001 | RE27359 | | Thrust Main Bearing,010 |
| 2 | OT12002 | RE27366 | | Thrust Main Bearing,020 |
| 3 | OZ10005 | RE27352 | AT21140 | Main Bearing,Std.(4039D/T) |
| 3 | OZ10006 | RE27353 | AT21110 | Main Bearing,010(4039D/T) |
| 3 | OZ10007 | RE27360 | AT21112 | Main Bearing,020(4039D/T) |
| 3 | OZ10008 | RE27368 | AT21114 | Main Bearing,030(4039D/T) |
| 4 | OZ10015 | RE27348 | AT21138 | Con Rod Bearing, Std.(4039D/T) |
| 4 | OZ10016 | RE27349 | AT21124 | Con Rod Bearing, 010(4039D/T) |
| 4 | OZ10017 | RE27358 | AT21126 | Con Rod Bearing, 020(4039D/T) |
| 4 | OZ10018 | RE27364 | AT21128 | Con Rod Bearing, 030(4039D/T) |
| 5 | OT11904 | RE13571 | | Thrust Washer Set,Std[4039D/T(382469->)] |
| 5 | OT11905 | AR95932 | | Thrust Washer Set,.007"[4039D/T(382469->)] |
| | OZ10034 | OZ10034 | | Bearing Set,Std. ,(Kit contents: RE521350 , RE27352, 3 pcs, RE27348,3 pcs) |
| | OZ10035 | OZ10035 | | Bearing Set,010, (Kit contents: RE526754, RE27353, 3 pcs, RE27349,3 pcs) |
| | OZ10036 | OZ10036 | | Bearing Set,020 ,(Kit contents: RE527235, RE27360, 3 pcs, RE27358,3 pcs) |
| | OZ10037 | OZ10037 | | Bearing Set,030 ,(Kit contents: RE527236, RE27368, 3 pcs, RE27364,3 pcs) |

Connecting rod and Balancer shaft



| Key | Ozgun No | OEM No | SUB No | Description |
|-----|----------|---------|---------|--|
| 1 | OZ10218 | RE21076 | RE16495 | Connecting Rod(4039D) |
| 1 | OZ10303 | RE42733 | RE16494 | Connecting Rod(4039T) |
| 2 | OZ10216 | R55647 | R51728 | Bushing,Conrod(4039D) |
| 2 | OZ10217 | R57451 | R56186 | Bushing,Conrod(4039T) |
| 3 | OZ10219 | R74194 | T20009 | Bolt,Conrod,For AR55978(4039D) |
| 3 | OZ10250 | R80033 | | Bolt,Conrod,For RE16495,RE42733,L=59mm |
| 4 | OZ10608 | AR61351 | RE26282 | Balancer Shaft,Rh(4039D) |
| 4 | OZ10609 | AR61352 | RE26283 | Balancer Shaft,Lh(4039D) |
| 4 | OZ10634 | RE30471 | | Balancer Shaft,Rh(4039T) |
| 4 | OZ10636 | RE30472 | | Balancer Shaft,Lh(4039T) |
| 5 | OZ10610 | R57160 | R119210 | Bush Std,Balancer Shaft(4039D/T) |
| 5 | OZ10621 | R91708 | | Bush 020,Balancer Shaft(4039D/T) |
| 6 | OZ10611 | T20193 | R88112 | Plate,Balancer Shaft(4039D/T) |
| 7 | OT11906 | RE63916 | | Kit,Pin(4039D) |
| 7 | OT10202 | RE63913 | | Kit,Pin(4039T) |
| 8 | OZ10027 | M41029 | | Snap Ring,(4039D) |
| 8 | OT10201 | R54114 | | Snap Ring ,(4039T) |
| 9 | OZ10029 | R125754 | R51731 | Pin,Piston,(4039D) |
| 9 | OZ10030 | R124230 | R56188 | Pin,Piston,(4039T) |

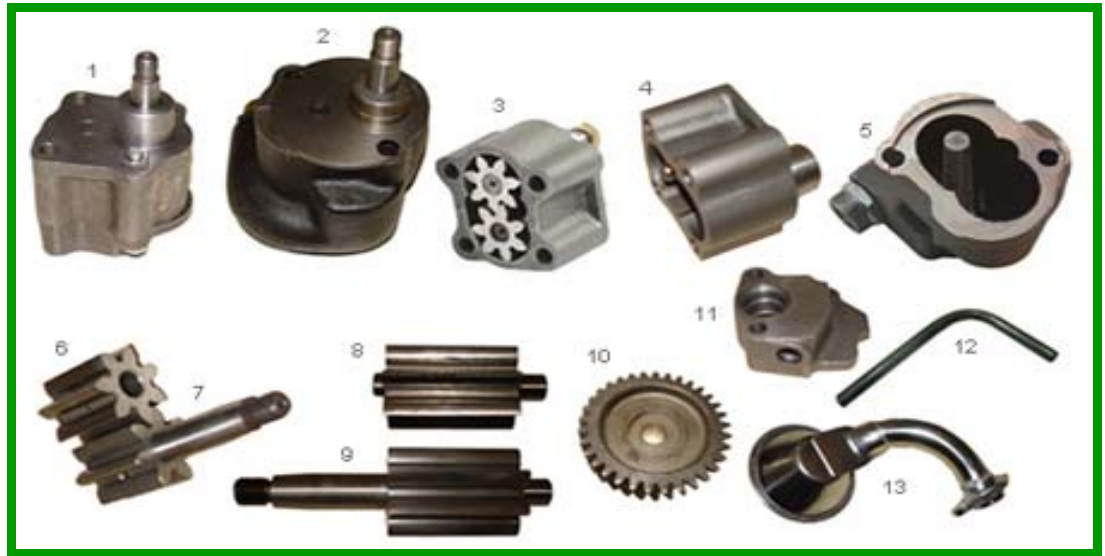
Valve and Camshaft



Valve and Camshaft

| Key | Ozgur No | OEM No | SUB No | Description |
|-----|----------|----------|---------|-------------------------------|
| 1 | OT11907 | R98062 | | Valve,Intake,Std |
| 1 | OT11909 | R97490 | | Valve,Intake,015 |
| 1 | OT11908 | R97491 | | Valve,Intake,030 |
| 2 | OT11910 | R90692 | | Valve,Exhaust,Std |
| 2 | OT11912 | R97492 | | Valve,Exhaust,015 |
| 2 | OT11911 | R90693 | | Valve,Exhaust,030 |
| 3 | OZ10415 | R82820 | AR79623 | Camshaft W/O Gear A=28mm |
| 3 | OT12329 | R106957 | | Camshaft A=40mm (Kit RE55900) |
| 4 | OZ10417 | T20070 | | Gear,Helicoid Tooth |
| 4 | OT12331 | R126246 | | Gear,Straight Tooth |
| 5 | OZ10408 | R82896 | T20310 | Push Rod[4039D(<-379968)] |
| 5 | OT10713 | R83429 | R54799 | Push Rod[4039T(<-379968)] |
| 5 | OT11914 | R107732 | | Push Rod[4039D(379969->)] |
| 5 | OT11915 | R107731 | | Push Rod[4039T(379969->)] |
| 6 | OZ10407 | T20073 | | Tappet |
| 7 | OT12330 | R119874 | | Bushing Cam Shaft |
| 8 | OT11916 | R91889 | | Lock, Retainer |
| 9 | OT11917 | RE60005 | RE31323 | Rototor |
| 10 | OZ10410 | R26125 | | Spring |
| 11 | OZ10409 | RE508317 | RE31973 | Rocker Arm(<-379968) |
| 11 | OT11922 | RE62148 | RE43384 | Rocker Arm(379969->) |
| 12 | OZ10419 | RE519735 | R54985 | Shaft |
| 13 | OZ10421 | R123161 | T20315 | Support, Rocker Arm Shaft |
| 14 | OT11918 | R98063 | R106831 | Valve Seat Insert,Intake,Std |
| 15 | OT11920 | R85687 | R106829 | Valve Seat Insert,Exhaust |
| 16 | OT10714 | RE31617 | | Seal,Std |
| 16 | OT12333 | RE37643 | | Seal,.015" |
| 16 | OT12334 | RE37644 | | Seal,.030" |

Oil Pump



| Key | Ozгур No | OEM No | SUB No | Description |
|-----|----------|---------|---------|---|
| 1 | OZ10601 | RE52020 | RE35685 | Oil Pump Assy,Code:5001,5002,5004, 5005, 5007, 5008 |
| 2 | OZ10628 | RE51497 | AR79465 | Oil Pump Assy,With Adapter Code:4039T Code: 5001,5011 |
| 3 | OZ10623 | RE15381 | | Oil Pump |
| 4 | OZ10603 | AR62978 | | Shaft Gear,Oil Pump ,for RE35685 |
| 5 | OZ10625 | AR85788 | AR63038 | Shaft Gear,Oil Pump, for AR79463 |
| 6 | OZ10604 | R54614 | | Gear,Oil Pump ,for RE35685 |
| 7 | OZ10602 | AR62979 | | Housing,Oil Pump, for RE35685 |
| 8 | OZ10626 | R66177 | R54631 | Gear,Oil Pump, for AR79463 |
| 9 | OZ10630 | RE15490 | | Housing,Oil Pump ,With Adapter for AR79463 |
| 10 | OZ10612 | T20298 | | Gear,Oil Pump |
| 11 | OZ10613 | T20050 | | Tube,Oil Pump,Use RE35685 |
| 11 | OT11923 | R113752 | | Tube,Oil Pump,Use RE55343 |
| 12 | OZ10605 | R53382 | | Cover,Oil Pump |
| 13 | OZ10606 | RE36425 | AR60701 | Strainer,Oil Pump, for RE35685 |

Oil Cooler and Oil Filter



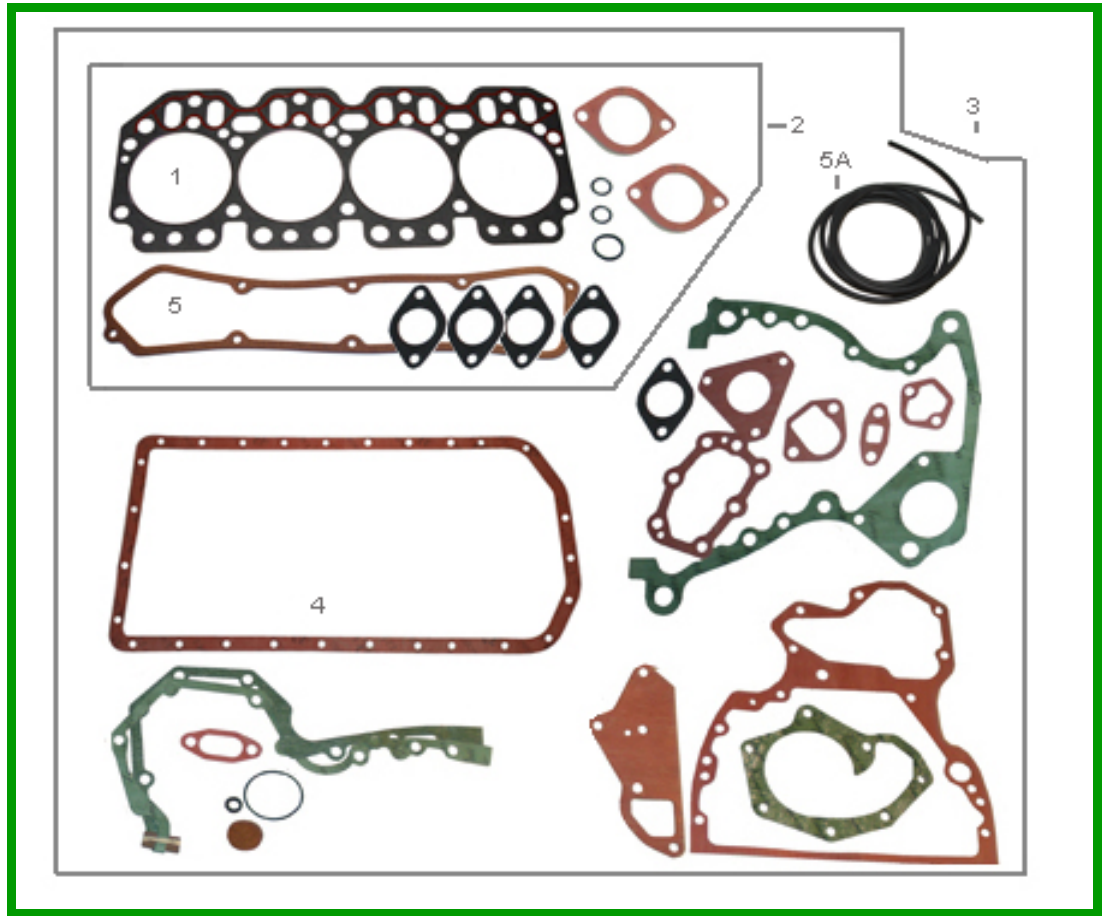
| Key | Ozgur No | OEM No | SUB No | Description |
|-----|----------|----------|----------|--|
| 1 | OZ11405 | RE33705 | AT22961 | Thermostat,82c,Code:2406,2407,2409 |
| 1 | OZ11411 | AR48675 | RE524562 | Thermostat,82c,Code:2201,2205,2207 |
| 1 | OZ11406 | AR61538 | RE64354 | Thermostat,82c (Saran ENGINES) |
| 2 | OZ11909 | T19044 | | Oil Filter |
| 3 | OZ11914 | RE31929 | RE10869 | Oil Cooler, 8 Plate (4039D) |
| 3 | OZ11913 | RE61767 | RE38077 | Oil Cooler 6 Plate (4039T) |
| 4 | OT11924 | RE62342 | DD15114 | Switch,Oil Code: 7601 |
| 4 | OZ11805 | AT85174 | AR27977 | Switch,Oil Code:7602,7603,9119 |
| 4 | OT11925 | RE503867 | | Switch,Oil Code:7622 |
| 5 | OT11926 | RE10191 | | Dipstick, Code:4002,4014 |
| 5 | OT11931 | AT135260 | | Switch,Temp.1/2"-14NPTF (12V - 24V) |
| 6 | OT11927 | RE49440 | | Dipstick, Code:4002 |
| 6 | OT11928 | RE46787 | | Dipstick,Code:4004 |
| 6 | OT11929 | AT23141 | | Dipstick,LGTH 494mm, Code:4005,4025 |
| 6 | OZ11908 | AR78192 | AT21534 | Dipstick,LGTH 270mm, Code:4004,4005,4006,4022,4023 |
| 6 | OT11930 | RE56302 | | Dipstick, LGTH 235mm Code:4024,4026,4033 |
| 6 | OT11931 | AT135260 | | Switch,Temp.1/2"-14NPTF (12V - 24V) |

Fuel System



| Key | Ozgun No | OEM No | SUB No | Description |
|-----|----------|----------|----------|--|
| 1 | OZ11613 | RE527115 | DD13483 | Fuel Pump Code:3703,3706,3708 (Marine ENGINES Code 3 0) |
| 2 | OT11932 | RE38009 | | Fuel Pump Code:3712 |
| 3 | OT11933 | RE55390 | | Fuel Pump Code:3701,3702,3704,3707 |
| 4 | OT11934 | AH130127 | AH107362 | Fuel Pump,Electirical (Code:9123 Saran ENGINES) |
| 5 | OT11935 | RE62418 | RE64449 | Filter Element,Single A=91mm [(4039T) Code:3501 483409->] |
| 5 | OT11936 | RE62419 | RE509031 | Filter Element,Single A=109mm Code:[(4039D) Code:3509 483409->] |
| 5 | OT11937 | RE60021 | | Filter Element,Single A=71mm Code: 3567,3599 |
| 6 | OZ11615 | AR50041 | | Fuel Filter (4039D/T <-483408) |
| 7 | OZ11013 | RE38087 | RE36939 | Nozzle (4039T) |
| 7 | OZ11012 | RE36936 | RE36935 | Nozzle (4039D) |
| 8 | OZ11007 | AR85618 | | Kit |
| 9 | OZ11008 | R79605 | | Seal |
| 10 | OZ11003 | R60746 | R34764 | Seal |
| 11 | OZ11004 | R48000 | R34767 | Seal |
| 12 | OZ11005 | R34760 | | Clamp |
| 13 | OZ10624 | AR85710 | AT27917 | Gear,Fuel Pump |

Gasket Set

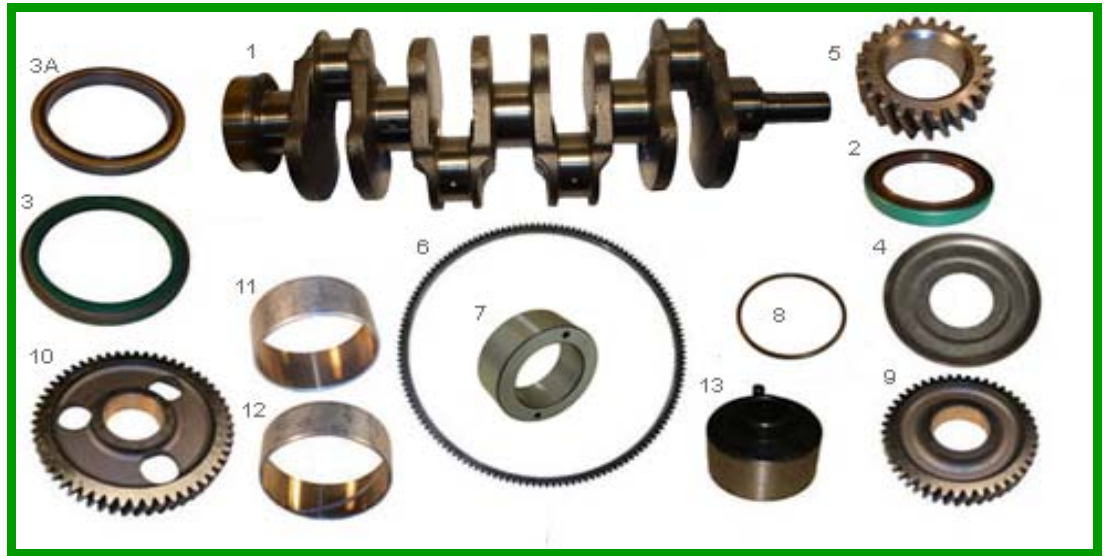


| Key | Ozgun No | OEM No | SUB No | Description |
|-----|----------|----------|--------------------|--------------------------------------|
| 1 | OZ11202 | R125863 | R92425 R59448 | Head Gasket |
| 2 | OZ11205 | RE524748 | RE38857 AR71998 | Full Gasket |
| 3 | OZ11841 | RE526668 | RE38851 | Top Gasket |
| 4 | OZ11214 | R97342 | R49515 | Gasket,Oil Pan |
| 5 | OZ11211 | R73521 | T20075 | Gasket,Rocker Cover |
| 5 | OZ11816 | R106796 | | O-Ring Rocker Cover, (Saran Engines) |

300 SERIES 4.045D/T ENGINES

| | |
|--------------------------------------|--|
| ENGINE TYPE / SERIAL / SERIES | 4045D / / 300 |
| CYL / BORE (MM) / PIN (MM) | 4 / 106,50 / 41,00 |
| DETAILS | liter designated,[piston RE28919] |
| AGRICULTURAL | TRACTOR MODEL; 3300,3300X,3310,3310X,6100 |
| INDUSTRIAL | BACKHOE LOADER; 410C(178962->),410D,510B LOADER; 344E (362469->) SKIDDER; 340D,540B (Early Engine) EXCAVATOR; 490D(300000->) CRAWLER; 450E(Bulldozer),450G(Bulldozer 300000->),450ELT(Bulldozer 300000->),455E (Loader),455G (Loader 300000->),550 (Bulldozer 300000->),550B (Bulldozer 300000->),550G (Bulldozer 300000->),555B (Loader) FELLER BUNCHER; 493D (300000->) |
| GENERATOR | |
| ENGINE TYPE / SERIAL / SERIES | 4045T / / 300 |
| CYL / BORE (MM) / PIN (MM) | 4 / 106,50 / 41,00 |
| DETAILS | piston RE48469 |
| AGRICULTURAL | TRACTOR MODEL; 6400,6400L,SE6400,6500,6500L,6510S |
| INDUSTRIAL | BACKHOE LOADER; 510C (177226->),510D,610B (177226->) LOADER; 344G, 444E (362469->),444G SKIDDER; 440D(201307->),448D(201307->),540B(Late Engine),540D(216422->),540E(<-362468),548D (216422->),548E(<-362468) EXCAVATOR; 490E,495D(300000->),590D(300000->),595(Late Engine), 595D(300000->) CRAWLER; 450C(Loader, Late Engine),550(Buldozer 300000->), 555 (Loader,Late Engine),550A(Late Engine,Bulldozer),555A(Late Engine,Loader) |
| GENERATOR | |

Crankshaft and compenents



| Key | Ozgun No | OEM No | SUB No | Description |
|-----|----------|----------|---------|---|
| 1 | OT10701 | RE54883 | DD15339 | Crankshaft Kit,A=60mm, 4704,4708 |
| 1 | OT10703 | RE55452 | RE57661 | Crankshaft, (Long Nose) |
| 1 | OT12400 | RE504638 | RE50618 | Crankshaft,4045D, (←799999) |
| 1 | OT12401 | RE506195 | | Crankshaft With Taper Nose,For Short Block RE520377,4045T |
| 2 | OZ10021 | AR67942 | AT21608 | Seal,Front |
| 3 | OZ10020 | RE44574 | | Seal,Rear |
| 3A | OT10001 | AR92893 | AT22965 | Seal,Rear |
| 4 | OZ10022 | T20046 | | Silinger,Seal Front |
| 5 | OZ10023 | T20094 | | Gear,Crankshaft |
| 5 | OT11902 | R100850 | | Gear,Crankshaft, |
| 6 | OZ11804 | R114282 | T20088 | Ring Gear |
| 7 | OZ10050 | R81989 | T30413 | Sleeve |
| 8 | OT10704 | H35244 | | O-Ring |
| 9 | OZ10617 | AR91660 | AT18009 | Gear,Cranshaft Idler,Up |
| 10 | OZ10618 | AT24252 | T26322 | Gear,Cranshaft Idler,Low |
| 11 | OZ10622 | T20034 | | Bush,Up |
| 12 | OZ10620 | T26321 | | Bush,Low |
| 13 | OZ10619 | R109863 | T26323 | Pin |

Overhaul Kit



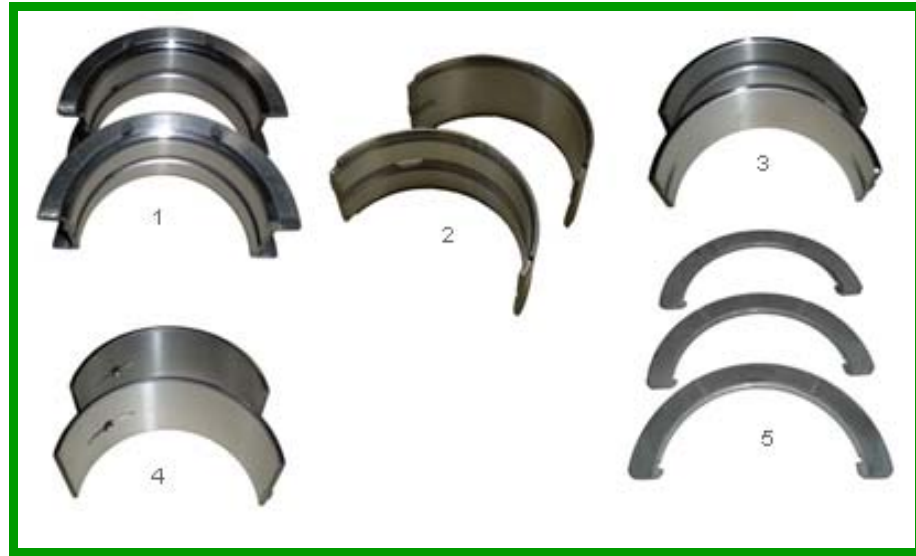
| Ozgur No | OEM No | Kit contents | | | Description |
|----------|----------------------|----------------|--------------------|---------------|---------------------|
| OZ04045D | RE525000, AT86988 | Part No | Description | Pieces | Overhaul Kit, 4045D |
| | | RE28966 | Piston Kit | 4 | |
| | | OZ10034 | Bearing Set,Std | 1 | |
| | | R98062 | Valve,Intake,Std | 4 | |
| | | R90692 | Valve,Exhaust,Std | 4 | |
| | | R57451 | Bushing | 4 | |
| | | AR67942 | Seal,Front | 1 | |
| | | RE44574 | Seal,Rear | 1 | |
| RE524751 | Full Gasket | 1 | | | |
| OZ04045T | RE524997, RE61612 | Part No | Description | Pieces | Overhaul Kit, 4045T |
| | | RE28977 | Piston Kit | 4 | |
| | | OZ10034 | Bearing Set,Std | 1 | |
| | | R98062 | Valve,Intake,Std | 4 | |
| | | R90692 | Valve,Exhaust,Std | 4 | |
| | | R57451 | Bushing | 4 | |
| | | AR67942 | Seal,Front | 1 | |
| | | RE44574 | Seal,Rear | 1 | |
| RE524751 | Full Gasket | 1 | | | |

Piston Kit



| Key | Ozgun No | OEM No | SUB No | Description |
|-----|----------|----------|---------|--------------------------|
| 1 | OT12003 | RE28966 | RE47862 | Piston-Liner Kit (4045D) |
| 1 | OT11303 | RE53073 | RE28977 | Piston-Liner Kit (4045T) |
| 2 | OT12004 | RE28919 | | Piston,W/Alfini (4045D) |
| 2 | OZ10311 | RE48469 | RE28920 | Piston,W/Alfini (4045T) |
| 3 | OZ10208 | RE507852 | RE66820 | Ring |
| 4 | OZ10297 | R121867 | R80500 | Liner |
| 5 | OZ10214 | AR65507 | AR68318 | Seal Kit Viton |
| 5 | OT10200 | DD13277 | | Seal Kit Silicon |
| 6 | OZ10030 | R124230 | R56188 | Pin,Piston |
| 7 | OT10201 | R54114 | | Snap Ring |

Bearing



| Key | Ozгур No | OEM No | SUB No | Description |
|-----|----------|----------|---------|---|
| 1 | OZ10010 | RE521350 | AT21139 | Thrust Bearing,Std[4039D/T(<-382468)] |
| 1 | OZ10011 | RE526754 | AT21132 | Thrust Bearing,010[4039D/T(<-382468)] |
| 1 | OZ10012 | RE527235 | AT21134 | Thrust Bearing,020[4039D/T(<-382468)] |
| 1 | OZ10013 | RE527236 | AT21136 | Thrust Bearing,030[4039D/T(<-382468)] |
| 2 | OT11903 | RE60350 | RE57279 | Thrust Main Bearing,Std.[4045D/T(382469->)] |
| 2 | OT12000 | RE27351 | | Thrust Main Bearing,010[4045D/T(382469->)] |
| 2 | OT12001 | RE27359 | | Thrust Main Bearing,020[4045D/T(382469->)] |
| 2 | OT12002 | RE27366 | | Thrust Main Bearing,030[4045D/T(382469->)] |
| 3 | OZ10005 | RE27352 | AT21140 | Main Bearing,Std.(4039D/T) |
| 3 | OZ10006 | RE27353 | AT21110 | Main Bearing,010(4039D/T) |
| 3 | OZ10007 | RE27360 | AT21112 | Main Bearing,020(4039D/T) |
| 3 | OZ10008 | RE27368 | AT21114 | Main Bearing,030(4039D/T) |
| 4 | OZ10015 | RE27348 | AT21138 | Con Rod Bearing, Std.(4039D/T) |
| 4 | OZ10016 | RE27349 | AT21124 | Con Rod Bearing, 010(4039D/T) |
| 4 | OZ10017 | RE27358 | AT21126 | Con Rod Bearing, 020(4039D/T) |
| 4 | OZ10018 | RE27364 | AT21128 | Con Rod Bearing, 030(4039D/T) |
| 5 | OT11904 | RE13571 | | Thrust Washer Set,Std[4039D/T(382469->)] |
| 5 | OT11905 | AR95932 | | Thrust Washer Set,.007"[4039D/T(382469->)] |
| | OZ10034 | OZ10034 | | Bearing Set,Std. ,(Kit contents: RE521350 , RE27352, 3 pcs, RE27348,3 pcs) |
| | OZ10035 | OZ10035 | | Bearing Set,010, (Kit contents: RE526754, RE27353, 3 pcs, RE27349,3 pcs) |
| | OZ10036 | OZ10036 | | Bearing Set,020 ,(Kit contents: RE527235, RE27360, 3 pcs, RE27358,3 pcs) |
| | OZ10037 | OZ10037 | | Bearing Set,030 ,(Kit contents: RE527236, RE27368, 3 pcs, RE27364,3 pcs) |

Connecting rod and Balancer shaft



| Key | Ozgur No | OEM No | SUB No | Description |
|-----|----------|---------|---------|--------------------------|
| 1 | OT11305 | RE53716 | AR66400 | Connecting Rod |
| 2 | OZ10217 | R57451 | R56186 | Bushing, Conrod |
| 3 | OT11306 | R74195 | R56445 | Bolt, Conrod |
| 4 | OZ10637 | RE53082 | AR69710 | Balancer Shaft, Rh |
| 5 | OZ10635 | RE56351 | AR69711 | Balancer Shaft, Lh |
| 6 | OZ10610 | R57160 | R119210 | Bush Std, Balancer Shaft |
| 7 | OZ10611 | T20193 | R88112 | Plate, Balancer Shaft |
| 8 | OT10202 | RE63913 | | Pin Kit, 41 mm |

Valve and Camshaft



| Key | Ozgur No | OEM No | SUB No | Description |
|-----|----------|----------|---------|---|
| 1 | OT11907 | R98062 | | Valve,Intake,Std |
| 1 | OT11908 | | | Valve, Intake,003 |
| 1 | OT11909 | R97490 | | Valve,Intake,015 |
| 2 | OT11910 | R90692 | | Valve,Exhaust,Std |
| 2 | OT11911 | | | Valve,Exhaust,003 |
| 2 | OT11912 | R97492 | | Valve,Exhaust,015 |
| 3 | OZ10415 | R82820 | AR79623 | Camshaft W/O Gear A=28mm |
| 3 | OT11913 | RE14972 | R115335 | Camshaft W/O Gear A=40mm(Saran Engines) |
| 4 | OZ10417 | T20070 | | Gear,Helicoid Tooth |
| 5 | OZ10408 | R82896 | T20310 | Push Rod[(CODE 4901) (<-379968)] |
| 5 | OT10713 | R83429 | R54799 | Push Rod[CODE 4902 (<-379968) |
| 5 | OT11914 | R107732 | | Push Rod[CODE 4901 (379969->)] |
| 5 | OT11915 | R107731 | | Push Rod[CODE 4902 (379969->)] |
| 6 | OZ10407 | T20073 | | Tappet |
| 7 | OT10714 | RE31617 | | Seal,Std |
| 8 | OT11916 | R91889 | | Lock, Retainer |
| 9 | OT11917 | RE60005 | RE31323 | Rototor |
| 10 | OZ10410 | R26125 | | Spring |
| 11 | OT11918 | R98063 | R106831 | Valve Seat Insert,Intake |
| 11 | OT11919 | R98335 | | Valve Seat Insert,Intake (OS) |
| 12 | OT11920 | R85687 | R106829 | Valve Seat Insert,Exhaust |
| 12 | OT11921 | R93910 | | Valve Seat Insert,Exhaust (OS) |
| 13 | OZ10409 | RE508317 | RE31973 | Rocker Arm(<-379968) |
| 13 | OT11922 | RE62148 | RE43384 | Rocker Arm(379969->) |
| 14 | OZ10418 | RE519736 | R54987 | Shaft |
| 15 | OZ10421 | R123161 | T20315 | Support, Rocker Arm Shaft |

Oil Pump



| Key | Ozgur No | OEM No | SUB No | Description |
|-----|----------|---------|---------|---|
| 1 | OZ10628 | RE51497 | AR79465 | Oil Pump Assy With Adapter (<-427006) Code:5003 |
| 2 | OZ10601 | RE52020 | RE35685 | Oil Pump Assy(427007->)Code:5003 |
| 3 | OZ10623 | RE15381 | | Oil Pump,W/O Cover,(427007->) |
| 4 | OZ10630 | RE15490 | | Housing,Oil Pump With Adapter (<-427006) |
| 5 | OZ10602 | AR62979 | | Housing,Oil Pump(427007->) |
| 6 | OZ10604 | R54614 | | Gear,Oil Pump(427007->) |
| 7 | OZ10626 | R66177 | R54631 | Gear,Oil Pump(<-427006) |
| 8 | OZ10603 | AR62978 | | Shaft Gear,Oil Pump(427007->) |
| 9 | OZ10625 | AR85788 | AR63038 | Shaft Gear,Oil Pump(<-427006) |
| 10 | OZ10612 | T20298 | | Gear,Oil Pump |
| 11 | OZ10627 | R54632 | | Cover Oil Pump(<-427006) |
| 11 | OZ10605 | R53382 | | Cover,Oil Pump(427007->) |
| 12 | OT11923 | R113752 | | Tube,Oil Pump, for RE55343 |
| 12 | OT12005 | R79561 | | Tube,Oil Pump(<-427006) |
| 12 | OZ10613 | T20050 | | Tube,Oil Pump, for RE35685 |
| 13 | OZ10606 | RE36425 | AR60701 | Strainer,Oil Pump, for RE35685 |

Oil Cooler and Oil Filter



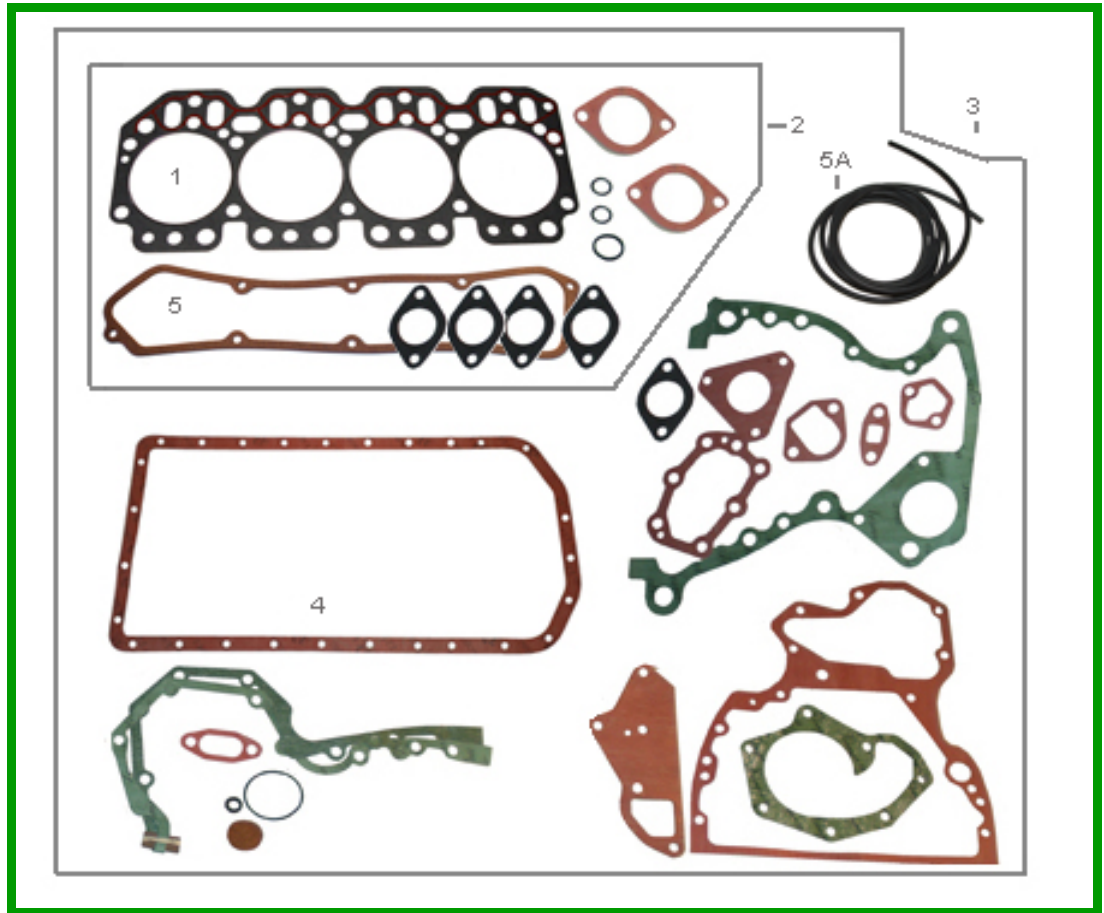
| Key | Ozgur No | OEM No | SUB No | Description |
|-----|----------|----------|---------|--|
| 1 | OZ11406 | AR61538 | RE64354 | Thermostat,82c |
| 2 | OZ11909 | T19044 | | Oil Filter |
| 3 | OT10717 | RE31089 | AR65812 | Oil Cooler, (Code:5901 4045D) (Code:5904 4045T) |
| 3 | OT12006 | RE61769 | RE38078 | Oil Cooler,8 Plate,Code:5911,5912,5913,5919,5921 |
| 4 | OZ11805 | AT85174 | AR27977 | Switch,Oil,Code: 7602,7603,7606 |
| 4 | OT11925 | RE503867 | | Switch,Oil,Code:7622 |
| 5 | OT11926 | RE10191 | | Dipstick, Code:4002 |
| 5 | OT11928 | RE46787 | | Dipstick,Code:4004 |
| 5 | OT11929 | AT23141 | | Dipstick,LGTH 494mm, Code:4005,4025 |
| 5 | OZ11908 | AR78192 | AT21534 | Dipstick,LGTH 270mm,Code:4001,4003, 4004,4005, 4006,4007,4019,4020,4022,4023 |
| 5 | OT12007 | RE66178 | | Dipstick,Code:4038 |
| 5 | OT11930 | RE56302 | | Dipstick, LGTH 235mm,Code:4024,4026,4033 |
| 6 | OT11931 | AT135260 | | Switch,Temp.1/2"-14NPTF (12V - 24V) |
| 6 | OT12008 | AZ35440 | | Switch,Temp.1/2"-14NPTF (6V - 24V)Code:6603 |
| 6 | OZ12406 | RE51774 | AL24527 | Switch, Water Temp. |

Fuel System



| Key | Ozгур No | OEM No | SUB No | Description |
|-----|----------|----------|----------|--|
| 1 | OZ11613 | RE527115 | DD13483 | Fuel Pump 4045T (Code: 3702 Marine Engines) 3706 |
| 2 | OT11933 | RE55390 | | Fuel Pump (4045T Code:3712) (4045D Code: 3709) |
| 3 | OT11934 | AH130127 | AH107362 | Fuel Pump,Electirical,Code:9123 |
| 4 | OT11935 | RE62418 | RE64449 | Filter Element,Single,A= 91.5mm, Code:3506,3508,3519,3520 Code:3510 421307->) |
| 4 | OT11936 | RE62419 | RE509031 | Filter Element,Single,A=109mm,Code: 3511 |
| 5 | OZ11615 | AR50041 | | Fuel Filter (4045d/T <-421306) |
| 6 | OZ11013 | RE38087 | RE36939 | Nozzle (4045T) |
| 6 | OZ11012 | RE36936 | RE36935 | Nozzle (4045D) |
| 7 | OZ11007 | AR85618 | | Kit |
| 8 | OZ11008 | R79605 | | Seal |
| 9 | OZ11003 | R60746 | R34764 | Seal |
| 10 | OZ11004 | R48000 | R34767 | Seal |
| 11 | OZ11005 | R34760 | | Clamp |
| 12 | OZ10624 | AR85710 | AT27917 | Gear,Fuel Pump |

Gasket Set



| Key | Ozgun No | OEM No | SUB No | Description |
|-----|----------|----------|----------|---|
| 1 | OZ11202 | R125863 | R92425 | Head Gasket |
| 2 | OT10720 | RE524751 | RE501568 | Full Gasket |
| 3 | OZ11841 | RE526668 | RE38851 | Top Gasket |
| 4 | OZ11214 | R97342 | R49515 | Gasket,Oil Pan,Code:1908 |
| 4 | OT12009 | R522030 | T24535 | Gasket,Oil Pan,Code:1901, 1903,1906 |
| 5A | OZ11816 | R106796 | | O-Ring,Rocker Cover,Code:1101,1102,1104 |
| 5 | OZ11211 | R73521 | T20075 | Gasket,Rocker Cover,Code:1106, 1110 |

300 SERIES 6.059D/T ENGINES

| | |
|--------------------------------------|--|
| ENGINE TYPE / SERIAL / SERIES | 6059D / / 300 |
| CYL / BORE (MM) / PIN (MM) | 6 / 106,50 / 35,00 |
| DETAILS | piston RE19282 |
| AGRICULTURAL | |
| INDUSTRIAL | MOTOR GRADER; 570B (non turbo 300000->) |
| GENERATOR | |
| ENGINE TYPE / SERIAL / SERIES | 6059T / / 300 |
| CYL / BORE (MM) / PIN (MM) | 6 / 106,50 / 41,00 |
| DETAILS | piston RE19278,RE19279 |
| AGRICULTURAL | TRACTOR MODEL; 6600,7200 COTTON PICKER,STRIPPER; 7445 (300000->), 7450,9930 (300000->) |
| INDUSTRIAL | BACKHOE LOADER; 710C(300000->),710D(<-713823) LOADER; 544B(300000->), 544E (362469->),544G SKIDDER; 540E (362469->),540G (<-701059), 548E (362469->),548G (<-701059) |
| GENERATOR | |

Crankshaft



| Key | Ozgun No | OEM No | SUB No | Description |
|-----|----------|---------|---------|---|
| 1 | OZ10003 | AT22562 | RE45541 | Crankshaft A=60mm |
| 2 | OZ10021 | AR67942 | AT21608 | Seal,Front |
| 3 | OZ10020 | RE44574 | | Seal,Rear |
| 3a | OT10001 | AR92893 | AT22965 | Seal,Rear |
| 4 | OZ10022 | T20046 | | Silinger,Seal Front |
| 5 | OZ10023 | T20094 | | Gear,Crankshaft |
| 6 | OZ10050 | R81989 | T30413 | Sleeve |
| 7 | OZ11804 | R114282 | T20088 | Ring Gear,Code:1501,1504 |
| 7 | OZ11814 | R28811 | | RingGear,Code:1502,1503, 1505, 1507, 1525 |
| 8 | OZ10617 | AR91660 | AT18009 | Gear,Cranshaft Idler,Up |
| 9 | OZ10618 | AT24252 | T26322 | Gear,Cranshaft Idler,Low |
| 10 | OZ10622 | T20034 | | Bush,Up |
| 11 | OZ10620 | T26321 | | Bush,Low |
| 12 | OZ10619 | R109863 | T26323 | Pin |
| 13 | OT10704 | H35244 | | O-Ring |

Overhaul Kit



| Ozgun No | OEM No | Kit contents | | | Description |
|----------|----------------------|--------------|-------------------|--------|----------------------|
| | | Part No | Description | Pieces | |
| OZ06059D | RE526998, RE70677 | RE30250 | Piston Kit | 6 | Overhaul Kit(6059D) |
| | | OZ10044 | Bearing set | 1 | |
| | | R98062 | Valve,Intake,Std | 6 | |
| | | R90692 | Valve,Exhaust,Std | 6 | |
| | | R55647 | Bushing | 6 | |
| | | AR67942 | Seal,Front | 1 | |
| | | RE44574 | Seal,Rear | 1 | |
| | | RE527022 | Full Gasket | 1 | |
| OZ06059T | RE526994, RE61616 | RE22678 | Piston Kit | 6 | Overhaul Kit (6059T) |
| | | OZ10044 | Bearing set | 1 | |
| | | R98062 | Valve,Intake,Std | 6 | |
| | | R90692 | Valve,Exhaust,Std | 6 | |
| | | R57451 | Bushing | 6 | |
| | | AR67942 | Seal,Front | 1 | |
| | | RE44574 | Seal,Rear | 1 | |
| | | RE527022 | Full Gasket | 1 | |

Piston Kit



| Key | Ozgur No | OEM No | SUB No | Description |
|-----|----------|----------|---------|--|
| 1 | OZ10245 | RE30250 | RE24458 | Piston-Liner Kit (6059D) |
| 1 | OZ10246 | RE22678 | RE33115 | Piston-Liner Kit (6059T) |
| 2 | OZ10205 | RE19282 | AR79868 | Piston,W/Alfini (6059D) |
| 2 | OZ10206 | RE19278 | AR71067 | Piston,W/Alfini (6059T) |
| 3 | OZ10208 | RE507852 | RE66820 | Ring (6059D/T) |
| 4 | OZ10211 | R116281 | R51726 | Liner, (6059D/T) |
| 5 | OZ10214 | AR65507 | AR68318 | Seal Kit Viton (6059D/T) |
| 5 | OT10200 | DD13277 | | Seal Kit Silicon |
| 6 | OZ10029 | R125754 | R51731 | Pin,Piston (6059D) |
| 6 | OZ10030 | R124230 | R56188 | Pin,Piston (6059T) |
| 7 | OZ10027 | M41029 | | Snap Ring (6059D) |
| 7 | OT10201 | R54114 | | Snap Ring (6059T) |
| 8 | OZ10218 | RE21076 | RE16495 | Connecting Rod (6059D) |
| 8 | OZ10303 | RE42733 | RE16494 | Connecting Rod (6059T) |
| 9 | OZ10216 | R55647 | R51728 | Bushing,Conrod (6059D) |
| 9 | OZ10217 | R57451 | R56186 | Bushing,Conrod (6059T) |
| 10 | OZ10219 | R74194 | T20009 | Bolt,Conrod, for AR55978 (6059D) |
| 10 | OZ10250 | R80033 | | Bolt,Conrod, for RE21076, RE15465, RE42733 |
| 11 | OT10102 | RE63914 | | Pin Kit.35 mm(6059D) |
| 11 | OT10202 | RE63913 | | Pin Kit,41 mm(6059T) |

Bearing



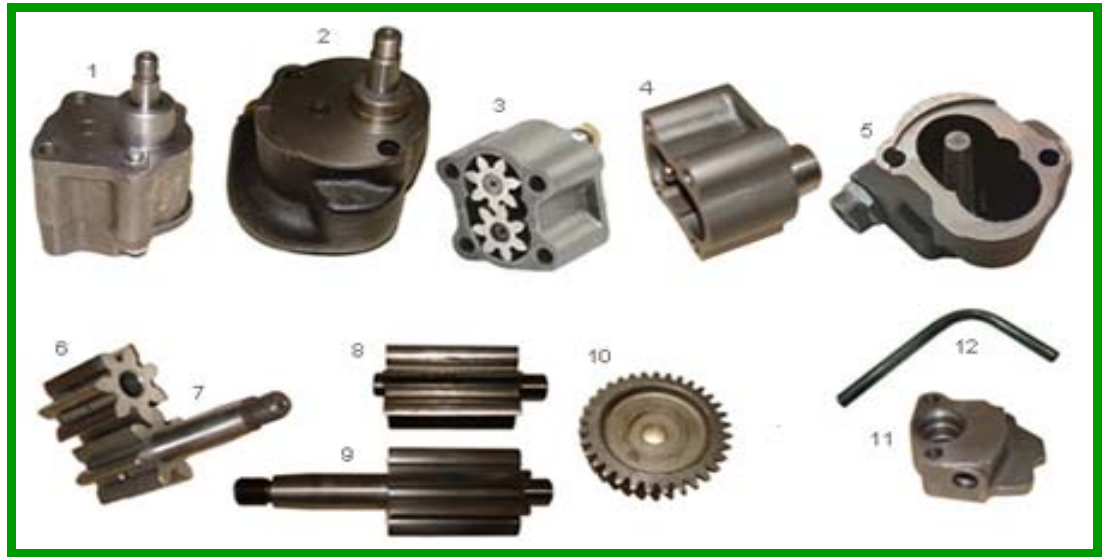
| Key | Ozgur No | OEM No | SUB No | Description |
|-----|----------|----------|---------|--|
| 1 | OZ10010 | RE521350 | AT21139 | Thrust Bearing,Std(6059D/T) |
| 1 | OZ10011 | RE526754 | AT21132 | Thrust Bearing,010(6059D/T) |
| 1 | OZ10012 | RE527235 | AT21134 | Thrust Bearing,020(6059D/T) |
| 1 | OZ10013 | RE527236 | AT21136 | Thrust Bearing,030(6059D/T) |
| 1 | OZ10014 | AT21122 | | Thrust Bearing,040(6059D/T) |
| 2 | OZ10005 | RE27352 | AT21140 | Main Bearing,Std.(6059D/T) |
| 2 | OZ10006 | RE27353 | AT21110 | Main Bearing,010(6059D/T) |
| 2 | OZ10007 | RE27360 | AT21112 | Main Bearing,020(6059D/T) |
| 2 | OZ10008 | RE27368 | AT21114 | Main Bearing,030(6059D/T) |
| 2 | OZ10009 | AT21108 | | Main Bearing,040(6059D/T) |
| 3 | OZ10015 | RE27348 | AT21138 | Con Rod Bearing, Std.(6059D/T) |
| 3 | OZ10016 | RE27349 | AT21124 | Con Rod Bearing, 010(6059D/T) |
| 3 | OZ10017 | RE27358 | AT21126 | Con Rod Bearing, 020(6059D/T) |
| 3 | OZ10018 | RE27364 | AT21128 | Con Rod Bearing, 030(6059D/T) |
| 3 | OZ10019 | AT21122 | | Con Rod Bearing, 040(6059D/T) |
| 4 | OZ10044 | | | Bearing Set,Std. (Kit contents: RE521350 , RE27352,6 pcs, RE27348,6 pcs) |
| 4 | OZ10045 | | | Bearing Set,010, (Kit contents: RE526754, RE27353,6 pcs, RE27349,6 pcs) |
| 4 | OZ10046 | | | Bearing Set,020 , (Kit contents: RE527235, RE27360,6 pcs, RE27358,6 pcs) |
| 4 | OZ10047 | | | Bearing Set,030 , (Kit contents: RE527236, RE27368,6 pcs, RE27364,6 pcs) |
| 4 | OZ10048 | | | Bearing Set,040 , (Kit contents: AT21122, AT21108,6 pcs, AT21122,6 pcs) |

Valve and Camshaft



| Key | Ozгур No | OEM No | SUB No | Description |
|-----|----------|----------|---------|---|
| 1 | OT11907 | R98062 | | Valve,Intake,Std |
| 1 | OT11908 | | | Valve, Intake,003 |
| 1 | OT11909 | R97490 | | Valve,Intake,015 |
| 2 | OT11910 | R90692 | | Valve,Exhaust,Std |
| 2 | OT11911 | | | Valve,Exhaust,003 |
| 2 | OT11912 | R97492 | | Valve,Exhaust,015 |
| 3 | OT12502 | RE56578 | R135440 | Camshaft,W/O Gear, 6068D, T,H, 6068HRRW01, TP057, TP058, Code:4603,4604, 4624 |
| 3 | OT12503 | RE515611 | R515245 | Camshaft,W/O Gear, 6068H, 6068HRW62, Code:4611 |
| 3 | OT12504 | RE507149 | R504535 | Camshaft,W/O Gear, 6068H, 6068HRW60,HRW71,Code:4613 |
| 4 | OT12438 | R133812 | R120633 | Gear,Camshaft |
| 5 | OZ10408 | R82896 | T20310 | Push Rod(<-379968) |
| 5 | OT11914 | R107732 | | Push Rod (379969-) |
| 6 | OZ10407 | T20073 | | Tappet |
| 7 | OT10714 | RE31617 | | Seal,Std |
| 8 | OT11916 | R91889 | | Lock, Retainer |
| 9 | OT11917 | RE60005 | RE31323 | Rototor |
| 10 | OZ10410 | R26125 | | Spring |
| 11 | OT11918 | R98063 | R106831 | Valve Seat Insert,Intake |
| 12 | OT11920 | R85687 | R106829 | Valve Seat Insert,Exhaust |
| 13 | OZ10409 | RE508317 | RE31973 | Rocker Arm(<-379968) |
| 13 | OT11922 | RE62148 | RE43384 | Rocker Arm(379969->) |
| 14 | OZ10423 | R123514 | R54986 | Shaft |
| 15 | OZ10421 | R123161 | T20315 | Support, Rocker Arm Shaft |

Oil Pump



| Key | Ozgur No | OEM No | SUB No | Description |
|-----|----------|---------|---------|---|
| 1 | OZ10601 | RE52020 | RE35685 | Oil Pump Assy,Code:5005 |
| 2 | OZ10628 | RE51497 | AR79465 | Oil Pump Assy With Adapter,Code:5001,5004 |
| 3 | OZ10623 | RE15381 | | Oil Pump,W/O Cover,Code:5005 |
| 4 | OZ10602 | AR62979 | | Housing,Oil Pump for RE35685 |
| 5 | OZ10630 | RE15490 | | Housing,Oil Pump With Adapter for RE51497 |
| 6 | OZ10604 | R54614 | | Gear,Oil Pump RE35685 |
| 7 | OZ10603 | AR62978 | | Shaft Gear,Oil Pump for RE35685 |
| 8 | OZ10626 | R66177 | R54631 | Gear,Oil Pump for RE51497 |
| 9 | OZ10625 | AR85788 | AR63038 | Shaft Gear,Oil Pump for RE51497 |
| 10 | OZ10612 | T20298 | | Gear,Oil Pump |
| 11 | OZ10627 | R54632 | | Cover Oil Pump, for RE51497 |
| 11 | OZ10605 | R53382 | | Cover,Oil Pump, for RE35685 and RE55343 |
| 12 | OZ10613 | T20050 | | Tube,Oil Pump,for RE35685 |
| 12 | OT11923 | R113752 | | Tube,Oil Pump,for RE55343 |
| 12 | OT12101 | R79564 | | Tube,Oil Pump, for RE51497 |

Oil Cooler and Oil Filter



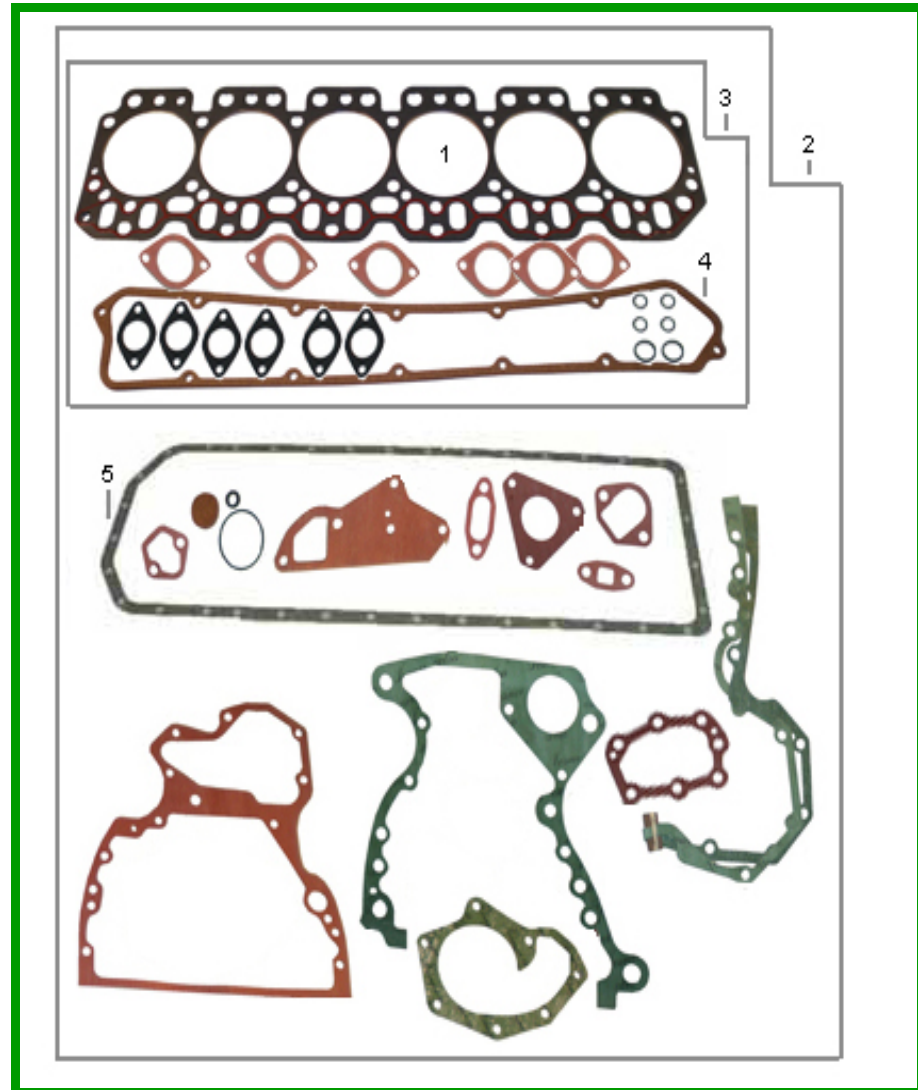
| Key | Ozgur No | OEM No | SUB No | Description |
|-----|----------|---------|----------|------------------------------|
| 1 | OZ11411 | AR48675 | RE524562 | Thermostat,82c |
| 2 | OZ11909 | T19044 | | Oil Filter |
| 3 | OZ11914 | RE31929 | RE10869 | Oil Cooler 8plate |
| 4 | OZ11805 | AT85174 | AR27977 | Switch,Oil |
| 5 | OZ12406 | RE51774 | AL24527 | Switch, Water Temp. |
| 6 | OZ11908 | AR78192 | AT21534 | Dipstick,Code:4001,4002,4005 |
| 6 | OT11928 | RE46787 | | Dipstick,Code:4002,4004,4006 |

Fuel System



| Key | Ozgur No | OEM No | SUB No | Description |
|-----|----------|----------|----------|--------------------------------|
| 1 | OZ11613 | RE527115 | DD13483 | Fuel Pump Code:3701 (DF092) |
| 2 | OT11933 | RE55390 | | Fuel Pump (181349->) |
| 3 | OT11932 | RE38009 | | Fuel Pump (<-181348) |
| 4 | OZ11615 | AR50041 | | Fuel Filter (<-181348) |
| 5 | OT11935 | RE62418 | RE64449 | Filter Element,(483409->) |
| 5 | OT11936 | RE62419 | RE509031 | Filter Element,(181349-483408) |
| 6 | OZ11013 | RE38087 | RE36939 | Nozzle (6059T) |
| 6 | OZ11012 | RE36936 | RE36935 | Nozzle (6059D) |
| 7 | OZ11007 | AR85618 | | Kit |
| 8 | OZ11008 | R79605 | | Seal |
| 9 | OZ11003 | R60746 | R34764 | Seal |
| 10 | OZ11004 | R48000 | R34767 | Seal |

Gasket Set



| Key | Ozgun No | OEM No | SUB No | Description |
|-----|----------|----------|--------------------|---------------------|
| 1 | OZ11203 | R114157 | R92426 R59449 | Head Gasket |
| 2 | OZ11206 | RE527022 | RE38858 AR74367 | Full Gasket, |
| 3 | OZ11209 | RE527283 | RE38852 | Top Gasket, |
| 4 | OZ11215 | R97344 | T20205 | Gasket,Oil Pan |
| 5 | OZ11212 | R75728 | T20467 | Gasket,Rocker Cover |

300 SERIES 6.068D/T ENGINES

| | |
|--------------------------------------|--|
| ENGINE TYPE / SERIAL / SERIES | 6068D / / 300 |
| CYL / BORE (MM) / PIN (MM) | 6 / 106,50 / 41,00 |
| DETAILS | piston RE28919 |
| AGRICULTURAL | TRACTOR MODEL; 6506 |
| INDUSTRIAL | |
| GENERATOR | |
| ENGINE TYPE / SERIAL / SERIES | 6068T / / 300 |
| CYL / BORE (MM) / PIN (MM) | 6 / 106,50 / 41,00 |
| DETAILS | piston RE48469 |
| AGRICULTURAL | TRACTOR MODEL; 6800,6900,7400,7500(<-001336),7600 COMBINE MODELS; 2054,2254(<-68583),9400(337246-701275) |
| INDUSTRIAL | LOADER; 624E (362469->),624G SKIDDER; 640D(Remastered),640E, 648D(Remastered),648E,548G (<-701059), 640G(<-701059),648G(<-701059) EXCAVATOR; 690D (300000->),690DR (300000->),690ELC (<-704568),790ELC,790DLC CRAWLER; 655B(Loader 300000->),750B(Bulldozer 300000->),750C (Bulldozer <-715797), 755B(Loader 300000->) MOTOR GRADER; 670B (177304->),672B (177304->) FELLER BUNCHER; 643 (300000->),643D,653E (<-713455),693D (300000->) |
| GENERATOR | |

Crankshaft



| Key | Ozgur No | OEM No | SUB No | Description |
|-----|----------|----------|----------|--|
| 1 | OZ10053 | RE502191 | RE500340 | Crankshaft Kit,Long Nose |
| 1 | OT11300 | RE45517 | RE33687 | Crankshaft,Long Nose |
| 2 | OZ10021 | AR67942 | AT21608 | Seal,Front |
| 3 | OZ10020 | RE44574 | | Seal,Rear |
| 3A | OT10001 | AR92893 | AT22965 | Seal,Rear |
| 4 | OZ10022 | T20046 | | Silinger,Seal Front |
| 5 | OZ10023 | T20094 | | Gear,Crankshaft |
| 6 | OZ10050 | R81989 | T30413 | Sleeve |
| 7 | OZ11804 | R114282 | T20088 | Ring Gear,Code:1501,1504 |
| 7 | OZ11814 | R28811 | | Ring Gear, Code:1502,1503,1505,1507,1525 |
| 8 | OZ10617 | AR91660 | AT18009 | Gear,Cranshaft Idler,Up |
| 9 | OZ10618 | AT24252 | T26322 | Gear,Cranshaft Idler,Low |
| 10 | OZ10622 | T20034 | | Bush,Up |
| 11 | OZ10620 | T26321 | | Bush,Low |
| 12 | OZ10619 | R109863 | T26323 | Pin |
| 13 | OT10704 | H35244 | | O-Ring |

Overhaul Kit



| Ozgur No | OEM No | Kit contents | | | Description |
|----------|-----------|--------------|--------------------|--------|----------------------|
| | | Part No | Description | Pieces | |
| OZ06068D | | RE28966 | Piston Kit | 6 | Overhaul Kit (6068D) |
| | | RE521350 | Thrust Bearing,Std | 1 | |
| | | RE27352 | Main Bearing | 6 | |
| | | AR97517 | Con Rod Bearing | 6 | |
| | | R98062 | Valve,Intake,Std | 6 | |
| | | R90692 | Valve,Exhaust,Std | 6 | |
| | | R57451 | Bushing | 6 | |
| | | AR67942 | Seal,Front | 1 | |
| | | RE44574 | Seal,Rear | 1 | |
| | | RE524752 | Full Gasket | 1 | |
| OZ06068T | RE524999 | Part No | Description | Pieces | Overhaul Kit(6068T) |
| | | RE53073 | Piston Kit | 6 | |
| | | RE521350 | Thrust Bearing,Std | 1 | |
| | | RE27352 | Main Bearing | 6 | |
| | | AR97517 | Con Rod Bearing | 6 | |
| | | R98062 | Valve,Intake,Std | 6 | |
| | | R90692 | Valve,Exhaust,Std | 6 | |
| | | R57451 | Bushing | 6 | |
| | | AR67942 | Seal,Front | 1 | |
| RE44574 | Seal,Rear | 1 | | | |
| | | RE524752 | Full Gasket | 1 | |

Piston Kit



| Key | Ozgun No | OEM No | SUB No | Description |
|-----|----------|----------|---------|-------------------------|
| 1 | OT12003 | RE28966 | RE47862 | Piston-Liner Kit(6068D) |
| 1 | OT11303 | RE53073 | RE28977 | Piston-Liner Kit(6068T) |
| 2 | OT12004 | RE28919 | | Piston,W/Alfini(6068D) |
| 2 | OZ10311 | RE48469 | RE28920 | Piston,W/Alfini(6068T) |
| 3 | OZ10208 | RE507852 | RE66820 | Ring |
| 4 | OZ10297 | R121867 | R80500 | Liner |
| 5 | OZ10214 | AR65507 | AR68318 | Seal Kit Viton |
| 5 | OT10200 | DD13277 | | Seal Kit Silicon |
| 6 | OZ10030 | R124230 | R56188 | Pin,Piston |
| 7 | OT10201 | R54114 | | Snap Ring |
| 8 | OZ10303 | RE42733 | RE16494 | Connecting Rod(6068D) |
| 8 | OT11305 | RE53716 | AR66400 | Connecting Rod(6068T) |
| 9 | OZ10217 | R57451 | R56186 | Bushing,Conrod |
| 10 | OZ10250 | R80033 | | Bolt,Conrod |
| 11 | OT10202 | RE63913 | | Pin Kit,41 mm |

Bearing



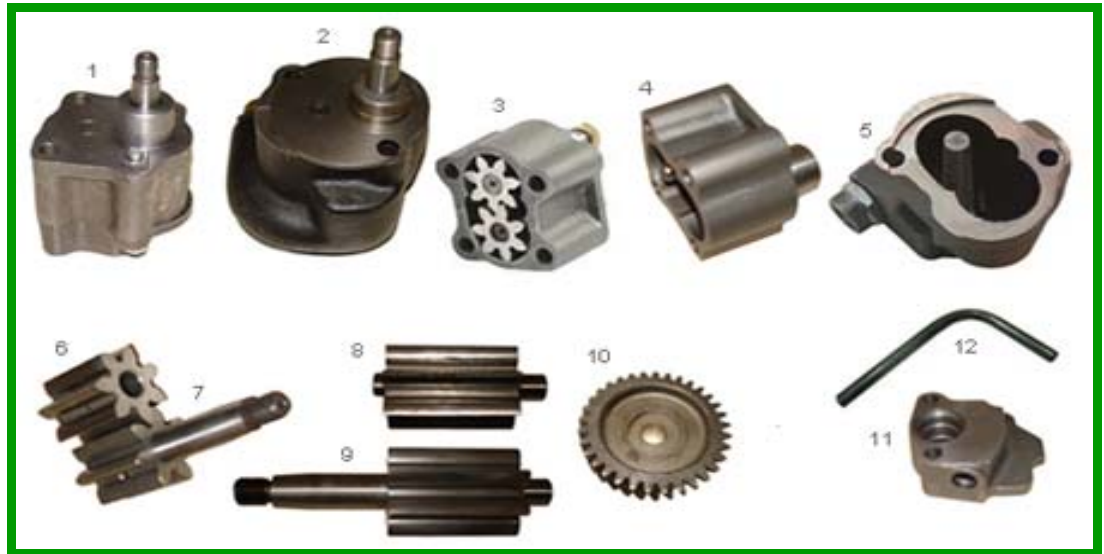
| Key | Ozgun No | OEM No | SUB No | Description |
|-----|----------|----------|---------|-----------------------------|
| 1 | OZ10010 | RE521350 | AT21139 | Thrust Bearing,Std(6059D/T) |
| 1 | OZ10011 | RE526754 | AT21132 | Thrust Bearing,010(6059D/T) |
| 1 | OZ10012 | RE527235 | AT21134 | Thrust Bearing,020(6059D/T) |
| 1 | OZ10013 | RE527236 | AT21136 | Thrust Bearing,030(6059D/T) |
| 1 | OZ10014 | AT21122 | | Thrust Bearing,040(6059D/T) |
| 2 | OZ10005 | RE27352 | AT21140 | Main Bearing,Std.(6059D/T) |
| 2 | OZ10006 | RE27353 | AT21110 | Main Bearing,010(6059D/T) |
| 2 | OZ10007 | RE27360 | AT21112 | Main Bearing,020(6059D/T) |
| 2 | OZ10008 | RE27368 | AT21114 | Main Bearing,030(6059D/T) |
| 2 | OZ10009 | AT21108 | | Main Bearing,040(6059D/T) |
| 3 | OT10705 | AR97517 | AR69098 | Con Rod Bearing, Std. |
| 3 | OT10706 | AR97653 | AR68414 | Con Rod Bearing, 010 |
| 3 | OT10707 | AR97654 | AR68415 | Con Rod Bearing, 020 |
| 3 | OT10708 | AR97655 | AR68416 | Con Rod Bearing, 030 |

Valve and Camshaft



| Key | Ozgun No | OEM No | SUB No | Description |
|-----|----------|----------|---------|---------------------------|
| 1 | OT11907 | R98062 | | Valve,Intake,Std |
| 1 | OT11908 | | | Valve, Intake,003 |
| 1 | OT11909 | R97490 | | Valve,Intake,015 |
| 2 | OT11910 | R90692 | | Valve,Exhaust,Std |
| 2 | OT11911 | | | Valve,Exhaust,003 |
| 2 | OT11912 | R97492 | | Valve,Exhaust,015 |
| 3 | OZ10416 | R82821 | AR79624 | Camshaft, W/O Gear |
| 4 | OZ10417 | T20070 | | Gear,Camshaft |
| 5 | OZ10408 | R82896 | T20310 | Push Rod(<-379968) |
| 5 | OT11914 | R107732 | | Push Rod (379969-) |
| 6 | OZ10407 | T20073 | | Tappet |
| 7 | OT10714 | RE31617 | | Seal,Std |
| 8 | OT11916 | R91889 | | Lock, Retainer |
| 9 | OT11917 | RE60005 | RE31323 | Rotator |
| 10 | OZ10410 | R26125 | | Spring |
| 11 | OT11918 | R98063 | R106831 | Valve Seat Insert,Intake |
| 12 | OT11920 | R85687 | R106829 | Valve Seat Insert,Exhaust |
| 13 | OZ10409 | RE508317 | RE31973 | Rocker Arm(<-379968) |
| 13 | OT11922 | RE62148 | RE43384 | Rocker Arm(379969->) |
| 14 | OZ10423 | R123514 | R54986 | Shaft |
| 15 | OZ10421 | R123161 | T20315 | Support, Rocker Arm Shaft |

Oil Pump



| Key | Ozgur No | OEM No | SUB No | Description |
|-----|----------|---------|---------|--|
| 1 | OZ10601 | RE52020 | RE35685 | Oil Pump Assy(427007->) Code:5003 |
| 2 | OZ10628 | RE51497 | AR79465 | Oil Pump Assy(<-427006) With Adapter Code: 5001,5002 |
| 3 | OZ10623 | RE15381 | | Oil Pump,W/O Cover |
| 4 | OZ10602 | AR62979 | | Housing,Oil Pump for RE35685 |
| 5 | OZ10630 | RE15490 | | Housing,Oil Pump With Adapter for RE51497 |
| 6 | OZ10604 | R54614 | | Gear,Oil Pump RE35685 |
| 7 | OZ10603 | AR62978 | | Shaft Gear,Oil Pump for RE35685 |
| 8 | OZ10626 | R66177 | R54631 | Gear,Oil Pump for RE51497 |
| 9 | OZ10625 | AR85788 | AR63038 | Shaft Gear,Oil Pump for RE51497 |
| 10 | OZ10612 | T20298 | | Gear,Oil Pump |
| 11 | OZ10627 | R54632 | | Cover Oil Pump, for RE51497 |
| 11 | OZ10605 | R53382 | | Cover,Oil Pump, for RE35685 and RE55343 |
| 12 | OT12005 | R79561 | | Tube,Oil Pump, for RE51497 |
| 12 | OZ10613 | T20050 | | Tube,Oil Pump, for RE35685 |

Oil Cooler and Oil Filter



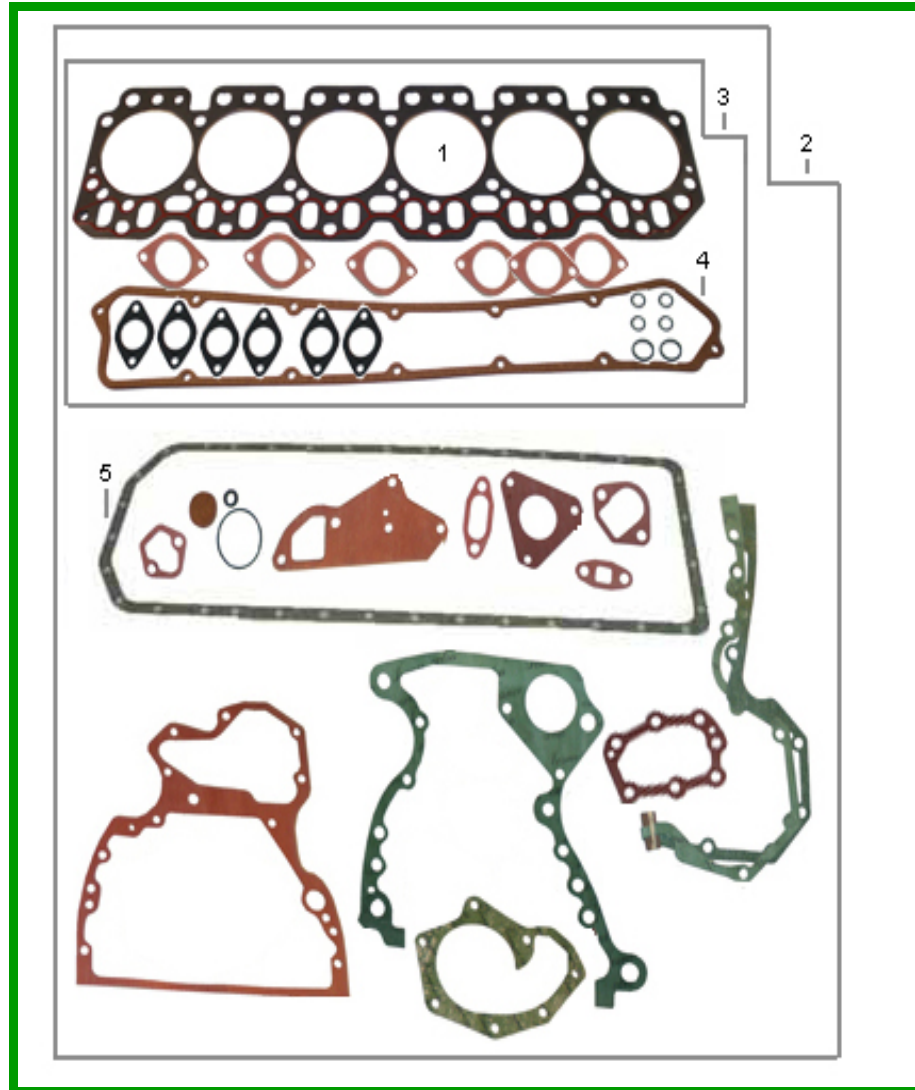
| Key | Ozgur No | OEM No | SUB No | Description |
|-----|----------|---------|----------|------------------------------|
| 1 | OZ11411 | AR48675 | RE524562 | Thermostat,82c |
| 2 | OZ11909 | T19044 | | Oil Filter |
| 3 | OT11308 | RE31286 | AR66405 | Oil Cooler |
| 4 | OZ10805 | AT85174 | AR27977 | Switch,Oil |
| 5 | OZ11908 | AR78192 | AT21534 | Dipstick,Code:4001,4002,4005 |
| 5 | OT11928 | RE46787 | | Dipstick,Code:4007 |
| 6 | OZ12406 | RE51774 | AL24527 | Switch, Water Temp. |

Fuel System



| Key | Ozgur No | OEM No | SUB No | Description |
|-----|----------|----------|----------|-------------------------------------|
| 1 | OZ11613 | RE527115 | DD13483 | Fuel Pump Code:3701,3704 |
| 2 | OT11933 | RE55390 | | Fuel Pump Code:3710 |
| 3 | OZ11615 | AR50041 | | Fuel Filter |
| 4 | OT11935 | RE62418 | RE64449 | Filter Element,Code:3510 (<-421340) |
| 4 | OT11936 | RE62419 | RE509031 | Filter Element,Code:3510 (421341->) |
| 5 | OZ11013 | RE38087 | RE36939 | Nozzle |
| 6 | OZ11007 | AR85618 | | Fitting |
| 7 | OZ11008 | R79605 | | Kit |
| 8 | OZ11003 | R60746 | R34764 | Seal |
| 9 | OZ11004 | R48000 | R34767 | Seal |

Gasket Set

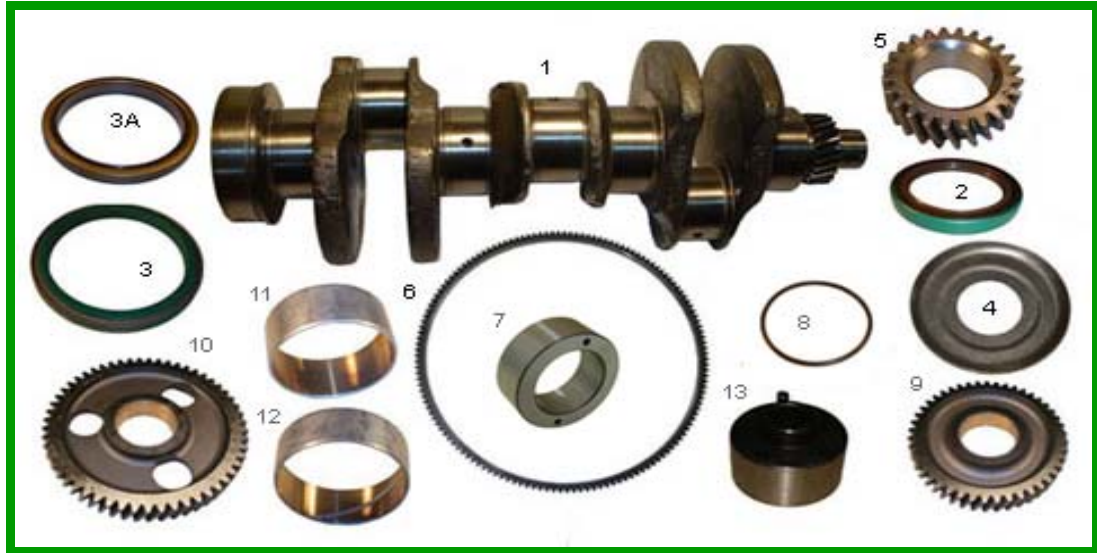


| Key | Ozgur No | OEM No | SUB No | Description |
|-----|----------|----------|------------------|---------------------|
| 1 | OZ11203 | R114157 | R92426 R59449 | Head Gasket |
| 2 | OT11311 | RE524752 | RE501569 | Full Gasket |
| 3 | OZ11209 | RE527283 | RE38852 | Top Gasket, |
| 4 | OZ11215 | R97344 | T20205 | Gasket,Oil Pan |
| 5 | OZ11212 | R75728 | T20467 | Gasket,Rocker Cover |

ENGINES 3.029D-T LITER DESIGNATED

| | |
|--------------------------------------|---|
| ENGINE TYPE / SERIAL / SERIES | 3029D / / 300 |
| CYL / BORE (MM) / PIN (MM) | 3 / 106,50 / 35,00 |
| DETAILS | liter designated, [piston RE19282,RE19283] |
| AGRICULTURAL | TRACTOR MODEL; 3100(early design),3110(<-384505) |
| INDUSTRIAL | |
| GENERATOR | |
| ENGINE TYPE / SERIAL / SERIES | 3029T / / 300 |
| CYL / BORE (MM) / PIN (MM) | 3 / 106,50 / 41 |
| DETAILS | liter designated, [piston RE19278,RE19279] |
| GENERATOR | |

Crankshaft and compenents



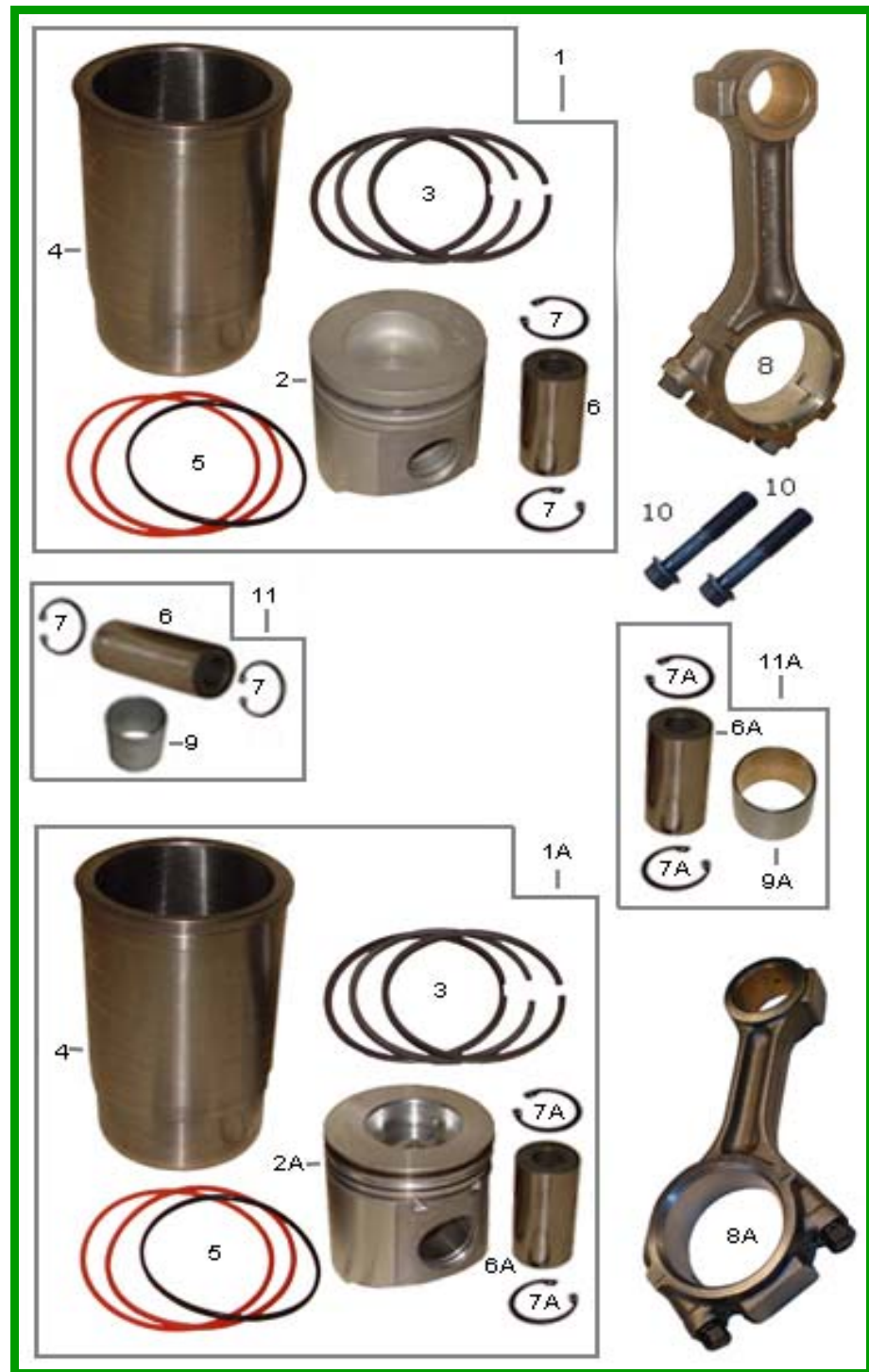
| Key | Ozгур No | OEM No | SUB No | Description |
|-----|----------|---------|---------------------|---|
| 1 | OT12301 | RE50979 | RE31257 RE521348 | Crankshaft |
| 2 | OZ10021 | AR67942 | AT21608 | Seal,Front |
| 3 | OZ10020 | RE44574 | | Seal,Rear |
| 3A | OT10001 | AR92893 | AT22965 | Seal,Rear |
| 4 | OZ10022 | T20046 | | Silinger,Seal Front |
| 5 | OZ10023 | T20094 | | Gear,Crankshaft,Code:4702,4704,4710 |
| 5 | OT11902 | R100850 | | Gear,Crankshaft,Code:4702,4705 |
| 6 | OZ11804 | R114282 | T20088 | Ring Gear,Z=142,Code:1501,1502,1504,1508, 1512,1516,1521,1525,1526, 1530,1589,15A1 |
| 6 | OZ11814 | R28811 | | Ring Gear,Z=129,Code:1551,1515,1556 |
| 6 | OZ10050 | R81989 | T30413 | Sleeve |
| 8 | OT10704 | H35244 | | O-Ring |
| 9 | OT12335 | RE62354 | RE44529 | Gear |
| 10 | OZ10618 | AT24252 | T26322 | Gear |
| 11 | OZ10622 | T20034 | | Bush |
| 12 | OZ10620 | T26321 | | Bush |
| 13 | OZ10619 | R109863 | T26323 | Bush |

Overhaul Kit



| Ozgur No | OEM No | Kit contents | | | Description |
|-----------|-------------|----------------|--------------------|---------------|------------------------------------|
| OZ00179D | | Part No | Description | Pieces | Overhaul Kit, 3029D, Std.Piston |
| | | RE30250 | Piston Kit | 3 | |
| | | OZ10034 | Bearing Set,Std | 1 | |
| | | R79623 | Valve,Intake,Std | 3 | |
| | | R79624 | Valve,Exhaust,Std | 3 | |
| | | R55647 | Bushing | 3 | |
| | | AR67942 | Seal,Front | 1 | |
| | | RE44574 | Seal,Rear | 1 | |
| RE501578 | Full Gasket | 1 | | | |
| OZ00179DH | | Part No | Description | Pieces | Overhaul Kit, 3029D, H Piston |
| | | RE11510 | Piston Kit | 3 | |
| | | OZ10034 | Bearing Set,Std | 1 | |
| | | R79623 | Valve,Intake,Std | 3 | |
| | | R79624 | Valve,Exhaust,Std | 3 | |
| | | R55647 | Bushing | 3 | |
| | | AR67942 | Seal,Front | 1 | |
| | | RE44574 | Seal,Rear | 1 | |
| RE501578 | Full Gasket | 1 | | | |
| OZ00179T | | Part No | Description | Pieces | Overhaul Kit, 3029T, Std.Piston |
| | | RE22678 | Piston Kit | 3 | |
| | | OZ10034 | Bearing Set,Std | 1 | |
| | | R79623 | Valve,Intake,Std | 3 | |
| | | R79624 | Valve,Exhaust,Std | 3 | |
| | | R57451 | Bushing | 3 | |
| | | AR67942 | Seal,Front | 1 | |
| | | RE44574 | Seal,Rear | 1 | |
| RE501578 | Full Gasket | 1 | | | |
| OZ00179TH | | Part No | Description | Pieces | Overhaul Kit, 3029T, H Piston |
| | | RE22681 | Piston Kit | 3 | |
| | | OZ10034 | Bearing Set,Std | 1 | |
| | | R79623 | Valve,Intake,Std | 3 | |
| | | R79624 | Valve,Exhaust,Std | 3 | |
| | | R57451 | Bushing | 3 | |
| | | AR67942 | Seal,Front | 1 | |
| | | RE44574 | Seal,Rear | 1 | |
| RE501578 | Full Gasket | 1 | | | |

Piston Kit and Connecting rod



Piston Kit and Connecting rod

| Key | Ozgur No | OEM No | SUB No | Description |
|-----|----------|----------|---------|---|
| 1 | OZ10245 | RE30250 | RE24458 | Piston-Liner Kit, B Type,(3029D) , Kit contents: RE19282, RE507852, R116281, AR65507 |
| 1 | OZ10310 | RE11510 | RE24539 | Piston-Liner Kit H Type, (3029D) , Kit contents: RE19283, RE507852, R116281, AR65507 |
| 1A | OZ10246 | RE22678 | RE33115 | Piston-Liner Kit B Type, (3029T) , Kit contents: RE19278, RE507852, R116281, AR65507 |
| 1A | OZ10254 | RE22681 | RE15597 | Piston-Liner Kit H Type, (3029T) , Kit contents: RE19279, RE507852, R116281, AR65507 |
| 2 | OZ10205 | RE19282 | AR79868 | Piston,W/Alfini for RE30250 |
| 2 | OZ10271 | RE19283 | AR87738 | Piston,W/Alfini for RE11510 |
| 2A | OZ10206 | RE19278 | AR71067 | Piston,W/Alfini for RE33115 |
| 2A | OZ10272 | RE19279 | RE11596 | Piston,W/Alfini for RE22681 |
| 3 | OZ10208 | RE507852 | RE66820 | Ring |
| 4 | OZ10211 | R116281 | R51726 | Liner |
| 5 | OZ10214 | AR65507 | AR68318 | Seal Kit Viton |
| 5 | OT10200 | DD13277 | | Seal Kit Silicon |
| 6 | OZ10029 | R125754 | R51731 | Pin,Piston(3029D) |
| 6A | OZ10030 | R124230 | R56188 | Pin,Piston(3029T) |
| 7 | OZ10027 | M41029 | | Snap Ring(3029D) |
| 7A | OT10201 | R54114 | | Snap Ring (3029T) |
| 8 | OZ10218 | RE21076 | RE16495 | Connecting Rod (3029D) |
| 8A | OZ10303 | RE42733 | RE16494 | Connecting Rod(3179T) |
| 9 | OZ10216 | R55647 | R51728 | Bushing,Conrod(3029D) |
| 9A | OZ10217 | R57451 | R56186 | Bushing,Conrod(3029T) |
| 10 | OZ10219 | R74194 | T20009 | Bolt,Conrod,for AR55978 |
| 10 | OZ10250 | R80033 | | Bolt,Conrod, for RE16495,RE42733,L=59mm |
| 11 | OT10102 | RE63914 | | Pin Kit (3029D),Kit contents:R125754, R55647,M41029(2) |
| 11A | OT10202 | RE63913 | | Pin Kit (3029T),Kit contents:R124230, R57451, R54114(2) |

Bearing



| Key | Ozгур No | OEM No | SUB No | Description |
|-----|----------|----------|---------|--|
| 1 | OZ10010 | RE521350 | AT21139 | Thrust Bearing,Std |
| 1 | OZ10011 | RE526754 | AT21132 | Thrust Bearing,010 |
| 1 | OZ10012 | RE527235 | AT21134 | Thrust Bearing,020 |
| 1 | OZ10013 | RE527236 | AT21136 | Thrust Bearing,030 |
| 1 | OZ10014 | AT21130 | | Thrust Bearing,040 |
| 2 | OZ10005 | RE27352 | AT21140 | Main Bearing,Std. |
| 2 | OZ10006 | RE27353 | AT21110 | Main Bearing,010 |
| 2 | OZ10007 | RE27360 | AT21112 | Main Bearing,020 |
| 2 | OZ10008 | RE27368 | AT21114 | Main Bearing,030 |
| 2 | OZ10009 | AT21108 | | Main Bearing,040 |
| 3 | OZ10015 | RE27348 | AT21138 | Con Rod Bearing, Std. |
| 3 | OZ10016 | RE27349 | AT21124 | Con Rod Bearing, 010 |
| 3 | OZ10017 | RE27358 | AT21126 | Con Rod Bearing, 020 |
| 3 | OZ10018 | RE27364 | AT21128 | Con Rod Bearing, 030 |
| 3 | OZ10019 | AT21122 | | Con Rod Bearing, 040 |
| 4 | OZ10034 | OZ10034 | | Bearing Set,Std. , (Kit contents: RE521350 , RE27352,3 pcs, RE27348,3 pcs) |
| 4 | OZ10035 | OZ10035 | | Bearing Set,010, (Kit contents: RE526754, RE27353,3 pcs, RE27349,3 pcs) |
| 4 | OZ10036 | OZ10036 | | Bearing Set,020 , (Kit contents: RE527235, RE27360,3 pcs, RE27358,3 pcs) |
| 4 | OZ10037 | OZ10037 | | Bearing Set,030 , (Kit contents: RE527236, RE27368,3 pcs, RE27364,3 pcs) |
| 4 | OZ10038 | OZ10038 | | Bearing Set,040 , (Kit contents: AT21130, AT21108,3 pcs, AT21122,3 pcs) |

Valve and Camshaft



| Key | Ozгур No | OEM No | SUB No | Description |
|-----|----------|----------|---------|--|
| 1 | OT11907 | R98062 | | Valve,Intake,Std |
| 1 | OT11909 | R97490 | | Valve,Intake,015 |
| 1 | OT11908 | R97491 | | Valve,Intake,030 |
| 2 | OT11910 | R90692 | | Valve,Exhaust,Std |
| 2 | OT11912 | R97492 | | Valve,Exhaust,015 |
| 2 | OT11911 | R90693 | | Valve,Exhaust,030 |
| 3 | OZ10414 | R119707 | AR79622 | Camshaft,W/O Gear (<-117114) |
| 3 | OT12329 | R106957 | | Camshaft A=40mm (Kit RE55900) (117115->) |
| 4 | OZ10417 | T20070 | | Gear,Helicoid Tooth (<-117114) |
| 4 | OT12331 | R126246 | | Gear,Straight Tooth (117115->) |
| 5 | OZ10408 | R82896 | T20310 | Push Rod |
| 6 | OZ10407 | T20073 | | Tappet |
| 7 | OT12330 | R119874 | | Bushing Cam Shaft (117115->) |
| 8 | OT11916 | R91889 | | Lock, Retainer |
| 9 | OT11917 | RE60005 | RE31323 | Rototor |
| 10 | OZ10410 | R26125 | | Spring |
| 11 | OZ10409 | RE508317 | RE31973 | Rocker Arm |
| 12 | OZ10419 | RE519735 | R54985 | Shaft |
| 13 | OZ10421 | R123161 | T20315 | Support, Rocker Arm Shaft |
| 14 | OT11918 | R98063 | R106831 | Valve Seat Insert,Intake,Std |
| 15 | OT11920 | R85687 | R106829 | Valve Seat Insert,Exhaust |
| 16 | OT10714 | RE31617 | | Seal,Std |
| 16 | OT12333 | RE37643 | | Seal,.015" |
| 16 | OT12334 | RE37644 | | Seal,.030" |

Oil Pump



| Key | Ozgur No | OEM No | SUB No | Description |
|-----|----------|---------|---------|---------------------|
| 1 | OZ10601 | RE52020 | RE35685 | Oil Pump Assy |
| 2 | OZ10623 | RE15381 | | Oil Pump |
| 3 | OZ10603 | AR62978 | | Shaft Gear,Oil Pump |
| 4 | OZ10604 | R54614 | | Gear,Oil Pump |
| 5 | OZ10602 | AR62979 | | Housing,Oil Pump |
| 6 | OZ10606 | RE36425 | AR60701 | Strainer,Oil Pump |
| 7 | OZ10613 | T20050 | | Tube,Oil Pump |
| 8 | OZ10605 | R53382 | | Cover,Oil Pump |
| 9 | OZ10612 | T20298 | | Gear |

Oil Cooler and Oil Filter



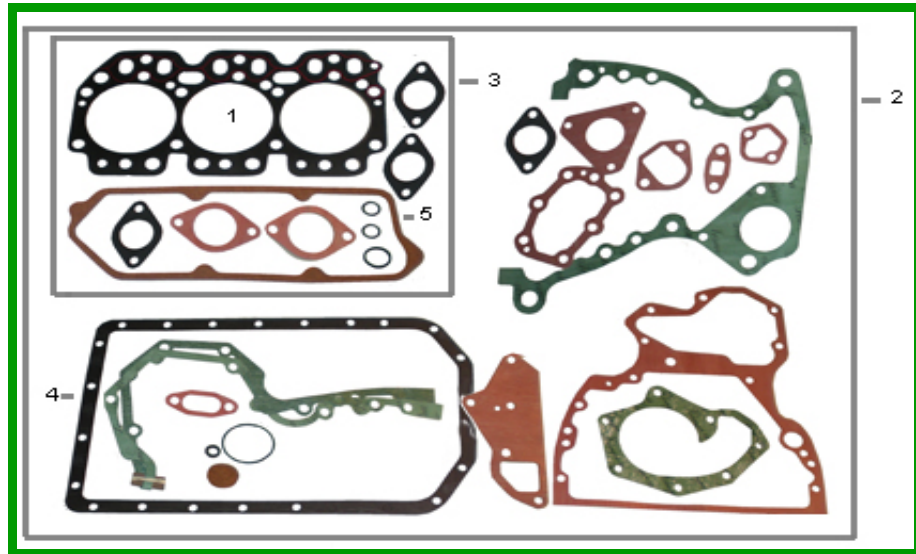
| Key | Ozgur No | OEM No | SUB No | Description |
|-----|----------|----------|----------|----------------------|
| 1 | OZ11401 | T20317 | | Cover, Thermostat |
| 1 | OZ11410 | R97876 | R70736 | Cover, Thermostat |
| 2 | OZ11406 | AR61538 | RE64354 | Thermostat, 82c, |
| 3 | OT10203 | R70737 | | Hose, Thermostat, |
| 3 | OZ11404 | L35843 | R60765 | Hose, Thermostat |
| 4 | OZ11909 | T19044 | | Oil Filter |
| 5 | OZ11908 | AR78192 | AT21534 | Dipstick |
| 6 | OZ11805 | AT85174 | AR27977 | Switch, Oil |
| 7 | OZ11811 | T20294 | R90788 | Cover, Oil |
| 8 | OZ11813 | AR100124 | AR103811 | Screw |
| 9 | OZ12406 | RE51774 | AL24527 | Switch, Water Temp. |
| 10 | OZ11913 | RE61767 | RE38077 | Oil Cooler, 6 Plates |
| 11 | OZ11366 | R99254 | | Hose |
| 12 | OZ11367 | R70438 | | Hose |

Fuel System



| Key | Ozgur No | OEM No | SUB No | Description |
|-----|----------|----------|----------|---------------------------------|
| 1 | OT11932 | RE38009 | | Fuel Pump Code:3701,3703 |
| 2 | OT11933 | RE55390 | | Fuel Pump Code:3711 |
| 3 | OT11934 | AH130127 | AH107362 | Fuel Pump Code:9123 |
| 4 | OT11935 | RE62418 | RE64449 | Fuel Filter A= 91mm Code:3565 |
| 5 | OZ11012 | RE36936 | RE36935 | Nozzle 28480-28481 2.9D (3029D) |
| 5 | OZ11013 | RE38087 | RE36939 | Nozzle 28484-28485 2.9T (3029T) |
| 6 | OZ11008 | R79605 | | Seal |
| 7 | OZ11003 | R60746 | R34764 | Seal |
| 8 | OZ11004 | R48000 | R34767 | Seal |
| 9 | OZ11005 | R34760 | | Clamp |
| 10 | OZ10624 | AR85710 | AT27917 | Gear,Fuel Pump |
| 11 | OZ11007 | AR85618 | | Kit |

Gasket Set

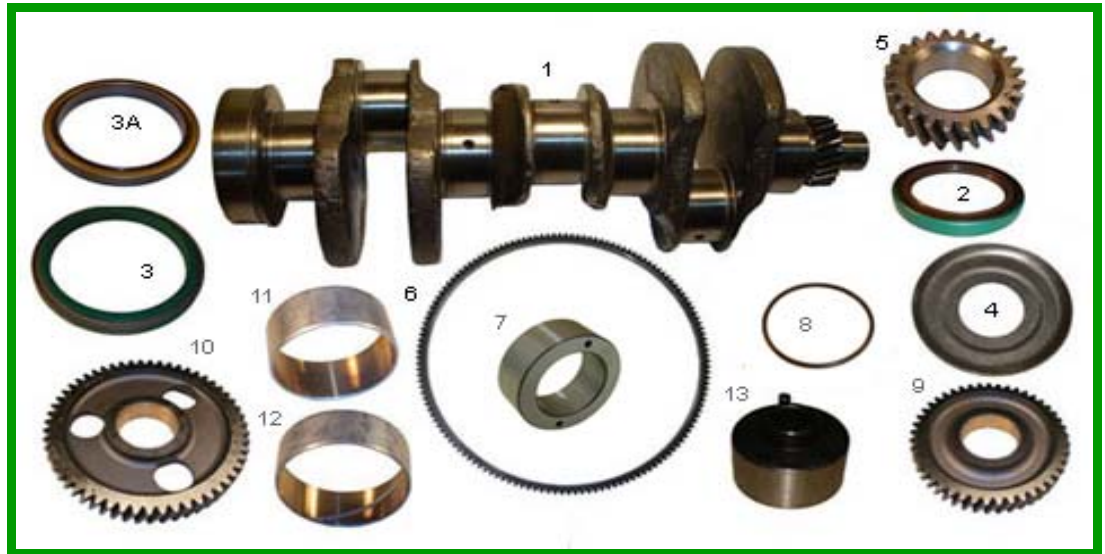


| Key | Ozgur No | OEM No | SUB No | Description |
|-----|----------|---------|--------|---------------------|
| 1 | OZ11201 | R97356 | R59447 | Head Gasket |
| 2 | OT12342 | RE64294 | | Full Gasket |
| 3 | OT12343 | RE64293 | | Top Gasket |
| 4 | OZ11213 | R97341 | R49514 | Gasket,Oil Pan |
| 5 | OZ11816 | R106796 | R92624 | Gasket,Rocker Cover |

ENGINES 3.029D-T POWERTECH 2.9 L

| | |
|--------------------------------------|---|
| ENGINE TYPE / SERIAL / SERIES | 3029D (2.9L) / <-252767 / P.TECH |
| CYL / BORE (MM) / PIN (MM) | 3 / 106,50 / 35,00 |
| DETAILS | (2.9L) [piston RE45323] |
| AGRICULTURAL | TRACTOR MODEL; 3110 (384506->) 5200 (<-262108),5300(291223->) |
| INDUSTRIAL | |
| ENGINE TYPE / SERIAL / SERIES | 3029D (2.9L) / 252768-> / P.TECH |
| CYL / BORE (MM) / PIN (MM) | 3 / 106,50 / 32,00 |
| DETAILS | (2.9L) [piston RE61467] |
| AGRICULTURAL | TRACTOR MODEL; 3100(short block assembly),5X03,5103,5103E,5103S,5105, 5200(262109->),5203,5205,5210,5220,5300(european),5300(<-291222),5300N,5303,5310N(european),5310S,5403 |
| INDUSTRIAL | SKID STEER LOADER; 240 std (<-240851),240 high flow (<-240851),240 grand debit (<-240851),240 alto caudal (<-240851) |
| GENERATOR | |
| ENGINE TYPE / SERIAL / SERIES | 3029DF (2.9L) / / P.TECH |
| CYL / BORE (MM) / PIN (MM) | 3 / 106,50 / 32,00 |
| DETAILS | (2.9L) [piston RE500210] |
| AGRICULTURAL | |
| INDUSTRIAL | SKID STEER LOADER; 240 std (240852->),240 high flow (240852->),240 grand debit (240852->),240 alto caudal (240852->) |
| ENGINE TYPE / SERIAL / SERIES | 3029T (2.9L) / <-258846 / P.TECH |
| CYL / BORE (MM) / PIN (MM) | 3 / 106,50 / 41,00 |
| DETAILS | (2.9L) [piston RE40557] |
| AGRICULTURAL | TRACTOR MODEL; 5400(<-261580),5400N(<-261580) |
| INDUSTRIAL | |
| ENGINE TYPE / SERIAL / SERIES | 3029T (2.9L) / 258847-> / P.TECH |
| CYL / BORE (MM) / PIN (MM) | 3 / 106,50 / 41,00 |
| DETAILS | (2.9L) [piston RE61270] |
| AGRICULTURAL | TRACTOR MODEL; 5215,5215F,5215V,5310,5310N,5315,5315F,5315V,5320,5320N,5400(261581->), 5400N(261581->),5410N |
| INDUSTRIAL | SKID STEER LOADER; 8875 (264813->) |
| ENGINE TYPE / SERIAL / SERIES | 3029TF (2.9L) / / P.TECH |
| CYL / BORE (MM) / PIN (MM) | 3 / 106,50 / 41,00 |
| DETAILS | (2.9L) [piston RE500211] |
| AGRICULTURAL | |
| INDUSTRIAL | SKID STEER LOADER; 250 std ,250 high flow ,250 grand debit ,250 alto caudal,260 std ,260 high flow , 260 grand debit ,260 alto caudal |

Crankshaft and compenents



| Key | Ozгур No | OEM No | SUB No | Description |
|-----|----------|---------|---------------------|---|
| 1 | OT12301 | RE50979 | RE31257 RE521348 | Crankshaft |
| 2 | OZ10021 | AR67942 | AT21608 | Seal,Front |
| 3 | OZ10020 | RE44574 | | Seal, ear |
| 3A | OT10001 | AR92893 | AT22965 | Seal,Rear |
| 4 | OZ10022 | T20046 | | Silinger,Seal Front |
| 5 | OZ10023 | T20094 | | Gear,Crankshaft,Code:4702,4704,4710 |
| 5 | OT11902 | R100850 | | Gear,Crankshaft,Code:4702,4705 |
| 6 | OZ11804 | R114282 | T20088 | Ring Gear,Z=142,Code:1501,1502,1504,1508, 1512,1516,1521,1525,1526, 1530,1589,15A1 |
| 6 | OZ11814 | R28811 | | Ring Gear,Z=129,Code:1551,1515,1556 |
| 7 | OZ10050 | R81989 | T30413 | Sleeve |
| 8 | OT10704 | H35244 | | O-Ring |
| 9 | OT12335 | RE62354 | RE44529 | Gear,Cranshaft Idler,Up |
| 10 | OZ10618 | AT24252 | T26322 | Gear,Cranshaft Idler,Low |
| 11 | OZ10622 | T20034 | | Bush,Up |
| 12 | OZ10620 | T26321 | | Bush,Low |
| 13 | OZ10619 | R109863 | T26323 | Pin |

Overhaul Kit



| Ozgur No | OEM No | Kit contents | | | Description |
|----------|-------------|----------------|--------------------|---------------|---|
| OT12345 | | Part No | Description | Pieces | Overhaul Kit 2.9D (-252767) Code:4807 |
| | | RE48721 | Piston Kit | 3 | |
| | | OZ10034 | Bearing Set,Std | 1 | |
| | | R98062 | Valve,Intake,Std | 3 | |
| | | R90692 | Valve,Exhaust,Std | 3 | |
| | | R116816 | Bushing | 3 | |
| | | AR67942 | Seal,Front | 1 | |
| | | RE44574 | Seal,Rear | 1 | |
| RE64294 | Full Gasket | 1 | | | |
| OT12346 | | Part No | Description | Pieces | Overhaul Kit 2.9D (252768-) Code:4809,9915 |
| | | RE66968 | Piston Kit | 3 | |
| | | OZ10034 | Bearing Set,Std | 1 | |
| | | R98062 | Valve,Intake,Std | 3 | |
| | | R90692 | Valve,Exhaust,Std | 3 | |
| | | R504300 | Bushing | 3 | |
| | | AR67942 | Seal,Front | 1 | |
| | | RE44574 | Seal,Rear | 1 | |
| RE64294 | Full Gasket | 1 | | | |
| OT12347 | | Part No | Description | Pieces | Overhaul Kit 2.9T (-258846) Code:4809 |
| | | RE48724 | Piston Kit | 3 | |
| | | OZ10034 | Bearing Set,Std | 1 | |
| | | R98062 | Valve,Intake,Std | 3 | |
| | | R90692 | Valve,Exhaust,Std | 3 | |
| | | R116817 | Bushing | 3 | |
| | | AR67942 | Seal,Front | 1 | |
| | | RE44574 | Seal,Rear | 1 | |
| RE64294 | Full Gasket | 1 | | | |
| OT12348 | | Part No | Description | Pieces | Overhaul Kit 2.9T (258847-) Code:4809,4814,9917 |
| | | RE67426 | Piston Kit | 3 | |
| | | OZ10034 | Bearing Set,Std | 1 | |
| | | R98062 | Valve,Intake,Std | 3 | |
| | | R90692 | Valve,Exhaust,Std | 3 | |
| | | R116817 | Bushing | 3 | |
| | | AR67942 | Seal,Front | 1 | |
| | | RE44574 | Seal,Rear | 1 | |
| RE64294 | Full Gasket | 1 | | | |

Piston Kit and Connecting rod



Piston Kit and Connecting rod

| Key | Ozgun No | OEM No | SUB No | Description |
|-----|----------|----------|---------|--|
| 1 | OT12302 | RE48721 | | Piston-Liner Kit 35mm 2.9D (-252767) Code:4807 (DF120,DF160) |
| 1 | OT12303 | RE66968 | | Piston-Liner Kit 32mm 2.9D (252768-) Code:4809, 9915 (DF120,DF160) |
| 1 | OT12304 | RE48724 | | Piston-Liner Kit 41mm 2.9T (-258846) Code:4808 (TF120,TF160) |
| 1 | OT12305 | RE67426 | | Piston-Liner Kit 41mm 2.9T (258847-) Code:4808, 4814,9917 (TF120,TF160) |
| 1 | OT12306 | RE500673 | | Piston-Liner Kit 41mm 2.9T Code: 4814 (TF120, TF150,TF180,TF270) |
| 1 | OT12307 | RE500672 | | Piston-Liner Kit 32mm 2.9D Code:4813 (DF150,DF180) |
| 2 | OT12308 | RE45323 | | Piston,35mm 2.9D(-252767) Code:4807 , for RE48721 |
| 2 | OT12309 | RE61467 | | Piston,32mm 2.9D (252768-) Code:4809,9915 , for RE66968 |
| 2 | OT12310 | RE40557 | | Piston,41mm 2.9T (-258846) Code:4808 for RE48724 |
| 2 | OT12311 | RE61270 | | Piston,41mm 2.9T (258847-) Code:4808,4814, 9917 for RE67426 |
| 2 | OT12312 | RE500211 | | Piston,41mm 2.9T Code:4814 for RE500673 |
| 2 | OT12313 | RE500210 | | Piston,32mm 2.9D Code:4813 for RE500672 |
| 3 | OT12314 | RE66271 | | Ring, for RE66968,RE67426,RE500672,RE500673 |
| 3 | OZ10208 | RE507852 | RE66820 | Ring, for RE48721,RE48724 |
| 4 | OZ10211 | R116281 | R51726 | Liner |
| 5 | OZ10214 | AR65507 | AR68318 | Seal Kit Viton |
| 5 | OT10200 | DD13277 | | Seal Kit Silicon |
| 6 | OT12315 | R107707 | | Pin, 35mm for RE48721 |
| 6 | OT12316 | R123177 | R101233 | Pin, 41mm for RE48724,RE67426 |
| 6 | OT12317 | R130145 | | Pin, 32mm for RE66968 |
| 7 | OT12318 | 40M1856 | | Snap Ring, for RE501674 |
| 7 | OZ10027 | M41029 | | Snap Ring, for,R107707 |
| 7 | OT10201 | R54114 | | Snap Ring, for R101233 |
| 8 | OT12319 | RE44416 | R107180 | Connecting Rod,35mm 2.9D(-252767) Code: 4807 (DF120,DF160) |
| 8 | OT12320 | RE501674 | R504265 | Con.Rod,32mm 2.9D(407485-) Code:4809 (Use RE68540 With(2)R80033)DF120,DF150, DF160,DF180 |
| 8 | OT12321 | RE68540 | | Con.Rod,32mm 2.9D(-407484)Code:4809(Use RE501674with(2)R501124)DF120,DF150,DF160,DF180 |
| 8 | OT12322 | RE501675 | R501073 | Con.Rod,41mm2.9T(407825-) Code:4808, 4814[Use RE40541 (2)R80033]TF120, TF160,TF270 |
| 8 | OZ10302 | RE40541 | | Connecting Rod,41mm 2.9T(-407825) Code:4808[Use RE501675 (2)R501124]TF120,TF160 |
| 9 | OT12323 | R504300 | | Bushing,Conrod,32mm for RE501674,RE68540 |
| 9 | OT12324 | R116816 | | Bushing,Conrod,35mm for RE44416 |
| 9 | OT12325 | R116817 | R105613 | Bushing,Conrod,41mm for RE501675,RE40541 |
| 10 | OZ10250 | R80033 | | Bolt,Conrod for RE44416,RE50541,RE68540,RE56751 |
| 10 | OT12326 | R501124 | | Bolt,Conrod, for RE501674,RE501675 |
| 11 | OT12327 | RE508859 | | Kit,Pin,32mm for RE501674,RE56751,RE68540, |
| 11 | OT11906 | RE63916 | | Kit,Pin,35mm for RE44416 |
| 11 | OT12328 | RE63915 | | Kit,Pin,41mm for RE501675,RE50541 |

Bearing



| Key | Ozгур No | OEM No | SUB No | Description |
|-----|----------|----------|---------|---|
| 1 | OZ10010 | RE521350 | AT21139 | Thrust Bearing,Std,Code:4702,4704,4705 |
| 1 | OZ10011 | RE526754 | AT21132 | Thrust Bearing,010", Code:4702, 4704, 4705 |
| 1 | OZ10012 | RE527235 | AT21134 | Thrust Bearing,020",Code:4702, 4704, 4705 |
| 1 | OZ10013 | RE527236 | AT21136 | Thrust Bearing,030",Code:4702,4704, 4705 |
| 1 | OZ10014 | AT21130 | | Thrust Bearing,040",Code:4702,4704, 4705 |
| 2 | OT11903 | RE60350 | RE57279 | Thrust Main Bearing,Std,Code:4710 |
| 2 | OT12001 | RE27359 | | Thrust Main Bearing,010",Code:4710 |
| 2 | OT12002 | RE27366 | | Thrust Main Bearing,020",Code:4710 |
| 3 | OZ10005 | RE27352 | AT21140 | Main Bearing,Std. |
| 3 | OZ10006 | RE27353 | AT21110 | Main Bearing,010" |
| 3 | OZ10007 | RE27360 | AT21112 | Main Bearing,020" |
| 3 | OZ10008 | RE27368 | AT21114 | Main Bearing,030" |
| 3 | OZ10009 | AT21108 | | Main Bearing,040" |
| 4 | OZ10015 | RE27348 | AT21138 | Con Rod Bearing, Std. |
| 4 | OZ10016 | RE27349 | AT21124 | Con Rod Bearing, 010" |
| 4 | OZ10017 | RE27358 | AT21126 | Con Rod Bearing, 020" |
| 4 | OZ10018 | RE27364 | AT21128 | Con Rod Bearing, 030" |
| 4 | OZ10019 | AT21122 | | Con Rod Bearing, 040" |
| 5 | OT11904 | RE13571 | | Thrust Washer Set,Std |
| 5 | OT11905 | AR95932 | | Thrust Washer Set,.007" |
| | OZ10034 | OZ10034 | | Bearing Set,Std. ,(Kit contents: RE521350 , RE27352, 3 pcs, RE27348,3 pcs) |
| | OZ10035 | OZ10035 | | Bearing Set,010 ,(Kit contents: RE526754, RE27353, 3 pcs, RE27349,3 pcs) |
| | OZ10036 | OZ10036 | | Bearing Set,020 ,(Kit contents: RE527235, RE27360, 3 pcs, RE27358,3 pcs) |
| | OZ10037 | OZ10037 | | Bearing Set,030 ,(Kit contents: RE527236, RE27368, 3 pcs, RE27364,3 pcs) |

Valve and Camshaft



| Key | Ozgun No | OEM No | SUB No | Description |
|-----|----------|----------|---------|-------------------------------|
| 1 | OT11907 | R98062 | | Valve,Intake,Std |
| 1 | OT11909 | R97490 | | Valve,Intake,015 |
| 1 | OT11908 | R97491 | | Valve,Intake,030 |
| 2 | OT11910 | R90692 | | Valve,Exhaust,Std |
| 2 | OT11912 | R97492 | | Valve,Exhaust,015 |
| 2 | OT11911 | R90693 | | Valve,Exhaust,030 |
| 3 | OT12329 | R106957 | | Camshaft A=40mm (Kit RE55900) |
| 4 | OT12331 | R126246 | | Gear,Straight Tooth |
| 5 | OZ10408 | R82896 | T20310 | Push Rod |
| 6 | OZ10407 | T20073 | | Tappet |
| 7 | OT12330 | R119874 | | Bushing Cam Shaft |
| 8 | OT11916 | R91889 | | Lock, Retainer |
| 9 | OT11917 | RE60005 | RE31323 | Rototor |
| 10 | OZ10410 | R26125 | | Spring |
| 11 | OZ10409 | RE508317 | RE31973 | Rocker Arm |
| 12 | OZ10419 | RE519735 | R54985 | Shaft |
| 13 | OZ10421 | R123161 | T20315 | Support, Rocker Arm Shaft |
| 14 | OT11918 | R98063 | R106831 | Valve Seat Insert,Intake,Std |
| 15 | OT11920 | R85687 | R106829 | Valve Seat Insert,Exhaust |
| 16 | OT10714 | RE31617 | | Seal,Std |
| 16 | OT12333 | RE37643 | | Seal,.015" |
| 16 | OT12334 | RE37644 | | Seal,.030" |

Oil Pump



| Key | Ozgur No | OEM No | SUB No | Description |
|-----|----------|---------|---------|---------------------|
| 1 | OZ10601 | RE52020 | RE35685 | Oil Pump Assy |
| 2 | OZ10623 | RE15381 | | Oil Pump |
| 3 | OZ10603 | AR62978 | | Shaft Gear,Oil Pump |
| 4 | OZ10604 | R54614 | | Gear,Oil Pump |
| 5 | OZ10602 | AR62979 | | Housing,Oil Pump |
| 6 | OZ11368 | RE64211 | | Strainer,Oil Pump |
| 7 | OT11923 | R113752 | | Tube,Oil Pump |
| 8 | OZ10605 | R53382 | | Cover,Oil Pump |
| 9 | OZ10612 | T20298 | | Gear |

Oil Cooler and Oil Filter



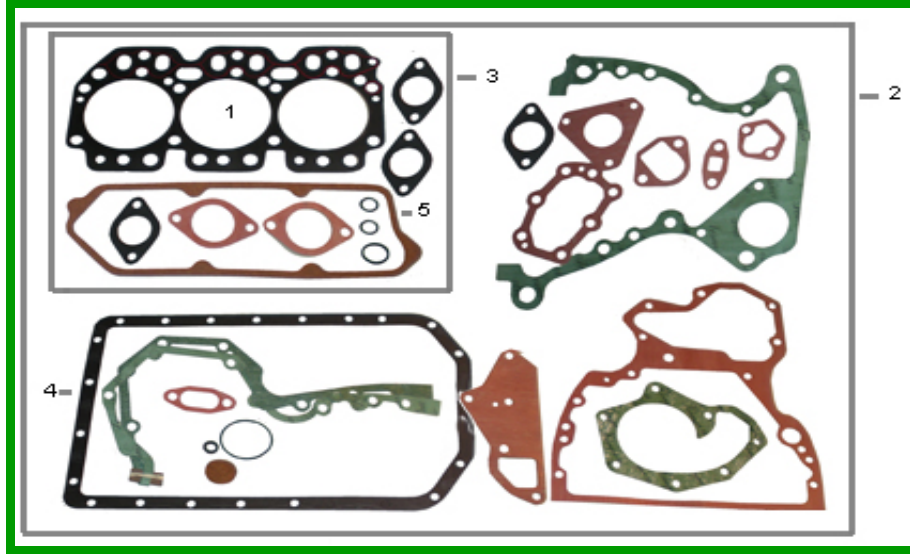
| Key | Ozгур No | OEM No | SUB No | Description |
|-----|----------|----------|---------|---|
| 1 | OZ11406 | AR61538 | RE64354 | Thermostat,82c |
| 2 | OZ11909 | T19044 | | Oil Filter |
| 3 | OZ11913 | RE61767 | RE38077 | Oil Cooler,6 Plates |
| 4 | OT11924 | RE62342 | DD15114 | Switch,Oil,Code:7601 |
| 4 | OZ11805 | AT85174 | AR27977 | Switch,Oil,Code:7602,7603,7606 |
| 4 | OT11925 | RE503867 | | Switch,Oil,Code:7622 |
| 5 | OT11929 | AT23141 | | Dipstick,LGTH 494mm, Code:4005,4025 |
| 5 | OZ11908 | AR78192 | AT21534 | Dipstick,LGTH 270mm, Code:4004,4006,4022,4023 |
| 5 | OT11930 | RE56302 | | Dipstick, LGTH 235mm,Code:4024,4026,4033 |
| 6 | OT12337 | DD15113 | | Switch,Temp.1/2"-14NPTF (12V - 24V)Code:6601 |
| 6 | OT11931 | AT135260 | | Switch,Temp.1/2"-14NPTF (12V - 24V)Code:6602 |
| 6 | OT12008 | AZ35440 | | Switch,Temp.1/2"-14NPTF (12V - 24V)Code:6603 |
| 6 | OZ12406 | RE51774 | AL24527 | Switch, Water Temp. |
| 6 | OT12338 | RE503882 | | Switch,Temp.1/2"-14NPTF (12V - 24V)Code:6606 |
| 6 | OT12339 | RE503883 | | Switch,Temp.1/2"-14NPTF (12V - 24V)Code:6608 |

Fuel System



| Key | Ozgur No | OEM No | SUB No | Description |
|-----|----------|----------|----------|--|
| 1 | OT11932 | RE38009 | | Fuel Pump Code:3701,3703 |
| 2 | OT11933 | RE55390 | | Fuel Pump Code:3711 |
| 3 | OT11934 | AH130127 | AH107362 | Fuel Pump Code:9123 |
| 4 | OT11935 | RE62418 | RE64449 | Fuel Filter A= 91mm Code:3565 |
| 4 | OT11936 | RE62419 | RE509031 | Fuel Filter A= 109mm Code:3506,3508,3509, 3510,3665,3594 |
| 4 | OT11937 | RE60021 | | Fuel Filter Code:3504,3561,3575,35AH,35AHA |
| 5 | OZ11012 | RE36936 | RE36935 | Nozzle 28480-28481 2.9D (3029D) |
| 5 | OZ11013 | RE38087 | RE36939 | Nozzle 28484-28485 2.9T (3029T) |
| 5 | OT12340 | RE509896 | | Nozzle ,Code:1699 |
| 6 | OZ11008 | R79605 | | Seal |
| 7 | OZ11003 | R60746 | R34764 | Seal |
| 8 | OZ11004 | R48000 | R34767 | Seal |
| 9 | OZ11005 | R34760 | | Clamp |
| 10 | OZ10624 | AR85710 | AT27917 | Gear,Fuel Pump |
| 11 | OZ11007 | AR85618 | | Kit |

Gasket Set

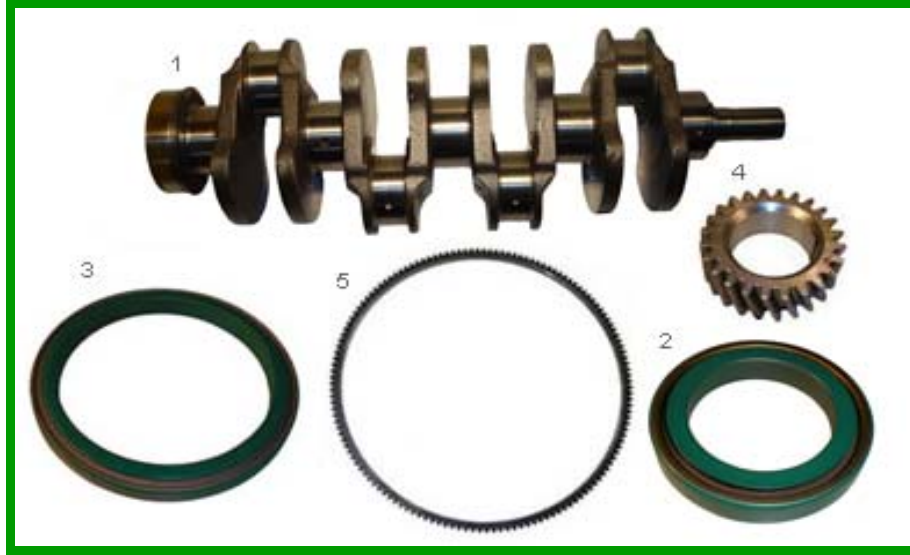


| Key | Ozgur No | OEM No | SUB No | Description |
|-----|----------|---------|--------|---|
| 1 | OZ11201 | R97356 | R59447 | Head Gasket |
| 2 | OT12342 | RE64294 | | Full Gasket |
| 3 | OT12343 | RE64293 | | Top Gasket |
| 4 | OZ11213 | R97341 | R49514 | Gasket,Oil Pan,Code:1906, 1916, 1917 |
| 4 | OT12344 | R119359 | | Gasket,Oil Pan, ,Code: 1901, 1903, 1909 |
| 5 | OZ11816 | R106796 | R92624 | Gasket,Rocker Cover For Saran Engines |

ENGINE 4.045D/H/T 4.5L POWERTECH

| | |
|--------------------------------------|---|
| ENGINE TYPE / SERIAL / SERIES | 4045D (4.5L) / / P.TECH |
| CYL / BORE (MM) / PIN (MM) | 4 / 106,50 / 35,00 |
| DETAILS | (4.5L) piston-liner kit RE505110 |
| AGRICULTURAL | TRACTOR MODEL; 3210,3210X,3310,3310X,5410,5415,5415N,5420,5420N,5425, 5425H,5425HC, 5425N,5615,5620,5625,5625H,6010,SE6010,6020(<-799999), SE6020(<-799999) |
| INDUSTRIAL | BACKHOE LOADER; 210LE (<-826110),310E,310G,310J,310SE,315SE LOADER; 210LE(702665-826110),210LE(071973->),324H,344E(362469->),344H(555617->), 344J SKID STEER LOADER; 270 CRAWLER; 450H (W/O Turbo) FORKLIFT; 485E,486E,488E |
| GENERATOR | |
| ENGINE TYPE / SERIAL / SERIES | 4045H (4.5L) / / P.TECH |
| CYL / BORE (MM) / PIN (MM) | 4 / 106,50 / 41,00 |
| DETAILS | (4.5L) piston-liner kit RE505112 |
| AGRICULTURAL | TRACTOR MODEL; 3215,3220,3415,3420,5705,6320L,SE6320(800000->),6415, 6420L, SE6420,6520L,6605 |
| INDUSTRIAL | LOADER; 444H,444H LL EXCAVATOR; 120 (151709->),120C TELESKOPIČ HANDLER; 3215 (<-206800),3220,3415 (<-206800),3420,3800 FORWERDER; 810D (1401-2002),1010D (3501-4000) |
| GENERATOR | |
| ENGINE TYPE / SERIAL / SERIES | 4045H (4.5L) / Tier3 / P.TECH PLUS AG |
| CYL / BORE (MM) / PIN (MM) | 4 / 106,50 / 41,00 |
| DETAILS | (4.5L) piston-liner kit RE530616 |
| AGRICULTURAL | TRACTOR MODEL; 6230PR (HL480),6330PR(HL480),6430PR(HL480) |
| INDUSTRIAL | |
| GENERATOR | |
| ENGINE TYPE / SERIAL / SERIES | 4045H (4.5L) / Tier3 / P.TECH PLUS C&F |
| CYL / BORE (MM) / PIN (MM) | 4 / 106,50 / 41,00 |
| DETAILS | (4.5L) piston-liner kit RE516227 |
| AGRICULTURAL | TRACTOR MODEL; 6320,6420,6420S |
| INDUSTRIAL | |
| GENERATOR | |
| ENGINE TYPE / SERIAL / SERIES | 4045H (4.5L) / Tier2 / P.TECH 2&4 VALVE |
| CYL / BORE (MM) / PIN (MM) | 4 / 106,50 / 41,00 |
| DETAILS | (6.8L) piston-liner kit RE516228 |
| AGRICULTURAL | |
| INDUSTRIAL | |
| GENERATOR | |

Crankshaft and compenents



| Key | Ozgur No | OEM No | SUB No | Description |
|-----|----------|----------|---------|--|
| 1 | OT12400 | RE504638 | RE50618 | Crankshaft With Straight Nose |
| 1 | OT12401 | RE506195 | | Crankshaft With Taper Nose,For Short Block RE520377, |
| 2 | OZ10080 | RE505515 | RE59810 | Seal,Front |
| 3 | OZ10020 | RE44574 | | Seal,Rear |
| 4 | OT12402 | R120631 | | Gear,Crankshaft Z-30 |
| 5 | OZ11814 | R28811 | | Ring Gear Z-129 |
| 5 | OZ11804 | R114282 | T20088 | Ring Gear Z-142 |

Overhaul Kit



| Ozgur No | OEM No | Kit contents | | | Description |
|----------|-----------------------|----------------|--------------------|---------------|------------------------------------|
| OT12459 | RE527298, RE66092 | Part No | Description | Pieces | ENGINES Overhaul Kit, ((4045D) |
| | | RE505110 | Piston Kit | 4 | |
| | | RE65168 | Thrust Bearing | 1 | |
| | | RE65165 | main Bearing | 4 | |
| | | RE65908 | Conrod Bearing | 4 | |
| | | R98062 | Valve,Intake,Std | 4 | |
| | | R90692 | Valve,Exhaust,Std | 4 | |
| | | R123960 | Bushing | 4 | |
| | | RE505515 | Seal,Front | 1 | |
| RE44574 | Seal,Rear | 1 | | | |
| RE527042 | Full Gasket | 1 | | | |
| OT12460 | RE527299, RE66093 | Part No | Description | Pieces | ENGINES Overhaul Kit, (4045T) |
| | | RE507920 | Piston Kit | 4 | |
| | | RE65168 | Thrust Bearing | 1 | |
| | | RE65165 | main Bearing | 4 | |
| | | RE65908 | Conrod Bearing | 4 | |
| | | R98062 | Valve,Intake,Std | 4 | |
| | | R90692 | Valve,Exhaust,Std | 4 | |
| | | R123960 | Bushing | 4 | |
| | | RE505515 | Seal,Front | 1 | |
| RE44574 | Seal,Rear | 1 | | | |
| RE527042 | Full Gasket | 1 | | | |
| OT12461 | RE526971, RE515660 | Part No | Description | Pieces | Overhaul Kit , (4045T,H) |
| | | RE507850 | Piston Kit | 4 | |
| | | RE65168 | Thrust Bearing | 1 | |
| | | RE65165 | main Bearing | 4 | |
| | | RE65908 | Conrod Bearing | 4 | |
| | | R98062 | Valve,Intake,Std | 4 | |
| | | R90692 | Valve,Exhaust,Std | 4 | |
| | | R114082 | Bushing | 4 | |
| | | RE505515 | Seal,Front | 1 | |
| RE44574 | Seal,Rear | 1 | | | |
| RE527042 | Full Gasket | 1 | | | |

Piston Kit



| Key | Ozгур No | OEM No | SUB No | Description |
|-----|----------|----------|----------|--|
| 1 | OT12426 | RE505110 | RE65966 | Piston-Liner Kit,4.5D,Pin 35mm |
| 1 | OT12427 | RE505111 | RE65967 | Piston-Liner Kit,4.5T,Pin 35mm,(←-340465) |
| 1 | OT12428 | RE507920 | | Piston-Liner Kit,4.5T,Pin 35mm,(340466-→) |
| 1 | OT12429 | RE507850 | RE505112 | Piston-Liner Kit,4.5T,H Pin 41mm |
| 2 | OT12430 | RE505101 | RE59279 | Piston,4.5D,Pin 35mm for RE505110 |
| 2 | OT12431 | RE505100 | RE59277 | Piston,4.5T,Pin 35mm for RE505111 |
| 2 | OT12432 | RE515372 | | Piston,4.5T,Pin 35mm for RE507920 |
| 2 | OT12433 | RE505102 | RE55512 | Piston,4.5T,H,Pin 41mm for RE507850 |
| 3 | OT12314 | RE66271 | | Ring, for RE505110,RE505111 |
| 3 | OZ10208 | RE507852 | RE66820 | Ring, for RE507850 |
| 4 | OZ10299 | R116383 | R515037 | Liner |
| 5 | OZ10214 | AR65507 | AR68318 | Seal Kit Viton |
| 5 | OT10200 | DD13277 | | Seal Kit Silicon |
| 6 | OT12434 | R123178 | | Piston Pin,35mm for RE505110,RE505111,RE507920 |
| 6 | OT12316 | R123177 | R101233 | Piston Pin,41mm for RE507850 |
| 7 | OZ10027 | M41029 | | Snap Ring, for R123178 Pin |
| 7 | OT10201 | R54114 | | Snap Ring, for R123177 Pin |

Bearing



| Key | Ozgur No | OEM No | SUB No | Description |
|-----|----------|------------|--------|-----------------------|
| 1 | OT12403 | RE65168 | | Thrust Bearing,Std |
| 1 | OT12404 | RE65912 | | Thrust Bearing,010 |
| 1 | OT12405 | RE65168-20 | | Thrust Bearing,020 |
| 1 | OT12406 | RE65168-30 | | Thrust Bearing,030 |
| 2 | OT12407 | RE65165 | | Main Bearing,Std. |
| 2 | OT12408 | RE65911 | | Main Bearing,010 |
| 2 | OT12409 | RE65165-20 | | Main Bearing,020 |
| 2 | OT12410 | RE65165-30 | | Main Bearing,030 |
| 3 | OZ10102 | RE65908 | | Con Rod Bearing, Std. |
| 3 | OT12411 | RE65909 | | Con Rod Bearing, 010 |
| 3 | OT12412 | RE65908-20 | | Con Rod Bearing, 020 |
| 3 | OT12413 | RE65908-30 | | Con Rod Bearing, 030 |

Connecting rod and Balancer shaft



| Key | Ozgur No | OEM No | SUB No | Description |
|-----|----------|----------|---------|--|
| 1 | OT12414 | RE60272 | | Connecting Rod,35mm(<-544466)) |
| 1 | OT12415 | RE500002 | | Connecting Rod,35mm(544467->)) |
| 1 | OT12416 | RE50770 | | Connecting Rod,41mm,(<-554250), (<-553936) |
| 1 | OT12417 | RE500608 | | Connecting Rod,41mm,(554251->), (553937->) |
| 2 | OZ10309 | R123960 | R130603 | Bushing,Conrod 35mm for RE60272,RE500002 |
| 2 | OZ10312 | R114082 | R130602 | Bushing,Conrod 41mm, for R500608,RE50770 |
| 3 | OT12418 | R114083 | | Bolt,Conrod,L=64mm, for R500608,RE50770 |
| 3 | OT12326 | R501124 | | Bolt,Conrod,L=61mm ,For R500002,RE60272 |
| 4 | OT12419 | RE69364 | | Balancer Shaft,Rh,(<-552278), (<-542944), |
| 4 | OT12420 | RE502449 | | Balancer Shaft Assy,Lh,(552279->)for SHORT BLOCK RE65951 |
| 4 | OT12422 | RE500449 | RE69365 | Balancer Shaft,Lh,(<-552278), (<-542944) |
| 4 | OT12421 | RE500448 | | Balancer Shaft Assy,Rh,(552279->)for SHORT BLOCK RE65951 |
| 4 | OT12423 | RE502447 | | Balancer Shaft Assy,Rh,(552279->) (542945->) |
| 4 | OT12424 | RE500446 | | Balancer Shaft Assy,Lh,(552279->), (542945->) |
| 5 | OZ10639 | R115299 | | Bush Std,Balancer Shaft |
| 6 | OT12425 | R116078 | | Plate,Balancer Shaft |

Valve and Camshaft



| Key | Ozгур No | OEM No | SUB No | Description |
|-----|----------|----------|---------|---|
| 1 | OT11907 | R98062 | | Valve,Intake,Std |
| 1 | OT11908 | | | Valve, Intake,003 |
| 1 | OT11909 | R97490 | | Valve,Intake,015 |
| 2 | OT11910 | R90692 | | Valve,Exhaust,Std |
| 2 | OT11911 | | | Valve,Exhaust,003 |
| 2 | OT11912 | R97492 | | Valve,Exhaust,015 |
| 3 | OT12435 | RE56375 | | Camshaft W/O,Gear (Code:4601,4619, 4045D, For Genset Applications And Variable Speed) DF270,TF158,HF158,TF250,TF258 |
| 3 | OT12436 | RE507595 | | Camshaft W/O,Gear,(Code:4621 4045T,H) (Code: 4614-4045T,HF275,TF270,TF275) (Code:4632 P.Tech Plus And T2 ENGINES) |
| 3 | OT12437 | RE515612 | | Camshaft W/O,Gear, (Code:4615 4045H) (6320,6420,6420S) HF475 |
| 4 | OT12438 | R133812 | R120633 | Gear,Camshaft for RE56375,RE507595 |
| 4 | OT12439 | R516237 | | Gear,Camshaft for RE515612 |
| 5 | OT10713 | R83429 | R54799 | Push Rod,L=265mm |
| 6 | OZ10407 | R123565 | | Tappet |
| 7 | OT10714 | RE31617 | | Seal,Std |
| 8 | OT11916 | R91889 | | Lock, Retainer |
| 9 | OT11917 | RE60005 | RE31323 | Rototor |
| 10 | OZ10410 | R26125 | | Spring |
| 11 | OT11918 | R98063 | R106831 | Valve Seat Insert,Intake |
| 12 | OT11920 | R85687 | R106829 | Valve Seat Insert,Exhaust |
| 13 | OZ10409 | RE508317 | RE31973 | Rocker Arm(<-379968) |
| 13 | OT11922 | RE62148 | RE43384 | Rocker Arm(379969->) |
| 14 | OZ10418 | RE519736 | R54987 | Shaft |
| 15 | OZ10421 | R123161 | T20315 | Support, Rocker Arm Shaft |

Oil pump, Oil Cooler and Oil Filter



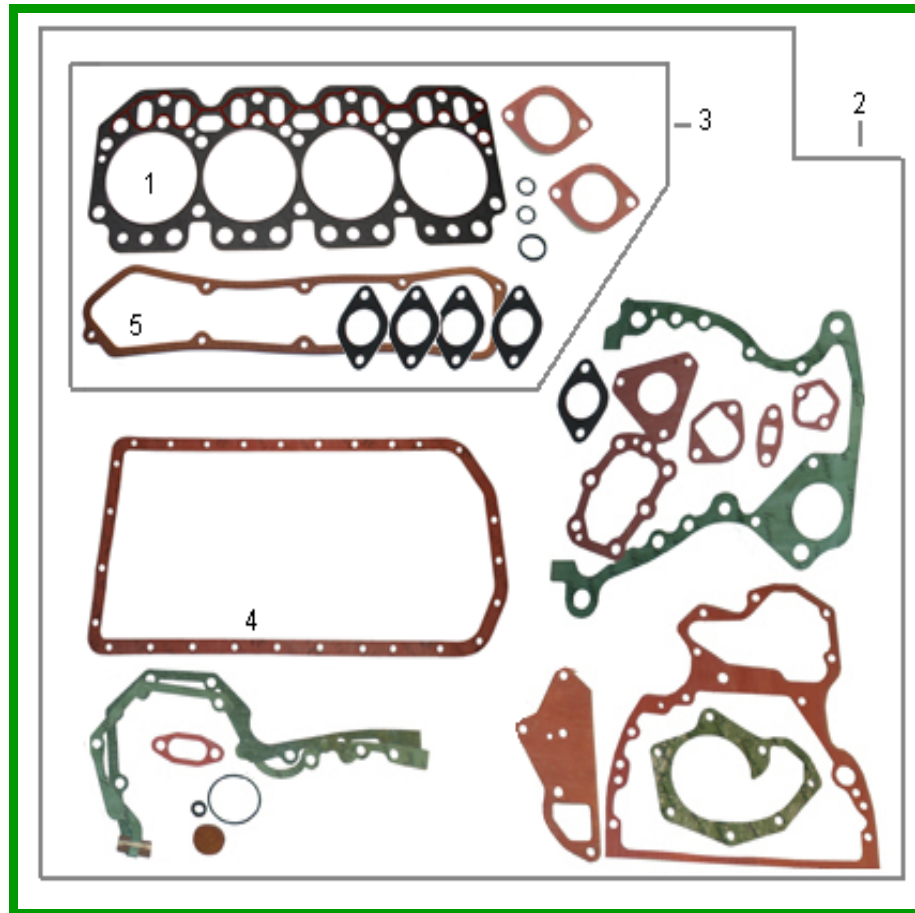
| Key | Ozgun No | OEM No | SUB No | Description |
|-----|----------|----------|----------|---|
| 1 | OZ10640 | RE504914 | RE502269 | Oil Pump Assy |
| 2 | OT12443 | RE505980 | RE500734 | Water Pump |
| 2 | OT12444 | RE505981 | RE500737 | Water Pump Low Flow |
| 3 | OZ11411 | AR48675 | RE524562 | Thermostat,82c,(<-575237)(<-575555),(<-575489) |
| 3 | OZ11405 | RE33705 | AT22961 | Thermostat,82c,(<-575237),(<-575555),(<-575489) |
| 3 | OT12449 | RE517011 | RE507225 | Thermostat,78c,(575237->)(575556->),(575490->) |
| 3 | OZ11406 | AR61538 | RE64354 | Thermostat,82c |
| 4 | OT12450 | RE59754 | | Oil Filter |
| 5 | OT12451 | RE59298 | | Oil Cooler,9 Plates |
| 6 | OZ11805 | AT85174 | AR27977 | Switch,Oil |
| 7 | OZ11908 | AR78192 | AT21534 | Dipstick(<-550948) |
| 7 | OT12452 | RE502740 | | Dipstick(550949->) |
| 7 | OT12453 | RE69243 | | Dipstick 4045D,T,H |
| 8 | OZ12406 | RE51774 | AL24527 | Switch, Water Temp. |

Fuel System



| Key | Ozgur No | OEM No | SUB No | Description |
|-----|----------|---------|----------|------------------------------|
| 1 | OT12454 | RE68345 | RE66153 | Fuel Pump |
| 2 | OT11936 | RE62419 | RE509031 | Fuel Filter A=109mm |
| 2 | OT11935 | RE62418 | RE64449 | Fuel Filter A=91mm (-706488) |
| 2 | OT11937 | RE60021 | | Fuel Filter A=71mm (706489-) |
| 3 | OZ11010 | RE48786 | RE44508 | Nozzle(Turbo) 4.5T,H,29279 |
| 3 | OZ11011 | RE60062 | SE500828 | Nozzle[Non Turbo] 4.5D,32262 |
| 4 | OZ11007 | AR85618 | | Kit |
| 5 | OZ11008 | R79605 | | Seal |
| 7 | OZ11003 | R60746 | R34764 | Seal |
| 7 | OZ11004 | R48000 | R34767 | Seal |

Gaskets



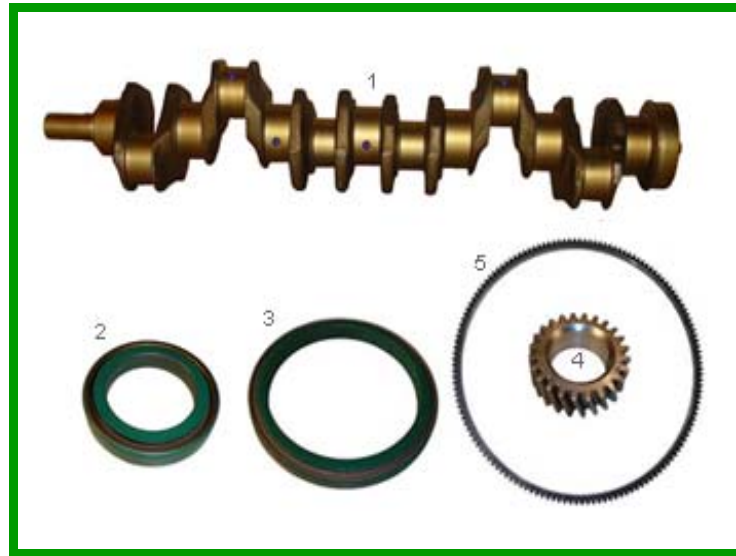
| Key | Ozgun No | OEM No | SUB No | Description |
|-----|----------|----------|----------|---------------------|
| 1 | OZ11823 | R116515 | | Head Gasket |
| 2 | OT12455 | RE527042 | RE501455 | Full Gasket |
| 3 | OT12456 | RE520670 | RE66082 | Top Gasket |
| 4 | OT12457 | R123352 | R521493 | Gasket,Oil Pan |
| 4 | OZ11214 | R97342 | R49515 | Gasket,Oil Pan |
| 5 | OT12458 | R123542 | | Gasket,Rocker Cover |

ENGINE 6.068 D/H/T 6.8L POWERTECH

| | |
|--------------------------------------|--|
| ENGINE TYPE / SERIAL / SERIES | 6068D (6.8L) / / P.TECH |
| CYL / BORE (MM) / PIN (MM) | 6 / 106,50 / 35,00 |
| DETAILS | (6.8L) piston-liner kit RE505110 |
| AGRICULTURAL | TRACTOR MODEL; 6505,6510,SE6510,6515(<-799999),6520(<-799999),SE6520 (<-799999) |
| INDUSTRIAL | |
| GENERATOR | |
| ENGINE TYPE / SERIAL / SERIES | 6068H (6.8L) / <-799999 / P.TECH |
| CYL / BORE (MM) / PIN (MM) | 6 / 106,50 / 41,00 |
| DETAILS | (6.8L) piston-liner kit RE505112 |
| AGRICULTURAL | TRACTOR MODEL; 6515(800000->),6520(800000->),SE6520 (800000->),6615, 6620,SE6620 (800000->),6715,7220,7320,7630,7720,7730,7815,7820 EUROPEAN, 7830,7930 COMBINE MODELS; 1165 (060007->),1170,1175 (060155->),1450 (south american),1450CWS, 1550CWS,1650CTS,2254(68584->),9400(701276->), 9410,9450,9540WTS(<-080015) HARVESTER; 770D,1070D (<-001300) |
| INDUSTRIAL | SLASH BUNDLER; 1490D (timberjack) EXCAVATOR; 230LC,230LCR,230LCRD, 270CLC,270LC MOTOR GRADER; 670C,670C2 (<-589369),670CH,670CH (<-589369),670CHII (<-589369), 672CH,672CHII (<-589369) FELLER BUNCHER; 643H,740,840,843H,893G LOGGER; 2054,2254 FORWERDER; 1110D(1121->), 1410D (0472-1200) |
| GENERATOR | |
| ENGINE TYPE / SERIAL / SERIES | 6068H (6.8L) / Tier3 / P.TECH PLUS C&F |
| CYL / BORE (MM) / PIN (MM) | 6 / 106,50 / 41,00 |
| DETAILS | (6.8L) piston-liner kit RE524450 |
| AGRICULTURAL | COMBINE MODELS; 9540i WTS(080016->) |
| INDUSTRIAL | LOADER; 644J (611232->) SKIDDER; 640H,648H,748H,848H EXCAVATOR; 270DLC CRAWLER; 755D SPRAYERS; 4730,4830 |
| GENERATOR | |
| ENGINE TYPE / SERIAL / SERIES | 6068H (6.8L) / Tier2 / P.TECH 2&4 VALVE |
| CYL / BORE (MM) / PIN (MM) | 6 / 106,50 / 41,00 |
| DETAILS | (6.8L) piston-liner kit RE516228 |
| AGRICULTURAL | TRACTOR MODEL; 7420(nort american) COMBINE MODELS; 9550(215341->), 9550SH(215285->),9560(080016->), 9560i(080016->), 9560SH(080016->), 9560STS(080016->) COTTON PICKER,STRIPPER; 9970 Late Engine |
| INDUSTRIAL | LOADER; 624J(<-611796) MOTOR GRADER; 670D,670CHII (589370->),670CII (589370->),672D,672CHII (589370->) FELLER BUNCHER; 643J,843J SPRAYERS; 4720 |
| GENERATOR | |
| ENGINE TYPE / SERIAL / SERIES | 6068H (6.8L) / Tier3 / P.TECH PLUS C&F |
| CYL / BORE (MM) / PIN (MM) | 6 / 106,50 / 41,00 |
| DETAILS | (6.8L) piston-liner kit RE516227 |
| AGRICULTURAL | TRACTOR MODEL; 6820,6920,6920S,7420,7520 (nort american) HARVESTER; 970D,1070D (001301->) |
| INDUSTRIAL | EXCAVATOR; 240DLC |
| GENERATOR | |

| | |
|--------------------------------------|--|
| ENGINE TYPE / SERIAL / SERIES | 6068H (6.8L) / Tier3 / P.TECH PLUS M |
| CYL / BORE (MM) / PIN (MM) | 6 / 106,50 / 41,00 |
| DETAILS | (6.8L) piston-liner kit RE527843 |
| AGRICULTURAL | TRACTOR MODEL; 6525,6530,6630,6830,6930,7130,7130PR(HRW72),7230,7230PR (HRW72),7330PR (HRW74),7430PR (HRW74) |
| INDUSTRIAL | LOADER; 544J(611800->) EXCAVATOR; 200DLC CRAWLER; 700J(Dozer139436->), 750J (Dozer 141344->) |
| ENGINE TYPE / SERIAL / SERIES | 6068H (6.8L) / Tier3 / P.TECH PLUS AG |
| CYL / BORE (MM) / PIN (MM) | 6 / 106,50 / 41,00 |
| DETAILS | (6.8L) piston-liner kit RE530616 |
| AGRICULTURAL | TRACTOR MODEL; 6530PR,6630PR,6830PR,6930PR,7130PR (HRW73),7230PR (HRW73),7330PR (HRW75),7430PR (HRW75),7530PR |
| INDUSTRIAL | SLASH BUNDLER; 1490D (kombi),1490D (std 2053->) LOADER; 624J (611797->) SKIDDER; 640G3 (604614->) FORWARDER; 1110D (2301->),1410D (1201->) |
| ENGINE TYPE / SERIAL / SERIES | 6068T (6.8L) / / P.TECH |
| CYL / BORE (MM) / PIN (MM) | 6 / 106,50 / 35,00 |
| DETAILS | (6.8L) piston-liner kit RE505111 |
| AGRICULTURAL | TRACTOR MODEL; 6603 (nort american) COTTON PICKER,STRIPPER; 7455,9935 |
| INDUSTRIAL | |
| ENGINE TYPE / SERIAL / SERIES | 6068T (6.8L) / / P.TECH |
| CYL / BORE (MM) / PIN (MM) | 6 / 106,50 / 35,00 |
| DETAILS | (6.8L) piston-liner kit RE507920 |
| AGRICULTURAL | TRACTOR MODEL; 6603 (mexican,south africa,asian) |
| INDUSTRIAL | CRAWLER; 700J (Dozer <-139435) |
| GENERATOR | |
| ENGINE TYPE / SERIAL / SERIES | 6068T (6.8L) / / P.TECH |
| CYL / BORE (MM) / PIN (MM) | 6 / 106,50 / 41,00 |
| DETAILS | (6.8L) piston-liner kit RE505112 |
| AGRICULTURAL | TRACTOR MODEL; 6520(<-799999),6605,6610,SE6610,6615,6620,SE6620 (<-799999),6715,6810,6910,6910S,SE6920,7210,7220,7405,7410,7420(mexico),7500(001337-),7510,7515(brazil),7520(mexico),7610 WINDROWER; 4990,4995 |
| INDUSTRIAL | BACKHOE LOADER; 710D (713824->),710G,710J LOADER; 330B(<-012092),335(<-012092),335C,544J(<-611799),435C,437C,430B(<-012092),435(<-012092),544H,544H LL,624H,624H LL,2254 SKIDDER; 360DC,360DG,540G(701060->),540G2,540G3,548G2,548G3,548G(701060->),640G(701060->),640G2,640G3 (<-604613),648G(701060->),648G2,648G3,460DC,460DG EXCAVATOR; 200LC,200CLC,230CLC,690ELC (704569->) CRAWLER; 750C(Bulldozer 715798->),750J(Dozer <-141343),750CII(Bulldozer 883332->) FELLER BUNCHER; 643G,643H,653E (713456->),653G,740,840,843H SPRAYERS; 4700,4710 |

Crankshaft



| Key | Ozgur No | OEM No | SUB No | Description |
|-----|----------|----------|------------|--|
| 1 | OT12500 | RE515785 | RE504639 | Crankshaft |
| 1 | OT12501 | RE505921 | TAPER TYPE | Crankshaft,For Short Block RE520381,RE520384 |
| 2 | OZ10080 | RE505515 | RE59810 | Seal,Front |
| 3 | OZ10020 | RE44574 | | Seal,Rear |
| 3 | OT10001 | AR92893 | AT22965 | Seal,Rear |
| 4 | OT12402 | R120631 | | Gear,Crankshaft Z-30 |
| 5 | OZ11814 | R28811 | | Ring Gear Z-129 |

Overhaul Kit



| Ozgur No | OEM No | Kit contents | | | Description |
|----------|-----------------------|----------------|--------------------|---------------|-----------------------------------|
| OT12511 | RE527300, RE66095 | Part No | Description | Pieces | Overhaul Kit, 6068D,Pin 35mm |
| | | RE505110 | Piston Kit | 6 | |
| | | RE65168 | Thrust Bearing | 1 | |
| | | RE65165 | main Bearing | 6 | |
| | | RE65908 | Conrod Bearing | 6 | |
| | | R98062 | Valve,Intake,Std | 6 | |
| | | R90692 | Valve,Exhaust,Std | 6 | |
| | | R123960 | Bushing | 6 | |
| | | RE505515 | Seal,Front | 1 | |
| | | RE44574 | Seal,Rear | 1 | |
| RE526965 | Full Gasket | 1 | | | |
| OT12512 | RE527301, RE66096 | Part No | Description | Pieces | Overhaul Kit, 6068T,Pin 35mm |
| | | RE507920 | Piston Kit | 6 | |
| | | RE65168 | Thrust Bearing | 1 | |
| | | RE65165 | main Bearing | 6 | |
| | | RE65908 | Conrod Bearing | 6 | |
| | | R98062 | Valve,Intake,Std | 6 | |
| | | R90692 | Valve,Exhaust,Std | 6 | |
| | | R123960 | Bushing | 6 | |
| | | RE505515 | Seal,Front | 1 | |
| | | RE44574 | Seal,Rear | 1 | |
| RE526965 | Full Gasket | 1 | | | |
| OT12513 | RE526966, RE509837 | Part No | Description | Pieces | Overhaul Kit, 6068T,H Pin 41mm |
| | | RE507850 | Piston Kit | 6 | |
| | | RE65168 | Thrust Bearing | 1 | |
| | | RE65165 | main Bearing | 6 | |
| | | RE65908 | Conrod Bearing | 6 | |
| | | R98062 | Valve,Intake,Std | 6 | |
| | | R90692 | Valve,Exhaust,Std | 6 | |
| | | R114082 | Bushing | 6 | |
| | | RE505515 | Seal,Front | 1 | |
| | | RE44574 | Seal,Rear | 1 | |
| RE526965 | Full Gasket | 1 | | | |

Piston Kit



| Key | Ozгур No | OEM No | SUB No | Description |
|-----|----------|----------|----------|--|
| 1 | OT12426 | RE505110 | RE65966 | Piston-Liner Kit,6.8D,Pin 35mm, |
| 1 | OT12427 | RE505111 | RE65967 | Piston-Liner Kit,6.8T,Pin 35mm,(<-340465) |
| 1 | OT12428 | RE507920 | | Piston-Liner Kit,6.8T,Pin 35mm, |
| 1 | OT12429 | RE507850 | RE505112 | Piston-Liner Kit,6.8T,H,Pin 41mm, |
| 2 | OT12430 | RE505101 | RE59279 | Piston,6.8D Pin 35mm for RE505110 |
| 2 | OT12431 | RE505100 | RE59277 | Piston,6.8T Pin 35mm for RE505111 |
| 2 | OT12432 | RE515372 | | Piston,6.8T Pin 35mm for RE507920 |
| 2 | OT12433 | RE505102 | RE55512 | Piston,6.8T,H Pin 41mm for RE507850 |
| 3 | OT12314 | RE66271 | | Ring, for RE505110,RE505111 |
| 3 | OZ10208 | RE507852 | RE66820 | Ring, for RE507850 |
| 4 | OZ10299 | R116383 | R515037 | Liner |
| 5 | OZ10214 | AR65507 | AR68318 | Seal Kit Viton |
| 5 | OT10200 | DD13277 | | Seal Kit Silicon |
| 6 | OT12434 | R123178 | | Piston Pin,35mm for RE505110,R 505111,RE507920 |
| 6 | OT12316 | R123177 | R101233 | Piston Pin,41mm for RE507850 |
| 7 | OZ10027 | M41029 | | Snap Ring, for R1 3178 Pin |
| 7 | OT10201 | R54114 | | Snap Ring, for R123177 Pin |
| 8 | OT12414 | RE60272 | | Connecting Rod,35mm(<-554035) |
| 8 | OT12415 | RE500002 | | Connecting Rod,35mm(554036->) |
| 8 | OT12416 | RE50770 | | Connecting Rod,41mm,(<-557154) |
| 8 | OT12417 | RE500608 | | Connecting Rod,41mm,(557155->) |
| 9 | OZ10309 | R123960 | R130603 | Bushing,Conrod,35mm |
| 9A | OZ10312 | R114082 | R130602 | Bushing,Conrod,41mm |
| 10 | OT12418 | R114083 | | Bolt,Conrod,64mm, for RE60272 |
| 10 | OT12326 | R501124 | | Bolt,Conrod,61mm, for RE500002 |

Bearing



| Key | Ozgur No | OEM No | SUB No | Description |
|-----|----------|------------|--------|-----------------------|
| 1 | OT12403 | RE65168 | | Thrust Bearing,Std |
| 1 | OT12404 | RE65912 | | Thrust Bearing,010 |
| 1 | OT12405 | RE65168-20 | | Thrust Bearing,020 |
| 1 | OT12406 | RE65168-30 | | Thrust Bearing,030 |
| 2 | OT12407 | RE65165 | | Main Bearing,Std. |
| 2 | OT12408 | RE65911 | | Main Bearing,010 |
| 2 | OT12409 | RE65165-20 | | Main Bearing,020 |
| 2 | OT12410 | RE65165-30 | | Main Bearing,030 |
| 3 | OZ10102 | RE65908 | | Con Rod Bearing, Std. |
| 3 | OT12411 | RE65909 | | Con Rod Bearing, 010 |
| 3 | OT12412 | RE65908-20 | | Con Rod Bearing, 020 |
| 3 | OT12413 | RE65908-30 | | Con Rod Bearing, 030 |

Valve and Camshaft



| Key | Ozgun No | OEM No | SUB No | Description |
|-----|----------|----------|---------|---|
| 1 | OT11907 | R98062 | | Valve,Intake,Std |
| 1 | OT11908 | | | Valve, Intake,003 |
| 1 | OT11909 | R97490 | | Valve,Intake,015 |
| 2 | OT11910 | R90692 | | Valve,Exhaust,Std |
| 2 | OT11911 | | | Valve,Exhaust,003 |
| 2 | OT11912 | R97492 | | Valve,Exhaust,015 |
| 3 | OT12502 | RE56578 | R135440 | Camshaft,W/O Gear, 6068D, T,H, 6068HRRW01, TP057, TP058, Code:4603,4604, 4624 |
| 3 | OT12503 | RE515611 | R515245 | Camshaft,W/O Gear, 6068H, 6068HRW62, Code:4611 |
| 3 | OT12504 | RE507149 | R504535 | Camshaft,W/O Gear, 6068H, 6068HRW60,HRW71,Code:4613 |
| 4 | OT12438 | R133812 | R120633 | Gear,Camshaft |
| 5 | OT10713 | R83429 | R54799 | Push Rod,L=265mm |
| 6 | OT12440 | R123565 | | Tappet |
| 7 | OT10714 | RE31617 | | Seal,Std |
| 8 | OT11916 | R91889 | | Lock, Retainer |
| 9 | OT11917 | RE60005 | RE31323 | Rototor |
| 10 | OZ10410 | R26125 | | Spring |
| 11 | OT11918 | R98063 | R106831 | Valve Seat Insert,Intake |
| 12 | OT11920 | R85687 | R106829 | Valve Seat Insert,Exhaust |
| 13 | OZ10409 | RE508317 | RE31973 | Rocker Arm |
| 14 | OZ10423 | R123514 | R54986 | Shaft |
| 15 | OZ10421 | R123161 | T20315 | Support, Rocker Arm Shaft |

Oil pump,Oil Cooler and Oil Filter



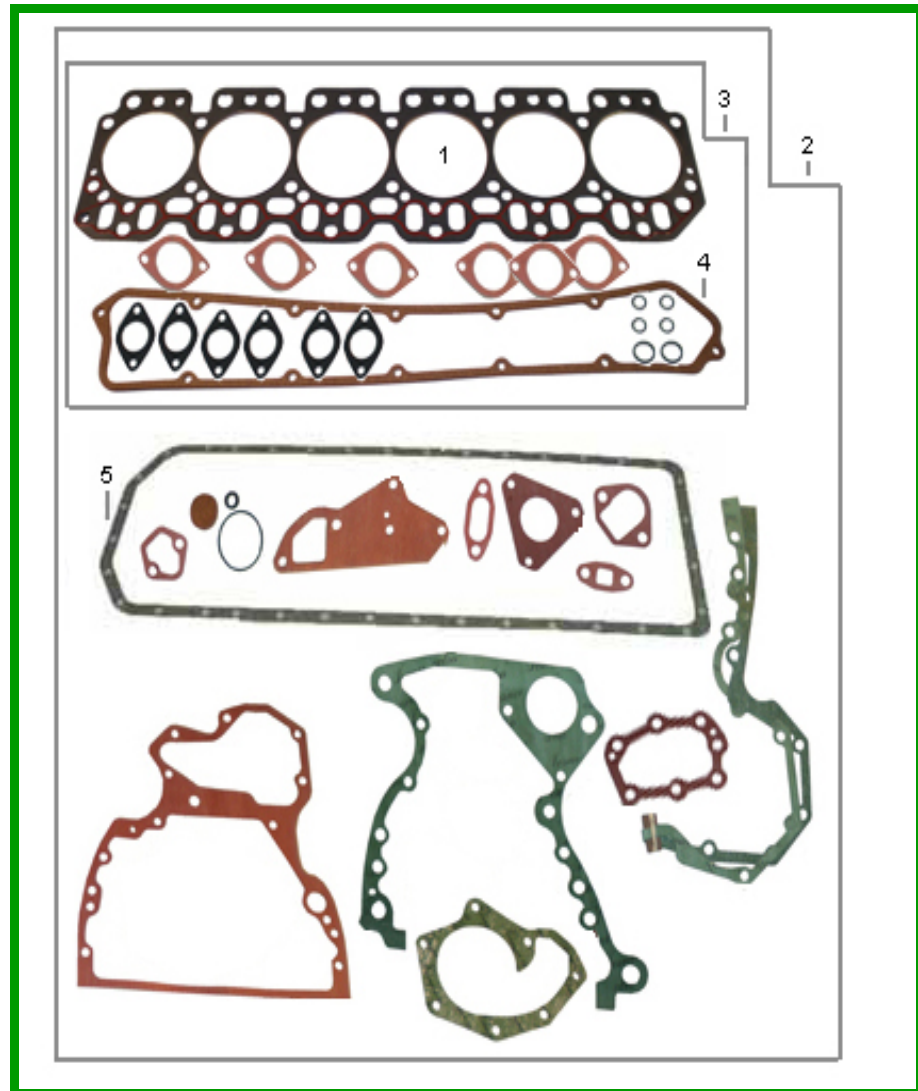
| Key | Ozgun No | OEM No | SUB No | Description |
|-----|----------|----------|----------|-------------------------------------|
| 1 | OZ10640 | RE504914 | RE502269 | Oil Pump Assy |
| 2 | OT12443 | RE505980 | RE500734 | Water Pump |
| 2 | OT12444 | RE505981 | RE500737 | Water Pump Low Flow |
| 3 | OZ11411 | AR48675 | RE524562 | Thermostat,82c, |
| 3 | OZ11405 | RE33705 | AT22961 | Thermostat,82c, |
| 4 | OT12450 | RE59754 | | Oil Filter |
| 5 | OT12451 | RE59298 | | Oil Cooler,9 Plates |
| 6 | OZ11805 | AT85174 | AR27977 | Switch,Oil |
| 7 | OZ11908 | AR78192 | AT21534 | Dipstick(<-557342) |
| 7 | OT12452 | RE502740 | | Dipstick(557343->) |
| 7 | OT12453 | RE69243 | | Dipstick (Code:4018,4035 6068D,T,H) |
| 8 | OZ12406 | RE51774 | AL24527 | Switch, Water Temp. |

Fuel System



| Key | Ozgur No | OEM No | SUB No | Description |
|-----|----------|---------|----------|--------------------------------|
| 1 | OT12454 | RE68345 | RE66153 | Fuel Pump |
| 2 | OT12341 | RE64292 | | Seal Kit,6.8T |
| 2 | OT10718 | RE65201 | | Seal Kit.6.8D |
| 3 | OT11936 | RE62419 | RE509031 | Fuel Filter A=109mm Code:3526 |
| 3 | OT11935 | RE62418 | RE64449 | Fuel Filter A=91mm (-706977) |
| 3 | OT11937 | RE60021 | | Fuel Filter A=71mm (706977-) |
| 4 | OZ11010 | RE48786 | RE44508 | Nozzle,(Turbo) 6.8T,H ,29279 |
| 4 | OZ11011 | RE60062 | SE500828 | Nozzle,[Non Turbo] 6.8D ,32262 |
| 5 | OZ11007 | AR85618 | | Kit |
| 6 | OZ11008 | R79605 | | Seal |
| 7 | OZ11003 | R60746 | R34764 | Seal |
| 8 | OZ11004 | R48000 | R34767 | Seal |

Gasket Set

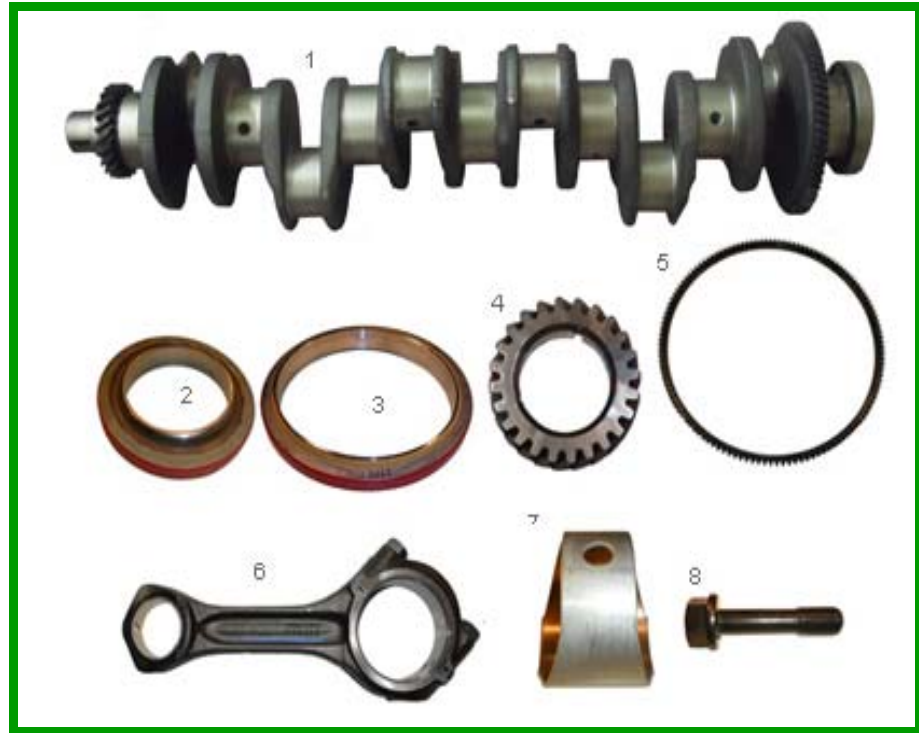


| Key | Ozgur No | OEM No | SUB No | Description |
|-----|----------|----------|----------|--------------------------|
| 1 | OT12505 | R116516 | | Head Gasket |
| 2 | OT12506 | RE526965 | RE501456 | Full Gasket With R521498 |
| 3 | OT12507 | RE526673 | RE66083 | Top Gasket |
| 4 | OT12508 | R123354 | | Gasket,Oil Pan(<-539541) |
| 4 | OT12509 | R521498 | R500349 | Gasket,Oil Pan(539642->) |
| 5 | OT12510 | R123543 | | Gasket,Rocker Cover |

ENGINE 6.081 A/D/H/T 8.1 L POWERTECH

| | |
|--------------------------------------|---|
| ENGINE TYPE / SERIAL / SERIES | 6081A (8.1L) / HIGH COMP. / P.TECH |
| CYL / BORE (MM) / PIN (MM) | 6 / 116,00 / 47,00 |
| DETAILS | (8.1L) piston-liner kit RE64509 |
| AGRICULTURAL | COTTON PICKER,STRIPPER; 9970 Late Engine |
| INDUSTRIAL | SCRAPER; 762B (Later Engine) |
| ENGINE TYPE / SERIAL / SERIES | 6081A (8.1L) / / P.TECH |
| CYL / BORE (MM) / PIN (MM) | 6 / 116,00 / 47,00 |
| DETAILS | (8.1L) piston-liner kit RE62791 |
| ENGINE TYPE / SERIAL / SERIES | 6081H (8.1L) / <-156457 / P.TECH |
| CYL / BORE (MM) / PIN (MM) | 6 / 116,00 / 47,00 |
| DETAILS | (8.1L) piston-liner kit RE64509 |
| AGRICULTURAL | TRACTOR MODEL; 7710 (090000->),7810 (090000->),7820 (NORT AMERICAN), 7920 (NORT AMERICAN),8100 (010000->)8100T,8110,8110T, 8120,8120T, 8200 (010000->),8200T,8210,8210T,8220, 8220T,8300(010000->), 8300T,8310, 8310T,8320T,8400(002974->),8400T,9100 COMBINE MODELS; 1550(south american),2256,2258,2264(68584->)2266(68584->),9510,9510SH, 9550(<-215340) 9550SH(<-215284),9560(<-080015),9560i(<-080015), 9560SH (<-080015), 9560STS(<-080015),9580,9640 COTTON PICKER,STRIPPER; 9996 HARVESTER; 753G(002064->),753GL(001032->),1270D(<-100000),1470D (<-000309), 1470DCH8 |
| INDUSTRIAL | LOADER; 644G (Late Engine),644H SKIDDER; 560D (200000->),748G3 (201617->) EXCAVATOR; 330CLC,330LC,330LCR,370,370C MOTOR GRADER; 770C,770CII, 770CH,770CHII,770D,772CH,772CHII,772D,870D,872D FELLER BUNCHER; 608B, 608L,608S,703G,703J,703JH,753J,753JH,759G,759J,759JH,850(008019->), 853G(003084->),900(001001->),903G(002001->),950(009004->),953(004005->) LOGGER; 3354 |
| ENGINE TYPE / SERIAL / SERIES | 6081H (8.1L) / <-265896 / P.TECH |
| CYL / BORE (MM) / PIN (MM) | 6 / 116,00 / 47,00 |
| DETAILS | (8.1L) piston-liner kit RE62791 |
| AGRICULTURAL | TRACTOR MODEL; 8400(<-002973),8410,8410T,8420,8420T(<-228883),8420T (239019->),9120(<-239018) COMBINE MODELS; 1185(38910->),2264(<-68583), 2266(<-68583),2266E,9610,9650,9650CTS, 9650STS, 660STS(<-233485), 9650 (south american), 9660,9660CTS,9680,9750,9750STS,9750STS(s.american),9760, 9760STS,9780,9780HM, 9780CTS COTTON PICKER, STRIPPER; 9976(<-074944), 9976(074945->),9986 HARVESTER; 3510(<-265896), 6650,7200 |
| INDUSTRIAL | FELLER BUNCHER; 853J,903J,909J,953J,959J |
| ENGINE TYPE / SERIAL / SERIES | 6081H (8.1L) / 265897-> / P.TECH |
| CYL / BORE (MM) / PIN (MM) | 6 / 116,00 / 47,00 |
| DETAILS | (8.1L) piston-liner kit RE508156 |
| AGRICULTURAL | TRACTOR MODEL; 8420T(228884-239018),8520,8520T, 9120(239019->) COMBINE MODELS; 9660STS(233486-702105),9680,9750,9750STS,9760,9760STS, 9780,9780HM, 9780CTS,9780i HARVESTER; 3510 (265897->) |
| INDUSTRIAL | SPRAYERS; 4920 |
| ENGINE TYPE / SERIAL / SERIES | 6081T (8.1L) / HIGH COMP. / P.TECH |
| DETAILS | (8.1L) piston liner kit RE64509 |
| AGRICULTURAL | TRACTOR MODEL; 7710(<-089999),7810(<-089999) |
| INDUSTRIAL | LOADER; 530B,535,535B,644J (<-611231),724J SKIDDER; 560D (<-199999),660D, 740G (Late Engine),748G (Late Engine),748G2,748G3 (<-201616),848G CRAWLER; 850C(Bulldozer 715798->),850CII(Bulldozer 883332->),850J (Dozer <-130855) FORWERDER; 1710D (<-1000) |

Crankshaft and compenents



| Key | Ozgun No | OEM No | SUB No | Description |
|-----|----------|----------|----------|-----------------------------------|
| 1 | OT12600 | RE55522 | | Crankshaft(<-142156),Helical Gear |
| 1 | OT12601 | RE530437 | RE505124 | Crankshaft(142157->),Spur Gear |
| 2 | OZ10088 | AR49025 | AR48728 | Seal,Front |
| 3 | OZ10078 | RE520036 | RE22764 | Seal,Rear |
| 4 | OT12602 | R104587 | | Gear,Crankshaft |
| 5 | OZ11814 | R28811 | | Ring Gear Z=129 |
| 6 | OT12610 | RE53154 | | Connecting Rod(<-85535) |
| 6 | OT12611 | RE535555 | RE501513 | Connecting Rod,(86536->) |
| 7 | OZ10307 | R74008 | | Bushing,Conrod |
| 8 | OZ10249 | R66452 | R26325 | Bolt,Conrod, for RE53154 |
| 8 | OT12612 | R501035 | | Bolt,Conrod, for RE501513 |

Overhaul Kit



| Ozgur No | OEM No | Kit contents | | | | Description |
|----------|-----------------------|--------------|-----------------------|----------|----------------|--------------------------|
| OT12643 | RE526962, RE504201 | Part No | Description | Part No | Description | Overhaul Kit, 6081A,T |
| | | RE64509 | Piston Kit | R84618 | Valve, Exhaust | |
| | | RE504198 | Thrust Main Bearing | R74008 | Bushing | |
| | | RE529319 | Main Bearing | AR49025 | Seal,Front | |
| | | RE57165 | Con Rod Bearing | RE22764 | Seal,Rear | |
| | | AR89622 | Thrust Washer Bearing | RE527549 | Full Gasket | |
| | | R84619 | Valve,Intake | | | |
| OT12644 | RE526963, RE504202 | Part No | Description | Part No | Description | Overhaul Kit, 6081H |
| | | RE62791 | Piston Kit | R84618 | Valve, Exhaust | |
| | | RE504198 | Thrust Main Bearing | R74008 | Bushing | |
| | | RE529319 | Main Bearing | AR49025 | Seal,Front | |
| | | RE57165 | Con Rod Bearing | RE22764 | Seal,Rear | |
| | | AR89622 | Thrust Washer Bearing | RE527549 | Full Gasket | |
| | | R84619 | Valve,Intake | | | |

Piston Kit



| Key | Ozgun No | OEM No | SUB No | Description |
|-----|----------|----------|---------|---|
| 1 | OT12604 | RE64509 | | Piston-Liner Kit ,H Type 6081A/T (2924->) |
| 1 | OT12605 | RE62791 | RE57189 | Piston-Liner Kit B Type 6081H [Code: 4803] (<-2923) |
| 2 | OT12606 | RE64170 | RE70688 | Piston, for RE64509 |
| 2 | OT12607 | RE65407 | RE70689 | Piston, for RE62791 |
| 3 | OT12608 | RE503528 | RE57188 | Ring, |
| 4 | OT12609 | R116236 | | Liner |
| 5 | OZ10242 | AR98850 | AR73628 | Seal Kit |
| 6 | OT11404 | R57771 | | Pin,Piston (47mm) |
| 7 | OT11405 | E1343FN | | Snap Ring |

Bearing



| KEY | Ozgur No | OEM No | SUB No | Description |
|-----|----------|-------------|---------------------|-----------------------|
| 1 | OZ10092 | RE529320 | RE57175 RE504198 | Thrust Bearing,Std |
| 1 | OZ10093 | RE504199 | RE57177 | Thrust Bearing,011" |
| 1 | OZ10094 | RE504200 | RE57178 | Thrust Bearing,022" |
| 2 | OZ10095 | RE529319 | RE504195 | Main Bearing,Std. |
| 2 | OZ10096 | RE534181 | RE504196 | Main Bearing,011" |
| 2 | OZ10097 | RE504197 | RE57173 | Main Bearing,022" |
| 3 | OZ10098 | RE529318 | R116081 RE57165 | Con Rod Bearing, Std. |
| 3 | OZ10100 | RE57167 | R121338 | Con Rod Bearing, 011" |
| 3 | OZ10101 | RE57165-022 | | Con Rod Bearing, 022" |
| 4 | OZ10090 | RE61253 | R124381 | Thrust Washer,Std |
| 4 | OZ10091 | RE61851 | | Thrust Washer,007" |

Valve



| Key | Ozgur No | OEM No | SUB No | Description |
|-----|----------|---------|---------|-------------------------------|
| 1 | OT11503 | R84618 | | Valve,Intake,Std |
| 1 | OT11504 | R93308 | | Valve,Intake,003 |
| 1 | OT11505 | R93312 | | Valve,Intake,015 |
| 2 | OT11506 | R84619 | | Valve,Exhaust,Std |
| 2 | OT11507 | R93311 | | Valve,Exhaust,003 |
| 2 | OT11508 | R93313 | | Valve,Exhaust,015 |
| 3 | OT11510 | RE57054 | R120872 | Camshaft W/O Gear (<-499999) |
| 4 | OZ10428 | R87561 | | Bushing Cam Shaft |
| 5 | OZ10424 | R85027 | AR40680 | Push Rod |
| 6 | OT11513 | R110126 | | Tappet |
| 7 | OT11560 | R102882 | | Valve seal |
| 8 | OZ10412 | T20077 | | Retainer |
| 9 | OT11630 | R91822 | | Spring |
| 10 | OT12616 | R136320 | R104534 | Rotator |
| 11 | OT12617 | R121193 | | Intake Standart Valve Insert |
| 11 | OT12618 | R119132 | | Exhaust Standart Valve Insert |

Oil pump and Oil Cooler



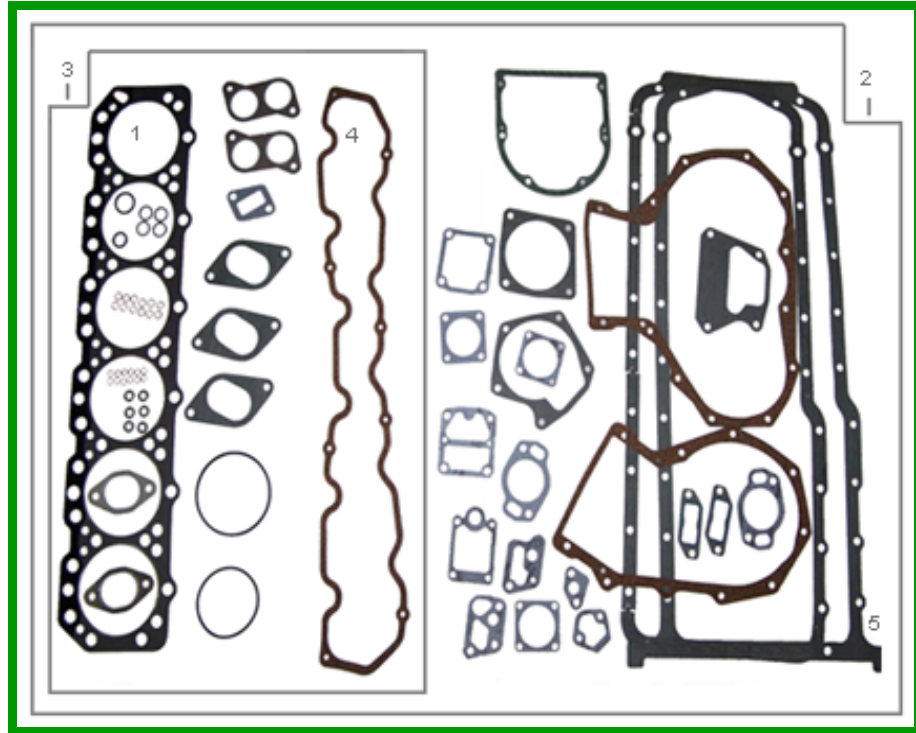
| Key | Ozgun No | OEM No | SUB No | Description |
|-----|----------|----------|----------|--------------------------|
| 1 | OZ10641 | RE60622 | RE507076 | Oil Pump Assy,(179988->) |
| 2 | OZ11411 | AR48675 | RE524562 | Thermostat,82c |
| 3 | OT11417 | RE57394 | RE46380 | Oil Filter |
| 4 | OT11124 | AR55394 | | Oil cooler |
| 5 | OT12620 | RE521502 | RE57154 | Water pump assy |
| 5 | OT12621 | RE521503 | RE508250 | Water pump assy |

Fuel System



| Key | Ozgun No | OEM No | SUB No | Description |
|-----|----------|---------|---------|------------------------------|
| 1 | OT12632 | RE48606 | | Fuel Pump AF030,TF030,TF001 |
| 1 | OT11638 | RE46375 | | Fuel Pump HF |
| 1 | OT12633 | RE46252 | | Fuel Pump AF,TF |
| 2 | OT11418 | AR86745 | RE27091 | Fuel Filter |
| 3 | OT12635 | RE63261 | | Nozzle Assy.TF [010000-] |
| 3 | OT12636 | RE61593 | | Nozzle Assy.AF,TF [567805-] |
| 3 | OT12637 | RE57152 | | Nozzle Assy. HF |
| 4 | OT12638 | RE42306 | | Nozzle,(7x.240), for RE61593 |
| 4 | OT12639 | RE57153 | | Nozzle,(7x.236), for RE57152 |
| 4 | OT12640 | RE64390 | | Nozzle,(7x.236), for RE63261 |

Gaskets



| Key | Ozgun No | OEM No | SUB No | Description |
|-----|----------|----------|----------|---------------------|
| 1 | OT11530 | RE55475 | | Head Gasket |
| 2 | OT12641 | RE527549 | RE506220 | Full Gasket |
| 3 | OT12642 | RE527550 | RE506222 | Top Gasket |
| 4 | OT11221 | R521228 | R49377 | Gasket,Oil Pan |
| 5 | OZ11817 | R49866 | R26356 | Gasket,Rocker Cover |

ENGINE 6090A/D/H/T 9.0L POWERTECH

| ENGINE TYPE / SERIAL / SERIES | 6090 (9.0L) / HIGH COMP. / P.TECH |
|-------------------------------|---|
| CYL / BORE (MM) / PIN (MM) | 6 / 118,35 / |
| AGRICULTURAL | <p>TRACTOR MODEL;7230R,7250R,7260R,7270R,7280R,7290R,7310R,8235R,8245R,8260R,8265R,8270R,8295R,8310R/RT,8320R/RT,8335R/RT,8345R/RT,8360R/RT,8370R/RT,9360R,9370R, 2854 672G 3520 703JH 3522 724K 4930 744K 4940 753J 7180 753JH 7200 759J 7250 759JH 7660 770G 8030 770GP 8130 8230 8230 8235R 8330 8245R 8430 8260R 8530 8270R 9230 8285R 9580 8295R 9660 8310R 9680 8320R 1270D 8335R 1270E 8345R 1470D 8430 1470E 8310RT 1710D 8530 ILS 1711D 903K 1910E 953K 250D 9640 300D C670 350DLC S560 350GLC S660 STS 3754D S670 380GLC T560 670G T660 903KH 909KH 909K 672GP 670GP 772GP 772G 8335RT 9560 STS 9670 STS 9660 STS 9770 STS 9760 STS S670 STS T670 W660 W650 8225R MFWD 8225R ILS 8130 ILS 8130 MFWD 8230 ILS 8330 ILS 8230 MFWD 8330 MFWD 8330T 8230T 8245R ILS 8245R MFWD 8270R ILS 8270R MFWD 8430T 8430 ILS 9560i STS</p> <p>COMBINE MODELS; W650,T560,S660,T660,W660,S670,S670HM,T670,</p> |
| INDUSTRIAL | <p>LOADER;644G (Late Engine),644H SKIDDER;560D (200000->),748G3 (201617->) EXCAVATOR;330CLC,330LC,330LCR,370,370C MOTOR GRADER;770C,770CII, 770CH,770CHII,770D,772CH,772CHII,772D,870D,872D FELLER BUNCHER;608B, 608L,608S,703G,703J,703JH,753J,753JH,759G,759J,759JH,850(008019->), 853G(003084->),900(001001->),903G(002001->),950(009004->),953(004005->) LOGGER;3354</p> |

Crankshaft and Components



| Key | Ozgur No | OEM No | SUB No | Description |
|-----|----------|----------|----------------------------------|-------------------|
| 1 | OT10660 | RE540429 | | Crankshaft, Tier2 |
| 1 | OT10661 | RE534315 | SE501774 | Crankshaft, Tier3 |
| 2 | OT10662 | RE543639 | RE542195 RE529775 RE534261 | Front Seal |
| 2 | OZ10088 | AR49025 | | Front Seal |
| 3 | OZ10078 | RE22764 | | Rear Seal |
| 3 | OT10663 | RE530121 | RE520036 | Rear Seal |
| 4 | OT12602 | R104587 | | Gear Crankshaft |
| 5 | OZ11814 | R28811 | | Ring gear |
| 6 | OT10664 | RE535554 | RE517436 SE501759 | Connecting rod |
| 7 | OZ10307 | R74008 | | Bush Conrod |
| 8 | OT12612 | R501035 | | Bolt, Con Road |

Overhaul Kit



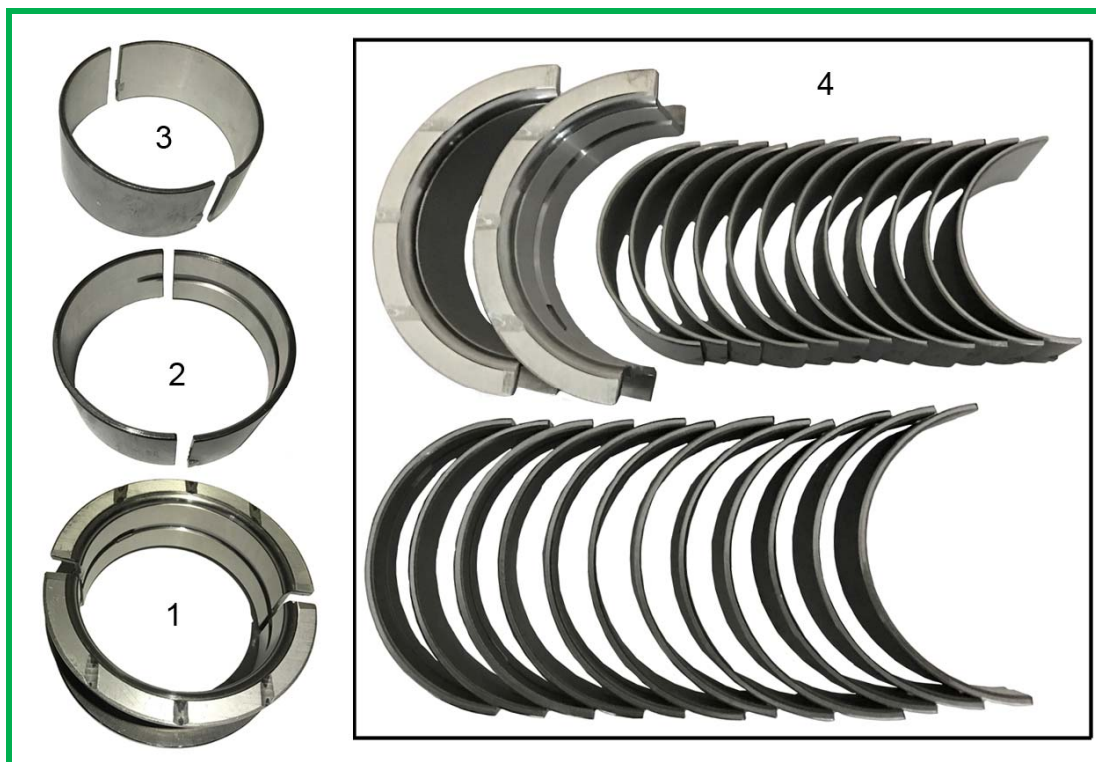
| Ozgun No | OEM No | Kit contents | | | | Description |
|----------|---------------------------------|--------------|---------------------|----------|------------------|------------------------|
| OT10665 | DZ10595 RE542628 | Part No | Description | Part No | Description | Overhaul Kit, 6090 |
| | | DZ10207 | Piston LinerKitx6 | R520224 | Valve, Exhaustx6 | |
| | | RE529320 | Thrust Main Bearing | R74008 | Bushingx6 | |
| | | RE529319 | Main Bearingx6 | RE535549 | Seal,Front | |
| | | RE538581 | ConRod Bearingx6 | RE535552 | Seal,Rear | |
| | | R520223 | Valve,Intakex6 | RE542595 | Full Gasket | |
| OT10666 | DZ10599 RE528398 RE531100 | Part No | Description | Part No | Description | Overhaul Kit, 6081H |
| | | DZ10207 | Piston Kit | R520224 | Valve, Exhaustx6 | |
| | | RE529320 | Thrust Main Bearing | R74008 | Bushingx6 | |
| | | RE529319 | Main Bearingx6 | RE543639 | Seal,Front | |
| | | RE538581 | ConRod Bearingx6 | RE520036 | Seal,Rear | |
| | | R520223 | Valve,Intakex6 | RE528400 | Full Gasket | |

Piston Kit



| Key | Ozgur No | OEM No | SUB No | Description |
|-----|----------|----------|-------------------|------------------|
| 1 | OT10667 | DZ10211 | RE545266,RE531072 | Piston-Liner Kit |
| 2 | OT10668 | RE529264 | | Piston, |
| 3 | OT10669 | DZ10083 | RE539642,RE531077 | Ring, |
| 4 | OT10670 | R530609 | R529710 | Liner |
| 5 | OZ10242 | AR98850 | RE541037 | Seal Kit |

Bearing



| KEY | Ozгур No | OEM No | SUB No | Description |
|-----|----------|----------|------------------|-----------------------|
| 1 | OZ10092 | RE529320 | RE504198,RE57175 | Thrust Bearing,Std |
| 1 | OZ10093 | RE534181 | RE504199,RE57177 | Thrust Bearing,011 |
| 2 | OZ10095 | RE529319 | RE504195,RE57170 | Main Bearing,Std. |
| 2 | OZ10096 | RE504196 | RE57172 | Main Bearing,011 |
| 3 | OZ10098 | RE529318 | RE57165 | Con Rod Bearing, Std. |
| 3 | OZ10100 | RE534185 | RE57167 | Con Rod Bearing, 011 |
| 4 | OT10671 | | | Full Bearing set std |
| 4 | OT10672 | | | Full Bearing set 011 |
| 4 | OT10673 | | | Full Bearing set 022 |

Valve



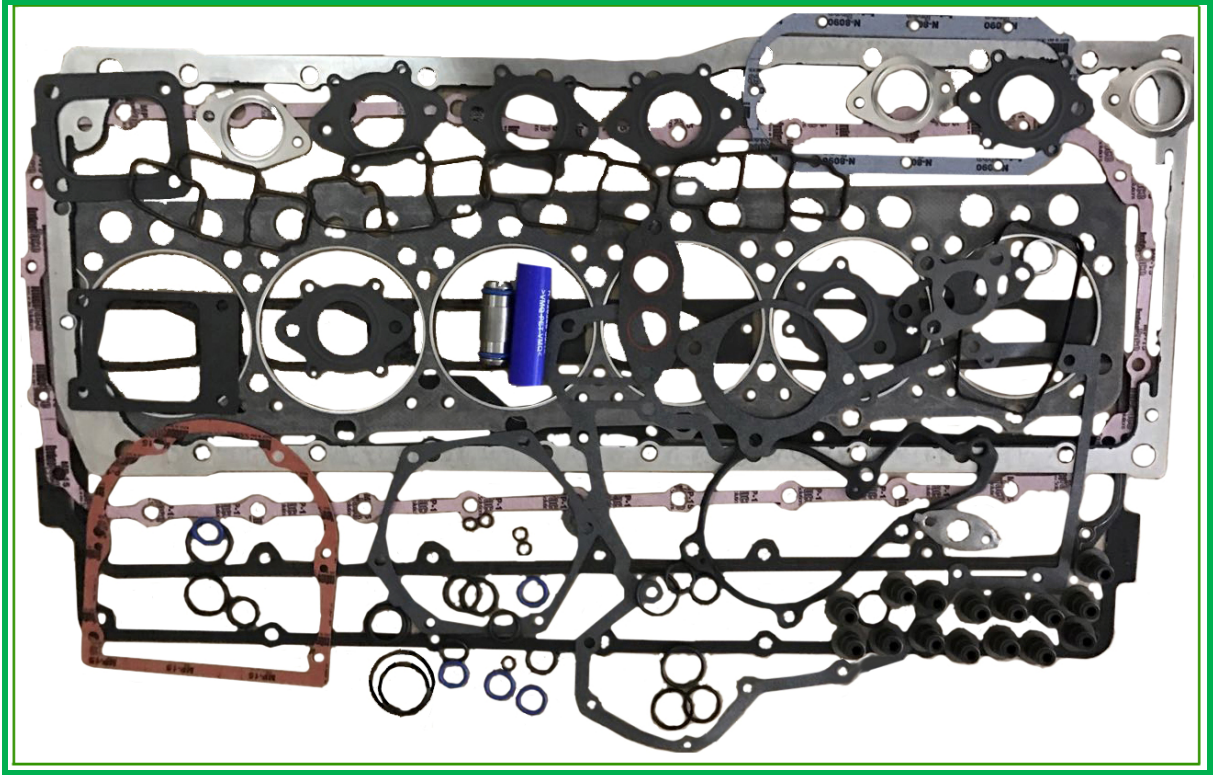
| Key | Ozgur No | OEM No | SUB No | Description |
|-----|----------|----------|----------|--|
| 1 | OT10674 | R520223 | | Valve,Intake,Std |
| 2 | OT10675 | R520224 | | Valve,Exhaust,Std |
| 3 | OT10676 | R522884 | | Camshaft W/O Gear (<-499999) |
| 4 | OZ10428 | R527877 | R87561 | Bushing Cam Shaft |
| 5 | OZ10424 | R85027 | | Push Rod |
| 5 | OT10677 | R536992 | | Push Rod tier3 |
| 6 | OT10678 | RE540586 | RE555307 | Tappet |
| 7 | OT10679 | RE529187 | | Seal |
| 8 | OT10680 | R520798 | | Retainer |
| 9 | OT10681 | R504235 | | Spring |
| 10 | OT10682 | R527286 | | Guide |
| 11 | OT10683 | R527285 | R522049 | Valve Insert, Intake, Exhaust Standart |
| 12 | OT10684 | RE535935 | RE519803 | Rocker arm,IN. |
| 12 | OT10685 | RE535934 | RE519802 | Rocker arm,EX. |

Oil Pump, Oil Cooler, Fuel Filter, Tensor Assy



| Key | Ozgur No | OEM No | SUB No | Description |
|-----|----------|----------|----------------------|-------------------------|
| 1 | OT10686 | RE543187 | RE533975,RE519513 | Oil Pump Assy |
| 2 | OT10687 | RE528652 | | Thermostat,180F |
| 2 | OT10688 | RE540550 | RE535274 DZ100553 | Thermostat,180F |
| 3 | OT11124 | AR55394 | | Oil Cooler |
| 4 | OT11417 | RE57394 | DZ101880 RE46380 | Oil Filter |
| 4 | OT10689 | RE521420 | DZ101884 | Oil Filter |
| 4 | OZ11372 | RE509672 | | Oil Filter,element type |
| 5 | OZTP1020 | RE518097 | | Tensor, belt |
| 5 | OT20097 | RE68715 | | Tensor, belt |
| 5 | OT10690 | RE57498 | | Tensor, belt |
| 6 | OT10691 | RE530194 | RE523828, RE501228 | Water pump |
| 7 | OT10692 | RE525523 | RE520906,RE523236 | Fuel Filter |

Gaskets



| Ozgur No | OEM No | SUB No | Description |
|----------|----------|---------|---------------------|
| OT10693 | R525541 | R504829 | Head Gasket |
| OT10694 | RE528400 | | Full Gasket Set, |
| OT10695 | RE528402 | | Top Gasket Set |
| OT10696 | R532464 | | Gasket,Oil Pan |
| OT10697 | R520844 | | Gasket,Oil Pan |
| OT10698 | R527884 | R518263 | Gasket,Rocker Cover |
| OT10699 | R526607 | | Gasket,Rocker Cover |

OIL FILTERS



OIL FILTERS

| Key | Ozgun No | OEM No | SUB No | Tractors | Engine type |
|-----|----------|----------|------------------|--|--|
| 1 | OZ11909 | T19044 | | 2510,310,510,710,820,920,1020,1120,1520,2020, 2120,2520,3120,2000,2100,2200,2300,2400,830,930,1030/OU/VU,1130,1530,1630/OU/VU,1830,2030/OU,2130,2630,3030,3130,3100,3200,3200X,3300,3300X,3400,3400X,3110,3210,3210X,3310,3310X,3410,3410X,1035/EF/EV,1635/EF/EV,2035/EF,2135,3135,840,940,1040/V,1140/F/V,1640/F,1840/F,2040/F/S,2140,2240,2440,2640,2840,2940,3040,3140,3340,3640,3640S,4040(EU),4040S,1445F,1745F,1845F,2345F,1350,1550,1750/V,1850 F/N/V,1950/F/N,2150,2250/F,2350,2450/F,2550,2650/CS/F/N/TSS,2750,2850,2950,3050,3150,3350,3650,4050,5200,5300/N,5400/N,5500/N,5203,5403,5105,5204,5205,5215/F/V,5315/F/V,5210,5310/N,5410,5220,5320/N,2155,2255,2355/N/CS/TSS,2755,2855N,2955,3055,3155,3255,6100/SE,6200//SE,6300/L/SE,6400/L/SE/SP,6500,6500L,6506,6600,6800,6900,7200,7400,7500(Std),7600,8430T,8530,9230,T300,T500,T700 | 3029D/T,3152D, 3164D,3179D/T,4039D/T, 4045D/T,4202D,4212D, 4239D/T,4276D,6059T, 6068D/T,6303D,6329D, 6359D/T,PowerTech 2.9D/T,PowerTech 4.5D/T, MWM:D226-3, D226-4, Zetor:5201D, 6201D, 7201D,7301D, 7701D |
| 2 | OT10651 | AR26350 | AR28110 | 3010,3020,4000,4010,4020 | 4270D, 6404D |
| 3 | OT11123 | AR43634 | | 4320,4520,4620,7020,4230,4430,4630,4040 (USA),4240,4240S,4440,4640,4840,8440,8430,8630,8640 | 6404A/DT,6466A/D/T,6619A, |
| 4 | OT11417 | RE57394 | RE46380,AR101278 | 6030,7020(335846->),7520,4040,4240(335846->),4440(335846->),4640(361359->),4840(361359->),4050E,4250,4450,4650,4850,8430(<-040123),8450,8650(<-040123),8850,8440,8640,8560,4055(179601->),4255(179601->),4455(179601->),4555(179601->),4755(179601->),4955(179601->),7700,7710,7800,7810,4560,4760,4960,8570,8100/T,8110/T,8200/T,8210/T,8300/T,8310/T,8400/T,8410/T, 9100,9120 | 6531D,6619A/T,6466A/D/T(335846->),6404A(335846->),6076A/T(<-499999),PowerTech 8.1A/H/T,PowerTech 9.0A/H/T |
| 5 | OZ11369 | RE21748 | AR98330 | 8450,8630,8640,8650,8760,8840,8850,8960,Engine bypass | 6619 A/T |
| 6 | OT11636 | RE44647 | | 8770, 8870, 8960(XXX->), 8970 | 6101 A/F |
| 7 | OZ11370 | RE519626 | | 5103(106597->),5203(106478->),5303(103383->),5225,5325N,5325 | 3029T, PowerTech 2.9D/T |
| 8 | OT12450 | RE59754 | | 3210,3210X,3310,3310X,3410,3410X,5415/H/V,5420N,5425,5510/N,5515/V,5520N,5615,5625,5715, 5725,6010, 6110/L, 6205,6210/L,6215,6310/L/S,6405,,6410/L/S,6505,6510/L/S,6603,6605,6610,6810,6910,6910S,7210,7405,7410,7500,7510,7610,7810(BR),SE6010,SE6110,SE6210,SE6310,SE6410,SE6510,S,SE6610 | 3029D/T,4039T,4045D/T,6059D,6068D/T,PowerTech 2.9D/T, PowerTech 4.5D/T,PowerTech 6.8D/T, |
| 9 | OZ11371 | RE504836 | RE507522 | 5415,5615,5620,5715,5720,5820,6215,6225,6403,6415,6425,6603,6625,6725,6020/SE,6120/L,6130,6220/L,6230/PR,6320/L,6330/PR,6420/L/S,6430/PR,6520/L,6530/PR,6620,6630/PR,6820,6830/PR,6920/S,6930/PR,7515,7220,7320,7330,7420,7520,7530,7130/PR,7230/PR,7330/PR,7430PR,7530PR,8130,8230/T,8330T,8430,SE6020,SE6120,SE6220,SE6320,SE6420,SE6520,SE6620,SE6920, | 4045D/T,6068D/T,PowerTech 4.5D/T,PowerTech 6.8D/T, |
| 10 | OZ11372 | RE509672 | | 6300/L,6230/PR,7710,7810,7820,7920,8120/T,8220/T,8320/T,8420/T,8520/T,8130,8230/T,8330/T,8430/T, 8530,9120,9230, | 4039T,PowerTech 4.5H,PowerTech 6.8H,PowerTech 9.0H, |
| 11 | OZ11373 | RE58935 | | 9200,9300,9400,9220,9320/T,9420/T,9520/T,9620/T, | PowerTech 10.5H,PowerTech 12.5H, |
| 12 | OZ11374 | RE530107 | | 9330,9430, 9430T,9530, 9530T,9630, 9630T | PowerTech 13.5H, |

FUEL FILTER



FUEL FILTER

| Key | Ozgun No | OEM No | SUB No | Tractors | Engine type |
|-----|----------|----------|---------------------|---|--|
| 1 | OZ11618 | AT17387 | | 820,920,1020,1120,2020,3020,1030,1130,2030 | 3152D,3164D, 3179D,4202D, 4239D,6303D |
| 2 | OZ11615 | AR50041 | | 820, 920,1020 1120, 1520, 3020, 4000, 4020, 4320,4520, 4620, 7020, 830, 930,1030 , 1130, 1530, 1630, 1830, 2030 , 2130 , 2630, 3030, 3130 , 4030, 4230, 4430, 4630, 1035, 1040, 1140, 1640, 1840,2040,2040S, 2140, 2240, 2440,2640, 2840, 2940, 3040, 3140, 3340, 3640, 3640S, 4040, 4040S, 4240, 4240S, 4440, 4640, 4840, 840, 940,1350, 1550, 1750, 1750V, 1850, 1850N, 1950, 1950N, 2150, 2250, 2450 , 2450, 2550, 2650, 2750, 2850, 2950, 3050, 3150 , 3350 , 3650, 4050, 2155, 2255, 2355, 2755, 2855N, 2955, 3055, 3155, 3255, 8430 | 3152D ,3164D , 3179D ,3179T, 4219D ,4239D, 4239T ,4270D , 4276D ,6329D , 6359D ,6359T , 6404A ,6404D , 6404T ,6466A , 6466D ,6466T |
| 3 | OZ11375 | AR44077 | AR28611 | 3010,4000,4010,4020,4520 | 4270D,6404D/T |
| 4 | OZ11376 | AR45098 | AR45097, | 3020, 4000, 4020 | 4270D,6404D |
| 5 | OZ11377 | AR86755 | | 4320, 4030, 4430, 4630, 4240S, 4440 (EU), 4440 (USA), 4640, 4840, 8440, 4050E, 4250, 4350, 4450, 4650, 4850, 4055, 4255, 4455 (USA), 4555, 4755, 4955, 4560, 4760, 4960, 6225, 7800, 8430, 8630, 8640, Water Separator | 6329D 6404A,6404T ,6466A,6466T ,6619A,6076A/T, PowerTech 4.5 H, PowerTech 10.1 H |
| 6 | OT11418 | AR86745 | | 4240S, 4440 (EU), 4440 (USA), 8440, 4050E, 4250, 4350, 4450, 4650, 4850, 8450, 4055, 4255, 4455 (MEX-6076T), 4455 (MEX-6466T), 4455 (USA), 4555, 4755, 4955, 4560, 4760, 4960, 8560, 8570, 8760, 8770, 8870, 7800, 7710, 7810, 8100 (6076, 8100T, 8200 , 8200T, 8300, 8300T, 8400, 8400T, 8110, 8110T, 8210, 8210T, 8310, 8310T, 8410, 8410T, 8630, 8650, 8850, 8640, 9100 | 6076A/T/H,6476A/T,66 19A, PowerTech 6.8T, PowerTech 8.1 H/T, |
| 7 | OZ11378 | AR103220 | | 4050, 4650, 4850, 8450, 8650, 4055, 4255, 4455 (USA), 4755, 4955, 4760, 4960, 7500 (001337->), 7600, 7800, 7710, 7810(- >089999),8100/T,8200/T,8300/T, | 6466A/D, 6619A,6076A/T, PowerTech 6.8D/T,H, PowerTech 8.1 H/T |
| 8 | OT12634 | RE508633 | RE62423, RE65431 | 8770, 8870, 7710 (6081T) (SN->089999) , 7810 (BR), 7810 (USA - 6081T) (SN->089999) , 8100 (6076H), 8100 (6081H), 8100T, 8200 (6076H), 8200 (6081H), 8200T, 8300 (6076H), 8300 (6081H), 8300T, 8400, 8400T, 8110, 8110T, 8210, 8210T, 8310, 8310T, 8410, 8410T, 9100, Water separator | PowerTech 6.8T, PowerTech 8.1 H/T, |
| 9 | OT11935 | RE62418 | | 3100, 3200, 3200X, 3300, 3300X, 3400, 3400X, 3110, 3210 , 3210X , 3210X , 3310 , 3310X , 3410 , 3410X , 5200, 5300, 5300N, 5400, 5400N , 5500 , 5500N, 5303 , 5403 , 6100, 6100SE, 6200, 6200L, 6200SE, 6300, 6300L, 6300SE, 6400, 6400L, 6400SE, 6400SP, 6500, 6500L, 6506, 6600, 6800, 6900, 6403, 6603, 6205, 6215 , 6405, 6415, 6505, 6515 , 6605, 6615 , 6715, 6010, 6010SE, 6110 , 6110L, 6110SE, 6210, 6210L, 6210SE, 6310 , 6310L, 6310S, 6310SE, 6410, 6410L, 6410S, 6410SE, 6510, 6510L, 6510S, 6510SE, 6610, 6610SE, 6810, 6910, 6910S, 6020, 6020SE , 6120 , 6120L, 6120SE, 6220 , 6220L, 6220SE, 6320, 6320L, 6320SE, 6420, 6420L, 6420S, 6420SE, 6520, 6520L, 6520SE , 6620, 6620 SE, 6820, 6920, 6920S, 7220, 8430T, 8530,9230 | 3029D/T,4039D/T,4045 D/T/,6059T,6068D/T, PowerTech 2.9D/T, PowerTech 6.8D/T,H PowerTech 8.1 H/T, PowerTech 10.1 H |
| 10 | OT11937 | RE60021 | | 3400, 3400X, 3110, 3210, 3210X, 3310, 3310X , 3410 , 3410X, 5103 , 5203, 5303 , 5403 , 5503 , 5105, 5204, 5205, 5215, 5215F, 5215V, 5315, 5315F, 5315V, 5415, 5415H, 5415N, 5425 (MEX), 5425H , 5425HC, 5425N (MEX), 5605, 5705, 5210, 5310 , 5310N , 5310S, 5410 , 5410N, 5510 , 5510N, 5610 , 5515, 5515F, 5515HC, 5515V, 5615 , 5615F, 5615V, , 5715HC, 5220, 5320, 5320N, 5420, 5420N, 5520, 5520N, 5625 (MEX), 5625HC, 5725, 5725H, 5725HC, 5725N, 6100, 6100SE, 6200 , 6200L, 6200SE, , 6300L, 6300SE, 6400, 6400L, 6400SE, 6400SP (Std), 6403, 8430T, 8530,9230 | 3029T,4039D/T,4045D/ T,PowerTech 2.9D/T |
| 11 | OZ11379 | RE508953 | | 5103 , 5103E ,5103S (Asia), 5103S (IND), 5203 (IND), 5203S , 5104, 5204 (IND), 5310 (IND) | 3029, PowerTech 2.9H |

FUEL FILTER



FUEL FILTER

| Key | Ozгур No | OEM No | SUB No | Tractors | Engine type |
|-----|----------|----------|--------|---|--|
| 12 | OZ11380 | RE508954 | | 5103 , 5103E ,5103S (Asia), 5103S (IND), 5203 (IND), 5203S , 5104, 5204 (IND), 5310 (IND) | 3029, PowerTech 2.9H |
| 13 | OT11936 | RE62419 | | 5200, 5300, 5300N, 5400, 5400N , 5620, 5720, 5820, 6100, 6100SE, 6200, 6200L, 6200SE, 6300, 6300L, 6300SE, 6400, 6400L, 6400SE, 6400SP, 6500, 6500L, 6506, 6600, 6800, 6900, 6403, 6603 , 6205, 6215, 6405 , 6415 , 6425 (MEX), 6505, 6515, 6605 , 6615, 6715 , 6010, 6010, 6110L, 6110SE, 6210, 6210L, 6210SE, 6310 , 6310L, 6310S, 6310SE, 6410, 6410L, 6410S, 6410SE, 6510, 6510L, 6510S, 6510SE, 6610, 6610SE, 6810, 6910, 6910S, 6020 , 6020SE, 6120, 6120L, 6120SE, 6220 (EU), 6220 (USA), 6220L, 6220SE, 6320 , 6320L, 6320SE , 6420, 6420L, 6420S, 6420SE, 6520 , 6520L, 6520SE, 6620 , 6620 SE, 6820, 6920, 6920S, 7200, 7400, 7500 , 7600, 7700, 7405, 7425, 7505, 7515, 7525, 7210, 7410, 7510, 7610, 7810 (BR), 7320 , 7420 , 7520 , 8430T, 8530,9230 | 3029D,4039D/T,4045 D/T/,6059T,6068D/T, PowerTech 2.9D/T, PowerTech 6.8D/T,H PowerTech 8.1 H/T, |
| 14 | OZ11381 | RE522868 | | 5603 (USA), 5425 (USA), 5425N (USA), 5525, 5525N, 5725, 5725N | PowerTech 4.5/T |
| 15 | OZ11382 | RE509208 | | 6205, 6215, 6405 (USA), 6415 (USA), 6505, 6515 , 6605 (USA), 6615 (USA), 6715 , 6010, 6010SE, 6110 , 6110L, 6110SE, 6210, 6210L, 6210SE, 6310, 6310L, 6310S, 6310SE, 6410, 6410L, 6410S, 6410SE, 6510, 6510L, 6510S, 6510SE, 6610, 6610SE, 6810, 6910, 6910S, 6020 , 6020SE, 6120, 6120L, 6120SE, 6220 , 6220L, 6220SE, 6320, 6320L, 6320SE, 6420 , 6420L, 6420S, 6420SE, 6520, 6520L, 6520SE, 6620, 6620 SE , 6820, 6920, 6920S, | 4045D/T,6068D/T, PowerTech 4.5/T, PowerTech 6.8D/T,H |
| 16 | OZ11383 | DQ24057 | | 6405 (BR), 6415 (BR), 6605 (BR), 6615 (BR), 7505, 7515, Pre Filter | PowerTech 4.5T, PowerTech 6.8T |
| 17 | OZ11384 | RE525523 | | 6300 ,6300L, 6225, 6230 , 6230PR , 8130, 8230, 8230T, 8330, 8330T, 8430, 8430T, 8530, 9230 | 4039T, PowerTech 4.5H |
| 18 | OT11936 | RE509031 | | 6215, 6415, 6515 , 6715, 6020, 6020SE, 6120 , 6120L, 6120SE, 6220 , 6220L, 6220SE, 6320, 6320L, 6320SE , 6420, 6420L, 6420S, 6420SE, 6520, 6520L, 6520SE , 6620, 6620 | 4045D/T,6068D/T, PowerTech 4.5D/T, PowerTech 6.8D/T,H |
| 19 | OZ11385 | RE526557 | | 6225, 6325, 6425 , 6130, 6230 , 6230PR , 6330 , 6330PR , 6430 , 6430PR, 6530PR, 6630PR, 8130, 8230, 8230T, 8330, 8330T, 8430, | PowerTech 4.5H, PowerTech 6.8H |
| 20 | OZ11386 | RE529644 | | 6225, 6325, 6425 , 6130, 6230 , 6230PR , 6330 , 6330PR , 6430 , 6430PR, 6530PR, 6630PR, 8130, 8230, 8230T, 8330, 8330T, 8430, Pre Filter | PowerTech 4.5H, PowerTech 6.8H |
| 21 | OZ11387 | RE509032 | | 6515, 6520, 6520SE , 6620, 6620 SE , 6820, 6920, 6920S, 7715, 7815, 7220, 7320, 7420, 7520 , 7720, 7820 (EU), 7130, 7130PR, 7230, 7230PR, 7330, 7330PR , 7630, 7730, 7830, 7930, | PowerTech 8.1D/T/H |
| 22 | OZ11388 | RE509036 | | 6515, 6520, 6520SE , 6620, 6620 SE , 6820, 6920, 6920S, 7715, 7815, 7220, 7320, 7420, 7520 , 7720, 7820 (EU), 7130, 7130PR, 7230, 7230PR, 7330, 7330PR , 7630, 7730, 7830, 7930, , Pre Filter | PowerTech 8.1D/T/H |
| 23 | OZ11389 | R502778 | | 7710 (SN 090000->) , 7810 (USA) (SN 090000->) , 8120, 8120T, 8220, 8220T, 8320, 8320T, 8420, 8420T, 8520, 8520T,.,9120 | PowerTech 8.1H |
| 24 | OZ11390 | RE522372 | | 7715, 7815, 7710 (SN 090000->) , 7810(USA)(SN 090000->) , 7820 (USA), 7920, 8120, 8120T, 8220, 8220T, 8320, 8320T, 8420, 8420T, 8520, 8520T,9120 | PowerTech 6.8H, PowerTech 8.1H |

FUEL FILTER



| Key | Ozгур No | OEM No | SUB No | Tractors | Engine type |
|-----|----------|----------|----------|---|----------------------|
| 25 | OZ11391 | RE522688 | | 7710 (SN 090000->), 7810 (USA) (SN 090000->), 7820 (USA), 7920, 8120, 8120T, 8220, 8220T, 8320, 8320T, 8420, 8420T, 8520, 8520T, 9120 | PowerTech 8.1H |
| 26 | OZ11392 | RE531703 | RE522687 | 7710 (SN 090000->), 7810 (USA) (SN 090000->), 7820 (USA), 7920, 8120, 8120T, 8220, 8220T, 8320, 8320T, 8420, 8420T, 8520, 8520T, 9120 | PowerTech 8.1H |
| 27 | OZ11393 | RE517180 | | 6520 , 6620 , 6820, 6920, 6920S, 7715, 7815, 7220 , 7320 , 7420 (USA), 7520 (USA), 7720, 7820 (EU), 7130, 7130PR , 7230, 7230PR , 7330, 7330PR , 7430PR, 7530PR, 7630, 7730, 7830, 7930, Pre Filter | PowerTech 6.8D/T,H |
| 28 | OZ11394 | RE522878 | | 6525, 6530, 6530PR, 6630, 6630PR, 6830, 6830PR, 6930, 6930PR, 7715, 7815, 7130, 7130PR (Powertech Plus), 7230, 7230PR, 7330, 7330PR , 7430PR , 7530PR, 7630, 7730, 7830, 7930, | PowerTech 8.1H |
| 29 | OZ11395 | RE529643 | | 6525, 6530, 6530PR, 6630, 6630PR, 6830, 6830PR, 6930, 6930PR, 7715, 7815, 7130, 7130PR (Powertech Plus), 7230, 7230PR, 7330, 7330PR , 7430PR , 7530PR, 7630, 7730, 7830, 7930, Pre Filter | PowerTech 8.1H |
| 30 | OZ11396 | AR103220 | | 8100, 8100T, 8200, 8200T, 8300, 8300T | 6076, PowerTech 8.1H |
| 31 | OZ11397 | RE515345 | | 9120, 9200 , 9220 , 9320 , 9320T ,9400 , 9420 , 9420T , 9520 , 9520T , 9620 , 9620T , Pre Filter | PowerTech 8.1H |
| 32 | OZ11398 | RE506428 | | 9120, 9200 (->003713), 9220 , 9320 , 9320T, 9400 (->010637) , 9420, 9420T, 9520, 9520T, 9620, 9620T | PowerTech 8.1H |
| 33 | OZ11399 | RE532952 | | 7230R,7260R,7280R,7235R,7265R,7285R,8310R,8365R,8385R,9330,9430, 9430T,9530, 9530T,9630, 9630T | PowerTech 13.5H |
| 34 | OZ11400 | RE533910 | | 9330,9430, 9430T,9530, 9530T,9630, 9630T | PowerTech 13.5H |

AIR FILTERS



AIR FILTERS

| Key | Ozgun No | OEM No | SUB No | Tractors | Engine type |
|-----|----------|---------|------------------|--|--|
| 1 | OZ11503 | AT20728 | AH19852 | 310, 510, 710,820,920,1020,1120,2020,3020,1030, 1130,2030, 3010,2040,2440, 5200, 5300,outer | 3152D, 3164D, 3179D, 4202D,4212D, 4239D,4270D, 6303D,6404D |
| 2 | OZ11417 | AH19848 | | 2510, 2520, 3020, outer | 4202D ,4219D, 4270D |
| 3 | OZ11501 | AR84228 | AE31723 | 1040 /V, 1140 F/V, 1640, 1640F, 1840/F, 2040/S, 2640, 840, 940/V,1350,1550,1750/V,1850/F/N/V,1950/F/N,2150, 2250/F, 2350, 2450 /F, 2550, 2650/CS/N/TSS, 2155, 2255,outer | 3179T,4239T |
| 4 | OZ11502 | AL27159 | AE31724 | 1040 /V, 1140 F/V, 1640, 1640F, 1840/F, 2040/S, 2640, 840, 940/V,1350,1550,1750/V,1850/F/N/V,1950/F/N,2150, 2250/F, 2350, 2450 /F, 2550, 2650/CS/N/TSS, 2155, 2255,inner | 3179T,4239T |
| 5 | OZ11418 | AR46481 | | 2520,3020, Without pre-cleaner ,outer | 4219D,4270D |
| 6 | OZ11419 | AR39798 | | 3020, 4000, 4020, Diesel with pre-cleaner,outer | 4270D |
| 7 | OZ11420 | AL27158 | | 3120, 4000, 4020, 4320, 3030, 3130, 3135, 2840, 2950, 3050, 3350,outer | 6303D,6329D , 6359D/T,6404D/T |
| 8 | OZ11421 | AL27160 | | 3130,31135, inner | 6329D |
| 9 | OZ11422 | AR49839 | AR61967, AR79679 | 4320, 4430, 4240, 4240S, 4440, 4050 , 4050E, 4250, 4350, 4450, 4055, 4255, 4455,outer | 6076D,6404T, 6466D/T |
| 10 | OZ11423 | AR49840 | AR79680, AR61968 | 4320, 4430, 4240, 4240S, 4440, 4050 , 4050E, 4250, 4350, 4450, 4055, 4255, 4455, inner | 6076D,6404T, 6466D/T |
| 11 | OZ11424 | AR61988 | | 4520, 4620, 7020, inner | 6404A/T |
| 12 | OZ11425 | AR79941 | AR54336 | 4030,4230,3140, 3340,3640S, 4040, 4040S,4240, 4050, outer | 4359D/T,6404D, 6466D |
| 13 | OZ11426 | AR79942 | AR54337 | 4030,4230,3140, 3340,3640S, 4040, 4040S,4240, 4050, inner | 4359D/T,6404D, 6466D |
| 14 | OZ11427 | AR81313 | AR57025 | 4630, 2450 (DE), 2550, 2650CS, 2650N, 2650TSS, 2850 (DE), 3050, inner | 6359D,6404A |
| 15 | OT20160 | AR70106 | | 8440, 8450, 8560, 8570, 8430, 8640, 8650, outer | 6076H, 6466A,6629A |
| 16 | OT20159 | AR70107 | | 8440, 8450, 8560, 8570, 8430, 8640, 8650, inner | 6076H, 6466A,6629A |
| 17 | OZ11428 | AL30394 | DE17263 | 3030, 3130, 2040S (DE), 2140 , 2940, 3040, 3640, 2250 (ES), 2250F, 2450 (ES), 2450F, 2650, 2650F, 2750, 2850 , 2950, 3150, outer | 4239D/T, 6359D |
| 18 | OZ11429 | AL30395 | CE16309 | 2040S (DE), 2140 , 2940, 3040, 3640, 2250 (ES), 2250F, 2450 (ES), 2450F, 2650, 2650F, 2750, 2850 , 2950, 3150, inner | 4239D/T, 6359D |
| 19 | OZ11430 | AZ20623 | | 2250 , 2250F, 2450 , 2650CS, 2650N, 2650TSS, 2750, 2850 , 2950, 3050, 3350, outer | 4239D/T,6359D/T |
| 20 | OZ11431 | AL58730 | | 2250 , 2250F, 2450 , 2650CS, 2650N, 2650TSS, 2750, 2850 , 2950, 3050, 3350, 2355, 2555CS, 2555TSS, 2755, 2855N, 2955, 3055, 3155, inner | 4239D/T,6359D/T |
| 21 | OZ11432 | AL65051 | | 1350, 1550, 1750, 1850 , 1850F, 1850N, 1950 , 1950F, 1950N, 2250 (DE), 2450 (DE), 2650CS, 2155, 2355, 2355N, 2555CS, 2555TSS, outer | 3179D/T ,4239D/T |
| 22 | OZ11433 | AZ30757 | | 2700, 2800, 2900, 3350 , 3650, 3255, With altitude compens, outer | 6359D/T |

AIR FILTERS



AIR FILTERS

| Key | Ozgur No | OEM No | SUB No | Tractors | Engine type |
|-----|----------|--------------|----------|--|--|
| 23 | OZ11434 | AZ30758 | | 2700, 2800, 2900, 3350 , 3650, 3255 , , inner | 6359D/T |
| 24 | OZ11435 | AR80652 | | 4640, 4840, 8440, 4650, 4850, 4555, 4755, 4955, 4560, outer | 6076A/T,6466A |
| 25 | OZ11436 | AR80653 | | 4640, 4840, 8440, 4650, 4850, 4555, 4755, 4955, 4560, inner | 6076A/T,6466A |
| 26 | OZ11437 | RE46310 | | 4755, 4955, 4560, 4760, 4960, outer | 6076A/T |
| 27 | OZ11438 | RE46311 | | 4755, 4955, 4560, 4760, 4960, inner | 6076A/T |
| 28 | OZ11439 | AR95758 | | 8760, 8770, 8870, 8960, outer | 6619A |
| 29 | OZ11440 | AR95759 | | 8760, 8770, 8870, 8960, inner | 6619A |
| 30 | OZ11441 | RT6005011111 | | 3100, 3200, 3200X, 3300, 3300X, 3400, 3400X, 3110, 3210, 3210X , 3310 , 3310X , 3410, 3410X pre-cleaner | 3029D,4039D/T, 4045D, PowerTech 4.5D/T |
| 31 | OZ11442 | RT6005011112 | | 3100, 3200, 3200X, 3300, 3300X, 3400, 3400X, 3110, 3210, 3210X , 3310 , 3310X , 3410, 3410X pre-cleaner | 3029D,4039D/T, 4045D, PowerTech 4.5D/T |
| 32 | OZ11443 | RE45825 | | 5200 (->xxxxxx), 5300(->xxxxxx) , outer | 3029D |
| 33 | OZ11444 | RE45826 | | 5200 (->xxxxxx), 5300(->xxxxxx) , inner | 3029D |
| 34 | OZ11445 | RE68048 | | 5200(xxxxxx->), 5300(xxxxxx->), outer | 3029D |
| 35 | OZ11446 | RE68049 | | 5200(xxxxxx->), 5300(xxxxxx->), inner | 3029D |
| 36 | OZ11447 | RE45827 | | 5300N, 5400, 5400N, 5500 , 5500N, outer | 3029D/T,4039D/T |
| 37 | OZ11448 | RE45828 | | 5300N, 5400, 5400N, 5500 , 5500N, inner | 3029D/T,4039D/T |
| 38 | OZ11449 | AT171853 | | 5103 ,5203 ,5303 ,5403 ,5503 ,5215/F/V, 5315/F/V, 5415/H/N, 5605,5705,5210,5310/N/S, 5410/N, 5510/N ,5610,5615 ,5715/HC, 5220, 5320/N, 5420/N, 5520/N, 6403, outer | PowerTech 2.9D/T, PowerTech 4.5D/T |
| 39 | OZ11450 | AT171854 | | 5103 ,5203 ,5303 ,5403 ,5503 ,5215/F/V, 5315/F/V, 5415/H/N, 5605,5705,5210,5310/N/S, 5410/N, 5510/N ,5610,5615 ,5715/HC, 5220, 5320/N, 5420/N, 5520/N, 6403, inner | PowerTech 2.9D/T, PowerTech 4.5D/T |
| 40 | OZ11451 | ER263060 | | 5215, 5315, 5415, 5515, high crop 5215F, 5215V, 5315F, 5315V, 5515F, 5515HC, 5515V, 5615F, 5615V, , outer | PowerTech 2.9D/T, PowerTech 4.5D/T |
| 41 | OZ11452 | ER263059 | | 5215, 5215F, 5215V, 5315, 5315F, 5315V, 5415, 5515, 5515F, 5515HC, 5515V, 5615F, 5615V, inner | PowerTech 2.9D/T, PowerTech 4.5D/T |
| 42 | OZ11453 | KV16429 | | 5603, 5425, 5425H , 5425HC, 5425N, 5525, 5525N, 5625, 5625HC, 5725, 5725H, 5725HC, 5725N, outer | PowerTech 4.5D/T |
| 43 | OZ11454 | AZ55542 | | 5620, 5720, 5820, outer | PowerTech 4.5D/T |
| 44 | OZ11455 | AZ55541 | | 5620, 5720, 5820, inner | PowerTech 4.5D/T |
| 45 | OZ11456 | AL78223 | | 6100/SE, 6200/L/, 6300/L/SE, 6300SE, 6400/L/SE/SP, 6500/L, 6205, 6405, 6505, 6010/SE, 6110/L, 6210SE, 6310/L/S/SE, 6510LS/SE, 7200, 8430T, 8530, 9230, outer | 4039T,4045D/T, 6059T, PowerTech 4.5D/T, PowerTech 6.8D |
| 46 | OZ11457 | AL78224 | | 6100/SE, 6200/L/, 6300/L/SE, 6300SE, 6400/L/SE/SP, 6500/L, 6205, 6405, 6505, 6010/SE, 6110/L, 6210SE, 6310/L/S/SE, 6510LS/SE, 7200, 8430T, 8530, 9230, inner | 4039T,4045D/T, 6059T, PowerTech 4.5D/T, PowerTech 6.8D |
| 47 | OZ11458 | AL172780 | AL119839 | 6215, 6225, 6415, 6020/SE, 6120/L/SE, 6220/L//SE, 6320/L, 6420/L/S/SE, 6520/L/SE, 6620/ SE, 6820, 6920, 6920S, 6230/PR, 6230PR, 6330PR, 6430/PR, 6530/PR, 6630/PR, 6830/PR, 6930/PR, 7515, 7220, 7320, 7420, 7520 , 7130/PR, 7230/PR, 7330/PR, 7430PR, 7530PR, 8130, 8230, 8230T, 8330T, 8430, outer | 6466A,PowerTech 4.5D/T/H, PowerTech 6.8D/T/H |

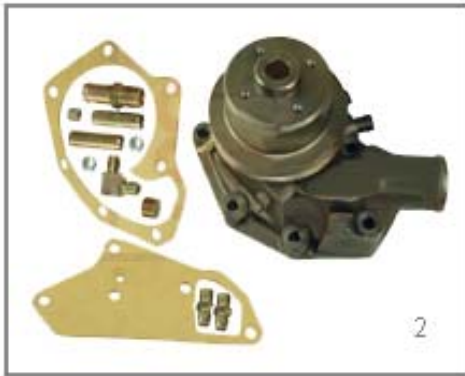
AIR FILTERS



AIR FILTERS

| Key | Ozgun No | OEM No | SUB No | Tractors | Engine type |
|-----|----------|----------|---------|---|--|
| 48 | OZ11459 | AL150288 | | 6215, 6225, 6415, 6020/SE, 6120/L/SE, 6220/L/SE, 6320/L, 6420/L/S/SE, 6520/L/SE, 6620/ SE, 6820, 6920, 6920S, 6230/PR, 6230PR, 6330PR, 6430/PR, 6530/PR, 6630/PR, 6830/PR, 6930/PR, 7515, 7220, 7320, 7420, 7520 , 7130/PR, 7230/PR, 7330/PR, 7430PR, 7530PR, 8130, 8230, 8230T, 8330T, 8430, inner | 6466A,PowerTech 4.5D/T/H, PowerTech 6.8D/T/H |
| 49 | OZ11460 | AL78869 | | 6506, 6600, 6800, 6900, 6605, 6510, 6510SE, 6610, 6610SE, 6810, 6910, 6910S, 7400, 7500, 7405, 7210, 7410, 7510, outer | 6059T,6068D/T, PowerTech 6.8D/T |
| 50 | OZ11461 | AL78870 | | 6506, 6600, 6800, 6900, 6605, 6510, 6510SE, 6610, 6610SE, 6810, 6910, 6910S, 7400, 7500, 7405, 7210, 7410, 7510, inner | 6059T,6068D/T, PowerTech 6.8D/T |
| 51 | OZ11462 | DQ46907 | | 6605 (BR), 7505, outer | PowerTech 6.8T |
| 52 | OZ11463 | DQ46908 | | 6605 (BR), 7505, inner | PowerTech 6.8T |
| 53 | OZ11464 | RE34962 | RE67124 | 7600, 7610, 7810 (BR), outer | 6068T, PowerTech 6.8T |
| 54 | OZ11465 | RE34963 | | 7600, 7610, 7810 (BR), inner | 6068T, PowerTech 6.8T |
| 55 | OZ11466 | RE196945 | | 7715, 7815,7720, 7820, 7920, 7630,7730,7830), outer | PowerTech 6.8H |
| 56 | OZ11467 | AL181915 | | 7715, 7815,7720, 7820, 7920, 7630,7730,7830), inner | PowerTech 6.8H |
| 57 | OZ11468 | RE34966 | RE65880 | 7700, 7800, 7710, 7810 , outer | 6076H, PowerTech 8.1H |
| 58 | OZ11469 | RE34967 | | 7700, 7800, 7710, 7810 , inner | 6076H, PowerTech 8.1H |
| 59 | OZ11470 | RE51629 | | 8100, 8100T, 8200, 8200T, 8300 (6076H), 8300 (6081H), 8300T, 8400, 8400T, 8110, 8110T, 8210, 8210T, 8310, 8310T, 8410, 8410T,, outer | 6076H, PowerTech 8.1H |
| 60 | OZ11471 | RE51630 | | 8100, 8100T, 8200, 8200T, 8300 (6076H), 8300 (6081H), 8300T, 8400, 8400T, 8110, 8110T, 8210, 8210T, 8310, 8310T, 8410, 8410T, inner | 6076H, PowerTech 8.1H |
| 61 | OZ11472 | RE164839 | | 8120, 8120T, 8220, 8220T, 8320, 8320T, 8420, 8420T, 8520, 8520T, | PowerTech 8.1H |
| 62 | OZ11473 | RE172447 | | 8120, 8120T, 8220, 8220T, 8320, 8320T, 8420, 8420T, 8520, 8520T, | PowerTech 8.1H |
| 63 | OZ11474 | RE210102 | | 8130, 8230, 8230T, 8330, 8330T, 8430, 8430T, 8530, outer | PowerTech 9.1H |
| 64 | OZ11475 | RE210103 | | 8130, 8230, 8230T, 8330, 8330T, 8430, 8430T, 8530, inner | PowerTech 9.1H |
| 65 | OZ11476 | RE63931 | | 9100, 9120, 9220, 9320, 9320T, 9400, 9420, 9420T, 9520, 9520T, 9620, 9620T, outer | PowerTech 10.5H PowerTech 12.5H |
| 66 | OZ11477 | RE63932 | | 9100, 9120, 9220, 9320, 9320T, 9400, 9420, 9420T, 9520, 9520T, 9620, 9620T, inner | PowerTech 8.1H PowerTech 10.5H PowerTech 12.5H |
| 67 | OZ11478 | RE261960 | | 9230, 9330,9430, 9430T,9530, 9530T,9630, 9630T, outer | PowerTech 13.5H |
| 68 | OZ11479 | RE230985 | | 9230, 9330,9430, 9430T,9530, 9530T,9630, 9630T, inner | PowerTech 13.5H |

WATER PUMPS



WATER PUMPS

| Key | Ozgur No | OEM No | SUB No | Tractor | Engine type |
|-----|----------|---------|--|---|-------------|
| 1 | OZ11480 | RE19944 | AR55094, AR61344, AR67452 | Water Pump less Pulley,820, 830 (USA), 920,1020 (EU→085099), 1020 (USA) | 3152D |
| | | | | 830 (EU), 930 (A),1020 (EU 085100→), 1030 (DE→346223),1030 (ES), 1030 OU, 1030 VU, 1035,1120, 1130 (→346223), 1520, 1530 | 3164D |
| | | | | 2020 | 4202D |
| | | | | 1830,2030 (DE→197368), 2030 (USA), 2120,2440 | 4219D |
| 2 | OZ10727 | AT29619 | AT21206, AT27018 | Water Pump with Pulley, 820, 830 (USA), 920,1020 (EU→085099), 1020 (USA) | 3152D |
| | | | | 830 (EU), 930 (A),1020 (EU 085100→), 1030 (DE→346223),1030 (ES), 1030 OU, 1030 VU, 1035,1120, 1130 (→346223), 1520, 1530 | 3164D |
| | | | | 2020 | 4202D |
| | | | | 1830,2030 (DE→197368), 2030 (USA), 2120,2440 | 4219D |
| 3 | OZ10730 | AR97708 | AR65260, AR52423, AR87419, AR87420, AR97704 | Water Pump less Pulley , 1030 (DE 346224→), 1130 (346224→) | 3164D |
| | | | | 1630, 1635 | 3179D |
| | | | | 2030 (DE 197639→), 2030 (ES), 2035 | 4219D |
| 4 | OZ10733 | RE46257 | RE60489, AR92903, RE12835, RE26955, RE26975, RE40151, | Water Pump less Pulley 840, 940,1040, 1140, 1350 ,3179DL004→751028),1350,(3179DL013→751253),1550 (→751243), 1750 (→751243),1750V, 1850V,1850, 1850N (3179DL001→751023),1850, 1850N 3179DL016→743472),1850, 1850F (ES→155860),2155CS (→751023), 2155TSS (→743474) 2040, 2240 (USA 350000→),2150, 2255, | 3179D |
| | | | | 1640, 1840,2040 (EU), 2040F, 2040S,2350, 2550, 2750, 2040S (With A/C),2140, 2750 (With A/C), 2250, 2250F, 2355, 2450, 2450F, 2555CS,2650CS | 4239D |
| | | | | 2555TSS, 2650 (ES), 2650F, 2650N,2650TSS, 2755, 2850, 2855N | 4239T |
| | | | | 5500, 5500N | 4030T |
| 5 | OZ10728 | AR92416 | AR92417, RE26327, RE24845 | Water Pump With Pulley, Pulley Ø 150 mm 840, 940,1040, 1140, 1350 ,3179DL004→751028),1350,(3179DL013→751253), 1550 (→751243), 1750 (→751243),1750V, 1850V,1850, 1850N(3179DL001→751023), 1850, 1850N 3179DL016→743472),1850, 1850F (ES→155860), 2155CS (→751023), 2155TSS (→743474), 2040, 2240 (USA 350000),2150, 2255, | 3179D |
| 6 | OZ11481 | RE31471 | | Water Pump less Pulley ,1750 (3179DL007 751244→xxxxxx),1750 (3179DL015 751244↔908297),1850, 1850N (3179DL001 751024↔909465),1850, 1850N (3179DL016 743473↔908298),1850, 1850F (ES 765518→2155CS (751024→), 2155TSS (743475→) | 3179D |

WATER PUMPS



WATER PUMPS

| Key | Ozgur No | OEM No | SUB No | Tractor | Engine type |
|-----|----------|----------|--|--|--|
| 7 | OZ11482 | RE31134 | | Water Pump less Pulley ,1750 (3179DL007→xxxxxx), 1750 (3179DL015 908298→),1850, 1850N (3179DL001 909466→), 1950, 1950N,1950, 1950F (ES 765518→),2355N | 3179D 3179T |
| 8 | OZ11483 | RE51892 | RE45534, RE46813, RE51893 | Water Pump less Pulley, 5200 (→202231)Without oil cooler, 5300 (USA→202231) 5400, 5400N (USA→202231) With oil cooler | 3029D 3029T |
| 9 | OZ11484 | RE67186 | RE509068 | Water Pump less Pulley, 5200 (248700→)Without oil cooler | 3029D |
| 10 | OZ11485 | RE61715 | RE61714 | Water Pump less Pulley, 5300 (USA 02232↔248699),5400, 5400N (USA 202232↔248699)With oil cooler | 3029D, 3029T |
| 11 | OZ11486 | RE67185 | | Water Pump less Pulley, 5300 (USA 248700→),5300 (EU), 5300N,5400, 5400N (USA 248700→),5400 (EU), 5400N (EU) With oil cooler 5105,5203(USA→107810),5205(PE3029DLV52 xxxxxx→& PE3029DLV57),5210 (PE3029DLV53),5303(USA→107810), 5310 (EU),5310N (EU) | 3029D,3029T PowerTech 2.9 D/T |
| 12 | OZ11487 | RE67037 | | Water Pump less Pulley, 5105, 5203 (USA→107810),5205 (PE3029DLV52 xxxxxx→& PE3029DLV57),5210 (PE3029DLV53),5303 (USA→107810),5310 (EU),5310N (EU) | PowerTech 2.9 D/T |
| 13 | OZ11488 | AR45332 | AR44379, AR34856, AR31264 | Water Pump less Pulley, 3010, 3020 4000, 4010, 4020 | 4270D 6404D |
| 14 | OZ11489 | RE67092 | | Water Pump less Pulley, 3200, 3200X, 3210, 3210X,3300, 330X, 3310, 3310X,3400, 3400X, 3410, 3410X | 4039D,4039T |
| 15 | OT12443 | RE500734 | RE500737, RE505980, RE505981, RE56737, RE59646, RE70683 | Water Pump less Pulley, 3210, 3210X, 3310, 3310X,5403 (BR), 5410 (USA), 5415 (EU),5415 (MEX), 5415N, 5420, 5420N,5425 (MEX), 5425N (MEX), 5603 (BR), 5605,5615 (MEX), 5615 (TUR), 5620, 5625 (MEX), 6010, 6010SE,6020, 6020SE (→799999) 3410, 3410X,5425 (USA), 5425N (USA), 5510, 5510N,5515, 5520, 5520N, 5525, 5603 (USA),5615 (EU), 5625 (USA), 5705, 5715 (MEX),5715 (TUR), 5720, 5725, 5725N, 5820, 6020, 6020SE (800000→),6110, 6110L, 6110SE, 6120, 6120L,6120SE, 6205, 6210, 6210L, 6210SE, 6215,6220, 6220L, 6220SE, 6310, 6310L, 6310S,6310SE, 6320SE (→799999),6400SP (TP054), 6403, 6405, 6410, 6410L,6410S, 6410SE, 6415 (BR), 6415 (MEX),6425 (MEX), 66510L, 6510S 6320, 6320L, 6320SE (800000_),6415 (USA), 6420, 6420L, 6420S, 6420SE,6520L 6130, 6225, 6230, 6230PR, 6325, 6330,6330PR, 6425 (EU), 6430, 6430PR (USA) 6230PR, 6330PR, 6430PR 6505, 6510, 6510SE,6515, 6520, 6520SE (→799999) 6520, 6520SE, 6620, 6620SE, 6715,(→799999),6603, 6605, 6610, 6610SE, 6615 (BR), 6810,6910, 6910S, 6920SE,7210, 7220, 7320, 7405, 7410, 7420, 7425,7500 (001337→), 7505, 6515, 6520, 6520SE, 6620SE, 6715,(800000→),6615 (USA), 6620, 6820, 6920, 6920S,7220, 7320, 7420, 7520, 7720, 7815,7820 (EU) 6525, 6530, 6630, 6830, 6930,7130, 7130PR, 7230, 7230PR, 7330, 7330PR, 7430PR (USA) | PowerTech 4.5 D PowerTech 4.5 T PowerTech 4.5 H PowerTech Plus 4.5 H PowerTech 6.8 D PowerTech 6.8 T PowerTech E 6.8 H PowerTech Plus 6.8 H |

WATER PUMPS



WATER PUMPS

| Key | Ozgun No | OEM No | SUB No | Tractor | Engine type |
|-----|----------|---------|----------------------------------|--|-------------|
| 16 | OZ11490 | RE41157 | | Water Pump less Pulley, 6200, 6200L, 6200SE, 6300, 6300L, 6300SE | 4039T |
| | | | | 6100, 6100SE | 4045D |
| | | | | 6400, 6400L, 6400SE, 6500, 6500L | 4045T |
| 17 | OZ11491 | AR92641 | | Water Pump With Pulley, 2940, 2950,3040, 3140, 3340 | 6359D |
| 18 | OZ11492 | RE26924 | RE31600, RE26927, AR79882 | Water Pump less Pulley, 2955,3050, 3055, 3150 (ES), 3155, 3350 | 6359D |
| 19 | OZ11493 | RE18676 | | Water Pump With Pulley, 3150 (USA),3640 | 6359D |
| | | | | Water Pump With Pulley, 3640S | 6359T |
| 20 | OZ11494 | AR98549 | AR55961 | Water Pump less Pulley, 4040 (USA), 4230 | 6404D |
| 21 | OZ11495 | RE20023 | AR98547, AR61420, AR54578 | Water Pump less Pulley, 4430,4630 | 6404T,6404A |
| | | | | Water Pump less Pulley, 7020 (335846→) | 6404A |
| 22 | OZ10732 | RE20022 | | Water Pump less Pulley, 4240 | 6466D |
| | | | | Water Pump less Pulley, 4240S, 4350, 4440, 4455 (MEX) | 6466T |
| | | | | Water Pump less Pulley, 4640, 4840, 8430, 8440 | 6466A |
| 23 | OZ11496 | AR93517 | | Water Pump less Pulley, 4050 | 6466D |
| | | | | Water Pump less Pulley, 4050E, 4250, 4450 | 6466T |
| | | | | Water Pump less Pulley, 4055, 4255, 4455 (USA), 4555, 4560 | 6076T |
| | | | | Water Pump less Pulley, 4650, 4850 | 6466A |
| | | | | Water Pump less Pulley, 4755, 4760, 4955, 4960 | 6076A |
| 24 | OZ11497 | RE39121 | RE68230, RE49540, RE68229, | Water Pump less Pulley, 7700, 7800, | 6076T |
| | | | | Water Pump less Pulley, 8100, 8200, 8300 (→009999), 8560 (500000→), 8570 | 6076H |

WATER PUMP KITS



WATER PUMP KITS

| Key | Ozgur No | OEM No | SUB No | For Water Pump | Engine type |
|-----|----------|----------|---|---|--|
| 1 | OZ10723 | RE11345 | RE37483, RE62658, AT32489 | RE25043, RE19944, AT29619, AR97708, RE67186, RE61715, RE67185, RE67037, AR85250, AR63343, RE67092, | 3152D, 3164D, 3179D, 3029D, 3029T, 4202D, 4219D,4239D, 4276D ,4039D,4045D, PowerTech 2.9 D/T |
| 2 | OZ10724 | RE11347 | RE62659 | AR92416, RE46257, RE31471, RE31134, AR92418, | 3179D, 3179T,4239D,4239T |
| 2 | OZ11498 | RE62662 | | AR92416, RE46257, AR92418 ,High Flow/ Impeller Ø 109mm, | 3179D, 3179T,4239D,4239T |
| 3 | OZ11499 | AR55617 | | AR45332, With JD9212 bearing | 4270D, 6404D |
| 3 | OZ11530 | AR55619 | | AR45332, With JD9355 bearing | 4270D, 6404D |
| 4 | OT12445 | RE70962, | RE65970, RE509813 | RE500734, | PowerTech 4.5 D/T/H, PowerTech 6.8 T/H |
| 5 | OZ11531 | RE501560 | RE57722 | RE41157 | 4039D,4045D/T,6059T,6068D/T |
| 6 | OZ11532 | RE11346 | RE62661, RE37484 | AT26489, AR80962, AR86806 | 6303D,6329D,6359D |
| 7 | OZ10725 | RE11348 | | AR92641, RE18676, RE26924, | 6359D, 6359T |
| 8 | OZ11533 | AR98568 | AR55624 | AR51063, AR49655, RE20024 | 6404T/A |
| 9 | OZ11534 | RE10967 | RE524413 | AR84165, AR98551 | 6466D,6466T,6466A |
| 10 | OZ11535 | RE69846 | RE69847, RE524397 , RE524406 AR98840, | AR93517,RE23291, RE55985 | 6466D,6466T,6076T 6466A,6076A |
| 11 | OZ11536 | RE58350 | RE68316 | RE39121 | 6076T,6076H |

RADIATORS



RADIATORS

| Key | Ozgur No | OEM No | SUB No | Tractors | Engine type |
|-----|----------|----------|------------------------------------|---|--------------------------------------|
| 1 | OZ11537 | AT20797 | | 820, 920, 1020, 1120,(→075429),1030 (ES), 1030 (OU), 1035,1035EF(→066531) 930VU, 1030VU, 1035EV,1630VU, 1635EV(→066531) | 3152D,3164D |
| 2 | OZ10910 | AT20849 | | 820, 920, 1020, 1120, (075430→),1030 (ES), 1030 (OU), 1035,1035EF,(066532→830, 930, 1030 , 1130, 1530, 1630, 930VU, 1030VU, 1035EV, 1630VU, 1635EV,(066532→),2040 & 2240 (USA →349999) | 3152D,3164D 3179D |
| 3 | OZ11538 | AL39290 | AL31503, AL38373 | 840, 940, 1040, 1140, 1350, 1550, 1750, (→621999), 1750V, 1850V,1850 & 1850F (ES →155860),1850 , 1850N, 2155 (→621999), 2040 & 2240 (USA 350000→) ,2150, 2255 | 3179D |
| 4 | OZ11539 | AL67562 | AL59533 | 1350 (622000 →),1550 & 1750 (622000→) | 3179D |
| 5 | OZ11540 | AL67563 | AL59532 | 1850 & 1850F (ES 765518 →),1850 , 1850N, 2155,(622000 ↔719999), 1850 , 1850N, 2155 (720000 →),1950, 1950N, 2355N 5103 (USA →006839),5203 (USA →003223),5303 (MEX →000354),5303 (TUR →000013),5303 (USA →003303),5403 (TUR →000804),5310 (IND →05118), 5210, 5220, 5310 (USA),5310N (USA), 5320, 5320N, Less Cab,5215, 5310 , 5310N ,5315, 5410, 5410N | 3179D 3029D/T, Power Tech 2.9 D/T |
| 6 | OZ11541 | RE70673 | | 5210, 5220, 5310 (USA),5310N (USA), 5320, 5320N With cab | 3029D/T, Power Tech 2.9 D/T |
| 7 | OZ10902 | AL37568 | AL31237 | 1640, 1840, 2040, 2040S 2140,2350,2550,2750 | 4239D 4239T |
| 8 | OZ10901 | AL25255 | AR65715, AT20847, AT28810 | 1630 2020 2120, 1830, 2030 2130 | 3179D 4202D 4219D 4239D |
| 9 | OZ11542 | AT26474 | AL24115 | 3120 3030, 3130 | 6303D 6329D |
| 10 | OZ11543 | AL37566 | AL31238 | 2940,2950,3040, 3140, 3340 | 6359D |
| 11 | OZ11327 | AL176542 | AL56372 | 2250, 2450, 2650, 2650N,2850, 2850(ES) (→165978),2355 (→669788),2855N(→669788), 2450 (ES), 2450F, 2650 (ES),2650F, 2850 (ES)(→165978) 2450 (DE), 2555CS, 2555TSS,2650CS, 2650N, 2650TSS, 2755,2850 , 2855N(→669788) | 4239 D & T |
| 12 | OZ11328 | AL66774 | | 2450 (ES), 2450F, 2650 (ES),2650F, 2850 (ES)(165979→) 2450 , 2555CS, 2555TSS,2650CS, 2650N, 2650TSS, 2755, 2850 | 4239 D & T |
| 13 | OZ11330 | AL78001 | AL110865, AL115731, AL115002 | 6100, 6200, 6200L | 4039T,4045D |
| 14 | OZ11544 | AL78003 | AL110996, AL115732, AL116668 | 6100SE, 6200SE, 6300SE,6400SE, 6500, 6300, 6300L, 6400, 6400L, 6500L | 4039T,4045D/T |

RADIATORS



RADIATORS

| Key | Ozgur No | OEM No | SUB No | Tractors | Engine type |
|-----|----------|----------|------------------------------|---|----------------------------------|
| 15 | OZ11329 | RE70236 | | 5410 (USA), 5415 (MEX), 5415N,5420, 5420N, 5510, 5510N, 5520,5520N, 5615 (MEX), 5615 (TUR),5715 | Power Tech 4.5D |
| | | | | 5415 (EU),5515, 5615 (EU), 5403 (BR), 5605, 5705(→24150) | Power Tech 4.5T |
| 16 | OZ11331 | AL118774 | AL115002, AL78001, AL110865 | 6010, 6010SE, 6110, 6110L, 6110SE, 6205, 6210, 6210L,6210SE, 6310, 6310L, 6310S,6310SE, 6405 (USA), 6410, 6410L,6410S, 6410SE, 6510L, 6510S | Power Tech 4.5D/T |
| 17 | OZ11332 | AL163357 | AL168726, AL171542, AL176361 | 6020, 6020SE, 6120, 6120L,6120SE, 6215, 6220, 6220L,6220SE, 6320L, 6320SE, 6415,6420L, 6420SE, 6520L,6320, 6420, 6420S, 6425 (MEX), 6320, 6420, 6420S | Power Tech 4.5D/T/H |
| 18 | OZ11545 | AL56375 | | 2955 & 3050 & 3350 Less cab (→660812) 2955 & 3050 & 3350 With cab (→664559) 3150 (ES) & 3350 (ES)Early models | 6359D |
| 19 | OZ11546 | AL66766 | | 2955 & 3055 & 3350 ,Less cab (660813→) 2955 & 3050 & 3350 With cab (664560→) 3055,3150 (ES) & 3350 (ES) Late,3155 & 3650 (664560 →), 3255 | 6359D/T |
| 20 | OZ11547 | AR79450 | RE21894, AR90738, AR79451 | 4040 (EU), 4040S | 6359T |
| | | | | 4040 (USA) | 6404D |
| 21 | OZ11548 | AL115003 | AL111629, AL115733, AL79036 | 6506, 6600, 6800(→156347) 6506, 6600, 6800,(156348 →) ,6510, 6510SE,6605 (USA), 6610, 6610SE, 6810,(→238356) | 6059T,6068D & T, 6068TPower Tech |
| 22 | OZ11549 | AL115004 | | 6910, 6910S(→238356) | Power Tech 6.8 T |
| 23 | OZ11550 | AL118572 | | 6910, 6910S (238357→) | Power Tech 6.8 T |
| 24 | OZ11551 | RE52498 | RE67333 | 7200,7400, Less cab | 6059T,6068T |
| | | | | 7210 Less cab | Power Tech 6.8 T/H |
| 25 | OZ11552 | RE64205 | RE165030 | 7200,7400, With cab | 6059T,6068T |
| | | | | 7210 With cab ,7410, 7510 | Power Tech 6.8 T/H |
| 26 | OZ11553 | RE50311 | RE63188 | 7600 | 6068T |
| | | | | 7700, 7800 | 6076T |
| | | | | 7610,7810(BR), 7710 & 7810 (USA) (→089999) | Power Tech 6.8 T/H |
| 27 | OZ11554 | AL176362 | AL156288, AL157249, AL168727 | 6515, 6520, 6520SE, 6620, 6620SE,6820, 6910, 6920S, 6615 , 6715 (USA 2), 7220, 7320 (→004516),7420 (USA), 7520 (USA) (→012453), 7220, 7320 (004517→),7420 (USA), 7520 (USA) (012454→), 7420 (MEX), 7520 (MEX), 7425, 7525 | 6068 T/H,Power Tech 6.8 T/H |
| 28 | OZ11555 | RE47602 | | 8560 (003101→), 8570 (005101→) 8760, 8770 | 6076H |

RADIATOR CAPS



| Key | Ozgun No | OEM No | SUB No | Tractors | Engine type |
|-----|----------|---------|--------|---|----------------------|
| 1 | OZ10903 | AT29054 | | 820, 920, 1020, 1120, 830, 930,1030, 1035, 1520, 1550, 1630, 1635, 2040 & 2240 (USA ->349999) | 3152D, 3164D, 3179D |
| | | | | 1830.2020, 2030, 2035, 2120, 2130, 2440 (->305414) | 4202D,4219D, 4239D |
| | | | | 1640, 1840,2040 , 2040S, 2140,2350, 2550, 2750,for AL31238 | 4239T |
| | | | | 3030 ,3120, 3130,3130 , 3135, | 6303D,6329D, |
| | | | | 2940, 2950,3040, 3140, 3340,for AL31238 | 6359D |
| 2 | OZ10928 | AL38374 | | 840, 940, 1040, 1140, 1350, 1550, 1750 (->621999), 750V, 1850V,1850 & 1850F (ES ->155860),1850 , 1850N, 2155 (->621999) | 3179D |
| | | | | 2750 | 4239T |
| | | | | 2940, 2950,3040, 3140, 3340, 3150 (USA),3640, 3640S For AL37566 | 6359D/T |
| 3 | OZ11556 | AL58894 | | 1350 (622000 ->),1550 & 1750 (622000 ->),1850 & 1850F (ES 765518 ->),1850 , 1850N, 2155,(622000 ->719999), 2250 , 2355,(669789 ->),2250 (ES), 2250F (ES), 2450 (ES), 2450F, 2650 (ES),2650F, 2850 (ES)(165979->),2450 , 2555CS, 2555TSS,2650CS, 2650N, 2650TSS,2755, 2850 | 3179D |
| | | | | 2955 & 3055 & 3350 (DE)Less cab (660813->),2955 & 3050 & 3350 With cab (664560->),3055,3150 (ES) & 3350 (ES) Late,3155 & | 6359D/T |
| 4 | OZ11557 | RE71863 | | 5103 (USA ->006839),5203 (USA ->003223),5303 (MEX ->000354), 5303 (TUR ->000013),5303 (USA ->003303), 5403 (TUR ->000804), 5310 (IND ->05118), 5210, 5220, 5310 (USA),5310N (USA), 5320, 5320N,/ Less Cab,5215, 5310 , 5310N ,5315, 5410 , 5410N | Power 2.9 Tech D / T |
| | | | | 5410 (USA), 5415 (MEX), 5415N,5420, 5420N, 5510, 5510N, 5520, 5520N, 5615 (MEX), 5615 (TUR),5715, 5415 (EU),5515, 5615 (EU), 5403 (BR), 5605, 5705(->24150), | Power 4.5 Tech D / T |
| 5 | OZ11558 | RE62985 | | 5200 (421066->), 5300 (EU),5300 (USA 431920 ->),5300N, 5400 (EU),5400 & 5400N (USA 441687->),5400N (EU) | 3029 D & T |
| | | | | 5500 , 5500N | 4039T |
| 6 | OZ10929 | AL56759 | | 42250 (DE), 2355(->669788) | 4239D |
| | | | | 2450 (ES), 2450F, 2650 (ES),2650F, 2850 (ES)(->165978),2450 (DE), 2555CS, 2555TSS,2650CS, 2650N, 2650TSS, 2755,2850, 2855N | 4239D/T |
| | | | | 2955 & 3050 & 3350 ess cab (->660812),2955 & 3050 & 3350 With cab (->664559),3150 (ES) & 3350 (ES)Early models | 6359D |

RADIATOR TOP HOSES



RADIATOR TOP HOSES

| Key | Ozgun No | OEM No | SUB No | Tractors | Engine type |
|-----|----------|----------|--------|---|----------------------------------|
| 1 | OZ10904 | T23534 | | 1020 (→075429), 1120 (⇒075429), 820 (→075429), 1030, 1030 (ES) (→066531), 1130, 1530, 1630 , 830, 930, 1035 (→066531), 2040(→349999),2240 (→349999),155x38x38mm | 3152D,3164D, 3179D |
| 2 | OZ10917 | L34920 | | 2040 (350000→), 2240 (350000→), 1750V, 1850 (→621999), 1850F (→155860), 1850N (→621999), 1850V, 2150, 2155 | 3179D |
| 3 | OZ10934 | L58814 | | 1350 (622000→), 1550 (622000→719999), 1750 (622000→719999), 1850 (622000→719999), 1850 (ES) (765518→), 1850N (622000⇒719999), 2155 (622000⇒719999), | 3179D |
| 4 | OZ10946 | L58801 | | 1550 (720000⇒), 1750 (720000⇒), 1750V (720000⇒), 1850 (720000⇒), 1850N (720000⇒), 1950 , 1950N, 2155 (720000⇒),260X48X36mm | 3179D/T |
| 5 | OZ10944 | R126605 | | 5200 (421066⇒), 5300 , 5300 (USA) (491920⇒), 5300N, 5400 , 5400 (USA) (441687⇒), 5400N , 5400N (USA) (441687⇒), 5500 (EU), 5103 (IND- Std) (⇒005127), 5103 , 5103S (⇒005127), 5203 (⇒002474), 5203 (IND-Std) (⇒002474), 5203 (USA-Powertech) (⇒003223), 5203 (USA-Std) (⇒003223), 5203S (Std) (⇒000071), 5303 (MEX-Powertech) (⇒000354), 5303 (MEX-Std) (⇒000354), 5303 (TUR) (⇒000013), 5303 (USA) (⇒003303), 5403 (TUR) (⇒000804), 5215, 5215F, 5215V, 5315, 5315F, 5315V, 5210 (With cab), 5310 (Asia) (⇒006417), 5310 (EU), 5310 (IND-Powertech) (⇒05118), 5310 (IND-Std) (⇒05118), 5310 (USA) (With cab), 5310N (With cab), 5410 (EU), 5410N, 5220 (With cab), 5320 (With cab), 5320N (With cab),285X38.5X38.5mm, | 3029D/T, Power Tech 2.9 D/T |
| 6 | OZ10954 | R105074 | | 5200 (⇒421065),5300 (USA) (⇒431919),5400 (USA) (⇒441686),5400N (USA)(⇒441686),200x37x37mm | 3029D/T |
| 7 | OZ10965 | T23533 | L29263 | 1520 (With Hi-LO & reverser), 2020 , 2120, 1030VU (066532⇒), 1630 , 1630VU (066532⇒), 1830, 2030 , 2030OU, 2130 , 930VU (066532⇒), 1035EV (066532⇒), 1635 (⇒066531), 1635EF (⇒066531), 1635EV (066532⇒), 2035, 2035EF, 2135,230x37x37mm | 3164D ,3179D ,202D ,4219D ,4239D |
| 8 | OZ10906 | L34898 | | 1640, 1640F, 1840, 1840F, 2040, 2040S, 2140, 2350, 2550, 2750, 200x36x36mm | 4239D, 4239T |
| 9 | OZ10937 | L56296 | | 2250 , 2450, 2450F, 2650, 2650CS, 2650F, 2650N, 2650TSS, 2850, 2355, 2555CS, 2555TSS, 2755, 2855N, 250x38x38mm | 4239D, 4239T |
| 10 | OZ10945 | L61990 | | 2250, 2250F, 2450, 2450F, 2650, 2650CS, 2650F, 2650N, 2650TSS, 2850, 2355, 2555CS, 2555TSS, 2755, 2855N, 100x36x48mm | 4239D, 4239T |
| 11 | OZ10935 | L61991 | | 2250, 2250F, 2450, 2450F, 2650, 2650CS, 2650F, 2650N, 2650TSS, 2850, 2355, 2555CS, 2555TSS, 2755, 2855N, 155x37x37mm | 4239D, 4239T |
| 12 | OZ11559 | R135251 | | 5403 (BR), 5415 (MEX), 5415H, 5415N, 5605, 5705, 5410 (USA), 5510 (EU), 5510 (USA), 5510N (EU), 5510N (USA), 5615 (MEX), 5615 (TUR), 5715 (MEX), 5715 (TUR), 5715HC, 5420, 5420N, 5520, 5520N,300x42x44mm | PowerTech 4.5 D/T |
| 13 | OZ11560 | ER200932 | | 5415 (EU), 5515, 5515F, 5515HC, 5515V, 5615F, 5615V, 320x41x41mm | PowerTech 4.5 D/T |
| 14 | OZ11561 | R126012 | | 5500 (USA), 5500N (EU), 5500N (USA),250x38x38mm | 4039T |
| 15 | OZ10941 | L100593 | L77822 | 6100 (⇒156306), 6100SE, 6200 (EU) (⇒156306), 6200 (USA) (⇒156306), 6200L (⇒156306), 6200SE, 6300 (EU) (⇒156052), 6300 (USA) (⇒156052), 6300L (⇒156052), 6300SE, 6400 (EU) (⇒156052), 6400 (USA) (⇒156052), 6400L (⇒156052), 6400SE, 6500, 6500L (⇒156052), 8430T (⇒156052), 8530 (⇒156052), 9230 (⇒156052),330x52x58mm | 4039D, 4045D, 4045T |

RADIATOR TOP HOSES



RADIATOR TOP HOSES

| Key | Ozgur No | OEM No | SUB No | Tractors | Engine type |
|-----|----------|---------|--------|---|------------------------------------|
| 16 | OZ11562 | L114594 | | 6205, 6405 (USA) , 6010, 6010SE, 6110, 6110L, 6110SE , 6210, 6210L ,6210SE, 6310, 6310S, 6310SE, 6410, 6410L , 6410S,6410SE , 6510 ,6510L (Early with double thermostat) , 320x58x58mm | PowerTech 4.5 D/T, PowerTech 6.8 D |
| 17 | OZ11563 | L116094 | | 6205, 6405 (USA) , 6010, 6010SE, 6110, 6110L, 6110SE , 6210, 6210L ,6210SE, 6310, 6310S, 6310SE, 6410, 6410L , 6410S,6410SE , 6510 ,6510L (Late with single thermostat) ,420x60x60 | PowerTech 4.5 D/T, PowerTech 6.8 D |
| 18 | OZ11564 | L153010 | | 6215, 6415, 6425 (MEX), 6020, 6020SE, 6120. 6220, 6320, 6420, 660x60x60mm | PowerTech 4.5 D/T/H |
| 19 | OZ11565 | L153258 | | 6120, 6120SE, 6220, 6220SE, 6320, 6320SE, 6420/L/S/SE, 6520L | PowerTech 4.5 T/H |
| 20 | OZ11566 | L154843 | | 6320, 6420, 6420S (Tier 2) , 510x58x58mm | PowerTech 4.5 H |
| 21 | OZ11567 | L154872 | | 6320, 6420, 6420S (Tier 2 With A/C & Less trailer air brakes) , 540x60x60mm | PowerTech 4.5 H |
| 22 | OZ10943 | L56304 | | 3050 (Less cab =>660812) , 3150 (ES) (Early models) , 3350 (DE) (Less cab =>660812) , 3350 (ES-) (Early models) , 3650 (=>664559) , 2955 (Less cab =>660812) , 3155 (=>664559) , 320x48x52mm | 6359D/T |
| 23 | OZ11568 | L62211 | | 3150 (ES) (Late) , 3350(Less cab 660813=>), 3650 (664560=) , 2955 (Less cab 660813=>), 3055 (Less cab 660813=>), 3155 (664560=>), 3255,255x55x58mm | 6359D/T |
| 24 | OZ11569 | L62214 | | 3150 (ES) (Late) , 3350(Less cab 660813=>) , 3650 (664560=>) , 2955 (Less cab 660813=>) , 3055 (Less cab 660813=>),3155 (664560=>), 3255,250x50x54mm | 6359D/T |
| 25 | OZ11570 | L80331 | | 6506 (=>156347) , 6600 (=>156347) , 6800 (=>156347) , 6900 (156347=>) , 390x58x58mm | 6059T,6068D/T |
| 26 | OZ11571 | L114593 | | 6505 (With double thermostat) ,6605 (USA) (=>238356) , 6510 (=>238356) , 6510SE (=>238356) , 6610 (=>238356) , 6610SE (=>238356) , 6810 (=>238356) , 6910 (=>238356) , 6910S (=>238356) , 7505,355x60x60mm | 6068D/T |
| 27 | OZ11572 | L116093 | | 6505 (With single thermostat) , 6605 (USA) (251063=> With single thermostat) ,210x37x37mm | 6068D/T |
| 28 | OZ11573 | L153012 | | 6515, 6520, 6520SE, 6620, 6620SE,6820, 6910, 6920S(Tier 1), 7220, 7320 (=>004516),7420 (USA), 7520 (USA) (=>012453),550X58X58mm | PowerTech 6.8D/T/H |
| 29 | OZ11574 | L154796 | | 6515, 6520, 6520SE, 6615 (USA),6620, 6620SE, 6715 (USA), 6920SE,Single thermostat, 7220, 7320 (004517=>)7420 (USA), 7520 (USA) (012454=>),570x60x60mm | PowerTech 6.8D/T/H |
| 30 | OZ11575 | L154844 | | 6515, 6520, 6520SE, 6620,6620SE, 6820, 6920, 6920S(Tier 2), 7220, 7320 (004517=>),7420 (USA), 7520 (USA) (012454=>), With infinitely variable transmission,550x58x58mm | PowerTech 6.8D/T/H |
| 31 | OZ11576 | R113176 | | 7200, 7400, 270X37X48mm | 6059T,6068T |
| 32 | OZ11577 | R95018 | | 7600, 540x50x58mm | 6068T |
| 33 | OZ11578 | R95019 | | 7700,7800,7710 & 7810 (USA) (=>089999),440X53X62mm | 6076T, Power Tech 8.1 T |
| 34 | OZ11579 | R133844 | | 7210 (Less cab) , 7410, 7510,360x58x60mm | PowerTech 8.1 T |
| 35 | OZ11580 | R133018 | | 7610 , 7810 (BR) (Less cab) ,550x50x60mm | PowerTech 8.1 T |
| 36 | OZ11581 | R130571 | | 7610, 7810 (BR), With cab, 550x53x57mm | PowerTech 8.1 T |
| 37 | OZ11582 | R110656 | | 8560 (003101=>), 8570 (005101=>),552x62x62mm | 6076H |
| 38 | OZ11583 | R110670 | | 8760, 8770, 8870 | 6101H |

RADIATOR BOTTOM HOSES



RADIATOR BOTTOM HOSES

| Key | Ozгур No | OEM No | SUB No | Tractors | Engine type |
|-----|----------|----------|--------|--|---|
| 1 | OZ10907 | T22500 | | 1020 ,1120 (075430=>), 1520 (Less Hi-LO & reverser), 2020 , , 820 , 1030 , 1130, 1630, 1830, 2030, 2130 , 830 , 930, 1035EF , 1035EV 1635 , 1635EF, 1635EV 2035, 2035EF, 2135, 1040 , 1040V, 1140, 1140F, 1140V, 2040 (349999) , 2440 (=>305414) , 840, 940, 1350 (=>621999) , 1550 (=>621999) , 1750 (=>621999) , 1750V (=>621999) , 1850, 1850F (=>155860) , 1850N (=>621999) , 1850V, 2150, 2155, | 3152D , 3164D , 3179D ,4202D , 4219D ,4239D |
| 2 | OZ11584 | L58815 | | 1350 (622000=>), 1550 (622000=>719999) , 1750 (622000=>719999) , 1750V (622000=>719999) , 1850 (DE) (622000=>719999) , 1850 (ES) (765518=>) , 1850F (765518=>) , 1850N (622000=>719999) , 2155 (622000=>719999) ,230X48X45mm | 3179D |
| 3 | OZ10949 | L58793 | | 1550 (720000=>) , 1750 (720000=>) , 1750V (720000=>) , 1850 (DE) (720000=>) , 1850N (720000=>) , 1950 (DE), 1950 (ES), 1950N, 2155 (720000=>) ,260X48X36mm | 3179D/T |
| 4 | OZ10953 | R126013 | | 5200 (=>421065) , 5300 (EU), 5300 (USA) (=>431919) , 5300N, 5400 (EU), 5400 (USA) (=>441686) , 5400N (EU), 5400N (USA) (=>441686) , 5500 (EU), 5500 (USA), 5500N, 5103 (IND- Std) (=>005127) , 5203 (Asia) (=>002474) , 5203 (IND-Std) (=>002474) , 5203S (Std) (=>000071) , 5215, 5215F, 5215V, 5315, 5315F, 5315V, 5210 (Less cab) , 5310 (Asia) (=>006417) , 5310 (EU), 5310 (IND-Std) (005119=>006417) , 5310 (USA) (Less cab) , 5310N (Less cab) , 5410 (EU), 5410N, 5220 (Less cab) , 5320 (Less cab) , 5320N (Less cab) , 250x38x46mm | 3029D , 3029T,4039T PowerTech 2.9 D/T |
| 4 | OZ10908 | L34921 | | 1640, 1640F, 1840, 1840F, 2040, 2040S, 2140, 2350, 2550, 2750, 245x45x45mm | 4239D, 4239T |
| 5 | OZ10952 | L56295 | | 2250 (DE), 2450, 2450F, 2650, 2650CS, 2650F, 2650N, 2650TSS, 2850, 2355, 2555CS, 2555TSS, 2755, 2855N, 245x47x51mm | 4239D,4239T |
| 6 | OZ11585 | L61988 | | 2250, 2250F, 2450, 2450F, 2650, 2650CS, 2650F, 2650N, 2650TSS, 2850 , 2355, 2555CS, 2755, 2855N | 4239D,4239T |
| 7 | OZ11586 | R135250 | | 5403 (BR) (24151=>) , 5415 (MEX), 5415H, 5415N, 5605 (24151=>) , 5705 (24151=>) , 5410 (USA), 5510, 5510N (EU), 5510N (USA), 5615 , 5715 , 5715HC, 5420, 5420N, 5520, 5520N, 100x44x50 mm | 4045D, 4045T |
| 8 | OZ11587 | ER200931 | | 5415 (EU), 5515, 5515F, 5515HC, 5515V, 5615F, 5615V, 110x42x48mm | PowerTech 4.5 D/T |
| 9 | OZ11588 | L100591 | | 6100 (=>156306) , 6100SE, 6200 (USA) (=>156306) , 6200L (=>156306) , 6200SE, 6300 (=>156052) , 6300L (=>156052) , 6300SE, 6400 (=>156052) , 6400L (=>156052) , 6400SE, 6500, 6500L (=>156052) , 8430T (=>156052) , 8530 (=>156052) , 9230 (=>156052) , FOR AL78001,AL78003 | 4039D, 4045D, 4045T |
| 10 | OZ10961 | L111275 | | 6100 (=>156306) , 6100SE, 6200 (USA) (=>156306) , 6200L (=>156306) , 6200SE, 6300 (=>156052) , 6300L (=>156052) , 6300SE, 6400 (=>156052) , 6400L (=>156052) , 6400SE, 6500, 6500L (=>156052) , 8430T (=>156052) , 8530 (=>156052) , 9230 (=>156052) , 415x58x58 mm | 4039D, 4045D, 4045T |

RADIATOR BOTTOM HOSES



| Key | Ozgur No | OEM No | SUB No | Tractors | Engine type |
|-----|----------|---------|--------|---|---|
| 11 | OZ11589 | L114595 | | 6010, 6010SE, 6110, 6110L, 6110SE, 6205, 6210, 6210L, 6210SE, 6310, 6310L, 6310S, 6310SE, 6405 (USA), 6410, 6410L, 6410S, 6410SE, 6510L, 6510S, 6405 (BR), 6505, 6510, 6510SE, 6605 (USA), 6610, 6610SE, 6810(=>238356), 6910, 6910S, 7405, 7500, 7505, 260X50X58mm | Power Tech 4.5D/T, 6.8D/T |
| 12 | OZ11590 | L116423 | | 6020, 6020SE, 6120, 6120L, 6120SE, 6215, 6220, 6220L, 6220SE, 6320L, 6320SE, 6415, 6420L, 6420SE, 6520L, 6320, 6420, 6420S, 6425 (MEX), 6320, 6420, 6420S, 6130, 6225, 6230, 6230PR (USA), 6325, 6330, 6330PR (USA), 6425 (EU), 6430, 6430PR (USA), 6230PR, 6330PR, 6430PR, 7425, 7525, 7130, 7130PR, 7230, 7230PR, 7330, 7330PR, 7430PR (USA), 7130PR, 7230PR, 7330PR, 7430PR, 7530PR, 260x50x58mm | Power Tech 4.5D/T/H, Power Tech 6.8 T/H |
| 13 | OZ10951 | T28426 | | 3030, 3120, 3130, 280X54X58mm | 6303D, 6329D |
| 14 | OZ11591 | L34922 | | 2940, 2950, 3040, 3140, 3340, 360X48X58mm | 6359D |
| 15 | OZ11592 | L56305 | | 2955 & 3050 & 3350 (DE) Less cab (→660812) 2955 & 3050 & 3350 (DE) With cab (→664559) 3150 (ES) & 3350 (ES) Early models, 3155 & 3650 (→664559), 400X50X58mm | 6359D/T |
| 16 | OZ10950 | L61989 | | 2955 & 3055 & 3350 (DE) Less cab (660813→) 2955 & 3050 & 3350 (DE) With cab (664560→) 3055, 3150 (ES) & 3350 (ES) Late, 3155 & 3650 (664560 →), 3255, 405x50x58mm | 6359D/T |
| 17 | OZ11593 | L32468 | | 4040 (EU), 4040S | 6359T |
| 18 | OZ11594 | L100590 | | 6506, 6600, 6800(=>156347), 7200, 7400390X60X60X20mm | 6059T, 6068D/T |
| 19 | OZ11595 | R128231 | | 7210, 7410, 7510, 265x50x58mm | Power Tech 6.8 D |
| 20 | OZ11596 | R95020 | | 7600, 430X52X59mm | 6068T |
| 21 | OZ11597 | R95021 | | 7700, 7800, 435X50X50mm | 6076T |
| 22 | OZ11598 | R128002 | | 7610, 7810(BR), 295X50X50mm | Power Tech 6.8 T |
| 23 | OZ11599 | R133960 | | 7710 & 7810 (USA) (=>089999), 420x48x50mm | Power Tech 8.1 T |
| 24 | OZ11630 | R110654 | | 8560 (003101=>), 8570 (005101=>), 580X48X60mm | 6076T |
| 25 | OZ11631 | R110669 | | 8760, 8770, 8870, 510x65x71mm | 6076H |