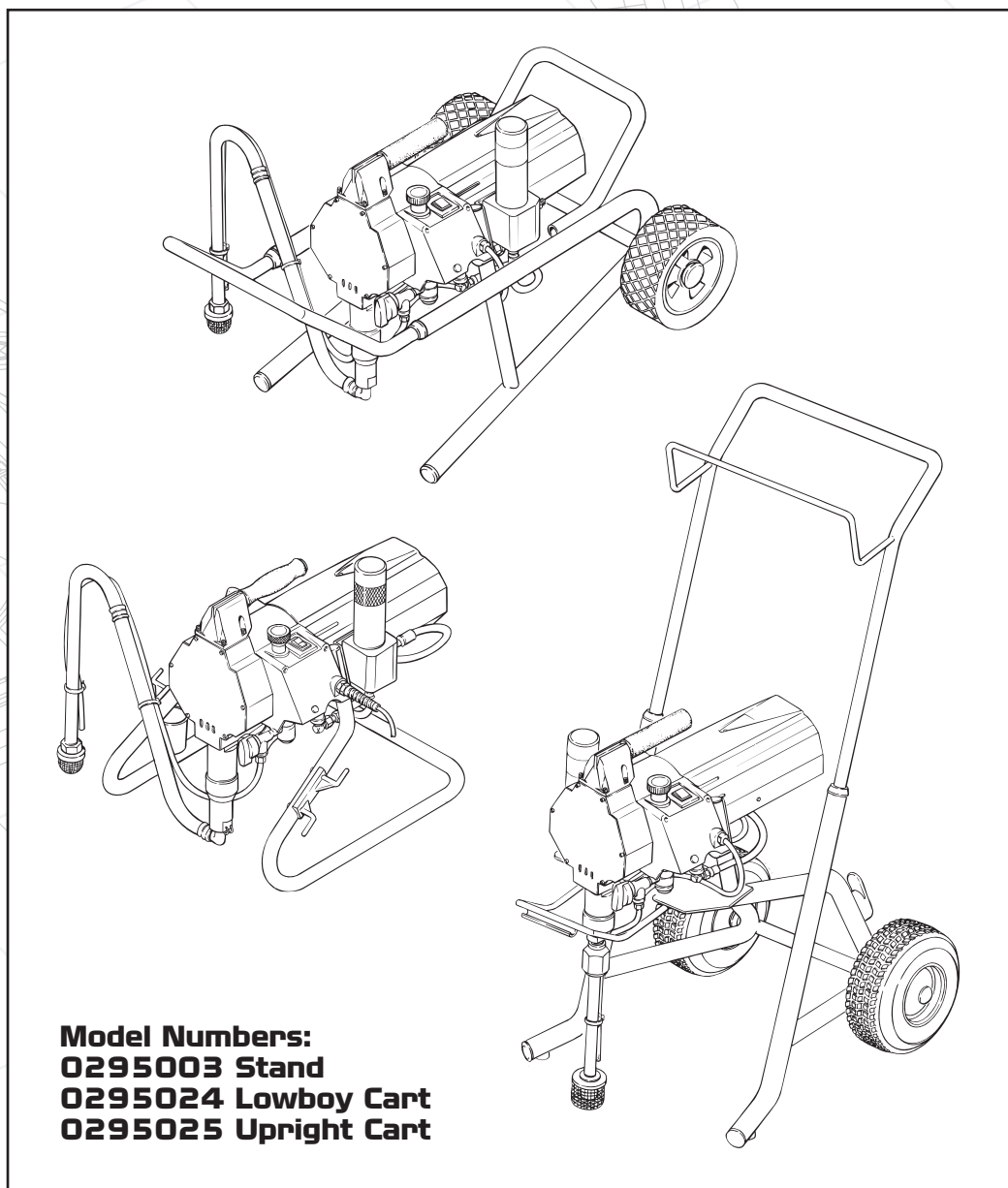


# ***EP2205 Piston Pump***

**Owner's Manual · Notice d'utilisation · Manual del Propietario**



**Model Numbers:**  
**0295003 Stand**  
**0295024 Lowboy Cart**  
**0295025 Upright Cart**

***SprayTECH***<sup>®</sup>  
**THE DEPENDABLE CHOICE™**

**SprayTECH**  
1770 Fernbrook Lane  
Minneapolis, MN 55447

Technical Assistance: 1-800-292-4637

Order Entry: 1-800-443-4500

Fax: 1-800-525-9501

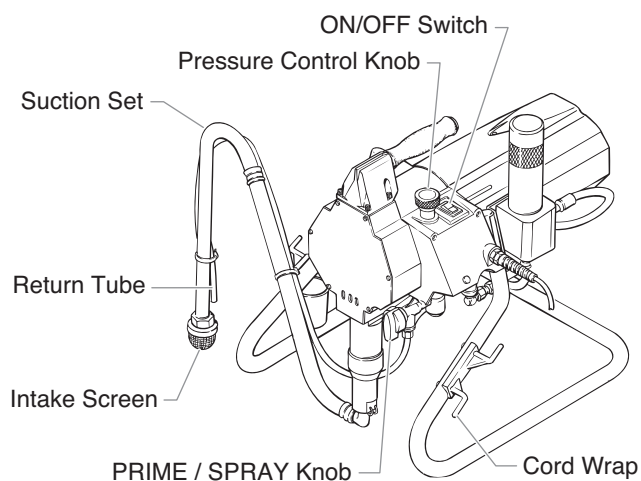
[www.spraytechinc.com](http://www.spraytechinc.com)

# Table of Contents

**General Description** .....2  
**Safety Precautions** .....2  
 Grounding Instructions .....3  
**Operation** .....4  
 Purging and Priming .....4  
**Operating the Spray Gun** .....5  
 Pressure Relief Procedure .....5  
**Spraying** .....6  
 Spraying Technique .....6  
 Practice .....6  
**Cleanup** .....6  
 Flushing the Unit .....7  
**Maintenance** .....7  
 Daily Maintenance .....7  
 Servicing the Fluid Section .....7  
 Cleaning the Spray Tip .....9  
 Cleaning the Filter .....9  
 Replacing the Valve Spring Unit .....9  
**Accessories** .....9  
 Choosing the Correct Spray Gun Filter .....9  
**Troubleshooting** .....10  
**Warranty** .....11  
**Parts List** .....32  
 Main Assembly .....32  
 Cart Assembly .....33  
 Drive Assembly .....34  
 Transducer Assembly .....35  
 Suction Set Assembly .....35  
 Pressure Control Assembly .....36  
 Fluid Section Assembly .....37  
 Spray Gun .....38  
 PRIME/SPRAY Valve Assembly .....38  
 Filter Assembly .....39  
 Low Boy Cart Assembly .....40  
 Stand Assembly .....40  
 Relay Diagram .....40  
 Pressure Control Assembly Wiring Diagram .....41

## General Description

This high performance piston pump is a precision power tool used for spraying many types of materials. Read and follow this instruction manual carefully for proper operating instructions, maintenance and safety information.



## Safety Precautions

This manual contains information that must be read and understood before using the equipment. When you come to an area that has one of the following symbols, pay particular attention and make certain to heed the safeguard.



This symbol indicates a potential hazard that may cause serious injury or loss of life. Important safety information will follow.



This symbol indicates a potential hazard to you or to the equipment. Important information that tells how to prevent damage to the equipment or how to avoid causes of minor injuries will follow.

**NOTE:** Notes give important information which should be given special attention.



**HAZARD:** Injection injury - A high pressure fluid stream produced by this equipment can pierce the skin and underlying tissues, leading to serious injury and possible amputation. See a physician immediately.

**DO NOT TREAT AN INJECTION INJURY AS A SIMPLE CUT!** Injection can lead to amputation. See a physician immediately.

The maximum operating range of the sprayer is 3000 PSI/207BAR fluid pressure.

### PREVENTION:

- NEVER aim the gun at any part of the body.
- NEVER allow any part of the body to touch the fluid stream. DO NOT allow body to touch a leak in the fluid hose.
- NEVER put hand in front of the gun. Gloves will not provide protection against an injection injury.
- ALWAYS lock gun trigger, shut pump off, and release all pressure before servicing, cleaning tip or guard, changing tip, or leaving unattended. Pressure will not be released by turning off the motor. The PRIME/SPRAY valve handle must be turned to PRIME to relieve the pressure. Refer to the PRESSURE RELIEF PRESSURE described in the pump manual.
- ALWAYS keep tip guard in place while spraying. The tip guard provides some protection but is mainly a warning device.
- ALWAYS remove the spray tip before flushing or cleaning the system.
- Paint hose can develop leaks from wear, kinking and abuse. A leak can inject material into the skin. Inspect the hose before each use.
- NEVER use a spray gun without a working trigger lock and trigger guard in place.
- All accessories must be rated at or above 3000 PSI/207 BAR. This includes spray tips, guns, extensions, and hose.

### NOTE TO PHYSICIAN:

Injection into the skin is a traumatic injury. It is important to treat the injury as soon as possible. DO NOT delay treatment to research toxicity. Toxicity is a concern with some coatings injected directly into the blood stream. Consultation with a plastic surgeon or reconstructive hand surgeon may be advisable.

**HAZARD: EXPLOSION AND FIRE - Solvent and paint fumes can explode or ignite. Severe injury and/or property damage can occur.**

**PREVENTION:**

- Provide extensive exhaust and fresh air introduction to keep the air within the spray area free from accumulation of flammable vapors.
- Avoid all ignition sources such as static electricity sparks, electrical appliances, flames, pilot lights, hot objects, and sparks from connecting and disconnecting power cords or working light switches.
- Do not smoke in spray area.
- Fire extinguisher must be present and in good working order.
- Place pump at least 20 feet (6.1 m) from the spray object in a well ventilated area (add more hose if necessary). Flammable vapors are often heavier than air. Floor area must be extremely well ventilated. The pump contains arcing parts that emit sparks and can ignite vapors.
- The equipment and objects in and around the spray area must be properly grounded to prevent static sparks.
- Use only conductive or grounded high-pressure fluid hose. Gun must be grounded through hose connections.
- Power cord must be connected to a grounded circuit.
- Always flush unit into separate metal container, at low pump pressure, with spray tip removed. Hold gun firmly against side of container to ground container and prevent static sparks.
- Follow material and solvent manufacturer's warnings and instructions.
- Use extreme caution when using materials with a flashpoint below 70° F (21° C). Flashpoint is the temperature at which a fluid can produce enough vapors to ignite.
- Plastic can cause static sparks. Never hang plastic to enclose spray area. Do not use plastic drop cloths when spraying flammable materials.
- Use lowest possible pressure to flush equipment.

**GAS ENGINE (WHERE APPLICABLE)**

Always place sprayer outside of structure in fresh air. Keep all solvents away from engine exhaust. Never fill fuel tank with a running or hot engine. Hot surface can ignite spilled fuel. Always attach ground wire from pump to a grounded object. Refer to engine owner's manual for complete safety information.

**HAZARD: EXPLOSION HAZARD DUE TO INCOMPATIBLE MATERIALS - will cause severe injury or property damage.**

**PREVENTION:**

- Do not use materials containing bleach or chlorine.
- Do not use halogenated hydrocarbon solvents such as bleach, mildewcide, methylene chloride and 1,1,1 - trichloroethane. They are not compatible with aluminum.
- Contact your coating supplier about the compatibility of material with aluminum.

**HAZARD: HAZARDOUS VAPORS - Paints, solvents, insecticides, and other materials can be harmful if inhaled or come in contact with body. Vapors can cause severe nausea, fainting, or poisoning.**

**PREVENTION:**

- Use a respirator or mask if vapors can be inhaled. Read all instructions supplied with the mask to be sure it will provide the necessary protection.
- Wear protective eyewear.
- Wear protective clothing as required by coating manufacturer.

**HAZARD: GENERAL - Can cause severe injury or property damage.**

**PREVENTION:**

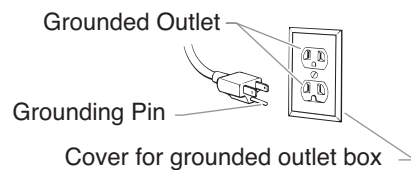
- Read all instructions and safety precautions before operating equipment.
- Follow all appropriate local, state, and national codes governing ventilation, fire prevention, and operation.
- The United States Government Safety Standards have been adopted under the Occupational Safety and Health Act (OSHA). These standards, particularly part 1910 of the General Standards and part 1926 of the Construction Standards, should be consulted.
- Use only manufacturer authorized parts. User assumes all risks and liabilities when using parts that do not meet the minimum specifications and safety devices of the pump manufacturer.
- Before each use, check all hoses for cuts, leaks, abrasion or bulging of cover. Check for damage or movement of couplings. Immediately replace hose if any of those conditions exist. Never repair a paint hose. Replace with a grounded high-pressure hose.
- All hoses, swivels, guns, and accessories must be pressure rated at or above 3000PSI/207 BAR.
- Do not spray outdoors on windy days.
- Wear clothing to keep paint off skin and hair.
- Always unplug cord from outlet before working on equipment.

**Grounding Instructions**

This product must be grounded. In the event of an electrical short circuit, grounding reduces the risk of electric shock by providing an escape wire for the electric current. This product is equipped with a cord having a grounding wire with an appropriate grounding plug. The plug must be plugged into an outlet that is properly installed and grounded in accordance with all local codes and ordinances.

**DANGER** — Improper installation of the grounding plug can result in a risk of electric shock. If repair or replacement of the cord or plug is necessary, do not connect the green grounding wire to either flat blade terminal. The wire with insulation having a green outer surface with or without yellow stripes is the grounding wire and must be connected to the grounding pin.

Check with a qualified electrician or serviceman if the grounding instructions are not completely understood, or if you are in doubt as to whether the product is properly grounded. Do not modify the plug provided. If the plug will not fit the outlet, have the proper outlet installed by a qualified electrician.



**CAUTION**

Use only a 3-wire extension cord that has a 3-blade grounding plug and a 3-slot receptacle that will accept the plug on the product. Make sure your extension cord is in good condition. When using an extension cord, be sure to use one heavy enough to carry the current your product will draw. An undersized cord will cause a drop in line voltage resulting in loss of power and overheating. A 12 gauge cord is recommended. If an extension cord is to be used outdoors, it must be marked with the suffix W-A after the cord type designation. For example, a designation of SJTW-A would indicate that the cord would be appropriate for outdoor use.

# Operation

## Purging and Priming

### CAUTION

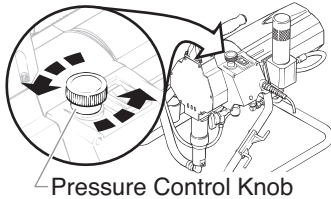
Always keep the spray gun locked in the off position while purging the system.

If this unit is new, it is shipped with test fluid in the fluid section to prevent corrosion during shipment and storage. If you are going to spray with latex paint, this fluid must be thoroughly cleaned out of the system. For spraying with solvent-based paint, thorough cleaning of this material is not necessary.

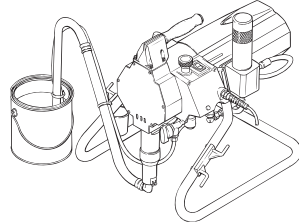
If it is already in service, you will need to purge the water or solvent used in cleanup.

### Purging and Priming the Pump for Latex Paint

1. Secure the return hose into a waste container.
2. Place a bucket of soapy water under the suction tube.
3. Turn the pressure control knob fully counterclockwise to reduce the pressure to its lowest setting.
4. Set the PRIME/SPRAY valve to PRIME.
5. Move the ON/OFF switch to ON.
6. Slowly turn the pressure control knob clockwise to increase the pressure until fluid starts to come out of the return hose. Use only enough pressure to keep the fluid coming out.
7. Turn the pressure control knob fully counterclockwise to its lowest setting when the test fluid is purged and soapy water is coming out of the return hose.
8. Remove the bucket of soapy water from the suction tube and replace it with a bucket of clear water.
9. Increase the pressure to the minimum necessary to keep fluid flowing until clear water is coming out of the return hose.
10. Turn the pressure control knob fully counterclockwise to its lowest setting.
11. Remove the bucket of water from under the suction tube and replace it with a container of latex paint.
12. Increase the pressure slowly until paint is coming through the return hose.
13. Remove the return hose from the waste container and place it in its operating position above the container of latex paint.
14. Keep circulating the paint through the system until the paint coming out of the return hose is free of air bubbles.
15. Turn the pressure control knob fully counterclockwise to its lowest setting.



Pressure Control Knob

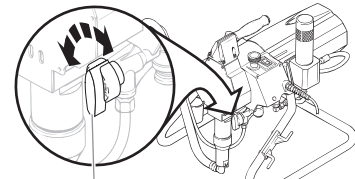


The pump is now purged. Skip to **Purging and Priming the Spray Hose**.

### Purging and Priming for Solvent-Based Paint

Thorough cleaning is not necessary when using solvent-based paint. All you need to do is purge the test fluid from the system.

1. Secure the return hose into a waste container.
2. Place a full container of paint under the suction tube.
3. Turn the pressure control knob fully counterclockwise to reduce the pressure to its lowest setting.
4. Set the PRIME/SPRAY valve to PRIME.
5. Move the ON/OFF switch to ON.
6. Slowly turn the pressure control knob clockwise to increase the pressure until fluid starts to come out of the return hose. Use only enough pressure to keep the fluid coming out.
7. Turn the pressure control knob fully counterclockwise to its lowest setting when the test fluid is purged and paint is coming out of the return hose.
8. Remove the return hose from the waste container and place it in its operating position above the container of solvent-based paint.
9. Keep circulating the paint through the system until the paint coming out of the return hose is free of air bubbles.
10. Turn the pressure control knob fully counterclockwise to its lowest setting.



PRIME/SPRAY Valve

The pump is now purged. Skip to **Purging and Priming the Spray Hose**.

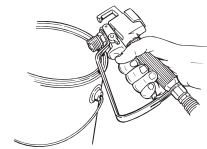
### Purging and Priming the Spray Hose

After the pump is purged and primed, you must do the same for the spray hose.

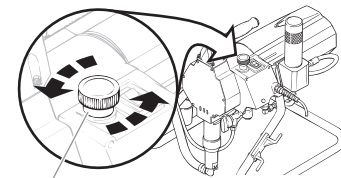
**NOTE:** Make certain that the spray gun has no tip installed.

### WARNING

If a metal container is used, ground the gun by holding it against the edge of the container while flushing. Failure to do so may lead to a static electric discharge which may cause a fire.



1. Turn the pressure control knob fully counterclockwise to its lowest setting.
2. Set the PRIME/SPRAY knob to SPRAY.
3. Unlock the spray gun.
4. Turn the pressure control knob slowly clockwise to increase pressure.
5. Trigger the gun into a waste container until all air, water or solvent is purged from the spray hose and paint is flowing freely.
6. Turn the pressure control knob fully counterclockwise to its lowest setting.
7. Set the PRIME/SPRAY knob to PRIME and trigger the gun into the waste container to be sure that no pressure is left in the hose.
8. Lock the spray gun off.



Pressure Control Knob



# Operating the Spray Gun

## ⚠️ WARNING

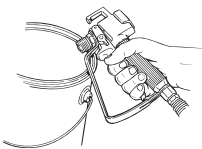
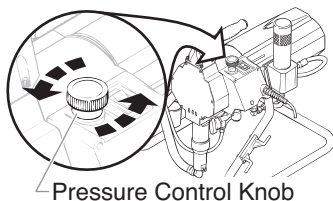
**POSSIBLE INJECTION HAZARD.** Do not spray without the tip guard in place. Never trigger the gun unless the tip is in either the spray or the unclog position. Always engage the gun trigger lock before removing, replacing or cleaning tip.

## Pressure Relief Procedure

## ⚠️ WARNING

**Be sure to follow the pressure relief procedure when shutting the unit down for any purpose, including servicing or adjusting any part of the spray system, changing or cleaning spray tips, or preparing for cleanup.**

1. Lock the gun by turning the gun trigger lock to the locked position.
2. Move the ON/OFF switch to OFF.
3. Turn the pressure control knob counterclockwise to its lowest setting.
4. Turn the PRIME/SPRAY knob to PRIME.
5. Unlock the gun by turning the gun trigger lock to the unlocked position.
6. Hold the metal part of the gun firmly to the side of a metal container to ground the gun and avoid a build up of static electricity.
7. Trigger the gun to remove any pressure which may still be in the hose.
8. Lock the gun by turning the gun trigger lock to the locked position.



## ⚠️ WARNING

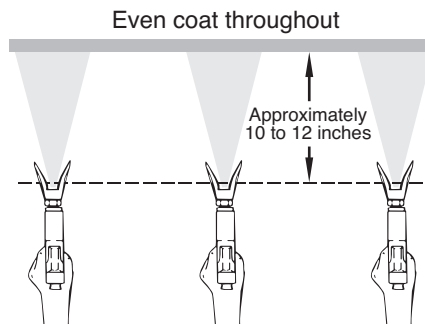
**POSSIBLE INJECTION HAZARD.** Do not spray without the tip guard in place. Never trigger the gun unless the tip is in either the spray or the unclog position. Always engage the gun trigger lock before removing, replacing or cleaning tip.

# Spraying

**NOTE:** When spraying block filler, mastics or high solid coating, leave out the gun filter and high pressure filter screens.

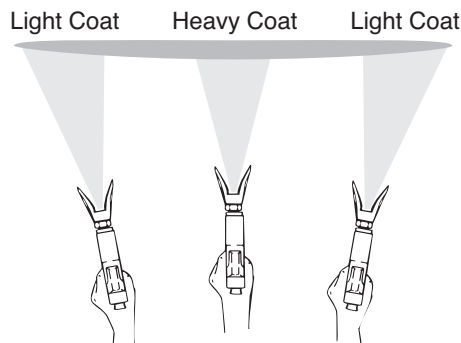
## Spraying Technique

The key to a good paint job is an even coating over the entire surface. This is done by using even strokes. Keep your arm moving at a constant speed and keep the spray gun at a constant distance from the surface. The best spraying distance is 10 to 12 inches between the spray tip and the surface.



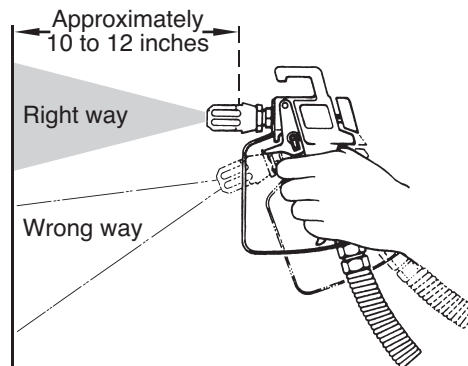
Keep stroke smooth and at an even speed.

Keep the spray gun at right angles to the surface. This means moving your entire arm back and forth rather than just flexing your wrist.

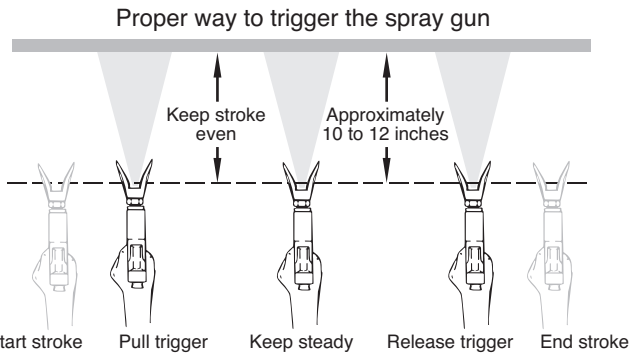


Do not flex wrist while spraying.

Keep the spray gun perpendicular to the surface, otherwise one end of the pattern will be thicker than the other.



The spray gun should be triggered by turning it on and off with each stroke. This will save paint and avoid paint buildup at the end of the stroke. Do not trigger the gun during the middle of a stroke. This will result in an uneven spray and splotchy coverage.

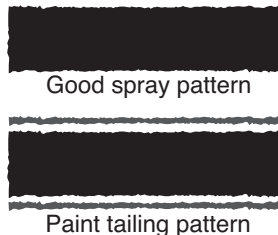


Overlap each stroke by about 30%. This will ensure an even coating.

When you stop painting, lock the gun trigger lock, turn the pressure control knob counterclockwise to its lowest setting and set the PRIME/SPRAY valve to PRIME. Turn the ON/OFF switch to OFF and unplug the sprayer.

## Practice

1. Be sure that the paint hose is free of kinks and clear of objects with sharp cutting edges.
2. Turn the pressure control knob counterclockwise to its lowest setting.
3. Turn the PRIME/SPRAY valve to SPRAY.
4. Turn the pressure control knob clockwise to its highest setting. The paint hose should stiffen as paint begins to flow through it.
5. Unlock the gun trigger lock.
6. Trigger the spray gun to bleed air out of the hose.
7. When paint reaches the spray tip, spray a test area to check the spray pattern.
8. Use the lowest pressure setting necessary to get a good spray pattern. If the pressure is set too high, the spray pattern will be too light. If the pressure is set too low, tailing will appear or the paint will spatter out in gobs rather than in a fine spray.



## Cleanup

### ⚠ WARNING

#### Special cleanup instructions for use with flammable solvents:

- Always flush spray gun preferably outside and at least one hose length from spray pump.
- If collecting flushed solvents in a one gallon metal container, place it into an empty five gallon container, then flush solvents.
- Area must be free of flammable vapors.
- Follow all cleanup instructions.

### ⚠ CAUTION

The pump, hose, and gun should be cleaned thoroughly after daily use. Failure to do so permits material to cake, seriously affecting the performance of the unit.

### ⚠ WARNING

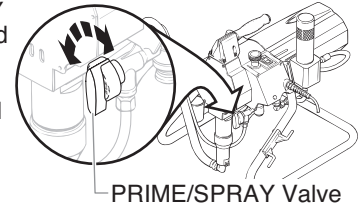
Always spray at minimum pressure with the gun nozzle tip removed when using mineral spirits or any other solvent to clean the pump, hose, or gun. Static electricity buildup may result in a fire or explosion in the presence of flammable vapors.

## Flushing the Unit

Flush the unit with a solvent appropriate to the material being sprayed after daily use. The unit then should be flushed again using mineral spirits with a flash point of 140°F (60°C) or above.

For long term storage, flush the unit with an appropriate oil before storing.

1. Follow the pressure relief procedure found earlier in this manual.
2. Turn the PRIME/SPRAY valve to SPRAY to bleed off any pressure remaining in the pump.
3. Remove the gun tip and clean with a solution appropriate to the type of material being sprayed.
4. Remove the material container and replace it with a container of solvent appropriate to the type of material being sprayed.
5. Check to be sure the pressure control knob is turned fully counterclockwise to its lowest setting.
6. Move the ON/OFF switch to ON.
7. Trigger the spray gun into a waste container until solvent comes out and the pump, hose, and gun are clean.
8. Follow the pressure relief procedure found earlier in this manual.
9. Make certain that the ON/OFF switch is in the OFF position.
10. Turn the PRIME/SPRAY valve to SPRAY to bleed off any remaining solvent.
11. Unplug the unit and store in a clean, dry area.



## Maintenance

### Daily Maintenance

Perform the following procedures daily.

#### Filling the Oil Cup

Before you start to spray each day, fill the oil cup on the front cover of the pump housing with approximately one teaspoon of separating oil.

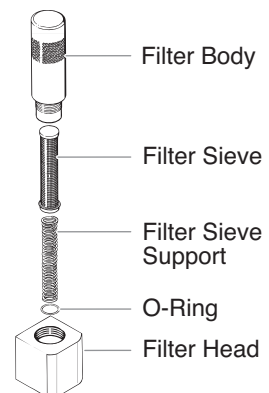
**NOTE: Do not apply so much that it overflows and drips into the paint.**

This lubricant keeps the piston seals pliant, minimizing paint bypass and piston wear. If the unit is operated several hours a day, lubricate approximately every 4 hours.

#### Cleaning the High Pressure Filter Screen

The high pressure filter will clog and must be cleaned at least once a day.

1. Turn the filter body counterclockwise to remove it from the filter head.
2. Take out the filter sieve and wash it thoroughly with the appropriate solvent. Scrub the filter sieve with a fiber-bristled brush if necessary.



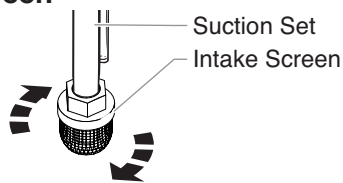
### ⚠ CAUTION

Do not use a wire brush. It could damage the filter sieve.

**NOTE: If you are using block fillers, mastics or other similar materials, leave the filter out.**

## Cleaning the Intake Screen

1. Remove the intake screen and clean with a solvent appropriate to the type of material being used.



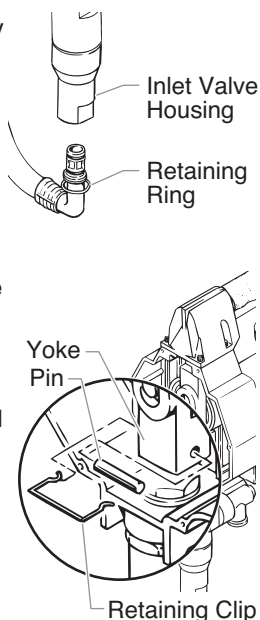
## Servicing the Fluid Section

Servicing the fluid section includes replacing the T-lip packings, the piston, and valve parts that show signs of wear.

**NOTE: If any parts are difficult to disassemble, soak them in an appropriate solvent until the paint softens.**

### Removing the Fluid Section

1. Using a flat blade screwdriver, pry the retaining ring out of the bottom of the inlet valve housing and remove the suction set assembly.
2. Unscrew the fluid hose from the fluid section assembly.
3. Loosen and turn the return line fitting away from the fluid section assembly.
4. Unscrew the 6 screws holding the cover to the front of the pump housing and remove the cover.
5. Pull the retaining clip from the yoke and pin.
6. Push the pin out of the piston and yoke. Use the short end of a hex wrench if necessary.
7. Loosen the lock nut at the top of the fluid section assembly.
8. Unscrew the fluid section assembly from the pump.



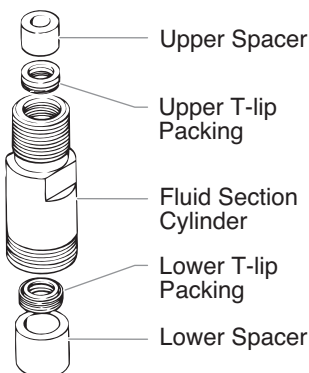
### Maintaining the T-lip Packings

#### Removing the T-lip Packings

1. Place the wrench flats of the inlet valve housing into a vise and unscrew the fluid section from the inlet valve housing.
2. Unscrew the packing nut from the fluid section.

**NOTE: When removing the piston, keep the piston from falling or the piston may be damaged.**

3. Push the piston out through the lower end of the fluid section. Tap the top of the piston with a rubber mallet if necessary.
4. Remove the upper and lower spacers from the fluid section.
5. Push the T-lip packings out of the fluid section with a screwdriver. To push out the upper seal, insert the screwdriver through the lower end of the fluid section. To push out the lower seal, insert the screwdriver through the upper end of the fluid section.

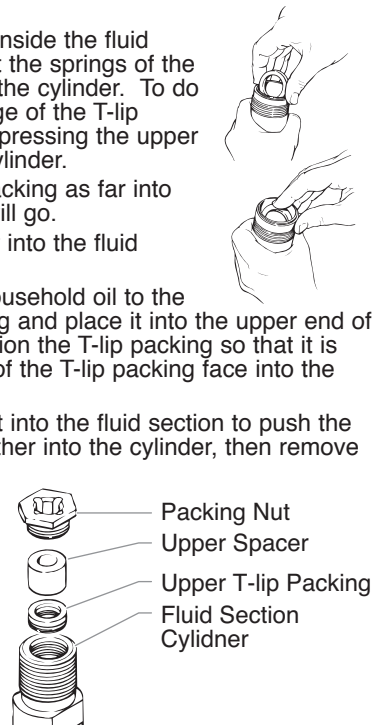


**NOTE: When removing the T-lip packings, be careful not to scrape or gouge the inside surface of the fluid section with the screwdriver.**

### Replacing the T-lip Packings

**NOTE: For maximum lower T-lip packing life, use a packing guide tool (see fluid section parts list for part number) to insert the lower T-lip packing into the cylinder. If you do not have a packing guide tool, follow steps 1 – 2 of the procedure below.**

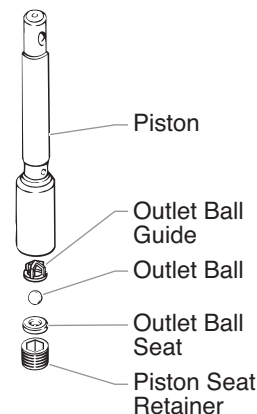
1. Apply a light coat of household oil to the new lower T-lip packing and insert it edge-first into the lower end of the fluid section.
2. Turn the T-lip packing inside the fluid section cylinder so that the springs of the T-lip packing face into the cylinder. To do this, hold the lower edge of the T-lip packing in place while pressing the upper edge further into the cylinder.
3. Push the lower T-lip packing as far into the fluid section as it will go.
4. Insert the lower spacer into the fluid section.
5. Apply a light coat of household oil to the new upper T-lip packing and place it into the upper end of the fluid section. Position the T-lip packing so that it is level and the springs of the T-lip packing face into the cylinder.
6. Thread the packing nut into the fluid section to push the upper T-lip packing farther into the cylinder, then remove the packing nut.
7. Insert the upper spacer into the fluid section.
8. Push the upper spacer as far into the fluid section as it will go.
9. Screw the packing nut into the fluid section. Torque to 25-30 ft./lbs.



### Maintaining the Valves

#### Replacing the Piston and Worn Parts of the Outlet Valve

1. Turn the piston upside down and use a hex wrench to remove the piston seat retainer from the lower end of the piston.
2. Cover the open end of the piston and turn the piston right-side up again to remove the outlet ball seat and outlet ball.
3. Insert a new outlet ball guide into the new piston. The open end of the ball guide should face the open end of the piston. Use the head of a long nail or screw to seat the ball guide past the threads inside the piston if necessary.
4. Insert a new outlet ball into the outlet ball guide.
5. Check the outlet ball seat for wear. If both sides are worn, insert a new ball seat into the piston on top of the ball. If only one side of the ball seat is worn, insert it into the piston with the worn side facing away from the ball.
6. Apply an appropriate thread-locking compound to the threads of the piston seat retainer.



**NOTE: Do not put the new piston into a vise. Putting the piston into a vise may damage the piston.**

7. Screw the piston seat retainer into the lower end of the piston. Torque the retainer to 12 ft./lbs.

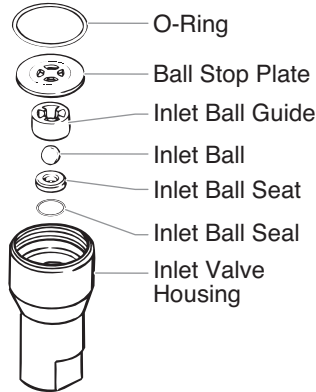
## ⚠ CAUTION

**Do not torque the piston seat retainer more than 12 ft./lbs. Over-torquing may damage the ball guide and prevent normal operation of the pump.**

8. Apply a light coat of household oil to the piston and insert it, shaft first, into the lower end of the fluid section until it seats. Tap the bottom of the piston gently with a rubber mallet if necessary.

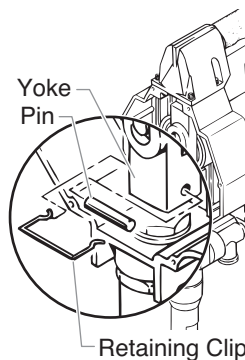
### Replacing Worn Parts of the Inlet Valve

1. Remove the O-ring from the inlet valve housing.
2. Cover the top of the inlet valve housing and turn it upside down to remove the inlet ball stop disk, inlet ball guide, inlet ball, inlet ball seat, and inlet ball seal.
3. Insert a new inlet ball seal into the inlet valve housing.
4. Check the inlet ball seat for wear. If both sides are worn, insert a new ball seat into the housing. If only one side of the ball seat is worn, insert it into the housing with the worn side facing down.
5. Place a new inlet ball on the inlet ball seat in the housing.
6. Place the inlet ball guide over the inlet ball.
7. Place the inlet ball stop plate over the ball guide.
8. Insert a new O-ring into the inlet valve housing.
9. Place the wrench flats of the inlet valve housing into a vise and screw the fluid section into the inlet valve housing. Torque the inlet valve housing to 85-95 ft./lbs.



### Attaching the Fluid Section

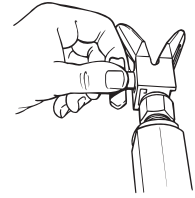
1. Turn the lock nut on the fluid section until it reaches the bottom of the threads.
2. Thread the fluid section into the pump housing.
3. Rotate the fluid section to align the hole in the piston shaft with the holes in the yoke.
4. Insert the pin through the yoke and piston.
5. Snap the retaining clip around the pin and yoke.
6. Screw the fluid section into the pump housing as far as it will go, then unscrew it slightly so that the fluid hose fitting will align with the fluid hose.
7. Firmly tighten the lock nut at the top of the fluid section assembly against the pump housing using an adjustable wrench.
8. Tighten the return line fitting back to its original position.
9. Fill the reservoirs in the packing nut with hydraulic oil.
10. Replace the pump housing cover and screw in the 6 screws that hold it in place.
11. Tighten the fluid hose onto the fluid hose fitting on the fluid section.
12. Insert the elbow on the suction set assembly into the bottom of the inlet valve housing.
13. Push the retaining ring up into the groove inside the inlet valve housing to secure the suction set assembly in position.



## Cleaning the Spray Tip

1. Flush the gun with solvent immediately after the work is completed.
2. Oil the sliding pins to prevent them from seizing up.

Should the spray tip become clogged, reverse the spray tip with the lever and pull the trigger. Once the obstruction comes out of the spray tip, release the trigger, reverse the spray tip back to the spray pattern setting, and resume spraying.



## ⚠ WARNING

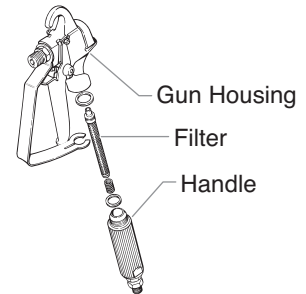
**Do not attempt to clean the tip with your finger. Do not use a needle or other sharp pointed instrument to clean the tip. The hard tungsten carbide is brittle and can be chipped.**

## Cleaning the Filter

Clean the filter with a brush dipped in solvent. Never poke the filter with a sharp instrument.

### Changing the Filter

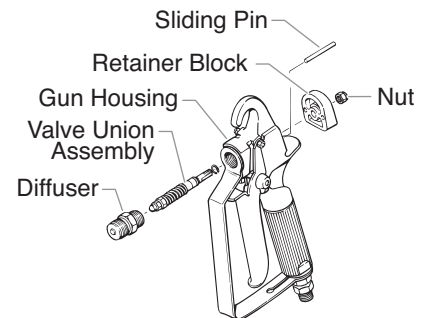
1. Pull the trigger guard forward so that it comes loose from the handle.
2. Unscrew the handle from the housing and remove the old filter.
3. Slide the new filter, taper end first, into the gun housing.
4. Replace the handle, washer and spring. Screw the handle into the housing until hand-tight. Replace the trigger guard.



## Replacing the Valve Spring Unit

**NOTE: Replace the packing if the spray gun is disassembled. Replace the sliding pins if they are worn.**

1. Unscrew the spray tip.
2. Lock the gun in the ON position and remove the diffuser with a wrench.
3. Unlock the gun.
4. Unscrew the nut with a wrench and remove the retainer block.
5. Remove the sliding pins with care and store them in a safe place so they will not be lost.
6. Drive the valve spring unit forward from the back of the retainer block. Use the handle of a wooden hammer or similar soft tool to avoid damaging the valve spring unit.





## Accessories

<b>Part No.</b>	<b>Description</b>
0550xxx	XL-1 Tip Assembly
0297xxx	RC Tip Assembly
0502xxx	Replacement Core, RC Tip
0297078	Tip Guard (11/16")
0297070	Tip Guard (7/8")
0291004	Hose, Whip End, 3' x 3/16"
0291003	Hose, Whip End, 5' x 3/16"
0291002	Hose, Wireless, 25' x 1/4"
0291000	Hose, Wireless, 50' x 1/4"
0093896	Hose Connector, 1/4" x 1/4"M
0088154	Pressure Gauge
0152001	Power Roller Gun Attachment
0152308	9" Roller Cover, 3/8" Nap
0152307	9" Roller Cover, 1/2" Nap
0152309	9" Roller Cover, 3/4" Nap
0152310	9" Roller Cover, 1-1/4" Nap
0152235	12" Roller Cover, 1/2" Nap
0152236	12" Roller Cover, 3/8" Nap
0152237	12" Roller Cover, 3/4" Nap
0152238	12" Roller Cover, 1-1/4" Nap
0152700	Adapter, Power Roller Extension
0270145	G-10 Four Finger Airless Spray Gun (no tip)
0093930	Anti-Seize Compound
0152909	R-10 Telescoping Roller, 9", 3/8" Nap
0152900	R-10 Telescoping 12" Roller, 3/8" Nap
0502007	G-10 Four Finger Airless Spray Gun with 517 Reversible Tip
0502011	G-10 Two Finger Airless Spray Gun (no tip)
0502009	G-10 Two Finger Airless Spray Gun with 517 Reversible Tip
0270214	G-10 Four Finger Spray Pack with 50' x 1/4" airless hose
0502012	G-10 Two Finger Spray Pack with 50" x 1/4" Airless Hose

## Choosing the Correct Spray Gun Filter

Use the proper gun filter based on the type of material being applied as shown below.

<b>Part no.</b>	<b>Application</b>	<b>Filter type</b>	<b>Mesh number</b>	<b>Color of Filter body</b>
0089960	Synthetic resin, enamels, clean varnishes, stains azures	Extrafine	0.084 mm	red
0089959	Base coat enamels, primer enamels, fillers, marking paints, textured enamels	Fine	0.140 mm	yellow
0089958	Emulsions, latex paints, acrylic paints	Medium	0.315 mm	white
0089957	Filler paints, large area surfaces	Coarse	0.560 mm	green

# Troubleshooting

## Problem

The unit will not run.

## Cause

1. The unit is not plugged in.
2. Tripped breaker.
3. The pressure is set too low (pressure control knob set at minimum setting does not supply power to unit).
4. Faulty or loose wiring.
5. Excessive motor temperature.
6. ON/OFF switch is defective.

## Solution

1. Plug the unit in.
2. Reset the breaker.
3. Turn the pressure control knob clockwise to supply power to the unit and increase the pressure setting.
4. Inspect or take to a SprayTECH authorized service center.
5. Allow motor to cool.
6. Replace the ON/OFF switch.

The unit will not prime.

1. The PRIME/SPRAY valve is in the SPRAY position.
2. Air leak in the siphon tube/suction set.
3. The pump filter and/or inlet screen is clogged.
4. The siphon tube/suction set is clogged.

1. Rotate the PRIME/SPRAY valve clockwise to the PRIME position.
2. Check the siphon tube/suction set connection and tighten or re-tape the connection with PTFE tape.
3. Remove the pump filter element and clean. Remove the inlet screen and clean.
4. Remove the siphon tube/suction set and clean.

The unit will not build or maintain pressure.

1. The spray tip is worn.
2. The spray tip is too large.
3. The pressure control knob is not set properly.
4. The pump filter, gun filter, or inlet screen is clogged.
5. Material flows from the return hose when the PRIME/SPRAY valve is in the SPRAY position.
6. Air leak in the siphon tube/suction set.
7. There is external fluid leak.
8. There is an internal fluid section leak (packings are worn and/or dirty, valve balls are worn).
9. Worn valve seats
10. Motor powers but fails to rotate

1. Replace the spray tip following the instructions that came with the spray gun.
2. Replace the spray tip with a tip that has a smaller orifice following the instructions that came with the spray gun.
3. Turn the pressure control knob clockwise to increase the pressure setting.
4. Remove the pump filter element and clean. Remove the gun filter and clean. Remove the inlet screen and clean.
5. Clean or replace the PRIME/SPRAY valve.
6. Check the siphon tube/suction set connection and tighten or re-tape the connection with PTFE tape.
7. Check for external leaks at all connections. Tighten connections, if necessary.
8. Clean the valves and service the fluid section following the "Servicing the Fluid Section" procedure in the Maintenance section of this manual.
9. Reverse or replace the valve seats following the "Servicing the Fluid Section" procedure in the Maintenance section of this manual.
10. Take unit to a SprayTECH authorized service center.

Fluid leakage at the upper end of the fluid section.

1. The upper packings are worn.
2. The piston rod is worn.

1. Repack the pump following the "Servicing the Fluid Section" procedure in the Maintenance section of this manual.
2. Replace the piston rod following the "Servicing the Fluid Section" procedure in the Maintenance section of this manual.

Excessive surge at the spray gun.

1. Wrong type of airless spray hose.
2. The spray tip worn or too large.
3. Excessive pressure.

1. Replace hose with a minimum of 50' of 1/4" grounded textile braid airless paint spray hose.
2. Replace the spray tip following the instructions that came with the spray gun.
3. Rotate the pressure control knob counterclockwise to decrease spray pressure.

Poor spray pattern.

1. The spray tip is too large for the material being used.
2. Incorrect pressure setting.
3. Insufficient fluid delivery.
4. The material being sprayed is too viscous.

1. Replace the spray tip with a new or smaller spray tip following the instructions that came with the spray gun.
2. Rotate the pressure control knob to adjust the pressure for a proper spray pattern.
3. Clean all screens and filters.
4. Add solvent to the material according to the manufacturer's recommendations.

The unit lacks power.

1. The pressure adjustment is too low.
2. Improper voltage supply.

1. Rotate the pressure control knob clockwise to increase the pressure setting.
2. Reconnect the input voltage for 120V AC.

# Limited Warranty

## Commercial Airless Spray Equipment

### Two Year Warranty

SprayTECH, a division of Wagner Spray Tech Corporation ("SprayTECH"), warrants this product against defects in material and workmanship for a period of two years following the date of purchase by the original purchaser. During that period, SprayTECH will repair or replace any defective or worn-out component or, at SprayTECH's option, refund to the original purchaser the full purchase price for the product in exchange for the return of that product. However, SprayTECH will not replace or repair any fluid pump component on account of wear more than once during the two year warranty period. This warranty does not cover consumable products such as filters and tips.

### Lifetime Warranty on Gear Trains, Electric Motors, and Gas Engines

SprayTECH warrants any gear train, electric motor (excluding brushes) and gas engine (excluding the clutch) in this product **against defects in material and workmanship for the lifetime of the original purchaser**. If SprayTECH determines that the foregoing warranty has been breached, SprayTECH will repair or replace the defective components without charge or, at SprayTECH's option, refund to the original purchaser the full purchase price for the product in exchange for the return of that product.

### Warranty Claims

Any request for repair or replacement pursuant to the warranties above must be accompanied by the return of the applicable parts, with transportation charges prepaid, to a service center authorized by SprayTECH or to Wagner Spray Tech Corporation, 1770 Fernbrook Lane, Minneapolis, MN 55447.

### Limitation of Remedies

THE REMEDIES SET FORTH ABOVE ARE THE EXCLUSIVE REMEDIES AVAILABLE FOR BREACH OF EXPRESS AND IMPLIED WARRANTIES. These remedies shall not be deemed to have failed of their essential purpose so long as SprayTECH is willing to repair or replace parts, or to refund the purchase price, as set forth above.

### What Is Not Covered By This Warranty

This warranty does not cover defects or damages caused by:

- the use or installation of repair or replacement parts or accessories not manufactured by SprayTECH;
- repair performed by anyone other than a SprayTECH Authorized Service Center; or
- abuse, misuse, negligence, accident, faulty installation or tampering in a manner which impairs normal operation.

This warranty also does not cover equipment and accessories supplied to SprayTECH from an original equipment manufacturer, including but not limited to hoses, tips, and accessories. SprayTECH will provide the purchaser with copies of the original equipment manufacturer's express warranties provided to SprayTECH along with the name and address of the appropriate manufacturer.

### Limitation of Remedies

IN NO CASE SHALL SPRAYTECH BE LIABLE FOR ANY INCIDENTAL, SPECIAL OR CONSEQUENTIAL DAMAGES OR LOSS, INCLUDING TRANSPORTATION COSTS, WHETHER SUCH DAMAGES ARE BASED UPON A BREACH OF EXPRESS OR IMPLIED WARRANTIES, BREACH OF CONTRACT, NEGLIGENCE, STRICT TORT, OR ANY OTHER LEGAL THEORY.

### Disclaimer of Implied Warranties

THE FOREGOING WARRANTIES ARE IN LIEU OF ALL OTHER WARRANTIES, EXPRESS OR IMPLIED, INCLUDING BUT NOT LIMITED TO THE IMPLIED WARRANTIES OF MERCHANTABILITY AND FITNESS FOR A PARTICULAR PURPOSE.

### No Ability To Transfer

This warranty is extended to the original purchaser only and is not transferable.

### SprayTECH 30-Day Satisfaction Guarantee

If, within a 30-day period from the date of purchase, you are not totally satisfied with a SprayTECH/CAPSpray unit, you may return it for full credit toward another SprayTECH or CAPSpray product of equal or greater value.

## Patents

These products are covered by one or more of the following U.S. patents:

5,234,592	D344,832	5,318,314	5,252,210	5,228,842	5,192,425	5,099,183
5,346,037	5,494,199	5,472,318	5,435,697	5,211,611	5,671,656	D384,676
5,282,722	4,992,633	5,725,364	5,769,321	5,848,566	6,031,352	D376,637
D387,414	D382,938	D405,159	D412,965	5,505,381	5,765,753	5,887,793
5,893,522	5,947,381	5,749,528	5,660,332	5,425,506	4,768,929	4,611,758
4,508,268						

### SprayTECH®

1770 Fernbrook Lane  
Minneapolis, Minnesota 55447  
Telephone 1-800-292-4637

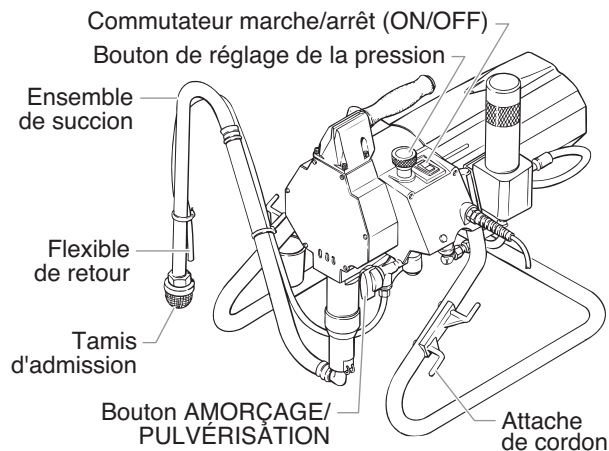
Material Safety Data Sheets (MSDS) are available on SprayTECH's website or by calling Technical Service.

## Table des matières

Introduction .....	12
Sécurité .....	12
Instructions de mise à la terre .....	14
Mode d'emploi .....	14
Vidange et amorçage .....	14
Mode d'emploi du pistolet de pulvérisation .....	15
Procédure de décompression .....	15
Pulvérisation .....	16
Technique de pulvérisation .....	16
Utilisation .....	16
Nettoyage .....	16
Purge de l'appareil .....	17
Entretien .....	17
Entretien quotidien .....	17
Entretien du compartiment à liquide .....	17
Nettoyage de la tête de pulvérisation .....	19
Nettoyage du filtre .....	19
Remplacement du ressort de valve .....	19
Accessoires .....	19
Choix du filtre approprié pour le pistolet de pulvérisation .....	19
En cas de problème .....	20
Garantie limitée .....	21
Liste des pièces .....	32
Dispositif de principale .....	32
Dispositif de chariot .....	33
Dispositif de entraînement .....	34
Transducteur .....	35
Dispositif de succion .....	35
Dispositif de réglage de la pression .....	36
Compartiment liquide .....	37
Pistolet .....	38
Valve amorçage/pulvérisation .....	38
Filtre .....	39
Dispositif de basse chariot .....	40
Dispositif de pied .....	40
Diagramme de relais .....	40
Dispositif de réglage de la pression connectant le diagramme .....	41

## Introduction

Cette pompe à piston de haute performance est un appareil électrique de précision qui peut être utilisé pour la pulvérisation d'un grand nombre de produits. Lisez attentivement ce manuel et suivez scrupuleusement les consignes qui y sont données quant au mode de fonctionnement, à l'entretien et l'utilisation sécuritaire de l'appareil.



## Sécurité

Le présent manuel comprend des renseignements devant être lus attentivement avant toute utilisation de l'appareil. Lorsque l'un des symboles suivants apparaît, il est recommandé d'être particulièrement attentif et de tenir compte des mesures de sécurité indiquées.

### ⚠ AVERTISSEMENT

Ce symbole indique un danger potentiel pouvant causer des blessures graves ou même mortelles. Des renseignements importants sur la sécurité sont également indiqués.

### ⚠ ATTENTION

Ce symbole indique un danger potentiel pouvant causer des blessures corporelles ou des dommages à l'équipement. Des renseignements importants sur la façon de prévenir tout dommage à l'équipement ou toute blessure corporelle mineure sont également indiqués.

**NOTA : Les remarques donnent des renseignements importants requérant une attention particulière.**

### ⚠ AVERTISSEMENT

**DANGER: BLESSURES PAR PERFORATION - Le jet de peinture à haute pression produit par cet appareil peut perforer la peau et les tissus sous-jacents et entraîner de sévères blessures pouvant nécessiter une amputation. Consultez immédiatement un médecin.**

**NE PAS TRAITER UNE BLESSURE PAR PERFORATION COMME UNE SIMPLE COUPURE! Une perforation peut entraîner des risques d'amputation. Consultez immédiatement un médecin.**

**Pression de service maximale du fluide dans l'appareil : 3000 lb/po2 / 207BAR.**

#### MESURES PRÉVENTIVES:

- NE JAMAIS diriger le pistolet vers une quelconque partie du corps.
- NE JAMAIS mettre une quelconque partie du corps en contact avec le jet de liquide. NE JAMAIS se mettre au contact d'un jet de liquide provenant d'une fuite du flexible d'alimentation en liquide.
- NE JAMAIS placer votre main devant le pistolet. Des gants ne vous protégeront pas contre les risques de blessures par perforation.
- TOUJOURS verrouiller la gâchette du pistolet, fermer la pompe à liquide et décompresser l'appareil lorsque vous travaillez sur celui-ci, nettoyez le protecteur de tête, remplacez la tête de pulvérisation ou vous éloignez de l'appareil. Couper le moteur ne décompresse pas l'appareil. Vous devez, pour le décompresser, placer le bouton AMORÇAGE/PULVÉRISATION en position AMORÇAGE. Reportez-vous, pour cela, à la PROCÉDURE DE DÉCOMPRESSION décrite dans de ce manuel.
- TOUJOURS s'assurer que le protecteur de tête est en place lorsque vous pulvérisiez. Le protecteur de tête offre une certaine protection contre les blessures par perforation mais sa principale fonction est d'ordre préventif.
- TOUJOURS ôter la tête de pulvérisation avant de purger ou nettoyer l'appareil.
- Le flexible d'alimentation en peinture peut fuir à la suite d'une usure, de chocs ou de mauvais traitements. Une fuite peut entraîner une perforation de la peau. Inspecter le flexible avant chaque utilisation.
- NE JAMAIS utiliser un pistolet dont la gâchette n'est pas munie d'un loquet ou un cran de sécurité qui soit en état de fonctionner.
- Tous les accessoires doivent être homologués pour une pression égale ou supérieure à 3000 lb/po2 / 207BAR. Cela s'applique, entre autres, aux têtes de pulvérisation, aux accessoires du pistolet et aux flexibles.



**AVERTISSEMENT AUX MÉDECINS : Une perforation sous-cutanée constitue un traumatisme. Il est important de traiter la blessure de façon chirurgicale aussitôt que possible. NE RETARDEZ PAS ce traitement pour des recherches de toxicité. La toxicité n'est un risque que dans les cas où certains produits de revêtement pénètrent dans le flux sanguin. Il peut être nécessaire de faire appel à des soins de chirurgie plastique ou de reconstruction de la main.**

**DANGER: RISQUES D'EXPLOSION OU D'INCENDIE - Les vapeurs dégagées par le solvant ou la peinture sont explosives et inflammables et peuvent causer des corporels sérieux ou dommages matériels.**

#### **MESURES PRÉVENTIVES:**

- Veiller à éviter toute accumulation de vapeurs inflammables en vous assurant que la zone où la pulvérisation a lieu est suffisamment ventilée.
- Veiller à éviter la présence de toute source incandescente telle qu'étincelle électrostatique, flamme nue, flamme-pilote, objet brûlant, cigarette et étincelle provenant du branchement ou du débranchement d'un cordon d'alimentation électrique ou d'un commutateur.
- Ne pas fumer dans la zone d'épandage.
- Toujours avoir un extincteur en état de fonctionner à portée de la main.
- Placer la pompe à peinture à une distance d'au moins un mètre (3 pi) (on recommande d'ailleurs une plus grande distance) de l'objet qui doit être vaporisé dans une pièce séparée bien aérée, ou à une distance d'au moins six mètres (20 pi) de celui-ci dans une zone bien aérée (utiliser d'autres tuyaux si nécessaires). Les vapeurs inflammables sont souvent plus lourdes que l'air. Le plancher doit être extrêmement bien aéré. La pompe à peinture contient des pièces pouvant créer des étincelles et enflammer les vapeurs présentes dans l'air.
- Le matériel utilisé, ainsi que les objets se trouvant à proximité de la zone de pulvérisation, doivent être convenablement reliés à la terre afin d'éviter toute étincelle ou toute décharge électrostatique.
- N'utiliser que des flexibles d'alimentation en liquide à haute pression conducteurs ou reliés à la terre dans les cas d'utilisation sans air comprimé. S'assurer que le pistolet est convenablement relié à la terre par l'intermédiaire du flexible.
- Le cordon d'alimentation doit être raccordé à un circuit mis à la terre.
- Toujours purger l'appareil dans un contenant métallique séparé, en s'assurant que la pompe soit à basse pression et que le chapeau soit retiré. Tenir le pistolet fermement contre la paroi du contenant pour mettre celui-ci à la terre et empêcher l'émission d'étincelles causées par l'électricité statique.
- Se conformer aux consignes et recommandations de sécurité du fabricant du solvant ou du produit.
- S'entourer de toutes les précautions possibles lorsqu'on utilise des produits ayant un point d'éclair inférieur à 21 °C (70 °F). Le point d'éclair d'un fluide est la température à laquelle les vapeurs émanant du fluide peuvent s'enflammer au contact d'une flamme ou d'une étincelle.
- Le plastique peut être une source d'étincelles provoquées par l'électricité statique. Ne jamais utiliser une couverture en plastique pour fermer une zone d'épandage ni utiliser des toiles de protection en plastique lors de la pulvérisation de matières inflammables.
- Lorsque vous purgez l'appareil, veillez à utiliser à la pression minimale.

#### **MOTEUR À ESSENCE (DANS LES CAS OÙ CELA S'APPLIQUE)**

Toujours placer la pompe à l'extérieur de la structure à l'air frais. Garder tous les solvants loin de l'échappement du moteur. Ne jamais remplir le réservoir à carburant lorsque le moteur est en marche ou lorsqu'il est chaud ; les surfaces chaudes risquent d'enflammer le carburant déversé accidentellement. Toujours raccorder un fil de mise à la terre entre la pompe et un objet mis à la terre, tel qu'une conduite d'eau métallique. Se reporter au guide d'utilisation du moteur pour obtenir de plus amples renseignements concernant la sécurité.

**DANGER: RISQUES D'EXPLOSION PAR INCOMPATIBILITÉ DES MATÉRIAUX - Peuvent être à l'origine de corporels sérieux ou dommages matériels.**

#### **MESURES PRÉVENTIVES:**

- Ne pas utiliser de matériaux contenant des agents de blanchiment ou du chlore.
- Ne pas utiliser des solvants à base d'hydrocarbure halogéné tels que l'agent anticryptogamique, le chlorure de méthylène et le trichloro-éthane-1,1,1. Ces produits ne sont pas compatibles avec l'aluminium.
- Communiquer avec votre fournisseur de revêtement pour connaître la compatibilité du matériau avec l'aluminium.

**DANGER: VAPEURS NOCIVES – la peinture, les solvants, les insecticides et autres matériaux peuvent être nocifs lorsqu'ils sont inhalés ou en contact avec le corps. Les vapeurs peuvent causer une nausée importante, des évanouissements ou un empoisonnement.**

#### **MESURES PRÉVENTIVES:**

- Utiliser un respirateur ou un masque chaque fois qu'il y a des risques d'inhalation de vapeurs. Lire attentivement toutes les instructions se rapportant au masque pour vérifier que celui-ci vous assure une protection suffisante contre les vapeurs toxiques.
- Porter des lunettes de protection.
- Porter des vêtements de protection, conformément aux directives du fabricant de revêtement.

**DANGER: GÉNÉRALITÉS - Peut causer des dommages matériels ou corporels sérieux.**

#### **MESURES PRÉVENTIVES:**

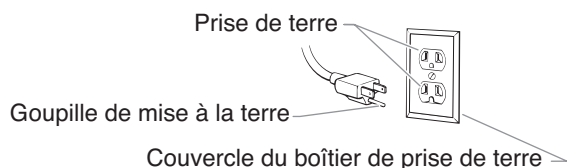
- Avant d'utiliser tout équipement, lire attentivement toutes les instructions et les consignes de sécurité
- Toujours débrancher le moteur de l'alimentation électrique avant d'effectuer des travaux sur l'appareil.
- Se conformer à la législation locale, provinciale ou fédérale pour tout ce qui concerne la ventilation, la prévention des incendies et les conditions générales d'utilisation.
- Les normes de sécurité du Gouvernement américain sont régies par le Occupational Safety and Health Act (OSHA). Il est important de consulter ces normes, en particulier la section 1910 sur les normes générales et la section 1926 sur les des normes de la construction.
- N'utiliser que les pièces autorisées par le fabricant. L'utilisateur assume tous les risques et responsabilités lorsqu'il utilise des pièces qui ne sont pas conformes aux caractéristiques techniques minimales ainsi qu'aux dispositifs de sécurité du fabricant de la pompe.
- Vérifier, avant toute utilisation, que les flexibles ne présentent pas d'entaille ou de fuite, que le couvercle ne soit pas gonflé et que les raccords ne soient pas endommagés. Si le flexible a subi l'un des dommages précités, remplacez-le immédiatement. Ne jamais réparer un flexible d'alimentation en peinture. Le remplacer par un autre flexible mis à la terre.
- Tout flexible, raccord orientable, pistolet et accessoire utilisé avec cet appareil doit pouvoir fonctionner à une pression égale ou supérieure à 3000 lb/po2 / 207BAR.
- Ne jamais pulvériser lorsqu'il vente.
- Porter des vêtements pour protéger la peau et les cheveux contre tout contact avec la peinture.

## Instructions de mise à la terre

Cet appareil doit être mis à la terre. La mise à la terre réduit les risques d'électrocution lors d'un court-circuit en permettant au courant de s'écouler par le fil de mise à la terre. Cet appareil est muni d'un cordon électrique avec fil de mise à la terre ainsi que d'une fiche de terre. La fiche doit être branchée sur une prise installée correctement et mise à la terre conformément à la réglementation et aux codes en vigueur.

**DANGER** — Une prise de terre mal branchée peut être à l'origine d'électrocutions. S'il s'avère nécessaire de réparer ou de remplacer le cordon électrique ou la fiche, ne pas brancher le fil vert de mise à la terre sur l'une ou l'autre des bornes à broche plate. Le fil recouvert d'un isolant vert avec ou sans rayures jaunes est le fil de mise à la terre et doit être branché sur la broche de mise à la terre.

Si vous ne comprenez pas les instructions de mise à la terre ou si vous n'êtes pas sûr que l'appareil est correctement mis à la terre, contactez un électricien agréé. Ne pas modifier la fiche d'origine. Si la prise ne convient pas à la fiche, faites installer la prise adéquate par un électricien agréé.



**ATTENTION**

Utiliser uniquement une rallonge à trois fils munie d'une fiche de terre dans une prise secteur mise à la terre correspondant au type de fiche de l'appareil. S'assurer que votre rallonge est en bon état. Lorsque vous utilisez une rallonge, assurez-vous qu'elle soit d'un calibre suffisant pour supporter l'intensité du courant requise par l'appareil. Une rallonge trop mince entraîne une chute de tension, une diminution de l'intensité et une surchauffe. Une rallonge de calibre 12 est recommandée. Si vous devez utiliser une rallonge à l'extérieur, celle-ci doit comprendre la marque W-A après la désignation indiquant le type de cordon. Par exemple, la désignation SJTW-A indique que le cordon est conçu pour être utilisé à l'extérieur.

## Mode d'emploi

### Vidange et amorçage

**ATTENTION**

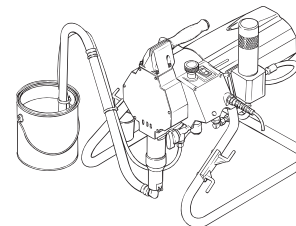
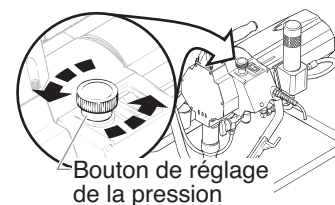
**Toujours garder le pistolet en position FERMÉE (OFF) lors de la vidange de l'appareil.**

Un appareil neuf est rempli d'un liquide d'essai afin d'empêcher toute corrosion pendant le transport et l'entreposage. Si vous utilisez ce pistolet avec de la peinture au latex, il est important de complètement drainer ce fluide du système. Si vous devez utiliser une peinture à base de solvant, un nettoyage complet n'est pas nécessaire.

Si cet appareil a déjà été utilisé, vous devez vidanger l'eau ou le solvant utilisé pour le nettoyage.

### Vidange et amorçage de la pompe pour utilisation avec de la peinture au latex

1. Placez l'extrémité du flexible de retour dans un récipient de récupération.
2. Plongez le flexible de succion dans un seau d'eau savonneuse.
3. Tournez le bouton de réglage de la pression à fond dans le sens contraire des aiguilles d'une montre afin de réduire la pression au minimum.
4. Placez le bouton AMORÇAGE/ PULVÉRISATION dans la position AMORÇAGE.
5. Placez le commutateur MARCHE/ARRÊT sur MARCHE.
6. Tournez doucement le bouton de réglage de la pression dans le sens des aiguilles d'une montre afin d'augmenter la pression jusqu'à ce que le liquide commence à sortir par le flexible de retour. N'utilisez que la pression minimale nécessaire à ce que le liquide s'écoule.
7. Lorsque le liquide d'essai a été vidangé et que l'eau savonneuse s'écoule par le flexible de retour, tournez le bouton de commande de la pression dans le sens contraire des aiguilles d'une montre jusqu'à la position minimale.
8. Retirez le flexible de succion du seau d'eau savonneuse et plongez-le dans un seau d'eau claire.
9. Augmentez la pression jusqu'à ce que l'eau claire commence à sortir du flexible de retour.
10. Tournez le bouton de réglage de la pression à fond dans le sens contraire des aiguilles d'une montre jusqu'à la position minimale.
11. Retirez le flexible de succion du seau d'eau claire et plongez-le dans le pot de peinture au latex.
12. Augmentez progressivement la pression jusqu'à ce que la peinture sorte par le flexible de retour.
13. Retirez le flexible de retour du récipient de récupération et placez-le dans sa position de fonctionnement au-dessus du pot de peinture au latex.
14. Continuez de faire circuler la peinture dans l'appareil jusqu'à ce que la peinture sortant du flexible de retour ne contienne plus de bulles.
15. Tournez le bouton de réglage de la pression à fond dans le sens contraire des aiguilles d'une montre jusqu'à la position minimale.

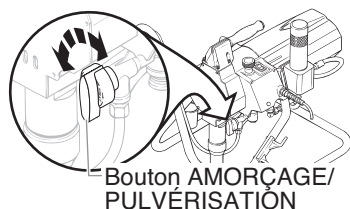


La pompe est maintenant vidangée. Passez maintenant à la section **Vidange et amorçage du flexible de pulvérisation.**

## Vidange et amorçage pour peinture à base de solvant

Un nettoyage complet n'est pas nécessaire pour l'utilisation de peinture à base de solvant. Seule la purge du fluide d'essai de l'appareil est nécessaire.

1. Placez l'extrémité du flexible de retour dans un récipient récupération.
2. Placez le flexible de succion dans un pot de peinture.
3. Tournez le bouton de réglage de la pression à fond dans le sens contraire des aiguilles d'une montre afin de réduire la pression au minimum.
4. Placez le bouton AMORÇAGE/PULVÉRISATION sur AMORÇAGE.
5. Placez le commutateur MARCHE/ARRÊT sur MARCHE.
6. Tournez doucement le bouton de réglage de la pression dans le sens des aiguilles d'une montre afin d'augmenter la pression jusqu'à ce que le liquide commence à sortir par le flexible de retour. N'utilisez que la pression minimale nécessaire à ce que le liquide s'écoule.
7. Lorsque le liquide d'essai a été vidangé et que la peinture s'écoule par le flexible de retour, tournez le bouton de commande de la pression à fond dans le sens contraire des aiguilles d'une montre jusqu'à la position minimale.
8. Retirez le flexible de retour du récipient de récupération et placez-le dans sa position de fonctionnement au-dessus du pot de peinture à base de solvant.
9. Continuez de faire circuler la peinture dans l'appareil jusqu'à ce que la peinture sortant par le flexible de retour ne contienne plus de bulles.
10. Tournez le bouton de réglage de la pression à fond dans le sens contraire des aiguilles d'une montre jusqu'à la position minimale.



La pompe est maintenant vidangée. Passez maintenant à la section **Vidange et amorçage du flexible de pulvérisation**.

## Vidange et amorçage du flexible de pulvérisation

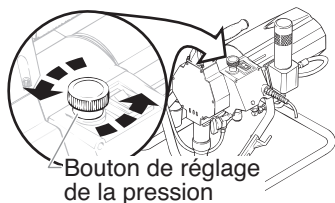
Une fois la pompe vidangée et amorcée, il faut effectuer la même procédure pour le flexible de pulvérisation.

**NOTA : S'assurer qu'aucune tête de pulvérisation n'est installée sur le pistolet.**

### ⚠ AVERTISSEMENT

**Si vous utilisez un récipient métallique, maintenez le pistolet contre la paroi du récipient pour créer une mise à la terre durant la purge. Si vous ne faites pas cela, vous risquez que se produisent des décharges d'électricité statique qui pourraient entraîner un incendie.**

1. Tournez le bouton de réglage de la pression à fond dans le sens contraire des aiguilles d'une montre jusqu'à la position minimale.
2. Placez le bouton AMORÇAGE/PULVÉRISATION sur PULVÉRISATION.
3. Déverrouillez le pistolet.
4. Tournez doucement le bouton de réglage de la pression dans le sens des aiguilles d'une montre afin d'augmenter la pression.



5. Appuyer sur la gâchette du pistolet, celui-ci étant dirigé sur un récipient de récupération, jusqu'à ce l'air, l'eau ou le solvant soit purgé du flexible de pulvérisation et que la peinture s'écoule librement.
6. Tournez le bouton de réglage de la pression à fond dans le sens contraire des aiguilles d'une montre jusqu'à la position minimale.
7. Placez le bouton AMORÇAGE/PULVÉRISATION sur AMORÇAGE, dirigez le pistolet sur le récipient de récupération et appuyez sur la gâchette du pistolet afin de vous assurer que le flexible n'est plus sous pression.
8. Verrouillez le pistolet.

## Mode d'emploi du pistolet de pulvérisation

### ⚠ AVERTISSEMENT

**RISQUES DE PERFORATION. Ne jamais utiliser le pistolet sans protecteur de tête. Ne jamais utiliser le pistolet sans tête de pulvérisation que ce soit en position pulvérisation ou débouchage. Toujours mettre le cran de sûreté du pistolet avant d'enlever, de remplacer ou de nettoyer la tête.**

### ⚠ AVERTISSEMENT

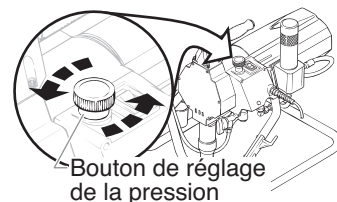
**Toujours verrouiller le pistolet lorsqu'il ne sert pas.**

## Procédure de décompression

### ⚠ AVERTISSEMENT

**Assurez-vous de bien suivre la procédure de décompression lorsque vous fermez l'appareil pour quelque raison que ce soit : entretien, réglage d'une pièce du système de pulvérisation, remplacement ou nettoyage des têtes de pulvérisation, préparation de l'appareil pour son nettoyage ou autre.**

1. Verrouillez le pistolet en plaçant le loquet dans la position de verrouillage.
2. Coupez le moteur.
3. Tournez le bouton de réglage de la pression à fond dans le sens contraire des aiguilles d'une montre jusqu'à la position minimale.
4. Placez le bouton AMORÇAGE/PULVÉRISATION en position AMORÇAGE.
5. Déverrouillez le pistolet en plaçant le loquet dans la position de déverrouillage.
6. Appuyez fermement la partie métallique du pistolet contre la paroi d'un récipient métallique afin de mettre le pistolet à la terre et d'éviter l'accumulation d'électricité statique.
7. Appuyez sur la gâchette afin de libérer toute pression qui pourrait rester dans le flexible.
8. Verrouillez le pistolet en plaçant le loquet dans la position de verrouillage.



### ⚠ AVERTISSEMENT

**RISQUES DE PERFORATION. Ne jamais utiliser le pistolet sans protecteur de tête. Ne jamais utiliser le pistolet sans tête de pulvérisation que ce soit en position pulvérisation ou débouchage. Toujours mettre le cran de sûreté du pistolet avant d'enlever, de remplacer ou de nettoyer la tête.**

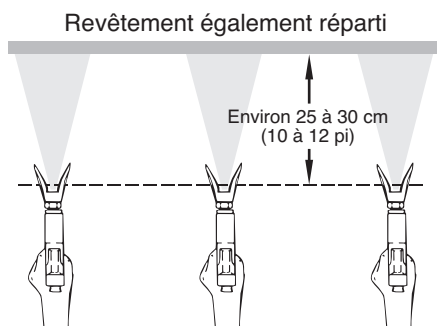


# Pulvérisation

**NOTA :** Lorsque vous pulvérisez du hourdis, du mastic ou une peinture à haut extrait sec, n'utilisez pas le filtre du pistolet ou le filtre tamis de haute pression.

## Technique de pulvérisation

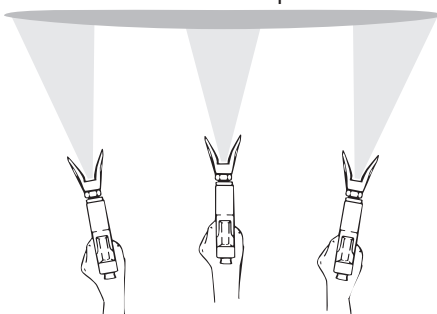
Pour obtenir une peinture d'un fini impeccable il est essentiel que le produit soit également réparti sur toute la surface. Il faut pour cela que vous appliquiez la peinture de façon régulière en déplaçant votre bras à vitesse constante et en gardant le pistolet à une distance constante de la surface. La meilleure distance de pulvérisation est de 25 à 30 cm (10 à 12 po) entre le pistolet et la surface traitée.



Déplacez votre bras d'un mouvement régulier et à vitesse constante.

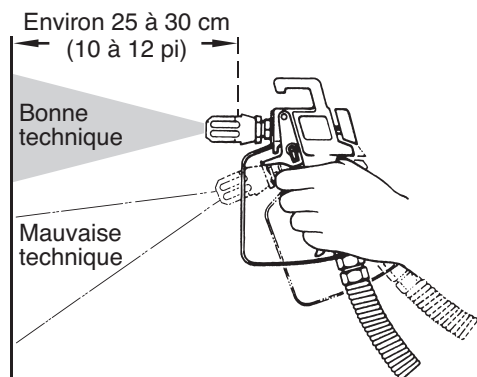
Gardez le pistolet perpendiculaire à la surface traitée. Il vous faut pour cela déplacer tout votre bras de haut en bas et non pas seulement fléchir votre poignet.

Revêtement fin    Revêtement épais    Revêtement fin



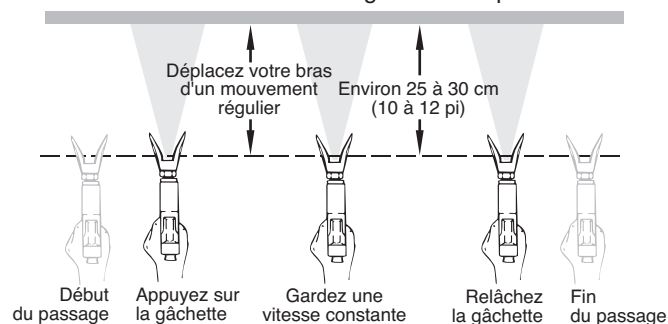
Ne pas fléchir le poignet durant la pulvérisation.

Veillez à garder le pistolet perpendiculaire à la surface traitée afin d'éviter qu'une extrémité de chaque passage soit plus épaisse que l'autre.



Appuyez sur la gâchette au début et à la fin de chaque passage. Vous éviterez ainsi de gaspiller de la peinture ou d'avoir une accumulation de peinture à l'extrémité du passage. Ne jouez pas avec la gâchette durant le passage afin d'éviter un fini irrégulier ou des éclaboussures.

## Comment bien utiliser la gâchette du pistolet



Chevauchez chaque passage d'environ 30% afin d'obtenir un fini régulier.

Lorsque vous vous arrêtez, verrouillez le loquet de sécurité du pistolet, tournez le bouton de commande de la pression à fond dans le sens contraire des aiguilles d'une montre jusqu'à la position minimale et placez le bouton AMORÇAGE/PULVÉRISATION en position AMORÇAGE. Placez le commutateur du moteur en position ARRÊT (OFF) et débranchez le pulvérisateur.

## Utilisation

1. Vérifiez que le flexible d'alimentation en peinture ne soit pas plié ou proche d'objets tranchants.
2. Tournez le bouton de commande de la pression à fond dans le sens contraire des aiguilles d'une montre jusqu'à la position minimale.
3. Placez le bouton AMORÇAGE/PULVÉRISATION en position PULVÉRISATION.
4. Tournez le bouton de réglage de la pression à fond dans le sens des aiguilles d'une montre jusqu'à la position maximale. Le flexible d'alimentation en peinture doit se raidir lorsque la peinture commence à y circuler.
5. Déverrouillez le loquet de sécurité du pistolet.
6. Appuyez sur la gâchette afin de purger l'air emprisonné dans le flexible.
7. Lorsque la peinture a atteint la tête de pulvérisation, faites un essai de pulvérisation afin de vérifier la bonne répartition du produit.
8. Utilisez la pression la plus basse possible pour l'obtention d'une bonne répartition. Si la pression est trop élevée, la couche de produit sera trop fine. Si la pression est trop faible, la pulvérisation risque d'être irrégulière et des traînées ou éclaboussures risquent d'apparaître.



## Nettoyage

### ⚠ AVERTISSEMENT

**Instructions de nettoyage spéciales si des solvants inflammables sont utilisés :**

- Toujours rincer le pistolet pulvérisateur préférablement dehors et au moins une longueur de tubulure partir de la pompe de pulvérisation.
- Si l'on prévoit récolter les solvants issus du rinçage dans un récipient en métal de 4 litres (1 gallon US), placer ce dernier dans un récipient vide de 20 litres (5 gallons US) avant d'effectuer le rinçage des solvants.
- Il ne doit y avoir aucune vapeur de produits inflammables proximité.
- Suivre toutes les instructions de nettoyage.



## ATTENTION

La pompe, le flexible et le pistolet doivent être quotidiennement nettoyés avec soin après chaque utilisation. Faute de quoi, le produit risque de sécher et de diminuer grandement le rendement de l'appareil.

## AVERTISSEMENT

**TOUJOURS pulvériser à la pression minimale et en ayant eu soin de retirer la tête de pulvérisation lorsque vous utilisez de l'essence minérale ou tout autre solvant pour nettoyer la pompe, le flexible ou le pistolet. Ceci afin d'éviter une accumulation d'électricité statique qui risquerait de déclencher un incendie ou une explosion en présence de vapeurs inflammables.**

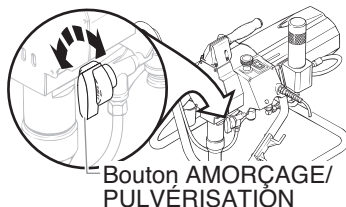
## Purge de l'appareil

Purgez quotidiennement l'appareil après utilisation avec le solvant approprié au produit utilisé. L'appareil doit être rincé avec de l'essence minérale avec un point d'inflammation au moins égale à 60°C.

Pour un remisage à long terme, purgez l'appareil avec une huile appropriée avant de le remiser.

1. Suivez la procédure de décompression décrite précédemment dans ce manuel.

2. Placez le bouton AMORÇAGE/PULVÉRISATION en position PULVÉRISATION afin de purger toute pression restant dans la pompe.



3. Retirez la tête de pulvérisation et nettoyez-la avec le solvant approprié au produit que vous venez de pulvériser.
4. Retirez le pot de produit et remplacez-le par un pot de solvant approprié au produit que vous venez de pulvériser.
5. Vérifiez que le bouton de réglage de la pression est bien tourné à fond dans le sens contraire des aiguilles d'une montre jusqu'à sa position minimale.
6. Placez le commutateur du moteur en position MARCHÉ (ON).
7. Appuyez sur la gâchette du pistolet de pulvérisation en direction d'un récipient de récupération jusqu'à ce que le solvant sorte du pistolet et que celui-ci ainsi que la pompe et le flexible soient propres.
8. Suivez la procédure de décompression décrite précédemment dans ce manuel.
9. Assurez-vous que le commutateur du moteur soit bien en position ARRÊT (off).
10. Placez le bouton AMORÇAGE/PULVÉRISATION en position PULVÉRISATION afin de purger tout solvant restant dans la pompe.
11. Débranchez l'appareil et remisez-le dans un endroit propre et sec.

## Entretien

### Entretien quotidien

Effectuer les opérations suivantes chaque jour.

### Remplissage du Collecteur d'Huile

Avant de commencer à vaporiser chaque jour, verser dans le collecteur d'huile du couvercle avant du logement de la pompe environ une petite cuillère d'huile de séparation.

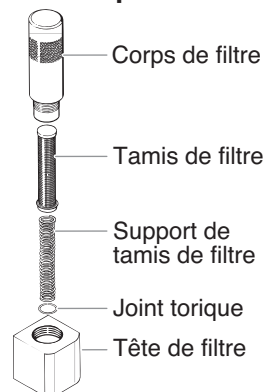
**NOTA : Ne pas appliquer trop d'huile, l'excédent pouvant se déverser dans la peinture.**

Ce lubrifiant maintient la souplesse des joints de piston, ce qui minimise les fuites de peinture et l'usure du piston. Lorsque l'appareil fonctionne plusieurs heures par jour, lubrifier environ toutes les 4 heures.

## Nettoyage de la grille du filtre haute pression

Le filtre haute pression s'encrasse et doit être nettoyé au moins une fois par jour.

1. Tourner le corps du filtre en sens antihoraire pour le retirer de la tête de filtre.
2. Retirer le tamis de filtre et le laver à fond à l'aide du solvant qui convient. Au besoin, nettoyer le tamis de filtre à l'aide d'une brosse à soies de fibres.



## ATTENTION

Ne pas se servir d'une brosse métallique. Cela pourrait endommager le tamis de filtre.

**NOTA : Pour l'application de bouche-pores, de mastics ou d'autres matériaux semblables, ne pas utiliser le filtre.**

## Nettoyage du tamis d'alimentation

1. Retirez le tamis d'alimentation et nettoyez-le avec le solvant approprié au produit utilisé.



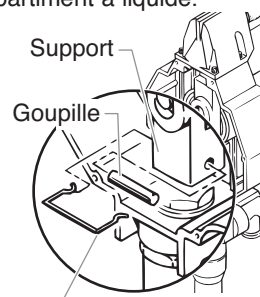
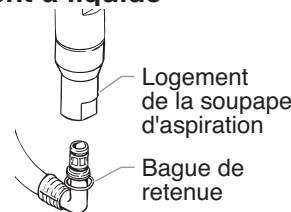
## Entretien du compartiment à liquide

L'entretien du compartiment à liquide consiste à remplacer les joints à bord en T, le piston et les éléments des valves qui présentent des signes d'usure.

**NOTA : Si certains éléments sont difficiles à démonter, plongez-les dans le solvant approprié jusqu'à ce que la peinture se ramollisse.**

## Démontage du compartiment à liquide

1. Utilisant un tournevis plat de lame, retirez le bague de retenue du fond du logement de la soupape d'aspiration et retirez le dispositif de succion.
2. Dévissez le flexible d'alimentation en liquide du compartiment à liquide.
3. Desserrez et écarter le raccord de canalisation de retour du compartiment à liquide.
4. Dévissez les 6 vis fixant le couvercle sur le compartiment de la pompe et retirez le couvercle.
5. Retirez en tirant la pince de rétention du support et de la goupille.
6. Appuyez sur la goupille pour la faire sortir du piston et du support. Utilisez, si nécessaire, l'extrémité étroite d'une clé hexagonale.
7. Desserrez l'écrou de blocage se trouvant au sommet du compartiment à liquide.
8. Dévissez le compartiment à liquide de la pompe.



## Entretien des joints à bord en T

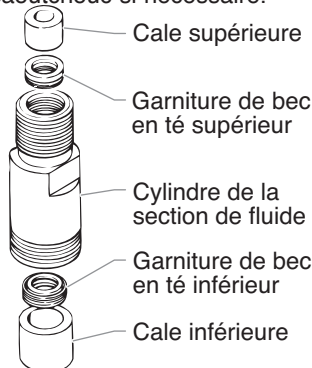
### Démontage des joints à bord en T

1. Placez les pans de manoeuvre du boîtier de la valve d'admission dans un étau et dévissez le compartiment à liquide du boîtier de la valve d'admission.

2. Dévissez l'écrou de serrage du compartiment à liquide.

**NOTA : Évitez, lorsque vous retirez le piston, de le laisser tomber car vous pourriez l'endommager.**

3. Extrayez le piston en le poussant à travers la partie inférieure du compartiment à liquide. Tapotez sur le piston avec un marteau de caoutchouc si nécessaire.
4. Retirez les séparateurs inférieurs et supérieurs du compartiment à liquide.
5. Poussez les joints à bord en T hors du compartiment à liquide avec un tournevis. Pour pousser le joint supérieur, insérez le tournevis dans l'extrémité inférieure du compartiment à liquide. Pour pousser le joint inférieur, insérez le tournevis dans l'extrémité supérieure du compartiment à liquide.



**NOTA : Lorsque vous retirez les joints à bord en T, veillez à ne pas rayer ou enfoncer la surface interne du compartiment à liquide avec le tournevis.**

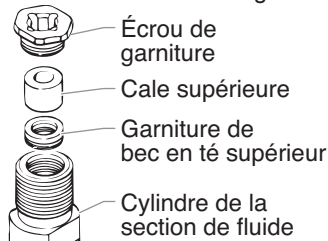
### Remplacement des joints à bord en T

**NOTA: Pour une longévité maximale du joint à lèvres en T inférieur, utiliser un outil guide joint (voir la liste de pièces de la section fluides pour la référence de la pièce) pour introduire dans le cylindre le joint à lèvres en T inférieur. En l'absence d'un outil guide joint suivre les étapes 1 – 2 de la procédure suivante.**

1. Appliquez un mince film d'huile domestique sur le nouveau joint à bord en T inférieur et insérez-le verticalement dans l'extrémité inférieure du compartiment à liquide.
2. Faites pivoter le joint à bord en T dans le cylindre du compartiment à liquide de façon à ce que les ressorts du joint à bord en T apparaissent dans le cylindre. Pour cela, maintenez en place le rebord inférieur du joint à bord en T tout en appuyant sur le bord supérieur afin de le faire pénétrer plus profondément dans le cylindre.
3. Poussez le joint à bord en T inférieur aussi loin que vous le pouvez dans le compartiment à liquide.
4. Insérez le séparateur inférieur dans le compartiment à liquide.
5. Appliquez un mince film d'huile domestique sur le nouveau joint à bord en T supérieur et insérez-le verticalement dans l'extrémité supérieure du compartiment à liquide. Placez le joint à bord en T dans le cylindre du compartiment à liquide de façon à ce qu'il soit aligné et que les ressorts du joint à bord en T apparaissent dans le cylindre.
6. Vissez l'écrou de serrage dans le compartiment à liquide afin de pousser le joint à bord en T supérieur aussi loin que vous le pouvez dans le cylindre puis retirez l'écrou de serrage.



7. Insérez le séparateur supérieur dans le compartiment à liquide.
8. Poussez le séparateur supérieur aussi loin que vous le pouvez dans le compartiment à liquide.
9. Vissez l'écrou de serrage dans le compartiment à liquide.

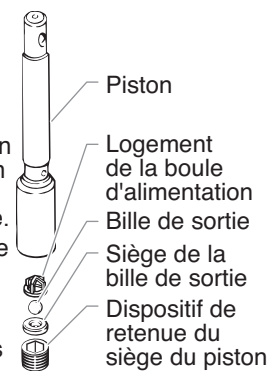


### Entretien des valves

#### Remplacement du piston et des éléments usés de la valve d'alimentation

1. Retournez le piston à l'envers et utilisez une clé hexagonale afin de retirer la fixation de la cale du piston de l'extrémité inférieure du piston.

2. Couvrez l'extrémité ouverte du piston et retournez-le à l'endroit afin de retirer la cale de la boule d'alimentation ainsi que la boule d'alimentation.
3. Insérez un nouveau logement de boule dans le nouveau piston. L'extrémité ouverte du logement de boule doit faire face à l'extrémité ouverte du piston. Utilisez, si nécessaire, la tête d'un long clou ou d'une longue vis afin d'enfoncer le logement de boule dans le piston au-delà du filetage.
4. Insérez une nouvelle boule dans le logement de la boule d'admission.
5. Vérifiez si la cale de la boule d'alimentation présente des traces d'usure. Si les deux côtés de la cale sont usés, insérez une nouvelle cale sur la boule dans le piston. Si un seul des côtés de la cale est usé, insérez-la dans le piston en veillant que le côté usé ne soit pas dirigé vers la boule.
6. Appliquez sur le filetage de la fixation de la cale du piston un lubrifiant approprié.

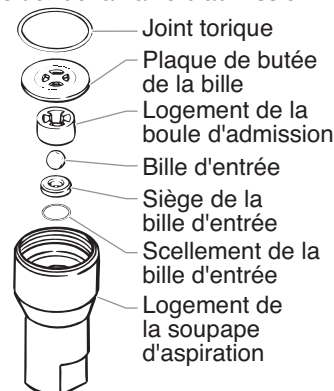


**NOTA : Ne mettez pas le piston dans un étau : vous risqueriez de l'endommager.**

7. Revissez la fixation de la cale du piston dans l'extrémité inférieure du piston et appliquez à la fixation un couple de torsion de 12 pi/lb.
8. Appliquez un mince film d'huile domestique sur le piston et insérez-le, tige la première, dans la partie inférieure du compartiment à liquide jusqu'à ce qu'il soit bien en place. Tapotez doucement le bas du piston avec un marteau de caoutchouc si nécessaire.

#### Remplacement des éléments usés de la valve d'admission

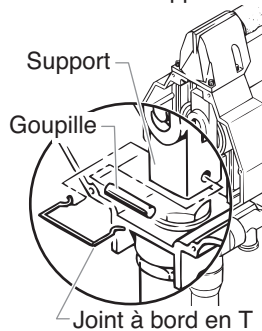
1. Retirez le joint torique du boîtier de la valve d'admission.
2. Couvrez le dessus du boîtier de la valve d'admission et retournez-le à l'envers pour retirer le disque d'arrêt de la boule d'admission, le logement de la boule d'admission, la boule d'admission, la cale de la boule d'admission et le joint de la boule d'admission.
3. Insérez un nouveau joint de boule d'admission dans le boîtier de la valve d'admission.
4. Vérifiez si la cale de la boule d'admission présente des traces d'usure. Si les deux côtés de la cale sont usés, insérez une nouvelle cale sur la boule dans le boîtier. Si un seul des côtés de la cale est usé, insérez-la dans le boîtier en veillant que le côté usé soit dirigé vers le bas.
5. Placez une nouvelle boule d'admission sur la cale de la boule d'admission dans le boîtier.
6. Placez le logement de la boule d'admission sur la boule d'admission.
7. Placez le disque d'arrêt de la boule d'admission sur le logement de la boule.
8. Insérez un nouveau joint torique dans le boîtier de la valve d'admission.
9. Placez les pans de manoeuvre du boîtier de la valve d'admission dans un étau et vissez le compartiment à liquide du boîtier de la valve d'admission en lui appliquant un couple de torsion de 85 à 95 pi/lb.



#### Remontage du compartiment à liquide

1. Vissez l'écrou de serrage sur le compartiment à liquide jusqu'à ce qu'il atteigne le bas du filetage.
2. Vissez le compartiment à liquide dans le compartiment de la pompe.

- Faites pivoter le compartiment à liquide de façon à ce que le trou de la tige du piston soit aligné avec ceux du support.
- Insérez la goupille dans le support et le piston.
- Enclenchez la pince de rétention autour de la goupille et du support.
- Vissez le compartiment à liquide dans le compartiment de la pompe aussi loin que vous le pouvez puis dévissez-le légèrement afin que le raccord du flexible d'alimentation en liquide soit aligné avec le flexible d'alimentation en liquide.
- Serrez à fond l'écrou de serrage au sommet du compartiment à fluide contre le compartiment de la pompe en utilisant une clé à molette.
- Remettez en position et serrez le raccord de canalisation de retour.
- Ajout d'huile dans les graisseurs à écrou de garniture.
- Remplacez le couvercle du compartiment de la pompe et vissez les 6 vis qui le maintiennent en place.
- Vissez le flexible d'alimentation en liquide sur le raccord du flexible d'alimentation en liquide sur le compartiment à liquide.
- Insérez la coude sur le dispositif de succion en le fond du logement de la soupape d'aspiration.
- Poussez la bague de retenue en l'intérieur de cannelure du logement de la soupape d'aspiration pour fixer le dispositif de succion dans la position.



## Nettoyage de la tête de pulvérisation

- Purgez le pistolet avec du solvant dès votre travail terminé.
- Huilez les goupilles cylindriques afin d'éviter qu'elles ne se grippent.

Si l'embout de pulvérisation est bouché, inverser la position du cône de pulvérisation au moyen du levier et tirer la détente. Une fois l'embout dégagé, relâcher la détente, remettre le cône à la position initiale et continuer à pulvériser.



## ⚠ AVERTISSEMENT

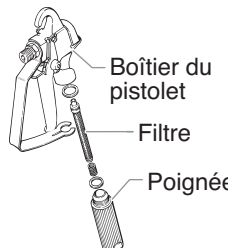
**Ne pas essayer de nettoyer la tête avec vos doigts. Ne pas utiliser aiguille ou tout autre objet pointu pour nettoyer la tête qui, faite de carbure de tungstène, est fragile et risque de s'effriter.**

## Nettoyage du filtre

Nettoyez le filtre avec une brosse trempée dans du solvant. N'utilisez jamais un instrument pointu pour nettoyer le filtre.

## Changement de filtre

- Tirez la protection de la gâchette vers l'avant afin de la détacher de la poignée.
- Dévissez la poignée du boîtier et retirez le filtre usagé.
- Faites glisser le nouveau filtre, bout pointu en premier, dans le boîtier du pistolet.
- Remplacez la poignée, la rondelle et le ressort. Revissez, en la serrant bien à la main, la poignée dans le boîtier. Remplacez la protection de la gâchette.

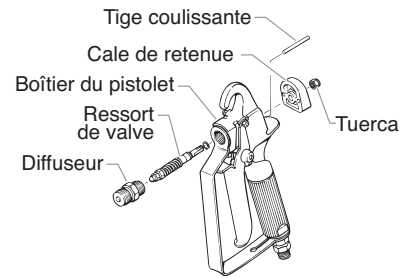


## Remplacement du ressort de valve

**NOTA : Remplacez le joint si le pistolet ne fonctionne plus. Remplacez les goupilles coulissantes si celles-ci sont usées.**

- Dévisser l'embout.
- Verrouiller le pistolet en position MARCHE et retirer le diffuseur au moyen d'une clé.

- Déverrouiller le pistolet.
- Dévisser l'écrou au moyen d'une clé et retirer le dispositif de retenue.
- Enlever les tiges coulissantes avec soin et les entreposer dans un endroit sûr afin d'éviter de les perdre.



- Ramener le ressort de soupape situé à l'arrière du dispositif de retenue vers l'avant au moyen d'un marteau en bois ou d'un outil semblable afin d'éviter d'endommager le ressort.

## Accessoires

N° de pièce	Description
0550xxx	Ensemble de tête XL-1
0297xxx	Ensemble de tête RC
0502xxx	Le noyau de remplacement, tête RC
0297078	Protecteur de tête (11/16")
0297070	Protecteur de tête (7/8")
0291004	Flexible, bout libre, 0,91 m (3 pi) x 0,48 cm (3/16 po)
0291003	Flexible, bout libre, 1,52 m (5 pi) x 0,48 cm (3/16 po)
0291002	Flexible, sans fil, 7,6 m (25 pi) x 0,64 cm (1/4 po)
0291000	Flexible, sans fil, 15,2 m (50 pi) x 0,64 cm (1/4 po)
0093896	Raccord de flexible, 0,64 cm (1/4 po) x 0,64 cm (1/4 po M)
0088154	Manomètre
0152001	Accessoire de pistolet, rouleau électrique
0152308	Manchon, 23 cm (9 po), 0,95 cm (3/8 po) Grain
0152307	Manchon, 23 cm (9 po), 1,27 cm (1/2 po) Grain
0152309	Manchon, 23 cm (9 po), 1,91 cm (3/4 po) Grain
0152310	Manchon, 23 cm (9 po), 3,18 cm (1-1/4 po) Grain
0152235	Manchon, 30 cm (12 po), 1,27 cm (1/2 po) Grain
0152236	Manchon, 30 cm (12 po), 0,95 cm (3/8 po) Grain
0152237	Manchon, 30 cm (12 po), 1,91 cm (3/4 po) Grain
0152238	Manchon, 30 cm (12 po), 3,18 cm (1-1/4 po) Grain
0152700	Adaptateur, rallonge du rouleau électrique
0270145	Pistolet à dépression G-10 de type « à quatre doigts » (pas d'embout)
0093930	Antigrippant
0152909	Rouleau télescopique R-10, 23 cm (9 po), 0,95 cm (3/8 po) Grain
0152900	Rouleau télescopique R-10, 30 cm (12 po), 0,95 cm (3/8 po) Grain
0502007	G-10 Pistolet à dépression à quatre doigts avec embout réversible 517.
0502011	G-10 Pistolet à dépression à deux doigts (sans embout)
0502009	G-10 Pistolet à dépression à deux doigts avec embout réversible 517.
0270214	G-10 Pack de pulvérisation à quatre doigts avec boyau airless de 50" x 1/4" [1,27 m x 6 mm]
0502012	G-10 Pack de pulvérisation à deux doigts avec boyau airless de 50" x 1/4" [1,27 m x 6 mm]

## Choix du filtre approprié pour le pistolet de pulvérisation

Choisissez le filtre approprié en fonction du type de produit utilisé en vous reportant au tableau ci-dessous.

N° de pièce	Utilisation	Type de filtre	No de maille	Couleur du corps du filtre
0089960	Résine synthétique, émaux, vernis clair, teintures, azurs	Extra-fin	0,084 mm	rouge
0089959	Émaux de base, émaux primaires, bouche-pores, peintures à marquer, émaux texturés	Fin	0,140 mm	jaune
0089958	Émulsions, peintures au latex, peintures acryliques	Moyen	0,315 mm	blanc
0089957	Peintures garnissantes, grandes surfaces	Grossier	0,560 mm	vert



# En cas de problème

## Problème

L'appareil ne fonctionne pas.

## Cause

1. L'appareil n'est pas branché.
2. Disjoncteur déclenché.
3. Le réglage de pression est trop bas (le bouton de commande de la pression au réglage minimum n'envoie pas de puissance au vaporisateur).
4. Câblage défectueux ou débranché.
5. Température excessive du moteur.
6. Commutateur MARCHÉ/ARRÊT défectueux.

## Solution

1. Brancher l'appareil.
2. Réenclencher le disjoncteur.
3. Faire tourner le bouton de commande de la pression pour alimenter l'appareil et accroître la pression.
4. Vérifier ou le faire réparer dans un centre d'entretien agréé par SprayTECH.
5. Laisser le moteur refroidir.
6. Remplacer le commutateur MARCHÉ/ARRÊT.

L'appareil ne s'amorce pas.

1. La soupape d'AMORÇAGE/VAPORISATION est en position VAPORISATION.
2. Fuite d'air dans le flexible du siphon/d'aspiration.
3. Le filtre de la pompe et/ou le filtre d'entrée sont bouchés.
4. Le flexible de siphon/d'aspiration est bouché.

1. Faire tourner la soupape d'AMORÇAGE/VAPORISATION dans le sens des aiguilles d'une montre en position AMORÇAGE.
2. Vérifier le branchement du flexible du siphon/d'aspiration et serrer ou recoller le raccord avec du ruban en PTFE.
3. Démontez le filtre de la pompe et le nettoyer. Démontez le filtre d'entrée et le nettoyer.
4. Démontez le flexible du siphon/d'aspiration et le nettoyer.

La pression ne se fait pas dans l'appareil ou la pression n'est pas uniforme.

1. L'embout d'aspiration est usé.
2. L'embout d'aspiration est trop grand.
3. Le bouton de commande de la pression n'est pas correctement fixé.
4. Le filtre de la pompe, le filtre du pistolet ou le filtre d'entrée sont bouchés.
5. Du produit s'échappe du flexible de retour lorsque la soupape D'AMORÇAGE/VAPORISATION est en position VAPORISATION.
6. Fuite d'air dans le flexible du siphon/le flexible d'aspiration.
7. Il y a une fuite de liquide externe.
8. Il y a une fuite interne dans la section des liquides (les tampons graisseurs sont usés et/ou sales, les clapets sont usés).
9. Sièges de soupape usés.
10. Le moteur démarre mais ne tourne pas.

1. Remplacer l'embout d'aspiration selon les consignes qui accompagnent le pistolet de vaporisation.
2. Remplacer l'embout d'aspiration par un embout à moins large selon les consignes qui accompagnent le pistolet de vaporisation.
3. Tourner le bouton dans le sens des aiguilles d'une montre pour augmenter la pression.
4. Démontez le filtre de la pompe et le nettoyer. Retirez le filtre du pistolet et le nettoyer. Démontez le filtre d'entrée et le nettoyer.
5. Nettoyer ou remplacer la soupape d'AMORÇAGE/VAPORISATION.
6. Vérifier le branchement du flexible du siphon/d'aspiration et serrer ou recoller le raccord avec du ruban en PTFE.
7. Vérifier qu'il n'y a pas de fuites externes dans tous les raccords. Resserrer les raccords au besoin.
8. Nettoyer les soupapes et la section des liquides selon la procédure "Maintenance de la Section des Liquides" décrite au chapitre Maintenance de ce manuel.
9. Inverser ou remplacer les sièges de soupape selon la procédure "Maintenance de la Section des Liquides" décrite au chapitre Maintenance de ce manuel.
10. Faire réparer dans un centre d'entretien agréé par SprayTECH.

Fuite de liquide dans la partie supérieure de la section des liquides.

1. Les tampons graisseurs supérieurs sont usés.
2. La tige du piston est usée.

1. Regarnir selon la procédure "Maintenance de la Section des Liquides" décrite au chapitre Maintenance de ce manuel.
2. Remplacer la tige du piston selon la procédure "Maintenance de la Section des Liquides" décrite au chapitre Maintenance de ce manuel.

Trop grand afflux au pistolet vaporisateur.

1. Mauvais type de flexible de vaporisation sans air.
2. L'embout d'aspiration est usé ou trop grand.
3. Pression excessive.

1. Remplacer le flexible par un flexible de vaporisation de peinture sans air en tresse de textile de 1/4" et de 15m de longueur.
2. Remplacer l'embout d'aspiration selon les consignes qui accompagnent le pistolet de vaporisation.
3. Faire tourner le bouton de commande de la pression dans le sens inverse des aiguilles d'une montre pour réduire la pression d'évaporation.

Forme de vaporisation incorrecte.

1. L'embout d'aspiration est trop grand pour le produit utilisé.
2. Mauvais réglage de pression.
3. Sortie de liquide insuffisante.
4. Le produit vaporisé est trop visqueux.

1. Remplacer l'embout d'aspiration par un embout neuf ou plus petit selon les consignes qui accompagnent le pistolet de vaporisation.
2. Faire tourner le bouton de commande de la pression pour régler la pression sur une forme de vaporisation plus adaptée.
3. Nettoyer toutes les crépines et tous les filtres.
4. Ajouter du solvant au produit selon les recommandations du fabricant.

L'outil n'est pas alimenté électriquement.

1. Le réglage de la pression est trop faible.
2. Mauvaise tension d'alimentation.

1. Faire tourner le bouton de commande de la pression dans le sens des aiguilles d'une montre pour augmenter la pression.
2. Rebrancher sur 120 V AC.



# Garantie limitée

## Équipement commercial de pulvérisation sans air

### Garantie de deux ans

SprayTECH, une division de Wagner Spray Tech Corporation ("SprayTECH") garantit ce produit contre les défauts de matière et de main-d'œuvre pour une période de deux ans suivant la date d'achat par le premier acheteur. Pendant cette période, SprayTECH s'engage à réparer ou à remplacer tout composant défectueux ou usé ou, selon décision de SprayTECH, à rembourser au premier acheteur le prix d'achat entier du produit en échange du retour de ce produit. Cependant, SprayTECH ne remplacera pas ni ne réparera tout composant de la pompe pour cause d'usure, plus de une fois pendant la période de garantie de deux ans. Cette garantie ne couvre pas les produits d'usure normale tels que les filtres et les buses.

### Garantie à vie pour les trains d'engrenage, les moteurs électriques et les moteurs à gaz.

SprayTECH garantit tout train d'engrenage, tout moteur électrique (à l'exclusion des balais) et tout moteur à gaz (à l'exclusion de l'embrayage) contenu dans ce produit **contre les défauts de matière et de main-d'œuvre pour toute la durée de vie de l'achat par l'acheteur original**. Au cas où SprayTECH constate que la garantie ci-dessus a été transgressée, SprayTECH s'engage à réparer ou à remplacer le composant défectueux sans frais ou, selon décision de SprayTECH, à rembourser au premier acheteur le prix d'achat entier du produit en échange du retour de ce produit.

### Réclamations sous garantie

Toute demande de réparation ou de remplacement en application des garanties ci-dessus doit être accompagnée du retour des pièces incriminées, avec frais de transport prépayés, à un centre de service agréé par SprayTECH ou à Wagner Spray Tech Corporation, 1770 Fernbrook Lane, Minneapolis, MN 55447.

### Limitation des recours

LES RECOURS INDIQUÉS CI-DESSUS SONT LES RECOURS EXCLUSIFS EN CAS D'INEXÉCUTION DES GARANTIES EXPRESSES ET IMPLICITES. Ces recours ne seront pas réputés comme ayant transgressé leur objet essentiel aussi longtemps que SprayTECH accepte de réparer ou de remplacer les pièces ou de rembourser le prix d'achat, tel qu'indiqué ci-dessus.

### Ce qui n'est pas couvert par cette garantie

Cette garantie ne couvre pas les défauts ou les dommages provoqués par :

- l'utilisation ou le montage de pièces réparées ou de pièces de remplacement ou d'accessoires non fabriqués par SprayTECH ;
- toute réparation non effectuée par un Centre de Service agréé par SprayTECH; ou
- tout abus, mauvaise utilisation, négligence, accident, montage défectueux ou tentative d'altération portant atteinte au fonctionnement normal.

De même, cette garantie ne couvre pas les équipements et les accessoires fournis à SprayTECH par un fabricant d'équipements originaux, y compris mais non limité aux flexibles, buses et accessoires. SprayTECH fournira à l'acheteur des copies des garanties expresses du fabricant d'équipements originaux remises à SprayTECH, ainsi que le nom et l'adresse du fabricant approprié.

### Limitation des recours

EN AUCUN CAS SPRAYTECH NE SERA TENU POUR RESPONSABLE DES DOMMAGES OU PERTES FORTUITS, PARTICULIERS OU CONSÉCUTIFS, Y COMPRIS LES FRAIS DE TRANSPORT, QUE DE TELS DOMMAGES SOIENT BASÉS SUR L'INEXÉCUTION DES GARANTIES EXPRESSES OU IMPLICITES, L'INEXÉCUTION DU CONTRAT, UNE NÉGLIGENCE, UNE RESPONSABILITÉ DÉLICTEUELLE STRICTE OU TOUT AUTRE PRINCIPE DE DROIT.

### Renonciation aux garanties implicites

LES GARANTIES CI-DESSUS REMPLACENT TOUTE AUTRE GARANTIE EXPRESSE OU IMPLICITE, Y COMPRIS MAIS NON LIMITÉ AUX GARANTIES IMPLICITES DE COMMERCIALITÉ ET DE CONFORMITÉ A UN USAGE PARTICULIER.

### Interdiction de transmission

Cette garantie est accordée uniquement à l'acheteur original et elle n'est pas transmissible.

#### Garantie de satisfaction 30 jours de SprayTECH

Si, au cours des 30 jours suivant l'achat, vous n'êtes pas totalement satisfait d'un appareil SprayTECH/CAPSpray, vous pouvez le renvoyer et obtenir un crédit complet contre un autre produit SprayTECH ou CAPSpray de valeur égale ou supérieure.

## Brevets

Ces produits sont protégés par un ou plusieurs des brevets (U.S.A.) suivants :

5,234,592	D344,832	5,318,314	5,252,210	5,228,842	5,192,425	5,099,183
5,346,037	5,494,199	5,472,318	5,435,697	5,211,611	5,671,656	D384,676
5,282,722	4,992,633	5,725,364	5,769,321	5,848,566	6,031,352	D376,637
D387,414	D382,938	D405,159	D412,965	5,505,381	5,765,753	5,887,793
5,893,522	5,947,381	5,749,528	5,660,332	5,425,506	4,768,929	4,611,758
4,508,268						

### SprayTECH®

1770 Fernbrook Lane  
Minneapolis, Minnesota 55447  
Telephone 1-800-292-4637

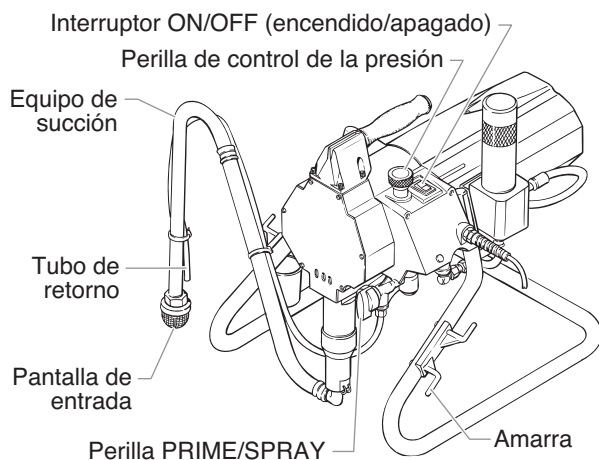
Des fiches techniques de sécurité des produits (FTSS) sont disponibles sur le site Internet de Titan ou par téléphone en vous adressant au Service Client.

# Índice

Descripción general.....	22
Seguridad.....	22
Instrucciones para conectar a tierra.....	24
Operación.....	24
Para purgar y cebar.....	24
Para hacer funcionar la pistola de atomización.....	25
Procedimiento para liberar la presión.....	25
Para atomizar.....	26
Técnica para atomizar.....	26
Práctica.....	26
Limpieza.....	26
Para enjuagar la unidad.....	27
Mantenimiento.....	27
Mantenimiento diario.....	27
Para dar mantenimiento a la sección de fluido.....	27
Para limpiar la boquilla de atomización.....	29
Para limpiar el filtro.....	29
Para reemplazar la unidad de resorte de la válvula.....	29
Accesorios.....	29
Para escoger el filtro de pistola de atomización correcto.....	29
Detección de problemas.....	30
Garantía Limitada.....	31
Lista de piezas.....	32
Conjunto del principal.....	32
Conjunto del Carro.....	33
Conjunto del impulsor.....	34
Conjunto del transductor.....	35
Conjunto del equipo de succión.....	35
Conjunto del control de la presión.....	36
Conjunto de la sección de fluido.....	37
Pistola de atomización.....	38
Conjunto de la válvula de Cebat/Atomizar.....	38
Conjunto del filtro.....	39
Conjunto del bajo carro.....	40
Conjunto del pata.....	40
Relé.....	40
Conjunto del control de la presión el diagrama de instalación alámbrica.....	41

## Descripción general

Esta bomba de pistón de alta calidad es una herramienta eléctrica de precisión que se usa para atomizar muchos tipos de material. Lea y siga con atención este manual de instrucción para conocer las instrucciones de operación y la información sobre mantenimiento y de seguridad apropiadas.



## Seguridad

Este manual contiene información que debe leer y comprender antes de usar el equipo. Cuando se encuentre con uno de los siguientes símbolos, asegúrese de observar sus indicaciones de seguridad.



Este símbolo indica la existencia de un peligro potencial que puede causar lesiones graves o la muerte. Después del mismo se incluye información de seguridad importante.



Este símbolo indica la existencia de un peligro potencial para usted o el equipo. Después del mismo se incluye información importante que indica la forma de evitar daños al equipo o la forma de prevenir lesiones menores.

**NOTA: los avisos contienen información importante, présteles especial atención.**



**PELIGRO: LESIÓN POR INYECCIÓN - La corriente de pintura de alta presión que produce este equipo puede perforar la piel y tejidos subyacentes, lo que conduciría a lesiones serias y una posible amputación. Consulte de inmediato a un médico.**

**NO TRATE LAS LESIONES POR INYECCIÓN COMO SI FUERAN SIMPLES CORTADAS! Una inyección puede conducir a una amputación. Consulte de inmediato a un médico.**

**El rango de operación máximo de la unidad es 3000 PSI / 207BAR de presión de fluidos.**

### PARA PREVENIR:

- NO dirija NUNCA la punta de la pistola hacia alguna parte del cuerpo.
- NO permita NUNCA que alguna parte del cuerpo tenga contacto con la corriente del fluido. EVITE tener contacto con corrientes de fluido que salgan de fugas que haya en la manguera.
- NO ponga NUNCA la mano enfrente de la manguera. Los guantes no ofrecen ninguna protección contra lesiones por inyección.
- Bloquee SIEMPRE el gatillo de la pistola, apague la bomba de fluido y libere toda la presión antes de dar mantenimiento, limpiar el protector de la boquilla, cambiar la boquilla o dejar desatendido el equipo. La presión no se liberará al apagar el motor. Para liberar la presión debe girarse la perilla PRIME/SPRAY (cebar/atomizar) hasta la posición PRIME. Consulte el PROCEDIMIENTO PARA LIBERAR LA PRESIÓN que se describe en este manual.
- Mantenga puesto SIEMPRE el protector de la boquilla mientras atomice. El protector de la boquilla ofrece cierta protección contra lesiones por inyección pero es principalmente un dispositivo de advertencia.
- Quite SIEMPRE la boquilla del atomizador antes de enjuagar o limpiar el sistema.
- Pueden desarrollarse fugas en la manguera de pintura por causa del desgaste, retorcimientos o el abuso. Una fuga es capaz de inyectar el material en la piel. Cada vez que use la manguera de pintura, inspecciónela antes.
- NO use nunca una pistola de atomización que no tenga un bloqueador o un protector de gatillo puesto y que funcione.
- Todos los accesorios deben tener una capacidad de 3000 lb/pulg<sup>2</sup> / 207BAR o mayor. Esto incluye las boquillas de atomizador, pistolas, extensiones y mangueras.

**NOTA PARA EL MÉDICO:** La inyección dentro de la piel es una lesión traumática. Es importante que la lesión se trate quirúrgicamente tan pronto como sea posible. **NO retrase el tratamiento por investigar la toxicidad. La toxicidad es motivo de preocupación con algunos revestimientos que se inyectan directamente en la corriente sanguínea. Es recomendable consultar a un cirujano plástico o reconstructor de manos.**

**PELIGRO: EXPLOSIÓN O INCENDIO - Los vapores de solventes y pintura pueden explotar o incendiarse, causando con esto lesiones severas y/o daños en la propiedad.**

**PARA PREVENIR:**

- Debe proveerse un escape y aire fresco para hacer que el aire que está dentro del área de atomización se mantenga libre de acumulaciones de vapores inflamables.
- Evite todas las fuentes de ignición como son las chispas electrostáticas, llamas abiertas, flamas de piloto, objetos calientes, cigarros, y chispas que se generan al conectar y desconectar las extensiones o de apagadores de luz que estén funcionando.
- No fume en la zona de trabajo.
- Debe haber un equipo para extinguir incendios permanentemente y en buenas condiciones.
- Coloque la bomba para pintar a un mínimo de 1 m (de preferencia más) en una habitación aparte, bien ventilada, alejada del objeto que va a pintar o a por lo menos 6 m de dicho objeto, en una zona bien ventilada (utilice una manguera más larga, si es necesario). Los gases inflamables a menudo son más pesados que el aire. La zona del piso debe tener la debida ventilación. La bomba para pintar contiene piezas que forman arcos que emiten chispas y pueden encender los gases.
- El equipo que se utilice, así como los objetos que estén dentro y alrededor del área de atomización, deben conectarse a tierra de manera apropiada para prevenir las descargas eléctricas y las chispas.
- Use solamente mangueras para fluidos de alta presión, conductoras o conectadas a tierra, para aplicaciones sin aire. Asegúrese de que la pistola esté conectada a tierra de manera apropiada, mediante conexiones de manguera.
- El cable de alimentación debe enchufarse a un circuito aterrado.
- Siempre enjuague la unidad en un recipiente de metal por separado, con presión baja en la bomba y sin la boquilla. Sostenga la pistola firmemente contra el recipiente para ponerlo a tierra y evitar chispas estáticas.
- Siga las advertencias y avisos de seguridad del fabricante de los materiales y solventes.
- Tenga muchísimo cuidado al usar materiales cuyo punto de ignición sea inferior a 70° F (21° C). El punto de ignición es la temperatura a la cual pueden encenderse los vapores emanados por un fluido al exponerlos a llamas o chispas.
- El plástico puede causar chispas estáticas. Nunca cuelgue plástico en las ventanas ni en las puertas del área donde va a pintar. No utilice plástico para proteger el piso cuando pinte materiales inflamables.
- Cuando enjuague el equipo utilice la presión más baja posible.

**MOTOR DE GAS (SEGÚN CORRESPONDA)**

Coloque siempre la bomba fuera del edificio, al aire libre. Mantenga todo solvente alejado del escape del motor. Nunca llene el tanque de combustible si el motor está encendido o caliente. La superficie caliente puede encender el combustible derramado. Conecte siempre un conductor de tierra desde la unidad de la bomba a un objeto puesto a tierra, por ejemplo una tubería de agua metálica. Consulte el manual del motor para obtener información completa de seguridad.

**PELIGRO: PELIGRO DE EXPLOSIÓN DEBIDO A MATERIALES INCOMPATIBLES - Podría causar lesiones severas o daños en la propiedad.**

**PARA PREVENIR:**

- No utilice materiales que contengan blanqueador o cloro.
- No use solventes con hidrocarburos halogenados, tales como productos para eliminar el moho, cloruro de metileno y 1,1,1 - tricloroetano. Estos no son compatibles con el aluminio.
- Comuníquese con el proveedor del producto para obtener información de compatibilidad con materiales de aluminio.

**PELIGRO: GASES PELIGROSOS - Las pinturas, solventes, insecticidas y otros materiales pueden ser perjudiciales si se inhalan o entran en contacto con el cuerpo. Los gases pueden causar náusea, desmayos o envenenamiento graves.**

**PARA PREVENIR:**

- Use una mascarilla respiratoria o careta siempre que exista la posibilidad de que se puedan inhalar vapores. Lea todas las instrucciones que vengan con la careta para estar seguro de que se tendrá la protección necesaria contra la inhalación de vapores dañinos.
- Use gafas protectoras.
- Use ropa de protección, según lo requiera el fabricante del producto.

**PELIGRO: GENERAL - Puede causar daños en la propiedad o lesiones severas.**

**PARA PREVENIR:**

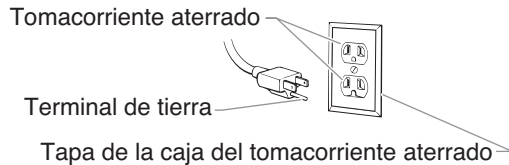
- Lea todas las instrucciones y advertencias de seguridad antes de hacer funcionar cualquier equipo.
- Desconecte siempre el motor del suministro eléctrico antes de dar servicio al equipo.
- Observe todos los códigos locales, estatales y nacionales apropiados que rigen las medidas de ventilación, prevención de incendios y operación.
- Los Estándares de Seguridad del Gobierno de los Estados Unidos se han adoptado bajo el Acta de Seguridad y Salud Ocupacionales (OSHA por sus siglas en inglés). Deben consultarse estos estándares, particularmente la parte 1910 de los Estándares Generales y la parte 1926 de los Estándares de la Construcción.
- Utilice únicamente piezas autorizadas por el fabricante. El usuario asume todos los riesgos y responsabilidades si usa piezas que no cumplen con las especificaciones mínimas y dispositivos de seguridad del fabricante de la bomba.
- Antes de usarla cada vez, revise todas las mangueras para ver que no tengan cortadas, fugas, una cubierta desgastada por abrasión o con abolladuras, así como uniones dañadas o que se hayan movido. Si existiera cualquiera de estas condiciones, reemplace la manguera inmediatamente. No repare nunca una manguera de pintura. Reemplácela con otra manguera conectada a tierra.
- Todas las mangueras, soportes giratorios, pistolas y accesorios que se usen con esta unidad deben tener una capacidad de presión de 3000 lb/pulg2 / 207 BAR o mayor.
- No atomice en días con viento.
- Use ropa que evite el contacto de la pintura con la piel y el cabello.

## Instrucciones para conectar a tierra

Este producto se debe conectar a tierra. En caso de que ocurra un corto circuito, la conexión a tierra reduce el riesgo de choque eléctrico al proporcionar un alambre de escape para la corriente eléctrica. Este producto está equipado con un cable que tiene un alambre de conexión a tierra con un enchufe de conexión a tierra apropiado. El enchufe se debe enchufar en una toma de corriente que se haya instalado y conectado a tierra debidamente, de acuerdo con todos los códigos y estatutos locales.

**PELIGRO** — Una instalación inapropiada del enchufe de conexión a tierra puede dar como resultado el que exista un riesgo de choque eléctrico. Si es necesario reparar o reemplazar el cable o el enchufe, no conecte el alambre de conexión a tierra a ninguno de los terminales de hoja planas. El alambre con aislamiento que tiene la superficie exterior de color verde con franjas amarillas o sin ellas es el alambre de conexión a tierra que debe conectarse al conector de conexión a tierra.

Verifique con un electricista o técnico de servicio calificado si las instrucciones para conectar a tierra no le han quedado completamente claras, o si duda que el producto haya quedado conectado a tierra de manera apropiada. No modifique el enchufe que se proporciona. Si el enchufe no entra en la toma de corriente, pídale a un electricista calificado que instale la toma apropiada.



## PRECAUCIÓN

Use solamente extensiones trifilares que tengan un enchufe de conexión a tierra de 3 hojas y un receptáculo de triple ranura que acepte el enchufe del producto. Asegúrese de que su extensión esté en buenas condiciones. Cuando use una extensión, asegúrese de usar una que sea lo suficientemente resistente como para soportar la corriente que descargue su producto. Un cable de un tamaño menor causará una caída de voltaje en la línea que dará como resultado una pérdida de energía y un sobrecalentamiento. Se recomienda usar un cable de calibre 12. Si se utiliza un cable de extensión en el exterior, tiene que estar marcado con el sufijo W-A después de la designación del tipo de cable. Por ejemplo, SJTW-A para indicar que el cable es apropiado para uso en exteriores.

## Operación

### Para purgar y cebar

## PRECAUCIÓN

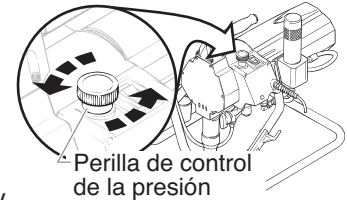
**Mantenga siempre la pistola de atomización bloqueada en la posición OFF (apagada) mientras se purga el sistema**

Si esta unidad es nueva, vendrá entonces empackada con fluido de prueba dentro de la sección de fluido con el fin de prevenir que se corra durante el envío y almacenamiento. Si va a atomizar usando pintura de látex, este fluido deberá extraerse por completo del sistema. Para atomizar usando una pintura a base de solvente, esta extracción a fondo del material no será necesaria.

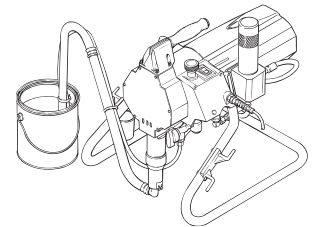
Si está ya funcionando, necesitará entonces purgarle el agua o solvente que se usó en la limpieza.

### Purgación y cebadura de la bomba para usar pintura de látex

1. Asegure la manguera de retorno dentro de un recipiente para desperdicios.
2. Ponga una cubeta de agua jabonosa debajo del tubo de succión.
3. Gire completamente la perilla de control de la presión en dirección opuesta a las manecillas del reloj para disminuir la presión hasta la posición más baja.
4. Fije la válvula prime/spray en la posición prime.
5. Gire el interruptor on/off (encendido/apagado) hasta la posición on (encendido).
6. Gire lentamente la perilla de control de la presión en dirección de las manecillas del reloj para aumentar la presión hasta que empiece a salir fluido de la manguera de retorno. Use sólo la presión que sea suficiente para que siga saliendo fluido.
7. Gire completamente la perilla de control de la presión en dirección opuesta a las manecillas del reloj hasta su posición más baja cuando se extraiga el fluido de prueba y el agua jabonosa esté saliendo de la manguera de retorno.
8. Quite la cubeta con agua jabonosa del tubo de succión y reemplácela con una cubeta de agua limpia.
9. Aumente la presión hasta la mínima necesaria para que siga fluyendo fluido hasta que salga agua limpia de la manguera de retorno.
10. Gire completamente la perilla de control de la presión en dirección opuesta a las manecillas del reloj hasta su posición más baja.



11. Quite la cubeta con agua que está debajo del tubo de succión y reemplácela con un recipiente de pintura de látex.
12. Aumente lentamente la presión hasta que salga pintura a través de la manguera de retorno.
13. Quite la manguera de retorno del recipiente de desperdicios y póngala en posición de operación sobre el recipiente de pintura de látex.
14. Mantenga la pintura circulando a través del sistema hasta que la pintura que salga de la manguera de retorno no tenga burbujas.
15. Gire completamente la perilla de control de la presión en dirección opuesta a las manecillas del reloj hasta su posición más baja.



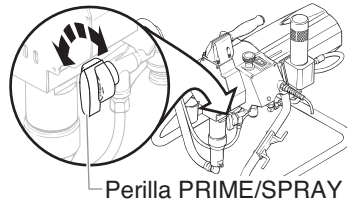
La bomba ha quedado purgada. Pase ahora a la sección **Para purgar y cebar la manguera del atomizador.**



## Purgación y cebadura para usar pintura a base de solvente

No será necesario limpiar perfectamente cuando se use pintura a base de solvente. Todo lo que necesita hacer es extraer el fluido de prueba del sistema.

1. Asegure la manguera de retorno dentro del recipiente de desperdicios.
2. Ponga un recipiente lleno de pintura debajo del tubo de succión.
3. Gire completamente la perilla de control de la presión en dirección opuesta a las manecillas del reloj para disminuir la presión hasta la posición más baja.
4. Fije la válvula prime/spray en la posición prime.
5. Gire el interruptor on/off hasta la posición on.
6. Gire lentamente la perilla de control de la presión en dirección de las manecillas del reloj para aumentar la presión hasta que el fluido empiece a salir de la manguera de retorno. Use sólo la presión que sea suficiente para que siga saliendo fluido.
7. Gire completamente la perilla de control de la presión en dirección opuesta a las manecillas del reloj hasta su posición más baja cuando se extraiga el fluido de prueba y esté saliendo pintura de la manguera de retorno.
8. Quite la manguera de retorno del recipiente de desperdicios y póngala en posición de operación sobre el recipiente de pintura de látex.
9. Mantenga la pintura circulando a través del sistema hasta que la pintura que salga de la manguera de retorno no tenga burbujas.
10. Gire completamente la perilla de control de la presión en dirección opuesta a las manecillas del reloj hasta su posición más baja.



La bomba ha quedado purgada. Pase ahora a la sección **Para purgar y cebar la manguera del atomizador.**

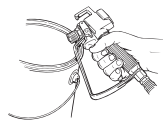
### Para purgar y cebar la manguera del atomizador

Después de que se purgue y cebe la bomba, deberá hacer lo mismo con la manguera del atomizador.

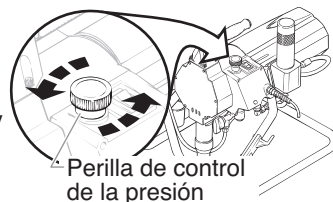
**NOTA: Cerciórese de que la pistola de atomización no tenga instalada una boquilla.**

## ⚠ ADVERTENCIA

**Si se usa un recipiente de metal, conecte a tierra la pistola sujetándola contra el borde del recipiente mientras la enjuaga. El no hacerlo puede conducir a que surja una descarga electrostática que podría causar un incendio.**



1. Gire completamente la perilla de control de la presión hasta su posición más baja.
2. Fije la válvula prime/spray (cebar/atomizar) hasta la posición spray (atomizar).
3. Desbloquee la pistola de atomización.
4. Gire lentamente la perilla de control de la presión en dirección de las manecillas del reloj para aumentar la presión.
5. Dispare la pistola dentro de un recipiente de desperdicios hasta que se haya extraído todo el aire, agua o solvente de la manguera del atomizador y la pintura fluya libremente.



6. Gire completamente la perilla de control de la presión en dirección opuesta a las manecillas del reloj hasta su posición más baja.
7. Fije la válvula prime/spray en la posición prime y dispare la pistola dentro del recipiente de desperdicios para asegurarse de que la manguera haya quedado libre de presión.
8. Bloquee la pistola de atomización.

## Para hacer funcionar la pistola de atomización

### ⚠ ADVERTENCIA

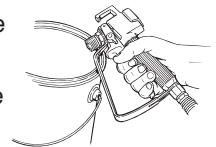
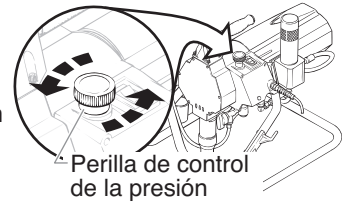
**PELIGRO DE INYECCIÓN PROBABLE. No atome sin que el protector de la boquilla esté puesto. No dispare nunca la pistola a menos que la boquilla esté en la posición de atomización o en la de desobstrucción. Trabe siempre el interruptor de seguridad de la pistola antes de que quite, reemplace o limpie la boquilla.**

## Procedimiento para liberar la presión

### ⚠ ADVERTENCIA

**Asegúrese de seguir el procedimiento para liberar la presión cuando apague la unidad por cualquier motivo; incluyendo cuando se de servicio o ajuste cualquier parte del sistema de atomización, se cambien o limpien las boquillas del atomizador o se prepare para la limpieza.**

1. Bloquee la pistola girando el interruptor de seguridad de la pistola hasta la posición de bloqueo.
2. Apague el motor.
3. Gire la perilla de control de la presión en dirección opuesta a las manecillas del reloj hasta su posición más baja.
4. Gire la perilla PRIME/SPRAY hasta la posición PRIME.
5. Desbloquee la pistola girando el interruptor de seguridad de la pistola hasta la posición de desbloqueo.
6. Sostenga firmemente unida la parte de metal de la pistola a la pared del recipiente de metal para conectar a tierra la pistola y evitar la formación de electricidad estática.
7. Dispare la pistola para extraer la presión que pudiera haber todavía en la manguera.
8. Bloquee la pistola girando el interruptor de seguridad de la pistola hasta la posición de bloqueo.



### ⚠ ADVERTENCIA

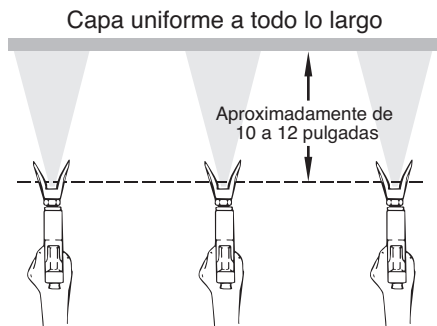
**PELIGRO DE INYECCIÓN PROBABLE. No atome sin que el protector de la boquilla esté puesto. No dispare nunca la pistola a menos que la boquilla esté en la posición de atomización o en la de desobstrucción. Trabe siempre el interruptor de seguridad de la pistola antes de que quite, reemplace o limpie la boquilla.**

## Para atomizar

**NOTA:** Cuando atomice relleno de bloque, mástiques o revestimientos con alto contenido de sólidos, no utilice el filtro de la pistola ni pantallas de filtro de alta presión.

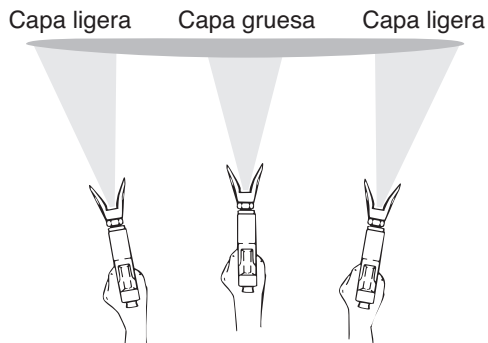
## Técnica para atomizar

La clave para lograr un buen trabajo de pintura consiste en aplicar un revestimiento uniforme a través de toda la superficie. Esto se logra empleando descargas uniformes. Mantenga el brazo moviéndose a una velocidad constante y la pistola de atomización a una distancia de la superficie también constante. La mejor distancia para atomizar es de 10 a 12 pulgadas, entre la boquilla del atomizador y la superficie.



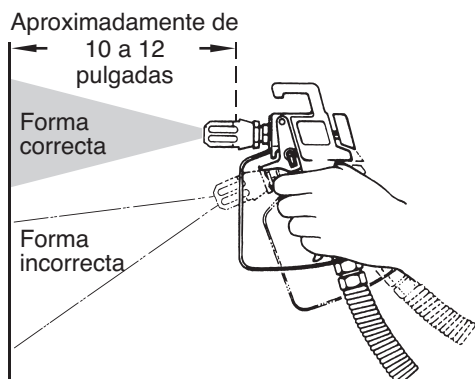
Mantenga una descarga que sea suave y a una velocidad uniforme.

Mantenga la pistola de atomización en ángulo recto con la superficie. Esto significa que debe mover todo el brazo de un lado para otro en lugar de flexionar sólo la muñeca.



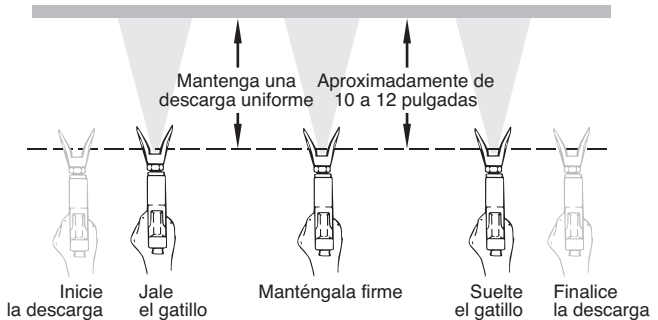
No flexione la muñeca mientras atomice.

Mantenga la pistola de atomización perpendicular a la superficie; de lo contrario un extremo del patrón quedará más grueso que el otro.



La pistola de atomización debe dispararse encendiéndola y apagándola cada vez que se haga una descarga. Con esto se ahorrará pintura y se evitará una acumulación de pintura al final de cada descarga. No dispare la pistola en medio de una descarga. Esto traería como consecuencia que la atomización no fuera uniforme y el recubrimiento tuviera salpicaduras.

## Forma apropiada de disparar la pistola de atomización

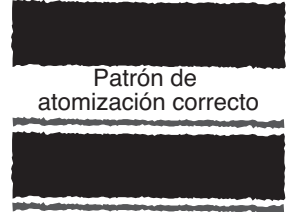


Al efectuar las descargas haga que las capas se traslapen aproximadamente un 30%. Con esto se asegurará un revestimiento uniforme.

Cuando deje de pintar, bloquee el interruptor de seguridad de la pistola, gire la perilla de control de la presión en dirección opuesta a las manecillas del reloj hasta su posición más baja y fije la válvula prime/spray en la posición PRIME. Gire el interruptor del motor hasta la posición OFF y desconecte el atomizador.

## Práctica

1. Asegúrese de que la manguera de pintura no esté retorcida ni cerca de objetos con orillas cortantes filosas.
2. Gire la perilla de control de la presión en dirección opuesta a las manecillas del reloj hasta su posición más baja.
3. Gire la válvula PRIME/SPRAY hasta la posición SPRAY.
4. Gire la perilla de control de la presión hasta su posición más alta. La manguera de pintura debe ponerse rígida en el momento en que la pintura empiece a fluir a través de ella.
5. Desbloquee el interruptor de seguridad de la pistola.
6. Dispare la pistola de atomización para extraer el aire de la manguera.
7. Cuando la pintura llegue a la boquilla del atomizador, atomice un área de prueba para comprobar el patrón de atomización.
8. Use la posición de presión más baja que sea necesaria para obtener un patrón de atomización correcto. Si se fija una presión demasiado alta, el patrón de atomización será muy ligero. Si se fija una presión demasiado baja, aparecerá un patrón de pintura que se desvanece gradualmente o la pintura salpicará como gotas grandes en lugar de salir como una atomización fina.



Patrón de desvanecimiento de pintura

## Limpieza

### ⚠ ADVERTENCIA

#### Instrucciones especiales de limpieza para usarse con solventes inflamables:

- Enjuague siempre la pistola atomizadora preferentemente afuera y por lo menos a un largo de manguera de distancia de la bomba atomizadora.
- Si está colectando solventes enjuagados en un recipiente metálico de 1 galón (3.875 lts), colóquelos en un recipiente vacío de 5 galones (19.375 lts), luego enjuague los solventes.
- El área debe estar libre de vapores inflamables.
- Siga todas las instrucciones de limpieza.

### ⚠ PRECAUCION

La bomba, manguera y pistola deberán limpiarse perfectamente todos los días después de usarse. El no hacerlo dará lugar a que el material se solidifique, afectando seriamente con esto el funcionamiento de la unidad.

## ⚠️ ADVERTENCIA

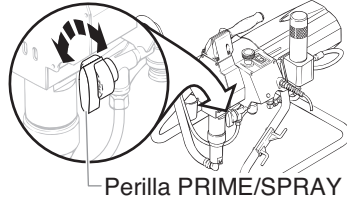
Atomice SIEMPRE a la presión mínima y sin que la boquilla de la pistola esté puesta cuando utilice solventes derivados del petróleo o cualquier otro solvente para limpiar la bomba, manguera o pistola. La electricidad estática acumulada podría ocasionar un incendio o una explosión al haber presentes vapores inflamables.

### Para enjuagar la unidad

Enjuague la unidad con el solvente que sea apropiado para el material que se esté utilizando, todos los días después de usarla. Se debe enjuagar nuevamente la unidad a continuación utilizando alcoholes minerales con un punto de inflamación de 140°F (60°C) o superior.

Cuando se almacene la unidad un largo plazo, enjuáguela con el lubricante apropiado antes de almacenarla.

1. Siga el procedimiento para liberar la presión que se encuentra anteriormente en este manual.
2. Gire la válvula prime/spray hasta la posición spray para extraer toda la presión que quede en la bomba.
3. Quite la boquilla de la pistola y límpiela con una solución que sea apropiada para el tipo de material que se esté atomizando.
4. Quite el recipiente del material y reemplácelo por un recipiente de solvente que sea apropiado para el tipo de material que se esté atomizando.
5. Revise la perilla de control de la presión para asegurarse de que se haya girado completamente en dirección opuesta a las manecillas del reloj hasta su posición más baja.
6. Gire el interruptor de la energía hasta la posición on.
7. Dispare la pistola de atomización dentro de un recipiente de desperdicios hasta que salga solvente y la bomba, manguera y pistola queden limpias.
8. Siga el procedimiento para liberar la presión que se encuentra anteriormente en este manual.
9. Cerciórese de que el interruptor de la energía se haya girado hasta la posición off.
10. Gire la válvula prime/spray hasta la posición spray para extraer todo el solvente que quede.
11. Desconecte la unidad y almacénela en un área limpia y seca.



## Mantenimiento

### Mantenimiento diario

Efectúe los siguientes pasos todos los días.

#### Llenado del recipiente de aceite

Antes de comenzar a rociar cada día, llene el recipiente de aceite situado en la cubierta frontal de la caja de la bomba con aproximadamente una cucharadita de aceite desligante.

**NOTA: No aplique demasiado aceite, ya que éste podría rebosar y gotear sobre la pintura.**

Este lubricante mantiene la elasticidad de los sellos del émbolo, minimizando fugas de pintura y desgaste del émbolo. Si utiliza la unidad durante varias horas todos los días, lubríquela aproximadamente cada 4 horas.

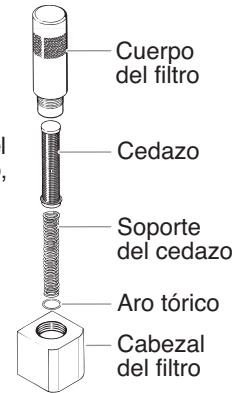
### Limpeza del cedazo de alta presión

El filtro de alta presión tiende a obstruirse y debe limpiarse al menos una vez por día.

1. Gire el cuerpo del filtro en sentido antihorario para retirarlo del cabezal.
2. Extraiga el cedazo y lávelo bien con el solvente adecuado. De ser necesario, restriegue el cedazo con un cepillo de cerdas de fibras.

## ⚠️ PRECAUCION

No use un cepillo de alambres ya que podría dañar el cedazo.



**NOTA: Extraiga el cedazo cuando use materiales para rellenar juntas, masillas u otros materiales similares.**

### Para limpiar la pantalla de la entrada

1. Quite la pantalla de la entrada y límpiela con un solvente que sea apropiado para el tipo de material que se esté usando.



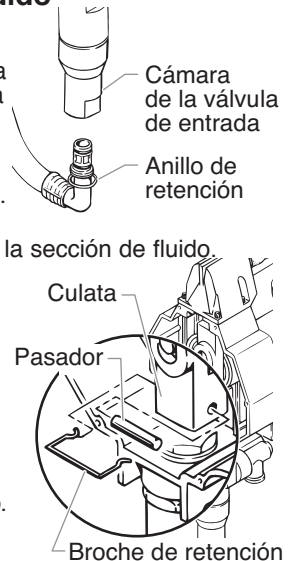
### Para dar mantenimiento a la sección de fluido

Dar servicio a la sección de fluido consiste en reemplazar las empaquetaduras de borde en forma de T, el pistón y las piezas de la válvula que muestren señales de desgaste.

**NOTA: Si resulta difícil desensamblar algunas de las piezas, remójelas en el solvente apropiado hasta que la pintura se suavice.**

### Para quitar la sección de fluido

1. Con el destornillador plano de cuchilla, quite el anillo de retención desde la cámara de la válvula de entrada y quitando la conjunto del equipo de succión.
2. Desatornille la manguera del fluido para separarla del conjunto de la sección de fluido.
3. Afloje y retire el adaptador del tubo de retorno del conjunto de la sección de fluido.
4. Desatornille los 6 tornillos que sostienen unida la cubierta al frente de la caja de la bomba y quite la cubierta.
5. Extraiga el broche de retención de la culata y el pasador.
6. Empuje el pasador para sacarlo del pistón y la culata. Use el extremo corto de una llave de tuercas hexagonal si es necesario.
7. Afloje la tuerca de seguridad que está en la parte superior del conjunto de la sección de fluido.
8. Desatornille el conjunto de la sección de fluido para separarlo de la bomba.



### Para dar mantenimiento a las empaquetaduras con borde en forma de T

#### Para quitar las empaquetaduras con borde en forma de T

1. Ponga la parte plana para poner tuercas de la caja de la válvula de entrada en un tornillo de banco y desatornille la sección de fluido para separarla de la caja de la válvula de entrada.
2. Desatornille la tuerca de la empaquetadura para separarla de la sección de fluido.

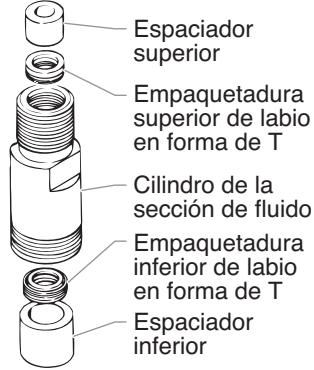


**NOTA:** Cuando quite el pistón, evite que el pistón se caiga pues podría dañarse si se cayera.

3. Empuje el pistón para extraerlo a través del extremo inferior de la sección de fluido. Golpee ligeramente con un martillo sobre la parte superior del pistón si es necesario.

4. Quite los espaciadores superior e inferior de la sección de fluido.

5. Empuje con un desatornillador las empaquetaduras con borde en forma de T para extraerlas de la sección de fluido. Para empujar el sello superior y extraerlo, introduzca el desatornillador a través del extremo inferior de la sección de fluido. Para empujar el sello inferior y extraerlo, introduzca el desatornillador a través del extremo superior de la sección de fluido.



**NOTA:** Cuando quite las empaquetaduras con borde en forma de T, tenga cuidado de no raspar o arañar la superficie interna de la sección de fluido con el desatornillador.

**Para reemplazar las empaquetaduras con borde en forma de T**

**NOTA:** Para una máxima vida del empaquetamiento del Filo-T, use una herramienta guía del Filo-T (ver la sección de partes de fluidos para el número de pieza) para introducir el empaquetamiento inferior del Filo-T en el cilindro. Si no tiene usted la herramienta guía de empaquetamiento, siga los pasos 1- 2 del siguiente procedimiento.

1. Aplique una ligera capa de aceite casero en la nueva empaquetadura con borde en forma de T e introdúzcala verticalmente dentro del extremo inferior de la sección de fluido.

2. Gire la empaquetadura con borde en forma de T que está dentro del cilindro de la sección de fluido de manera que los resorte de la empaquetadura con borde en forma de T queden viendo hacia dentro del cilindro. Para hacer esto, sostenga el borde inferior de la empaquetadura con borde en forma de T en su lugar al mismo tiempo que al presionar sobre el borde superior la empaquetadura vaya entrando en el cilindro.



3. Empuje la empaquetadura con borde en forma de T inferior hacia dentro de la sección de fluido tanto como sea posible.

4. Inserte el espaciador inferior en la sección de fluido.

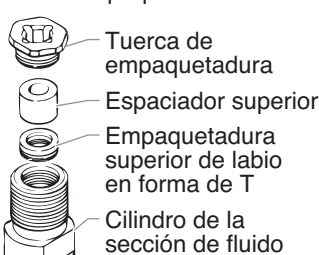
5. Aplique una ligera capa de aceite casero en la nueva empaquetadura con borde en forma de T superior y póngalo dentro del extremo superior de la sección de fluido. Coloque la empaquetadura con borde en forma de T en una posición tal que quede nivelado y los resortes de la empaquetadura queden viendo hacia dentro del cilindro.

6. Enrosque la tuerca de la empaquetadura dentro de la sección de fluido para empujar más la empaquetadura con borde en forma de T superior hacia dentro del cilindro; quite luego la tuerca de la empaquetadura.

7. Inserte el espaciador superior dentro de la sección de fluido.

8. Empuje el espaciador superior tanto como se pueda hacia adentro de la sección de fluido.

9. Atornille la tuerca de la empaquetadura que está dentro de la sección de fluido.



**Para dar mantenimiento a las válvulas**

**Para reemplazar el pistón y las piezas desgastadas de la válvula de la salida**

1. Voltee el pistón hacia abajo y con una llave de tuercas hexagonal quite el retenedor del asiento del pistón del extremo inferior del pistón.

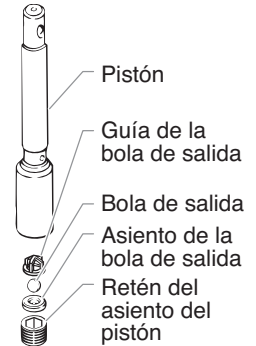
2. Cubra el extremo abierto del pistón y voltee el pistón otra vez hacia arriba para quitar el asiento de la bola de salida y la bola de salida.

3. Inserte una guía de la bola de salida nueva en el nuevo pistón. El extremo abierto de la guía de la bola debe quedar frente a frente con el extremo abierto del pistón. Use la cabeza de un clavo o tornillo largo para asentar la guía de la bola después de pasar la parte roscada que está dentro del pistón, si es necesario.

4. Inserte una bola de salida en la guía de la bola de salida.

5. Revise el asiento de la bola de salida para ver si está desgastado. Si los dos lados están desgastados, inserte un asiento de bola nuevo dentro del pistón, sobre la parte superior de la bola. Si solamente uno de los lados del asiento de la bola está desgastado, insértelo dentro del pistón, con el lado desgastado dando las espaldas a la bola.

6. Aplique un compuesto para bloquear roscas apropiado en la rosca del retenedor del asiento del pistón.



**NOTA:** No ponga el pistón nuevo en un tornillo de banco. El pistón puede dañarse si se pone en un tornillo de banco.

7. Atornille el retenedor del asiento del pistón en el extremo inferior del pistón. Aplique un par de torsión 12 pie/lb en el retenedor.

8. Aplique una ligera capa de aceite casero en el pistón y después insértelo, metiendo primero el eje, dentro del extremo inferior de la sección de fluido hasta que se asiente. Golpee ligeramente sobre el pistón con un martillo de hule si es necesario.

**Para reemplazar las piezas desgastadas de la válvula de entrada**

1. Quite el anillo en O de la caja de la válvula de entrada.

2. Cubra la parte superior de la caja de la válvula de entrada y voltee la caja boca arriba para quitarle el disco de tope de la bola de entrada, la guía de la bola de entrada, la bola de entrada, el asiento de la bola de entrada y el sello de la bola de entrada.

3. Inserte un sello de bola de entrada nuevo dentro de la caja de la válvula de entrada.

4. Revise el asiento de la bola de entrada para ver si está desgastado. Si los dos lados están desgastados, inserte un asiento de bola nuevo dentro de la caja. Si solamente uno de los asientos de la bola está desgastado, insértelo dentro de la caja poniendo el lado desgastado hacia abajo.

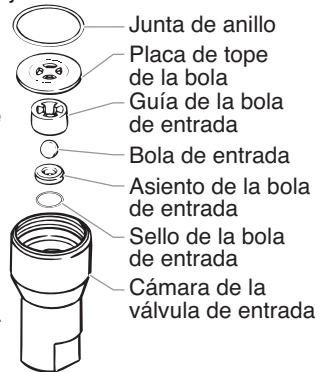
5. Ponga una bola de entrada nueva sobre el asiento de la bola que está en la caja.

6. Ponga la guía de la bola de entrada sobre la bola de entrada.

7. Ponga la placa de tope de la bola de entrada sobre la guía de la bola.

8. Inserte un anillo en O nuevo dentro de la caja de la válvula de entrada.

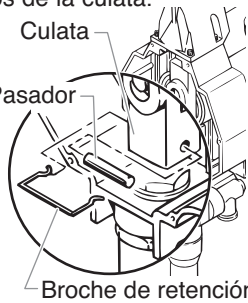
9. Ponga la parte plana para poner tuercas de la caja de la válvula de entrada en un tornillo de banco y atornille la sección de fluido en la caja de la válvula de entrada. Aplique un par de torsión en la caja de la válvula de entrada de 85 a 95 pies/lb.





## Para fijar la sección de fluido

1. Gire la tuerca de seguridad que está sobre la sección de fluido hasta que llegue al fondo de la rosca.
2. Enrosque la sección de fluido en la caja de la bomba.
3. Rote la sección de fluido para alinear el orificio que está en el eje del pistón con los orificios de la culata.
4. Inserte el pasador a través de la culata y el pistón.
5. Ajuste a presión el broche de retención alrededor del pasador y la culata.
6. Atornille la sección de fluido en la caja de la bomba tanto como sea posible, y después desatornillela ligeramente para que el adaptador de la manguera de fluido se alinee con la manguera de fluido.
7. Asegure firmemente la tuerca de seguridad que está en la parte superior del conjunto de la sección de fluido contra la caja de la bomba usando una llave de tuercas ajustable.
8. Asegure de nuevo el adaptador del tubo de retorno en su posición original.
9. Cómo llenar de aceite los depósitos de las tuercas de presión.
10. Vuelva a colocar la cubierta de la caja de la bomba y atornille los 6 tornillos que la sujetan en su lugar.
11. Asegure la manguera de fluido en el adaptador de la manguera de fluido que está en la sección de fluido.
12. Inserte el codo sobre la conjunto del equipo de succión en el fondo de la cámara de la válvula de entrada.
13. Empuje el anillo de retención en la ranura adentro la cámara de la válvula de entrada para asegurar la conjunto del equipo de succión en la posición.



## Para limpiar la boquilla de atomización

1. Enjuague la pistola con solvente inmediatamente después de que se complete el trabajo.
  2. Lubrique los pasadores cilíndricos para prevenir que se traben.
- Si la boquilla del atomizador se llegara a taponar, invierta la boquilla con la palanca y jale el gatillo. Una vez que la obstrucción haya salido de la boquilla del atomizador, suelte el gatillo, invierta de nuevo la boquilla hasta dejarla en la posición de patrón de atomización, y siga atomizando.



## ⚠ ADVERTENCIA

No intente limpiar la boquilla con el dedo. No use agujas ni ninguno otro instrumento puntiagudo filoso para limpiar la boquilla. El carburo de tungsteno duro es quebradizo y se puede desportillar.

## Para limpiar el filtro

Limpie el filtro con un cepillo que haya sumergido en solvente. No pique nunca el filtro con un instrumento filoso.

## Para cambiar el filtro

1. Jale hacia adelante el protector del gatillo para que se suelte del manubrio.
2. Desatornille el manubrio para separarlo de la caja y quite el filtro anterior.
3. Deslice el nuevo filtro, introduciendo primero el extremo cónico, dentro de la caja de la pistola.
4. Vuelva a colocar el manubrio, la rondana y el resorte. Atornille el manubrio en la caja hasta que quede apretado a mano. Vuelva a colocar el protector del gatillo.

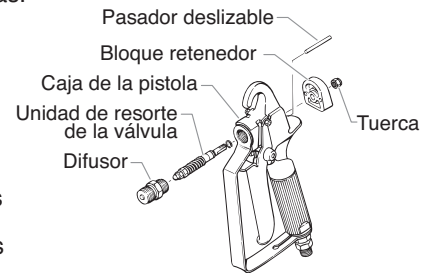


## Para reemplazar la unidad de resorte de la válvula

**NOTA: Reemplace la empaquetadura si la pistola de atomización está desensamblada. Reemplace los pasadores deslizables si están desgastados.**

1. Desenrosque la boquilla del atomizador.

2. Bloquee la pistola en la posición ON y quite el difusor con una llave de tuercas.
3. Desbloquee la pistola.
4. Desenrosque la tuerca con una llave de tuercas y saque el bloque retenedor.
5. Quite los pasadores deslizables con cuidado y guárdelos en un lugar seguro para que no se vayan a extraviar.
6. Impulse la unidad de resorte de la válvula hacia adelante desde la parte posterior del bloque retenedor. Use el mango de un martillo de madera o una herramienta suave similar para evitar que se dañe la unidad de resorte de la válvula.



## Accesorios

Pieza #	Descripción
0550xxx	Conjunto de la boquilla XL-1
0297xxx	Conjunto de la boquilla RC
0502xxx	El núcleo de reemplazo, la boquilla RC
0297078	Protector de boquilla (11/16")
0297070	Protector de boquilla (7/8")
0291004	Manguera, Extremo de conexión flexible, 3' x 3/16"
0291003	Manguera, Extremo de conexión flexible, 5' x 3/16"
0291002	Manguera, Inalámbrica, 25' x 1/4"
0291000	Manguera, Inalámbrica, 50' x 1/4"
0093896	Conector de manguera, 1/4" x 1/4" M
0088154	Manómetro
0152001	Accesorio para pistola de rodillo eléctrico
0152308	Cubierta de rodillo de 9", Felpa de 3/8"
0152307	Cubierta de rodillo de 9", Felpa de 1/2"
0152309	Cubierta de rodillo de 9", Felpa de 3/4"
0152310	Cubierta de rodillo de 9", Felpa de 1-1/4"
0152235	Cubierta de rodillo de 12", Felpa de 1/2"
0152236	Cubierta de rodillo de 12", Felpa de 3/8"
0152237	Cubierta de rodillo de 12", Felpa de 3/4"
0152238	Cubierta de rodillo de 12", Felpa de 1-1/4"
0152700	Adaptador, Extensión de rodillo eléctrico
0270145	Pistola de atomización sin aire de activación manual G-10 (sin punta)
0093930	Compuesto antiatascamiento
0152909	Rodillo de contracción R-10, 9", Felpa de 3/8"
0152900	Rodilla de contracción R-10, 12", Felpa de 3/8"
0502007	Pistola Atomizadora sin Aire G-10 de Cuatro Dedos con Punta Reversible 517
0502011	Pistola Atomizadora sin Aire G-10 de Dos Dedos (sin punta)
0502009	Pistola Atomizadora sin Aire G-10 de Dos Dedos con Punta Reversible 517
0270214	Paquete Atomizador G-10 de Cuatro Dedos con Manguera sin Aire de 50" x _" [1,27 mm x 6 mm]
0502012	Paquete Atomizador G-10 de Dos Dedos con Manguera sin Aire de 50" x _" [1,27 mm x 6 mm]

## Para escoger el filtro de pistola de atomización correcto

Use el filtro de pistola de atomización basándose en el tipo de material que se vaya a aplicar, como se muestra a continuación.

No. de pieza	Aplicación	Tipo de filtro	Número de malla	Color del cuerpo del filtro
0089960	Resina sintética, esmaltes, barnices claros, tintes, pinturas azules	Extrafino	0.084 mm	rojo
0089959	Esmaltes de revestimiento, esmaltes imprimadores, blancos de carga, pinturas para marcar, esmaltes de textura	Fino	0.140 mm	amarillo
0089958	Emulsiones, pinturas de látex, pinturas acrílicas	Mediano	0.315 mm	blanco
0089957	Pinturas de fondo, superficies de área extensa	Grueso	0.560 mm	verde

# Detección de problemas

## Problema

No funciona la unidad.

## Causa

1. La unidad no está enchufada.
2. Disyuntor disparado.
3. Ajuste de presión demasiado bajo (la perilla de control de presión en su ajuste mínimo no suministra energía a la unidad).
4. Conexiones defectuosas o sueltas.
5. Temperatura excesiva del motor
6. Interruptor ON/OFF defectuoso.

## Solución

1. Enchufe la unidad.
2. Reajuste el disyuntor.
3. Gire la perilla de control de presión en la dirección de las agujas del reloj para suministrar energía a la unidad y aumentar el ajuste de presión.
4. Inspeccione o lleve a un centro de servicio autorizado por SprayTECH.
5. Deje que el motor se enfríe.
6. Reemplace el interruptor ON/OFF.

No se ceba la unidad.

1. La válvula PRIME/SPRAY (CEBADO/ROCIADO) está en la posición SPRAY.
2. Fuga de aire en el tubo de sifón/juego de succión.
3. El filtro de bomba y/o la malla de entrada está obstruido.
4. El tubo de sifón/juego de succión está obstruido.

1. Gire la válvula PRIME/SPRAY (CEBADO/ROCIADO) en la dirección de las agujas del reloj hasta la posición PRIME (CEBADO).
2. Compruebe la conexión del tubo de sifón/juego de succión y apriete o vuelva a asegurar la conexión con cinta PTFE.
3. Quite el elemento del filtro de bomba y límpielo. Quite la malla de entrada y límpiela.
4. Quite el tubo de sifón/juego de succión y límpielo.

La unidad no crea presión ni la mantiene.

1. La punta rociadora está desgastada.
2. La punta rociadora es demasiado grande.
3. La perilla de control de presión no está debidamente ajustada.
4. El filtro de bomba, el filtro de la pistola o la malla de entrada están obstruidos.
5. El material fluye desde la manguera de retorno cuando la válvula PRIME/SPRAY (CEBADO/ROCIADO) está en la posición SPRAY.
6. Fuga de aire en el tubo de sifón/juego de succión.
7. Existe una fuga de fluido externa.
8. Existe una fuga en la sección de líquidos interna (las empaquetaduras están desgastadas o sucias, las bolas de las válvulas están desgastadas).
9. Los asientos de las válvulas están desgastados
10. El motor tiene alimentación pero no gira.

1. Quite la punta rociadora siguiendo las instrucciones suministradas con la pistola rociadora.
2. Reemplace la punta rociadora por una punta que tenga un orificio más pequeño siguiendo las instrucciones suministradas con la pistola rociadora.
3. Gire la perilla de control de presión en la dirección de las agujas del reloj para incrementar el ajuste de presión.
4. Quite el elemento del filtro de bomba y límpielo. Quite el filtro de la pistola y límpielo. Quite la malla de entrada y límpiela.
5. Limpie o reemplace la válvula PRIME/SPRAY (CEBADO/ROCIADO).
6. Compruebe la conexión del tubo de sifón/juego de succión y apriete o vuelva a asegurar la conexión con cinta PTFE.
7. Compruebe todas las conexiones en busca de fugas externas. Apriete las conexiones, si fuese necesario.
8. Limpie las válvulas y de servicio a la sección de líquidos siguiendo el procedimiento de "Servicio a la sección de líquidos" de la sección de Mantenimiento de este manual.
9. Invierta o reemplace los asientos de las válvulas siguiendo el procedimiento de "Servicio a la sección de líquidos" de la sección de Mantenimiento de este manual.
10. Lleve la unidad a un centro de servicio autorizado por SprayTECH.

Fuga de fluido en el extremo superior de la sección de líquidos.

1. Las empaquetaduras superiores están desgastadas.
2. La vara del pistón está desgastada.

1. Vuelva a poner las empaquetaduras siguiendo el procedimiento de "Servicio a la sección de líquidos" de la sección de Mantenimiento de este manual..
2. Reemplace el vástago del pistón siguiendo el procedimiento de "Servicio a la sección de líquidos" de la sección de Mantenimiento de este manual.

Presión excesiva en la pistola del rociador.

1. El tipo de manguera rociadora sin aire es erróneo.
2. La punta rociadora está desgastada o es demasiado grande.
3. Presión excesiva.

1. Reemplace la manguera por una manguera rociadora sin aire con trenzado textil conectada a tierra de 1/4" con un largo mínimo de 50 pies (15 metros).
2. Reemplace la punta rociadora siguiendo las instrucciones suministradas con la pistola rociadora.
3. Gire la perilla de control de presión en el sentido contrario a las agujas del reloj para reducir la presión de rociado.

Patrón de atomización deficiente.

1. La punta rociadora es demasiado grande para el material que se está utilizando.
2. Ajuste de presión incorrecto.
3. Paso de líquido insuficiente.
4. El material que se está rociando es demasiado viscoso.

1. Reemplace la punta rociadora con una punta rociadora nueva o más pequeña siguiendo las instrucciones suministradas con la pistola rociadora.
2. Gire la perilla de control de presión para ajustar la presión para obtener un patrón de rociado adecuado.
3. Limpie todas las mallas y filtros.
4. Añada solvente al material de acuerdo con las recomendaciones del fabricante.

La unidad no tiene alimentación.

1. El ajuste de la presión es demasiado bajo.
2. Suministro de tensión inadecuado.

1. Gire la perilla de control de presión en el sentido de las agujas del reloj para aumentar el ajuste de presión.
2. Vuelva a conectar la tensión de entrada para 120V AC.

# Garantía Limitada

## Equipo Rociador Comercial Sin Aire

### Garantía de Dos Años

SprayTECH, una división de Wagner Spray Tech Corporation ("SprayTECH"), garantiza este producto contra defectos de materiales y de fabricación por un período de dos años a contar de la fecha de adquisición por el comprador original. Durante este período, SprayTECH reparará o reemplazará cualquier componente defectuosa o desgastada o, por decisión de SprayTECH, devolverá el total del precio pagado por el producto a su comprador original, a cambio de la devolución del producto. Sin embargo, SprayTECH no reemplazará o reparará ningún componente de la bomba de fluido a causa del desgaste más de uno veces durante el período de garantía de dos años. Esta garantía no cubre productos de consumo tales como filtros y puntas.

### Garantía de por vida en trenes de engranajes, motores eléctricos y motores a gas

SprayTECH garantiza de por vida, al comprador original, los trenes de engranaje, motores eléctricos (excluyendo las escobillas) y motores a gas (excluyendo el embrague) de este producto **contra defectos de material y fabricación**. Si SprayTECH determina que la garantía mencionada ha sido quebrantada, reparará o reemplazará sin costo las componentes defectuosas o, en su defecto podrá decidir devolver al comprador original el total del precio de compra del producto a cambio de la devolución de él.

### Reclamos de garantía

Cualquier solicitud de reparación o reemplazo de acuerdo con la garantía precedente deberá ser acompañada por el envío de las piezas defectuosas correspondientes, incluyendo el pago previo de los costos de transporte, a un centro de servicio autorizado por SprayTECH o a Wagner Spray Tech Corporation, 1770 Fernbrook Lane, Minneapolis, MN 55447.

### Limites de recursos

LOS RECURSOS INDICADOS ANTERIORMENTE SON LOS UNICOS RECURSOS DISPONIBLES ANTE EL INCUMPLIMIENTO DE GARANTIAS EXPRESAS E IMPLICITAS. Estos recursos no deberán considerarse como faltantes a su propósito esencial mientras SprayTECH esté dispuesta a reparar o reemplazar las partes, o a devolver el precio de compra, como se indica más arriba.

### Qué no está Cubierto por esta Garantía

Esta garantía no cubre defectos o daños causados por:

- El empleo o instalación de partes de repuesto o reemplazo o accesorios no fabricados por SprayTECH;
- reparaciones realizadas por cualquier servicio distinto al Centro de Servicio Autorizado por SprayTECH; o
- abuso, mal uso, negligencia, accidente, instalación defectuosa, o manipulación de manera que deteriora la operación normal.

Esta garantía tampoco cubre los equipos y accesorios suministrados a SprayTECH por otro fabricante de equipos originales, incluyendo pero no limitadas a las mangueras, puntas y accesorios. SprayTECH proveerá al comprador de copias de las garantías entregadas a SprayTECH por el fabricante de equipos originales, junto con el nombre y dirección del fabricante correspondiente.

### Limites de recursos

EN NINGUN CASO SERA SPRAYTECH RESPONSABLE POR NINGUN DAÑO O PERDIDA ACCIDENTAL, ESPECIAL O CONSECUCIONAL, INCLUYENDO LOS COSTOS DE TRANSPORTE, SI TALES DAÑOS SE BASAN EN UN INCUMPLIMIENTO DE GARANTIAS EXPRESAS O IMPLICITAS, INCUMPLIMIENTO DE CONTRATOS, NEGLIGENCIA, AGRAVIO Estricto, O CUALQUIER OTRA VERSION LEGAL.

### Renuncia de Garantías Implícitas

LAS GARANTIAS ANTERIORES SUBSTITUYEN A TODAS LAS OTRAS GARANTIAS, EXPRESAS O IMPLICITAS, INCLUYENDO PERO NO LIMITADAS A LAS GARANTIAS IMPLICITAS DE COMERCIALIZACION E INTERPRETACION PARA UN PROPOSITO PARTICULAR.

### Garantía Intransferible

Esta garantía se extiende sólo al comprador original y no es transferible.

#### Garantía de Satisfacción SprayTECH por 30-Días

Si, dentro de un período de 30-días de la fecha de compra, usted no está totalmente satisfecho con una unidad SprayTECH/CAPSpray, puede regresarla y recibir un crédito total hacia otro producto SprayTECH o CAPSpray de igual o mayor valor.

## Patentes

Estos productos están protegidos por una de las siguientes patentes (U.S.A.):

5,234,592	D344,832	5,318,314	5,252,210	5,228,842	5,192,425	5,099,183
5,346,037	5,494,199	5,472,318	5,435,697	5,211,611	5,671,656	D384,676
5,282,722	4,992,633	5,725,364	5,769,321	5,848,566	6,031,352	D376,637
D387,414	D382,938	D405,159	D412,965	5,505,381	5,765,753	5,887,793
5,893,522	5,947,381	5,749,528	5,660,332	5,425,506	4,768,929	4,611,758
4,508,268						

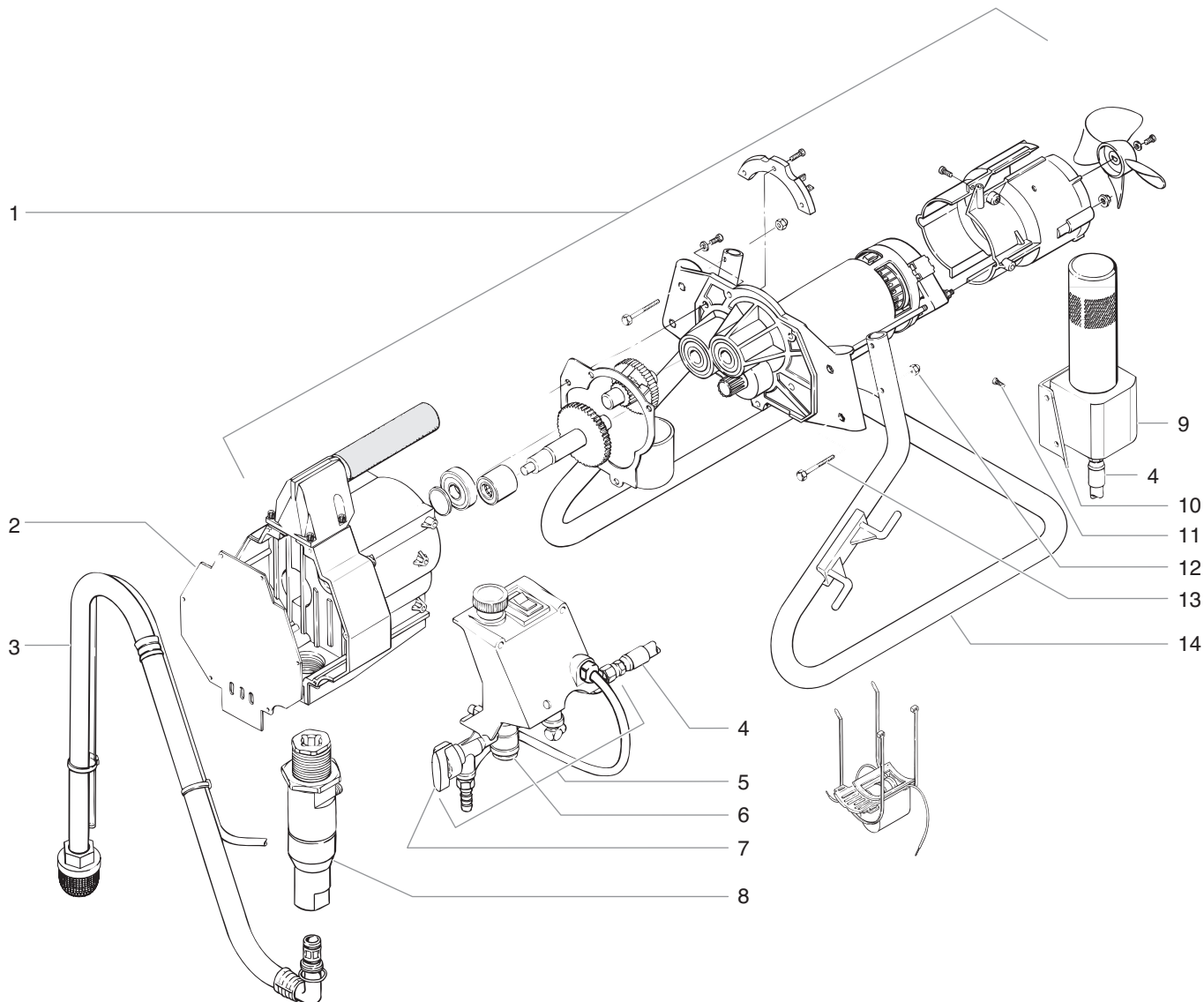
### SprayTECH®

1770 Fernbrook Lane  
Minneapolis, Minnesota 55447  
Telephone 1-800-292-4637

Las Hojas de Datos de Seguridad (Material Safety Data Sheets - MSDS) se encuentran disponibles en el sitio web de Titan o llamando al Servicio al Cliente.

# Parts List • Liste des pièces • Lista de piezas

## Main Assembly • Dispositif de principale • Conjunto del principal



### English

Item	Part #	Description	Quantity	Item	Part #	Description	Quantity
1	-----	Drive assembly .....	1	7	0295905	PRIME/SPRAY valve assembly.....	1
2	0295342	Cover .....	1	8	-----	Fluid section assembly .....	1
3	0295236	Suction set assembly.....	1	9	0295903	Filter assembly.....	1
4	13549	Hose .....	2	10	0508300	Bracket, filter.....	1
5	-----	Pressure control assembly (stand unit)..	1	11	9802526	Screw .....	2
	0295240	Pressure control assembly (cart assemblies) .....	1	12	0088326	Nut (torque to 65 in./lbs.) .....	4
6	0295902	Transducer assembly .....	1	13	0090237	Bolt.....	4
				14	-----	Stand assembly .....	2

### Français

Article	N° de pièce	Description	Quantité	Article	N° de pièce	Description	Quantité
1	-----	Entraînement .....	1	7	0295905	Valve amorçage/pulvérisation .....	1
2	0295342	Couvercle.....	1	8	-----	Compartiment liquide.....	1
3	0295236	Dispositif de succion.....	1	9	0295903	Ensemble filtre.....	1
4	13549	Flexibe d'alimentation en liquide .....	2	10	0508300	Ferrure de filtre .....	1
5	0295237	Dispositif de réglage de la pression (dispositif de pied) .....	1	11	9802526	Vis .....	2
	0295240	Dispositif de réglage de la pression (dispositifs de chariot).....	1	12	0088326	ÉCROU (couple de torsion: 65 po/lb.).....	4
6	0295902	Transducteur.....	1	13	0090237	Boulon.....	4
				14	-----	Dispositif de pied .....	2

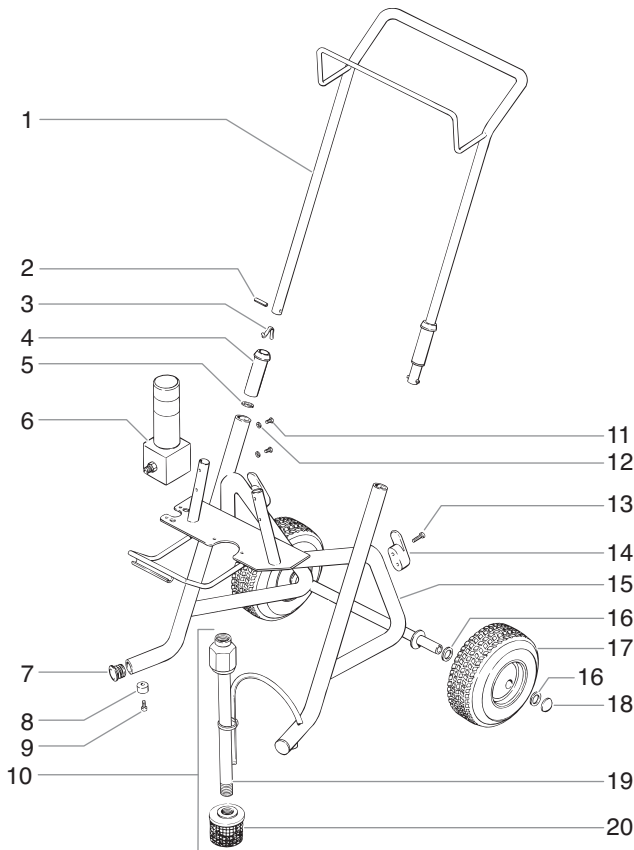


## Español

Artículo	Pieza #	Descripción	Cantidad
1	-----	Conjunto del impulsor.....	1
2	0295342	Cubierta.....	1
3	0295236	Conjunto del equipo de succión.....	1
4	13549	Manguera de fluido.....	2
5	0295237	Conjunto del control de la presión (conjunto del pata).....	1
	0295240	Conjunto del control de la presión (asambleas de carro).....	1
6	0295902	Conjunto del transductor.....	1

Artículo	Pieza #	Descripción	Cantidad
7	0295905	Conjunto de la válvula de Cebar/Atomizar.	1
8	-----	Conjunto de la sección de fluido.....	1
9	0295903	Ensamblaje del filtro.....	1
10	0508300	Soporte, filtro.....	1
11	9802526	Tornillo.....	2
12	0088326	Tuerca (torque to 65 in./lbs.).....	4
13	0090237	Perno.....	4
14	-----	Conjunto del pata.....	2

## Cart Assembly • Dispositif de chariot • Conjunto del Carro



## Français

Article	N° de pièce	Description	Quantité
1	0507144	Poignée.....	1
2	0295610	Goupille rouleau.....	2
3	9841504	Bouton d'enclenchement.....	2
4	0295607	Manche de poignée.....	2
5	0295609	Rondelle plate.....	2
6	0295192	Filtre.....	1
7	9885571	Prise.....	4
8	13538	Pied.....	2
9	54458	Vis.....	2
10	0295194	Dispositif de tube siphon.....	1
11	0295608	Vis.....	4
12	0509386	Rondelle de sécurité.....	4
13	0293357	Vis.....	4
14	0279437	Attache de cordon.....	2
15	0507138	Chariot.....	1
16	0294534	Rondelle d'espacement.....	4
17	0278373	Roue.....	2
18	9890104	Chapeau.....	2
19	0295542	Tube siphon.....	1
20	02976	Filtre d'entrée.....	1

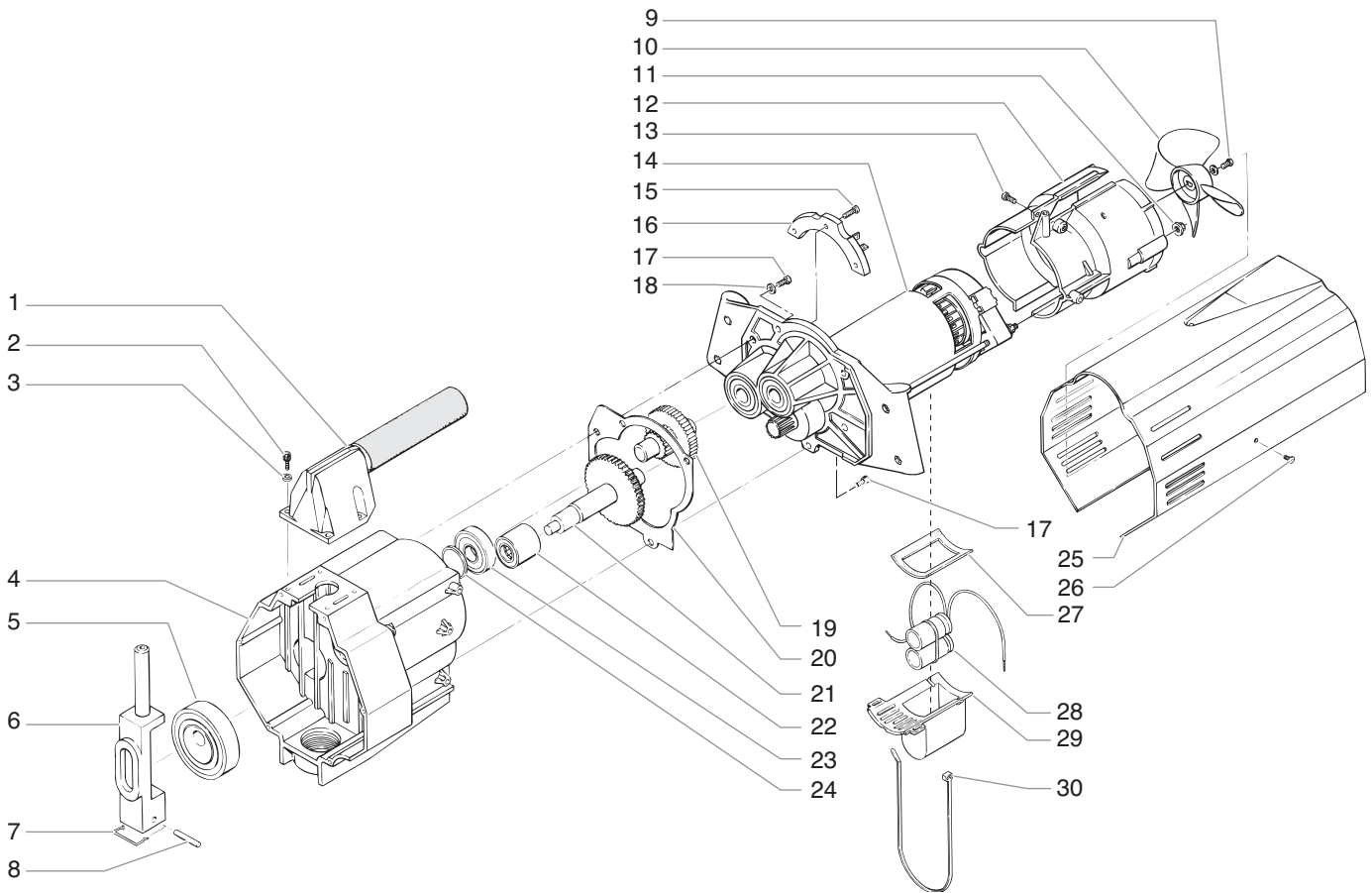
## Español

Artículo	Pieza #	Descripción	Cantidad
1	0507144	Mango.....	1
2	0295610	Pasador de rollo.....	2
3	9841504	Botón, a presión.....	2
4	0295607	Manga de asa.....	2
5	0295609	Rondana, plana.....	2
6	0295192	Conjunto del filtro.....	1
7	9885571	Tapón.....	4
8	13538	Pata.....	2
9	54458	Tornillo.....	2
10	0295194	Conjunto del tubo sifón.....	1
11	0295608	Tornillo.....	4
12	0509386	Rondana de seguridad.....	4
13	0293357	Tornillo.....	4
14	0279437	Amarra.....	2
15	0507138	Carro.....	1
16	0294534	Espaciador.....	4
17	0278373	Rueda.....	2
18	9890104	Tapa.....	2
19	0295542	Tubo sifón.....	1
20	02976	Pantalla de entrada.....	1

## English

Item	Part #	Description	Quantity
1	0507144	Handle.....	1
2	0295610	Pin, roll.....	2
3	9841504	Button, snap.....	2
4	0295607	Sleeve, handle.....	2
5	0295609	Flat washer.....	2
6	0295192	Filter assembly.....	1
7	9885571	Plug.....	4
8	13538	Foot.....	2
9	54458	Screw.....	2
10	0295194	Siphon tube assembly.....	1
11	0295608	Screw.....	4
12	0509386	Lock washer.....	4
13	0293357	Screw.....	4
14	0279437	Cord wrap.....	2
15	0507138	Cart.....	1
16	0294534	Spacer.....	4
17	0278373	Wheel.....	2
18	9890104	Cap.....	2
19	0295542	Tube, siphon.....	1
20	02976	Strainer.....	1

# Drive Assembly • Dispositif de entraînement • Conjunto del impulsor



## English

Item	Part #	Description	Quantity	Item	Part #	Description	Quantity
1	0295123	Handle with grip.....	1	17	9800341	Screw.....	3
2	9800339	Hex screw.....	4	18	9820213	Washer.....	3
3	9821515	Lock washer.....	4	19	0509121	Gear, first stage.....	1
4	0508439	Housing.....	1	20	0295325	Housing gasket.....	1
5	0295509	Eccentric assembly.....	1	21	0295186	Gear, output.....	1
6	0295518	Yoke.....	1	22	9860424	Roller bearing.....	1
7	0295519	Retaining clip.....	1	23	9860417	Ball bearing.....	1
8	0295520	Pin.....	1	24	0295335	Washer.....	1
9	9804916	Screw.....	1	25	0295126	Shroud with labels.....	1
10	0295406	Fan.....	1	26	9802892	Screw.....	3
11	9811121	Hex nut.....	2	27	0295530	Capacitor cover gasket.....	1
12	0295414	Fan shroud.....	2	28	-----	Capacitor.....	1
13	9802891	Screw.....	2	29	0295522	Capacitor cover.....	1
14	0295976	Motor, DC, 1.1 HP (includes items 9–16 and 28).....	1	30	9850651	Capacitor cable tie.....	3
15	9804925	Screw.....	3	31	0508980	Capacitor/Relay kit (includes items 15, 16, and 28).....	1
16	-----	Relay, 120 volt.....	1				

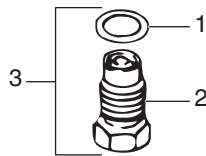
## Français

Article	N° de pièce	Description	Quantité	Article	N° de pièce	Description	Quantité
1	0295123	Poignée avec revêtement.....	1	17	9800341	Vis.....	3
2	9800339	Vis.....	4	18	9820213	Rondelle.....	3
3	9821515	Rondelle de sécurité.....	4	19	0509121	Engrenage.....	1
4	0508439	Boîtier.....	1	20	0295325	Joint du boîtier.....	1
5	0295509	Montage excentré.....	1	21	0295186	Engrenage.....	1
6	0295518	Support.....	1	22	9860424	Roulement à rouleau.....	1
7	0295519	Pince de rétention.....	1	23	9860417	Roulement à bille.....	1
8	0295520	Goupille.....	1	24	0295335	Rondelle.....	1
9	9804916	Vis.....	1	25	0295126	Buse munie d'étiquettes.....	1
10	0295406	Ventilateur.....	1	26	9802892	Vis.....	3
11	9811121	Ecrou.....	2	27	0295530	Joint de couvercle de condensateur.....	1
12	0295414	Buse du ventilateur.....	2	28	-----	Condensateur.....	1
13	9802891	Vis.....	2	29	0295522	Couvercle de condensateur.....	1
14	0295976	Moteur, c.c, 1.1 HP (inclus les articles 9–16 et 28).....	1	30	9850651	Cordon de câble de condensateur.....	3
15	9804925	Vis.....	3	31	0508980	Ensemble de relais/condensateur (inclus les articles 15, 16, et 28).....	1
16	-----	Relais, 120 volts.....	1				

## Español

Artículo	Pieza #	Descripción	Cantidad	Artículo	Pieza #	Descripción	Cantidad
1	0295123	Manubrio con agarradera .....	1	17	9800341	Tornillo .....	3
2	9800339	Tornillo .....	4	18	9820213	Rondana .....	3
3	9821515	Rondana de seguridad .....	4	19	0509121	Engranaje .....	1
4	0508439	Caja .....	1	20	0295325	Empaque de la caja .....	1
5	0295509	Conjunto de la excéntrica .....	1	21	0295186	Engranaje .....	1
6	0295518	Culata .....	1	22	9860424	Cojinete de rodillos .....	1
7	0295519	Broque de retención .....	1	23	9860417	Cojinete de bolas .....	1
8	0295520	Pasador .....	1	24	0295335	Rondana .....	1
9	9804916	Tornillo .....	1	25	0295126	Cubierta con rótulos .....	1
10	0295406	Ventilador .....	1	26	9802892	Tornillo .....	3
11	9811121	Tuerca .....	2	27	0295530	La empaquetadura de cubierta del capacitor .....	1
12	0295414	Cubierta del ventilador .....	2	28	-----	Capacitor .....	1
13	9802891	Tornillo .....	2	29	0295522	Cubierta del capacitor .....	1
14	0295976	Motor, CD, 1.1 HP (incluye los artículos 9-16 y 28) .....	1	30	9850651	Cuerda de cable de capacitor .....	3
15	9804925	Tornillo .....	3	31	0508980	Juego de la relé/capacitor (incluye los artículos 15, 16, y 28) .....	1
16	-----	Relé, 120 voltios .....	1				

## Transducer Assembly • Transducteur • Conjunto del transductor (P/N 0295902)



### English

Item	Part #	Description	Quantity
1	9871056	O-ring .....	1
2	-----	Transducer body .....	1
3	0295902	Transducer assembly	

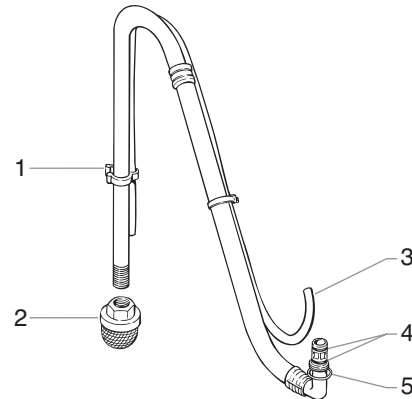
### Français

Article	N° de pièce	Description	Quantité
1	9871056	Joint torique .....	1
2	-----	Logement du transducteur .....	1
3	0295902	Ensemble du transducteur	

### Español

Artículo	Pieza #	Descripción	Cantidad
1	9871056	Junta de anillo .....	1
2	-----	Cuerpo del transductor .....	1
3	0295902	Conjunto de transductor	

## Suction Set Assembly • Dispositif de succion • Conjunto del equipo de succión (P/N 0295236)



### English

Item	Part #	Description	Quantity
1	0279459	Return clip .....	1
2	0295565	Intake screen (standard) .....	1
	0295467	Intake screen, fine (accessory)	
	0295466	Intake screen, coarse (accessory)	
3	0295357	Return tube .....	1
4	9871105	O-ring .....	2
5	0508388	Retaining ring .....	1

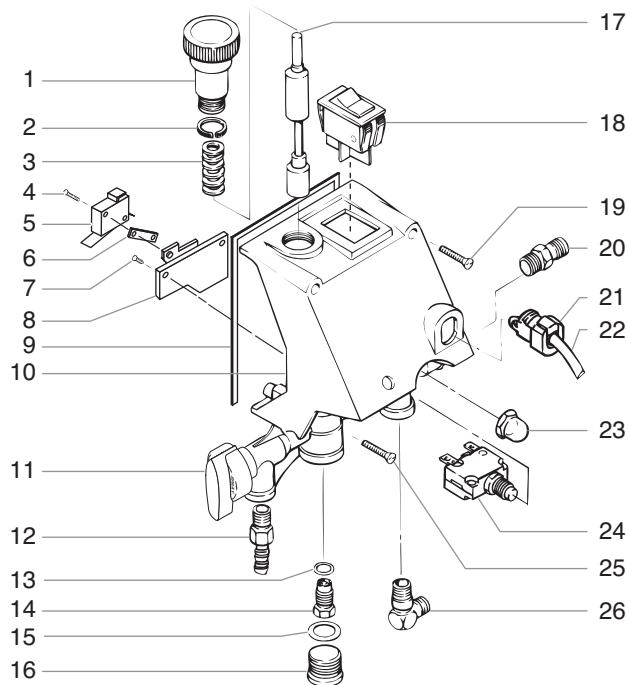
### Français

Article	N° de pièce	Description	Quantité
1	0279459	Pince de renvoi .....	1
2	0295565	Filtre d'entrée (standard) .....	1
	0295467	Filtre d'entrée, fin (accessoire)	
	0295466	Filtre d'entrée, grossier (accessoire)	
3	0295357	Tube de renvoi .....	1
4	9871105	Joint torique .....	2
5	0508388	Bague de retenue .....	1

### Español

Artículo	Pieza #	Descripción	Cantidad
1	0279459	Broque de retorno .....	1
2	0295565	Pantalla de entrada (estándar) .....	1
	0295467	Pantalla de entrada, fina (adiciona)	
	0295466	Pantalla de entrada, gruesa (adicional)	
3	0295357	Tubo de retorno .....	1
4	9871105	Anillo en O .....	2
5	0508388	Anillo de retención .....	1

# Pressure Control Assembly • Dispositif de réglage de la pression • Conjunto del control de la presión



## English

Item	Part #	Description	Quantity
1	0295426	Pressure control knob.....	1
2	9822522	Retaining ring.....	1
3	02712	Spring .....	1
4	9800604	Screw .....	2
5	0295490	Pressure switch .....	1
6	03662	Spacer .....	1
7	9802895	Screw .....	2
8	0295415	Bracket.....	1
9	0295350	Gasket .....	1
10	0508441	Control housing (stand unit) .....	1
	0295472	Control housing (cart assemblies)	
11	0295905	PRIME/SPRAY valve assy.....	1
12	9885568	Barbed fitting.....	1
13	9871056	O-ring.....	1
14	0295902	Transducer assembly (torque to 180 in./lbs.) .	1
15	9871060	O-ring.....	1
16	9885562	Plug (includes item 15) (torque to 20 ft./lbs.).....	1
17	0295377	Plunger .....	1
18	9850936	ON/OFF switch .....	1
19	9802287	Screw (torque to 20 in./lbs.).....	2
20	05045	Nipple.....	1
21	0276363	Strain relief (stand unit) .....	1
	9850664	Strain relief (cart assemblies)	
22	0295420	Cord set (stand unit) .....	1
	0295531	Cord set (cart assemblies)	
23	9850938	Boot .....	1
24	0295676	Switch, circuit breaker .....	1
25	9802896	Screw (torque to 20 in./lbs.).....	2
26	12440	90° elbow.....	1

## Français

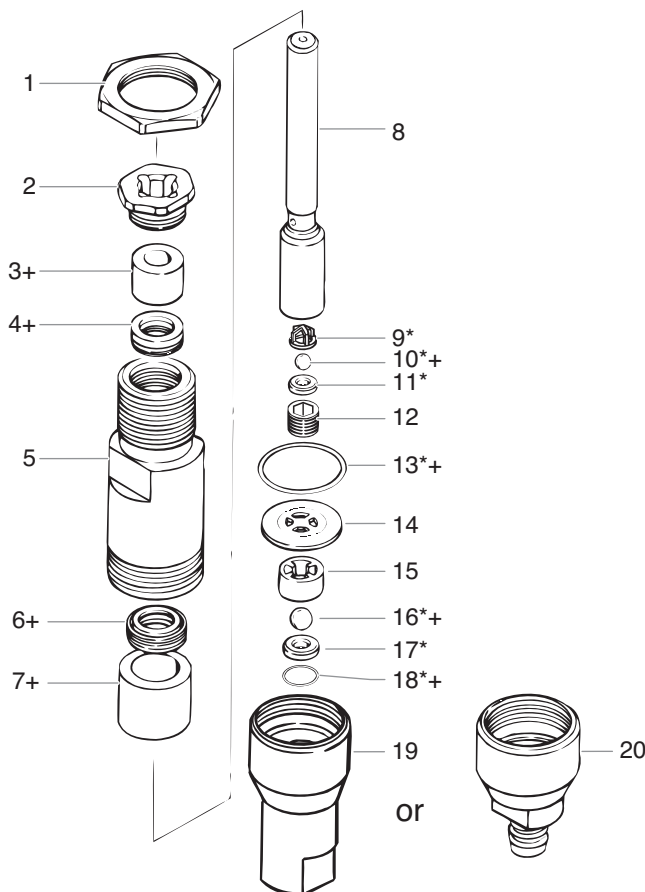
Article	N° de pièce	Description	Quantité
1	0295426	Bouton de réglage de la pression.....	1
2	9822522	Bague de retenue .....	1
3	02712	Ressort .....	1
4	9800604	Vis .....	2
5	0295490	Interrupteur de la pression.....	1
6	03662	Séparateur .....	1
7	9802895	Vis .....	2
8	0295415	Ferrure .....	1
9	0295350	Joint .....	1
10	0508441	Boîtier de contrôle (dispositif de pied) ..	1
	0295472	Boîtier de contrôle (dispositifs de chariot)	
11	0295905	Valve amorçage/pulvérisation.....	1
12	9885568	L'équipage barbelé .....	1
13	9871056	Joint torique .....	1
14	0295902	Transducteur (couple de torsion: 190 po/lb) .....	1
15	9871060	Joint torique .....	1
16	9885562	Bouchon (comprend le élément 15) (couple de torsion: 20 pi/lb).....	1
17	0295377	Plongeur .....	1
18	9850936	Commutateur .....	1
19	9802287	Vis (couple de torsion: 20 po/lb).....	2
20	05045	Raccord fileté .....	1
21	0276363	Bride de cordon (dispositif de pied).....	1
	9850664	Bride de cordon (dispositifs de chariot)	
22	0295420	Cordon (dispositif de pied).....	1
	0295531	Cordon (dispositifs de chariot)	
22	9850938	Botte .....	1
23	0295676	Commutateur de briseur de circuit .....	1
25	9802896	Vis (couple de torsion: 20 po/lb).....	2
26	12440	Coude de 90° .....	1

## Español

Artículo	Pieza #	Descripción	Cantidad
1	0295426	Perilla de control de la presión .....	1
2	9822522	Anillo de retención .....	1
3	02712	Resorte .....	1
4	9800604	Tornillo .....	2
5	0295490	Interruptor de la presión .....	1
6	03662	Espaciador.....	1
7	9802895	Tornillo .....	2
8	0295415	Soporte .....	1
9	0295350	Empaque .....	1
10	0508441	Caja de controles (conjunto del pata)...	1
	0295472	Caja de controles (asambleas de carro)	
11	0295905	Conjunto de la válvula de Cebiar/Atomizar ...	1
12	9885568	El conector cortante.....	1
13	9871056	Anillo en O .....	1
14	0295902	Conjunto del transductor (aplique un par de torsión de 190 pulg./lb) .....	1
15	9871060	Anillo en O .....	1
16	9885562	Tapón (incluye artículo 15) (aplique un par de torsión de 20 pies/lb) .....	1
17	0295377	Inmersor.....	1
18	9850936	Interruptor .....	1
19	9802287	Tornillo (aplique un par de torsión de 25 pulg./lb) ....	2
20	05045	Niple.....	1
21	0276363	Refuerzo de tensión (conjunto del pata).1	
	9850664	Refuerzo de tensión (asambleas de carro)	
22	0295420	Juego de cables (conjunto del pata) ....	1
	0295531	Juego de cables (asambleas de carro)	
22	9850938	Bota .....	1
23	0295676	Interruptor de rompedor de circuito .....	1
25	9802896	Tapón (aplique un par de torsión de 20 pies/lb) .2	
26	12440	codo de 90° .....	1



# Fluid Section Assembly • Compartiment liquide • Conjunto de la sección de fluido



## English

Item	Part #	Description	Quantity
1	00302	Lock nut	1
2	0295361	Packing nut (torque to 25-30 ft./lbs.)	1
3	0295363	Upper spacer	1
4	0295378	Upper T-lip packing	1
5	0295368	Cylinder	1
6	0295379	Lower T-lip packing	1
7	0295362	Lower spacer	1
8	0295516	Piston	1
9	0295307	Outlet ball guide	1
10	50164	Outlet ball	1
11	13359	Outlet ball seat	1
12†	13481	Piston seat retainer (torque to 12 ft./lbs.)	1
13	0295366	O-ring	1
14	0295365	Inlet ball stop plate	1
15	0295300	Inlet ball guide	1
16	51799	Inlet ball	1
17	0295570	Inlet ball seat	1
18	0508315	O-ring	1
19	0295598	Inlet valve housing (torque to 85-95 ft./lbs.) (stand and low boy units)	1
20	0295364	Inlet valve housing (upright cart unit)	1
21	0295907	Packing guide tool (optional, not shown)	1

**NOTE:** Valve kit P/N 0295910 include those items marked with an \*.

Packing kit P/N 0295904 include those items marked with a +.

†Do not tighten the piston seat retainer (12) more than 12 ft./lbs.

## Français

Article	N° de pièce	Description	Quantité
1	00302	Contre-écrou	1
2	0295361	Écrou de serrage (couple de torsion: 25-30 pi/lb.)	1
3	0295363	Séparateur supérieur	1
4	0295378	Garniture de bec en té supérieur	1
5	0295368	Cylindre	1
6	0295379	Garniture de bec en té inférieur	1
7	0295362	Séparateur inférieur	1
8	0295516	Piston	1
9	0295307	Logement de la boule d'alimentation	1
10	50164	Boule d'alimentation	1
11	13359	Siège de la bille de sortie	1
12†	13481	Fixation de la cale du piston (couple de torsion: 12 pi/lb.)	1
13	0295366	Joint torique	1
14	0295365	Plaque d'arrêt de la bille d'entrée	1
15	0295300	Logement de la boule d'admission	1
16	51799	Boule d'admission	1
17	0295570	Cale de la boule d'admission	1
18	0508315	Joint torique	1
19	0295598	Logement de la soupape d'aspiration (la pied et unités basse de chariot)	1
20	0295364	Logement de la soupape d'aspiration (l'unité chariot)	1
21	0295907	Outil guide joint (en option, non illustré)	1

**NOTA :** L'ensemble de remplacement de la valve P/N 0295910 contient les articles marqués d'une \*.  
L'ensemble de remplacement des joints P/N 0295904 contient les articles marqués d'un +.

†Ne serrez pas la fixation de la cale du piston (12) plus de 12 pi/lb.

## Español

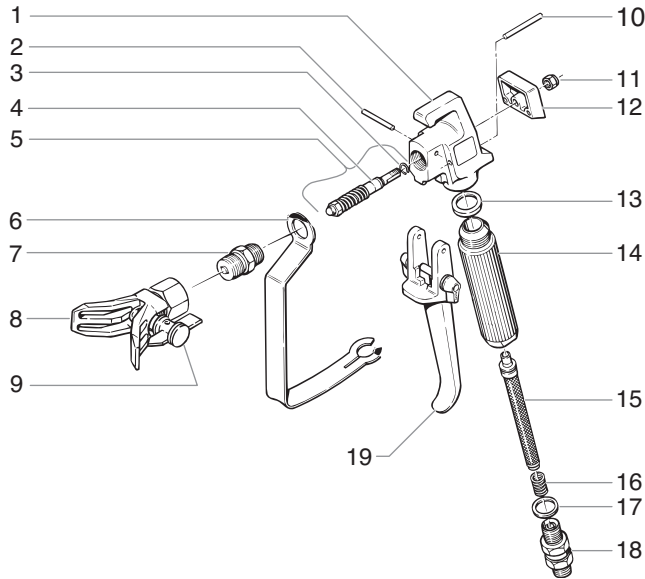
Artículo	Pieza #	Descripción	Cantidad
1	00302	Tuerca de seguridad	1
2	0295361	Tuerca de empaquetadura (par de torsión hasta de 25 a 30 pie/lb)	1
3	0295363	Espaciador superior	1
4	0295378	Empaquetadura superior de labio en forma de T	1
5	0295368	Cilindro	1
6	0295379	Empaquetadura inferior de labio en forma de T	1
7	0295362	Espaciador inferior	1
8	0295516	Pistón	1
9	0295307	Guía de la bola de salida	1
10	50164	Bola de salida	1
11	13359	Asiento de la bola de salida	1
12†	13481	Retenedor del asiento del pistón (aplique un par de torsión de 12 pie/lb)	1
13	0295366	Anillo en O	1
14	0295365	Placa de tope de la bola de entrada	1
15	0295300	Guía de la bola de entrada	1
16	51799	Bola de entrada	1
17	0295570	Asiento de la bola de entrada	1
18	0508315	Anillo en O	1
19	0295598	Cámara de la válvula de entrada (la pata y bajo carro)	1
20	0295364	Cámara de la válvula de entrada (la unidad del carro)	1
21	0295907	Herramienta guía de empaquetamiento (opcional, no se muestra)	1

**NOTA:** El juego de la válvula, no. de pieza (P/N) 0295910, incluye los artículos marcados con un asterisco (\*).

El juego de empaquetadura, no. de pieza (P/N) 0295904, incluye los artículos marcados con una cruz (+).

†No apretar el retenedor del asiento del pistón (12) más de 12 pie/lb.

# Spray Gun • Pistolet • Pistola de atomización (P/N 0502009)



## English

Item	Part #	Description	Quantity
1	-----	Gun housing .....	1
2	9930608	Pin.....	1
3	-----	Snap ring .....	1
4	0043211	Packing .....	1
5	0149700	Valve union assembly.....	1
6	0149319	Trigger guard .....	1
7	0149342	Diffuser .....	1
8	0297070	Tip guard.....	1
9	0550517	RC Tip assembly, 517.....	1
10	0508939	Sliding pin .....	2
11	9910201	Hex nut .....	1
12	0149352	Retainer block.....	1
13	0043303	Washer.....	1
14	0043301	Handle .....	1
15	-----	Filter, white.....	1
16	0043590	Spring .....	1
17	0043260	Washer.....	1
18	0347706	Swivel .....	1
19	0149211	Trigger assembly .....	1

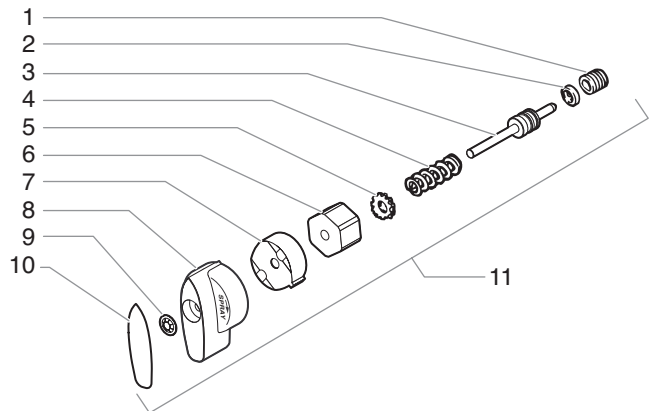
## Français

Article	N° de pièce	Description	Quantité
1	-----	Boîtier du pistolet.....	1
2	9930608	Goupille.....	1
3	-----	Jonc .....	1
4	0043211	Joint .....	1
5	0149700	Ensemble de joints .....	1
6	0149319	Protection de la gâchette.....	1
7	0149342	Diffuseur .....	1
8	0297070	Protection de la tête.....	1
9	0550517	Tête de pulvérisation RC, 517.....	1
10	9930818	Goupille coulissante.....	2
11	9910201	Écrou hexagonal.....	1
12	0149352	Cale de retenue .....	1
13	0043303	Rondelle.....	1
14	0043301	Poignée.....	1
15	-----	Filtre blanc .....	1
16	0043590	Ressort .....	1
17	0043260	Rondelle.....	1
18	0347706	Raccord orientable.....	1
19	0149211	Gâchette .....	1

## Español

Artículo	Pieza #	Descripción	Cantidad
1	-----	Caja de la pistola .....	1
2	9930608	Pasador.....	1
3	-----	Argolla de retención .....	1
4	0043211	Empaquetadura.....	1
5	0149700	Conjunto de empaquetadura .....	1
6	0149319	Protector del gatillo .....	1
7	0149342	Difusor.....	1
8	0297070	Protector del boquilla .....	1
9	0550517	Boquilla RC, 517 .....	1
10	9930818	Pasador deslizable.....	2
11	9910201	Tuerca hexagonal.....	1
12	0149352	Bloque retenedor.....	1
13	0043303	Rondana.....	1
14	0043301	Manubrio .....	1
15	-----	Filtro, blanco.....	1
16	0043590	Resorte.....	1
17	0043260	Rondana.....	1
18	0347706	Pivote .....	1
19	0149211	Conjunto del gatillo .....	1

# PRIME/SPRAY Valve Assembly • Valve amorçage/pulvérisation • Conjunto de la válvula de Cebiar/Atomizar (P/N 0295905)



## English

Item	Part #	Description	Quantity
1	0281316	Seat assembly (torque to 10-12 ft./lbs.)...1	1
2	0090523	O-ring.....	2
3	0508140	Stem/ball/O-ring assembly (includes item 2) .....	1
4	0036352	Spring .....	1
5	0090512	Star washer.....	1
6	0278312	Hex nut .....	1
7	0278303	Cam .....	1
8	0278304	Knob .....	1
9	9890112	Retaining clip .....	2
10	0508330	Label .....	1
11	0295905	PRIME/SPRAY valve assembly	1

**NOTE:** The valve seat assembly and o-rings can be maintained without disassembling the entire PRIME/SPRAY valve assembly. Using a wrench, loosen the hex nut and remove the PRIME/SPRAY valve assembly from the pressure control housing. This will allow access to the valve seat assembly and the o-rings. Torque the hex nut to 13-15 ft./lbs. during re-assembly.

## Français

Article	N° de pièce	Description	Quantité
1	0281316	Cale (couple de torsion: 20 pi/lb).....	1
2	0090523	Joint torique .....	2
3	0508140	Ensemble tige/boule (comprend le élément 2).....	1
4	0036352	Ressort .....	1
5	0090512	Rondelle à dents.....	1
6	0278312	Écrou .....	1
7	0278303	Came .....	1
8	0278304	Bouton .....	1
9	9890112	Pince de retenue .....	2
10	0508330	Étiquette.....	1
11	0295905	Valve amorçage/pulvérisation	

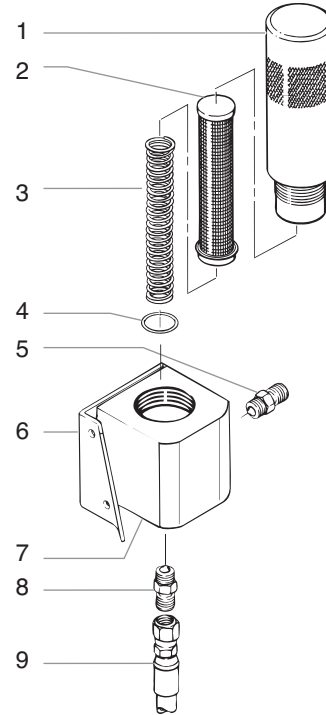
**NOTA:** L'entretien de l'assemblage du siège de soupape et des joints toriques peut être effectué sans que l'assemblage de la soupape PRIME/SPRAY ne soit complètement démonté. À l'aide d'une clef, desserrer l'écrou hexagonal et retirer l'assemblage de la soupape PRIME/SPRAY du boîtier régulateur de pression pour atteindre l'assemblage du siège de soupape et les joints toriques. Serrer l'écrou hexagonal au couple 13-15 lb-pi durant le remontage.

## Español

Artículo	Pieza #	Descripción	Cantidad
1	0281316	Conjunto del asiento (aplique un par de torsión de 10-12 pies/lb).....	1
2	0090523	Anillo en O .....	2
3	0508140	Conjunto de la varilla/bola (incluye artículo 2) .....	1
4	0036352	Resorte .....	1
5	0090512	Rondana de estrella .....	1
6	0278312	Tuerca.....	1
7	0278303	Leva .....	1
8	0278304	Perilla.....	1
9	9890112	Broque retenedor.....	2
10	0508330	Rótulo .....	1
11	0295905	Conjunto de la válvula de Cebiar/Atomizar	

**NOTA:** Se puede dar mantenimiento al ensamble del asiento de la válvula y los aro sellos sin desarmar todo el ensamble de válvulas PRIME/SPRAY (cebar/pintar). Usando una llave, afloje la tuerca hexagonal y quite el ensamble de válvulas PRIME/SPRAY (cebar/pintar) de la carcasa de control de presión. Esto permitirá el acceso al ensamble del asiento de válvulas y los aro sellos. Apriete la tuerca hexagonal a 13-15 pies/libras durante el re-ensamblado.

## Filter Assembly • Filtre • Conjunto del filtro (P/N 0295903)



## English

Item	Part #	Description	Quantity
1	0294194	Filter body	1
2	14069	Filter sieve	1
3	9894245	Filter sieve support	1
4	14072	O-ring	1
5	02518	Nipple	1
6	0508300	Filter bracket	1
7	0295380	Filter head	1
8	05045	Nipple	1
9	13549	Fluid hose	1

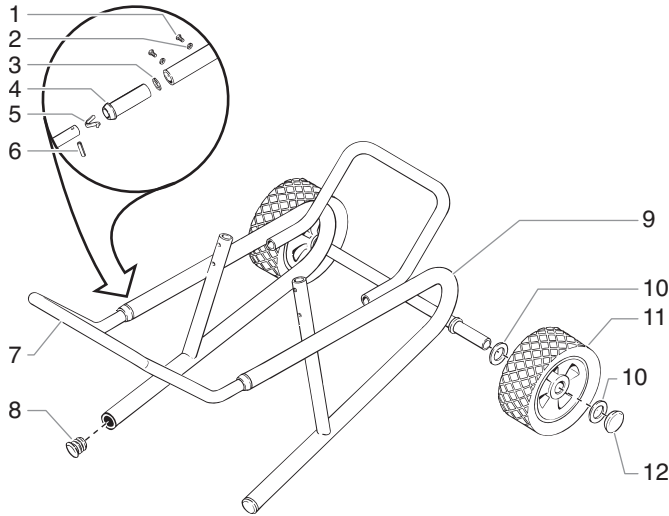
## Français

Article	N° de pièce	Description	Quantité
1	0294194	Logement du filtre.....	1
2	14069	Tamis filtrant.....	1
3	9894245	Support du tamis filtrant.....	1
4	14072	Joint torique .....	1
5	02518	Raccord fileté.....	1
6	0508300	Support de la tête de filtre .....	1
7	0295380	Tête de filtre.....	1
8	05045	Raccord fileté.....	1
9	13549	Flexibe d'alimentation en liquide .....	1

## Español

Artículo	Pieza #	Descripción	Cantidad
1	0294194	Cuerpo del filtro .....	1
2	14069	Criba del filtro .....	1
3	9894245	Soporte de la criba del filtro.....	1
4	14072	Anillo en O .....	1
5	02518	Niple.....	1
6	0508300	Soporte de la cabeza del filtro.....	1
7	0295380	Cabeza del filtro.....	1
8	05045	Niple.....	1
9	13549	Manguera de fluido .....	1

**Low Boy Cart Assembly •  
Dispositif de basse chariot •  
Conjunto del bajo carro**



**English**

Item	Part #	Description	Quantity
1	0295608	Screw.....	4
2	0509386	Lock washer.....	4
3	0295609	Flat washer.....	2
4	0295607	Sleeve, handle.....	2
5	9841504	Button, snap.....	2
6	0295610	Pin, roll.....	2
7	0507382	Handle.....	1
8	9885571	Plug.....	2
9	0507157	Cart.....	1
10	0294534	Spacer.....	4
11	0270394	Wheel.....	2
12	9890104	Cap.....	2

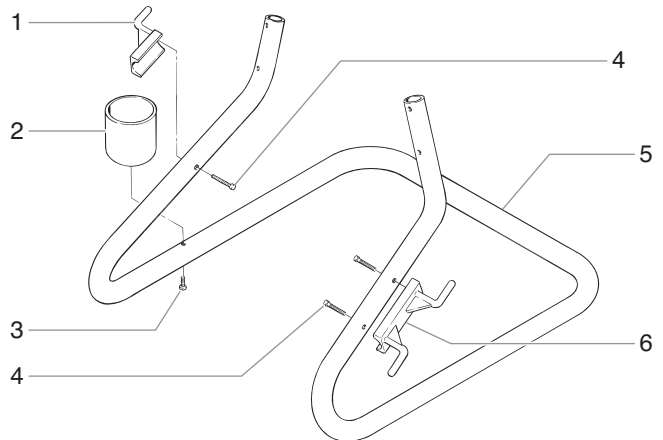
**Français**

Article	N° de pièce	Description	Quantité
1	0295608	Vis.....	4
2	0509386	Rondelle de sécurité.....	4
3	0295609	Rondelle plate.....	2
4	0295607	Manche de poignée.....	2
5	9841504	Bouton d'enclenchement.....	2
6	0295610	Goupille rouleau.....	2
7	0507382	Poignée.....	1
8	9885571	Prise.....	2
9	0507157	Chariot.....	1
10	0294534	Rondelle d'espacement.....	4
11	0270394	Roue.....	2
12	9890104	Chapeau.....	2

**Español**

Artículo	Pieza #	Descripción	Cantidad
1	0295608	Tornillo.....	4
2	0509386	Rondana de seguridad.....	4
3	0295609	Rondana, plana.....	2
4	0295607	Manga de asa.....	2
5	9841504	Botón, a presión.....	2
6	0295610	Pasador de rollo.....	2
7	0507382	Mango.....	1
8	9885571	Tapón.....	2
9	0507157	Carro.....	1
10	0294534	Espaciador.....	4
11	0270394	Rueda.....	2
12	9890104	Tapa.....	2

**Stand Assembly •  
Dispositif de pied •  
Conjunto del pata**



**English**

Item	Part #	Description	Quantity
1	0508376	Clip.....	1
2	0508381	Drip cup.....	1
3	9805230	Screw.....	1
4	9802231	Screw.....	3
5	0295724	Stand.....	1
6	0508377	Cord wrap.....	1

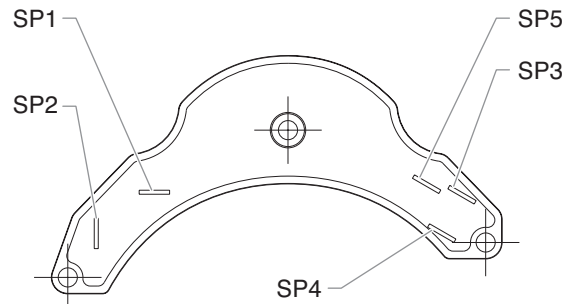
**Français**

Article	N° de pièce	Description	Quantité
1	0508376	Pince.....	1
2	0508381	Détendeur de goutte de peinture.....	1
3	9805230	Vis.....	1
4	9802231	Vis.....	3
5	0295724	Pied.....	1
6	0508377	Attache de cordon.....	1

**Español**

Artículo	Pieza #	Descripción	Cantidad
1	0508376	Broque.....	1
2	0508381	Taza de goteo.....	1
3	9805230	Tornillo.....	1
4	9802231	Tornillo.....	3
5	0295724	Pata.....	1
6	0508377	Amarra.....	1

**Relay Diagram • Diagramme de relais •  
Relé**



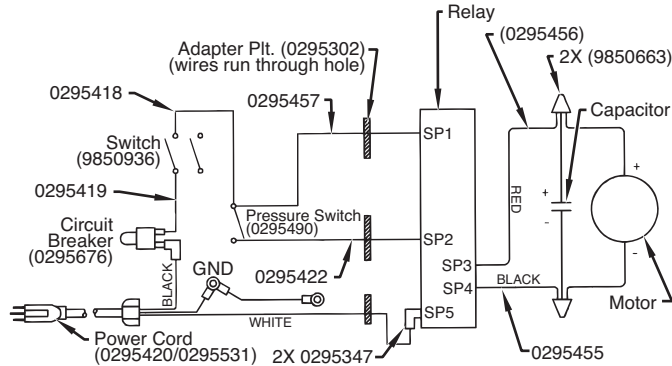


# Pressure Control Assembly Wiring Diagram • Dispositif de réglage de la pression connectant le diagramme • Conjunto del control de la presión el diagrama de instalación alámbrica

English

**⚠ WARNING**

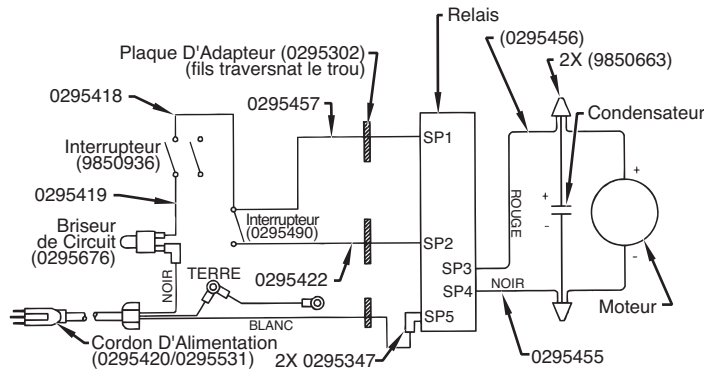
**ELECTRIC SHOCK HAZARD - Live electrical wires when switch is "OFF". Unplug power cord before servicing.**



Français

**⚠ AVERTISSEMENT**

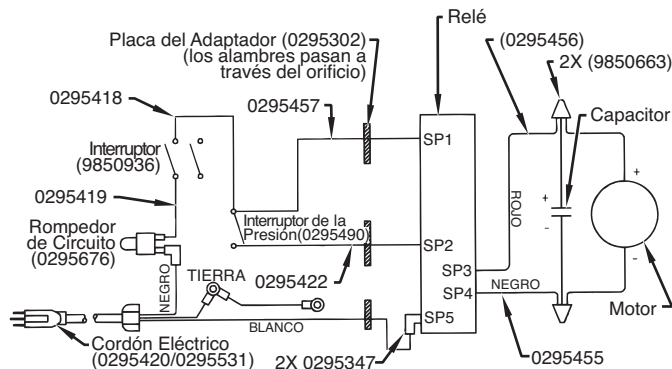
**DANGER DE CHOC ÉLECTRIQUE - Les fils électriques sont sous tension quand le commutateur est en position arrêt. Débranchez l'appareil avant réparation.**



Español

**⚠ ADVERTENCIA**

**PELIGRO DE ELECTROCUCION - Los alambres tienen corriente eléctrica cuando el interruptor está apagado. Desenchufe el cordón antes de hacer reparaciones.**



# Notes/Nota

# Notes/Nota

## **SprayTECH**



1770 Fernbrook Lane  
Minneapolis, MN 55447

Technical Assistance: 1-800-292-4637

Order Entry: 1-800-443-4500

Fax: 1-800-525-9501

**[www.spraytechinc.com](http://www.spraytechinc.com)**

---