

COBISS[®]

Co-operative Online Bibliographic System & Services

VIF - Maintenance of computer systems
infrastructure

Epson TM-T20II User Guide

VIF-NA-EN-115, V2.0

Institute of Information Science, Maribor, Slovenia

IZUM[®]

© IZUM, 2015

COBISS, COMARC, COBIB, COLIB, IZUM are registered trademarks owned by IZUM.

CONTENTS

1	Printer description.....	1
2	Connecting the printer	2
3	Printer use	3
3.1	Installing roll paper	3
3.2	Cleaning the thermal head.....	4
4	Technical specifications	5
5	Driver installation and printer settings	5
5.1	Driver installation.....	5
5.2	Setting up the printer IP address via the network connection	8
5.3	Printer settings.....	10
6	Using the printer within the COBISS3 system.....	12
6.1	COBISS2.....	12
6.2	COBISS3.....	13

FIGURES

Figure 1: Contents of printer package.....	1
Figure 2: Printer parts	2
Figure 3: Interface types	2
Figure 4: Power supply connection.....	3
Figure 5: Opening the cover and installing the roll paper.....	3
Figure 6: Closing the roll paper cover	4
Figure 7: Thermal head	4
Figure 8: Technical specifications of the printer	5
Figure 9: Epson TM-T20II software	6
Figure 10: Installation type	6
Figure 11: Installation confirmation	7
Figure 12: Checking printer connection.....	7
Figure 13: Installation finished	8
Figure 14: Epson Net Config tool	9
Figure 15: Basic printer IP settings.....	9
Figure 16: Printer dialogue window.....	10
Figure 17: TM-T20II Utility window	10
Figure 18: Current settings window.....	11
Figure 19: Font settings window.....	11

1 Printer description

The following items are included in the printer package:

1. printer
2. installation disc
3. AC adapter 220V
4. AC cable 220V
5. USB interface cable
6. accessories for wall mounting and vertical installation

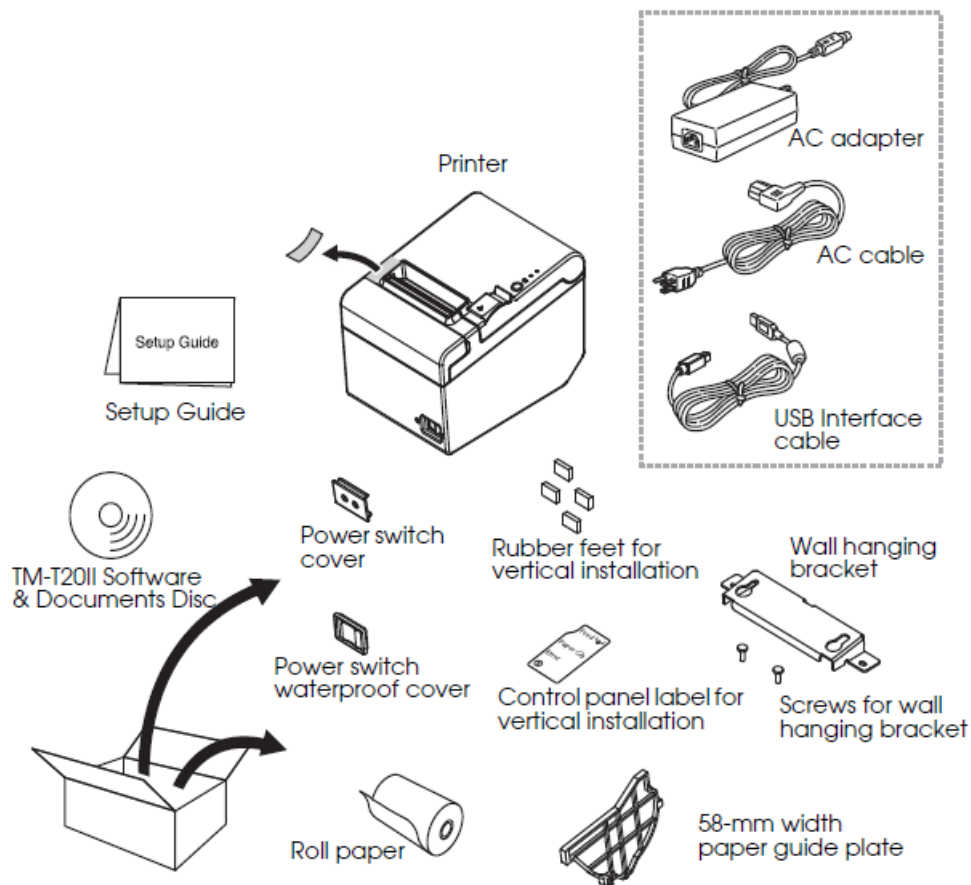


Figure 1: Contents of printer package

Part names:

1. roll paper cover
2. cutter cover

3. power switch
4. cover open lever
5. control panel

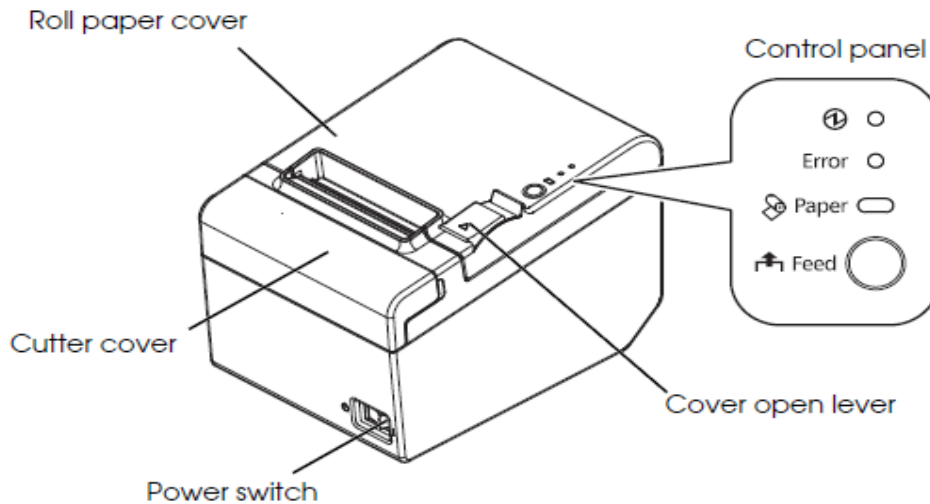


Figure 2: Printer parts

2 Connecting the printer

The printer can have the following interfaces:

1. RS-232 serial interface
2. USB interface
3. 10BASE-T/100BASE-TX Ethernet interface
4. drawer kick-out connector

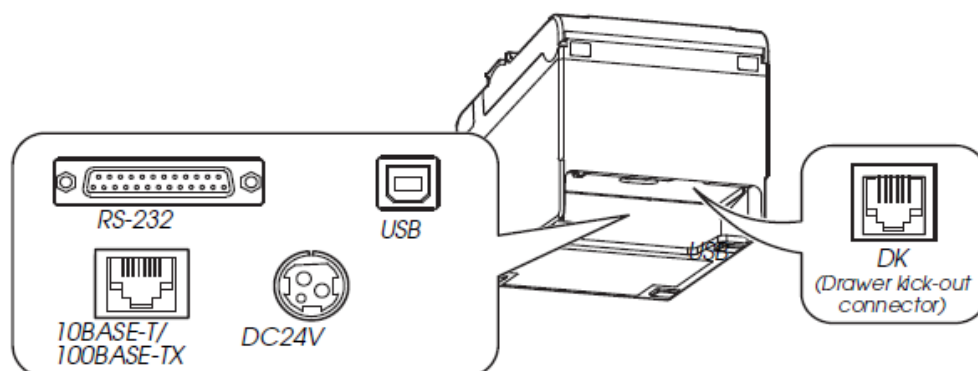


Figure 3: Interface types

Connect the AC cable to DC24V (see Figure 3 and Figure 4).

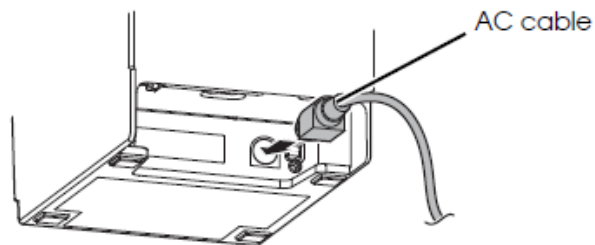


Figure 4: Power supply connection

3 Printer use

3.1 Installing roll paper

How to install the roll paper correctly:

1. Use the cover open lever to open the roll paper cover. Insert the roll paper facing in the right direction (see Figure 5).

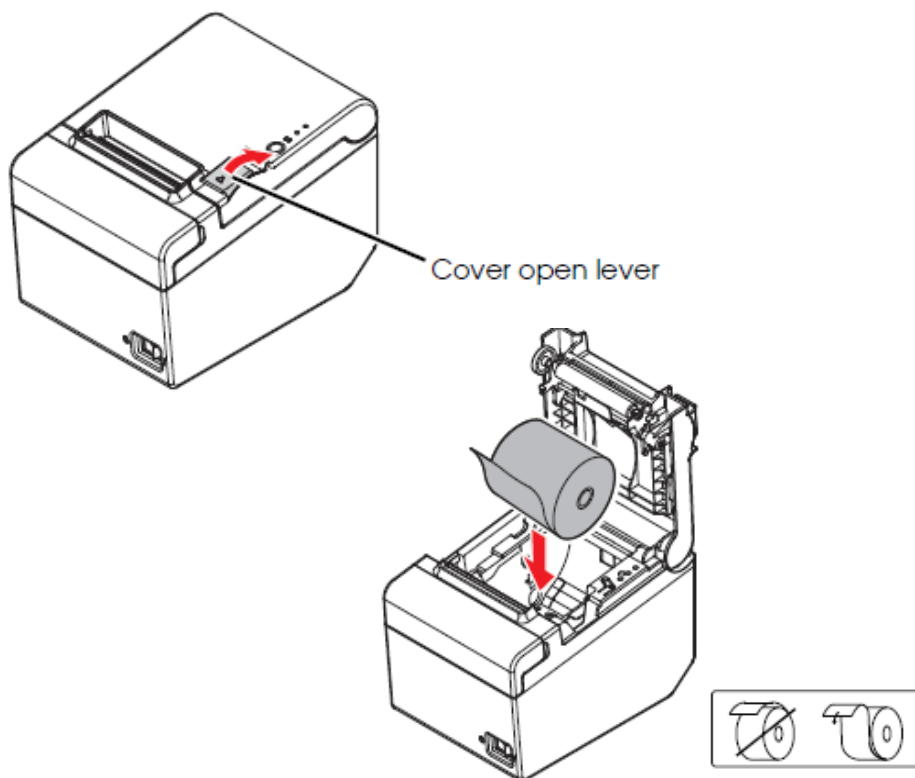


Figure 5: Opening the cover and installing the roll paper

2. Pull out some paper and close the roll paper cover. When the printer power is on, the roll paper is automatically cut.

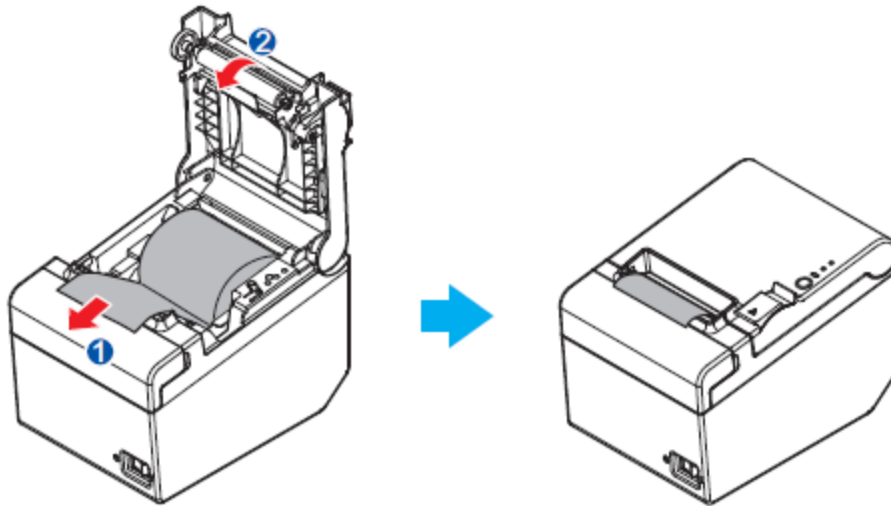


Figure 6: Closing the roll paper cover

3.2 Cleaning the thermal head

The manufacturer recommends cleaning the thermal head periodically every three months of regular daily use.

Cleaning procedure:

Turn off the printer and open the roll paper cover. The thermal head can be very hot after printing; let it cool before you clean it. Clean the thermal head with a cotton cloth moistened with alcohol solvent (ethanol or IPA) (see Figure 7).

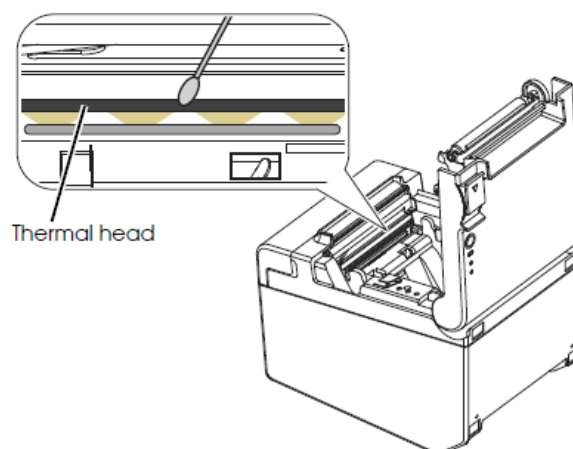


Figure 7: Thermal head

4 Technical specifications

		80 mm paper width	58 mm paper width ¹
Printing method		Thermal line printing	
Printing speed		200 mm/s {7.87"/s} max.; 53.3 lps (3.75 mm {0.15"} feed) Ladder bar code and 2D symbol: 100 mm/s {3.93"/s}	
		The above speed values are approximate. The values are when the printer prints with density "Normal" at 25°C {77°F}. Speed is adjusted automatically depending on the voltage applied and head temperature.	
Roll paper (single-ply)	Width	79.5 mm ± 0.5 mm {3.13" ± 0.02"}	57.5 mm ± 0.5 mm {2.26" ± 0.02"}
	Diameter	Maximum outside diameter: 83 mm {3.27"}	
	Spool	Spool diameter: Inside: 12 mm {0.47"}; Outside: 18 mm {0.71"}	
Thermal paper type		NTP080-80	NTP058-80
Interface		Serial (RS-232)/Ethernet (10BASE-T/100BASE-TX)/USB (Compliance: USB 2.0, Communication speed: Full-speed (12 Mbps))	
Power supply³		DC + 24 V ± 7%	
Temperature		Operating: 5 to 45°C {41 to 113°F} Storage: -10 to 50°C {14 to 122°F}, except for paper	
Humidity		Operating: 10 to 90% RH Storage: 10 to 90% RH, except for paper	
Overall dimensions		140 × 199 × 146 mm {5.75 × 5.51 × 7.83"} (W × D × H)	
Weight (mass)		Approx. 1.7 kg {3.74 lb}	

Figure 8: Technical specifications of the printer

5 Driver installation and printer settings

5.1 Driver installation

For printer driver installation, use the enclosed CD and follow the steps below:

1. Start the TMInstallNavi.exe installation software (if it doesn't run automatically once you insert the CD in the computer).

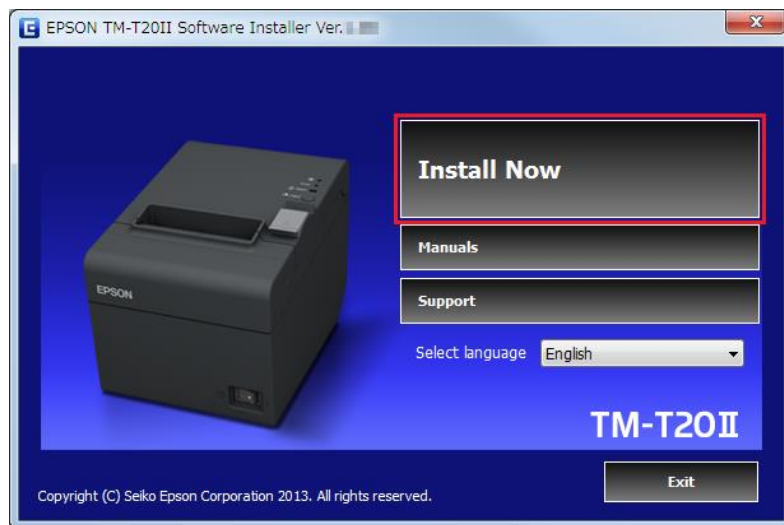


Figure 9: Epson TM-T20II software

2. Confirm the **Licence Agreement** by reading it, select **I accept the terms in the licence agreement** and press **Next**.
3. The **Select Installation Type** screen will be displayed. Click **Easy Install**.

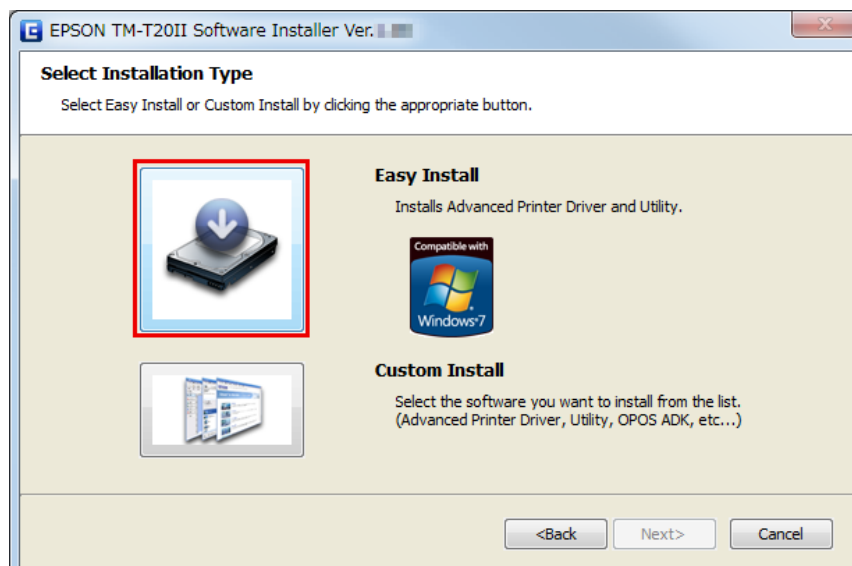


Figure 10: Installation type

4. The **Communication Port Settings** window will be displayed, where you can select from:
 - a. serial connection
 - b. USB connection
 - c. network (Ethernet) connection

Usually you can choose between USB and network connection. If you select USB, the installation software will offer to finish the installation. Confirm by clicking the **Install** button.

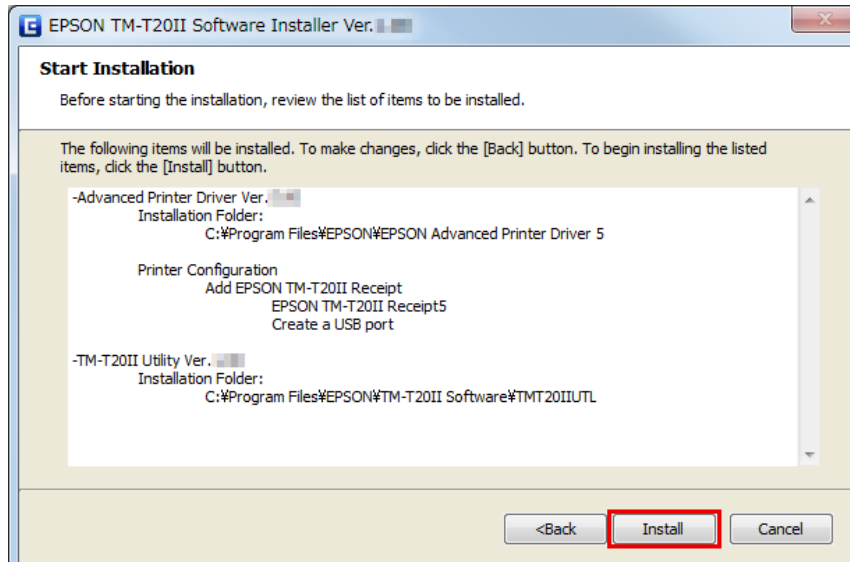


Figure 11: Installation confirmation

5. The **Connect Printer** screen will be displayed.

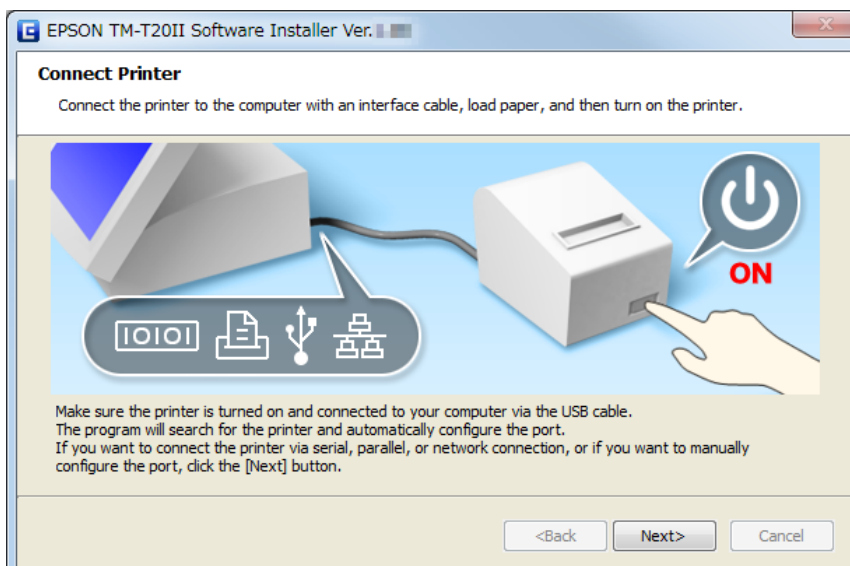


Figure 12: Checking printer connection

Driver installation will run automatically. If the printer is not connected, click **Next**.

6. When the installation is finished, the final **Installation Finished** screen will be displayed.

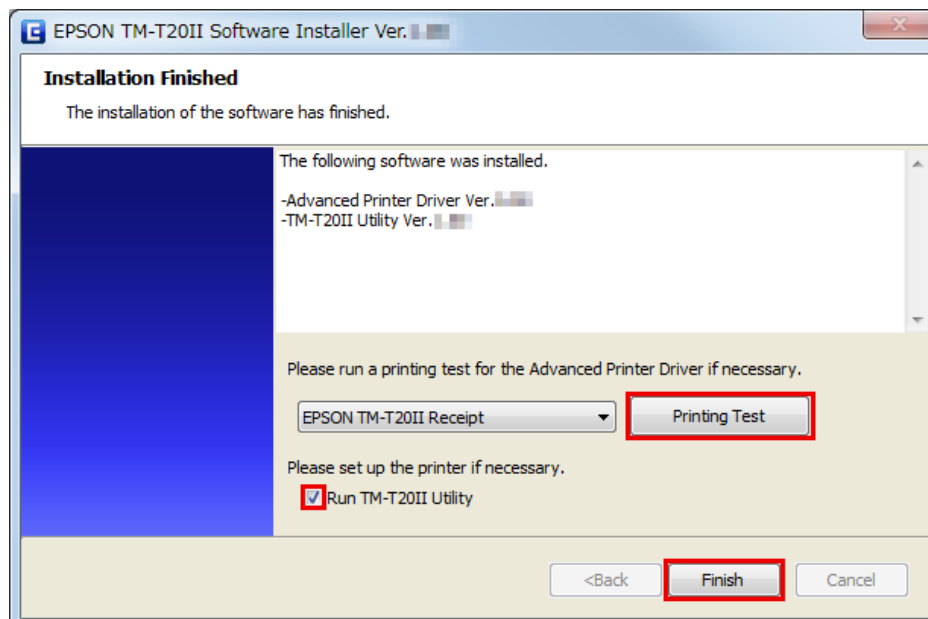


Figure 13: Installation finished

To finish installing the USB driver, click the **Finish** button. The printer is installed in the WIN system under the following name: EPSON TM-T20II Receipt.

5.2 Setting up the printer IP address via the network connection

The printer IP address (*Only possible for the version with network interface!*) can be set up by using the EpsonNet Config tool on the enclosed CD. If EpsonNet Config is already installed, run it by clicking **Start – All Programs – EpsonNet – EpsonNet Config Vx – EpsonNet Config**.

1. Check if the printer is on the list. If it doesn't appear, click **Refresh**.

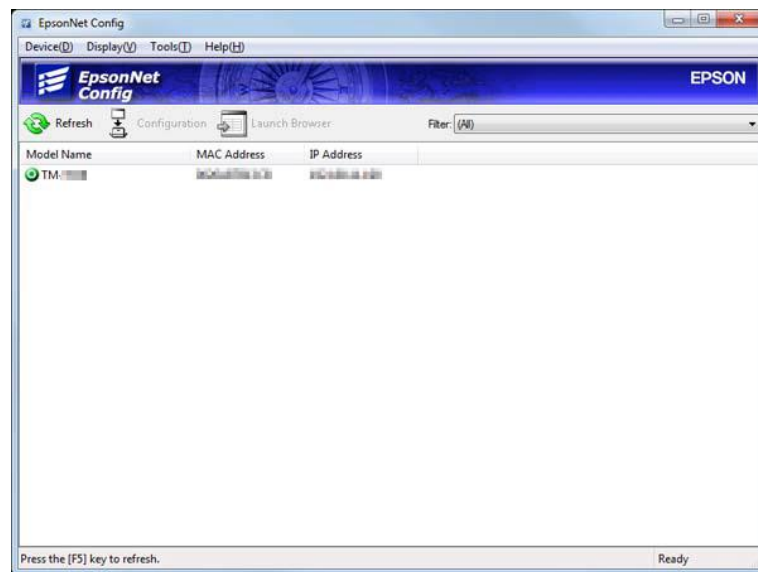


Figure 14: Epson Net Config tool

2. Select the printer from the list and click **Configuration**. Select **Network Interface – TCP/IP – Basic**. Select the options **Manual** and **Set using PING**. Set up the IP address, the subnet mask and the default gateway.

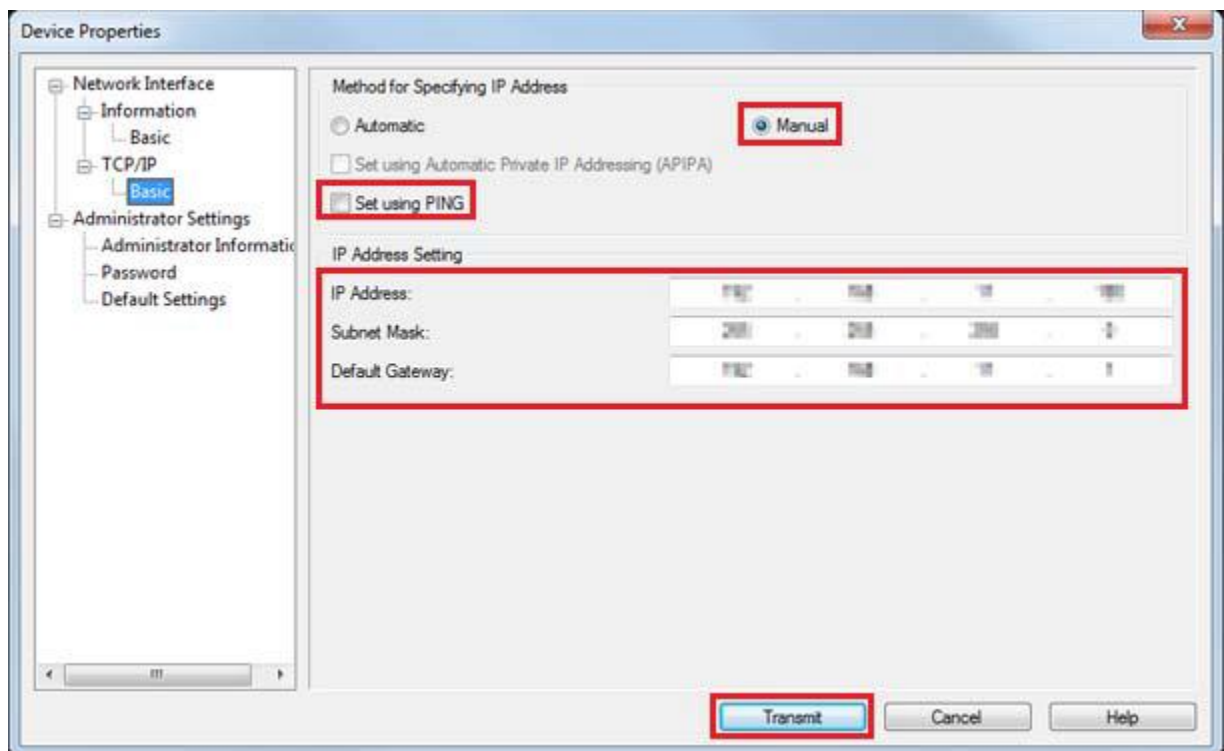


Figure 15: Basic printer IP settings

3. Finally, click **Transmit**. The settings will be transmitted to the printer. Click **OK** in the dialog window that will appear.

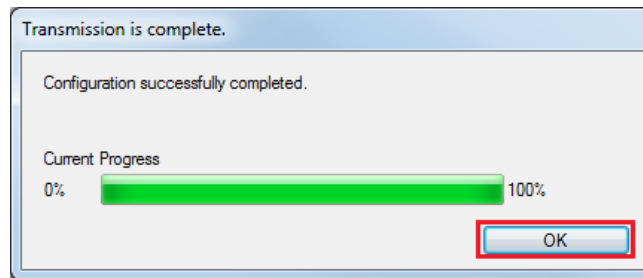


Figure 16: Printer dialogue window

4. Close the EpsonNet Config software.

5.3 Printer settings

Printer settings are managed with the TM-T20II Utility tool. Run **Start – All Programs – EPSON – TM-T20II Software – TM-T20II Utility**.

The TM-T20II Utility tool window will be displayed:

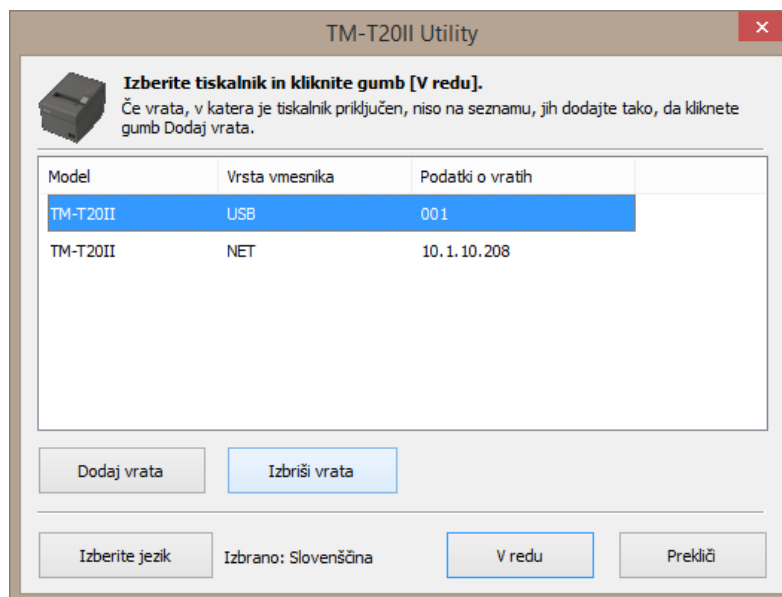


Figure 17: TM-T20II Utility window

Select the installed printer (indicated in blue) and confirm your selection by clicking the **OK** button. The **Current settings** window will open.

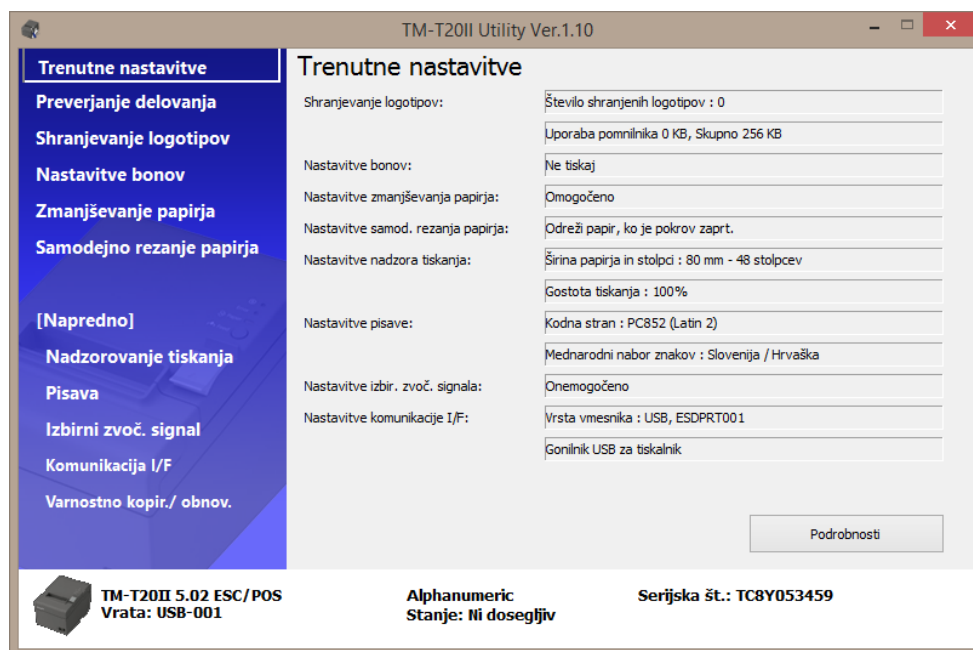


Figure 18: Current settings window

Under **Font settings**, the settings should be as follows:

- Code page: PC852 (Latin 2)
- International character set: Slovenija / Hrvaška

If the displayed settings are different, click the **Font** button. Set the parameters in the window that will open:

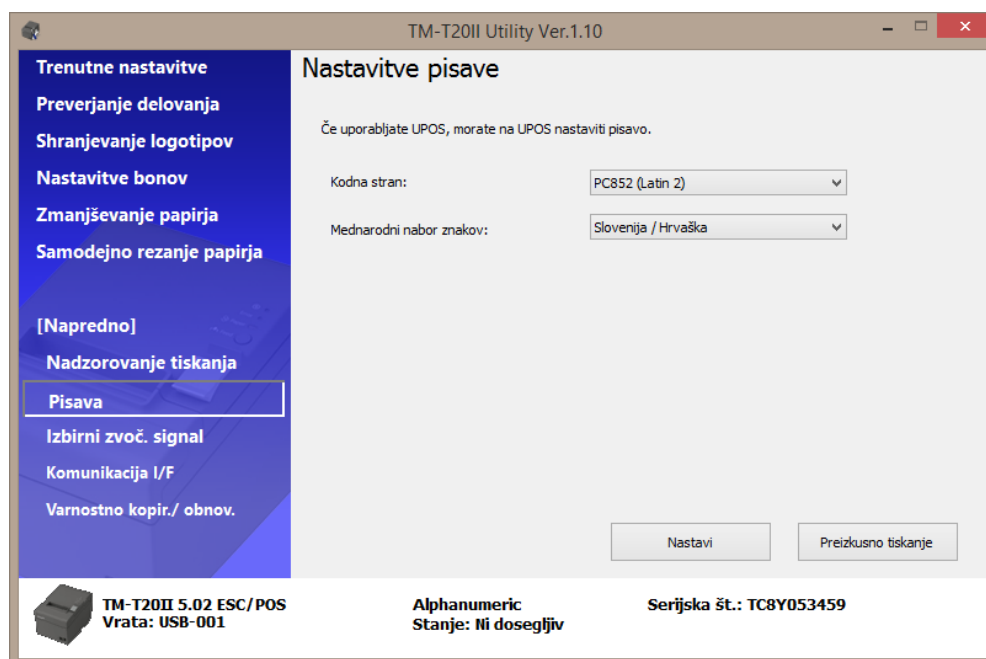


Figure 19: Font settings window

By clicking the **Set** button, the settings are reflected to the printer. A dialogue window will open and you will hear the printer click.

Close the application.

6 Using the printer within the COBISS3 system

6.1 COBISS2

To use the printer in the COBISS2 system, use driver number 23.

The screenshot shows a window titled "COBISS/Connect" with a menu bar containing "Povezovanje", "Nastavitve", "Pripomočki", "Multimedijsko gradivo", and "Pomoč". The window displays a terminal-like interface with the following text:

```

COBISS2/Izposoja (Odd.20)          Nastavitev parametrov          26.10.2015

Na osnovnem nivoju lahko izvajamo ukaze:

Keypad: application                Prefix: ID,TI,AU,PY,LA
Interpret: COBISS                  Format: BIB,SHOR,COPY,FULL,L51
Keyboard: QWERTY                   Expand code: yes
Start level: 7                     Hold format: semicolon
Exit level: 1 low                  Bold subfield: yes
Language: slv                       Key help: no
> Printer: 23 ESC/POS Emulation (CP 852) Non-stop help: no
Queue: 00 (none,Form=none)         Bold attr.: Enabled
Condensed: no                       Fast exit: no
List divide: word                   Hold level: 2 (1+YE)
Def. card format: 00                Def. type: M
Key repeat: yes                     Script: Cyr OFF Greek OFF OldCyr OFF
Cir search limit: none              Broadcast:  PHONE  MAIL NOJOB
Cir print debt: local               Line mode: no
Cir print eti: local                Add FF to printout: no
Automatic display: no

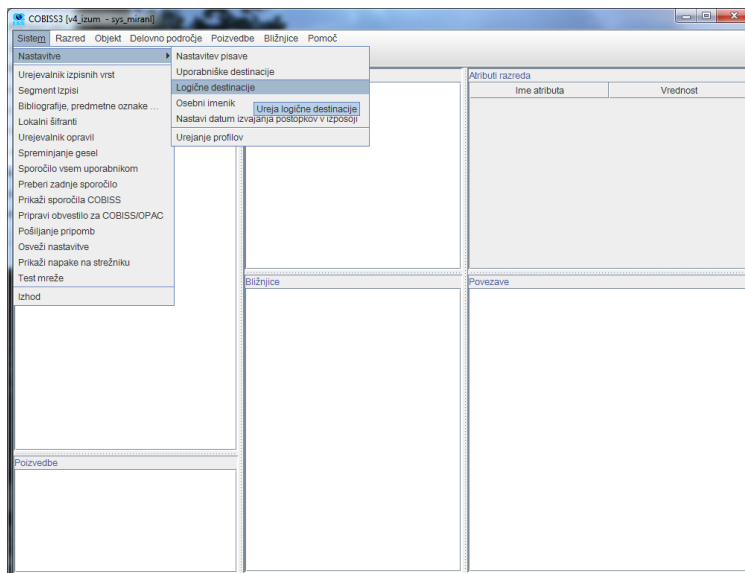
MKL::SYSTEM

Ukaz: set up

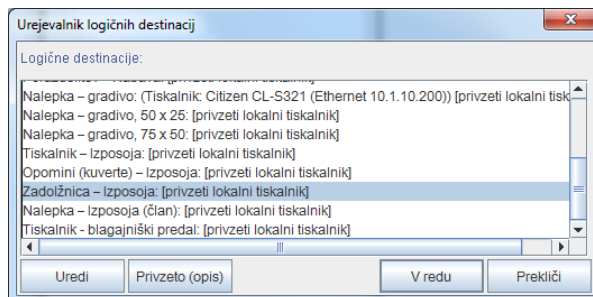
10:15:17 10/26/2015          CAPS  SHIFT  CTRL  ALT
  
```


6.2 COBISS3

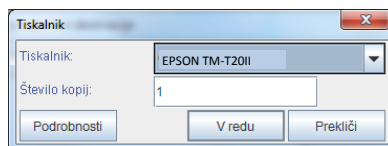
In the COBISS3 software in the logical destinations, select the printer you intend to use for printing lending forms. Select **System / Settings / Logical destinations**.



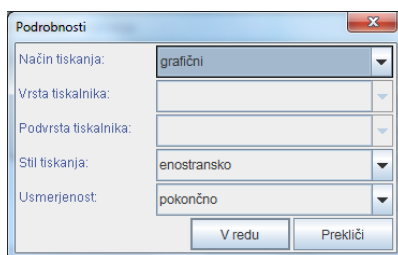
The **Logical destinations editor** window will open, where you select the option *Lending form – Loan: [default local printer]* and click the **Edit** button.



The **User destinations** window will open. Click the **Add printer** button. In the new window, select the **Epson TM-T20II** printer, which you intend to use for printing lending forms, from the drop-down list.



Once you select the printer, click the **Details** button to check if the detailed settings for this type of printer are correct. Lending forms are printed in the graphics printing mode.



When you define the settings, confirm every selection by clicking the **OK** button. When you are finished, click **Refresh settings** in the **System** menu. If that option is not available, refresh the new settings by logging out and the re-logging into the COBISS3 software.

