



## Equipment information and assembly guide for your AT&T Service

Please ensure that you have set-up the equipment before the date scheduled with your AT&T Order Manager for Test and Turn Up of your site

# What's in the Box

The following components are included in your router package:



Site Documentation Package



Cisco 1921 Router



USRobotics V.Everything 56K Analog Corporate Modem



RJ11 modem cable  
Labelled ISE644



RJ48 Cable  
Labelled ISE642



Router power cable



Modem power cable



Console Cable

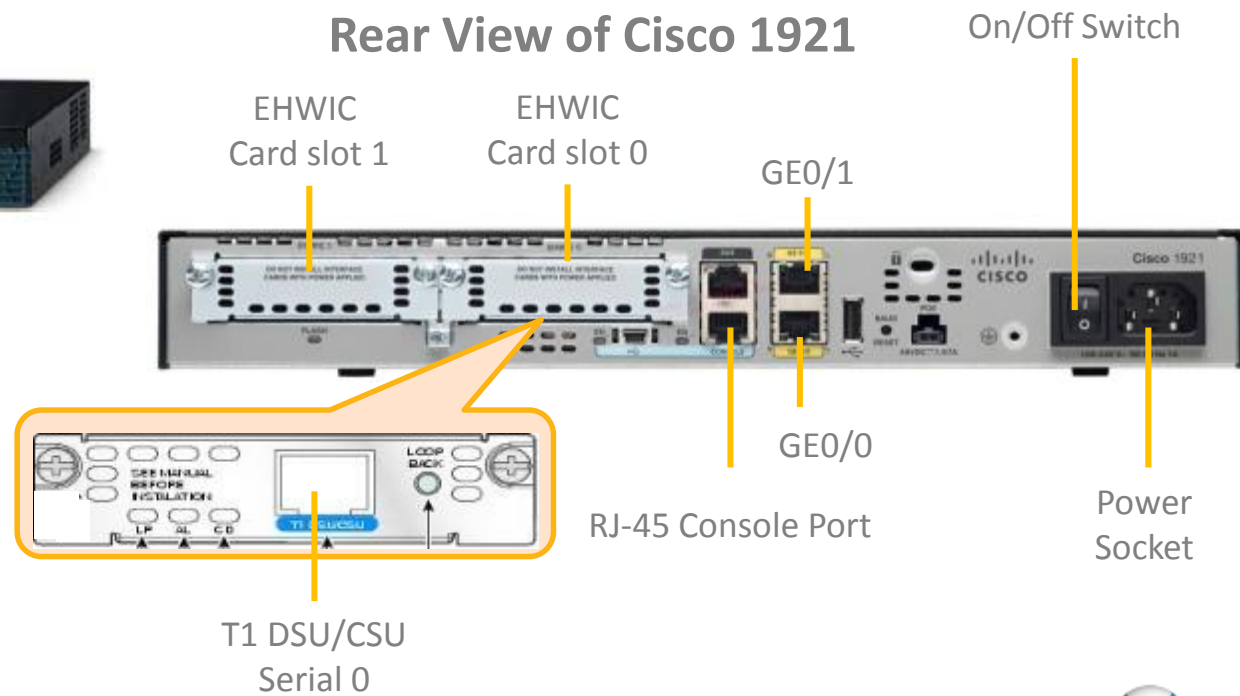


# Understanding your Router

## Front View of Cisco 1921



## Rear View of Cisco 1921

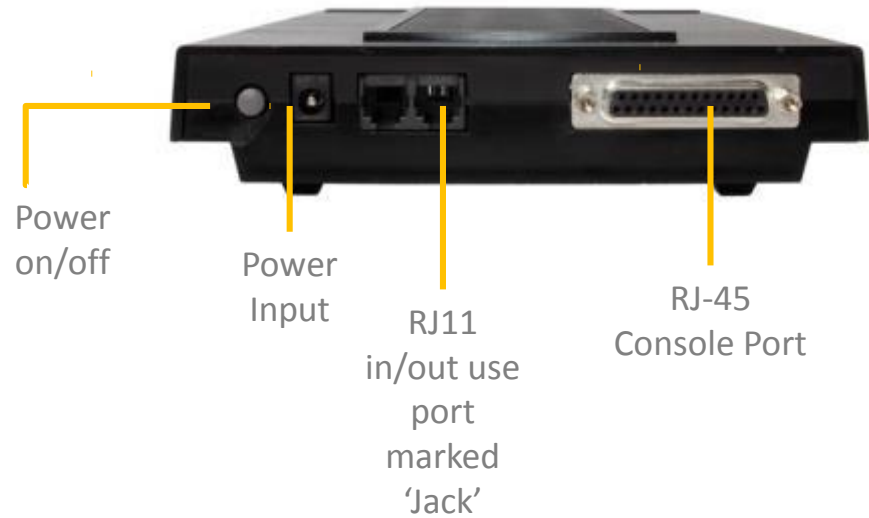


# Understanding your Modem

## Front View of modem

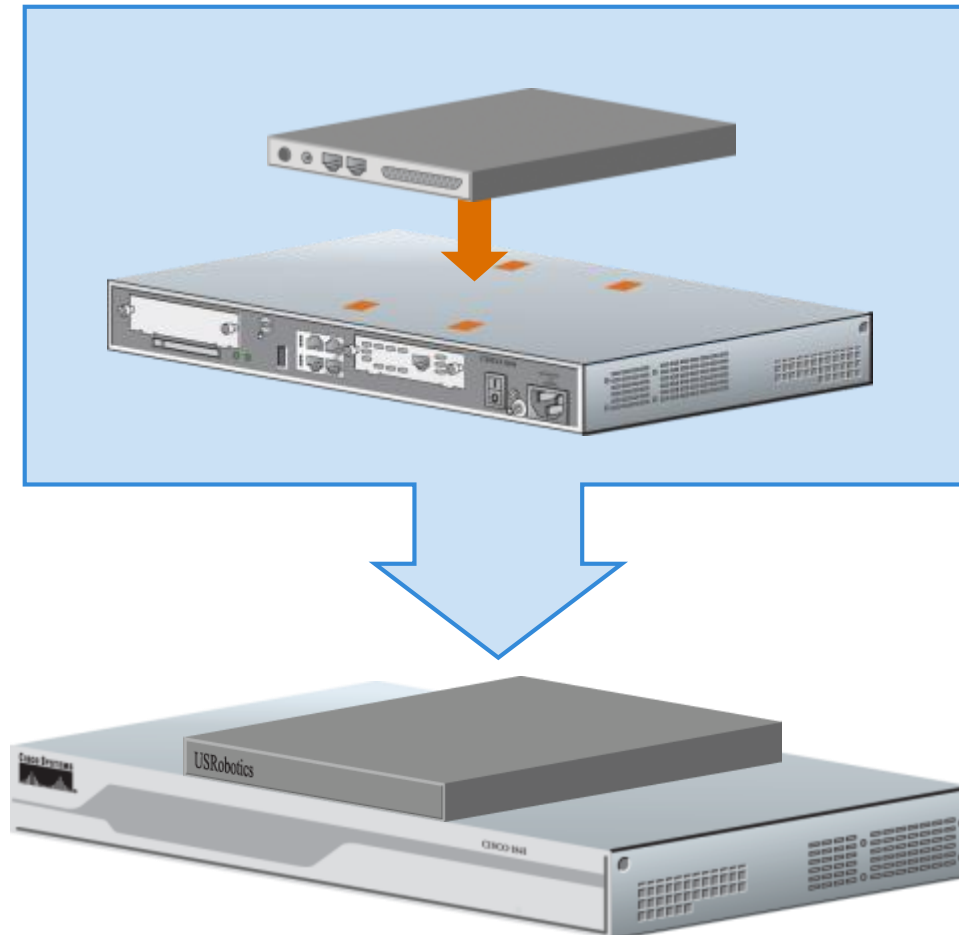


## Rear View of modem



# Step 1 Secure Modem

Secure modem on top of router – with front face of modem and front face of router facing outwards



# Step 2 Attach Power Cables to Router and Modem

Plug in power cord to router

Plug in power cord to modem



To power  
receptacle

To power  
receptacle



# Step 3 Connect POTS to Modem and Console Cable to Router

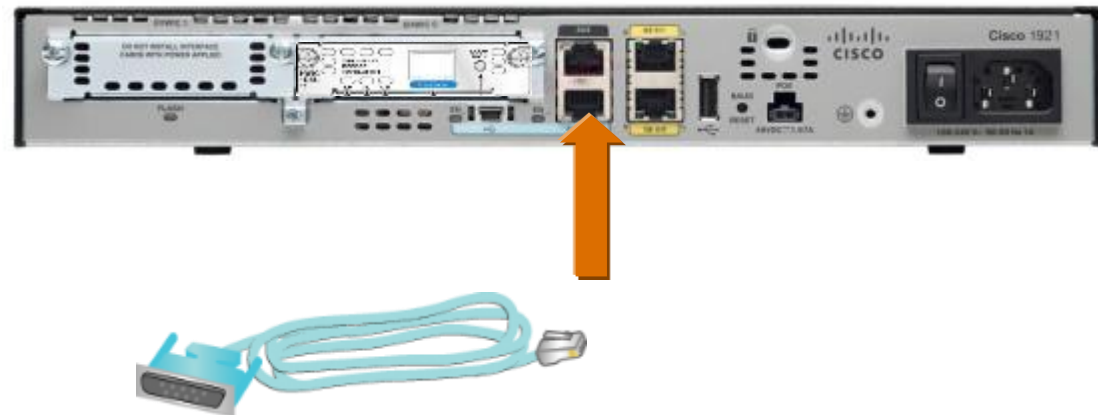
Connect telephone line (analog POTS line) from modem to wall jack using



RJ11 modem cable  
Labelled ISE644

To wall jack

Connect console cable to the lower left, blue-edged console port in router



## Step 4 Connect Console Cable to Modem

Connect console cable to modem

If there are dual routers and a Call Director refer to Service Director Assembly Guide for alternate step 4





# Step 5 Connect Router to Access Circuits

Connect T1 circuit to port in EHWIC card slot per instructions in your Site Documentation Package.



Cable labelled ISE642



To smart jack



## Step 6 Connect Router to your Local Network

For connection, plug your Ethernet cable RJ45 into GE0/1 port on back of router (Upper right) or per instructions in your Site Documentation Package.



Customer provide  
LAN Cable

Other end of Ethernet cable can be plugged into server, computer, private network, etc.

**Power on installed equipment.**

