

ESP-WROVER-KIT

Getting Started Guide



Version 1.2
Copyright © 2016

About This Guide

This document introduces how to use the ESP-WROVER-KIT development board. The document is structured as follows:

Chapter	Title	Content
Chapter 1	Overview	An overview of the ESP-WROVER-KIT.
Chapter 2	Block Diagram and PCB Layout	The block diagram and PCB layout of the ESP-WROVER-KIT.
Chapter 3	Functional Description	A detailed description of the modules/interfaces featured on the ESP-WROVER-KIT.
Chapter 4	Basic Operation	Presentation of how to power up the board and enable specific functionalities.
Chapter 5	Compilation and Download	Presentation of how to compile and download BIN files to the ESP-WROVER-KIT by using <i>example/01_hello_world</i> in ESP-IDF as an example.

Release Notes

Date	Version	Release notes
2016.12	V1.0	Initial release.
2016.12	V1.1	Added "Notice" in Section 5.3.1.
2017.01	V1.2	Added "Notice" in Chapter 1.

Related Resources

You may find the following resources helpful.

Resource	Web link
<i>ESP32 Datasheet</i>	http://www.espressif.com/sites/default/files/documentation/esp32_datasheet_en.pdf
<i>ESP-WROOM-32 Datasheet</i>	http://www.espressif.com/sites/default/files/documentation/esp_wroom_32_datasheet_en.pdf
<i>ESP-IDF Getting Started Guide</i>	http://www.espressif.com/sites/default/files/documentation/esp-idf_getting_started_guide_en.pdf
<i>OpenOCD User Guide</i>	https://github.com/espressif/openocd-esp32

Table of Contents

1. Overview	1
2. Block Diagram and PCB Layout	2
2.1. Block Diagram.....	2
2.2. PCB Layout	2
3. Functional Description	4
4. Basic Operation	7
5. Compilation and Download.....	10
5.1. Getting ESP-IDF.....	10
5.2. ESP-IDF Directory Structure	10
5.3. The hello_world Example	11
5.3.1. Using the ESP32 DOWNLOAD TOOL	11
5.3.2. Using esptool.....	13



1.

Overview

The ESP-WROVER-KIT is a newly-launched development board built around ESP32. This board is compatible with ESP32 modules, including the ESP-WROOM-32 and ESP32-WROVER. The ESP-WROVER-KIT features support for an LCD and MicroSD card. The I/O pins have been led out from the ESP32 module for easy extension. The board carries an advanced multi-protocol USB bridge (the FTDI FT2232HL), enabling developers to use JTAG directly to debug the ESP32 through the USB interface. The development board makes secondary development easy and cost-effective.

⚠ Notice:

ESP-WROVER-KIT integrates the ESP-WROOM-32 module by default.

The ESP-WROVER-KIT dimensions are shown in the figure below.

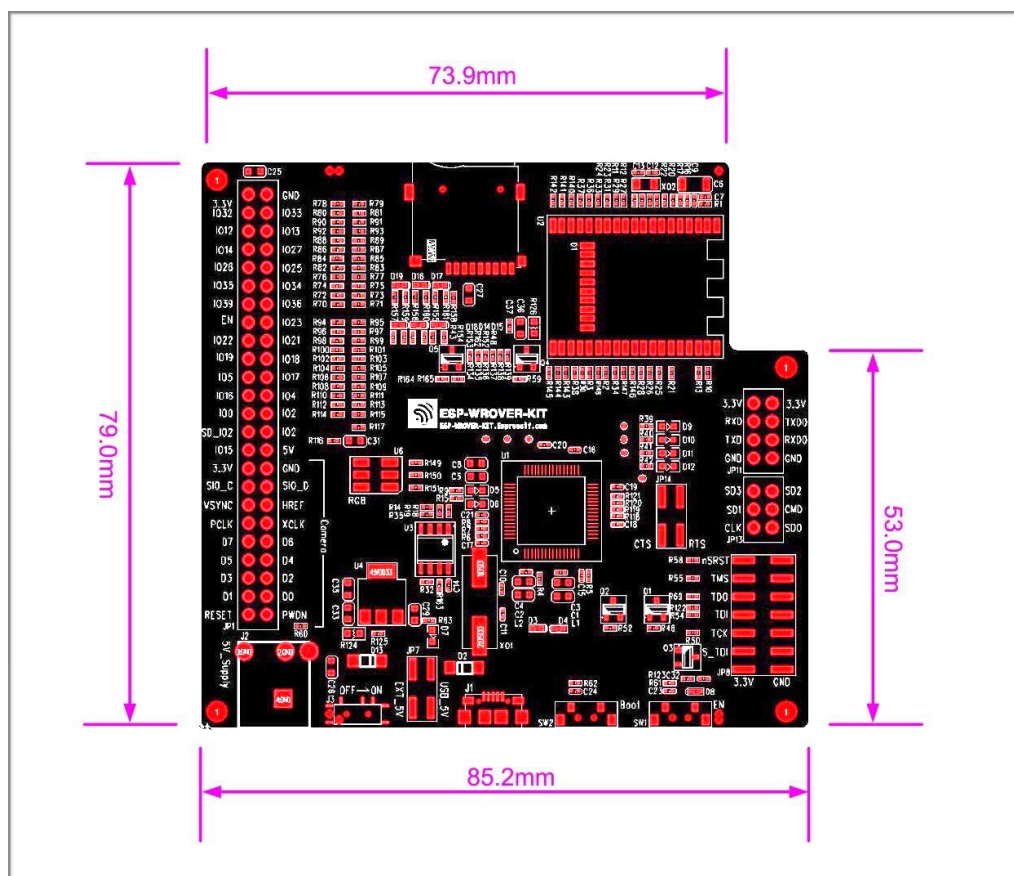


Figure 1-1. The ESP-WROVER-KIT Dimensions



2. Block Diagram and PCB Layout

2.1. Block Diagram

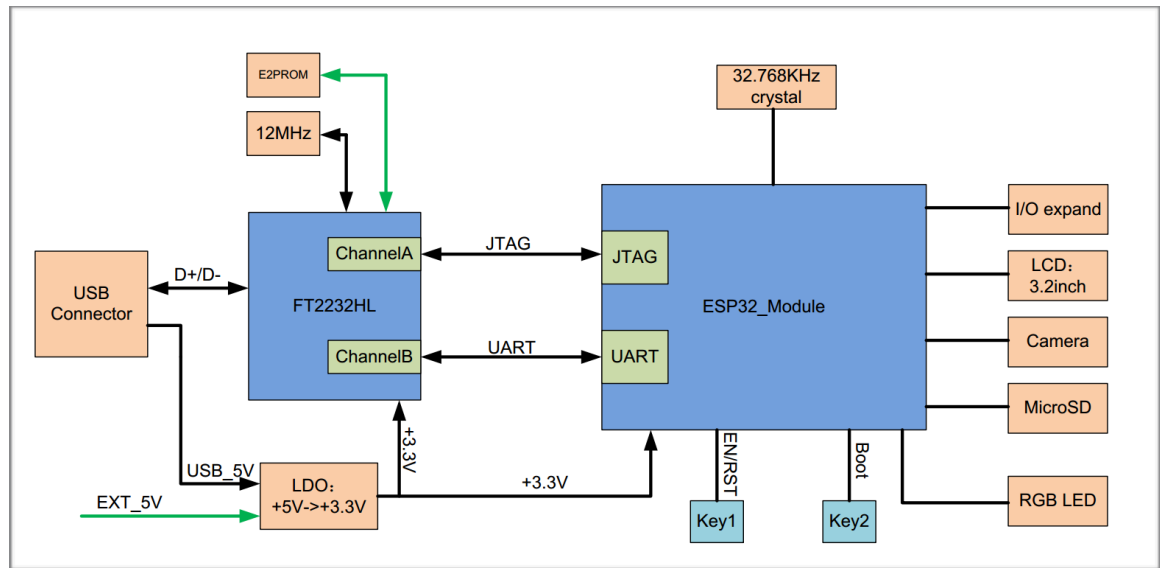


Figure 2-1. The ESP-WROVER-KIT Block Diagram

2.2. PCB Layout

The layouts of the front and back sides of the ESP-WROVER-KIT are shown in Figures 2-2 and 2-3 respectively.

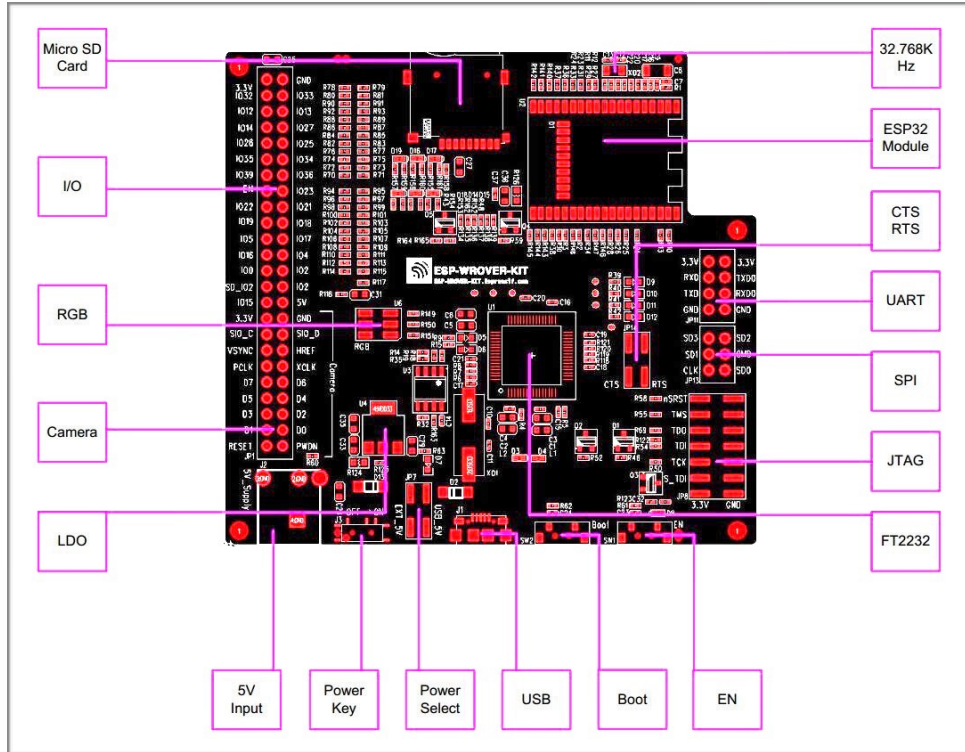


Figure 2-2. The Layout of the Front Side

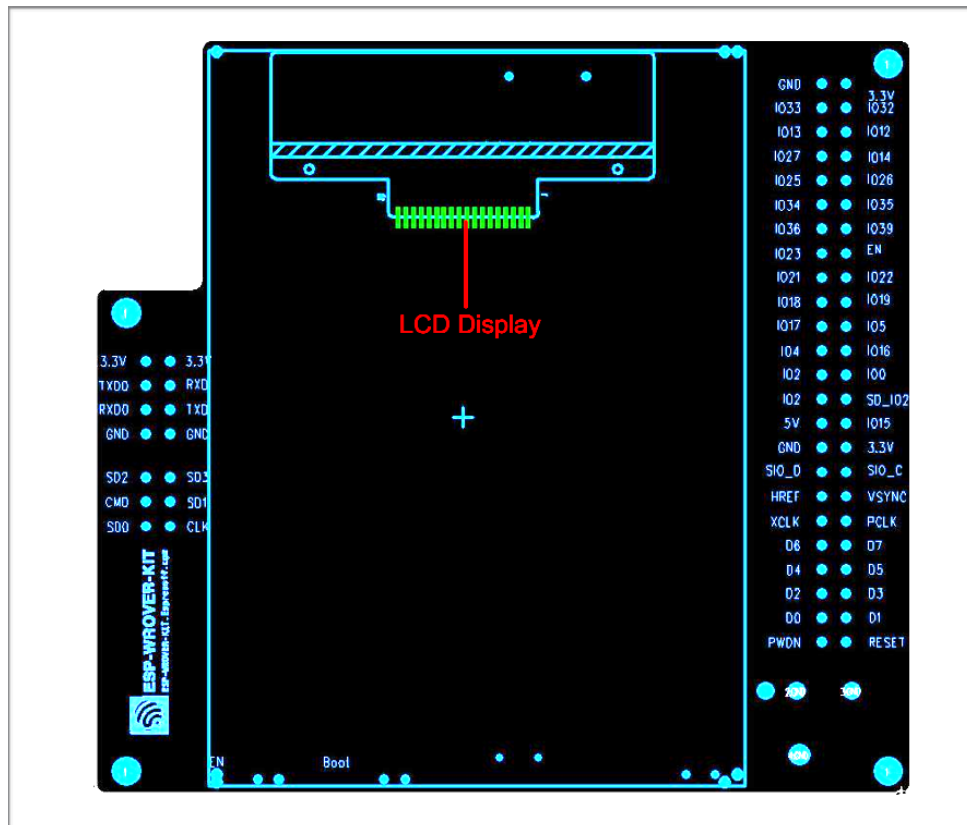


Figure 2-3. The Layout of the Back Side



3. Functional Description

Table 3-1 provides the functional description of the modules/interfaces that are featured on the ESP-WROVER-KIT.

Table 3-1. ESP-WROVER-KIT Functional Description

Interface/Module	Description
32.768 KHz	An external precision 32.768 KHz crystal oscillator provides the chip with a clock of low-power consumption during the Deep-sleep mode.
ESP32 Module	<p>ESP-WROVER-KIT is compatible with both ESP-WROOM-32 and ESP32-WROVER. The ESP32-WROVER module features all the functions of ESP-WROOM-32 and integrates an external 32-MBit PSRAM for flexible extended storage and data processing capabilities.</p> <p>⚠ Note:</p> <p><i>GPIO16 and GPIO17 are used as the CS and clock signal for PSRAM. To ensure reliable performance, the two GPIOs are not led out.</i></p>
CTS/RTS	Serial port flow control signal: the pin is not connected to the circuitry by default. To enable it, JP14 must be shorted by a jumper.
UART	Serial port: the serial signals on FT2232HL and ESP32 are led to the two sides of JP11. By default, the two signals are connected by a jumper. To use the ESP32 module serial interface only, the jumper may be removed and the module can be connected to another external serial device.
SPI	SPI interface: the SPI interface connects to an external flash (PSRAM). To interface another SPI device, an extra CS signal is needed. If an ESP32-WROVER is being used, please note that the electrical level on the flash and SRAM is 1.8V.
JTAG	JTAG interface: the JTAG signals on FT2232HL and ESP32 are led to the two sides of JP8. By default, the two signals are disconnected. To enable JTAG, shorting jumpers are required on the signals.
FT2232	<p>FT2232 chip is a multi-protocol USB-to-serial bridge. The FT2232 chip features USB-to-UART and USB-to-JTAG functionalities. Users can control and program the FT2232 chip through the USB interface to establish communication with ESP32.</p> <p>The embedded FT2232 chip is one of the distinguishing features of the ESP-WROVER-KIT. It enhances users' convenience in terms of application development and debugging. In addition, users do not need to buy a JTAG debugger separately, which reduces the development cost. The schematics are shown in Figure 3-1.</p>
EN	Reset button: pressing this button resets the system.
Boot	Boot button: holding down the Boot button and pressing the EN button initiates the firmware download mode. Then users can download firmware through the serial port.
USB	USB interface. It functions as the power supply for the board and the communication interface between PC and ESP32 module.



Interface/Module	Description
Power Select	Power supply selection interface: the ESP-WROVER-KIT can be powered through the USB interface or the 5V Input interface. The user can select the power supply with shorting jumpers. More details can be found in Chapter 4.
Power Key	Power on/off button: toggling to the right powers the board on; toggling to the left powers the board off.
5V Input	The 5V power supply interface is used as a backup power supply in case of full-load operation.
LDO	NCP1117(1A). 5V-to-3.3V LDO. (There is an alternative pin-compatible LDO – LM317DCY, with an output current of up to 1.5A). NCP1117 can provide a maximum current of 1A. The LDO solutions are available with both fixed output voltage and variable output voltage. The relevant schematics are shown in Figure 3-2.
Camera	Camera interface: a standard OV7670 camera module is supported.
RGB	Red, green and blue (RGB) light emitting diodes (LEDs) are controlled by pulse width modulation (PWM).
I/O	All the pins on the ESP32 module are led out to the pin headers on the ESP-WROVER-KIT. Users can program ESP32 to enable multiple functions such as PWM, ADC, DAC, I2C, I2S, SPI, etc.
Micro SD Card	Micro SD card slot for data storage: when ESP32 enters the download mode, GPIO2 cannot be held high. However, a pull-up resistor is required on GPIO2 to enable the Micro SD Card. By default, GPIO2 and the pull-up resistor R153 are disconnected. To enable the SD Card, use shorting jumpers on JP1 as shown in Figure 3-3.
LCD	ESP-WROVER-KIT supports mounting and interfacing a 3.2" SPI (standard 4-wire Serial Peripheral Interface) LCD, as shown in Figure 2-3.

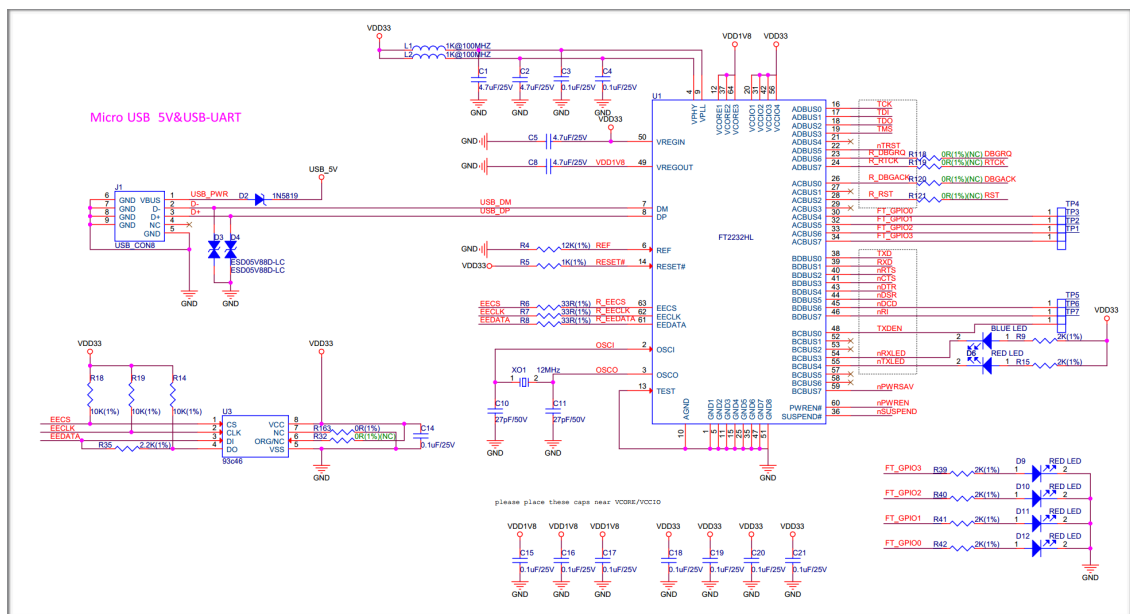


Figure 3-1. FT2232 Schematics

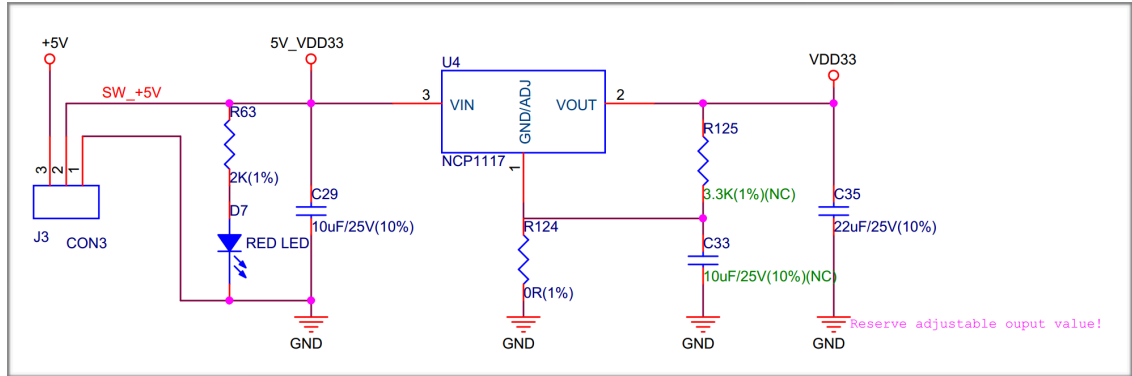


Figure 3-2. LDO Schematics

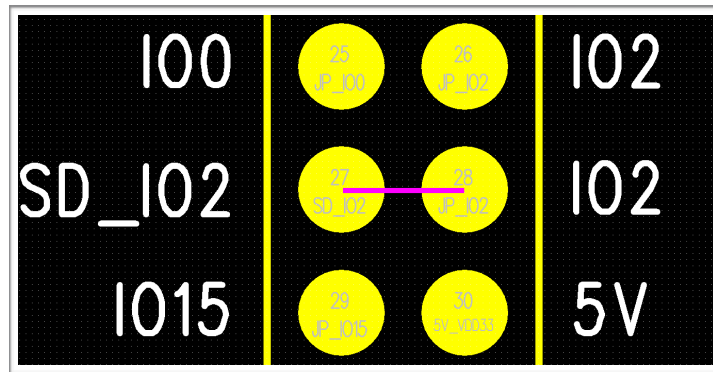


Figure 3-3. Shorting Jumpers on JP1

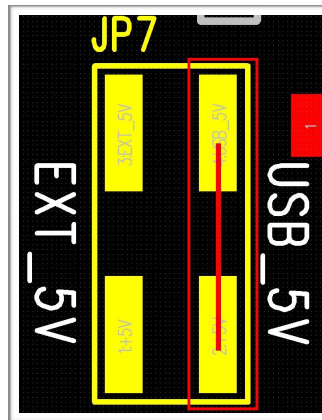


4.

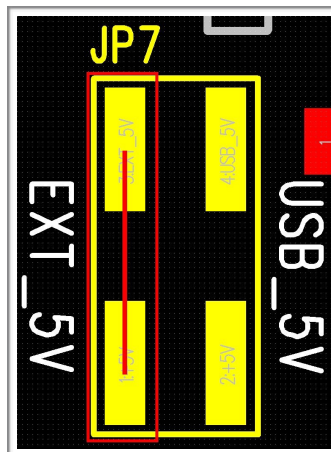
Basic Operation

Before powering up the ESP-WROVER-KIT, please make sure that the board has been received in good condition with no obvious signs of damage on it.

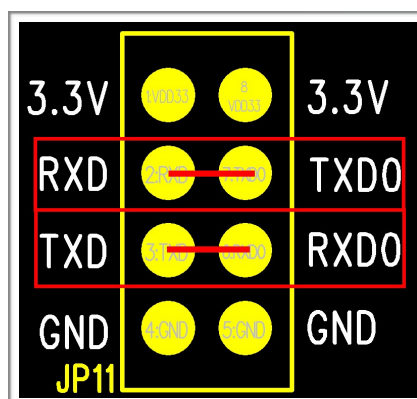
1. If using the USB power supply, please use shorting jumpers on JP7 (Power Select), as shown:



- If using the 5V Input power supply, please use shorting jumpers on JP7, as shown:

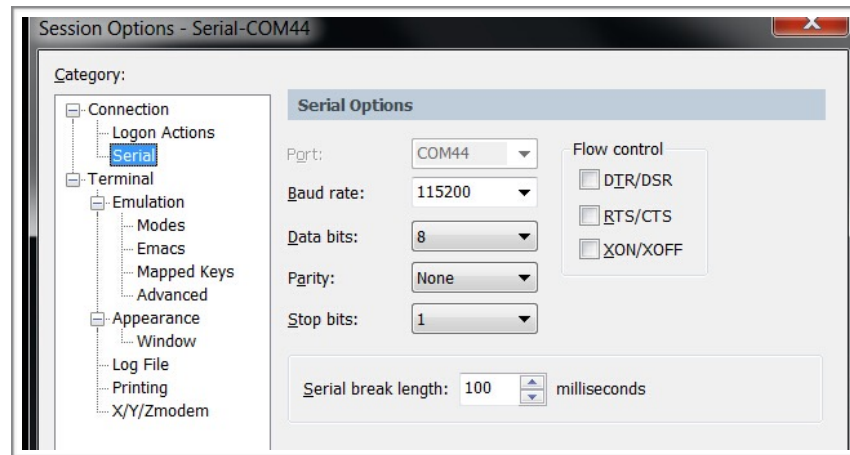


2. To enable UART communication, please use shorting jumpers on JP11, as shown:





After completing the two steps mentioned above, users can connect the board to a PC through a USB cable. Configure the serial debugging tool with 115200-8-N-1 in the settings, as shown in the screenshot below:



On successful power-up of the ESP32, a log similar to this will be printed on the serial terminal:

```
rst:0x1 (POWERON_RESET),boot:0x16 (SPI_FAST_FLASH_BOOT)
ets Jun  8 2016 00:22:57

rst:0x10 (RTCWDT_RTC_RESET),boot:0x16 (SPI_FAST_FLASH_BOOT)
configsip: 0, SPIWP:0x00
clk_drv:0x00,q_drv:0x00,d_drv:0x00,cs0_drv:0x00,hd_drv:0x00,wp_drv:0x00
mode:DIO, clock div:2
load:0x3ffc0000,len:0
load:0x3ffc0000,len:2304
load:0x40078000,len:3788
ho 0 tail 12 room 4
load:0x40098000,len:532
entry 0x4009813c

*****
*   hello espressif ESP32!   *
* 2nd boot is running!     *
*   version (v0.1)         *
*****
compile time 18:16:58

SPI Speed      : 40MHz
SPI Mode       : DIO
SPI Flash Size : 4MB
Partition Table:
## Label      Usage           Type ST Offset Length
0 factory     factory app      00 00 00010000 00100000
1 rfidata     RF data          01 01 00110000 00040000
2 wifidata    WiFi data        01 02 00150000 00040000
End of partition table
Loading app partition at offset 00010000
section 0: paddr=0x00000020 vaddr=0x00000000 size=0x0ffe8 ( 65512)
section 1: paddr=0x00010010 vaddr=0x3f400010 size=0x05b64 ( 23396) map
section 2: paddr=0x00015b7c vaddr=0x3ffb720 size=0x01378 (  4984) load
section 3: paddr=0x00016efc vaddr=0x40080000 size=0x00400 (  1024) load
section 4: paddr=0x00017304 vaddr=0x40080400 size=0x126ac ( 75436) load
section 5: paddr=0x000299b8 vaddr=0x00000000 size=0x06658 ( 26200)
section 6: paddr=0x00030018 vaddr=0x400d0018 size=0x325b4 (206260) map
start: 0x400807ac

Initializing heap allocator:
Region 19: 3FFBBA98 len 00024568 tag 0
Region 25: 3FFE8000 len 00018000 tag 1
Pro cpu up.
Pro cpu start user code
nvs_flash_init
fr2_timer_task_hdl:3ffbc564, prio:22, stack:2048
tcpip_task_hdlxxx : 3ffbeca8, prio:20,stack:2048
phy_version: 80, Aug 26 2016, 13:04:06, 0
pp_task_hdl : 3ffc34f0, prio:23, stack:8192

->enter uart init
uart init wait fifo succeed
exit uart init

IDF version : master(db93bceb)

WiFi LIB version : master(934d079b)

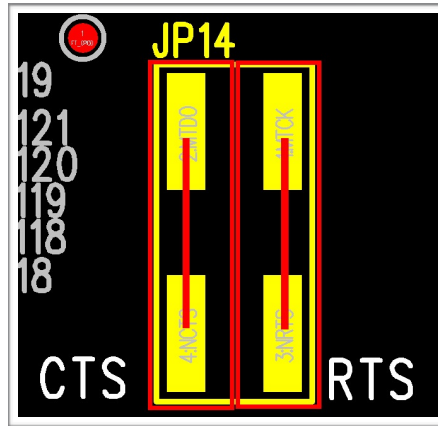
ssc version : master(r283 4d376412)

!!!ready!!!
mode : softAP(26:0a:c4:03:b8:e0)
dhcp server start:(ip: 192.168.4.1, mask: 255.255.255.0, gw: 192.168.4.1)

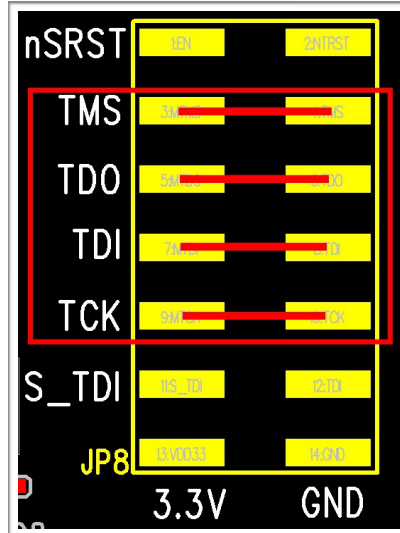
+WIFI:AP_START
```



- To enable the flow control function, please use shorting jumpers on JP14 (CTS/RTS), as shown:



- To enable the JTAG function, please use shorting jumpers on JP8 (JTAG), as shown:





5. Compilation and Download

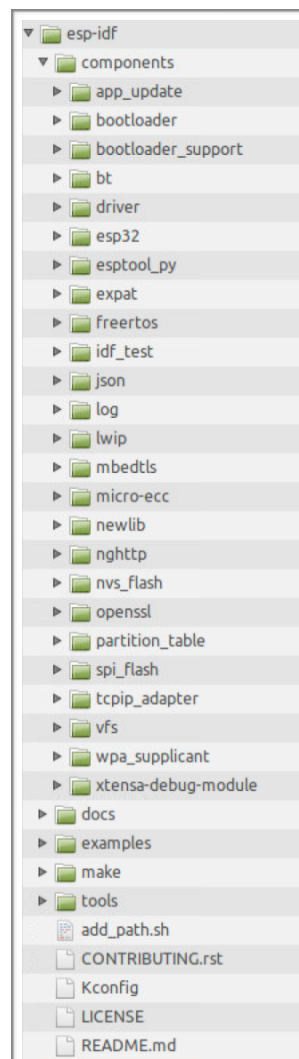
We are using ESP-IDF as an example to show how to download firmware to the ESP-WROVER-KIT.

5.1. Getting ESP-IDF

Download ESP-IDF at: <https://github.com/espressif/esp-idf/releases>.

5.2. ESP-IDF Directory Structure

The following figure shows the directory structure of ESP-IDF, including **components**, **examples**, **make**, **tools** and **docs**. The **components** folder contains the core components of ESP-IDF; the **examples** folder contains the program examples of ESP-IDF; the **make** folder contains makefiles for ESP-IDF; the **tools** folder is the toolkit; the **docs** folder contains ESP-IDF-relevant documentation.





5.3. The *hello_world* Example

The *esp-idf/examples/01_hello_world* directory contains a sample code that can be run on the ESP32.

1. Using the command terminal, change the current directory to *example/01_hello_world*:

```
cd examples/01_hello_world/
```

2. Configure *IDF_PATH*:

```
export IDF_PATH=/home/share/esp-idf-driver/esp-idf
```

3. Check the *IDF_PATH* configuration to make sure it is properly set. Failing to set the path will cause failure to the linking of dependent files later.

```
echo $IDF_PATH
```

4. Compile the program to generate BIN files. These BIN files have to be downloaded to the ESP-WROVER-KIT. Please see Sections 5.3.1 and 5.3.2 for detailed instructions.

5.3.1. Using the ESP32 DOWNLOAD TOOL

Execute the following command in the terminal to make the example project and generate executable BIN files:

```
make
```

Three BIN files need to be downloaded: *example/01_hello_world/bootloader/bootloader.bin*, *example/01_hello_world/partitions_singleapp.bin* and *example/01_hello_world/hello-world.bin*. Then, users can flash these BIN files by using the ESP32 DOWNLOAD TOOL. Please follow the steps below:

 **Note:**

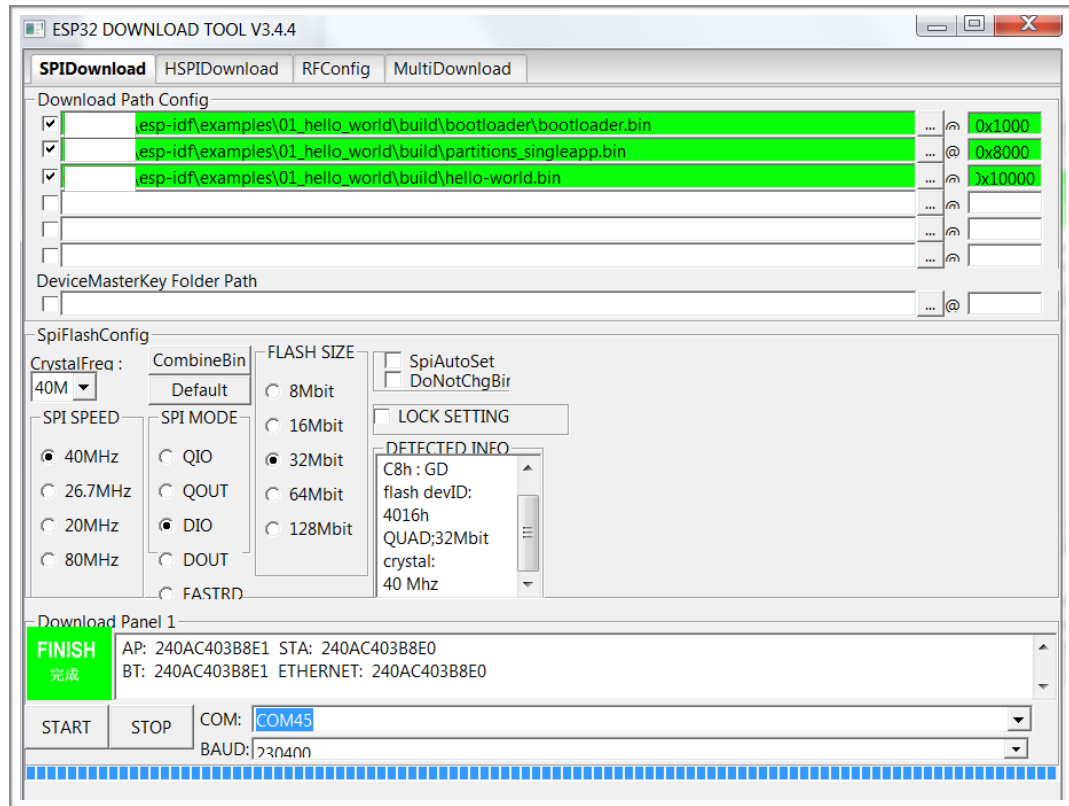
Please download the FLASH DOWNLOAD TOOL at:

http://espressif.com/en/support/download/other-tools?keys=&field_type_tid%5B%5D=13.

1. Open the ESP32 DOWNLOAD TOOL.
2. Configure the download tool and click on “START”, as shown below:

 **Notice:**

Most computers will automatically reset the ESP32 into download mode when you start uploading. If this does not work on your computer, try holding down the Boot button (and possibly pressing and releasing the EN button) when starting the upload.



3. Open the serial port. Set the Port, Baud rate = 115200, Data bits = 8, and Stop bits = 1. If the log below is printed, then it shows that the firmware has been downloaded to the ESP-WROVER-KIT successfully.

```
rst:0x10 (RTCWDT_RTC_RESET),boot:0x16 (SPI_FAST_FLASH_BOOT)
configsip: 0, SPIWP:0x00
clk_drv:0x00,q_drv:0x00,d_drv:0x00,cs0_drv:0x00,hd_drv:0x00,wp_drv:0x00
mode:DIO, clock div:2
load:0x3ffc0008,len:0
load:0x3ffc0008,len:1964
load:0x40078000,len:3648
ho 0 tail 12 room 4
load:0x40080000,len:256
entry 0x40080034
I (380) heap_alloc_caps: Initializing heap allocator:
I (380) heap_alloc_caps: Region 19: 3FFB5294 len 0002AD6C tag 0
I (382) heap_alloc_caps: Region 25: 3FFE8000 len 00018000 tag 1
I (392) cpu_start: Pro cpu up.
I (397) cpu_start: Starting app cpu, entry point is 0x40080b04
I (0) cpu_start: App cpu up.
I (413) cpu_start: Pro cpu start user code
I (437) rtc: rtc v160 Nov 22 2016 19:00:05
I (449) rtc: XTAL 40M
I (1161) phy: phy_version: 258, Nov 29 2016, 15:51:07, 0, 0
I (1635) cpu_start: Starting scheduler on PRO CPU.
I (1229) cpu_start: Starting scheduler on APP CPU.
Hello world!welcome to ESP32!
Restarting in 10 seconds...
Restarting in 9 seconds...
Restarting in 8 seconds...
Restarting in 7 seconds...
Restarting in 6 seconds...
```



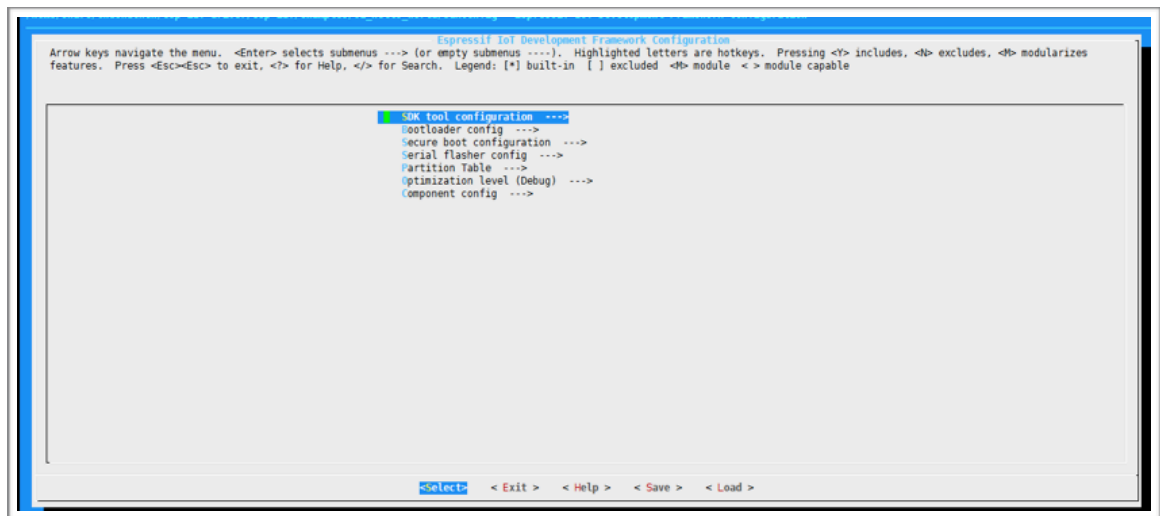
5.3.2. Using esptool

Users need to configure the serial port before compiling and downloading BIN files. Serial port configuration is not required if the Flash Download Tool is used to flash the BIN files on to the ESP-WROVER-KIT. However, other important system parameters may be set via menuconfig. Please complete this step before generating BIN files.

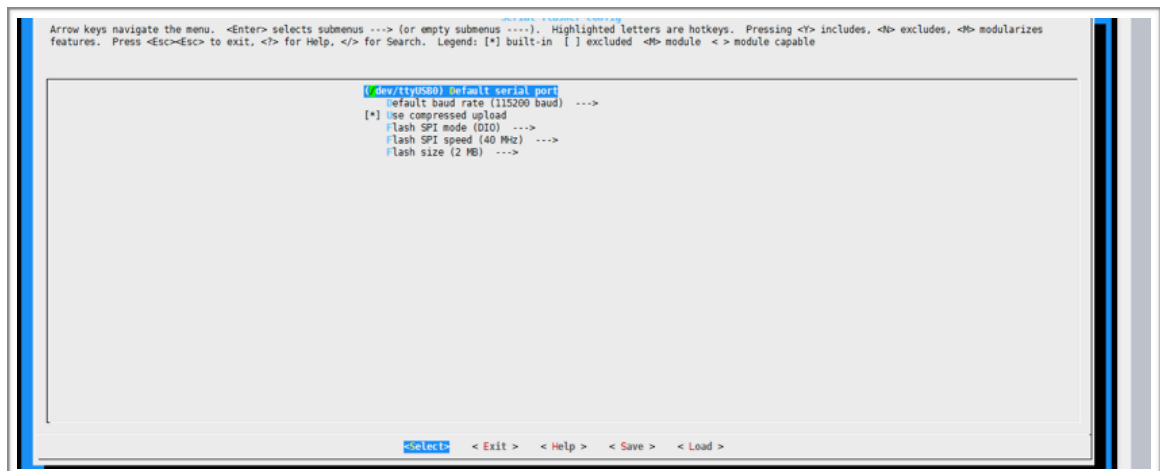
1. Enter `make menuconfig`:

```
make menuconfig
```

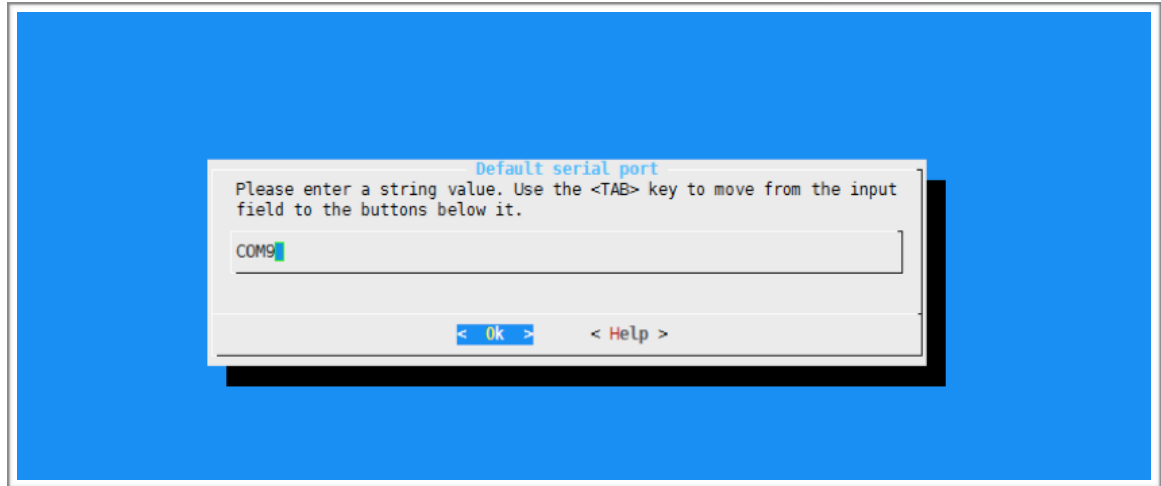
Then, the following interface is displayed:



2. Select **Serial flasher config** to configure the serial port, as shown below:



3. Configure the serial port, as shown below:



4. Click “OK” and exit `make menuconfig`.
5. Flash BIN files directly via the command line below:

```
make flash
```

 **Note:**

For more information on ESP-IDF, please see [ESP-IDF Getting Started Guide](#).



Disclaimer and Copyright Notice

Information in this document, including URL references, is subject to change without notice.

THIS DOCUMENT IS PROVIDED AS IS WITH NO WARRANTIES WHATSOEVER, INCLUDING ANY WARRANTY OF MERCHANTABILITY, NON-INFRINGEMENT, FITNESS FOR ANY PARTICULAR PURPOSE, OR ANY WARRANTY OTHERWISE ARISING OUT OF ANY PROPOSAL, SPECIFICATION OR SAMPLE.

All liability, including liability for infringement of any proprietary rights, relating to the use of information in this document, is disclaimed. No licenses express or implied, by estoppel or otherwise, to any intellectual property rights are granted herein.

The Wi-Fi Alliance Member logo is a trademark of the Wi-Fi Alliance. The Bluetooth logo is a registered trademark of Bluetooth SIG.

All trade names, trademarks and registered trademarks mentioned in this document are property of their respective owners, and are hereby acknowledged.

Copyright © 2016 Espressif Inc. All rights reserved.

The Netherlands



Elektrostraat 17
NL-7483 PG Haaksbergen

T: +31 (0)53 573 33 33
F: +31 (0)53 573 33 30
E: nl@texim-europe.com

Belgium



Zuiderlaan 14 bus 10
B-1731 Zellik

T: +32 (0)2 462 01 00
F: +32 (0)2 462 01 25
E: belgium@texim-europe.com

UK & Ireland



St. Mary's House, Church Lane
Carlton Le Moorland
Lincoln LN5 9HS

T: +44 (0)1522 789 555
F: +44 (0)845 299 22 26
E: uk@texim-europe.com

Germany North



Bahnhofstrasse 92
D-25451 Quickborn

T: +49 (0)4106 627 07-0
F: +49 (0)4106 627 07-20
E: germany@texim-europe.com

Germany South



Martin-Kollar-Strasse 9
D-81829 München

T: +49 (0)89 436 086-0
F: +49 (0)89 436 086-19
E: germany@texim-europe.com

Austria



Warwitzstrasse 9
A-5020 Salzburg

T: +43 (0)662 216 026
F: +43 (0)662 216 026-66
E: austria@texim-europe.com

Nordic region



Sdr. Jagtvej 12
DK-2970 Hørsholm

T: +45 88 20 26 30
F: +45 88 20 26 39
E: nordic@texim-europe.com

General information



info@texim-europe.com
www.texim-europe.com