

Catalogue 2018 / 2019

Europe

actiforce



We are Actiforce

The evolution of mankind is a story of overcoming boundaries, limitations and nature. The endeavour to adapt to the environment, learn new skills and challenge the unknown is based solely on enlightenment by inspiration. Inspiration is the fertile ground for art and culture. It makes people move, invent all kinds of solutions and guides them to places no one has been before: further, deeper, faster. We design, we produce, we deliver. We are Actiforce.



The Aluforce Line

The Aluforce desk frames are our original family of height adjustable sit-sit and sit-stand solutions featuring the Vision Lift system. The Aluforce collection offers you aluminium-cased workspaces ranging from single step to fully digital two-motor high-stroke frames.

Aluforce Pro 100 HC



Single step, sit-sit height mechanically adjustable

Height (mm)	min. 585 / max. 960
Stroke (mm)	375
Speed (mm/s)	6 / crank turn
Width (mm)	min. 1100 / max. 1700
Length of feet (mm)	740
Dynamic capacity (kg)	60
Noise dB(A)	-
Gross Weight (kg)	24

Legs and feet made of powder-coated aluminium.
Top supports and crossbars made of powder-coated steel.

Surface colour

Silver ●

Purchase code

S4130T3048307XXEU

Packing dimension single unit

1120 x 280 x 180 (LxWxH - mm)

Packing dimension pallet (24 frames)

1140 x 1120 x 1200 (LxWxH - mm)

Accessories

Please see the accessories section to personalise your height adjustable frame.

VISIONLIFT
INSIDE

Aluforce Pro 110 HC



Single step, sit-stand height mechanically adjustable

Height (mm)	min. 700 / max. 1160
Stroke (mm)	460
Speed (mm/s)	6 / crank turn
Width (mm)	min. 1100 / max. 1700
Length of feet (mm)	740
Dynamic capacity (kg)	60
Noise dB(A)	-
Gross Weight (kg)	24

Legs and feet made of powder-coated aluminium.
Top supports and crossbars made of powder-coated steel.

Surface colour

Silver ●

Purchase code

PC30T3048307XXEU

Packing dimension single unit

1120 x 280 x 180 (LxWxH - mm)

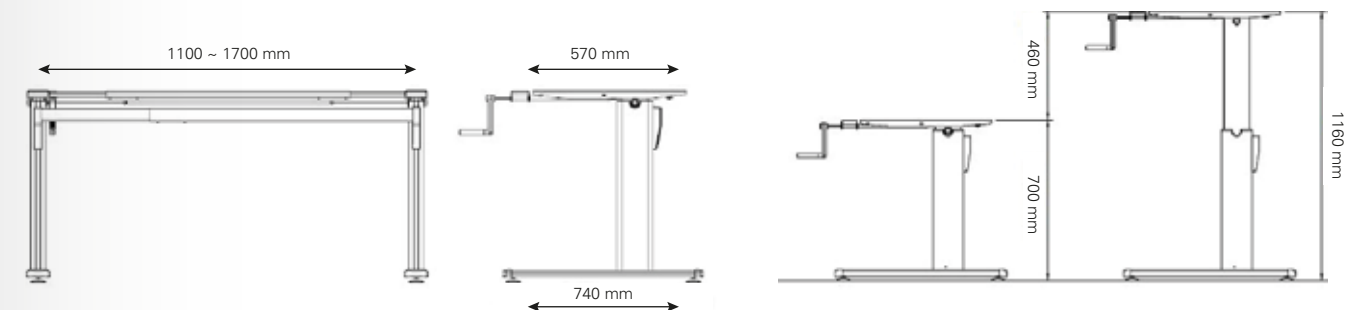
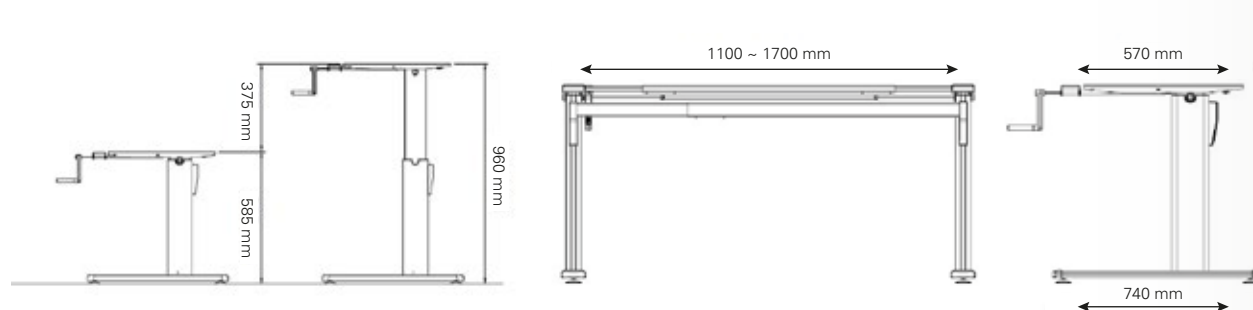
Packing dimension pallet (24 frames)

1140 x 1120 x 1200 (LxWxH - mm)

Accessories

Please see the accessories section to personalise your height adjustable frame.

VISIONLIFT
INSIDE



Aluforce Pro 140 HC



Single step, sit-stand height mechanically adjustable

Height (mm)	min. 700 / max. 1160
Stroke (mm)	460
Speed (mm/s)	6 / crank turn
Width (mm)	min. 1100 / max 1700
Length of feet (mm)	750
Dynamic capacity (kg)	60
Noise dB(A)	-
Gross Weight (kg)	24

Legs made of powder-coated aluminium.

Top supports, crossbar and feet made of powder-coated steel.

Surface colour

Silver	●	P1930000000218EU
White	○	P1930000000229EU
Black	●	P1930000000211EU

Packing dimension single unit

1110 x 260 x 156 (LxWxH - mm)

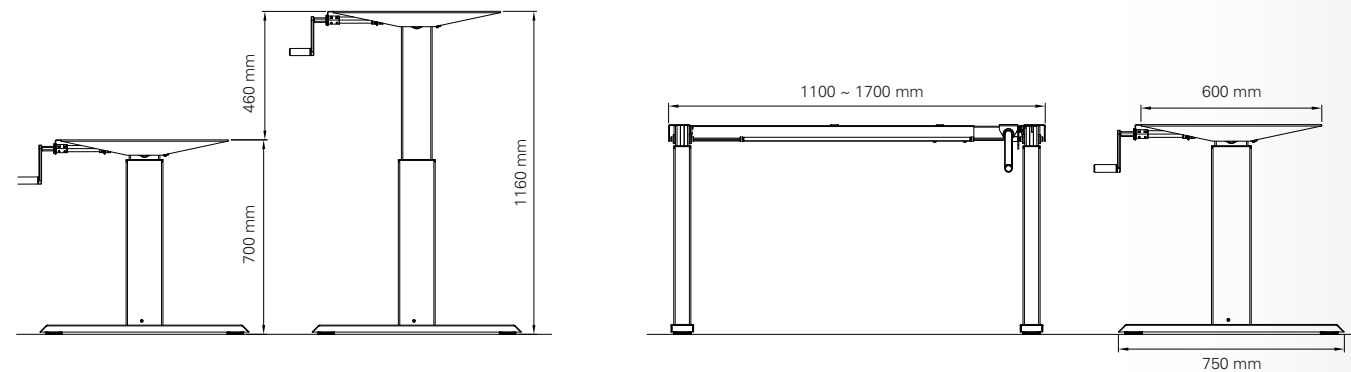
Packing dimension pallet (24 frames)

1140 x 1130 x 1056 (LxWxH - mm)

Accessories

Please see the accessories section to personalise your height adjustable frame.

VISIONLIFT
INSIDE



Aluforce Pro 140 M



Single step, sit-stand height electrically adjustable

Height (mm)	min. 700 / max. 1160
Stroke (mm)	460
Speed (mm/s)	17
Width (mm)	min. 1100 / max. 1700
Length of feet (mm)	750
Dynamic capacity (kg)	60
Noise dB(A)	<50
Power	V 240
Plug type	Replaceable
Gross Weight (kg)	25

Legs made of powder-coated aluminium.

Top supports, crossbar and feet made of powder-coated steel.

Surface colour

Silver	●	P1930000000030EU
White	○	P1930000000029EU
Black	●	P1930000000011EU

Packing dimension single unit

1110 x 260 x 156 (LxWxH - mm)

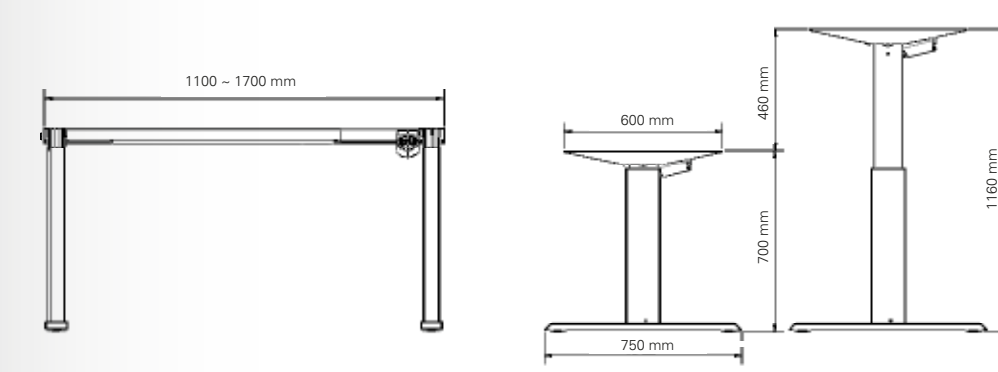
Packing dimension pallet (24 frames)

1140 x 1130 x 1056 (LxWxH - mm)

Accessories

Please see the accessories section to personalise your height adjustable frame.

VISIONLIFT
INSIDE



Aluforce Pro 150 M



Single step, sit-stand height electrically adjustable

Height (mm)	min. 700 / max. 1160
Stroke (mm)	460
Speed (mm/s)	19
Width (mm)	min. 1100 / max. 1700
Length of feet (mm)	740
Dynamic capacity (kg)	60
Noise dB(A)	<50
Power	V 100-240 / standby (W) 0,5
Plug type	Euro
Gross Weight (kg)	26

Legs and feet made of powder-coated aluminium.
Top supports and crossbars made of powder-coated steel.

Surface colour

Silver ●

Purchase code

PC30T304830204EU

Packing dimension single unit

1120 x 280 x 180 (LxWxH - mm)

Packing dimension pallet (24 frames)

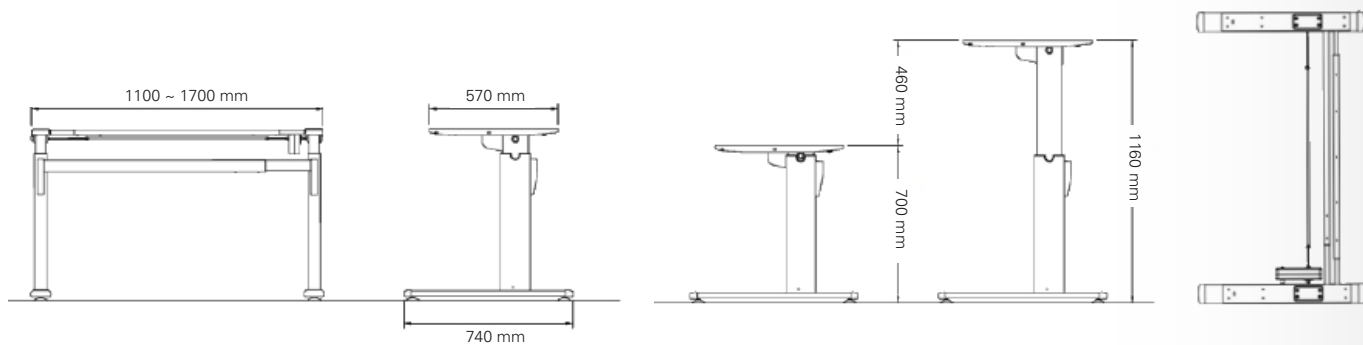
1140 x 1120 x 1200 (LxWxH - mm)

Accessories

Please see the accessories section to personalise your height adjustable frame.



VISIONLIFT
INSIDE



Aluforce Pro 250 M



Dual step, sit-stand height electrically adjustable

Height (mm)	min. 630 / max. 1280
Stroke (mm)	650
Speed (mm/s)	31
Width (mm)	min. 1100 / max. 1700
Length of feet (mm)	740
Dynamic capacity (kg)	80
Noise dB(A)	<50
Power	V 240 / standby (W) 0,5
Plug type	Replaceable
Gross Weight (kg)	30

Legs and feet made of powder-coated aluminium.
Top supports and crossbars made of powder-coated steel.

Surface colour

Silver ●

Purchase code

P230T300830102EU-SG

Packing dimension single unit

1120 x 280 x 180 (LxWxH - mm)

Packing dimension pallet (24 frames)

1140 x 1120 x 1200 (LxWxH - mm)

Accessories

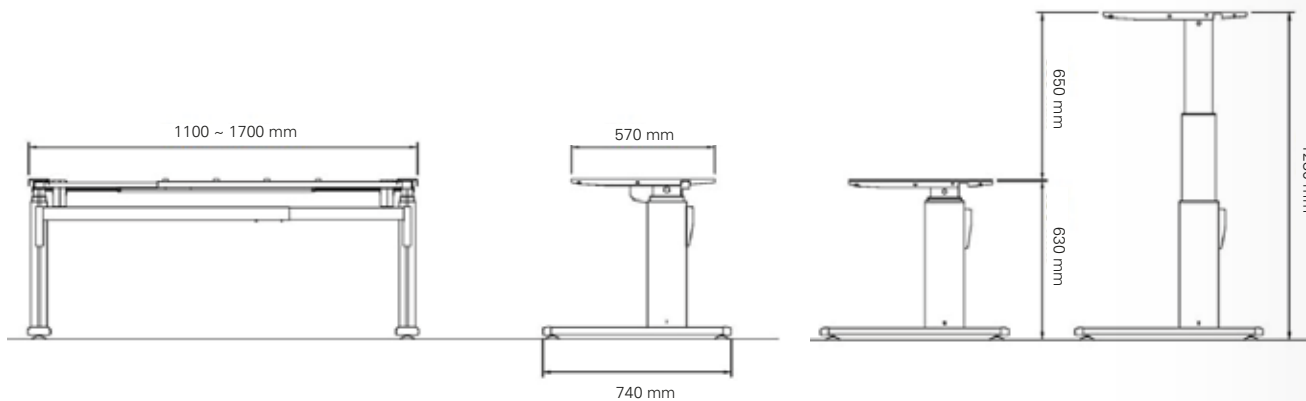
Please see the accessories section to personalise your height adjustable frame.



VISIONLIFT
INSIDE



Tested according to ANSI/BIFMA X5.5 by TÜV SÜD.



Aluforce Pro 251 M 90°



Dual step, sit-stand height electrically adjustable

Height (mm)	min. 630 / max. 1280
Stroke (mm)	650
Speed (mm/s)	28
Width main unit (mm)	min. 1100 / max. 1700
Width ancillary unit (mm)	min. 1200 / max. 1400
Length of feet (mm)	740
Dynamic capacity (kg)	80
Noise dB(A)	<50
Power	V 240 / standby (W) 0,5
Plug type	Replaceable
Gross Weight (kg)	43

Legs and feet made of powder-coated aluminium.
Top supports and crossbars made of powder-coated steel.

Surface colour

Silver ●

Purchase code

P430Y30A230102EU-SG

Packing dimension single unit

1180 x 350 x 200 (LxWxH - mm)

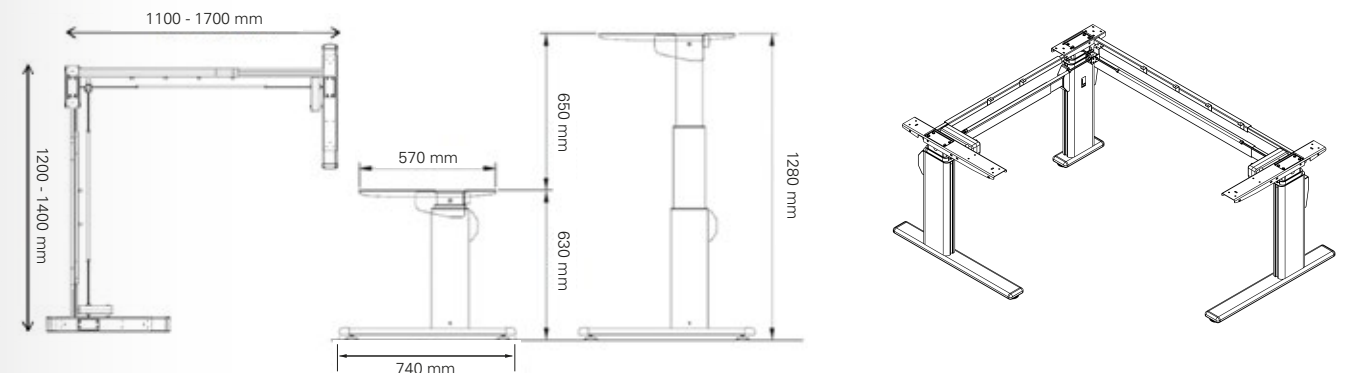
Packing dimension pallet (15 frames)

1140 x 1120 x 1100 (LxWxH - mm)

Accessories

Please see the accessories section to personalise your height adjustable frame.

VISIONLIFT
INSIDE



Aluforce Pro 270 GT



Dual step, sit-stand height electrically adjustable

Height (mm)	min 630 / max. 1280
Stroke (mm)	650
Speed (mm/s)	36
Width (mm)	min. 1100 / max. 1700
Length of feet (mm)	740
Dynamic capacity (kg)	80
Noise dB(A)	<50
Power	V 240 / standby (W) 0,4
Plug type	Replaceable
Gross Weight (kg)	28

Legs and feet made of powder-coated aluminium.
Top supports and crossbar made of powder-coated steel.
Soft start & stop function.

Surface colour

Silver ●

Purchase code

P230T300830M07EU-SG

Packing dimension single unit

1120 x 280 x 180 (LxWxH - mm)

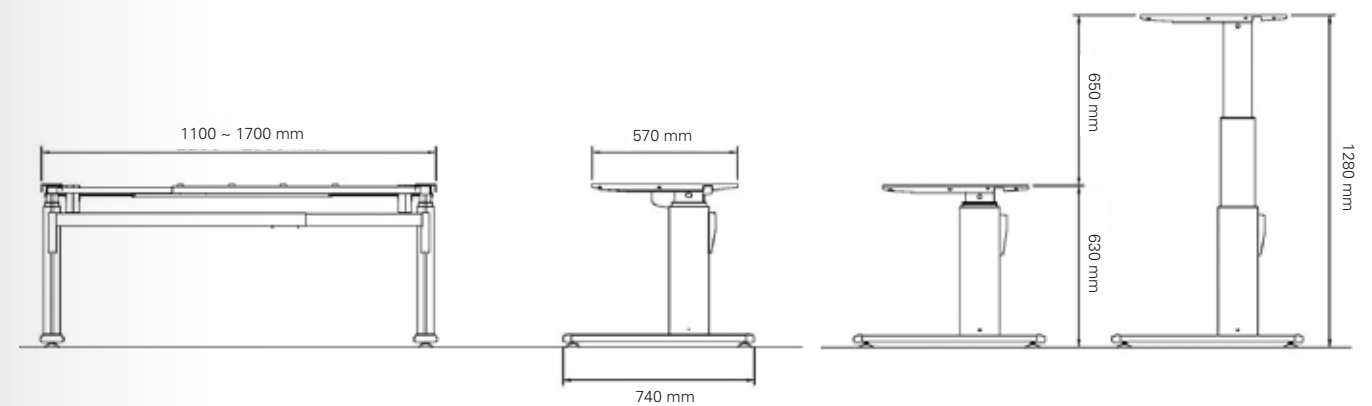
Packing dimension pallet (24 frames)

1140 x 1120 x 1200 (LxWxH - mm)

Accessories

Please see the accessories section to personalise your height adjustable frame.

VISIONLIFT
INSIDE





The Steelforce Line

We created the Steelforce Collection to complete our range of desk frames. Whether operated manually or silently driven by two motors, the Steelforce frames stand out through the variations of legs, the absence of a crossbar in most solutions and a simple and modern design.

Steelforce Pro 100 HC



Single step, sit-stand height mechanically adjustable

Height (mm)	min. 680 / max. 1090
Stroke (mm)	410
Speed (mm/s)	13 / crank turn
Width (mm)	min. 800 / max. 1200
Length of feet (mm)	620
Dynamic capacity (kg)	60
Noise dB(A)	-
Gross Weight (kg)	20

Legs, feet, top supports and crossbars made of powder-coated steel.
Including casters and foot adjusters.
Pre-assembled.

Surface colour

Silver ●

Purchase code

H1130f30A130PXEU-A

Packing dimension single unit

670 x 560 x 140 (LxWxH - mm)

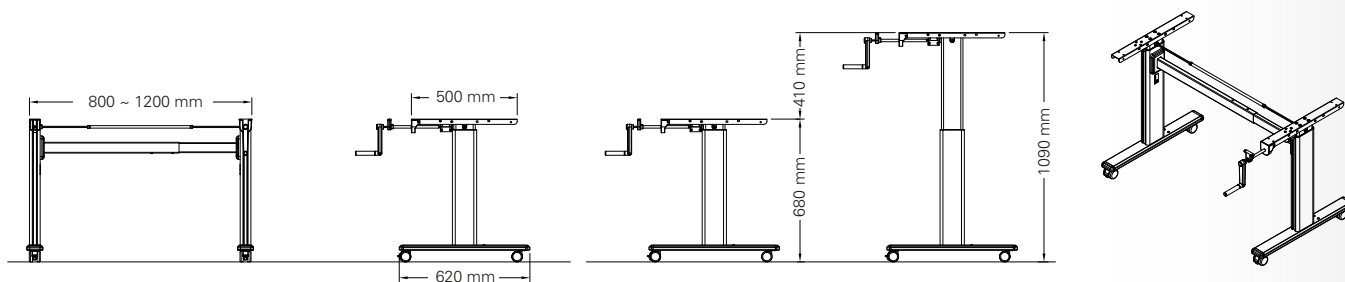
Packing dimension pallet (32 frames)

1140 x 1130 x 1420 (LxWxH - mm)

Accessories

Please see the accessories section to personalise your height adjustable frame.

VISIONLIFT
INSIDE



Steelforce Pro 150 M



Single step, sit-stand height electrically adjustable

Height (mm)	min. 695 / max. 1115
Stroke (mm)	420
Speed (mm/s)	18
Width (mm)	min. 1100 / max. 1700
Length of feet (mm)	750
Dynamic capacity (kg)	60
Noise dB(A)	<50
Power	V 240
Plug type	Euro
Gross Weight (kg)	27

Legs, feet, top supports and crossbars made of powder-coated steel.

Surface colour

Silver ●

Purchase code

H130X300630204EU

Packing dimension single unit

1120 x 280 x 180 (LxWxH - mm)

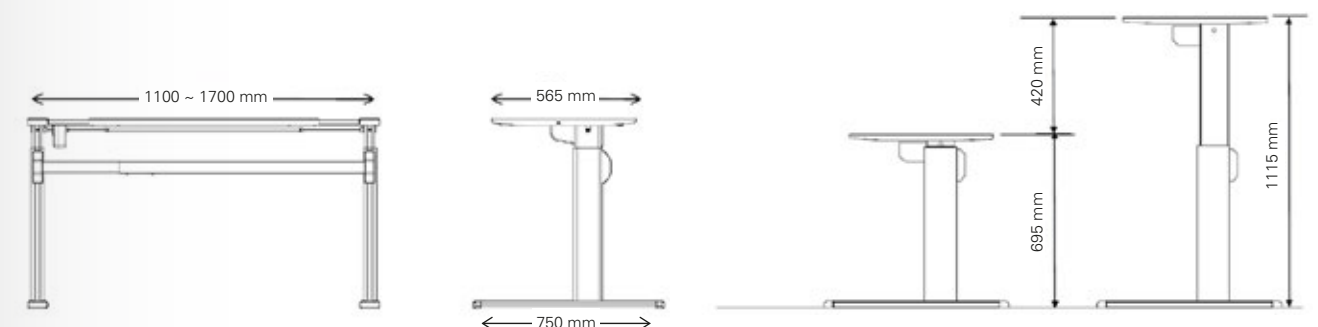
Packing dimension pallet (24 frames)

1140 x 1120 x 1200 (LxWxH - mm)

Accessories

Please see the accessories section to personalise your height adjustable frame.

VISIONLIFT
INSIDE

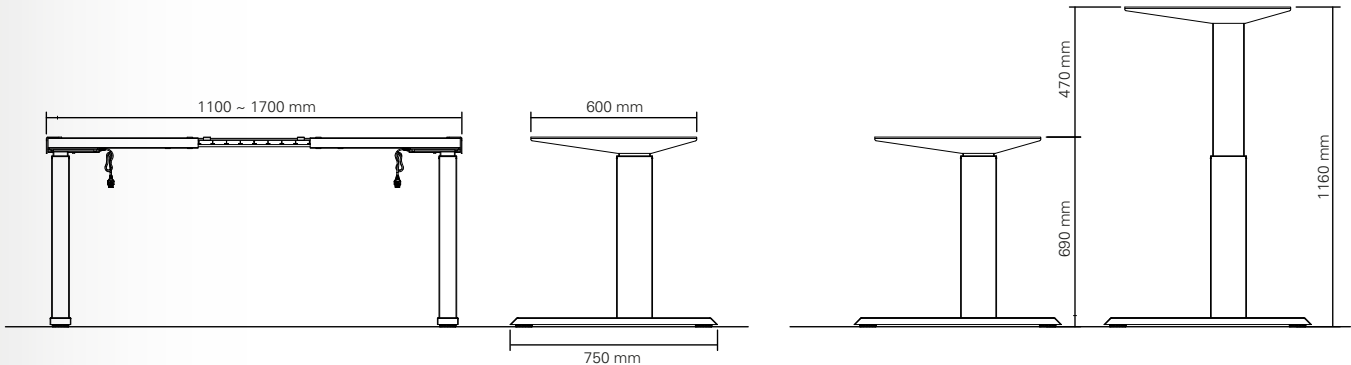




Steelforce Pro 170 SLS C-Foot



Single step, sit-stand height electrically adjustable		Surface colour	Purchase code
Height (mm)	min. 690 / max. 1160	Silver ●	SLS12802000383EU
Stroke (mm)	470		
Speed (mm/s)	39		
Width (mm)	min. 1100 / max. 1700	Packing dimension single unit	1120 x 295 x 185 (LxWxH - mm)
Length of feet (mm)	750	Packing dimension pallet (20 frames)	1180 x 1130 x 1060 (LxWxH - mm)
Column size (mm)	64 x 130	Accessories	Please see the accessories section to personalise your height adjustable frame.
Dynamic capacity (kg)	80		
Noise dB(A)	<55		
Power	V 220 - 240		
Plug type	Replaceable		
Gross Weight (kg)	36		



Steelforce Pro 200 HC



Single step, sit-stand height mechanically adjustable

Height (mm)	min. 620 / max. 1050
Stroke (mm)	430
Speed (mm/s)	13 / crank turn
Width (mm)	min. 1000 / max. 1400
Length of feet (mm)	750
Dynamic capacity (kg)	60
Noise dB(A)	-
Gross Weight (kg)	21

Legs, feet, top supports and crossbars made of powder-coated steel.
Pre-assembled.

Surface colour

Silver ●

Purchase code

ETH300001230EU-A

Packing dimension single unit

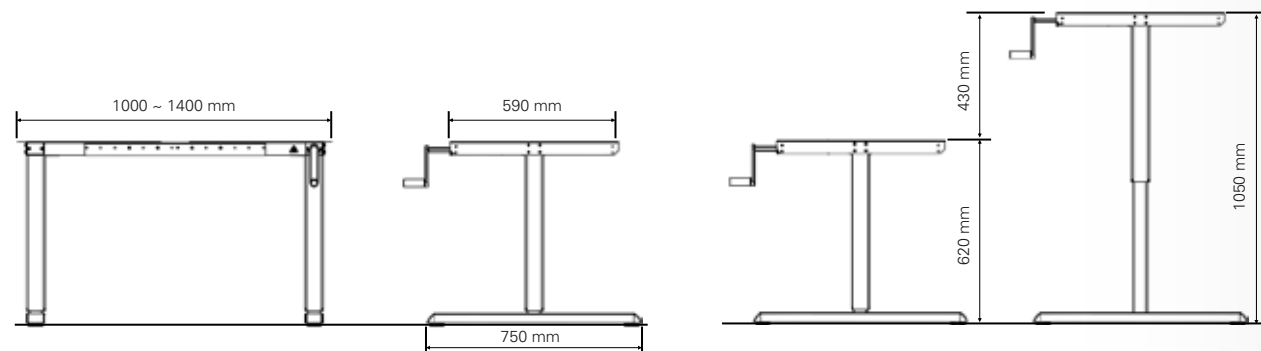
790 x 550 x 150 (LxWxH - mm)

Packing dimension pallet (14 frames)

1110 x 800 x 1120 (LxWxH - mm)

Accessories

Please see the accessories section to personalise your height adjustable frame.



Steelforce Pro 210 HC



Single step, sit-stand height mechanically adjustable

Height (mm)	min. 700 / max. 1180
Stroke (mm)	480
Speed (mm/s)	13 / crank turn
Width (mm)	min. 1000 / max. 1400
Length of feet (mm)	750
Dynamic capacity (kg)	60
Noise dB(A)	-
Gross Weight (kg)	23

Legs, feet, top supports and crossbars made of powder-coated steel.
Pre-assembled.

Surface colour

Silver ●

Purchase code

ETH400001230EU-A

Packing dimension single unit

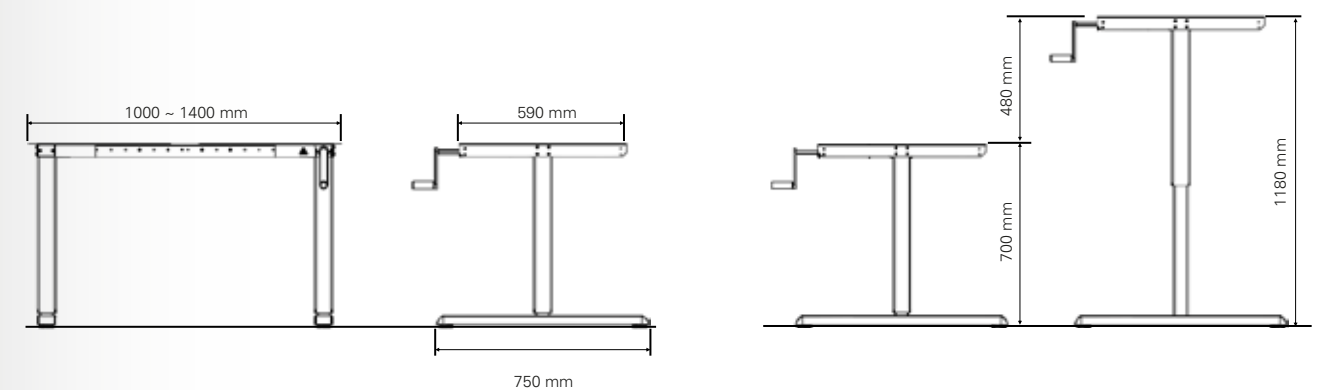
790 x 550 x 150 (LxWxH - mm)

Packing dimension pallet (14 frames)

1110 x 800 x 1120 (LxWxH - mm)

Accessories

Please see the accessories section to personalise your height adjustable frame.



Steelforce Pro 270 SLS

Steelforce Pro 270 SLS C-Foot

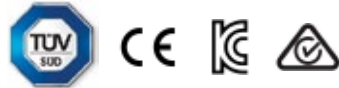
Steelforce Pro 470 SLS



Dual step, sit-stand height electrically adjustable

Height (mm)	min. 615 / max. 1275
Stroke (mm)	660
Speed (mm/s)	39
Width (mm)	min. 1100 / max. 1700
Length of feet (mm)	750
Column size (mm)	64 x 130
Dynamic capacity (kg)	80
Noise dB(A)	<55
Power	V 220 - 240
Plug type	Replaceable
Gross Weight (kg)	37

Legs, feet, top supports and crossbar made of powder-coated steel.
Soft start & stop function.
Spindle lifting system and low energy consumption.



Tested according to Japan domestic standard by TÜV Rheinland.
Tested according to IEC 60335-1 by Intertek.

Surface colour

Silver	●	Purchase code	SLS40000000383EU
--------	---	---------------	------------------

Surface colour C-Foot

Silver	●	Purchase code C-Foot	SLS40A02000383EU
--------	---	----------------------	------------------

Packing dimension single unit

960 x 285 x 185 (LxWxH - mm)

Packing dimension pallet (20 frames)

1140 x 1130 x 1060 (LxWxH - mm)

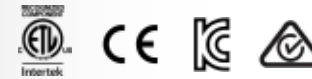
Accessories

Please see the accessories section to personalise your height adjustable frame.

Dual step, sit-stand height electrically adjustable

Height (mm)	min. 615 / max. 1275
Stroke (mm)	660
Speed (mm/s)	39
Width (mm)	min. 1100 / max. 1700
Length of feet (mm)	750
Column size (mm)	70 x 70
Dynamic capacity (kg)	80
Noise dB(A)	<55
Power	V 220 - 240
Plug type	Replaceable
Gross Weight (kg)	32

Legs, feet, top supports and crossbar made of powder-coated steel.
Soft start & stop function.
Spindle lifting system and low energy consumption.



Tested according to Japan domestic standard by TÜV Rheinland.
Tested according to IEC 60335-1 by Intertek.

Surface colour

Silver	●	Purchase code	SLS30000000383EU
White	○		SLS30000000329EU

Packing dimension single unit

960 x 285 x 185 (LxWxH - mm)

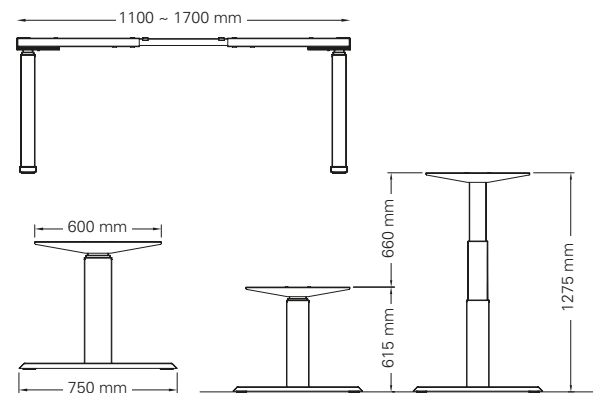
Packing dimension pallet (20 frames)

1140 x 1130 x 1060 (LxWxH - mm)

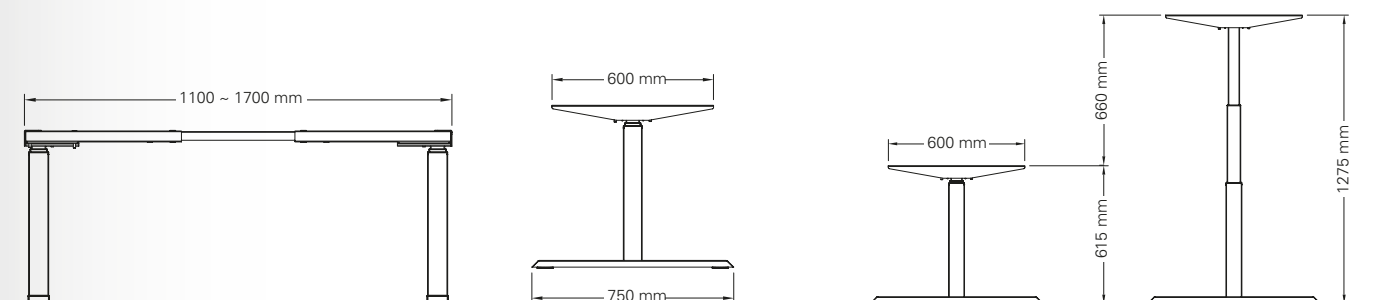
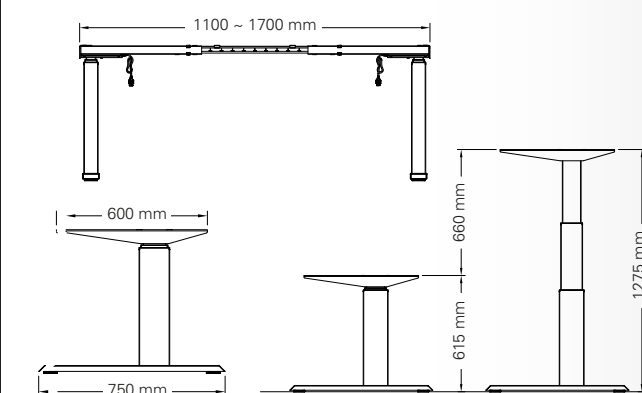
Accessories

Please see the accessories section to personalise your height adjustable frame.

Steelforce Pro 270 SLS



Steelforce Pro 270 SLS C-Foot



Steelforce Pro 470 SLS Bench



Dual step, sit-stand height electrically adjustable

Height (mm)	min. 615 / max. 1275
Stroke (mm)	660
Speed (mm/s)	39
Width (mm)	min. 1100 / max. 1700
Column size (mm)	70 x 70
Dynamic capacity (kg)	80
Noise dB(A)	<55
Power	V 220 - 240
Plug type	Replaceable
Gross Weight (kg)	75.5

Legs, feet, top supports and crossbars made of powder-coated steel.
Soft start & stop function.
Spindle lifting system and low energy consumption.

Surface colour

Silver	●	Purchase code	SLS13400011383EU
White	○		SLS13400011329EU

Packing dimension single unit (2 boxes)

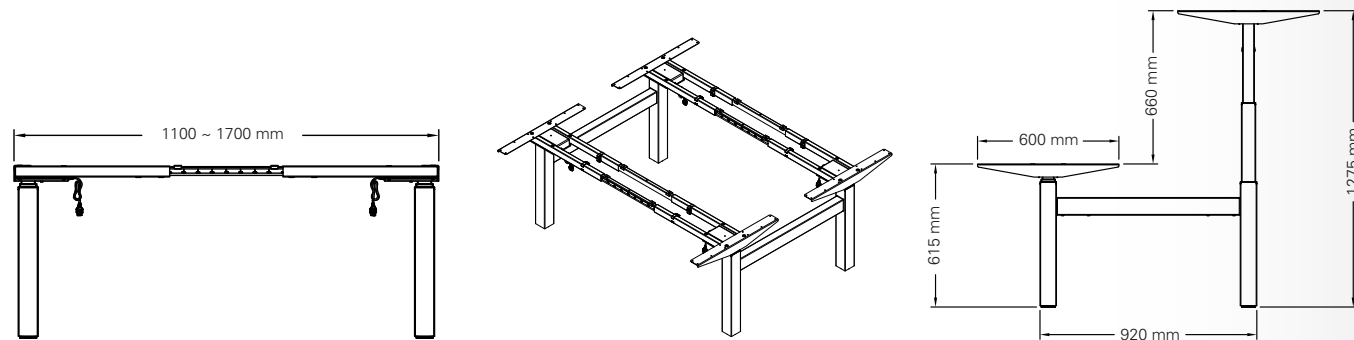
Box 1.	970 x 280 x 330 (LxWxH - mm)
Box 2.	970 x 280 x 330 (LxWxH - mm)

Packing dimension pallet (6 frames)

1140 x 1130 x 1130 (LxWxH - mm)

Accessories

Please see the accessories section to personalise your height adjustable frame.



Steelforce Pro 471 SLS 90°



Dual step, sit-stand height electrically adjustable

Height (mm)	min. 615 / max. 1275
Stroke (mm)	660
Speed (mm/s)	39
Width main unit (mm)	min. 1100 / max. 1700
Width ancillary unit (mm)	min. 1050 / max. 1250
Length of feet (mm)	750
Column size (mm)	70 x 70
Dynamic capacity (kg)	150
Noise dB(A)	<55
Power	V 220 - 230
Plug type	Replaceable
Gross Weight (kg)	49

Surface colour

Silver ●

Purchase code

SLS1600004483EU

Packing dimension single unit

Box 1. 960 x 285 x 185 (LxWxH - mm)
Box 2. 960 x 285 x 185 (LxWxH - mm)

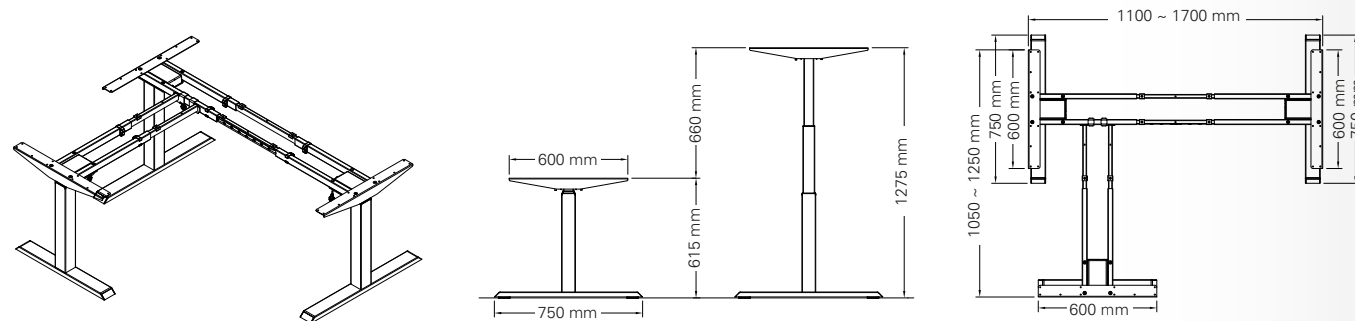
Packing dimension pallet (12 frames)

1150 x 1130 x 1240 (LxWxH - mm)

Accessories

Please see the accessories section to personalise your height adjustable frame.

Legs, feet, top supports and crossbars made of powder-coated steel.
Soft start & stop function.
Spindle lifting system and low energy consumption.



Steelforce Pro 471 SLS 90° XL



Dual step, sit-stand height electrically adjustable

Height (mm)	min. 615 / max. 1275
Stroke (mm)	660
Speed (mm/s)	39
Width main unit (mm)	min. 1100 / max. 1700
Width ancillary unit (mm)	min. 1450 / max. 1650
Length of feet (mm)	750
Column size (mm)	70 x 70
Dynamic capacity (kg)	150
Noise dB(A)	<55
Power	V 220 - 230
Plug type	Replaceable
Gross Weight (kg)	51

Surface colour

Silver ●

Purchase code

SLS1600007483EU

Packing dimension single unit

Box 1. 960 x 285 x 185 (LxWxH - mm)
Box 2. 960 x 285 x 185 (LxWxH - mm)

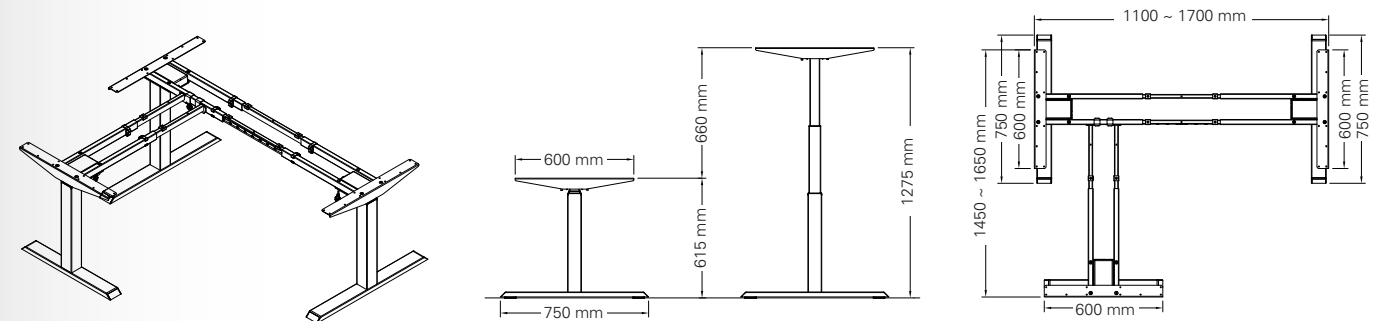
Packing dimension pallet (12 frames)

1150 x 1130 x 1240 (LxWxH - mm)

Accessories

Please see the accessories section to personalise your height adjustable frame.

Legs, feet, top supports and crossbars made of powder-coated steel.
Soft start & stop function.
Spindle lifting system and low energy consumption.



Steelforce Pro 670 SLS



Dual step, sit-stand height electrically adjustable

Height (mm)	min. 615 / max. 1275
Stroke (mm)	660
Speed (mm/s)	39
Width (mm)	min. 1100 / max. 1700
Length of feet (mm)	750
Column size (mm)	60 x 100
Dynamic capacity (kg)	80
Noise dB(A)	<55
Power	V 220 - 240
Plug type	Replaceable
Gross Weight (kg)	32

Legs, feet, top supports and crossbar made of powder-coated steel.
Soft start & stop function.
Spindle lifting system and low energy consumption.

Surface colour

Silver	●	Purchase code	SLS60300000383EU
White	○		SLS60300000329EU
Black	●		SLS60300000390EU

Packing dimension single unit

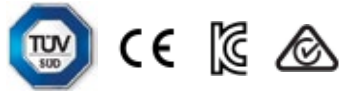
960 x 285 x 185 (LxWxH - mm)

Packing dimension pallet (20 frames)

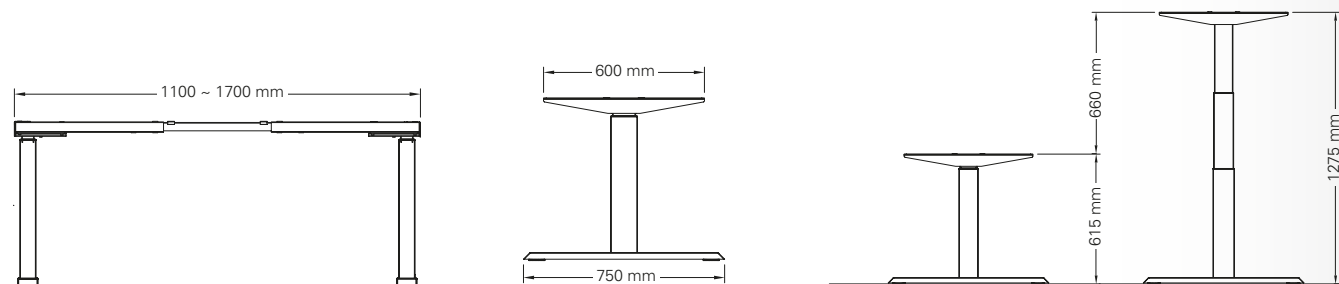
1140 x 1130 x 1060 (LxWxH - mm)

Accessories

Please see the accessories section to personalise your height adjustable frame.



Tested according to Japan domestic standard by TÜV Rheinland.
Tested according to IEC 60335-1 by Intertek.



Steelforce Pro 671 SLS 90°



Dual step, sit-stand height electrically adjustable

Height (mm)	min. 615 / max. 1275
Stroke (mm)	660
Speed (mm/s)	39
Width main unit (mm)	min. 1100 / max. 1700
Width ancillary unit (mm)	min. 1050 / max. 1250
Column size (mm)	60 x 100
Dynamic capacity (kg)	150
Noise dB(A)	<55
Power	V 220 - 230
Plug type	Replaceable
Weight (kg)	49

Surface colour

Silver	●	SLS18000004483EU
White	○	SLS18000004429EU
Black	●	SLS18000004490EU

Purchase code

Packing dimension single unit

Box 1. 960 x 285 x 185 (LxWxH - mm)
Box 2. 960 x 285 x 185 (LxWxH - mm)

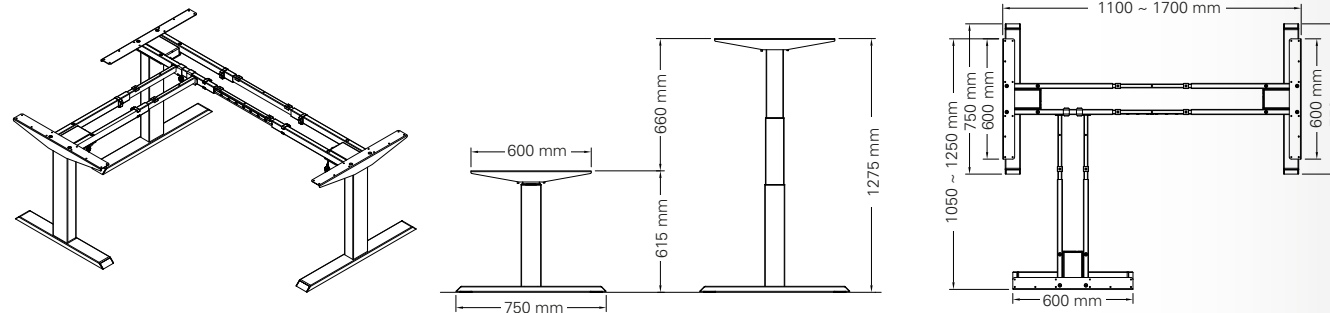
Packing dimension pallet (10 frames)

1140 x 1130 x 1060 (LxWxH - mm)

Accessories

Legs, feet, top supports and crossbars made of powder-coated steel.
Soft start & stop function.
Spindle lifting system and low energy consumption.

Please see the accessories section to personalise your height adjustable frame.



Steelforce Pro 673 SLS 135°



Dual step, sit-stand height electrically adjustable

Height (mm)	min. 615 / max. 1275
Stroke (mm)	660
Speed (mm/s)	39
Width main unit (mm)	min. 1310 / max. 1610
Width ancillary unit (mm)	610
Column size (mm)	60 x 100
Dynamic capacity (kg)	150
Noise dB(A)	<55
Power	V 220 - 230
Plug type	Replaceable
Gross Weight (kg)	48

Surface colour

Silver	●	SLS19000009483EU
White	○	SLS19000009429EU
Black	●	SLS19000009490EU

Purchase code

Packing dimension single unit

Box 1. 960 x 285 x 185 (LxWxH - mm)
Box 2. 960 x 285 x 185 (LxWxH - mm)

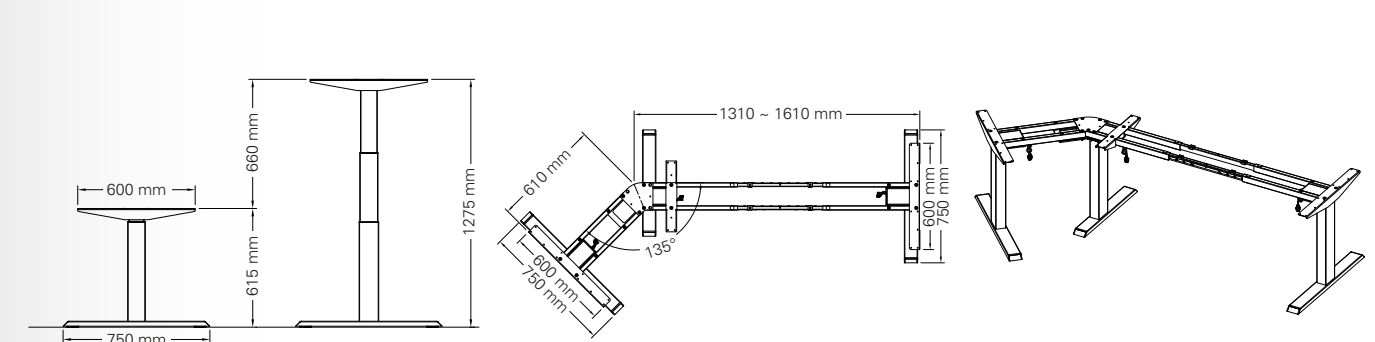
Packing dimension pallet (10 frames)

1140 x 1130 x 1060 (LxWxH - mm)

Accessories

Legs, feet, top supports and crossbars made of powder-coated steel.
Soft start & stop function.
Spindle lifting system and low energy consumption.

Please see the accessories section to personalise your height adjustable frame.

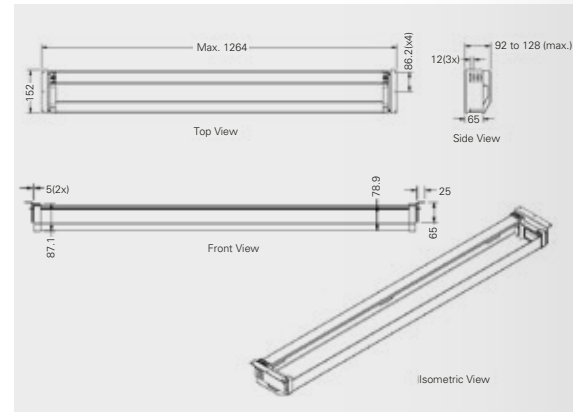




Accessories

We offer a range of accessories for our desk frames that enable you to personalise and manage your workspace.

Cable tray 1200 mm



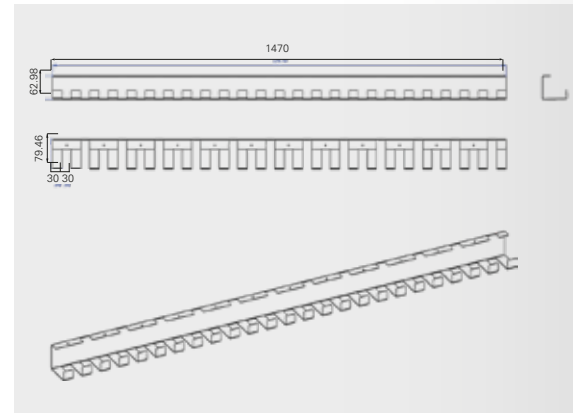
Surface colour	Purchase code	Dimensions
Black ●	FA-AVL-FG0065-11	Height (mm) 152
Silver ●	FA-AVL-FG0065-30	Width (mm) 1264
White ○	FA-AVL-FG0065-29	

Cable chain



Surface colour	Purchase code
Black ●	PA-AVL-CM007-11
Silver ●	PA-AVL-CM007-30
White ○	PA-AVL-CM007-29

Cable tray flex



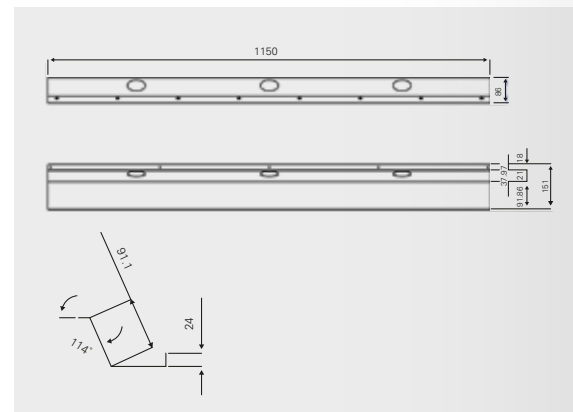
Surface colour	Purchase code	Dimensions
Black ●	PA-CT0002-11	Height (mm) 62,98
Silver ●	PA-CT0002-30	Width (mm) 1470
White ○	PA-CT0002-29	

Cable strain relief



Surface colour	Purchase code
Silver ●	AVL-CM002-00

Cable tray fix



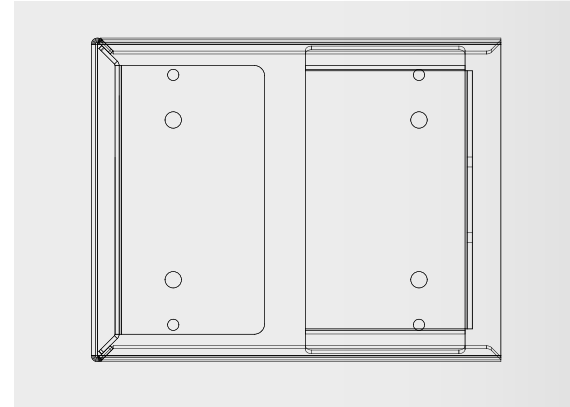
Surface colour	Purchase code	Dimensions
Black ●	PA-CT0001-11	Height (mm) 86
Silver ●	PA-CT0001-30	Width (mm) 1150
White ○	PA-CT0001-29	

Magnet cable chain



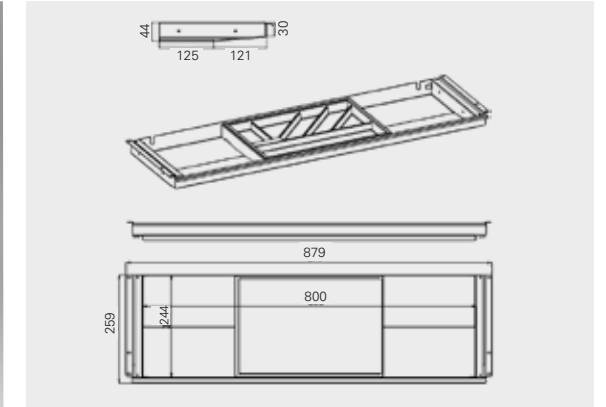
Surface colour	Purchase code
Black ●	PA-AVL-CM008-11
Silver ●	PA-AVL-CM008-30
White ○	PA-AVL-CM008-29

CPU holder LP



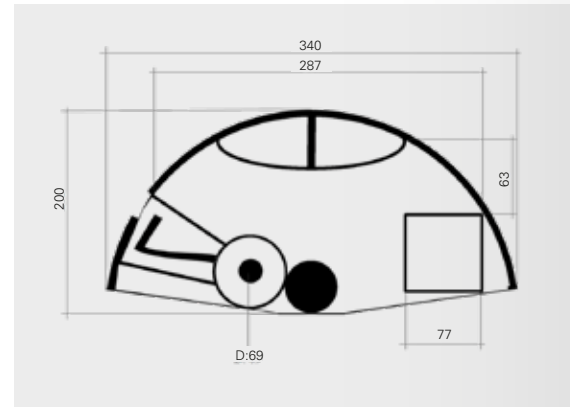
Surface colour	Purchase code	Dimensions
Black ●	PA-CPH01-11	Height (mm) 250-550
Silver ●	PA-CPH01-30	Width (mm) 70-230
White ○	PA-CPH01-29	

Stationery drawer SL with lock



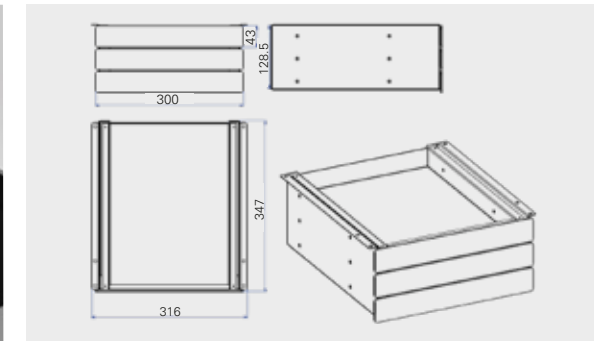
Surface colour	Purchase code	Dimensions
Black ●	PA-SD003-11	Height (mm) 259
Silver ●	PA-SD003-30	Width (mm) 879
White ○	PA-SD003-29	

Stationery drawer HM



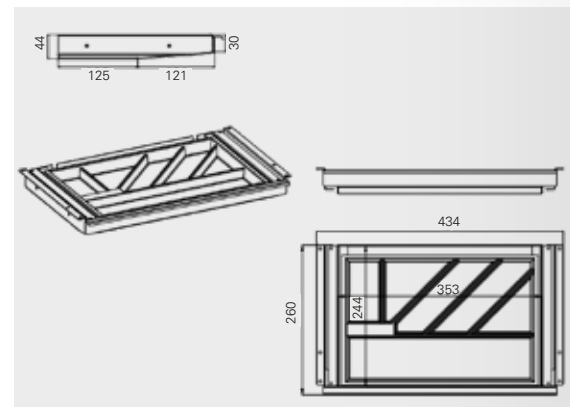
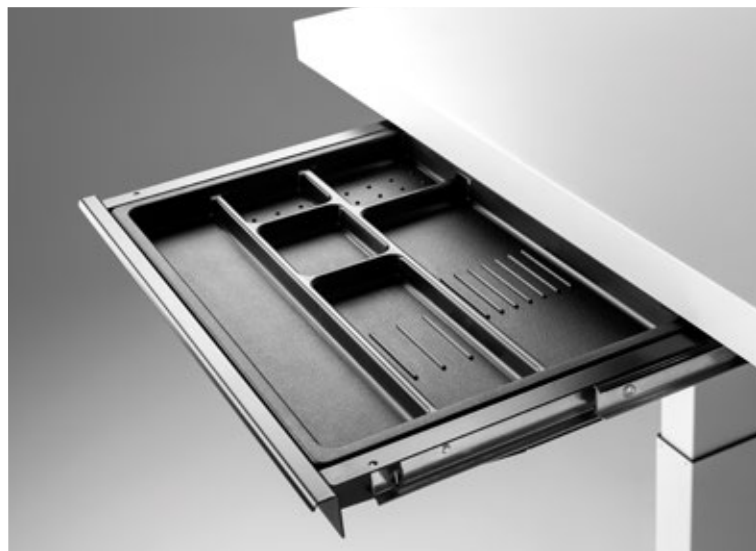
Surface colour	Purchase code	Dimensions
Black ●	PA-SD002-11	Height (mm) 200
Silver ●	PA-SD002-30	Width (mm) 340

Stationery drawer system TRI



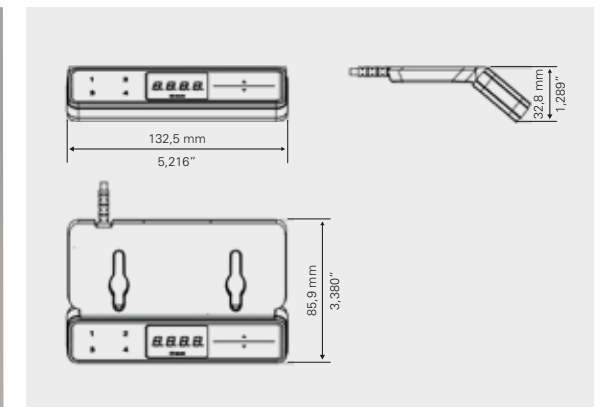
Surface colour	Purchase code	Dimensions
Black ●	PA-SB001-11	Height (mm) 128,5
Silver ●	PA-SB001-30	Width (mm) 300
White ○	PA-SB001-29	
		Drawers
		Height (mm) 347
		Width (mm) 316

Stationery drawer SN



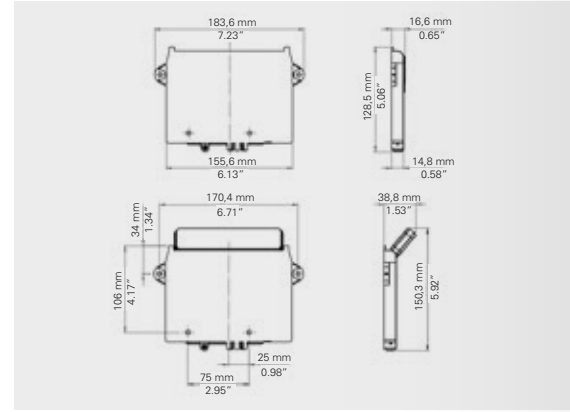
Surface colour	Purchase code	Dimensions
Black ●	PA-SD004-11	Height (mm) 260
Silver ●	PA-SD004-30	Width (mm) 434
White ○	PA-SD004-29	

Memory master fix



Purchase code	Dimensions
SLS-000026-00	Length (mm) 132,5
	Height (mm) 32,8
	Width (mm) 85,9

Memory master swing



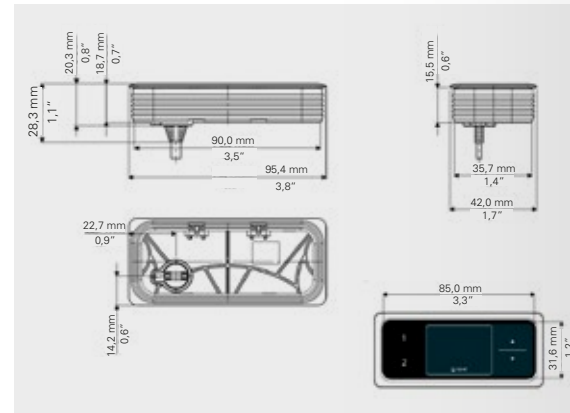
Purchase code	Dimensions
SLS-000011-00	Length (mm) 150,3
	Height (mm) 38,8
	Width (mm) 183,6

SLS capacity enhancement



Surface colour	Purchase code
Black ●	FA-SLS-PS0002-00

Memory master flat



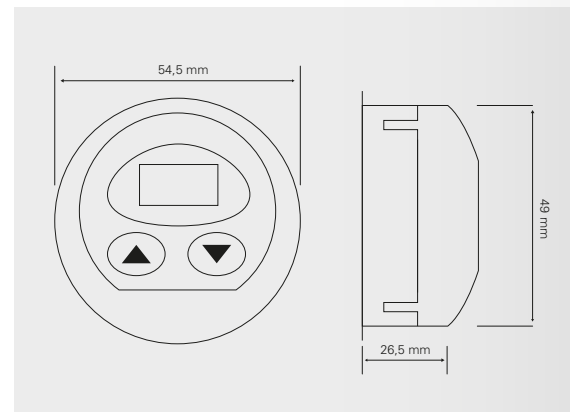
Purchase code	Dimensions
SLS-MM-000031-00	Length (mm) 42
	Height (mm) 17,3
	Width (mm) 94,4

Sensor kit



Surface colour	Purchase code
Black ●	FA-SLS-FG0046-00

Countersunk hand switch



Purchase code	Dimensions
AVL-000139-EU	Diameter (mm) 54,5

Screen holder bracket



Surface colour	Purchase code
Silver ●	FA-SLS-FG0057-30
White ○	FA-SLS-FG0057-29

suitable for panels with a maximum thickness of 50 mm

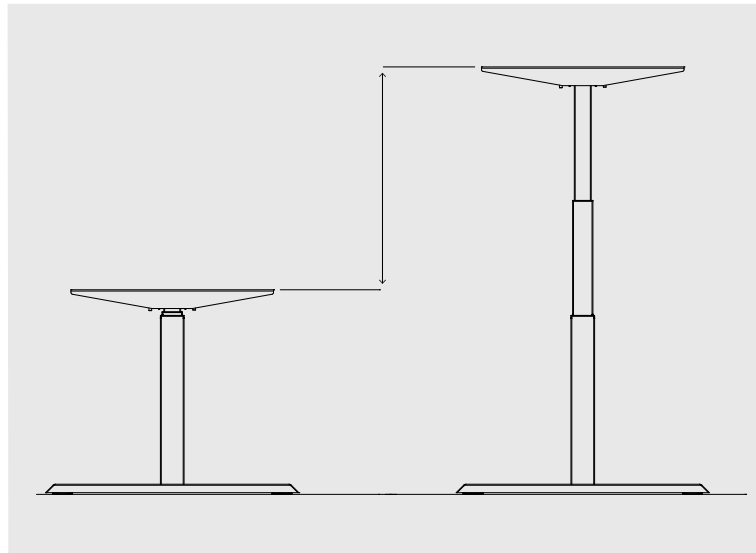
Adjustable cable tray

Made of aluminium



Surface colour	Purchase code
Silver ●	FA-SLS-FG0056-30
White ○	FA-SLS-FG0056-29

Tailor-made stroke settings



Purchase code
AVL-IP0002-EU

	Cable management	Storage (Drawers)	Hardware management (PC holders)	Hand controls (Memory master)	Sensor kit	Tailor-made stroke settings	Enhancements (SLS capacity enhancement)	Bench accessories (Screen holder bracket, adjustable cable tray)
Aluforce Pro 100 HC	•	•	•	-	-	-	-	-
Aluforce Pro 110 HC	•	•	•	-	-	-	-	-
Aluforce Pro 140 HC	•	•	•	-	-	-	-	-
Aluforce Pro 140 M	•	•	•	-	-	-	-	-
Aluforce Pro 150 M	•	•	•	-	-	-	-	-
Aluforce Pro 250 M	•	•	•	-	-	-	-	-
Aluforce Pro 251 M 90°	•	•	•	-	-	-	-	-
Aluforce Pro 270 GT	•	•	•	•	-	•	-	-
Steelforce Pro 100 HC	•	•	•	-	-	-	-	-
Steelforce Pro 150 M	•	•	•	-	-	-	-	-
Steelforce Pro 170 SLS	•	•	•	•	•	•	•	-
Steelforce Pro 200 HC	•	•	•	-	-	-	-	-
Steelforce Pro 210 HC	•	•	•	-	-	-	-	-
Steelforce Pro 270 SLS	•	•	•	•	•	•	•	-
Steelforce Pro 470 SLS	•	•	•	•	•	•	•	-
Steelforce Pro 470 SLS Bench	•	•	•	•	•	•	•	•
Steelforce Pro 471 SLS 90°	•	•	•	•	-	•	-	-
Steelforce Pro 471 SLS 90° XL	•	•	•	•	-	•	-	-
Steelforce Pro 670 SLS	•	•	•	•	•	•	•	-
Steelforce Pro 671 SLS 90°	•	•	•	•	-	•	-	-
Steelforce Pro 673 SLS 135°	•	•	•	•	-	•	-	-

