

Owner's Manual

Evolution LGR Portable Dehumidifier (115V)

DRI-EAZ PRODUCTS, INC.
15180 Josh Wilson Road, Burlington, WA 98233
Phone: 800-932-3030 Fax: 360-757-7950 www.dri-eaz.com

The Dri-Eaz[®] Evolution LGR dehumidifier reduces humidity in enclosed structural environments by removing water vapor from the air. The Evolution LGR is engineered to be rugged, durable and highly portable, making it ideally suited for water damage restoration, structural drying, construction, and other applications requiring temporary, high-performance dehumidification.

Patent no. D508735

READ AND SAVE THESE INSTRUCTIONS

SAFETY INSTRUCTIONS



WARNING! Electric shock hazard, rotating fan, hot surface hazards. Unplug unit before opening cover for cleaning or servicing. Unit must be grounded.

- Inspect the power cord before use. If cord is damaged, do not use. Always grasp the plug (not the cord) to unplug.
- Insert three-prong plug on power cord into a matching electrically grounded outlet. Do not use adapter. Never cut off third prong. Do not use an extension cord.
- The unit must be operated on a 115V/60 Hz circuit protected by a Ground Fault Circuit Interrupter (GFCI) device.
- Keep motor and wiring dry. If electrical components become wet, allow them to dry before using.
- Do not operate in standing water. Do not operate in rain or snow.
- Do not attempt to repair the unit. For Authorized Service Centers, call Dri-Eaz at 800-932-3030.

BEFORE YOU BEGIN

Unpacking your unit

Retain all packing material and boxes for possible equipment returns.

Warranty registration

Visit warranty.drieaz.com to register your purchase. Registration allows us to better assist you with using, maintaining or servicing your equipment, as well as to contact you in case we have important safety information concerning your Dri-Eaz product. If you determine service is required, have your equipment model, serial number and original proof of purchase available and call your distributor for assistance with obtaining a return material authorization (RMA).

INTRODUCTION

Dehumidifiers reduce humidity in enclosed structural environments by removing water vapor from the air. With proper use, the Evolution can help dry carpet, carpet pad, floors, walls, building contents and more. Using dehumidifiers can also help prevent secondary damage caused by high humidity. For best results, use the Evolution with Dri-Eaz TurboDryer airmovers placed around the perimeter of the room to distribute heat energy and release moisture from wet surfaces into the air.

How the Evolution LGR dehumidifier works

Dri-Eaz refrigerant dehumidifiers operate by pulling moist air in across a very cold evaporator coil. The moisture in the air condenses on the coil and drips into a catch basin. The water collects in a tray and is pumped out through a hose. In certain conditions, the machine operates in defrost mode, warming any frost accumulated on the evaporator coil back into water. LGR (Low Grain Refrigerant) dehumidifiers have better heat exchange and defrost abilities than regular refrigerant dehumidifiers, and are able to continue removing moisture in colder and/or drier environments.

POSITIONING A DEHUMIDIFIER

For best results, operate your dehumidifiers in an enclosed area, as this creates a drying chamber. Close all doors and windows that open to the outside to maximize the unit's water removal efficiency. Also, keep traffic through the drying chamber to a minimum. Place your Evolution dehumidifier against a wall, away from obstructions, and keep it away from anything that could block airflow into and out of the unit.

IMPORTANT: Before moving the unit, make sure there's no water in the pump. See how to use the PURGE function under "How to Use the Control Panel" on page 3.

Managing temperature rise

Controlling temperature in the drying environment is critical. The most accurate way to monitor temperature is

with a thermo-hygrometer; however, you can use an indoor/outdoor thermometer to gauge temperature. For improved accuracy, take temperature readings in the center of the room, away from the airflow of the dehumidifier.

Dri-Eaz dehumidifiers warm the air as they remove moisture. Optimal drying temperatures range from 68–85°F (20–29°C). This may require the use of the building's HVAC (heating or air conditioning) system. If heating and cooling is not available at the site, call a Dri-Eaz at 800-932-3030, and a Technical Specialist help you find an appropriate solution.

For more information about creating an optimum drying environment, contact Dri-Eaz at 800-932-3030.

PARTS IDENTIFICATION

FIG. A: BACK

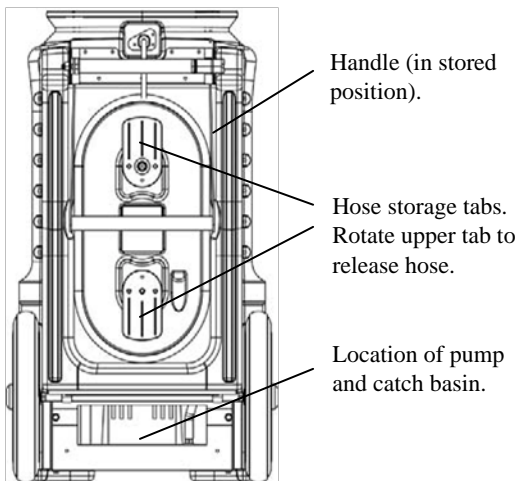


FIG. B: SECURING HANDLE

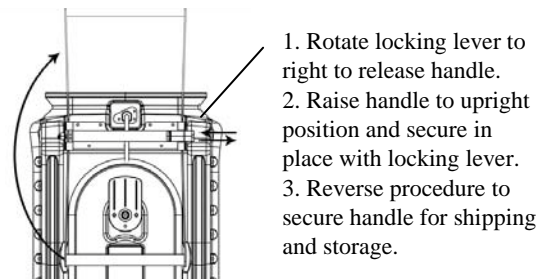
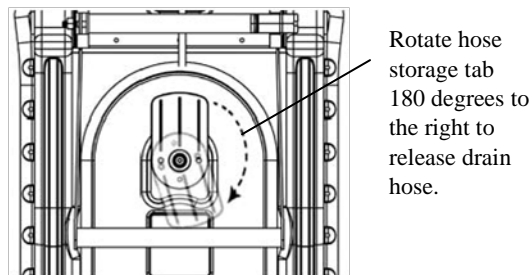


FIG. C: HOSE STORAGE



OPERATING YOUR DEHUMIDIFIER

Set unit upright

Always operate the dehumidifier in an upright position. If the unit has been stored or transported in a horizontal position, set it upright (in a vertical position) for at least 30 minutes before operating it. This will allow for any compressor oil that has flowed into the refrigerant coils to return to the compressor and allow the dehumidifier to function properly.

Set up drain hose

The Evolution LGR pump connects to a plastic drainage hose. The hose can be stored on the hose wrap, located on the back of the unit (see Fig. A). You can release the hose by rotating the top reel of the hose wrap to either side; pull the tab outward until you're able to rotate it (see Fig. C). Rotate the tab to the right or left until it is pointing straight down. This feature makes it easy to take off the entire hose quickly. Place the unattached hose end in a sink, drain, bucket – even outside; anywhere that water can drain out safely.

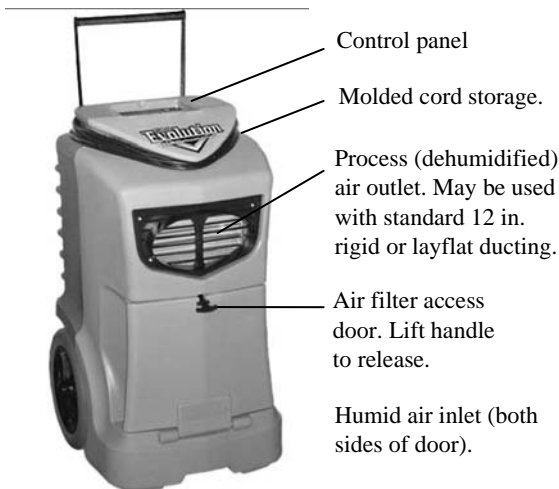
NOTE: Uncoil and straighten the entire drain hose. Do not leave any of part of the hose coiled on the unit and do not place the end of the hose higher than 20 ft. (6 m) above the top of the unit. Also check for kinks, or obstructions that would restrict the flow of water. Failure to do so may cause a water backup in the pump resulting in leakage.

Plug in electrical cord

The electrical cord is wrapped around the top of the unit. The Evolution will operate on any standard 115-volt (15 amp) grounded outlet.

If the unit experiences a loss of power, either from a power interruption or from thermal overload protection,

FIG. D: FRONT



let the unit rest for five minutes before restarting. Otherwise it might shut off again.

Turn the unit on

Press the “on” button on the touchpad.

How to use the control panel

The Touchpad on DrizAir dehumidifiers has one display and four keys. The normal display messages are

- DEHUMIDIFIER OFF
- DEHUMIDIFIER ON
- TOTAL HRS
- JOB HRS
- CMPRSR DELAY
- PUMP PURGING
- DEFROST ON
- GET SERVICE ERXX

When the unit is first connected to AC power, the touchpad display will cycle continuously through three messages: DEHUMIDIFER OFF, TOTAL HOURS, and JOB HOURS.

ON-OFF. Press the ON-OFF key to turn the unit on or off. When turning the machine on, usually the display reads CMPRSR DELAY and performs a numeral count down from a maximum of 60 seconds to 0. The compressor delay gives the machine time to warm up (when needed). If you don't see a compressor delay countdown, the machine is ready to go. Once the unit completes the CMPRSR DELAY, the display reads DEHUMIDIFIER ON, and continues to cycle between TOTAL HOURS, JOB HOURS and DEHUMIDIFIER ON. Press the ON-OFF key again to turn the unit off. The display will read DEHUMIDIFIER OFF.

DISPLAY. Press the DISPLAY key to stop the display at DEHUMIDIFER ON or OFF, TOTAL HOURS, or JOB HOURS as it cycles. Press DISPLAY again to re-start the display cycle.

How to change the language display

CAUTION: While in the change-language mode, pressing other keys can change the programming of the machine. Do NOT press other keys you're not instructed to press.

Use the DISPLAY key to change the display language. Follow these steps:

1. Unplug the unit.
2. While holding down the DISPLAY key, plug the unit in. The display reads ENGLISH.
3. To change to FRANCAIS, DEUTSCH, or ESPANOL, press the DISPLAY key or the CLEAR key.
4. When the desired language is shown in the display, unplug the unit, and the language is set.



CLEAR. Press the CLEAR key to reset the JOB HOURS

1. As the display cycles between DEHUMIDIFIER ON, JOB HOURS, and TOTAL HOURS, press the DISPLAY key when JOB HOURS appears on the screen. That will make the display read JOB HOURS steadily.
2. Then press the CLEAR key to re-set the numerals to 00000.
3. Press DISPLAY again to re-start the display cycle.
NOTE: the TOTAL HOURS reading cannot be re-set.



PURGE. Press the PURGE key to empty water from the pump reservoir. During normal operation, the pump purges automatically every six minutes, or whenever the reservoir is full. The display will read PUMP PURGING with a numeral countdown. To purge the pump manually:

1. Turn the power off using the OFF key, and let the unit sit plugged in for about 10 minutes. This allows water to drip from the coils.
2. Press PURGE to remove residual water.

Other Displays

Defrost cycle

During normal operation, frost may form on the coils. When this occurs, a temperature sensor detects the frost and initiates a defrost cycle. The display will read DEFROST ON. Dehumidification stops during the defrost cycle. When the unit completes the cycle, the display returns to DEHUMIDIFIER ON, and normal dehumidification resumes.

Error messages

If the onboard diagnostics discover a problem, the unit will display "GET SERVICE," followed by "ER" and a

numeral from 01 to 09. If this message appears, first follow these steps:

1. Unplug the unit and then plug it back in. This may re-set the electronics.
2. If the error message reappears, try the solution (if one is listed) in the "Error Messages," p. 5.
3. If the error message still appears, please contact the Dri-Eaz Service Department at 800-932-3030.

At the end of the job

As with all dehumidifiers, once the drying job is completed, it is important to make sure the unit is completely purged of water before moving it. **To ensure that all water has drained into the pump, turn the unit off, allow it to rest for 10 minutes, then press the PURGE button.** (The unit must be plugged in for the purge to operate.) Once the purge cycle is complete, unplug the unit and remove it promptly from the job.

MAINTENANCE

WARNING! ELECTRIC SHOCK HAZARD. Unplug the unit before performing any maintenance. Never use a water hose or pressure washer to clean coils, as water entering the electrical compartment could cause a shock hazard.

Before each use

Inspect the electrical cord for damage. Look for fraying, cuts, etc. Do not use the unit if you find any damage. Visit www.drieaz.com for the nearest Service Center or call 800-932-3030.

Inspect and vacuum filter as needed. Keep a clean filter in the unit at all times to protect internal components from dust and other particulate build-up. The Evolution is equipped with a 3M™ High Air-Flow filter. The HAF filter may be vacuumed clean and reused up to three times. **Do not rinse or wash the HAF filter,** as it will reduce the effectiveness of the electrostatic material.

Replace only with a new 3M HAF Filter (Dri-Eaz part no. F372). For parts and service call your local distributor or contact the Dri-Eaz Service Department at 800-932-3030.

CAUTION: Dust can cause the unit to overheat and shut down. Do not operate when excessive dust or airborne particles are present, such as during sanding or spray-painting. Inspect and clean air filter elements and coils frequently.

IMPORTANT: Replace the HAF filter whenever 1) it has been vacuumed clean 3 times or 2) it has been used on a mold remediation job or otherwise exposed to potentially dangerous contaminants.

Monthly

Check coils. Dirty coils can cause the unit to overheat. Clean when visibly dirty. See Fig. E.

1. Unplug unit
2. Remove housing, locate coils and allow coils to dry if wet.
3. Vacuum coils surfaces until clean, being careful not to let the nozzle touch the fins, as that may cause damage by bending them.

Check catch basin tray, and clean when dirt and debris are present.

1. Wipe clean with a rag.

Check drain hose.

1. Look for obstructions. Disconnect and clear any debris present.

2. Reattach gravity drain hose.

Inspect filter cover

1. Remove the filter cover (this can be done without removing the housing).
2. Vacuum off any visible dirt, or wash with mild soap and water.
3. Allow to dry thoroughly before replacing.

Annually

Have the pump system inspected by the Dri-Eaz

Service Department (800-932-3030) or by a qualified service center.

To access the Evolution LGR pump, remove the four bolts located at the bottom of the unit (Fig. F). Use a 3/8-in. nut driver or socket.

FIG. E: HOUSING ASSEMBLY

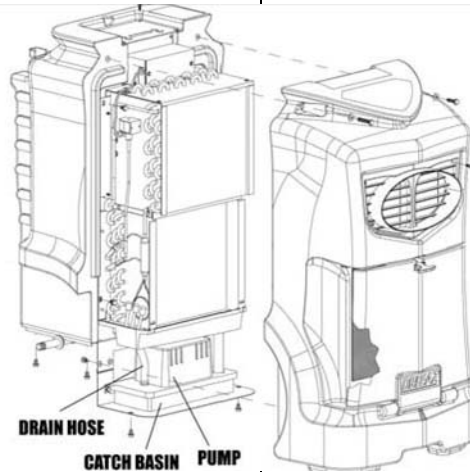
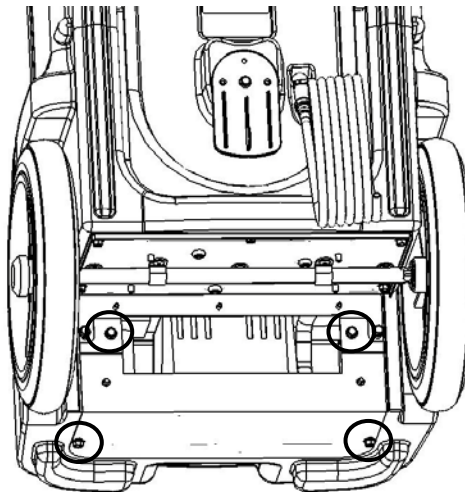


FIG. F: PUMP ACCESS PANEL



TRANSPORT AND STORAGE

NOTICE: Handle the unit carefully. Do not drop, throw, or place the unit where it could fall. Rough treatment can damage this equipment and may create a hazardous condition or void warranty.

IMPORTANT: Be sure to purge the water from the pump reservoir before moving the unit. See the PURGE function under “How to use the control panel” on page 4. Note

that the unit must be plugged in for the Purge function to operate.

1. Do not expose the control panel to moisture, snow or rain when transporting in uncovered vehicles.
2. Store and transport securely to avoid any damaging impact to internal parts.

To access the pump, remove the four bolts (circled) on the lower panel.

ERROR MESSAGES

The table below shows error message that the system may detect. If the display shows an “ER” message, first unplug the unit and then plug it back in. This may re-set the electronics, and if so, no further action is required. If the error message reappears, try the solution under “Explanation.” If this still does not fix the problem, contact your local authorized service center or the Dri-Eaz Service Department at 800-932-3030.

ERROR MESSAGE	EXPLANATION
ER 1, 2, 3, 5, 6	Problem with electronic control panel. Contact Dri-Eaz Service.
ER 4	Check the temperature or sensor cable. Contact Dri-Eaz Service for instructions.
ER 8	Check the touchpad key. Press and release each key several times.
ER 9	Check for obstructions or kinks in the drain hose.

TROUBLESHOOTING

FAULT	CAUSE	SOLUTION
Unit does not operate	No power to machine. Unit not switched on.	Plug in unit; check power at outlet and at base of unit. Switch unit on.
Compressor will not start	Unit needs 5 minutes before restart Overload preventing start up	Switch off unit, wait 5 minutes before starting.Reduce room temperature to 90°F (32°C) or less.
Blower wheel not turning	Obstructed blower.	Remove duct ring and grill. Remove obstruction. Replace duct ring and grill.
Unit operating, but room not dry	Not enough time to dry. Poor air movement in room. Excessive moist air infiltration.	Allow more time for drying. Increase air movement with air movers. Reduce infiltration.
Unit continuously in defrost mode	Room temperature too low	Increase room temperature.
Pump does not function	Stuck float valve	Clean float valve shaft.
Unit collects too little water	Room air is dry. Room temperature is too low. Airflow through unit is restricted	Check humidity with hygrometer. Increase room temperature. Check filter and coils; clean as necessary.
<p><i>If the problem you are experiencing is not listed here, call your local distributor or contact the Dri-Eaz Service Department toll-free at 800-932-3030.</i></p>		

SPECIFICATIONS

Model	Evolution LGR F292-A
Type	LGR
Refrigerant	R-410A
Use weight	92 lbs. 42 kg
Power	5 amps, 115 volts
Water removal AHAM (80°F/60% RH)	70 pts. 33 liters / day
Max process air	160 CFM 272 CMH
Operating Range	33–100°F 1–33°C
Air filter	3M HAF filter (part no. F372)
Power cord	25 ft. 7.6 m
Dimensions (H x D x W)	33.5 x 20.7 x 20.7 in. 85 x 52.5 x 52.5 cm
Construction	Rotomolded polyethylene housing
Safety	ETL certified to UL 474 and CSA 22.2 no. 92
<p>Specifications are subject to change without notice. Some values may be approximate.</p>	

Warranty information is available at www.dri-eaz.com.

Manual para el usuario del Deshumidificador Portátil Modelo Evolution LGR (115 V)

DRI-EAZ PRODUCTS, INC.

15180 Josh Wilson Road, Burlington, WA 98233

Teléfono: 800-932-3030 Fax: 360-757-7950 www.dri-eaz.com

El deshumidificador Dri-Eaz[®] Evolution LGR reduce la humedad en ambientes cerrados eliminando el vapor de agua que se encuentra en el aire. El modelo Evolution LGR está creado de modo que sea resistente, duradero y fácil de transportar, características que lo convierten en un elemento sumamente adecuado para la reparación de daños causados por el agua, el secado de estructuras, la construcción y otros usos para los que se necesita temporalmente un deshumidificador de alto rendimiento.

Patente n.º D508735

LEA Y GUARDE ESTAS INSTRUCCIONES

INSTRUCCIONES DE SEGURIDAD



¡ADVERTENCIA! Peligro de sufrir una descarga eléctrica, lastimarse con el ventilador rotatorio, quemarse con una superficie caliente. Desenchufe la unidad antes de abrir la tapa para limpiarla o repararla. La unidad debe tener descarga a tierra.

- Controle el cable de alimentación antes de usar. Si está dañado, no lo use. Para desenchufar el aparato, tire siempre del enchufe (nunca del cable).
- Coloque el enchufe de tres clavijas que está en el extremo del cable de alimentación en un tomacorriente con descarga a tierra adecuado. No use adaptadores. Nunca corte la tercera clavija. No use cables prolongadores.
- La unidad debe utilizarse en un circuito eléctrico de 115 V/60 Hz, protegido por un interruptor del circuito de fallos de conexión a tierra (GFCI, por sus siglas en inglés).
- Mantenga el motor y los cables secos. Si los componentes eléctricos se mojan, déjelos secar antes de usar el aparato.
- No lo utilice en agua estancada. No lo utilice en la lluvia ni en la nieve.
- No intente reparar la unidad. Para conocer los Centros de Servicio Técnico Autorizados, llame a Dri-Eaz al 800-932-3030.

ANTES DE COMENZAR

Cómo desembalar la unidad

Conserve todo el material de embalaje y las cajas por si tiene que devolver el equipo.

Registro de la garantía

Visite warranty.drieaz.com para registrar su compra. El registro nos permite brindarle mejor asistencia en el uso, el mantenimiento o la reparación de su equipo, y también comunicarnos con usted en caso de que tengamos información de seguridad importante sobre su producto de Dri-Eaz. Si considera que su producto necesita reparación, tenga a mano el modelo del equipo, el número de serie y el comprobante de compra original, y llame a su distribuidor para que lo ayude a obtener una autorización para devolver el producto (RMA, por sus siglas en inglés).

INTRODUCCIÓN

Los deshumidificadores reducen la humedad en ambientes cerrados eliminando el vapor de agua que se encuentra en el aire. Si se usa correctamente, el Evolution puede ayudar a secar alfombras, almohadillas para alfombras, pisos, paredes, elementos en el interior de una propiedad y más. También puede ayudar a prevenir daños secundarios causados por el exceso de humedad. Para obtener mejores resultados, cuando use los deshumidificadores Evolution coloque ventiladores TurboDryer de Dri-Eaz alrededor del perímetro de la habitación, a fin de distribuir la energía térmica y hacer que la humedad de las superficies mojadas se pierda en el aire.

Cómo funciona el deshumidificador Evolution LGR

Los deshumidificadores refrigerantes de Dri-Eaz hacen que el aire húmedo atraviese un evaporador cuyo serpentín está muy frío. La humedad del aire se condensa en el serpentín; el agua gotea y se acumula en un recipiente de recolección, y luego se elimina por una manguera. En determinados momentos, la máquina funciona en modo “descongelación”, ya que calienta la escarcha acumulada en el serpentín del evaporador y la convierte nuevamente en agua. La capacidad de intercambio de calor y descongelación de los deshumidificadores refrigerantes de grano bajo (LGR, por sus siglas en inglés) es superior a la de los deshumidificadores refrigerantes comunes. Además, pueden seguir eliminando humedad en ambientes más fríos y/o más secos.

DÓNDE COLOCAR UN DESHUMIDIFICADOR

Para obtener mejores resultados, utilice su deshumidificador en un espacio cerrado, lo que permite crear una cámara de secado. A fin de aumentar al máximo la eficacia de la unidad para eliminar el agua, cierre todas las puertas y ventanas que den al exterior. Además, trate de que el tránsito dentro de la cámara de secado sea mínimo. Coloque su deshumidificador Evolution contra una pared, lejos de cualquier elemento que lo obstruya, y manténgalo alejado de cualquier

objeto que pueda bloquear el flujo de aire que entra y sale de la unidad.

IMPORTANTE: Antes de mover la unidad, asegúrese de que no haya agua en la bomba. Consulte “Cómo usar el panel de control” en la página 9 para obtener información sobre el uso de la función PURGAR.

Cómo controlar el aumento de temperatura

Es fundamental controlar la temperatura del ambiente que debe secarse. La manera más exacta de controlar la temperatura es con un termohigrómetro, pero también puede usar un termómetro de interior/exterior. Para mayor exactitud, tome la temperatura en el centro de la habitación, lejos del flujo de aire del deshumidificador.

Los deshumidificadores Dri-Eaz calientan el aire a medida que eliminan la humedad. Las temperaturas de secado óptimas varían de 68 a 85 °F (20 a 29 °C). Por esa razón, puede ser necesario usar el sistema de calefacción, ventilación y aire acondicionado (HVAC, por sus siglas en inglés) del edificio. Si no tiene un sistema de calefacción y refrigeración en el lugar, comuníquese con Dri-Eaz al 800-932-3030 para que un técnico especialista lo ayude a encontrar una solución apropiada.

Para obtener más información sobre cómo crear un ambiente de secado óptimo, llame a Dri-Eaz al 800-932-3030.

IDENTIFICACIÓN DE LAS PARTES

FIG. A: PARTE DE ATRÁS

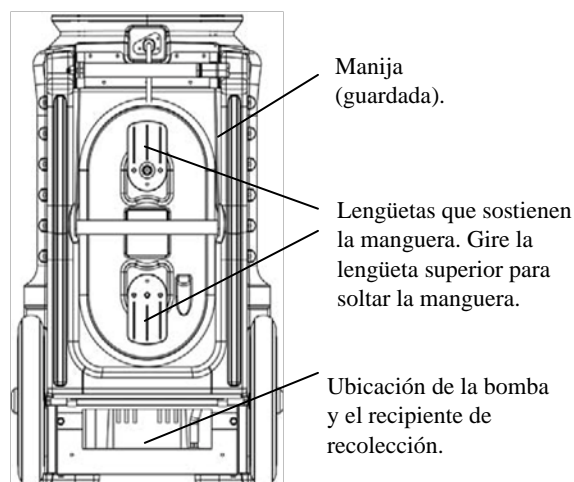


FIG. B: FIJACIÓN DE LA MANIJA

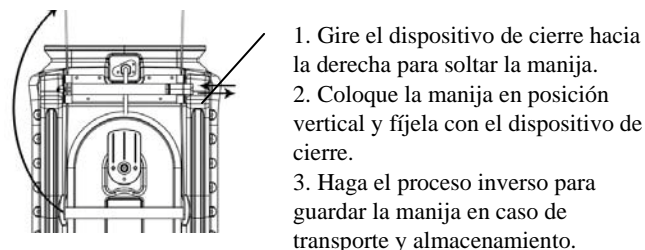
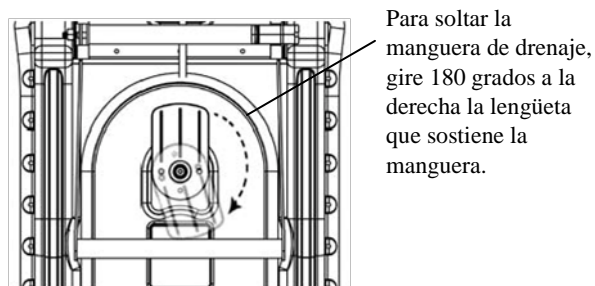


FIG. C: ALMACENAMIENTO DE LA MANGUERA



CÓMO USAR SU DESHUMIDIFICADOR

Coloque la unidad en posición vertical

Siempre use el deshumidificador en posición vertical. Si la unidad ha sido almacenada o transportada en posición horizontal, enderécela y déjela en posición vertical durante al menos 30 minutos antes de prenderla. En caso de que el aceite del compresor haya fluido hacia los serpentines refrigerantes, esto permitirá que dicho aceite vuelva al compresor y que el deshumidificador funcione correctamente.

Coloque la manguera de drenaje

La bomba del Evolution LGR se conecta a una manguera de drenaje plástica, que se encuentra enrollada en la parte de atrás de la unidad (vea la Fig. A). Para sacar la manguera, gire la bobina superior de la cavidad para guardar la manguera hacia cualquiera de los lados; tire la lengüeta hacia afuera hasta que pueda girarla (vea la Fig. C). Gire la lengüeta hacia la derecha o la izquierda hasta que apunte hacia abajo. Esto permite sacar toda la manguera con facilidad y rapidez. Coloque el extremo suelto de la manguera en una pila, un desagadero, un balde o incluso afuera: en cualquier lugar donde el agua pueda drenar de forma segura.

NOTA: Desenrosque y estire toda la manguera de drenaje. No deje ninguna parte de la manguera enroscada en la unidad ni coloque el extremo de la manguera a más de 20 pies (6 m) por encima de la parte superior de la unidad. Controle también que no haya dobleces u obstrucciones que impidan el paso del agua. De lo contrario, es posible que la bomba se tape y pierda agua.

Enchufe el cable eléctrico

El cable eléctrico está enrollado en la parte superior de la unidad. El Evolution puede enchufarse en cualquier tomacorriente estándar de 115 voltios (15 amperios) con

FIG. D: FRENTE



descarga a tierra.

Si la unidad pierde potencia, ya sea debido a una interrupción de la energía o a la protección contra sobrecarga térmica, deje descansar la unidad cinco minutos antes de volver a prenderla. De lo contrario, podría dejar de funcionar otra vez.

Prenda la unidad

Presione el botón "prendido" de la placa sensible al tacto.

Cómo usar el panel de control


La placa sensible al tacto de los deshumidificadores DrizAir posee una pantalla y cuatro teclas. Los mensajes normales que aparecen en la pantalla son:

DESHUMIDIFICADOR APAGADO	RETAR COMPRS
DESHUMIDIFICADOR PRENDIDO	BOMBA PURGANDO
TOTAL DE HORAS	DESCONGELADOR PRENDIDO
HORAS DE TRABAJO	SOLICITAR SERVICIO ERXX

Cuando la unidad se enchufa por primera vez a la corriente alterna, la pantalla de la placa sensible al tacto mostrará continuamente tres mensajes que alternan entre sí: DESHUMIDIFICADOR APAGADO, TOTAL DE HORAS y HORAS DE TRABAJO.

PRENDIDO-APAGADO. Presione la tecla PRENDIDO-APAGADO para prender o apagar la unidad. Cuando se prende la máquina, suele aparecer en la pantalla la leyenda RETAR COMPRS y se produce una cuenta regresiva que va desde un máximo de 60 segundos hasta 0. Este retardo del compresor permite que la máquina se vaya precalentando (de ser

necesario). Si no aparece una cuenta regresiva por el retardo del compresor, significa que la máquina está lista para empezar a funcionar. Una vez que desaparece la leyenda RETAR COMPRS, aparece en la pantalla DESHUMIDIFICADOR PRENDIDO, y se alternan los mensajes TOTAL DE HORAS, HORAS DE TRABAJO y DESHUMIDIFICADOR PRENDIDO. Vuelva a presionar la tecla PRENDIDO-APAGADO para apagar la unidad. En la pantalla aparecerá DESHUMIDIFICADOR APAGADO.


 **VISUALIZAR.** Presione la tecla VISUALIZAR para elegir uno de los tres mensajes que alternan en la pantalla: DESHUMIDIFICADOR PRENDIDO o APAGADO, TOTAL DE HORAS u HORAS DE TRABAJO. Vuelva a presionar VISUALIZAR para reiniciar el ciclo de visualización.

Cómo cambiar el idioma que aparece en la pantalla

ADVERTENCIA: Presionar otras teclas durante el modo de cambio de idioma puede ocasionar que se modifique la programación de la máquina. NO presione ninguna otra tecla que no figure en las instrucciones.


Use la tecla VISUALIZAR para cambiar el idioma que aparece en la pantalla. Siga estos pasos:

1. Desenchufe la unidad.
2. Mientras presiona la tecla VISUALIZAR, enchufe la unidad. En la pantalla dice INGLÉS.
3. Para cambiar a FRANCÉS, ALEMÁN o ESPAÑOL, presione la tecla VISUALIZAR o la tecla BORRAR.
4. Cuando en la pantalla aparezca el idioma que usted quiere, desenchufe la unidad para fijarlo.

 **BORRAR.** Presione la tecla BORRAR para reiniciar las HORAS DE TRABAJO.

1. En la pantalla aparecen en forma alternada DESHUMIDIFICADOR PRENDIDO, HORAS DE TRABAJO y TOTAL DE HORAS. Cuando aparezca HORAS DE TRABAJO, presione la tecla VISUALIZAR. De esa manera, HORAS DE TRABAJO quedará fijo en la pantalla.
2. Luego presione la tecla BORRAR para que los números vuelvan a 00000.
3. Vuelva a presionar VISUALIZAR para reiniciar el ciclo de visualización.

NOTA: No se puede reiniciar el TOTAL DE HORAS.

 **PURGAR.** Presione la tecla PURGAR para vaciar el agua que se encuentra en el depósito de la bomba. Durante el funcionamiento normal, la bomba se purga automáticamente cada seis minutos, o cada vez que el depósito esté lleno. En la pantalla se verá BOMBA

PURGANDO y una cuenta regresiva. Para purgar la bomba en forma manual:

1. Presione la tecla APAGADO para que la unidad deje de funcionar, pero manténgala enchufada unos diez minutos. Esto permite que el agua gotee de los serpentines.
2. Presione PURGAR para eliminar el agua residual.

Otras leyendas

Ciclo de descongelación

Durante el funcionamiento normal, puede formarse escarcha en los serpentines. Cuando esto sucede, un sensor de temperatura detecta la escarcha y comienza el ciclo de descongelación. En la pantalla aparecerá DESCONGELADOR PRENDIDO. Durante este ciclo, la deshumidificación se detiene. Cuando la unidad finalice el ciclo, en la pantalla aparecerá nuevamente DESHUMIDIFICADOR PRENDIDO y se reanuda la deshumidificación normal.

Mensajes de error

Si el sistema de diagnóstico integrado detecta un problema, la unidad mostrará el mensaje "SOLICITAR SERVICIO" seguido de "ER" y un número del 01 al 09. Si aparece dicho mensaje, siga estas instrucciones:

1. Desenchufe la unidad y vuélvala a enchufar para que se reinicien los componentes electrónicos.
2. Si vuelve a aparecer el mensaje de error, pruebe la solución (si figura) que se indica en la sección "Mensajes de error" de la página 12.
3. Si sigue apareciendo el mensaje de error, comuníquese con el Departamento de Servicio Técnico de Dri-Eaz al 800-932-3030.

Al finalizar el trabajo

Como con todos los deshumidificadores, una vez finalizada la tarea de secado, es importante asegurarse de que la unidad no contenga agua antes de moverla.

Para asegurarse de que toda el agua haya drenado hacia la bomba, apague la unidad, manténgala 10 minutos apagada y después presione el botón PURGAR. (Para que purgue, la unidad debe estar enchufada). Una vez finalizado el ciclo de purgado, desenchufe la unidad y quítela de inmediato de la zona de trabajo.

MANTENIMIENTO

¡ADVERTENCIA! PELIGRO DE DESCARGA ELÉCTRICA. Desenchufe el deshumidificador antes de realizar cualquier tarea de mantenimiento. Nunca limpie los serpentines con una manguera de agua o una hidrolavadora, ya que el agua que ingresa en los compartimentos eléctricos puede provocar una descarga eléctrica.

Antes de cada uso

Controle el cable eléctrico para detectar daños.

Fíjese que el cable no esté pelado, cortado, etc. No use la unidad si detecta algún daño. Para conocer el Centro de Servicio Técnico más cercano, llame a Dri-Eaz al 800-932-3030.

Controle y aspire el filtro cuando sea necesario.

Tenga siempre un filtro limpio en la unidad para proteger los componentes internos contra la acumulación de polvo y otras partículas. El modelo Evolution está equipado con un filtro para alto flujo de aire High Air-Flow (HAF) de 3M™. El filtro para HAF se puede limpiar con aspiradora y volver a usar hasta tres veces. **No enjuague ni lave el filtro para HAF**, ya que reducirá la eficacia del material electrostático.

Reemplácelo únicamente con un filtro para HAF de 3M nuevo (pieza n.º F372 de Dri-Eaz). Para solicitar piezas y servicio técnico, llame al distribuidor de su zona o comuníquese con el Departamento de Servicio Técnico de Dri-Eaz al 800-932-3030.

ADVERTENCIA: El polvo puede hacer que la unidad se recaliente y se apague. No utilice el equipo cuando haya exceso de polvo o partículas en el aire, por ejemplo durante el lijado o la pintura con pulverizador. Controle y limpie los serpentines y los componentes del filtro de aire con frecuencia.

IMPORTANTE: Reemplace el filtro para HAF cuando 1) lo haya limpiado con la aspiradora tres veces o 2) haya sido utilizado en tareas de eliminación de moho o haya sido expuesto a sustancias contaminantes potencialmente peligrosas.

Una vez al mes

Controle los serpentines. Los serpentines sucios pueden hacer que la unidad se recaliente. Límpielos cuando los note sucios. Vea la Fig. E.

1. Desenchufe la unidad.

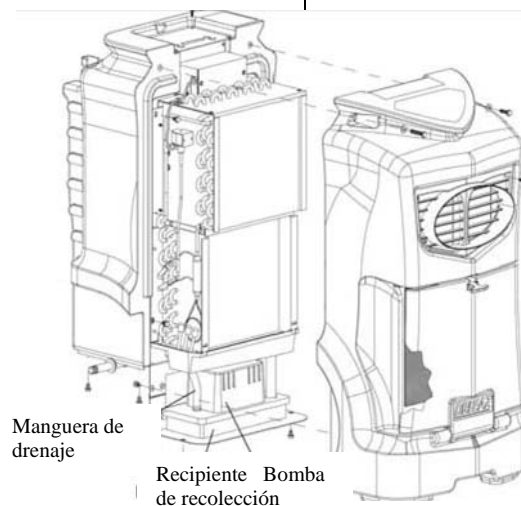
2. Retire la carcasa, busque los serpentines y déjelos secar si están húmedos.

3. Aspire las superficies de los serpentines hasta que estén limpias; tenga cuidado de que la boquilla de la aspiradora no toque las aletas, ya que si se doblan podrían dañarse.

Verifique el recipiente de recolección y límpielo si está sucio.

1. Límpielo con un trapo.

FIG. E: ARMADO DE LA CARCASA



Verifique la manguera de drenaje.

1. Si nota alguna obstrucción, desconecte la manguera y límpiela.
2. Vuelva a colocar la manguera de drenaje por gravedad.

Controle la tapa del filtro

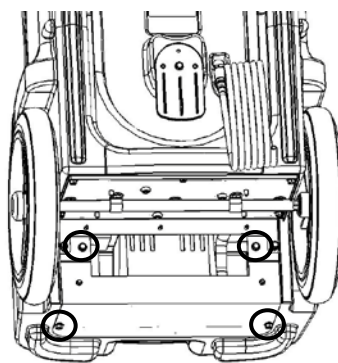
1. Retire la tapa del filtro (no es necesario retirar la carcasa).
2. Aspire todo lo que vea sucio o lave con jabón neutro y agua.
3. Permita que se seque por completo antes de volver a colocarla.

Una vez al año

Llame al Departamento de Servicio Técnico de Dri-Eaz (800-932-3030) o a un centro de servicio técnico habilitado para que controle el sistema de la bomba.

Para acceder a la bomba del Evolution LGR, quite los cuatro tornillos del panel vertical para acceder a la bomba. Use un destornillador o una llave de tuercas de 3/8 pulgadas (9.5 mm).

FIG. F: PANEL DE ACCESO A LA BOMBA



Quite los cuatro tornillos del panel vertical para acceder a la bomba.

TRANSPORTE Y ALMACENAMIENTO

AVISO: Manipule la unidad con cuidado. No la tire ni la apoye en lugares donde pueda caerse. Si no trata este equipo con cuidado, puede dañarse y ocasionar algún peligro, o la garantía puede quedar anulada.

IMPORTANTE: Antes de mover la unidad, asegúrese de purgar el agua que se encuentra en el depósito de la bomba. Consulte "Cómo usar el panel de control" en la página 10 para obtener información sobre el uso de la función PURGAR. Tenga en cuenta que, para que la opción PURGAR funcione, la unidad debe estar enchufada.

1. No exponga el panel de control a humedad, nieve o lluvia cuando lo transporte en vehículos descubiertos.

2. Transpórtelo y almacénelo de manera segura para evitar cualquier impacto que dañe las partes internas.

MENSAJES DE ERROR

El siguiente cuadro muestra los mensajes de error que puede detectar el sistema. Si en la pantalla hay un mensaje que dice "ER", desenchufe la unidad y vuelva a enchufarla. Es posible que se reinicien los componentes electrónicos; en ese caso, no hay que hacer nada más. Si el mensaje de error vuelve a aparecer, pruebe con la solución que se indica en "Explicación". Si persiste el problema, comuníquese con el centro de servicio técnico autorizado de su zona o con el Departamento de Servicio Técnico de Dri-Eaz al 800-932-3030.

MENSAJE DE ERROR	EXPLICACIÓN
ER 1, 2, 3, 5, 6	Problema con el panel de control electrónico. Comuníquese con el Departamento de Servicio Técnico de Dri-Eaz.
ER 4	Verifique la temperatura o el cable del sensor. Comuníquese con el Departamento de Servicio Técnico de Dri-Eaz para que le den instrucciones.
ER 8	Verifique las teclas de la placa sensible al tacto. Presione y suelte cada tecla varias veces.
ER 9	Controle que no haya obstrucciones ni dobleces en la manguera de drenaje.

DETECCIÓN DE PROBLEMAS

FALLA	MOTIVO	SOLUCIÓN
La unidad no funciona.	La máquina no recibe electricidad. Unidad desenchufada.	Enchufe la unidad; revise la electricidad en el tomacorriente y en la base de la unidad. Préndala.
El compresor no funciona.	La unidad tarda 5 minutos en volver a funcionar. La sobrecarga no permite que funcione.	Apague la unidad y espere 5 minutos antes de volver a prenderla. Reduzca la temperatura de la habitación a 90 °F (32 °C) o menos.
La rueda del soplador no gira.	Soplador obstruido.	Quite el aro del conducto y la rejilla. Desobstruya. Vuelva a colocar el aro del conducto y la rejilla.
La unidad funciona, pero la habitación no se seca.	Tiempo de secado insuficiente. Poca circulación de aire en la habitación. Infiltración excesiva de aire húmedo.	Permita más tiempo de secado. Aumente la circulación de aire con ventiladores. Reduzca la infiltración.
La unidad está continuamente en modo "descongelación".	La temperatura de la habitación es demasiado baja.	Aumente la temperatura de la habitación.
La bomba no funciona.	La válvula del flotador está atorada.	Limpie el eje de la válvula del flotador.
La unidad junta muy poca agua.	El aire de la habitación está seco. La temperatura de la habitación es demasiado baja. El flujo de aire que circula por la unidad está restringido.	Controle la humedad con un higrómetro. Aumente la temperatura de la habitación. Controle el filtro y los serpentines; límpielos si es necesario.
<p><i>Si su problema no está incluido aquí, llame al distribuidor de su zona o comuníquese sin cargo con el Departamento de Servicio Técnico de Dri-Eaz al 800-932-3030.</i></p>		

ESPECIFICACIONES

Modelo	Evolution LGR F292-A
Tipo	LGR (refrigerantes de grano bajo)
Refrigerante	R-410A
Peso	92 lb 42 kg
Potencia	5 A, 115 V
Eliminación de agua según AHAM (80 °F [26.5 °C]/60% de humedad relativa)	70 pt 33 l por día
Cantidad máxima de aire procesado	160 cfm 272 m ³ /h
Radio de funcionamiento	33–100 °F 1–33 °C
Filtro de aire	Filtro HAF para alto flujo de aire, de 3M (pieza n.º F372)
Cable de alimentación	25 ft 7.6 m
Dimensiones (altura x profundidad x ancho)	33.5 x 20.7 x 20.7 in 85 x 52.5 x 52.5 cm
Construcción	Carcasa rotomoldeada de polietileno
Seguridad	Certificación de ETL conforme a las normas UL 474 y CSA 22.2 № 92
Las especificaciones están sujetas a cambios sin previo aviso. Algunos valores pueden ser aproximados.	

La información sobre la garantía está disponible en www.dri-eaz.com.

Guide d'utilisation

Déshumidificateur portable Evolution LGR (115 V)

DRI-EAZ PRODUCTS, INC.

15180 Josh Wilson Road, Burlington, WA 98233 - États-Unis
Téléphone : 800-932-3030 Télécopie : 360-757-7950 www.dri-eaz.com

L'appareil Dri-Eaz® Evolution LGR réduit l'humidité dans les environnements structuraux fermés en éliminant la vapeur contenue dans l'air. L'Evolution LGR est robuste, durable, facilement transportable et, par conséquent, il est l'outil parfait pour tout projet de restauration à la suite de dégâts causés par l'eau, pour le séchage structural et la construction, ainsi que pour d'autres applications exigeant une déshumidification temporaire d'une très grande efficacité.

Brevet N° D508735

LIRE ET CONSERVER CES INSTRUCTIONS

CONSIGNES DE SÉCURITÉ



AVERTISSEMENT ! Risque d'électrocution, ventilateur en rotation, dangers liés aux surfaces chaudes. Débranchez l'appareil avant d'ouvrir le couvercle pour tout nettoyage ou entretien. L'appareil doit être mis à la terre.

- Vérifiez le cordon d'alimentation avant utilisation. N'utilisez pas l'appareil si le cordon est endommagé. Saisissez toujours la fiche (et non pas le cordon) pour débrancher.
- Introduisez la fiche à trois broches du cordon d'alimentation dans une prise électrique correspondante mise à la terre. N'utilisez pas d'adaptateur. Ne coupez jamais la troisième broche. N'utilisez pas de rallonge électrique.
- L'appareil doit être branché sur un circuit de 115 V/60 Hz protégé par un disjoncteur de fuite à la terre.
- Le moteur et le câblage doivent rester secs. Si les composants électriques sont mouillés, attendre qu'ils soient secs avant toute utilisation.
- N'utilisez jamais l'appareil dans une pièce inondée. N'utilisez jamais l'appareil sous la pluie ou dans la neige.
- N'essayez pas de réparer l'appareil. Pour obtenir une liste des centres d'entretien agréés, appelez Dri-Eaz au 800-932-3030.

AVANT DE COMMENCER

Déballage de l'appareil

Conservez tout le matériel d'emballage et les cartons pour un renvoi éventuel.

Enregistrement de la garantie

Allez sur le site warranty.drieaz.com pour enregistrer votre achat. L'enregistrement nous permet de mieux vous aider avec l'utilisation, la maintenance et la réparation de votre équipement, et nous pourrions ainsi vous contacter si nous avons des informations importantes sur la sécurité de votre produit Dri-Eaz. Si vous estimez qu'un entretien est nécessaire, soyez prêt à fournir le modèle, le numéro de série et la preuve d'achat initial de l'appareil lorsque vous appelez votre distributeur pour obtenir une autorisation de renvoi de matériel.

INTRODUCTION

Les déshumidificateurs réduisent l'humidité dans les environnements structuraux fermés en éliminant la vapeur contenue dans l'air. Lorsqu'il est utilisé correctement, l'Evolution aidera à sécher les moquettes, les sous-tapis, les planchers, les murs, le contenu d'un bâtiment, et bien plus. L'utilisation d'un déshumidificateur peut également aider à prévenir des dommages secondaires causés par un taux d'humidité élevé. Pour obtenir les meilleurs résultats possibles, utilisez le déshumidificateur Evolution avec les appareils de ventilation TurboDryer de Dri-Eaz, en les plaçant sur le périmètre de la pièce afin de distribuer l'énergie thermique et de libérer dans l'air l'humidité provenant des surfaces mouillées.

Fonctionnement du déshumidificateur Evolution LGR

Les déshumidificateurs réfrigérants Dri-Eaz fonctionnent en attirant l'air humide à travers un serpentin évaporateur extrêmement froid. L'humidité de l'air se condense sur le serpentin et s'égoutte dans un bac de récupération. L'eau est recueillie dans un plateau, puis est pompée à travers un tuyau. Sous certaines conditions, l'appareil fonctionne en mode de dégivrage, réchauffe tout le givre qui aurait pu s'accumuler sur le serpentin évaporateur et le transforme en eau. Les déshumidificateurs réfrigérants à faible grain (LGR) ont une capacité d'échange thermique et de dégivrage supérieure aux déshumidificateurs réfrigérants ordinaires; ils peuvent donc continuer d'absorber l'humidité dans des environnements plus froids et/ou plus secs.

POSITIONNEMENT DU DÉSHUMIDIFICATEUR

Pour obtenir les meilleurs résultats possibles, faites fonctionner votre déshumidificateur dans un espace clos, afin de créer une chambre de séchage. Fermez toutes les portes et fenêtres qui s'ouvrent vers l'extérieur afin de permettre à l'appareil d'éliminer l'eau le plus efficacement possible. Veuillez également réduire au minimum les allées et venues dans la chambre de séchage. Placez votre déshumidificateur Evolution contre un mur, loin de tout obstacle, et loin de tout objet qui pourrait bloquer le débit d'air qui entre et sort de l'appareil.

IMPORTANT : Avant de déplacer l'appareil, vérifiez qu'il n'y a pas d'eau dans la pompe. Voir la fonction PURGE au paragraphe « Mode d'emploi du panneau de commande » page 16.

Contrôle de l'augmentation de température

Le contrôle de la température d'un environnement de séchage est critique. La façon la plus précise de mesurer la température est d'utiliser un thermohygromètre; vous pouvez toutefois utiliser un thermomètre intérieur/extérieur pour évaluer la température. Pour plus de précision, mesurez la température au centre de la pièce, loin du flux du déshumidificateur.

Les déshumidificateurs DrizAir réchauffent l'air en éliminant l'humidité. Les températures de séchage optimales varient entre 20 et 29 °C (68 à 85 °F). Vous aurez peut-être à utiliser le système CVCA (chauffage ou climatisation) du bâtiment. S'il n'y a pas de système CVCA sur place, appelez Dri-Eaz au 888-932-3030, et un spécialiste vous aidera à trouver une solution appropriée.

Pour obtenir plus d'informations sur la création d'un environnement de séchage optimal, contactez Dri-Eaz au 800-932-3030.

IDENTIFICATION DES PIÈCES

FIG. A : ARRIÈRE

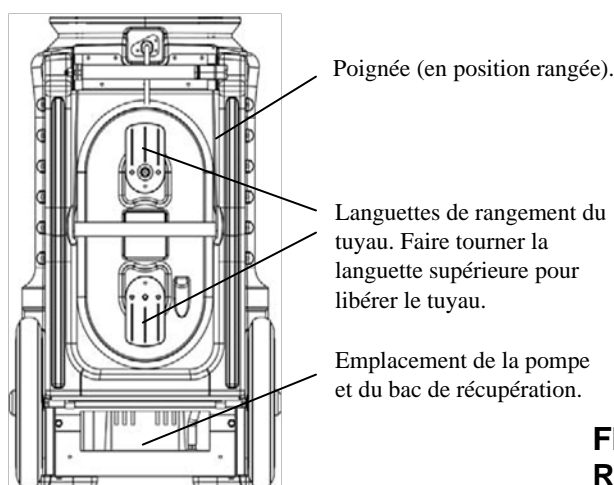


FIG. B : FIXATION DE LA POIGNÉE

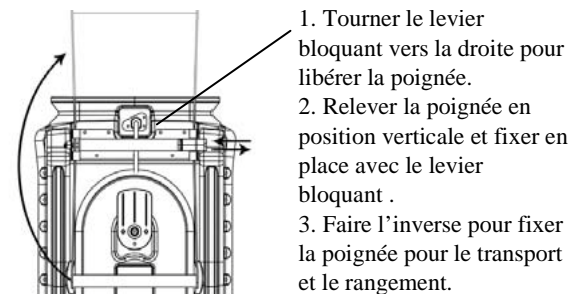
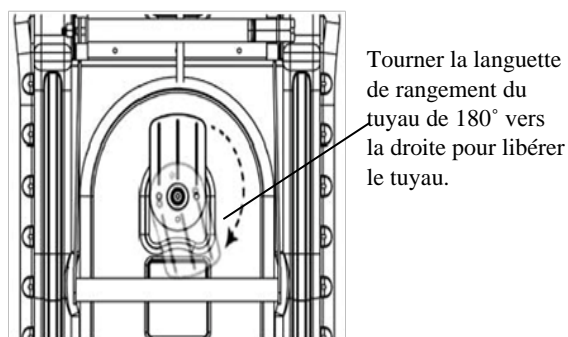


FIG. C : RANGEMENT DU TUYAU



FONCTIONNEMENT DU DÉSHUMIDIFICATEUR

Placement vertical de l'appareil

Ne faites fonctionner le déshumidificateur qu'en position verticale. Si l'appareil a été entreposé ou transporté en position horizontale, placez-le en position verticale et attendez au moins 30 minutes avant de le mettre en marche. Cela permettra à l'huile du compresseur qui aurait coulé dans les serpentins réfrigérants de repasser dans le compresseur et permettre au déshumidificateur de fonctionner correctement.

Pose du tuyau de vidange

La pompe de l'Evolution LGR est raccordée à un tuyau de vidange en plastique. Il se trouve sur l'enrouleur de tuyau, situé à l'arrière de l'appareil (voir Fig. A). Le tuyau se libère en faisant tourner le dévidoir supérieur de l'enrouleur d'un côté ou de l'autre; tirez la languette vers l'extérieur pour pouvoir la faire tourner (voir Fig. C). Faites tourner la languette vers la droite ou la gauche jusqu'à ce qu'elle soit dirigée vers le bas.

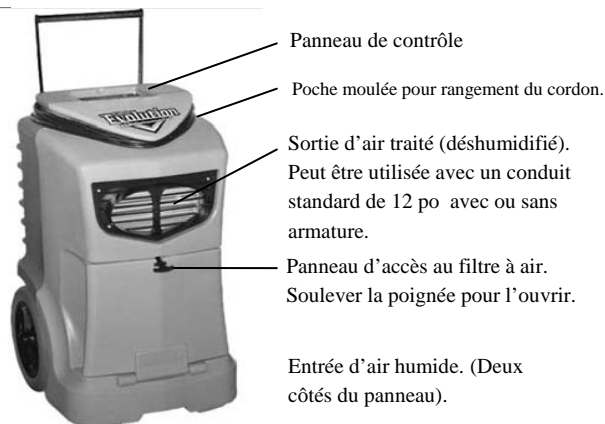
Il sera alors plus facile de sortir tout le tuyau rapidement. Placez l'extrémité libre du tuyau dans un évier, un drain, un seau, ou même à l'extérieur, dans un endroit où l'eau peut s'écouler sans danger.

REMARQUE : Déroulez et redressez le tuyau de vidange au complet. Ne laissez aucune partie du tuyau enroulée sur l'appareil et ne placez pas l'extrémité du tuyau à une hauteur supérieure à 6 m (20 pi) au-dessus de l'appareil. Assurez-vous également de l'absence de coude et d'obstruction qui pourraient restreindre le débit de l'eau. L'eau pourrait remonter dans la pompe si cela se produisait, et vous auriez des fuites.

Branchement du cordon électrique

Le cordon d'alimentation électrique est enroulé sur le dessus de l'appareil. Le déshumidificateur Evolution

FIG. D : AVANT



peut être branché sur une prise de 115 volts (15 ampères) mise à la terre, standard dans la plupart des habitations.

En cas de panne d'alimentation due soit à une interruption du courant ou à une protection de surcharge thermique, attendre cinq minutes avant de remettre l'appareil en marche. Sinon, il risque de s'éteindre à nouveau.

Mise en marche de l'appareil

Appuyez sur le bouton « MARCHE » du clavier tactile.

Mode d'emploi du panneau de commande


Le clavier tactile des déshumidificateurs DrizAir comprend un écran et quatre touches. Les messages normaux affichés sont :

DÉSHUMIDIFICATEUR ARRÊTÉ	COMP. DIFFÉRÉ
DÉSHUMIDIFICATEUR EN MARCHÉ	PURGE POMPE
HRS TOTALES	DÉGIVRAGE EN MARCHÉ
HRS TRAVAIL	OBTENIR SERVICE ERXX

Lorsque l'appareil est branché sur le secteur, le clavier tactile affiche trois messages en continu :
DÉSHUMIDIFICATEUR ARRÊTÉ, HEURES TOTALES ET HEURES TRAVAIL.

MARCHE-ARRÊT. Appuyez sur la touche MARCHE-ARRÊT pour mettre l'appareil en marche ou pour l'arrêter. Lorsque l'appareil se met en marche, l'écran indique généralement COMP. DIFFÉRÉ et effectue un compte à rebours de 60 secondes maximum. Si vous ne voyez pas de compte à rebours du compresseur différé, l'appareil est prêt à fonctionner. Lorsque l'appareil a terminé le compte à rebours, l'écran affiche DÉSHUMIDIFICATEUR EN MARCHÉ et effectue un cycle entre HEURES TOTALES, HEURES TRAVAIL ET DÉSHUMIDIFICATEUR EN MARCHÉ.

Appuyez une nouvelle fois sur la touche MARCHE-ARRÊT pour arrêter l'appareil. DÉSHUMIDIFICATEUR ARRÊTÉ s'affiche.


 **AFFICHAGE.** Appuyez sur la touche AFFICHAGE pour arrêter l'affichage sur DÉSHUMIDIFICATEUR EN MARCHE ou ARRÊTÉ, HEURES TOTALES ou HEURES TRAVAIL lors du cycle. Appuyez une nouvelle fois sur la touche AFFICHAGE pour redémarrer le cycle.

Changement de la langue de l'affichage


MISE EN GARDE : En mode de changement de langue, la programmation de l'appareil peut être modifiée si vous pressez sur d'autres touches. NE pressez que sur les touches indiquées.

Utilisez la touche AFFICHAGE pour changer la langue de l'affichage.
Étapes à suivre :

1. Débranchez l'appareil.
2. Tout en maintenant la touche AFFICHAGE enfoncée, rebranchez l'appareil. ENGLISH est affiché.
3. Pour passer à FRANCAIS, DEUTSCH, ou ESPANOL, appuyez sur la touche AFFICHAGE ou la touche EFFACER.
4. Une fois que la langue désirée s'affiche, débranchez l'appareil pour valider celle-ci.

 **EFFACER.** Appuyez sur la touche EFFACER pour remettre les HEURES TRAVAIL à zéro.

1. Durant le cycle d'affichage entre DÉSHUMIDIFICATEUR EN MARCHE, HEURES TRAVAIL, et HEURES TOTALES, appuyez sur la touche AFFICHAGE quand HEURES TRAVAIL apparaît à l'écran. L'affichage HEURES TRAVAIL restera.
 2. Appuyez ensuite sur la touche EFFACER pour remettre le compteur à 00000.
 3. Appuyez une nouvelle fois sur la touche AFFICHAGE pour redémarrer le cycle.
- REMARQUE : L'affichage HEURES TOTALES ne peut pas être remis à zéro.

 **PURGE.** Appuyez sur la touche PURGE pour vidanger l'eau du réservoir de la pompe. Lors d'un fonctionnement normal, la pompe effectue automatiquement une purge toutes les six minutes, ou chaque fois que le réservoir est plein. L'affichage indique PURGE POMPE avec un compte à rebours. Pour vidanger la pompe manuellement :

1. Éteignez l'appareil à l'aide de la touche ARRÊT et laissez l'appareil débranché pendant environ 10 minutes. Ceci permet à l'eau de s'écouler des serpentins.

2. Appuyez sur PURGE pour évacuer toute l'eau restante.

Autres affichages

Cycle de dégivrage

Durant le fonctionnement normal, du givre peut s'accumuler sur les serpentins. Dans ce cas, la sonde de température détecte le givre et entraîne le démarrage du cycle de dégivrage. DÉGIVRAGE EN MARCHE s'affiche. La déshumidification s'arrête durant le cycle de dégivrage. Lorsque l'appareil a terminé le cycle, DÉSHUMIDIFICATEUR EN MARCHE s'affiche à nouveau et la déshumidification reprend.

Messages d'erreur

Lorsque les diagnostics intégrés détectent un problème, l'appareil affiche « OBTENIR SERVICE », suivi de « ER » et d'un chiffre entre 01 et 09. Si ce message s'affiche, suivez les étapes suivantes :

1. Débranchez l'appareil et rebranchez-le. Ceci peut réinitialiser les composants électroniques.
2. Si le message d'erreur réapparaît, essayez la solution indiquée (s'il y en a une) dans la liste « Messages d'erreur », p. 19.
3. Si le message d'erreur est toujours présent, veuillez contacter le Service technique de Dri-Eaz au 800-932-3030.

Après chaque utilisation

Comme pour tous les déshumidificateurs, une fois le travail de séchage terminé, il est important de vérifier que l'appareil est complètement purgé de son eau avant de le déplacer. **Pour vous assurer que toute l'eau s'est écoulée dans la pompe, arrêtez l'appareil, attendez 10 minutes, puis appuyez sur le bouton PURGE.** (L'appareil doit être branché pour que l'opération de purge se fasse.) Une fois l'opération de purge terminée, débranchez l'appareil et retirez-le rapidement du site.

ENTRETIEN

AVERTISSEMENT! RISQUE DE DÉCHARGE ÉLECTRIQUE. Débranchez l'appareil avant de procéder à tout entretien. N'utilisez jamais de tuyau d'arrosage ni de nettoyeur à haute pression pour nettoyer les serpentins; l'eau pourrait pénétrer dans le compartiment électrique et poser un risque d'électrocution.

Avant chaque utilisation

Regardez si le cordon électrique est intact (absence d'effilochage, de coupures, etc.) N'utilisez pas l'appareil si le cordon est abîmé. Appelez Dri-Eaz au 800-932-3030 pour obtenir les coordonnées du centre de services le plus proche.

Examinez et nettoyez le filtre avec un aspirateur selon le besoin. Conservez toujours un filtre propre dans l'appareil afin de protéger les composants internes contre l'accumulation de poussière et autres particules. L'Evolution est équipé d'un filtre à débit d'air élevé 3M™. Le filtre HAF peut être nettoyé à l'aspirateur et être réutilisé jusqu'à trois fois. **Ne rincez pas et ne lavez pas le filtre HAF**, cela compromettrait l'efficacité du matériau électrostatique.

Remplacez-le uniquement par un filtre 3M HAF neuf (Pièce Dri-Eaz N° F368). Appelez votre distributeur local pour les pièces et services, ou appelez le Service technique Dri-Eaz au 800-932-3030.

MISE EN GARDE : La poussière peut causer une surchauffe et un arrêt de l'appareil. Ne l'utilisez pas en présence d'une quantité excessive de particules en suspension dans l'air, comme lors de travaux de ponçage ou de peinture au pistolet. Inspectez et nettoyez fréquemment les serpentins et les éléments du filtre à air.

IMPORTANT : Remplacez le filtre HAF chaque fois que : 1) il a été passé à l'aspirateur 3 fois, ou 2) il a été utilisé lors d'un travail de restauration en raison de moisissures, ou s'il a été exposé à d'autres contaminants présentant un danger potentiel.

Tous les mois

Examinez les serpentins. Les serpentins sales peuvent créer une surchauffe de l'appareil. Nettoyez-les s'ils présentent une saleté évidente. Voir Fig. E.

1. Débranchez l'appareil.
2. Retirez le boîtier, localisez les serpentins et laissez-les sécher s'ils sont mouillés.
3. Passez l'aspirateur sur les surfaces des serpentins jusqu'à ce qu'ils soient propres, en veillant à ne pas toucher les ailettes, car cela risquerait de les abîmer.

Inspectez le plateau d'égouttement, et nettoyez les saletés ou débris éventuels.

1. Essuyez-le avec un chiffon.

Examinez le tuyau de vidange.

1. Vérifiez l'absence d'obstruction. Débranchez et retirez tout débris éventuel.
2. Rattachez le tuyau de vidange.

Examinez le panneau d'accès au filtre.

1. Retirez le panneau d'accès au filtre (il n'est pas nécessaire de retirer le boîtier).
2. Nettoyez à l'aspirateur toute saleté visible, ou lavez-le avec de l'eau et un savon doux.
3. Laissez-le sécher avant de le remettre.

Tous les ans

Faites vérifier le système de pompe par le Service technique de Dri-Eaz (800-932-3030) ou par un centre de services qualifié.

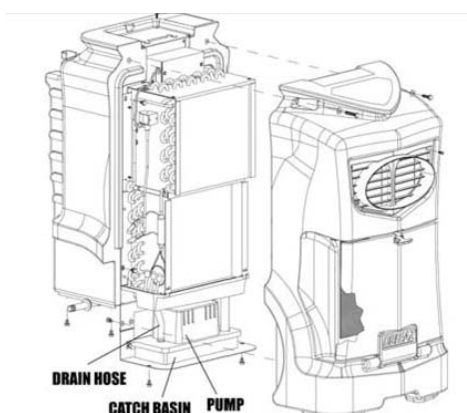
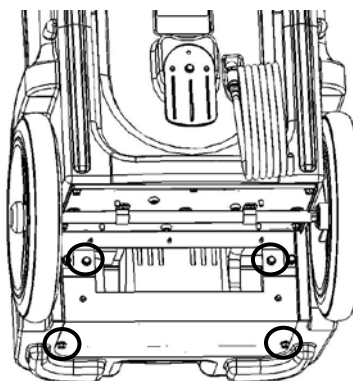
Pour accéder à la pompe de l'Evolution LGR, retirez les quatre boulons situés en bas de l'appareil (Fig. F). Utilisez un tournevis à douille ou une clé 3/8.

TRANSPORT ET ENTREPOSAGE

AVIS : Manipulez l'appareil avec le plus grand soin. Ne le laissez pas tomber, ne le lancez pas, et ne le placez pas dans un endroit d'où il pourrait tomber. L'équipement pourrait subir des dommages s'il est traité sans précaution, ce qui pourrait créer des conditions dangereuses ou annuler la garantie.

IMPORTANT : N'oubliez pas de purger l'eau du réservoir de la pompe avant de déplacer l'appareil. Voir la fonction PURGE au paragraphe « Mode d'emploi du panneau de commande » page 17. Notez que l'appareil doit être branché pour que l'opération de purge se fasse.

1. N'exposez pas le panneau de commande à l'humidité, à la neige ou à la pluie lorsque vous le transportez dans un véhicule non couvert.
2. Entrez-le et transportez-le en toute sécurité afin d'éviter tout impact dommageable sur les pièces internes.

FIG. E : ASSEMBLAGE DU BOÎTIER**FIG. F : PANNEAU D'ACCÈS À LA POMPE**

Retirer les quatre boulons du panneau vertical d'accès à la pompe.

MESSAGES D'ERREURS

Le tableau ci-dessous indique les messages d'erreurs que le système pourrait signaler. Si l'écran affiche un message « ER », commencez par débrancher l'appareil, puis rebranchez-le. Ceci peut réinitialiser les composants électroniques et, dans ce cas, aucune action supplémentaire n'est requise. Si le message d'erreur réapparaît, essayez la solution indiquée sous le titre « Explication ». Si ceci ne résout toujours pas le problème, contactez votre centre de services agréé local ou appelez le Service technique Dri-Eaz au 800-932-3030.

MESSAGE D'ERREUR	EXPLICATION
ER 1, 2, 3, 5, 6	Problème avec le tableau de commande électronique. Contactez le Service technique de Dri-Eaz.
ER 4	Vérifiez la température ou le câble de sonde. Contactez le Service technique de Dri-Eaz.
ER 8	Vérifiez les touches du clavier tactile. Enfoncez, puis relâchez chaque touche plusieurs fois.
ER 9	Vérifiez qu'il n'y a aucune obstruction ni aucun coude dans le tuyau de vidange.

DIAGNOSTIC DE PANNES

PROBLÈME	CAUSE	SOLUTION
L'appareil ne fonctionne pas.	Aucune alimentation pour l'appareil. L'appareil n'est pas en marche.	Branchez l'appareil; vérifiez l'alimentation à la prise et à la base de l'appareil. Mettez l'appareil en marche.
Le compresseur ne se met pas en marche.	L'appareil doit attendre 5 minutes avant de se remettre en marche pour éviter une surcharge au démarrage.	Éteignez l'appareil et attendez 5 minutes avant de le remettre en marche. Abaissez la température de la pièce à 32 °C (90 °F) ou moins.
La roue de la soufflante ne tourne pas.	Soufflante obstruée.	Retirez l'anneau du conduit et la grille. Retirer l'obstruction. Remettez l'anneau du conduit et la grille en place.
L'appareil fonctionne, mais la pièce ne sèche pas.	Durée de séchage insuffisante. Déplacement inadéquat d'air dans la pièce. Infiltration excessive d'air humide.	Laissez plus de temps pour le séchage. Augmentez le déplacement d'air avec des appareils de ventilation. Réduisez l'infiltration.
L'appareil est continuellement en mode de dégivrage.	La température de la pièce est trop basse.	Augmentez la température de la pièce.
La pompe ne fonctionne pas.	Régulateur à flotteur coincé.	Nettoyez la chambre du régulateur à flotteur.
L'appareil recueille une quantité d'eau insuffisante.	L'air de la pièce est sec. La température de la pièce est trop basse. La circulation d'air dans l'appareil est restreinte.	Vérifiez l'humidité avec un hygromètre. Augmentez la température de la pièce. Inspectez le filtre et les serpentins; nettoyez si nécessaire.
<p><i>Si le problème que vous rencontrez ne figure pas sur cette liste, appelez votre distributeur local ou contactez le Service technique de Dri-Eaz (appel sans frais) au 800-932-3030.</i></p>		

FICHE TECHNIQUE

Modèle	Evolution LGR F292-A
Type	LGR (réfrigérants à faible grain)
Frigorigène	R-410A
Poids	92 lb 42 kg
Puissance	5 A, 115 V
AHAM de retrait d'eau (80 °F/60 % RH)	33 litres 70 chopines / par jour
Déplacement de l'air (max)	272 m ³ /h 160 pi ³ /mn
Plage de fonctionnement	1 – 33 °C 33 – 100 °F
Filtre à air	Filtre 3M HAF (pièce n° F372)
Cordon d'alimentation	7,6 m 25 pi
Dimensions (H x P x L)	85 x 52,5 x 52,5 cm 33,5 x 20,7 x 20,7 po
Construction	Boîtier en polyéthylène roto-moulé
Sécurité	Certifié pour UL 474 et CSA 22.2 n° 92
La fiche technique est sous réserve de modifications sans préavis. Certaines valeurs peuvent être approximatives.	

Les données de garantie sont disponibles à l'adresse www.dri-eaz.com.

