

Example of application



OMRON

Security

**Smoke and gas detection equipments
Alarm and safety equipments**

Examples of use : alarm output



Detection sensor



Control panel

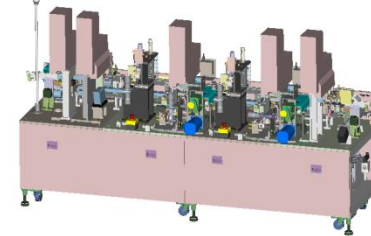


Automatic door sensor

Industry

**Constructing machine/forming machine/
welding machine/mounting machine and
other industrial robots, etc**

Examples of use : circuit change, control change



Constructing machine

amusement

**Various amusement related devices
automatic mah-jongg desk,
cash-coin exchangers, etc**

Examples of use : information output, circuit change



Amusement machine

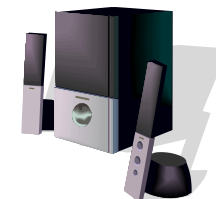
others

**OA, Electrical Equipments
Audio, etc**

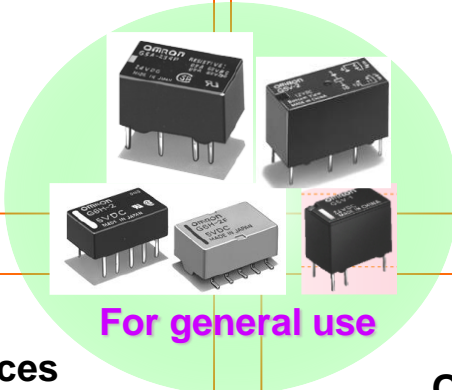
Examples of use : circuit change, speaker output



FAX complex machine



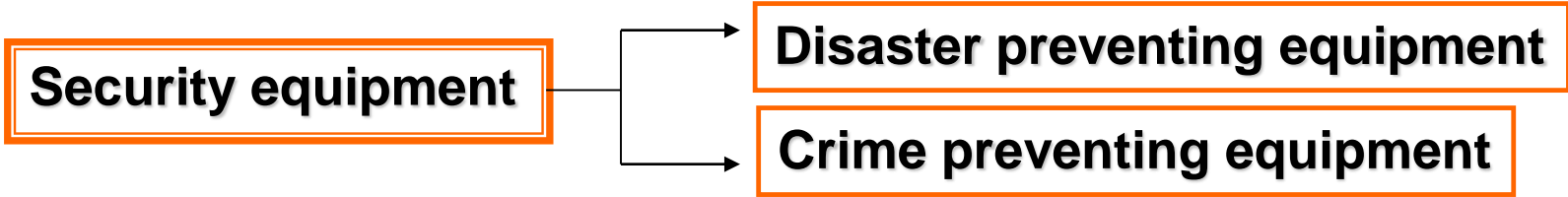
speaker



For general use

Security

Security




Types	Products		
<p>Disaster preventing equipment</p>	<p>Infrared sensor Fence sensor Control panel</p> 	<p>Security camera Switcher</p> 	<p>Entering and leaving check equipment Access control</p> 
<p>Crime preventing equipment</p>	<p>Fire alarm Smoke detector Control panel</p> 	<p>Gas alarm Control panel</p> 	<p>Emergency earthquake quick report Broadcast equipment, transceiver</p> 

Security Applications

Terminal

Control Panel (CP)

Passive infrared (PIR)



Passive infrared (AIR)



Burglary CP



Alarm system

Fire/Heat detector



Smoke detector



Fire/ Smoke CP



Alarm system

Gas sensor



Gas sensor CP



Alarm system

Intercom



Intercom CP



Alarm system

Infrared security sensor / Smoke detector

Application

Infrared sensor (PIR/AIR)
Gas/fire alarm

Control panel



【EMR】 G6S・G6JY, G6K (Latching)

【EMR】 Type G5V-1, G6S, G6JY, G6K
【MOS】 Type G3VM-61VY3

【MOS】 Type G3VM-61VY3



Analog line

Phone

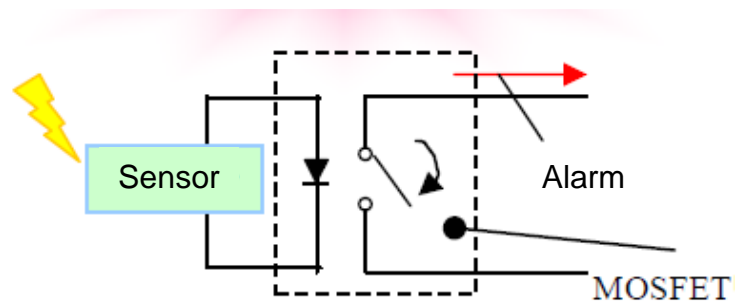


Security company



【Function of relay】

Receive the signal of sensor, alarm output



- ### -Specification request-
- Load voltage : 60~80V (G3VM)
 - Load current : 400mA~1A
 - Low power consumption (IFt) : 1mA

- ### -KFS-
- Long- term connection reliability
 - Silence of MOS (No sound)
 - Low power consumption (Latching)

Telecommunication

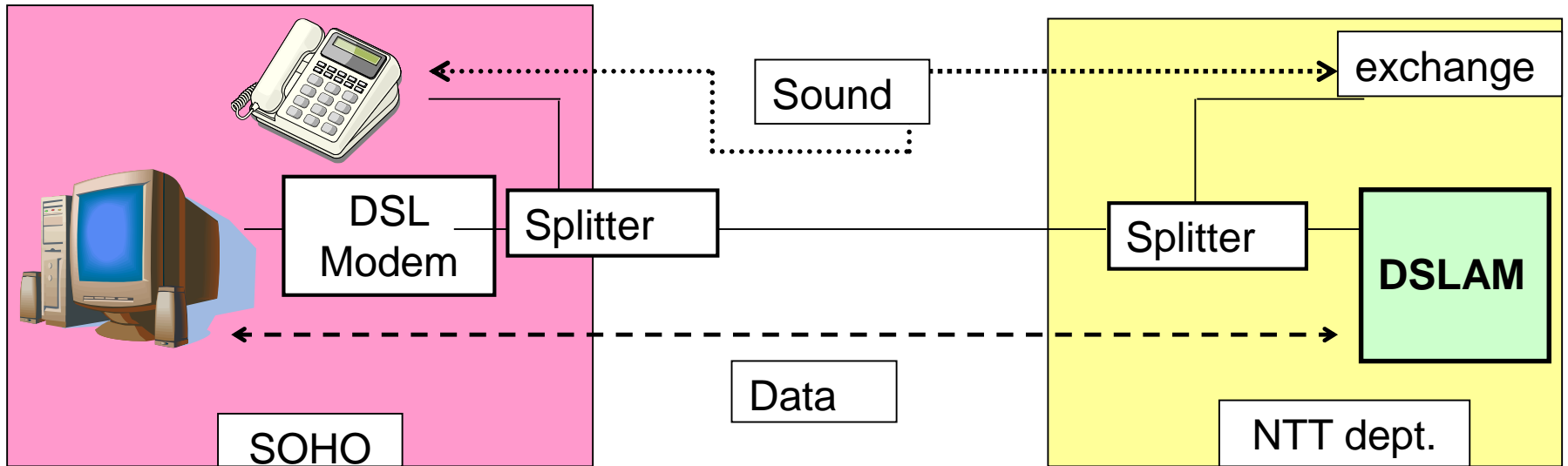
Type G6J-Y Relay - Target Applications

Measuring,
AV, Medical

Datacom,
Information
Terminals



xDSL (Telecom - Data com)



Relay application: ① Switching to spare DSLAM board on failure.
② Switching application of DSLAM circuit and test circuit



Do not use attached Photos



Customer's requirement

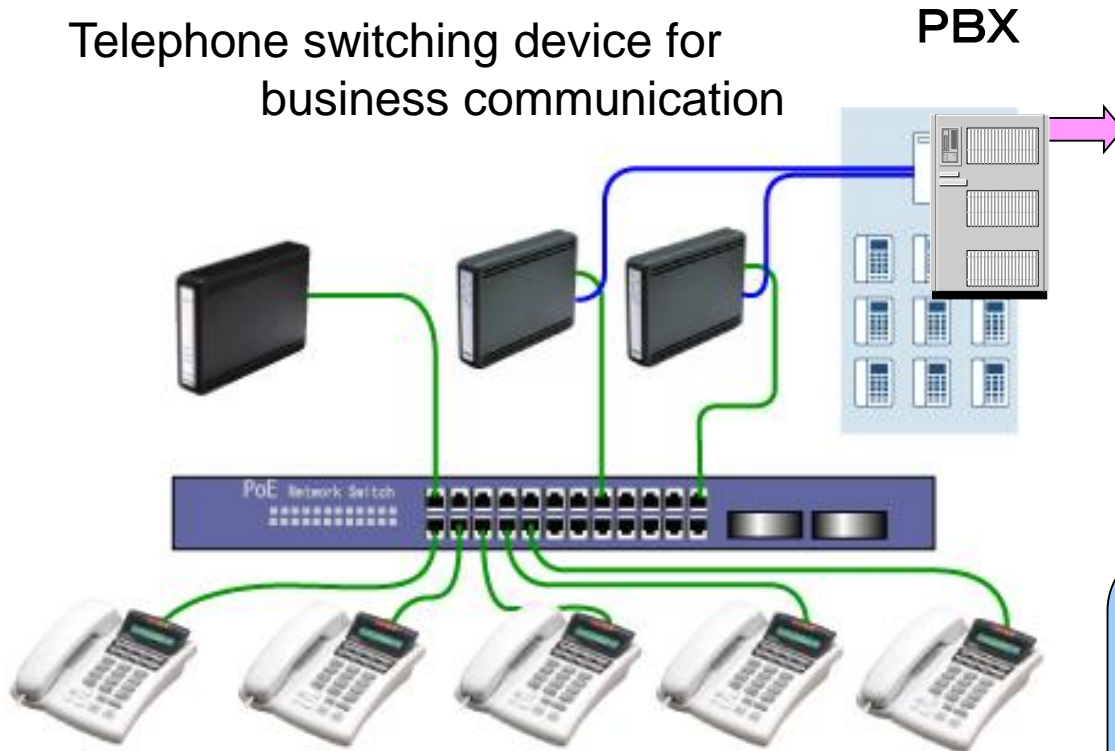
- 2C relay
- Saving space
- Low power consumption

Switching equipment (Telecom·Data com)

PBX

(Private automatic Branch eXchange: private branch exchange or private exchange)

Telephone switching device for
business communication



Relay application: line switching of
answering from outside and transmission
to outside.



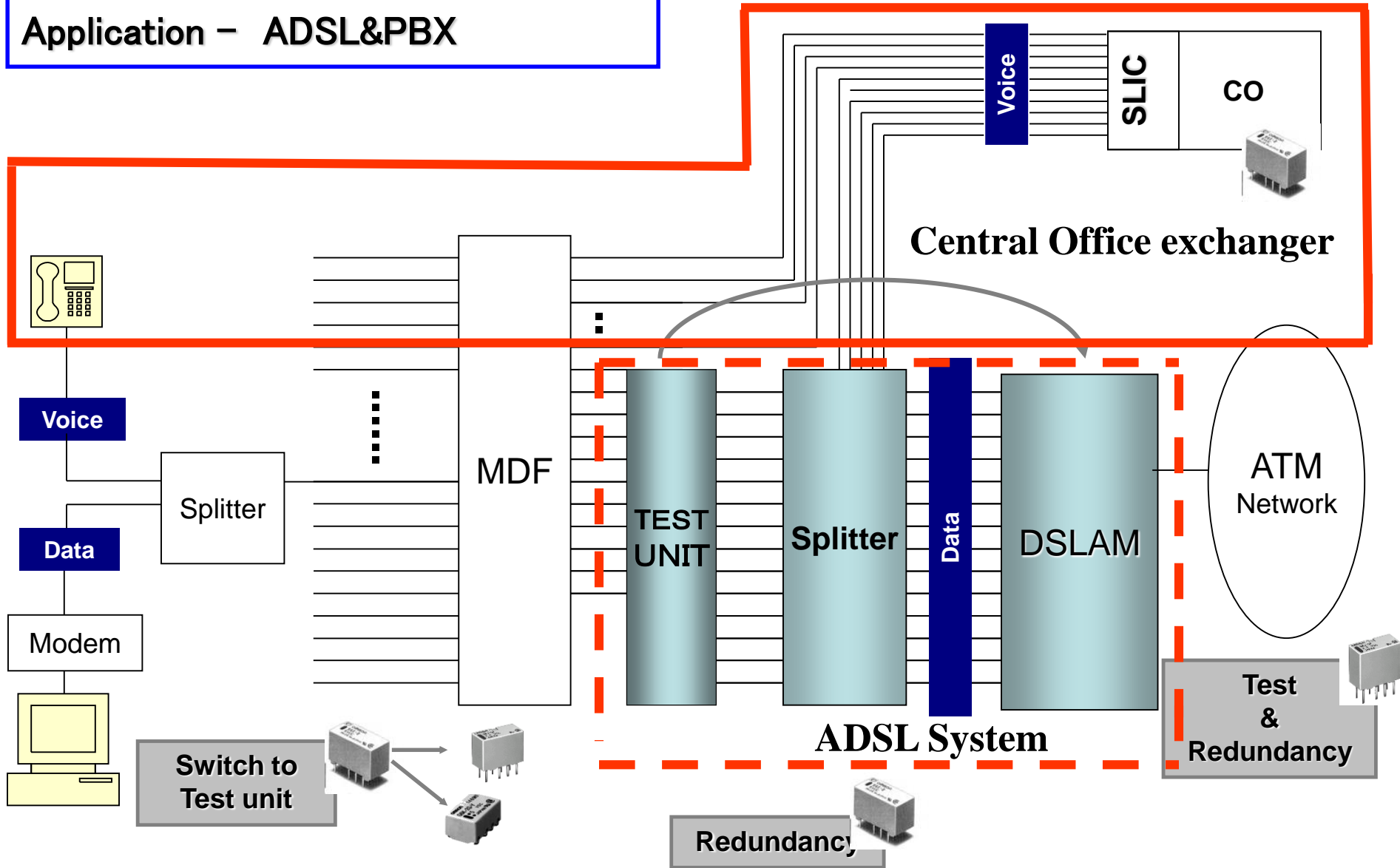
Do not use attached Photos



Customer's requirement

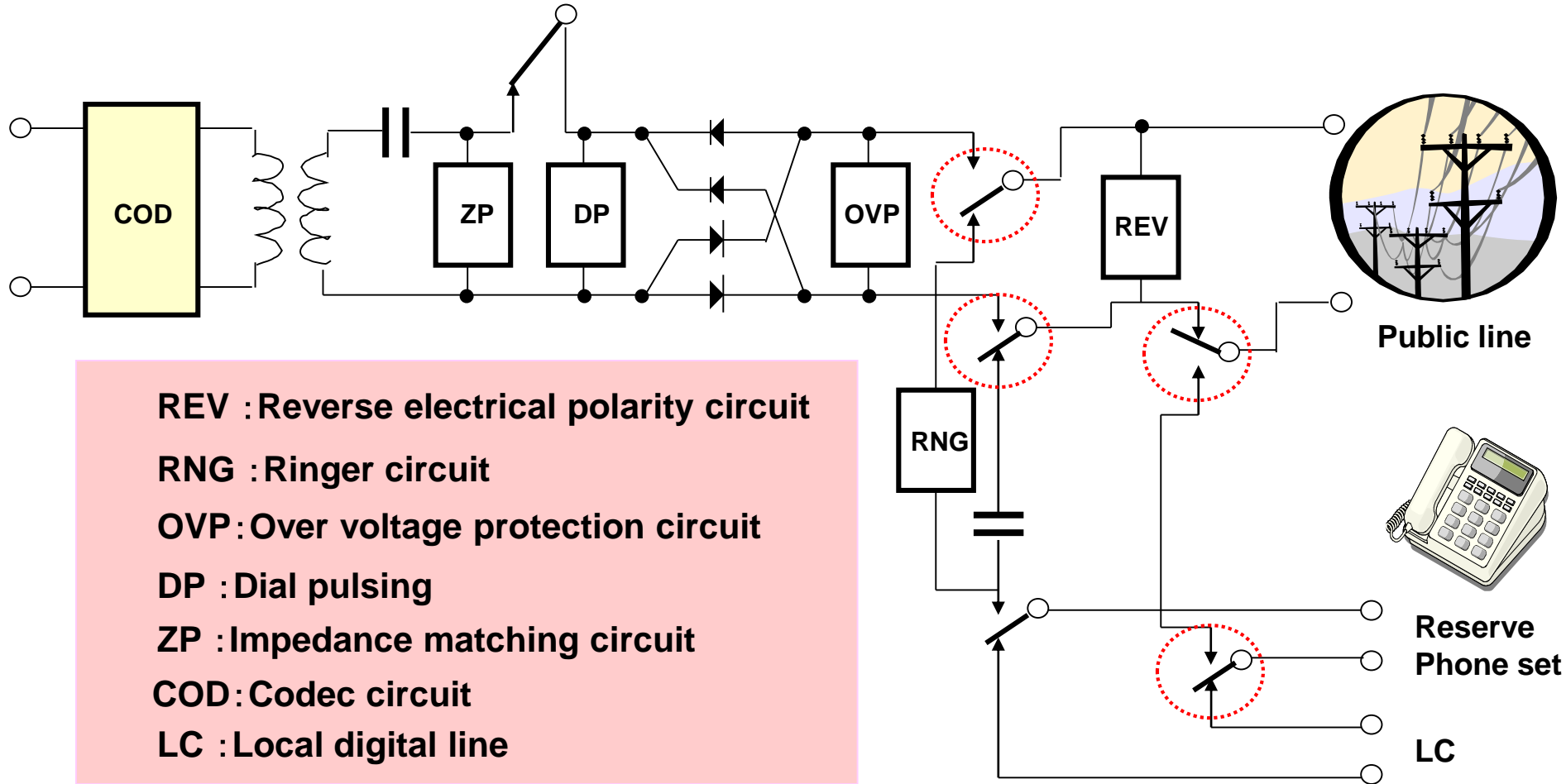
- 2C relay
- Saving space
- Low power consumption

Application – ADSL&PBX



Application – Exchanger (Telecom / Data com)

PBX (Private automatic Branch eXchanger)



Relay application : Switch to reserve and local digital line.

Medical

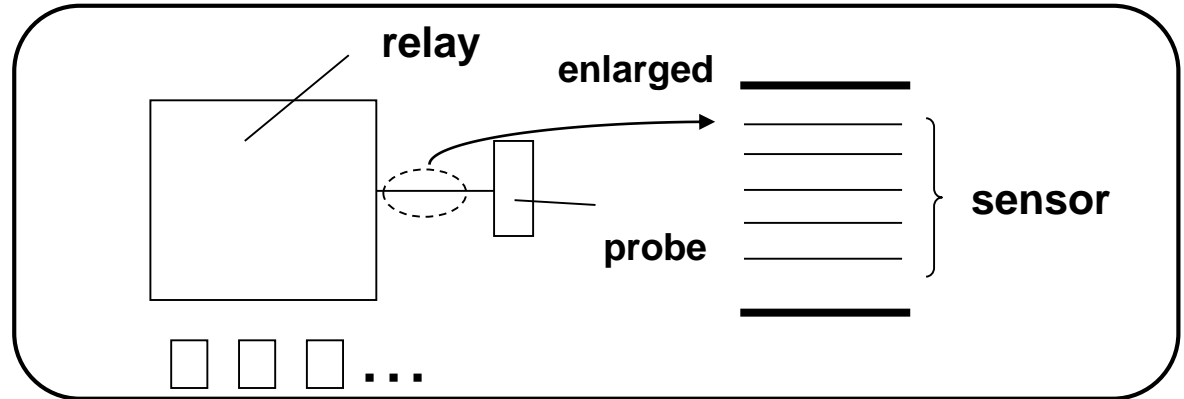
Ultrasonic diagnostic (Medical)

Ultrasonic diagnostic

Ultrasonic level beamed from probe (ultrasonic sending / receiving parts) changes visually and captures on a monitor. Use for medical and livestock fields.

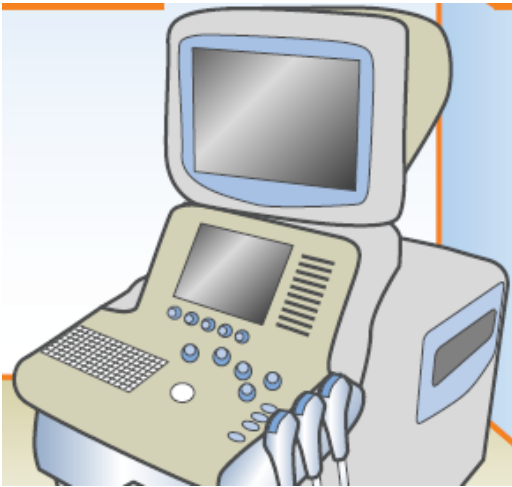
Relay application : Switching probe sensor.

Switching sensor when the depth of diagnosed parts is changed.



Customer's requirement

- 2C relay
- small / conserve area
- low power consumption



Test & Measurement

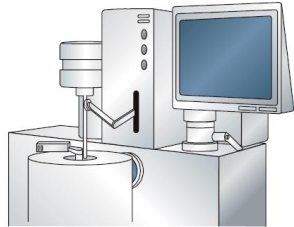
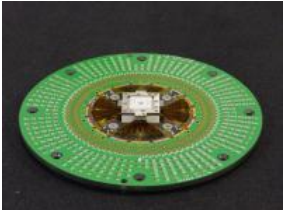
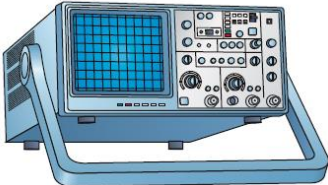


Test/measurement equipments

Tester

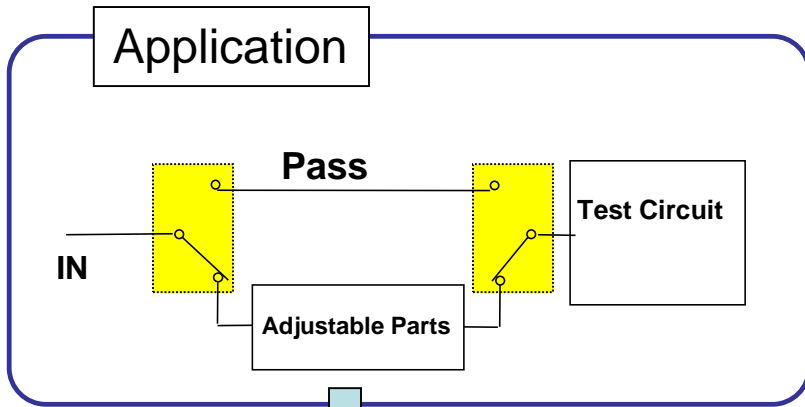
- ▪ ▪ Equipment to measure current, voltage, resistance.

Measurement equipment

- ▪ ▪ Equipment to amplify, operate, display input signal. Also, equipment to do electronic record of measured value.

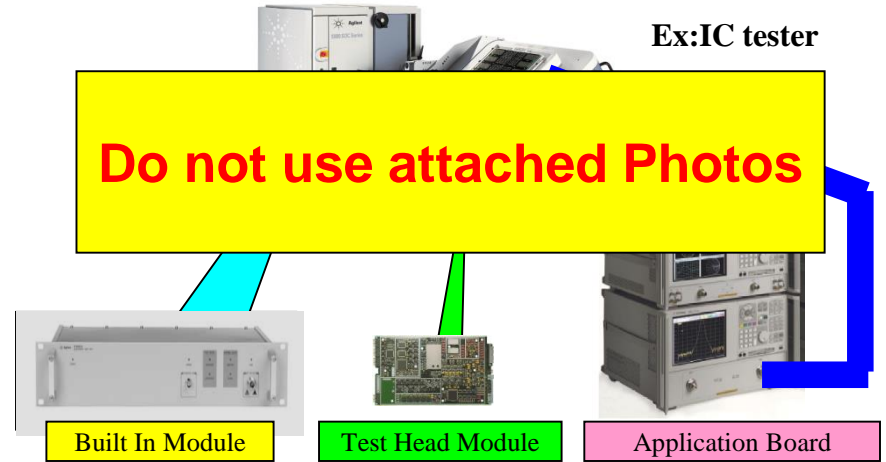
Types	Products		
<p>Semiconductor test equipment (ATE)</p>	<p>SoC/LSI tester Memory tester, etc</p>		<p>Application board Performance board Probe guard etc</p> 
<p>Measurement equipment</p>	<p>Oscilloscope Data logger etc</p> 	<p>Network analyzer Spectrum analyzer etc</p> 	<p>Signal generator etc</p> 

Test & Measurement Equipment



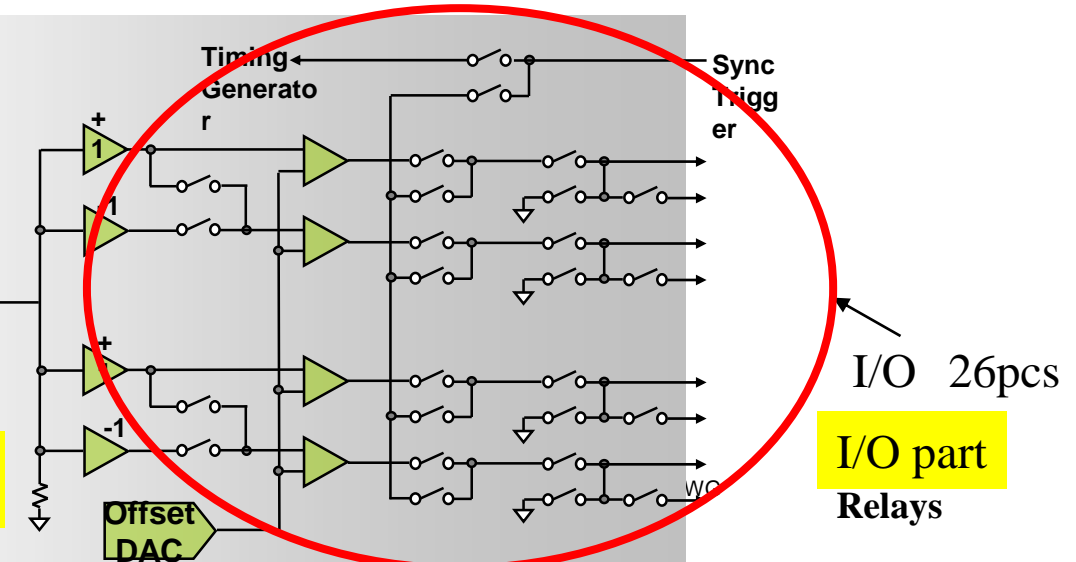
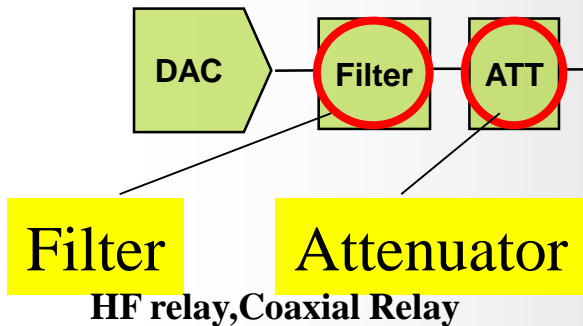
Adjustable parts ?

Attenuator, Amplifier, Filter



If user change the application board, can change the objects of testing. So there are variety application board.

- ① Input/Output Switch
- ② Attenuator Switch
- ③ Filter Switch



Test & Measurement Equipment

Scan Tool/Automotive failure diagnosis equipment

Part: G6JY or G3VM-61VY3

Number of use: more than 30 pcs/unit (depends on internal circuit)

Load current: several mA

Load voltage: 40~60V

■ Key for success

- Size and Power Consumption

■ Other parts in use

D sub-connector for an external interface、USB connector
FPC connector for liquid crystal connection



Do not use attached Photos

