

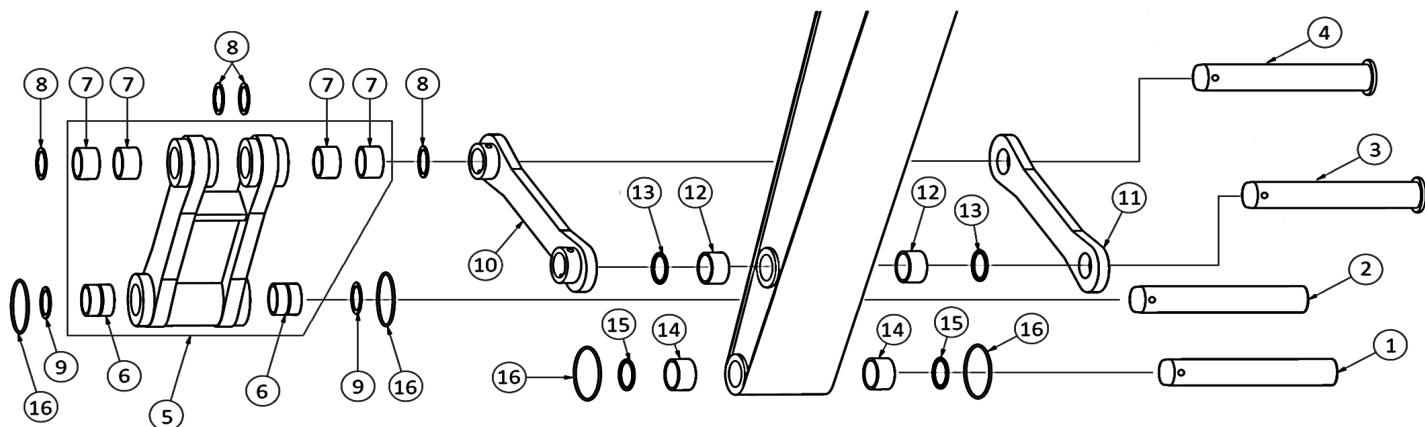


Excavator Bucket Linkage Parts, Pins & Bushings

SECTION D

EXCAVATOR BUCKET LINKAGE PARTS, PINS, & BUSHINGS

	Page
CASE	D26-D27
CAT	D15-D20
HITACHI	D8-D14
JOHN DEERE	D1-D8
KOBELCO	D24-D26
KOMATSU	D21-D23



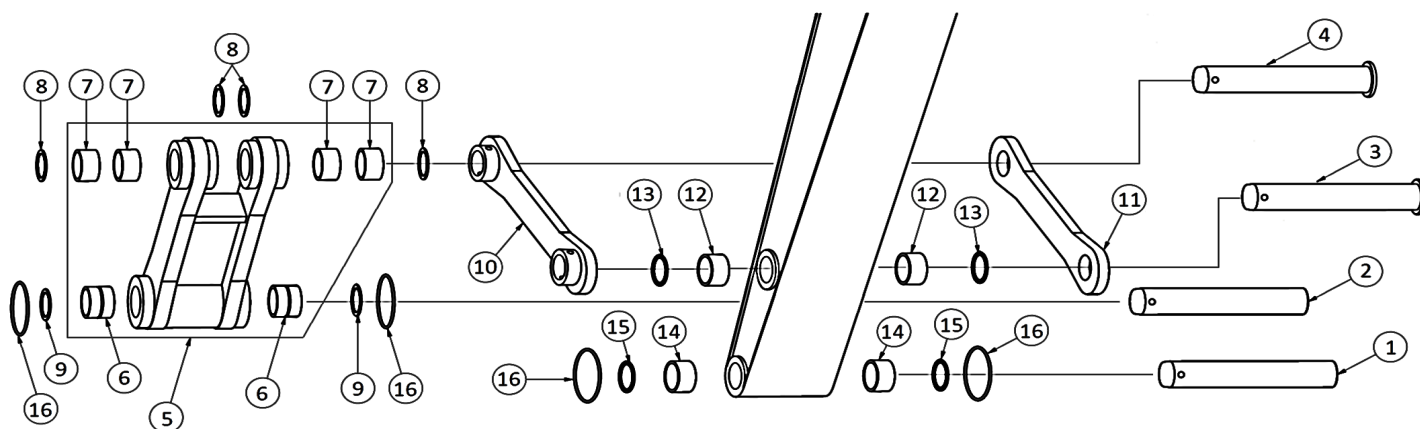
Ref.	Part No.	Description	Notes	Qty.	Wt.
JOHN DEERE 70D, 190E					
1	AT200381	Pin	Bucket to dipper arm	1	8.6
2	TH111893	Pin	Bucket to H-link	1	8.6
3	TH110418	Pin	Link to dipper	1	7.1
4	TH110419	Pin	Link to cylinder	1	11
5	AT200649	H-Link		1	65
6	AT200457	Bushing		2	1
7	AT200451	Bushing		2	2
9	TH106007	Seal		2	0.1
10	TH110924	Link L/H	(with bolt holes)	1	19
11	TH110415	Link R/H		1	15
12	AT200457	Bushing		2	1
13	TH106007	Seal		2	0.1
14	AT200457	Bushing		2	1
15	TH106007	Seal		2	0.1
16	TH112227	O-Ring		4	0.05

Ref.	Part No.	Description	Notes	Qty.	Wt.
JOHN DEERE 75D, 80C, 85D, 85G					
1	3090726	Pin	Bucket to dipper arm	1	8.6
2	3090725	Pin	Bucket to H-link	1	8.6
3	3076948	Pin	Link to dipper	1	7.1
4	3076951	Pin	Link to cylinder	1	11
5	8082095	H Link		1	65
6	4445475	Bushing		2	1
7	4445476	Bushing		2	2
9	4246939	Seal		2	0.1
10	8082538	Link L/H	(with bolt holes)	1	19
11	3076932	Link R/H		1	15
12	4356103	Bushing		2	1
13	4246939	Seal		2	0.1
14	4445475	Bushing		2	1
15	4246939	Seal		2	0.1
16	4406388	O-Ring		4	0.05

H-LINKS, LINKS, PINS & BUSHINGS

JOHN DEERE

Ref.	Part No.	Description	Notes	Qty.	Wt.
JOHN DEERE 490D, 490E, 110, 120					
1	TH108941	Pin	Bucket to dipper arm	1	24
2	TH108942	Pin	Bucket to H-link	1	24
3	TH108940	Pin	Link to dipper	1	21
4	TH108943	Pin	Link to cylinder	1	21
5	AT154498	H-Link	Will not fit 490D	1	141
6	TH108930	Bushing		2	2
7	AT122209	Bushing		2	2
8/9	TH100374	Seal		6	0.05
10	AT154543	Link L/H	(with bolt holes)	1	32
11	AT154248	Link R/H		1	24
12	AT122209	Bushing		2	2
13	TH100374	Seal		2	0.05
14	AT122209	Bushing		2	2
15	TH100374	Seal		2	0.05
16	AT154340	O-Ring		4	0.1
JOHN DEERE 120C, 120D, 130G, 135C RTS, 135D, 135G					
1	3089243	Pin	Bucket to dipper arm	1	24
2	3089242	Pin	Bucket to H-link	1	24
3	3089106	Pin	Link to dipper	1	21
4	3089103	Pin	Link to cylinder	1	21
5	8078142	H Link		1	141
6	4443879	Bushing		2	2
7	4444914	Bushing		2	2
8	TH100374	Seal		4	0.05
9	TH100374	Seal		2	0.05
10	9753307	Link L/H	(with bolt holes)	1	32
11	4425937	Link R/H		1	24
12	4344898	Bushing		2	2
13	TH100374	Seal		2	0.05
14	4424953	Bushing		2	2
15	TH100374	Seal		2	0.05
16	4276696	O-Ring		4	0.1
JOHN DEERE 690, 690A, 690B, 690C					
1	U45205	Pin	Bucket to dipper arm	1	30
2	U45205	Pin	Bucket to H-link	1	30
3	U46074	Pin	Link to dipper	1	28
4	T35603	Pin	Link to cylinder	1	29
5	AU43577	H-Link		1	195
6	U43784	Bushing		2	3
7	U45284	Bushing		2	3
10	AU43241	Link L/H		1	58
11	AU43240	Link R/H		1	58
	U45284	Bushing		2	3
	U43784	Bushing		2	3
14	U43784	Bushing		2	3



Ref.	Part No.	Description	Notes	Qty.	Wt.
JOHN DEERE 590D, 595D, 160LC, 160CLC					
1	T144756	Pin	Bucket to dipper arm	1	42
2	T144757	Pin	Bucket to H-link	1	42
3	AT126130	Pin	Link to dipper 590D, 595D	1	24
3	T144755	Pin	Link to dipper 160LC, 160CLC	1	28
4	T144755	Pin	Link to cylinder	1	28
5	9726946-94	H-Link	1 pc.	1	236
6	T139496	Bushing		2	2.2
7	AT126136	Bushing		4	1.4
8	TH104472	Seal		4	0.05
9	TH102446	Seal		2	0.1
10	AT127026	Link L/H	590D, 595D (w/ bolt holes)	1	46
11	AT126133	Link R/H	590D, 595D	1	38
12	AT122209	Bushing	590D, 595D	2	2
13	TH100374	Seal	590D, 595D	2	0.05
10	AP34756	Link L/H	160LC, 160CLC (with bolt holes)	1	46
11	P64846	Link R/H	160LC, 160CLC	1	37
12	T104249	Bushing	160LC, 160CLC	2	1.6
13	TH104472	Seal	160LC, 160CLC	2	0.05
14	T139507	Bushing		2	2
15	TH102446	Seal		2	0.1
16	TH102444	O-Ring		4	0.05

JOHN DEERE 160DLC, 160GLC					
1	3088577	Pin	Bucket to dipper arm	1	42
2	3088580	Pin	Bucket to H-link	1	42
3	3088579	Pin	Link to dipper	1	28
4	3091562	Pin	Link to cylinder	1	28
5	8083071-72	H Link	1 pc.	1	236
6	4409178	Bushing		2	2.2
7	4352400	Bushing		4	1.4
8	TH104472	Seal		4	0.05
9	TH102446	Seal		2	0.1
10	8082153	Link L/H	(with bolt holes)	1	46

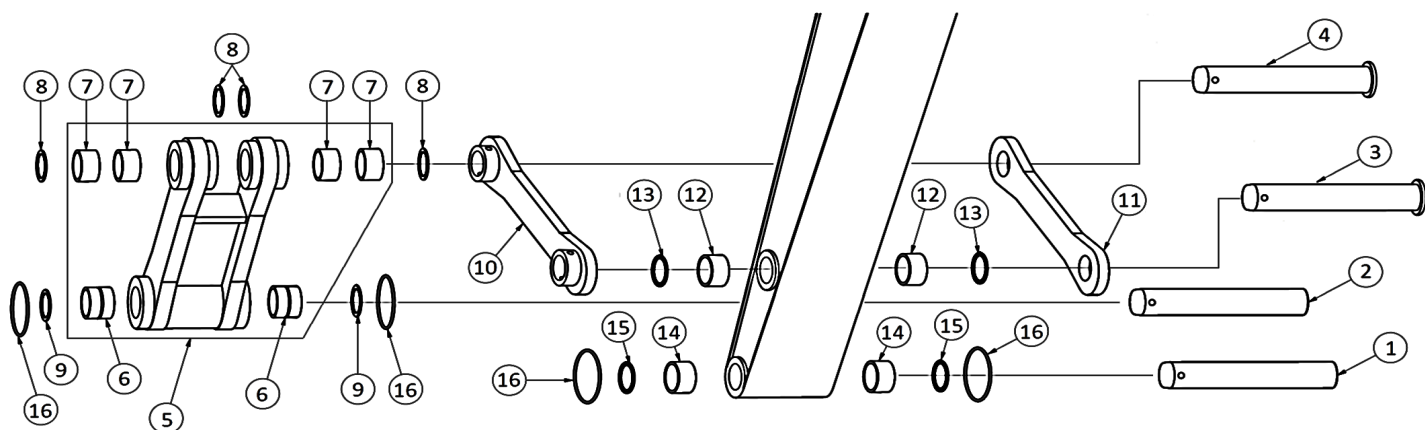
cont'd on next page

H-LINKS, LINKS, PINS & BUSHINGS**JOHN DEERE**

Ref.	Part No.	Description	Notes	Qty.	Wt.
JOHN DEERE 160DLC, 160GLC					
11	3076177	Link R/H		1	38
12	4409122	Bushing		2	1.6
13	TH104472	Seal		2	0.05
14	4409178	Bushing		2	2.2
15	TH102446	Seal		2	0.1
16	4089028	O-Ring		4	0.05

JOHN DEERE 690DLC, 690ELC, 200LC					
1	T144756	Pin	Bucket to dipper arm	1	42
2	T144757	Pin	Bucket to H-link	1	42
3	T144755	Pin	Link to dipper	1	28
4	T144754	Pin	Link to cylinder	1	39
5	AT147405	H-Link		1	240
6	T139496	Bushing		2	2.2
7	T139495	Bushing		2	3.2
8	TH102446	Seal		4	0.1
9	TH102446	Seal		2	0.1
10	AT147404	Link L/H	(with bolt holes)	1	52
11	T159203	Link R/H		1	45
12	T104249	Bushing		2	1.6
13	TH104472	Seal		2	0.05
14	T139507	Bushing		2	2
15	TH102446	Seal		2	0.1
16	4089028	O-Ring		4	0.05

JOHN DEERE 180GLC, 200CLC, 200DLC, 225CLC, 225DLC					
1	3088577	Pin	Bucket to dipper arm	1	42
2	3088580	Pin	Bucket to H-link	1	42
3	3088579	Pin	Link to dipper	1	28
4	3088581	Pin	Link to cylinder	1	39
5	8076541	H-Link		1	240
6	4443882	Bushing		2	2.2
7	4352398	Bushing		4	3.2
8	TH102446	Seal		4	0.1
9	TH102446	Seal		2	0.1
10	8074315	Link L/H	(with bolt holes)	1	52
11	3084173	Link R/H		1	45
12	4409122	Bushing		2	1.6
13	TH104472	Seal		2	0.05
14	4409178	Bushing		2	2.2
15	TH102446	Seal		2	0.1
16	4089028	O-Ring		4	0.05

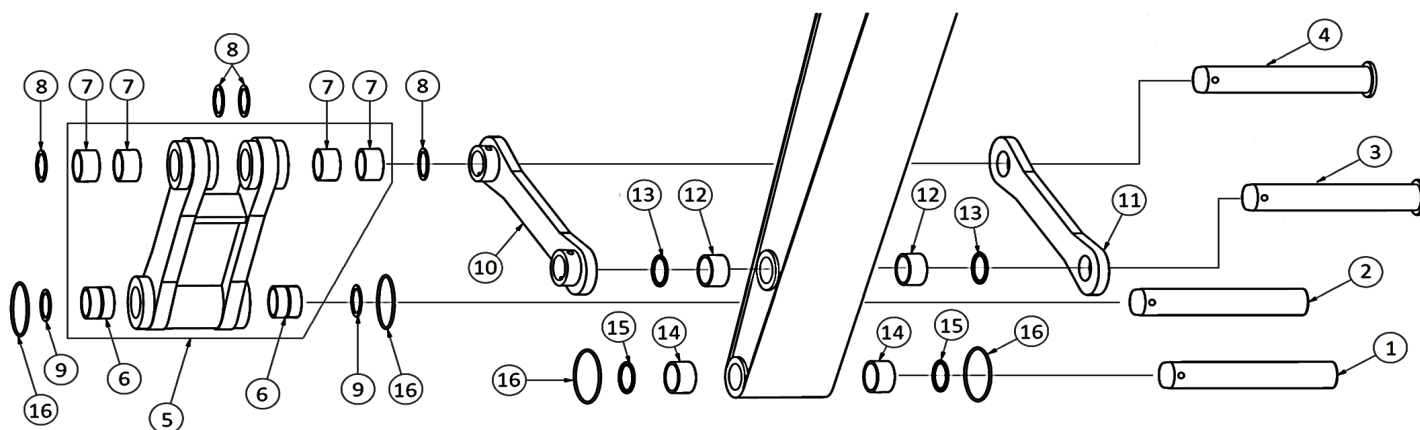


Ref.	Part No.	Description	Notes	Qty.	Wt.
JOHN DEERE 790DLC, 790ELC, 230LC					
1	TH110235	Pin	Bucket to dipper arm	1	65
2	TH110236	Pin	Bucket to H-link	1	65
3	TH109810	Pin	Link to dipper	1	47
4	T138885	Pin	Link to cylinder	1	59
5	AT217891	H Link		1	350
6	4355876	Bushing		2	5
7	4358100	Bushing		4	2.1
8	TH102445	Seal		4	0.05
9	TH102445	Seal		2	0.05
10	8050930	Link L/H	(with bolt holes)	1	65
11	3056355	Link R/H		1	55
12	4332285	Bushing		2	3
13	TH102446	Seal		2	0.1
14	4355876	Bushing		2	5
15	TH102445	Seal		2	0.05
16	4089028	O-Ring		4	0.05
JOHN DEERE 230CLC, 240DLC, 250GLC					
1	3088753	Pin	Bucket to dipper arm	1	65
2	3088754	Pin	Bucket to H-link	1	65
3	3088752	Pin	Link to dipper	1	47
4	T138885	Pin	Link to cylinder	1	59
5	8081885	H-Link		1	350
6	4443880	Bushing		2	5
7	4358100	Bushing		4	2.1
8	TH102445	Seal		4	0.05
9	TH102445	Seal		2	0.05
10	8082552	Link L/H	(with bolt holes)	1	65
11	3056355	Link R/H		1	55
12	4434036	Bushing		2	3
13	TH102446	Seal		2	0.1
14	4443880	Bushing		2	5
15	TH102445	Seal		2	0.05
16	4089028	O-Ring		4	0.05

H-LINKS, LINKS, PINS & BUSHINGS

JOHN DEERE

Ref.	Part No.	Description	Notes	Qty.	Wt.
JOHN DEERE 792DLC, 270LC					
1	AT217953	Pin	Bucket to dipper arm	1	65
2	AT205824	Pin	Bucket to H-link	1	65
3	AT205819	Pin	Link to dipper	1	48
4	AT205820	Pin	Link to cylinder	1	61
5	AT205901-02	H-Link	1 pc.	1	352
6	TH109807	Bushing		2	5
7	AT205821	Bushing		4	2.1
8/9	TH102445	Seal		6	0.05
10	AT218024	Link L/H	(with bolt holes)	1	65
11	AT217947	Link R/H		1	55
12	T139496	Bushing		2	2.2
13	TH102446	Seal		2	0.1
14	TH109802	Bushing		2	3
15	TH102445	Seal		2	0.05
16	4089028	O-Ring		4	0.05
JOHN DEERE 270CLC, 270DLC, 290GLC					
1	3090166	Pin	Bucket to dipper arm	1	65
2	3090167	Pin	Bucket to H-link	1	65
3	3090168	Pin	Link to dipper	1	48
4	3120934	Pin	Link to cylinder	1	61
5	8084924-25	H-Link		1	352
6	4355875	Bushing		4	5
7	4397791	Bushing		4	2.1
8/9	TH102445	Seal		6	0.05
10	8080569	Link L/H	(with bolt holes)	1	65
11	3075524	Link R/H		1	55
12	4434036	Bushing		2	3
13	TH102446	Seal		2	0.1
14	4443880	Bushing		2	5
15	TH102445	Seal		2	0.05
16	4089028	O-Ring		4	0.05
JOHN DEERE 892DLC, 892ELC, 330LC, 370					
1	AT164648	Pin	Bucket to dipper arm	1	85
2	TH112086	Pin	Bucket to H-link	1	85
3	TH111181	Pin	Link to dipper	1	64
4	AT192341	Pin	Link to cylinder	1	79
5	AT250209	H-Link		1	390
6	4381856	Bushing		2	5
7	4381857	Bushing		4	5
8/9	TH102411	Seal		6	0.1
10	8071699	Link L/H	(with bolt holes)	1	78
11	3055521	Link R/H		1	68
12	4358100	Bushing		2	2.1
13	TH102445	Seal		2	0.1
14	4381856	Bushing		2	5
15	TH102411	Seal		2	0.1
16	TH103229	O-Ring		4	0.1



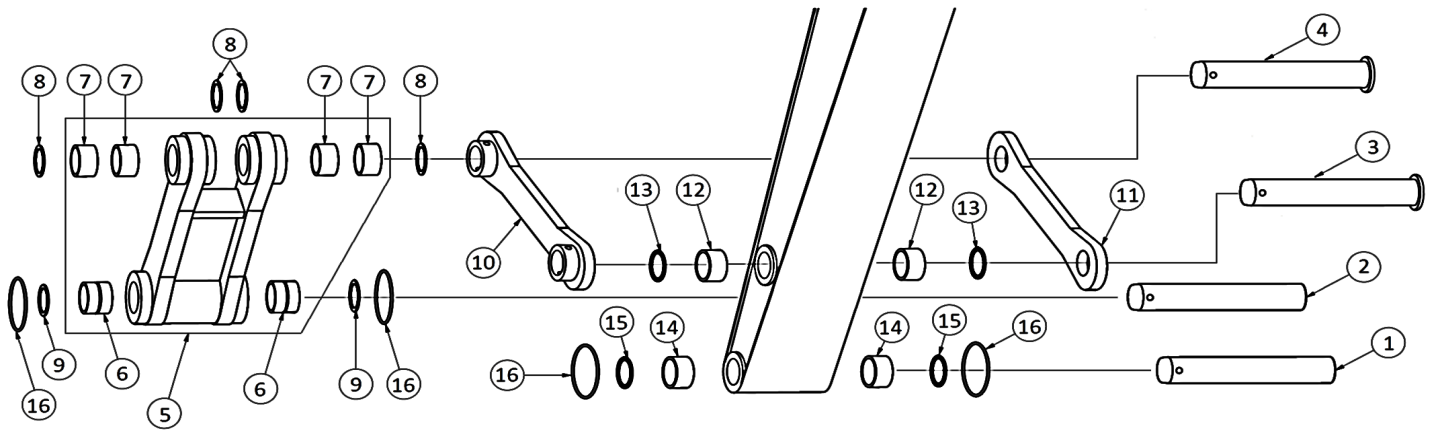
Ref.	Part No.	Description	Notes	Qty.	Wt.
JOHN DEERE 330CLC, 350DLC, 350GLC, 370C					
1	3090417	Pin	Bucket to dipper arm	1	85
2	3090418	Pin	Bucket to H-link	1	85
3	3089968	Pin	Link to dipper	1	64
4	3092037	Pin	Link to cylinder	1	79
5	8083063	H-Link		1	390
6	4443885	Bushing		2	4
7	4381857	Bushing		4	2.4
8	TH102411	Seal		4	0.1
9	TH102411	Seal		2	0.1
10	8071699	Link L/H	(with bolt holes)	1	78
11	3055521	Link R/H		1	68
12	4438771	Bushing		2	2.1
13	TH102445	Seal		2	0.05
14	4443885	Bushing		2	4
15	TH102411	Seal		2	0.1
16	4100180	O-Ring		4	0.1

JOHN DEERE 992ELC, 400LC, 450LC					
1	AT217077	Pin	Bucket to dipper arm	1	115
2	AT201693	Pin	Bucket to H-link	1	115
3	3055219	Pin	Link to dipper	1	84
4	AT192342	Pin	Link to cylinder	1	102
5	9114176	H-Link		1	463
6	AT201695	Bushing		2	7.5
7	AT201695	Bushing		2	7.5
8	AT131682	Seal		4	0.1
9	AT131682	Seal		2	0.1
10	8050178	Link L/H	(with bolt holes)	1	130
11	8050176	Link R/H		1	106
12	TH103214	Bushing		2	2.4
13	TH102411	Seal		2	0.1
15	4251212	Seal		2	0.1
16	4288572	O-Ring		4	0.1

H-LINKS, LINKS, PINS & BUSHINGS

JOHN DEERE & HITACHI

Ref.	Part No.	Description	Notes	Qty.	Wt.
JOHN DEERE 450CLC, 450DLC, 470GLC					
1	3104742	Pin	Bucket to dipper arm	1	115
2	3093215	Pin	Bucket to H-link	1	115
3	3055219	Pin	Link to dipper	1	84
4	DH300061	Pin	Link to cylinder	1	102
5	9206398	H-Link		1	463
6	AT201695	Bushing		2	7.5
7	AT201695	Bushing		2	7.5
8/9	4251212	Seal		6	0.1
10	8050178	Link L/H	(with bolt holes)	1	130
11	8050176	Link R/H		1	106
12	TH103214	Bushing		2	2.4
13	TH102411	Seal		2	0.1
15	4251212	Seal		2	0.1
16	4487682	O-Ring		4	0.1
HITACHI EX60-1, EX60-2, EX60-3, EX60-5					
1	3041074	Pin	Bucket to dipper arm	1	8.6
2	3046682	Pin	Bucket to H-link	1	8.6
3	3037349	Pin	Link to dipper	1	7.1
4	3037350	Pin	Link to cylinder	1	11.2
5	8050336	H-Link		1	65
6	4273542	Bushing		2	2
7	4272706	Bushing		2	1
9	4094088	Seal		2	0.1
10	8037570	Link L/H	(with bolt holes)	1	19
11	3037342	Link R/H		1	15
12	4273542	Bushing		2	1
13	4094088	Seal		2	0.1
14	4273542	Bushing		2	1
15	4094088	Seal		2	0.1
16	4094085	O-Ring		4	0.5
HITACHI ZX60, ZX75, ZX80, ZX85					
1	3090726	Pin	Bucket to dipper arm	1	8.6
2	3090725	Pin	Bucket to H-link	1	8.6
3	3076948	Pin	Link to dipper	1	7.1
4	3076951	Pin	Link to cylinder	1	11
5	8082095	H Link		1	65
6	4445475	Bushing		2	1
7	4445476	Bushing		2	2
9	4246939	Seal		2	0.1
10	8082538	Link L/H	(with bolt holes)	1	19
11	3076932	Link R/H		1	15
12	4356103	Bushing		2	1
13	4246939	Seal		2	0.1
14	4445475	Bushing		2	1
15	4246939	Seal		2	0.1
16	4406388	O-Ring		4	0.05

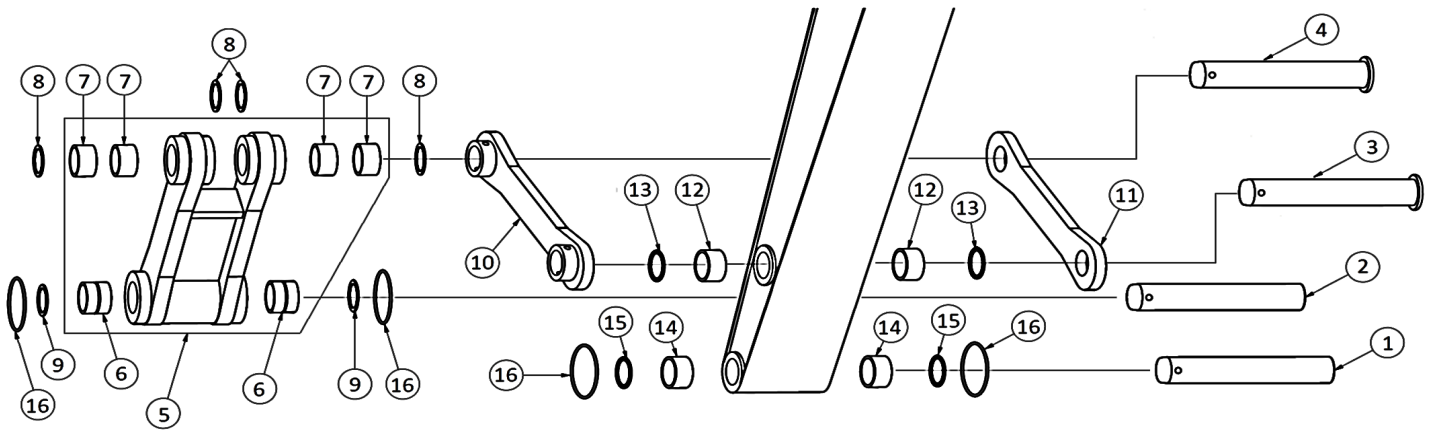


Ref.	Part No.	Description	Notes	Qty.	Wt.
HITACHI EX100-1, EX100-2, EX100-3, EX100-5, EX120-1, EX120-2, EX120-3, EX120-5					
1	3037080	Pin	Bucket to dipper arm	1	24
2	3037081	Pin	Bucket to H-link	1	24
3	3037079	Pin	Link to dipper	1	21
4	3037082	Pin	Link to cylinder	1	20
5	8050179	H-Link		1	141
6	4196558	Bushing		2	2
7	4188796	Bushing		2	2
8	4065687	Seal		4	0.1
9	4065687	Seal		2	0.1
10	9735190	Link L/H	(with bolt holes)	1	32
11	4257933	Link R/H		1	24
12	4188796	Bushing		2	1
13	4065687	Seal		2	0.1
14	4188796	Bushing		2	1
15	4065687	Seal		2	0.1
16	4276696	O-Ring		4	0.1
HITACHI ZX120, ZX135					
1	3089243	Pin	Bucket to dipper arm	1	24
2	3089242	Pin	Bucket to H-link	1	24
3	3089106	Pin	Link to dipper	1	21
4	3089103	Pin	Link to cylinder	1	21
5	8078142	H Link		1	141
6	4443879	Bushing		2	2
7	4444914	Bushing		2	2
8	4065687	Seal		4	0.05
9	4065687	Seal		2	0.05
10	9753307	Link L/H	(with bolt holes)	1	32
11	4425937	Link R/H		1	24
12	4344898	Bushing		2	2
13	4065687	Seal		2	0.05
14	4424953	Bushing		2	2
15	4065687	Seal		2	0.05
16	4276696	O-Ring		4	0.1

H-LINKS, LINKS, PINS & BUSHINGS

HITACHI

Ref.	Part No.	Description	Notes	Qty.	Wt.
HITACHI EX150, EX160					
1	3041200	Pin	Bucket to dipper arm	1	42
2	3041201	Pin	Bucket to H-link	1	42
3	3037281	Pin	Link to Dipper EX150	1	24
3	3036971	Pin	Link to Dipper EX150LC-5, EX160, EX160LC	1	28
4	3037280	Pin	Link to Cylinder	1	28
5	8083071-72	H-Link	1 pc.	1	236
6	T139496	Bushing		2	3
7	4352400	Bushing	EX150LC-5, EX160	4	2.5
8	4084578	Seal		2	0.1
9	4067902	Seal		2	0.1
10	8037465	Link L/H	Dipper to cylinder, EX150 (with bolt holes)	1	46
11	3037284	Link R/H	Dipper to cylinder, EX150	1	38
12	4197536	Bushing	Dipper at Link EX150	2	2
13	4065687	Seal	Dipper at Link EX150	2	0.1
10	AP34756	Link L/H	Dipper to cyl, EX150LC-5, EX160, EX160LC (w/ bolt holes)	1	46
11	P64846	Link R/H	Dipper to cylinder, EX150LC-5, EX160, EX160LC	1	37
12	4196106	Bushing	Dipper at Link EX150LC-5, EX160, EX160LC	2	2
13	4084578	Seal	Dipper at Link EX150LC-5, EX160, EX160LC	2	0.5
14	4196105	Bushing	Dipper at bucket	2	2
15	4067902	Seal	Dipper at bucket	2	0.1
16	4089028	O Ring		4	0.1
HITACHI ZX160					
1	3088577	Pin	Bucket to dipper arm	1	42
2	3088580	Pin	Bucket to H-link	1	42
3	3088579	Pin	Link to dipper	1	28
4	3091562	Pin	Link to cylinder	1	28
5	8083071-72	H Link	1 pc.	1	236
6	4409178	Bushing		2	2.2
7	4352400	Bushing		4	1.4
8	4084578	Seal		4	0.05
9	4067902	Seal		2	0.1
10	8082153	Link L/H	(with bolt holes)	1	46
11	3076177	Link R/H		1	38
12	4409122	Bushing		2	1.6
13	4084578	Seal		2	0.05
14	4409178	Bushing		2	2.2
15	4067902	Seal		2	0.1
16	4089028	O-Ring		4	0.05

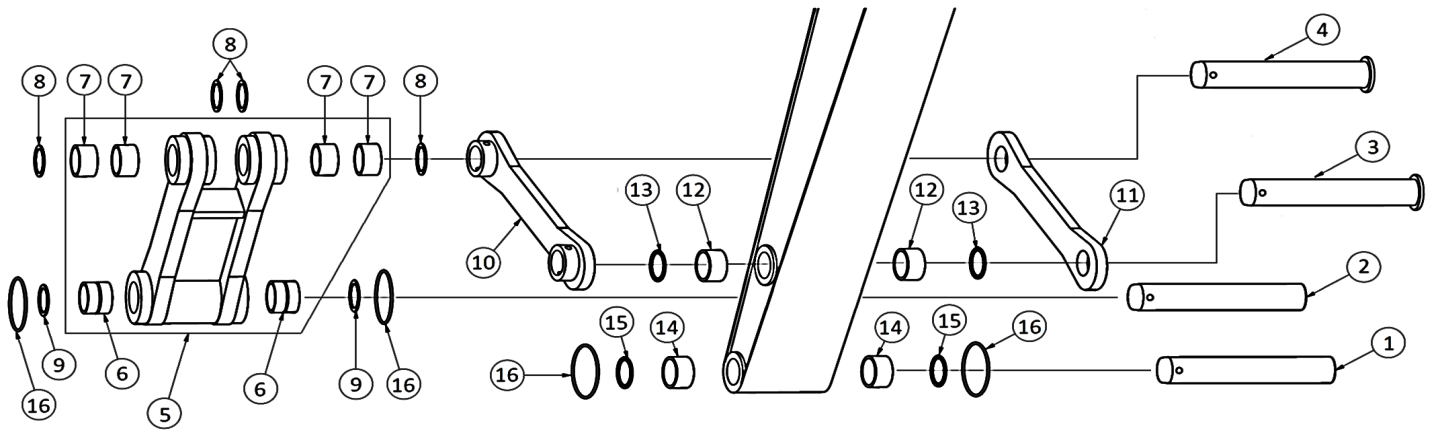


Ref.	Part No.	Description	Notes	Qty.	Wt.
HITACHI EX200-1, EX200-2, EX200-3, EX200-5					
1	3041200	Pin	Bucket to dipper arm	1	42
2	3041201	Pin	Bucket to H-link	1	42
3	3036971	Pin	Link to dipper	1	28
4	3036973	Pin	Link to cylinder	1	39
5	8049857	H-Link		1	240
6	4249848	Bushing		2	3
7	3048327	Bushing		4	3.2
8	4067902	Seal		4	0.1
9	4067902	Seal		2	0.1
10	8061523	Link L/H	(with bolt holes)	1	52
11	8061525	Link R/H		1	45
12	4196106	Bushing		2	2
13	4084578	Seal		2	0.5
14	4196105	Bushing		2	2
15	4067902	Seal		2	0.1
16	4089028	O Ring		4	0.1
HITACHI EX220, EX220-1, EX220-3, EX230, EX230-3, EX230-5					
1	3041202	Pin	Bucket to dipper arm	1	65
2	3041203	Pin	Bucket to H-link	1	65
3	3038445	Pin	Link to dipper	1	47
4	3038448	Pin	Link to cylinder	1	55
5	8050168	H Link		1	350
6	4203426	Bushing		2	5
7	3038450	Bushing		2	2.1
8	4067901	Seal		4	0.1
9	4067901	Seal		2	0.1
10	8050930	Link L/H	(with bolt holes)	1	65
11	3056355	Link R/H		1	55
12	4203424	Bushing		2	3
13	4067902	Seal		2	0.1
14	4203425	Bushing		2	3
15	4067901	Seal		2	0.1
16	4089028	O Ring		4	0.1

H-LINKS, LINKS, PINS & BUSHINGS

HITACHI

Ref.	Part No.	Description	Notes	Qty.	Wt.
HITACHI ZX200, ZX210, ZX225					
1	3088577	Pin	Bucket to dipper arm	1	42
2	3088580	Pin	Bucket to H-link	1	42
3	3088579	Pin	Link to dipper	1	28
4	3088581	Pin	Link to cylinder	1	39
5	8076541	H-Link		1	240
6	4443882	Bushing		2	2.2
7	4352398	Bushing		4	3.2
8/9	4067902	Seal		6	0.1
10	8074315	Link L/H	(with bolt holes)	1	52
11	3084173	Link R/H		1	45
12	4409122	Bushing		2	1.6
13	4084578	Seal		2	0.05
14	4409178	Bushing		2	2.2
15	4067902	Seal		2	0.1
16	4089028	O-Ring		4	0.05
HITACHI ZX230, ZX240, ZX250					
1	3088753	Pin	Bucket to dipper arm	1	65
2	3088754	Pin	Bucket to H-link	1	65
3	3088752	Pin	Link to dipper	1	47
4	T138885	Pin	Link to cylinder	1	59
5	8081885	H-Link		1	350
6	4443880	Bushing		2	5
7	4358100	Bushing		4	2.1
8/9	4067901	Seal		6	0.05
10	8082552	Link L/H	(with bolt holes)	1	65
11	3056355	Link R/H		1	55
12	4434036	Bushing		2	3
13	4067902	Seal		2	0.1
14	4443880	Bushing		2	5
15	4067901	Seal		2	0.05
16	4089028	O-Ring		4	0.05
HITACHI EX270, EX270-3, EX270-5					
1	3041202	Pin	Bucket to dipper arm	1	65
2	3041392	Pin	Bucket to H-link	1	65
3	3038468	Pin	Link to dipper	1	48
4	3038473	Pin	Link to cylinder	1	61
5	8038660-61	H-Link		1	352
6	4203426	Bushing		2	5
7	3038527	Bushing		4	2.1
8/9	4067901	Seal		6	0.1
10	8040334	Link L/H	(with bolt holes)	1	65
11	3040205	Link R/H		1	55
12	4196107	Bushing		2	3
13	4067902	Seal		2	0.5
14	4203425	Bushing		2	3
15	4067901	Seal		2	0.1
16	4089028	O Ring		4	0.1

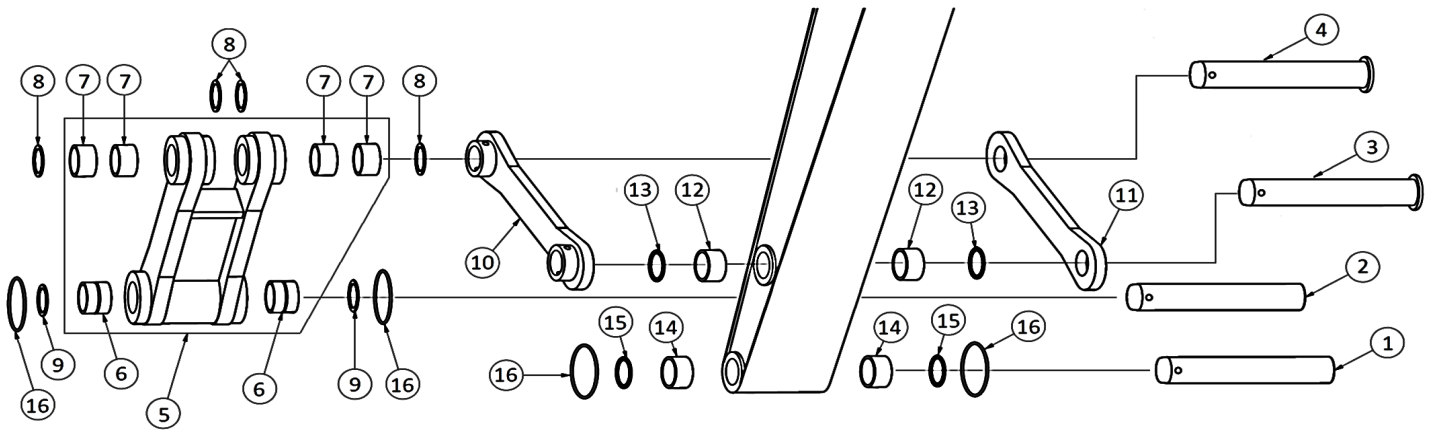


Ref.	Part No.	Description	Notes	Qty.	Wt.
HITACHI ZX270, ZX280, ZX290					
1	3090166	Pin	Bucket to dipper arm	1	65
2	3090167	Pin	Bucket to H-link	1	65
3	3090168	Pin	Link to dipper	1	48
4	3120934	Pin	Link to cylinder	1	61
5	8084924-25	H-Link		1	352
6	4355875	Bushing		4	5
7	4397791	Bushing		4	2.1
8	4067901	Seal		4	0.05
9	4067901	Seal		2	0.05
10	8080569	Link L/H	(with bolt holes)	1	65
11	3075524	Link R/H		1	55
12	4434036	Bushing		2	3
13	4067902	Seal		2	0.1
14	4443880	Bushing		2	5
15	4067901	Seal		2	0.05
16	4089028	O-Ring		4	0.05
HITACHI EX300-2, EX300-3, EX300-5					
1	3060474	Pin	Bucket to dipper arm	1	85
2	3041581	Pin	Bucket to H-link	1	85
3	3037539	Pin	Link to dipper	1	64
4	3037540	Pin	Link to cylinder	1	79
5	8050126	H-Link		1	390
6	3065085	Bushing		2	5
7	3037259	Bushing		4	5
8	4074008	Seal		4	0.1
9	4074008	Seal		2	0.1
10	8050397	Link L/H	(with bolt holes)	1	78
11	3055521	Link R/H		1	68
12	3026076	Bushing		2	2.1
13	4067901	Seal		2	0.1
14	3062204	Bushing		2	5
15	4074008	Seal		2	0.1
16	4100180	O Ring		4	0.1

H-LINKS, LINKS, PINS & BUSHINGS**HITACHI**

Ref.	Part No.	Description	Notes	Qty.	Wt.
HITACHI ZX330, ZX350					
1	3090417	Pin	Bucket to dipper arm	1	85
2	3090418	Pin	Bucket to H-link	1	85
3	3089968	Pin	Link to dipper	1	64
4	3092037	Pin	Link to cylinder	1	79
5	8083063	H-Link		1	390
6	4443885	Bushing		2	4
7	4381857	Bushing		4	2.4
8	4074008	Seal		4	0.1
9	4074008	Seal		2	0.1
10	8071699	Link L/H	(with bolt holes)	1	78
11	3055521	Link R/H		1	68
12	4438771	Bushing		2	2.1
13	4067901	Seal		2	0.05
14	4443885	Bushing		2	4
15	4074008	Seal		2	0.1
16	4100180	O-Ring		4	0.1

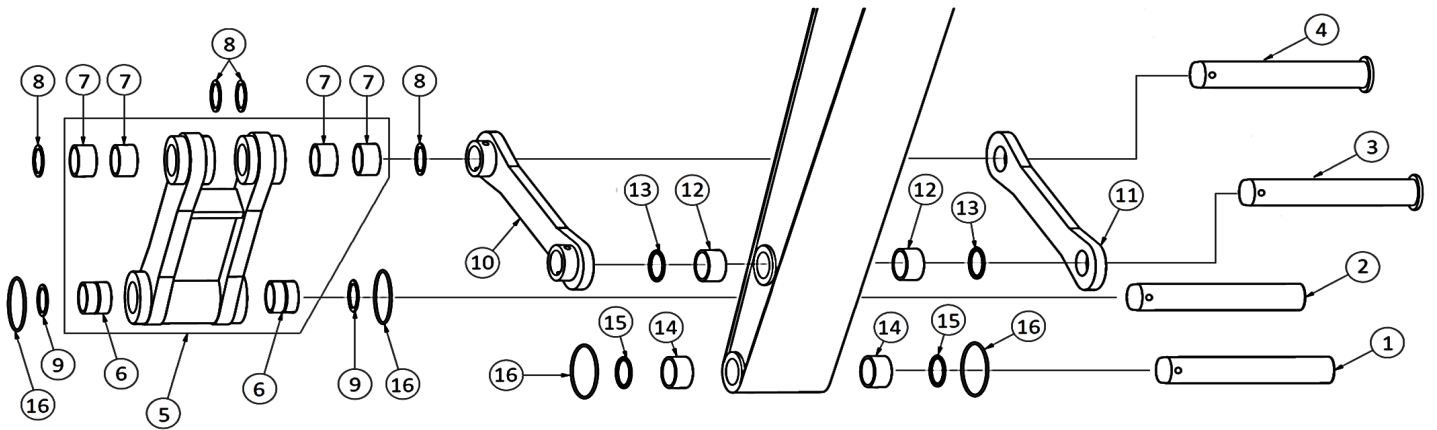
HITACHI ZX450, ZX470					
1	3104742	Pin	Bucket to dipper arm	1	115
2	3093215	Pin	Bucket to H-link	1	115
3	3055219	Pin	Link to dipper	1	84
4	DH300061	Pin	Link to cylinder	1	102
5	9206398	H-Link		1	463
6	AT201695	Bushing		2	7.5
7	AT201695	Bushing		2	7.5
8	4251212	Seal		4	0.1
9	4251212	Seal		2	0.1
10	8050178	Link L/H	(with bolt holes)	1	130
11	8050176	Link R/H		1	106
12	TH103214	Bushing		2	2.4
13	4074008	Seal		2	0.1
15	4251212	Seal		2	0.1
16	4487682	O-Ring		4	0.1



Ref.	Part No.	Description	Notes	Qty.	Wt.
CAT E70, E70B, 307, 307B, 307C, 307SSR					
1	180-7810	Pin	Bucket to dipper arm	1	10
2	180-7810	Pin	Bucket to H-link	1	10
3	180-7809	Pin	Link to dipper	1	11
4	180-7811	Pin	Link to cylinder	1	11
5	235-3793	H-Link		1	70
6	218-5429	Bushing		2	1
7	218-5197	Bushing		2	1
8	093-1432	Seal		4	0.5
9	093-1430	Seal		2	0.1
10	71-2152	Link L/H	(with bolt holes)	1	16
11	71-2153	Link R/H		1	13
12	242-3740	Bushing		2	1
13	093-1430	Seal		2	0.1
14	242-3740	Bushing		2	1
15	093-1430	Seal		4	0.1
16	093-1341	O Ring		4	0.5
CAT E110B, E120B, 311, 311B, 311C, 312, 312B					
1	144-1013	Pin	Bucket to dipper arm	1	23
2	144-1013	Pin	Bucket to H-link	1	23
3	144-1012	Pin	Link to dipper	1	16
4	144-1012	Pin	Link to cylinder	1	16
5	168-0015	H-Link		1	120
6	189-3869	Bushing		2	1.9
7	143-3835	Bushing		2	1.5
8	093-1433	Seal		4	0.1
9	096-0131	Seal		2	0.1
10	198-5736	Link L/H	(with bolt holes)	1	23
11	198-5737	Link R/H		1	17
12	229-1095	Bushing		2	1.5
13	093-1433	Seal		2	0.1
14	229-1091	Bushing		2	2
15	096-0131	Seal		2	0.1
16	093-1342	O Ring		4	0.5

H-LINKS, LINKS, PINS & BUSHINGS**CAT**

Ref.	Part No.	Description	Notes	Qty.	Wt.
CAT 312C, 312CL, 314C CR, 314C LCR					
1/2	086-0523	Pin	Bucket to dipper arm & H-link	2	23
3	71-6843	Pin	Link to dipper	1	16
4	71-6843	Pin	Link to cylinder	1	16
5	168-0015	H-Link		1	120
6	229-1092	Bushing		2	1.9
7	229-1095	Bushing		2	1.5
8	093-1433	Seal		4	0.1
9	096-0131	Seal		2	0.1
10	198-5719	Link L/H	(with bolt holes)	1	23
11	198-5720	Link R/H		1	17
12	229-1095	Bushing		2	1.5
13	093-1433	Seal		2	0.1
14	229-1091	Bushing		2	2
15	096-0131	Seal		2	0.1
16	093-1342	O Ring		4	0.5
CAT 312D, 312DL, 312E, 312EL, 314D CR, 314D LCR					
1/2	086-0523	Pin	Bucket to dipper arm & H-link	2	23
3	71-6843	Pin	Link to dipper	1	16
4	248-7820	Pin	Link to cylinder	1	16
5	282-4503	H-Link		1	120
6	229-1092	Bushing		1	1.9
7	248-7835	Bushing		2	1.5
8	093-1433	Seal		2	0.1
9	248-7836	Seal		4	0.1
10	248-7823	Link L/H	(with bolt holes)	2	23
11	248-7822	Link R/H		1	17
12	229-1095	Bushing		2	1.5
13	166-1492	Seal		2	0.1
14	229-1091	Bushing		2	2
15	248-7836	Seal		2	0.1
16	367-8465	O Ring		4	0.5
CAT 315, 315B, 315C, 315L, 315BL, 315CL					
1/2	150-6528	Pin	Bucket to dipper arm & H-link	2	36
3	150-6527	Pin	Link to dipper	1	27
4	106-6876	Pin	Link to cylinder	1	35
5	180-7634	H-Link		1	229
6	228-5614	Bushing		2	1.9
7	137-2919	Bushing		2	2.8
8	096-0854	Seal		4	0.1
9	093-1434	Seal		2	0.1
10	087-5803	Link L/H	(with bolt holes)	1	43
11	087-5802	Link R/H		1	35
12	229-1096	Bushing		2	1.9
13	093-1434	Seal		2	0.1
14	228-5614	Bushing		2	1.9
15	093-1434	Seal		2	0.1
16	102-9976	O Ring		4	0.1



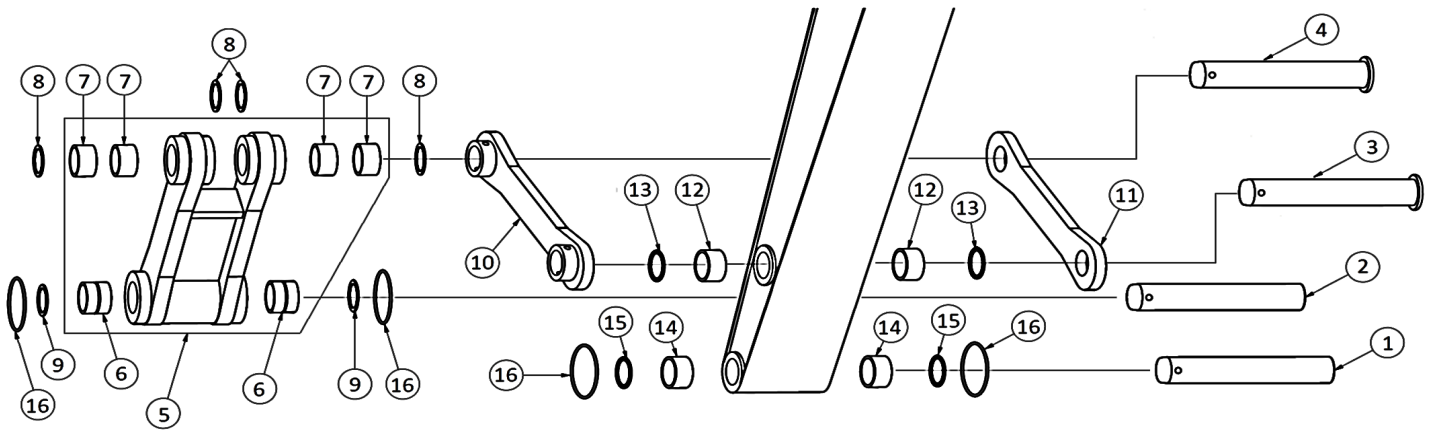
Ref.	Part No.	Description	Notes	Qty.	Wt.
CAT 315D, 315DL, 316E, 316EL					
1	106-6878	Pin	Bucket to dipper arm	1	36
2	106-6878	Pin	Bucket to H-link	1	36
3	106-6877	Pin	Link to dipper	1	27
4	106-6876	Pin	Link to cylinder	1	35
5	278-9373	H-Link		1	229
6	228-5614	Bushing		2	1.9
7	244-4360	Bushing		2	2.8
8	166-1494	Seal		4	0.1
9	235-7679	Seal		2	0.1
10	087-5803	Link L/H	(with bolt holes)	1	43
11	087-5802	Link R/H		1	35
12	229-1096	Bushing		2	1.9
13	235-7679	Seal		2	0.1
14	228-5614	Bushing		2	1.9
15	235-7679	Seal		2	0.1
16	367-8466	O Ring		4	0.1

CAT EL200B, 318BL, 318BLN, 320, 320L, 320B, 320BL					
1	087-5805	Pin	Bucket to dipper arm	1	44
2	087-5805	Pin	Bucket to H-link	1	44
3	087-5806	Pin	Link to dipper	1	29
4	087-5845	Pin	Link to cylinder	1	38
5	166-1581	H-Link		1	269
6	143-3841	Bushing		2	2
7	137-2919	Bushing		2	3
8/9	096-0854	Seal		6	0.1
10	087-5803	Link L/H	(with bolt holes)	1	43
11	087-5802	Link R/H		1	35
12	163-3749	Bushing		2	1.9
13	093-1434	Seal		2	0.5
14	137-2919	Bushing		2	2
15	096-0854	Seal		2	0.1
16	093-1342	O Ring		4	0.1

H-LINKS, LINKS, PINS & BUSHINGS

CAT

Ref.	Part No.	Description	Notes	Qty.	Wt.
CAT 318C, 318CL, 318CLN, 320C, 320CL, 321C LCR					
1/2	087-5805	Pin	Bucket to dipper arm & H-link	2	44
3	087-5806	Pin	Link to dipper	1	29
4	087-5845	Pin	Link to cylinder	1	38
5	174-8255	H-Link		1	269
6	240-2912	Bushing		2	2
7	240-2913	Bushing		2	3
8	096-0854	Seal		4	0.1
9	096-0854	Seal		2	0.1
10	087-5803	Link L/H	(with bolt holes)	1	43
11	087-5802	Link R/H		1	35
12	163-3749	Bushing		2	1.9
13	093-1434	Seal		2	0.5
14	137-2919	Bushing		2	2
15	096-0854	Seal		2	0.1
16	093-1344	O Ring		4	0.1
CAT 319DL, 319DLN, 320DL, 320EL, 321D LCR					
1/2	087-5805	Pin	Bucket to dipper arm & H-link	2	44
3	254-3052	Pin	Link to dipper	1	29
4	254-3053	Pin	Link to cylinder	1	38
5	260-2289	H-Link		1	269
6	240-2912	Bushing		2	2
7	244-4360	Bushing		2	3
8	166-1494	Seal		4	0.1
9	166-1494	Seal		2	0.1
10	244-4254	Link L/H	(with bolt holes)	1	43
11	244-4255	Link R/H		1	35
12	229-1096	Bushing		2	1.9
13	235-7679	Seal		2	0.5
14	240-2913	Bushing		2	2
15	166-1494	Seal		2	0.1
16	367-8467	O Ring		4	0.1
CAT 322, 322B, 322BL, 322CL					
1/2	087-5805	Pin	Bucket to dipper arm & H-link	2	44
3	186-5732	Pin	Link to dipper	1	30
4	186-5730	Pin	Link to cylinder	1	39
5	178-0964	H-Link		1	269
6	143-3841	Bushing		2	2
7	137-2919	Bushing		2	2.8
8	096-0854	Seal		4	0.1
9	096-0854	Seal		2	0.1
10	102-3271	Link L/H	(with bolt holes)	1	70
11	187-5731	Link R/H		1	60
12	163-3749	Bushing		2	1.9
13	093-1434	Seal		2	0.5
14	129-7768	Bushing		2	2.8
15	096-0854	Seal		2	0.1
16	093-1344	O Ring		4	0.1

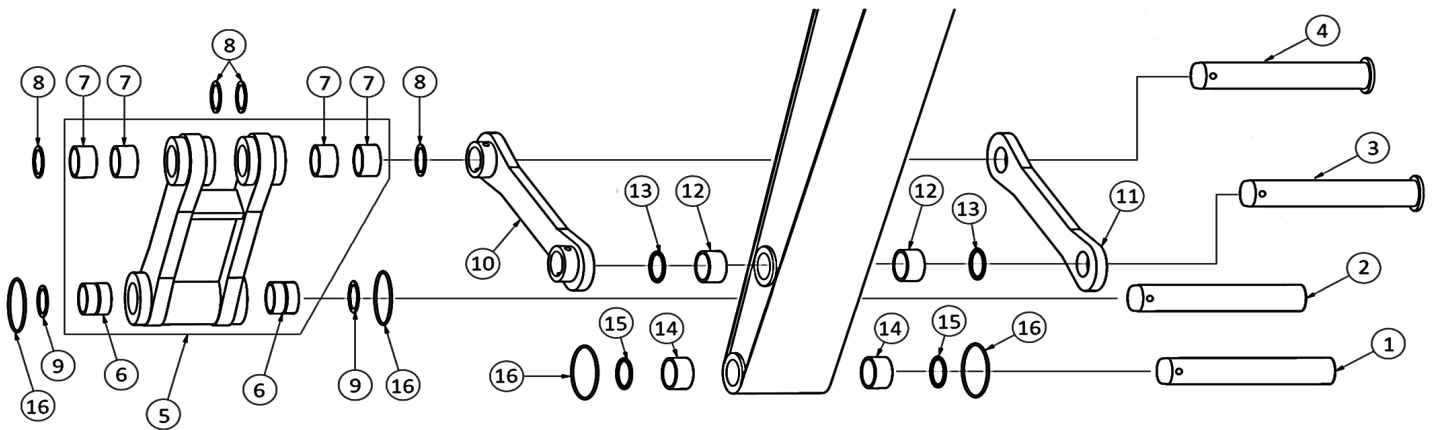


Ref.	Part No.	Description	Notes	Qty.	Wt.
CAT 324D, 324DL, 324E, 324EL					
1	234-3931	Pin	Bucket to dipper arm	1	44
2	234-3931	Pin	Bucket to H-link	1	44
3	186-5732	Pin	Link to dipper	1	30
4	186-5730	Pin	Link to cylinder	1	39
5	260-2463	H-Link		1	269
6	228-5615	Bushing		2	2
7	244-4360	Bushing		2	2.8
8	166-1494	Seal		4	0.1
9	166-1495	Seal		2	0.1
10	244-4263	Link L/H	(with bolt holes)	1	70
11	244-4264	Link R/H		1	60
12	228-5614	Bushing		2	1.9
13	235-7679	Seal		2	0.5
14	228-5615	Bushing		2	2.8
15	166-1495	Seal		2	0.1
16	367-8468	O Ring		4	0.1
CAT 325, 325B, 325L, 325BL, 325C, 325CL					
1	7Y-2357	Pin	Bucket to dipper arm	1	54
2	7Y-2357	Pin	Bucket to H-link	1	54
3	186-5662	Pin	Link to dipper	1	33
4	186-5652	Pin	Link to cylinder	1	43
5	186-5653	H-Link		1	349
6	240-2912	Bushing		2	2.2
7	240-2915	Bushing		2	3.2
8	096-0854	Seal		4	0.1
9	096-0854	Seal		2	0.1
10	186-5650	Link L/H	(with bolt holes)	1	77
11	7Y-2392	Link R/H		1	64
12	7Y-3551	Bushing		2	1.9
13	093-1434	Seal		2	0.5
14	208-1959	Bushing		2	2.8
15	096-0854	Seal		2	0.1
16	093-1344	O Ring		4	0.1

H-LINKS, LINKS, PINS & BUSHINGS

CAT

Ref.	Part No.	Description	Notes	Qty.	Wt.
CAT 325D, 325DL, 328D LCR, 329D, 329DL, 329E, 329EL					
1	234-3931	Pin	Bucket to dipper arm	1	54
2	234-3931	Pin	Bucket to H-link	1	54
3	186-5662	Pin	Link to dipper	1	33
4	234-3930	Pin	Link to cylinder	1	43
5	254-2996	H-Link		1	349
6	228-5615	Bushing		2	2.2
7	228-5615	Bushing		2	3.2
8	166-1495	Seal		4	0.1
9	166-1495	Seal		2	0.1
10	234-3927	Link L/H	(with bolt holes)	1	77
11	234-3928	Link R/H		1	64
12	228-5614	Bushing		2	1.9
13	235-7679	Seal		2	0.5
14	228-5615	Bushing		2	2.8
15	166-1495	Seal		2	0.1
16	093-1345	O Ring		4	0.1
CAT 330, 330B, 330L, 330BL, 330C, 330CL					
1	7Y-3550	Pin	Bucket to dipper arm	1	75
2	7Y-3549	Pin	Bucket to H-link	1	54
3	189-3922	Pin	Link to dipper	1	35
4	189-3923	Pin	Link to cylinder	1	58
5	212-3002	H-Link		1	375
6	203-7322	Bushing		2	2
7	203-7326	Bushing		4	5
9	166-1494	Seal		2	0.1
10	189-3878	Link L/H	(with bolt holes)	1	82
11	7Y-3546	Link R/H		1	73
12	7Y-3551	Bushing		2	1.9
13	093-1434	Seal		2	0.5
14	137-2819	Bushing		2	5
15	166-1496	Seal		2	0.5
16	093-1344	O Ring		4	0.1
CAT 330D, 330DL, 336D, 336DL, 336E, 336EL					
1	251-2552	Pin	Bucket to dipper arm	1	75
2	251-2558	Pin	Bucket to H-link	1	54
3	189-3922	Pin	Link to dipper	1	35
4	251-2557	Pin	Link to cylinder	1	58
5	254-3025	H-Link		1	375
6	228-5615	Bushing		2	2
7	241-7280	Bushing		2	5
9	166-1495	Seal		2	0.1
10	241-7150	Link L/H	(with bolt holes)	1	82
11	241-7129	Link R/H		1	73
12	241-7231	Bushing		2	1.9
13	235-7679	Seal		2	0.5
14	228-5617	Bushing		2	5
15	166-1496	Seal		2	0.5



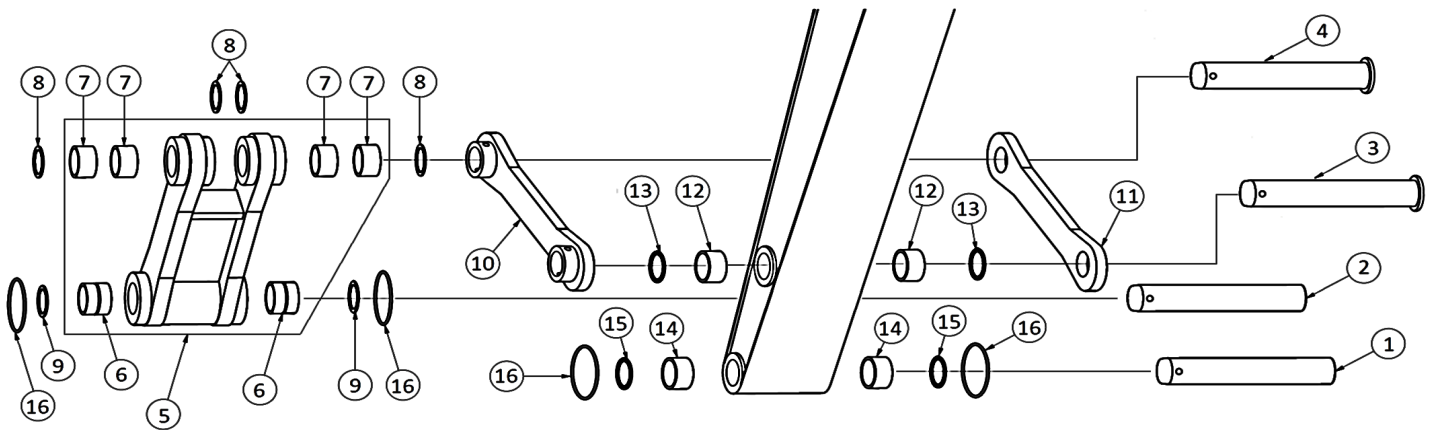
Ref.	Part No.	Description	Notes	Qty.	Wt.
KOMATSU PC60, PC75, PC75UU					
1	20X-70-24211	Pin	Bucket to dipper arm	1	14
2	20X-70-24211	Pin	Bucket to H-link	1	14
3	20X-70-24260	Pin	Link to dipper	1	11
4	20X-70-24220	Pin	Link to cylinder	1	16
5	20X-70-00220-230	H-Link	1 pc.	1	59
8	07145-00060	Seal		4	0.1
9	07145-00050	Seal		2	0.1
10	20X-70-24120	Link L/H	(with bolt holes)	1	23
11	20X-70-24110	Link R/H		1	26
13	130-09-12931	Seal		2	0.1
15	130-09-12931	Seal		2	0.1
16	175-30-16210	O Ring		2	0.1
KOMATSU PC100, PC120-6					
1	203-70-44380	Pin	Bucket to dipper arm	1	20
2	203-70-44380	Pin	Bucket to H-link	1	20
3	202-70-64151	Pin	Link to dipper	1	20
4	202-70-64161	Pin	Link to cylinder	1	20
5	203-70-00870	H-Link	1 pc.	1	121
6	203-70-56160	Bushing		2	1.5
7	203-70-56140	Bushing		2	1.9
8	07145-00065	Seal		4	0.1
9	07145-00060	Seal		2	0.1
10	202-70-64121	Link L/H	(with bolt holes)	1	34
11	202-70-64131	Link R/H		1	29
12	203-70-56160	Bushing		2	1.5
13	07145-00060	Seal		2	0.1
15	07145-00060	Seal		2	0.1
KOMATSU PC150					
1	21K-70-23140	Pin	Bucket to dipper arm	1	33
2	21K-70-23140	Pin	Bucket to H-link	1	33
3	21K-70-23220	Pin	Link to dipper	1	31
4	21K-70-23190	Pin	Link to cylinder	1	31

cont'd on next page

H-LINKS, LINKS, PINS & BUSHINGS

KOMATSU

Ref.	Part No.	Description	Notes	Qty.	Wt.
KOMATSU PC150					
5	21K-70-23120	Link	Cylinder to bucket	2	93
6	21K-70-13150	Bushing		2	2.6
7	21K-70-13150	Bushing		2	2.6
	21K-70-23130	Spacer	Used between the bucket links	1	4.3
8	21K-70-12180	Seal		4	0.1
9	21K-70-12180	Seal		2	0.1
10	21K-70-23110	Link L/H	(with bolt holes)	1	48
11	21K-70-23210	Link R/H		1	42
12	21K-70-12170	Bushing		2	2.6
13	21K-70-12180	Seal		4	0.1
14	21K-70-22130	Bushing		2	3.8
15	21K-70-12180	Seal		4	0.1
16	21K-70-23160	O Ring		4	0.1
KOMATSU PC200, PC210, PC228UU					
1	205-70-73270	Pin	Bucket to dipper arm	1	47
2	205-70-73270	Pin	Bucket to H-link	1	47
3	205-70-73160	Pin	Link to dipper	1	30
4	205-70-73160	Pin	Link to cylinder	1	30
5	20Y-70-00070	H-Link		1	287
6	205-70-67150	Bushing		2	2.8
7	205-70-73180	Bushing		2	2.2
8	21K-70-12180	Seal		4	0.1
9	205-70-62140	Seal		2	0.1
10	205-70-73130	Link		1	56
11	205-70-73130	Link		1	56
12	205-70-12170	Bushing		2	2.6
13	21K-70-12180	Seal		2	0.1
14	205-70-72130	Bushing		2	4.2
15	205-70-62140	Seal		2	0.1
16	205-70-73280	O Ring		4	0.1
KOMATSU PC220 & PC240					
1	205-70-73270	Pin	Bucket to dipper arm	1	47
2	205-70-73270	Pin	Bucket to H-link	1	47
3	206-70-53140	Pin	Link to dipper	1	37
4	206-70-53140	Pin	Link to cylinder	1	37
5	206-70-00130	H-Link		1	300
6	205-70-67150	Bushing		2	2.8
7	206-70-53150	Bushing		2	2.2
8	205-70-62140	Seal		4	0.1
9	205-70-62140	Seal		2	0.1
10	206-70-57120	Link	PC220	1	49
11	206-70-57120	Link	PC220	1	49
12	21K-70-12161	Bushing		2	2.8
13	205-70-62140	Seal		2	0.1
14	205-70-72130	Bushing		2	4.2
15	205-70-62150	Seal		2	0.1
16	205-70-73280	O Ring		4	0.1



Ref.	Part No.	Description	Notes	Qty.	Wt.
KOMATSU PC300					
1	207-70-61230	Pin	Bucket to dipper arm	1	65
2	207-70-61230	Pin	Bucket to H-link	1	65
3	207-70-33140	Pin	Link to dipper	1	55
4	207-70-33140	Pin	Link to cylinder	1	55
5	207-70-00120	H-Link		1	348
6	207-70-33160	Bushing		2	5
7	207-70-33160	Bushing		2	5
8	205-70-62180	Seal		4	0.1
9	205-70-62180	Seal		4	0.1
10	207-70-33120	Link		1	84
11	207-70-33120	Link		1	84
12	207-70-32150	Bushing		2	3
13	205-70-62180	Seal		2	0.1
14	207-70-61550	Bushing		2	7
15	207-70-12270	Seal		2	0.1

KOMATSU PC400					
1	208-70-61230	Pin	Bucket to dipper arm	1	85
2	208-70-61230	Pin	Bucket to H-link	1	85
3	208-70-33140	Pin	Link to dipper	1	76
4	208-70-33140	Pin	Link to cylinder	1	76
5	208-70-00121	H-Link		1	408
6	208-70-13141	Bushing		2	4
7	208-70-13141	Bushing		2	4
8	208-70-12230	Seal		4	0.1
9	208-70-12230	Seal		4	0.1
10	208-70-33120	Link		1	110
11	208-70-33120	Link		1	110
12	208-70-13141	Bushing		2	4
13	208-70-12230	Seal		2	0.1

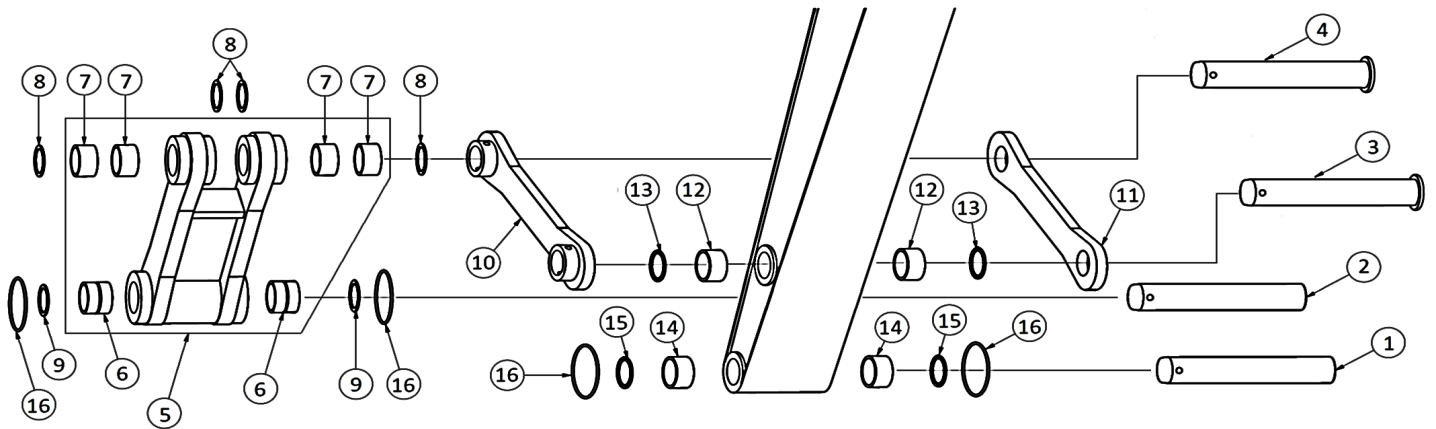
H-LINKS, LINKS, PINS & BUSHINGS

KOBELCO

Ref.	Part No.	Description	Notes	Qty.	Wt.
KOBELCO SK60					
1	2419P1664D1	Pin	Bucket to dipper arm	1	11
2	2419P1664D1	Pin	Bucket to H-link	1	11
3	2419P3428D1	Pin	Link to dipper	1	9.4
4	2419P3429D1	Pin	Link to cylinder	1	9.4
5	2406P4810D2F1-D1F1	H-Link		1	68
10	2406P4800D2	Link L/H	(with bolt holes)	1	20
11	2406P4800D1	Link R/H		1	20

KOBELCO SK100					
1	2419P1657D1	Pin	Bucket to dipper arm	1	23
2	2419P1657D1	Pin	Bucket to H-link	1	23
3	2419P3417D1	Pin	Link to dipper	1	17
4	2419P3416D1	Pin	Link to cylinder	1	17
6	2405T605C2	Bushing		2	1.9
7	2405T847	Bushing		2	1.5
8	2445R138D3	Seal		4	0.1
9	2445R220D1	Seal		2	0.1
12	2406T824	Bushing		2	1.5
13	2445R138D3	Seal		2	0.1
15	2445R220D1	Seal		2	0.1
16	2445Z887	O Ring		4	0.1

KOBELCO SK115 -120-MD 140 SK130, SK135					
1	2419P4031D1	Pin	Bucket to dipper arm	1	23
2	2419P4031D1	Pin	Bucket to H-link	1	23
3	2419P4050D2	Pin	Link to dipper	1	19
4	2419P4049D2	Pin	Link to cylinder	1	19
5	2406N795F1	H-Link		1	143
6	2405T825	Bushing		2	1.9
7	2405T824	Bushing		2	1.5
8	2445R138D3	Seal		4	0.1
9	2445R220D2	Seal		2	0.1
10	2406P4866D2	Link L/H	(with bolt holes)	1	40
11	2406P4866D1	Link R/H		1	32
12	2405T824	Bushing		2	1.5
13	2445R138D3	Seal		2	0.1
14	2405P472	Bushing		2	3.4
15	2445R220D2	Seal		2	0.1
16	2445Z869	O Ring		4	0.1



Ref.	Part No.	Description	Notes	Qty.	Wt.
KOBELCO SK150, SK160					
1	2419P4116	Pin	Bucket to dipper arm	1	33
2	2419P4116	Pin	Bucket to H-link	1	33
3	2419P4115	Pin	Link to dipper	1	24
4	2419P4114	Pin	Link to cylinder	1	29
5	2406N1736F1	H-Link	SK150 Only	1	178
6	2405T1885	Bushing		2	2.2
7	2405P725	Bushing		2	2.6
8	2445R138D6	Seal		4	0.1
9	2445R220D3	Seal		2	0.1
10	2406P5564	Link L/H	(with bolt holes)	1	45
11	2406P5565	Link R/H		1	37
12	2405T1887	Bushing		2	2
13	2445R138D4	Seal		2	0.1
14	2405P726	Bushing		2	3.8
15	2445R220D3	Seal		2	0.1
16	2445Z1570	O Ring		4	0.1

KOBELCO SK200 Series III IV & V, SK210					
1	2419T3752	Pin	Bucket to dipper arm	1	44
2	2419T3752	Pin	Bucket to H-link	1	44
3	2419P3381D1	Pin	Link to dipper	1	31
4	2419P3266D1	Pin	Link to cylinder	1	40
5	2406N1662F1	H-Link		1	295
6	2405T951	Bushing		2	3.2
7	2405T1275	Bushing		2	2.2
8	2445R220D4	Seal		4	0.1
9	2445R220D4	Seal		2	0.1
10	2406P4823D1	Link L/H	(with bolt holes)	1	53
11	2406P4823D2	Link R/H		1	47
12	B05T0041C2	Bushing		2	2.2
13	2445R220D3	Seal		2	0.1
14	2405T1274	Bushing		2	4.4
15	2445R220D4	Seal		2	0.1
16	2445Z1136	O Ring		4	0.1

H-LINKS, LINKS, PINS & BUSHINGS

KOBELCO & CASE

Ref.	Part No.	Description	Notes	Qty.	Wt.
KOBELCO SK220, SK250, SK270, III IV V					
1	2419T4684D1	Pin	Bucket to dipper arm	1	65
2	2419T4684D1	Pin	Bucket to H-link	1	65
3	2419P3267D1	Pin	Link to dipper	1	31
4	2419P3266D1	Pin	Link to cylinder	1	40
5	2406N1663F1	H-Link		1	290
7	2405T1263	Bushing		2	2.8
8	2445R220D4	Seal		4	0.1
9	2445R220D6	Seal		2	0.1
10	2406P4903D1	Link L/H	(with bolt holes)	1	60
11	2406P4903D2	Link R/H		1	53
12	B05T0041C2	Bushing		2	2.2
13	2445R220D3	Seal		2	0.1
14	2405T1293	Bushing		2	4.8
15	2445R220D6	Seal		2	0.1
16	2445Z888	O Ring		4	0.1
KOBELCO SK300 IV					
1	2419P2180	Pin	Bucket to dipper arm	1	75
2	2419P2180	Pin	Bucket to H-link	1	75
3	2419P3748	Pin	Link to dipper	1	59
4	2419P3749	Pin	Link to cylinder	1	59
5	2406N1686F1	H-Link		1	335
8	2445R138D8	Seal		4	0.1
9	2445R220D6	Seal		2	0.1
10	2406P5385D1	Link L/H	(with bolt holes)	1	81
11	2406P5385D2	Link R/H		1	65
13	2445R138D7	Seal		2	0.1
15	2445R220D6	Seal		2	0.1
16	2445Z1003	O Ring		4	0.1
CASE CX210, CX225SR, 9030B					
1	169282A1	Pin	Bucket to dipper arm CX210, CX225SR	1	47
2	169283A1	Pin	Bucket to H-link CX210, CX225SR	1	47
1	160469A1	Pin	Bucket to dipper arm 9030B	1	47
2	153741A1	Pin	Bucket to H-link 9030B	1	47
3	KRV2669	Pin	Link to dipper	1	34
4	KRV3050	Pin	Link to cylinder	1	43
5	KRV3020	H-Link	(160459C1-164514A1)	1	267
6	160447A1	Bushing		2	2.2
7	KRV2670	Bushing		2	3
8	160401A1	Seal		4	0.1
9	159647A1	Seal		2	0.1
10	KRV2717	Link L/H	(with bolt holes)	1	56
11	KRV2716	Link R/H		1	44
13	160400A1	Seal		2	0.05
15	159647A1	Seal		2	0.1

H-LINKS, LINKS, PINS & BUSHINGS**CASE**

Ref.	Part No.	Description	Notes	Qty.	Wt.
CASE CX330, CX350					
1	KSV1419	Pin	Bucket to dipper arm	1	65
2	KSV1420	Pin	Bucket to H-link	1	65
3	KSV1414	Pin	Link to dipper	1	59
4	KSV1460	Pin	Link to cylinder	1	82
5	KSV1449	H-Link		1	377
6	KSV1412	Bushing		2	3
7	KSV1411	Bushing		2	4
9	159648A1	Seal		2	0.05
10	KSV1451	Link L/H	(with bolt holes)	1	90
11	KSV1450	Link R/H		1	71
13	160401A1	Seal		2	0.05
15	159648A1	Seal		2	.05
CASE CX130, CX135SR					
1	169278A1	Pin	Bucket to dipper arm	1	23
2	169279A1	Pin	Bucket to H-link	1	23
CASE CX160					
1	169280A1	Pin	Bucket to dipper arm	1	44
2	169281A1	Pin	Bucket to H-link	1	44
CASE CX240, CX290					
1	169284A1	Pin	Bucket to dipper arm	1	65
2	169285A1	Pin	Bucket to H-link	1	65
CASE 9007, 9007B					
1	166396A1	Pin	Bucket to dipper arm	1	10
2	166397A1	Pin	Bucket to H-link	1	10
CASE 9010, 9010B					
1	153704A1	Pin	Bucket to dipper arm	1	23
2	153705A1	Pin	Bucket to H-link	1	23
CASE 9020, 9020B					
1	157149A1	Pin	Bucket to dipper arm	1	44
2	157148A1	Pin	Bucket to H-link	1	44
CASE 9040, 9040B, 9045, 9045B					
1	159459A1	Pin	Bucket to dipper arm	1	65
2	153653A1	Pin	Bucket to H-link	1	65
CASE 9050, 9050B					
1	169286A1	Pin	Bucket to dipper arm	1	65
2	169287A1	Pin	Bucket to H-link	1	65
CASE 9060, 9060B					
1	170151A1	Pin	Bucket to dipper arm	1	85
2	170153A1	Pin	Bucket to H-link	1	85