

Date: _____ Customer: _____

Project: _____

Type: _____ Qty: _____



Exelia Gen5 LED



Order Code: _____

Series	EXRL Exelia Gen5 LED							
Nominal Overall Ht.	08	09	10	11	12	13	14	
	8 ft	9 ft	10 ft	11 ft	12 ft	13 ft	14 ft	
	15	16	17	18	19	20		
	15 ft	16 ft	17 ft	18 ft	19 ft	20 ft		
Optic	R1 Type I	R2 Type II	R3 Type III	R3W Type III (Wide)	R4 Type IV	R5R Type V (Round)	R5S Type V (Square)	R5Q Type V (Rectangular)
Light Engine	5G350 nominal 33W	5G530 nominal 48W	5G700 nominal 64W	5G105 nominal 97W	5G140 nominal 126W			
CCT	27 ^{1*} 2700K	30 ¹ 3000K	35 [*] 3000K	40 4000K	50 [*] 4000K			² 2700K and 3000K are IDA-Approved [*] Consult factory for lead time
Finish	WH White	BK Black	BL Semi-Matte Black	BZ Bronze	SV Silver	SP Specify Premium Color		
Voltage	UNV 120-277V	120 120V	208 208V	240 240V	277 277V	347 ^{2,3} 347V	480 ^{2,3} 480V	² Not available with HL50 ³ Requires step-down transformer
Options	DM ⁷ Dimming (0-10V)	HL50 ^{4,7} Hi-Lo Switching Low Output 50%	HS ⁵ House Side Shield	REC ^{9,10} 120V GFCI Receptacle with weatherproof cover	REC ^{2,9,10} 120V GFCI Receptacle with padlockable in-use cover	REC ^{3,9,10} USB & Duplex Receptacle with weatherproof cover	REC ^{4,9,10} USB & Duplex Receptacle with weatherproof padlockable in-use cover	⁴ 120V, 240V and 277V only ⁵ Type I, II, III and IV only ⁶ See page 5 for details ⁷ DM, HLXX, or MS only. Cannot be combined. PC or MS only. Cannot be combined. ⁸ Recommended depending on local site conditions regarding wind vibrations ⁹ 120V only ¹⁰ See page 7 for details
	PC ⁷ Photocell	VI ⁸ Vibration Dampener (consult factory)	MS ⁶ Motion Sensor					

Product Modifications

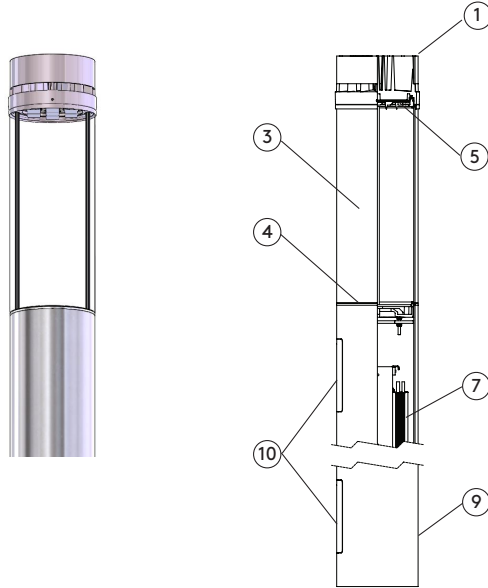
Please list modification requirements for review by factory:

Approvals



Date: _____

EXRL



Specifications

1. Luminaire Cover / External Heat Sink -

Low copper, marine-grade aluminum die cast cover, with shroud for smooth crisp form to reflect and complement the column design. Designed for optimal heat dissipation even in high temperature environments.

2. Gasketing - (not shown) Continuous one piece gaskets made from UV and ozone resistant silicone. Molded gaskets ensure IP65 rating, dust, and insect control throughout the luminaire head.

3. Shielding - Clear, impact resistant, UV stabilized polycarbonate cylinder creates optical chamber, minimum wall thickness 0.118" (3mm). IK10 rated.

4. Column Fitter - Low copper, marine-grade aluminum die-cast fitter, with built-in gasketing ridges, for smooth transition to column.

5. LED Array - High Flux LEDs mounted to metal core PCB and attached to external heat sink for maximum LED performance and life. CCT tolerance within a 3 step bin and provided with a minimum CRI of 80. LED light engine has a reported lumen maintenance of 97.5% at 50,000 hours. L70 calculated greater than 100,000 hours.

6. LED Optics - (not shown) Proprietary technical Optics (R1, R2, R3, R4, R5S and R5R) use Selux signature light pattern acrylic lens holder to secure proprietary silicone optics. Internal micro house side shield available for distributions types I, II, III & IV.

7. LED Driver - LEDs are driven by RoHS compliant constant current programmable LED driver. Driver includes 0-10V dimming to 10%, meets the requirements of IP66. Driver assembly located inside the column and accessible through the upper hand hole.

8. Surge Protector - (not shown) Designed to protect luminaire from electrical surge (20kA).

9. Column Body - 200mm extruded smooth marine-grade aluminium, minimum wall thickness 0.118" (3mm).

10. Access Doors - Upper and lower 4" x 7" (76mm x 178mm) hand holes provided for in-field column assembly and maintenance. Flush cover and stainless steel tamper-resistant hardware included.

Exterior Luminaire Finish - Selux utilizes a high quality Polyester Powder Coating. All Selux luminaires and poles are finished in our Tiger Drylac certified facility and undergo a five stage intensive pretreatment process where product is thoroughly cleaned, phosphated and sealed. Selux powder coated products provide excellent salt and humidity resistance as well as ultraviolet resistance for color retention. All products are tested in accordance with test specifications for coatings from ASTM and PCI.

Standard exterior colors are White (WH), Black (BK), Bronze (BZ), Semi-Matte Black (BL), and Silver (SV). Selux premium colors (SP) are available, please specify from your Selux color selection guide..

5 Year Limited LED Luminaire Warranty - Selux offers a 5 Year Limited Warranty to the original purchaser that the Exelia LED luminaire shall be free from defects in material and workmanship for up to five (5) years from date of shipment. This limited warranty covers the LED driver and LED array when installed and operated according to Selux instructions. For details, see "Selux Terms and Condition of Sale."

Listings and Ratings: Tested to NRTL Wet Location and IESNA LM-79-08 standards. LED tested to LM-80 standards. Luminaire and LED tested at 25°C (77°F) ambient temperature.

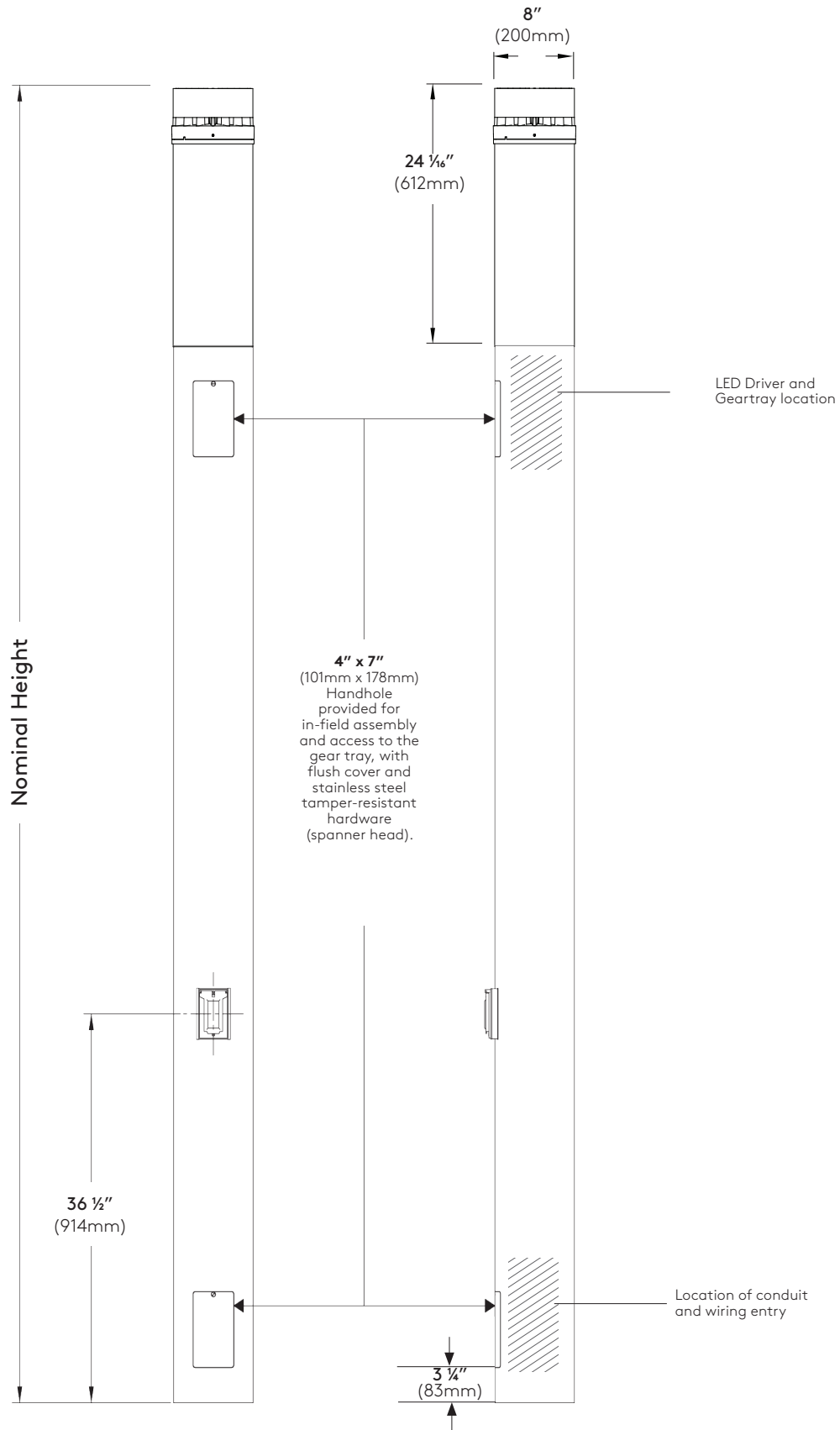
NRTL Listed (i.e. UL, CSA)

Visit selux.us for our LED End of Life recycling policy.

Ambient Temperature Chart (standard)	
Minimum	Maximum
-40° C (-40° F)	45° C (113° F)

Mounting Information
EXRL

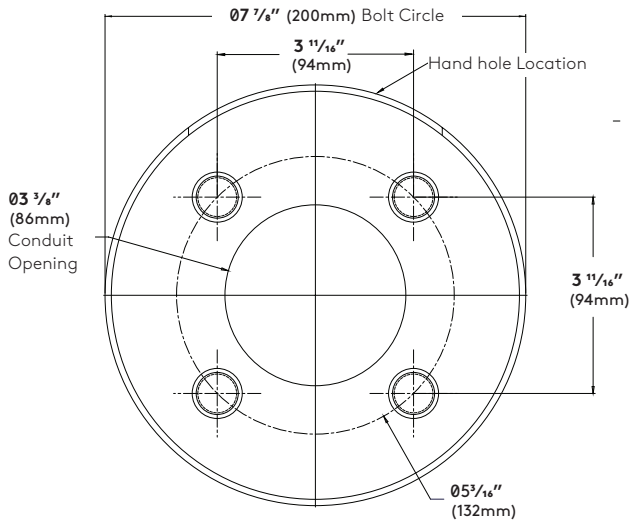
Maximum weight: 80lbs



Mounting Information

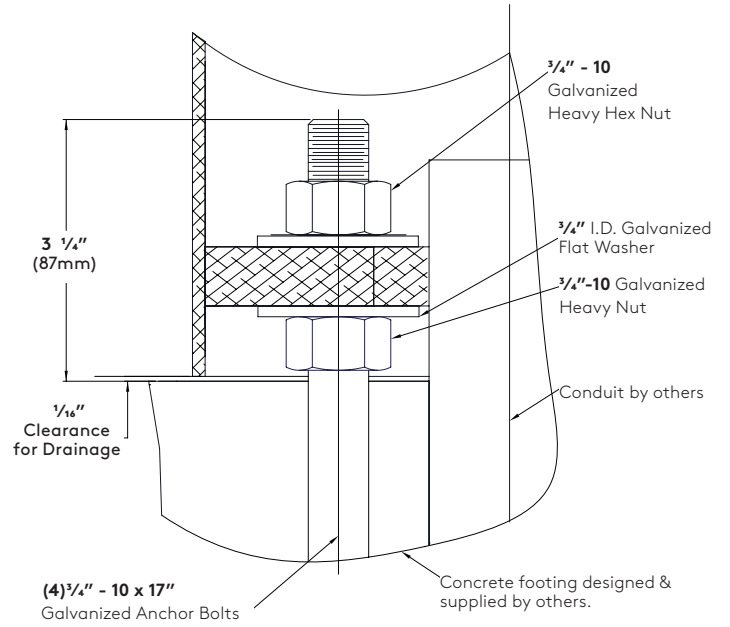
EXRL Anchor Bolt Circle

Use caution when setting anchor bolts. Bolts must be vertically straight and centered on dimensions shown



Note: Adequate drainage must be provided in concrete foundation.

EXRL Anchor Bolt Detail



Round Column Motion Sensor

The Selux outdoor rated sensor incorporates Passive Infrared (PIR) Technology for motion sensing and also includes built-in photocell. Sensor comes pre-installed in cast aluminum housing painted to match column finish.

Series	Hand Hole Orientation	Dim Level	Photocell Feature	Voltage
MS Motion Sensor	00 0° Clockwise from Hand Hole	D0 (Off)	Y Yes	UNV (100-347VAC single phase or 208/230/480VAC phase-to-phase)
	09 90° Clockwise from Hand Hole	D1 (1V=10%)		
	18 180° Clockwise from Hand Hole	D3 (3V=30%)	N No	
	27 270° Clockwise from Hand Hole	D5 (5V=50%)		

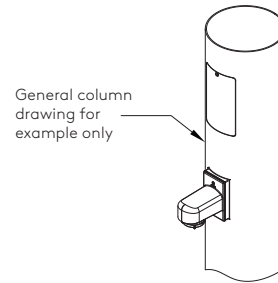
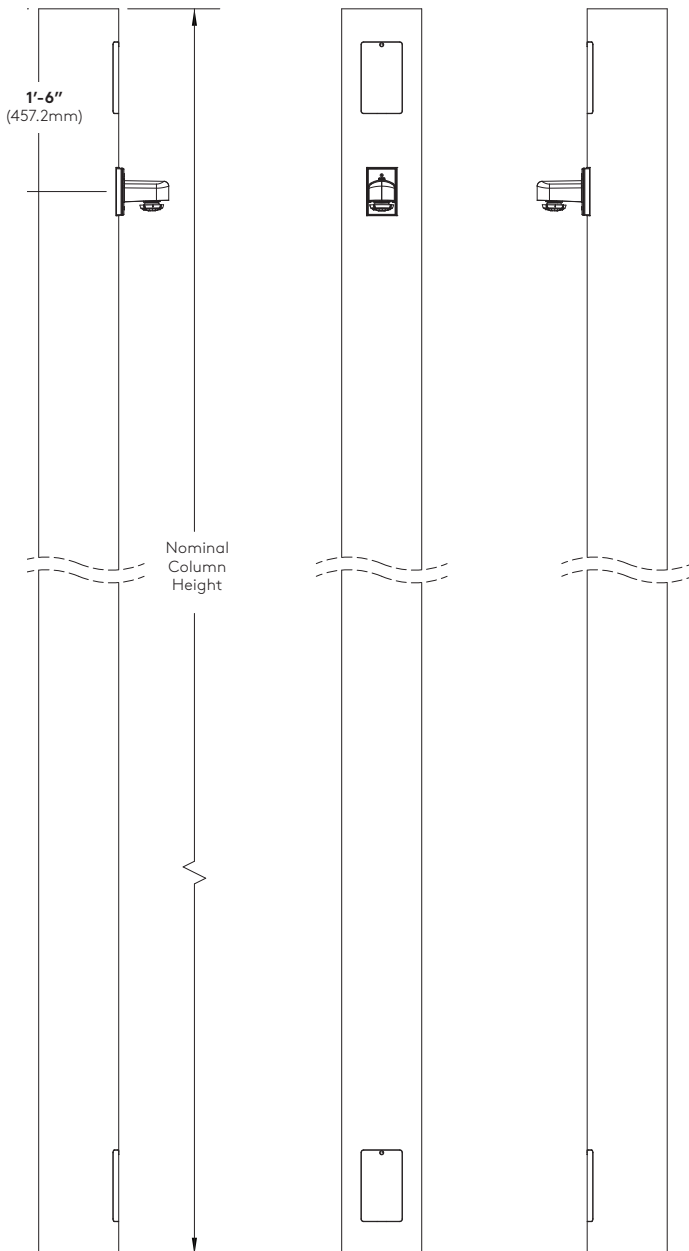
Factory Defaults:

Delay to Dim: 5 minutes

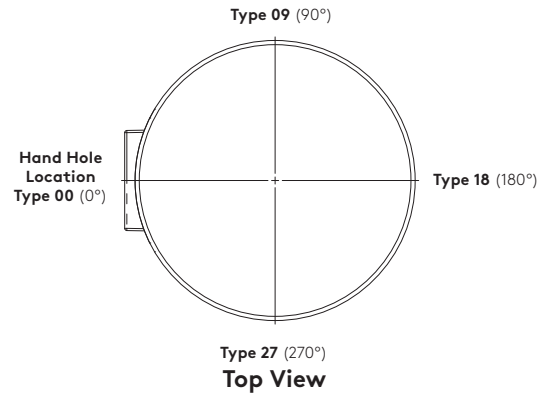
Delay to Off: 1 hour

Sensitivity: Max

Custom Programming: Consult Factory



Sensor angular orientation from hand hole 0° 90° increments clockwise around pole (Type 00, 09, 18, 27)



Motion Sensor Features

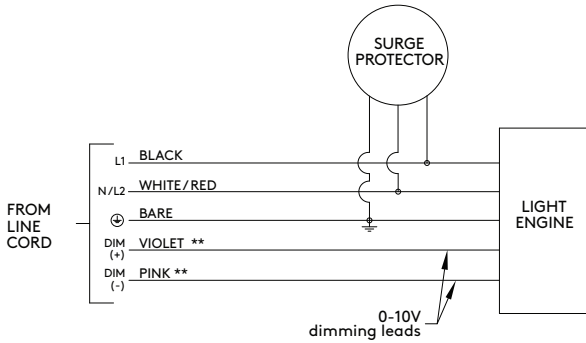
- Customize programming using smartphone application (Refer to the FSP-321 at www.wattstopper.com)
- 5 Year Warranty
- 100% Digital PIR Detection, excellent RF Immunity
- 270° coverage pattern
- IP66 Rated for outdoor applications
- Made for LED light source
- Adjustable time delays, max/min dim levels, and ramp rates
- Suitable for Title 24 applications

(For coverage details refer to wattstopper FSP-321 spec sheet at www.wattstopper.com)

Wiring Diagrams

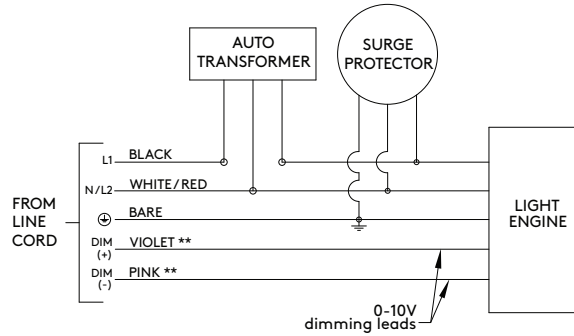
Standard Wiring (120V-277V)

**When dimming is not required cap dimming wires.



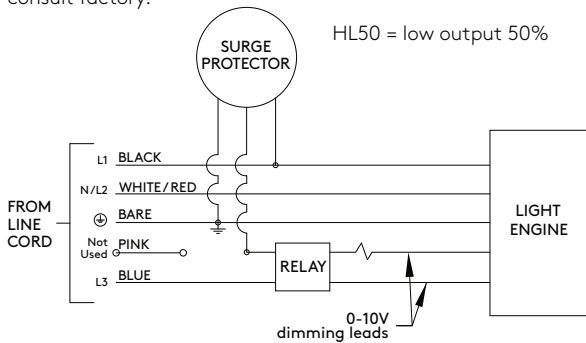
Standard Wiring (347/480V with Step-down Transformer)

**When dimming is not required cap dimming wires.



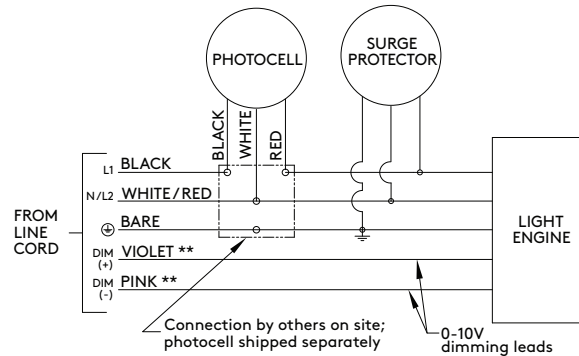
Hi-Lo Switching Option (HL) Wiring HL50 Only

120V, 240V, 277V. When blue is energized, light output will be at "Lo" level. Specify low-level by using the level listed below. For other combinations, consult factory.

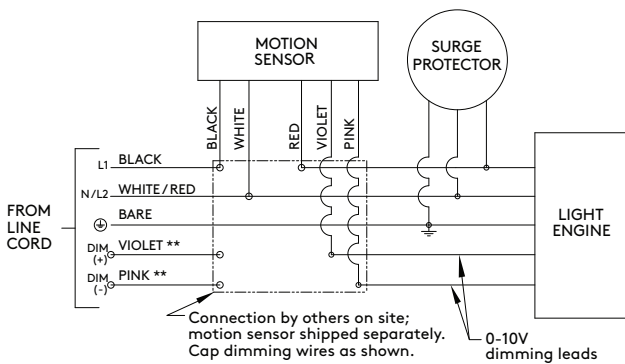


Photocell Option (PCT) Wiring

**When dimming is not required cap dimming wires.



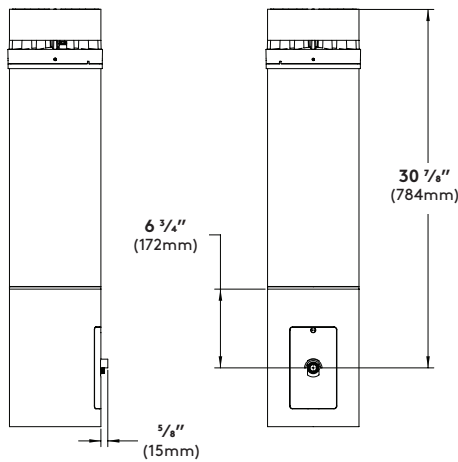
Motion Sensor Option (MS) Wiring (120-480V)



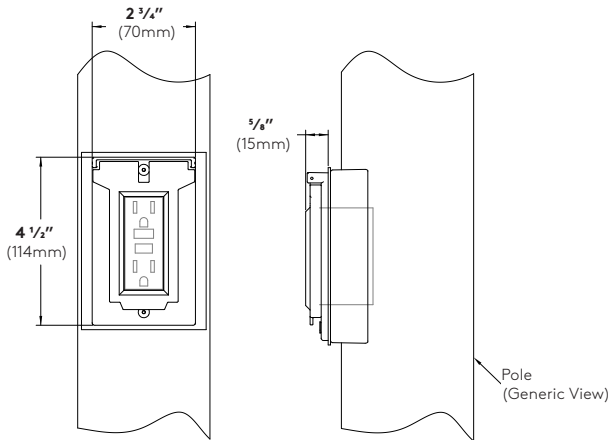
Wire Designation Table		
Source Voltage (VAC)	Wire Color	Wire Designation
120V, 277V, or 347V	Black	L1
	White	Neutral
208V, 240V, or 480V	Black	L1
	Red	L2
UNV (120V-277V)	Black	L1
	White	Neutral (120/277V) or L2 (208/240V)

Optional Accessories

Photo Cell (PC) - Without (MS) Option – Button type photocell mounted in modified upper access door. Photocell option has integrated visor to prevent false start/stop cycle.

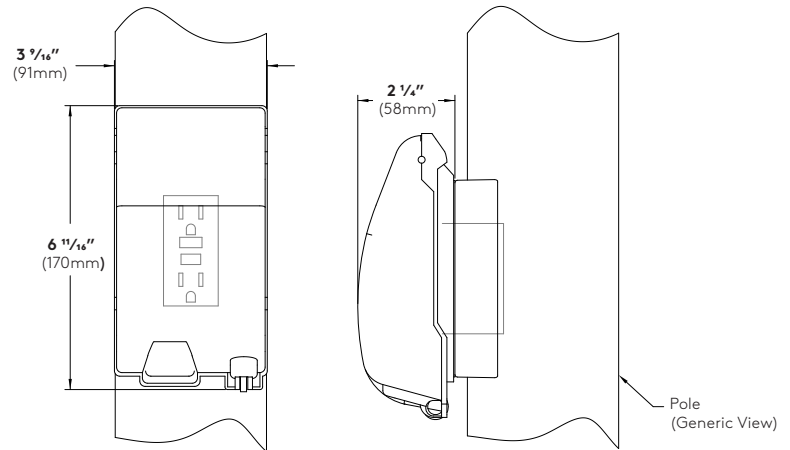


REC and REC3



Cover shown in the closed position

REC2 and REC4



Cover shown in the closed position

GFCI Receptacle (REC) - 120V 15A GFCI duplex receptacle with weatherproof, self-closing cover; located 36" (915mm) o.c. from base of pole, in-line with hand hole. Receptacle is intended only for portable tools or other portable equipment to be connected to outlet only when attended by operating personnel (120V only).

USB & Duplex Receptacle (REC3) (not shown) - 120V 20A duplex receptacle with USB combination ports. (1) type A and (1) type C high power 5A, 5V USB outlets. With weatherproof, self-closing cover; located 36" (915mm) o.c. from base of pole, in-line with hand hole. Receptacle is intended only for portable tools or other portable equipment to be connected to outlet only when attended by operating personnel.

REC3 does not incorporate GFCI (Ground Fault Circuit Interrupter) protection, and shall be powered by a GFCI protected branch circuit (by others).

GFCI Receptacle (REC2) - 120V 15A GFCI duplex receptacle with weatherproof, self-closing, padlockable in-use cover; located 36" (915mm) o.c. from base of pole, in-line with hand hole. Receptacle is intended only for portable tools or other portable equipment to be connected to outlet only when attended by operating personnel (120V only).

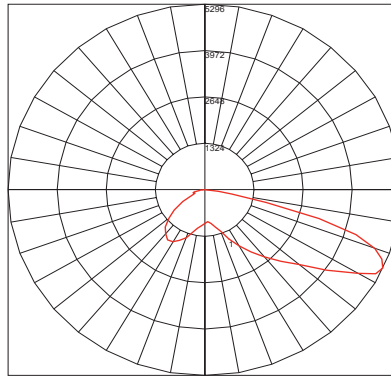
USB & Duplex Receptacle (REC4) (not shown) - 120V 20A duplex receptacle with USB combination ports. (1) type A and (1) type C high power 5A, 5V USB outlets. With weatherproof, self-closing padlockable in-use cover; located 36" (915mm) o.c. from base of pole, in-line with hand hole. Receptacle is intended only for portable tools or other portable equipment to be connected to outlet only when attended by operating personnel.

REC4 does not incorporate GFCI (Ground Fault Circuit Interrupter) protection, and shall be powered by a GFCI protected branch circuit (by others).

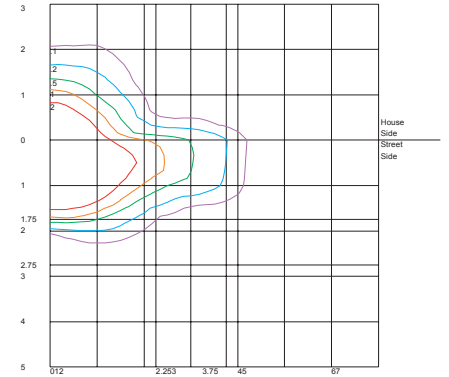
Photometry

EXRL / R1 / 3000K CCT

Catalog #: EXRL-X-R1-5G140-30-XX-UNV
 Delivered Lumens: 9502
 Input Watts: 126.3W
 Efficacy: 75 lm/W
 CRI: 81.7
 Maximum candela: 5295.906 at 65° from vertical.
 IES classification: Type II
 Bug Rating: B2-U0-G2
 Power Factor: 0.996
 Total Harmonic Distortion: 5.50%



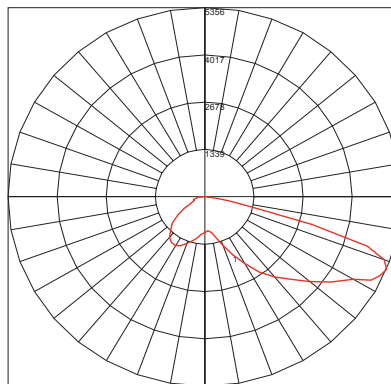
Maximum Candela = 5295.906 Located At Horizontal Angle = 75, Vertical Angle = 65
 # 1 - Vertical Plane Through Horizontal Angles (75 - 255) (Through Max. Cd.)



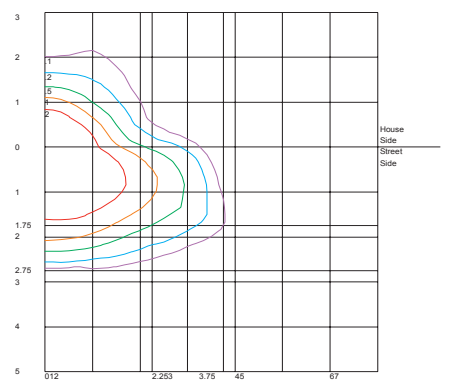
Distance In Units Of Mounting Height
 Values Based On 16 Foot Mounting Height

EXRL / R2 / 3000K CCT

Catalog #: EXRL-X-R2-5G140-30-XX-UNV
 Delivered Lumens: 9502
 Input Watts: 126.6W
 Efficacy: 75 lm/W
 CRI: 81.7
 Maximum candela: 5356.06 at 67.5° from vertical.
 IES classification: Type III
 Bug Rating: B2-U0-G3
 Power Factor: 0.996
 Total Harmonic Distortion: 5.50%



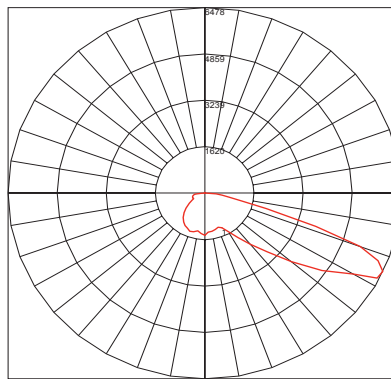
Maximum Candela = 5356.06 Located At Horizontal Angle = 65, Vertical Angle = 67.5
 # 1 - Vertical Plane Through Horizontal Angles (65 - 245) (Through Max. Cd.)



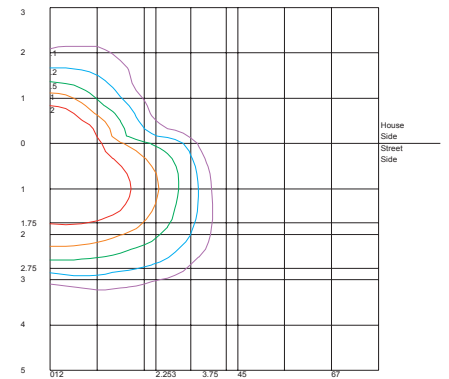
Distance In Units Of Mounting Height
 Values Based On 16 Foot Mounting Height

EXRL / R3 / 3000K CCT

Catalog #: EXRL-X-R3-5G140-30-XX-UNV
 Delivered Lumens: 9502
 Input Watts: 126.3W
 Efficacy: 75 lm/W
 CRI: 81.7
 Maximum candela: 6478.105 at 65° from vertical.
 IES classification: Type III
 Bug Rating: B2-U0-G2
 Power Factor: 0.996
 Total Harmonic Distortion: 5.50%



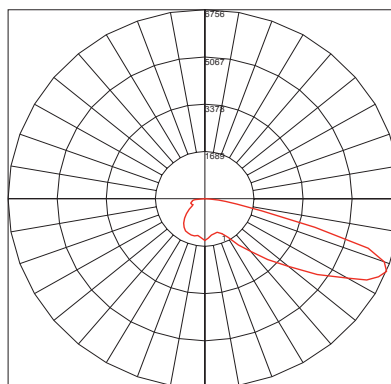
Maximum Candela = 6478.105 Located At Horizontal Angle = 45, Vertical Angle = 65
 # 1 - Vertical Plane Through Horizontal Angles (45 - 225) (Through Max. Cd.)



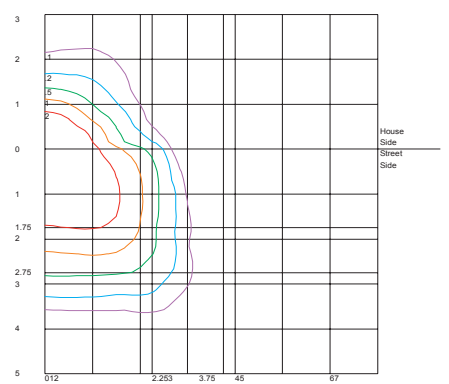
Distance In Units Of Mounting Height
 Values Based On 16 Foot Mounting Height

EXRL / R4 / 3000K CCT

Catalog #: EXRL-X-R4-5G140-30-XX-UNV
 Delivered Lumens: 9502
 Input Watts: 126.3W
 Efficacy: 75 lm/W
 CRI: 81.7
 Maximum candela: 6755.814 at 67.5° from vertical.
 IES classification: Type IV
 Bug Rating: B2-U0-G2
 Power Factor: 0.996
 Total Harmonic Distortion: 5.50%



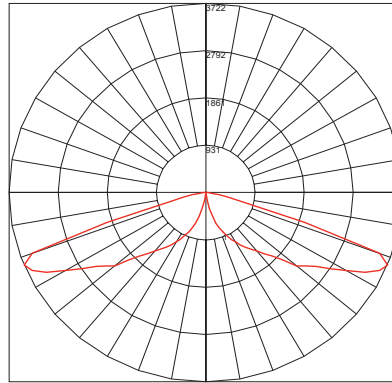
Maximum Candela = 6755.814 Located At Horizontal Angle = 35, Vertical Angle = 67.5
 # 1 - Vertical Plane Through Horizontal Angles (35 - 215) (Through Max. Cd.)



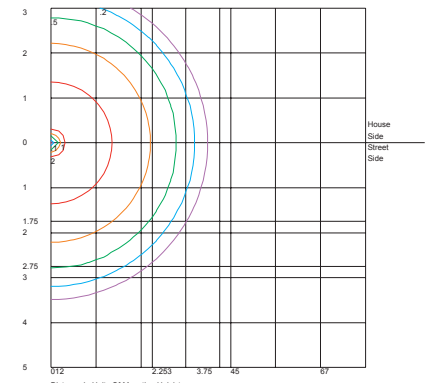
Distance In Units Of Mounting Height
 Values Based On 16 Foot Mounting Height

Photometry

EXRL / R5R / 3000K CCT
 Catalog #: EXRL-X-R5R-5G140-30-XX-UNV
 Delivered Lumens: 10032
 Input Watts: 126.3W
 Efficacy: 79 lm/W
 CRI: 81.7
 Maximum candela: 3722 at 67.5° from vertical.
 IES classification: Type V
 Bug rating: B3-U0-G2
 Power Factor: 0.996
 Total Harmonic Distortion: 5.50%

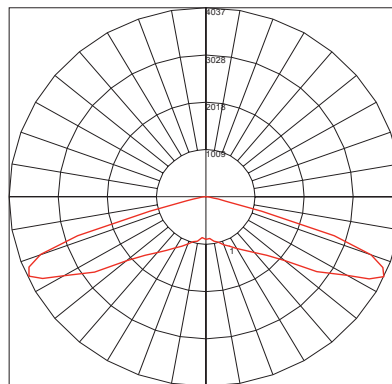


Maximum Candela = 3722.3 Located At Horizontal Angle = 0, Vertical Angle = 67.5
 # 1 - Vertical Plane Through Horizontal Angles (0 - 180) (Through Max. Cd.)

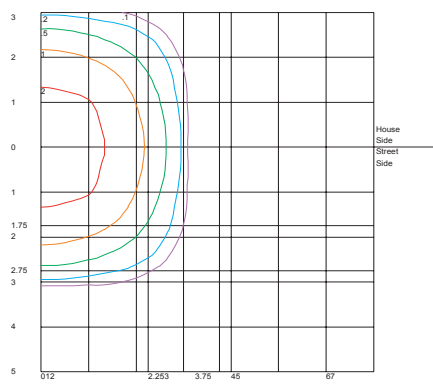


Distance In Units Of Mounting Height
 Values Based On 16 Foot Mounting Height

EXRL / R5S / 3000K CCT
 Catalog #: EXRL-X-R5S-5G140-30-XX-UNV
 Delivered Lumens: 10032
 Input Watts: 126.3W
 Efficacy: 79 lm/W
 CRI: 81.7
 Maximum candela: 4036.873 at 65° from vertical.
 IES classification: Type VS
 Bug Rating: B3-U0-G2
 Power Factor: 0.996
 Total Harmonic Distortion: 5.50%



Maximum Candela = 4036.873 Located At Horizontal Angle = 45, Vertical Angle = 65
 # 1 - Vertical Plane Through Horizontal Angles (45 - 225) (Through Max. Cd.)



Distance In Units Of Mounting Height
 Values Based On 16 Foot Mounting Height