



**GASTROPARTS**

# Faema

- [EN]** Coffee machines & grinders
- [DE]** Kaffeemaschinen & Kaffeemühlen
- [ES]** Cafeteras & Molinillos de café
- [FR]** Cafetières & moulins à café
- [IT]** Macchine da caffè & macinacaffè
- [PL]** Ekspresy i młynki do kawy
- [RU]** Кофеварки и кофемолки

✉ [gastroparts@gastroparts.com](mailto:gastroparts@gastroparts.com)

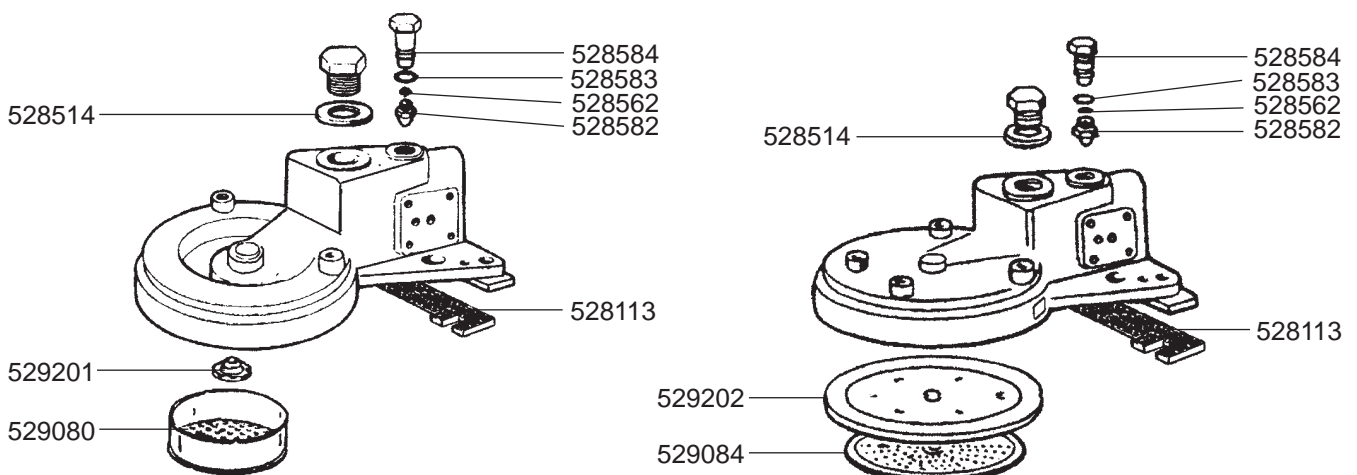
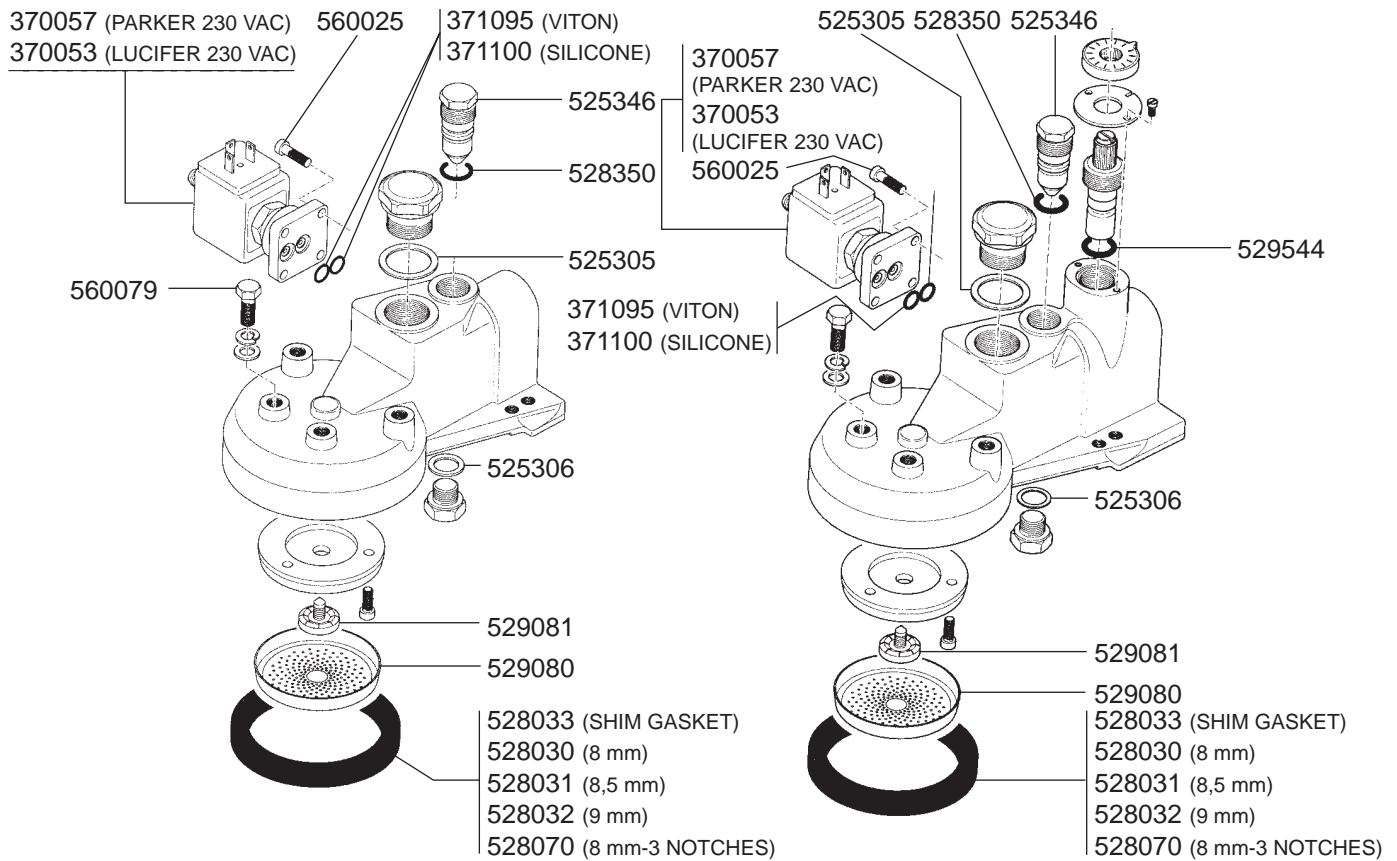
☎ +48 56 657 00 66

📘 [fb.com/gastroparts.global](https://fb.com/gastroparts.global)

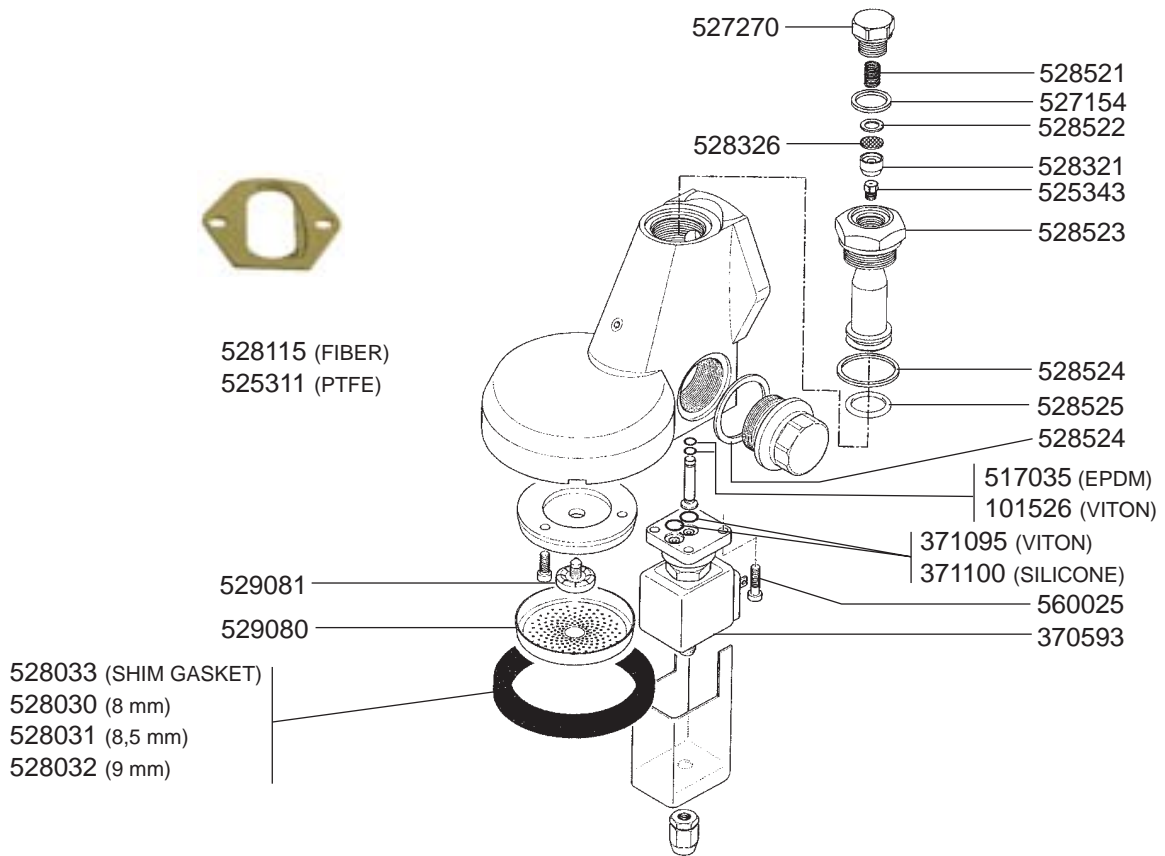
**GASTROPARTS.COM**



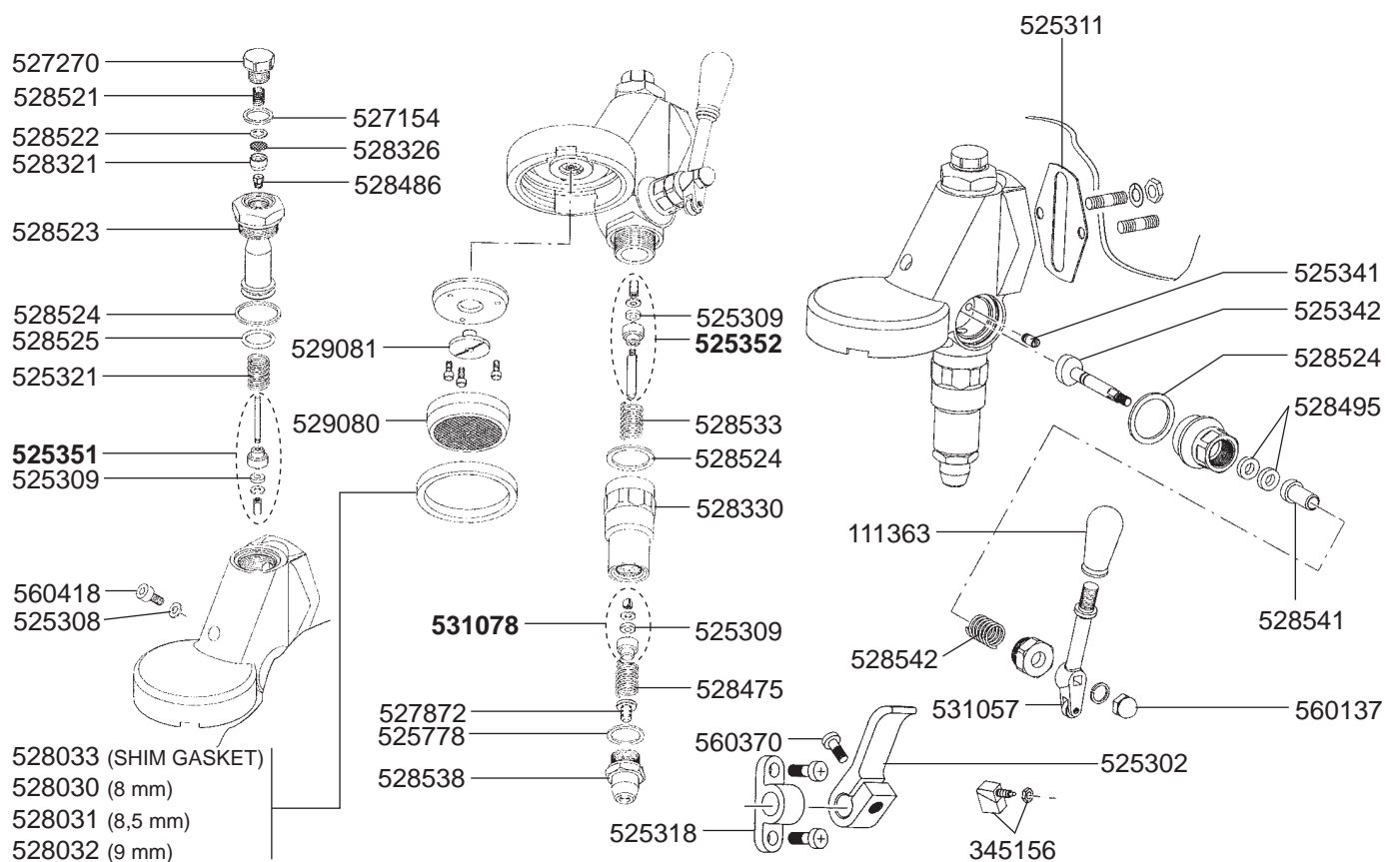
## SOLENOID GROUPS



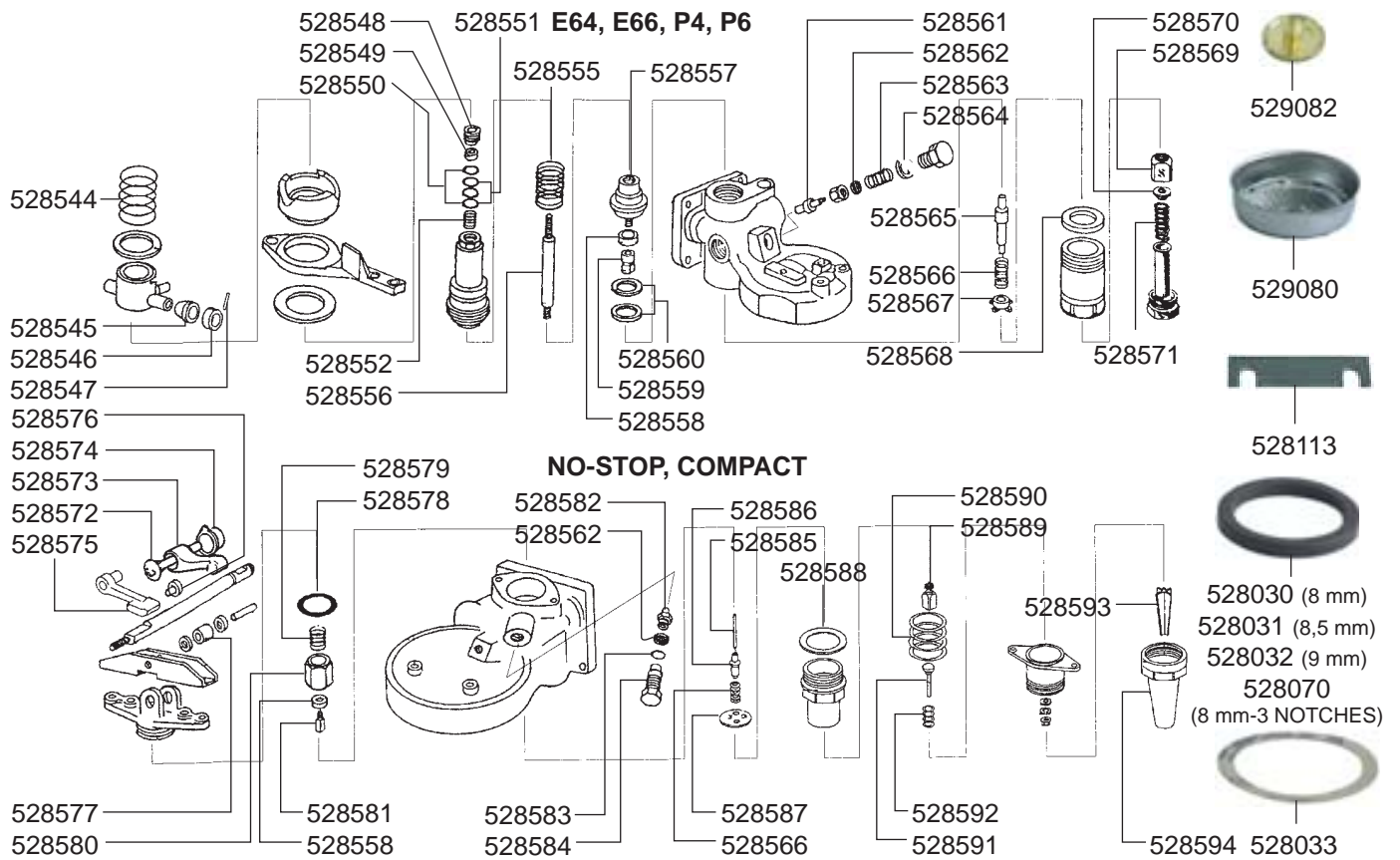
## SOLENOID GROUPS



## MANUAL GROUP



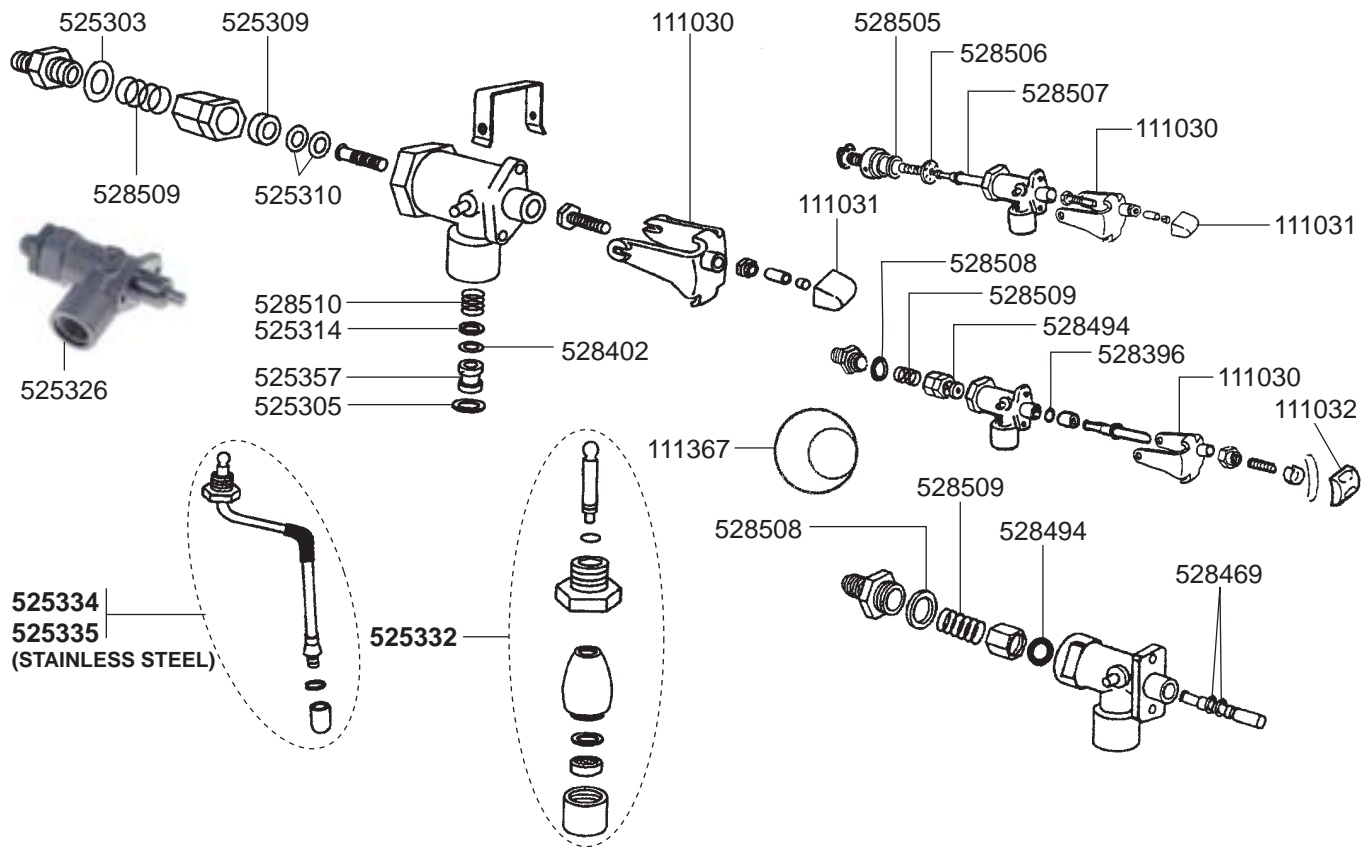
## MANUAL GROUP



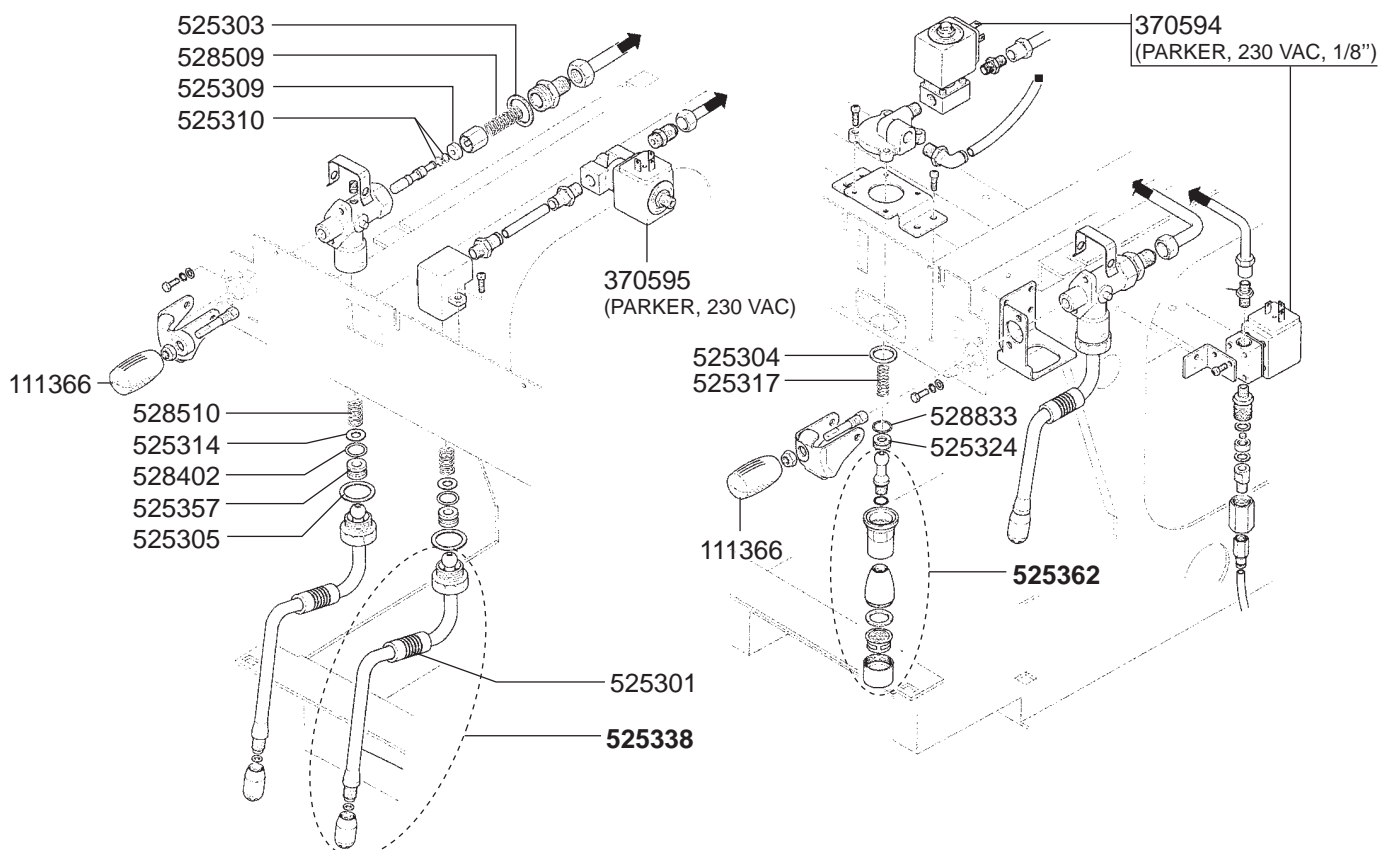
## FILTER HOLDERS



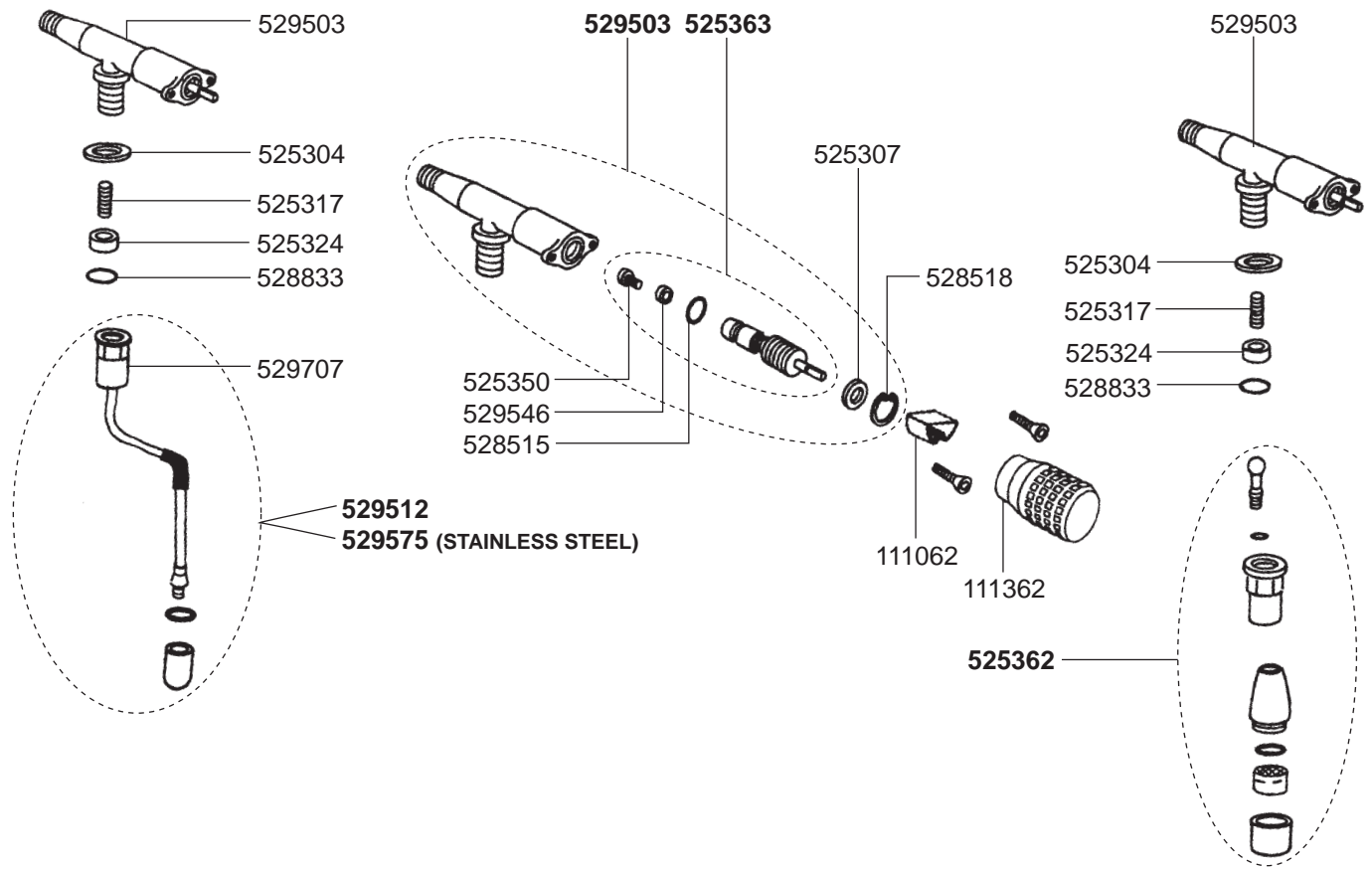
## STEAM/WATER TAPS E91/DUE/DIPLOMAT



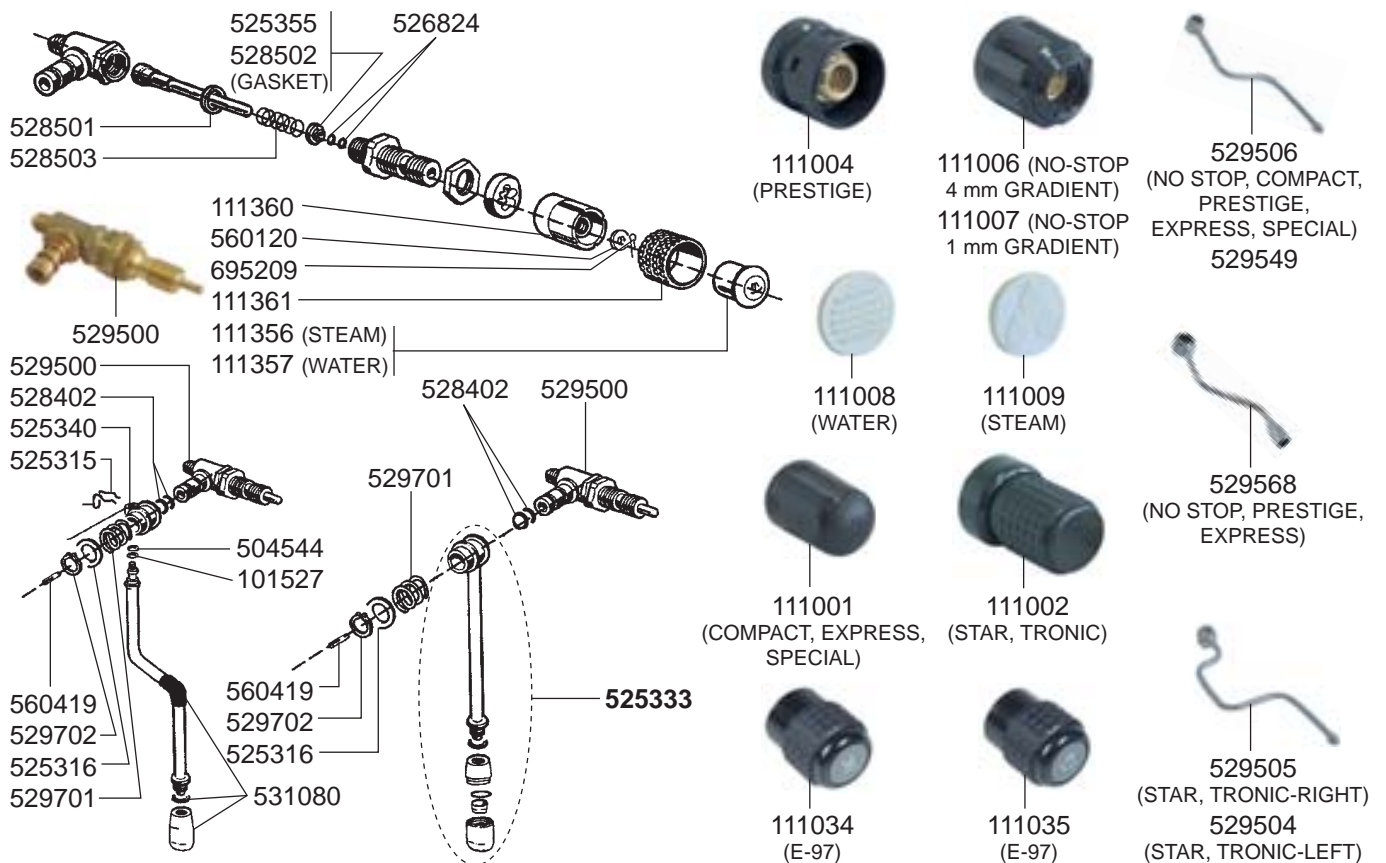
## STEAM/WATER TAPS E92 ELITE A/S - E92 RESTYLING A/S



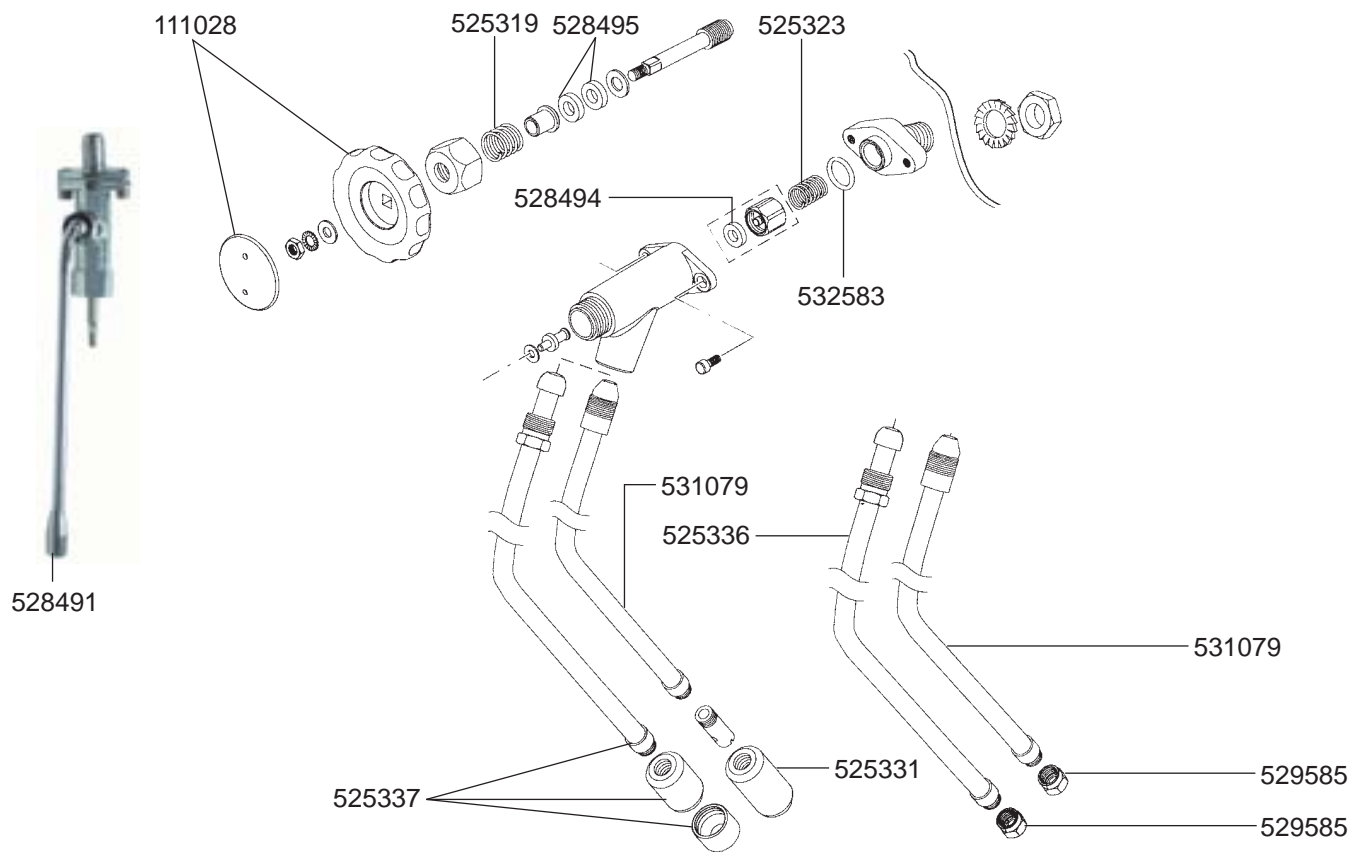
## STEAM/WATER TAPS E98 PRESIDENT A/S



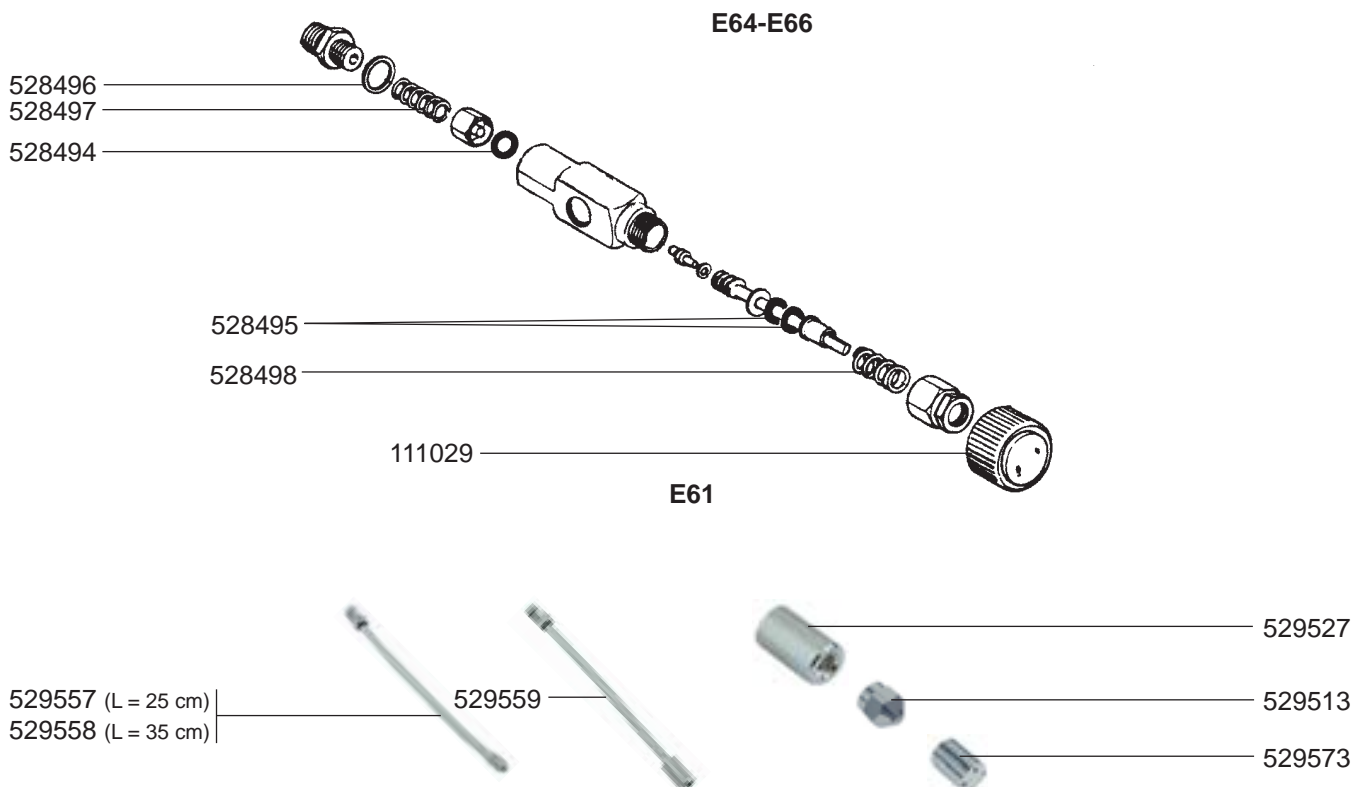
## STEAM/WATER TAPS E98 A/S - NO STOP - COMPACT - PRESTIGE - EXPRESS - SPECIAL



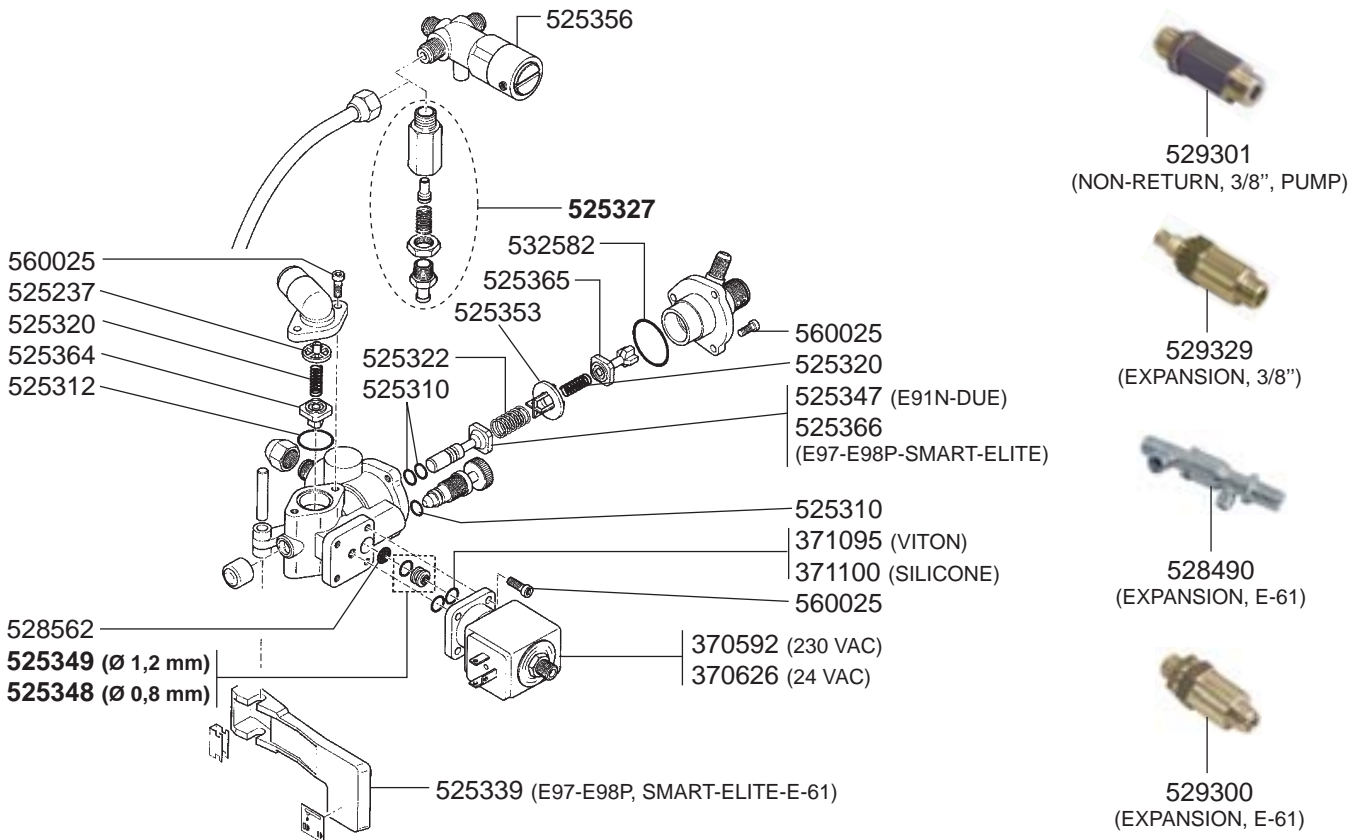
STEAM/WATER TAPS E61



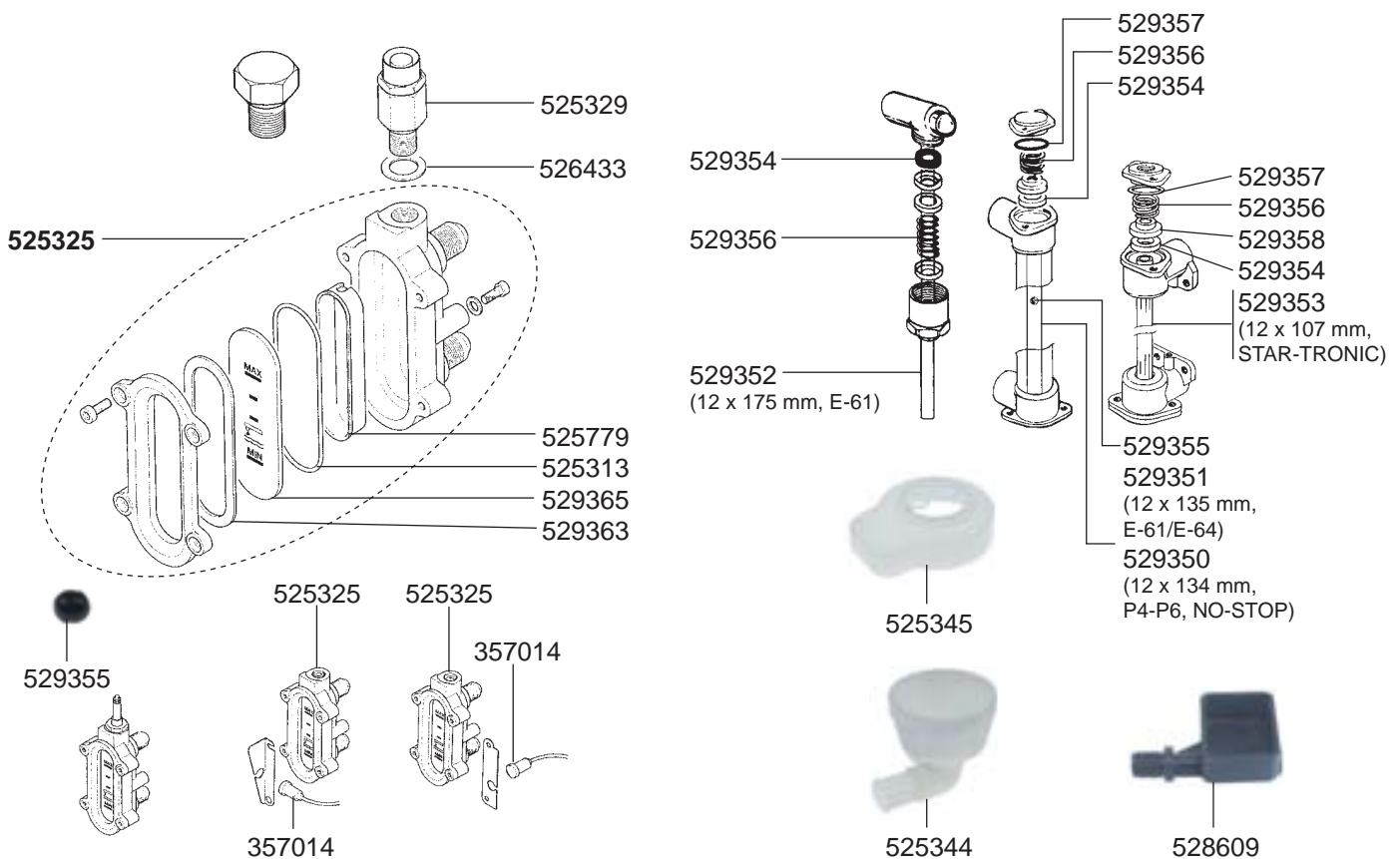
STEAM/WATER TAPS E64-E66-E61



## VALVES



## LEVEL INDICATOR/DRIP TRAYS





## MANOMETERS



541200  
(0-3 BAR, E-61)



541201  
(0-16 BAR, E-61)



541202  
(E-64, E-66)



541203  
(NO-STOP, P4, P6, DUE,  
SPECIAL, EXPRESS, STAR,  
SMART, E-98P, E-97)



541207  
(0-15 BAR,  
SUPERTRONIC)



541205  
(0-2,5 BAR, E-91, E-92)



541206  
(0-16 BAR, E-91, E-92)

## BOILER VARIOUS



417002 (1 GR-230 VAC-1500 W)  
417003 (1 GR-230 VAC-1800 W)



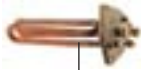
417202 (2 GR-230/400 VAC-3750 W)  
417112 (2-3 GR-230/400 VAC-4500 W)



417107 (1 GR-230 VAC-2600 W)  
417001 (2 GR-230 VAC-2600 W)  
417108 (2 GR-230 VAC-3500 W)  
417109 (3 GR-230 VAC-3700 W)  
417110 (3 GR-230 VAC-5000 W)



528022 (PTFE)



417083  
(1 GR-230 VAC-1500 W COMPACT-A)



390166



528488 (FIBER)



417004  
(1-2 GR-230 VAC-2400 W COMPACT)



417103 (2 GR-230 VAC-2600 W)  
417104 (2 GR-230 VAC-3700 W)  
417106 (3 GR-230 VAC-5000 W)



528488 (FIBER)



528022 (PTFE)



525652



390154



550006



550350



550351

# FAEMA – ESPRESSO MACHINES

1  
ESPRESSO MACHINES

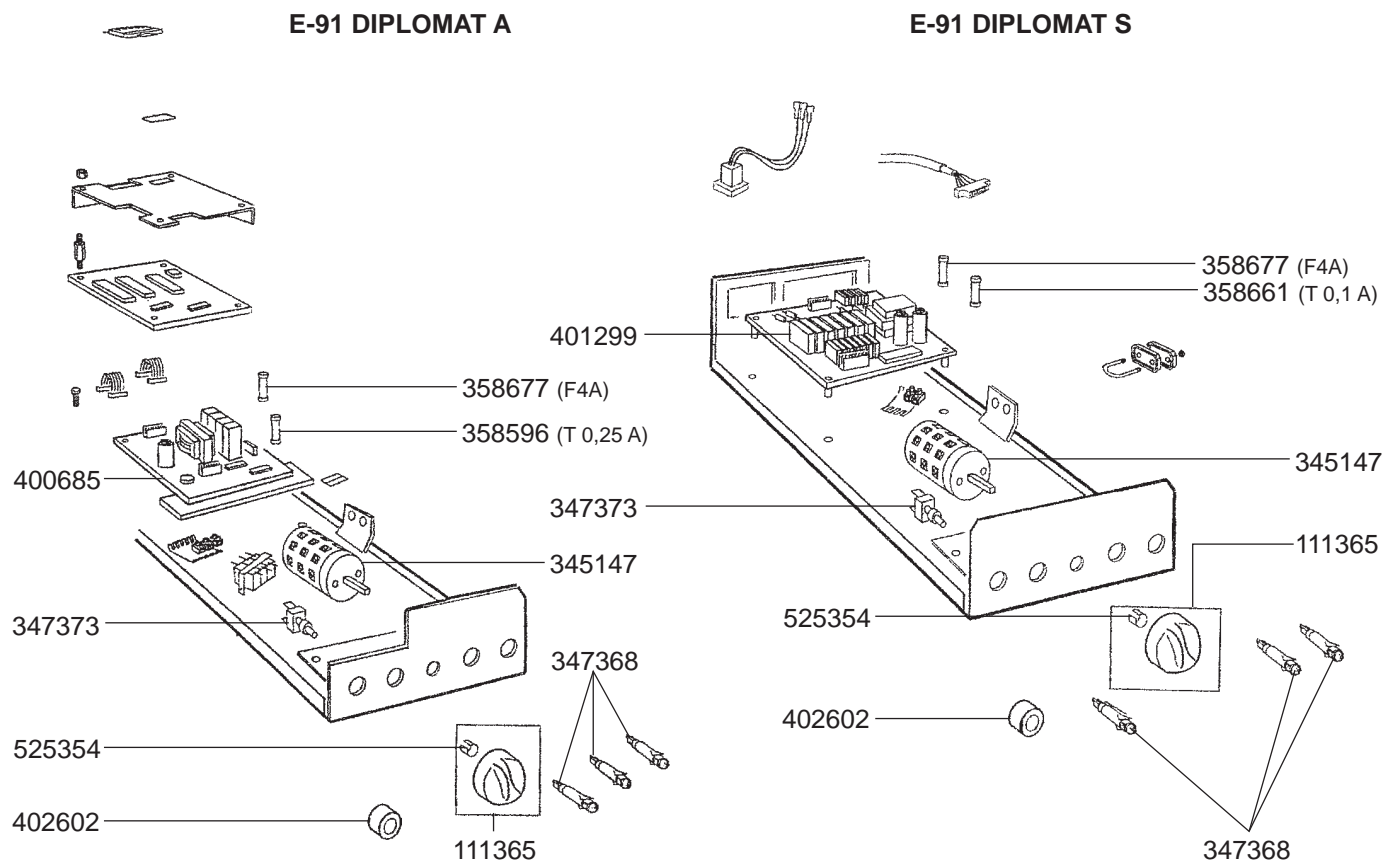
## BOILER VARIOUS

417113 (1000 W, 230 VAC, FAMILY)  
417114 (1000 W, 230 VAC, AMICA)  
417115 (850 W, 230 VAC, CIAO)  
528849 (HEATING ELEMENT)  
528232 (POT GASKET)  
528100 (NO-STOP, PRESTIGE)  
528103 (16 HOLES, E-61, ARIETE)  
528104 (16 HOLES, E-61, ARIETE)  
528108 (12 HOLES, E-61, ARIETE)  
528107 (12 HOLES, E-61, ARIETE)  
528109 (12 HOLES, E-61, ARIETE)  
528111 (12 HOLES, E-61, ARIETE)  
528106 (16 HOLES, E-61, ARIETE)  
528112 (12 HOLES, E-61, ARIETE)  
400082 (NTC)  
528847  
529360 (1/2")  
400083  
400032 (TRIAC)  
390152 (M-4, 107 °C, COFFEE)  
390153 (M-4, 135 °C, STEAM)  
390370 (M-4, 145 °C, SAFETY)  
529312 (3/8")  
529316 (3/8")  
529303 (1/4")  
529304 (1/4")  
529349 (3/8")  
529361 (1/4")  
400020 (L = 150 mm)

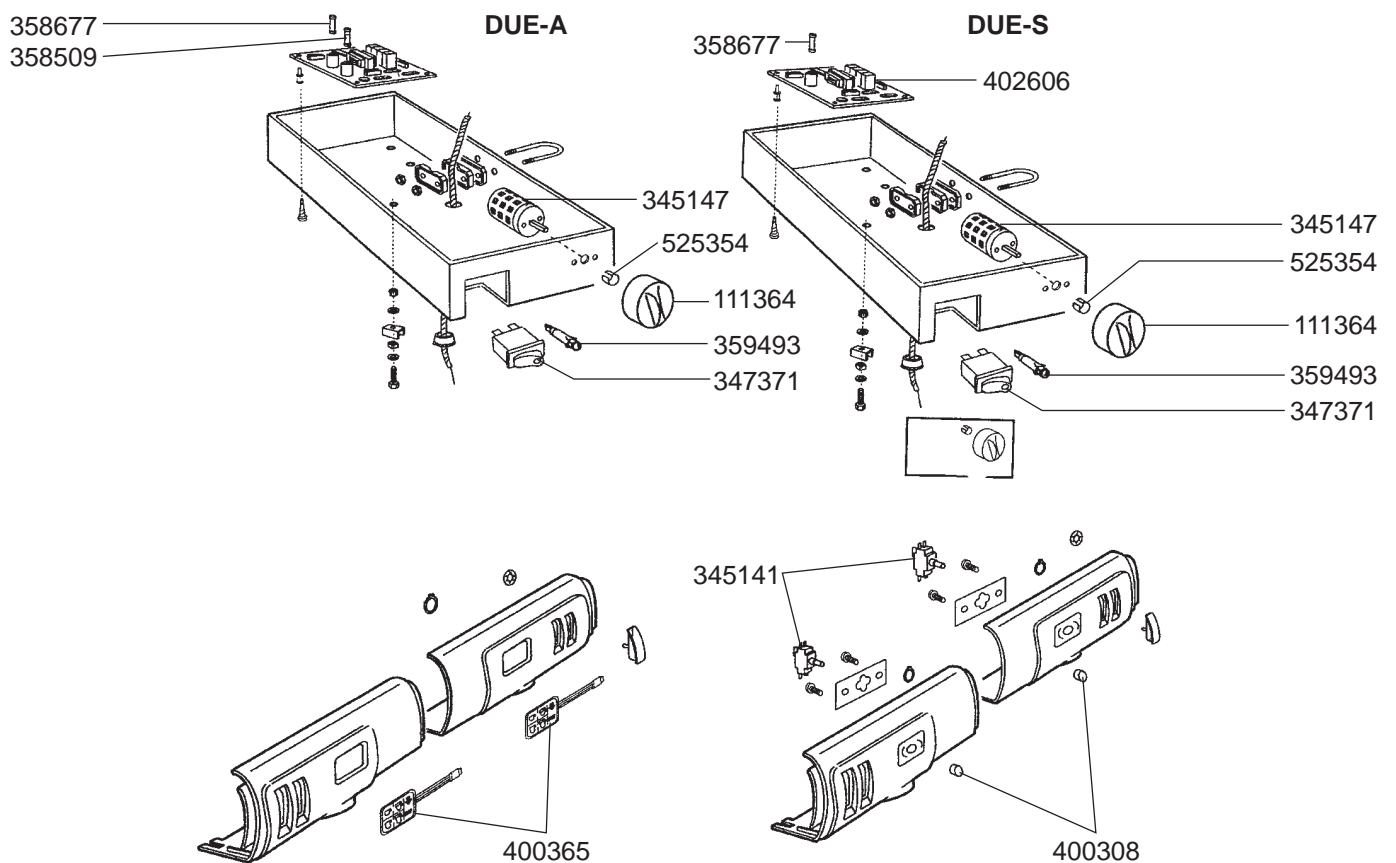
## ELECTRICAL COMPONENTS E91

400570  
400307  
400300  
400303  
400582  
400574  
400570  
400302  
400575  
400305  
400307  
400302  
400301  
400585 (3301-135184)  
400581  
400582  
400304  
400305  
400582

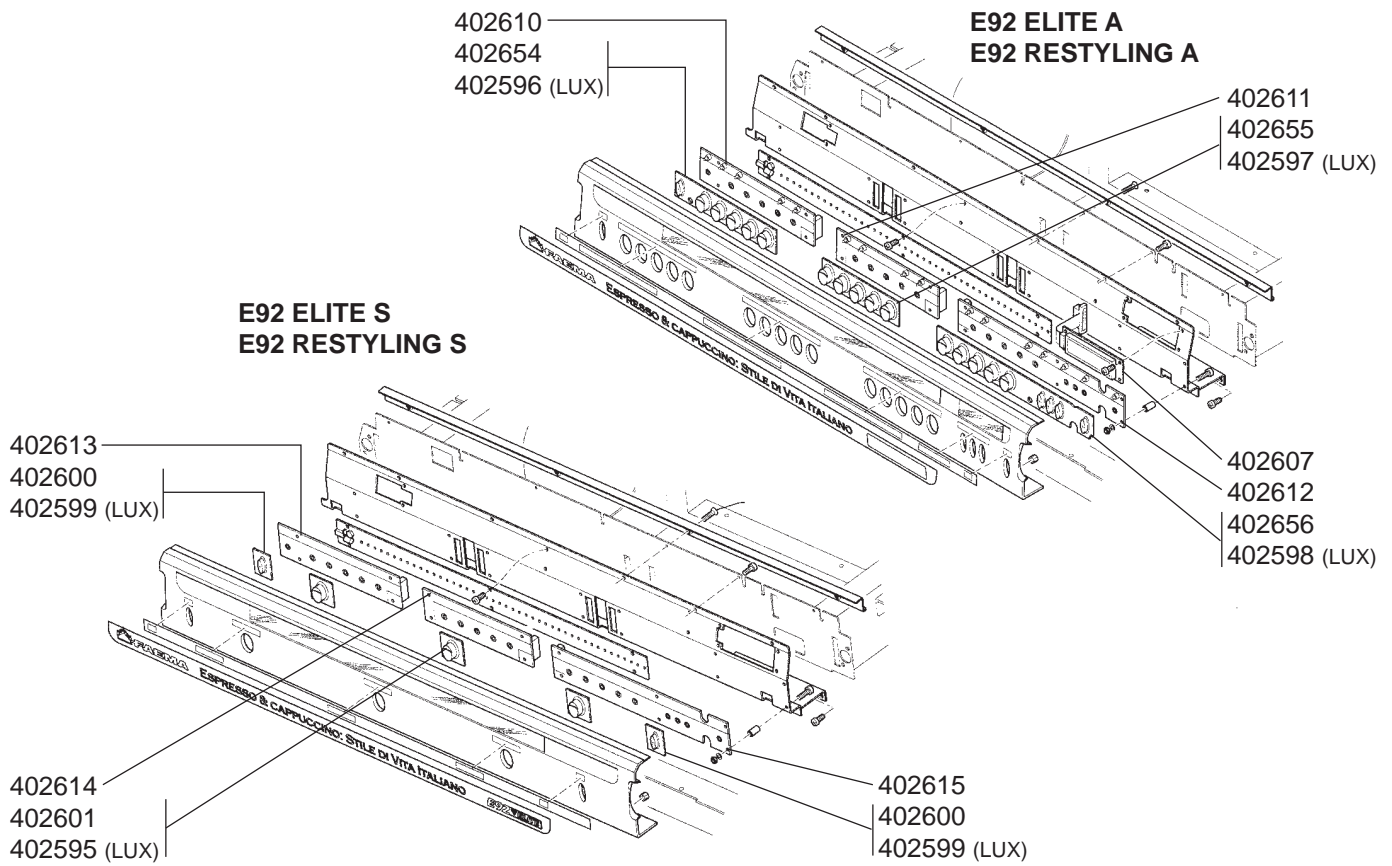
## ELECTRICAL COMPONENTS E91



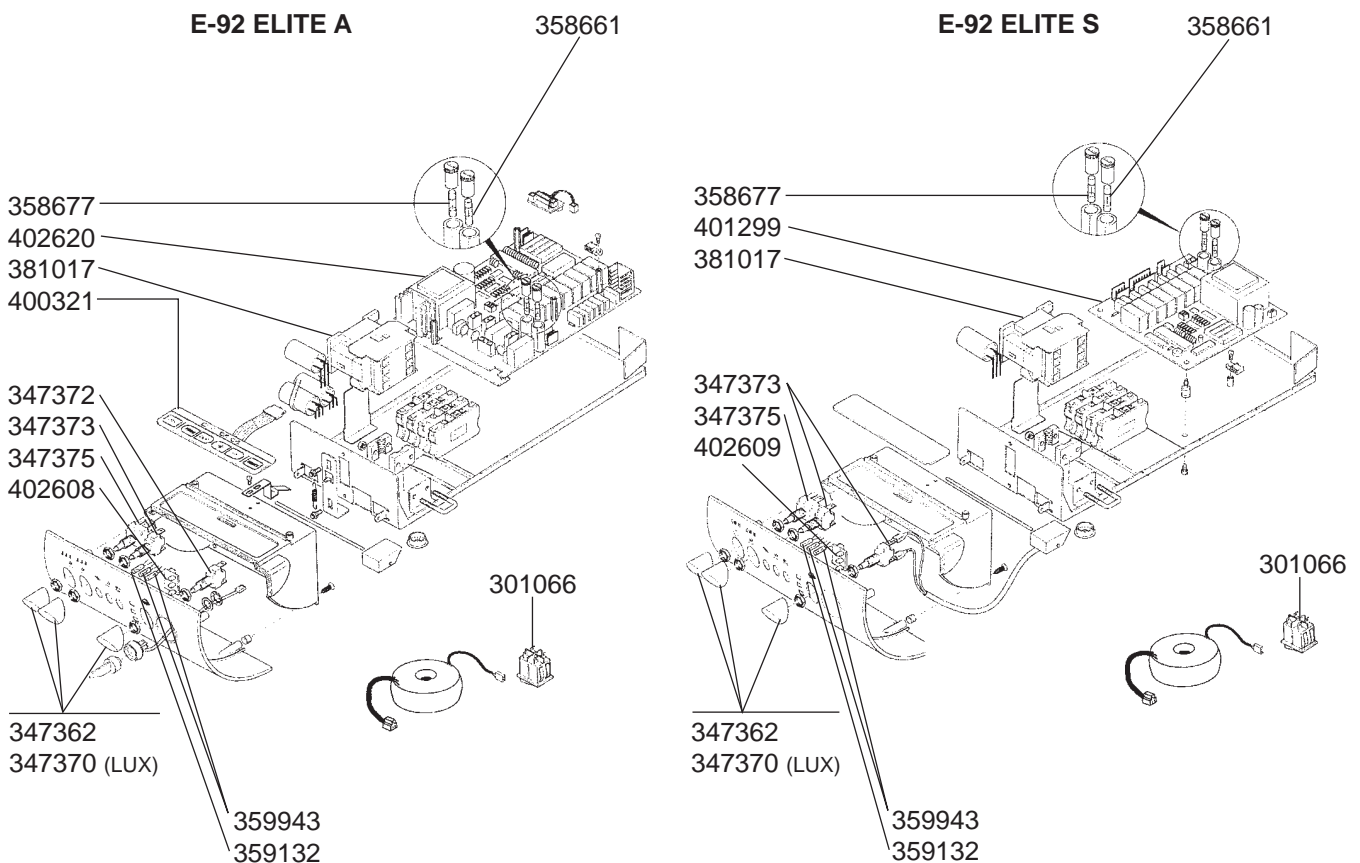
## ELECTRICAL COMPONENTS DUE A/S



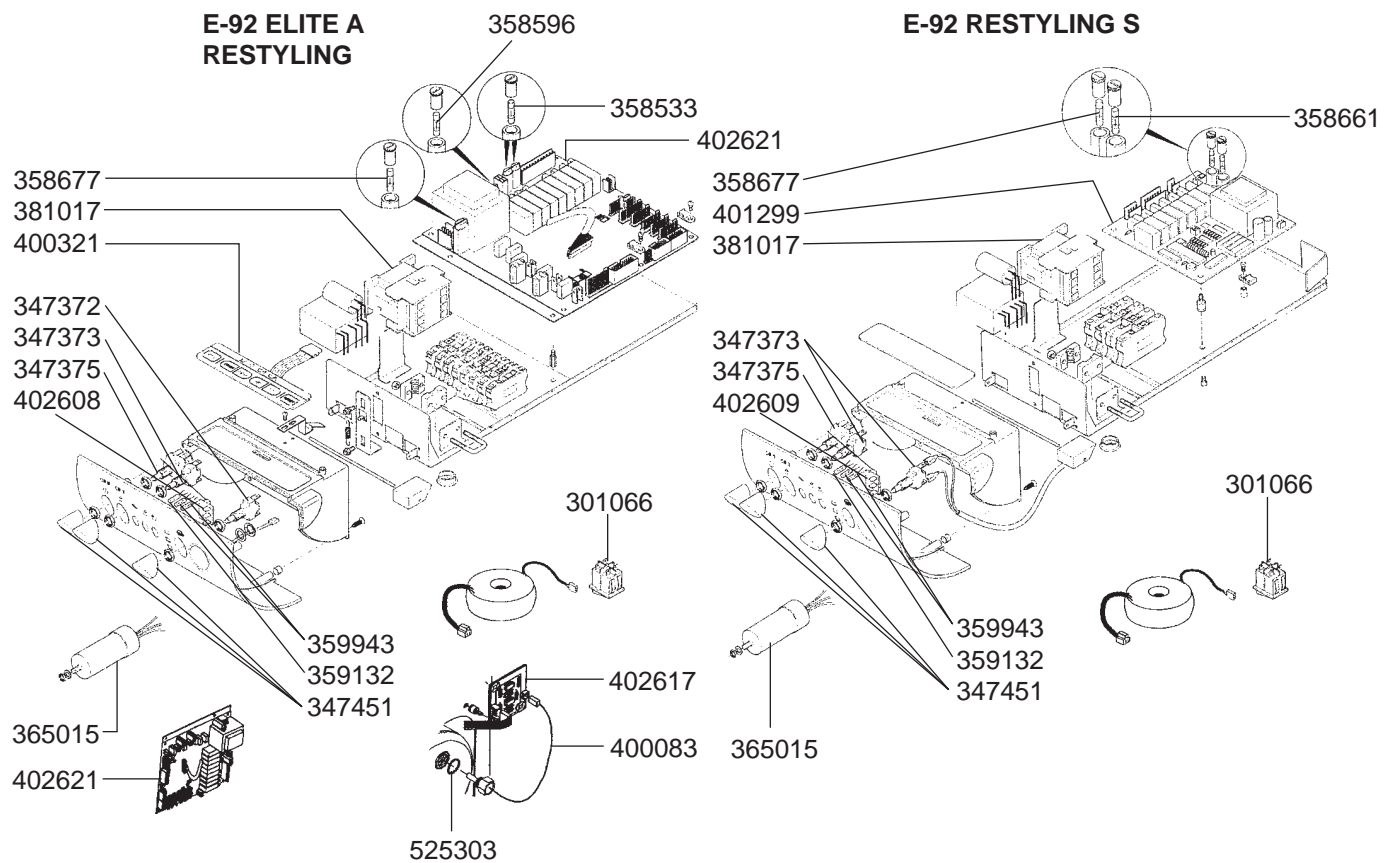
## ELECTRICAL COMPONENTS E92



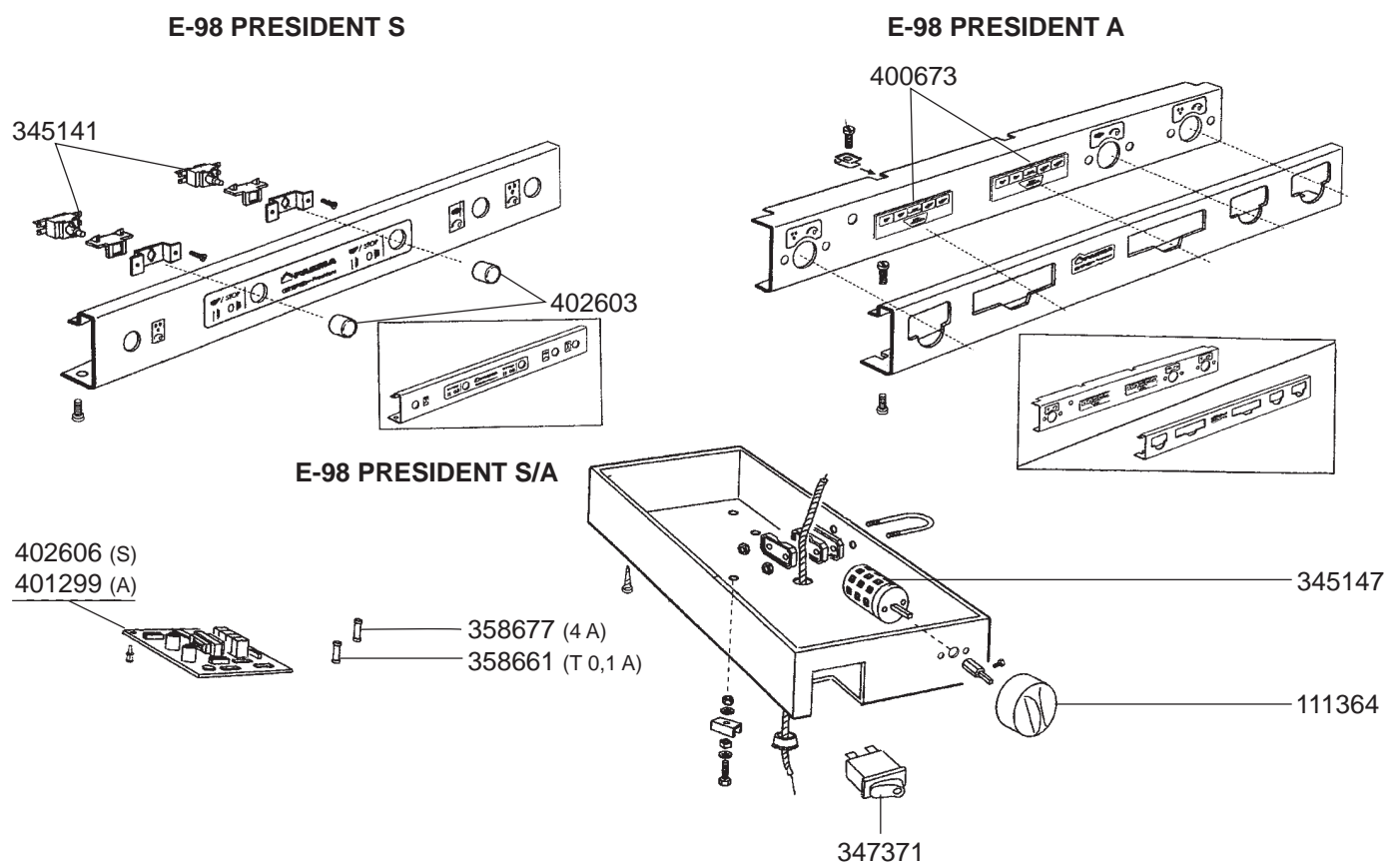
## ELECTRICAL COMPONENTS E92



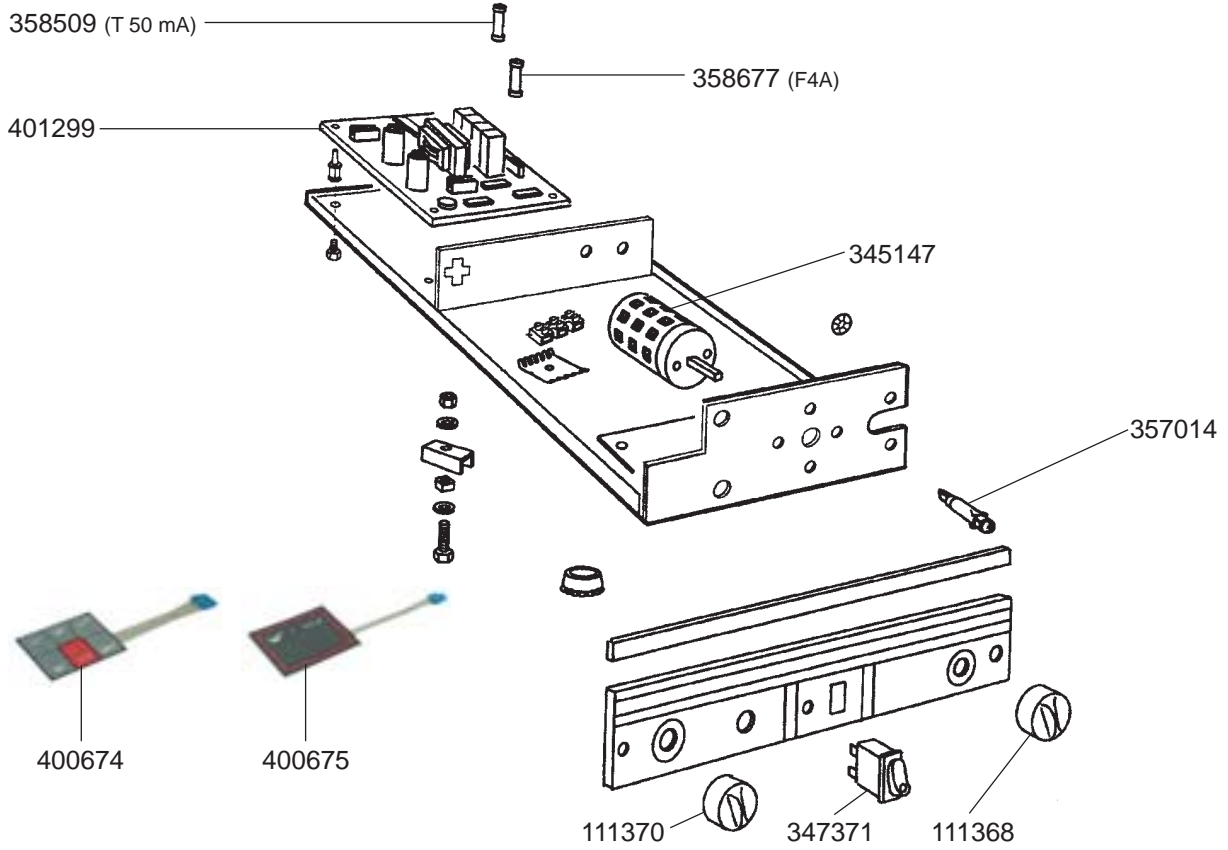
## ELECTRICAL COMPONENTS E92



## ELECTRICAL COMPONENTS E98



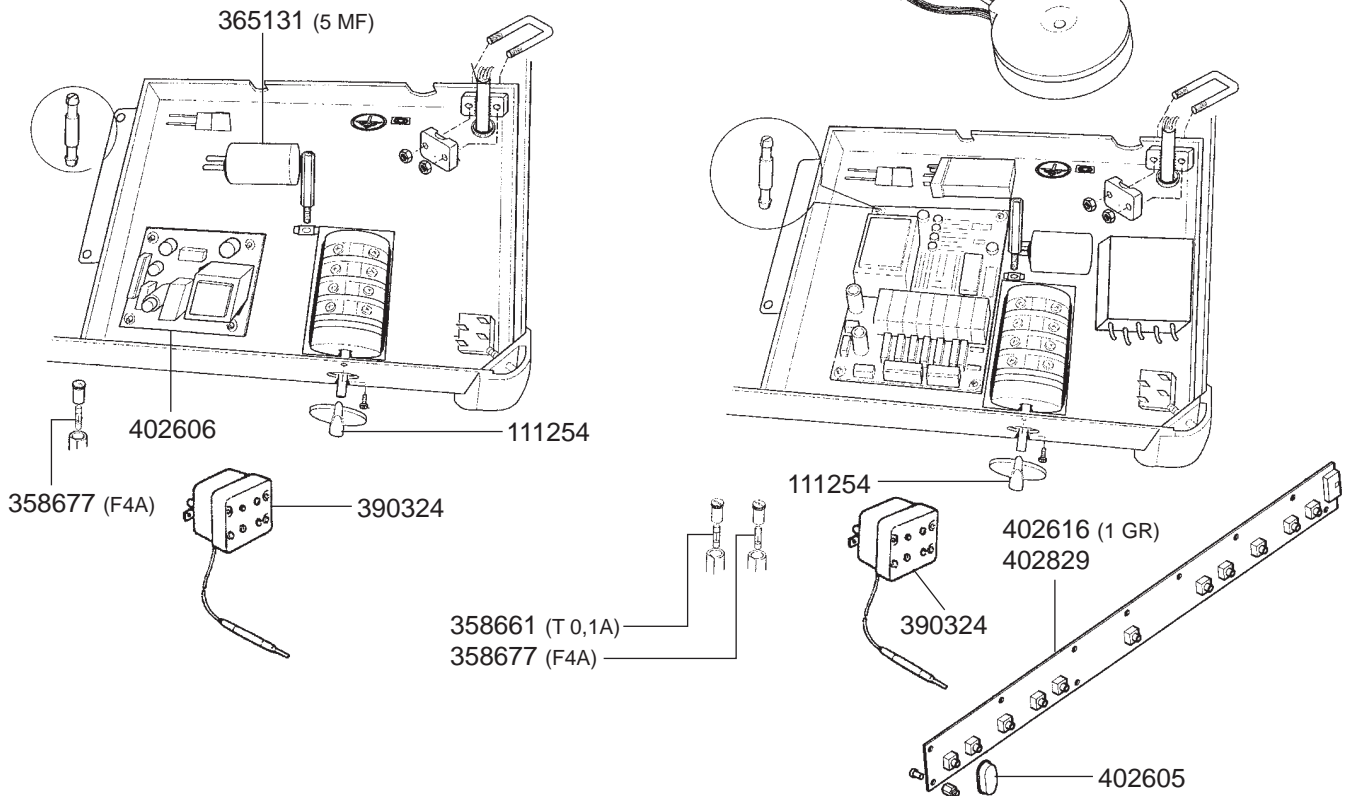
## ELECTRICAL COMPONENTS E97 A/S



## ELECTRICAL COMPONENTS E61

**E-61 LEGEND**

**E-61 JUBILE**



## ELECTRICAL COMPONENTS VARIOUS



400004  
(GICAR, 1/4")



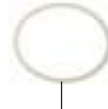
400005  
(DIGMESA, 1/4")



400256



400257 (GICAR)  
400259 (DIGMESA)



400258



541021  
(SIRAI, 30 AMP,  
3 POLES)



541724  
(SIRAI, 20 AMP,  
3 POLES)



541723  
(SIRAI, 20 AMP,  
2 POLES)



541453  
(PARKER)



370057 (PARKER, 230 VAC)  
370058 (PARKER, 24 VDC)  
370053 (LUCIFER, 230 VAC)  
370051 (LUCIFER, 24 VDC)



370059  
(PARKER,  
230 VAC, 1/4")  
370223  
(LUCIFER,  
230 VAC, 1/4")



370206 (PARKER, 230 VAC, 1/8")  
370067 (PARKER, 230 VAC, 1/4")  
370072 (LUCIFER, 230 VAC, 1/8")  
370088 (LUCIFER, 230 VAC, 1/4")



370062  
(PARKER)  
370061  
(LUCIFER)



371029 (PARKER, 230 VAC)  
371030 (PARKER, 24 VDC)  
371031 (LUCIFER, 230 VAC)  
371043 (LUCIFER, 24 VDC)



370168  
(SIRAI, 230 VAC,  
1/8")



371071  
(SIRAI,  
230 VAC)



370068  
(M&M, 230 VAC)



371022  
(M&M, 230 VAC)



371090



371091



371095  
(VITON)



371100  
(SILICON)

## ELECTRICAL COMPONENTS VARIOUS



400080  
(EXPRESS)



400081  
(COMPACT)



400672  
(EXPRESS)



400680  
(DUE A/S, E-97 A/S,  
E-98 DIPLOMAT A/S, E-91S)



400684  
(COMPACT A)



400681 (EXPRESS, 1 GR)  
400682 (EXPRESS, 2 GR)  
400683 (EXPRESS, 3 GR)



400685  
(E-91 NA,  
E-91 A, E-91 DA)



500076  
(COMPACT, SPECIAL,  
EXPRESS)



500077  
(TRONIC, E-91, DUE)



500062  
(150 W)



500078  
(200 L/H)



500065  
(200 L/H)



500314  
(Ø 40 mm)



520158  
(Ø 40 mm)



525651  
(Ø 40 mm)



525210  
(Ø 35 mm)



525209  
(Ø 35 mm)



525210  
(Ø 35 mm)

## ELECTRICAL COMPONENTS VARIOUS



345145  
(P4-P6)



345147  
(NO-STOP, STAR-TRONIC, SPECIAL, EXPRESS, E-91, DUE)



345150  
(COMPACT)



110205



345033  
(SWITCH)



345142  
(SWITCH)



345160  
(SWITCH)



345141  
(SWITCH, 2 POLES)



345130  
(PUSH BUTTON, 1 POLE)



400308



346009  
(CUP WARMER SWITCH)



345156  
(E-61)



345269  
(P4/P6)



346006  
(NO-STOP)



346007  
(STAR-TRONIC)



359043  
(Ø 12 mm, 230 VAC, RED)



359138  
(Ø 10 mm, 230 VAC, RED)



359140  
(Ø 10 mm, 230 VAC, YELLOW)



359401  
(Ø 8 mm, 230 VAC, RED)



400010  
(RL70/1E/2C/8)



380137  
(8 POLES)

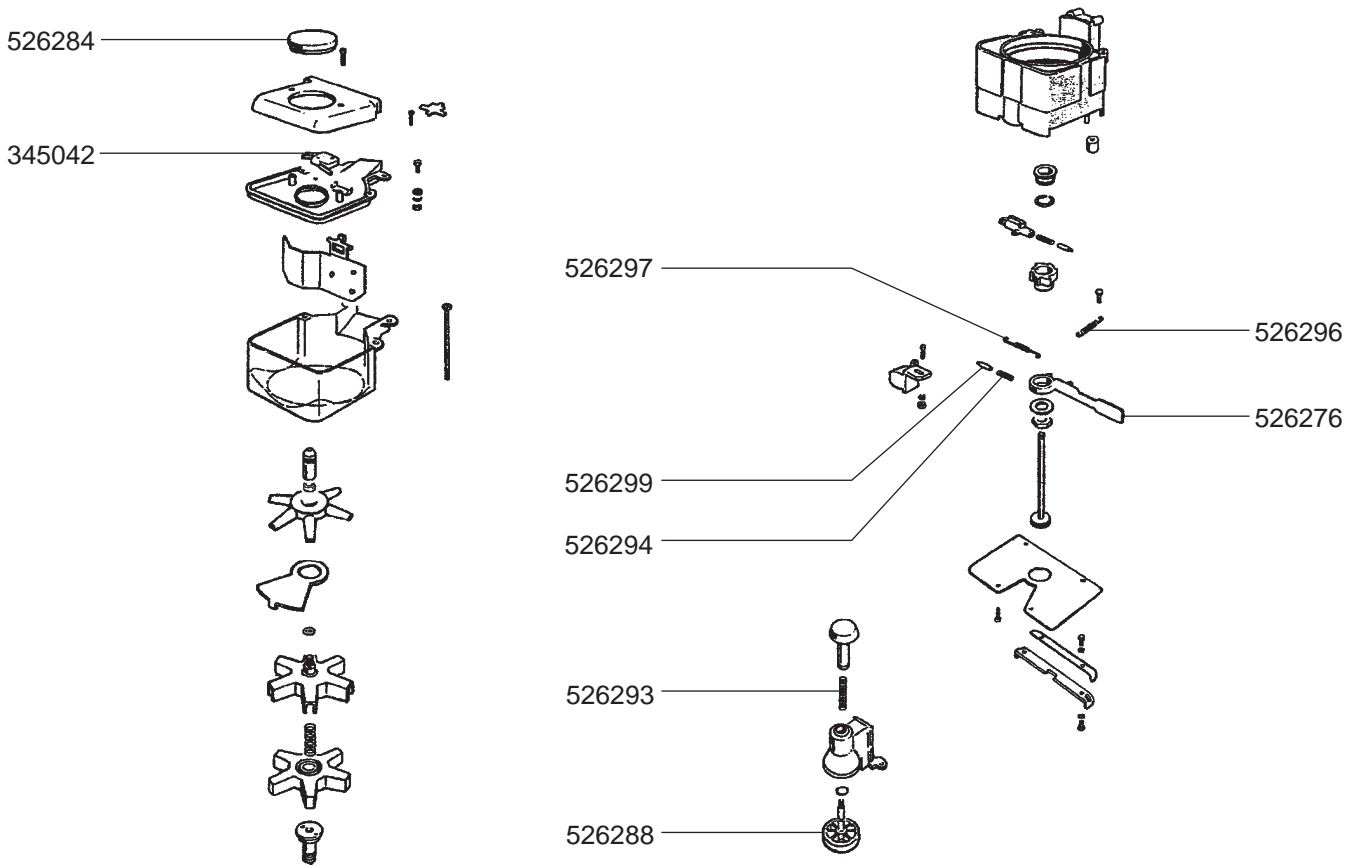
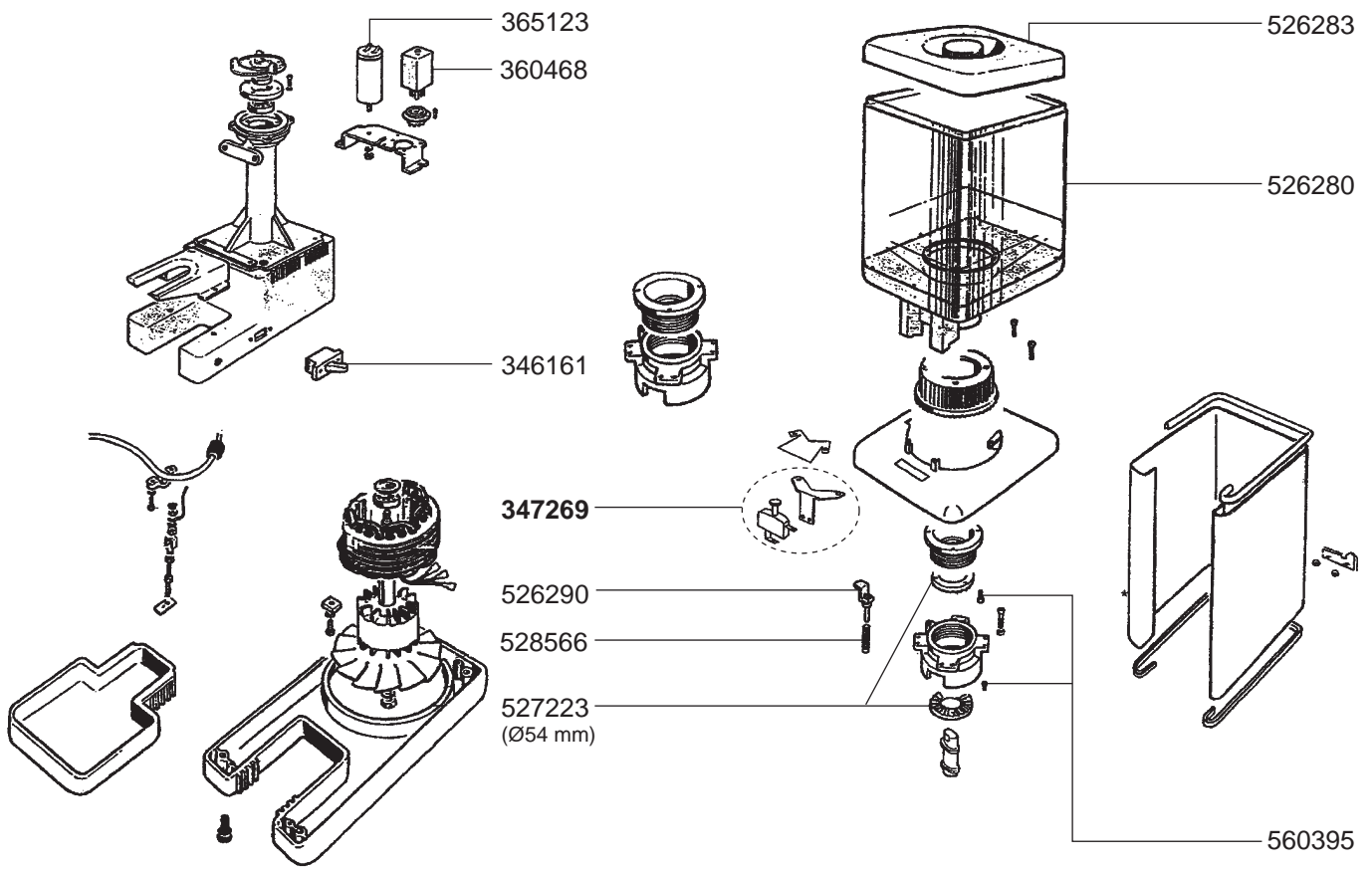


400020  
(L = 150 mm)

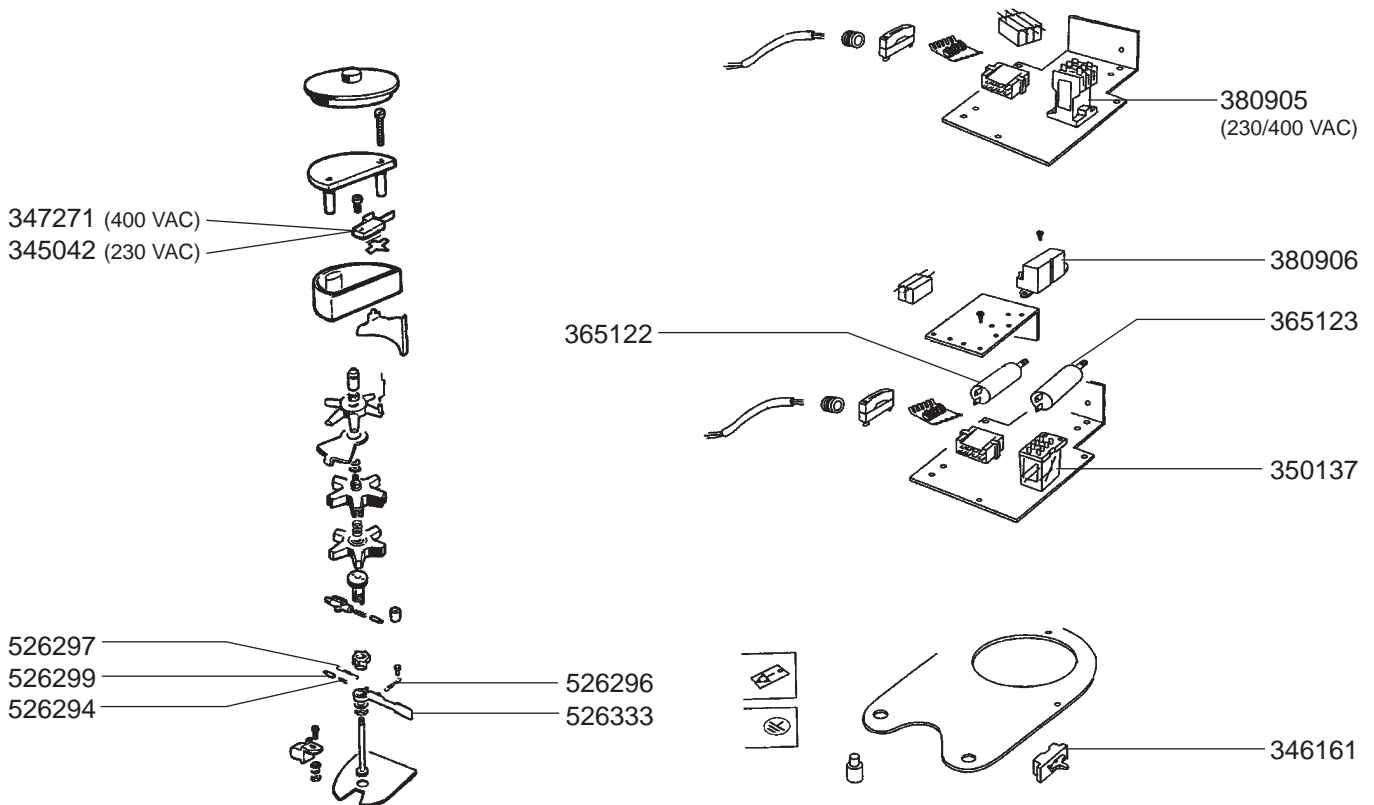
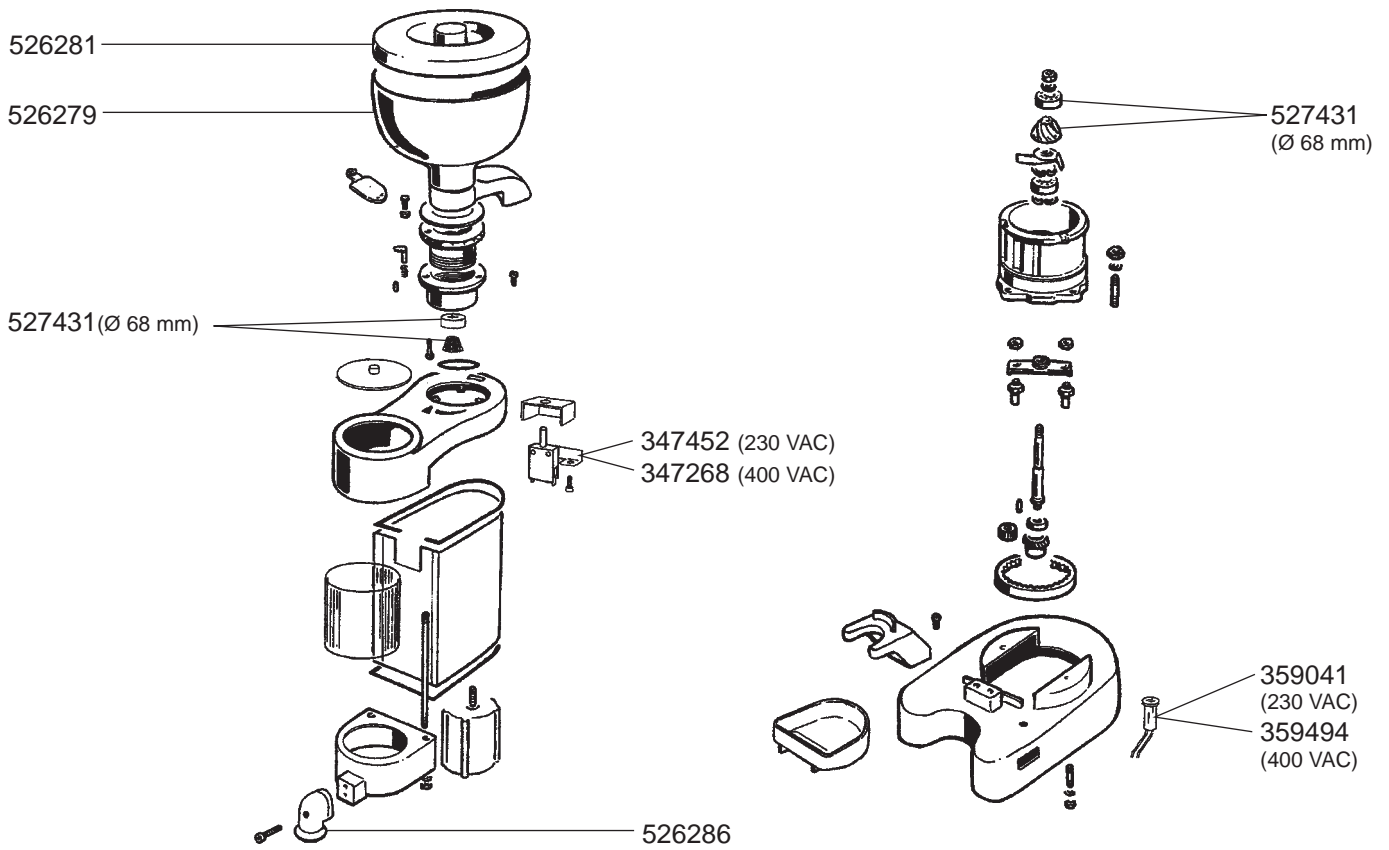


MPN

2  
COFFEE GRINDERS



MC90



**GASTRO**PARTS.COM

