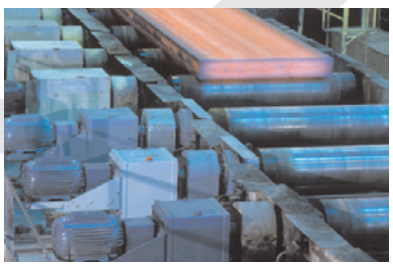
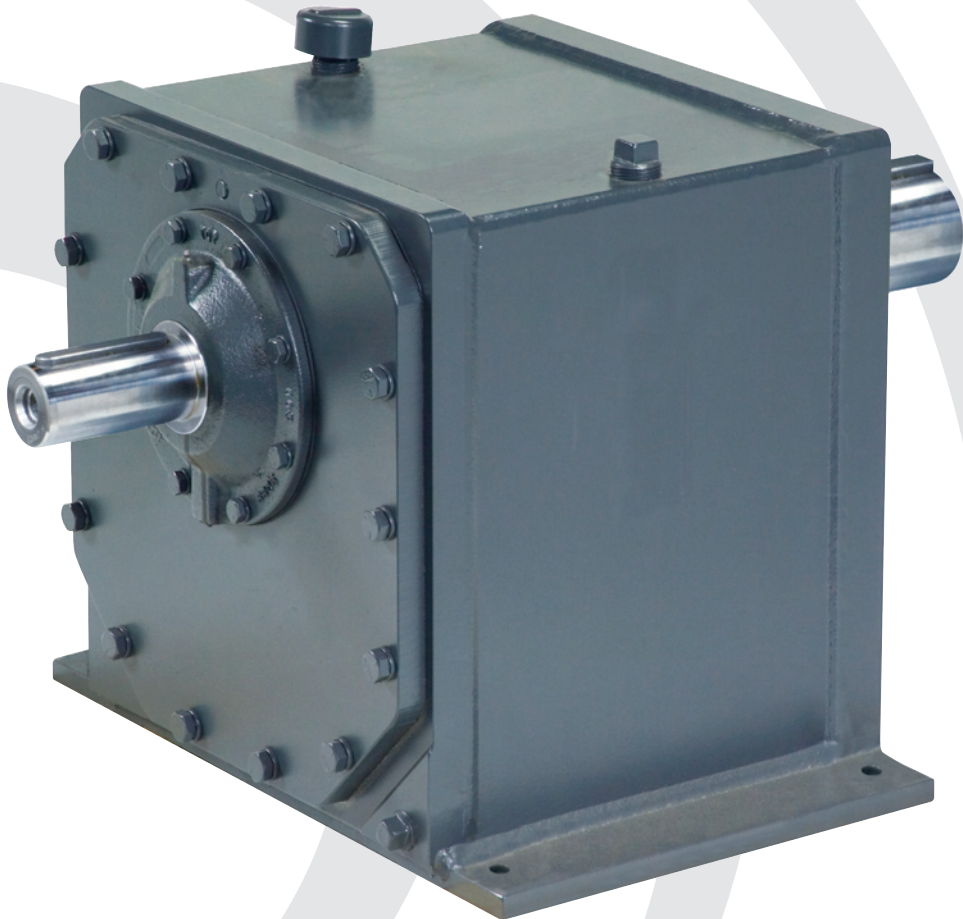


Falk™ UltraMax® Concentric Gear Drives

Rugged Enough for Parallel Shaft Challenges (English-Inch)



# Falk™ UltraMax®

## A Practical Alternative for Both Gearmotor & Parallel Shaft Drives



The fight for productivity has a brand new contender: the Falk UltraMax. The UltraMax drive delivers all the performance of a parallel shaft gear drive, with the economy of a gearmotor.

Designed to meet the tough challenges of medium and heavy-duty concentric gear drive operation, UltraMax gives you everything you choose Rexnord equipment for – outstanding design, durability, long life, easy maintenance, and overall efficiency.

UltraMax comes in ten sizes, with an output torque range of 282 Nm through 67 800 Nm, or 2500 lb.-in. through 600,000 lb.-in.

With UltraMax, you get more power for your dollar, with savings of up to 30% over a comparably rated parallel shaft gear drive.

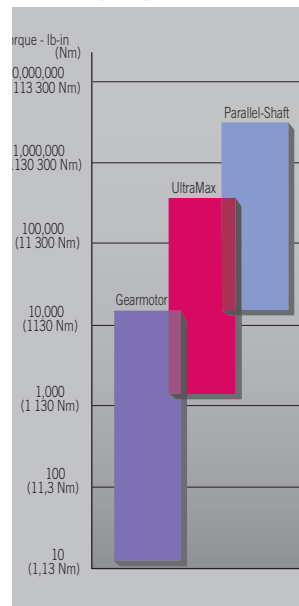
And, as always, when you team up with Rexnord, you are assured of application and delivery assistance, backed up by service and support where and when you need it.

Falk UltraMax. Performance you can rely on, round after round.

### Parallel Shaft Performance Meets Gearmotor Economy in UltraMax, the Perfect Concentric Alternative

UltraMax can be used in high torque applications that once required more expensive parallel-shaft drives. Tough and versatile, the compact, long-lasting UltraMax offers a fully-featured concentric design that works in today's global markets.

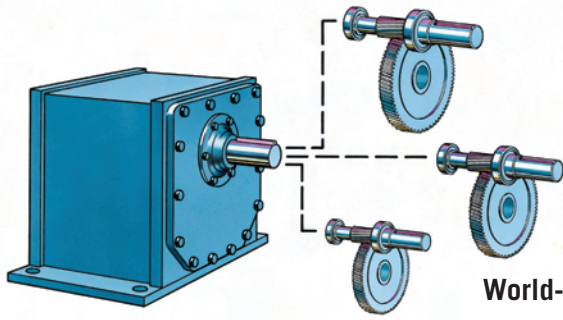
A competitive price and performance related cost savings give UltraMax bottom-line appeal.



### Optimized Design

The UltraMax incorporates the latest in design technology. With its high torque density, Ultramax is the right choice for new applications.

And users with Falk's 1000F concentric drive in existing applications will appreciate the drop-in interchangeability the UltraMax offers.



### Superior Availability

UltraMax delivers the power and reliability of a parallel shaft drive with the availability of a gearmotor.

With Rexnord's local Finished Assembly Program, Rexnord distributors can build and ship finished UltraMax drives within hours.

And the large UltraMax inventory at regional Rexnord Distribution Centers ensures quick delivery regardless of size, ratio, or accessories.

### Life Extending Extras

- Rugged tapered roller bearings at all locations provide load-carrying capacity superior to ball bearings.
- An automotive-type dipstick makes oil checks easy.
- Grease-purgeable seal cavities at all seal locations protect the seals from grit and abrasives that deteriorate sealing.
- Optional Viton® seals are available for severe duty applications.

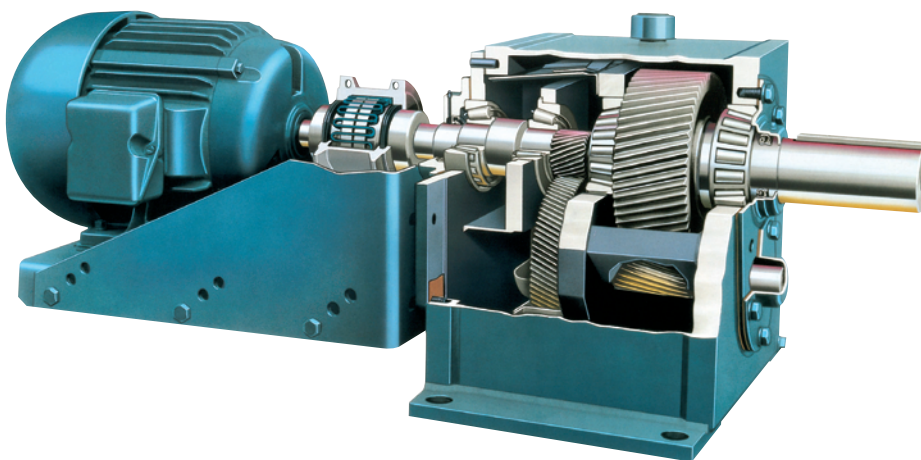
### World-Wide Application

UltraMax is designed for worldwide use. Shaft extensions and keyways are available in Inch or Metric dimensions.

Economical, pre-engineered accessories such as motor brackets, motor mounts and flanged motor adapters are readily available to suit both NEMA and IEC frame motors.

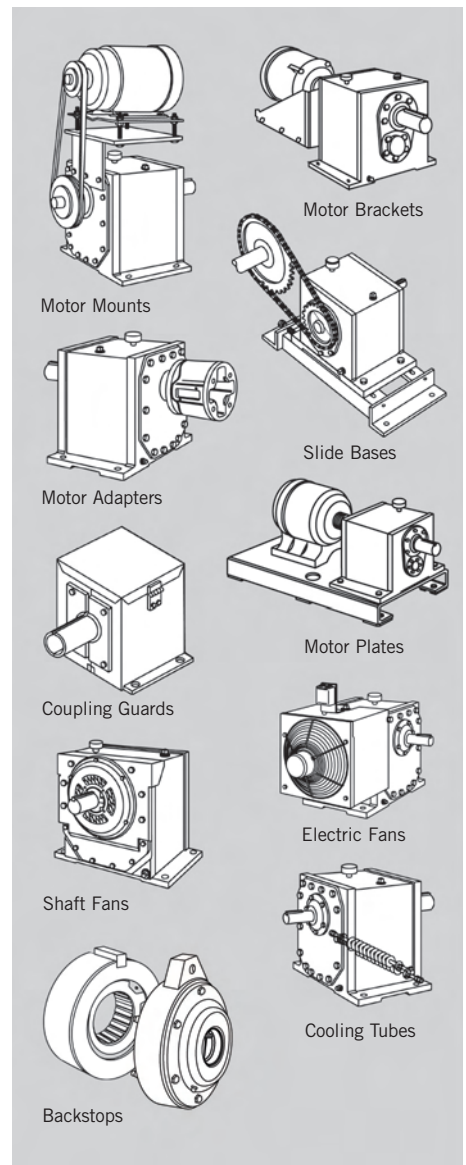
### Single Source For Gear Drive Packages

Associated couplings and OSHA-approved coupling guards, as well as electric motors, can be included in complete Rexnord supplied drive packages.

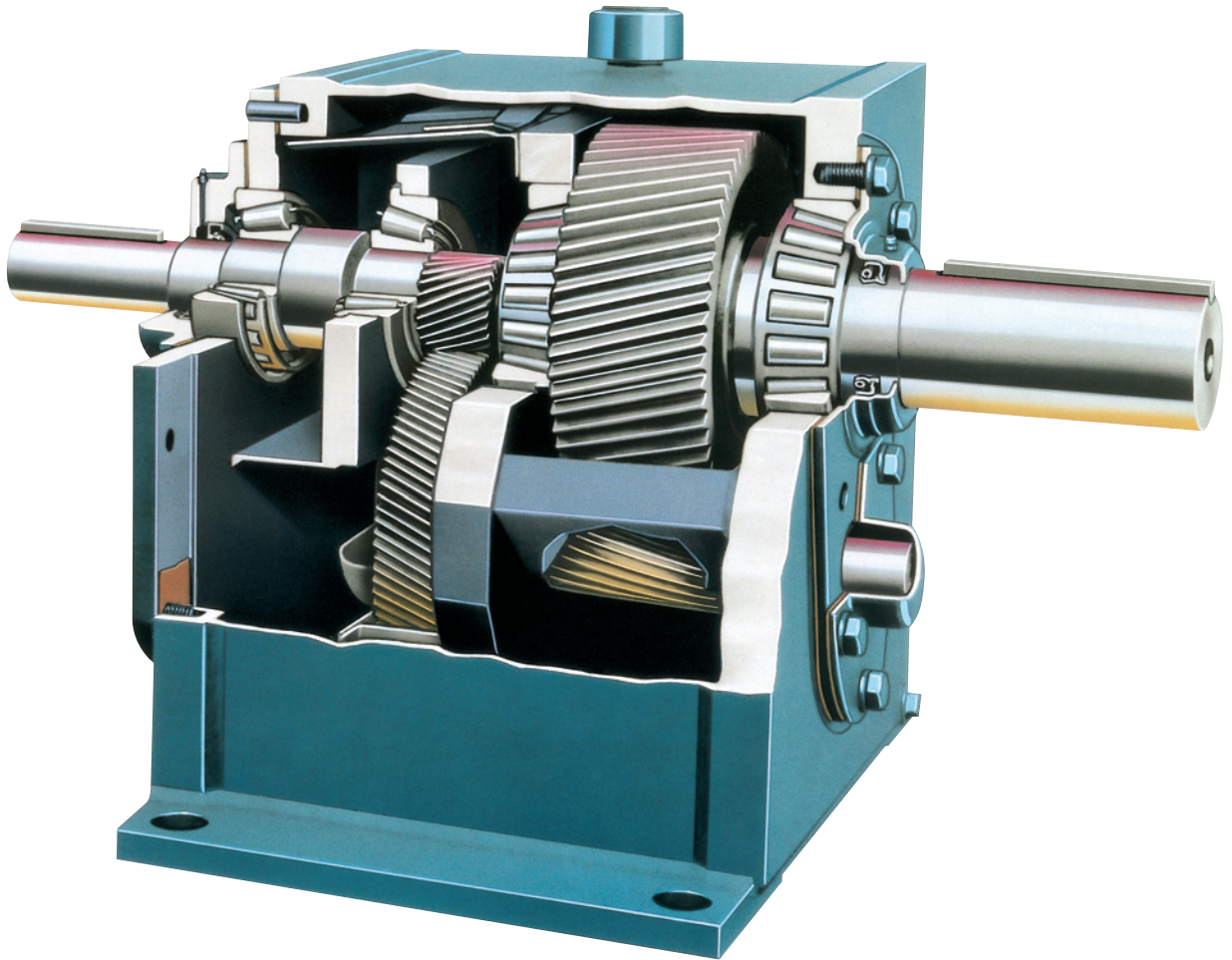


### Full Accessory Package

Economical integral backstops, slide bases, and motor plates are available. Efficient shaft driven cooling fans, electric fans, or cooling tubes can be specified as needed.



# UltraMax Selection Guide



# Selection Guide 311-110, September 2007

## Table of Contents

Basic Information . . . . .	5
Conditions Affecting Selection . . . . .	6 & 7
Service Factors . . . . .	8 & 9
Load Classification Factors . . . . .	10 & 11
How to Select — Quick Selection Method . . . . .	12
UltraMax Drive Identification . . . . .	13
How to Order . . . . .	14
Quick Selection Tables . . . . .	15-31
How to Select — Horsepower & Torque Method . . . . .	32
Horsepower & Torque Ratings . . . . .	33-41
Thermal Ratings . . . . .	42-46
Cooling Options . . . . .	47
Overhung Loads . . . . .	48-54
Thrust Loads . . . . .	55
Exact Ratios . . . . .	56
Availability & Compatibility of Accessories . . . . .	57
Dimensions . . . . .	58-72



**Factory Warranty** We're so confident in the performance and reliability of our latest generation of Falk heavy-duty products that we're backing this comprehensive offering with the best standard warranty in the business. Our full, 3-year Heavy-Duty Warranty provides "shaft-to-shaft" protection on all Falk components – including bearings and seals (warranty extends for 3 years from date of shipment). It's an industry first... and one more powerful reason why Rexnord is your ultimate bottom-line value.

## Basic Information

### Safety Notes

**Falk Gear Drives** The Falk and Rexnord name on the gear drive is the purchaser's assurance that the drive was engineered, rated and manufactured to sound design practices.

When one prime mover drives two pieces of equipment, one of which is either a standard Falk/Rexnord geared drive or a customer standard geared drive, the division of power between each machine is the responsibility of the customer. The power supplied to the geared drive must be equal to or less than the power for which the drive was selected using the appropriate service factor for the application. The customer must also assume the responsibility of isolating the geared drive from any vibratory or transient load induced by the driven equipment.

Install and operate Rexnord products in conformance with applicable local and national safety codes and per Rexnord installation manuals which are shipped with gear drives and are also available upon request. Suitable guards for rotating members may be purchased from Rexnord as optional accessories. Consult your local Rexnord Representative for complete details.

**People Conveying Equipment** Selection of Rexnord products for applications whose primary purpose is the transportation of people is not approved. This includes such applications as freight or passenger elevators, escalators, man lift platforms, and ski tows and ski lifts.

If the primary purpose of the application is material conveyance and occasionally people are transported, the Rexnord warranty may remain in effect provided the design and load conditions are not exceeded and certification to the appropriate safety codes and load conditions has been obtained by the system designer or end user from the appropriate enforcement authorities.

### Gear Drive Ratings

All gear drive ratings in this selection guide allow 100% overload for starting loads and momentary overloads for electric motor driven applications operating ten hours per day under uniform conditions (unity service factor). For other conditions, compute an equivalent power by multiplying the actual power required for the application by the appropriate service factor.

**Gear Drive Identification** Tables in this selection guide identify gear drives by size, type and ratio. See Drive Identification Page 12.

**Horsepower & Torque** Gear drive mechanical horsepower and torque ratings are tabulated in the selection guide to permit selections for specific application requirements. NOTE: Drives may be selected using the Quick Selection tables under most circumstances. Refer to those tables starting on Page 15 for selection guidelines.

**Thermal Ratings** must be considered when selecting a gear drive. Refer to Page 42 for more information.

**Stored & Inactive Drives** Each gear drive is spin-tested with a rust preventive oil that will protect parts against rust for a period of four months in an outdoor shelter or twelve months in a dry building after shipment from the Factory.

Periodically inspect stored or inactive drives and spray internal parts with rust inhibitor every six months or more often, if necessary. Drain oil before adding rust inhibitor. Indoor dry storage is recommended.

Drives ordered for extended storage can be treated at the Factory with a special preservative and sealed to rust-proof parts for periods longer than those cited above, if specified on the order.

Refer to appropriate service manual for extended storage of gear drives which have been in service.

Copyright 1981, 2007. Rexnord Industries, LLC. All Rights Reserved. Litho in U.S.A. FALK, FREEDOM, LIFEALIGN, OMNIBOX, ORANGE PEEL, QUADRIVE, RAM, RENEW, REXNORD, SPEED QUOTE, SPEED LINE, STEELFLEX, TA TAPER, TRUE HOLD, ULTRAMITE, and ULTRAMAX, and WRAPFLEX are registered trademarks. DRIVE ONE and TRUE TORQUE are trademarks of the Falk Corporation.

The contents of this selection guide are subject to change without notice or obligation. Information contained herein should be confirmed before placing orders.

# Conditions Affecting Selections

## Non-Standard Application Procedures

The following conditions may affect the UltraMax gear drive selection procedure, drive size and auxiliary equipment being furnished.

**Excessive Overloads** The maximum momentary or starting load must not exceed 200% of rated load (100% overload). Rated load is defined as gear drive rating with a service factor of 1.0. If the maximum starting or momentary load exceeds the above conditions, compute a second equivalent power rating by dividing the peak load by two. The gear drive selected must have capacity equal to, or in excess of, the larger equivalent power rating.

**Frequency of Starts** Starting frequency is an important consideration when selecting a gear drive. Applications involving 2 to 3 equally spaced starts per hour must utilize a minimum 1.5 service factor for unloaded starts, and a minimum 1.75 service factor for fully loaded starts. For applications involving more than 3 starts per hour, refer to Falk the application specifics such as starting frequency and maximum starting torque. AC motors also have similar limitations. The addition of a fluid coupling as a soft start device would increase the number of allowable starts.

**Reversing Service** Applications involving either more than 20 reversals per ten hour period, or less than 20 reversals per ten hour period with peak torques greater than 200% of normal load must be referred to the Factory.

**Brake Equipped Applications** When a gear drive is equipped with a "working" brake that is used to decelerate the motion of the system and the brake is located between the prime mover and the gear drive, select the drive based on the brake rating or the highest equivalent power rating, whichever is greater. If the brake is used for holding only and is applied after the motion of the system has come to rest, the brake rating must be less than 200% of the catalog rating, refer the application to the Factory. Also refer to the Factory all applications in which the brake is located on the output shaft of the gear drive.

**Oversized Prime Mover** Published service factors do not cover applications that require oversize prime movers for high energy or peak loads. Refer such applications to the Factory for selection of suitable drives.

**Speed Variation or Multi-Speed Applications** Type FC and FZ gear drives offered in this selection guide are designed to operate with splash lubrication on any single speed application and any ratio shown in the selection guide unless otherwise noted. It is essential that all orders indicate the desired operating speed and ratio so that the proper internal oil distribution accessories can be supplied for the specific speed.

These drives are assembled with a variety of standard internal lubrication components such as oil pans and oil deflectors to ensure proper splash lubrication. In addition, different oil levels are necessary for various drive sizes, speeds and ratios. Consequently, to operate an existing drive at different speeds from those shown on the nameplate, full application and nameplate information must be referred to the Factory for review of the lubrication system.

All variable or multi-speed applications will be referred to the Engineering Department to specify lubrication components for adequate lubrication at the slowest speed, without excessive heating or churning at the highest speed. It is essential that all orders indicate minimum and maximum speeds, as well as the speed duration cycles.

When selecting gear drives for multi-speed or variable speed applications, determine the speed which develops the greatest torque and select the drive on this basis. If the speed is not listed in the selection table, use the next lower speed.

**Application Adjusted Thermal Rating, Page 42** The Application Adjusted Thermal Rating is the actual power rating without service factor that a gear drive will transmit continually for three hours or more without overheating. The Application Adjusted Thermal Rating considers the environmental factors of the application which will affect the ability of the drive to dissipate heat. These factors include ambient temperature, air movement, altitude (thin air does not remove heat effectively,) inlet water temperature and duty cycle (percentage of an hour that the drive operates). Factors for these conditions must be used to modify the Basic Thermal Rating when determining the Application Adjusted Thermal Rating.

Checking the thermal rating is extremely important, for if a gear drive creates heat faster than it can be dissipated, severe damage may occur.

Thermal ratings need not be considered when the operating period does not exceed three hours and the shut down time equals or exceeds the running time. However, when the running time exceeds the shutdown time, selection must be made on the basis of adequate thermal rating using the Application Adjusted Thermal Rating.

**Effects of Solar Energy** If a drive operates in the sun at ambient temperatures over 100°F (38°C), then special measures must be taken to protect the drive from solar energy. This protection can consist of a canopy over the drive or reflective paint on the drive. If neither is possible, additional cooling may be required, such as shaft fans, electric fans, cooling tubes, or heat exchangers.

**Overhung Loads & Thrust Loads** The overhung load and thrust load ratings published in this selection guide are based on a service factor of unity and a combination of the most unfavorable conditions of rotation, speed, direction of applied load and drive loading. If the calculated load exceeds the published value, or if an overhung load and thrust load are applied simultaneously to a shaft, refer to tables and guidelines on Pages 48 through 55.

**Product Modifications** Rexnord can supply special product modifications to suit your application needs. Contact your local Rexnord Representative for housing modifications, special ratios, special shafts, special mounting conditions, accessory modifications and other special application requirements.

## Non-Standard Motors

Factory approval is required for motors and motor positions that vary from those shown in this selection guide. Motor brackets are designed to suit the standard Type T10 Steelflex couplings furnished with the drives and current standard 1750 rpm, single speed, A-C, NEMA, T & U series motor frames. Use of oversize motors, the extending or modifying of motor brackets, addition of clutches, brakes, etc., require Factory approval. Normally, motor plates are recommended for these applications.

## Mounting Positions

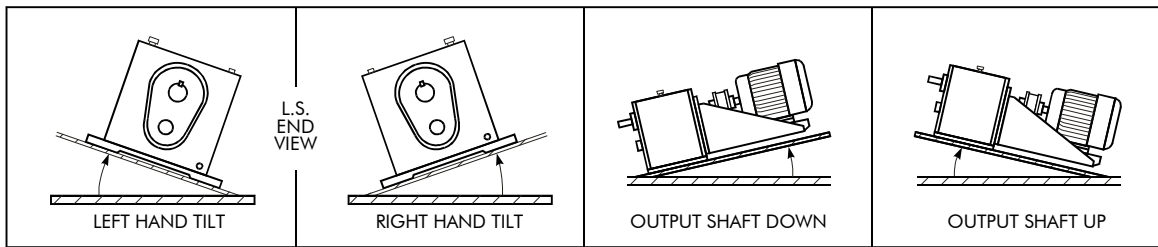
UltraMax drives can be modified to permit mounting in positions other than conventional floor mounting. Some of these include ceiling, wall and various inclined vertical and tilted positions. Consult the Factory to determine what modifications are required for your specific application.

## Motor Brackets

Motor brackets provide an economical “soft” mounting for standard NEMA T & U-frame and IEC B3 induction type electric motors. It is expected that the weight, location, and starting torque of the motor will cause cantilevered motor brackets to deflect downward or twist to varying degrees. The gear drive/motor/coupling selections found in the Rexnord selection guide are engineered to be within acceptable deflection limits as determined by Rexnord. However, because the motor bracket is a “soft” motor support, deflection and vibration magnitude of the bracket may exceed levels normally considered acceptable for rigidly, “hard” mounted machinery.

For applications using other than pre-selected standard gear drive/motor/coupling combinations, the use of a motor plate is recommended. If a motor bracket is to be used, it becomes the customer’s responsibility to support the rear of the motor bracket as necessary to diminish motor bracket deflection and vibration to within satisfactory levels determined by the customer. For recommended bracket support, contact the Factory.

Use of oversized motors, the extending or modifying of the motor brackets, addition of clutches, brakes, etc., require Factory approval. Motor plates are recommended for these applications.



## Maximum Standard Allowable Tilt & Incline Mounting Limits ★

DRIVE SIZE ★	TILTED †						INCLINED						DRIVE SIZE ★
	Double Reduction		Triple Reduction		Quadruple Reduction		Double Reduction		Triple Reduction		Quadruple Reduction		
	Left Hand	Right Hand	Left Hand	Right Hand	Left Hand	Right Hand	L.S. Shaft Down	L.S. Shaft Up	L.S. Shaft Down	L.S. Shaft Up	L.S. Shaft Down	L.S. Shaft Up	
2040	5°	5°	5°	5°	...	...	5°	10°	5°	10°	...	...	2040
2050	2°	5°	2°	5°	10°	5°	2°	10°	2°	10°	2°	10°	2050
2060	5°	5°	5°	5°	5°	5°	5°	2°	2°	2°	2°	2°	2060
2070	5°	5°	5°	5°	5°	5°	5°	2°	2°	2°	2°	2°	2070
2080	5°	5°	5°	5°	5°	5°	5°	2°	5°	2°	2°	2°	2080
2090	5°	5°	5°	5°	5°	5°	5°	2°	5°	2°	5°	2°	2090
2100	5°	5°	5°	5°	5°	5°	5°	2°	5°	2°	5°	2°	2100
2110	5°	5°	5°	5°	5°	5°	5°	2°	5°	2°	5°	2°	2110
2120	5°	5°	5°	5°	5°	5°	5°	2°	5°	2°	5°	2°	2120
2130	5°	5°	5°	5°	5°	5°	5°	2°	5°	2°	5°	2°	2130

★ Maximum limits shown above apply to standard Type FC/FZ drives without modification. For applications requiring higher tilt or incline angles, Refer to Factory. Oil level must be checked when drive is in the tilted or inclined position.

† Size 2060-2130 drives: dipstick must be located on high side of drive as shown in picture.

# Service Factors

**Table 1 — Class/Service Factor Conversion Table**

Class	Service Factor
I	1.00
II	1.41
III	2.00

## Service Factors

UltraMax drives may be selected by Service Factor or Load Classification. Selections may vary, so compare Service Factor against Load Classification on Pages 10 or 11. Selecting the lowest Service Factor from Table 1 will result in the most economical selection.

A gear drive is rated to a specific application by the use of Service Factor. Each application has its conditions and operating requirements. These have been analyzed and catalogued. Numerical values, based on field experience, have been assigned to these classifications for intermittent service of 3 to 10 hours per day and for service over 10 hours per day and also for the type of prime mover. . . electric motor or engine. Values for most applications are listed by Application on Page 9, Table 4 and by Industry at right, Table 3. Refer unlisted applications to the Factory.

Since most industrial applications are electric motor driven, Service Factors are based on the use of electric motors. These factors can be easily converted to engine-drive factors as outlined in Table 2 below.

Service Factors are based on the assumption that the system is free of dynamic vibrations, as explained in the Basic Information section, and that maximum momentary or starting loads do not exceed 200% of the rated load. Refer applications subject to repetitive shocks and applications where exceedingly high energy load must be absorbed, as when stalling, refer to the Factory for special considerations.

## Occasional & Intermittent Service or Engine Driven Applications

Engine driven applications and applications operating up to 3 hours per day, continuously or intermittently, require adjusted Service Factors. Determine normal Service Factor for the application from the 3 to 10 hours per day column in Tables 3 or 4. Next, in the first column of Table 2 below, find this same Service Factor in bold face type. Then, to the right, under the desired hours of service and prime mover, locate the converted Service Factor.

For example, from Table 4, the Service Factor is 1.25 for a uniformly loaded belt conveyor. From Table 1, for the same application the following are the Service Factors for various conditions.

1. Engine driven (multi-cylinder): 3 to 10 hours per day, use 1.50.
2. Engine driven (multi-cylinder): over 10 hours per day, use 1.75.
3. Motor driven (electric): up to 3 hours intermittently, use 1.00 .

**Table 2 — Service Factor Conversions**

Table 3 or 4 3 to 10 Hour Service Factor	3 to 10 Hours per Day	Over 10 Hours per Day	Intermittent — Up to 3 Hours per Day †	
	Multi-Cyl. Engine ‡	Multi-Cyl. Engine ‡	Motor	Multi-Cyl. Engine ‡
<b>1.00 (Class I)</b>	1.25	1.50	1.00	1.00
<b>1.25</b>	1.50	1.75	1.00	1.25
<b>1.41 (Class II)</b>	1.75	2.00	1.25	1.50
<b>1.50</b>	1.75	2.00	1.25	1.50
<b>1.75</b>	2.00	2.25	1.50	1.75
<b>2.00 (Class III)</b>	2.25	2.50	1.75	2.00

† For applications operating one half hour or less per day and applications driven by single cylinder engines, refer to Factory.

‡ These service factors are based on the assumption that the system is free from serious critical and torsional vibrations and that maximum momentary or starting loads do not exceed 200% of the normal load.

**Table 3 — Service Factors Listed by Industry**

(For electric motor, steam turbine or hydraulic motor drives . . . recommendations are MINIMUM and normal conditions are assumed.)

Industry	Service		Industry	Service	
	3 to 10 Hour	Over 10 Hour		3 to 10 Hour	Over 10 Hour
<b>BOTTLING AND BREWING</b>			Embosses	1.25	
Bottling Machinery	1.00	1.25	Extruder	1.50	
Brew Kettles, Continuous Duty	1.25	1.25	Foundry Rolls—Lumpbreaker		
Can Filling machines	1.00	1.25	Wire Turning, Dandy & Return Rolls	1.25	
Cookers—Continuous Duty	1.25	1.25	Jordan	1.50	
Mash Tubs—Continuous Duty	1.25	1.25	Kiln Drive	1.50	
Scale Hoppers—Frequent Starts	1.25	1.50	Mt. Hope & Paper Rolls	1.25	
<b>CLAY WORKING INDUSTRY</b>			Platter	1.50	
Brick Press	1.75	2.00	Presses (Felt & Suction)	1.25	
Briquette Machines	1.75	2.00	Pulper (Continuous)	2.00	
Clay Working Machinery	1.25	1.50	Repulper (Heavy Shock)	2.00	
Pug Mills	1.25	1.50	Reel (Surface Type)	1.25	
<b>DISTILLING DREDGES</b>	See Brewing		Screens		
Cable Reels, Conveyors	1.25	1.50	Chip & Rotary	1.50	
Cutter Head, Jig Drives & Pumps	2.00	2.00	Vibrating	2.00	
Maneuvering Winches	1.75	2.00	Size Press	1.25	
Screen Drives	1.75	2.00	Super Calenders	1.25	
Stackers, Utility Winches	1.25	1.50	Thickener & Washer		
<b>FOOD INDUSTRY</b>			AC Motor	1.50	
Beet Slicers	1.25	1.50	DC Motor	1.25	
Bottling, Can Filling Machine	1.00	1.25	Vacuum Pumps	1.50	
Cereal Cookers	1.00	1.25	Wind & Unwind Stand	1.25	
Dough Mixers, Meat Grinders	1.25	1.50	Winders (Surface Type)	1.25	
<b>LUMBER INDUSTRY</b>			♦ Yankee Dryers	1.25	
Barkers—Spindle Feed	1.25	1.50	<b>PLASTIC INDUSTRY</b>		
Barkers—Main Drive	1.75	1.75	Batch Drop Mill, 2 smooth rolls	1.25	1.25
Carriage Drive	Refer to Factory		Calenders	1.50	1.50
Conveyors			Compounding Mills	1.25	1.25
Burner	1.25	1.50	Continuous Feed, Holding & Blend Mill	1.25	1.25
Main or Heavy Duty	1.50	1.50	Extruders	1.50	1.50
Main Log	1.75	2.00	Variable Speed Drive	1.50	1.50
Re-Saw Merry-Go-Round	1.25	1.50	Fixed Speed Drive	1.75	1.75
Slab	1.75	2.00	Intensive Internal Mixers		
Transfer	1.25	1.50	Batch Mixers	1.75	1.75
Chains—Floor	1.50	1.50	Continuous Mixers	1.50	1.50
Chains—Green	1.50	1.75	<b>RUBBER INDUSTRY</b>		
Cut-Off Saws—Chain & Drag	1.50	1.75	Batch Drop Mill, 2 smooth rolls	1.50	1.50
Debarking Drums	1.75	2.00	Calenders	1.50	1.50
Feeds—Edger	1.25	1.50	Cracker, 2 corrugated rolls	2.00	2.00
Feeds—Gang	1.75	1.75	Cracker Warmer—2 roll, 1 corrugated roll	1.75	1.75
Feeds—Trimmer	1.25	1.50	Extruders		
Log Deck	1.75	1.75	Continuous Screw Operation	1.75	1.75
Log Hauls—Incline, Well Type	1.75	1.75	Intermittent Screw Operation	1.75	1.75
Log Turning Devices	1.75	1.75	Holding, Feed & Blend Mill—2 Roll	1.25	1.25
Planer Feed	1.25	1.50	Intensive Internal Mixers		
Planer Tilting Hoists	1.50	1.50	Batch Mixers	1.75	1.75
Rolls—Live-Off Bearing—Roll Cases	1.75	1.75	Continuous Mixers	1.50	1.50
Sorting Table, Tipple Hoist	1.25	1.50	Mixing Mill—2 smooth rolls (if corrugated rolls are used, use Cracker Warmer service factors)	1.50	1.50
Transfers—Chain & Craneway	1.50	1.75	Refiner—2 roll	1.50	1.50
Troy Drives	1.25	1.50	<b>SEWAGE DISPOSAL</b>		
Veneer Lathe Drives	Refer to Factory		Bar Screens	1.25	1.25
<b>OIL INDUSTRY</b>			Chemical Feeders	1.25	1.25
Chillers	1.25	1.50	Collectors	1.25	1.25
Oil Well Pumping	Refer to Factory		Dewatering Screens	1.50	1.50
Paraffin Filter Press	1.25	1.50	Scum Breakers	1.50	1.50
Rotary Kilns	1.25	1.50	Slow or Rapid Mixers	1.50	1.50
<b>PAPER MILLS *</b>			Thickeners	1.50	1.50
Agitator (Mixer)	1.50		Vacuum Filters	1.50	1.50
Agitator for Pure Liquids	1.25		<b>SUGAR INDUSTRY</b>		
Barking Drums, Barkers—Mech.	2.00		Cane Knives, Crushers	1.75	1.75
Beater	1.50		Mills (low speed end)	1.75	1.75
Breaker Stack	1.25		<b>TEXTILE INDUSTRY</b>		
♦ Calender	1.25		Batchers, Calenders	1.25	1.50
Chipper	2.00		Card Machines	1.25	1.50
Chip Feeder	1.50		Dry Cans, Dryers	1.25	1.50
Coating Rolls	1.25		Dyeing Machinery	1.25	1.50
Conveyors—			Knitting Machinery	Refer to Factory	
Chip, Bark, Chemical	1.25		Looms, Mangles, Nappers, Pads	1.25	1.50
Log (incl. Slab)	2.00		Range Drives	Refer to Factory	
Couch Rolls	1.25		Slashers, Soapers, Spinners, Tenter Frames, Washers, Winders	1.25	1.50
Cutter	2.00		<b>WINDLASS</b>	Refer to Factory	
Cylinder molds	1.25				
♦ Dryers —					
Paper Mach. & Conveyor Type	1.25				

\* Service Factors for paper mill applications are applied to the nameplate rating of the electric drive motor at the motor rated base speed and are consistent with those shown in TAPPI standards.

♦ Anti-friction bearings only.

• A service factor of 1.00 may be applied at base speed of a super calender operating over a speed range of part constant hp and part constant torque where the constant hp speed range is greater than 1.5 to 1. A service factor of 1.25 is applicable to super calenders operating at constant torque over the entire speed range or where the constant hp speed range is less than 1.5 to 1.



**Table 4 — Service Factors Listed by Application**

(For electric motor, steam turbine or hydraulic motor drives . . . recommendations are MINIMUM and normal conditions are assumed.)

Service			Service			Service		
Application	3 to 10 Hour	Over 10 Hour	Application	3 to 10 Hour	Over 10 Hour	Application	3 to 10 Hour	Over 10 Hour
<b>AGITATORS</b>			<b>▲ CONVEYORS—Uniformly loaded or Fed:</b>			<b>▲ HOISTS</b>		
Pure Liquids . . . . .	1.00	1.25	Apron, Bucket . . . . .	1.25	1.50	Heavy Duty . . . . .	1.75	2.00
Liquids & Solids . . . . .	1.25	1.50	Apron, Assembly, Belt, Chain, Flight, Oven, Screw . . . . .	1.25	1.25	Medium Duty . . . . .	1.25	1.50
Liquids—Variable Density . . . . .	1.25	1.50				Skip Hoist . . . . .	1.25	1.50
<b>APRON CONVEYORS</b>			<b>▲ CONVEYORS—Heavy Duty, Not Uniformly Fed</b>			<b>INDUCED DRAFT FANS</b>	1.50	1.50
Uniformly Loaded or Fed . . . . .	1.25	1.50	Apron, Assembly, Belt, Bucket, Chain, Flight, Oven, Screw . . . . .	1.25	1.50	<b>KILNS</b>	See Mills, Rotary	
Heavy Duty . . . . .	1.25	1.50	<b>CONVEYORS—Severe Duty</b>			<b>LAUNDRY WASHERS</b>	1.50	2.00
<b>APRON FEEDERS</b>	1.25	1.50	Live Roll . . . . .	Refer to Factory		<b>LAUNDRY TUMBLERS</b>	1.25	1.50
<b>ASSEMBLY CONVEYORS</b>			Reciprocating Shaker . . . . .	1.75	2.00	<b>LINE SHAFTS</b>		
Uniformly Loaded or Fed . . . . .	1.25	1.25	<b>COOKERS (Brewing &amp; Distilling), (Food)</b>	1.25	1.25	Driving Processing Equipment . . . . .	1.25	1.50
Heavy Duty . . . . .	1.25	1.50	<b>COOLING TOWER FANS</b>	Refer to Factory		Other Line Shafts, Light . . . . .	1.00	1.25
<b>BALL MILLS</b>	See Mills, Rotary					<b>LIVE ROLL CONVEYORS</b>	Refer to Factory	
<b>BARGE HAUL PULLERS</b>	1.75	2.00	<b>▲ CRANES</b>			<b>LOBE BLOWERS OR COMPRESSORS</b>	1.25	1.50
<b>BARKING</b>			Dry Dock Cranes, Main Hoist, Bridge and Trolley Travel . . . . .	Refer to Factory		<b>LOG HAULS (Lumber)</b>		
Drums (Coupling Connected) . . . . .	2.00		<b>CRUSHERS</b>			Incline-well Type . . . . .	1.75	1.75
Mechanical . . . . .	2.00		Ore or Stone . . . . .	1.75	2.00	<b>LOOMS (Textile)</b>	1.25	1.50
<b>BAR SCREENS (Sewage)</b>	1.25	1.25	Ore or Stone . . . . .	1.75	1.75	<b>LUMBER INDUSTRY</b>	See Table 3	
<b>BATCHERS (Textile)</b>	1.25	1.50	<b>DEWATERING SCREENS (Sewage)</b>	1.50	1.50	<b>MACHINE TOOLS</b>		
<b>BELT CONVEYORS</b>			<b>DISC FEEDERS</b>	1.00	1.25	Auxiliary Drives . . . . .	1.00	1.25
Uniformly Loaded or Fed . . . . .	1.25	1.25	<b>DISTILLING</b>	See Table 3		Bending Rolls . . . . .	1.25	1.50
Heavy Duty . . . . .	1.25	1.50	<b>DOUBLE ACTING PUMPS</b>			Main Drives . . . . .	1.25	1.50
<b>BELT FEEDERS</b>	1.25	1.50	2 or more Cylinders . . . . .	1.25	1.50	Notching Press (Belted) . . . . .	Refer to Factory	
<b>BENDING ROLLS (Machine)</b>	1.25	1.50	Single Cylinder . . . . .	Refer to Factory		Plate Planers . . . . .	1.75	2.00
<b>BLOWERS</b>			<b>DOUGH MIXER (Food)</b>	1.25	1.50	Punch Press (Geared) . . . . .	1.75	2.00
Centrifugal . . . . .	1.25	1.25	<b>DRAW BENCH (Metal Mills)</b>			Tapping machines . . . . .	1.75	2.00
Lobe . . . . .	1.25	1.50	Carriage & Main Drive . . . . .	1.25	1.50	<b>MANGLE (Textile)</b>	1.25	1.50
Vane . . . . .	1.25	1.50	<b>DREDGES</b>	See Table 3		<b>MASH TUBS (Brewing &amp; Distilling)</b>	1.25	1.25
<b>BOTTLING MACHINERY</b>	1.00	1.25	<b>DRY DOCK CRANES</b>	Refer to Factory		<b>MEAT GRINDERS (Food)</b>	1.25	1.50
<b>BREWING</b>	See Table 3		<b>DRYERS &amp; COOLERS (Mills, Rotary)</b>	1.50		<b>METAL MILLS</b>		
<b>BRICK PRESS (Clay Working)</b>	1.75	2.00	<b>DYEING MACHINERY (Textile)</b>	1.25	1.50	Draw Bench Carriages & Main Drives . . . . .	1.25	1.50
<b>BRIQUETTE MACHINES (Clay Working)</b>	1.75	2.00	<b>ELEVATORS</b>			Pinch, Dryer & Scrubber Rolls, Reversing . . . . .	Refer to Factory	
<b>BUCKET</b>			Bucket—Uniform Load . . . . .	1.25	1.50	Slitters . . . . .	1.25	1.50
Conveyors Uniform . . . . .	1.25	1.50	Bucket—Heavy Duty . . . . .	1.25	1.50	Table Conveyors, Non-Reversing Group Drives . . . . .	1.50	1.50
Conveyors Heavy Duty . . . . .	1.25	1.50	Bucket—Continuous . . . . .	1.25	1.50	Non-Reversing Individual Drives . . . . .	2.00	2.00
Elevators Continuous . . . . .	1.25	1.50	Centrifugal Discharge . . . . .	1.25	1.25	Reversing . . . . .	Refer to Factory	
Elevators Uniform . . . . .	1.25	1.50	<b>▲ Escalators</b>	Not Approved		Wire Drawing & Flattening . . . . .	1.25	1.50
Elevators Heavy Duty . . . . .	1.25	1.50	<b>▲ Freight</b>	Not Approved		<b>Machines</b>	1.25	1.50
<b>CALENDERS</b>			<b>▲ Gravity Discharge</b>	1.00	1.25	Wire Winding Machines . . . . .	1.50	1.50
Rubber and Plastic . . . . .	See Table 3		<b>▲ Man Lifts, Passenger</b>	Not Approved		<b>MILLS, ROTARY</b>		
Textile . . . . .	1.25	1.50	<b>EXTRUDERS (Plastic &amp; Rubber)</b>	See Table 3		Ball and Rod Mills with Spur Ring Gear . . . . .	2.00	
<b>CANE KNIVES</b>	1.75		<b>FANS</b>			with Helical Ring Gear . . . . .	1.50	
<b>CAN FILLING MACHINES</b>	1.00	1.25	Centrifugal . . . . .	1.25	1.25	Direct Connected . . . . .	2.00	
<b>CAN FILLING MACHINES (Sewage)</b>	1.00	1.25	Cooling Towers . . . . .	Refer to Factory		Cement Kilns, Dryers & Coolers, Pebble, Plain & Wedge Bar Mills . . . . .	1.50	
<b>CARD MACHINES (Textile)</b>	1.25	1.50	Forced Draft . . . . .	1.25	1.50	Tumbling Barrels . . . . .	1.75	2.00
<b>CAR DUMPERS</b>	1.75	2.00	Induced Draft . . . . .	1.50	1.50	<b>MIXER (Also see Agitators)</b>		
<b>CAR PULLERS</b>	1.25	1.50	Large (Mine, etc.) . . . . .	1.50	1.50	Concrete, Cont. & Int. . . . .	1.25	1.50
<b>CEMENT KILNS</b>	See Mills, Rotary		Large Industrial . . . . .	1.50	1.50	Constant Density . . . . .	1.25	1.50
<b>CENTRIFUGAL</b>			Light (Small Diameter) . . . . .	1.00	1.25	Variable Density . . . . .	1.25	1.50
Blowers, Compressors, Discharge Elevators, Fans or Pumps . . . . .	1.25	1.25	<b>FEEDERS</b>			<b>NAPPERS (Textile)</b>	1.25	1.50
<b>CHAIN CONVEYORS</b>			Apron, Belt . . . . .	1.25	1.50	<b>OIL INDUSTRY</b>	See Table 3	
Uniformly Loaded or Fed . . . . .	1.25	1.25	Disc . . . . .	1.00	1.25	<b>ORE CRUSHERS</b>	1.75	2.00
Heavy Duty . . . . .	1.25	1.50	Reciprocating . . . . .	1.75	2.00	<b>OVEN CONVEYORS</b>		
<b>CHEMICAL FEEDERS (Sewage)</b>	1.25	1.25	Screw . . . . .	1.25	1.50	Uniform . . . . .	1.25	1.25
<b>CLARIFIERS</b>	1.00	1.25	<b>FLIGHT CONVEYORS</b>			Heavy Duty . . . . .	1.25	1.50
<b>CLASSIFIERS</b>	1.25	1.50	Uniform . . . . .	1.25	1.25	<b>PAPER MILLS</b>	See Table 3	
<b>CLAY WORKING</b>	See Table 3		Heavy . . . . .	1.25	1.50	<b>▲ PASSENGER ELEVATORS</b>	Not Approved	
<b>COLLECTORS (Sewage)</b>	1.25	1.25	<b>FOOD INDUSTRY</b>	See Table 3		<b>PEBBLE MILLS</b>	1.50	
<b>COMPRESSORS</b>			<b>GENERATORS (Not Welding)</b>	1.00	1.25	<b>PLATE PLANERS</b>	1.75	2.00
Centrifugal . . . . .	1.25	1.25	<b>GRAVITY DISCHARGE ELEVATORS</b>	1.00	1.25	<b>PRINTING PRESSES</b>	Refer to Factory	
Lobe . . . . .	1.25	1.50	<b>HAMMER MILLS</b>	1.75	2.00	<b>PROPORTIONING PUMPS</b>	1.25	1.50
Reciprocating . . . . .						<b>PUG MILLS (Clay)</b>	1.25	1.50
Multi-Cylinder . . . . .	1.50	1.75				<b>PULLERS (Barge Haul)</b>	1.75	2.00
Single-Cylinder . . . . .	1.75	2.00						
<b>CONCRETE MIXERS</b>								
Continuous . . . . .	1.25	1.50						
Intermittent . . . . .	1.25	1.50						

▲ Selection of Rexnord products for applications whose primary purpose is the transportation of people is not approved. This includes such applications as freight or passenger elevators, escalators, man lifts, work lift platforms and ski tows and ski lifts. If the primary purpose of the application is material conveyance and occasionally people are transported, the Rexnord warranty may remain in effect provided the design load conditions are not exceeded and certification to the appropriate safety codes and load conditions has been obtained by the system designer or end user from the appropriate enforcement authorities.

■ Contact your local Rexnord representative for proper selection of a Falk RAM mixer drive.

# Load Classification Factors

**Table 5 — Class/Service Factor Conversion Table**

Class	Service Factor
I	1.00
II	1.41
III	2.00

## Load Classification Factors

UltraMax drives may be selected by Service Factor or Load Classification. Selections may vary, so compare Load Classification against Service Factor on Pages 8 or 9. Selecting the lowest Service Factor from Table 5 will result in the most economical selection.

A drive is rated to a specific application by the use of Load Classification Factors. Each application has its own conditions and operating requirements. These have been analyzed and catalogued. Numerical values, based on field experience, have been assigned to these classifications for intermittent service of 3 to 10 hours per day and for service over 10 hours per day and also for the type of prime mover . . . electric motor or engine. Values for most applications are listed by Application on Page 11, Table 7 and by Industry at right, Table 6. Refer unlisted applications to the Factory.

Since most industrial applications are electric motor driven, Load Classification Factors are based on the use of electric motors. These factors can be easily converted to engine-drive factors as outlined in Table 2, Page 8.

Load Classification Factors are based on the assumption that the system is free of dynamic vibrations, as explained in the Basic Information section, and that maximum momentary or starting loads do not exceed 200% of the rated load. Refer applications subject to repetitive shocks and applications where exceedingly high energy load must be absorbed, as when stalling, refer to the Factory for special consideration.

**Table 6 — Load Classification Factors Listed by Industry**

(For electric motor, steam turbine or hydraulic motor drives . . . recommendations are MINIMUM and normal conditions are assumed.)

Industry	Service		Industry	Service	
	3 to 10 Hour	Over 10 Hour		3 to 10 Hour	Over 10 Hour
<b>BREWING &amp; DISTILLING</b>			<b>PAPER MILLS</b>		
Bottling Machinery . . . . .	I	II	Agitator (Mixer) . . . . .	II	II
Brew Kettles, Continuous Duty . . . . .	—	II	Barker—Auxiliaries—Hyd. . . . .	—	III
Can Filling machines . . . . .	I	II	Barker, Mechanical . . . . .	—	III
Cookers—Continuous Duty . . . . .	—	II	Barking Drum . . . . .	—	III
Mash Tubs—Continuous Duty . . . . .	—	II	Beater & Pulper . . . . .	—	II
Scale Hoppers—Frequent Starts . . . . .	II	II	Bleacher . . . . .	—	II
<b>CLAY WORKING INDUSTRY</b>			◆ Calenders . . . . .	—	II
Brick Press . . . . .	III	III	◆ Calenders—Super	—	II
Briquette Machines . . . . .	III	III	Converting Mach.—Except	—	II
Clay Working Machinery . . . . .	II	II	Cutters-Platers . . . . .	—	II
Pug Mills . . . . .	II	II	Conveyors . . . . .	—	II
	See	Brewing	Couch . . . . .	—	II
<b>DISTILLING</b>			Cutters, Platers . . . . .	—	III
<b>DREDGES</b>			Cylinders . . . . .	—	II
Cable Reels . . . . .	II	—	◆ Dryers . . . . .	—	II
Conveyors . . . . .	II	—	Felt Stretchers . . . . .	—	II
Cutter Head Drives . . . . .	III	III	Felt Whippers . . . . .	—	III
Jig Drives . . . . .	III	III	Jordans . . . . .	—	II
Maneuvering Winches . . . . .	III	—	Log Haul . . . . .	—	III
Pumps . . . . .	III	III	Presses . . . . .	—	II
Screen Drives . . . . .	III	III	Pulper (Continuous) . . . . .	—	III
Stackers . . . . .	II	II	Repulper (Heavy Shock) . . . . .	—	III
Utility Winches . . . . .	II	—	Stock Chests . . . . .	—	II
<b>FOOD INDUSTRY</b>			Suction Rolls . . . . .	—	II
Beet Slicers . . . . .	II	II	Washers & Thickeners . . . . .	—	II
Bottling, Can Filling Machine . . . . .	I	II	Winders . . . . .	—	II
Cereal Cookers . . . . .	I	II	<b>RUBBER INDUSTRY</b>		
Dough Mixers, Meat Grinders . . . . .	II	II	Mixer . . . . .	III	III
<b>LUMBER INDUSTRY</b>			Rubber Calender . . . . .	II	II
Barkers—Spindle Feed . . . . .	II	III	Rubber Mill (2 or more) . . . . .	II	II
Barkers—Main Drive . . . . .	II	III	Sheeter . . . . .	II	II
Carriage Drive . . . . .	Refer to Factory	Refer to Factory	Tire Building Machines . . . . .	Refer to Factory	Refer to Factory
Conveyors . . . . .			Tire, Tube Press Openers . . . . .	Refer to Factory	Refer to Factory
Burner . . . . .	II	III	Tubers & Strainers . . . . .	II	II
Main or Heavy Duty . . . . .	II	III	<b>SEWAGE DISPOSAL</b>		
Main Log . . . . .	III	III	Aerators . . . . .	Refer to Factory	Refer to Factory
Re-Saw Merry-Go-Round . . . . .	II	III	Bar Screens . . . . .	II	II
Slab . . . . .	III	III	Chemical Feeders . . . . .	II	II
Transfer . . . . .	II	III	Collectors . . . . .	II	II
Chains—Floor . . . . .	II	III	Dewatering Screens . . . . .	II	II
Chains—Green . . . . .	II	III	Grit Collectors . . . . .	II	II
Cut-Off Saws—Chain & Drag . . . . .	II	III	Scum Breakers . . . . .	II	II
Debarking Drums . . . . .	III	III	Slow or Rapid Mixers . . . . .	II	II
Feeds—Edger . . . . .	II	III	Sludge Collectors . . . . .	II	II
Feeds—Gang . . . . .	III	III	Thickeners . . . . .	II	II
Feeds—Trimmer . . . . .	II	III	Vacuum Filters . . . . .	II	II
Log Deck . . . . .	III	III	<b>TEXTILE INDUSTRY</b>		
Log Hauls—Incline, Well Type . . . . .	III	III	Batchers, Calenders . . . . .	II	II
Log Turning Devices . . . . .	III	III	Card Machines . . . . .	II	II
Planer Feed . . . . .	II	III	Cloth Finishing Machines, Calenders, Dryers, Pads, Tenters, Washers) . . . . .	II	II
Planer Tilting Hoists . . . . .	II	III	Dry Cans . . . . .	II	II
Rolls—Live—Off Bearing—Roll Cases . . . . .	III	III	Dyeing Machinery . . . . .	II	II
Sorting Table, Trippe Hoist . . . . .	II	III	Knitting Machinery . . . . .	Refer to Factory	Refer to Factory
Transfers—Chain & Craneway Tray Drives . . . . .	II	III	Looms, Mangles, Nappers . . . . .	II	II
<b>OIL INDUSTRY</b>			Range Drives . . . . .	Refer to Factory	Refer to Factory
Chillers . . . . .	II	II	Soapers, Spinners . . . . .	II	II
Oil Well Pumping . . . . .	Refer to Factory	Refer to Factory	Tenter Frames . . . . .	II	II
Paraffin Filter Press . . . . .	II	II	Winders . . . . .	II	II
Rotary Kilns . . . . .	II	II	Yarn Preparatory Machinery, (Cards, Spinners, Slashers) . . . . .	II	II

◆ Anti-friction bearings only.

### Table 7 — Load Classification Factors Listed by Application

(For electric motor, steam turbine or hydraulic motor drives . . . recommendations are MINIMUM and normal conditions are assumed.)

Service		Service		Service		PUG MILLS (Clay)		
Application	3 to 10 Hour	Over 10 Hour	Application	3 to 10 Hour	Over 10 Hour	Application	3 to 10 Hour	Over 10 Hour
<b>AERATORS</b>	Refer to Falk		<b>CONCRETE MIXERS</b>					
<b>AGITATORS</b>			Continuous	II	II	<b>FORMING MACHINES (Metal Mills)</b>	III	III
Paper Mills	II	II	Intermittent	II	—	<b>GENERATORS (Not Welding)</b>	I	II
Pure Liquids	II	II	<b>CONVERTING MACHINES (Paper)</b>	—	II	<b>GRAVITY DISCHARGE ELEVATORS</b>	I	II
Liquids & Solids	II	II				<b>GRIT COLLECTORS (Sewage)</b>	II	II
Liquids-Variable Density	II	II	<b>▲ CONVEYORS—Uniformly Loaded or Fed:</b>			<b>HAMMER MILLS</b>	III	III
<b>APRON CONVEYORS</b>			Apron, Assembly, Belt, Bucket, Chain, Flight, Oven, Screw	II	II	<b>INDUCED DRAFT FANS</b>	II	II
Uniformly Loaded or Fed	II	II	<b>▲ CONVEYORS—Heavy Duty, Not Uniformly Fed</b>			<b>KILNS (Mills, Rotary)</b>	II	II
Heavy Duty	II	II	Apron, Assembly, Belt, Bucket, Chain, Flight, Oven, Screw	II	II	Cement	Refer to Factory	
<b>APRON FEEDERS</b>	II	II	Live Roll (Package)	II	II	<b>LAUNDRY WASHERS</b>	II	III
<b>ASSEMBLY CONVEYORS</b>			Reciprocating, Shaker	III	III	<b>LAUNDRY TUMBLERS</b>	II	II
Uniformly Loaded or Fed	II	II	<b>COOKERS (Brewing &amp; Distilling), (Food)</b>			<b>LINE SHAFTS</b>		
Heavy Duty	II	II	Refer to Factory			Heavy Shock Load	II	III
<b>BALL MILLS</b>	III	III	<b>COOLING TOWER FANS</b>	Refer to Factory		Moderate Shock Load	II	III
<b>BARGE HAUL PULLERS</b>	III	III	<b>COUCH (Paper)</b>	—	II	Uniform Load	I	II
<b>BARKING</b>			<b>▲ CRANES &amp; HOISTS</b>			<b>LIVE ROLL CONVEYORS</b>	II	II
Drums	—	III	Main Hoists			Package	II	II
Hydraulic Auxiliaries	—	III	Heavy Duty	III	III	<b>LOBE BLOWERS OR COMPRESSORS</b>	II	II
Mechanical	—	III	Medium Duty	II	II	<b>LOG HAULS (Paper &amp; Lumber)</b>	III	III
<b>BAR SCREENS (Sewage)</b>	II	II	Reversing	II	II	<b>LOOMS (Textile)</b>	II	II
<b>BATCHERS (Textile)</b>			Skip Hoists	II	II	<b>LUMBER INDUSTRY</b>	See Table 6	
<b>BEATERS &amp; PULPERS (Paper)</b>	—	II	Trolley Drive	II	II	<b>MACHINE TOOLS</b>		
<b>BELT CONVEYORS</b>			Bridge Drive	II	II	Auxiliary Drives	I	II
Uniformly Loaded or Fed	II	II	<b>CRUSHERS</b>			Bending Rolls	II	II
Heavy Duty	II	II	Ore or Stone	III	III	Main Drives	II	II
<b>BELT FEEDERS</b>	II	II	<b>CUTTERS (Paper)</b>	—	III	Notching Press (Belted)	Refer to Factory	
<b>BENDING ROLLS (Machine)</b>	II	II	<b>CYLINDERS (Paper)</b>	—	II	Plate Planers	III	III
<b>BLEACHERS (Paper)</b>	—	II	<b>DEWATERING SCREENS (Sewage)</b>	II	II	Punch Press (Geared)	III	III
<b>BLOWERS</b>			<b>DISC FEEDERS</b>			Tapping machines	III	III
Centrifugal	II	II	<b>DISTILLING</b>	See Table 6		<b>MANGLE (Textile)</b>	II	II
Lobe	II	II	<b>DOUBLE ACTING PUMPS</b>			<b>MASH TUBS (Brewing &amp; Distilling)</b>	—	II
Vane	II	II	2 or more Cylinders	II	II	<b>MEAT GRINDERS (Food)</b>	II	II
<b>BOTTLING MACHINERY</b>	I	II	Single Cylinder	Refer to Factory		<b>METAL MILLS</b>		
<b>BREWING</b>	See Table 6		<b>DOUGH MIXER (Food)</b>	II	II	Draw Bench Carriages & Main Drives	III	III
<b>BRICK PRESS (Clay Working)</b>	III	III	<b>DRAW BENCH (Metal Mills)</b>			Forming Machines	III	III
<b>BRIQUETTE MACHINES (Clay Working)</b>	III	III	Carriage & Main Drive	III	III	Pinch, Dryer & Scrubber	III	III
<b>BUCKET</b>			<b>DREDGES</b>	See Table 6		Rolls, Reversing	Refer to Factory	
Conveyors Uniform	II	II	<b>DRYERS &amp; COOLERS (Mills, Rotary)</b>	II	II	Slitters	II	II
Conveyors Heavy Duty	II	II	<b>DYEING MACHINERY (Textile)</b>	II	II	Table Conveyors	III	III
Elevators Continuous	II	II	<b>ELEVATORS</b>			Non-Reversing	Refer to Factory	
Elevators Uniform	II	II	Bucket-Uniform Load	II	II	Wire Drawing & Flattening	Refer to Factory	
Elevators Heavy Duty	II	II	Bucket-Continuous	II	II	Machines	II	III
<b>CALENDERS</b>			Centrifugal Discharge	II	II	Wire Winding Machines	II	II
Rubber	II	II	Escalators	Not Approved	Not Approved	<b>MILLS, ROTARY</b>		
Textile	II	II	Freight	Not Approved	Not Approved	Ball, Pebble, Rod	III	III
<b>CANE KNIVES</b>	II	III	Gravity Discharge	II	II	Cement Kilns	Refer to Factory	
<b>CAN FILLING MACHINES</b>	I	II	Man Lifts, Passenger	Not Approved	Not Approved	Coolers, Dryers, Kilns	II	III
<b>CARD MACHINES (Textile)</b>	II	II	<b>FANS</b>			Tumbling Barrels	III	III
<b>CAR DUMPERS</b>	III	—	Centrifugal	II	II	<b>MIXER (Also see Agitators)</b>		
<b>CAR PULLERS</b>	II	—	Cooling Towers	Refer to Factory		Concrete—Continuous	II	II
<b>CEMENT KILNS</b>	Refer to Factory		Forced Draft	II	II	Concrete—Intermittent	II	—
<b>CENTRIFUGAL</b>			Induced Draft	II	II	Constant Density	II	II
Blowers, Compressors, Discharge Elevators, Fans or Pumps	II	II	Large (Mine, etc.)	II	II	Variable Density	II	II
<b>CHAIN CONVEYORS</b>			Large Industrial	II	II	<b>NAPPERS (Textile)</b>	II	II
Uniformly Loaded or Fed	II	II	Light (Small Diameter)	I	II	<b>OIL INDUSTRY</b>	See Table 6	
Heavy Duty	II	II	<b>FEEDERS</b>			<b>ORE CRUSHERS</b>	III	III
<b>CHEMICAL FEEDERS (Sewage)</b>	I	II	Apron, Belt	II	II	<b>OVEN CONVEYORS</b>		
<b>CLARIFIERS</b>	I	II	Disc	II	II	Uniform	II	II
<b>CLASSIFIERS</b>			Reciprocating	III	III	Heavy Duty	II	II
<b>CLAY WORKING</b>	See Table 6		Screw	II	II	<b>PAPER MILLS</b>	See Table 6	
<b>COLLECTORS (Sewage)</b>	II	II	<b>FELT</b>			<b>PASSENGER ELEVATORS</b>	Not Approved	
<b>COMPRESSORS</b>			Stretchers (Paper)	—	II	<b>PEBBLE MILLS</b>	III	III
Centrifugal	II	II	Whippers (Paper)	—	III	<b>PLATE PLANERS</b>	II	III
Lobe	II	II	<b>FLIGHT CONVEYORS</b>			<b>PRESSES PAPER</b>	—	II
Reciprocating	II	II	Uniform	II	II	<b>PROPORTIONING PUMPS</b>	II	II
Multi-Cylinder	II	III	Heavy	II	II			
Single-Cylinder	III	III	<b>FOOD INDUSTRY</b>	See Table 6				

▲ Selection of Rexnord products for applications whose primary purpose is the transportation of people is not approved. This includes such applications as freight or passenger elevators, escalators, man lifts, work lift platforms and ski tows and ski lifts. If the primary purpose of the application is material conveyance and occasionally people are transported, the Rexnord warranty may remain in effect provided the design load conditions are not exceeded and certification to the appropriate safety codes and load conditions has been obtained by the system designer or end user from the appropriate enforcement authorities.

■ Contact your local Rexnord representative for proper selection of a Falk RAM mixer drive.

# How to Select/Quick Selection Method

## Selection Information

This catalog contains two methods of selection. The Quick Selection Method and the Horsepower and Torque Rating Table Method.

Before proceeding, determine which selection procedure to use. Use the Quick Selection Method if your application meets the following guidelines.

- 1750 rpm input
- Standard ratios for double, triple or quadruple reductions
- 80°F ambient at sea level (0 to 2500 ft.)

NOTE: If the above guidelines cannot be met, use the horsepower-torque rating table selection method, Page 32. Also, if you have an unusual application involving any of the following conditions refer to Pages 6 & 7.

- Excessive Overloads
- Reversing Service
- Brake Equipped Applications
- Oversized Prime Movers
- Multi-Speed or Variable Speed Applications
- Excessive Ambient Temperatures
- Thermal Rating Application Factors
- Excessive Overhung Loads or Thrust Loads
- Product Modifications
- Non-Standard Motors or Prime Movers
- Non-Standard Motor Bracket Applications
- Non-Horizontal Mounting Positions

## How to Select By Quick Selection

1. Determine Service Factor or Load Classification Factor — See Pages 8 & 9 or 10 & 11.
2. Determine Motor Horsepower
3. Determine Drive Output Speed.
4. Select Drive Size — Use Quick Selection Tables, Pages 15 thru 31; find the table for your motor horsepower and locate the correct drive size opposite the nearest output rpm and the required service factor determined in Steps 1 thru 3.
5. Select Drive Configuration — Type FC or FZ, see Pages 58 thru 61.
6. Check Minimum Cooling Required. If a required cooling accessory is not acceptable check a larger size drive
7. Check Overhung Load — Minimum allowable sprocket pitch diameters are provided for the L.S. Shaft based on the sprocket being mounted one shaft diameter from the seal cage and a service factor of unity. Where overhung load is proportional to torque; e.g., pinion, sprocket, or sheave applications, adjustment to the published values must be made based on the required service factor. The pitch diameter of the sprocket being used must not be less than the value (Pd) shown. If the sprocket is located at a distance other than one shaft diameter from the seal cage, refer to the instructions on Page 48.
8. Check External Thrust Load — Thrust loads are provided on Page 55. If thrust and overhung loads are applied simultaneously, or if loads exceed these capacities, consult the Factory.
9. Check Drive Dimensions — Pages 58 thru 61.
10. Place the Order — How to Order information on Page 14.

## Example

Application: Belt conveyor, heavy duty, head shaft speed is 40 rpm ambient temperature 100°F(38°C) at sea level.

Duty Cycle: 16 hours per day.

Driver: 50 hp electric motor, 1750 rpm.

Output: 11.3" pitch diameter sprocket with a 2:1 chain drive to the headshaft. Sprocket will be mounted 4.00" from drive seal cage.

1. Service Factor from Page 9 is 1.50.
2. Motor Horsepower is 50 hp.
3. T

he head shaft speed must be multiplied by the chain drive ratio to obtain the drive output rpm (40 rpm x 2 = 80 rpm).

4. From Page 25, in the 50 hp Quick Selection Table, the correct selection is a Size 2070F2, 20.54:1 exact ratio drive.

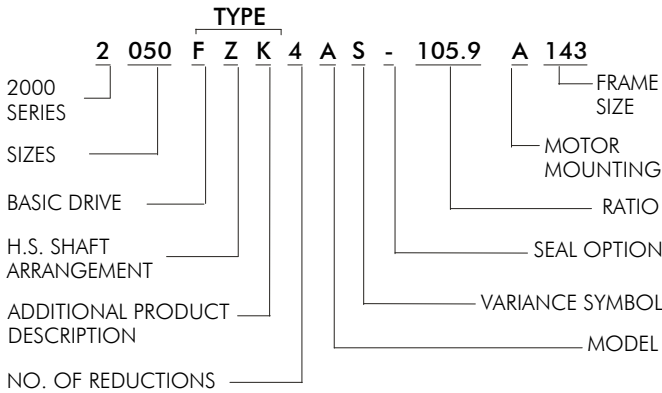
## 50 HP/1750 rpm/326T Motor

Approx. L.S. Shaft rpm	DRIVE SIZE & Reduction	Exact Ratio	HP Rating	Service Factor	Minimum Cooling Required	L.S. Shaft OHL Capacity (lb)†	Minimum L.S. Shaft Sprocket Pitch Diam
100	2060F_2	17.19	69.8	1.40	None	6500	9.69
100	2070F_2	17.33	102	2.04	None	8500	7.41
100	2080F_2	17.34	149	2.98	None	7480	8.42
84	2060F_2	21.13	59.3	1.19	None	6500	11.54
84	2070F_2	20.54	84.8	1.70	None	8500	8.82
84	2080F_2	20.98	117	2.34	None	10200	7.35
68	2070F_2	25.12	68.0	1.36	None	8500	10.90
68	2080F_2	25.17	96.7	1.93	None	11000	8.42
56	2070F_2	31.08	53.1	1.06	None	8500	13.24

5. From Page 61, the desired configuration is a Type FZ.
6. No cooling accessory is required.
7. Overhung Load Check — From the 50 hp Quick Selection Table, the minimum sprocket diameter is 8.82". This value is based on the sprocket being mounted one shaft diameter from the seal cage. Since the sprocket will be mounted 4.00" from the seal cage, refer to the Load Location Factor Table on Page 49. Opposite the 4.00" and Size 2070, find the Load Location Factor for this distance. Multiply the allowable pitch diameter by the load location factor (8.82 x 1.13) to determine the actual minimum pitch diameter. The 11.3" sprocket diameter in the example exceeds the actual minimum allowable (9.97") and is therefore acceptable.
8. Check External Thrust Load Capacity on Page 55. For this example there is no external thrust.
9. Check Dimensions on Pages 58 thru 61.
10. Place the Order. How to Order information on Page 14.

# UltraMax Drive Identification

UltraMax drives in this selection guide, product nameplates and customer orders are identified through the following nomenclature. Use the appropriate designations when placing an order or inquiring with a Rexnord representative.



## Sizes

2040 thru 2050 — Cast iron housings  
2060 thru 2130 — Fabricated steel housings

## Drive Arrangement

C — Concentric Gear Drive  
Z — Concentric Gear Drive w/ motor bracket & input coupling  
M — Concentric Gear Drive w/ motor plate & input coupling  
A — Concentric Gear Drive w/ motor adapter  
D — Concentric Gear Drive w/ motor mount

## Additional Product Description

K — Torque rated basic drive

## Reductions

2, 3, 4, etc.

## Model

A, B, C, etc.

## Variance Symbol

A — Drive w/ backstop  
B — Drive w/ shaft fan  
C — Drive w/ backstop & shaft fan  
D — Drive w/ electric fan  
E — Drive w/ electric fan & backstop  
F — Drive w/ cooling tubes  
G — Drive w/ cooling tubes & backstop  
H — Drive w/ pump & cooler (air)  
J — Drive w/ pump & cooler (air) & backstop  
K — Drive w/ pump & cooler (water)  
L — Drive w/ pump & cooler (water) & backstop  
S — Modified or special drive

## Seal Option

- — Standard Nitrile seals  
V — Viton® seals

## Ratio

Exact ratio to four digits.

## Motor Mounting

A — NEMA Foot Mounted motor, T Frame  
B — NEMA Foot Mounted motor, TS Frame  
C — NEMA "C" Face motor, T Frame  
E — NEMA "C" Face motor, TS Frame  
G — IEC Foot Mounted motor, Short (S) Frame  
H — IEC Foot Mounted motor, Medium (M) Frame  
J — IEC Foot Mounted motor, Long (L) Frame  
L — IEC B-5 ("D" flange) motor  
S — Special Motor/Motor Mounting; e.g., DC motor, Fluid Coupling.

## Motor Frame Size

NEMA 042-500 or IEC 055-1080 (Note: 108 used for IEC 1080 frame). NEMA motor frame is Falk standard.

# How to Order UltraMax Drives

The following information is required to quote or ship UltraMax drives to your requirements.

## Drive

- A. Size and Type from selection tables.
- B. Ratio.
- C. Input and/or output speed (rpm).
- D. Horsepower — Motor or brake
- E. Service Factor for application.
- F. Mounting position —Horizontal. See Page 7 for tilt limits.
- G. Auxiliary equipment — Bed plate, couplings, backstop, etc.
- H. Thrust and overhung loads —Specify type and amount.

## Motor — Prime Mover

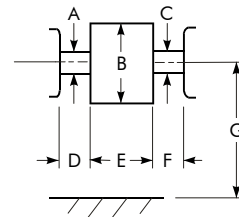
- A. Type — Motor or engine.
- B. Horsepower.
- C. Speed — rpm.
- D. Frame size — Dimension prints if Falk is to furnish mounting surface and/or mount the equipment.
- E. Motor — Weight, driver characteristics; e.g., enclosure, modifications and accessories, altitude, brake, etc.
- F. Furnished by: Rexnord... Purchaser...
- G. Fitted by: Rexnord... Purchaser...

## Driven Machine

- A. Required horsepower or torque.
- B. RPM
- C. Application description —Belt conveyor, agitator, etc.
- D. Service —Duty cycle, hours per day, reversals per minute if reversing.
- E. Ambient temperature and operating conditions — Outdoor, taconite dust, etc.

## Auxiliary Equipment

- A. Motors — If Rexnord is to furnish, specify complete information, e.g. current characteristics, enclosure, modifications, accessories, etc.
- B. Couplings — Specify size, type, driver or driven hub bore and keyway size.
- C. Backstop —Specify direction of rotation of the low speed shaft (clockwise or counter clockwise) when looking toward the drive from the low speed end.
- D. Motor Mount — Specify complete motor information, required belt centers and mounting arrangement.
- E. Motor Plate — Specify complete motor, auxiliary equipment and coupling information.
- F. Electric Fan Position
- G. Cooling Tube Water Inlet & Outlet Position
- H. Coupling Guards — Furnish description of couplings or other equipment to be guarded and all dimensions A-G below.
- J. Motor Bracket — Specify complete motor information including motor weight, auxiliary equipment and coupling information.



B & E...Max Cplg Dim  
D & F...Exposed Shaft

# Quick Selection Tables

## 1 HP/1750 rpm/143T Motor★

Approx. L.S. Shaft rpm	DRIVE SIZE & Reduction	Exact Ratio	HP Rating	Service Factor	Minimum Cooling Required	L.S. Shaft OHL Capacity (lb)†	Minimum L.S. Shaft Sprocket Pitch Dia‡	Motors are available from Falk or Falk Distributors.
11.0	2040F_3	159.4	2.50	2.50	None	3400	3.37	1 HP/143T Motor
6.0	2050F_4	286.1	2.49	2.49	None	5250	4.00	Energy Efficient Motor
5.0	2050F_4	343.3	2.08	2.08	None	5250	4.80	Falk Part No. 2918104
4.0	2050F_4	417.1	1.71	1.71	None	5250	6.00	TEFC, 1750 rpm
4.0	2060F_4	449.4	2.80	2.80	None	6500	4.85	208-230/460 Volts,
3.2	2050F_4	508.3	1.40	1.40	None	5250	7.50	3 Phase, 60 Hz,
3.2	2060F_4	543.0	2.32	2.32	None	6500	6.06	NEMA B,
2.7	2060F_4	649.5	1.94	1.94	None	6500	7.18	1.15 Service Factor
2.7	2070F_4	641.4	2.81	2.81	None	8500	5.49	Premium Efficiency Motor
2.2	2060F_4	795.9	1.58	1.58	None	6500	8.81	Falk Part No. 2918124
2.2	2070F_4	785.9	2.29	2.29	None	8500	6.74	TEFC, 1750 rpm
2.2	2080F_4	772.8	2.86	2.86	None	11000	5.21	230/460 Volts,
1.8	2060F_4	965.5	1.30	1.30	None	6500	10.77	3 Phase, 60 Hz,
1.8	2070F_4	961.2	1.86	1.86	None	8500	8.24	NEMA B,
1.8	2080F_4	927.2	2.25	2.25	None	11000	6.36	1.15 Service Factor

Motors meeting other specifications are available upon request.

## 1.5 HP/1750 rpm/145T Motor★

Approx. L.S. Shaft rpm	DRIVE SIZE & Reduction	Exact Ratio	HP Rating	Service Factor	Minimum Cooling Required	L.S. Shaft OHL Capacity (lb)†	Minimum L.S. Shaft Sprocket Pitch Dia‡	Motors are available from Falk or Falk Distributors.
16.5	2040F_3	105.0	3.80	2.53	None	3400	3.37	1.5 HP/145T Motor
13.5	2040F_3	125.0	3.16	2.11	None	3400	4.12	Energy Efficient Motor
11.0	2040F_3	159.4	2.50	1.67	None	3400	5.05	Falk Part No. 2918105
9.0	2050F_4	187.5	3.53	2.35	None	5250	4.00	TEFC, 1750 rpm
7.5	2050F_4	231.5	3.08	2.05	None	5250	4.80	230/460 Volts,
6.0	2050F_4	286.1	2.49	1.66	None	5250	6.00	3 Phase, 60 Hz,
6.0	2060F_4	296.3	4.24	2.83	None	6500	4.85	NEMA B,
5.0	2050F_4	343.3	2.08	1.39	None	5250	7.20	1.15 Service Factor
5.0	2060F_4	363.2	3.46	2.31	None	6500	5.82	Premium Efficiency Motor
4.0	2050F_4	417.1	1.71	1.14	None	5250	9.00	Falk Part No. 2918125
4.0	2060F_4	449.4	2.80	1.87	None	6500	7.27	TEFC, 1750 rpm
4.0	2070F_4	443.8	4.06	2.71	None	8500	5.56	230/460 Volts,
3.2	2060F_4	543.0	2.32	1.55	None	6500	9.09	3 Phase, 60 Hz,
3.2	2070F_4	542.7	3.30	2.20	None	8500	6.95	NEMA B,
3.2	2080F_4	523.5	3.98	2.65	None	11000	5.37	1.15 Service Factor
2.7	2060F_4	649.5	1.94	1.29	None	6500	10.77	Premium Efficiency Motor
2.7	2070F_4	641.4	2.81	1.87	None	8500	8.24	Falk Part No. 2918125
2.7	2080F_4	638.7	4.14	2.76	None	11000	6.36	TEFC, 1750 rpm
2.2	2060F_4	795.9	1.58	1.05	None	6500	13.22	230/460 Volts,
2.2	2070F_4	785.9	2.29	1.53	None	8500	10.11	3 Phase, 60 Hz,
2.2	2080F_4	772.8	2.86	1.91	None	11000	7.81	NEMA B,
1.8	2070F_4	961.2	1.86	1.24	None	8500	12.35	1.15 Service Factor
1.8	2080F_4	927.2	2.25	1.50	None	11000	9.55	Premium Efficiency Motor
1.8	2090F_4	945.2	4.44	2.96	None	14000	7.50	Falk Part No. 2918125

Motors meeting other specifications are available upon request.

★ Drive selections found in the Quick Selection Tables are based on an ambient temperature of 80°F(27°C) at sea level (0 to 2500 ft.). If the environmental factors differ for your specific application, the application adjusted thermal rating must be calculated to verify the drive selection. See the Quick Selection example on Page 12 and the application adjusted thermal rating procedure on Page 42.

† Published values of overhung load and sprocket pitch diameter are for loads applied one shaft diameter from the seal cage with a service factor of unity. Where overhung load is proportional to torque (i.e. pinion, sprocket, or sheave applications) adjustment to the published values must be made based on the minimum required service factor. Refer to Page 48 for additional information.

# Quick Selection Tables

## 2 HP/1750 rpm/145T Motor\*

Approx. L.S. Shaft rpm	DRIVE SIZE & Reduction	Exact Ratio	HP Rating	Service Factor	Minimum Cooling Required	L.S. Shaft OHL Capacity (lb)†	Minimum L.S. Shaft Sprocket Pitch Dia‡	
25.0	2040F_3	69.99	5.69	2.85	None	3400	2.96	Motors are available from Falk or Falk Distributors.
20.0	2040F_3	82.37	4.79	2.40	None	3400	3.71	
16.5	2040F_3	105.0	3.80	1.90	None	3400	4.49	
13.5	2040F_3	125.0	3.16	1.58	None	3400	5.49	
13.5	2050F_3	127.7	5.58	2.79	None	5250	3.56	
11.0	2040F_3	159.4	2.50	1.25	None	3400	6.74	
11.0	2050F_3	156.9	4.54	2.27	None	5250	4.36	
9.0	2050F_4	187.5	3.53	1.77	None	5250	5.33	
7.5	2050F_4	231.5	3.08	1.54	None	5250	6.40	
7.5	2060F_4	239.6	5.17	2.59	None	6500	5.17	
6.0	2050F_4	286.1	2.49	1.25	None	5250	8.00	
6.0	2060F_4	296.3	4.24	2.12	None	6500	6.46	
5.0	2050F_4	343.3	2.08	1.04	None	5250	9.60	
5.0	2060F_4	363.2	3.46	1.73	None	6500	7.75	
5.0	2070F_4	358.7	5.03	2.52	None	8500	5.93	
4.0	2060F_4	449.4	2.80	1.40	None	6500	9.69	
4.0	2070F_4	443.8	4.06	2.03	None	8500	7.41	
4.0	2080F_4	436.4	5.06	2.53	None	11000	5.73	
3.2	2060F_4	543.0	2.32	1.16	None	6500	12.12	
3.2	2070F_4	542.7	3.30	1.65	None	8500	9.26	
3.2	2080F_4	523.5	3.98	1.99	None	11000	7.16	
2.7	2070F_4	641.4	2.81	1.41	None	8500	10.98	
2.7	2080F_4	638.7	4.14	2.07	None	11000	8.48	
2.2	2070F_4	785.9	2.29	1.15	None	8500	13.48	
2.2	2080F_4	772.8	2.86	1.43	None	11000	10.41	
2.2	2090F_4	783.1	5.36	2.68	None	14000	8.18	
1.8	2080F_4	927.2	2.25	1.13	None	11000	12.73	
1.8	2090F_4	945.2	4.44	2.22	None	14000	10.00	
1.8	2100F_4	999.9	5.88	2.94	None	17000	8.24	

Motors are available from Falk or Falk Distributors.

2 HP/145T Motor

Energy Efficient Motor  
Falk Part No. 2918106  
TEFC, 1750 rpm  
208-230/460 Volts,  
3 Phase, 60 Hz,  
NEMA B,  
1.15 Service Factor

Premium Efficiency Motor  
Falk Part No. 2918126  
TEFC, 1750 rpm  
230/460 Volts,  
3 Phase, 60 Hz,  
NEMA B,  
1.15 Service Factor

Motors meeting other specifications are available upon request.

## 3 HP/1750 rpm/182T Motor\*

Approx. L.S. Shaft rpm	DRIVE SIZE & Reduction	Exact Ratio	HP Rating	Service Factor	Minimum Cooling Required	L.S. Shaft OHL Capacity (lb)†	Minimum L.S. Shaft Sprocket Pitch Dia‡	
37.0	2040F_3	45.86	8.67	2.89	None	3400	3.00	Motors are available from Falk or Falk Distributors.
30.0	2040F_3	57.62	6.91	2.30	None	3400	3.71	
25.0	2040F_3	69.99	5.69	1.90	None	3400	4.45	
20.0	2040F_3	82.37	4.79	1.60	None	3400	5.56	
20.0	2050F_3	84.70	8.41	2.80	None	5250	3.60	
16.5	2040F_3	105.0	3.80	1.27	None	3400	6.74	
16.5	2050F_3	104.1	6.85	2.28	None	5250	4.36	
13.5	2040F_3	125.0	3.16	1.05	None	3400	8.24	
13.5	2050F_3	127.7	5.58	1.86	None	5250	5.33	
11.0	2050F_3	156.9	4.54	1.51	None	5250	6.55	
11.0	2060F_3	156.7	7.96	2.65	None	6500	5.29	
9.0	2050F_4	187.5	3.53	1.18	None	5250	8.00	
9.0	2060F_3	190.1	6.62	2.21	None	6500	6.46	
7.5	2050F_4	231.5	3.08	1.03	None	5250	9.60	
7.5	2060F_4	239.6	5.17	1.72	None	6500	7.75	
7.5	2070F_4	236.6	7.62	2.54	None	8500	5.93	
6.0	2060F_4	296.3	4.24	1.41	None	6500	9.69	
6.0	2070F_4	292.6	6.16	2.05	None	8500	7.41	
5.0	2060F_4	363.2	3.46	1.15	None	6500	11.63	
5.0	2070F_4	358.7	5.03	1.68	None	8500	8.89	
5.0	2080F_4	360.7	7.32	2.44	None	11000	6.87	
4.0	2070F_4	443.8	4.06	1.35	None	8500	11.12	
4.0	2080F_4	436.4	5.06	1.69	None	11000	8.59	
3.2	2070F_4	542.7	3.30	1.10	None	8500	13.90	
3.2	2080F_4	523.5	3.98	1.33	None	11000	10.74	
3.2	2090F_4	533.7	7.86	2.62	None	14000	8.44	
2.7	2080F_4	638.7	4.14	1.38	None	11000	12.73	
2.7	2090F_4	644.9	6.50	2.17	None	14000	10.00	
2.7	2100F_4	660.4	8.90	2.97	None	17000	8.24	
2.2	2090F_4	783.1	5.36	1.79	None	14000	12.27	
2.2	2100F_4	844.5	6.90	2.30	None	17000	10.11	
1.8	2090F_4	945.2	4.44	1.48	None	14000	15.00	
1.8	2100F_4	999.9	5.88	1.96	None	17000	12.35	
1.8	2110F_4	967.6	8.75	2.92	None	18500	11.35	

Motors are available from Falk or Falk Distributors.

3 HP/182T Motor

Energy Efficient Motor  
Falk Part No. 2918107  
TEFC, 1750 rpm  
208-230/460 Volts,  
3 Phase, 60 Hz,  
NEMA B,  
1.15 Service Factor

Premium Efficiency Motor  
Falk Part No. 2918127  
TEFC, 1750 rpm  
230/460 Volts,  
3 Phase, 60 Hz,  
NEMA B,  
1.15 Service Factor

Motors meeting other specifications are available upon request.

(See footnotes on Page 15.)



## 5 HP/1750 rpm/184T Motor\*

Approx. L.S. Shaft rpm	DRIVE SIZE & Reduction	Exact Ratio	HP Rating	Service Factor	Minimum Cooling Required	L.S. Shaft OHL Capacity (lb)†	Minimum L.S. Shaft Sprocket Pitch Dia†	
68.0	2040F_2	25.25	14.6	2.92	None	3400	2.72	
56.0	2040F_2	29.43	12.8	2.56	None	3400	3.31	
45.0	2040F_3	38.08	10.4	2.08	None	3400	4.12	
37.0	2040F_3	45.86	8.67	1.73	None	3400	5.01	
30.0	2040F_3	57.62	6.91	1.38	None	3400	6.18	
30.0	2050F_3	55.63	12.8	2.56	None	5250	4.00	
25.0	2040F_3	69.99	5.69	1.14	None	3400	7.41	
25.0	2050F_3	68.61	10.4	2.08	None	5250	4.80	
20.0	2050F_3	84.70	8.41	1.68	None	5250	6.00	
20.0	2060F_3	85.69	14.7	2.94	None	6500	4.85	Motors are available from Falk or Falk Distributors.
16.5	2050F_3	104.1	6.85	1.37	None	5250	7.27	
16.5	2060F_3	106.5	11.4	2.28	None	6500	5.87	
13.5	2050F_3	127.7	5.58	1.12	None	5250	8.89	5 HP/184T Motor
13.5	2060F_3	131.3	9.54	1.91	None	6500	7.18	
13.5	2070F_3	129.6	13.9	2.78	None	8500	5.49	Energy Efficient Motor Falk Part No. 2918108
11.0	2060F_3	156.7	7.96	1.59	None	6500	8.81	TEFC, 1750 rpm
11.0	2070F_3	151.1	11.9	2.38	None	8500	6.74	208-230/460 Volts,
9.0	2060F_3	190.1	6.62	1.32	None	6500	10.77	3 Phase, 60 Hz,
9.0	2070F_3	184.8	9.65	1.93	None	8500	8.24	NEMA B,
9.0	2080F_4	192.3	13.7	2.74	None	11000	6.36	1.15 Service Factor
7.5	2060F_4	239.6	5.17	1.03	None	6500	12.92	
7.5	2070F_4	236.6	7.62	1.52	None	8500	9.88	Premium Efficiency Motor Falk Part No. 2918128
7.5	2080F_4	237.8	11.1	2.22	None	11000	7.64	TEFC, 1750 rpm
6.0	2070F_4	292.6	6.16	1.23	None	8500	12.35	230/460 Volts,
6.0	2080F_4	291.5	9.06	1.81	None	11000	9.55	3 Phase, 60 Hz,
6.0	2090F_4	284.5	14.7	2.94	None	14000	7.50	NEMA B,
5.0	2070F_4	358.7	5.03	1.01	None	8500	14.82	1.15 Service Factor
5.0	2080F_4	360.7	7.32	1.46	None	11000	11.45	
5.0	2090F_4	351.9	11.9	2.38	None	14000	9.00	
4.0	2080F_4	436.4	5.06	1.01	None	11000	14.32	
4.0	2090F_4	431.4	9.72	1.94	None	14000	11.25	Motors meeting other specifications are available upon request.
4.0	2100F_4	437.6	13.4	2.68	None	17000	9.26	
3.2	2090F_4	533.7	7.86	1.57	None	14000	14.06	
3.2	2100F_4	518.1	11.3	2.26	None	17000	11.58	
2.7	2090F_4	644.9	6.50	1.30	None	14000	16.67	
2.7	2100F_4	660.4	8.90	1.78	None	17000	13.73	
2.7	2110F_4	653.6	12.9	2.58	None	18500	12.61	
2.2	2090F_4	783.1	5.36	1.07	None	14000	20.45	
2.2	2100F_4	844.5	6.90	1.38	None	17000	16.84	
2.2	2110F_4	791.4	11.1	2.22	None	18500	15.48	
2.2	2120F_4	783.6	14.8	2.96	None	19000	15.07	
1.8	2100F_4	999.9	5.88	1.18	None	17000	20.59	
1.8	2110F_4	967.6	8.75	1.75	None	18500	18.92	
1.8	2120F_4	961.3	12.1	2.42	None	19000	18.42	

(See footnotes on Page 15.)

# Quick Selection Tables

## 7.5 HP/1750 rpm/213T Motor\*

Approx. L.S. Shaft rpm	DRIVE SIZE & Reduction	Exact Ratio	HP Rating	Service Factor	Minimum Cooling Required	L.S. Shaft OHL Capacity (lb)†	Minimum L.S. Shaft Sprocket Pitch Dia‡
84.0	2040F_2	19.81	19.3	2.57	None	3400	3.31
68.0	2040F_2	25.25	14.6	1.95	None	3400	4.09
56.0	2040F_2	29.43	12.8	1.71	None	3400	4.96
45.0	2040F_3	38.08	10.4	1.39	None	3400	6.18
45.0	2050F_3	37.57	18.9	2.52	None	5250	4.00
37.0	2040F_3	45.86	8.67	1.16	None	3400	7.51
37.0	2050F_3	45.64	15.6	2.08	None	5250	4.86
30.0	2050F_3	55.63	12.8	1.71	None	5250	6.00
30.0	2060F_3	56.62	22.2	2.96	None	6500	4.85
25.0	2050F_3	68.61	10.4	1.39	None	5250	7.20
25.0	2060F_3	70.64	17.1	2.28	None	6500	5.82
20.0	2050F_3	84.70	8.41	1.12	None	5250	9.00
20.0	2060F_3	85.69	14.7	1.96	None	6500	7.27
20.0	2070F_3	86.43	20.8	2.77	None	8500	5.56
16.5	2060F_3	106.5	11.4	1.52	None	6500	8.81
16.5	2070F_3	101.7	17.7	2.36	None	8500	6.74
13.5	2060F_3	131.3	9.54	1.27	None	6500	10.77
13.5	2070F_3	129.6	13.9	1.85	None	8500	8.24
13.5	2080F_3	130.4	19.9	2.65	None	11000	6.36
11.0	2060F_3	156.7	7.96	1.06	None	6500	13.22
11.0	2070F_3	151.1	11.9	1.59	None	8500	10.11
11.0	2080F_3	156.4	16.3	2.17	None	11000	7.81
9.0	2070F_3	184.8	9.65	1.29	None	8500	12.35
9.0	2080F_4	192.3	13.7	1.83	None	11000	9.55
9.0	2090F_3	193.6	21.6	2.88	None	14000	7.50
7.5	2070F_4	236.6	7.62	1.02	None	8500	14.82
7.5	2080F_4	237.8	11.1	1.48	None	11000	11.45
7.5	2090F_4	236.7	17.7	2.36	None	14000	9.00
6.0	2080F_4	291.5	9.06	1.21	None	11000	14.32
6.0	2090F_4	284.5	14.7	1.96	None	14000	11.25
6.0	2100F_4	306.1	19.2	2.56	None	17000	9.26
5.0	2090F_4	351.9	11.9	1.59	None	14000	13.50
5.0	2100F_4	371.9	15.8	2.11	None	17000	11.12
4.0	2090F_4	431.4	9.72	1.30	None	14000	16.88
4.0	2100F_4	437.6	13.4	1.79	None	17000	13.90
4.0	2110F_4	434.9	20.1	2.68	None	18500	12.77
3.2	2090F_4	533.7	7.86	1.05	None	14000	21.09
3.2	2100F_4	518.1	11.3	1.51	None	17000	17.37
3.2	2110F_4	531.7	15.9	2.12	None	18500	15.96
3.2	2120F_4	535.7	21.7	2.89	None	19000	15.54
2.7	2100F_4	660.4	8.90	1.19	None	17000	20.59
2.7	2110F_4	653.6	12.9	1.72	None	18500	18.92
2.7	2120F_4	657.2	17.7	2.36	None	19000	18.42
2.2	2110F_4	791.4	11.1	1.48	None	18500	23.22
2.2	2120F_4	783.6	14.8	1.97	None	19000	22.61
2.2	2130F_4	782.8	18.3	2.44	None	22500	19.09
1.8	2110F_4	967.6	8.75	1.17	None	18500	28.38
1.8	2120F_4	961.3	12.1	1.61	None	19000	27.63
1.8	2130F_4	940.9	15.4	2.05	None	22500	23.33

Motors are available from Falk or Falk Distributors.

7.5 HP/213T Motor

Energy Efficient Motor  
Falk Part No. 2918109  
TEFC, 1750 rpm  
208-230/460 Volts,  
3 Phase, 60 Hz,  
NEMA B,  
1.15 Service Factor

Premium Efficiency Motor  
Falk Part No. 2918129  
TEFC, 1750 rpm  
230/460 Volts,  
3 Phase, 60 Hz,  
NEMA B,  
1.15 Service Factor

Motors meeting other specifications are available upon request.

(See footnotes on Page 15.)

# 10 HP/1750 rpm/215T Motor★

Approx. L.S. Shaft rpm	DRIVE SIZE & Reduction	Exact Ratio	HP Rating	Service Factor	Minimum Cooling Required	L.S. Shaft OHL Capacity (lb)†	Minimum L.S. Shaft Sprocket Pitch Dia†
420	2040F_2	4.120	28.5	2.85	None	2530	1.19
380	2040F_2	4.655	28.5	2.85	None	2650	1.25
125	2040F_2	13.86	28.1	2.81	None	3030	3.33
100	2040F_2	16.83	23.3	2.33	None	3030	4.16
84.0	2040F_2	19.81	19.3	1.93	None	3400	4.41
68.0	2040F_2	25.25	14.6	1.46	None	3400	5.45
68.0	2050F_2	25.27	28.0	2.80	None	5250	3.53
56.0	2040F_2	29.43	12.8	1.28	None	3400	6.62
56.0	2050F_2	30.16	23.5	2.35	None	5250	4.29
45.0	2040F_3	38.08	10.4	1.04	None	3400	8.24
45.0	2050F_3	37.57	18.9	1.89	None	5250	5.33
37.0	2050F_3	45.64	15.6	1.56	None	5250	6.49
37.0	2060F_3	46.65	26.9	2.69	None	6500	5.24
30.0	2050F_3	55.63	12.8	1.28	None	5250	8.00
30.0	2060F_3	56.62	22.2	2.22	None	6500	6.46
25.0	2050F_3	68.61	10.4	1.04	None	5250	9.60
25.0	2060F_3	70.64	17.1	1.71	None	6500	7.75
25.0	2070F_3	71.14	25.3	2.53	None	8500	5.93
20.0	2060F_3	85.69	14.7	1.47	None	6500	9.69
20.0	2070F_3	86.43	20.8	2.08	None	8500	7.41
16.5	2060F_3	106.5	11.4	1.14	None	6500	11.75
16.5	2070F_3	101.7	17.7	1.77	None	8500	8.98
16.5	2080F_3	107.7	23.8	2.38	None	11000	6.94
13.5	2070F_3	129.6	13.9	1.39	None	8500	10.98
13.5	2080F_3	130.4	19.9	1.99	None	11000	8.48
11.0	2070F_3	151.1	11.9	1.19	None	8500	13.48
11.0	2080F_3	156.4	16.3	1.63	None	11000	10.41
11.0	2090F_3	157.5	26.6	2.66	None	14000	8.18
9.0	2080F_4	192.3	13.7	1.37	None	11000	12.73
9.0	2090F_4	193.6	21.6	2.16	None	14000	10.00
9.0	2100F_4	202.3	28.9	2.89	None	17000	8.24
7.5	2080F_4	237.8	11.1	1.11	None	11000	15.27
7.5	2090F_4	236.7	17.7	1.77	None	14000	12.00
7.5	2100F_4	243.7	24.1	2.41	None	17000	9.88
6.0	2090F_4	284.5	14.7	1.47	None	14000	15.00
6.0	2100F_4	306.1	19.2	1.92	None	17000	12.35
5.0	2090F_4	351.9	11.9	1.19	None	14000	18.00
5.0	2100F_4	371.9	15.8	1.58	None	17000	14.82
5.0	2110F_4	352.3	24.8	2.48	None	18500	13.62
4.0	2100F_4	437.6	13.4	1.34	None	17000	18.53
4.0	2110F_4	434.9	20.1	2.01	None	18500	17.03
4.0	2120F_4	445.7	26.0	2.60	None	19000	16.58
3.2	2100F_4	518.1	11.3	1.13	None	17000	23.16
3.2	2110F_4	531.7	15.9	1.59	None	18500	21.28
3.2	2120F_4	535.7	21.7	2.17	None	19000	20.72
2.7	2110F_4	653.6	12.9	1.29	None	18500	25.23
2.7	2120F_4	657.2	17.7	1.77	None	19000	24.56
2.7	2130F_4	643.3	25.9	2.59	None	22500	20.74
2.2	2110F_4	791.4	11.1	1.11	None	18500	30.96
2.2	2120F_4	783.6	14.8	1.48	None	19000	30.14
2.2	2130F_4	782.8	18.3	1.83	None	22500	25.45
1.8	2120F_4	961.3	12.1	1.21	None	19000	36.84
1.8	2130F_4	940.9	15.4	1.54	None	22500	31.11

Motors are available from Falk or Falk Distributors.

10 HP/215T Motor

Energy Efficient Motor  
Falk Part No. 2918110  
TEFC, 1750 rpm  
208-230/460 Volts,  
3 Phase, 60 Hz,  
NEMA B,  
1.15 Service Factor

Premium Efficiency Motor  
Falk Part No. 2918130  
TEFC, 1750 rpm  
230/460 Volts,  
3 Phase, 60 Hz,  
NEMA B,  
1.15 Service Factor

Motors meeting other specifications are available upon request.

(See footnotes on Page 15.)

# Quick Selection Tables

## 15 HP/1750 rpm/254T Motor\*

Approx. L.S. Shaft rpm	DRIVE SIZE & Reduction	Exact Ratio	HP Rating	Service Factor	Minimum Cooling Required	L.S. Shaft OHL Capacity (lb)†	Minimum L.S. Shaft Sprocket Pitch Dia†
640	2040F_2	2.723	39.8	2.65	None	2380	1.24
575	2040F_2	3.076	39.8	2.65	None	2380	1.38
520	2040F_2	3.279	34.7	2.31	None	2530	1.44
470	2040F_2	3.705	34.7	2.31	None	2530	1.59
420	2040F_2	4.120	28.5	1.90	None	2530	1.78
380	2040F_2	4.655	28.5	1.90	None	2650	1.88
230	2040F_2	7.368	44.7	2.98	None	2380	3.45
190	2040F_2	9.158	38.2	2.55	None	2670	3.73
155	2040F_2	11.03	33.3	2.22	None	2840	4.29
125	2040F_2	13.86	28.1	1.87	None	3030	4.99
100	2040F_2	16.83	23.3	1.55	None	3030	6.24
100	2050F_2	16.65	42.3	2.82	None	4370	4.32
84	2040F_2	19.81	19.3	1.29	None	3400	6.62
84	2050F_2	20.56	34.4	2.29	None	5120	4.39
68	2050F_2	25.27	28.0	1.87	None	5250	5.29
56	2050F_2	30.16	23.5	1.57	None	5250	6.43
56	2060F_2	31.69	39.7	2.65	None	6500	5.19
45	2050F_3	37.57	18.9	1.26	None	5250	8.00
45	2060F_3	38.46	32.3	2.15	None	6500	6.46
37	2050F_3	45.64	15.6	1.04	None	5250	9.73
37	2060F_3	46.65	26.9	1.79	None	6500	7.86
37	2070F_3	46.27	37.8	2.52	None	8500	6.01
30	2060F_3	56.62	22.2	1.48	None	6500	9.69
30	2070F_3	56.63	31.7	2.11	None	8500	7.41
30	2080F_3	57.56	44.9	2.99	None	11000	5.73
25	2060F_3	70.64	17.1	1.14	None	6500	11.63
25	2070F_3	71.14	25.3	1.69	None	8500	8.89
25	2080F_3	69.64	36.9	2.46	None	11000	6.87
20	2070F_3	86.43	20.8	1.39	None	8500	11.12
20	2080F_3	87.65	30.1	2.01	None	11000	8.59
16.5	2070F_3	101.7	17.7	1.18	None	8500	13.48
16.5	2080F_3	107.7	23.8	1.59	None	11000	10.41
16.5	2090F_3	103.4	40.4	2.69	None	14000	8.18
13.5	2080F_3	130.4	19.9	1.33	None	11000	12.73
13.5	2090F_3	129.7	32.3	2.15	None	14000	10.00
13.5	2100F_3	133.8	43.8	2.92	None	17000	8.24
11.0	2080F_3	156.4	16.3	1.09	None	11000	15.62
11.0	2090F_3	157.5	26.6	1.77	None	14000	12.27
11.0	2100F_3	158.4	37.0	2.47	None	17000	10.11
9.0	2090F_3	193.6	21.6	1.44	None	14000	15.00
9.0	2100F_4	202.3	28.9	1.93	None	17000	12.35
7.5	2090F_4	236.7	17.7	1.18	None	14000	18.00
7.5	2100F_4	243.7	24.1	1.61	None	17000	14.82
7.5	2110F_4	234.3	37.3	2.49	None	18500	13.62
6.0	2100F_4	306.1	19.2	1.28	None	17000	18.53
6.0	2110F_4	285.6	30.6	2.04	None	18500	17.03
6.0	2120F_4	292.7	39.6	2.64	None	19000	16.58
5.0	2100F_4	371.9	15.8	1.05	None	17000	22.24
5.0	2110F_4	352.3	24.8	1.65	None	18500	20.43
5.0	2120F_4	361.0	32.1	2.14	None	19000	19.89
4.0	2110F_4	434.9	20.1	1.34	None	18500	25.54
4.0	2120F_4	445.7	26.0	1.73	None	19000	24.87
4.0	2130F_4	433.5	38.5	2.57	None	22500	21.00
3.2	2110F_4	531.7	15.9	1.06	None	18500	31.93
3.2	2120F_4	535.7	21.7	1.45	None	19000	31.09
3.2	2130F_4	535.1	31.1	2.07	None	22500	26.25
2.7	2120F_4	657.2	17.7	1.18	None	19000	36.84
2.7	2130F_4	643.3	25.9	1.73	None	22500	31.11
2.2	2130F_4	782.8	18.3	1.22	None	22500	38.18
1.8	2130F_4	940.9	15.4	1.03	None	22500	46.67

Motors are available from Falk or Falk Distributors.

15 HP/254T Motor

Energy Efficient Motor  
Falk Part No. 2918111  
TEFC, 1750 rpm  
230/460 Volts,  
3 Phase, 60 Hz,  
NEMA B,  
1.15 Service Factor

Premium Efficiency Motor  
Falk Part No. 2918131  
TEFC, 1750 rpm  
230/460 Volts,  
3 Phase, 60 Hz,  
NEMA B,  
1.15 Service Factor

Motors meeting other specifications are available upon request.

(See footnotes on Page 15.)

## 20 HP/1750 rpm/256T Motor\*

Approx. L.S. Shaft rpm	DRIVE SIZE & Reduction	Exact Ratio	HP Rating	Service Factor	Minimum Cooling Required	L.S. Shaft OHL Capacity (lb)†	Minimum L.S. Shaft Sprocket Pitch Dia†
1170	2040F_2	1.465	57.6	2.88	None	2030	1.06
950	2040F_2	1.820	50.8	2.54	None	2040	1.30
860	2040F_2	2.057	50.8	2.54	None	2150	1.36
780	2040F_2	2.191	50.1	2.50	None	2200	1.47
700	2040F_2	2.475	45.4	2.27	None	2290	1.57
640	2040F_2	2.723	39.8	1.99	None	2380	1.65
575	2040F_2	3.076	39.8	1.99	None	2380	1.84
520	2040F_2	3.279	34.7	1.74	None	2530	1.92
470	2040F_2	3.705	34.7	1.74	None	2530	2.12
420	2040F_2	4.120	28.5	1.43	None	2530	2.37
420	2050F_2	4.001	56.7	2.84	None	2730	2.20
380	2040F_2	4.655	28.5	1.43	None	2650	2.50
350	2040F_2	4.929	57.6	2.88	None	2260	3.19
280	2040F_2	6.122	50.8	2.54	None	2280	3.95
230	2040F_2	7.368	44.7	2.24	None	2380	4.60
190	2040F_2	9.158	38.2	1.91	None	2670	4.97
155	2040F_2	11.03	33.3	1.67	None	2840	5.72
125	2040F_2	13.86	28.1	1.41	None	3030	6.65
125	2050F_2	13.50	52.1	2.61	None	4370	4.61
100	2040F_2	16.83	23.3	1.17	None	3030	8.32
100	2050F_2	16.65	42.3	2.12	None	4370	5.77
84	2050F_2	20.56	34.4	1.72	None	5120	5.86
84	2060F_2	21.13	59.3	2.97	None	6500	4.62
68	2050F_2	25.27	28.0	1.40	None	5250	7.06
68	2060F_2	25.63	49.0	2.45	None	6500	5.70
56	2050F_2	30.16	23.5	1.18	None	5250	8.57
56	2060F_2	31.69	39.7	1.99	None	6500	6.92
56	2070F_2	31.08	53.1	2.66	None	8500	5.29
45	2060F_3	38.46	32.3	1.62	None	6500	8.62
45	2070F_3	37.83	46.2	2.31	None	8500	6.59
37	2060F_3	46.65	26.9	1.35	None	6500	10.48
37	2070F_3	46.27	37.8	1.89	None	8500	8.01
37	2080F_3	47.23	53.9	2.70	None	11000	6.19
30	2060F_3	56.62	22.2	1.11	None	6500	12.92
30	2070F_3	56.63	31.7	1.59	None	8500	9.88
30	2080F_3	57.56	44.9	2.25	None	11000	7.64
25	2070F_3	71.14	25.3	1.27	None	8500	11.86
25	2080F_3	69.64	36.9	1.85	None	11000	9.16
25	2090F_3	69.86	59.8	2.99	None	14000	7.20
20	2070F_3	86.43	20.8	1.04	None	8500	14.82
20	2080F_3	87.65	30.1	1.51	None	11000	11.45
20	2090F_3	85.18	49.1	2.46	None	14000	9.00
16.5	2080F_3	107.7	23.8	1.19	None	11000	13.88
16.5	2090F_3	103.4	40.4	2.02	None	14000	10.91
16.5	2100F_3	104.6	56.0	2.80	None	17000	8.98
13.5	2080F_3	130.4	19.9	1.00	None	11000	16.97
13.5	2090F_3	129.7	32.3	1.62	None	14000	13.33
13.5	2100F_3	133.8	43.8	2.19	None	17000	10.98
11.0	2090F_3	157.5	26.6	1.33	None	14000	16.36
11.0	2100F_3	158.4	37.0	1.85	None	17000	13.48
11.0	2110F_3	155.7	53.8	2.69	None	18500	12.38
9.0	2090F_3	193.6	21.6	1.08	None	14000	20.00
9.0	2100F_4	202.3	28.9	1.45	None	17000	16.47
9.0	2110F_4	192.9	45.3	2.27	None	18500	15.14
9.0	2120F_4	197.7	58.6	2.93	None	19000	14.74
7.5	2100F_4	243.7	24.1	1.21	None	17000	19.76
7.5	2110F_4	234.3	37.3	1.87	None	18500	18.16
7.5	2120F_4	240.1	48.3	2.42	None	19000	17.68
6.0	2110F_4	285.6	30.6	1.53	None	18500	22.70
6.0	2120F_4	292.7	39.6	1.98	None	19000	22.11
6.0	2130F_4	288.4	57.8	2.89	None	22500	18.67
5.0	2110F_4	352.3	24.8	1.24	None	18500	27.24
5.0	2120F_4	361.0	32.1	1.61	None	19000	26.53
5.0	2130F_4	351.4	47.4	2.37	None	22500	22.40
4.0	2110F_4	434.9	20.1	1.01	None	18500	34.05
4.0	2120F_4	445.7	26.0	1.30	None	19000	33.16
4.0	2130F_4	433.5	38.5	1.93	None	22500	28.00
3.2	2120F_4	535.7	21.7	1.09	None	19000	41.45
3.2	2130F_4	535.1	31.1	1.56	None	22500	35.00
2.7	2130F_4	643.3	25.9	1.30	None	22500	41.48

Motors are available from Falk or Falk Distributors.

20 HP/256T Motor

Energy Efficient Motor  
Falk Part No. 2918112  
TEFC, 1750 rpm  
230/460 Volts,  
3 Phase, 60 Hz,  
NEMA B,  
1.15 Service Factor

Premium Efficiency Motor  
Falk Part No. 2918132  
TEFC, 1750 rpm  
230/460 Volts,  
3 Phase, 60 Hz,  
NEMA B,  
1.15 Service Factor

Motors meeting other specifications are available upon request.

(See footnotes on Page 15.)

# Quick Selection Tables

## 25 HP/1750 rpm/284T Motor\*

Approx. L.S. Shaft rpm	DRIVE SIZE & Reduction	Exact Ratio	HP Rating	Service Factor	Minimum Cooling Required	L.S. Shaft OHL Capacity (lb)†	Minimum L.S. Shaft Sprocket Pitch Dia‡
1170	2040F_2	1.465	57.6	2.30	None	2030	1.33
950	2040F_2	1.820	50.8	2.03	None	2040	1.63
860	2040F_2	2.057	50.8	2.03	None	2150	1.70
780	2040F_2	2.191	50.1	2.00	None	2200	1.84
700	2040F_2	2.475	45.4	1.82	None	2290	1.97
640	2040F_2	2.723	39.8	1.59	None	2380	2.07
575	2040F_2	3.076	39.8	1.59	None	2380	2.30
520	2040F_2	3.279	34.7	1.39	None	2530	2.39
520	2050F_2	3.283	68.0	2.72	None	2730	2.22
470	2040F_2	3.705	34.7	1.39	None	2530	2.65
420	2040F_2	4.120	28.5	1.14	None	2530	2.96
420	2050F_2	4.001	56.7	2.27	None	2730	2.75
380	2040F_2	4.655	28.5	1.14	None	2650	3.13
380	2050F_2	4.512	68.0	2.72	None	3140	2.64
350	2040F_2	4.929	57.6	2.30	None	2260	3.98
280	2040F_2	6.122	50.8	2.03	None	2280	4.93
230	2040F_2	7.368	44.7	1.79	None	2380	5.75
190	2040F_2	9.158	38.2	1.53	None	2670	6.21
155	2040F_2	11.03	33.3	1.33	None	2840	7.16
155	2050F_2	11.08	63.2	2.53	None	4020	5.06
125	2040F_2	13.86	28.1	1.12	None	3030	8.32
125	2050F_2	13.50	52.1	2.08	None	4370	5.77
100	2050F_2	16.65	42.3	1.69	None	4370	7.21
100	2060F_2	17.19	69.8	2.79	None	6500	4.85
84	2050F_2	20.56	34.4	1.38	None	5120	7.32
84	2060F_2	21.13	59.3	2.37	None	6500	5.77
68	2050F_2	25.27	28.0	1.12	None	5250	8.82
68	2060F_2	25.63	49.0	1.96	None	6500	7.13
68	2070F_2	25.12	68.0	2.72	None	8500	5.45
56	2060F_2	31.69	39.7	1.59	None	6500	8.65
56	2070F_2	31.08	53.1	2.12	None	8500	6.62
45	2060F_3	38.46	32.3	1.29	None	6500	10.77
45	2070F_3	37.83	46.2	1.85	None	8500	8.24
45	2080F_3	38.88	63.7	2.55	None	11000	6.36
37	2060F_3	46.65	26.9	1.08	None	6500	13.10
37	2070F_3	46.27	37.8	1.51	None	8500	10.02
37	2080F_3	47.23	53.9	2.16	None	11000	7.74
30	2070F_3	56.63	31.7	1.27	None	8500	12.35
30	2080F_3	57.56	44.9	1.80	None	11000	9.55
30	2090F_3	57.53	72.3	2.89	None	14000	7.50
25	2070F_3	71.14	25.3	1.01	None	8500	14.82
25	2080F_3	69.64	36.9	1.48	None	11000	11.45
25	2090F_3	69.86	59.8	2.39	None	14000	9.00
20	2080F_3	87.65	30.1	1.20	None	11000	14.32
20	2090F_3	85.18	49.1	1.96	None	14000	11.25
20	2100F_3	88.36	66.2	2.65	None	17000	9.26
16.5	2090F_3	103.4	40.4	1.62	None	14000	13.64
16.5	2100F_3	104.6	56.0	2.24	None	17000	11.23
13.5	2090F_3	129.7	32.3	1.29	None	14000	16.67
13.5	2100F_3	133.8	43.8	1.75	None	17000	13.73
13.5	2110F_3	128.2	65.1	2.60	None	18500	12.61
11.0	2090F_3	157.5	26.6	1.06	None	14000	20.45
11.0	2100F_3	158.4	37.0	1.48	None	17000	16.84
11.0	2110F_3	155.7	53.8	2.15	None	18500	15.48
11.0	2120F_3	158.2	73.2	2.93	None	19000	15.07
9.0	2100F_4	202.3	28.9	1.16	None	17000	20.59
9.0	2110F_4	192.9	45.3	1.81	None	18500	18.92
9.0	2120F_4	197.7	58.6	2.34	None	19000	18.42
7.5	2110F_4	234.3	37.3	1.49	None	18500	22.70
7.5	2120F_4	240.1	48.3	1.93	None	19000	22.11
7.5	2130F_4	237.4	67.0	2.68	None	22500	18.67
6.0	2110F_4	285.6	30.6	1.22	None	18500	28.38
6.0	2120F_4	292.7	39.6	1.58	None	19000	27.63
6.0	2130F_4	288.4	57.8	2.31	None	22500	23.33
5.0	2120F_4	361.0	32.1	1.28	None	19000	33.16
5.0	2130F_4	351.4	47.4	1.90	None	22500	28.00
4.0	2120F_4	445.7	26.0	1.04	None	19000	41.45
4.0	2130F_4	433.5	38.5	1.54	None	22500	35.00
3.2	2130F_4	535.1	31.1	1.24	None	22500	43.75
2.7	2130F_4	643.3	25.9	1.04	None	22500	51.85

Motors are available from Falk or Falk Distributors.

25 HP/284T Motor

Energy Efficient Motor  
Falk Part No. 2918113  
TEFC, 1750 rpm  
230/460 Volts,  
3 Phase, 60 Hz,  
NEMA B,  
1.15 Service Factor

Premium Efficiency Motor  
Falk Part No. 2918133  
TEFC, 1750 rpm  
230/460 Volts,  
3 Phase, 60 Hz,  
NEMA B,  
1.15 Service Factor

Motors meeting other specifications are available upon request.

(See footnotes on Page 15.)

### 30 HP/1750 rpm/286T Motor\*

Approx. L.S. Shaft rpm	DRIVE SIZE & Reduction	Exact Ratio	HP Rating	Service Factor	Minimum Cooling Required	L.S. Shaft OHL Capacity (lb)†	Minimum L.S. Shaft Sprocket Pitch Diam
1170	2040F_2	1.465	57.6	1.92	None	2030	1.59
950	2040F_2	1.820	50.8	1.69	None	2040	1.95
950	2050F_2	1.822	87.5	2.92	None	2450	1.62
860	2040F_2	2.057	50.8	1.69	None	2150	2.04
780	2040F_2	2.191	50.1	1.67	None	2200	2.20
700	2040F_2	2.475	45.4	1.51	None	2290	2.36
640	2040F_2	2.723	39.8	1.33	None	2380	2.48
640	2050F_2	2.702	79.2	2.64	None	2580	2.29
575	2040F_2	3.076	39.8	1.33	None	2380	2.76
520	2040F_2	3.279	34.7	1.16	None	2530	2.87
520	2050F_2	3.283	68.0	2.27	None	2730	2.66
470	2040F_2	3.705	34.7	1.16	None	2530	3.18
470	2050F_2	3.714	79.2	2.64	None	2730	2.95
420	2050F_2	4.001	56.7	1.89	None	2730	3.30
380	2050F_2	4.512	68.0	2.27	None	3140	3.17
350	2040F_2	4.929	57.6	1.92	None	2260	4.78
280	2040F_2	6.122	50.8	1.69	None	2280	5.92
230	2040F_2	7.368	44.7	1.49	None	2380	6.91
230	2050F_2	7.598	87.0	2.90	None	3300	4.98
190	2040F_2	9.158	38.2	1.27	None	2670	7.45
190	2050F_2	9.119	76.5	2.55	None	3700	5.38
155	2040F_2	11.03	33.3	1.11	None	2840	8.59
155	2050F_2	11.08	63.2	2.11	None	4020	6.07
125	2050F_2	13.50	52.1	1.74	None	4370	6.92
100	2050F_2	16.65	42.3	1.41	None	4370	8.65
100	2060F_2	17.19	69.8	2.33	None	6500	5.82
84	2050F_2	20.56	34.4	1.15	None	5120	8.79
84	2060F_2	21.13	59.3	1.98	None	6500	6.92
84	2070F_2	20.54	84.8	2.83	None	8500	5.29
68	2060F_2	25.63	49.0	1.63	None	6500	8.55
68	2070F_2	25.12	68.0	2.27	None	8500	6.54
56	2060F_2	31.69	39.7	1.32	None	6500	10.38
56	2070F_2	31.08	53.1	1.77	None	8500	7.94
56	2080F_2	31.15	77.7	2.59	None	11000	6.14
45	2060F_3	38.46	32.3	1.08	None	6500	12.92
45	2070F_3	37.83	46.2	1.54	None	8500	9.88
45	2080F_3	38.88	63.7	2.12	None	11000	7.64
37	2070F_3	46.27	37.8	1.26	None	8500	12.02
37	2080F_3	47.23	53.9	1.80	None	11000	9.29
37	2090F_3	48.23	86.3	2.88	None	14000	7.30
30	2070F_3	56.63	31.7	1.06	None	8500	14.82
30	2080F_3	57.56	44.9	1.50	None	11000	11.45
30	2090F_3	57.53	72.3	2.41	None	14000	9.00
25	2080F_3	69.64	36.9	1.23	None	11000	13.75
25	2090F_3	69.86	59.8	1.99	None	14000	10.80
25	2100F_3	71.64	81.6	2.72	None	17000	8.89
20	2080F_3	87.65	30.1	1.00	None	11000	17.18
20	2090F_3	85.18	49.1	1.64	None	14000	13.50
20	2100F_3	88.36	66.2	2.21	None	17000	11.12
16.5	2090F_3	103.4	40.4	1.35	None	14000	16.36
16.5	2100F_3	104.6	56.0	1.87	None	17000	13.48
16.5	2110F_3	104.9	82.5	2.75	None	18500	12.38
13.5	2090F_3	129.7	32.3	1.08	None	14000	20.00
13.5	2100F_3	133.8	43.8	1.46	None	17000	16.47
13.5	2110F_3	128.2	65.1	2.17	None	18500	15.14
13.5	2120F_3	128.9	89.7	2.99	None	19000	14.74
11.0	2100F_3	158.4	37.0	1.23	None	17000	20.21
11.0	2110F_3	155.7	53.8	1.79	None	18500	18.57
11.0	2120F_3	158.2	73.2	2.44	None	19000	18.09
9.0	2110F_4	192.9	45.3	1.51	None	18500	22.70
9.0	2120F_4	197.7	58.6	1.95	None	19000	22.11
9.0	2130F_4	199.0	81.0	2.70	None	22500	18.67
7.5	2110F_4	234.3	37.3	1.24	None	18500	27.24
7.5	2120F_4	240.1	48.3	1.61	None	19000	26.53
7.5	2130F_4	237.4	67.0	2.23	None	22500	22.40
6.0	2110F_4	285.6	30.6	1.02	None	18500	34.05
6.0	2120F_4	292.7	39.6	1.32	None	19000	33.16
6.0	2130F_4	288.4	57.8	1.93	None	22500	28.00
5.0	2120F_4	361.0	32.1	1.07	None	19000	39.79
5.0	2130F_4	351.4	47.4	1.58	None	22500	33.60
4.0	2130F_4	433.5	38.5	1.28	None	22500	42.00
3.2	2130F_4	535.1	31.1	1.04	None	22500	52.50

Motors are available from Falk or Falk Distributors.

30 HP/286T Motor

Energy Efficient Motor  
Falk Part No. 2918114  
TEFC, 1750 rpm  
230/460 Volts,  
3 Phase, 60 Hz,  
NEMA B,  
1.15 Service Factor

Premium Efficiency Motor  
Falk Part No. 2918134  
TEFC, 1750 rpm  
230/460 Volts,  
3 Phase, 60 Hz,  
NEMA B,  
1.15 Service Factor

Motors meeting other specifications are available upon request.

(See footnotes on Page 15.)

# Quick Selection Tables

## 40 HP/1750 rpm/324T Motor\*

Approx. L.S. Shaft rpm	DRIVE SIZE & Reduction	Exact Ratio	HP Rating	Service Factor	Minimum Cooling Required	L.S. Shaft OHL Capacity (lb)†	Minimum L.S. Shaft Sprocket Pitch Dia‡
1170	2040F_2	1.465	57.6	1.44	None	2030	2.12
1170	2050F_2	1.476	115	2.88	None	2420	1.78
950	2040F_2	1.820	50.8	1.27	None	2040	2.60
950	2050F_2	1.822	87.5	2.19	None	2450	2.17
860	2040F_2	2.057	50.8	1.27	None	2150	2.73
860	2050F_2	2.028	115	2.88	None	2320	2.53
780	2040F_2	2.191	50.1	1.25	None	2200	2.94
780	2050F_2	2.252	90.3	2.26	None	2660	2.43
700	2040F_2	2.475	45.4	1.14	None	2290	3.14
700	2050F_2	2.504	102	2.55	None	2530	2.85
640	2040F_2	2.723	39.8	1.00	None	2380	3.31
640	2050F_2	2.702	79.2	1.98	None	2580	3.05
575	2040F_2	3.076	39.8	1.00	None	2380	3.68
575	2050F_2	3.095	90.3	2.26	None	2580	3.40
520	2050F_2	3.283	68.0	1.70	None	2730	3.55
470	2050F_2	3.714	79.2	1.98	None	2730	3.93
420	2050F_2	4.001	56.7	1.42	None	2730	4.40
420	2060F_2	4.130	114	2.85	None	5450	2.20
380	2050F_2	4.512	68.0	1.70	None	3140	4.22
380	2060F_2	4.567	114	2.85	None	5750	2.31
350	2040F_2	4.929	57.6	1.44	None	2260	6.37
350	2050F_2	4.980	114	2.85	None	3120	4.62
280	2040F_2	6.122	50.8	1.27	None	2280	7.89
280	2050F_2	6.147	100	2.50	None	3170	5.68
230	2040F_2	7.368	44.7	1.12	None	2380	9.21
230	2050F_2	7.598	87.0	2.18	None	3300	6.64
190	2050F_2	9.119	76.5	1.91	None	3700	7.17
155	2050F_2	11.08	63.2	1.58	None	4020	8.09
155	2060F_2	11.26	110	2.75	None	6500	5.00
125	2050F_2	13.50	52.1	1.30	None	4370	9.23
125	2060F_2	13.72	90.7	2.27	None	6500	6.20
100	2050F_2	16.65	42.3	1.06	None	4370	11.53
100	2060F_2	17.19	69.8	1.75	None	6500	7.75
100	2070F_2	17.33	102	2.55	None	8500	5.93
84	2060F_2	21.13	59.3	1.48	None	6500	9.23
84	2070F_2	20.54	84.8	2.12	None	8500	7.06
84	2080F_2	20.98	117	2.93	None	10200	5.88
68	2060F_2	25.63	49.0	1.23	None	6500	11.40
68	2070F_2	25.12	68.0	1.70	None	8500	8.72
68	2080F_2	25.17	96.7	2.42	None	11000	6.74
56	2070F_2	31.08	53.1	1.33	None	8500	10.59
56	2080F_2	31.15	77.7	1.94	None	11000	8.18
45	2070F_3	37.83	46.2	1.16	None	8500	13.18
45	2080F_3	38.88	63.7	1.59	None	11000	10.18
45	2090F_3	39.51	98.7	2.47	None	14000	8.00
37	2080F_3	47.23	53.9	1.35	None	11000	12.38
37	2090F_3	48.23	86.3	2.16	None	14000	9.73
37	2100F_3	48.39	119	2.98	None	17000	8.01
30	2080F_3	57.56	44.9	1.12	None	11000	15.27
30	2090F_3	57.53	72.3	1.81	None	14000	12.00
30	2100F_3	57.29	102	2.55	None	17000	9.88
25	2090F_3	69.86	59.8	1.50	None	14000	14.40
25	2100F_3	71.64	81.6	2.04	None	17000	11.86
20	2090F_3	85.18	49.1	1.23	None	14000	18.00
20	2100F_3	88.36	66.2	1.66	None	17000	14.82
20	2110F_3	86.02	101	2.53	None	18500	13.62
16.5	2090F_3	103.4	40.4	1.01	None	14000	21.82
16.5	2100F_3	104.6	56.0	1.40	None	17000	17.97
16.5	2110F_3	104.9	82.5	2.06	None	18500	16.51
16.5	2120F_3	107.0	108	2.70	None	19000	16.08
13.5	2100F_3	133.8	43.8	1.10	None	17000	21.96
13.5	2110F_3	128.2	65.1	1.63	None	18500	20.18
13.5	2120F_3	128.9	89.7	2.24	None	19000	19.65
11.0	2110F_3	155.7	53.8	1.35	None	18500	24.77
11.0	2120F_3	158.2	73.2	1.83	None	19000	24.11
11.0	2130F_3	154.8	93.6	2.34	None	22500	20.36
9.0	2110F_4	192.9	45.3	1.13	None	18500	30.27
9.0	2120F_4	197.7	58.6	1.47	None	19000	29.47
9.0	2130F_4	199.0	81.0	2.03	None	22500	24.89
7.5	2120F_4	240.1	48.3	1.21	None	19000	35.37
7.5	2130F_4	237.4	67.0	1.68	None	22500	29.87
6.0	2130F_4	288.4	57.8	1.45	None	22500	37.33
5.0	2130F_4	351.4	47.4	1.19	None	22500	44.80

Motors are available from Falk or Falk Distributors.

40 HP/324T Motor

Energy Efficient Motor  
Falk Part No. 2918115  
TEFC, 1750 rpm  
230/460 Volts,  
3 Phase, 60 Hz,  
NEMA B,  
1.15 Service Factor

Premium Efficiency Motor  
Falk Part No. 2918135  
TEFC, 1750 rpm  
230/460 Volts,  
3 Phase, 60 Hz,  
NEMA B,  
1.15 Service Factor

Motors meeting other specifications are available upon request.

(See footnotes on Page 15.)



### 50 HP/1750 rpm/326T Motor\*

Approx. L.S. Shaft rpm	DRIVE SIZE & Reduction	Exact Ratio	HP Rating	Service Factor	Minimum Cooling Required	L.S. Shaft OHL Capacity (lb)†	Minimum L.S. Shaft Sprocket Pitch Dia†
1170	2040F_2	1.465	57.6	1.15	None	2030	2.65
1170	2050F_2	1.476	115	2.30	None	2420	2.23
950	2040F_2	1.820	50.8	1.02	None	2040	3.25
950	2050F_2	1.822	87.5	1.75	None	2450	2.71
860	2040F_2	2.057	50.8	1.02	None	2150	3.41
860	2050F_2	2.028	115	2.30	None	2320	3.16
780	2040F_2	2.191	50.1	1.00	None	2200	3.67
780	2050F_2	2.252	90.3	1.81	None	2660	3.04
780	2060F_2	2.295	149	2.98	None	4670	1.73
700	2050F_2	2.504	102	2.04	None	2530	3.56
700	2060F_2	2.537	149	2.98	None	4840	1.86
640	2050F_2	2.702	79.2	1.58	None	2580	3.82
640	2060F_2	2.827	142	2.84	None	5020	1.96
575	2050F_2	3.095	90.3	1.81	None	2580	4.25
575	2060F_2	3.126	142	2.84	None	5020	2.18
520	2050F_2	3.283	68.0	1.36	None	2730	4.44
520	2060F_2	3.400	128	2.56	None	5450	2.22
470	2050F_2	3.714	79.2	1.58	None	2730	4.91
470	2060F_2	3.759	128	2.56	None	5450	2.46
420	2050F_2	4.001	56.7	1.13	None	2730	5.49
420	2060F_2	4.130	114	2.28	None	5450	2.75
380	2050F_2	4.512	68.0	1.36	None	3140	5.28
380	2060F_2	4.567	114	2.28	None	5750	2.88
350	2050F_2	4.980	114	2.28	None	3120	5.77
280	2050F_2	6.147	100	2.00	None	3170	7.10
280	2060F_2	6.256	149	2.98	None	5240	4.29
230	2050F_2	7.598	87.0	1.74	None	3300	8.30
230	2060F_2	7.708	142	2.84	None	5770	4.75
190	2050F_2	9.119	76.5	1.53	None	3700	8.96
190	2060F_2	9.269	128	2.56	None	6140	5.40
155	2050F_2	11.08	63.2	1.26	None	4020	10.11
155	2060F_2	11.26	110	2.20	None	6500	6.25
125	2050F_2	13.50	52.1	1.04	None	4370	11.53
125	2060F_2	13.72	90.7	1.81	None	6500	7.75
125	2070F_2	13.50	131	2.62	None	8500	5.93
100	2060F_2	17.19	69.8	1.40	None	6500	9.69
100	2070F_2	17.33	102	2.04	None	8500	7.41
100	2080F_2	17.34	149	2.98	None	7480	8.42
84	2060F_2	21.13	59.3	1.19	None	6500	11.54
84	2070F_2	20.54	84.8	1.70	None	8500	8.82
84	2080F_2	20.98	117	2.34	None	10200	7.35
68	2070F_2	25.12	68.0	1.36	None	8500	10.90
68	2080F_2	25.17	96.7	1.93	None	11000	8.42
56	2070F_2	31.08	53.1	1.06	None	8500	13.24
56	2080F_2	31.15	77.7	1.55	None	11000	10.23
56	2090F_2	31.15	133	2.66	None	14000	8.04
45	2080F_3	38.88	63.7	1.27	None	11000	12.73
45	2090F_3	39.51	98.7	1.97	None	14000	10.00
45	2100F_3	40.24	135	2.70	None	17000	8.24
37	2080F_3	47.23	53.9	1.08	None	11000	15.48
37	2090F_3	48.23	86.3	1.73	None	14000	12.16
37	2100F_3	48.39	119	2.38	None	17000	10.02
30	2090F_3	57.53	72.3	1.45	None	14000	15.00
30	2100F_3	57.29	102	2.04	None	17000	12.35
30	2110F_3	56.56	145	2.90	None	18500	11.35
25	2090F_3	69.86	59.8	1.20	None	14000	18.00
25	2100F_3	71.64	81.6	1.63	None	17000	14.82
25	2110F_3	68.94	125	2.50	None	18500	13.62
20	2100F_3	88.36	66.2	1.32	None	17000	18.53
20	2110F_3	86.02	101	2.02	None	18500	17.03
20	2120F_3	88.15	131	2.62	None	19000	16.58
16.5	2100F_3	104.6	56.0	1.12	None	17000	22.46
16.5	2110F_3	104.9	82.5	1.65	None	18500	20.64
16.5	2120F_3	107.0	108	2.16	None	19000	20.10
13.5	2110F_3	128.2	65.1	1.30	None	18500	25.23
13.5	2120F_3	128.9	89.7	1.79	None	19000	24.56
13.5	2130F_3	128.5	127	2.54	None	22500	20.74
11.0	2110F_3	155.7	53.8	1.08	None	18500	30.96
11.0	2120F_3	158.2	73.2	1.46	None	19000	30.14
11.0	2130F_3	154.8	93.6	1.87	None	22500	25.45
9.0	2120F_4	197.7	58.6	1.17	None	19000	36.84
9.0	2130F_4	199.0	81.0	1.62	None	22500	31.11
7.5	2130F_4	237.4	67.0	1.34	None	22500	37.33
6.0	2130F_4	288.4	57.8	1.16	None	22500	46.67

Motors are available from Falk or Falk Distributors.

50 HP/326T Motor

Energy Efficient Motor  
Falk Part No. 2918116  
TEFC, 1750 rpm  
230/460 Volts,  
3 Phase, 60 Hz,  
NEMA B,  
1.15 Service Factor

Premium Efficiency Motor  
Falk Part No. 2918136  
TEFC, 1750 rpm  
230/460 Volts,  
3 Phase, 60 Hz,  
NEMA B,  
1.15 Service Factor

Motors meeting other specifications are available upon request.

(See footnotes on Page 15.)

# Quick Selection Tables

## 60 HP/1750 rpm/364T Motor\*

Approx. L.S. Shaft rpm	DRIVE SIZE & Reduction	Exact Ratio	HP Rating	Service Factor	Minimum Cooling Required	L.S. Shaft OHL Capacity (lb)†	Minimum L.S. Shaft Sprocket Pitch Dia‡
1170	2050F_2	1.476	115	1.92	None	2420	2.67
950	2050F_2	1.822	87.5	1.46	None	2450	3.25
950	2060F_2	1.833	172	2.87	None	4420	1.80
860	2050F_2	2.028	115	1.92	None	2320	3.79
860	2060F_2	2.027	172	2.87	None	4580	1.92
780	2050F_2	2.252	90.3	1.51	None	2660	3.64
780	2060F_2	2.295	149	2.48	None	4670	2.08
700	2050F_2	2.504	102	1.70	None	2530	4.27
700	2060F_2	2.537	149	2.48	None	4840	2.23
640	2050F_2	2.702	79.2	1.32	None	2580	4.58
640	2060F_2	2.827	142	2.37	None	5020	2.35
575	2050F_2	3.095	90.3	1.51	None	2580	5.10
575	2060F_2	3.126	142	2.37	None	5020	2.62
520	2050F_2	3.283	68.0	1.13	None	2730	5.33
520	2060F_2	3.400	128	2.13	None	5450	2.67
470	2050F_2	3.714	79.2	1.32	None	2730	5.89
470	2060F_2	3.759	128	2.13	None	5450	2.95
420	2060F_2	4.130	114	1.90	None	5450	3.30
420	2070F_2	3.954	164	2.73	None	6280	2.87
380	2050F_2	4.512	68.0	1.13	None	3140	6.34
380	2060F_2	4.567	114	1.90	None	5750	3.46
380	2070F_2	4.573	164	2.73	None	6690	2.97
350	2060F_2	4.998	172	2.87	Shaft Fan	5110	4.23
280	2060F_2	6.256	149	2.48	Shaft Fan	5240	5.15
230	2060F_2	7.708	142	2.37	Shaft Fan	5770	5.70
190	2060F_2	9.269	128	2.13	Shaft Fan	6140	6.48
155	2060F_2	11.26	110	1.83	Shaft Fan	6500	7.50
155	2070F_2	11.08	159	2.65	None	8210	5.94
125	2060F_2	13.72	90.7	1.51	Shaft Fan	6500	9.30
125	2070F_2	13.50	131	2.18	None	8500	7.12
100	2060F_2	17.19	69.8	1.16	Shaft Fan	6500	11.63
100	2070F_2	17.33	102	1.70	None	8500	8.89
100	2080F_2	17.34	149	2.48	None	7480	10.11
84	2070F_2	20.54	84.8	1.41	None	8500	10.59
84	2080F_2	20.98	117	1.95	None	10200	8.82
68	2070F_2	25.12	68.0	1.13	None	8500	13.08
68	2080F_2	25.17	96.7	1.61	None	11000	10.11
68	2090F_2	25.66	155	2.58	None	14000	7.94
56	2080F_2	31.15	77.7	1.30	None	11000	12.27
56	2090F_2	31.15	133	2.22	None	14000	9.64
45	2080F_3	38.88	63.7	1.06	None	11000	15.27
45	2090F_3	39.51	98.7	1.65	None	14000	12.00
45	2100F_3	40.24	135	2.25	None	17000	9.88
37	2090F_3	48.23	86.3	1.44	None	14000	14.59
37	2100F_3	48.39	119	1.98	None	17000	12.02
37	2110F_3	46.56	168	2.80	None	18500	11.04
30	2090F_3	57.53	72.3	1.20	None	14000	18.00
30	2100F_3	57.29	102	1.70	None	17000	14.82
30	2110F_3	56.56	145	2.42	None	18500	13.62
25	2090F_3	69.86	59.8	1.00	None	14000	21.60
25	2100F_3	71.64	81.6	1.36	None	17000	17.79
25	2110F_3	68.94	125	2.08	None	18500	16.35
25	2120F_3	68.05	169	2.82	None	19000	15.92
20	2100F_3	88.36	66.2	1.10	None	17000	22.24
20	2110F_3	86.02	101	1.68	None	18500	20.43
20	2120F_3	88.15	131	2.18	None	19000	19.89
16.5	2110F_3	104.9	82.5	1.38	None	18500	24.77
16.5	2120F_3	107.0	108	1.80	None	19000	24.11
16.5	2130F_3	105.9	150	2.50	None	22500	20.36
13.5	2110F_3	128.2	65.1	1.09	None	18500	30.27
13.5	2120F_3	128.9	89.7	1.50	None	19000	29.47
13.5	2130F_3	128.5	127	2.12	None	22500	24.89
11.0	2120F_3	158.2	73.2	1.22	None	19000	36.17
11.0	2130F_3	154.8	93.6	1.56	None	22500	30.55
9.0	2130F_4	199.0	81.0	1.35	None	22500	37.33
7.5	2130F_4	237.4	67.0	1.12	None	22500	44.80

Motors are available from Falk or Falk Distributors.

60 HP/364T Motor

Energy Efficient Motor  
Falk Part No. 2918117  
TEFC, 1750 rpm  
230/460 Volts,  
3 Phase, 60 Hz,  
NEMA B,  
1.15 Service Factor

Premium Efficiency Motor  
Falk Part No. 2918137  
TEFC, 1750 rpm  
230/460 Volts,  
3 Phase, 60 Hz,  
NEMA B,  
1.15 Service Factor

Motors meeting other specifications are available upon request.

(See footnotes on Page 15.)

# 75 HP/1750 rpm/365T Motor\*

Approx. L.S. Shaft rpm	DRIVE SIZE & Reduction	Exact Ratio	HP Rating	Service Factor	Minimum Cooling Required	L.S. Shaft OHL Capacity (lb)†	Minimum L.S. Shaft Sprocket Pitch Diam
1170	2060F_2	1.548	190	2.53	None	4360	1.85
950	2060F_2	1.833	172	2.29	None	4420	2.25
860	2060F_2	2.027	172	2.29	None	4580	2.40
780	2060F_2	2.295	149	1.99	None	4670	2.59
700	2060F_2	2.537	149	1.99	None	4840	2.79
640	2060F_2	2.827	142	1.89	None	5020	2.94
575	2060F_2	3.126	142	1.89	None	5020	3.27
520	2060F_2	3.400	128	1.71	None	5450	3.33
520	2070F_2	3.211	193	2.57	None	6280	2.89
470	2060F_2	3.759	128	1.71	None	5450	3.69
470	2070F_2	3.713	193	2.57	None	6280	3.20
420	2060F_2	4.130	114	1.52	None	5450	4.13
420	2070F_2	3.954	164	2.19	None	6280	3.58
380	2060F_2	4.567	114	1.52	None	5750	4.32
380	2070F_2	4.573	164	2.19	None	6690	3.72
350	2060F_2	4.998	172	2.29	Shaft Fan	5110	5.28
280	2060F_2	6.256	149	1.99	Shaft Fan	5240	6.44
230	2060F_2	7.708	142	1.89	Shaft Fan	5770	7.12
190	2060F_2	9.269	128	1.71	Shaft Fan	6140	8.10
190	2070F_2	8.996	193	2.57	None	7570	6.57
155	2060F_2	11.26	110	1.47	Shaft Fan	6500	9.38
155	2070F_2	11.08	159	2.12	None	8210	7.43
125	2060F_2	13.72	90.7	1.21	Shaft Fan	6500	11.63
125	2070F_2	13.50	131	1.75	Shaft Fan	8500	8.89
125	2080F_2	13.67	189	2.52	None	7480	10.11
100	2070F_2	17.33	102	1.36	Shaft Fan	8500	11.12
100	2080F_2	17.34	149	1.99	None	7480	12.63
84	2070F_2	20.54	84.8	1.13	Shaft Fan	8500	13.24
84	2080F_2	20.98	117	1.56	None	10200	11.03
84	2090F_2	21.01	188	2.51	Shaft Fan	14000	8.04
68	2080F_2	25.17	96.7	1.29	None	11000	12.63
68	2090F_2	25.66	155	2.07	Shaft Fan	14000	9.93
56	2080F_2	31.15	77.7	1.04	None	11000	15.34
56	2090F_2	31.15	133	1.77	Shaft Fan	14000	12.05
56	2100F_2	31.21	183	2.44	Shaft Fan	17000	9.93
45	2090F_3	39.51	98.7	1.32	None	14000	15.00
45	2100F_3	40.24	135	1.80	None	17000	12.35
45	2110F_3	38.38	196	2.61	None	18500	12.50
37	2090F_3	48.23	86.3	1.15	None	14000	18.24
37	2100F_3	48.39	119	1.59	None	17000	15.02
37	2110F_3	46.56	168	2.24	None	18500	13.81
30	2100F_3	57.29	102	1.36	None	17000	18.53
30	2110F_3	56.56	145	1.93	None	18500	17.03
30	2120F_3	57.02	202	2.69	None	19000	16.58
25	2100F_3	71.64	81.6	1.09	None	17000	22.24
25	2110F_3	68.94	125	1.67	None	18500	20.43
25	2120F_3	68.05	169	2.25	None	19000	19.89
20	2110F_3	86.02	101	1.35	None	18500	25.54
20	2120F_3	88.15	131	1.75	None	19000	24.87
20	2130F_3	81.72	200	2.67	None	22500	21.00
16.5	2110F_3	104.9	82.5	1.10	None	18500	30.96
16.5	2120F_3	107.0	108	1.44	None	19000	30.14
16.5	2130F_3	105.9	150	2.00	None	22500	25.45
13.5	2120F_3	128.9	89.7	1.20	None	19000	36.84
13.5	2130F_3	128.5	127	1.69	None	22500	31.11
11.0	2130F_3	154.8	93.6	1.25	None	22500	38.18
9.0	2130F_4	199.0	81.0	1.08	None	22500	46.67

Motors are available from Falk or Falk Distributors.

75 HP/365T Motor

Energy Efficient Motor  
Falk Part No. 2918118  
TEFC, 1750 rpm  
230/460 Volts,  
3 Phase, 60 Hz,  
NEMA B,  
1.15 Service Factor

Premium Efficiency Motor  
Falk Part No. 2918138  
TEFC, 1750 rpm  
230/460 Volts,  
3 Phase, 60 Hz,  
NEMA B,  
1.15 Service Factor

Motors meeting other specifications are available upon request.

(See footnotes on Page 15.)

# Quick Selection Tables

## 100 HP/1750 rpm/405T Motor\*

Approx. L.S. Shaft rpm	DRIVE SIZE & Reduction	Exact Ratio	HP Rating	Service Factor	Minimum Cooling Required	L.S. Shaft OHL Capacity (lb)†	Minimum L.S. Shaft Sprocket Pitch Dia‡
1170	2060F_2	1.548	190	1.90	Shaft Fan	4360	2.47
950	2060F_2	1.833	172	1.72	Shaft Fan	4420	3.00
950	2070F_2	1.783	282	2.82	Shaft Fan	4810	2.76
860	2060F_2	2.027	172	1.72	Shaft Fan	4580	3.20
860	2070F_2	2.062	282	2.82	Shaft Fan	4870	3.01
780	2060F_2	2.295	149	1.49	Shaft Fan	4670	3.46
780	2070F_2	2.197	279	2.79	Shaft Fan	5120	3.16
700	2060F_2	2.537	149	1.49	Shaft Fan	4840	3.72
700	2070F_2	2.541	279	2.79	Shaft Fan	5190	3.47
640	2060F_2	2.827	142	1.42	Shaft Fan	5020	3.92
640	2070F_2	2.683	239	2.39	Shaft Fan	5590	3.52
575	2060F_2	3.126	142	1.42	Shaft Fan	5020	4.37
575	2070F_2	3.103	239	2.39	Shaft Fan	5590	3.92
520	2060F_2	3.400	128	1.28	Shaft Fan	5450	4.45
520	2070F_2	3.211	193	1.93	Shaft Fan	6280	3.86
470	2060F_2	3.759	128	1.28	Shaft Fan	5450	4.92
470	2070F_2	3.713	193	1.93	Shaft Fan	6280	4.27
420	2060F_2	4.130	114	1.14	Shaft Fan	5450	5.50
420	2070F_2	3.954	164	1.64	Shaft Fan	6280	4.78
380	2060F_2	4.567	114	1.14	Shaft Fan	5750	5.77
380	2070F_2	4.573	164	1.64	Shaft Fan	6690	4.96
350	2060F_2	4.998	172	1.72	Shaft Fan	5110	7.05
350	2070F_2	4.996	255	2.55	Shaft Fan	6060	5.94
280	2060F_2	6.256	149	1.49	Shaft Fan	5240	8.59
280	2070F_2	6.155	258	2.58	Shaft Fan	6190	7.27
230	2060F_2	7.708	142	1.42	Shaft Fan	5770	9.49
230	2070F_2	7.517	231	2.31	Shaft Fan	6670	8.21
190	2060F_2	9.269	128	1.28	Shaft Fan	6140	10.80
190	2070F_2	8.996	193	1.93	Shaft Fan	7570	8.76
190	2080F_2	8.923	272	2.72	Shaft Fan	5460	12.15
155	2060F_2	11.26	110	1.10	Shaft Fan	6500	12.51
155	2070F_2	11.08	159	1.59	Shaft Fan	8210	9.90
155	2080F_2	11.13	231	2.31	Shaft Fan	6350	12.80
125	2070F_2	13.50	131	1.31	Shaft Fan	8500	11.86
125	2080F_2	13.67	189	1.89	Shaft Fan	7480	13.48
125	2090F_2	13.98	269	2.69	Shaft Fan	11900	8.47
100	2070F_2	17.33	102	1.02	Shaft Fan	8500	14.82
100	2080F_2	17.34	149	1.49	Shaft Fan	8900	16.84
100	2090F_2	16.78	235	2.35	Shaft Fan	13800	10.59
84	2080F_2	20.98	117	1.17	Shaft Fan	10200	14.71
84	2090F_2	21.01	188	1.88	Shaft Fan	14000	10.71
84	2100F_2	21.58	256	2.56	Shaft Fan	15500	9.68
68	2090F_2	25.66	155	1.55	Shaft Fan	14000	13.24
68	2100F_2	25.55	226	2.26	Shaft Fan	16900	10.96
56	2090F_2	31.15	133	1.33	Shaft Fan	14000	16.07
56	2100F_2	31.21	183	1.83	Shaft Fan	17000	13.24
56	2110F_2	31.12	263	2.63	None	18100	13.39
45	2100F_3	40.24	135	1.35	None	17000	16.47
45	2110F_3	38.38	196	1.96	None	18500	16.67
45	2120F_3	39.36	269	2.69	None	19000	14.74
37	2100F_3	48.39	119	1.19	None	17000	20.03
37	2110F_3	46.56	168	1.68	None	18500	18.41
37	2120F_3	47.71	239	2.39	None	19000	17.92
30	2100F_3	57.29	102	1.02	None	17000	24.71
30	2110F_3	56.56	145	1.45	None	18500	22.70
30	2120F_3	57.02	202	2.02	None	19000	22.11
30	2130F_3	57.30	276	2.76	None	22500	18.67
25	2110F_3	68.94	125	1.25	None	18500	27.24
25	2120F_3	68.05	169	1.69	None	19000	26.53
25	2130F_3	68.47	237	2.37	None	22500	22.40
20	2110F_3	86.02	101	1.01	None	18500	34.05
20	2120F_3	88.15	131	1.31	None	19000	33.16
20	2130F_3	81.72	200	2.00	None	22500	28.00
16.5	2120F_3	107.0	108	1.08	None	19000	40.19
16.5	2130F_3	105.9	150	1.50	None	22500	33.94
13.5	2130F_3	128.5	127	1.27	None	22500	41.48

Motors are available from Falk or Falk Distributors.

100 HP/405T Motor

Energy Efficient Motor  
Falk Part No. 2918119  
TEFC, 1750 rpm  
230/460 Volts,  
3 Phase, 60 Hz,  
NEMA B,  
1.15 Service Factor

Premium Efficiency Motor  
Falk Part No. 2918139  
TEFC, 1750 rpm  
230/460 Volts,  
3 Phase, 60 Hz,  
NEMA B,  
1.15 Service Factor

Motors meeting other specifications are available upon request.

(See footnotes on Page 15.)

# 125 HP/1750 rpm/444T Motor\*

Approx. L.S. Shaft rpm	DRIVE SIZE & Reduction	Exact Ratio	HP Rating	Service Factor	Minimum Cooling Required	L.S. Shaft OHL Capacity (lb)†	Minimum L.S. Shaft Sprocket Pitch Dia†
1170	2060F_2	1.548	190	1.52	Shaft Fan	4360	3.09
950	2060F_2	1.833	172	1.38	Shaft Fan	4420	3.75
950	2070F_2	1.783	282	2.26	Shaft Fan	4810	3.45
860	2060F_2	2.027	172	1.38	Shaft Fan	4580	4.00
860	2070F_2	2.062	282	2.26	Shaft Fan	4870	3.76
780	2060F_2	2.295	149	1.19	Shaft Fan	4670	4.32
780	2070F_2	2.197	279	2.23	Shaft Fan	5120	3.94
700	2060F_2	2.537	149	1.19	Shaft Fan	4840	4.65
700	2070F_2	2.541	279	2.23	Shaft Fan	5190	4.34
640	2060F_2	2.827	142	1.14	Shaft Fan	5020	4.90
640	2070F_2	2.683	239	1.91	Shaft Fan	5590	4.40
575	2060F_2	3.126	142	1.14	Shaft Fan	5020	5.46
575	2070F_2	3.103	239	1.91	Shaft Fan	5590	4.90
520	2060F_2	3.400	128	1.02	Shaft Fan	5450	5.56
520	2070F_2	3.211	193	1.54	Shaft Fan	6280	4.82
470	2060F_2	3.759	128	1.02	Shaft Fan	5450	6.15
470	2070F_2	3.713	193	1.54	Shaft Fan	6280	5.34
420	2070F_2	3.954	164	1.31	Shaft Fan	6280	5.97
380	2070F_2	4.573	164	1.31	Shaft Fan	6690	6.20
380	2090F_2	4.763	330	2.64	None	11500	3.60
350	2060F_2	4.998	172	1.38	Elec Fan	5110	8.81
350	2070F_2	4.996	255	2.04	Shaft Fan	6060	7.43
350	2080F_2	5.161	370	2.96	Shaft Fan	4720	9.53
280	2060F_2	6.256	149	1.19	Elec Fan	5240	10.73
280	2070F_2	6.155	258	2.06	Shaft Fan	6190	9.09
280	2080F_2	6.290	362	2.90	Shaft Fan	4370	12.87
230	2060F_2	7.708	142	1.14	Elec Fan	5770	11.87
230	2070F_2	7.517	231	1.85	Shaft Fan	6670	10.27
230	2080F_2	7.638	324	2.59	Shaft Fan	4800	13.30
190	2060F_2	9.269	128	1.02	Elec Fan	6140	13.50
190	2070F_2	8.996	193	1.54	Shaft Fan	7570	10.95
190	2080F_2	8.923	272	2.18	Shaft Fan	5460	15.18
155	2070F_2	11.08	159	1.27	Shaft Fan	8210	12.38
155	2080F_2	11.13	231	1.85	Shaft Fan	6350	16.00
155	2090F_2	11.51	312	2.50	Shaft Fan	11000	9.24
125	2070F_2	13.50	131	1.05	Elec Fan	8500	14.82
125	2080F_2	13.67	189	1.51	Shaft Fan	7480	16.84
125	2090F_2	13.98	269	2.15	Shaft Fan	11900	10.59
125	2100F_2	14.01	359	2.87	Shaft Fan	13400	9.40
100	2080F_2	17.34	149	1.19	Shaft Fan	8900	21.06
100	2090F_2	16.78	235	1.88	Shaft Fan	11900	13.24
100	2100F_2	17.29	309	2.47	Shaft Fan	13400	11.75
84	2090F_2	21.01	188	1.50	Shaft Fan	14000	13.39
84	2100F_2	21.58	256	2.05	Shaft Fan	15500	12.10
68	2090F_2	25.66	155	1.24	Shaft Fan	14000	16.54
68	2100F_2	25.55	226	1.81	Shaft Fan	16900	13.71
68	2110F_2	25.39	307	2.46	None	16800	15.97
56	2090F_2	31.15	133	1.06	Shaft Fan	14000	20.09
56	2100F_2	31.21	183	1.46	Shaft Fan	17000	16.54
56	2110F_2	31.12	263	2.10	None	18100	16.74
56	2120F_2	31.89	353	2.82	None	19000	14.80
45	2100F_3	40.24	135	1.08	Shaft Fan	17000	20.59
45	2110F_3	38.38	196	1.57	None	18500	20.83
45	2120F_3	39.36	269	2.15	None	19000	18.42
45	2130F_3	39.60	332	2.66	None	22500	15.56
37	2110F_3	46.56	168	1.34	None	18500	23.01
37	2120F_3	47.71	239	1.91	None	19000	22.40
37	2130F_3	47.26	322	2.58	None	22500	18.92
30	2110F_3	56.56	145	1.16	None	18500	28.38
30	2120F_3	57.02	202	1.62	None	19000	27.63
30	2130F_3	57.30	276	2.21	None	22500	23.33
25	2110F_3	68.94	125	1.00	None	18500	34.05
25	2120F_3	68.05	169	1.35	None	19000	33.16
25	2130F_3	68.47	237	1.90	None	22500	28.00
20	2120F_3	88.15	131	1.05	None	19000	41.45
20	2130F_3	81.72	200	1.60	None	22500	35.00
16.5	2130F_3	105.9	150	1.20	None	22500	43.75
13.5	2130F_3	128.5	127	1.02	None	22500	53.85

Motors are available from Falk or Falk Distributors.

125 HP/444T Motor

Energy Efficient Motor  
Falk Part No. 2918120  
TEFC, 1750 rpm  
460 Volts,  
3 Phase, 60 Hz,  
NEMA B,  
1.15 Service Factor

Premium Efficiency Motor  
Falk Part No. 2918140  
TEFC, 1750 rpm  
460 Volts,  
3 Phase, 60 Hz,  
NEMA B,  
1.15 Service Factor

Motors meeting other specifications are available upon request.

(See footnotes on Page 15.)

# Quick Selection Tables

## 150 HP/1750 rpm/445T Motor\*

Approx. L.S. Shaft rpm	DRIVE SIZE & Reduction	Exact Ratio	HP Rating	Service Factor	Minimum Cooling Required	L.S. Shaft OHL Capacity (lb)†	Minimum L.S. Shaft Sprocket Pitch Dia‡
1170	2060F_2	1.548	190	1.27	Shaft Fan	4360	3.71
950	2060F_2	1.833	172	1.15	Shaft Fan	4420	4.50
950	2070F_2	1.783	282	1.88	Shaft Fan	4810	4.14
860	2060F_2	2.027	172	1.15	Shaft Fan	4580	4.80
860	2070F_2	2.062	282	1.88	Shaft Fan	4870	4.51
780	2070F_2	2.197	279	1.86	Shaft Fan	5120	4.73
700	2070F_2	2.541	279	1.86	Shaft Fan	5190	5.20
640	2070F_2	2.683	239	1.59	Shaft Fan	5590	5.28
575	2070F_2	3.103	239	1.59	Shaft Fan	5590	5.88
520	2070F_2	3.211	193	1.29	Shaft Fan	6280	5.79
470	2070F_2	3.713	193	1.29	Shaft Fan	6280	6.40
420	2070F_2	3.954	164	1.09	Shaft Fan	6280	7.17
380	2070F_2	4.573	164	1.09	Shaft Fan	6690	7.43
350	2060F_2	4.998	172	1.15	Electric Fan	5110	10.57
350	2070F_2	4.996	255	1.70	Electric Fan	6060	8.91
350	2080F_2	5.161	370	2.47	Shaft Fan	4720	11.44
280	2070F_2	6.155	258	1.72	Electric Fan	6190	10.90
280	2080F_2	6.290	362	2.41	Shaft Fan	4370	15.45
230	2070F_2	7.517	231	1.54	Electric Fan	6670	12.32
230	2080F_2	7.638	324	2.16	Shaft Fan	5150	15.96
190	2070F_2	8.996	193	1.29	Electric Fan	7570	13.14
190	2080F_2	8.923	272	1.81	Shaft Fan	5460	18.22
190	2090F_2	9.257	386	2.57	Shaft Fan	10300	9.66
155	2070F_2	11.08	159	1.06	Electric Fan	8210	14.85
155	2080F_2	11.13	231	1.54	Shaft Fan	6350	19.20
155	2090F_2	11.51	312	2.08	Shaft Fan	11000	11.09
155	2100F_2	11.58	411	2.74	None	12600	9.68
125	2080F_2	13.67	189	1.26	Electric Fan	7480	20.21
125	2090F_2	13.98	269	1.79	Shaft Fan	11900	12.71
125	2100F_2	14.01	359	2.39	Shaft Fan	13400	11.28
100	2090F_2	16.78	235	1.57	Shaft Fan	11900	15.88
100	2100F_2	17.29	309	2.06	Shaft Fan	13400	14.10
100	2110F_2	17.01	433	2.89	None	13300	20.86
84	2090F_2	21.01	188	1.25	Shaft Fan	14000	16.07
84	2100F_2	21.58	256	1.71	Shaft Fan	15500	14.52
84	2110F_2	20.76	401	2.67	None	12400	18.15
68	2090F_2	25.66	155	1.03	Shaft Fan	14000	19.85
68	2100F_2	25.55	226	1.51	Shaft Fan	16900	16.45
68	2110F_2	25.39	307	2.05	None	16800	19.17
68	2120F_2	25.91	439	2.93	None	17500	15.88
56	2100F_2	31.21	183	1.22	Shaft Fan	17000	19.85
56	2110F_2	31.12	263	1.75	None	18100	20.09
56	2120F_2	31.89	353	2.35	None	19000	17.76
45	2110F_3	38.38	196	1.31	Shaft Fan	18500	25.00
45	2120F_3	39.36	269	1.79	None	19000	22.11
45	2130F_3	39.60	332	2.21	None	22500	18.67
37	2110F_3	46.56	168	1.12	Shaft Fan	18500	27.61
37	2120F_3	47.71	239	1.59	None	19000	26.88
37	2130F_3	47.26	322	2.15	None	22500	22.70
30	2120F_3	57.02	202	1.35	None	19000	33.16
30	2130F_3	57.30	276	1.84	None	22500	28.00
25	2120F_3	68.05	169	1.13	None	19000	39.79
25	2130F_3	68.47	237	1.58	None	22500	33.60
20	2130F_3	81.72	200	1.33	None	22500	42.00
16.5	2130F_3	105.9	150	1.00	None	22500	50.91

Motors are available from Falk or Falk Distributors.

150 HP/445T Motor

Energy Efficient Motor  
Falk Part No. 2918121  
TEFC, 1750 rpm  
460 Volts,  
3 Phase, 60 Hz,  
NEMA B,  
1.15 Service Factor

Premium Efficiency Motor  
Falk Part No. 2918141  
TEFC, 1750 rpm  
460 Volts,  
3 Phase, 60 Hz,  
NEMA B,  
1.15 Service Factor

Motors meeting other specifications are available upon request.

(See footnotes on Page 15.)

## 200 HP/1750 rpm\*

Approx. L.S. Shaft rpm	DRIVE SIZE & Reduction	Exact Ratio	HP Rating	Service Factor	Minimum Cooling Required	L.S. Shaft OHL Capacity (lb)†	Minimum L.S. Shaft Sprocket Pitch Dia†	
950	2070F_2	1.783	282	1.41	Electric Fan	4810	5.51	
860	2070F_2	2.062	282	1.41	Electric Fan	4870	6.02	
780	2070F_2	2.197	279	1.40	Electric Fan	5120	6.31	
700	2070F_2	2.541	279	1.40	Electric Fan	5190	6.94	
640	2070F_2	2.683	239	1.20	Electric Fan	5590	7.04	
575	2070F_2	3.103	239	1.20	Electric Fan	5590	7.84	
350	2070F_2	4.996	255	1.28	Electric Fan	6060	11.88	
350	2080F_2	5.161	370	1.85	Electric Fan	4720	15.25	
350	2090F_2	5.050	599	3.00	Shaft Fan	8620	8.35	Motors are available from Falk or Falk Distributors.
280	2070F_2	6.155	258	1.29	Electric Fan	6190	14.54	
280	2080F_2	6.290	362	1.81	Electric Fan	4370	20.59	
280	2090F_2	6.050	538	2.69	Shaft Fan	8870	10.15	
230	2070F_2	7.517	231	1.16	Electric Fan	6670	16.43	200 HP Motor
230	2080F_2	7.638	324	1.62	Electric Fan	5150	21.27	
230	2090F_2	7.581	451	2.25	Shaft Fan	8870	12.35	Energy Efficient Motor Falk Part No. 2918122 TEFC, 1750 rpm
190	2080F_2	8.923	272	1.36	Electric Fan	5460	24.29	460 Volts,
190	2090F_2	9.257	386	1.93	Shaft Fan	10300	12.88	3 Phase, 60 Hz,
190	2100F_2	9.218	497	2.48	Shaft Fan	11900	11.15	NEMA B, 445T,
155	2080F_2	11.13	231	1.16	Electric Fan	6350	25.60	1.15 Service Factor
155	2090F_2	11.51	312	1.56	Shaft Fan	11000	14.78	
155	2100F_2	11.58	411	2.06	Shaft Fan	12600	12.90	
125	2090F_2	13.98	269	1.35	Shaft Fan	11900	16.94	Premium Efficiency Motor Falk Part No. 2918142 TEFC, 1750 rpm
125	2100F_2	14.01	359	1.80	Shaft Fan	13400	15.04	460 Volts,
125	2110F_2	13.94	519	2.60	Shaft Fan	9060	22.25	3 Phase, 60 Hz,
100	2090F_2	16.78	235	1.18	Shaft Fan	11900	21.18	NEMA B, 447T
100	2100F_2	17.29	309	1.55	Shaft Fan	13400	18.81	1.15 Service Factor
100	2110F_2	17.01	433	2.17	Shaft Fan	13300	27.81	
84	2100F_2	21.58	256	1.28	Shaft Fan	15500	19.35	
84	2110F_2	20.76	401	2.00	Shaft Fan	12400	24.19	
84	2120F_2	21.12	510	2.55	None	16100	18.63	
68	2100F_2	25.55	226	1.13	Shaft Fan	16900	21.93	Motors meeting other specifications are available upon request.
68	2110F_2	25.39	307	1.54	Shaft Fan	16800	25.56	
68	2120F_2	25.91	439	2.20	None	17500	21.18	
68	2130F_2	25.36	582	2.91	None	22500	16.47	
56	2110F_2	31.12	263	1.32	Shaft Fan	18100	26.79	
56	2120F_2	31.89	353	1.77	None	19000	23.68	
56	2130F_2	30.89	477	2.38	None	22500	20.00	
45	2120F_3	39.36	269	1.35	Shaft Fan	19000	29.47	
45	2130F_3	39.60	332	1.66	Shaft Fan	22500	24.89	
37	2120F_3	47.71	239	1.20	Shaft Fan	19000	35.85	
37	2130F_3	47.26	322	1.61	Shaft Fan	22500	30.27	
30	2120F_3	57.02	202	1.01	Shaft Fan	19000	44.21	
30	2130F_3	57.30	276	1.38	Shaft Fan	22500	37.33	
25	2130F_3	68.47	237	1.19	Shaft Fan	22500	44.80	
20	2130F_3	81.72	200	1.00	Shaft Fan	22500	56.00	

(See footnotes on Page 15.)

# How to Select/Rating Table Method by Horsepower or Torque

## Selection Information

The Quick Selection Method may be used in place of the Horsepower and Torque Rating Table Method if the application meets the following guidelines:

- 1750 rpm input
- Standard ratios for double, triple or quadruple reductions
- NOTE: If you have an unusual application involving any of the following conditions refer to Pages 6 & 7.
- Excessive Overloads
- Reversing Service
- Brake Equipped Applications
- Oversized Prime Movers
- Multi-Speed or Variable Speed Applications
- Excessive Ambient Temperatures
- Thermal Rating Application Factors
- Excessive Overhung Loads or Thrust Loads
- Product Modifications
- Non-Standard Motors or Prime Movers
- Non-Standard Motor Bracket Applications
- Non-Horizontal Mounting Positions

## How to Select By Horsepower

1. Determine Service Factor or Load Classification Factor — See Pages 8 & 9 or 10 & 11.
2. Calculate Equivalent Horsepower — Multiply the actual horsepower to be transmitted by the Service Factor.
3. Determine Drive Input Speed, Output Speed and Ratio.
4. Determine Drive Size — Select the nearest standard ratio from the Horsepower Rating Tables starting on Page 33. Opposite the high speed shaft rpm, and the desired ratio and output speed, trace right to a horsepower capacity equal to or in excess of the equivalent horsepower calculated in Step 2. Read the drive size at the top of the column. When the required input speed falls between two tabulated input speeds of a drive with the same number of gear reductions, interpolate to determine gear drive rating.
5. Select Drive Configuration — Type FC or FZ. See Pages 58-61.
6. Check Thermal Horsepower Ratings — See Page 42 for instructions.
7. Check Overhung Loads and Thrust Capacity — See Pages 48-55 for instructions.
8. Check Gear Drive Dimensions — Pages 58 thru 61.
9. Place the Order — See Page 14 for How to Order.

## Example

Application: Belt conveyor, uniformly fed, requires 13 hp at the head shaft.

Duty Cycle: 10 hours per day.

Driver: 17 hp multi-cylinder engine, 1600 rpm, coupling connected to drive.

Output: 115 rpm.

1. From Service Factor table, Page 9. . . motor driven, uniformly fed, belt conveyor, 10 hour service requires 1.25 Service Factor. From Table 2, Page 8, convert this service factor for motor drive to 1.50 for engine drive.
2. Equivalent horsepower —  $1.50 \times 13 = 19.5$  hp.
3. Input Speed is 1600 rpm, output is 115 rpm, resulting in a required ratio of 13.9:1.

4. Refer to the Horsepower Ratings/Double Reduction Selection Table on Page 34 for ratios 1.50 through 31.39.
  - A. Since 1600 rpm input is not listed, proportion the equivalent horsepower to the nearest published input speed:  $1750 \div 1600 \times 19.5 = 21.3$  hp. In the 1750 high speed shaft section opposite 13.95 ratio, trace right to 28.1 (nearest hp exceeding equivalent hp) and read drive size 2040 at the top of column.
5. For this example we will assume that a Type FC horizontal concentric shaft drive is desired.
6. Check the thermal rating on Page 45, since the thermal hp capacity of the 2040F2 exceeds the required hp(13hp) at both 1750 and 1430 rpm, no additional cooling is required. (NOTE: for actual thermal capacity interpolate between values at 1750 and 1430 rpm).
7. Refer to Page 48 if a chain drive is required between the gear drive low speed shaft and the conveyor. The drive overhung load capacity must be checked.
8. Dimensions and weights for this drive are listed on Page 58.
9. Place the order for the gear drive per instructions on Page 14.

## How to Select By Torque

Simply follow the steps outlined in the horsepower method, substituting torque values for horsepower.

To check thermal capacity, convert the actual required torque to horsepower and check against the thermal rating. To convert, use the torque (lb.-in.) and speed (rpm) at low speed shaft of the drive in the following formula:

$$\text{hp} = \frac{\text{torque} \times \text{output speed}}{63,000}$$

## Example

A drive to power a traveling water intake screen, 24 hours per day, is to deliver 30,000 pound-inches output torque when output shaft operates at 5 rpm. Source of power is a 3 hp, 1750 rpm motor.

1. From Service Factor table, Page 9. . .traveling water screen requires 1.25 Service Factor for 24 hour service.
2. Equivalent Torque —  $1.25 \times 30,000 = 37,500$  pound-inches.
3. Input speed is 1750 rpm, output is 5 rpm, resulting in a required ratio of 350:1.
4. Refer to the output Torque Capacity/Quadruple Reduction Selection Table on Page 41. Closest standard ratio is 357.5. In the 1750 high speed shaft section, opposite 357.5 ratio, trace right to 45.2 (x 1000) (nearest torque exceeding equivalent torque) and read drive size 2060 at top of column.
5. For this example we will assume that a Type FC horizontal concentric shaft drive is desired.
6. Check thermal rating, Page 46. Convert torque to horsepower.

$$\frac{30,000 \times 5}{63,000} = 2.38 \text{ hp}$$

The thermal rating is 18.6 for a size 2060F4 which exceeds the application hp is satisfactory.

7. Refer to Page 48 to check overhung load capacity if a chain drive is required on the low speed shaft.
8. Dimensions and weights for this drive are given on Page 60.
9. Place the order for the drive per instructions on Page 14.



# Horsepower & Torque Ratings/Double Reduction

(TORQUE IS IN POUND INCHES AT LOW SPEED SHAFT...  
MULTIPLY VALUES LISTED BELOW BY 1000)

High Speed Shaft rpm	Nominal Ratios ±4%	Approx. L.S. Shaft rpm	HORSEPOWER ♦						TORQUE †					
			DRIVE SIZE						DRIVE SIZE					
			2040	2050	2060	2070	2080	2090	2040	2050	2060	2070	2080	2090
3500	1.50	2340	93.5	187	308	...	645	973	2.47	4.97	8.58		18.1	26.3
	1.84	1900	82.5	142	280	459	602	880	2.70	4.66	9.24	14.7	20.4	28.5
	2.03	1720	82.5	187	280	459	602	973	3.05	6.83	10.2	17.0	22.3	36.6
	2.25	1560	81.3	147	243	454	588	763	3.21	5.96	10.0	18.0	24.3	31.0
	2.49	1400	73.7	166	243	454	588	880	3.28	7.48	11.1	20.8	26.5	39.7
	2.76	1280	64.7	129	231	412	526	666	3.17	6.27	11.8	19.9	26.4	33.0
	3.05	1150	64.7	147	231	412	526	763	3.58	8.19	13.0	23.0	28.8	43.1
	3.38	1040	56.4	114	209	375	443	603	3.33	6.74	12.8	21.7	26.0	37.2
	3.74	940	56.4	129	209	375	443	666	3.76	8.62	14.1	25.1	28.3	45.9
	4.13	840	48.0	98.2	185	325	434	516	3.56	7.07	13.8	23.1	31.8	38.7
	4.57	760	48.0	114	185	322	434	603	4.02	9.26	15.2	26.5	34.6	51.7
	5.06	700	93.5	186	280	415	602	973	8.29	16.7	25.2	37.3	55.9	88.4
	6.20	560	82.5	163	243	419	588	874	9.09	18.0	27.4	46.4	66.6	95.2
	7.59	460	72.7	141	231	381	526	732	9.64	19.3	32.1	51.6	72.3	99.9
	9.30	380	62.0	126	209	337	443	627	10.2	20.7	34.9	54.6	71.2	104
	11.39	310	54.0	110	185	302	394	506	10.7	21.9	37.5	60.2	78.9	105
	13.95	250	45.7	96.5	160	256	338	437	11.4	23.5	39.5	62.2	83.2	110
	17.09	200	39.7	82.7	131	199	272	382	12.0	24.8	40.5	62.1	84.9	115
	20.93	168	35.3	68.1	111	166	225	305	12.6	25.2	42.2	61.4	85.0	115
	25.63	136	23.8	49.9	97.0	129	184	253	10.8	22.7	44.7	58.3	83.4	117
31.39	112	20.8	42.8	77.4	102	148	224	11.0	23.2	44.1	57.1	83.0	126	
2900	1.50	1900	82.0	164	270	...	566	853	2.61	5.26	9.08		19.2	27.9
	1.84	1560	72.3	125	245	402	527	771	2.86	4.95	9.76	15.6	21.6	30.2
	2.03	1400	72.3	164	245	402	527	853	3.23	7.23	10.8	18.0	23.5	38.7
	2.25	1280	71.3	129	213	398	515	669	3.39	6.31	10.6	19.0	25.7	32.8
	2.49	1150	64.6	145	213	398	515	771	3.47	7.89	11.7	22.0	28.0	41.9
	2.76	1040	56.7	113	203	361	461	584	3.35	6.63	12.5	21.0	28.0	35.0
	3.05	940	56.7	129	203	361	461	669	3.79	8.67	13.8	24.3	30.5	45.6
	3.38	840	49.4	99.6	183	320	388	528	3.52	7.10	13.5	22.3	27.5	39.3
	3.74	760	49.4	113	183	320	388	584	3.98	9.12	14.9	25.8	29.9	48.6
	4.13	700	42.0	86.1	162	269	380	453	3.76	7.48	14.5	23.1	33.6	41.0
	4.57	620	42.0	99.6	162	269	380	528	4.25	9.76	16.1	26.7	36.6	54.6
	5.06	560	82.0	163	245	364	527	853	8.78	17.6	26.6	39.5	59.1	93.6
	6.20	460	72.3	142	213	368	515	767	9.62	19.0	28.9	49.2	70.4	101
	7.59	380	63.7	124	203	334	461	642	10.2	20.5	34.0	54.5	76.5	106
	9.30	310	54.4	110	183	295	388	550	10.8	21.8	36.8	57.7	75.2	111
	11.39	250	47.4	96.6	162	259	345	444	11.4	23.2	39.6	62.3	83.4	111
	13.95	200	40.1	84.6	140	214	296	383	12.1	24.8	41.7	62.8	87.9	116
	17.09	168	34.8	69.6	111	165	238	335	12.7	25.2	41.5	62.1	89.6	122
	20.93	136	30.9	56.6	97.5	138	186	268	13.3	25.3	44.7	61.6	84.8	122
	25.63	112	20.8	43.7	80.7	109	154	221	11.4	24.0	44.9	59.5	84.2	123
31.39	90	18.2	37.6	65.5	85.6	125	196	11.6	24.6	45.1	57.8	84.6	133	
2400	1.50	1560	71.8	144	236	...	496	747	2.76	5.58	9.59		20.3	29.5
	1.84	1280	63.3	109	215	352	462	676	3.02	5.21	10.3	16.5	22.9	32.0
	2.03	1150	63.3	144	215	352	462	747	3.42	7.67	11.4	19.1	24.9	41.0
	2.25	1040	62.4	113	186	349	451	586	3.59	6.68	11.2	20.1	27.2	34.7
	2.49	940	56.6	127	186	349	451	676	3.68	8.35	12.4	23.3	29.6	44.4
	2.76	840	49.7	98.8	178	316	404	511	3.55	7.01	13.2	22.3	29.6	37.0
	3.05	760	49.7	113	178	316	404	586	4.01	9.18	14.6	25.7	32.2	48.3
	3.38	700	43.3	87.2	160	265	340	452	3.73	7.51	14.3	22.3	29.1	40.7
	3.74	620	43.3	98.8	160	265	340	511	4.21	9.63	15.8	25.8	31.7	51.4
	4.13	560	36.8	75.4	142	223	319	385	3.98	7.92	15.4	23.1	34.1	42.1
	4.57	510	36.8	87.2	142	223	319	452	4.50	10.3	17.0	26.8	37.1	56.5
	5.06	460	71.8	143	215	319	462	747	9.29	18.7	28.2	41.8	62.6	99.0
	6.20	380	63.3	125	186	322	451	671	10.2	20.2	30.5	52.0	74.5	107
	7.59	310	55.8	109	178	293	404	562	10.8	21.7	36.0	57.8	81.0	112
	9.30	250	47.6	96.5	160	259	340	481	11.4	23.1	38.9	61.2	79.6	117
	11.39	200	41.5	84.7	142	216	303	389	12.0	24.6	42.0	62.8	88.5	118
	13.95	168	35.1	71.0	123	178	257	336	12.8	25.2	44.3	63.1	92.2	123
	17.09	136	30.5	57.8	93.4	138	198	294	13.5	25.3	42.2	62.8	90.1	129
	20.93	112	26.1	47.0	81.0	116	157	234	13.6	25.4	44.9	62.5	86.5	129
	25.63	90	18.2	38.3	67.0	91.5	130	194	12.1	25.4	45.1	60.3	85.9	131
31.39	74	16.0	32.2	54.3	71.7	105	172	12.4	25.5	45.2	58.5	85.9	141	

♦ When selecting gear drives by hp method, check required hp (without service factor) against the application adjusted thermal hp ratings. For ratings at speeds higher than 3500 rpm, refer to Factory.

† When selecting gear drives by torque method, convert required torque (without service factor) to hp and check against the application adjusted thermal hp ratings. For ratings at speeds higher than 3500 rpm, refer to Factory.

# Horsepower Ratings/Double Reduction

High Speed Shaft rpm	Nominal Ratios ±4%	Approx. L.S. Shaft rpm	DRIVE SIZE ♦																	
			2040	2050	2060	2070	2080	2090	2100	2110	2120	2130								
1750	1.50	1170	57.6	115	190		397	599												
	1.84	950	50.8	87.5	172	282	370	542												
	2.03	860	50.8	115	172	282	370	599												
	2.25	780	50.1	90.3	149	279	362	470												
	2.49	700	45.4	102	149	279	362	542												
	2.76	640	39.8	79.2	142	239	324	410												
	3.05	575	39.8	90.3	142	239	324	470												
	3.38	520	34.7	68.0	128	193	272	330												
	3.74	470	34.7	79.2	128	193	272	410												
	4.13	420	28.5	56.7	114	164	233	281												
	4.57	380	28.5	68.0	114	164	233	330												
	5.06	350	57.6	114	172	255	370	599	762											
	6.20	280	50.8	100	149	258	362	538	647											
	7.59	230	44.7	87.0	142	231	324	451	568											
	9.30	190	38.2	76.5	128	193	272	386	497	750										
	11.39	155	33.3	63.2	110	159	231	312	411	627	869									
	13.95	125	28.1	52.1	90.7	131	189	269	359	519	753									
	17.09	100	23.3	42.3	69.8	102	149	235	309	433	629									
	20.93	84	19.3	34.4	59.3	84.8	117	188	256	401	510									
	25.63	68	14.6	28.0	49.0	68.0	96.7	155	226	307	439									
31.39	56	12.8	23.5	39.7	53.1	77.7	133	183	263	353										
1430	1.50	950	50.0	98.5	157		345	520												
	1.84	780	44.1	76.0	149	245	322	470												
	2.03	700	44.1	98.5	149	245	322	520												
	2.25	640	43.5	75.2	130	228	314	408												
	2.49	575	39.4	88.1	130	228	314	470												
	2.76	520	33.9	67.8	124	195	281	356												
	3.05	470	33.9	75.2	124	195	281	408												
	3.38	420	29.5	56.4	111	160	237	269												
	3.74	380	29.5	67.8	111	160	237	356												
	4.13	350	23.5	46.9	96.1	136	194	230												
	4.57	310	23.5	56.4	96.1	136	194	269												
	5.06	280	50.0	98.5	149	222	322	520	661											
	6.20	230	44.1	86.8	130	224	314	467	562											
	7.59	190	38.8	75.1	124	190	274	391	493											
	9.30	155	33.1	62.8	109	160	235	335	432	651										
	11.39	125	28.9	51.9	90.4	130	190	269	357	513	754									
	13.95	100	23.3	42.7	74.4	107	155	230	312	424	635									
	17.09	84	19.2	34.7	57.7	84.0	123	199	265	357	514									
	20.93	68	15.9	28.1	48.6	69.3	96.9	161	213	334	423									
	25.63	56	12.7	22.9	40.1	56.1	79.8	132	186	255	360									
31.39	45	10.9	19.2	32.4	43.7	64.0	109	152	218	293										
1170	1.50	780	43.0	82.2	129		287	442												
	1.84	640	38.3	66.0	130	213	279	396												
	2.03	575	38.3	82.2	130	213	279	442												
	2.25	520	37.8	62.4	113	188	273	341												
	2.49	470	34.2	73.3	113	188	273	396												
	2.76	420	28.1	56.2	107	163	244	295												
	3.05	380	28.1	62.4	107	163	237	341												
	3.38	350	24.4	46.6	94.1	133	206	224												
	3.74	310	24.4	56.2	94.1	133	205	295												
	4.13	280	19.4	38.7	79.6	113	161	188												
	4.57	255	19.4	46.5	79.6	113	161	224												
	5.06	230	43.0	82.2	130	193	279	442	575											
	6.20	190	38.3	73.3	113	188	272	396	488											
	7.59	155	33.7	61.7	107	156	225	340	428											
	9.30	125	28.1	51.6	89.8	131	194	291	375	558										
	11.39	100	23.9	42.6	74.2	107	156	224	310	420	617									
	13.95	84	19.1	35.0	61.0	88.1	127	188	271	352	519									
	17.09	68	15.7	28.4	47.7	68.9	101	165	221	298	421									
	20.93	56	13.1	23.1	39.8	56.7	80.1	132	177	277	352									
	25.63	45	10.5	18.8	32.8	46.2	65.9	108	152	211	296									
31.39	37	8.96	15.8	26.5	36.0	52.7	89.4	125	180	241										

♦ (See footnote on Page 33.)

# Torque Ratings/Double Reduction

(TORQUE IS IN POUND INCHES AT LOW SPEED SHAFT . . . MULTIPLY VALUES LISTED BELOW BY 1000)

High Speed Shaft rpm	Nominal Ratios ±4%	Approx. L.S. Shaft rpm	DRIVE SIZE †															
			2040	2050	2060	2070	2080	2090	2100	2110	2120	2130						
<b>1750</b>	<b>1.50</b>	<b>1170</b>	3.04	6.11	10.6		22.3	32.4										
	<b>1.84</b>	<b>950</b>	3.33	5.74	11.4	18.1	25.1	35.2										
	<b>2.03</b>	<b>860</b>	3.76	8.40	12.6	20.9	27.4	45.1										
	<b>2.25</b>	<b>780</b>	3.95	7.32	12.3	22.1	30.0	38.2										
	<b>2.49</b>	<b>700</b>	4.05	9.19	13.6	25.5	32.6	48.8										
	<b>2.76</b>	<b>640</b>	3.90	7.71	14.5	23.1	32.6	40.7										
	<b>3.05</b>	<b>575</b>	4.41	10.1	16.0	26.7	35.5	53.1										
	<b>3.38</b>	<b>520</b>	4.10	8.04	15.7	22.3	31.9	40.7										
	<b>3.74</b>	<b>470</b>	4.63	10.6	17.3	25.8	34.8	56.5										
	<b>4.13</b>	<b>420</b>	4.23	8.17	17.0	23.3	34.1	42.1										
	<b>4.57</b>	<b>380</b>	4.78	11.0	18.7	27.0	37.2	56.6										
	<b>5.06</b>	<b>350</b>	10.2	20.4	31.0	45.9	68.7	109	139									
	<b>6.20</b>	<b>280</b>	11.2	22.1	33.6	57.2	82.0	117	149									
	<b>7.59</b>	<b>230</b>	11.9	23.8	39.4	62.5	89.1	123	156									
	<b>9.30</b>	<b>190</b>	12.6	25.1	42.7	62.5	87.4	129	165	256								
	<b>11.39</b>	<b>155</b>	13.2	25.2	44.6	63.4	92.5	129	171	259	361							448
	<b>13.95</b>	<b>125</b>	14.0	25.3	44.8	63.7	93.0	135	181	260	380							481
	<b>17.09</b>	<b>100</b>	14.1	25.4	43.2	63.6	93.0	142	192	265	393							490
<b>20.93</b>	<b>84</b>	13.8	25.5	45.1	62.7	88.4	142	199	300	388							486	
<b>25.63</b>	<b>68</b>	13.3	25.5	45.2	61.5	87.6	143	208	281	409							531	
<b>31.39</b>	<b>56</b>	13.6	25.5	45.3	59.4	87.1	149	206	295	405							531	
<b>1430</b>	<b>1.50</b>	<b>950</b>	3.23	6.40	10.7		23.7	34.4										
	<b>1.84</b>	<b>780</b>	3.54	6.10	12.0	19.2	26.8	37.3										
	<b>2.03</b>	<b>700</b>	4.00	8.80	13.3	22.3	29.1	47.9										
	<b>2.25</b>	<b>640</b>	4.20	7.46	13.1	22.1	31.8	40.6										
	<b>2.49</b>	<b>575</b>	4.30	9.72	14.5	25.5	34.6	51.8										
	<b>2.76</b>	<b>520</b>	4.07	8.07	15.4	23.1	34.6	43.2										
	<b>3.05</b>	<b>470</b>	4.59	10.3	17.1	26.7	37.6	56.4										
	<b>3.38</b>	<b>420</b>	4.26	8.16	16.6	22.6	34.1	40.6										
	<b>3.74</b>	<b>380</b>	4.82	11.1	18.4	26.2	37.1	60.1										
	<b>4.13</b>	<b>350</b>	4.27	8.27	17.5	23.7	34.8	42.2										
	<b>4.57</b>	<b>310</b>	4.82	11.2	19.3	27.4	37.9	56.5										
	<b>5.06</b>	<b>280</b>	10.9	21.6	32.8	48.9	73.2	116	148									
	<b>6.20</b>	<b>230</b>	11.9	23.5	35.8	60.7	87.0	124	159									
	<b>7.59</b>	<b>190</b>	12.6	25.1	42.1	62.9	92.2	131	166									
	<b>9.30</b>	<b>155</b>	13.4	25.2	44.5	63.4	92.4	137	175	271								
	<b>11.39</b>	<b>125</b>	14.0	25.3	44.8	63.4	93.1	136	182	259	383							476
	<b>13.95</b>	<b>100</b>	14.2	25.4	45.0	63.6	93.4	142	193	260	392							481
	<b>17.09</b>	<b>84</b>	14.2	25.5	43.7	64.1	94.0	147	202	268	393							490
<b>20.93</b>	<b>68</b>	13.9	25.5	45.2	62.7	89.6	149	202	306	394							487	
<b>25.63</b>	<b>56</b>	14.1	25.5	45.3	62.1	88.5	149	209	285	411							555	
<b>31.39</b>	<b>45</b>	14.1	25.5	45.2	59.8	87.8	150	209	299	412							540	
<b>1170</b>	<b>1.50</b>	<b>780</b>	3.39	6.53	10.8		24.1	35.8										
	<b>1.84</b>	<b>640</b>	3.75	6.47	12.8	20.5	28.3	38.4										
	<b>2.03</b>	<b>575</b>	4.24	8.98	14.2	23.7	30.9	49.7										
	<b>2.25</b>	<b>520</b>	4.46	7.57	14.0	22.2	33.8	41.4										
	<b>2.49</b>	<b>470</b>	4.56	9.88	15.4	25.7	36.8	53.4										
	<b>2.76</b>	<b>420</b>	4.12	8.18	16.3	23.6	36.7	43.8										
	<b>3.05</b>	<b>380</b>	4.65	10.4	18.0	27.2	38.8	57.6										
	<b>3.38</b>	<b>350</b>	4.31	8.24	17.2	23.0	36.2	41.3										
	<b>3.74</b>	<b>310</b>	4.87	11.2	19.0	26.6	39.2	60.8										
	<b>4.13</b>	<b>280</b>	4.30	8.34	17.7	24.1	35.3	42.2										
	<b>4.57</b>	<b>255</b>	4.86	11.3	19.6	27.8	38.4	57.5										
	<b>5.06</b>	<b>230</b>	11.4	22.0	35.0	51.9	77.5	120	157									
	<b>6.20</b>	<b>190</b>	12.6	24.3	38.1	62.3	92.1	129	169									
	<b>7.59</b>	<b>155</b>	13.4	25.2	44.4	63.1	92.5	139	176									
	<b>9.30</b>	<b>125</b>	13.9	25.3	44.8	63.5	93.2	145	186	284								
	<b>11.39</b>	<b>100</b>	14.2	25.4	45.0	63.8	93.5	139	193	259	384							477
	<b>13.95</b>	<b>84</b>	14.3	25.4	45.1	64.0	93.5	142	204	264	391							482
	<b>17.09</b>	<b>68</b>	14.2	25.5	44.2	64.3	94.3	149	206	273	394							492
<b>20.93</b>	<b>56</b>	14.0	25.6	45.3	62.7	90.5	149	206	310	400							497	
<b>25.63</b>	<b>45</b>	14.3	25.6	45.3	62.5	89.3	149	209	288	413							565	
<b>31.39</b>	<b>37</b>	14.2	25.7	45.2	60.2	88.4	150	210	302	414							547	

† (See footnote on Page 33.)

# Horsepower Ratings/Double Reduction

High Speed Shaft rpm	Nominal Ratios ±4%	Approx. L.S. Shaft rpm	DRIVE SIZE ♦														
			2040	2050	2060	2070	2080	2090	2100	2110	2120	2130					
<b>870</b>	1.50	580	32.6	62.4	98.2		213	329									
	1.84	470	28.9	53.7	106	173	212	296									
	2.03	430	28.9	62.4	106	173	212	329									
	2.25	390	29.5	47.2	91.6	143	212	258									
	2.49	350	27.8	55.6	91.6	143	212	296									
	2.76	320	21.1	42.4	82.9	124	187	225									
	3.05	290	21.1	47.2	82.9	124	179	258									
	3.38	260	18.3	35.1	71.2	101	164	171									
	3.74	235	18.3	42.1	71.2	101	154	225									
	4.13	210	14.5	29.1	60.1	85.5	122	140									
	4.57	190	14.5	34.8	60.0	85.5	122	171									
	5.06	175	32.6	62.4	106	151	212	329	467								
	6.20	140	29.1	55.6	91.6	142	204	296	397								
	7.59	115	26.6	46.1	80.5	117	169	258	348								
	9.30	95	21.1	38.5	67.1	98.2	145	221	305	421							
	11.39	77	17.8	31.7	55.4	80.0	116	171	248	321	466			559			
	13.95	62	14.2	26.1	45.5	65.8	95.0	140	206	268	397			470			
	17.09	50	11.7	21.2	35.8	51.4	75.1	123	167	226	313			407			
20.93	42	9.80	17.2	29.6	42.2	60.2	98.4	133	207	267			330				
25.63	34	7.83	14.0	24.4	34.7	49.4	80.7	114	159	221			313				
31.39	28	6.69	11.7	19.7	27.0	39.5	66.6	93.1	135	180			249				
<b>720</b>	1.50	470	27.2	52.2	82.4		177	276									
	1.84	390	24.1	46.4	92.4	149	176	250									
	2.03	350	24.1	52.2	92.4	149	176	276									
	2.25	320	24.5	39.4	80.2	120	178	217									
	2.49	290	24.1	46.4	80.2	120	178	250									
	2.76	260	17.6	35.3	69.2	104	157	189									
	3.05	235	17.6	39.4	69.2	104	149	217									
	3.38	210	15.3	29.2	59.4	84.3	137	143									
	3.74	190	15.3	35.0	59.4	84.3	128	189									
	4.13	175	12.1	24.2	50.1	71.4	102	116									
	4.57	155	12.1	28.9	49.8	71.4	102	143									
	5.06	140	27.2	52.2	92.4	125	176	276	405								
	6.20	115	24.2	46.3	80.2	118	169	250	347								
	7.59	95	22.1	38.2	66.8	97.2	140	217	305								
	9.30	77	17.6	31.9	55.7	81.5	120	183	258	354							
	11.39	62	14.8	26.3	45.9	66.3	96.6	143	206	269	392			471			
	13.95	50	11.8	21.6	37.7	54.5	78.8	116	171	224	333			395			
	17.09	42	9.71	17.6	29.8	42.6	62.3	102	139	189	259			342			
20.93	34	8.14	14.2	24.5	34.9	50.1	81.6	111	172	223			276				
25.63	28	6.49	11.6	20.2	28.8	41.1	66.9	94.1	133	183			262				
31.39	22	5.55	9.71	16.3	22.4	32.8	55.2	77.1	113	149			207				
<b>580</b>	1.50	390	22.1	42.5	67.2		142	226									
	1.84	320	19.6	37.7	77.6	121	141	204									
	2.03	290	19.6	42.5	77.6	121	141	226									
	2.25	260	19.8	31.9	68.9	98.0	145	177									
	2.49	235	19.5	37.7	68.9	98.0	145	204									
	2.76	210	14.3	28.7	56.3	84.3	128	154									
	3.05	190	14.3	31.9	56.3	84.3	121	177									
	3.38	175	12.3	23.7	48.3	68.6	112	116									
	3.74	155	12.3	28.3	48.3	68.6	104	154									
	4.13	140	9.77	19.6	40.7	58.0	82.8	93.1									
	4.57	130	9.77	23.3	40.3	58.0	82.8	116									
	5.06	115	22.1	42.5	77.6	101	141	226	333								
	6.20	95	19.7	37.3	66.3	95.7	137	204	285								
	7.59	77	17.8	30.9	53.9	78.6	113	177	250								
	9.30	62	14.3	25.8	44.9	65.8	97.1	148	208	290							
	11.39	50	11.9	21.2	37.0	53.5	78.0	116	166	220	320			386			
	13.95	42	9.51	17.4	30.4	44.0	63.6	93.1	138	183	272			323			
	17.09	34	7.83	14.2	24.1	34.3	50.2	82.3	112	154	209			279			
20.93	28	6.58	11.5	19.7	28.1	40.6	65.8	89.7	139	181			225				
25.63	22	5.23	9.34	16.3	23.3	33.3	54.0	75.9	108	148			213				
31.39	18	4.48	7.83	13.2	18.1	26.5	44.5	62.2	91.3	120			168				

♦ (See footnote on Page 33.)

# Torque Ratings/Double Reduction

(TORQUE IS IN POUND INCHES AT LOW SPEED SHAFT . . . MULTIPLY VALUES LISTED BELOW BY 1000)

High Speed Shaft rpm	Nominal Ratios ±4%	Approx. L.S. Shaft rpm	DRIVE SIZE †														
			2040	2050	2060	2070	2080	2090	2100	2110	2120	2130					
<b>870</b>	<b>1.50</b>	<b>580</b>	3.46	6.67	11.0		24.1	35.8									
	<b>1.84</b>	<b>470</b>	3.81	7.08	14.1	22.3	29.0	38.6									
	<b>2.03</b>	<b>430</b>	4.30	9.16	15.6	25.8	31.5	49.8									
	<b>2.25</b>	<b>390</b>	4.68	7.70	15.2	22.8	35.3	42.2									
	<b>2.49</b>	<b>350</b>	4.98	10.1	16.8	26.3	38.4	53.7									
	<b>2.76</b>	<b>320</b>	4.16	8.30	17.0	24.1	37.8	44.9									
	<b>3.05</b>	<b>290</b>	4.70	10.6	18.8	27.9	39.4	58.6									
	<b>3.38</b>	<b>260</b>	4.35	8.34	17.5	23.5	38.7	42.4									
	<b>3.74</b>	<b>235</b>	4.91	11.3	19.4	27.2	39.6	62.4									
	<b>4.13</b>	<b>210</b>	4.33	8.43	18.0	24.5	35.9	42.2									
	<b>4.57</b>	<b>190</b>	4.89	11.4	19.8	28.3	39.1	59.0									
	<b>5.06</b>	<b>175</b>	11.6	22.5	38.4	54.6	79.2	120	172								
	<b>6.20</b>	<b>140</b>	12.9	24.8	41.5	63.3	92.9	130	184								
	<b>7.59</b>	<b>115</b>	14.2	25.4	44.9	63.7	93.5	142	193								
	<b>9.30</b>	<b>95</b>	14.0	25.4	45.0	64.0	93.7	148	204	289							
	<b>11.39</b>	<b>77</b>	14.2	25.4	45.2	64.2	93.5	143	208	266	390						
	<b>13.95</b>	<b>62</b>	14.2	25.5	45.2	64.3	94.1	142	209	271	403						
<b>17.09</b>	<b>50</b>	14.3	25.6	44.6	64.5	94.3	149	209	278	394							
<b>20.93</b>	<b>42</b>	14.1	25.6	45.3	62.8	91.4	150	208	311	408							
<b>25.63</b>	<b>34</b>	14.3	25.6	45.3	63.1	90.0	150	211	292	415							
<b>31.39</b>	<b>28</b>	14.3	25.6	45.2	60.8	89.1	150	210	304	416							
<b>720</b>	<b>1.50</b>	<b>470</b>	3.49	6.74	11.2		24.2	36.3									
	<b>1.84</b>	<b>390</b>	3.84	7.40	14.8	23.3	29.1	39.4									
	<b>2.03</b>	<b>350</b>	4.34	9.26	16.4	26.9	31.6	50.5									
	<b>2.25</b>	<b>320</b>	4.70	7.76	16.1	23.1	35.8	42.9									
	<b>2.49</b>	<b>290</b>	5.22	10.2	17.8	26.7	39.0	54.8									
	<b>2.76</b>	<b>260</b>	4.19	8.35	17.1	24.4	38.4	45.6									
	<b>3.05</b>	<b>235</b>	4.74	10.7	18.9	28.2	39.6	59.6									
	<b>3.38</b>	<b>210</b>	4.39	8.39	17.7	23.7	39.1	42.9									
	<b>3.74</b>	<b>190</b>	4.96	11.4	19.5	27.4	39.8	63.3									
	<b>4.13</b>	<b>175</b>	4.36	8.47	18.1	24.7	36.3	42.3									
	<b>4.57</b>	<b>155</b>	4.93	11.4	19.9	28.6	39.5	59.6									
	<b>5.06</b>	<b>140</b>	11.7	22.7	40.4	54.6	79.5	122	180								
	<b>6.20</b>	<b>115</b>	13.0	24.9	43.9	63.5	93.0	132	195								
	<b>7.59</b>	<b>95</b>	14.2	25.4	45.1	63.9	93.6	144	204								
	<b>9.30</b>	<b>77</b>	14.1	25.5	45.2	64.2	93.7	148	208	293							
	<b>11.39</b>	<b>62</b>	14.3	25.5	45.2	64.3	94.0	144	209	270	396						
	<b>13.95</b>	<b>50</b>	14.3	25.5	45.3	64.4	94.3	142	210	273	408						
<b>17.09</b>	<b>42</b>	14.3	25.6	44.8	64.6	94.5	150	210	281	394							
<b>20.93</b>	<b>34</b>	14.1	25.5	45.3	62.7	92.0	150	210	313	412							
<b>25.63</b>	<b>28</b>	14.3	25.7	45.3	63.3	90.5	150	210	295	415							
<b>31.39</b>	<b>22</b>	14.3	25.6	45.2	60.9	89.4	150	211	308	416							
<b>580</b>	<b>1.50</b>	<b>390</b>	3.52	6.81	11.3		24.1	36.9									
	<b>1.84</b>	<b>320</b>	3.88	7.46	15.5	23.4	28.9	39.9									
	<b>2.03</b>	<b>290</b>	4.38	9.36	17.1	27.1	31.5	51.3									
	<b>2.25</b>	<b>260</b>	4.71	7.80	17.2	23.4	36.2	43.4									
	<b>2.49</b>	<b>235</b>	5.24	10.3	19.0	27.0	39.4	55.5									
	<b>2.76</b>	<b>210</b>	4.23	8.42	17.3	24.6	38.8	46.1									
	<b>3.05</b>	<b>190</b>	4.78	10.7	19.1	28.4	40.0	60.3									
	<b>3.38</b>	<b>175</b>	4.38	8.45	17.8	23.9	39.7	43.2									
	<b>3.74</b>	<b>155</b>	4.95	11.4	19.7	27.7	40.1	64.1									
	<b>4.13</b>	<b>140</b>	4.37	8.52	18.3	24.9	36.6	42.1									
	<b>4.57</b>	<b>130</b>	4.94	11.4	20.0	28.8	39.8	60.0									
	<b>5.06</b>	<b>115</b>	11.8	23.0	42.1	54.8	79.0	124	183								
	<b>6.20</b>	<b>95</b>	13.1	24.9	45.1	64.0	93.6	134	199								
	<b>7.59</b>	<b>77</b>	14.2	25.5	45.1	64.2	93.7	146	207								
	<b>9.30</b>	<b>62</b>	14.2	25.6	45.2	64.3	94.1	149	208	298							
	<b>11.39</b>	<b>50</b>	14.3	25.5	45.3	64.4	94.3	145	209	274	401						
	<b>13.95</b>	<b>42</b>	14.3	25.5	45.3	64.5	94.5	141	210	277	414						
<b>17.09</b>	<b>34</b>	14.3	25.7	45.0	64.6	94.5	150	210	285	394							
<b>20.93</b>	<b>28</b>	14.2	25.7	45.2	62.7	92.5	150	210	314	415							
<b>25.63</b>	<b>22</b>	14.3	25.6	45.4	63.6	91.0	150	211	298	417							
<b>31.39</b>	<b>18</b>	14.3	25.7	45.4	61.1	89.7	151	211	309	416							

† (See footnote on Page 33.)

# Horsepower Ratings/ Triple Reduction

High Speed Shaft rpm	Nominal Ratios ±4%	Approx. L.S. Shaft rpm	DRIVE SIZE ♦									
			2040	2050	2060	2070	2080	2090	2100	2110	2120	2130
<b>1750</b>	38.44	45	10.4	18.9	32.3	46.2	63.7	98.7	135	196	269	332
	47.08	37	8.67	15.6	26.9	37.8	53.9	86.3	119	168	239	322
	57.66	30	6.91	12.8	22.2	31.7	44.9	72.3	102	145	202	276
	70.62	25	5.69	10.4	17.1	25.3	36.9	59.8	81.6	125	169	237
	86.50	20	4.79	8.41	14.7	20.8	30.1	49.1	66.2	101	131	200
	105.9	16.5	3.80	6.85	11.4	17.7	23.8	40.4	56.0	82.5	108	150
	129.7	13.5	3.16	5.58	9.54	13.9	19.9	32.3	43.8	65.1	89.7	127
	158.9	11.0	2.50	4.54	7.96	11.9	16.3	26.6	37.0	53.8	73.2	93.6
	194.6	9.0	...	...	6.62	9.65	...	21.6	...	...	...	...
	<b>1430</b>	38.44	37	8.53	15.5	26.7	37.7	52.1	85.7	115	170	233
47.08		30	7.09	12.7	22.0	31.0	44.0	70.7	98.6	143	197	278
57.66		25	5.65	10.5	18.1	25.9	36.7	59.3	83.4	122	165	227
70.62		20	4.65	8.48	14.1	20.7	30.3	48.9	66.8	103	139	195
86.50		16.5	3.92	6.88	12.0	17.0	24.6	40.1	54.2	82.8	107	163
105.9		13.5	3.10	5.60	9.41	14.5	19.5	33.1	45.8	68.0	88.4	124
129.7		11.0	2.59	4.56	7.83	11.4	16.3	26.4	35.8	53.4	73.4	104
158.9		9.0	2.04	3.71	6.54	9.74	13.3	21.7	30.3	44.0	59.9	77.3
194.6		7.5	...	...	5.41	7.89	...	17.7	...	...	...	...
<b>1170</b>		38.44	30	6.99	12.7	21.9	30.9	42.6	70.6	96.1	143	196
	47.08	25	5.80	10.4	18.0	25.5	36.0	57.9	80.8	119	162	230
	57.66	20	4.62	8.56	14.8	21.2	30.0	48.6	68.3	101	135	189
	70.62	16.5	3.81	6.94	11.6	16.9	24.9	40.0	54.7	84.5	114	160
	86.50	13.5	3.21	5.63	9.81	13.9	20.1	32.9	44.3	67.8	87.8	134
	105.9	11.0	2.54	4.58	7.73	11.8	15.9	27.1	37.5	55.7	72.4	103
	129.7	9.0	2.12	3.74	6.40	9.29	13.4	21.6	29.3	43.8	60.1	85.0
	158.9	7.5	1.67	3.04	5.36	7.97	10.9	17.8	24.8	36.1	49.0	63.8
	194.6	6.0	...	...	4.42	6.47	...	14.5	...	...	...	...
	<b>870</b>	38.44	22	5.20	9.42	16.3	23.0	31.7	52.6	72.3	109	146
47.08		18	4.32	7.76	13.4	19.0	26.8	43.1	60.2	90.0	120	172
57.66		15	3.44	6.37	11.0	15.8	22.3	36.2	50.8	76.4	101	142
70.62		12.5	2.83	5.17	8.71	12.6	18.5	29.8	40.7	62.9	84.6	119
86.50		10.0	2.39	4.19	7.29	10.4	15.0	24.4	33.0	50.5	65.3	99.4
105.9		8.3	1.89	3.41	5.78	8.81	11.8	20.1	27.9	41.4	53.8	76.7
129.7		6.8	1.58	2.78	4.76	6.91	9.95	16.1	21.8	32.6	44.7	63.2
158.9		5.5	1.24	2.26	3.99	5.93	8.14	13.2	18.4	26.9	36.5	47.9
194.6		4.5	...	...	3.29	4.81	...	10.8	...	...	...	...
<b>720</b>		38.44	18	4.31	7.80	13.5	19.0	26.2	43.5	59.9	91.1	121
	47.08	15	3.58	6.43	11.1	15.8	22.2	35.7	49.8	75.2	99.7	142
	57.66	12.5	2.85	5.27	9.14	13.1	18.5	29.9	42.1	63.5	83.5	117
	70.62	10.0	2.34	4.28	7.24	10.4	15.4	24.7	33.7	52.1	70.0	98.2
	86.50	8.3	1.98	3.47	6.04	8.58	12.4	20.2	27.3	41.8	54.1	82.2
	105.9	6.8	1.56	2.82	4.80	7.29	9.79	16.7	23.1	34.3	44.6	63.5
	129.7	5.5	1.31	2.30	3.94	5.72	8.24	13.3	18.1	27.0	37.0	52.3
	158.9	4.5	1.03	1.87	3.30	4.91	6.74	11.0	15.3	22.3	30.2	39.8
	194.6	3.8	...	...	2.72	3.99	...	8.91	...	...	...	...
	<b>580</b>	38.44	15	3.47	6.29	10.8	15.3	21.1	35.1	48.3	74.2	97.4
47.08		12.5	2.88	5.18	8.93	12.7	17.9	28.8	40.2	61.1	80.4	115
57.66		10.0	2.29	4.25	7.36	10.5	14.9	24.1	33.9	51.2	67.3	94.5
70.62		8.3	1.89	3.45	5.85	8.39	12.4	19.9	27.2	42.0	56.4	79.1
86.50		6.8	1.60	2.79	4.86	6.91	9.98	16.3	22.0	33.7	43.6	66.3
105.9		5.5	1.26	2.27	3.88	5.87	7.89	13.4	18.6	27.6	35.9	51.1
129.7		4.5	1.05	1.85	3.17	4.61	6.64	10.7	14.6	21.8	29.8	42.1
158.9		3.8	0.83	1.51	2.66	3.96	5.43	8.83	12.3	18.0	24.3	32.2
194.6		3.0	...	...	2.19	3.21	...	7.18	...	...	...	...

♦ (See footnote on Page 33.)

# Torque Ratings/Triple Reduction

(TORQUE IS IN POUND INCHES AT LOW SPEED SHAFT . . . MULTIPLY VALUES LISTED BELOW BY 1000)

High Speed Shaft rpm	Nominal Ratios ±4%	Approx. L.S. Shaft rpm	DRIVE SIZE †									
			2040	2050	2060	2070	2080	2090	2100	2110	2120	2130
1750	38.44	45	14.3	25.6	44.7	62.9	89.2	140	196	271	381	473
	47.08	37	14.3	25.6	45.2	63.0	91.6	150	207	282	411	548
	57.66	30	14.3	25.6	45.2	64.6	93.0	150	210	295	415	569
	70.62	25	14.3	25.7	43.5	64.8	92.5	150	210	310	414	584
	86.50	20	14.2	25.6	45.3	64.7	95.0	151	211	313	416	588
	105.9	16.5	14.4	25.7	43.7	64.8	92.3	150	211	311	416	572
	129.7	13.5	14.2	25.6	45.1	64.9	93.4	151	211	300	416	587
	158.9	11.0	14.3	25.7	44.9	64.7	91.8	151	211	302	417	522
	194.6	9.0	...	...	45.3	64.2	...	151	...	...	...	...
1430	38.44	37	14.3	25.7	45.2	62.8	89.2	149	204	287	404	494
	47.08	30	14.3	25.5	45.2	63.2	91.6	150	210	293	414	579
	57.66	25	14.3	25.7	45.1	64.6	93.1	150	210	304	415	573
	70.62	20	14.3	25.6	43.9	64.9	93.0	151	211	313	417	588
	86.50	16.5	14.2	25.7	45.3	64.7	95.0	150	211	314	416	587
	105.9	13.5	14.3	25.7	44.2	65.0	92.6	151	211	314	417	578
	129.7	11.0	14.3	25.7	45.3	65.1	93.6	151	211	302	417	589
	158.9	9.0	14.3	25.7	45.1	64.8	91.6	151	211	302	417	527
	194.6	7.5	...	...	45.3	64.2	...	151	...	...	...	...
1170	38.44	30	14.3	25.7	45.4	62.9	89.2	150	208	296	415	493
	47.08	25	14.3	25.6	45.2	63.5	91.6	150	211	298	416	585
	57.66	20	14.3	25.6	45.1	64.6	93.0	151	211	308	415	583
	70.62	16.5	14.4	25.6	44.1	64.7	93.4	150	211	314	418	590
	86.50	13.5	14.2	25.7	45.3	64.7	94.9	151	211	314	417	590
	105.9	11.0	14.4	25.7	44.3	64.6	92.2	151	211	314	417	587
	129.7	9.0	14.3	25.7	45.2	64.8	94.1	151	211	302	417	588
	158.9	7.5	14.3	25.7	45.2	64.8	91.8	151	212	303	417	532
	194.6	6.0	...	...	45.2	64.4	...	151	...	...	...	...
870	38.44	22	14.3	25.6	45.4	63.0	89.2	150	211	303	416	493
	47.08	18	14.3	25.6	45.3	63.7	91.7	151	211	303	415	589
	57.66	15	14.4	25.7	45.1	64.8	93.0	151	211	313	417	589
	70.62	12.5	14.3	25.7	44.6	64.9	93.3	151	211	314	417	590
	86.50	10.0	14.3	25.7	45.2	65.1	95.2	151	211	315	417	588
	105.9	8.3	14.4	25.7	44.6	64.9	92.1	151	211	314	417	588
	129.7	6.8	14.3	25.7	45.3	64.9	93.9	151	211	303	417	588
	158.9	5.5	14.3	25.7	45.3	64.9	92.2	151	211	303	418	537
	194.6	4.5	...	...	45.3	64.4	...	151	...	...	...	...
720	38.44	18	14.4	25.6	45.4	62.9	89.1	150	211	306	417	492
	47.08	15	14.4	25.7	45.3	64.0	91.7	151	211	306	416	587
	57.66	12.5	14.4	25.7	45.3	64.9	93.2	151	211	314	417	587
	70.62	10.0	14.3	25.7	44.8	64.7	93.8	151	211	314	417	588
	86.50	8.3	14.3	25.7	45.3	64.9	95.1	151	211	315	417	588
	105.9	6.8	14.3	25.7	44.8	64.9	92.3	151	211	315	418	588
	129.7	5.5	14.3	25.7	45.3	64.9	94.0	151	212	303	417	588
	158.9	4.5	14.4	25.7	45.2	64.9	92.2	152	212	304	418	539
	194.6	3.8	...	...	45.2	64.5	...	151	...	...	...	...
580	38.44	15	14.4	25.7	45.1	62.9	89.1	151	211	309	416	495
	47.08	12.5	14.3	25.7	45.3	63.8	91.8	151	211	309	417	590
	57.66	10.0	14.3	25.7	45.3	64.6	93.2	151	211	315	417	588
	70.62	8.3	14.4	25.7	44.9	64.8	93.8	151	212	314	417	588
	86.50	6.8	14.3	25.7	45.2	64.9	95.0	151	211	315	417	588
	105.9	5.5	14.4	25.7	44.9	64.8	92.3	151	211	314	417	588
	129.7	4.5	14.3	25.7	45.2	64.9	94.0	151	212	304	417	588
	158.9	3.8	14.4	25.7	45.3	65.0	92.2	151	212	304	418	542
	194.6	3.0	...	...	45.2	64.4	...	151	...	...	...	...

† (See footnote on Page 33.)

# Horsepower Ratings/Quadruple Reduction

High Speed Shaft rpm	Nominal Ratios ±4%	Approx. L.S. Shaft rpm	DRIVE SIZE ♦								
			2050	2060	2070	2080	2090	2100	2110	2120	2130
<b>1750</b>	194.6	9.0	3.53	...	...	13.7	...	28.9	45.3	58.6	81.0
	238.4	7.5	3.08	5.17	7.62	11.1	17.7	24.1	37.3	48.3	67.0
	291.9	6.0	2.49	4.24	6.16	9.06	14.7	19.2	30.6	39.6	57.8
	357.5	5.0	2.08	3.46	5.03	7.32	11.9	15.8	24.8	32.1	47.4
	437.9	4.0	1.71	2.80	4.06	5.06	9.72	13.4	20.1	26.0	38.5
	536.3	3.2	1.40	2.32	3.30	3.98	7.86	11.3	15.9	21.7	31.1
	656.8	2.7	1.14	1.94	2.81	4.14	6.50	8.90	12.9	17.7	25.9
	804.5	2.2	.920	1.58	2.29	2.86	5.36	6.90	11.1	14.8	18.3
	985.3	1.8	.750	1.30	1.86	2.25	4.44	5.88	8.75	12.1	15.4
<b>1430</b>	194.6	7.5	2.89	...	...	11.2	...	23.6	37.0	47.9	68.2
	238.4	6.0	2.52	4.29	6.23	9.07	14.5	19.7	30.5	39.5	57.4
	291.9	5.0	2.04	3.47	5.03	7.40	12.0	15.7	25.0	32.4	47.2
	357.5	4.0	1.70	2.83	4.11	5.98	9.74	12.9	20.3	26.3	38.8
	437.9	3.2	1.40	2.29	3.32	4.14	7.95	11.0	16.4	21.3	31.4
	536.3	2.7	1.15	1.89	2.70	3.26	6.42	9.27	13.0	17.7	25.5
	656.8	2.2	.930	1.58	2.30	3.38	5.32	7.27	10.6	14.4	21.2
	804.5	1.8	.750	1.29	1.88	2.34	4.38	5.64	9.04	12.1	15.0
	985.3	1.5	.610	1.06	1.52	1.84	3.63	4.80	7.15	9.87	12.6
<b>1170</b>	194.6	6.0	2.36	...	...	9.18	...	19.3	30.3	39.2	56.0
	238.4	5.0	2.06	3.51	5.09	7.42	11.8	16.1	24.9	32.3	46.9
	291.9	4.0	1.67	2.84	4.12	6.06	9.85	12.8	20.5	26.5	38.6
	357.5	3.2	1.39	2.31	3.36	4.90	7.97	10.6	16.6	21.5	31.7
	437.9	2.7	1.14	1.87	2.72	3.39	6.50	8.98	13.4	17.4	25.7
	536.3	2.2	.940	1.55	2.21	2.67	5.26	7.58	10.6	14.5	20.8
	656.8	1.8	.760	1.29	1.88	2.77	4.35	5.95	8.66	11.8	17.3
	804.5	1.5	.620	1.06	1.53	1.91	3.58	4.61	7.39	9.91	12.2
	985.3	1.2	.500	.870	1.25	1.51	2.97	3.93	5.85	8.08	10.3
<b>870</b>	194.6	4.5	1.76	...	...	6.83	...	14.4	22.5	29.2	41.6
	238.4	3.8	1.53	2.61	3.79	5.52	8.81	12.0	18.6	24.0	34.9
	291.9	3.0	1.24	2.11	3.06	4.51	7.33	9.54	15.2	19.7	28.7
	357.5	2.5	1.03	1.72	2.50	3.64	5.93	7.86	12.3	16.0	23.6
	437.9	2.0	.850	1.39	2.02	2.52	4.84	6.68	10.0	13.0	19.1
	536.3	1.6	.700	1.15	1.64	1.98	3.91	5.64	7.91	10.8	15.5
	656.8	1.3	.570	.960	1.40	2.06	3.23	4.42	6.44	8.78	12.9
	804.5	1.1	.460	.780	1.14	1.42	2.66	3.43	5.50	7.37	9.10
	985.3	.90	.370	.650	.930	1.12	2.21	2.92	4.35	6.01	7.66
<b>720</b>	194.6	3.8	1.46	...	...	5.65	...	11.9	18.7	24.2	34.5
	238.4	3.0	1.27	2.16	3.13	4.57	7.29	9.91	15.4	19.9	28.9
	291.9	2.5	1.03	1.75	2.54	3.73	6.07	7.90	12.6	16.3	23.8
	357.5	2.0	.860	1.42	2.07	3.01	4.91	6.50	10.2	13.2	19.5
	437.9	1.6	.700	1.15	1.67	2.09	4.00	5.53	8.28	10.7	15.8
	536.3	1.3	.580	.950	1.36	1.64	3.23	4.67	6.55	8.92	12.8
	656.8	1.1	.470	.800	1.16	1.70	2.68	3.66	5.33	7.27	10.7
	804.5	.90	.380	.650	.940	1.18	2.20	2.84	4.55	6.10	7.53
	985.3	.75	.310	.540	.770	0.93	1.83	2.42	3.60	4.97	6.34
<b>580</b>	194.6	3.0	1.17	...	...	4.55	...	9.57	15.0	19.5	27.8
	238.4	2.5	1.02	1.74	2.52	3.68	5.87	7.98	12.4	16.0	23.3
	291.9	2.0	.830	1.41	2.04	3.00	4.89	6.36	10.2	13.1	19.2
	357.5	1.6	.690	1.15	1.67	2.43	3.95	5.24	8.23	10.7	15.7
	437.9	1.3	.570	.930	1.35	1.68	3.22	4.45	6.67	8.64	12.7
	536.3	1.1	.470	.770	1.09	1.32	2.61	3.76	5.28	7.19	10.3
	656.8	.90	.380	.640	.930	1.37	2.16	2.95	4.30	5.86	8.59
	804.5	.75	.310	.520	.760	0.95	1.78	2.29	3.67	4.91	6.06
	985.3	.60	.250	.430	.620	0.75	1.47	1.95	2.90	4.00	5.11

♦ (See footnote on Page 33.)



# Torque Ratings/Quadruple Reduction

(TORQUE IS IN POUND INCHES AT LOW SPEED SHAFT. . . MULTIPLY VALUES LISTED BELOW BY 1000)

High Speed Shaft rpm	Nominal Ratios ±4%	Approx. L.S. Shaft rpm	DRIVE SIZE †								
			2050	2060	2070	2080	2090	2100	2110	2120	2130
<b>1750</b>	194.6	9.0	23.8	...	...	94.8	...	210	315	417	580
	238.4	7.5	25.7	44.6	64.9	95.0	151	211	315	418	573
	291.9	6.0	25.6	45.2	64.9	95.1	151	212	315	417	600
	357.5	5.0	25.7	45.2	64.9	95.0	151	212	315	417	600
	437.9	4.0	25.7	45.3	64.9	79.5	151	211	315	417	601
	536.3	3.2	25.6	45.4	64.5	75.0	151	211	304	418	599
	656.8	2.7	25.7	45.4	64.9	95.2	151	212	304	419	600
	804.5	2.2	25.7	45.3	64.8	79.6	151	210	316	417	516
	985.3	1.8	25.7	45.2	64.4	75.1	151	212	305	419	522
<b>1430</b>	194.6	7.5	23.9	...	...	94.9	...	210	314	417	598
	238.4	6.0	25.7	45.3	64.9	95.0	151	211	315	418	600
	291.9	5.0	25.7	45.3	64.8	95.0	150	212	315	418	600
	357.5	4.0	25.7	45.3	64.9	95.0	151	211	315	418	601
	437.9	3.2	25.7	45.3	64.9	79.6	151	212	314	418	600
	536.3	2.7	25.8	45.2	64.6	75.2	151	212	305	418	601
	656.8	2.2	25.7	45.2	65.0	95.1	151	212	305	417	601
	804.5	1.8	25.7	45.2	65.1	79.7	151	210	315	418	517
	985.3	1.5	25.7	45.1	64.4	75.2	151	211	305	418	522
<b>1170</b>	194.6	6.0	23.8	...	...	95.0	...	210	315	417	600
	238.4	5.0	25.7	45.3	64.8	95.0	150	211	314	418	599
	291.9	4.0	25.7	45.3	64.9	95.1	151	211	315	418	599
	357.5	3.2	25.7	45.2	64.9	95.2	151	212	315	418	600
	437.9	2.7	25.6	45.3	65.0	79.7	151	212	314	418	600
	536.3	2.2	25.7	45.3	64.6	75.3	151	211	303	418	599
	656.8	1.8	25.7	45.1	64.9	95.3	151	212	305	418	599
	804.5	1.5	25.7	45.4	64.7	79.5	151	210	315	418	514
	985.3	1.2	25.7	45.3	64.7	75.4	151	212	305	418	522
<b>870</b>	194.6	4.5	23.9	...	...	95.1	...	211	314	418	599
	238.4	3.8	25.6	45.3	64.9	95.1	151	212	316	417	600
	291.9	3.0	25.7	45.3	64.8	95.2	151	211	314	417	599
	357.5	2.5	25.6	45.2	64.9	95.1	151	212	314	418	601
	437.9	2.0	25.7	45.2	64.9	79.6	151	212	315	420	600
	536.3	1.6	25.7	45.2	64.5	75.1	151	212	305	419	601
	656.8	1.3	25.7	45.2	65.0	95.3	151	211	305	418	601
	804.5	1.1	25.7	45.2	64.9	79.5	151	210	315	418	516
	985.3	.90	25.7	45.2	64.6	75.2	151	211	305	418	522
<b>720</b>	194.6	3.8	24.0	...	...	95.1	...	211	316	419	601
	238.4	3.0	25.7	45.3	64.8	95.1	151	211	316	418	600
	291.9	2.5	25.8	45.4	65.0	95.1	151	212	315	417	600
	357.5	2.0	25.7	45.1	65.0	95.0	151	211	314	417	600
	437.9	1.6	25.7	45.2	64.8	79.8	151	212	315	417	599
	536.3	1.3	25.7	45.3	64.6	75.1	151	212	305	418	599
	656.8	1.1	25.7	45.2	65.1	95.0	151	212	305	418	602
	804.5	.90	25.7	45.3	64.9	79.8	151	210	315	418	516
	985.3	.75	25.7	45.3	64.6	75.3	151	212	305	418	522
<b>580</b>	194.6	3.0	23.8	...	...	95.0	...	210	314	419	601
	238.4	2.5	25.6	45.3	64.8	95.1	151	211	316	417	601
	291.9	2.0	25.7	45.4	64.8	95.0	151	211	316	416	601
	357.5	1.6	25.7	45.4	65.1	95.2	151	212	315	420	599
	437.9	1.3	25.7	45.2	65.1	79.6	151	212	315	418	598
	536.3	1.1	25.7	45.2	64.3	75.1	151	212	305	418	599
	656.8	.90	25.7	45.3	64.9	95.1	151	212	305	418	600
	804.5	.75	25.7	45.3	65.0	79.7	151	210	315	418	515
	985.3	.60	25.7	45.3	64.6	75.2	151	212	305	418	522

† (See footnote on Page 33.)

# Thermal Horsepower

Thermal horsepower is the actual horsepower (without service factor) that a drive will transmit continually for three hours or more without overheating.

Thermal ratings need not be considered when the continuous operating period does not exceed three hours and the shutdown time equals or exceeds the running time. However, when the running time exceeds the shutdown time, selection must be made on a basis of adequate thermal rating.

The duty cycle factor considers an increase in the Basic Thermal Rating for gear drives that operate less than 100% of any one hour time period. If a drive operates for more than three hours and operates continuously for any given hour of the day, then the duty cycle must be considered 100%.

Checking the thermal horsepower is extremely important, for if the drive creates heat faster than it can be dissipated, severe damage may occur.

The application adjusted thermal capacity must be greater than the actual brake horsepower. Determine the Application Adjusted Thermal Capacity by multiplying the Basic Thermal Capacity, Pages 44 thru 46, by the appropriate environmental factors (Tables 1-5). Compare the actual power rating required (without service factor) with the application adjusted thermal rating. If the actual load exceeds the application adjusted thermal rating, Shaft Fans, Electric Fan, or Cooling Tubes may be added, an optional oil-to-water or oil-to-air heat exchanger may be used, or a larger drive may be selected. (**NOTE:** Sizes 2040 and 2050 are not available with shaft fan, electric fan or cooling tubes.)

## Application Adjusted Thermal Rating

$P_{TA} = B_1 \times B_2 \times B_3 \times B_4 \times B_5 \times P_T$  where:

$P_{TA}$  = Application Adjusted Thermal Rating

$P_T$  = Basic Thermal Rating (Pages 44 thru 46)

$B_1$  = Ambient Air Temperature Factor, Table 8

$B_2$  = Altitude Factor, Table 9

$B_3$  = Ambient Air Velocity Factor, Table 10

$B_4$  = Inlet Water Temperature Factor, Table 11

$B_5$  = Duty Cycle Factor, Table 12

## Thermal Rating Example

A ball mill with helical ring gear, has a 500 hp, 1750 rpm motor coupling connected to an UltraMax Size 2110FC2 drive with a ratio of 9.30:1. From the Service Factor Table on Page 9, the minimum service factor is 1.50. From Page 32 the mechanical horsepower rating is 750 hp. The actual service factor is

$$750 \div 500 = 1.50.$$

Check to see if the actual horsepower rating is greater than the application adjusted thermal rating under the following conditions:

Ambient Temperature = 120°F

Altitude = Sea Level

Installed Environment = Indoors (large room, air velocity undefined) Inlet Water Temperature = 100°F

Continuous Duty

First find  $P_{TA}$  with no auxiliary cooling ( $P_{TA} = B_1 \times B_2 \times B_3 \times B_5 \times P_T$ ).

$$B_1 = .69 \text{ (Table 8)}$$

$$B_2 = 1.00 \text{ (Table 9)}$$

$$B_3 = 1.00 \text{ (Table 10)}$$

$$B_5 = 1.00 \text{ (Table 12)}$$

$$P_T = 179 \text{ (Page 45)}$$

$$P_{TA} = .69 \times 1.00 \times 1.00 \times 1.00 \times 179 = 124 \text{ thermal hp.}$$

This drive will require cooling because 124 thermal hp is less than the motor horsepower of 500. First try a shaft fan as shown below.

$P_{TA}$  with Shaft Fan =  $B_1 \times B_2 \times B_5 \times P_T$

$$B_1 = .69 \text{ (Table 8)}$$

$$B_2 = 1.00 \text{ (Table 9)}$$

$$B_5 = 1.00 \text{ (Table 12)}$$

$$P_T = 672 \text{ (Page 45)}$$

$P_{TA} = .69 \times 1.00 \times 1.00 \times 672 = 464$  thermal hp which is still less than 500. Next try an electric fan.

$P_{TA}$  with an Electric Fan =  $B_1 \times B_2 \times B_5 \times P_T$

$$B_1 = .69 \text{ (Table 8)}$$

$$B_2 = 1.00 \text{ (Table 9)}$$

$$B_5 = 1.00 \text{ (Table 12)}$$

$$P_T = 795 \text{ (Page 45)}$$

$P_{TA} = .69 \times 1.00 \times 1.00 \times 795 = 549$  thermal hp which is acceptable.

Cooling Tubes are also acceptable.

$P_{TA}$  with Cooling Tubes =  $B_1 \times B_4 \times B_5 \times P_T$

$$B_1 = .91 \text{ (Table 8)}$$

$$B_4 = .83 \text{ (Table 11)}$$

$$B_5 = 1.00 \text{ (Table 12)}$$

$$P_T = 1520 \text{ (Page 45)}$$

$P_{TA} = .91 \times .83 \times 1.00 \times 1520 = 1150$  thermal hp.

**Table 8 — Ambient Temperature Factor – B<sub>1</sub>**  
(For all cooling methods.)

Ambient Temperature ★	Factor with or without Shaft or Electric Fan	Factor with Cooling Tubes
50°F	1.19	1.06
60°F	1.13	1.04
70°F	1.07	1.02
80°F	1.00	1.00
90°F	.93	.98
100°F	.85	.96
110°F	.78	.94
120°F	.69	.91

**Table 9 — Altitude Factor – B<sub>2</sub>**  
(For air cooling only.)

Altitude — ft. Sea Level = 0	Factor with or without Auxiliary Cooling
0 to 2,500	1.00
2,500	.95
5,000	.90
7,500	.85
10,000	.81
12,500	.76
15,000	.72

**Table 10 — Ambient Air Velocity Factor – B<sub>3</sub>**  
(For no auxiliary cooling only.)

Sustained Ambient Air Velocity† – fpm	Installed Environment	Factor Without Shaft or Electric Fan or Cooling Tubes
Less than 100 fpm (1 mph)	Small Confined Space	.75
Between 100 fpm & 275 fpm (1 to 3 mph)	Large Indoor Room	1.00
Between 275 fpm & 725 fpm (3 to 8 mph)	Large Indoor Room	1.40
Greater than 725 fpm (8 mph)	Outdoors	1.90

† The sustained ambient air velocity must be a continuous flow of air directly onto the gear drive. If the air flow cannot be counted on to be continuous, an ambient air velocity factor of 1.00 must be used.

**Table 11 — Inlet Water Temperature Factor – B<sub>4</sub>**  
(For water cooling only.)

Inlet Water Temperature	Factor with Cooling Tubes Only
50°F	1.11
60°F	1.05
70°F	1.00
80°F	.94
90°F	.88
100°F	.83

**Table 12 — Duty Cycle Factor‡ – B<sub>5</sub>**  
(For all cooling methods.)

% Operating Time Per Hour	Factor With or Without Auxiliary Cooling
100%	1.00
80%	1.05
60%	1.15
40%	1.35
20%	1.80

‡ The duty cycle factor must be based on the percentage of each hour that the drive is operating. For example: a gear drive operating for 48 minutes and resting for 12 minutes every hour of the day has an 80% duty cycle, but a drive operating for four hours and resting for four hours has a 100% duty cycle. Where % run time per hour falls between values shown above, use next higher % run time.

# Basic Thermal Ratings ★/Double Reduction

Nominal Ratios	High Speed Shaft rpm	Auxiliary Cooling	DRIVE SIZE					
			2040	2050	2060	2070	2080	2090
1.50 thru 2.49	3500	None Shaft Fan Electric Fan Cooling Tubes						
	2900	None Shaft Fan Electric Fan Cooling Tubes						
	2400	None Shaft Fan Electric Fan Cooling Tubes						
	1750	None Shaft Fan Electric Fan Cooling Tubes	60.5 ... ... ...	65.5 ... ... ...	79.3 153 245 580	92.1 178 288 651	118 237 361 740	176 560 664 1190
	1430	None Shaft Fan Electric Fan Cooling Tubes	64.3 ... ... ...	72.5 ... ... ...	84.8 146 243 539	100 170 286 610	127 224 358 696	196 523 676 1140
	1170	None Shaft Fan Electric Fan Cooling Tubes	67.0 ... ... ...	77.8 ... ... ...	88.4 138 239 497	104 161 281 566	131 211 351 648	212 485 677 1080
	870	None Shaft Fan Electric Fan Cooling Tubes	67.9 ... ... ...	83.5 ... ... ...	88.2 125 229 445	104 146 269 497	130 189 334 571	220 426 655 970
	720	None Shaft Fan Electric Fan Cooling Tubes	67.2 ... ... ...	84.7 ... ... ...	60.5 89.9 195 458	101 136 260 501	127 176 322 549	224 394 641 901
	580	None Shaft Fan Electric Fan Cooling Tubes	65.6 ... ... ...	84.4 ... ... ...	65.8 91.0 195 423	75.8 105 228 475	89.0 129 277 533	226 363 621 823
2.76 thru 4.57	3500	None Shaft Fan Electric Fan Cooling Tubes						
	2900	None Shaft Fan Electric Fan Cooling Tubes						
	2400	None Shaft Fan Electric Fan Cooling Tubes						
	1750	None Shaft Fan Electric Fan Cooling Tubes	58.2 ... ... ...	66.4 ... ... ...	80.3 147 229 461	92.5 171 273 537	117 228 343 623	178 512 598 920
	1430	None Shaft Fan Electric Fan Cooling Tubes	59.0 ... ... ...	71.6 ... ... ...	83.4 138 225 420	97.5 162 269 494	123 214 338 574	194 467 593 860
	1170	None Shaft Fan Electric Fan Cooling Tubes	58.8 ... ... ...	74.1 ... ... ...	84.5 129 219 418	99.8 152 263 450	126 200 330 526	201 426 582 796
	870	None Shaft Fan Electric Fan Cooling Tubes	57.1 ... ... ...	74.6 ... ... ...	57.6 91.4 185 416	65.5 104 217 470	76.2 126 260 532	151 368 555 698
	720	None Shaft Fan Electric Fan Cooling Tubes	55.5 ... ... ...	73.6 ... ... ...	63.0 91.0 185 385	72.1 104 218 438	83.8 126 264 501	167 338 538 703
	580	None Shaft Fan Electric Fan Cooling Tubes	53.5 ... ... ...	71.7 ... ... ...	66.5 88.9 181 348	76.6 103 215 400	89.8 127 263 461	178 236 450 686

★ Basic thermal ratings listed are for an ambient temperature of 80°F (27°C), from sea level to 2500 ft. Application adjusted thermal ratings must be calculated using the application correction factors on Page 43 before comparing to the required load. For cooling beyond the range of cooling tubes, refer to Factory for the selection of oil-to-water or oil-to-air heat exchangers. Thermal ratings with cooling tubes are based on a maximum water inlet temperature of 70°F(21°C) with a 2 gpm flow rate.

☐ External cooling required for selections in shaded areas; refer to Factory.

# Basic Thermal Ratings ★/Double Reduction

Nominal Ratios	High Speed Shaft rpm	Auxiliary Cooling	DRIVE SIZE									
			2040	2050	2060	2070	2080	2090	2100	2110	2120	2130
5.06 thru 11.39	3500	None	21.7	...								
		Shaft Fan	...	...								
		Electric Fan Cooling Tubes	...	...								
	2900	None	34.1	19.7								
		Shaft Fan	...	...								
		Electric Fan Cooling Tubes	...	...								
	2400	None	36.4	34.6								
		Shaft Fan	...	...								
		Electric Fan Cooling Tubes	...	...								
1750	None	40.4	50.0	57.7	72.0	87.9	122	151	179	211	205	
	Shaft Fan	...	...	108	133	170	362	507	672	914	967	
	Electric Fan Cooling Tubes	...	...	170	212	255	424	600	795	1090	1240	
1430	None	42.0	51.8	61.1	75.9	92.3	132	166	198	242	253	
	Shaft Fan	...	...	102	126	159	332	467	620	854	912	
	Electric Fan Cooling Tubes	...	...	167	210	251	423	603	806	1130	1310	
1170	None	42.5	54.6	62.4	77.4	93.8	141	179	216	268	281	
	Shaft Fan	...	...	95.7	119	149	303	428	569	790	859	
	Electric Fan Cooling Tubes	...	...	162	205	245	415	596	801	1130	1330	
870	None	41.7	55.9	61.9	77.6	93.3	145	190	235	300	317	
	Shaft Fan	...	...	86.4	108	134	265	374	498	697	771	
	Electric Fan Cooling Tubes	...	...	154	195	233	398	575	777	1110	1320	
720	None	40.6	55.4	44.3	53.4	91.6	144	192	240	314	338	
	Shaft Fan	...	...	64.2	77.2	125	243	343	456	641	715	
	Electric Fan Cooling Tubes	...	...	133	164	224	384	557	754	1090	1290	
580	None	39.1	54.1	46.9	57.0	65.6	141	189	240	320	352	
	Shaft Fan	...	...	63.5	76.9	92.5	220	311	413	582	653	
	Electric Fan Cooling Tubes	...	...	131	163	191	367	534	725	1050	1250	
13.95 thru 31.39	3500	None	31.6	35.5	...	...	...	...				
		Shaft Fan	...	...	...	...	...	...				
		Electric Fan Cooling Tubes	...	...	131	167	204	325	746			
	2900	None	33.2	39.0	...	...	...	...				
		Shaft Fan	...	...	...	...	...	...				
		Electric Fan Cooling Tubes	...	...	131	170	207	332	691			
	2400	None	33.8	42.2	...	...	...	...				
		Shaft Fan	...	...	...	...	...	...				
		Electric Fan Cooling Tubes	...	...	130	170	206	333	633			
1750	None	33.4	44.3	50.0	61.8	75.6	61.5	65.3	175	213	221	
	Shaft Fan	...	...	82.8	107	136	281	403	543	763	862	
	Electric Fan Cooling Tubes	...	...	125	164	199	324	467	628	884	1060	
1430	None	32.6	44.3	33.3	38.3	75.9	71.7	82.4	90.5	75.8	253	
	Shaft Fan	...	...	61.0	73.4	125	252	361	485	683	777	
	Electric Fan Cooling Tubes	...	...	107	136	192	315	456	613	870	1050	
1170	None	31.6	43.5	35.8	42.5	48.3	81.6	94.9	107	112	85.3	
	Shaft Fan	...	...	59.4	73.3	90.3	226	323	434	612	699	
	Electric Fan Cooling Tubes	...	...	106	137	162	304	441	595	848	1020	
870	None	29.8	41.7	37.6	46.6	54.0	96.0	114	130	144	146	
	Shaft Fan	...	...	55.0	69.2	84.7	150	193	246	521	596	
	Electric Fan Cooling Tubes	...	...	103	134	159	246	339	446	808	977	
720	None	28.6	40.3	38.3	48.6	57.0	102	124	148	167	166	
	Shaft Fan	...	...	52.5	67.0	82.0	144	190	243	295	542	
	Electric Fan Cooling Tubes	...	...	99.6	131	156	246	346	459	607	943	
580	None	27.2	38.5	38.2	49.2	58.3	105	134	162	187	191	
	Shaft Fan	...	...	49.5	63.9	78.1	137	184	236	292	299	
	Electric Fan Cooling Tubes	...	...	95.7	126	151	241	344	459	626	718	

★ See footnotes on Page 44.

# Basic Thermal Ratings ★/Triple & Quadruple Reduction

Nominal Ratios	High Speed Shaft rpm	Auxiliary Cooling	DRIVE SIZE									
			2040	2050	2060	2070	2080	2090	2100	2110	2120	2130
<b>TRIPLE REDUCTION</b>												
38.44 thru 86.50	1750	None	20.1	29.2	31.8	41.5	55.0	80.0	120	135	161	176
		Shaft Fan	...	...	...	...	...	...	206	252	358	409
		Electric Fan	...	...	79.1	105	130	187	298	400	551	680
		Cooling Tubes	...	...	163	208	237	452	650	760	1160	1460
	1430	None	19.1	27.9	31.1	41.1	50.7	75.0	110	130	163	184
		Shaft Fan	...	...	...	...	...	...	187	229	324	372
Electric Fan		...	...	75.7	101	125	180	288	385	532	658	
Cooling Tubes		...	...	147	189	217	412	598	702	1080	1360	
1170	None	18.1	26.5	30.1	40.1	49.6	70.0	100	125	161	187	
	Shaft Fan	...	...	...	...	...	...	169	208	293	338	
	Electric Fan	...	...	72.2	97.5	120	172	276	369	511	632	
	Cooling Tubes	...	...	132	171	197	374	547	644	993	1260	
870	None	16.7	24.6	28.5	38.2	47.3	63.4	94.6	120	157	183	
	Shaft Fan	...	...	...	...	...	...	147	181	254	294	
	Electric Fan	...	...	67.1	90.8	112	160	258	344	477	590	
	Cooling Tubes	...	...	112	146	169	321	474	562	872	1110	
720	None	15.9	23.4	27.3	36.7	45.6	61.0	91.6	116	152	179	
	Shaft Fan	...	...	...	...	...	...	134	166	232	269	
	Electric Fan	...	...	63.8	86.6	107	152	246	328	455	563	
	Cooling Tubes	...	...	100	131	152	289	430	512	797	1020	
580	None	14.9	22.1	25.9	35.0	43.4	58.1	87.6	111	146	172	
	Shaft Fan	...	...	...	...	...	...	122	151	209	244	
	Electric Fan	...	...	60.2	81.8	101	144	233	310	431	532	
	Cooling Tubes	...	...	88.1	116	134	255	382	457	715	918	
105.9 thru 194.6	1750	None	13.0	18.4	23.5	31.4	35.8	50.0	74.7	100	130	157
		Shaft Fan	...	...	...	...	...	...	146	189	266	321
		Electric Fan	...	...	56.1	75.8	86.3	130	207	290	396	514
		Cooling Tubes	...	...	90.2	118	123	272	384	460	705	969
	1430	None	12.3	17.5	22.6	30.3	34.6	48.6	72.6	97.1	126	153
		Shaft Fan	...	...	...	...	...	...	131	169	236	286
Electric Fan		...	...	53.3	72.1	82.2	123	198	276	377	490	
Cooling Tubes		...	...	79.9	105	110	244	346	415	639	884	
1170	None	11.7	16.6	21.6	29.0	33.2	46.7	70.0	93.3	121	149	
	Shaft Fan	...	...	...	...	...	...	117	151	211	256	
	Electric Fan	...	...	50.5	68.5	78.0	117	188	262	358	465	
	Cooling Tubes	...	...	70.6	93.9	98.6	218	310	373	576	803	
870	None	10.7	15.3	20.1	27.1	31.0	43.8	65.7	87.3	113	140	
	Shaft Fan	...	...	...	...	...	...	100	130	179	219	
	Electric Fan	...	...	46.5	63.2	72.0	108	174	242	330	430	
	Cooling Tubes	...	...	58.4	78.4	82.5	183	262	315	490	689	
720	None	10.2	14.6	19.1	25.9	29.6	41.8	62.8	83.3	108	134	
	Shaft Fan	...	...	...	...	...	...	91.1	118	162	199	
	Electric Fan	...	...	44.1	60.0	68.3	103	165	229	313	408	
	Cooling Tubes	...	...	51.7	69.6	73.5	163	234	282	439	622	
580	None	9.5	13.7	18.0	24.4	27.9	39.5	59.5	78.7	102	127	
	Shaft Fan	...	...	...	...	...	...	82.0	106	145	179	
	Electric Fan	...	...	41.4	56.5	64.3	97.0	155	216	294	384	
	Cooling Tubes	...	...	44.9	60.7	68.0	142	204	247	385	549	
<b>QUADRUPLE REDUCTION</b>												
238.4 thru 985.3	580 thru 1750	None	...	16.1	18.6	23.5	29.6	38.8	48.5	58.9	72.6	85.7

★ See footnote on Page 44.

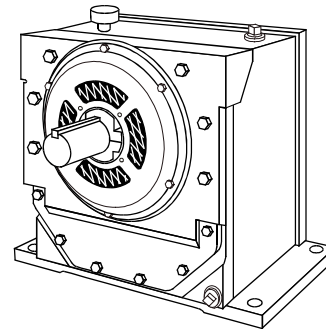
# Cooling for UltraMax Drives

As noted on Page 6, the application adjusted thermal capacity is the actual horsepower (without Service Factor) that a drive will transmit continually for three hours or more without overheating. If a drive creates heat faster than it can be dissipated, severe damage may occur.

## Shaft Driven Cooling Fans

Cooling fans provide a simple and inexpensive way to utilize the mechanical rating of UltraMax gear drives by lowering operating temperatures, thus increasing thermal horsepower capacity. Cooling fans have been successfully used on electric motors and other related machinery for many years. They eliminate the need for water or oil cooling, pumps and external piping. The sound level at 1750 rpm is about the same as that from fans on totally enclosed, fan cooled driving motors. Less than one quarter of one percent cataloged horsepower rating is required to drive the fans. For dimensions, refer to Page 60.

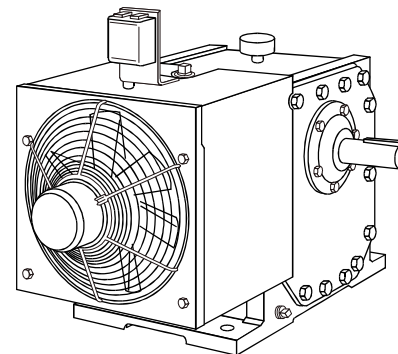
Shaft Driven Cooling Fan



## Electric Cooling Fans

Electric fans achieve thermal capacities up to twice that of shaft driven fans and can be thermostatically controlled to shut off when not required. Electric fans can be mounted on either side of the drive permitting full use of usable shaft extension. For dimensions, refer to Page 70.

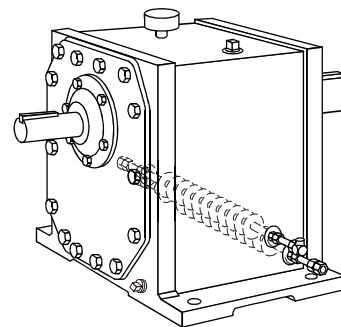
Electric Cooling Fan



## Cooling Tubes

Cooling tubes are an economical alternative for thermal requirements beyond the range of fans. A series of straight, finned tubes are provided directly in the sump of the drive. Water is circulated through these tubes to cool the oil. Since there are no joints or connections inside the drive, leakage of water into the drive is eliminated. For dimensions, refer to Page 71.

Cooling Tubes



## External Pumps & Coolers

Type PC external pump and cooler assemblies provide cooling capacity beyond the range of fans and cooling tubes, and will allow the drive to run at full mechanical rating. Packages are available for all UltraMax sizes. For selection, price and delivery, provide full application details to your local Rexnord district office.

# Overhung Loads

## High & Low Speed Shaft

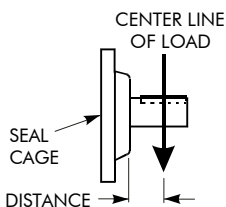
The overhung load and thrust ratings published in this selection guide are based on a combination of the most unfavorable conditions or rotation, speed, direction of applied load and drive loading. If the calculated load exceeds the published value, or if an overhung load and thrust load are applied simultaneously to a shaft, consult Factory and provide complete application information (hp, rpm, driven machine, hours of operation per day, direction of rotation, direction and location of applied loads).

**Overhung Loads** — Overhung load is imposed upon a shaft when a pinion, sprocket or sheave is used as a power take-off. The magnitude of the load varies with the type of take-off and its proximity to the shaft bearing. Calculate the load (including minimum required service factor) and check the result against the tabulated overhung load rating.

### Overhung Load Formula:

The overhung load formula below considers the transmitted horsepower without service factor. This is appropriate for applications where starting loads, momentary overloads and brake capacities do not exceed 200% of drive rating (100% overload). For other conditions, compute an equivalent power by multiplying the transmitted horsepower by the appropriate service factor.

$$\text{Overhung Load} = \frac{126,000 \times \text{hp} \times F_c \times L_f}{\text{Pitch Dia} \times \text{rpm}}$$



### $F_c$ = Load Connection Factor.

Sprocket *	1.00
Machined Pinion & Gear*	1.25
Synchronous (Timing) Belts	1.30
V-Belt	1.50
Flat Belt	2.50

### $L_f$ = Load Location Factor \*

- L.S.S. — See table on Page 49.
- H.S.S. — See instructions at right.

- \* Refer all multiple chain sprocket and pinion mounted applications to the Factory for deflection analysis.
- \* Load Location Factors for drives with fan or external backstop, refer to Selection Guide 311-112.

**Locate the center of the load** as close to the drive seal cage as practical to minimize the overhung load and increase bearing life.

**Consult Factory for Higher Overhung Load Ratings** — In many cases, overhung load capacity in excess of that published is available. Published ratings are based on a combination of the most unfavorable conditions of rotation, speed, direction of applied load, and drive loading. If the actual load should exceed the published capacity, refer full details to the Factory; provide complete application information (see page 14), as well as direction of rotation, location and direction of applied load.

### Low Speed Shaft

Calculate low speed shaft overhung load using the formula and  $F_c$  values at left. The  $L_f$  load location factors tabulated on Page 49 are based on the distance from the center line of the load to the drive seal cage.

**Low Speed Shaft Overhung Load Example** — An UltraMax size 2070FC2 drive is used to drive a uniformly loaded chain conveyor. The drive is driven by a 50 hp, 1750 rpm, electric motor coupling connected to the high speed shaft. The low speed shaft is rotating at 85.2 rpm and is chain connected to the conveyor shaft. The drive mounted sprocket has a pitch diameter of 12.85 inches, and the center line of the teeth is located 3.00 inches out from the low speed seal cage.

$$\text{Overhung Load} = \frac{126,000 \times (50 \times 1.00) \times .98}{12.85 \times 85.2} = 5639 \text{ lbs.}$$

Since the allowable overhung load of the 2070 is 8,500 lbs., this application is acceptable.

**Thrust Loads** — Refer to Page 55 for low speed shaft thrust capacities. Thrust capacities are for pure thrust loads. If thrust and overhung loads are applied simultaneously, or if loads exceed these capacities, consult Factory.

### High Speed Shaft

High speed shaft overhung load ratings published on Pages 51 thru 54 are for normal conditions where the center line of the load is one shaft diameter from the seal cage (or external backstop), and for speeds of 1170 rpm or lower. Where the center line of the load is one shaft diameter or closer, calculate the high speed shaft overhung load using  $L_f = 1$  in the formula at left. Check the result against the rating on Pages 51 thru 54. Higher overhung load capacities are available when the full drive torque rating is not utilized. Refer to the Factory for higher ratings for these conditions or if the calculated load (using  $L_f = 1$ ) exceeds the published value or if the load is applied at a distance greater than one shaft diameter from the high speed shaft seal cage or external backstop. High speed shaft load location factors are available in selection guide 311-312.

**High Speed Shaft Overhung Load Example** — A 15 hp, 1750 rpm motor with a 4 inch pitch diameter sheave is V-belt connected to an UltraMax size 2060FC2 drive which has a nominal ratio of 31.39:1. A 12 inch pitch diameter sheave is mounted on the drive high speed shaft 1.50 inches (less than one shaft diameter) from the seal cage. Calculate the high speed shaft rpm and overhung load as follows:

$$\text{Drive high speed shaft rpm} = \frac{4}{12} \times 1750 = 583 \text{ rpm}$$

Using the overhung load formula,

$$\text{Overhung Load} = \frac{126,000 \times 15 \times 1.50 \times 1.00}{12 \times 583} = 405 \text{ lbs.}$$

From the table on Page 51, in the 580 high speed shaft rpm section, the overhung load capacity for a 2060FC2 drive with a 31.39:1 ratio is 600 lbs. The actual load is less than the published capacity and is therefore acceptable.



Double, Triple & Quadruple Reduction

# LSS L<sub>f</sub> Load Location Factors \*

Based on distance from center line of load to reducer seal cage

DISTANCE Inches	DRIVE SIZE										DISTANCE Inches
	2040	2050	2060	2070	2080	2090	2100	2110	2120	2130	
1	.85	.82	.82	.79	.80	.78	.77	.75	.76	.74	1
1½	.92	.88	.87	.84	.84	.82	.80	.79	.78	.76	1½
1¾	.96	.91	.90	.86	.86	.83	.82	.80	.80	.77	1¾
2	1.00	.94	.92	.89	.88	.85	.83	.82	.81	.79	2
2½	1.13	1.00	.97	.93	.92	.89	.87	.85	.84	.81	2½
2¾	1.20	1.06	1.00	.95	.94	.91	.88	.86	.85	.83	2¾
3	1.26	1.11	1.05	.98	.96	.93	.90	.88	.86	.84	3
3¼	1.33	1.17	1.10	1.00	.98	.94	.92	.89	.88	.85	3¼
3½	1.39	1.23	1.15	1.04	1.00	.96	.93	.91	.89	.87	3½
4	1.53	1.34	1.24	1.13	1.08	1.00	.97	.94	.92	.89	4
4½	...	1.45	1.34	1.22	1.16	1.07	1.00	.97	.95	.92	4½
4¾	...	1.51	1.39	1.26	1.20	1.10	1.03	.98	.96	.93	4¾
5	...	1.57	1.44	1.30	1.24	1.14	1.06	1.00	.97	.95	5
5¼	...	...	1.48	1.34	1.28	1.17	1.10	1.03	.99	.96	5¼
5½	...	...	1.53	1.39	1.32	1.21	1.13	1.06	1.00	.97	5½
5¾	...	...	...	1.43	1.36	1.24	1.16	1.09	1.03	.99	5¾
6	...	...	...	1.47	1.40	1.28	1.19	1.12	1.06	1.00	6
6½	...	...	...	1.56	1.48	1.35	1.25	1.18	1.11	1.05	6½
7	...	...	...	...	1.56	1.42	1.32	1.24	1.17	1.11	7
7½	...	...	...	...	...	1.49	1.38	1.30	1.22	1.16	7½
8	...	...	...	...	...	1.56	1.45	1.36	1.28	1.21	8
8½	...	...	...	...	...	...	1.51	1.42	1.33	1.26	8½
9	...	...	...	...	...	...	1.57	1.48	1.39	1.32	9
9½	...	...	...	...	...	...	...	1.54	1.45	1.37	9½
10	...	...	...	...	...	...	...	...	1.50	1.42	10
10½	...	...	...	...	...	...	...	...	1.56	1.47	10½
11	...	...	...	...	...	...	...	...	...	1.53	11
11½	...	...	...	...	...	...	...	...	...	1.58	11½

\* Interpolate for intermediate values. For example L<sub>f</sub> is 1.12 for Size 2080 when the distance is 4¾ inches.

Double Reduction — Ratios 1.50 through 4.57

## LSS Overhung Load Ratings ▲/Pounds

Multiply values listed below by 1000. . .Consult Factory for higher overhung load ratings

Approx. L.S. Shaft rpm	DRIVE SIZE					
	2040	2050	2060	2070	2080	2090
2340	1.65	2.04	3.61	4.16	5.06	6.89
1900	1.74	1.86	3.78	4.32	5.09	7.22
1720	1.82	2.17	3.92	4.40	5.21	7.44
1560	1.82	1.96	4.01	4.41	4.85	7.64
1400	1.92	2.29	4.15	4.47	4.96	7.79
1280	1.92	2.08	4.21	4.61	5.00	8.09
1150	2.03	2.42	4.36	4.67	5.12	8.25
1040	2.04	2.45	4.42	4.81	5.29	8.59
940	2.15	2.32	4.58	4.87	5.42	8.73
840	2.20	2.66	4.67	5.12	5.14	9.09
760	2.29	2.53	4.84	5.19	5.26	9.25
640	2.38	2.58	5.02	5.59	5.55	9.77
520	2.53	2.73	5.45	6.28	6.55	10.7
420	2.65	3.14	5.75	6.69	6.96	11.5
350	2.92	3.60	6.15	7.11	7.63	12.2
280 <sup>‡</sup>	3.10	3.70	6.50	7.70	8.20	13.0

Double, Triple & Quadruple Reduction— Ratios 5.06 through 985.3

## LSS Overhung Load Ratings ▲/Pounds

Multiply values listed below by 1000. . .Consult Factory for higher overhung load ratings

Approx. L.S. Shaft rpm	DRIVE SIZE									
	2040	2050	2060	2070	2080	2090	2100	2110	2120	2130
700	1.83	2.53	4.40	5.41	3.93	7.01	8.01	4.63	8.40	11.6
560	1.93	2.68	4.66	5.42	3.95	7.20	8.48	4.90	8.70	12.1
460	2.04	2.83	4.78	5.63	3.90	7.61	8.98	5.18	8.93	12.5
380	2.16	2.99	4.98	5.93	4.13	8.07	9.62	5.71	9.37	13.1
350	2.26	3.12	5.11	6.06	4.72	8.62	9.87	5.70	9.62	14.3
310	2.28	3.17	5.24	6.19	4.37	8.87	10.2	6.24	9.91	13.9
280	2.38	3.30	5.77	6.67	5.15	8.87	10.5	6.06	10.7	14.9
230	2.51	3.50	5.88	6.98	4.80	9.42	11.1	6.65	11.0	15.4
190	2.67	3.70	6.14	7.57	5.46	10.3	11.9	7.13	11.5	16.1
155	2.84	4.02	6.50	8.21	6.35	11.0	12.6	8.04	12.2	17.1
125	3.03	4.37	6.50	8.50	7.48	11.9	13.4	9.06	13.0	18.2
100	3.29	4.74	6.50	8.50	8.90	13.8	14.6	13.4	14.3	19.8
84	3.40	5.12	6.50	8.50	10.2	14.0	15.5	12.4	16.1	22.0
68	3.40	5.25	6.50	8.50	11.0	14.0	16.9	14.5	17.5	22.5
56	3.40	5.25	6.50	8.50	11.0	14.0	17.0	16.8	19.0	22.5
45	3.40	5.25	6.50	8.50	11.0	14.0	17.0	18.5	19.0	22.5
37	3.40	5.25	6.50	8.50	11.0	14.0	17.0	18.5	19.0	22.5
28 <sup>‡</sup>	3.40	5.25	6.50	8.50	11.0	14.0	17.0	18.5	19.0	22.5

▲ Published values of overhung load are for loads applied one shaft diameter from the seal cage with a service factor of unity. Where overhung load is proportional to torque (i.e. pinion, sprocket, or sheave applications) an appropriate service factor should be considered in the overhung load calculation.

‡ The last overhung load value in each drive size column applies to all lower output speeds for that drive. Published ratings are based on a combination of the most unfavorable conditions of loading. For higher ratings, refer full data to Factory.

Double Reduction

# HSS Overhung Load Ratings ★/Pounds

Consult Factory for higher overhung load ratings

High Speed Shaft rpm ‡	Nominal Ratios	Approx. L.S. Shaft rpm	DRIVE SIZE									
			WITH OR WITHOUT BACKSTOP						WITHOUT BACKSTOP			
			2040	2050	2060	2070	2080	2090	2100	2110	2120	2130
<b>1170</b>	5.06	230	10	250	0	570	10	220	1290			
	6.20	190	0	220	0	660	20	290	1400			
	7.59	155	30	440	10	800	620	380	1400			
	9.30	125	50	500	290	800	440	550	1400	1430		
	11.39	100	100	300	540	800	1050	1250	1400	1500	1300	1370
	13.95	84	190	410	600	800	1050	1250	1400	1500	1500	1750
	17.09	68	350	490	600	800	1050	1250	1400	1500	1500	1750
	20.93	56	400	500	600	800	1050	1250	1400	1500	1500	1750
	25.63	45	110	500	600	800	1050	1250	1400	1500	1500	1390
	31.39	37	160	500	600	800	1050	1250	1400	1500	1500	1750
	<b>870</b>	5.06	175	150	500	0	800	580	1070	1400		
6.20		140	130	500	0	800	690	1080	1400			
7.59		115	90	500	340	800	1050	1040	1400			
9.30		95	40	500	600	800	1050	1210	1400	1500		
11.39		77	100	300	600	800	1050	1250	1400	1500	1500	1750
13.95		62	190	400	600	800	1050	1250	1400	1500	1500	1750
17.09		50	400	480	600	800	1050	1250	1400	1500	1500	1750
20.93		42	400	500	600	800	1050	1250	1400	1500	1500	1750
25.63		34	280	500	600	800	1050	1250	1400	1500	1500	1750
31.39		28	330	500	600	800	1050	1250	1400	1500	1500	1750
<b>720</b>		5.06	140	240	500	0	800	1050	1250	1400		
	6.20	115	230	500	0	800	1050	1250	1400			
	7.59	95	200	500	580	800	1050	1250	1400			
	9.30	77	30	500	600	800	1050	1250	1400	1500		
	11.39	62	90	290	600	800	1050	1250	1400	1500	1500	1750
	13.95	50	180	400	600	800	1050	1250	1400	1500	1500	1750
	17.09	42	400	480	600	800	1050	1250	1400	1500	1500	1750
	20.93	34	400	500	600	800	1050	1250	1400	1500	1500	1750
	25.63	28	390	500	600	800	1050	1250	1400	1500	1500	1750
	31.39	22	400	500	600	800	1050	1250	1400	1500	1500	1750
	<b>580</b>	5.06	115	350	500	110	800	1050	1250	1400		
6.20		95	340	500	190	800	1050	1250	1400			
7.59		77	330	500	600	800	1050	1250	1400			
9.30		62	20	500	600	800	1050	1250	1400	1500		
11.39		50	90	290	600	800	1050	1250	1400	1500	1500	1750
13.95		42	180	400	600	800	1050	1250	1400	1500	1500	1750
17.09		34	400	480	600	800	1050	1250	1400	1500	1500	1750
20.93		28	400	500	600	800	1050	1250	1400	1500	1500	1750
25.63		22	400	500	600	800	1050	1250	1400	1500	1500	1750
31.39		18	400	500	600	800	1050	1250	1400	1500	1500	1750

★ Published values of overhung load are for loads applied one shaft diameter from the seal cage with a service factor of unity. Where overhung load is proportional to torque (i.e. pinion, sprocket, or sheave applications) an appropriate service factor should be considered in the overhung load calculation.

‡ For input speeds higher than 1170 rpm, refer to Selection Guide 311-112.

■ For high speed shaft overhung load for Type FC drives with backstop, refer to Table on Page 54.

Triple Reduction

# HSS Overhung Load Ratings ★/Pounds

Consult Factory for higher overhung load ratings

High Speed Shaft rpm ‡	Nominal Ratios	Approx. L.S. Shaft rpm	DRIVE SIZE									
			WITH OR WITHOUT BACKSTOP						WITHOUT BACKSTOP			
			2040	2050	2060	2070	2080	2090	2100	2110	2120	2130
<b>1170</b>	38.44	30	270	300	400	270	580	280	700	800	900	800
	47.08	25	270	300	400	530	580	620	700	800	900	810
	57.66	20	270	300	400	460	580	620	700	800	900	1000
	70.62	16.5	270	300	400	530	580	620	700	800	900	1000
	86.50	13.5	270	300	400	530	580	620	700	800	900	1000
	105.9	11.0	270	300	400	530	580	620	700	800	900	1000
	129.7	9.0	270	300	350	400	580	620	700	800	900	1000
	158.9	7.5	270	300	210	360	580	620	700	800	900	1000
	194.6	6.0	...	...	260	450	...	620	...	...	...	...
<b>870</b>	38.44	22	270	300	400	460	580	620	700	800	900	790
	47.08	18	270	300	400	530	580	620	700	800	900	790
	57.66	15	270	300	400	460	580	620	700	800	900	1000
	70.62	12.5	270	300	400	520	580	620	700	800	900	1000
	86.50	10.0	270	300	400	530	580	620	700	800	900	1000
	105.9	8.3	270	300	400	530	580	620	700	800	900	1000
	129.7	6.8	270	300	400	530	580	620	700	800	900	1000
	158.9	5.5	270	300	200	360	580	620	700	800	900	1000
	194.6	4.5	...	...	260	450	...	620	...	...	...	...
<b>720</b>	38.44	18	270	300	400	530	580	620	700	800	900	800
	47.08	15	270	300	400	530	580	620	700	800	900	800
	57.66	12.5	270	300	400	460	580	620	700	800	900	1000
	70.62	10.0	270	300	400	530	580	620	700	800	900	1000
	86.50	8.3	270	300	400	530	580	620	700	800	900	1000
	105.9	6.8	270	300	400	530	580	620	700	800	900	1000
	129.7	5.5	270	300	400	530	580	620	700	800	900	1000
	158.9	4.5	270	300	210	360	580	620	700	800	900	1000
	194.6	3.8	...	...	260	450	...	620	...	...	...	...
<b>580</b>	38.44	15.0	270	300	400	530	580	620	700	800	900	780
	47.08	12.5	270	300	400	530	580	620	700	800	900	780
	57.66	10.0	270	300	400	470	580	620	700	800	900	1000
	70.62	8.3	270	300	400	530	580	620	700	800	900	1000
	86.50	6.8	270	300	400	530	580	620	700	800	900	1000
	105.9	5.5	270	300	400	530	580	620	700	800	900	1000
	129.7	4.5	270	300	400	530	580	620	700	800	900	1000
	158.9	3.8	270	300	200	360	580	620	700	800	900	1000
	194.6	3.0	...	...	260	450	...	620	...	...	...	...

(See footnotes on Page 51.)

Quadruple Reduction

# HSS Overhung Load Ratings ★/Pounds

Consult Factory for higher overhung load ratings

High Speed Shaft rpm ‡	Nominal Ratios	Approx. L.S. Shaft rpm	DRIVE SIZE								
			WITH OR WITHOUT BACKSTOP					WITHOUT BACKSTOP			
			2050	2060	2070	2080	2090	2100	2110	2120	2130
<b>1170</b>	194.6	6.0	150	...	...	230	...	470	590	650	340
	238.4	5.0	150	150	140	230	240	520	150	650	300
	291.9	4.0	150	150	160	230	410	520	240	650	530
	357.5	3.2	150	150	170	230	440	520	300	650	690
	437.9	2.7	150	150	170	230	440	520	590	650	700
	536.3	2.2	150	150	170	230	440	520	590	650	700
	656.8	1.8	150	150	170	230	440	520	590	650	700
	804.5	1.5	150	150	170	230	440	520	590	650	700
	985.3	1.2	150	150	170	230	440	520	590	650	700
<b>870</b>	194.6	4.5	150	...	...	230	...	470	590	650	700
	238.4	3.8	150	150	140	230	240	520	150	650	650
	291.9	3.0	150	150	160	230	410	520	240	650	590
	357.5	2.5	150	150	170	230	440	520	300	650	700
	437.9	2.0	150	150	170	230	440	520	590	650	700
	536.3	1.6	150	150	170	230	440	520	590	650	700
	656.8	1.3	150	150	170	230	440	520	590	650	700
	804.5	1.1	150	150	170	230	440	520	590	650	700
	985.3	.90	150	150	170	230	440	520	590	650	700
<b>720</b>	194.6	3.8	150	...	...	230	...	470	590	650	700
	238.4	3.0	150	150	140	230	240	520	150	650	700
	291.9	2.5	150	150	160	230	410	520	240	650	590
	357.5	2.0	150	150	170	230	440	520	300	650	700
	437.9	1.6	150	150	170	230	440	520	590	650	700
	536.3	1.3	150	150	170	230	440	520	590	650	700
	656.8	1.1	150	150	170	230	440	520	590	650	700
	804.5	.90	150	150	170	230	440	520	590	650	700
	985.3	.75	150	150	170	230	440	520	590	650	700
<b>580</b>	194.6	3.0	150	...	...	230	...	470	590	650	700
	238.4	2.5	150	150	140	230	240	520	150	650	700
	291.9	2.0	150	150	160	230	410	520	230	650	590
	357.5	1.6	150	150	170	230	440	520	300	650	700
	437.9	1.3	150	150	170	230	440	520	590	650	700
	536.3	1.1	150	150	170	230	440	520	590	650	700
	656.8	.90	150	150	170	230	440	520	590	650	700
	804.5	.75	150	150	170	230	440	520	590	650	700
	985.3	.60	150	150	170	230	440	520	590	650	700

(See footnotes on Page 51.)

Double, Triple & Quadruple Reduction with External Backstops

# HSS Overhung Load Ratings ★/Pounds

Consult Factory for higher overhung load ratings

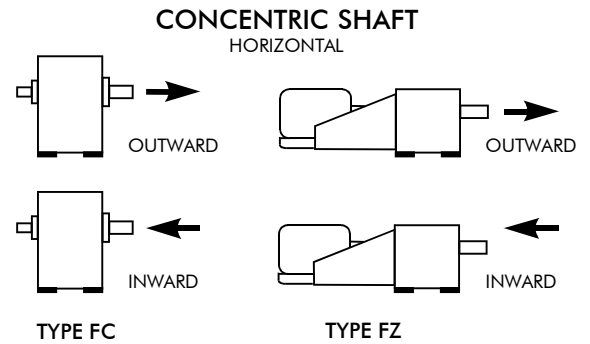
High Speed Shaft rpm ‡	Nominal Ratios	Approx. L.S. Shaft rpm	DRIVE SIZE			
			2100	2110	2120	2130
<b>FC2 DOUBLE REDUCTION</b>						
<b>1170</b>	5.06	230	560			
	6.20	190	630			
	7.59	155	630			
	9.30	125	630	710		
	11.39	100	630	710	650	680
	13.95	84	630	710	720	870
	17.09	68	630	710	720	870
	20.93	56	630	710	720	870
	25.63	45	630	710	720	700
	31.39	37	630	710	720	870
<b>870</b>	5.06	175	615			
	6.20	140	630			
	7.59	115	630			
	9.30	95	630	710		
	11.39	77	630	710	720	870
<b>720</b>	5.06	140	630			
	6.20	115	630			
	7.59	95	630			
	9.30	77	630	710		
	11.39	62	630	710	720	870
<b>580</b>	5.06	115	630			
	6.20	95	630			
	7.59	77	630			
	9.30	62	630	710		
	11.39	50	630	710	720	870
<b>FC3 TRIPLE REDUCTION</b>						
<b>1170</b>	38.44	30	280	330	400	360
	47.08	25	280	330	400	450
<b>870</b>	38.44	22	280	330	400	360
	47.08	19	280	330	400	380
	57.60	15	280	330	400	450
<b>FC4 QUADRUPLE REDUCTION</b>						
<b>1170</b>	194.6	6.0	175	230	260	240
	238.4	5.0	190	60	260	210
	291.9	4.0	190	95	260	240
	357.5	3.2	190	120	260	280
	437.9	2.7	190	230	260	280

★ Published values of overhung load are for loads applied one shaft diameter from the backstop with a service factor of unity. Where overhung load is proportional to torque (i.e. pinion, sprocket, or sheave applications) an appropriate service factor should be considered in the overhung load calculation. Refer to Factory for OHL ratings of drives with both a fan and an external backstop.

‡ For input speeds higher than 1170 rpm, refer to Selection Guide 311-112.

# LSS Thrust Loads

**Thrust Loads** — External thrust loads are often imposed upon gear drive bearings by agitators, mixers and similar equipment through solid couplings and also some flexible couplings. Calculate the direction and magnitude of the thrust and check the result against the tabulated thrust value.



Ratios 1.50 through 4.57

## LSS Thrust Load Capacity \*/Pounds

Thrust inward or outward. . .multiply values listed below by 1000

Approx. L.S. Shaft rpm	DRIVE SIZE			
	2040	2050	2060	2070
2340	1.80	2.14	3.25	3.88
1900	1.80	1.93	3.38	3.93
1720	1.80	2.22	3.50	3.75
1560	1.80	2.29	3.50	3.74
1400	1.80	2.30	3.50	3.48
1280	1.80	2.08	3.50	3.82
1150	1.80	2.30	3.50	3.51
1040	1.80	2.30	3.50	3.90
940	1.80	2.30	3.50	3.55
840	1.80	2.30	3.50	4.14
760	1.80	2.30	3.50	3.82
640	1.80	2.30	3.50	4.90
520	1.80	2.30	3.50	4.90
420	1.80	2.30	3.50	4.90
350	1.80	2.30	3.50	4.90
280 ‡	1.80	2.30	3.50	4.90

Ratios 5.06 through 985.3

## LSS Thrust Load Capacity \*/Pounds

Thrust inward or outward. . .multiply values listed below by 1000

Approx. L.S. Shaft rpm	DRIVE SIZE									
	2040	2050	2060	2070	2080	2090	2100	2110	2120	2130
700	1.79	2.30	3.50	4.90	3.41	4.37	6.06	2.48	6.53	9.95
560	1.80	2.30	3.50	4.90	2.73	4.45	6.42	2.62	6.61	10.1
460	1.80	2.30	3.50	4.90	2.67	4.70	6.80	2.77	6.53	10.4
380	1.80	2.30	3.50	4.90	3.06	4.98	7.27	3.07	6.77	10.8
350	1.80	2.30	3.50	4.90	4.22	5.38	7.46	3.05	8.04	11.3
310	1.80	2.30	3.50	4.90	2.99	5.53	7.76	3.37	7.10	11.3
280	1.80	2.30	3.50	4.90	3.35	5.48	7.94	3.24	8.13	11.3
230	1.80	2.30	3.50	4.90	3.28	5.82	8.42	3.57	8.04	11.3
190	1.80	2.30	3.50	4.90	3.79	6.46	8.91	3.84	8.34	11.3
155	1.80	2.30	3.50	4.90	4.50	6.86	9.20	4.36	8.73	11.3
125	1.80	2.30	3.50	4.90	5.38	7.49	9.20	4.95	9.29	11.3
100	1.80	2.30	3.50	4.90	5.40	8.00	9.20	7.87	10.3	11.3
84	1.80	2.30	3.50	4.90	5.40	8.00	9.20	6.99	10.3	11.3
68	1.80	2.30	3.50	4.90	5.40	8.00	9.20	8.40	10.3	11.3
56	1.80	2.30	3.50	4.90	5.40	8.00	9.20	10.3	10.3	11.3
45	1.80	2.30	3.50	4.90	5.40	8.00	9.20	10.3	10.3	11.3
37	1.80	2.30	3.50	4.90	5.40	8.00	9.20	10.3	10.3	11.3
28 ‡	1.80	2.30	3.50	4.90	5.40	8.00	9.20	10.3	10.3	11.3

\* Thrust capacities are for pure thrust loads. If thrust and overhung loads are applied simultaneously, or loads exceed these capacities, refer to Factory.

‡ The last thrust capacity value in each drive size column applies to all lower output speeds for that drive.

# Exact Ratios \*/Double, Triple & Quadruple Reduction

## Double Reduction

Nominal Ratios	DRIVE SIZE									
	2040	2050	2060	2070	2080	2090	2100	2110	2120	2130
1.50	1.465	1.476	1.548		1.561*	1.504				
1.84	1.820	1.822	1.833	1.783	1.887	1.801				
2.03	2.057	2.028	2.027	2.062	2.055	2.089				
2.25	2.191	2.252	2.295	2.197	2.299	2.257				
2.49	2.475	2.504	2.537	2.541	2.504	2.503				
2.76	2.723	2.702	2.827	2.683	2.792	2.756				
3.05	3.076	3.095	3.126	3.103	3.041	3.137				
3.38	3.279	3.283	3.400	3.211*	3.262	3.428				
3.74	3.705	3.714	3.759	3.713	3.553*	3.830				
4.13	4.120	4.001	4.130	3.954*	4.067	4.164				
4.57	4.655	4.512	4.567	4.573	4.430	4.763*				
5.06	4.929	4.980	4.998	4.996	5.161	5.050	5.071			
6.20	6.122	6.147	6.256	6.155	6.290	6.050	6.417			
7.59	7.368	7.598	7.708	7.517	7.638	7.581	7.641			
9.30	9.158	9.119	9.269	8.996	8.923*	9.257	9.218	9.463		
11.39	11.03	11.08	11.26	11.08	11.13	11.51	11.58	11.46	11.54	11.85
13.95	13.86	13.50	13.72	13.50	13.67	13.98	14.01	13.94	14.00	14.42
17.09	16.83	16.65	17.19	17.33	17.34	16.78	17.29	17.01	17.37	17.15
20.93	19.81*	20.56	21.13	20.54	20.98	21.01	21.58	20.76	21.12	21.25
25.63	25.25	25.27	25.63	25.12	25.17	25.66	25.55	25.39	25.91	25.36
31.39	29.43*	30.16	31.69	31.08	31.15	31.15	31.21	31.12	31.89	30.89

## Triple Reduction

Nominal Ratios	DRIVE SIZE									
	2040	2050	2060	2070	2080	2090	2100	2110	2120	2130
38.44	38.08	37.57	38.46	37.83	38.88	39.51	40.24*	38.38	39.36	39.60
47.08	45.86	45.64	46.65	46.27	47.23	48.23	48.39	46.56	47.71	47.26
57.66	57.62	55.63	56.62	56.63	57.56	57.53	57.29	56.56	57.02	57.30
70.62	69.99	68.61	70.64	71.14	69.64	69.86	71.64	68.94	68.05	68.47
86.50	82.37*	84.70	85.69	86.43	87.65	85.18	88.36	86.02	88.15	81.72*
105.9	105.0	104.1	106.5	101.7	107.7	103.4	104.6	104.9	107.0	105.9
129.7	125.0	127.7	131.3	129.6	130.4	129.7	133.8	128.2	128.9	128.5
158.9	159.4	156.9	156.7	151.1	156.4	157.5	158.4	155.7	158.2	154.8
194.6	...	...	190.1	184.8*	...	193.6				

## Quadruple Reduction

Nominal Ratios	DRIVE SIZE								
	2050	2060	2070	2080	2090	2100	2110	2120	2130
194.6	187.5	...	...	192.3	...	202.3	192.9	197.7	199.0
238.4	231.5	239.6	236.6	237.8	236.7	243.7	234.3	240.1	237.4
291.9	286.1	296.3	292.6	291.5	284.5	306.1	285.6	292.7	288.4
357.5	343.3	363.2	358.7	360.7	351.9	371.9	352.3	361.0	351.4
437.9	417.1	449.4	443.8	436.4	431.4	437.6	434.9	445.7	433.5
536.3	508.3*	543.0	542.7	523.5	533.7	518.1	531.7	535.7	535.1
656.8	627.0	649.5	641.4	638.7	644.9	660.4	653.6	657.2	643.3
804.5	774.1	795.9	785.9	772.8	783.1	844.5	791.4	783.6	782.8
985.3	951.5	965.5	961.2	927.2*	945.2	999.9	967.6	961.3	940.9

\* Except where noted with an (\*) asterisk, exact ratios are within ±4% for double and triple reduction, and ±5% of quadruple reduction nominal ratios.



# Availability & Compatibility of Accessories

DRIVE SIZES 2040 & 2050	Motor Mount	Motor Bracket	C-Face Adapter	Motor Plate	Slide Base	Slide Rails	Internal Backstop
Motor Mount	...	...	...	...	OK⑦	...	OK
Motor Bracket	...	...	...	...	OK	...	OK
C-Face Adapter	...	...	...	...	OK	...	OK
Motor Plate	...	...	...	...	...	OK⑨	OK
Slide Base	OK⑦	OK	OK	...	...	...	OK
Slide Rails	...	...	...	OK⑨	...	...	OK
Internal Backstop	OK	OK	OK	OK	OK	OK	...

DRIVE SIZES 2060 thru 2130	Motor Mount	Motor Bracket	C-Face Adapter	Motor Plate	Slide Base	Slide Rails	External Backstop①	Internal Backstop②	Shaft Fan	Elec. Fan Rt. Hand⑤	Elec. Fan Left hand	Cooling Tubes	Pump & Cooler	Ext. Backstop & Fan
Motor Mount	...	...	...	...	OK⑦	...	...	OK	...	OK③	OK④	OK	OK	...
Motor Bracket	...	...	...	...	OK	...	OK	OK	OK⑩	OK	OK	OK	OK	...
C-Face Adapter	...	...	...	...	OK	...	...	OK	...	OK	OK	OK	OK	...
Motor Plate	...	...	...	...	...	OK⑨	OK	OK	OK	OK	OK	OK	OK	OK
Slide Base	OK⑦	OK	OK	...	...	...	OK	OK	OK	OK⑤	OK⑤	...	OK	OK
Slide Rails	...	...	...	OK⑨	...	...	OK	OK	OK	OK	OK	OK	OK	OK
External Backstop①	...	OK	...	OK	OK	OK	...	...	OK	OK⑥	OK⑥	OK	OK	...
Internal Backstop②	OK	OK	OK	OK	OK	OK	...	...	OK	OK	OK	OK	OK	...
Shaft Fan	...	OK⑩	...	OK	OK	OK	OK	OK	...	...	...	...	...	...
Electric Fan – Right Hand⑤	OK③	OK	OK	OK	OK⑤	OK	OK⑥	OK	...	...	...	...	...	...
Electric Fan – Left Hand⑤	OK④	OK	OK	OK	OK⑤	OK	OK⑥	OK	...	...	...	...	...	...
Cooling Tubes	OK	OK	OK	OK	...	OK	OK	OK	...	...	...	...	...	...
Pump & Cooler	OK	OK	OK	OK	OK	OK	OK	OK	...	...	...	...	...	...
Ext. Backstop & Fan	...	...	...	OK	OK	OK	...	...	...	...	...	...	...	...

① External backstops used only on 2100 thru 2130.

② Internal backstops used only on 2040 thru 2090.

③ Motor mount mounted at 9 o'clock position only.

④ Motor mount mounted at 3 and 12 o'clock positions only.

⑤ Drive sizes 2080 thru 2130 only.

⑥ Electric fan is not available on drives with #60 backstop.

⑦ Must check for clearance between L.S. shaft sprocket and motor mount. When motor mount used in 3 & 9 o'clock position, must check for clearance between the motor mount and slide base Drive Sizes 2040 thru 2080 only.

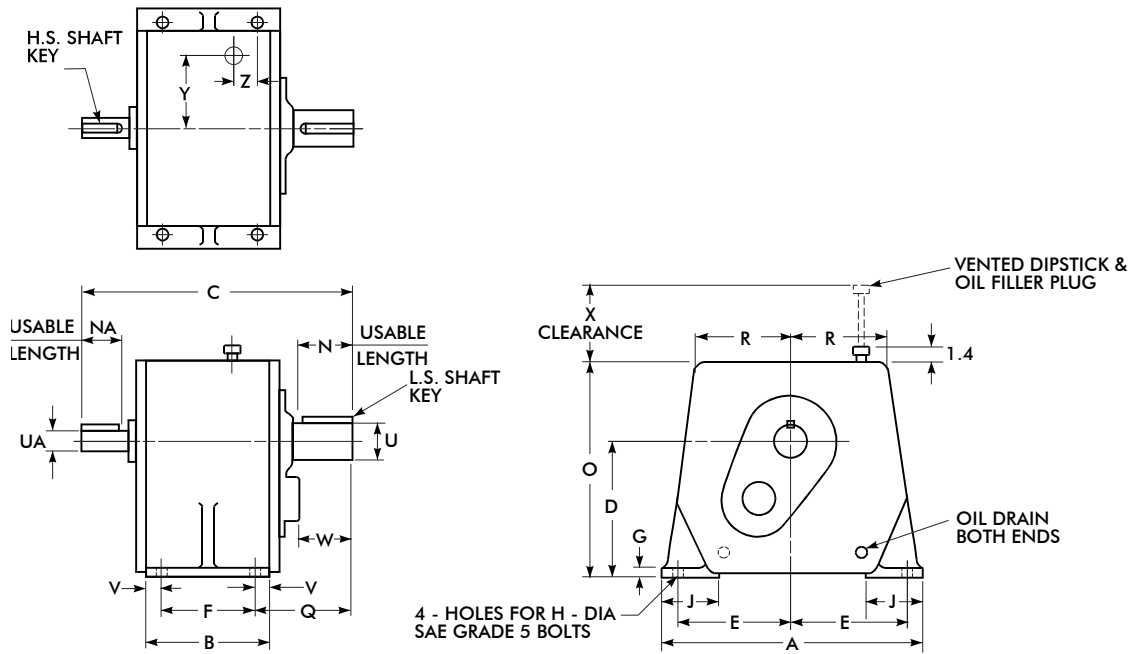
⑧ Left and right hand as viewed when facing H.Q. shaft.

⑨ Use of slide rails requires a motor plate.

⑩ Bolted brackets (designed for 326T frame and smaller) cannot be used with shaft fans due to interference.

# Type FC Double, Triple & Quadruple Reduction

## Dimensions — Inches



DRIVE SIZE ★	A	B	D	E	F	G	H	J	N	O	Q	R	LOW SPEED SHAFT *		V	W ●		X	Y	Z	Max AA	Wt-lb Ave
													U	Key		W/O	With					
2040	15.00	7.90	8.50	6.60	6.10	.80	.750	4.3	4.00	12.92	6.86	5.9	2.0000	.500 x .500 x 3.50	.90	3.54	3.24	7.50	2.90	2.06	17.98	200
2050	16.60	8.98	9.60	7.30	7.10	1.00	.875	4.5	5.00	14.52	8.10	6.7	2.5000	.625 x .625 x 4.50	.94	4.16	3.92	8.70	3.40	2.90	18.98	340

DRIVE SIZE ★	Double Reduction — FC2/FZ2				Triple Reduction — FC3/FZ3				Quadruple Reduction — FC4/FZ4			
	C	NA	HIGH SPEED SHAFT *		C	NA	HIGH SPEED SHAFT *		C	NA	HIGH SPEED SHAFT *	
			UA	Key			UA	Key			UA	Key
2040	18.44	2.76	1.3750	.312 x .312 x 2.50	18.44	2.76	1.3750	.312 x .312 x 2.50	19.98	2.00	1.0000	.250 x .250 x 1.50
2050	21.54	3.26	1.6250	.375 x .375 x 3.00	21.54	3.26	1.6250	.375 x .375 x 3.00				

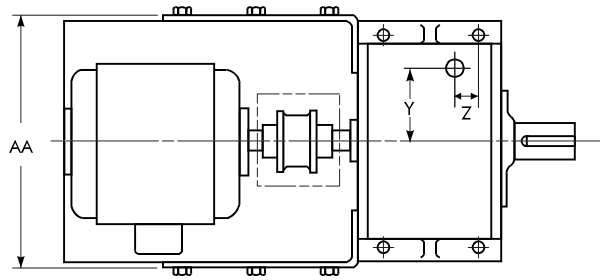
★ Dimensions are for reference only and are subject to change without notice unless certified. Drives are for horizontal floor mounted operation unless specifically stated otherwise. Refer to Factory for other mountings.

\* Shaft diameters under 3" are held to limits of +.0000", -.0005". Shaft keyseat depth is one-half of key height.

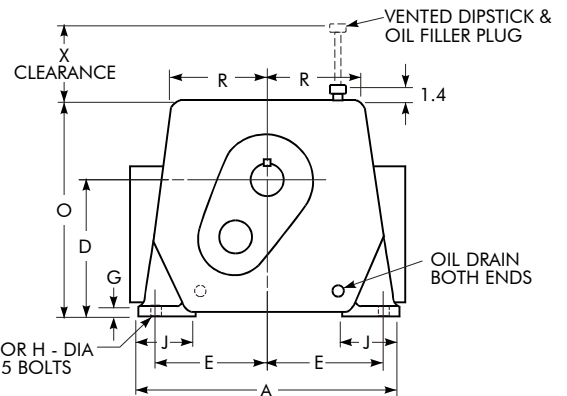
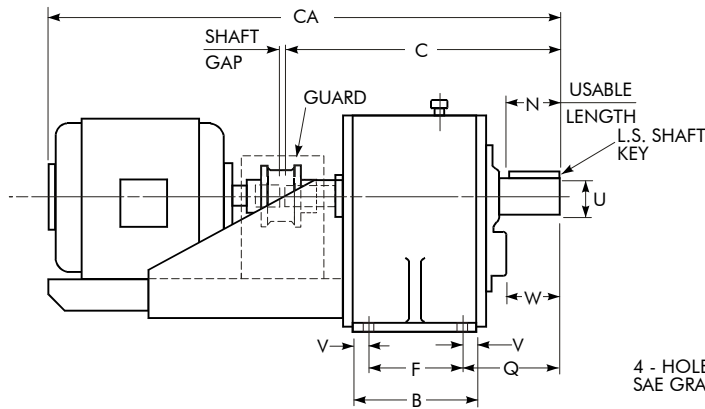
● Dimension W is clearance with and without (W/O) internal backstop. For drive with backstop, indicate low speed shaft rotation when viewing drive from the end of the low speed shaft.

# Type FZ Double, Triple & Quadruple Reduction

## Dimensions — Inches



DIMENSIONS ON PAGE 58  
(CA IN TABLE BELOW)



DRIVE SIZE	Average Weight of Drive Only lb	Max. NEMA T & U Frame Size	CA – APPROXIMATE OVERALL LENGTH WITH MOTOR AND TYPE T COUPLING ‡												
			MOTOR FRAME SIZE ◆												
			143T	145T	182T	184T	213T	215T	254T	256T	284TS	286TS	324TS	326TS	
<b>OPEN MOTORS</b>															
2040	200	286	33.9	33.9	33.9	33.9	35.0	36.2	39.9	41.5	43.9	43.9	48.8	48.8	
2050	340	326	36.2	36.2	36.2	36.2	37.5	39.0	42.4	44.2	46.2	46.2			
<b>TEFC MOTORS</b>															
2040	200	286	30.7	31.2	33.2	34.2	39.0	39.0	45.2	45.2	46.3	46.3	52.9	52.9	
2050	340	326	33.7	34.2	36.3	37.3	41.6	41.6	47.8	47.8	48.9	48.9			

‡ CA dimensions are approximate and may vary with motor manufacturer.

■ Weight shown is for Type FC drive. For Type FZ drive weight, add average drive weight to approximate weight below.

◆ Brackets for Sizes 2040 thru 2050 will accept either T, TS, U or US frame motors. Do not exceed the gear drive ratings shown in the selection tables. Standard length and semi-standard length blank bracket dimensions are covered in Engineering 317-315.

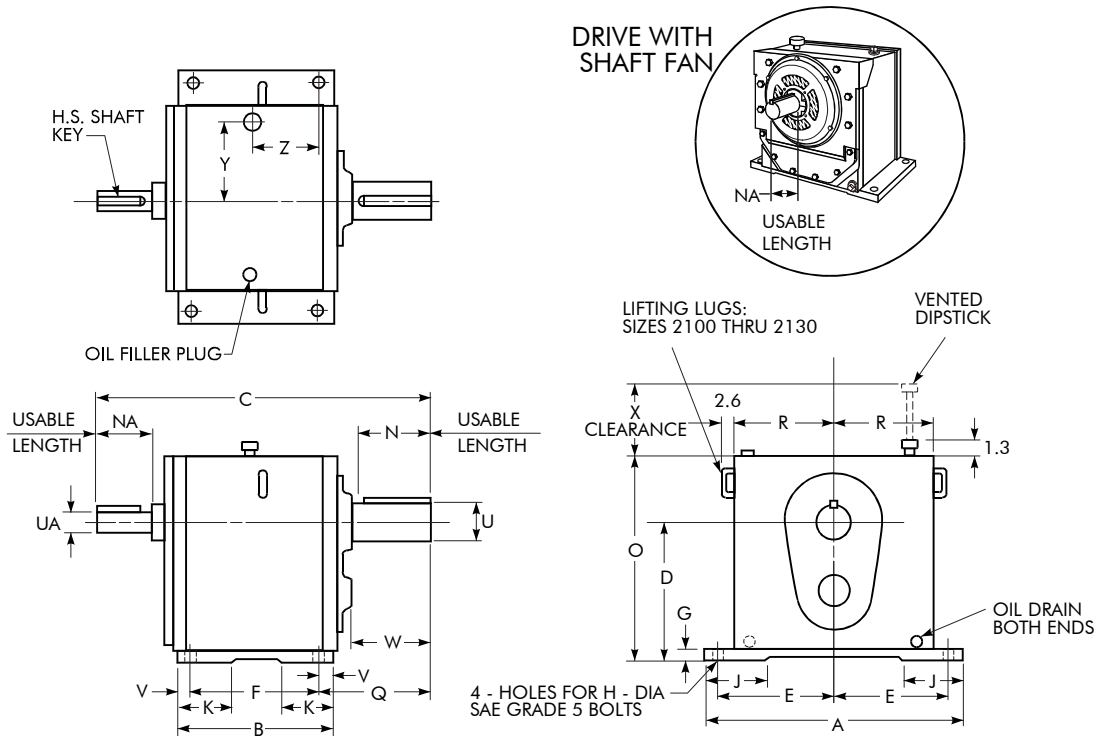
■ Refer to Pages 6 and 7 for instructions when using other than T-frame motors.

### APPROXIMATE WEIGHTS OF FALK MOTOR BRACKETS/COUPLINGS AND MOTORS – lbs

HP	1	1 ½	2	3	5	7 ½	10	15	20	25	30	40	50	60	75	100	125	150	200	
FRAME ◆	143T	145T	145T	182T	184T	213T	215T	254T	256T	284T	286T	324T	326T	364T	365T	404T	405T	444T	445T	
DRIVE SIZE	Bracket & Coupling Weights																			
2040-2070	60	60	60	60	60	65	65	80	80	100	100	110	110	165	180	270	270			
2080-2090	65	65	65	65	75	80	80	95	100	115	115	120	120	165	180	270	285	340		
2100-2130	70	70	70	85	85	90	90	110	110	120	120	130	135	310	310	375	375	445	485	
<b>1750 rpm Motor Weights</b>																				
TEFC General Purpose Motor	30	35	40	60	80	120	165	230	265	360	380	490	526	650	780	1050	1505	1530	1700	
TEFC High Efficiency Motor	30	45	55	70	85	125	170	235	300	450	440	560	650	785	870	1150	1520	1710	1850	
OPEN MOTOR	30	35	35	60	70	120	145	190	215	255	315	370	400	575	640	810	895	1195	1375	

# Type FC Double, Triple & Quadruple Reduction

## Dimensions — Inches



DRIVE SIZE ★	A	B	D	E	F	G	H	J	K	N	O	Q	R	LOW SPEED SHAFT *			W●		X	Y	Z	Average Wt lb
														U	Key	V	W/O	With				
2060	18.40	12.00	10.60	8.20	10.00	.66	1.000	4.2	‡	5.50	15.60	8.00	6.9	2.750	.625 x .625 x 5.00	1.0	4.83	4.42	11.2	5.64	4.92	340
2070	21.00	13.70	11.66	9.30	11.30	.66	1.125	4.5	‡	6.50	17.16	9.20	7.9	3.250	.750 x .750 x 6.00	1.2	5.78	5.21	12.3	6.60	5.64	480
2080	23.00	15.80	12.78	10.20	13.20	.78	1.250	5.5	‡	7.00	18.98	10.00	8.7	3.500	.875 x .875 x 6.50	1.3	6.25	5.84	13.4	6.96	6.70	680
2090	26.00	17.50	15.74	11.40	14.30	.90	1.500	7.0	‡	8.00	23.06	11.50	9.6	4.000	1.000 x 1.000 x 7.00	1.6	7.51	6.95	15.6	8.00	7.20	950
2100	27.60	19.16	17.40	12.20	14.96	1.00	1.500	9.0	7.0	9.00	26.00	13.14	10.7	4.500	1.000 x 1.000 x 8.50	2.1	9.54	•	15.9	9.06	7.56	1320
2110	29.40	21.48	19.50	13.10	17.28	1.00	1.500	9.0	7.0	9.50	28.80	13.72	11.6	5.000	1.250 x 1.250 x 8.50	2.1	10.22	•	17.2	9.90	8.06	1560
2120	32.48	23.60	21.90	14.44	18.80	1.24	1.750	9.0	7.0	10.00	32.50	14.58	12.6	5.500	1.250 x 1.250 x 9.00	2.4	10.68	•	19.0	10.62	9.36	2210
2130	34.00	25.10	24.70	15.20	19.30	1.24	1.750	9.0	7.0	11.00	36.20	16.16	13.5	6.000	1.500 x 1.500 x 10.00	2.9	11.78	•	20.4	11.50	9.52	2900

DRIVE SIZE ★	Double Reduction — FC2					Triple Reduction — FC3					Quadruple Reduction — FC4				
	C	NA		HIGH SPEED SHAFT *		C	NA		HIGH SPEED SHAFT *		C	NA	HIGH SPEED SHAFT *		
		W/O Shaft Fan	With Shaft Fan	UA	Key		W/O Shaft Fan	With Shaft Fan	UA	Key			UA	Key	
2060	24.94	3.68	2.38	1.8750	.500 x .500 x 3.25	24.32	3.26	...	1.5000	.375 x .375 x 3.00	23.56	2.50	1.2500	.250 x .250 x 2.25	
2070	28.34	4.26	2.94	2.1250	.500 x .500 x 3.75	27.28	3.18	...	1.7500	.375 x .375 x 3.00	26.54	2.44	1.3750	.312 x .312 x 2.50	
2080	31.68	4.50	3.16	2.2500	.500 x .500 x 4.00	30.64	3.68	...	2.0000	.500 x .500 x 3.50	29.90	2.95	1.6250	.375 x .375 x 3.00	
2090	35.08	4.76	3.12	2.5000	.625 x .625 x 4.00	33.66	3.88	...	2.0000	.500 x .500 x 3.50	32.92	3.26	1.6250	.375 x .375 x 3.00	
2100	38.50	5.26	3.35	2.7500	.625 x .625 x 4.75	37.14	4.00	2.34	2.1250	.500 x .500 x 3.50	36.66	3.76	1.8750	.500 x .500 x 3.25	
2110	42.02	5.62	3.55	3.0000	.750 x .750 x 5.00	40.10	4.00	2.58	2.1250	.500 x .500 x 3.50	39.62	3.50	1.8750	.500 x .500 x 3.00	
2120	45.38	6.26	4.09	3.2500	.750 x .750 x 5.50	43.40	4.26	2.54	2.2500	.500 x .500 x 3.75	42.62	3.62	2.0000	.500 x .500 x 3.25	
2130	48.58	6.76	4.51	3.5000	.875 x .875 x 6.00	45.98	4.26	2.54	2.2500	.500 x .500 x 3.75	45.20	3.62	2.0000	.500 x .500 x 3.25	

★ Dimensions are for reference only and are subject to change without notice unless certified. Drives are for horizontal floor mounted operation unless specifically stated otherwise. Refer to Factory for other mountings.

\* Shaft diameters under 3" are held to limits of +.0000", -.0005". Shaft diameters 3" and over are held to limits of +.000", -.001". Shaft keyseat depth is one-half of key height.

‡ Drive Sizes 2060 thru 2090 have foundation pads full length of base.

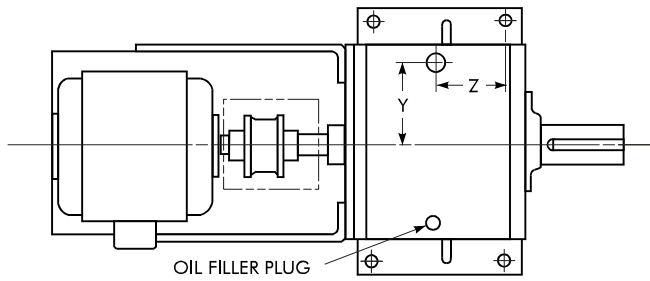
● Dimension W is clearance with and without (W/O) internal backstop. For Sizes 2100 thru 2130FC, an external backstop is mounted on an extended high speed shaft; see 315-810 for details. For drive with backstop, indicate low speed shaft rotation when viewing drive from the end of the low speed shaft.

■ Allow clearance for the following: bracket widths (Type FZ):

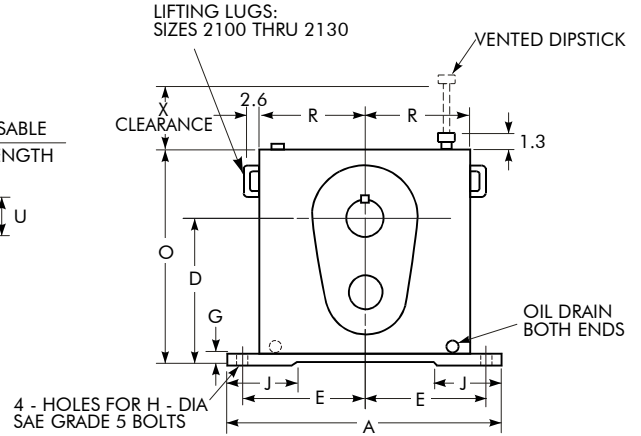
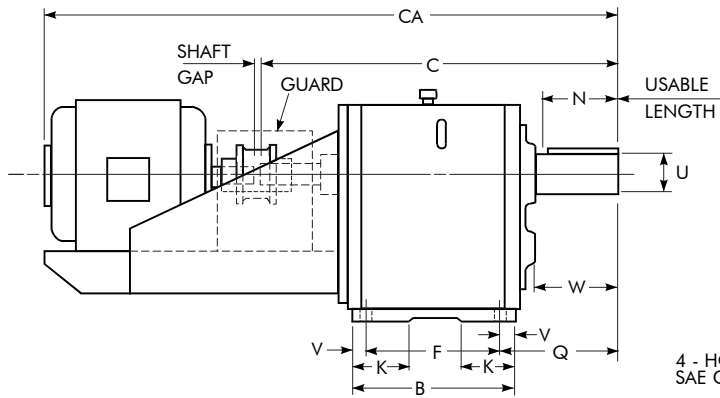
- Size 2060 with 364 and 365 frame motors, 19.88
- Size 2070 with 404 and 405 frame motors, 22.78
- Size 2080 with 444 and 445 frame motors, 25.06
- Size 2100 with 364 and 445 frame motors, 28.50

# Type FZ Double, Triple & Quadruple Reduction

## Dimensions — Inches



DIMENSIONS ON PAGE 60  
(CA IN TABLE BELOW)



DRIVE SIZE	Average Weight of Drive Only lb ■	Max ♦ NEMA T & U Frame Size	CA – APPROXIMATE OVERALL LENGTH WITH MOTOR AND TYPE T COUPLING ‡																	
			MOTOR FRAME SIZE ♦																	
			143T	145T	182T	184T	213T	215T	254T	256T	284TS	286TS	324TS	326TS	364TS	365TS	404TS	405TS	444TS	445TS
<b>OPEN MOTORS</b>																				
2060	340	365	39.2	39.2	39.2	39.2	40.8	42.4	45.5	47.3	49.0	49.0	51.8	51.8	52.4	52.6				
2070	480	405	42.0	42.0	42.0	42.0	43.2	45.7	49.0	50.7	51.9	52.0	54.7	54.7	55.2	56.0	58.6	59.8		
2080	680	445	44.6	44.6	44.6	44.6	46.7	48.2	52.5	54.1	54.4	55.3	58.0	58.0	58.4	59.8	61.6	62.9		
2090	950	445	47.6	47.6	47.6	47.6	49.6	51.1	54.4	57.7	57.4	58.7	60.9	61.3	61.8	62.8	64.8	66.3	69.7	71.3
2100	1320	445	50.9	50.9	51.5	51.5	53.0	54.6	57.8	59.5	60.7	62.5	63.5	64.9	66.3	66.6	69.7	69.8	74.7	74.8
2110	1560	445	53.9	53.9	54.5	54.5	55.9	57.5	60.7	62.5	63.7	63.7	66.7	68.2	69.3	69.7	72.7	73.3	77.7	78.4
2120	2210	445	56.6	56.6	56.6	56.6	58.6	61.0	63.9	65.8	66.2	67.0	69.7	69.7	72.3	73.6	75.6	76.8	80.6	81.9
2130	2900	445	...	59.3	59.3	59.3	61.3	62.8	66.6	68.7	68.9	69.7	72.4	72.4	74.9	76.6	78.3	79.7	83.8	85.0
<b>TEFC MOTORS</b>																				
2060	340	365	36.5	36.9	39.0	40.0	45.2	45.2	50.7	50.7	53.0	53.0	55.8	55.8	57.4					
2070	480	405	38.8	39.3	42.4	43.4	47.3	47.3	53.8	53.8	55.9	55.9	58.7	58.7	60.4	60.3				
2080	680	445	42.0	42.5	44.6	46.4	50.7	50.7	57.3	57.3	59.0	59.0	62.0	62.0	63.9	63.9	68.2			
2090	950	445	45.1	45.5	47.6	49.4	53.8	53.8	59.3	59.3	61.6	62.2	62.2	65.6	67.2	67.2	71.3			
2100	1320	445	...	50.0	51.6	52.6	57.1	57.1	62.6	62.6	65.0	65.0	67.8	67.8	70.6	70.6	74.5	74.5		
2110	1560	445	...	...	54.7	55.7	59.6	59.6	65.7	65.7	67.9	67.9	70.7	70.7	72.3	72.3	78.0	78.0	83.4	
2120	2210	445	...	...	57.6	58.6	62.6	62.6	68.9	68.9	71.0	71.0	73.8	73.8	75.4	75.4	80.1	80.1	86.7	
2130	2900	445	...	...	...	61.2	65.2	65.2	70.9	70.9	73.6	73.6	76.3	76.3	78.0	78.0	82.7	82.7	87.6	87.6

‡ CA dimensions are approximate and may vary with motor manufacturer.

♦ Brackets will accept either T, TS, U or US frame motors. Do not exceed the gear drive ratings shown in the selection tables. Standard length and semi-standard length blank bracket dimensions are covered in Engineering 317-315.

■ Weight shown is for Type FC drive. For Type FZ drive weight, add average drive weight to approximate weight at bottom of Page 59.

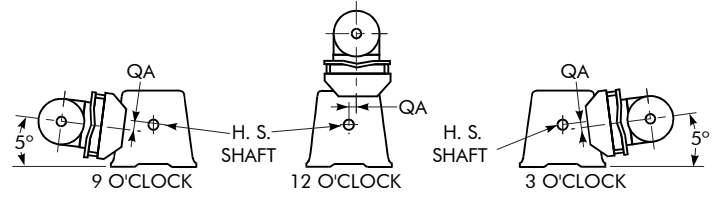
■ Refer to Pages 6 and 7 for instructions when using other than T-frame motors.

# Type MM

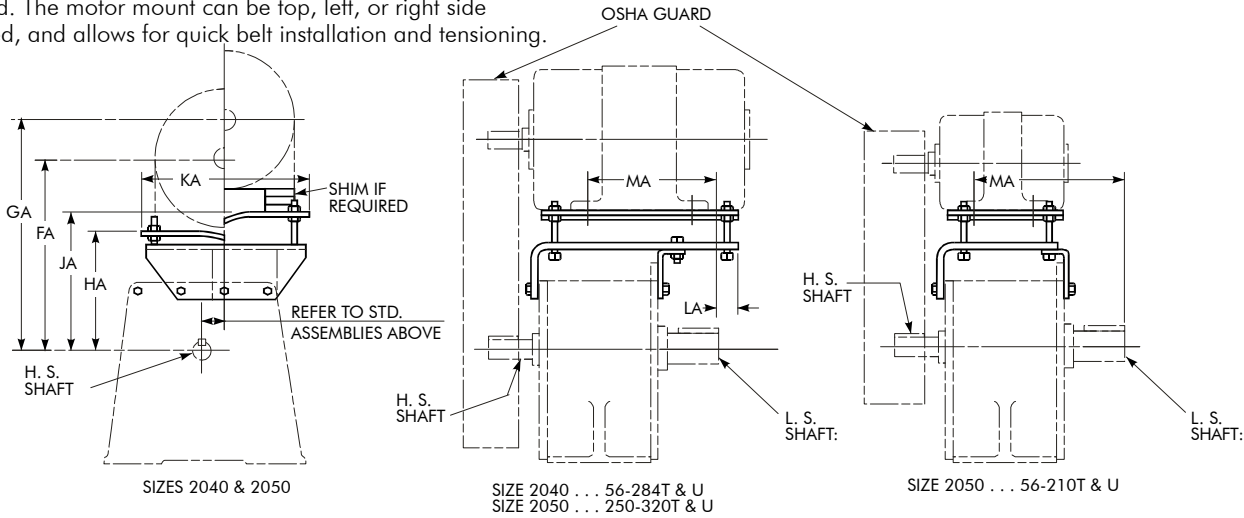
## Motor Mounts/Dimensions — Inches

### Standard Assemblies

Assemblies are viewed from high speed end of drive. For 3 and 9 o'clock assemblies, refer to (†) footnote below to determine dimensions FA, GA, HA and JA. Refer to Page 58 for drive dimensions.



Space-saving Type MM motor mounts are designed for use on UltraMax Type FC drives when input through a belt drive is required. The motor mount can be top, left, or right side mounted, and allows for quick belt installation and tensioning.



DRIVE SIZE ★	MINIMUM AND MAXIMUM SHAFT CENTERS														3 & 9 O'clock FA & GA Addition	HA Min.	JA Max.	PA	Dimension QA Std Assemblies Clock Positions		
	12 O'clock Mounting * †																		3	9	12
	56		140		180		210		250		280		320								
	FA	GA	FA	GA	FA	GA	FA	GA	FA	GA	FA	GA	FA	GA							
MM2040	13.10	16.10	13.10	16.10	14.10	17.10	14.86	17.86	15.86	18.86	16.60	19.60	...	...	1.84	9.60	12.60	8.32	2.00	2.00	0
MM2050	14.06	17.00	14.06	17.00	15.06	18.00	15.82	18.76	16.82	19.76	17.56	20.50	18.56	21.50	2.14	10.56	13.50	9.30	2.34	2.34	0

DRIVE SIZE ★	56 thru 210			250 thru 284			250 thru 320			320 ‡			DIMENSION MA						
	KA	LA	Motor Mount Wt-lb	KA	LA	Motor Mount Wt-lb	KA	LA	Motor Mount Wt-lb	KA	LA	Motor Mount Wt-lb	56	140	180	210	250	280	320
MM2040	13.00	-2.28 ●	55	14.00	2.02	70	...	...	...	16.00	5.27	118	12.68	13.18	12.68	11.92	11.16	10.68	10.22
MM2050	15.00	...	60	...	...	...	16.00	2.72	90	...	...	...	15.28	15.78	15.28	14.54	13.78	13.28	12.78

★ Dimensions are for reference only and are subject to change without notice unless certified.  
 \* When determining belt length for minimum shaft centers, follow the belt manufacturer's installation allowance recommendations and also provide for future belt tensioning. Motors may be shimmed up to 1.5".  
 ‡ Motor mount extends .56" below Size 2040 with 320 frame when mounted in 3 and 9 o'clock positions.  
 ● Measure (-) LA to left of shaft end instead of as shown; shaft extends beyond bracket.  
 † To determine shaft centers for 3 & 9 o'clock mountings, add amount shown in the "3 & 9 o'clock Addition" column to the 12 o'clock FA & GA dimensions. Dimensions HA and JA will increase the same amounts.

### How to Order

Your nearby Rexnord Representative or Authorized Distributor will be pleased to analyze your new or existing application requirements and recommend the most efficient and economical motor mount selections. At the same time, if you wish, his wide experience in the field of power transmission qualifies him to examine your installation and perhaps point out additional ways to increase efficiency and reduce cost with other Rexnord precision products.

### The following information is required to make proper selection:

1. Rexnord Drive — size and type as shown on nameplate or from selection tables in this selection guide.
2. Motor make — horsepower and type.
3. NEMA motor frame size. Check dimension table to make certain motor mount is available for your motor frame size.
4. Required belt centers. If not known, the motor mount will be selected with minimum belt centers (Dimension FA above) based on information from Steps 1 thru 3.
5. Clock position — specify preferred mounting arrangement.

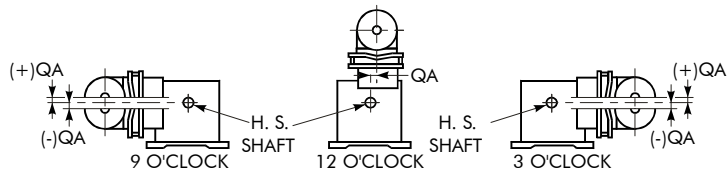
# Type MM

## Motor Mounts/Dimensions — Inches

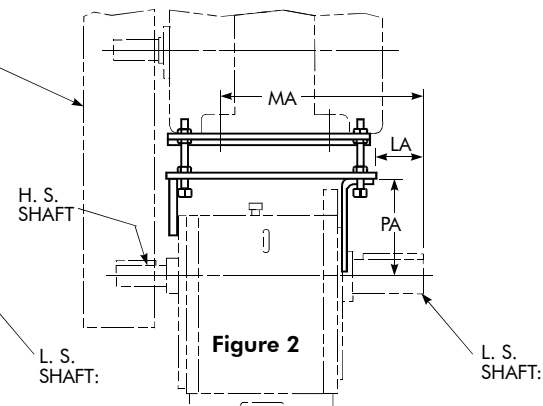
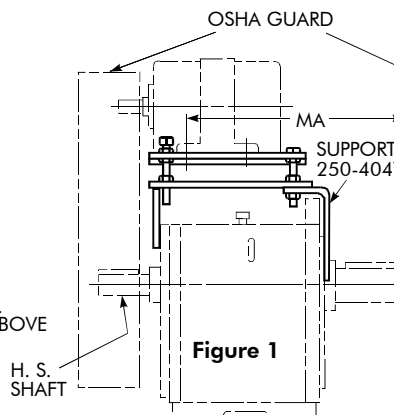
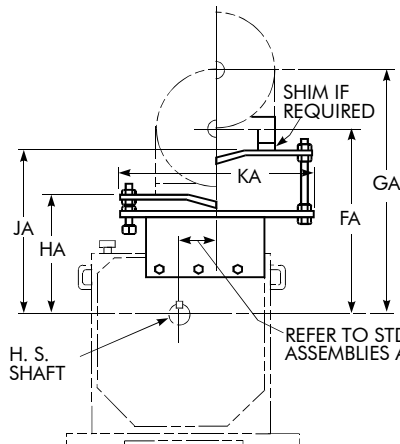
### Standard Assemblies

Assemblies are viewed from high speed end of drive. For 3 and 9 o'clock assemblies, refer to (♦) footnote below to determine dimensions FA, GA, HA and JA. Refer to Page 60 for drive dimensions.

NOTE: Motor mounts are not available for Drive Sizes 2100 thru 2130 with external backstops or drive Sizes 2060 thru 2130 with shaft fans.



Space-saving Type MM motor mounts are designed for use on UltraMax Type FC drives when input through a belt drive is required. The motor mount can be top, left, or right side mounted, and allows for quick belt installation and tensioning.



SIZES 2060 - 2130

SIZES 2060-2100 . . . 140-210T & U▲  
SIZES 2110-2130 . . . 140-400T & U▲

SIZES 2060-2100 . . . 250-400T & U  
(Size 2060 Max. U-Frame is 404)

MOTOR MOUNT & DRIVE SIZE ★	MINIMUM AND MAXIMUM SHAFT CENTERS																3 & 9 ♦ O'clock FA & GA Addition	HA † Min	JA * Max	PA
	12 O'clock Mounting * ♦																			
	140		180		210		250		280		320		360		400					
	FA	GA	FA	GA	FA	GA	FA	GA	FA	GA	FA	GA	FA	GA	FA	GA				
MM2060	16.42	20.02	17.42	21.02	18.18	21.78	19.18	22.78	19.92	23.52	20.92	24.52	22.60	25.52	23.60	26.52	1.96	12.92	16.52	11.48
MM2070	16.92	20.52	17.92	21.52	18.68	22.28	19.68	23.28	20.42	24.02	21.42	25.02	23.10	26.02	24.10	27.02	2.40	13.42	17.02	11.98
MM2080	17.82	21.42	18.82	22.42	19.58	23.18	20.58	24.18	21.32	24.92	22.32	25.92	23.76	26.92	24.76	27.92	2.50	14.32	17.92	12.76
MM2090	18.94	22.54	19.94	23.54	20.70	24.30	21.70	25.30	22.44	26.04	23.44	27.04	24.88	28.04	25.88	29.04	2.32	15.44	19.04	13.88
MM2100	21.32	24.92	22.32	25.92	23.08	26.68	24.08	27.68	24.82	28.42	25.82	29.42	27.26	30.42	28.26	31.42	2.10	17.82	21.42	16.26
MM2110	22.02	25.62	23.02	26.62	23.78	27.38	24.78	28.38	25.52	29.12	26.52	30.12	27.96	31.12	28.96	32.12	2.20	18.52	22.12	16.96
MM2120	21.72	25.32	22.72	26.32	23.48	27.08	24.48	28.08	25.22	28.82	26.22	29.82	27.66	30.82	28.66	31.82	1.90	18.22	21.82	16.66
MM2130	22.62	26.22	23.62	27.22	24.38	27.98	25.38	28.98	26.12	29.72	27.12	30.72	28.56	31.72	29.56	32.72	2.00	19.12	22.72	17.56

DRIVE SIZE ★	140 thru 210			250 thru 320			360 thru 400			DIMENSION MA † FC2, FC3 & FC4							Dimension QA Standard Assemblies Clock Positions		
	KA	Mtr Mt Wt-lb		KA	LA	Mtr Mt Wt-lb	KA	LA	Mtr Mt Wt-lb	140	180	210	250	280	320	360	400	3	9
MM2060	15.00	60	16.00	.08	115	20.00	(+)3.52 ♦	200	18.74	18.24	17.48	16.74	16.24	15.74	15.36	14.60	(-)0.84 ■	(+)1.84 ■	2.24 ■
MM2070	15.00	60	16.00	2.80 †	115	20.00	(+)0.82 ♦ †	200	21.46	20.96	20.20	19.46	18.96	18.46	18.06	17.32	(-)2.64 ■	(-)1.76 ■	2.24 ■
MM2080	15.00	75	20.00	1.92 †	170	20.00	1.92 †	220	24.42	23.92	23.16	22.42	21.92	21.42	20.80	20.04	(-)2.44	(-)1.32	3.94
MM2090	15.00	75	20.00	4.94 †	175	20.00	4.94 †	225	27.44	26.94	26.18	25.44	24.94	24.44	23.82	23.06	(-)2.44	(-)1.32	3.94
MM2100	15.00	80	20.00	8.38	195	20.00	8.38	245	30.96	30.46	29.70	28.96	28.46	27.96	27.26	26.50	(-)0.40	(+)0.40	2.76
MM2110	15.00	80	20.00	Use	190	20.00	Use	240	34.00	33.50	32.74	32.00	31.50	31.00	30.30	29.54	(-)0.40	(+)0.40	2.76
MM2120	15.00	80	20.00	Figure	190	20.00	Figure	240	36.88	36.38	35.62	34.88	34.38	33.88	33.18	32.42	(-)2.76	(-)2.76	2.76
MM2130	15.00	80	20.00	1	190	20.00	1	240	39.46	38.96	38.20	37.46	36.96	36.46	35.76	35.00	(-)2.76	(-)2.76	2.76

★ Dimensions are for reference only and subject to change without notice unless certified.

▲ A support is furnished only for 250T and larger frames.

\* When determining belt length for minimum shaft centers, follow the belt manufacturer's installation allowance recommendations and also provide for future belt tensioning. Motors may be shimmed up to 1.5".

† For 360 and 400 frames add the following to the "HA" dimension: .68" for Sizes 2060 and 2070FC; .44" for Sizes 2080 thru 2130FC.

♦ To determine shaft centers for 3 & 9 o'clock mountings, add amount shown in the 3 & 9 o'clock Addition" column to the 12 o'clock FA & GA dimensions. Dimensions HA and JA will increase the same amounts.

‡ Sizes 2070, 2110 and 2130FC2: add .12" to dimensions MA & LA; Sizes 2080 & 2090FC2: add .38" to dimensions MA & LA.

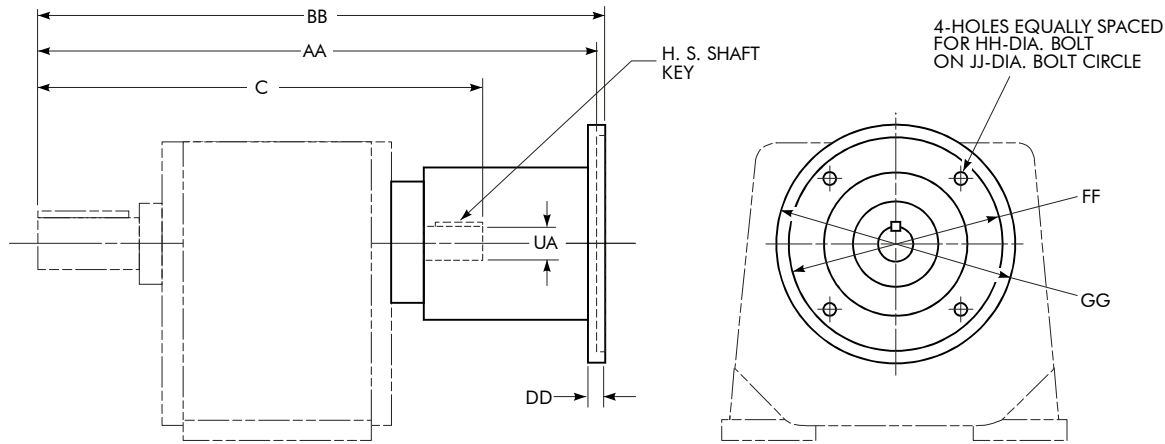
■ Bracket extends beyond end of shaft; (+)LA is from end of shaft, (right), to end of bracket.

■ Dimension QA for Sizes 2060 and 2070FC with the 360-400 motor frames are: add .46" for 3 o'clock; add .34" for 9 o'clock and use 4.34" for 12 o'clock.

# Type MC

## Motor Adapters/Dimensions — Inches

Type MC motor adapters provide for quick flange mounting of NEMA C-face motors on UltraMax Type FC drives.



MOTOR ADAPTER & DRIVE SIZE ★	Drive Type & Reduction	Motor Frame Size	Dimensions — Inches									
			C	AA	BB	DD	FF	GG	HH	JJ	UA	Key
MC2040	FC2	182-184	18.44	22.61	22.81	.64	8.502	9.25	.500	7.250	1.375	.312 x .312 x 2.5
		213-256	18.44	23.11	23.31	.64	8.502	9.25	.500	7.250	1.375	.312 x .312 x 2.5
		284-286 †	18.44	23.86	24.06	.64	10.502	11.50	.500	9.000	1.375	.312 x .312 x 2.5
	FC3	56-145	18.44	21.27	21.52	.64	4.502	7.38	.375	5.875	1.375	.312 x .312 x 2.5
		182-184	18.44	22.64	22.84	.64	8.502	9.25	.500	7.250	1.375	.312 x .312 x 2.5
		213-215	18.44	23.14	23.34	.64	8.502	9.25	.500	7.250	1.375	.312 x .312 x 2.5
MC2050	FC2	182-184	21.54	25.81	26.01	.64	8.502	9.25	.500	7.250	1.625	.375 x .375 x 3.0
		213-256	21.54	26.31	26.51	.64	8.502	9.25	.500	7.250	1.625	.375 x .375 x 3.0
		284-286 †	21.54	27.06	27.26	.64	10.502	11.50	.500	9.000	1.625	.375 x .375 x 3.0
	FC3	56-145	21.54	24.43	24.68	.64	4.502	7.38	.375	5.875	1.625	.375 x .375 x 3.0
		182-184	21.54	25.81	26.01	.64	8.502	9.25	.500	7.250	1.625	.375 x .375 x 3.0
		213-256	21.54	26.31	26.51	.64	8.502	9.25	.500	7.250	1.625	.375 x .375 x 3.0
FC4	56-145	19.98	23.56	23.81	.64	4.502	7.38	.375	5.875	1.000	.250 x .250 x 1.5	
182-184	19.98	24.94	25.14	.64	8.502	9.25	.500	7.250	1.000	.250 x .250 x 1.5		
MC2060	FC2	213-215	24.94	29.26	29.46	.64	8.502	9.25	.500	7.250	1.875	.500 x .500 x 3.2
		254-256	24.94	29.76	29.96	.64	8.502	9.25	.500	7.250	1.875	.500 x .500 x 3.2
		284-286 †	24.94	30.51	30.71	.64	10.502	11.50	.500	9.000	1.875	.500 x .500 x 3.2
	FC3	143-145	24.32	27.48	27.73	.64	4.502	7.38	.375	5.875	1.500	.375 x .375 x 3.0
		182-184	24.32	28.85	29.05	.64	8.502	9.25	.500	7.250	1.500	.375 x .375 x 3.0
		213-256	24.32	29.35	29.55	.64	8.502	9.25	.500	7.250	1.500	.375 x .375 x 3.0
FC4	56-145	23.56	27.48	27.73	.64	4.502	7.38	.375	5.875	1.250	.250 x .250 x 2.2	
	182-184	23.56	28.73	28.93	.64	8.502	9.25	.500	7.250	1.250	.250 x .250 x 2.2	
MC2070	FC3	182-184	27.28	31.52	31.72	.64	8.502	9.25	.500	7.250	1.750	.375 x .375 x 3.0
		213-256	27.28	32.02	32.22	.64	8.502	9.25	.500	7.250	1.750	.375 x .375 x 3.0
		284-286 †	27.28	32.77	32.97	.64	10.502	11.50	.500	9.000	1.750	.375 x .375 x 3.0
	FC4	56-145	26.54	30.07	30.32	.64	4.502	7.38	.375	5.875	1.375	.312 x .312 x 2.5
182-215		26.54	31.45	31.65	.64	8.502	9.25	.500	7.250	1.375	.312 x .312 x 2.5	
MC2080	FC3	182-215	30.64	34.96	35.16	.64	8.502	9.25	.500	7.250	2.000	.500 x .500 x 3.5
		254-256	30.64	35.46	35.66	.64	8.502	9.25	.500	7.250	2.000	.500 x .500 x 3.5
		284-286 †	30.64	36.21	36.41	.64	10.502	11.50	.500	9.000	2.000	.500 x .500 x 3.5
	FC4	56-145	29.90	32.80	33.05	.64	4.502	7.38	.375	5.875	1.625	.375 x .375 x 3.0
		182-184	29.90	34.18	34.38	.64	8.502	9.25	.500	7.250	1.625	.375 x .375 x 3.0
		213-215	29.90	34.68	34.88	.64	8.502	9.25	.500	7.250	1.625	.375 x .375 x 3.0

★ Dimensions are for reference only and are subject to change without notice unless certified.

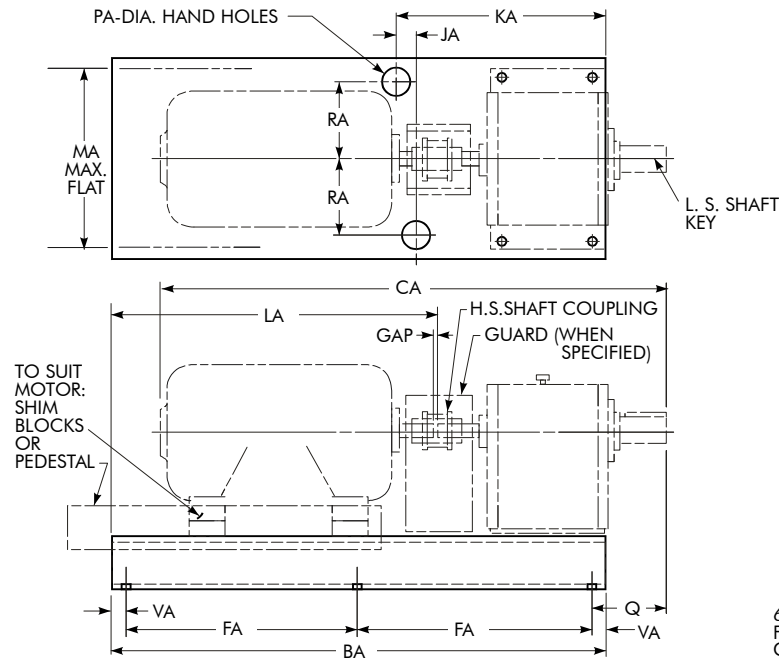
‡ Motor frames 182-256 will have conduit box mounted at 45° for drive Size 2080F3 only.

† Adapter for motor frames 284-286 uses an 8 hole pattern.



# Type MP

## Motor Plates/Dimensions — Inches



Type MP motor plates are used to accommodate oversize motors, special couplings, clutches, or brakes. Motor plates allow for simplified installation of the total assembly, and also provide a rigid, "hard" mounting of the UltraMax and motor when required.

Hand holes provide access to the drive, motor, and motor plate foundation bolts: they also provide simplified handling and venting when the motor plate is grouted in place.

Standard motor plates are available; each plate accommodating two drive sizes, for example, MP40/50 is for size 2040/2050 drives.

Special motor plates can be designed to accommodate special couplings, clutches, brakes and prime movers which will not fit on the standard motor plates shown here.

DRIVE SIZE ★	Motor Plate (MP) Size	D	DA ±.14	LA			Q
				F2	F3	F4	
2040	MP40/50	8.50	14.50	33.52	33.52	NA	7.46
	MP40/50	9.60	15.60	31.62	31.62	33.18	8.66
2060	MP60/70-2	10.60	16.60	22.06	22.68	23.44	8.50
	MP60/70	10.60	16.60	40.06	40.68	41.44	8.50
2070	MP60/70-2	11.66	17.66	19.66	20.72	21.46	9.50
	MP60/70	11.66	17.66	37.66	38.72	39.46	9.50
2080	MP80/90-2	12.78	21.78	37.02	38.06	38.80	11.20
	MP80/90	12.78	21.78	52.02	53.06	53.80	11.20
2090	MP80/90-2	15.74	24.74	34.82	36.24	36.98	12.40
	MP80/90	15.74	24.74	49.82	51.24	51.98	12.40

DRIVE SIZE ★	Motor Plate (MP) Size	D	DA ±.14	LA — W/O Backstop			LA — W/Backstop			Q
				FC2	FC3	FC4	FC2	FC3	FC4	
2100	100/110-2	17.40	26.40	32.54	33.90	34.38	25.94	28.30	28.78	13.54
	100/110	17.40	26.40	58.54	59.90	60.38	51.94	54.30	54.78	13.54
2110	100/110-2	19.50	28.50	29.60	31.52	32.00	23.00	25.92	26.40	14.12
	100/110	19.50	28.50	55.60	57.52	58.00	49.00	51.90	52.40	14.12
2120	120/130-4	21.90	30.90	26.80	28.78	29.56	20.20	23.32	23.58	14.68
	120/130-2	21.90	30.90	46.80	48.78	49.56	40.20	43.32	43.58	14.68
	120/130	21.90	30.90	74.80	76.78	77.56	68.20	71.32	71.58	14.68
2130	120/130-4	24.70	33.70	24.68	27.28	28.06	18.08	21.82	22.08	15.76
	120/130-2	24.70	33.70	44.68	47.28	48.06	38.08	41.82	42.08	15.76
	120/130	24.70	33.70	72.68	75.28	76.06	66.08	69.82	70.08	15.76

DRIVE SIZE ★	Motor Plate (MP) Size	AA*	BA	EA	FA	GA	HA	JA	KA	MA	PA	RA	TA +.20 - .00	VA	Wt-lb (w/o drive)
2040/2050	MP40/50	20.00	46.00	7.50	21.50	.50	1.000	0	15.50	18.00	5.00	6.70	5.90	1.50	270
	MP60/70-2	25.00	40.00	10.00	18.50	.50	1.000	0	20.00	23.00	6.00	8.00	5.90	1.50	272
	MP60/70	25.00	58.00	10.00	27.50	.50	1.000	1.00	22.00	23.00	6.00	8.00	5.90	1.50	380
2080/2090	MP80/90-2	30.00	60.00	11.80	27.50	.75	1.500	0	23.30	26.50	6.00	9.00	8.90	2.50	874
	MP80/90	30.00	75.00	11.80	35.00	.75	1.500	1.00	31.00	26.50	6.00	9.00	8.90	2.50	980
2100/2110	MP100/110-2	35.00	60.00	14.20	27.50	.75	1.500	0	30.00	31.50	6.00	12.00	8.90	2.50	942
	MP100/110	35.00	86.00	14.20	40.50	.75	1.500	2.00	36.00	31.50	6.00	12.00	8.90	2.50	1150
2120/2130	MP120/130-4	39.00	60.00	16.20	27.50	.75	1.500	0	30.00	35.50	6.00	14.00	8.90	2.50	1008
	MP120/130-2	39.00	80.00	16.20	37.50	.75	1.500	0	38.24	35.50	6.00	14.24	8.90	2.50	1294
	MP120/130	39.00	108.00	16.20	51.50	.75	1.500	4.00	46.00	35.50	6.00	14.00	8.90	2.50	1610

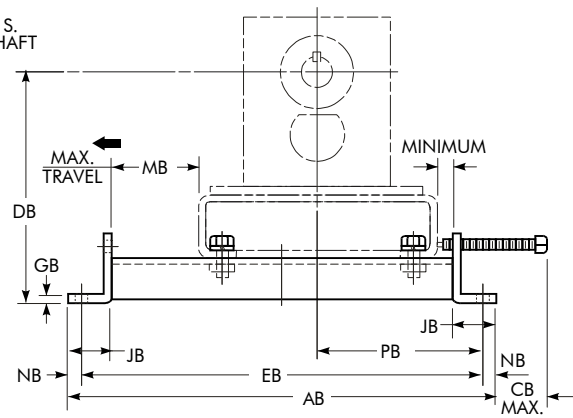
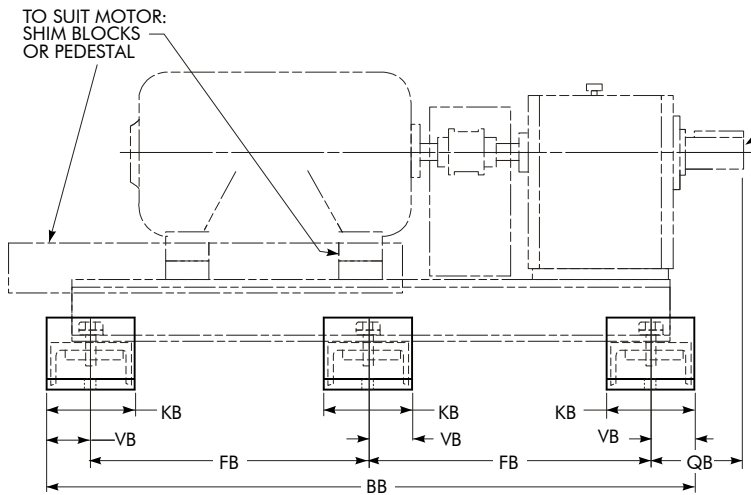
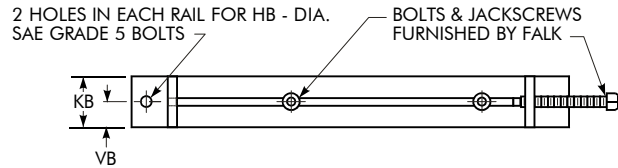
★ Dimensions are for reference only and are subject to change without notice unless certified.

\* When a motor pedestal is furnished, dimension AA is 1.24" wider for MP 40/50, 1.50" wider for MP60 thru 90 and 1.00" wider for MP100 thru 130.

# Type SR

## Slide Rails/Dimensions — Inches

Type SR slide rails can be used in conjunction with UltraMax MP motor plates for positioning of the drive assembly, and to facilitate chain and belt drive installation, tensioning, and service.



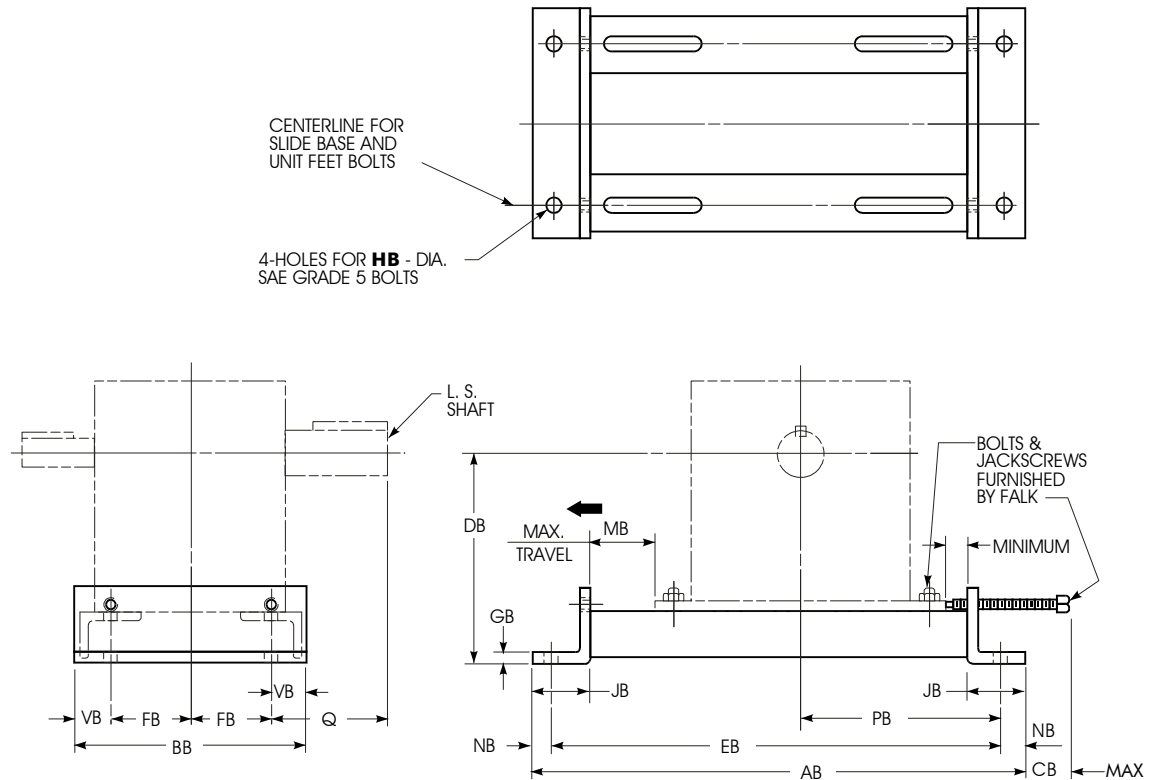
SLIDE RAIL & DRIVE SIZE ★	Motor Plate Size	AB	BB	CB Max	DB	EB	FB	GB	HB	JB	KB	MB	NB	PB Min	QB	VB
SR2040	MP40/50	40.00	50.00	4.20	18.26	37.40	21.50	.75	1.00	4.00	7.00	6.44	1.30	13.00	7.46	3.50
SR2050	MP40/50	40.00	50.00	4.20	19.36	37.40	21.50	.75	1.00	4.00	7.00	6.44	1.30	13.00	8.66	3.50
SR2060	MP60/70-2	40.00	44.00	4.20	20.36	37.40	18.50	.75	1.00	4.00	7.00	6.44	1.30	15.50	8.50	3.50
	MP60/70	40.00	62.00	4.20	20.36	37.40	27.50	.75	1.00	4.00	7.00	6.44	1.30	15.50	8.50	3.50
SR2070	MP60/70-2	40.00	44.00	4.20	21.42	37.40	18.50	.75	1.00	4.00	7.00	6.44	1.30	15.50	9.50	3.50
	MP60/70	40.00	62.00	4.20	21.42	37.40	27.50	.75	1.00	4.00	7.00	6.44	1.30	15.50	9.50	3.50
SR2080	MP80/90-2	60.00	64.60	3.38	27.04	56.00	27.50	1.00	1.50	6.00	9.60	7.20	2.00	19.30	11.20	4.80
	MP80/90	60.00	79.60	3.38	27.04	56.00	35.00	1.00	1.50	6.00	9.60	7.20	2.00	19.30	11.20	4.80
SR2090	MP80/90-2	60.00	64.60	3.38	30.00	56.00	27.50	1.00	1.50	6.00	9.60	7.20	2.00	19.30	12.40	4.80
	MP80/90	60.00	79.60	3.38	30.00	56.00	35.00	1.00	1.50	6.00	9.60	7.20	2.00	19.30	12.40	4.80
SR2100	MP100/110-2	60.00	64.60	3.38	31.66	56.00	27.50	1.00	1.50	6.00	9.60	7.20	2.00	21.80	13.54	4.80
	MP100/110	60.00	90.60	3.38	31.66	56.00	40.50	1.00	1.50	6.00	9.60	7.20	2.00	21.80	13.54	4.80
SR2110	MP100/110-2	60.00	64.60	3.38	33.76	56.00	27.50	1.00	1.50	6.00	9.60	7.20	2.00	21.80	14.12	4.80
	MP100/110	60.00	90.60	3.38	33.76	56.00	40.50	1.00	1.50	6.00	9.60	7.20	2.00	21.80	14.12	4.80
	MP120/130-4	60.00	64.60	3.38	36.16	56.00	27.50	1.00	1.50	6.00	9.60	7.20	2.00	23.80	14.68	4.80
SR2120	MP120/130-2	60.00	84.60	3.38	36.16	56.00	37.50	1.00	1.50	6.00	9.60	7.20	2.00	23.80	14.68	4.80
	MP120/130	60.00	112.60	3.38	36.16	56.00	51.50	1.00	1.50	6.00	9.60	7.20	2.00	23.80	14.68	4.80
	MP120/130-4	60.00	64.60	3.38	38.96	56.00	27.50	1.00	1.50	6.00	9.60	7.20	2.00	23.80	15.76	4.80
SR2130	MP120/130-2	60.00	84.60	3.38	38.96	56.00	37.50	1.00	1.50	6.00	9.60	7.20	2.00	23.80	15.76	4.80
	MP120/130	60.00	112.60	3.38	38.96	56.00	51.50	1.00	1.50	6.00	9.60	7.20	2.00	23.80	15.76	4.80
	MP120/130	60.00	112.60	3.38	38.96	56.00	51.50	1.00	1.50	6.00	9.60	7.20	2.00	23.80	15.76	4.80

★ Dimensions are for reference only and are subject to change without notice unless certified.

# Type SB

## Slide Bases/Dimensions — Inches

Type SB slide bases provide for convenient positioning of UltraMax drives, and facilitate chain and belt installation tensioning and service. The slide base is permanently bolted to the foundation, and when a change of position is desired, the drive is easily shifted by loosening the gear drive foundation bolts and turning the adjusting screws. After the desired belt or chain tension is obtained, the drive foundation bolts are tightened, and the machine is ready for operation. All drives on slide bases are available with motor mounts in the 12 o'clock position; Sizes 2090 and larger are also available with motor mounts in the 3 and 9 o'clock positions.



SLIDE BASE & DRIVE SIZE ★	Q	AB	BB	CB Max	DB	EB	FB	GB	HB	JB	MB	NB	PB Min	VB	Wt-lb Approx.
<b>SB2040</b>	6.86	25.02	10.20	3.36	10.76	23.22	3.05	.50	.750	2.50	4.10	.90	9.54	2.05	41
<b>SB2050</b>	8.10	28.30	11.60	3.56	12.36	26.30	3.55	.50	.875	3.00	4.70	1.00	10.80	2.25	62
<b>SB2060</b>	8.00	31.32	14.70	2.78	13.86	28.72	5.00	.62	1.000	3.50	4.70	1.30	12.00	2.35	92
<b>SB2070</b>	9.20	33.72	16.40	2.90	14.92	31.12	5.65	.62	1.125	3.50	4.70	1.30	13.20	2.55	104
<b>SB2080</b>	10.00	37.68	19.00	4.18	16.54	34.88	6.60	.75	1.250	4.00	5.70	1.40	14.58	2.90	169
<b>SB2090</b>	11.50	44.72	21.00	2.18	20.00	39.72	7.15	1.00	1.500	6.00	5.70	2.50	17.00	3.35	228
<b>SB2100</b>	13.14	46.16	21.20	2.26	21.66	41.16	7.48	1.00	1.500	6.00	5.70	2.50	17.72	3.12	264
<b>SB2110</b>	13.72	49.10	23.60	3.22	25.76	44.10	8.64	1.00	1.500	6.00	6.76	2.50	18.66	3.16	344
<b>SB2120</b>	14.58	52.12	25.60	3.24	28.16	47.12	9.40	1.00	1.750	6.00	6.76	2.50	20.18	3.40	382
<b>SB2130</b>	16.16	53.64	26.20	3.24	30.96	48.64	9.65	1.00	1.750	6.00	6.76	2.50	20.94	3.45	394

★ Dimensions are for reference only and are subject to change without notice unless certified. All drives on slide bases are available with motor mounts in the 12 o'clock position; Sizes 2090 and larger are also available with motor mounts in the 3 and 9 o'clock positions.

# Types IBS & EBS

## Backstops

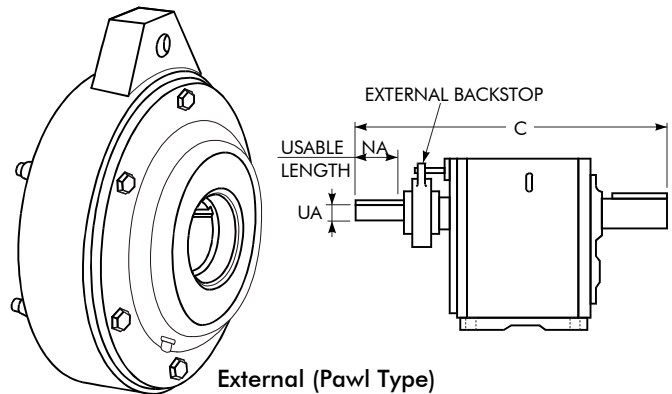
### Prevent Reverse Rotation

Backstops provide positive prevention of reverse rotation or backrun without backlash on conveyors, elevator head shafts and similar applications. Designed as standard accessories, backstops can be furnished on all horizontal concentric shaft drives.

To prevent damage to backstops due to incorrect motor shaft rotation at start up, couplings are NOT assembled when drives are furnished with backstops. After completing the electrical connection, check motor and drive shaft rotations. Then complete alignment and assembly of coupling.

DO NOT use a backstop as a substitute for a brake.

Both types of backstops (internal or external) are designed to prevent reverse rotation 5 times or less in eight hours, with one minute or more in the over-running direction between backstopping load applications. If backstopping operations are more frequent, or the time between operations is less than one minute, the backstop is classified as a working or indexing device and the application must be referred to the Factory for selection. When ordering, specify low speed shaft rotation when viewing drive from the end of the low speed shaft.



External (Pawl Type)

### Drive Sizes 2100 thru 2130

DO NOT use Falk External Backstops (Pawl Type) in tandem. Refer to Factory all applications involving the need for two or more backstops in one system. The Falk Pawl type backstop is designed to operate during overrunning within a speed range of 400 to 1800rpm. Contact Factory for creep drive applications, and for continuous speeds less than 400 rpm, or greater than 1800 rpm. Refer to Factory for tilt limits of backstops.

**TYPE FC** — External Pawl type backstop is mounted on extended high speed shaft. Refer to Backstop Selection Table on Page 69 for all backstop selections.

**TYPE FZ** — External Pawl type backstop is mounted on extended high speed shaft. Motor brackets for drives with external backstops may be slightly longer and are furnished blank (not drilled). Refer to price list for information required by Falk to drill and/or mount motor.

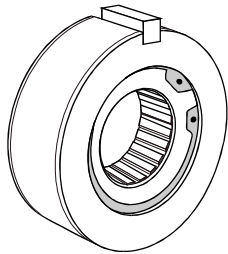
Falk self-contained backstop . . . precision manufactured . . . for either direction of rotation.

Backstop housing . . . case hardened on the inner periphery . . . precision ground. Pawls pivot about hardened steel pins in forged rotor hub.

Bearings . . . pre-lubricated and sealed (or shielded) and require no future lubrication.

Grease-purged seals . . . standard on Pawl Type.

Drive dimensions with and without external backstops . . . identical except for the high speed shaft extension . . . see below.



Internal (IBS) cartridge type

### Drive Sizes 2040 thru 2090

Internal backstop . . . cartridge type . . . compact . . . reliable . . . no measurable power loss.

Can be added . . . removed . . . or reversed without disturbing revolving elements.

Mounted internally on the outer end of the low speed pinion shaft . . . backstop load transmitted only through low speed gear set.

Positive continuous lubrication . . . 50% or more of backstop is immersed in oil.

Drive dimensions with and without backstops . . . identical except for dimension W shown on dimension pages.

Backstops are NOT available for drive Sizes 2040-2090 with 1.5 thru 4.57:1 ratios.

DRIVE SIZE ★	DOUBLE REDUCTION — FC2/FZ2					TRIPLE REDUCTION — FC3/FZ3				QUADRUPLE REDUCTION — FC4/FZ4			
	C	Ratio Range	NA	High Speed Shaft *		C	NA	High Speed Shaft *		C	NA	High Speed Shaft *	
				UA	Key			UA	Key			UA	Key
2100	45.10	5.06-13.95 17.09-31.39	5.24 6.22	2.7500 2.1250	.625 x .625 x 11.00 .500 x .500 x 11.00	42.74	3.88	2.1250	.500 x .500 x 9.00	42.26	3.38	1.8750	.500 x .500 x 8.00
2110	48.62	7.59-20.93 25.63-31.39	5.62 6.62	3.0000 2.1250	.750 x .750 x 11.50 .500 x .500 x 11.50	45.70	3.82	2.1250	.500 x .500 x 9.00	45.22	3.32	1.8750	.500 x .500 x 8.00
2120	51.98	11.39-31.39	6.22	3.2500	.750 x .750 x 12.00	48.86	4.00	2.1250	.500 x .500 x 9.00	48.60	3.74	2.0000	.500 x .500 x 8.00
2130	55.18	13.95-31.39	6.76	3.5000	.875 x .875 x 12.50	51.44	4.00	2.1250	.500 x .500 x 9.00	51.18	3.76	2.0000	.500 x .500 x 8.00

★ Dimensions are for reference only and are subject to change without notice unless certified.

\* Shaft diameters under 3" are held to limits of +.0000", -.0005". Shaft diameters 3" and over are held to limits of +.000", -.001". Shaft keyseat depth is one-half key height. Key extends from the end of the shaft through the backstop.

# Type EBS

External (Pawl Type) Backstop Selections/580 rpm or higher

Nominal Ratios		DRIVE SIZE				Nominal Ratios
		2100	2110	2120	2130	
Double Reduction	5.06					5.06
	6.20					6.20
	7.59					7.59
	9.30					9.30
	11.39					11.39
	13.95					13.95
	17.09					17.09
	20.93					20.93
	25.63					25.63
31.39					31.39	
★Drive rating exceeds backstop rating. Refer to Falk.						
		#60 Backstop				
		#20 Backstop				
Triple Reduction	38.44	#20 Backstop				38.44
	47.08					47.08
	57.66					57.66
	70.62					70.62
	86.50					86.50
	105.90					105.90
	129.70					129.70
	158.90					158.90
	194.60					194.60
Quadruple Reduction	238.40	#20 Backstop				238.40
	291.90					291.90
	357.50					357.50
	437.90					437.90
	536.30					536.30
	656.80					656.80
	804.50					804.50
	985.30					985.30

★ Gear drive maximum rating at 580 rpm exceeds #60 B1F rating. #60 backstop may be used only if required high speed shaft torque is less than 40,320 lb-in.

# Type EF

## Electric Fans/Dimensions — Inches

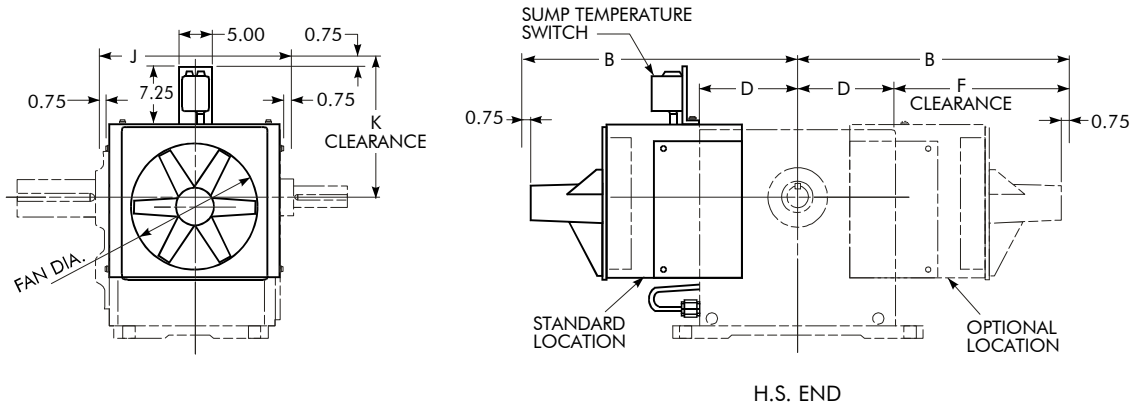
Electric fans achieve thermal capacities up to twice that of shaft fans, are unaffected by shaft rotation and speeds, and are thermostatically controlled to shut off when not required. Electric fans can be mounted on either side of the UltraMax and permit full use of the UltraMax usable shaft extensions. Electric fans are available with the following motor packages:

60 Hz, 3 Phase, 220/380 VAC

60 Hz, 3 Phase, 265/460 VAC

50 Hz, 3 Phase, 220/380 VAC

Other motor package options may be available. Consult Factory for selection, price and delivery.



ELECTRIC FAN, DRIVE SIZE & REDUCTION ★	Electric Fan Dia — Inches	B	D	F	J	K
EF2060 FC2/3 & FZ2/3	12	24.63	6.9	17.73	17.05	14.30
EF2070 FC2/3 & FZ2/3	12	25.59	7.9	17.69	19.05	14.87
EF2080 FC2/3 & FZ2/3	12	26.33	8.7	17.63	21.42	15.37
EF2090 FC2/3 & FZ2/3	14	28.21	9.6	18.61	23.30	16.53
EF2100 FC2/3 & FZ2/3	16	30.15	10.7	19.45	25.05	17.20
EF2110 FC2/3 & FZ2/3	18	32.01	11.6	20.41	27.67	18.40
EF2120 FC2/3 & FZ2/3	20	34.12	12.6	21.52	30.05	19.78
EF2130 FC2/3 & FZ2/3	22	37.93	13.5	24.43	31.55	20.66

★ Dimensions are for reference only and are subject to change without notice unless certified. Drawings are representative of this series of drives and may not agree in exact detail for all drive sizes.

# Type CT

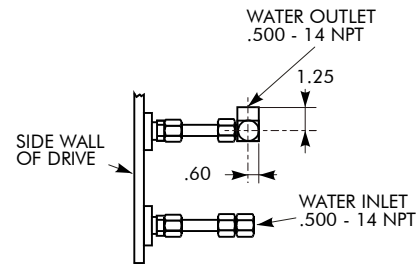
## Cooling Tubes/Dimensions — Inches

Cooling tubes are an economical alternative to pumps and coolers for thermal requirements beyond the range of fans. Water is circulated through a series of finned tubes in the sump of the drive. All joints and connections are external, eliminating any chance of leakage into the drive.

A minimum flow rate of 2 gallons per minute of clean water is required to prevent tube fouling. The maximum flow rate to prevent tube erosion is 5 gallons per minute. Thermal power ratings are based on a water inlet temperature of 70°F (21°C) with 2 gallons per minute flow rate.

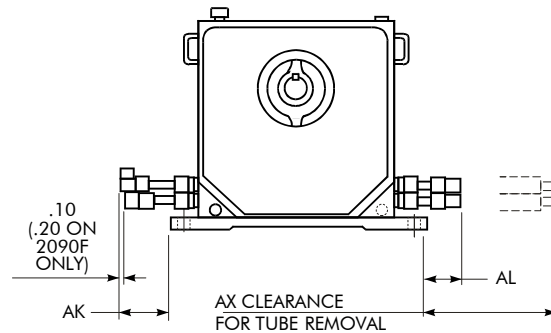
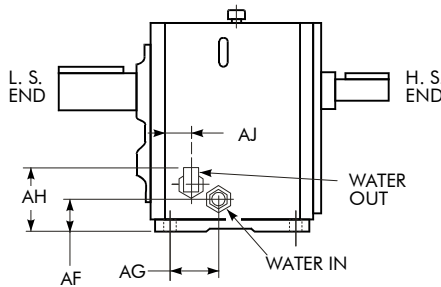
### WATER INLET & OUTLET CONNECTIONS

(All Sizes & Reductions)

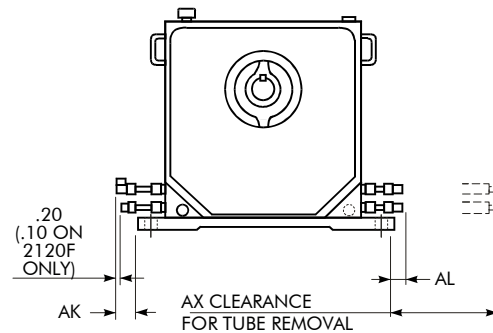
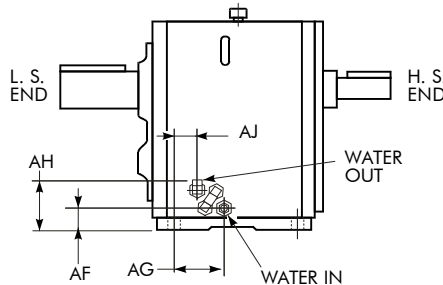


Provide Clearance for Water Connections

DRIVE SIZES 2060F, 2070F, & 2080F ALL REDUCTIONS & RATIOS (1.50 - 985:1) ★  
 DRIVE SIZES 2090F2 - RATIOS (1.50 - 4.57:1 ONLY)



DRIVE SIZES 2090F2, F3, & F4 RATIOS (5.06 - 985:1) ★  
 DRIVE SIZES 2100-2130F ALL REDUCTIONS & RATIOS (1.50 - 985:1)



COOLING TUBE & DRIVE SIZE ★	Drive Reduction	AF	AG	AH	AJ	AK	AL	AX	Std No. of Tubes
CT2060	FC/FZ 2, 3 & 4	2.16	3.80	4.56	1.80	2.7	2.8	19.0	2
CT2070	FC/FZ 2, 3 & 4	2.16	4.35	3.81	2.08	2.6	2.8	21.2	2
CT2080	FC/FZ 2, 3 & 4	2.30	5.40	3.81	2.39	2.4	2.6	22.4	2
CT2090	FC/FZ 2, 3 & 4	2.59	5.60	6.13	2.32	1.7	1.8	23.3	4
CT2090	FC/FZ 2 ■	2.59	5.60	4.10	2.59	1.7	1.8	23.3	2
CT2100	FC/FZ 2, 3 & 4	2.75	6.11	6.29	2.83	1.6	1.7	25.0	4
CT2110	FC/FZ 2, 3 & 4	2.75	6.50	6.29	3.22	2.0	2.1	27.4	4
CT2120	FC/FZ 2, 3 & 4	2.99	8.52	6.74	2.94	1.4	1.6	28.9	6
CT2130	FC/FZ 2, 3 & 4	2.99	8.19	8.83	6.23	1.4	1.5	30.5	8

★ Dimensions are for reference only and are subject to change without notice unless certified. Drawings are representative of this series of drives and may not agree in exact detail for all drive sizes.

■ Ratios 1.50 thru 4.57 only.

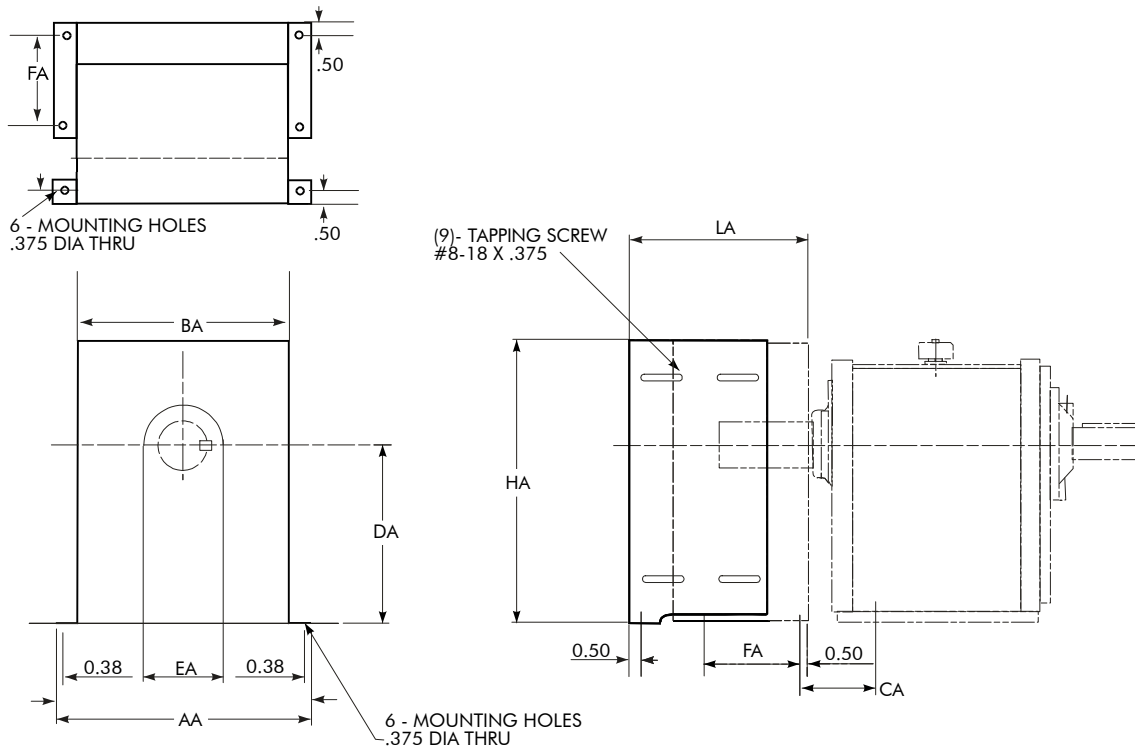
# Coupling Guards

## Dimensions — Inches

Falk UltraMax standard low speed coupling guards provide quick delivery at a low price. In stock at Rexnord, each guard is designed for a specific size UltraMax, and can be adjusted to suit a number of standard couplings and driven equipment requirements. The guards are 14 gauge steel, painted with Rexnord standard paint. Safety Yellow paint can be provided at additional cost with extended delivery.

Falk has designed the UltraMax end of the guard for close mounting, minimal clearance and maximum guarding. The buyer assumes full responsibility for proper guarding of the driven machine end to applicable national and local standards.

For special, made-to-order guards, provide complete details to your Rexnord District Office for a quotation.



DRIVE SIZE	Guard Part Number	DIMENSIONS								Max Coupling Size	
		AA	BA	CA	DA	EA	FA	HA	LA Min-Max	Type T	Type G
2040	787354	13.05	10.55	3.68	8.50	4.00	3.75	13.77	6.27-11.15	1080	1030
2050	787355	13.42	10.92	3.91	9.60	4.50	5.00	15.06	7.65-13.65	1090	1030
2060	787356	15.10	12.55	3.22	10.60	4.75	5.75	16.90	8.40-15.15	1100	1035
2070	787357	16.05	13.55	3.44	11.66	5.25	7.25	18.44	9.88-18.14	1110	1040
2080	787358	17.30	14.80	3.72	12.78	5.50	7.75	20.18	10.41-19.16	1120	1045
2090	787359	18.80	16.30	4.24	15.74	6.00	9.38	23.89	12.02-22.40	1130	1050
2100	787360	20.30	17.80	4.89	17.40	6.50	11.00	26.30	13.32-25.65	1140	1055
2110	787361	23.05	20.55	5.00	19.50	7.00	11.75	29.76	14.41-27.16	1150	1060
2120	787362	24.80	22.30	5.34	21.90	7.50	13.25	33.05	15.90-30.15	1160	1070
2130	787363	27.41	25.05	5.90	24.70	8.30	14.75	37.23	17.40-33.15	1170	1070



**THIS PAGE INTENTIONALLY LEFT BLANK**

# World Class Customer Service

For more than 100 years, the dedicated people of Rexnord have delivered excellence in quality and service to our customers around the globe. Rexnord is a trusted name when it comes to providing skillfully engineered products that improve productivity and efficiency for industrial applications worldwide. We are committed to exceeding customer expectations in every area of our business: product design, application engineering, operations, and customer service.

Because of our customer focus, we are able to thoroughly understand the needs of your business and have the resources available to work closely with you to reduce maintenance costs, eliminate redundant inventories and prevent equipment down time.

Rexnord represents the most comprehensive portfolio of power transmission and conveying components in the world with the brands you know and trust.

UltraMax and Rexnord are registered trademarks of Rexnord Industries, LLC. Viton is a registered trademark of DuPont. Falk is a trademark of Rexnord. All rights reserved.

## WORLDWIDE CUSTOMER SERVICE

### AUSTRALIA

Rexnord Australia Pty. Ltd.  
Picton, New South Wales  
Phone: 61-2-4677-3811  
Fax: 61-2-4677-3812

### BRAZIL

Rexnord Correntes Ltda.  
Sao Leopoldo - RS  
Phone: 55-51-579-8022  
Fax: 55-51-579-8029

### CANADA

Rexnord Canada Ltd.  
Scarborough, Ontario  
Phone: 1-416-297-6868  
Fax: 1-416-297-6873

### CHINA

Rexnord China  
Shanghai, China  
Phone: 86-21-62701942  
Fax: 86-21-62701943

### EUROPE

Rexnord NV/SA  
Mechelen, Belgium  
Phone: 32-15-443811  
Fax: 32-15-443860

Rexnord Kette GmbH  
Betzdorf, Germany  
Phone: 49-2741-2840  
Fax: 49-2741-284-385

### LATIN AMERICA

Rexnord International, Inc.  
Milwaukee, Wisconsin  
Phone: 1-414-643-2366  
Fax: 1-414-643-3222  
E-mail: [international2@rexnord.com](mailto:international2@rexnord.com)

### MEXICO

Mecanica Falk S.A. de C.V.  
Mexico, D.F. 02300  
Phone: 52-55-9140-3500  
Fax: 52-55-9140-3550

### SINGAPORE

Rexnord International, Inc.  
Singapore City, Singapore  
Phone: 65-6338-5622  
Fax: 65-6338-5422

### UNITED STATES

Customer Service  
Phone: 1-866-REXNORD  
(1-866-739-6673)  
Fax: 1-614-675-1898  
E-mail: [rexnordcs\(state\)@rexnord.com](mailto:rexnordcs(state)@rexnord.com)  
Example: [rexnordcsohio@rexnord.com](mailto:rexnordcsohio@rexnord.com)

### ALL COUNTRIES NOT LISTED

Rexnord International  
Milwaukee, Wisconsin  
Phone: 1-414-643-2366  
Fax: 1-414-643-3222  
E-mail: [international1@rexnord.com](mailto:international1@rexnord.com)

