

IBSTOCK | KEVINGTON

Building Components

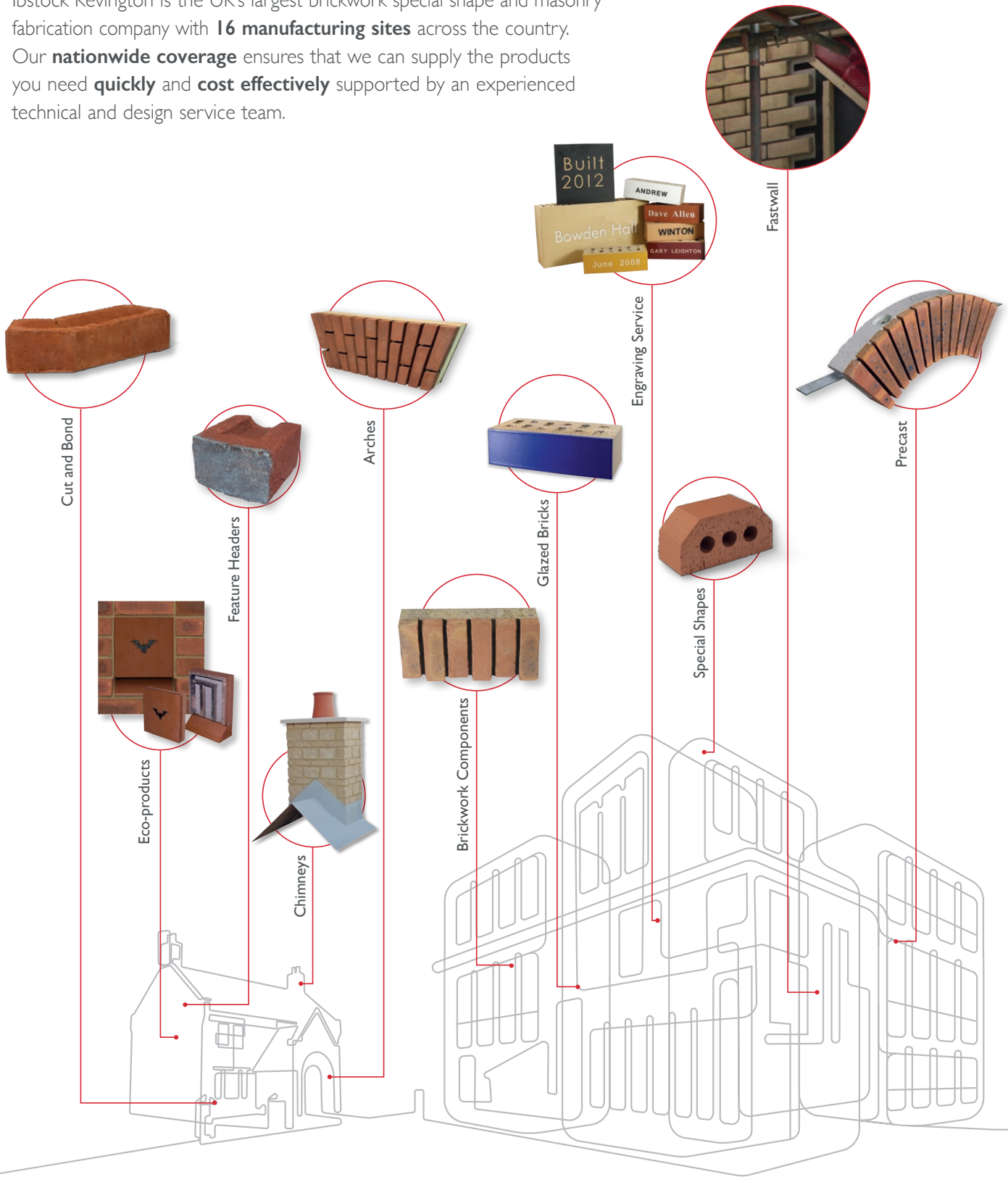
**FASTSTACK®
CHIMNEYS**



IBSTOCK | KEVINGTON

Building Components

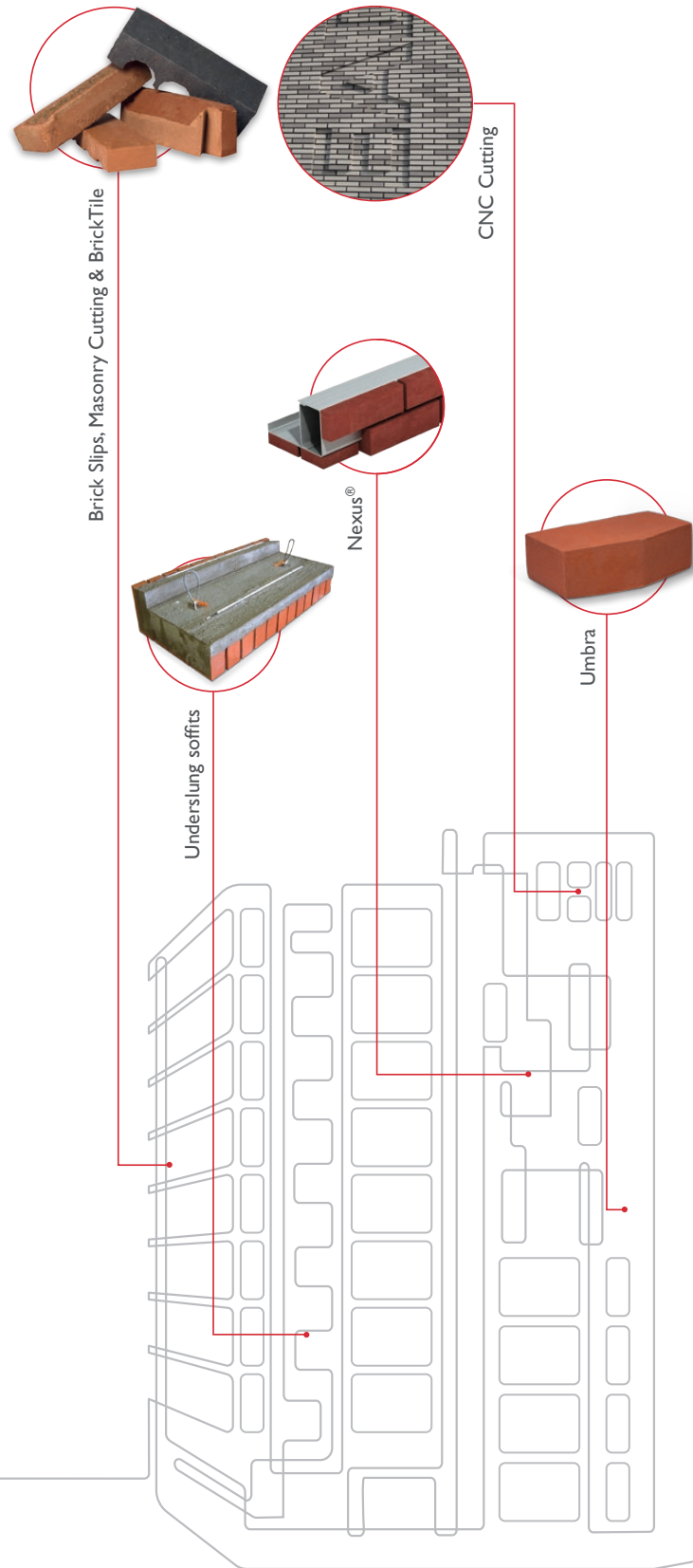
Ibstock Kevington is the UK's largest brickwork special shape and masonry fabrication company with **16 manufacturing sites** across the country. Our **nationwide coverage** ensures that we can supply the products you need **quickly** and **cost effectively** supported by an experienced technical and design service team.



CONTENTS

PAGE

■ Contents	02-03
■ Introduction	04-05
■ Brick-Clad Faststack® Chimneys	06-09
■ Brick-Effect Faststack® Chimneys	10-11
■ Brick-Clad Faststack® Chimney Installation guides	12-17
■ Brick-Effect Faststack® Chimney Installation guides	18-19





PRIVATE HOUSING, NETHERHALL PARK, BIRMINGHAM



FASTSTACK® CHIMNEYS

Faststack® is a **concept in chimney design** suitable for both fully working and decorative functions. Faststack® chimneys are **easy to install** saving both **time** and **money on-site**.

The Faststack® concept has been developed to make the installation of working and decorative chimneys simple and cost effective. The compact design enables the installation of chimneys in situations where traditionally constructed ones would not be possible.

Chimneys may be clad in real brick slips, stone slips or render to suit your housing design. Alternatively we can offer a range of lightweight brick effect chimneys for decorative purposes.



BRICK-CLAD FASTSTACK® CHIMNEYS

The brick-clad Faststack® Chimney System is a prefabricated range of 'working' and 'cosmetic only' chimneys. They are available in a range of standard designs. They comprise of GRP (Glass Reinforced Plastic) cores which are clad in traditional facing materials thereby complementing the properties on which they are to be installed.

Ibstock Kevington was the first to gain BBA Certification for its brick-clad chimneys, giving you total confidence for in excess of 25 years.



All of our chimneys can be made using any brick, stone or render from your project for the best match



- Flues are compact and easy to install, saving both room space and time on-site.
- Faststack® Chimneys are fixed to the roof trusses and the built in flashing channels ensures a waterproof seal.
- Hearths and fireplaces require no extensive foundations or supporting masonry to support the chimney.



Faststack® Chimneys were the first products to meet the requirements of the CGMA. This provides third party performance testing developed with the assistance of the NHBC.

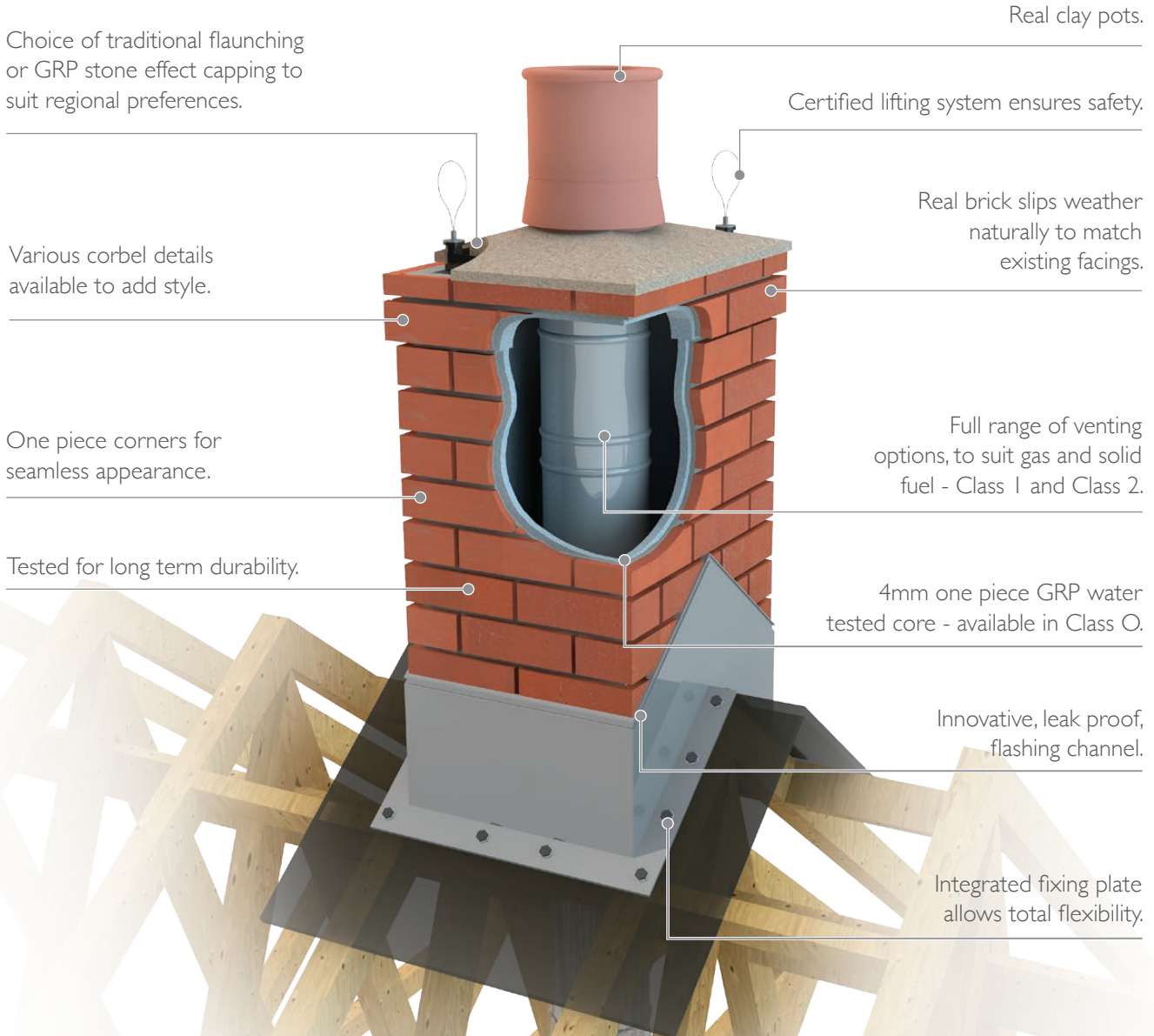


Venting Options

Many of the chimneys in the range are available as fully working units, suitable for venting both Class 1 & Class 2 appliances. These chimneys include a pre-installed Twinwall flue system selected to suit the particular requirements of the project. Once on site the system is simply linked to the existing flue system using appropriate couplings.

NOT ALL CHIMNEYS ARE THE SAME

Any roof, any pitch, any location on the roof



Choice of traditional flaunching or GRP stone effect capping to suit regional preferences.

Real clay pots.

Certified lifting system ensures safety.

Various corbel details available to add style.

Real brick slips weather naturally to match existing facings.

One piece corners for seamless appearance.

Full range of venting options, to suit gas and solid fuel - Class 1 and Class 2.

Tested for long term durability.

4mm one piece GRP water tested core - available in Class O.

Innovative, leak proof, flashing channel.

Integrated fixing plate allows total flexibility.

- CGMA quality assured.
- BBA Certification with a service life in excess of 25 years.
- Full installation instructions and fixing pack included.



The NHBC recommend that only chimneys that are made to CGMA standards or third party accreditations are to be used. NHBC Technical Advice. June 2012

BRICK-CLAD FASTSTACK® CHIMNEY RANGE

CHIMNEY LOCATIONS



GABLE END RIDGE

The Gable End Ridge chimneys are designed to allow the brickwork to continue from the gable wall into the chimney unit.



MID RIDGE

In situations where the chimneys are not located directly over the gable wall, the Mid Ridge design can be used.



MONO PITCH

Faststack Mono Pitch chimneys can be located anywhere on the roof pitch.



PARAPET

The Parapet chimneys are suitable for installation directly over a Parapet wall. These chimneys can be designed to accommodate a variety of heights and widths and include a cut out area to allow the chimney to be seated traditionally on the parapet wall.

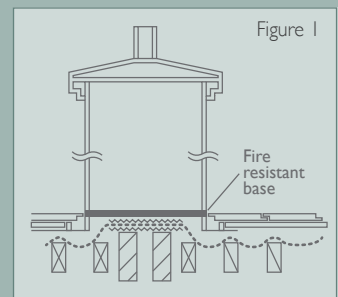
NHBC GUIDANCE

Fire protection at the junction of a separating wall to a pitched roof is usually achieved by the provision of mineral quilt to fill gaps between the wall, roof underlay and roof covering, across the full width of the wall. It is essential that the fire protection is not compromised.

To prevent the spread of fire, the dummy chimney should be provided with a fire resistant base so as to achieve the fire protection.

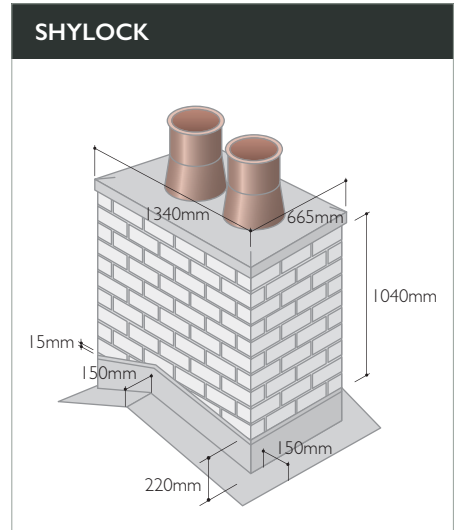
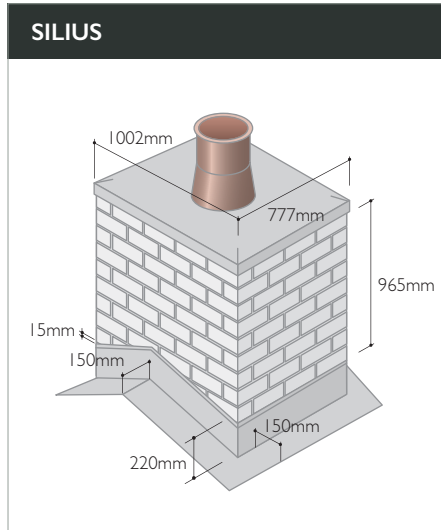
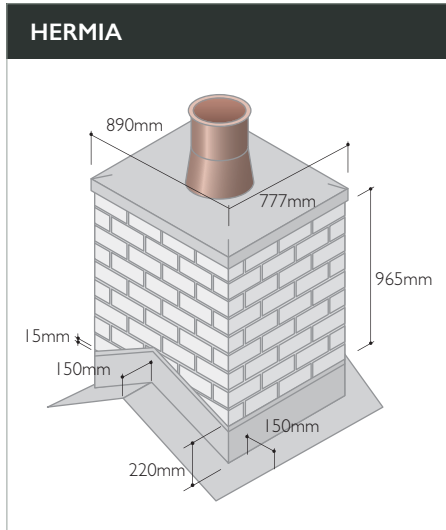
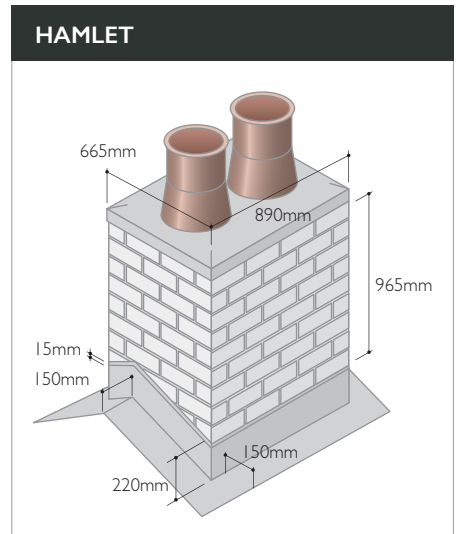
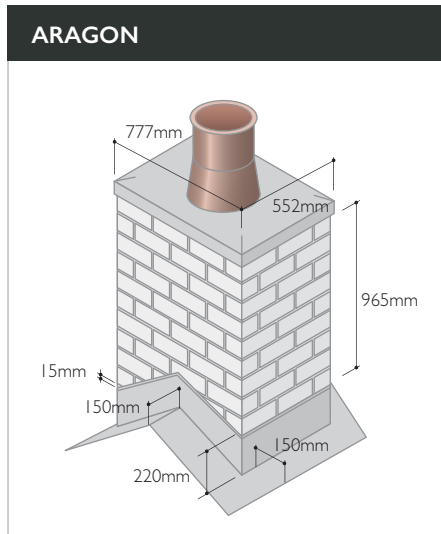
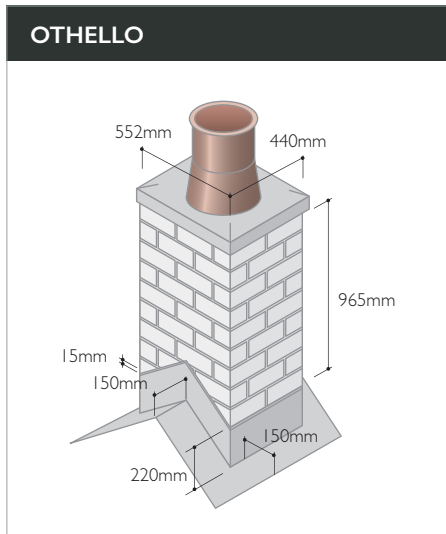
Any gaps between the base of the chimney and the separating wall should be filled with a non-combustible material in a similar manner to the fire stopping provided between the party wall and roof covering.

One way of achieving this is to adopt the detail shown in Figure 1. It shows the typical fire stopping provided between the wall and roof covering continuing under the dummy chimney. It is important that the method of fire protection provided under the dummy chimney links fully with the fire stopping provided between the wall and roof covering. The secondary weatherproofing provided by the roof underlay should be maintained by either continuing the underlay under or dressing it around the chimney.



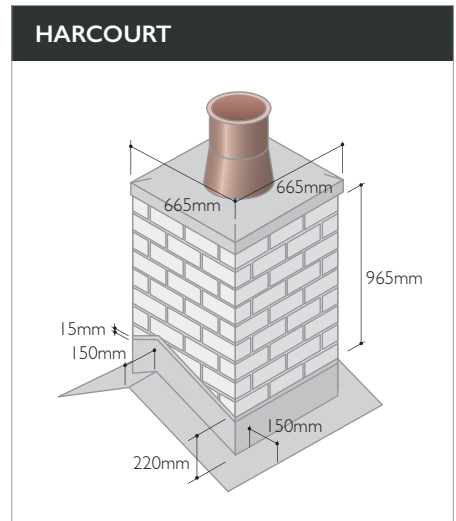
For technical and design advice call **0844 800 4576** or visit www.nhbc.co.uk

CHIMNEY STYLES



CHIMNEY STYLE AND LOCATION

STYLE	SIZE	WEIGHT	GABLE END RIDGE INC. TWINWALL FLUE SYSTEM	PARAPET	MONO PITCH INC. TWINWALL FLUE SYSTEM	MID RIDGE INC. TWINWALL FLUE SYSTEM
Othello	552 x 440mm	Approx 175kg	N	Y	Y	Y
Aragon	777 x 552mm	Approx 210kg	N	Y	Y	Y
Hamlet	665 x 890mm	Approx 220kg	Y	Y	Y	Y
Hermia	890 x 777mm	Approx 250kg	Y	Y	Y	Y
Silius	1002 x 777mm	Approx 300kg	Y	Y	Y	Y
Shylock	1340 x 665mm	Approx 230kg	N	Y	Y	Y
Harcourt	665 x 665mm	Approx 210kg	Y	Y	Y	Y



Version shown for 35° pitch roof. The height of the Shylock chimney varies according to roof pitch.

BE CONFIDENT IN YOUR CHOICE...



CGMA Quality Assured

BBA Certified

NHBC Approved

BRICK-EFFECT FASTSTACK® RANGE

Brick effect chimneys are a modern and lightweight alternative to brick slip clad chimneys and are suitable for Mid Ridge and Mono Pitch locations for decorative purposes.

Using the latest in GRP technology they can be manufactured with a finish to match virtually any brick type and include very realistic mortar effect joints. Due to their light weight (25kg average) they can be installed quickly and easily without the need for cranes or heavy duty lifting equipment on site.

The Innovative rain bar system built in to this product offers an effective flashing solution in conjunction with a simple lead apron at the front and

rear of the chimney. The necessary aprons can be included and bonded in to position on the chimney ready for a quick and simple installation process.

We offer a standard range of five designs all available with a corbel detail as standard. A stone effect capping can be specified or for a more traditional finish the chimneys can be provided with a flat top for on-site flaunching.

All of our brick effect chimneys are CGMA approved and are supplied with standard mortar colour.



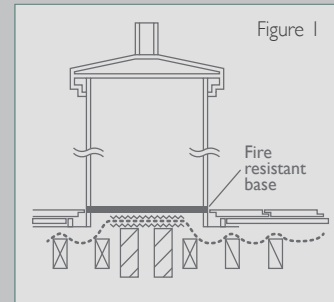
NHBC GUIDANCE

Fire protection at the junction of a separating wall to a pitched roof is usually achieved by the provision of mineral quilt to fill gaps between the wall, roof underlay and roof covering, across the full width of the wall. It is essential that the fire protection is not compromised.

To prevent the spread of fire, the dummy chimney should be provided with a fire resistant base so as to achieve the fire protection.

Any gaps between the base of the chimney and the separating wall should be filled with a non-combustible material in a similar manner to the fire stopping provided between the party wall and roof covering. The secondary weatherproofing provided by the roof underlay should be maintained by either continuing the underlay under or dressing it around the chimney.

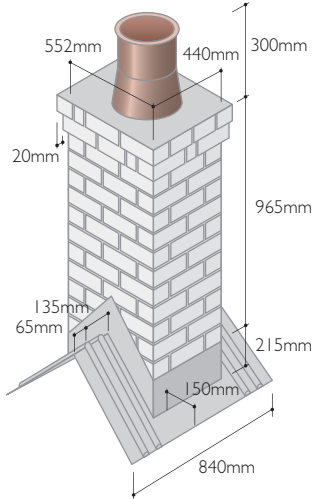
One way of achieving this is to adopt the detail shown in Figure 1. It shows the typical fire stopping provided between the wall and roof covering continuing under the dummy chimney. It is important that the method of fire protection provided under the dummy chimney links fully with the fire stopping provided between the wall and roof covering. The secondary weatherproofing provided by the roof underlay should be maintained by either continuing the underlay under or dressing it around the chimney.



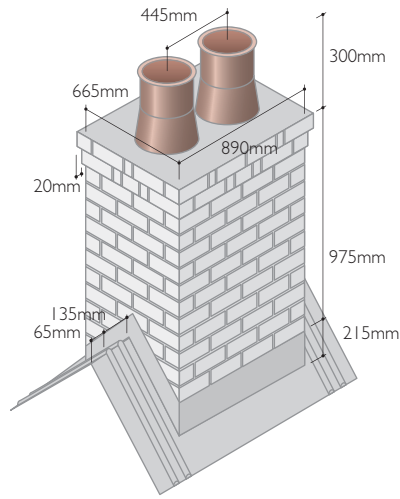
For technical and design advice call **0844 800 4576** or visit www.nhbc.co.uk

CHIMNEY STYLES

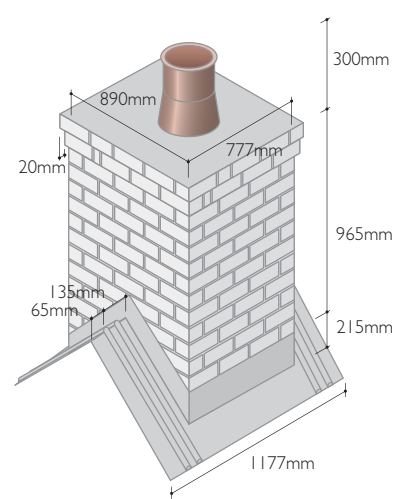
OTHELLO



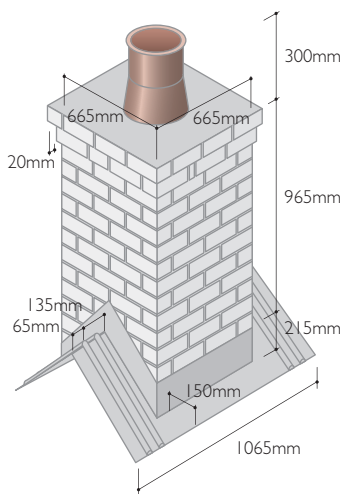
HAMLET



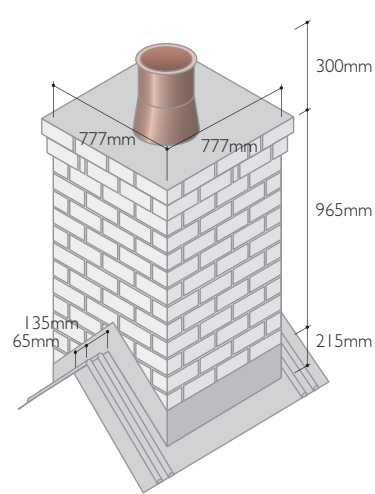
HERMIA



HARCOURT



BRANDON



BE CONFIDENT IN YOUR CHOICE...



CGMA Quality Assured



NHBC Approved



BRICK-CLAD & BRICK-EFFECT
FASTSTACK® CHIMNEY
INSTALLATION GUIDES



INSTALLATION GUIDES

BRICK-CLAD FASTSTACK® Mid Ridge Chimney

1 + 2 PREPARATION

The chimneys should be pointed on the ground prior to installation. The mortar used should be a 1:1/2:4 (cement/lime/sand) mix and must include a waterproofing admix, such as sika 1 or similar. The pointing must be bucket handle profile.

Prepare the trusses with 2 layers of felt in the area where the chimney will be seated. The felt should exceed the dimensions of the fixing plate by 460mm on all sides. If the remainder of the roof felt is to be fitted at a later stage, it must be fully lapped under the chimney felt to ensure a continuous run. Additional timber should be nailed horizontally, between the trusses where the chimney will be seated to allow fixing through the front and rear fixing plates, in addition to the side plates. All supplied fixings must be used.

FLAUNCHING

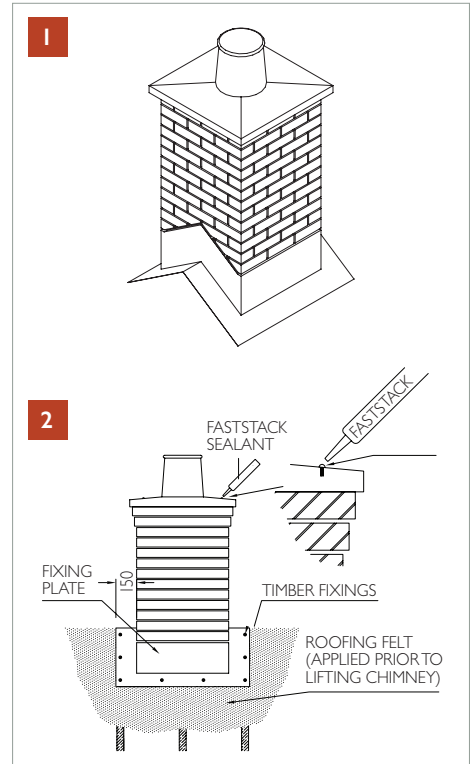
Flat top chimneys must be flaunching with a strong sand/cement mix. The flaunching should be a minimum of 25mm thick around the perimeter of the chimney and should NOT be feathered away to nothing. This can be done prior to installation however the lifting sockets must remain visible to allow the insertion of the loops provided for lifting. Once in position on the roof the supplied plugs should be inserted into the eyes and fixed using the supplied sealant.

LIFTING

Cut the retaining straps between the chimney and pallet. Remove the plastic plugs from the lifting threads and screw in the lifting loops provided. Crane the chimney into position, remove the loops and reinsert the plastic plugs applying a liberal amount of sealant around the plug.

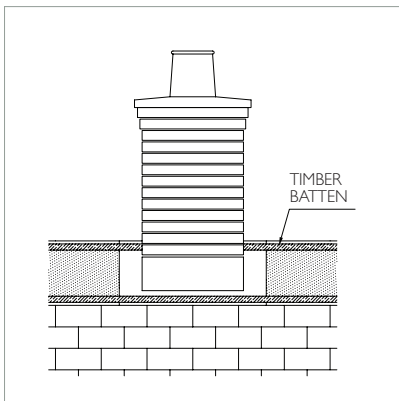
FIXING

Once in position locate the centres of the trusses beneath the fixing plate and drill the fixing plate accordingly. Screw directly into the trusses below using all the stainless steel fixings and washer kits provided. Mild steel fixings cannot be used for this purpose.



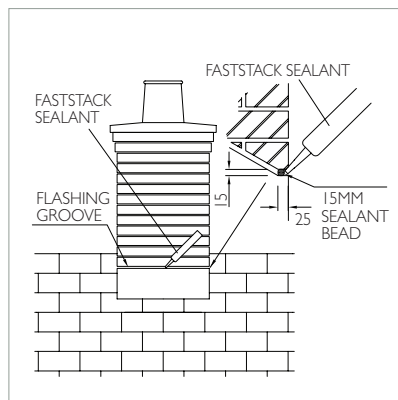
3 BATTEN AND TILE

Batten and tile over the fixing plate and up to the vertical sides of the chimney unit. Where the batten overlaps the fixing plate it must be drilled and screwed through. It may, in some instances, be necessary to reduce the thickness of the batten at this point to accommodate the fixing plate.



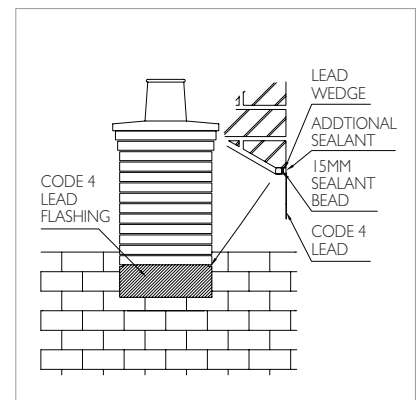
4 FLASHING

The polyurethane sealant provided should be applied into the flashing channel to a depth of 15mm (refer to data sheet for health and safety information). Sealant must be applied to the entire length of the flashing channel.



5 FLASHING contd

Code 4 lead must then be dressed into the full depth of the channel and wedged into position with lead wedges before the sealant has cured. Once the lead is in position the remainder of the channel must be filled with the sealant provided until flush with the face of the brick slips.



SATELLITE DISHES AND TELEVISION AERIALS MUST NOT BE FIXED TO THE FASTSTACK CHIMNEY

BRICK-CLAD FASTSTACK® Gable End Chimney

1 + 2 PREPARATION

The gable wall brickwork should be constructed traditionally to the point where the width of the wall corresponds with the internal width of the proposed chimney (dimensions shown below). At this point the gable wall brickwork and blockwork should be constructed vertically to a dimension of 215mm.

Othello - 540mm	Hamlet and Harcourt - 653mm	Aragon - 765mm
Silius - 990mm	Hermia - 878mm	Shylock - 1328mm

The chimneys should be pointed on the ground prior to installation. The mortar used should be a 1:1/2:4 (cement/lime/sand) mix and must include a waterproofing admix, such as sika 1 or similar. The pointing must be a bucket handle profile.

Prepare the trusses with 2 layers of felt in the area where the chimney will be seated. The felt should exceed the dimensions of the fixing plate by 460mm on all sides. If the remainder of the roof felt is to be fitted at a later stage, it must be fully lapped under the chimney felt to ensure a continuous run. Additional timber should be nailed horizontally, between the trusses where the chimney will be seated to allow fixing through the front and rear fixing plates, in addition to the side plates. All supplied fixings must be used.

FLAUNCHING

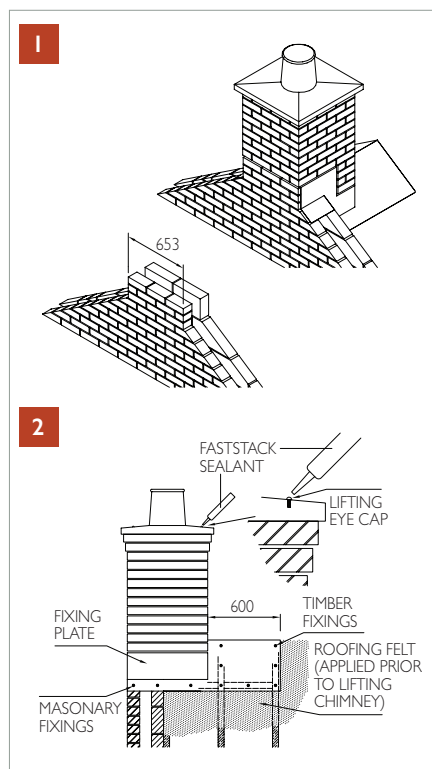
Flat top chimneys must be flaunching with a strong sand/cement mix. The flaunching should be a minimum of 25mm thick around the perimeter of the chimney and should NOT be feathered away to nothing. This can be done prior to installation however the lifting sockets must remain visible to allow the insertion of the loops provided for lifting. Once in position on the roof the supplied plugs should be inserted into the eyes and fixed using the supplied sealant.

LIFTING

Cut the retaining straps between the chimney and pallet. Remove the plastic plugs from the lifting threads and screw in the lifting loops provided. Crane the chimney into position, remove the loops and reinsert the plastic plugs applying a liberal amount of sealant around the plug.

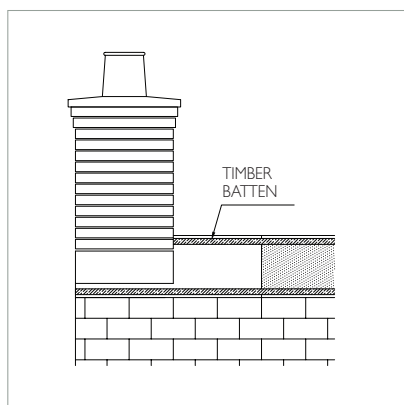
FIXING

The face of the chimney brickwork should now be flush with the gable wall brickwork. Once in position locate the centres of the trusses beneath the fixing plate and drill the fixing plate accordingly. Screw directly into the trusses below using all the stainless steel fixings and washer kits provided. In addition to this the supplied masonry screw and plug sets should be used for fixing to the gable wall masonry. Mild steel fixings cannot be used for this purpose.



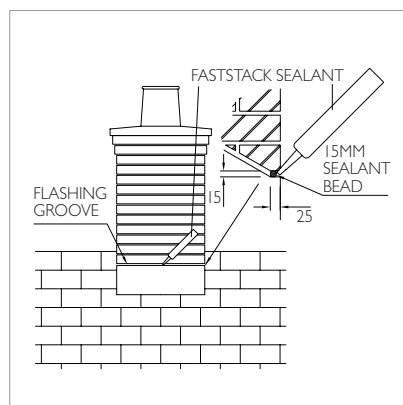
3 BATTEN AND TILE

Batten and tile over the fixing plate and up to the vertical sides of the chimney unit. Where the batten overlaps the fixing plate, it must be drilled and screwed through. It may, in some instances, be necessary to reduce the thickness of the batten at this point to accommodate the fixing plate.



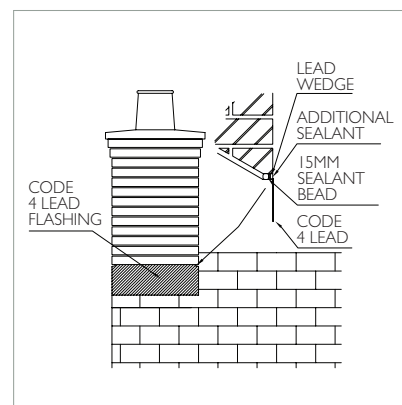
4 FLASHING

The polyurethane sealant provided should be applied into the flashing channel to a depth of 15mm (refer to data sheet for health and safety information). Sealant must be applied to the entire length of the flashing channel.



5 FLASHING contd

Code 4 lead must then be dressed into the full depth of the channel and wedged into position with lead wedges before the sealant has cured. Once the lead is in position the remainder of the channel must be filled with the sealant provided until flush with the face of the brick slips.



SATELLITE DISHES AND TELEVISION AERIALS MUST NOT BE FIXED TO THE FASTSTACK CHIMNEY

BRICK-CLAD FASTSTACK® Mono Pitch Chimney

1 + 2 PREPARATION

The chimneys should be pointed on the ground prior to installation. The mortar used should be a 1:1/2:4 (cement/lime/sand) mix and must include a waterproofing admix, such as sika 1 or similar. The pointing must be to the full depth of the joints.

The chimneys must be located between two trusses and seated on a solid timber platform which must be constructed at the appropriate height within the roof space. This platform will support the weight of the chimney unit and must therefore be designed and constructed accordingly.

The trusses should be permanently fitted allowing sufficient space for the chimney to pass through during installation.

Prepare the trusses with two layers of felt in the area where the chimney will be seated. The felt should exceed the dimensions of the fixing plate by 460mm on all sides. Cut the felt to allow the chimney to pass through. If the remainder of the felt is to be fitted at a later stage it must be fully lapped under the chimney felt to ensure a continuous run.

Additional noggins should be nailed between supporting trusses to allow fixing through the front, rear and side of fixing plates.

LIFTING

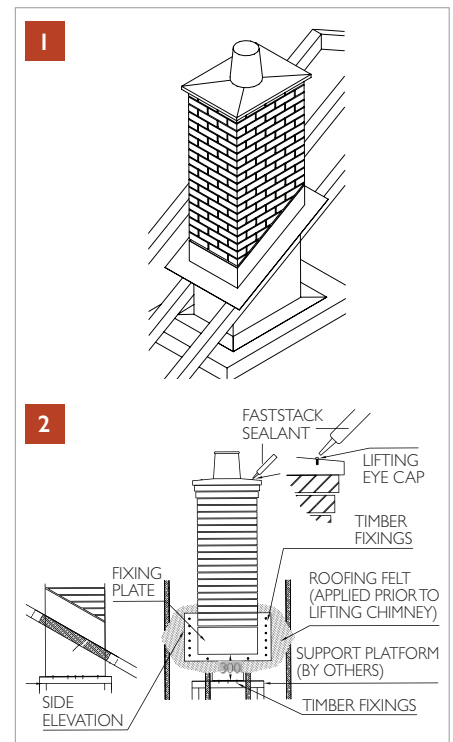
Cut the retaining straps between the chimney and pallet. Remove the plastic plugs from the lifting threads and screw in the lifting loops provided. Crane the chimney into position and lower onto the platform, remove the loops and reinsert the plastic plugs applying a liberal amount of sealant around the plug.

FLAUNCHING

Flat top chimneys must be flaunching with a strong sand/cement mix. The flaunching should be a minimum of 25mm thick around the perimeter of the chimney and should NOT be feathered away to nothing. This can be done prior to installation however the lifting sockets must remain visible to allow the insertion of the loops provided for lifting. Once in position on the roof the supplied plugs should be inserted into the eyes and fixed using the supplied sealant.

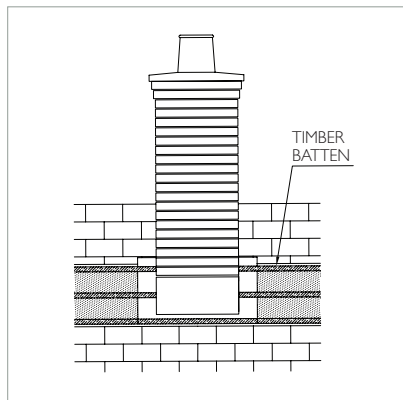
FIXING

Once in position locate the centres of the trusses beneath the diagonal fixing plate and drill the fixing plate accordingly. Screw directly into the trusses below. Repeat the procedure at the base plate and securely fasten to the supporting platform using all the stainless steel fixings and washer kits provided. Mild steel fixings cannot be used for this purpose. The support platform will be constructed on site by others. This platform will support the full weight of the chimney once installed and must therefore be designed and constructed accordingly. Please refer to your truss manufacturers/engineers.



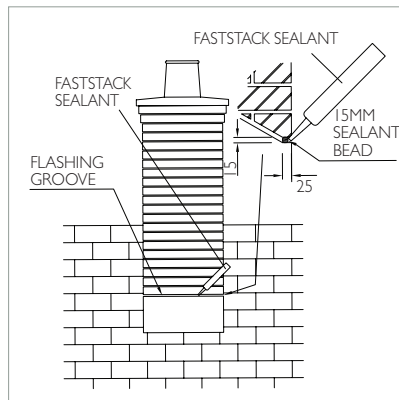
3 BATTEN AND TILE

Batten and tile over the fixing plate and up to the vertical sides of the chimney unit. Where the batten overlaps the fixing plate it must be drilled and screwed through. It may, in some instances, be necessary to reduce the thickness of the batten at this point to accommodate the fixing plate.



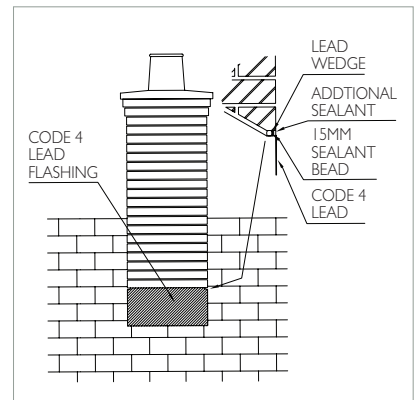
4 FLASHING

The polyurethane sealant provided should be applied into the flashing channel to a depth of 15mm (refer to data sheet for health and safety information). Sealant must be applied to the entire length of the flashing channel.



5 FLASHING contd

Code 4 lead must then be dressed into the full depth of the channel and wedged into position with lead wedges before the sealant has cured. Once the lead is in position the remainder of the channel must be filled with the sealant provided until flush with the face of the brick slips.



SATELLITE DISHES AND TELEVISION AERIALS MUST NOT BE FIXED TO THE FASTSTACK CHIMNEY

BRICK-CLAD FASTSTACK® Parapet Chimney

1 + 2 PREPARATION

The gable and parapet wall brickwork should be constructed traditionally to the point where the parapet wall width corresponds with the internal width of the proposed chimney (dimensions shown below). At this point the brick/blockwork should be constructed vertically to a dimension of 215mm or three courses without further cropping to form the transitional brickwork between chimney and parapet wall as shown below.

Othello - 540mm Hamlet and Harcourt - 653mm Aragon - 765mm
 Silius - 990mm Hermia - 878mm Shylock - 1328mm

The chimneys should be pointed on the ground prior to installation. The mortar used should be a 1:1/2:4 (cement/lime/sand) mix and must include a waterproofing admix, such as sika 1 or similar. The pointing must be a bucket handle profile.

Prepare the trusses with 2 layers of felt in the area where the chimney will be seated. The felt should exceed the dimensions of the fixing plate by 460mm on all sides. If the remainder of the roof felt is to be fitted at a later stage, it must be fully lapped under the chimney felt to ensure a continuous run. Additional timber should be nailed, horizontally, between the trusses where the chimney will be seated to allow fixing through the front and rear fixing plates, in addition to the side plates. All supplied fixings must be used.

FLAUNCHING

Flat top chimneys must be flaunching with a strong sand/cement mix. The flaunching should be a minimum of 25mm thick around the perimeter of the chimney and should NOT be feathered away to nothing. This can be done prior to installation however the lifting sockets must remain visible to allow the insertion of the loops provided for lifting. Once in position on the roof the supplied plugs should be inserted into the eyes and fixed using the supplied sealant.

LIFTING

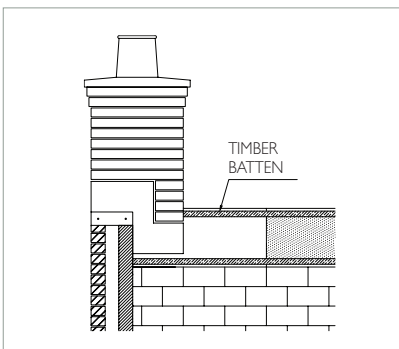
Cut the retaining straps between the chimney and pallet. Remove the plastic plugs from the lifting threads and screw in the lifting loops provided. Crane the chimney into position, remove the loops and reinsert plastic plugs applying a liberal amount of sealant around the plug.

FIXING

The face of the chimney brickwork should now be flush with the gable/parapet wall brickwork. Once in position locate the centres of the trusses beneath the fixing plate and drill the fixing plate accordingly. Screw directly into the trusses below using all the stainless steel fixings and washer kits provided. In addition to this the supplied masonry screw and plug sets should be used for fixing to the gable/parapet wall masonry. Mild steel fixings cannot be used for this purpose.

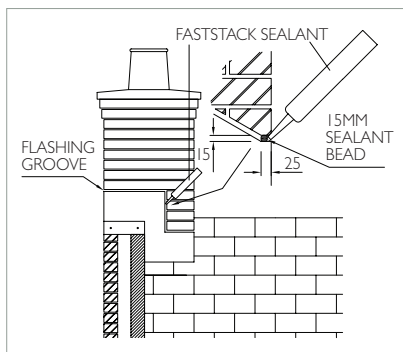
3 BATTEN AND TILE

Batten and tile over the fixing plate and up to the vertical sides of the chimney unit. Where the batten overlaps the fixing plate it must be drilled and screwed through. It may, in some instances, be necessary to reduce the thickness of the batten at this point to accommodate the fixing plate. Any necessary lead work to the parapet wall should be installed at this stage of the process.



4 FLASHING

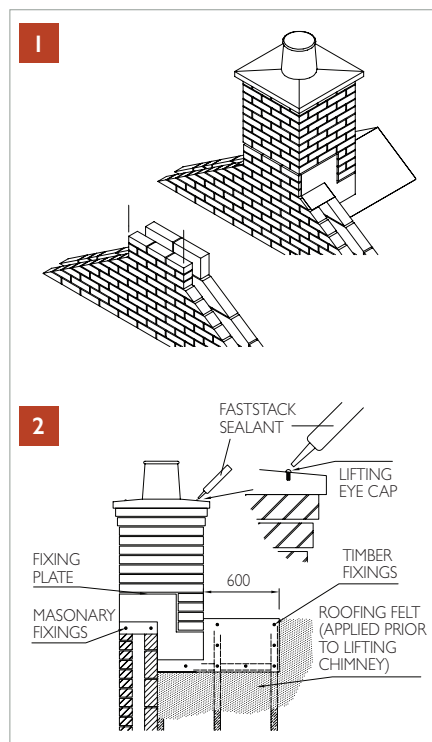
The polyurethane sealant provided should be applied into the flashing channel to a depth of 15mm (refer to data sheet for health and safety information). Sealant must be applied to the entire length of the flashing channel.



6

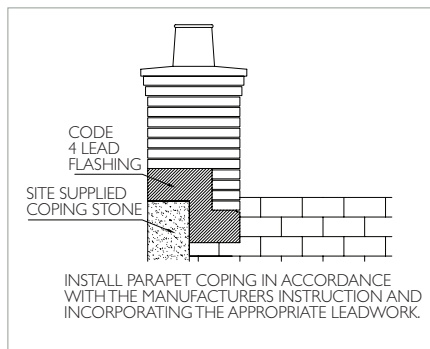
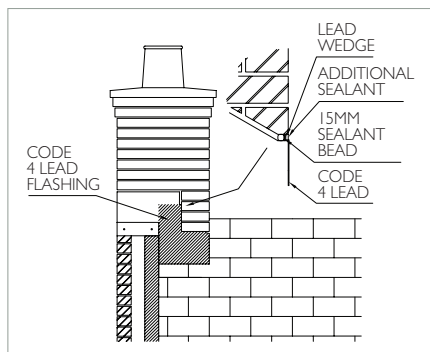
Install parapet coping in accordance with the manufacturers instruction and incorporating the appropriate lead work.

SATELLITE DISHES AND TELEVISION AERIALS MUST NOT BE FIXED TO THE FASTSTACK CHIMNEY

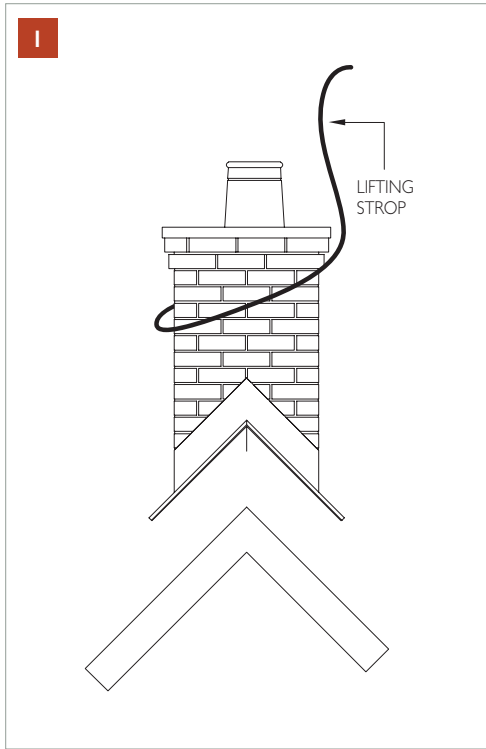


5 FLASHING (continued)

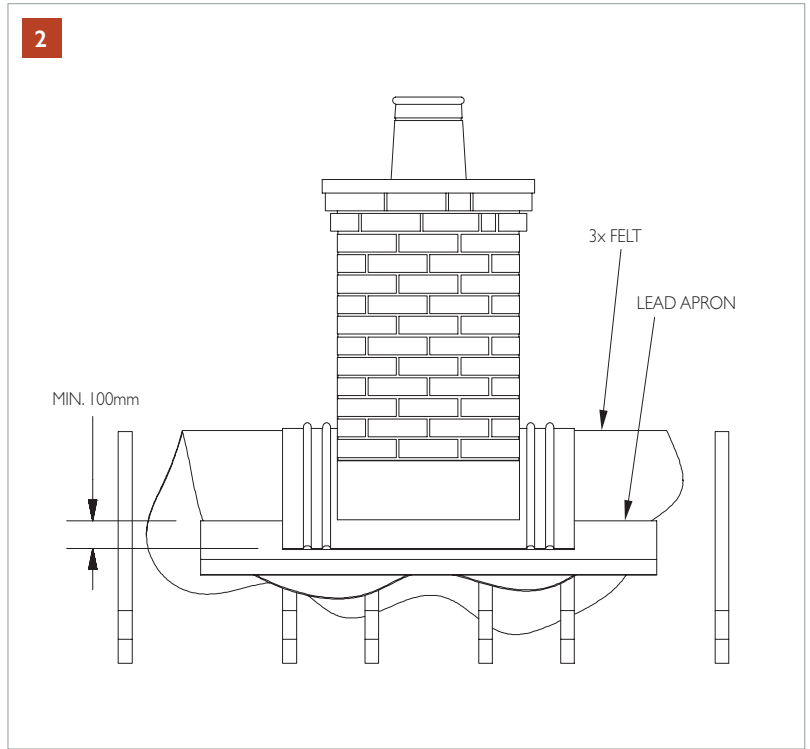
Code 4 lead must then be dressed into the full depth of the channel and wedged into position with lead wedges before the sealant has cured. Once the lead is in position the remainder of the channel must be filled with the sealant provided until flush with the face of the brick slips.



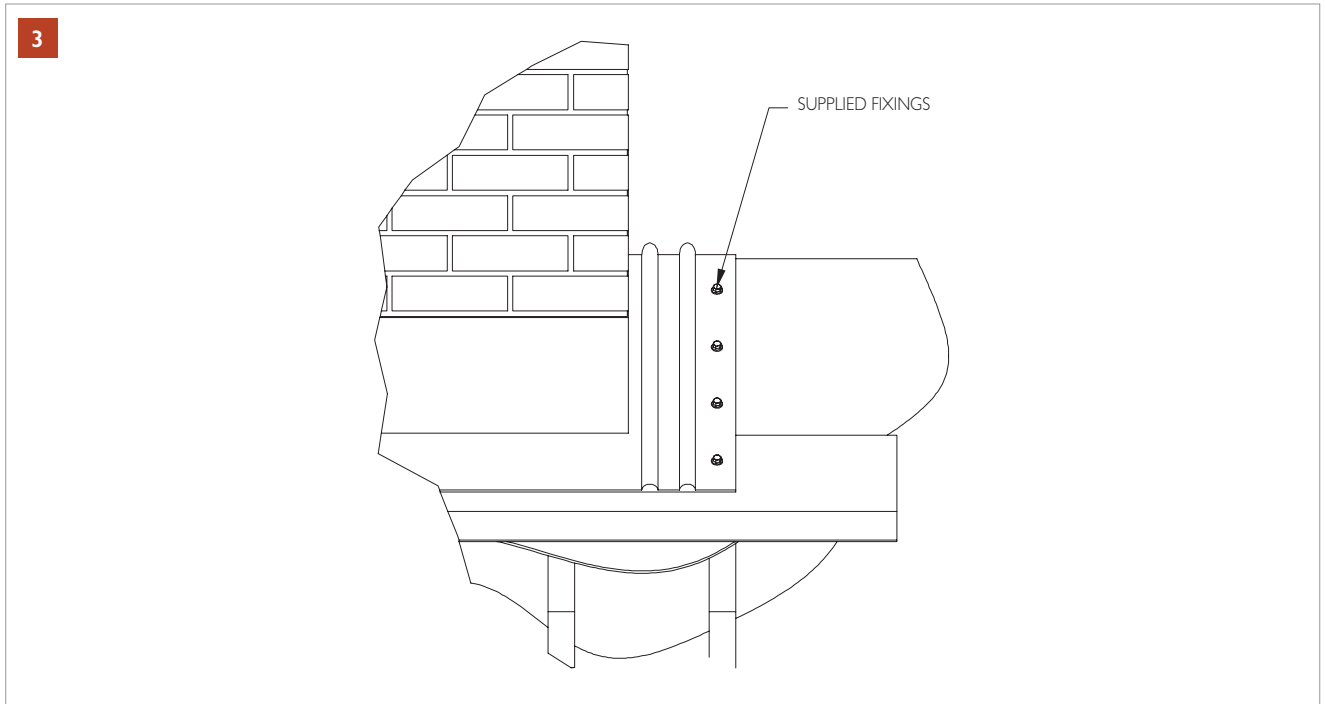
BRICK-EFFECT FASTSTACK® Mid Ridge Chimney



Lift chimney in to position on to the felted roof using a lifting strop. **DO NOT** use the capping as this may cause damage. Ensure three layers of roofing felt are installed directly under the chimney.

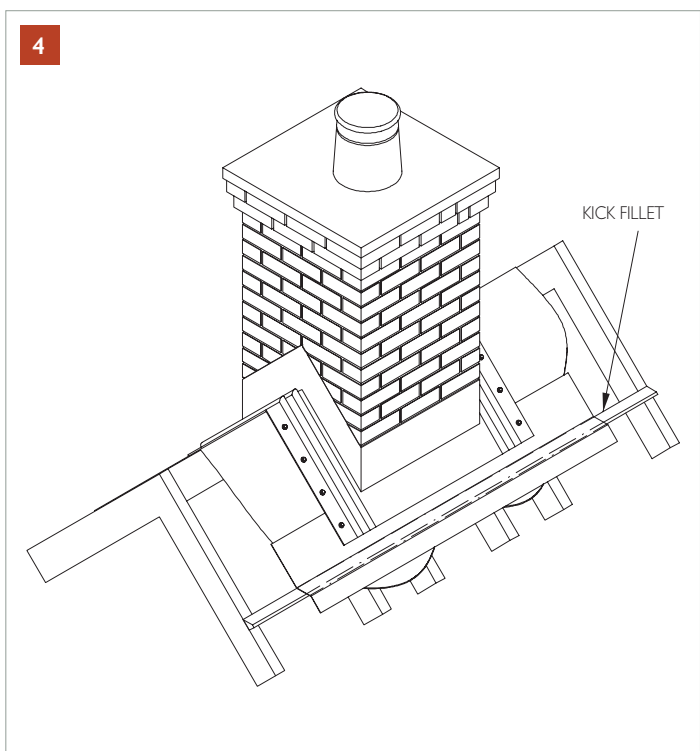


Prepare the lead aprons (if not included) and slide under the fixing base plate front and rear with a minimum 100mm overlap.

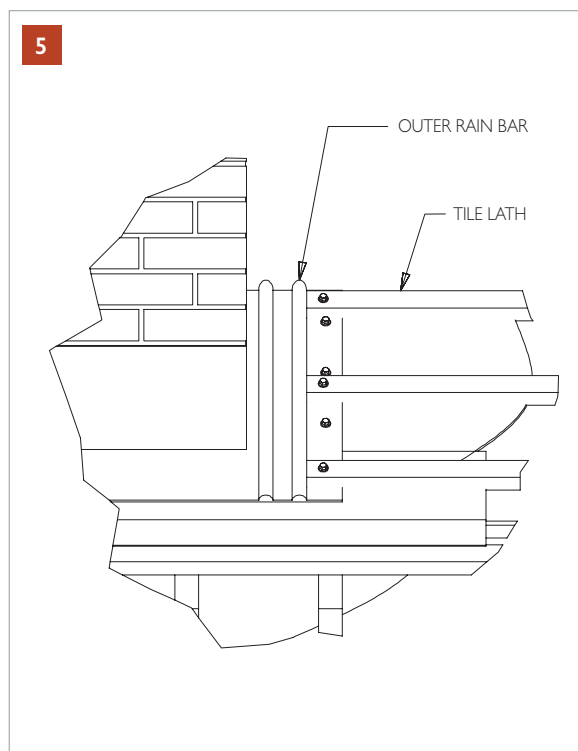


Screw the supplied fixings through the outer edges of the skirt in to trusses as shown. The lower fixings will also secure the leadwork in to position. All fixings supplied must be used. **DO NOT** use the front and rear of the skirt.

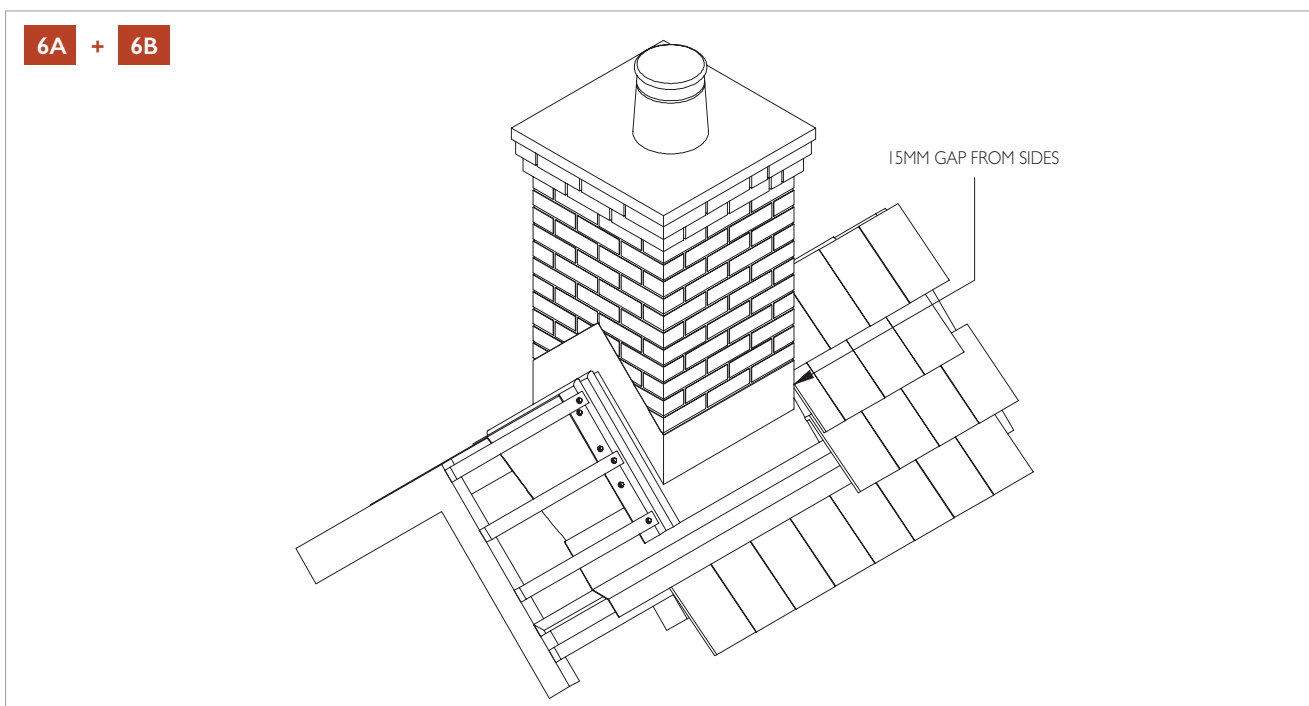
SATELLITE DISHES AND TELEVISION AERIALS MUST NOT BE FIXED TO THE FASTSTACK CHIMNEY



Lift the apron and secure a timber fillet to the trusses below the lower edge of the front and rear skirts to provide a kick for the lead aprons.



Batten the roof and run the batten/lath up to the outer rain bar. The batten should not be nailed through the skirt but screwed with stainless steel, self tapping screws.



6A When the roof is fully battened and ready for tiling, run the tiles in to the side of the chimney leaving a 15mm gap between the tile and the chimney core to allow rain flow.

6B Flash the chimney at the front and rear using the lead aprons in accordance with BS6915 codes of practice.

SATELLITE DISHES AND TELEVISION AERIALS MUST NOT BE FIXED TO THE FASTSTACK CHIMNEY

IBSTOCK | KEVINGTON

Building Components



Ibstock Kevington
Building Components & Special Shapes

t: 0844 736 0350

e: ikspecials@ibstock.co.uk

Design & Technical Helpline

t: 0844 800 4576

Sales Support

t: 0844 800 4575

Samples & Literature

t: 0844 800 4578

www.ibstock.com

The product photographs represent as accurately as possible, within the limitations of photography and printing, the colour of a representative sample of this range of products.

Ibstock
Building
Products

A building family of exceptional brands

