

# FB156 FLYBALL MANUAL



The company will not be responsible for any changes in the product, nor can we actively inform consumers of any updates or changes. If there is any change in the material, specification or contents of package, please refer to [LDARC.com](http://LDARC.com)!

This product is suitable for people aged 14 and above.

## **【Parameter configuration】**

Wheelbase: 87.5mm

Outer diameter: 156mm

Motor: MISS 1203-6500KV

Propeller: GF2020-4blades

Receiver: NO RX/RX2A/AC900 (optional)

FPV version weight: 91g (without battery)

Racer version weight: 79.7g (without battery)

FC+ESC: MR26-AIO-F411E25A

VTX+Camera: TINY ROCKET VTX+Nano2 (only included in FPV version)

Battery: 11.1V 600mAh (only included in RTF version)

## **【Remarks】**

1. Racer version is for visual flight
2. FPV version includes VTX and camera
3. RTF version has added transmitter, battery, and handbag on basis of racer version
4. RX2A adopts AFHDS 2A protocol transmitter (FLYSKY FS-I6, X6, etc.)
5. AC900 supports FUTABA S-FHSS and FRISKY D16

**Note: The overall PNP configuration only supports 3S battery voltage, and it is strictly forbidden to use higher voltage.**

## 【Packing List】

1. Racer version: PNP\*1
2. FPV version: PNP\*1 (added VTX and camera)
3. RTF version: PNP\*1+X6\*1+battery\*1+RX2A receiver\*1+handbag\*1



【Racer version】



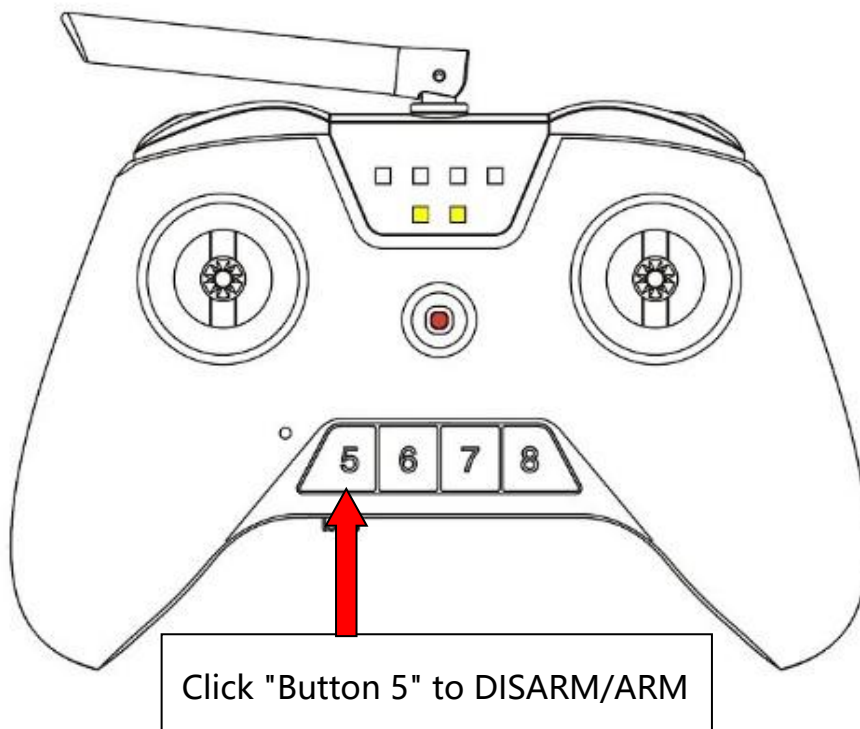
【FPV version】



【RTF version】

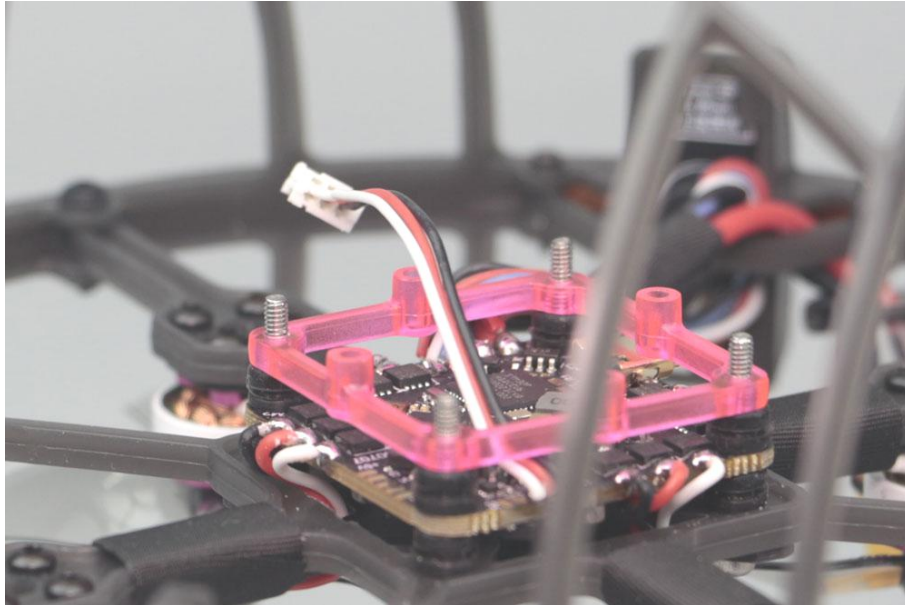
## 【Transmitter】

The green LED light always on indicates DISARM, and the red LED light always on indicates ARM.



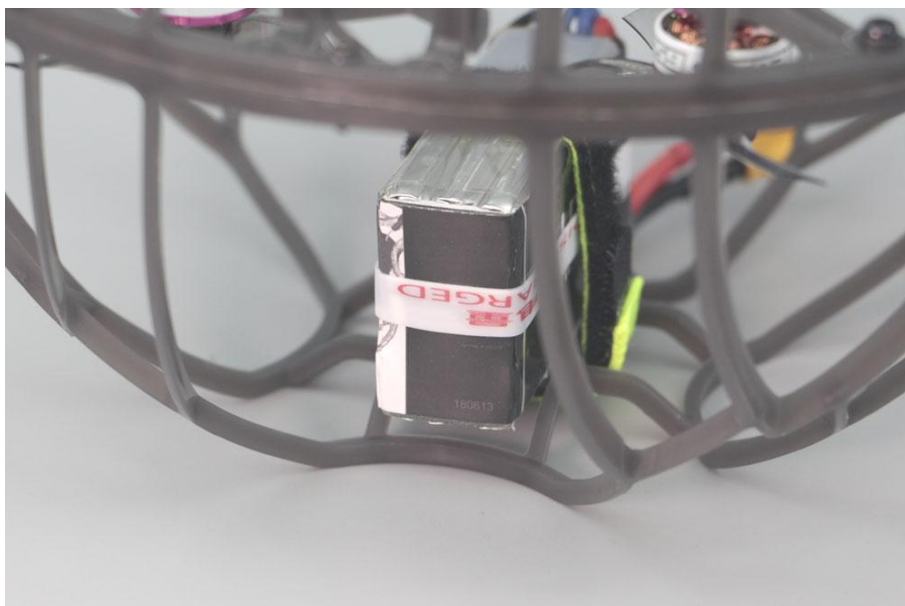
## **【Receiver wire definition】**

White is S.BUS signal line, red is 5V, black is GND



## **【Battery description】**

Please fix the balance head with rubber band first, and then put the battery upright.

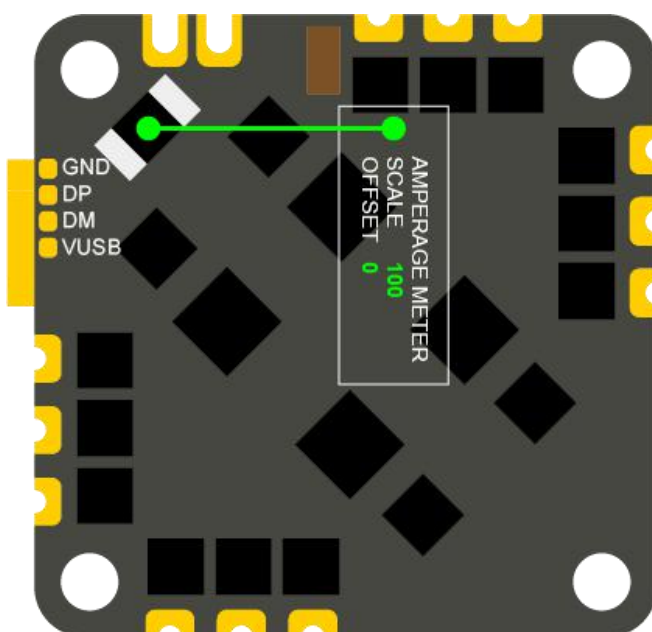
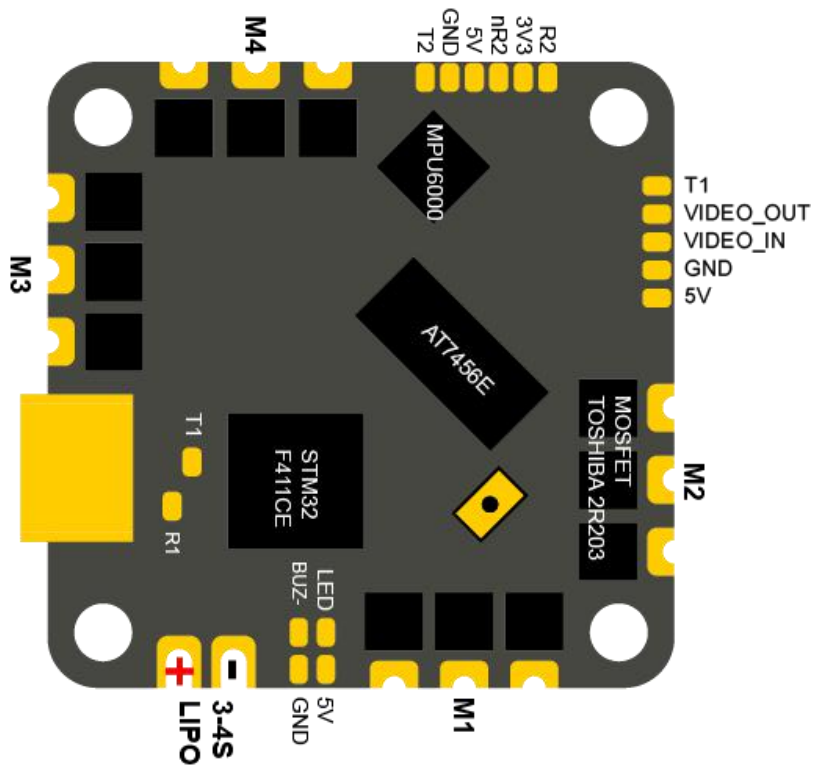


## 【FC】

FC target: LDARCF411

ESC target: g\_H\_30

Ammeter: 100/0

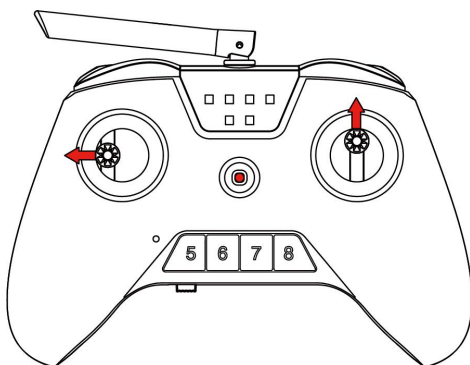


## 【BETAFLIGHT setting】



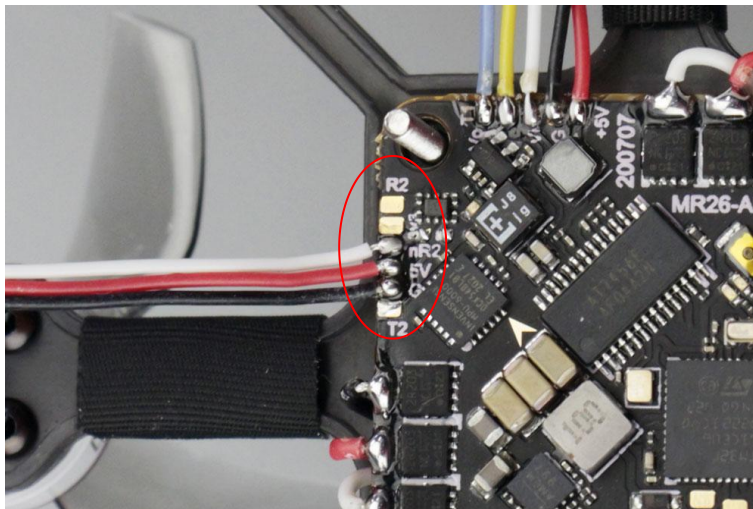
## 【OSD Setting Interface】

Center the throttle stick and push to the left, meanwhile pull up the pitch stick to enter the OSD setting interface; push the pitch stick up or down to select menu, and center the roll stick is to enter the submenu.



## 【Receiver】

1. Wires to S.BUS receiver is soldered by default: white is the S.BUS signal wire, red is 5V, and black is GND.
2. For other types of receivers, please refer to the instructions to properly solder their connecting wires.



**S.BUS RX**

S.BUS — nR2

VCC — 5V

GND — GND

AC2000/AC900/XM+/RX2A

Identifier	Configuration/MSP	Serial RX	Telemetry Output	Sensor Input	Peripherals
USB VCP	<input checked="" type="checkbox"/> 115200	<input type="checkbox"/>	Disabled ▾ AUTO ▾	Disabled ▾ AUTO ▾	Disabled ▾ AUTO ▾
UART1	<input type="checkbox"/> 115200	<input type="checkbox"/>	Disabled ▾ AUTO ▾	Disabled ▾ AUTO ▾	Disabled ▾ AUTO ▾
UART2	<input type="checkbox"/> 115200	<input checked="" type="checkbox"/>	Disabled ▾ AUTO ▾	Disabled ▾ AUTO ▾	Disabled ▾ AUTO ▾

Receiver

Serial-based receiver(SPEKSAT) ▾ Receiver Mode

Note : Remember to configure a serial Port(via Ports tab) and choose a Serial Receiver Provider when using RX\_SERIAL feature

SBUS ▾ Serial Receiver Provider

**SPEKTRUM Satellite**

SIGNAL — R2

VCC — 3V3

GND — GND

Identifier	Configuration/MSP	Serial RX	Telemetry Output	Sensor Input	Peripherals
USB VCP	<input checked="" type="checkbox"/> 115200	<input type="checkbox"/>	Disabled ▾ AUTO ▾	Disabled ▾ AUTO ▾	Disabled ▾ AUTO ▾
UART1	<input type="checkbox"/> 115200	<input type="checkbox"/>	Disabled ▾ AUTO ▾	Disabled ▾ AUTO ▾	Disabled ▾ AUTO ▾
UART2	<input type="checkbox"/> 115200	<input checked="" type="checkbox"/>	Disabled ▾ AUTO ▾	Disabled ▾ AUTO ▾	Disabled ▾ AUTO ▾

Receiver

Serial-based receiver(SPEKSAT) ▾ Receiver Mode

Note : Remember to configure a serial Port(via Ports tab) and choose a Serial Receiver Provider when using RX\_SERIAL feature

SPEKTRUM1024 ▾ Serial Receiver Provider

SPEKTRUM1024

SPEKTRUM2048



**Crossfire RX**

TBS Nano

CH2 → T2  
 CH1 → R2  
 5V → 5V  
 GND → GND

Identifier	Configuration/MSP	Serial RX	Telemetry Output	Sensor Input	Peripherals
USB VCP	<input checked="" type="checkbox"/> 115200	<input type="checkbox"/>	Disabled ▾ AUTO ▾	Disabled ▾ AUTO ▾	Disabled ▾ AUTO ▾
UART1	<input type="checkbox"/> 115200	<input type="checkbox"/>	Disabled ▾ AUTO ▾	Disabled ▾ AUTO ▾	Disabled ▾ AUTO ▾
UART2	<input type="checkbox"/> 115200	<input checked="" type="checkbox"/>	Disabled ▾ AUTO ▾	Disabled ▾ AUTO ▾	Disabled ▾ AUTO ▾

Receiver

Serial-based receiver(SPEKSAT) Receiver Mode

Note: Remember to configure a serial Port(via Ports tab) and choose a Serial Receiver Provider when using RX\_SERIAL feature

CRSF Serial Receiver Provider

## 【TINY ROCKET VTX】

Identifier	Configuration/MSP	Serial RX	Telemetry Output	Sensor Input	Peripherals
USB VCP	<input checked="" type="checkbox"/> 115200	<input type="checkbox"/>	Disabled ▾ AUTO ▾	Disabled ▾ AUTO ▾	Disabled ▾ AUTO ▾
UART1	<input type="checkbox"/> 115200	<input type="checkbox"/>	Disabled ▾ AUTO ▾	Disabled ▾ AUTO ▾	TBS Smartv ▾ AUTO ▾
UART2	<input type="checkbox"/> 115200	<input checked="" type="checkbox"/>	Disabled ▾ AUTO ▾	Disabled ▾ AUTO ▾	Disabled ▾ AUTO ▾

CAMERA

VIDEO-OUT  
 VIDEO-IN  
 TBS SmartAudio  
 T1  
 GND  
 5V

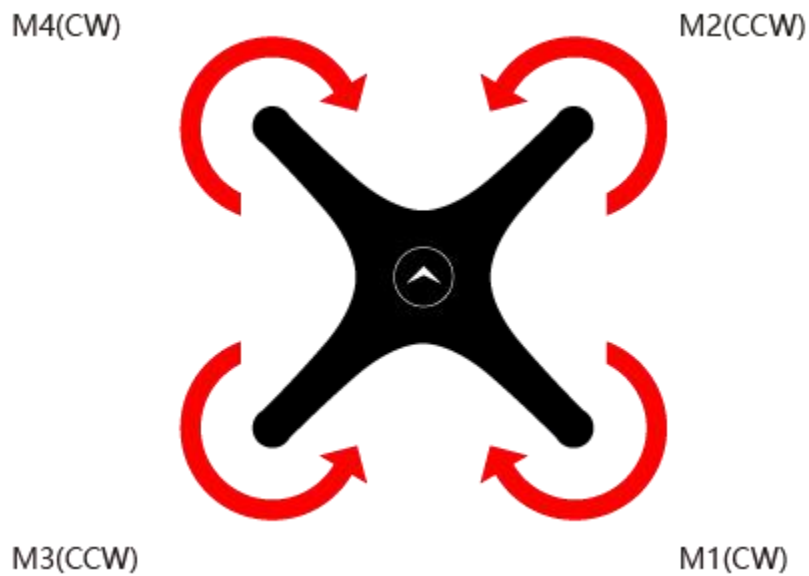
For the VTX manual and the VTX list file needed for FC, please click or scan the code to access:

<http://note.youdao.com/groupshare/?token=27F0934E04124951BF7AE67978046E5A&gid=119274086>

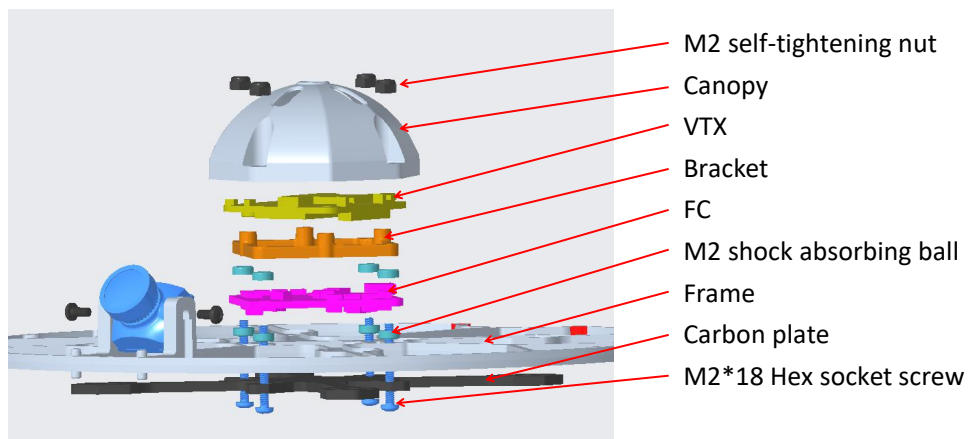


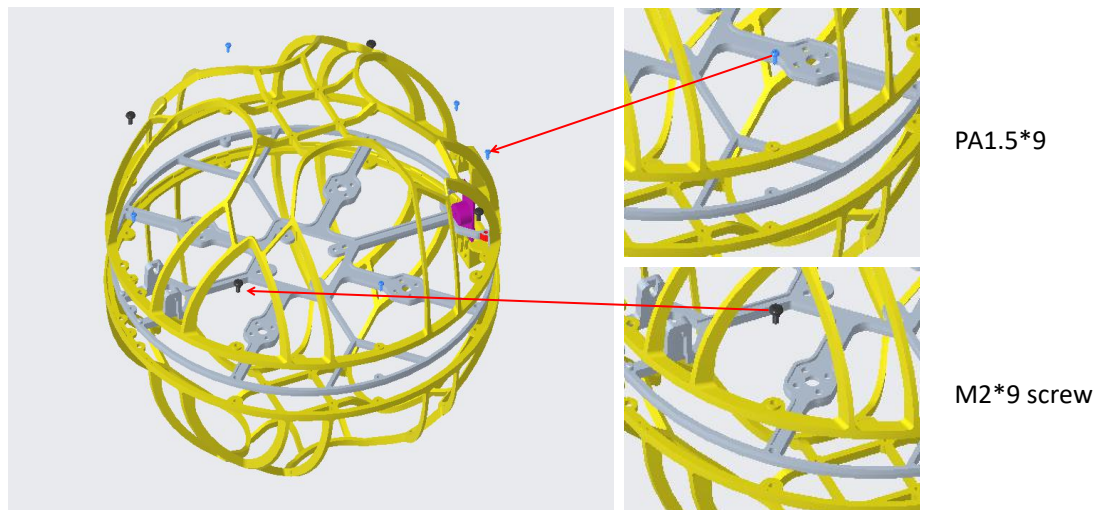
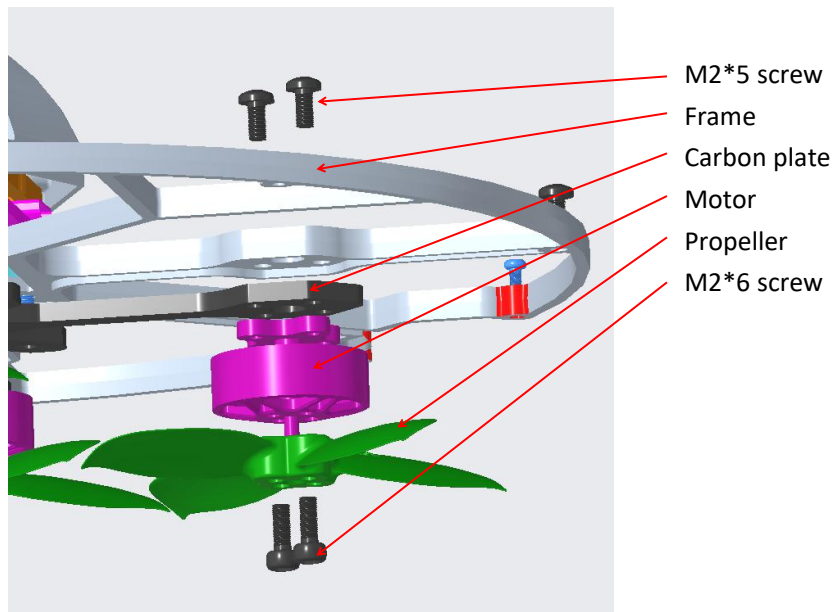
### 【Motor direction】

Pay attention to the direction of rotation of the motor and install the propellers correctly



### 【Installation diagram】





### 【Product and Factory Code】

Name	Code
FB156 PNP Red Team	L01 0015
FB156 PNP Blue Team	L01 0016
FB156 RTF Red Team	L01 0018
FB156 RTF Blue Team	L01 0019
FB156 KIT	L02 0005

FB156 Red LED	L05 0008
FB156 Blue LED	L05 0009
GF2020-4baldes	L08 0003
Handbag R11	L05 0010
Nano2 Camera	CAM.Nano2
11.1V 600mAh Battery	BAT.11.1V 600MAH 50C
MISS 1203-6500KV	04 0006
MR26-AIO-F411E25A	03 0001
TINY ROCKET VTX	03 0002

### **【After-sales service】**

1. When customer receives the goods and finds the product not working properly, please return for inspection. If we find it is product quality issue, repair services will be provided free of charge
2. For product damage caused by improper operation, a paid repair service will be provided if confirmed repairable
3. Domestic customers please contact the after-sales service team, overseas customers please contact the dealer
4. PNP/RTF version factory inspection report

### **Flight Test Check List**

The transmitter functions normally

Test flight in good condition

Camera definition is good

VTX quality is good

**Packing report**

PNP

RTF

Airframe

Transmitter

Airframe matches the transmitter ID

Airframe parts are fully installed

Heat shrinkable tube encapsulated in place

User Manual

Complete accessories package, total \_\_\_\_\_package

Packer: \_\_\_\_\_