

FCF1100 Series (Mounting Knuckle to J-Box JB) - INSTALLATION INSTRUCTIONS

CAUTION: BEFORE CONNECTING THE FIXTURE TO A POWER SUPPLY, MAKE SURE THE POWER IS SWITCHED OFF.

Includes: FCF1103 only.

DETAILED ILLUSTRATION



FC
LIGHTING

corporate
t 800.900.1730
f 630.889.8106
3609 Swenson Ave.
St. Charles, IL 60174

GENERAL:

1. Before starting the installation, make sure all electricity has been turned off and electrical breaker has been locked out and tagged out.
2. To ensure the success of the installation, be sure to read these instructions and review the diagrams thoroughly before beginning.
3. All electrical connections must be in accordance with local codes, ordinances, or the National Electrical Code.

NOTE: The important safeguards and instructions appearing in this manual are not meant to cover all possible conditions and situations that may occur.

INSTALLATION INSTRUCTIONS:

NOTE: LED lamping is integral and NOT intended for general servicing.

- 1) Thread the fixture into the j-box cover.

Seal using Teflon tape or RTV sealant

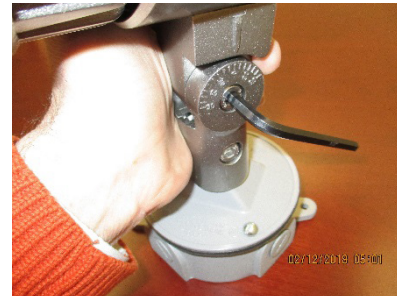


- 2) Lock fixture into swivel position using lock nut provided.
- 3) Connect wires to incoming power.
Black = Line, White = neutral, Green = ground,
0-10V Dimming option: Red = + dimming, Blue = - dimming

- 4) Reattach j-box cover, gasket and fixture to the j-box.



- 5) Apply power to fixture and test for proper operation.
- 6) Adjust fixture angle for light direction. Tighten 7/32 hex screws on adjustable knuckle to lock angle position.



Note: These instructions do not cover all details or variations in equipment nor do they provide for every possible situation during installation.

FCF1100 Series (Yoke Y to Surface, Whip to J-Box) - INSTALLATION INSTRUCTIONS

CAUTION: BEFORE CONNECTING THE FIXTURE TO A POWER SUPPLY, MAKE SURE THE POWER IS SWITCHED OFF.

Includes: FCF1105, FCF1106 and FCF1109 only.

DETAILED ILLUSTRATION



FC
LIGHTING

corporate
t 800.900.1730
f 630.889.8106
3609 Swenson Ave.
St. Charles, IL 60174

GENERAL:

1. Before starting the installation, make sure all electricity has been turned off and electrical breaker has been locked out and tagged out.
2. To ensure the success of the installation, be sure to read these instructions and review the diagrams thoroughly before beginning.
3. All electrical connections must be in accordance with local codes, ordinances, or the National Electrical Code.

NOTE: The important safeguards and instructions appearing in this manual are not meant to cover all possible conditions and situations that may occur.

INSTALLATION INSTRUCTIONS:

NOTE: LED lighting is integral and NOT intended for general servicing.

- 1) Determine location and orientation of fixture on mounting surface. Fixture must be within 12" of j-box. NOTICE: Fixture can only be adjusted on one axis after mounting.
- 2) Mark two outer mounting holes thru the yoke.



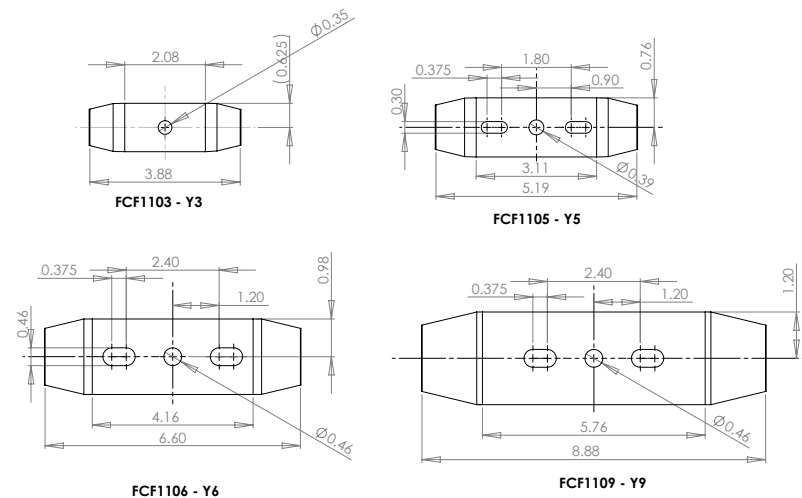
Note: These instructions do not cover all details or variations in equipment nor do they provide for every possible situation during installation.

- 3) Drill and insert appropriate anchors for surface material and fixture weight. ¼" x 20 bolts recommended. (provided by others) Using bolts and washers, attach fixture firmly to the mounting surface.

- 4) Feed cord thru cord grip and J-box cover (by others)



- 5) Connect wires to incoming power. Black = Line, White = neutral, Green = ground, 0-10V Dimming option: Red = + dimming, Blue = - dimming
- 6) Reattach j-box cover and gasket to the j-box.



FCF1103 Series (Ground Stake GS) - INSTALLATION INSTRUCTIONS

CAUTION: BEFORE CONNECTING THE FIXTURE TO A POWER SUPPLY, MAKE SURE THE POWER IS SWITCHED OFF.

Includes: FCF1103 only

DETAILED ILLUSTRATION

GENERAL:

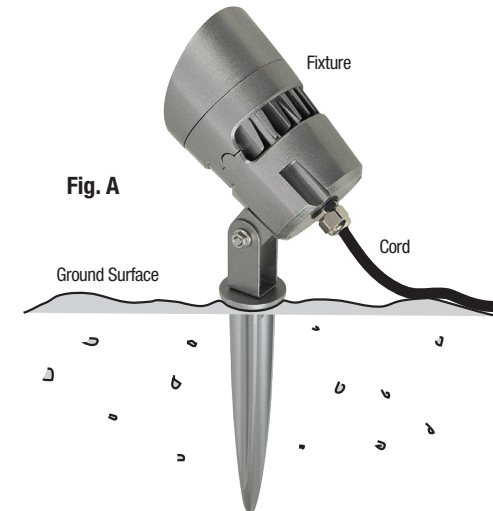
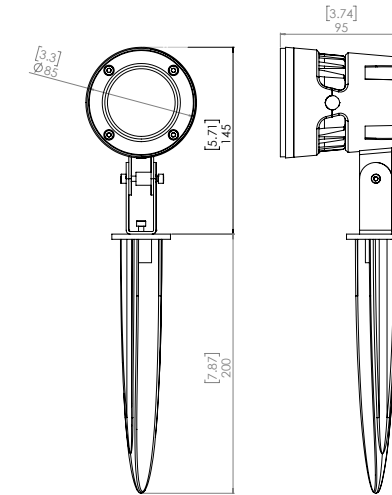
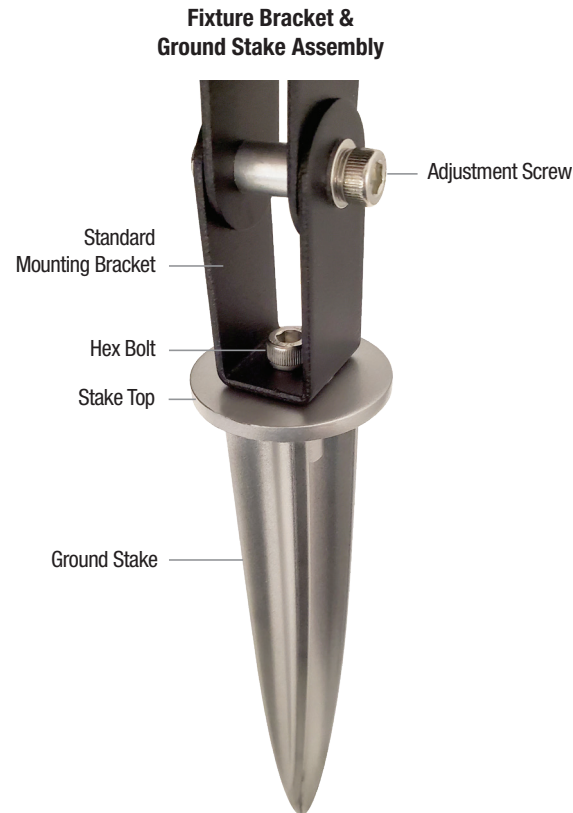
1. Before starting the installation, make sure all electricity has been turned off and electrical breaker has been locked out and tagged out.
2. To ensure the success of the installation, be sure to read these instructions and review the diagrams thoroughly before beginning.
3. All electrical connections must be in accordance with local codes, ordinances, or the National Electrical Code.

NOTE: The important safeguards and instructions appearing in this manual are not meant to cover all possible conditions and situations that may occur.

INSTALLATION INSTRUCTIONS:

NOTE: LED lamping is integral and NOT intended for general servicing.

- 1) The Standard Mounting Bracket that comes with the FCF1103 can be used to attach the fixture to the Ground Stake using the supplied Hex Bolt.
- 2) Once the fixture is attached to the Ground Stake, make sure the Adjustment Screw is tight before attempting to push the Stake into the ground.
- 3) Pinpoint the position on the ground to install the fixture. Grasp the fixture with one hand around the Mounting Bracket and one hand firmly on top of the fixture. Press the Stake into the ground until the Stake Top is flush with the ground surface. **Fig. A**
- 4) Complete wiring connections to add power to the fixture, following NEC and local codes.
- 5) Test fixtures to make sure they're properly powered.
- 6) Loosen the Adjustment Screw to tilt the fixture and aim the light to the desired height. Loosen the Hex Bolt to pivot the fixture and change the light direction.
- 7) If you need to remove a fixture to relocate it, first loosen the ground around the Stake, gently remove the fixture and stake, then repeat step 3 above to reinstall the fixture.



FC
LIGHTING

corporate
t 800.900.1730
f 630.889.8106
3609 Swenson Ave.
St. Charles, IL 60174

FCF1103 Series (Heavy Duty Ground Stake HGS) - INSTALLATION INSTRUCTIONS

CAUTION: BEFORE CONNECTING THE FIXTURE TO A POWER SUPPLY, MAKE SURE THE POWER IS SWITCHED OFF.

Includes: FCF1103 only.

DETAILED ILLUSTRATION



FC
LIGHTING

corporate
t 800.900.1730
f 630.889.8106
3609 Swenson Ave.
St. Charles, IL 60174

GENERAL:

1. Before starting the installation, make sure all electricity has been turned off and electrical breaker has been locked out and tagged out.
2. To ensure the success of the installation, be sure to read these instructions and review the diagrams thoroughly before beginning.
3. All electrical connections must be in accordance with local codes, ordinances, or the National Electrical Code.
4. This product must be installed in accordance with national and local electrical and construction codes by a person familiar with the construction and operation of the product and the hazards involved. Failure to comply with the following instructions may result in injury or death.

NOTE: The important safeguards and instructions appearing in this document are not meant to cover all possible conditions, equipment and situations that may occur.

WARNING:

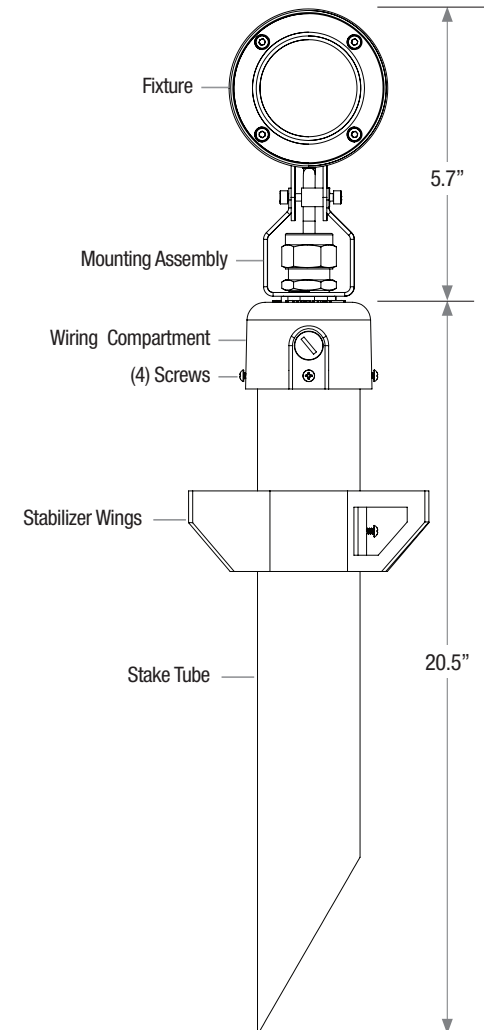
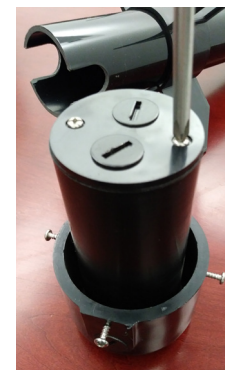
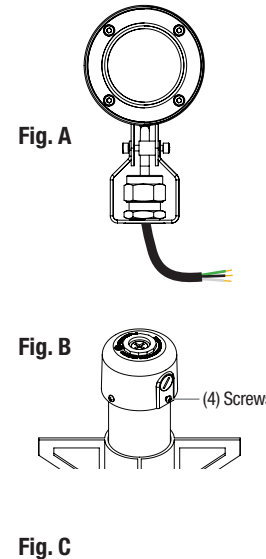
- Disconnect power to avoid electrical shock.
- Do not exceed fixture specified voltage.
- Do not use if any parts are damaged.
- Unauthorized field repair will void warranty.
- Retain all gaskets and hardware for reuse.

NOTE: LEDs are integral and NOT intended for general servicing.

INSTALLATION INSTRUCTIONS:

- 1) The FCF1103 Flood Light comes with the Mounting Bracket Wire Grip preassembled with a wire whip passing directly through the bottom of the assembly. **Fig. A**
- 2) Remove Wiring Compartment from top of stake assembly by loosening the four screws, then remove the threaded plug from the top hole. **Fig. B**
- 3) Remove bottom wiring compartment cover, two screws. **Fig. C**
- 4) Determine if conduit will feed from below up through the Stake Tube or from the side holes, then into the Wiring Compartment.
- 5) If using conduit, attach ½" water-tight conduit connector (supplied by others) to bottom wiring cover or side of wiring compartment. If using cord, attach with water tight cord grip.
- 6) Press the Stake Tube into the ground until the top edge of the Stabilizer Wings are flush with the surface of the ground.
- 7) The Stake Tube can be inserted 17.9" Max below grade. However, the rule of thumb is 2/3 below the surface and 1/3 above to keep the Stake securely in the ground.

NOTE: Alternatively if you're out the side of the Wiring Compartment, you can set the Stake in the ground and then complete the wiring, steps 2-5.



FCF1100 Series (Heavy Duty Ground Stake HGS) - INSTALLATION INSTRUCTIONS

CAUTION: BEFORE CONNECTING THE FIXTURE TO A POWER SUPPLY, MAKE SURE THE POWER IS SWITCHED OFF.

Includes: FCF1105, FCF1106 and FCF1109 only.

DETAILED ILLUSTRATION



FC
LIGHTING

corporate
t 800.900.1730
f 630.889.8106
3609 Swenson Ave.
St. Charles, IL 60174

GENERAL:

1. Before starting the installation, make sure all electricity has been turned off and electrical breaker has been locked out and tagged out.
2. To ensure the success of the installation, be sure to read these instructions and review the diagrams thoroughly before beginning.
3. All electrical connections must be in accordance with local codes, ordinances, or the National Electrical Code.
4. This product must be installed in accordance with national and local electrical and construction codes by a person familiar with the construction and operation of the product and the hazards involved. Failure to comply with the following instructions may result in injury or death.

NOTE: The important safeguards and instructions appearing in this document are not meant to cover all possible conditions, equipment and situations that may occur.

WARNING:

- Disconnect power before installing or servicing to avoid electrical shock.
- Do not exceed fixture specified voltage.
- Do not use if fixture, parts or connectors are damaged.
- Unauthorized field repair will void warranty.
- Retain all gaskets and hardware for reuse.

NOTE: LED lamping is integral and NOT intended for general servicing.

Note: These instructions do not cover all details or variations in equipment nor do they provide for every possible situation during installation.

INSTALLATION INSTRUCTIONS:

- 1) Unscrew side screw on knuckle and remove cover. Remove threaded insert.
- 2) Remove wiring compartment from top of stake assembly by loosening four screws.
- 3) Remove threaded plug from top hole.
- 4) Remove bottom round wiring cover, two screws.



- 8) Feed wires from fixture through the top hole of the wiring compartment and thread fixture in place. Seal threads with silicone, water-proof liquid thread lock, or Teflon tape.



- 5) Determine if conduit will feed from beneath stake or from side holes.
- 6) Feed water-tight conduit or burial cord through stake tube if feeding from bottom.
- 7) If using conduit, attach ½" water-tight conduit connector (supplied by others) to round wiring cover or side of wiring compartment. If using cord, attach with water tight cord grip.



- 9) Make wiring connections. Black = Hot, White = Neutral, Green = Ground (use water-proof wire connectors supplied by others) and manage wires and connections into wiring compartment.

- 10) Replace cover with gasket and two screws. Tighten screws even and snug. Overtightening may strip screw threads.

- 11) Dig a hole where stake will be installed. Side feed - 10" dia. x 8" deep. Bottom feed, 10" dia. x 24"

- 12) Test fixture to make sure fixture is working properly. Turn off while burying stake.

- 13) Drive or bury stake in ground. Top of stake should be 4" above ground.

- 14) Aim fixture in desired direction. Tighten knuckle adjustment screw when properly aimed.

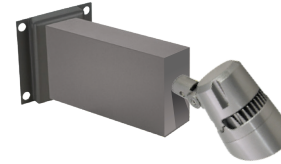


FCF1100 Series (Cantilever Arm CAX) - INSTALLATION INSTRUCTIONS

CAUTION: BEFORE CONNECTING THE FIXTURE TO A POWER SUPPLY, MAKE SURE THE POWER IS SWITCHED OFF.

Includes: FCF1105, FCF1106 and FCF1109 only.

DETAILED ILLUSTRATION



FC
LIGHTING

corporate
t 800.900.1730
f 630.889.8106
3609 Swenson Ave.
St. Charles, IL 60174

GENERAL:

1. Before starting the installation, make sure all electricity has been turned off and electrical breaker has been locked out and tagged out.
2. To ensure the success of the installation, be sure to read these instructions and review the diagrams thoroughly before beginning.
3. All electrical connections must be in accordance with local codes, ordinances, or the National Electrical Code.
4. This product must be installed in accordance with national and local electrical and construction codes by a person familiar with the construction and operation of the product and the hazards involved. Failure to comply with the following instructions may result in injury or death.

NOTE: The important safeguards and instructions appearing in this document are not meant to cover all possible conditions, equipment and situations that may occur.

WARNING:

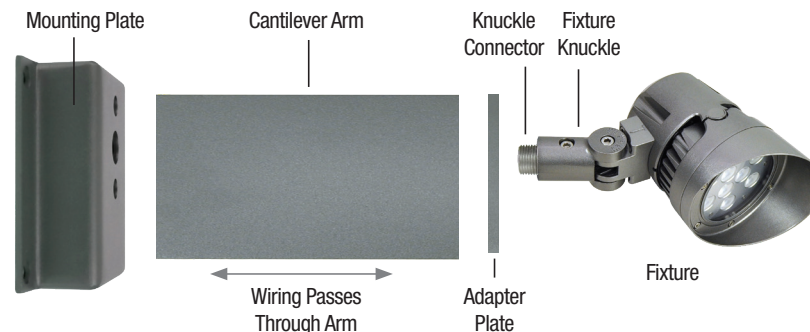
- Disconnect power before installing or servicing to avoid electrical shock.
- Do not exceed fixture specified voltage.
- Do not use if fixture, parts or connectors are damaged.
- Unauthorized field repair will void warranty.
- Retain all gaskets and hardware for reuse.

NOTE: LED lamping is integral and NOT intended for general servicing.

Note: These instructions do not cover all details or variations in equipment nor do they provide for every possible situation during installation.

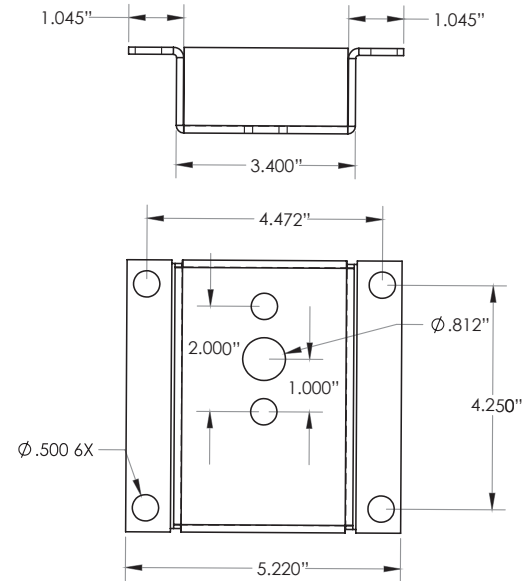
INSTALLATION INSTRUCTIONS:

- 1) Remove Knuckle Connector from Fixture and screw the Connector into the threaded Adapter Plate.
- 2) Run Fixture wiring thru Connector and Adapter Plate and reattach Connector to Fixture Knuckle.
- 3) Thread wiring through the Arm and attach Adapter Plate with Fixture assembly to Cantilever Arm using supplied long bolts.
- 4) Run wiring into the Mounting Plate and attach the Cantilever Arm to the Mounting Plate with nuts on the end of long bolts.
- 5) Make water proof connections with wires ensuring to follow all NEC and local code requirements.
- 6) Attach Mounting Plate to surface. Outer hole pattern shown to the right must be drilled into surface.
- 7) Apply power to fixture and test for proper operation.
- 8) Adjust angle of fixture for best illumination. Tighten hex screw on adjustable knuckle to lock in position.



See other pages for accessory and mounting directions.

Cantilever Arm is for mounting to flat surfaces.

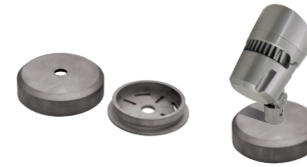


FCF1100 Series (Architectural Surface AS Mount) - INSTALLATION INSTRUCTIONS

CAUTION: BEFORE CONNECTING THE FIXTURE TO A POWER SUPPLY, MAKE SURE THE POWER IS SWITCHED OFF.

Includes: FCF1105, FCF1106 and FCF1109 only.

DETAILED ILLUSTRATION



FC
LIGHTING

corporate
t 800.900.1730
f 630.889.8106
3609 Swenson Ave.
St. Charles, IL 60174

GENERAL:

1. Before starting the installation, make sure all electricity has been turned off and electrical breaker has been locked out and tagged out.
2. To ensure the success of the installation, be sure to read these instructions and review the diagrams thoroughly before beginning.
3. All electrical connections must be in accordance with local codes, ordinances, or the National Electrical Code.
4. This product must be installed in accordance with national and local electrical and construction codes by a person familiar with the construction and operation of the product and the hazards involved. Failure to comply with the following instructions may result in injury or death.

NOTE: The important safeguards and instructions appearing in this document are not meant to cover all possible conditions, equipment and situations that may occur.

WARNING:

- Disconnect power before installing or servicing to avoid electrical shock.
- Do not exceed fixture specified voltage.
- Do not use if fixture, parts or connectors are damaged.
- Unauthorized field repair will void warranty.
- Retain all gaskets and hardware for reuse.

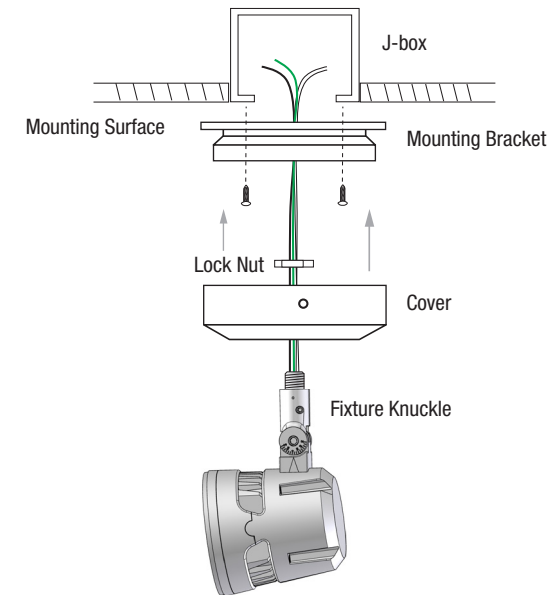
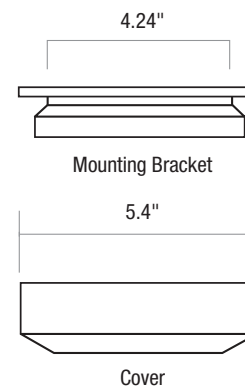
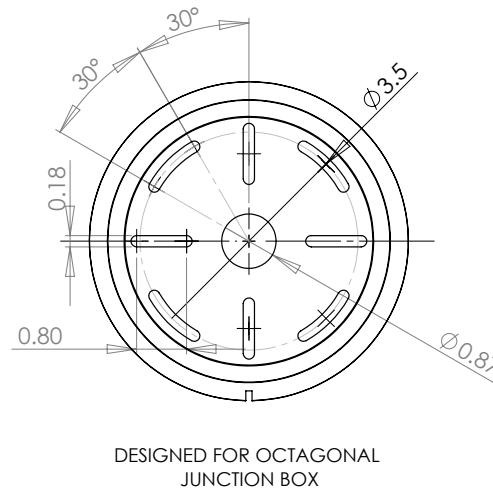
NOTE: LED lamping is integral and NOT intended for general servicing.

Note: These instructions do not cover all details or variations in equipment nor do they provide for every possible situation during installation.

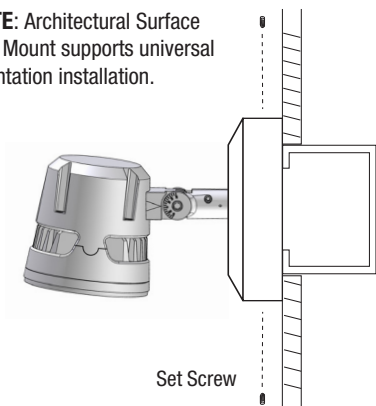
INSTALLATION INSTRUCTIONS:

Remove AS cover from mounting bracket.

- 1) Attach mounting bracket to recessed octagonal j-box.
- 2) Attach the fixture into the AS cover. Seal using Teflon tape or RTV sealant
- 3) Lock fixture into swivel position using lock nut provided.
- 4) Connect wires to incoming power. Black = Line, White = neutral, Green = ground, 0-10V Dimming option: Violet = (+) dimming, Gray = (-) dimming
- 5) Reattach AS cover to mounting bracket with Set Screws.
- 6) Apply power to fixture and test for proper operation.
- 7) Adjust angle of fixture for best illumination. Tighten hex screws on adjustable knuckle to lock in position.



NOTE: Architectural Surface (AS) Mount supports universal orientation installation.



FCF1100 Series (Surface Base SB) - INSTALLATION INSTRUCTIONS

CAUTION: BEFORE CONNECTING THE FIXTURE TO A POWER SUPPLY, MAKE SURE THE POWER IS SWITCHED OFF.

Includes: FCF1105, FCF1106 only.

DETAILED ILLUSTRATION



FC
LIGHTING

corporate
t 800.900.1730
f 630.889.8106
3609 Swenson Ave.
St. Charles, IL 60174

GENERAL:

1. Before starting the installation, make sure all electricity has been turned off and electrical breaker has been locked out and tagged out.
2. To ensure the success of the installation, be sure to read these instructions and review the diagrams thoroughly before beginning.
3. All electrical connections must be in accordance with local codes, ordinances, or the National Electrical Code.
4. This product must be installed in accordance with national and local electrical and construction codes by a person familiar with the construction and operation of the product and the hazards involved. Failure to comply with the following instructions may result in injury or death.

NOTE: The important safeguards and instructions appearing in this document are not meant to cover all possible conditions, equipment and situations that may occur.

WARNING:

- Disconnect power before installing or servicing to avoid electrical shock.
- Do not exceed fixture specified voltage.
- Do not use if fixture, parts or connectors are damaged.
- Unauthorized field repair will void warranty.
- Retain all gaskets and hardware for reuse.

NOTE: LED lamping is integral and NOT intended for general servicing.

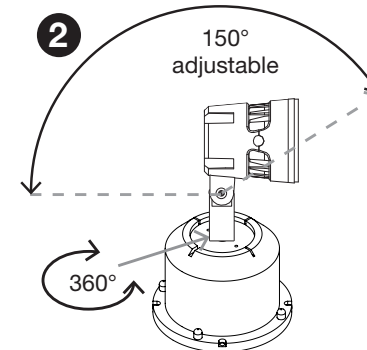
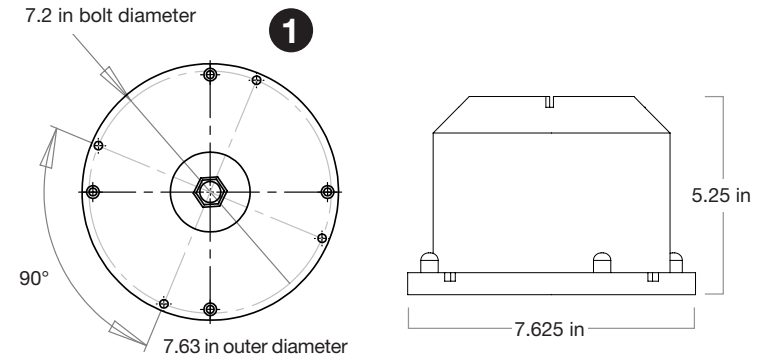
Note: These instructions do not cover all details or variations in equipment nor do they provide for every possible situation during installation.

INSTALLATION INSTRUCTIONS:

Note: The fixture is attached to the Surface Base option.

- 1) Position fixture on mounting surface, feed 4' cord from bottom of SB to j-box area.
- 2) Mark for mounting hole positions, 10-32 fastener with anchors (supplied by others).
- 3) BCD is 7.19" diameter for the bolt pattern, 90 degrees between fasteners. **Fig. 1**
- 4) Feed 4' cord into weather proof j-box using water tight cord grip.
- 5) Make water proof connections with wires ensuring to follow all NEC and local code requirements. Connect wires to incoming power. Black = Line, White = neutral, Green = ground, Purple = 0-10V (+), Gray = 0-10V (-)
- 6) Apply power to fixture and test for proper operation.
- 7) Adjust angle of fixture for best illumination. Tighten hex screw on adjustable knuckle to lock in position. **Fig. 2**

Surface Base Dimensions



Rev. 1120

FCF1100 Series (Tree Mount TM) - INSTALLATION INSTRUCTIONS

CAUTION: BEFORE CONNECTING THE FIXTURE TO A POWER SUPPLY, MAKE SURE THE POWER IS SWITCHED OFF.

Includes: FCF1105, FCF1106

DETAILED ILLUSTRATION

GENERAL:

1. Before starting the installation, make sure all electricity has been turned off and electrical breaker has been locked out and tagged out.
2. To ensure the success of the installation, be sure to read these instructions and review the diagrams thoroughly before beginning.
3. All electrical connections must be in accordance with local codes, ordinances, or the National Electrical Code.
4. This product must be installed in accordance with national and local electrical and construction codes by a person familiar with the construction and operation of the product and the hazards involved. Failure to comply with the following instructions may result in injury or death.

NOTE: The important safeguards and instructions appearing in this document are not meant to cover all possible conditions, equipment and situations that may occur.

WARNING:

- Disconnect power before installing or servicing to avoid electrical shock.
- Do not exceed fixture specified voltage.
- Do not use if fixture, parts or connectors are damaged.
- Unauthorized field repair will void warranty.
- Retain all gaskets and hardware for reuse.

NOTE: LED lamping is integral and NOT intended for general servicing.

Note: These instructions do not cover all details or variations in equipment nor do they provide for every possible situation during installation.

See other pages for accessory and mounting directions.

INSTALLATION INSTRUCTIONS:

- 1) Determine height position on tree and run NEC code approved conduit or other electrical supply type up tree.
- 2) If Cleat & J-box need to be assembled see **Fig 1**.
- 3) Attach electrical supply to J-box assembly using 1/2" NPT opening at either end of J-box.
- 3) Pull Strap tight against tree. Strap and Buckle parts **Fig 2**.
- 4) Make water proof connections in J-box with wires ensuring to follow all NEC and local code requirements. Connect wires to incoming power. Black = Line, White = neutral, Green = ground, Purple = 0-10V(+), Gray = 0-10V(-) **Fig 3**
- 4) Attach fixture to J-box cover and attach cover to J-box. Ensure proper seal to guard against water intake. **Fig 4**
- 6) Apply power to fixture and test for proper operation.
- 7) Adjust angle of fixture for best illumination. Tighten hex screw on adjustable knuckle to lock in position.

Fig 2 Strap and Buckle Parts

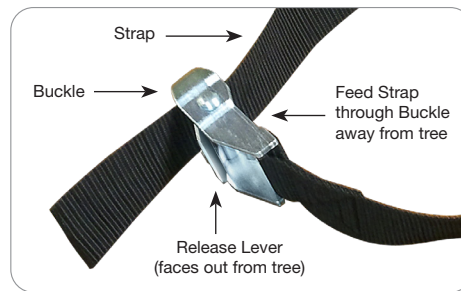
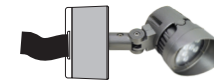


Fig 3 Wire Connections

	Green = Ground (To J-box)
	Black = Line (Hot)
	White = Neutral
	Purple = DIM (+)
	Gray = DIM (-)
} For 0-10V Dimming	



FC
LIGHTING

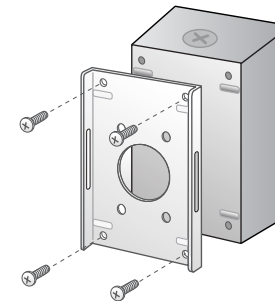
corporate
t 800.900.1730
f 630.889.8106
3609 Swenson Ave.
St. Charles, IL 60174

Tree Mount Cleat and J-box Dimensions

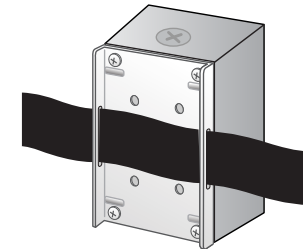
J-box Front = 2-3/4"W x 4-1/2"H
Cleat & J-box Side = 2-1/2"D
J-box Hole = 1/2" NPT



Fig 1. Cleat and J-box Assembly



Attach cleat to J-Box with screws



Thread strap through holes on each side of cleat

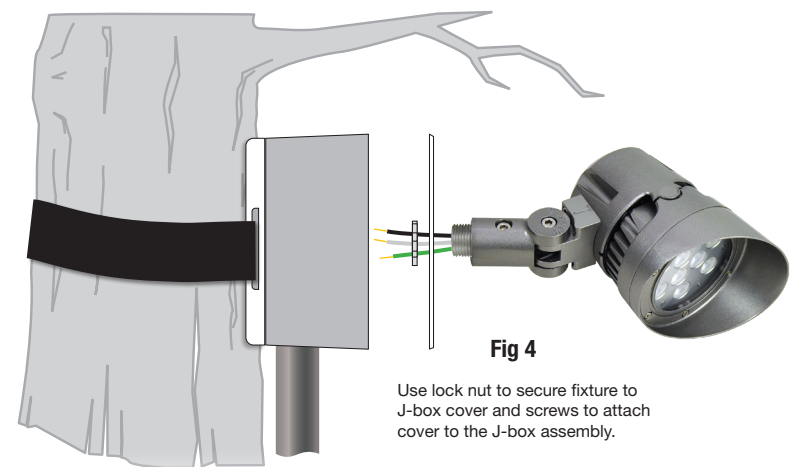


Fig 4

Use lock nut to secure fixture to J-box cover and screws to attach cover to the J-box assembly.