

499AOZ

Dissolved Ozone Sensor

- Rugged construction.
- Easily replaceable membrane; no special tools required.
- Automatic compensation for changes in membrane permeability with temperature.
- Automatic pressure equalization maintains correct membrane tension.
- Variopol connector option allows the sensor to be replaced without running new cable.

Features and Applications

The 499AOZ sensor is intended for the continuous determination of dissolved ozone. The primary application is ozonation basins in municipal water filter plants. Ozone is also used as a disinfectant in bottling and food processing plants.

The 499AOZ is a membrane-covered amperometric sensor. The sensor consists of a gas-permeable membrane stretched tightly over a gold cathode. A silver anode and an electrolyte solution complete the internal circuit. During operation, ozone diffuses from the sample through the membrane. Once inside the sensor, the ozone reacts with the electrolyte solution to form an intermediate compound. A polarizing voltage applied to the cathode completely reduces the intermediate. The reduction produces a current, which the analyzer measures. The current is directly proportional to the rate at which ozone diffuses through the membrane, which is ultimately proportional to the concentration of ozone in the sample. Because the rate of diffusion of ozone through the membrane depends on temperature, sensor response must be corrected for temperature changes. A Pt 100 RTD in the sensor measures the temperature, and the analyzer automatically performs the correction.

Because ozone standards do not exist, the sensor must be calibrated against the results of a laboratory test run on a grab



sample of the process liquid. Ozone solutions are unstable, so the sample must be tested immediately. Portable test kits are available from other manufacturers.

Maintenance is fast and easy. Replacing the membrane requires no special tools or fixtures. Simply place a few drops of electrolyte solution in the membrane assembly, place it over the cathode, and screw the retainer in place. To replenish the electrolyte solution, unscrew the fill plug, add the reagent from a squeeze bottle, and replace the plug.

Pressure changes have little influence on sensor response. A flexible bladder in the sensor prevents distortion of the membrane by keeping the pressure inside the sensor equal to the sample pressure. Several mounting configurations are possible. For most applications the low flow cell is recommended.

The 499AOZ sensor is available with a Variopol (VP) watertight connector. Wire the interconnecting cable to the analyzer and run the cable to the sensor. The sensor plugs into the cable receptacle. To replace the sensor, simply disconnect the Variopol fitting and plug in a new sensor.

Sensor Specifications

- Range:** 0 to 3 ppm (mg/L) as O₃.
- Wetted Parts:** Polysulfone, Viton¹, Teflon², silicone
- Cathode:** gold (not normally wetted)
- Accuracy:** Accuracy depends on the accuracy of the chemical test used to calibrate the sensor.
- Linearity:** ± 5% of reading or ±3 ppb (whichever is greater) at 25°C
- Repeatability:** ±2% of reading at constant temperature
- Response time:** 30 sec to 90 % of final reading at 25 °C
- Pressure:** 0 to 65 psig (0 to 549 kPa abs)
- Temperature (Operating):** 32 to 122 °F (0 to 50 °C)
- Membrane Permeability Correction:**
Defined between 41 and 95 °F (5 and 35 °F)
- Process Connection:** 1 inch MNPT
- Electrolyte Volume:** 25 mL (approx.)
- Electrolyte Life:** 3 months (approx.); for best results, replace electrolyte monthly
- Cable Length (standard integral cable):** 25 ft (7.6 m)
- Cable Length (maximum):** 300 ft (91 m)
- Sample Flow:**

Flow through	1-5 gpm (3.8 to 19 L/min)
Open channel	1 ft/sec (0.3 m/sec)
Low flow cell	2 to 5 gph (7.6 to 19 L/hr)

- Weight/Shipping Weight:** 1 lb/3 lb (0.5 kg/1.5 kg)
Weight and shipping weight are rounded up to the nearest whole pound or 0.5kg.

¹ Viton is a registered trademark of E.I du Pont de Nemours.
² Teflon is a registered trademark of E.I du Pont de Nemours.

Other Specifications

- LOW FLOW CELL PN 24091-00**
- Wetted Parts:** polycarbonate, polyester, 316 stainless steel, silicone
- Process Connection:** ¼-inch OD tubing compression fitting or ¼-inch FNPT
- Maximum Pressure:** 90 psig (722 kPa abs).
- Maximum Temperature:** 158 °F (70°C)
Note: The pressure and temperature specifications for the low flow cell exceed the pressure and temperature specifications for the sensor.

Flow-Through Tee (1½ inch body) PN 23567-00

- Wetted Parts:** CPVC and Buna N; body is schedule 80 CPVC
- Process Connection:** 1-½ inch socket

- Maximum Pressure:** 65 psig (549 kPa abs)
- Maximum Temperature:** 122°F (50°C)

Flow-Through Tee (2 inch body) PN 915240-03/04/05

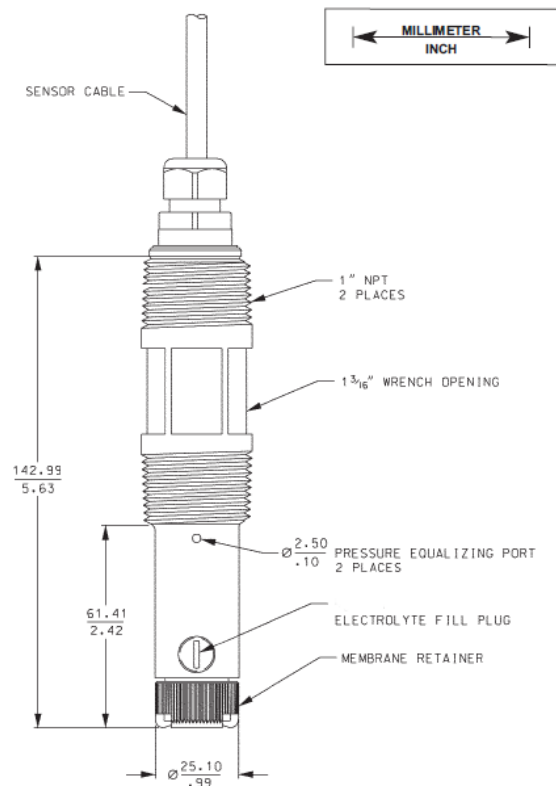
- Wetted Parts:** PVC and Buna N; body is schedule 80 PVC
- Process Connection:** ¾-inch NFPT, 1 inch NFPT, or 1-½ inch NFPT
- Maximum Pressure:** 60 psig (515 kPa abs)
- Maximum Temperature:** 120 °F (49 °C)

Valved Rotameter PN 9390004 for use with Low Flow Cell

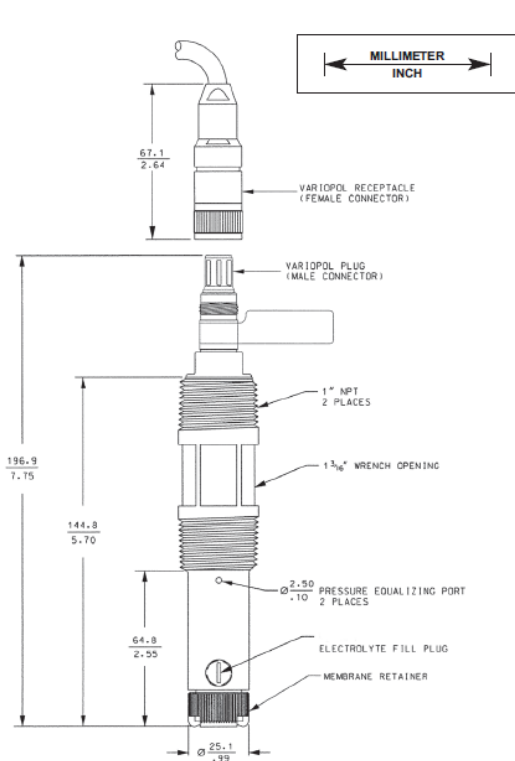
- Flow:** 0.4 to 5 gph (1.5 to 19 L/hr)
- Wetted Parts:** acrylic, 316 stainless steel, Viton
- Process Connection:** ¼ inch NFPT (316 SS)
- Maximum Pressure:** 100 psig (858 kPa abs)
- Maximum Temperature:** 150 °F (65 °C)

Recommended Analyzers

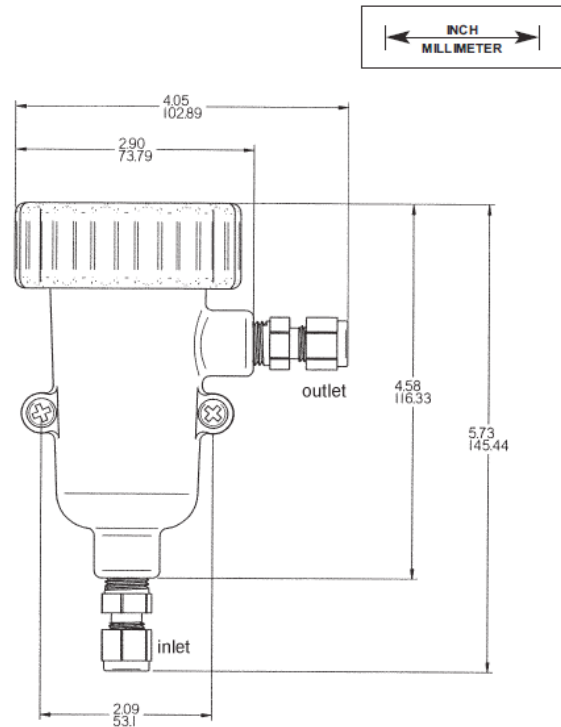
Rosemount Analytical Models 1056, 56, 5081-A, and 1066.



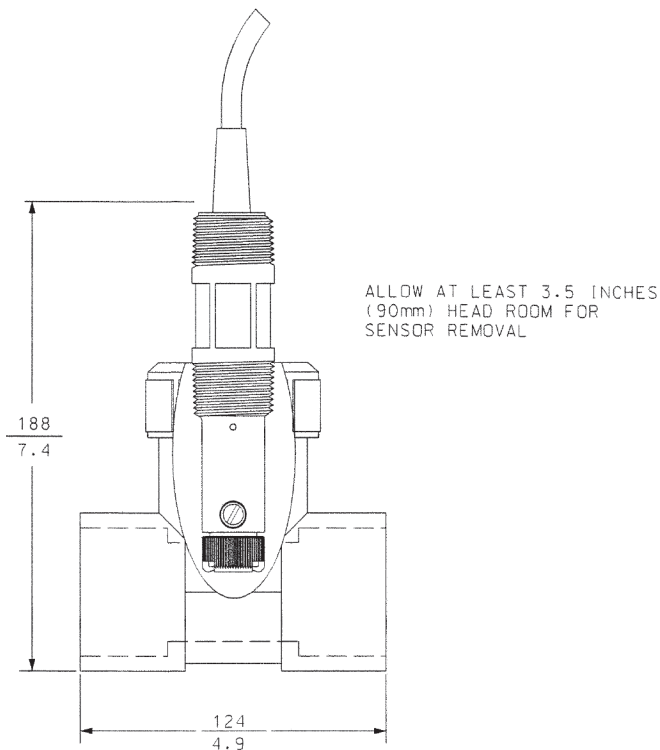
Standard sensor with integral cable



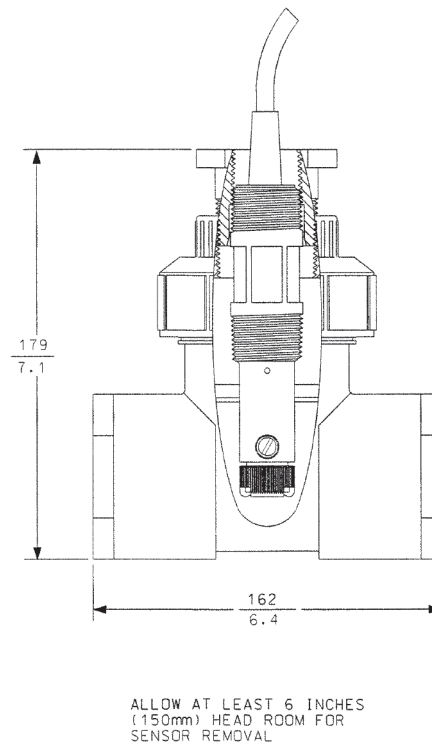
Sensor with Variopool connector.
Length of assembled sensor is 9.3 in. (236 mm).



Low flow cell (PN 24091-00)



Flow-through tee (1-1/2 inch) (PN 23567-00)



Flow-through tee (2 inch) (PN 915240-03, -04, -05)

Ordering Information

The 499AOZ sensor is intended for the determination of dissolved ozone in a variety of municipal and industrial applications. The sensor is generally intended for mounting in an off-line flow cell. The sensor is available with either an integral cable or a VP6 quick disconnect fitting. Three replacement membrane assemblies, three o-rings and a 4-oz (125 mL) bottle of electrolyte solution are provided with each sensor.

499AOZ	Dissolved Oxygen Sensor
CODE	Required selection
54	For use with 1056, 56, 5081-A, and 1066 analyzers

CODE	Optional selection
60	Optimum EMI/RFI cable (not available with -VP option)
VP	Sensor with Variopol 6 connector (interconnecting cable must be ordered separately)
499AOZ	-54 -VP EXAMPLE

For first time Variopol installations

Part Number	Description
23747-06	Interconnecting cable, VP 6, 2.5 ft (0.8 m)
23747-04	Interconnecting cable, VP 6, 4 ft (1.2 m)
23747-02	Interconnecting cable, VP 6, 10 ft (3.0 m)
23747-07	Interconnecting cable, VP 6, 15 ft (4.6 m)
23747-08	Interconnecting cable, VP 6, 20 ft (6.1 m)

Part Number	Description
23747-09	Interconnecting cable, VP 6, 25 ft (7.6 m)
23747-10	Interconnecting cable, VP 6, 30 ft (9.1 m)
23747-03	Interconnecting cable, VP 6, 50 ft (15.2 m)
23747-11	Interconnecting cable, VP 6, 100 ft (30.5 m)

Accessories

Part Number	Description
23567-00	1-½ in. flow through tee with 1-½ socket connections
914240-03	2-in. flow through tee with 1-in FNPT connections
915240-04	2-in. flow through tee with 1-in FNPT connections
915240-05	2-in. flow through tee with 1-in FNPT connections
24091-00	Low flow cell with ¼-in OD tubing compression fittings
9390004	Rotameter: 0.5–5.0 gph
23550-00	Junction box, 12 terminals
9200266	Extension cable for option -54, unterminated (specify length)
9200275	Extension cable for optimum EMI/RFI cable, unterminated (specify length)
23747-00	Extension cable for optimum EMI/RFI cable, terminated (specify length)
2001492	Stainless steel tag
23501-11	Dissolved ozone membrane assembly: includes one membrane assembly and O-ring.
23502-11	Dissolved ozone membrane assembly: includes three membrane assemblies and three O-rings.
9210299	#3 Dissolved ozone sensor fill solution, 4 oz (125 mL)

EmersonProcess.com/LiquidAnalysis



[YouTube.com/user/RosemountAnalytical](https://www.youtube.com/user/RosemountAnalytical)



Analyticexpert.com



[Twitter.com/Rosemount_News](https://twitter.com/Rosemount_News)



[Facebook.com/Rosemount](https://www.facebook.com/Rosemount)

©2016 Emerson Process Management. All rights reserved.

Emerson Process Management

2400 Barranca Parkway
Irvine, CA 92606
USA

Toll Free + 800 854 8257
T + 949 757 8500
F + 949 474 7250

Liquid.CSC@Emerson.com

The Emerson logo is a trademark and service mark of Emerson Electric Co. Rosemount and the Rosemount logotype are registered trademarks of Rosemount Inc. All other marks are the property of their respective owners.

The contents of this publication are presented for information purposes only, and while effort has been made to ensure their accuracy, they are not to be construed as warranties or guarantees, express or implied, regarding the products or services described herein or their use or applicability. All sales are governed by our terms and conditions, which are available on request. We reserve the right to modify or improve the designs or specifications of our products at any time without notice.