

Coupler

Hinge

Hinge JB

Suitable for use in Class I div. 2 when installed in accordance to NEC 501.

UL E27731
Type 3R
Rated 250mph



FEATURES-SPECIFICATIONS

Applications

- For luminaires and other electrical devices mounted on poles in industrial walkways, platforms, stairwells or anywhere OSHA/ HSE regulations would require fall prevention equipment
- For safe and easy service to existing or new installation of lighting poles

Features

- Three pole mounting options available for various applications
- Retrofittable to existing stanchion poles – No need to replace any conduit runs
- Spartan Hinge and Hinge Junction Box designed with mechanical cam system allowing a free hand to aid the pole down with ease
- Spartan Coupler and Hinge Junction Box allow access for splicing wire or installing electrical devices
- Cam shaft design allows minimal exertion necessary to lower pole
- Certified and tested to 250mph wind speeds
- Certified up to 50lb fixtures

Materials

- Spartan Hinge: Aluminum, HDG Iron, Stainless Steel
- Spartan Hinge JB: Aluminum, HDG Iron, Stainless Steel
- Spartan Coupler: Aluminum



SPARTAN POLE

Killark VM LED series with 90- or 25-degree stanchion mounting options for various optics

Spartan Pole Series can be rotated 360° to accommodate the desired 90° bend if spacing is limited

Cam shaft design for effortless lowering positioning. The smooth beveled stock ensures no kinking of wiring

1-1/2" top and bottom conduit

Spartan drops 90°

Various mounting brackets available

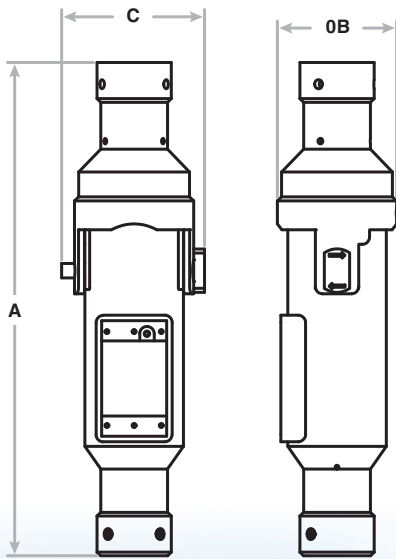
Customize your pole solution with the patented TET fitting allowing unimpeded access to wire splicing and pulling

FITTINGS

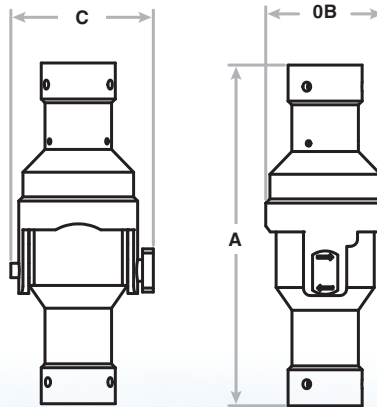
SPARTAN POLE



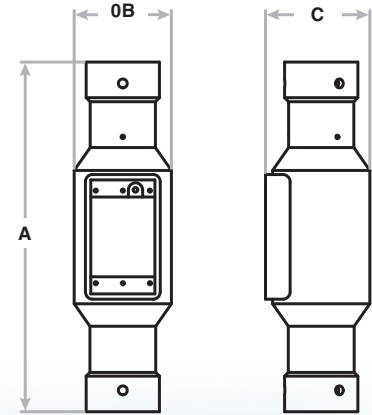
CATALOG NUMBER	ENTRY SIZE	POLE STYLE	MATERIAL	A	OB	C	2 4FT POLES	1X 4FT POLE 1X 6FT POLE
H-AL	1-1/2"	Hinge	Aluminum	11.97"	4.13"	4.95"	H-AL-08	H-AL-10
H-SS			Stainless Steel				H-SS-08	H-SS-10
H-HG			HDG Iron				H-HG-08	H-HG-10
HJB-AL	1-1/2"	Hinge Junction Box	Aluminum	17.32"	4.93"	4.02"	HJB-AL-08	HJB-AL-10
HJB-SS			Stainless Steel				HJB-SS-08	HJB-SS-10
HJB-HG			HDG Iron				HJB-HG-08	HJB-HG-10
CJB-AL	1-1/2"	Coupler	Aluminum	11.97"	3.41"	3.66"	CJB-AL-08	CJB-AL-10



Spartan Hinge Junction Box



Spartan Hinge

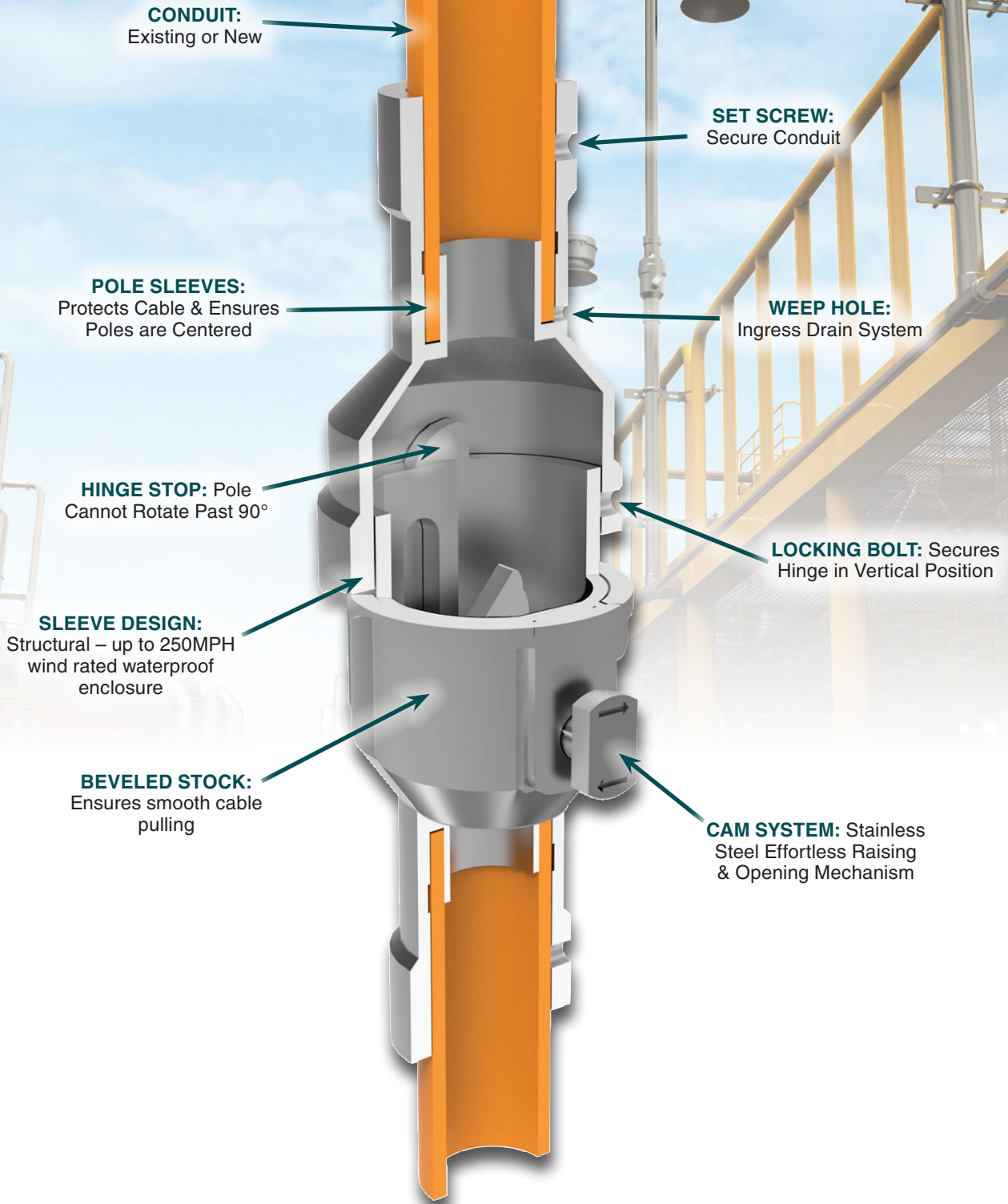


Spartan Coupler





SPARTAN HINGE





Customize Your Spartan Pole Solution and Save Money and Assembly Time Having It Shipped Completely Assembled

SPARTAN VC

H AL-0-08 AL-Y-01-TET-25

Spartan Pole Fitting

- H** – Hinge
- HJB** – Hinge JB
- CJB** – Coupler

Material

- AL** – Aluminum
- SS** – Stainless Steel
- HG** – Galv. Iron

Cover:

(Only for CJB & HJB)

- 0** – No FS Cover
- 1** – FS Blank Cover w/ Gasket AL

Pole Height

- 00** – No Pole
- 04** – 4ft Top Only
- 06** – 6ft Top Only
- 08** – 8ft (4ft Top & Bottom)
- 10** – 10ft (6ft Top & 4ft Bottom)

Pole Material

- AL** – Aluminum
- SS** – Stainless Steel
- HG** – Steel

Lighting Stacion Mounts

- 00** – None
- 25** – VMD5B 25°
- 90** – VMS5B Straight (90°)

Bottom Pull/Termination Fitting

- 000** – None
- TET** – (Top Entry T Fitting)
- FM5** – Form 5 1-1/2" Conduit Body
- FM7** – Form 7 1-1/2" Conduit Body
- PL5** – Nonmetallic Terminal Box

Brackets

(Brackets are Galv. Steel)

- 00** – None
- 01** – Universal L with Tublar U bolts
- 02** – Universal L with Angled bolt
- 03** – Wall Mount
- 04** – Floor Mount
- 05** – PL Box Bracket

**Stainless Steel contact Factory*

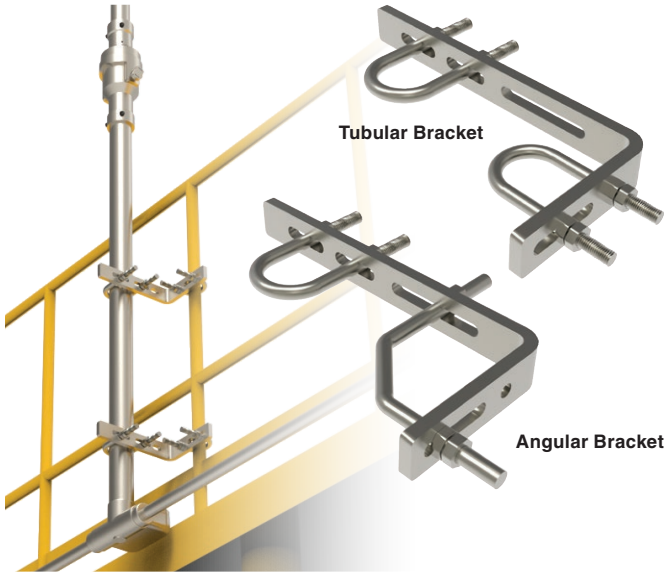
Cable:

(cable is standard 12/3 AWG)

- N** – No Cable
- Y** – Cable Length Determined by Pole Height Requested

MOUNTING OPTIONS

All brackets come standard with bolts, nuts and washers.

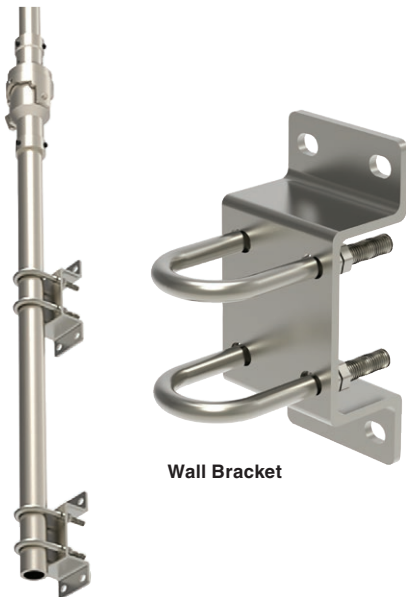


MOUNTING BRACKETS		
CATALOG NUMBER	FINISH	TYPE OF BRACKET
MHK-RTG	Steel	Tubular (rounded)
MHK-RAG	Steel	Angular
MHK-RTS	Stainless Steel	Tubular (rounded)
MHK-RAS	Stainless Steel	Angular



MOUNTING BRACKET		
CATALOG NUMBER	FINISH	TYPE OF BRACKET
MKH-FMBG	Steel	Floor mount
MKH-JFMBG	Steel	Floor mount w junction box

**For other finishes contact factory*



MOUNTING BRACKET		
CATALOG NUMBER	FINISH	TYPE OF BRACKET
MHK-WMBG	Steel	Wall

**For other finishes contact factory*



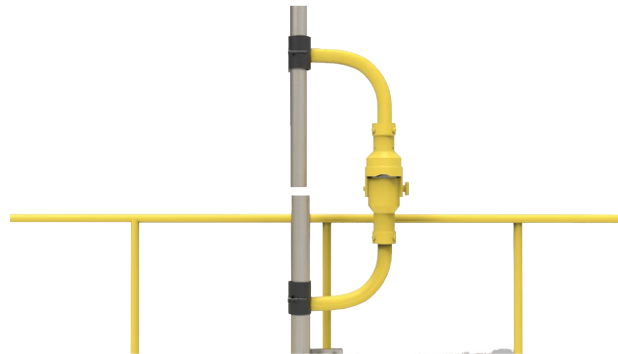
JUNCTION BOX/MOUNTING BRACKET	
CATALOG NUMBER	DESCRIPTION
MKH-PL514BCD-WDU6-421A	Bracket, PL5 Box 6 terminal - 3 501/421 M20 Glands (9mm-13.4mm) unarmored cable
MKH-PL514BCD-WDU6-423A	Bracket, PL5 Box 6 terminal - 3 501/423 M20 Glands (9mm-13.4mm) armored cable

Existing Stanchion Poles Can Easily Be Converted for Retrofitting for Future Maintenance

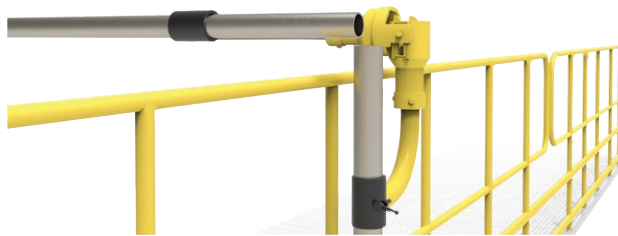
CONVERSION-RETROFIT TOOL	
CATALOG NUMBER	SPARTAN-CRT



SPARTAN-CRT



1
Install SPARTAN-CRT Tool and cut pipe approx. 2" above railing



2
Lower cut pipe and remove



3
Add Spartan Series and use existing cable and pole



4
Raise pole with new fixture and adjust direction if needed



Click [here](#) to watch the Installation Guide video or scan the QR code above.