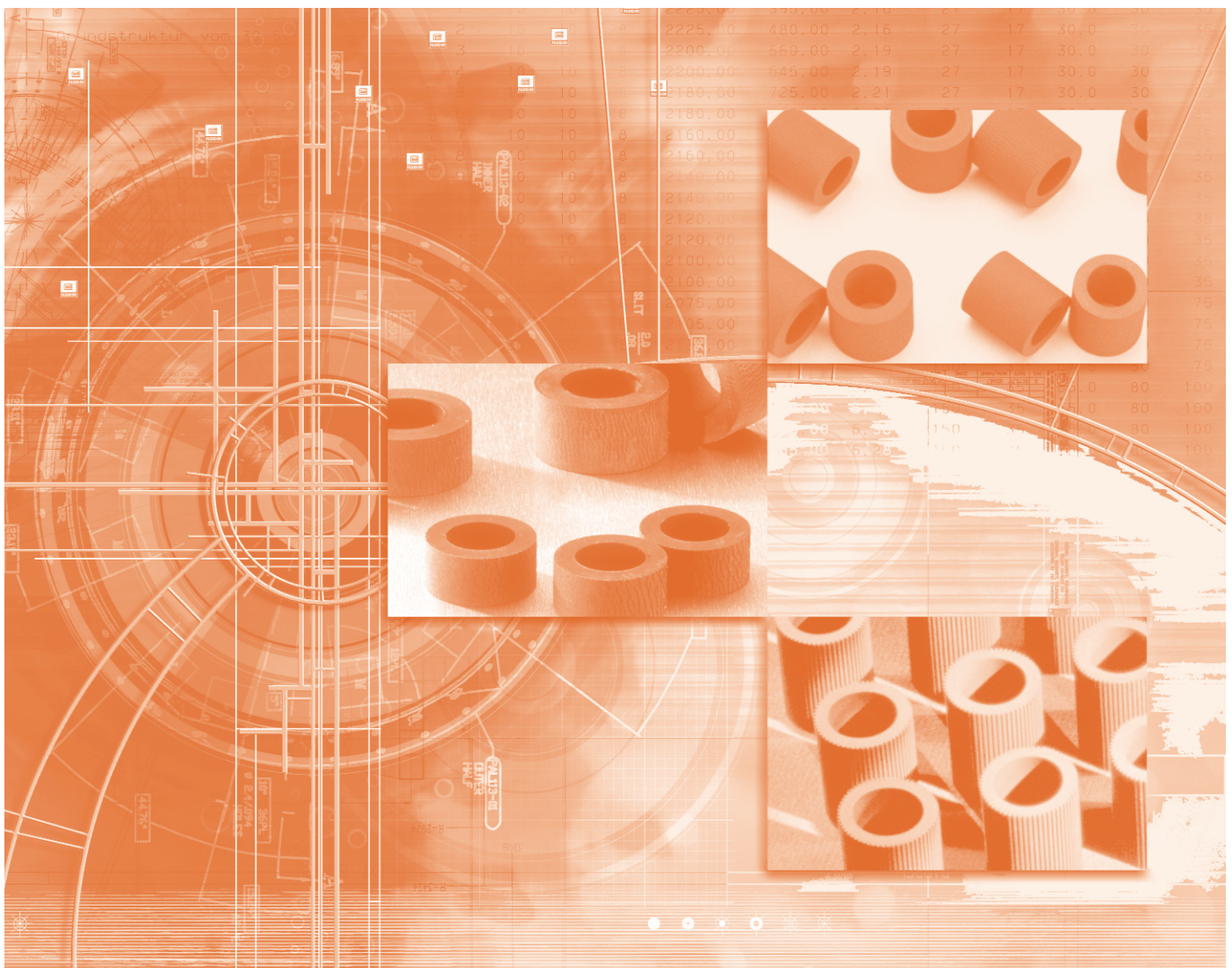


Feed Component Guide

for Toshiba Office Equipment



KATUN

This guide is designed to help you order high quality, cost-effective Katun feed components for the Toshiba office equipment listed below. You can identify the correct Katun part number for a particular feed component in either of two ways:

1. **Cross-reference Katun part numbers with the OEM part number for a given feed component.**
2. **Locate the feed component in the appropriate machine illustration and then reference its identification letter in the product listing.**

All Katun feed components are sold “tire only” unless otherwise noted.

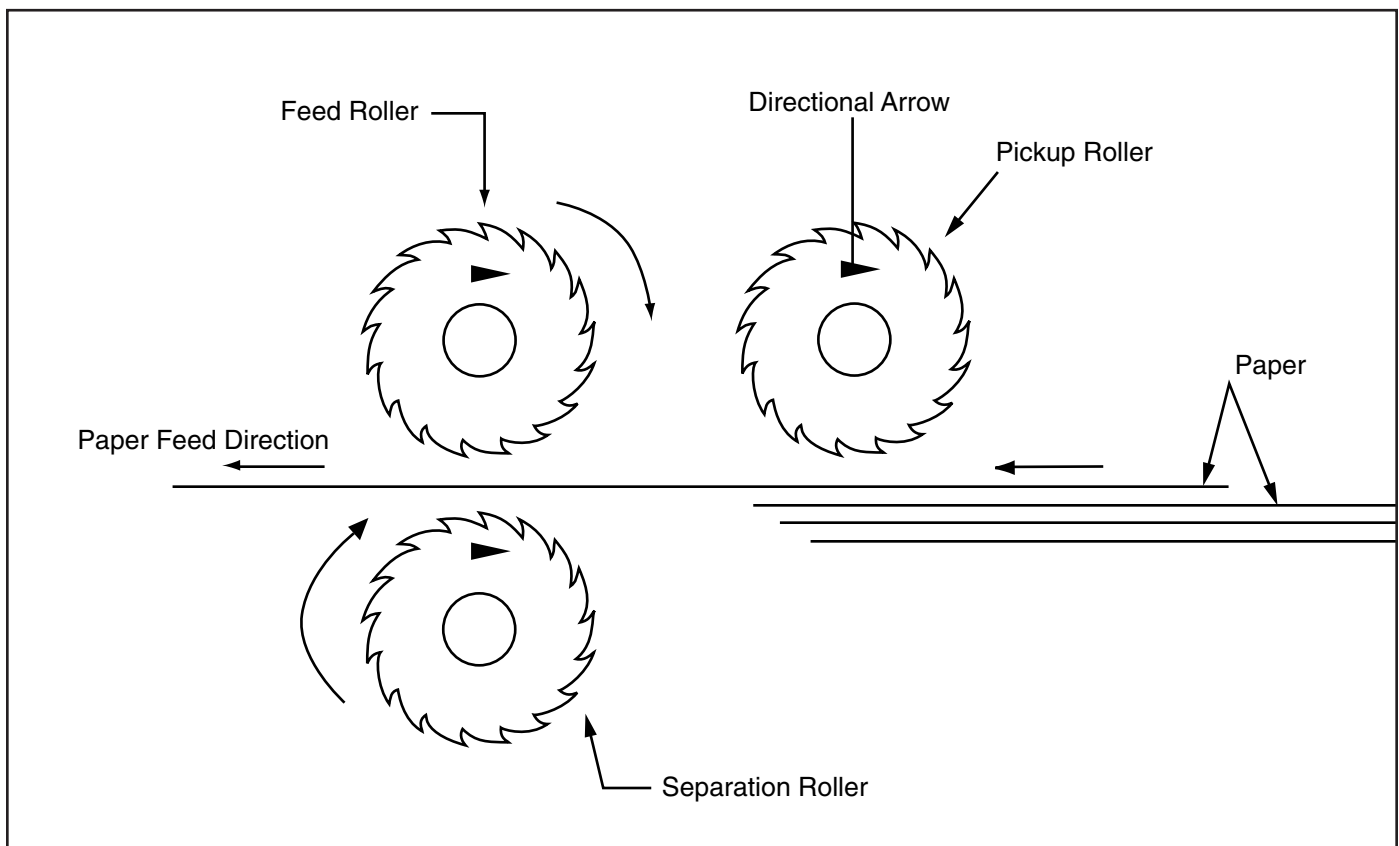
Toshiba Model	Page Number
E-Studio 16/20 (MD-1009, MR-3011, MY-1015, MY-1016)	3
E-Studio 35 (MR-3012)	4
E-Studio 55 (Lanier 5555)	5
E-Studio 350	6
E-Studio 550	7
E-Studio 3511	8
1650/2050/2540 (MR2002) (Lanier 6625)	9
2060/2860/DP 2460/DP 3580 (Lanier 7320/7328)	10
2510 (MR 3001)/2550 (MR 3003) (Lanier 6525/6725)	11 - 12
3550/4550 (MR 3003) (Lanier 6735/6745)	13 - 14
DP 4580/5570/6570 (Lanier 5355/5365)	15 - 16
5540 (MR 3003) (Lanier 6755)	17 - 18
6550/7550 (Lanier 6765/6775)	19 - 20

Katun feed components are sold “tire only” unless otherwise noted.

For the most current feed component cross-reference information, visit www.katun.com/resourcecenter/feedcompguide.html

Installing Katun Feed Tires? Proper Installation Ensures Excellent Performance

Most "crepe-style" (textured surface) Katun tire-only feed tires are imprinted with a directional arrow or mark. When installing, it is essential that the imprinted arrow points in the direction of required tire rotation. In certain machine applications, this may mean that the side for the tire that bears the imprinted arrow faces toward the technician; in other applications, the arrow side may face toward the rear of the machine.



Feed Component Care Tips

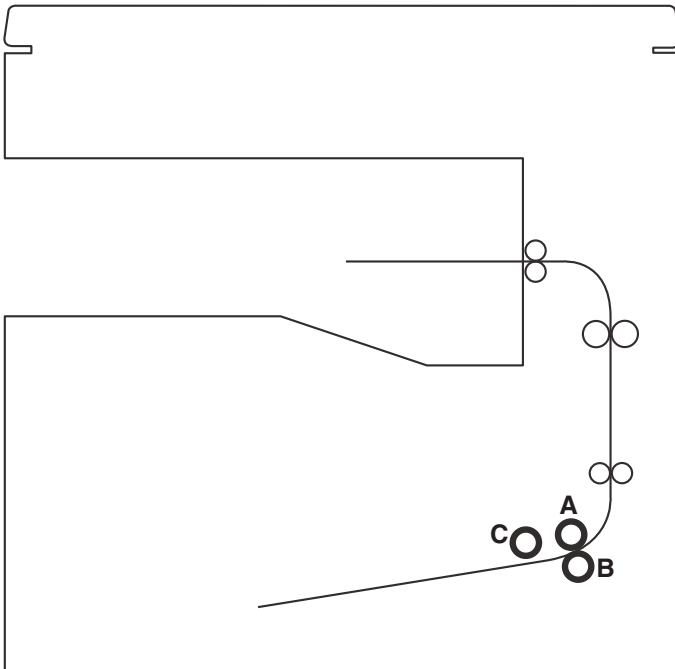
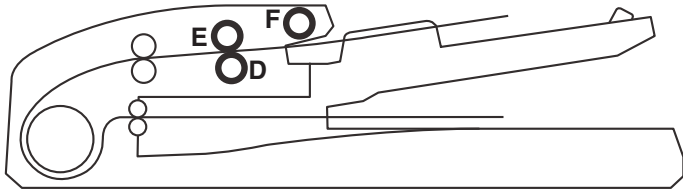
- Keep bags sealed tightly until feed components will be installed.
- Store feed components in a cool, dry, and dark location.
- Clean feed components ONLY with soap and warm water.

Toshiba E-Studio 16/20 (with MD-1009, MR-3011, MY-1015, MY-1016)

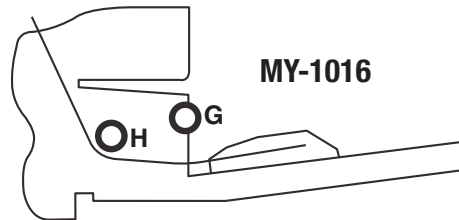
Description	OEM PN	Katun PN
-------------	--------	----------

A Feed Roller (with hub assembly)	4401 964410	27042
A Feed Roller	4401 964420	19948
B Separation Roller	4401 964280	19949
B Separation Roller (with hub assembly)	4401 964290	27041
C Pickup Roller (with metal shaft)	41306 719000	20765
D Original Separation Roller (with hub assembly)	41320 650000	26259
E Original Feed Roller (with hub assembly)	41320 734000	26257
F Original Pickup Roller (with hub assembly)	41320 735000	26258
G Bypass Pickup Roller	4401 966500	17818
H Feed Roller	4402 038460	9693

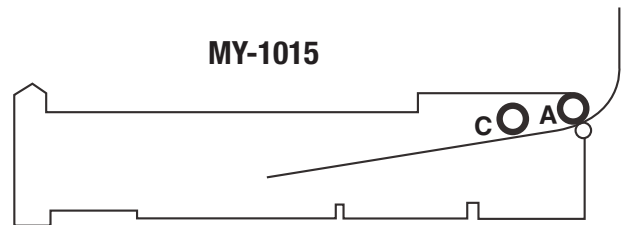
MR-3011



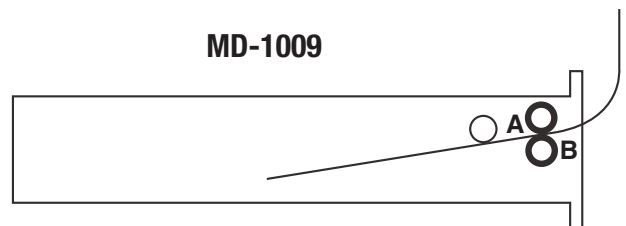
MY-1016



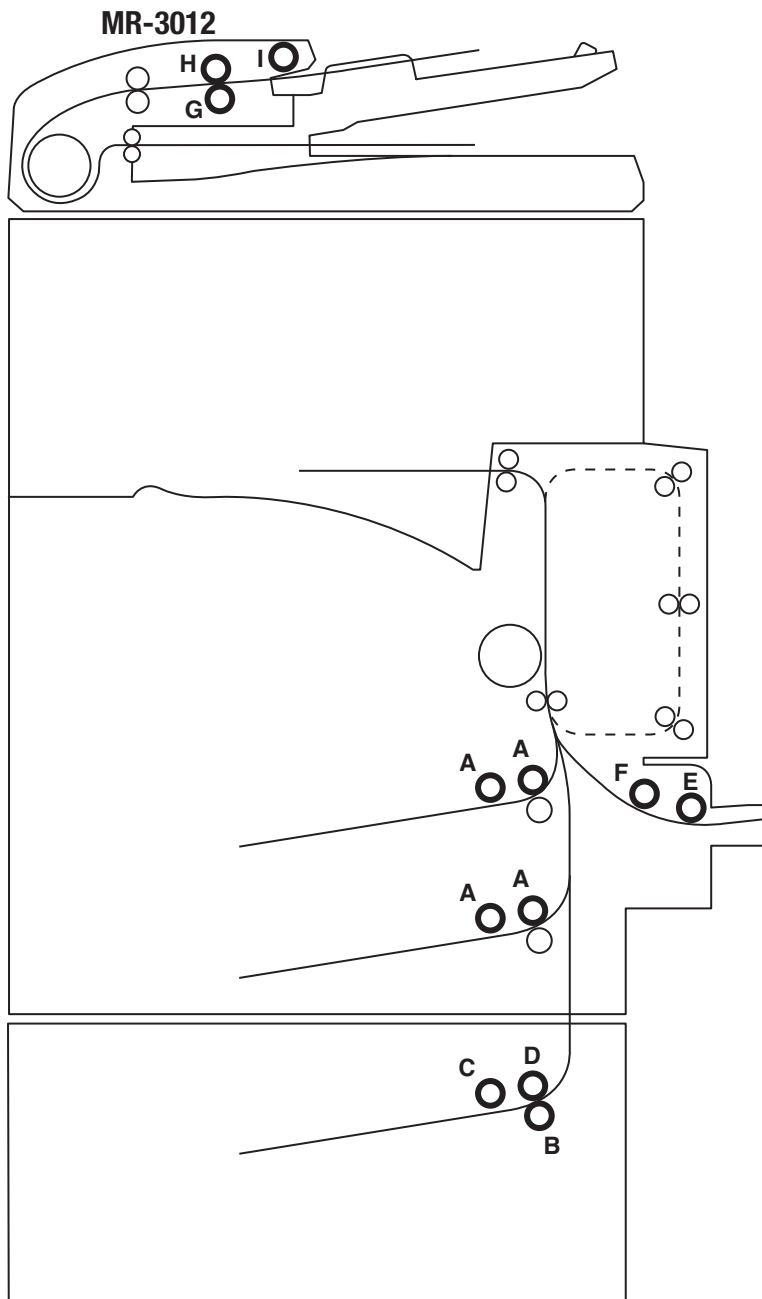
MY-1015



MD-1009



Toshiba E-Studio 35 (with MR-3012)



Description	OEM PN	Katun PN
-------------	--------	----------

A	Pickup Roller	44201 807000	9690
A	Pickup Roller (with hub assembly)		27045
B	Feed Tire	41319 660000	18483
C	Pickup Tire	41319 632000	18482
D	Feed Tire	41319 658000	18484
E	Bypass Pickup Roller	4401 966500	17818
F	Feed Roller	4402 038460	9693
G	Original Separation Roller (with hub assembly)	41320 650000	26259
H	Original Feed Roller (with hub assembly)	41320 734000	26257
I	Original Pickup Roller (with hub assembly)	41320 735000	26258

FEED TIRE KITS

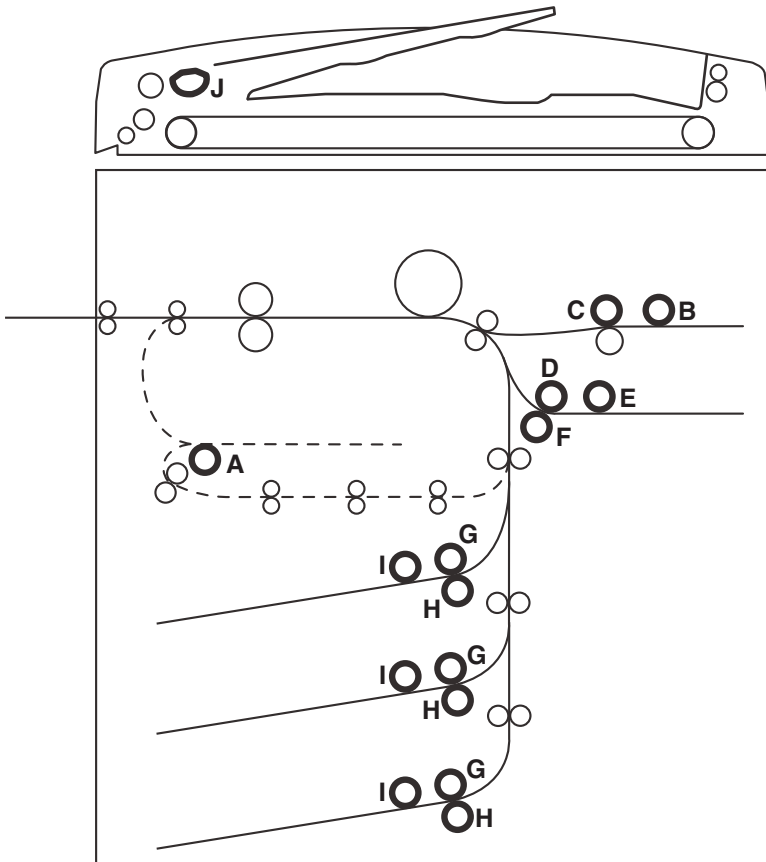
Description	OEM PN	Katun PN
-------------	--------	----------

Feed Roller Kit	44202 430000	20136
B	(1) Feed Tire	
C	(1) Pickup Tire	
D	(1) Feed Tire	

Toshiba E-Studio 55

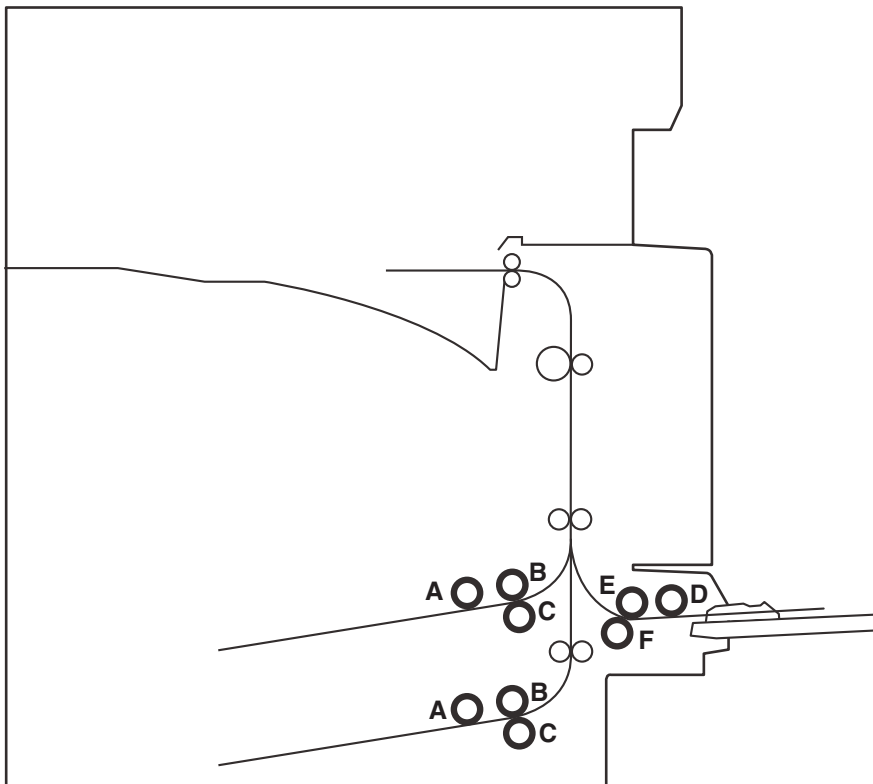
Description	OEM PN	Katun PN
-------------	--------	----------

A	Pickup Roller	4406 342930	20111
B	Manual Pickup Roller	4401 773060	9694
C	Manual Feed Roller	4401 773050	9693
D	Feed Roller	4402 038540	9693
E	Upper Feed Roller	4402 038420	9690
F	Separation Roller	4406 347610	12301
G	Feed Roller	4402 038460	9693
H	Separation Roller	4406 347620	12301
I	Pickup Roller (with hub assembly)	4401 773080	19855
J	Original Feed-in Roller (with hub assembly)	4406 363080	19946



Toshiba E-Studio 350

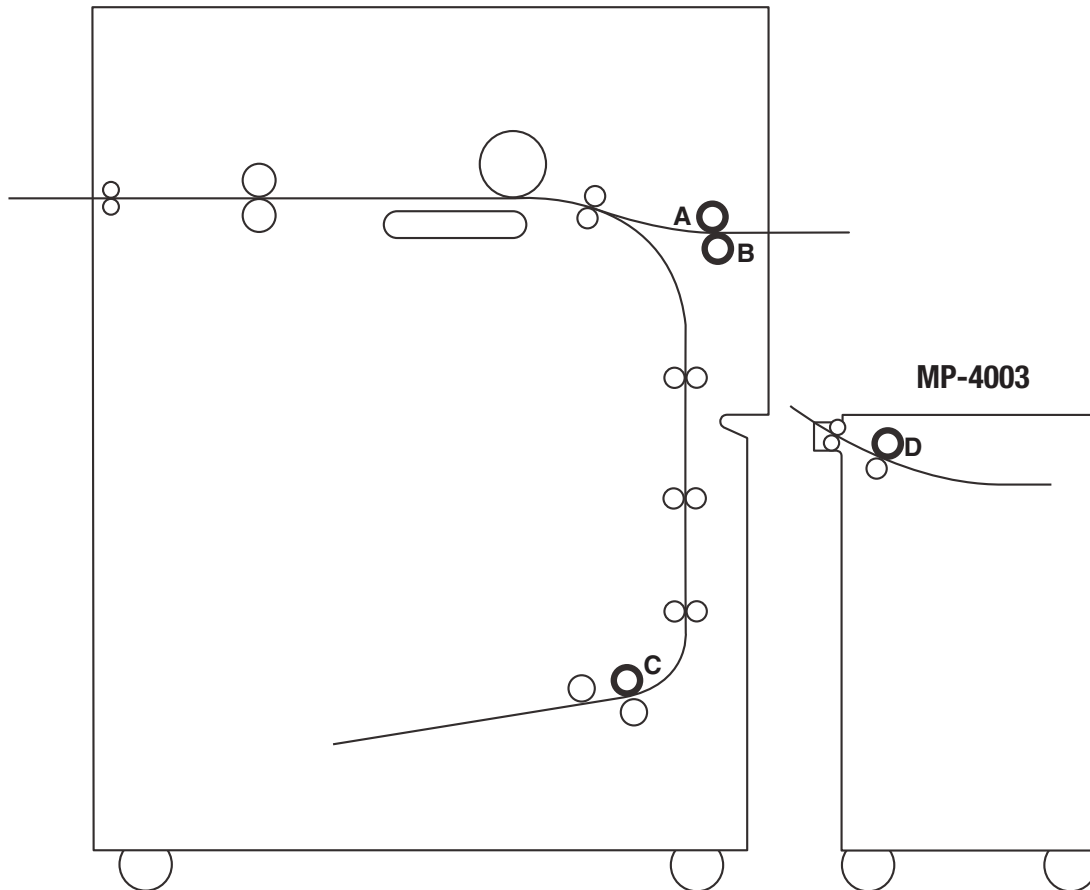
	Description	OEM PN	Katun PN
A	Pickup Roller (with metal shaft)	41306 719000	20765
B	Feed Roller	4401 964420	19948
B	Feed Roller (with hub assembly)	4401 964410	27042
C	Separation Roller (with hub assembly)	41304 047100	26260
D	Bypass Pickup Roller (with hub assembly)	44218 398000	27047
E	Bypass Feed Roller (with hub assembly)	44218 389000	27046
F	Bypass Separation Roller (with hub assembly)	6LA28 899000	27296



Toshiba E-Studio 550 (with MP-4003)

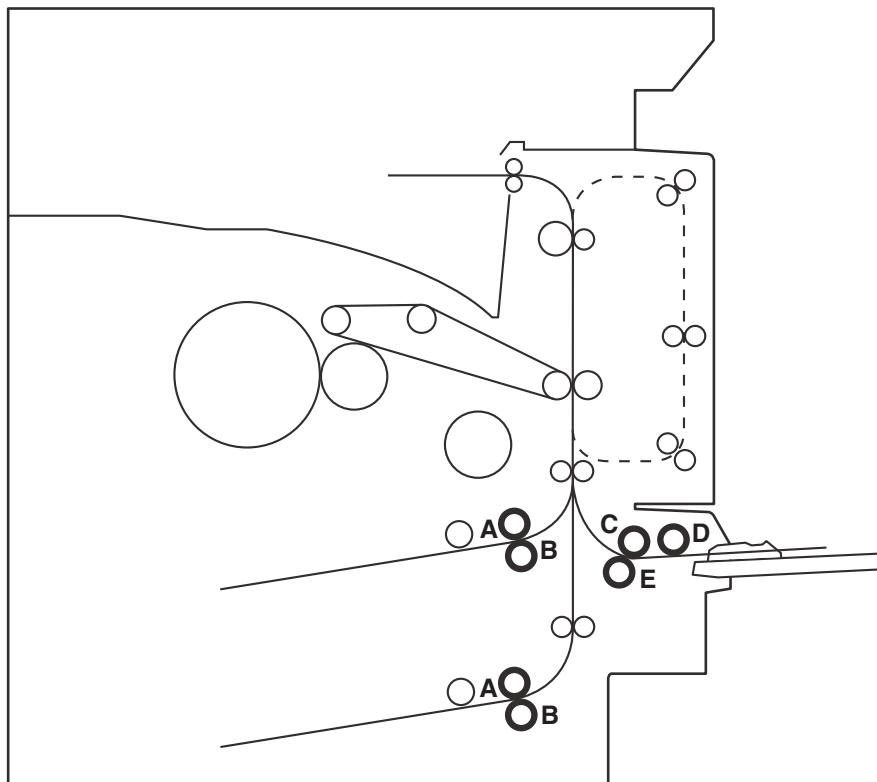
Description	OEM PN	Katun PN
-------------	--------	----------

A	Manual Feed Roller	4401 773050	9693
B	Separation Roller	4406 347610	12301
C	Feed Roller	4402 038540	9693
D	Feed Roller	4402 038540	9693

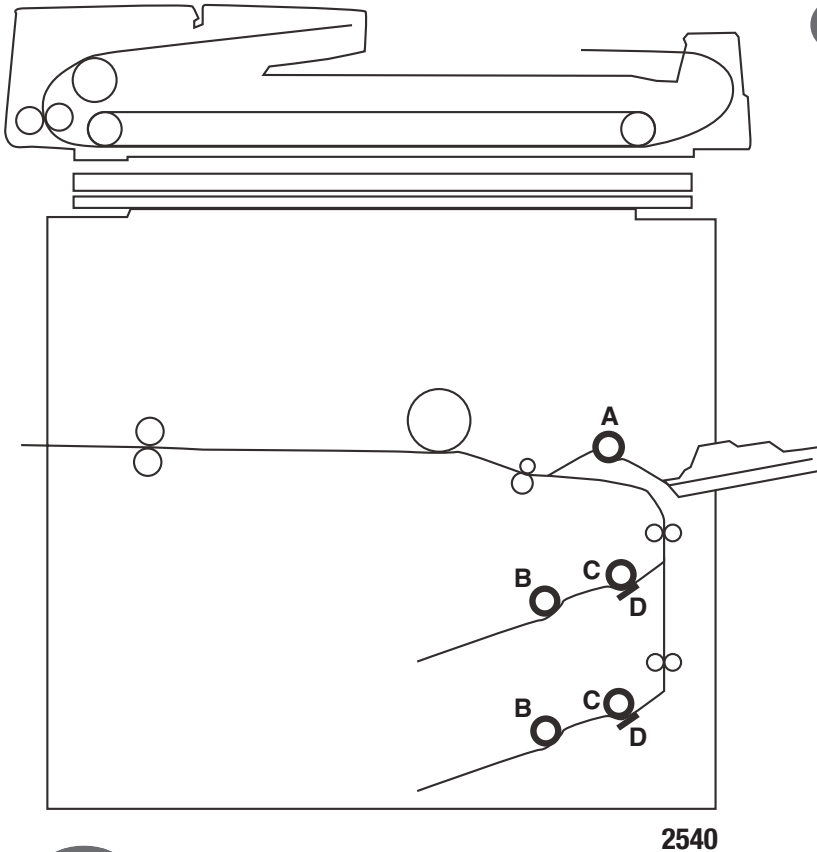
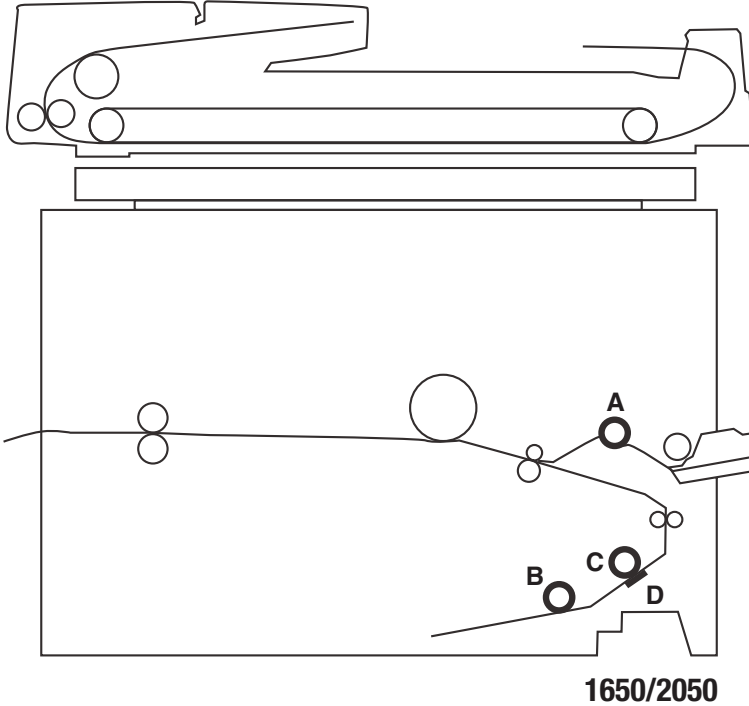


Toshiba E-Studio 3511

	Description	OEM PN	Katun PN
A	Feed Roller	4401 964420	19948
A	Feed Roller (with hub assembly)	4401 964410	27042
B	Separation Roller (with hub assembly)	41304 047100	26260
C	Bypass Feed Roller (with hub assembly)	44218 389000	27046
D	Bypass Pickup Roller (with hub assembly)	44218 398000	27047
E	Bypass Separation Roller (with hub assembly)	6LA28 899000	27296



Toshiba 1650/2050/2540 (MR 2002) (Lanier 6625)



Description	OEM PN	Katun PN
-------------	--------	----------

A Manual Feed Roller	4401 773050	9693
B Pickup Roller	4400 917630	9697
C Feed Roller	4401 773050	9693
D Separation Pad	4400 927500	14327

FEED TIRE KITS

Description	Katun PN
-------------	----------

Feed Tire Replacement Kit	15619
----------------------------------	--------------

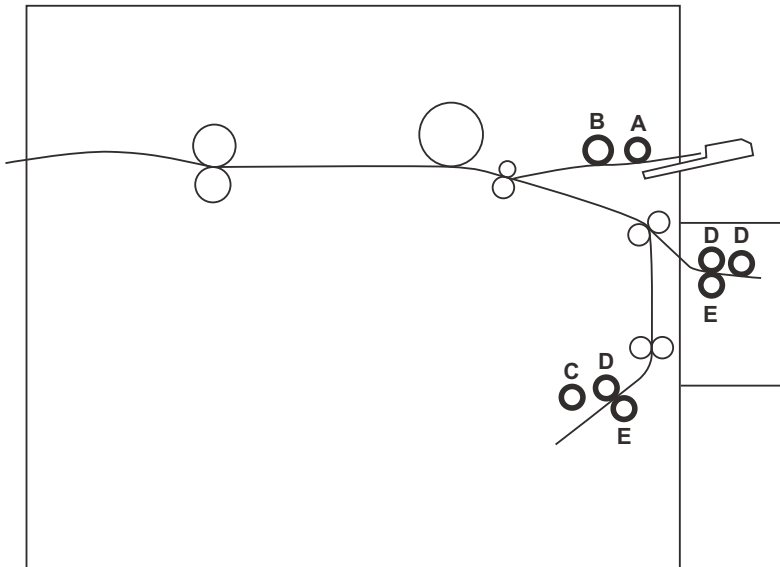
B (2) Pickup Rollers
C (1) Feed Roller
D (1) Separation Pad

ADDITIONAL KATUN PARTS

Description	OEM PN	Katun PN
-------------	--------	----------

Drum Cleaning Blade	4409 820340 BL 1710 D	9687
Fuser Cleaning Roller	4409 827910	11225
Upper Fuser Roller	4409 899050 HR 2050 UN	14790
Lower Pressure Roller, MICROSLLEEVE®	4409 840810 4409 836620	9126 <i>(Universal)</i>
OPC Drum	OD3210 OD1710	15316 <i>(Universal)</i>
Black Toner	T1710	17394
Black Developer, Original	D1710	13554

Toshiba 2060/2860/DP 2460/DP 3580 (Lanier 7320/7328)



Description	OEM PN	Katun PN
-------------	--------	----------

A Bypass Pickup Roller	4401 966500	17818
A Bypass Pickup Tire	4401 966510	17818
B Feed Roller	4402 038460	9693
B Feed Tire	4402 038470	9693
C Pickup Roller (with Shaft Assembly New)	4401 967330	18878
D Feed Roller	4401 964420	19948
D Feed Roller (with Shaft Assembly)	4401 964410	27042
E Separation Roller	4401 964280	19949
E Separation Roller (with Shaft Assembly)	4401 964290	27041

ADDITIONAL KATUN PARTS

Description	OEM PN	Katun PN
Upper Fuser Roller Cleaning Blade	4402 039580	10154
Drum Cleaning Blade	4409 890630	16883
Fuser Cleaning Roller	4409 890620	15411
80K PM Kit	4409 890730	18869
Upper Fuser Roller	4409 890600 4409 891600	15656 (Universal)
Lower Pressure Roller, MICROSLEEVE®	4409 891610 4409 890610 HR 2060 L HR 3560 L	16045 (Universal)
OPC Drum	OD3560 OD2060	16774 (Universal)
Black Developer, Original	D2060	17258
Black Toner	T2060	17386

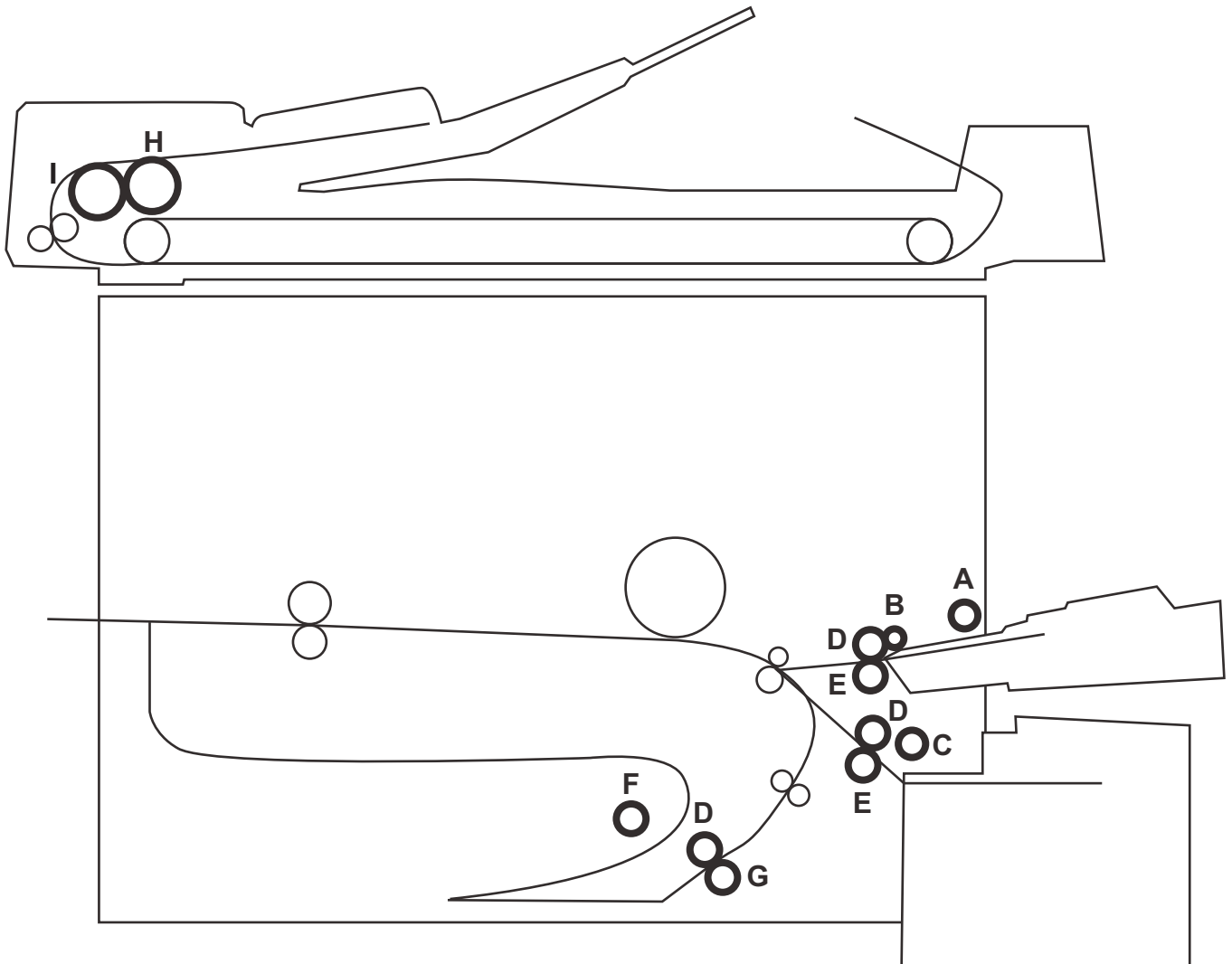
FEED TIRE KITS

Description	OEM PN	Katun PN
-------------	--------	----------

Feed Tire Kit	4402-474100	21590
C (1) Paper Pickup Roller with Shaft Assembly (New)		
D (1) Paper Feed Tire		
E (1) Separation Tire		
Feed Tire Kit	4402-474110	21608
D (2) Paper Feed Tire	(For MP-1501)	
E (1) Separation Tire		

KATUN

Toshiba 2510 (MR 3001)/2550 (MR 3003) (Lanier 6525/6725)



	Description	OEM PN	Katun PN
A	Manual Feed Roller	4400 801560	9965
B	Pickup Tire	4402 038410	9692
B	Pickup Roller	4402 038400	9692
C	Pickup Roller	4402 038420	9690
D	Feed Roller (old style – 2510 only)	4402 208960	10056
D	Feed Roller (new style)	4402 038540	9693
D	Feed Tire (old style – 2510 only)	4400 823830	636693
D	Feed Tire (new style)	4402 038470	9693
D	Feed Roller	4402 038460	9693
E	Separation Roller	4402 038480	9696
F	Pickup Roller	4400 825750	9697
G	Separation Roller	4402 038550	9964
H	Pickup Roller (MR-3001 only)	4402 242900	10818
H	Pickup Roller	4402 243690	16741
I	Separation Roller	4402 242910	10819

FEED TIRE KITS

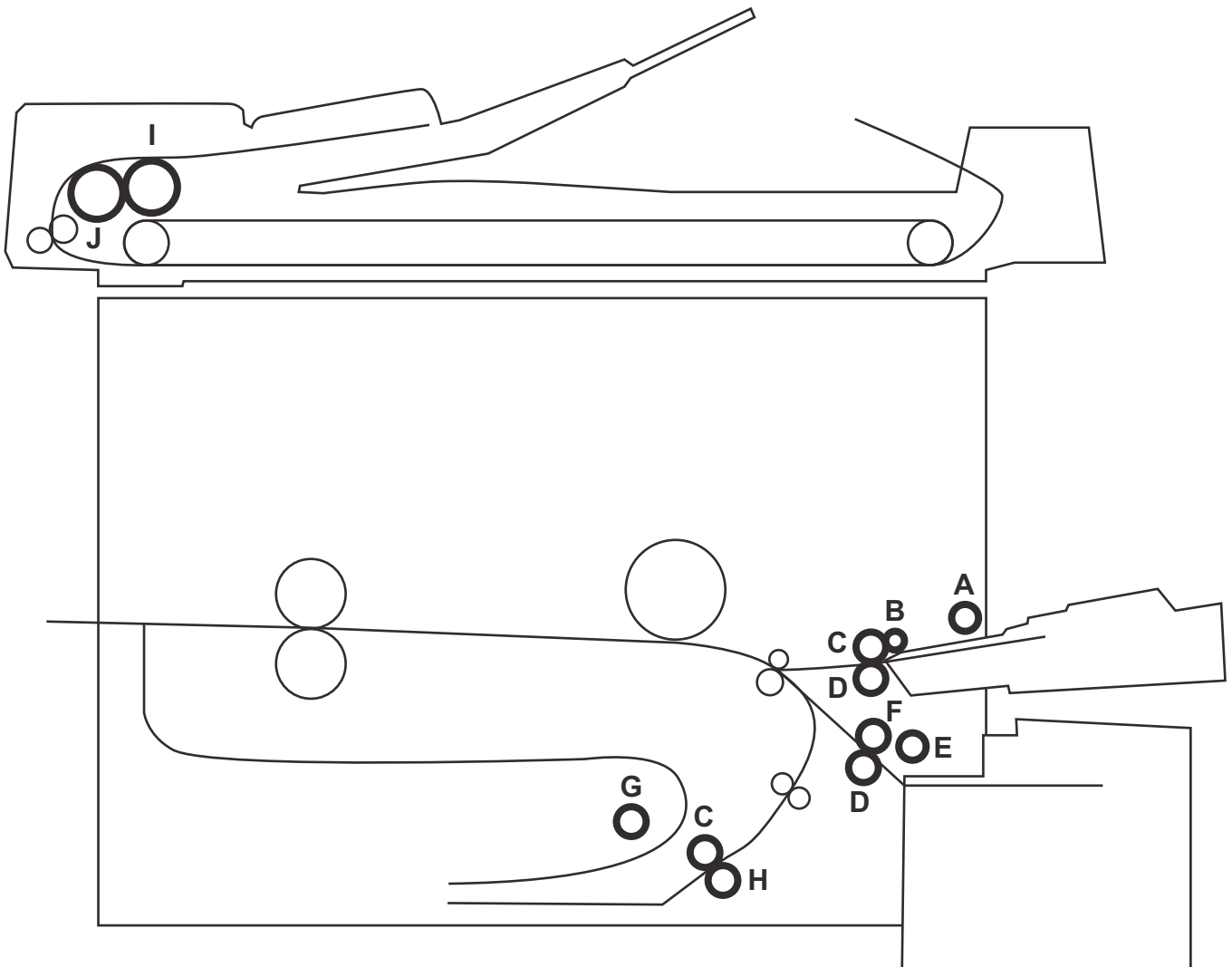
	Description	Katun PN
	Lower Cassette Kit (2510 only)	11794
C	(1) Pickup Roller	
D	(1) Feed Roller	
E	(1) Separation Roller	
	Upper Cassette Kit (2510 only)	11793
B	(1) Pickup Roller	
D	(1) Feed Roller	
E	(1) Separation Roller	
	ADD Kit (2510 only)	11795
F	(2) Pickup Rollers	
D	(1) Feed Roller	
G	(1) Separation Roller	

ADDITIONAL KATUN PARTS

Description	OEM PN	Katun PN
Drum Cleaning Blade	4409 818030	12968
	4409 836330	(Universal)
	BL 2510 D BL 3550 D	
Fuser Cleaning Roller, FIBRA® II, OPTIMA	4409 835790	11226
	4409 817970	(Universal)
	SR2510H SR 2550 H	
Upper Fuser Roller	4409 899060 HR 2510 UN	14469
Lower Pressure Roller, MICROSLEEVE®	4409 840810	9126
	4409 836620	(Universal)
	HR 2510 L HR 3240 L	
60K PM Kit	PM 2510 4409 892060	15213 (Universal)
OPC Drum	OD2510	0931
Black Toner	T2510	17398 (Universal)
Black Developer, Original	D1710	13554

KATUN

Toshiba 3550/4550 (MR 3003) (Lanier 6735/6745)



	Description	OEM PN	Katun PN
A	Bypass Feed Roller	4400 801560	9965
B	Paper Pickup Tire	4402 038410	9692
B	Paper Pickup Roller	4402 038400	9692
C	Paper Feed Tire	4402 038470	9693
C	Paper Feed Roller	4402 038460	9693
D	Separation Roller	4402 038480	9696
E	Paper Feed Roller	4402 038420	9690
F	Paper Feed Roller	4402 038540	9693
F	Paper Feed Tire	4402 038470	9693
G	Duplex Paper Pickup Roller	4400 825750	9697
H	Separation Roller	4402 038550	9964
I	Original Pickup Roller	4402 243690	16741
J	Original Separation Roller	4402 242910	10819

FEED TIRE KITS

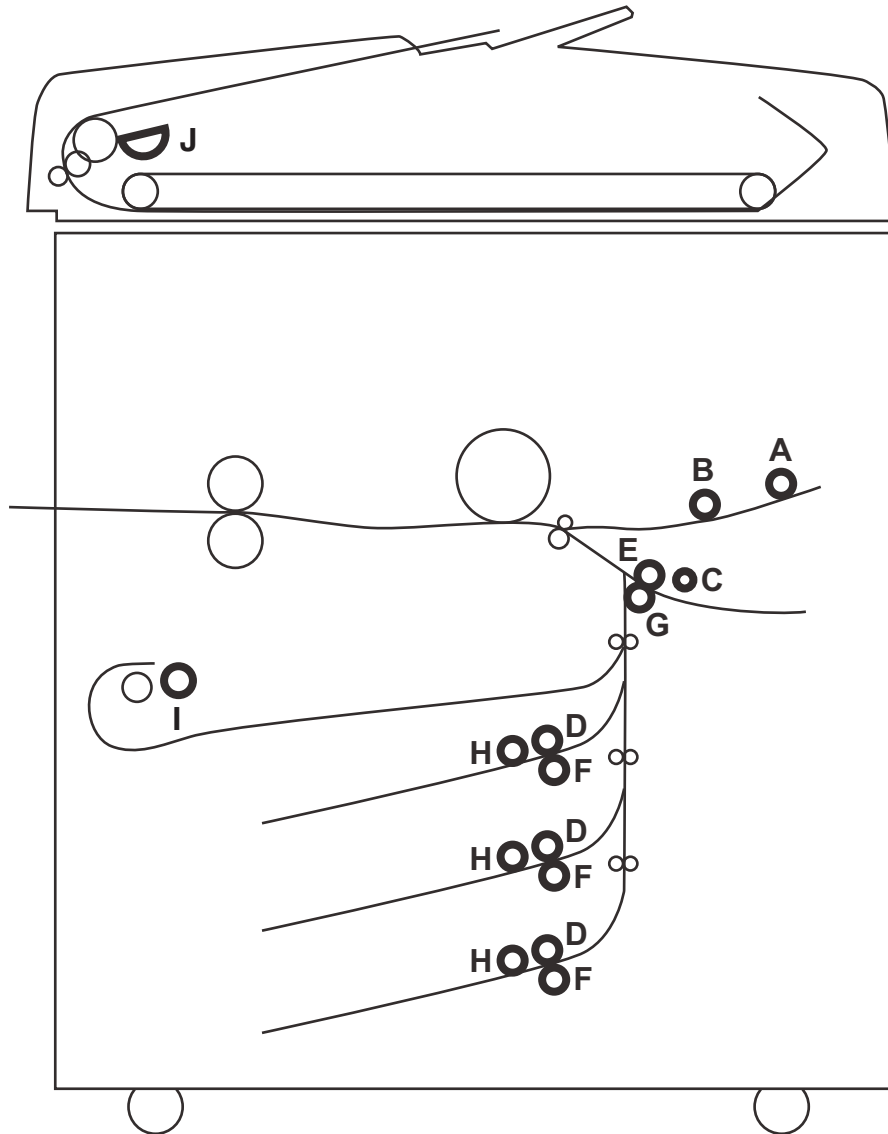
	Description	OEM PN	Katun PN
	Feed Tire Kits	4402 260870	12021
C	(1) Feed Tire		
D	(1) Separation Roller		

ADDITIONAL KATUN PARTS

	Description	OEM PN	Katun PN
	Drum Cleaning Blade	4409 836330	12968
		4409 818030	(Universal)
		BL 2510 D	
		BL 3550 D	
	Fuser Cleaning Roller	4409 821850	19539
		SR 5020 H	
	Upper Fuser Roller, DURACON® II	4409 899070	11240
		4409 899080	(Universal)
	Lower Pressure Roller, MICROSLEEVE®	4409 840830	9125
		HR 4010 L	(Universal)
	OPC Drum	OD4010	0934
	Black Toner	T4550	17400
		T4550 E	
	Black Developer, Original	D4550	13597

KATUN

Toshiba DP 4580/5570/6570 (Lanier 5355/5365)



	Description	OEM PN	Katun PN
A	Manual Pickup Roller	4401 773060	9694
B	Manual Paper Feed Roller	4401 773050	9693
C	Paper Feed Roller	4402 038420	9690
D	Paper Feed Roller	4402 038460	9693
D E	Paper Feed Tire	4402 038470	9693
E	Paper Feed Roller	4402 038540	9693
F	Separation Tire	4401 773040	12301
F G	Separation Roller	4406 347620	12301
G	Separation Roller	4406 347610	12301
H	Paper Pickup Roller (with Shaft Assembly)	4401 773080	19855
I	Paper Pickup Roller	4406 342930	20111
J	Pickup Roller (with Hub Assembly)	4406 363080	19946

PM KITS

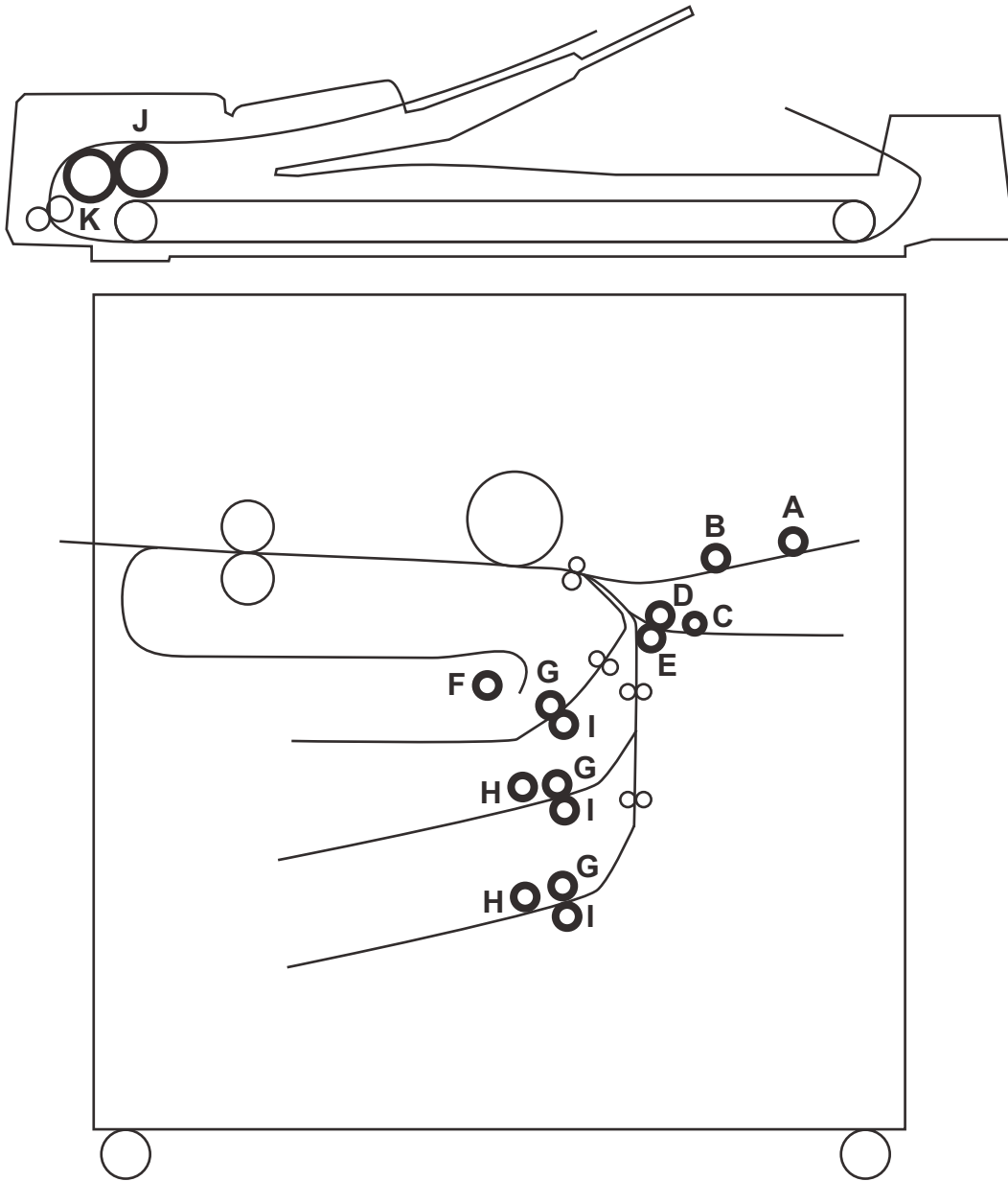
	Description	OEM PN	Katun PN
	PM Kit	4406 368500	20102
C	(1) Paper Feed Roller		
E	(1) Paper Feed Roller		
G	(1) Separation Roller		
-	(1) Developer Filter		
-	(1) Ozone Filter		

ADDITIONAL KATUN PARTS

	Description	OEM PN	Katun PN
	Ozone Filter	4406 310920	20063
	Oil Supply Roller	4409 892770 SR 6570 H	18042
	Lower Oil Supply Roller	4409 892780 SR 6570 L	18043
	Upper Fuser Cleaning Roller	4409 892790 B 6570 H	18378
	Fuser Unit PM Kit	4408 850720	19739
	Upper Fuser Roller, ALUMANA®	4409 892750 HR 6570 U	18456 (Universal)
	Lower Pressure Roller, MICROSLEEVE®	4409 892760 HR 6570 L	18320 (Universal)
	OPC Drum	OD6570	18626

KATUN

Toshiba 5540 (MR 3003) (Lanier 6755)



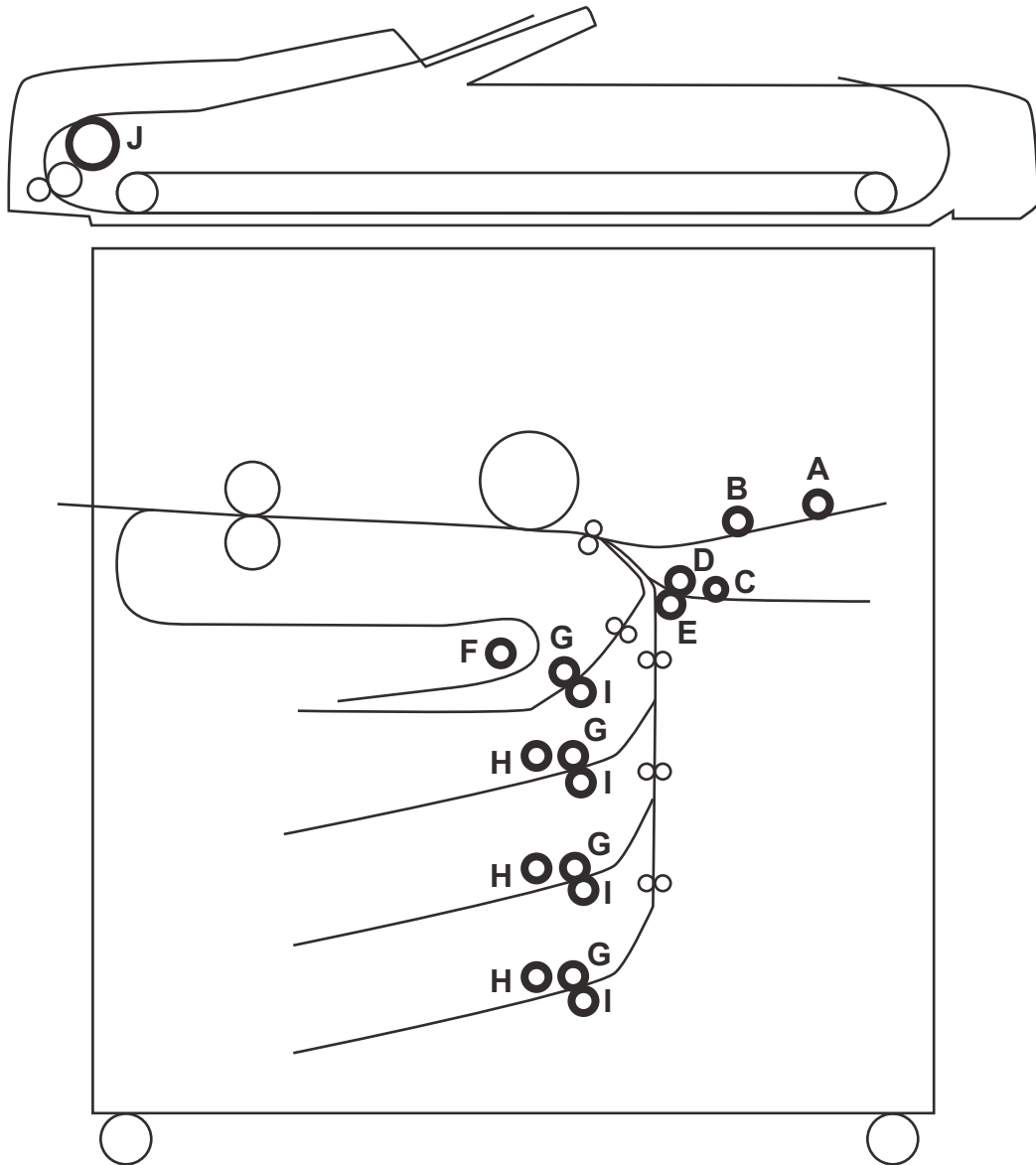
	Description	OEM PN	Katun PN
A	Manual Pickup Roller	4401 773060	9694
B	Manual Feed Paper Roller	4401 773050	9693
C	Paper Feed Roller	4402 038420	9690
D	Paper Feed Roller	4402 038540	9693
D	Paper Feed Tire	4402 038470	9693
E	Separation Roller	4401 773010	12854
F	Duplex Paper Pickup Roller	4400 825750	9697
G	Paper Feed Tire	4402 038470	9693
G	Paper Feed Roller	4402 038460	9693
H	Pickup Roller (with Shaft Assembly)	4401 773080	19855
I	Separation Tire	4401 773040	12301
I	Separation Roller	4401 773030	12301
J	Original Pickup Roller	4402 243690	16741
K	Original Separation Roller	4402 242910	10819

ADDITIONAL KATUN PARTS

Description	OEM PN	Katun PN
Drum Cleaning Blade	4409 830660 BL 6550 D	12702
Fuser Cleaning Roller	4409 830570 SR 6550 H	14462
Lower Fuser Cleaning Roller	4409 835090 SR 5540 L	12357
100K PM Kit	4409 892100 PMK5540	15405 (Universal)
Upper Fuser Roller, ALUMANA®	4409 830460 4409 899100 HR 6550 U	12041 (Universal)
Lower Pressure Roller, MICROSLEEVE®	4409 830510 HR 6550 L	11901
As2Se3 Drum	SD5540	15976 (Universal)
Black Toner	T6550 T6550 E	12645
Black Developer, Original	D6550	15418

KATUN

Toshiba 6550/7550 (Lanier 6765/6775)



	Description	OEM PN	Katun PN
A	Manual Pickup Roller	4401 773060	9694
B	Manual Feed Paper Roller	4401 773050	9693
C	Pickup Roller	4402 038420	9690
D	Paper Feed Roller	4402 038540	9693
D	Paper Feed Tire	4402 038470	9693
E	Separation Roller	4401 773010	12854
F	Duplex Paper Pickup Roller	4400 825750	9697
G	Paper Feed Tire	4402 038470	9693
G	Paper Feed Roller	4402 038460	9693
H	Pickup Roller (with Shaft Assembly)	4401 773080	19855
I	Separation Tire	4401 773040	12301
I	Separation Roller	4401 773030	12301
J	Feed Roller	4401 791920	11370

ADDITIONAL KATUN PARTS

Description	OEM PN	Katun PN
Drum Cleaning Blade	4409 830660 BL 6550 D	12702
Fuser Cleaning Roller	4409 830570 SR 6550 H	14462
100K PM Kit	PM6550 4409 892120 4409 892730	15406 <i>(Universal)</i>
Upper Fuser Roller, ALUMANA®	4409 899090 4409 899100 HR 6550 U HR 7550 U HR 7650 U	12041 <i>(Universal)</i>
Lower Pressure Roller, MICROSLEEVE®	4409 830510 HR 6550 L	11901
As2Se3 Drum	SD6550 SD7550 SD7650	15976 <i>(Universal)</i>
Black Toner	T6550 T6550 E	12645
Black Developer, Original	D6550	15418

**Katun Corporation**

Toll-Free Phone: 1-800-328-2965

Katun Canada Inc.

Toll-Free Phone: 1-800-634-5344

Katun U.K. Ltd.

Freephone: 0800-289753

Katun Benelux B.V.

Telephone: 31 (0) 183-696969

Katun Germany GmbH

Telefon: 02131/34 46-0

Katun France S.A.R.L.

Numéro Vert: 0800-909-555

Katun Italy s.r.l.

Telefono: +39-02-414-99-71

Katun Spain S.A.

Teléfono: 91-676-45-51

Katun Portugal S.A.

Telefone: 21-499 8960

Katun Sweden AB

Telefon: +46 0300-515-50

Katun Mexico S.A. de C.V.

Llame sin costo al: 01-800-112-5886

Katun Singapore Pte Ltd

Telephone: (65) 6788-3350

Katun Argentina s.r.l.

Teléfono: 54 (11) 4103-9200

Katun Brasil Ltda.

Telefone: (5511) 3647-3270

Katun (Australia) Corporation Pty Limited

Telephone: 1800 998 826

For the most current feed component cross-reference information, visit

www.katun.com/resourcecenter/feedcompguide.html