

FEIN Turbo Vac II

9-55-13 / 9-55-13PE

Operating Instructions



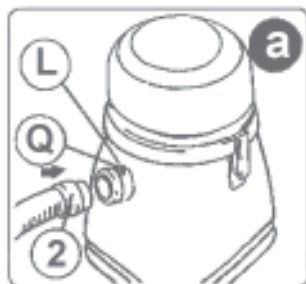
ATTENTION: READ BEFORE USING

- Make sure that the voltage nameplate of the device corresponds to the voltage of your network. The plug has to be protected with a minimum of 15 Amps.
IMPORTANT! THE VACUUM CLEANER IS SUPPLIED FROM THE FACTORY WITH A SUPPLY CABLE WITH A GROUNDED PLUG. IT MUST ONLY BE CONNECTED TO AN APPROVED GROUNDED SOCKET.
- Before performing any maintenance work, unplug the vacuum from the outlet.
- **WARNING! EXPLOSION AND FIRE HAZARD!** Never vacuum flammable fluids or gas, oil, alcohol, solvents, etc. Do not operate near flammable fluids or gas. Never vacuum warm fluids or materials at more than 140° Fahrenheit (60° Celsius), such as burning cigarettes, ashes, glowing coals, etc.
- **WARNING! DO NOT VACUUM HAZARDOUS/CARCINOGENIC DUST UNLESS THE OPTIONAL HEPA FILTER IS INSTALLED.**
- Do not pull the vac by the cable and do not damage the insulation on the cable. If the cable is damaged, it must be replaced immediately.
- Always keep the filter cartridge clean so the vacuum cleaner operates properly.

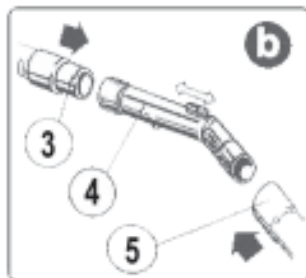
ASSEMBLY INSTRUCTIONS



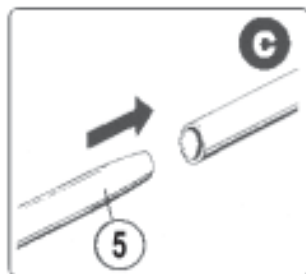
To attach the wheels, press the wheel posts into the four holes provided.



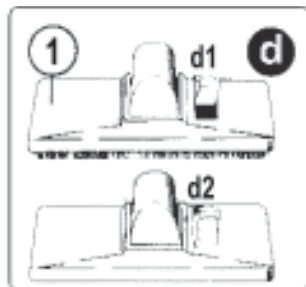
a) Connect the vacuum end of hose (2) to the receptacle (Q) by pressing in. In order to remove the hose, press button (L) on receptacle and pull the hose out simultaneously.



b) Connect the handle (4) with the hose end (3) by pressing in. The handle is provided with a suction force reducing device. Turn in the direction of the arrow. In order to get full suction pressure, keep the regulating device closed.



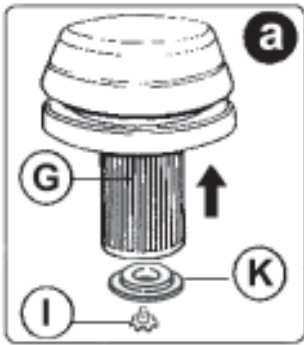
c) Tube extension pieces (5) and accessories can be connected by pressure. For disassembling, slightly turn both parts and draw apart.



d) To use the optional combination attachment (1) for hard floors in PVC, linoleum, stone, etc. press the switch button with your foot, so that the bristles emerge (d1). For carpets, the bristles have to be retracted (d2).

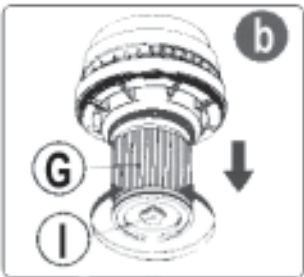
SUCTION OF DRY DUST AND DIRT

The cloth filter that came with your FEIN Turbo II will contain extracted dust 5.0 microns in size and larger. If picking up fine dust, you will need to use a pleated filter cartridge and paper bag, which can be purchased as a (FBK) kit or a (FBK-HEPA) kit for hazardous dust vacuuming. (see page 6 for kit contents).

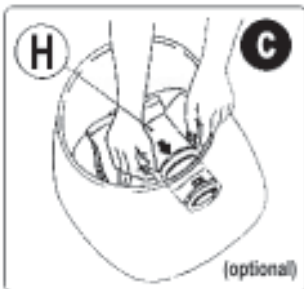


a) To install the optional filter cartridge (G) place the turn screw (I) inside the flange (K). Place the filter cartridge on the float cage then put the flange assembly on the bottom of the filter. Turn the screw quarter turn to lock the filter on.

b) In order to remove the filter cartridge turn the screw (I) quarter turn counterclockwise and pull out the filter cartridge.



Do not use vacuum without a filter. Use the cloth filter that came with your vacuum, or a pleated filter. Do not use both at the same time. Failure to use a filter when dry vacuum cleaning will damage the motor. NEVER USE VACUUM CLEANER WITH A WET FILTER CARTRIDGE FOR DRY VACUUM CLEANING. It quickly becomes clogged and unusable.

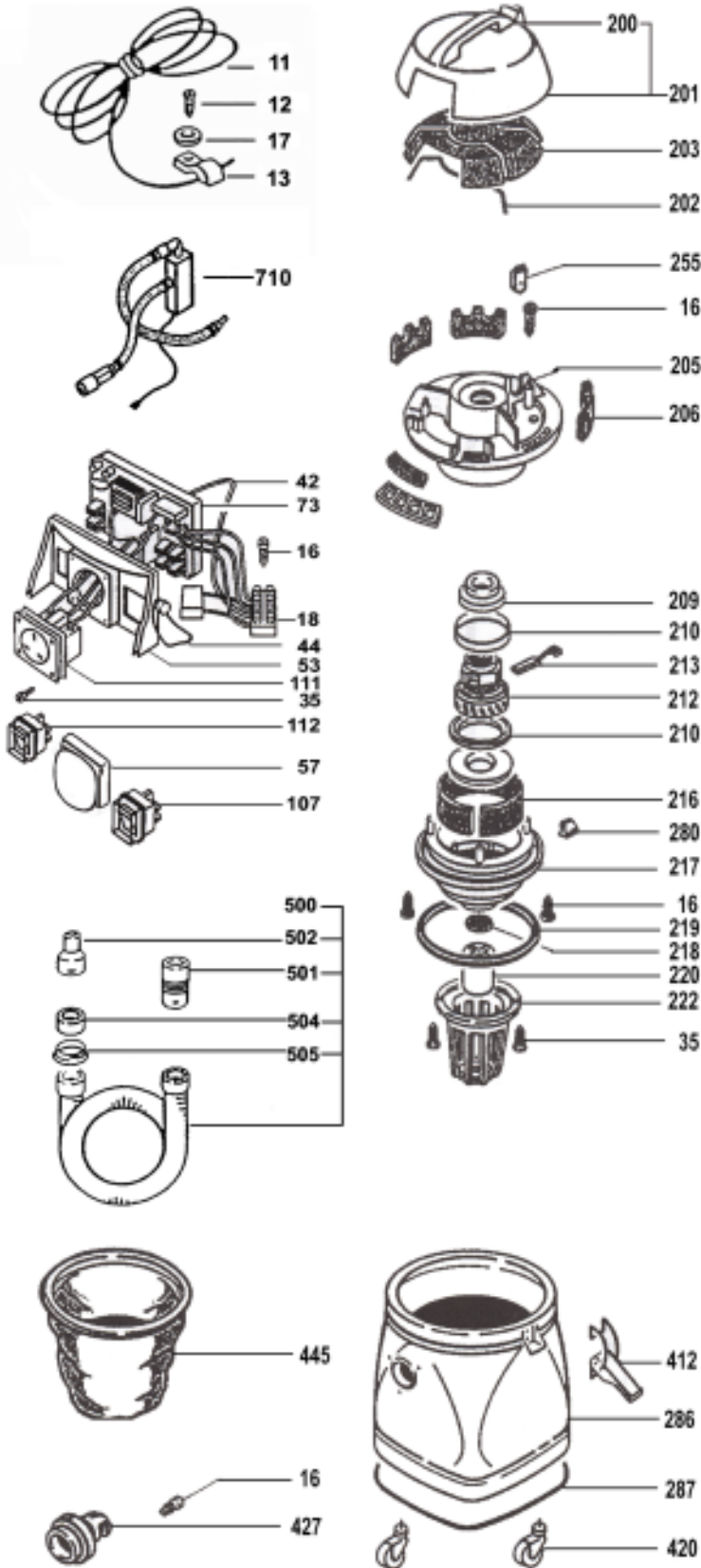


c) Fix the optional paper dust bag (H) to the inner side of the tube-connection in the receptacle: fig.c. and d. When using this paper dust bag the dirt can be removed more hygienically and the life of the filter cartridge will be increased. The paper dust bag (H) should be used with the filter cartridge; it should NEVER be used by itself or with the cloth filter.

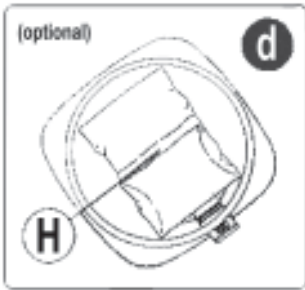
(continue on page 5)

9-55-13 / 9-55-13PE TURBO II VAC

ITEM #	DESCRIPTION	PART NUMBER
11	POWER CORD SET	3-07-05-065-99-9
12	SCREW	901A11A89
13	CABLE CLAMP	101035K00
16	SCREW	901A19A89
17	WASHER	901D07AG87
18	TERMINAL BLOCK	905217000
35	SCREW	901A16A89
42	CABLE	905391000
44	BUNGEE	920056000
53	FACE PLATE	521006K13
57	RECEPTACLE COVER	905278K15
73	AUTO START SWITCH	905331R00
	AUTO START SWITCH (9-55-13PE)	905490A000
107	SWITCH (ON/OFF)	905306000
111	RECEPTACLE	905398K13
112	SWITCH (MANUAL / AUTO)(WIDE)	905307A000
200	TOP HANDLE	521049AK50
201	COVER WITH HANDLE	521049B50
202	COVER GASKET	920021B00
203	COVER SOUNDPROOFING	902033000
205	COVER BAFFLE	521002K13
206	SIDE SOUNDPROOFING	902048000
209	MOTOR GASKET - 110 VOLT	920042000
210	CHAMBER MOTOR GASKET	920039000
211	MOTOR SOUNDPROOFING	902043000
212	MOTOR - 110 VOLT	918M5602U
213	CARBON BRUSHES (2)	905317G02
216	MOTOR SOUNDPROOFING	902036000
217	MOTOR COVER	521003K13
218	MOTOR FILTER	902032A00
219	GASKET - 110 VOLT	920038000
220	FLOAT	521010K00
222	FLOAT CAGE	521007K13
255	PLUG	920060000
280	PLUG	920065000
286	CONTAINER	521052K50
287	BUMPER	524301B15
412	LOCK LEVER	525002089
420	SWIVEL WHEELS	521047K41
427	HOSE RECEPTACLE	521016A13
445	CLOTH FILTER	913064AGA6
500	16' HOSE	921049GN1
	16' HOSE (9-55-13PE)	921159AK30
501	SLEEVE - VACUUM END	921047K13
502	SLEEVE - TOOL END	921048K13
504	CONNECTOR RING	919067K13
505	RING - HOSE	919066A13
710	PNEUMATIC VALVE (9-55-13PE)	918V01A001

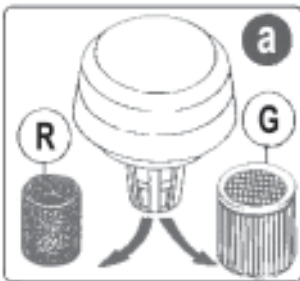


SUCTION OF DRY DUST AND DIRT (continued)

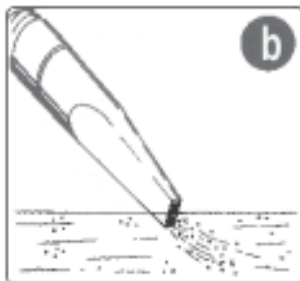


ATTENTION: If suction pressure decreases, replace the paper dust bag (H) with a new one. From time to time the filter cartridge (G) should be cleaned with a soft brush, ensuring longer life and higher performance.

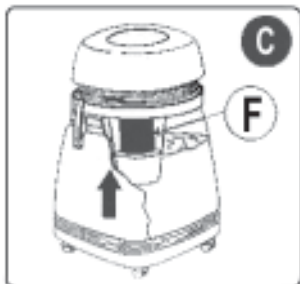
SUCTION OF FLUIDS



a) First, remove any dirt and dust residue from previous cleaning operations from the container. Remove the cloth filter or the cartridge filter (G) and replace it with the anti-foam filter (R). **DO NOT USE THE CLOTH FILTER, THE CARTRIDGE FILTER OR THE PAPER DUST BAG DURING THE SUCTION OF FLUIDS.**

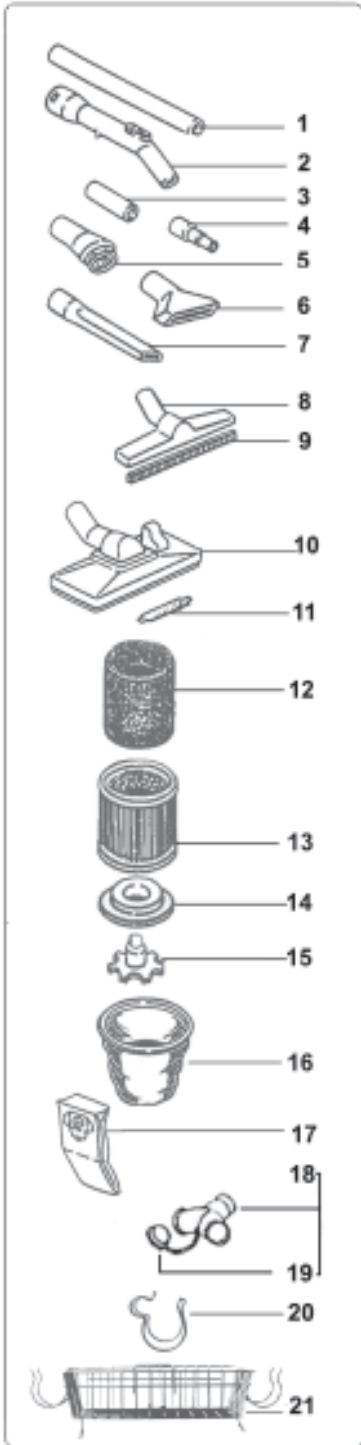


b) In order to guarantee enough air flow, it is recommended that accessories not be completely immersed into the fluids.



c) When the fluids have reached the highest permitted level in the tank, the float regulator (F) automatically blocks suction and the motor gets noisier. Switch the vacuum off **IMMEDIATELY**, pull out the plug, remove the suction head from the tank and empty the tank.

9-55-13 / 9-55-13PE TURBO II VAC ACCESSORIES



<u>Item</u>	<u>Part Number</u>	<u>Description</u>
1	919036B94	Extension tube-chrome
2	921067A13	Handle
3	921069A13	Adaptor
4	921072K13	Step adaptor
5	919001A13	Brush
6	919003K13	Upholstery nozzle
7	919007K13	Crevice tool
8	921051A13	Wet brush
9	921056000	Rubber strip
10	919064B13	Floor brush with rollers
11	919043R14	Thread pick for brush
12	90204200	Anti-foam filter
13	TII1MCRN	1Micron filter
	TIIHEPA	Hepa filter 0.3 microns
14	TII3002	Flange filter
15	TII3001	Turn screw-filter
16	913064AGA6	Cloth filter
17	913036K01	Paper dust bag- 3 pack
18	921086AA13	Y connector with cap
19	921087AK13	Y cap
20	3916054A089	Hose cradle
21	526300AA13	Basket and strap
Kits: FBK		TII1MCRN 1 Micron pleated filter
consists		913036A01 Paper dust bag
of 1 each		TII3002 Filter flange
		TII3001 Flange turn screw
FBK-HEPA		TIIHEPA Hepa pleated filter
consists		913049A01 Hepa dust bag
of 1 each		TII3002 Filter flange
		TII3001 Flange turn screw
DW1		(2) 919036B94 Extension tube
consists		921067A13 Handle
of 1 each		919007K13 Crevice tool
		902042000 Anti-foam filter
		919001A13 Brush
		921051A13 Wet floor brush
		919003K13 Upholstery Nozzle
		919064B13 Floor brush

MAINTENANCE

After every use:

- Empty the tank (dirt, dust, and fluids).
 - Never leave fluids in the tank. This could cause damage to the tank.
 - After vacuuming fluids, it is necessary to dry extension pieces, tube and motor parts by running the vacuum a few minutes, **after having emptied the tank.**
 - Always keep a reserve of paper dust bags and filter cartridges, so that the vacuum is always ready for use.
-

FEIN Power Tools Inc.

1030 Alcon Street
Pittsburgh, PA 15220
(800) 441-9878



REV. 06-15-06