



FINISHES & CAPABILITIES

Better, Stronger, Faster

FABCON PRECAST PRACTICALLY INVENTED STRUCTURAL PRECAST WALL PANELS BACK IN 1971. SINCE THEN WE'VE REINVENTED THEM AT LEAST TWICE.

We appreciate your interest in Fabcon Precast. We've assembled this guide to help you understand exactly what you can do with Fabcon Precast panels and how we're prepared to help you get it done. Your Sales Engineer is an expert in all things precast and can be especially instrumental in helping you get started with your next project. If at any time you have questions, we encourage you to reach out your Fabcon Sales Engineer.

If you are not currently working with a Fabcon Sales Engineer, call (800) 727-4444 and we'll make sure you're taken care of.

<i>About Fabcon</i>	4
<i>Panel Options</i>	8
<i>Pigment Guide</i>	11
<i>Exterior Finishes</i>	15
<i>Interior Finishes</i>	57
<i>Precast Versatility</i>	60
<i>Natural Imperfections in Precast</i>	62



Pigments

Pg.

11



Finishes

Pg.

15



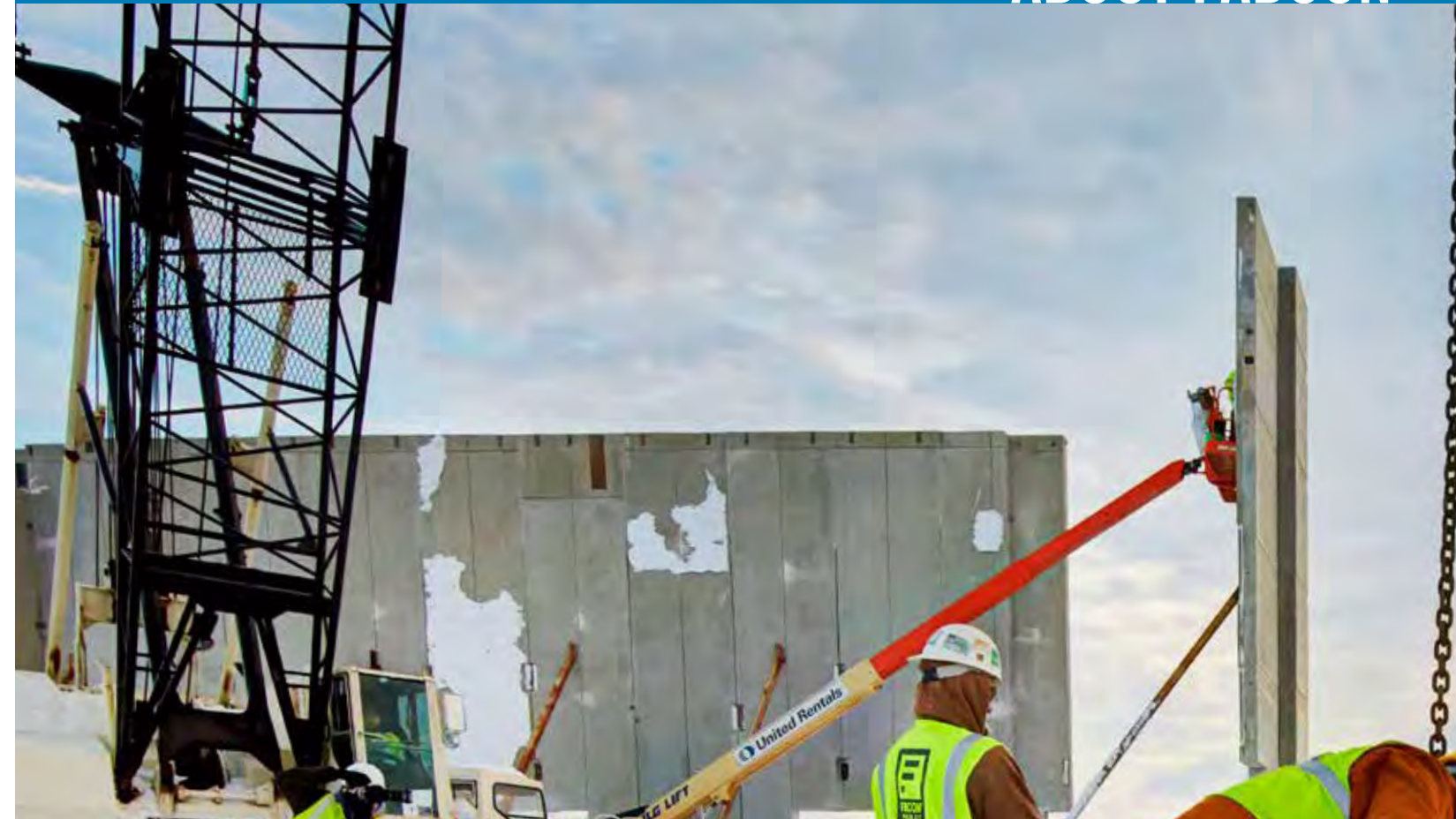
Versatility

Pg.

57

WHEN WE SAY *BETTER, STRONGER, FASTER* WE'RE TALKING ABOUT MORE THAN JUST OUR PANELS.

There's a lot more to Fabcon's value proposition than a great precast panel. The truth is Fabcon can begin adding value at even the very earliest stages of your project. Fabcon's complete vertical integration of services starts with predesign consultation and literally spans every subsequent step of the construction cycle up until the doors open. Whether you've done hundreds of projects or you're incorporating a precast building envelope for the first time, our early involvement can create efficiencies right from the word **GO!**



ENGINEERING

Fabcon's structural plans are designed to meet demanding loads without the added time and cost of other construction methods. Fabcon's engineering and drafting departments partner closely with your structural team to ensure that our panels match the specifications of your project. Our engineering plans interface directly with our automated manufacturing process to ensure openings, connections, and finishes all meet MNL-116 and 117 quality tolerances. The material savings and the production efficiencies pay dividends throughout the construction cycle.



MANUFACTURING

Our ISO-9000 and PCI certified manufacturing facilities and decades of expertise enable us to deliver a broad offering of load-bearing building envelope solutions and architectural finishes. Fabcon's manufacturing and quality technicians are dedicated to continuous improvement throughout every phase of production. Each year, in all of our plants, Fabcon invests in equipment and automation innovations designed to meet the growing needs of our customers. And above all, safety is our #1 priority.



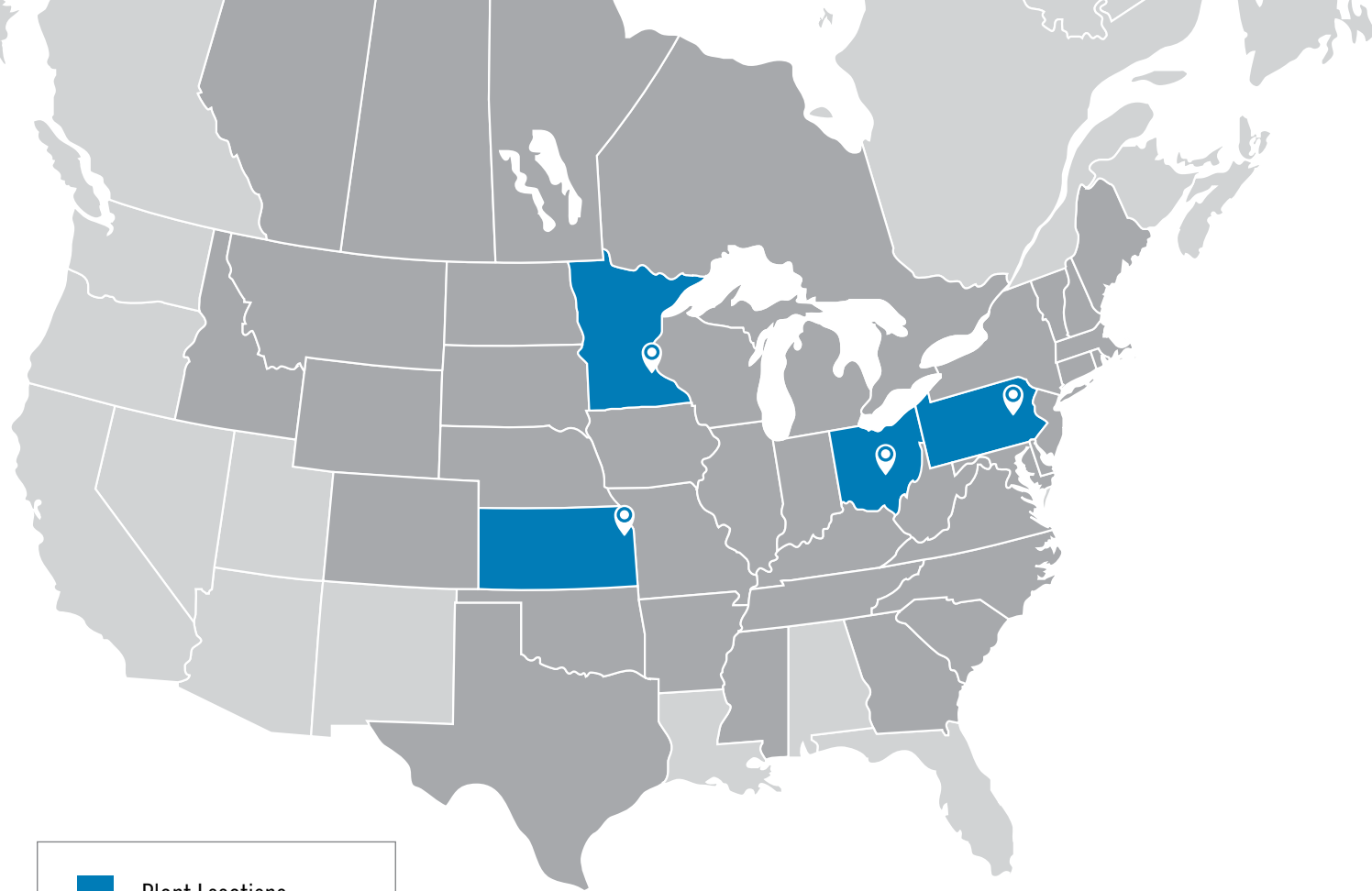
LOGISTICS

So much more than loading and hauling. Fabcon's yard, transfer, and field operations are pivotal to the success of your project. Yard operations go well beyond storage to include additional quality inspections, finish treatments, as well as delivery sequencing of panels to ensure your building is erected in the quickest manner. Our preconstruction experts will create an on-site delivery and staging strategy so site operations flow smoothly. Fabcon's integrated approach guarantees quality while saving time and reducing cost.



INSTALLATION

Fabcon's 30 crews of PCI Certified Erectors are expertly trained and laser focused. The majority of our field foremen have worked for us for over 20 years. Their experience and leadership enable crews to set 20-35 panels per day on average. Installation methods are matched to the specifications of the building foundation and structural design and may be free-standing, temporary shore, or permanent steel. From panel design to installation, Fabcon's integrated approach ensures that efficiency and value are built into every project, regardless of its size.



■ Plant Locations
■ Project Locations

OUR FOUR LOCATIONS MEAN YOU HAVE OPTIONS.



Our strategically placed manufacturing facilities give Fabcon Precast an effective span of delivery that includes most everything east of the Rockies and north of the Gulf Coast. Fabcon has delivered and installed our product in 32 states, 4 provinces, and the District of Columbia. Each of our plants is a precisely-controlled environment built to ensure proper curing and consistency. Most panel designs can be produced in thicknesses of 8", 10", and 12", enabling you to right-size the thermal performance of your structure. Each location is staffed to design, manufacture, and install our wall panels, including the connections. By working closely with architects, general contractors, and structural engineers early in the process, Fabcon's involvement can help create efficiencies that save everyone time and money.

	MN SAVAGE	OH GROVE CITY	PA MAHANAY CITY	KS PLEASANTON
Established	1971	1985	2001	2015
Size	126,244 ft ²	118,217 ft ²	97,030 ft ²	30,175 ft ²
MNL-117	YES	YES	YES	NO
Beds	4: 8' x 680' 1: 12' x 800'	2: 8' x 800' 1: 12' x 320'	2: 8' x 800' 2: 13.5' x 300'	2: 12' x 257'



RuB | SHAKOPEE, MN



Magnanni | NEW ALBANY, OH

IN JUST YOUR COLOR.

Explore the limitless color options of Fabcon Precast.

Fabcon panels give you a broad range of color options through the use of pigments and aggregates, but sometimes you need something more. Something specific. Several panel finishes, such as steel form, provide the perfect substrate for paint. Talk to your sales engineer about the benefits and challenges of painted precast panels.



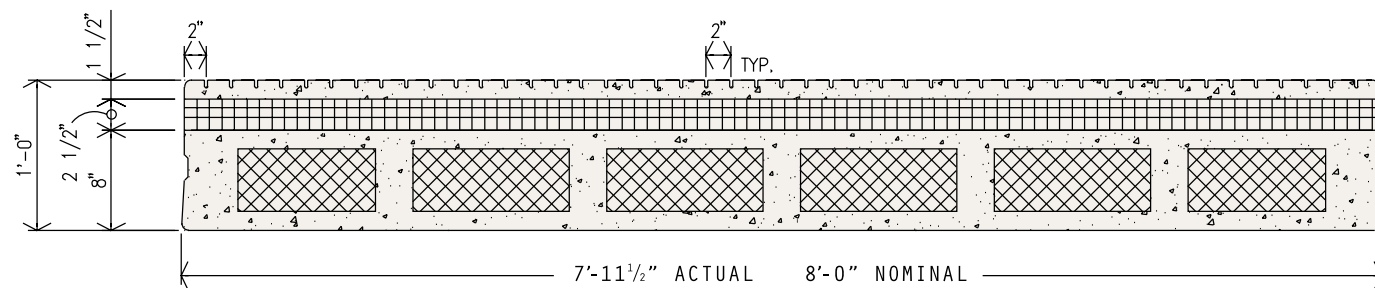
Shutterfly | SHAKOPEE, MN

EXTERIOR FINISHES

 **FABCON**
PRECAST

STANDARD RAKE EXPOSED AGGREGATE

Vertical rakes are created on the top face of the panels during the casting process and a chemical retarder applied to slow the hydration in the top layer of concrete. A proprietary washing process exposes the aggregate in the finish creating a permanent color from the natural stone. This method allows for the steel form finish to be to the interior of the building. The standard rake finish creates vertical striations 2" on center, which results in a general vertical finish and de-emphasizes the caulk joints.

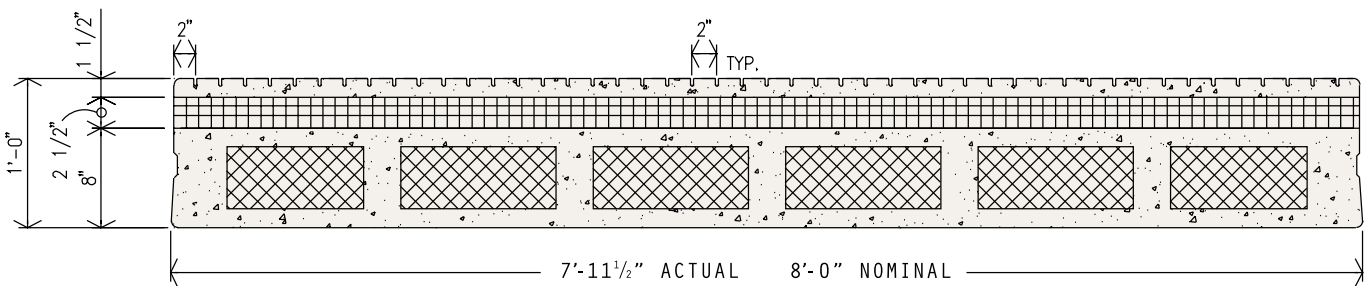


▲ Northfield Police Station

- Standard Rake
- Flat Exposed Band

STANDARD RAKE NON-EXPOSED

Rake finishes are created on the top face of the panels during the casting process. This method allows for the steel form finish to be to the interior of the building. The standard rake finish creates vertical striations 2" on center, which results in a general vertical finish and de-emphasizes the caulk joints.

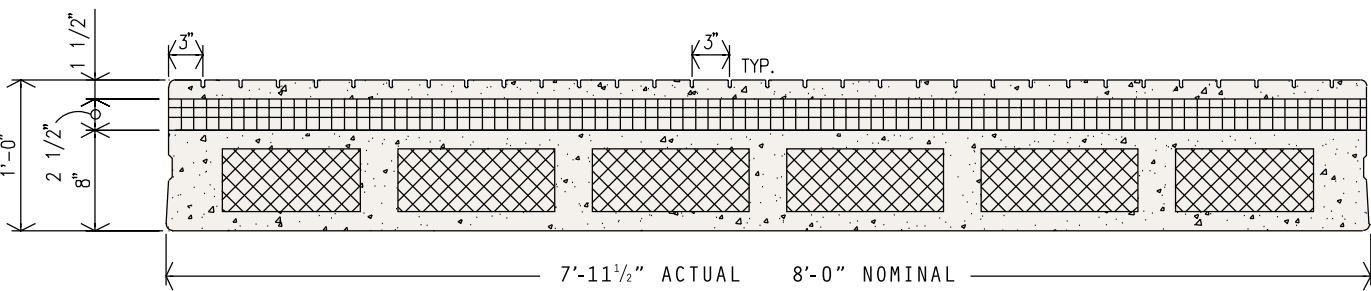


▲ **Our Lady of Lourdes School**

- Standard Rake Non-Exposed

WIDE RAKE EXPOSED AGGREGATE

Rake finishes are created on the top face of the panels during the casting process. This method allows for the steel form finish to be to the interior of the building. The wide rake finish creates vertical striations 3" on center, which results in a general vertical finish and accentuates the caulk joints.



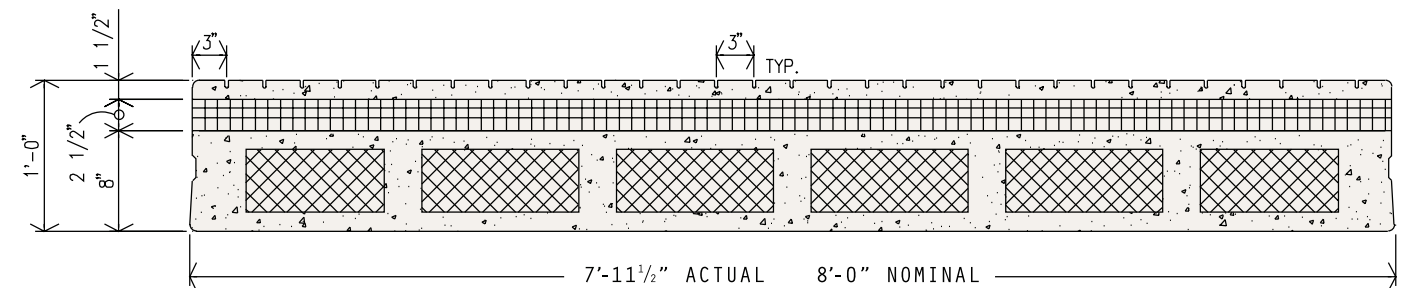
- ▲ Shakopee Area Catholic School
- Wide Rake Exposed



Menards – Wide Rake, Troweled Band (Painted)

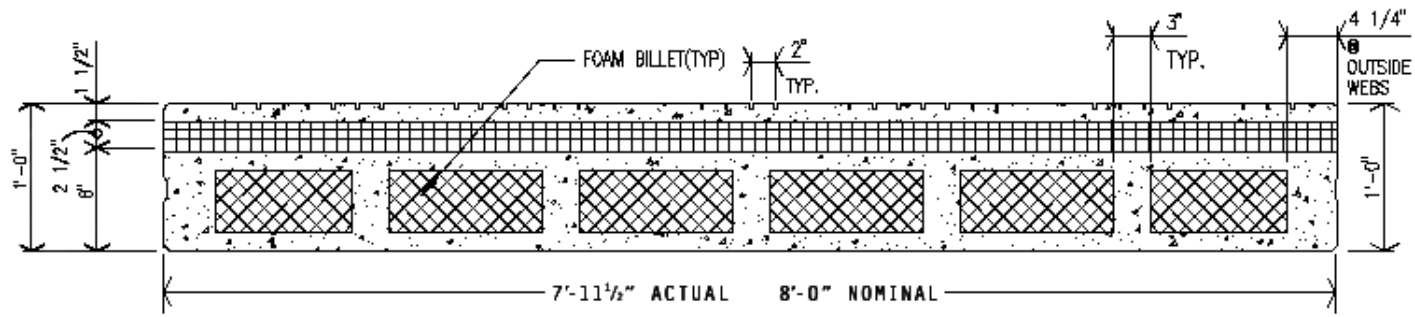
WIDE RAKE NON-EXPOSED

Rake finishes are created on the top face of the panels during the casting process. This method allows for the steel form finish to be to the interior of the building. The wide rake finish creates vertical striations 3" on center which results in a general vertical finish and accentuates the caulk joints.



RANDOM RAKE EXPOSED AGGREGATE

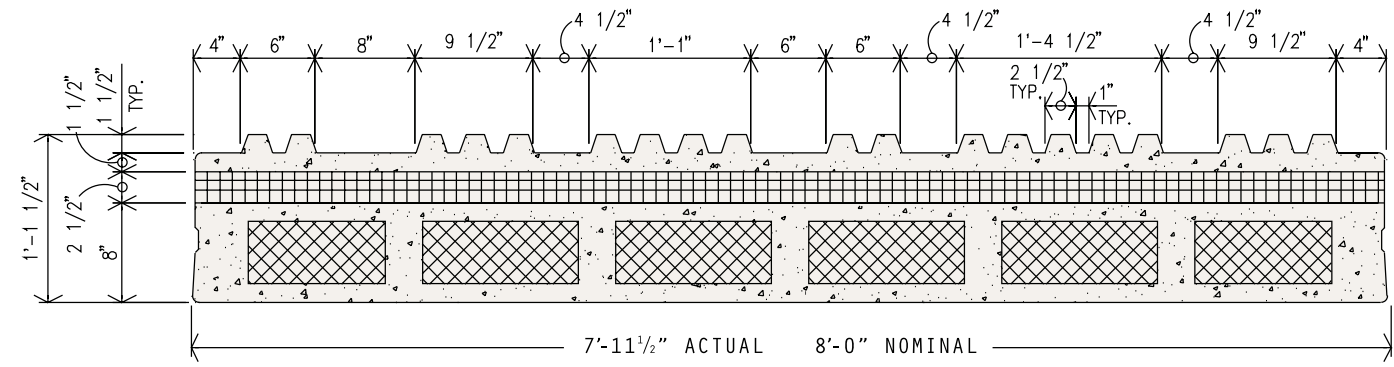
Vertical rakes are created in the top face of the panels during the casting process and a chemical retarder is applied to slow the hydration in the top face layer of concrete. A proprietary washing process exposes the aggregate, creating a permanent color from the natural stone. This method allows for the steel form finish to be to the interior of the building. The random rake finish creates vertical striations of varying widths on center which results in a general vertical finish and de-emphasizes the caulk joints.



- ▲ Xccent
- Random Rake
- Troweled Band

RANDOM RIB EXPOSED AGGREGATE

Tapered vertical ribs, 2.5" at the base and 1.5" in height, are extruded onto the top finish of the wall panels during the casting process and a chemical retarder applied to slow the hydration in the top layer of concrete. A proprietary washing process exposes the aggregate in the finish, creating a permanent color from the natural stone. This allows the steel form side of the panel to be to the interior of the building. Varying the width of the flat area between ribs creates a random vertical finish, de-emphasizing the caulk joints.

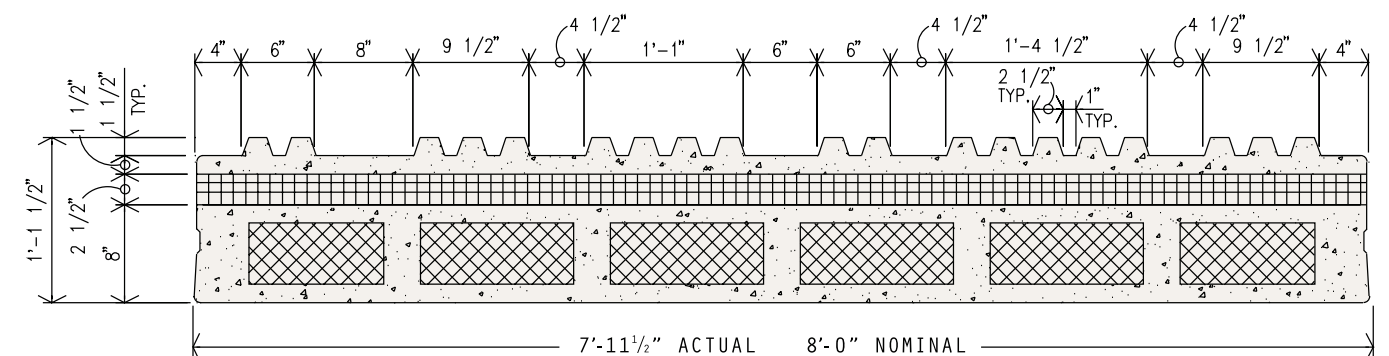


- ▲ **Mills Fleet Farm**
- Random Rib Exposed
 - Uniform High Rib
 - Flat Exposed Band



RANDOM RIB NON-EXPOSED

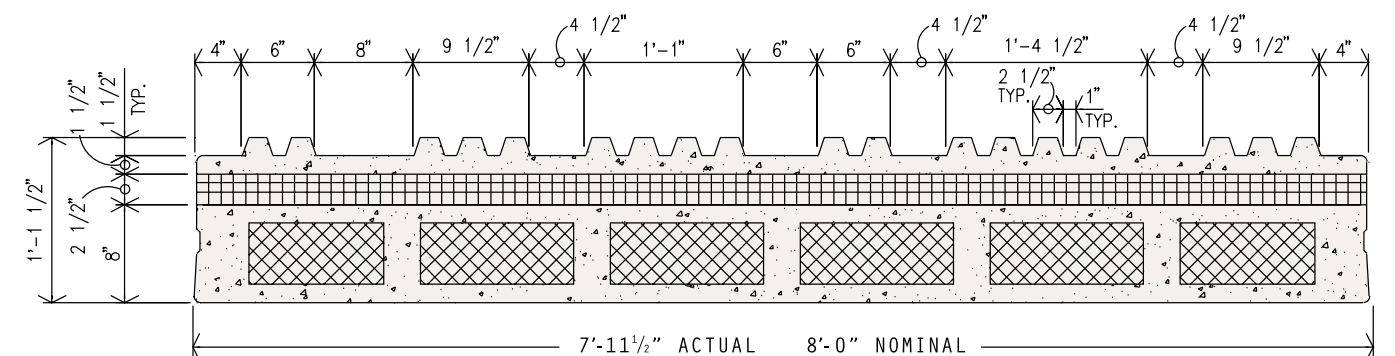
Tapered vertical ribs, 2.5" at the base and 1.5" in height, are extruded onto the top finish of the wall panels during the casting process allowing the steel form side of the panel to be to the interior of the building. Varying the width of the flat area between ribs creates a random vertical finish tends to de-emphasize the caulk joints.





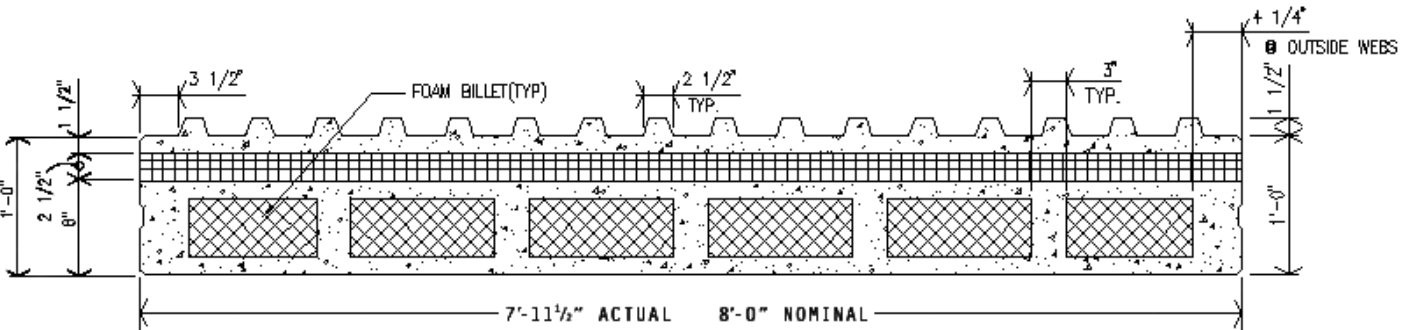
RANDOM LOW RIB

Tapered vertical ribs, 2.5" at the base and .75" in height, are extruded onto the top finish of the wall panels during the casting process allowing the steel form side of the panel to be to the interior of the building. Varying the width of the flat area between ribs creates a random vertical finish tends to de-emphasize the caulk joints.



UNIFORM RIB EXPOSED AGGREGATE

Tapered vertical ribs, 2.5" at the base and 1.5" in height, are extruded onto the top finish of the wall panels during the casting and a chemical process allowing the steel form side of the panel to be to the interior of the building. A 3.25" flat area between ribs creates a symmetrical vertical finish, which emphasizes the caulk joints.



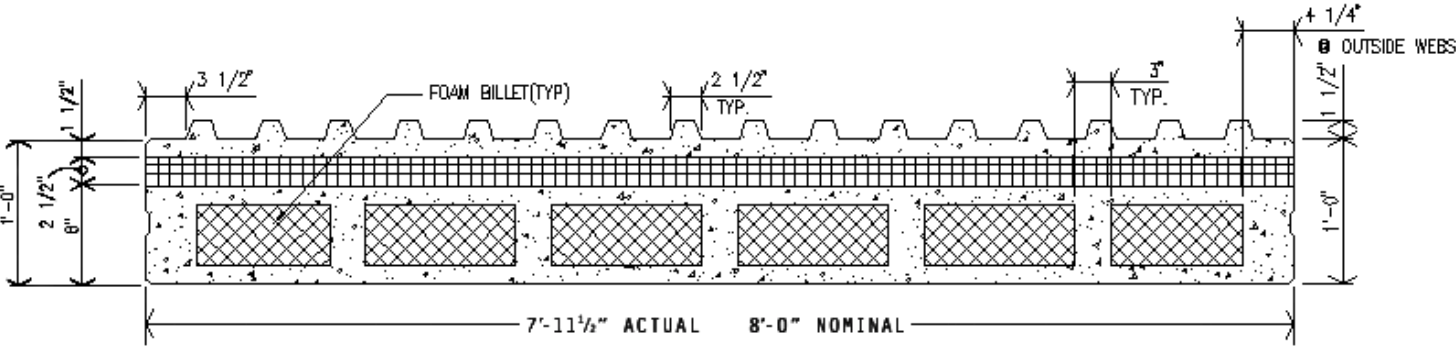
▲ Itasca YMCA

- Uniform Rib Exposed
- Troweled Bands



UNIFORM RIB NON-EXPOSED

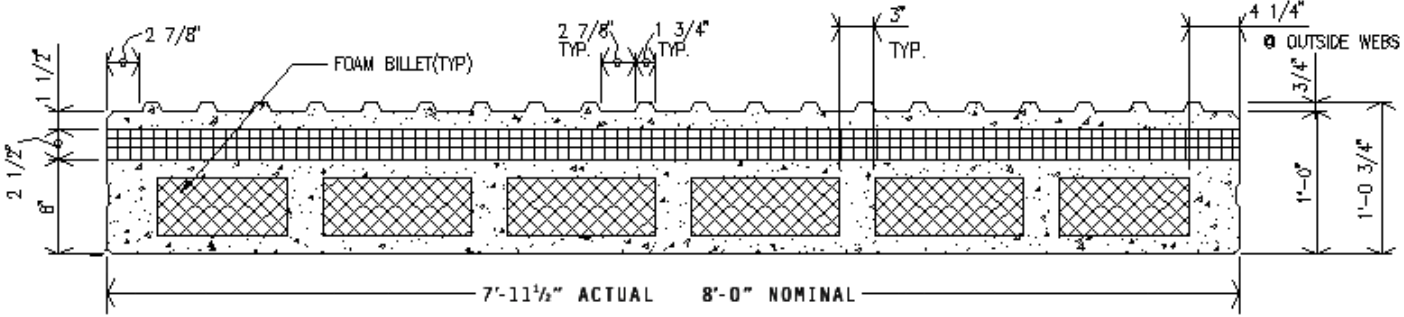
Tapered vertical ribs, 2.5" at the base and 1.5" in height, are extruded onto the top finish of the wall panels during the casting process. This allows the steel form side of the panel to be to the interior of the building. A 3.25" flat area between ribs creates a symmetrical vertical finish, which emphasizes the caulk joints.





UNIFORM LOW-RIB EXPOSED AGGREGATE

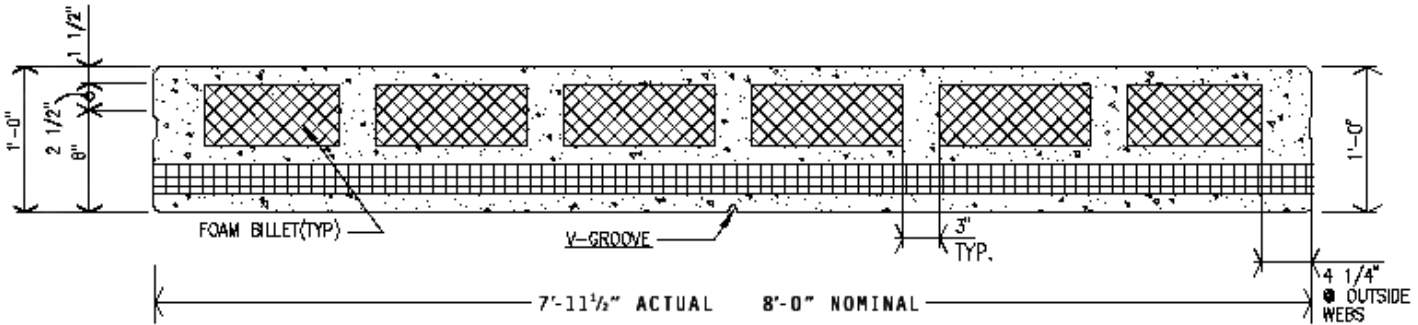
Tapered vertical ribs, 2.5" at the base and .75" in height, are extruded onto the top finish of the wall panels during the casting process and a chemical retarder applied to slow the hydration in the top layer of concrete. A proprietary washing process exposes the aggregate in the finish creating a permanent color from the natural stone. This allows the steel form side of the panel to be to the interior of the building. A flat area between ribs creates a symmetrical vertical finish, which emphasizes the caulk joints.



Great Wolf Lodge – Exposed and painted aggregate

STEEL FORM

The steel form finish is the surface cast against the form. The process creates a flat, smooth surface which may contain small bug holes or reflect imperfections in the forms. A steel form finish to the exterior results in an interior finish surface that may be broomed or different levels of troweled finishes. Please consult your sales engineer.

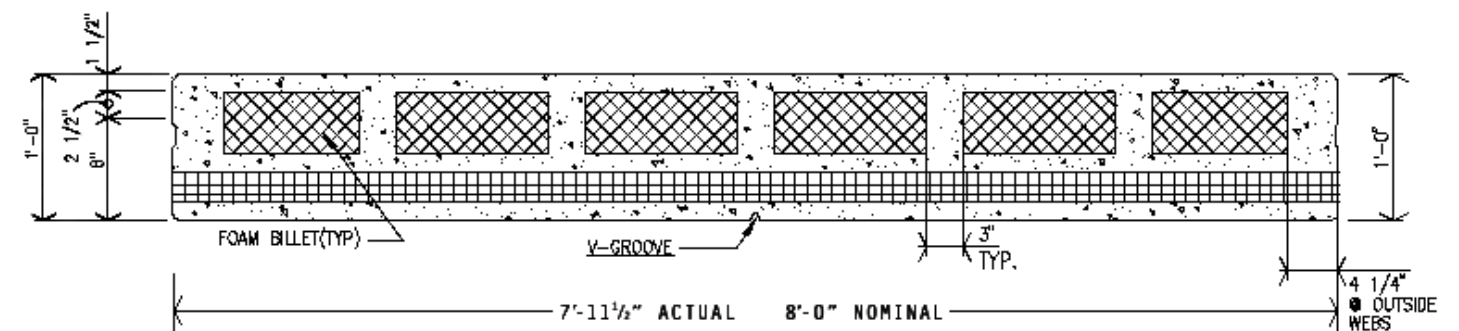


- ▲ RuB
- Steel Form Finish
- Painted with Cast-in Reveals



STEEL FORM WITH CAST-IN REVEALS

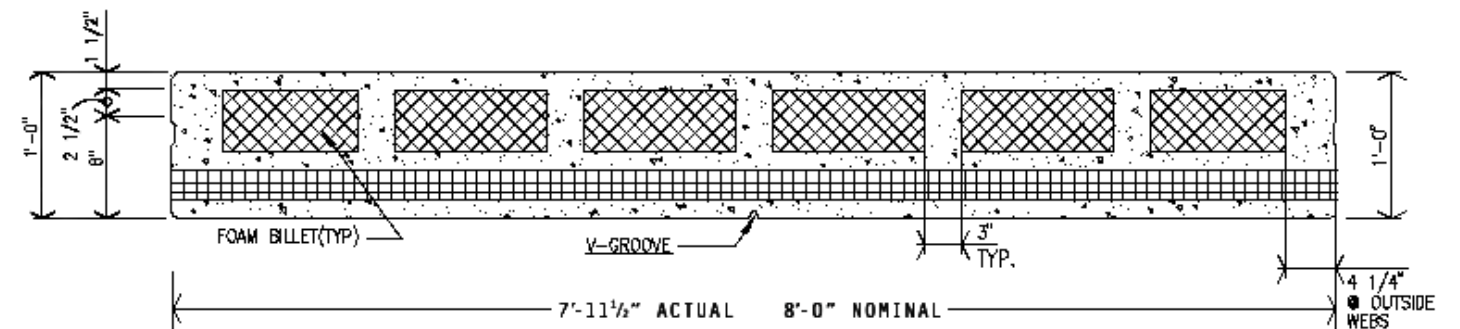
The steel form finish is the surface cast against the form. The process creates a flat, smooth surface which may contain small bug holes or reflect imperfections in the forms. A steel form finish to the exterior results in an interior finish surface that may be broomed or different levels of troweled finishes. Please consult your sales engineer.





FORMSIDE EXPOSED AGGREGATE

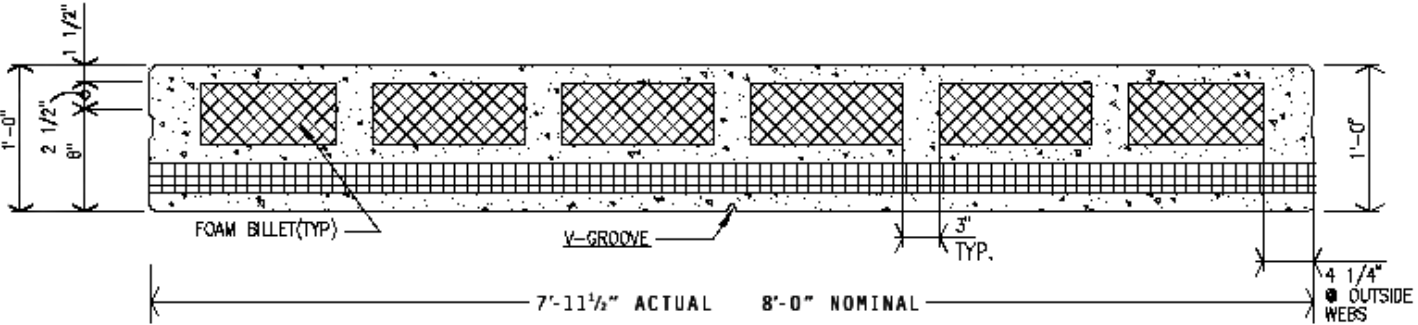
Formside Exposed is a variation of the steel form finish where a chemical retarder is applied to the form side of the panel, slowing the surface hydration. The panel undergoes a proprietary cleaning process, which exposes the natural color of the integral aggregate. When the form side of the panel is to the exterior of building as with a steel form or formside exposed finish, the top surface of the panel (as cast) becomes the interior surface. This interior finish is available in a broom finish or one of the various levels of trowel finishes. Please consult your sales engineer.



Turck – Formside Exposed Aggregate with Non-Exposed Reveals, White Silica Sand and 100% White Cement

CAST-IN BRICK WITH SANDBLAST FINISH

A wide variety of cast-in brick colors and patterns are available. Please consult your sales engineer. Casting thin-brick into Fabcon wall panels eliminates the need to tuck-point the brick, thereby reducing project life-cycle cost. Casting bricks into panels, as with all our finishes, is done in a tightly controlled environment; this process eliminates the waste and site disruption of field-applied brick finishes. This finish results in the interior surface which may be broomed or different levels of troweled finishes. Please consult your sales engineer.



▲ The Lock Up

- Cast-in Brick
- Formside Sandblast Finish

IMPRINT

The imprint finish is applied to the top of the face of the panels during the casting process. The imprint is available in a variety of patterns (to simulate block, stack stone and brick) and combinations. Please consult your sales engineer for options. This finish allows the steel form surface to be to the interior of the building.



▲ Menards

- Imprint Finish
- Running Bond

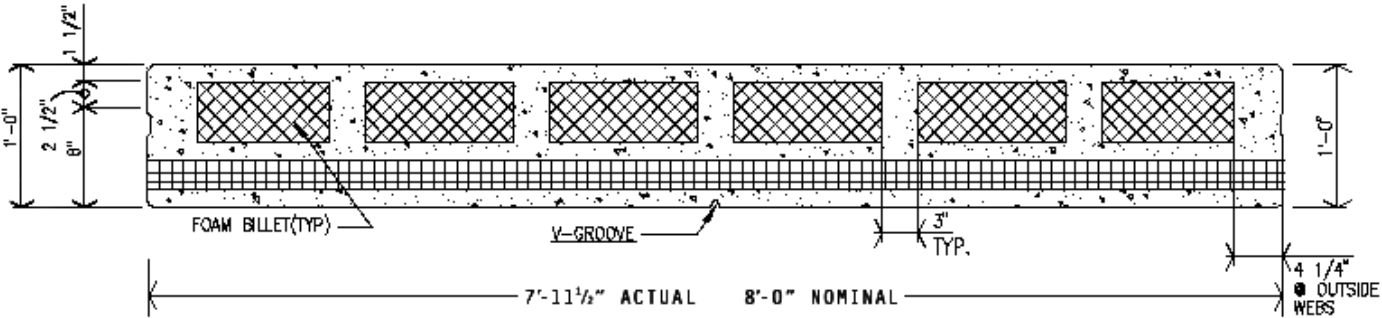
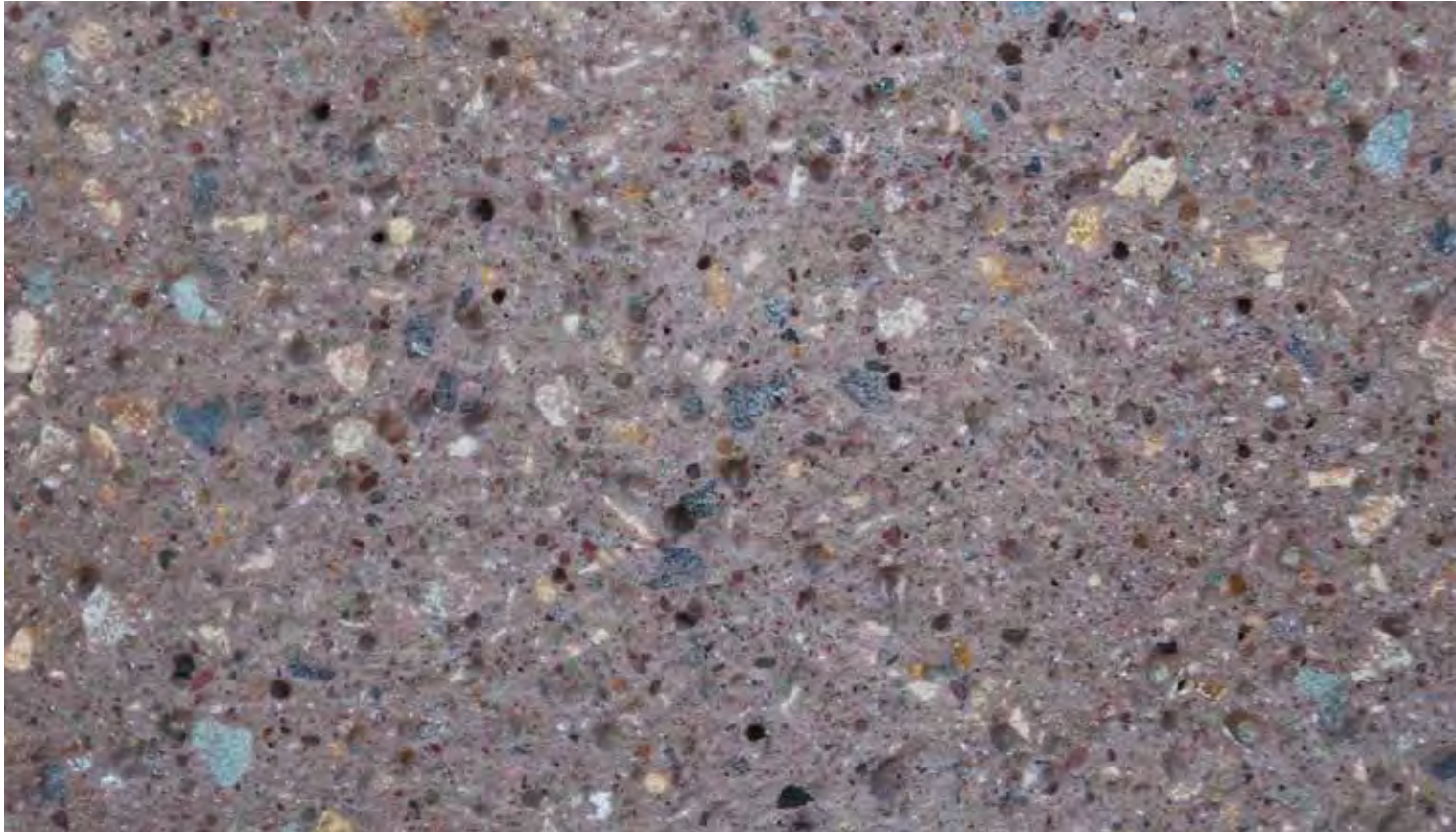
▲ Luther Aquatics

- Imprint Finish (Painted)
- 8" and 12" Imprint Accents



LIGHT SANDBLAST

Light sandblast is the least aggressive abrasion type finish. Occasionally referred to as “brush-blast,” this finish removes a minimal amount of matrix resulting in a “sandpaper” finish. The amount of aggregate exposed is minimal; due to the natural components used the color and texture will vary. Combination of different levels of sandblasting in conjunction with other casting accents yield dramatic and creative finish options.

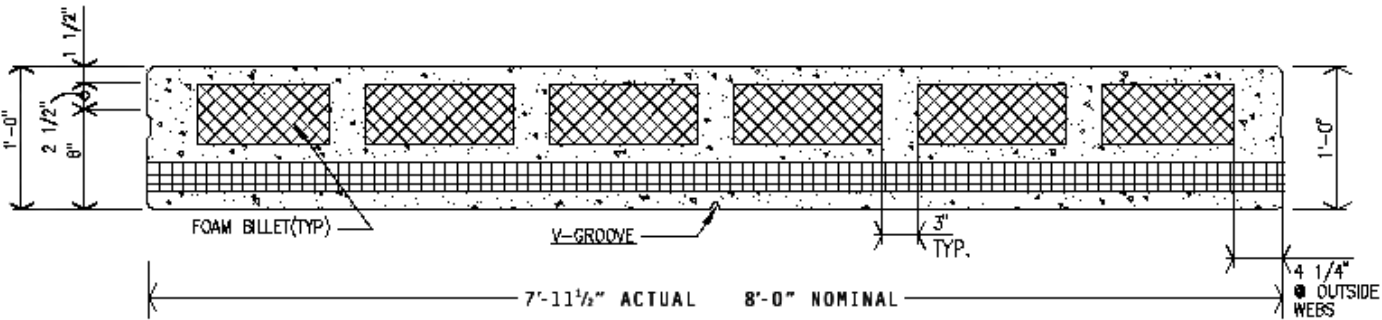
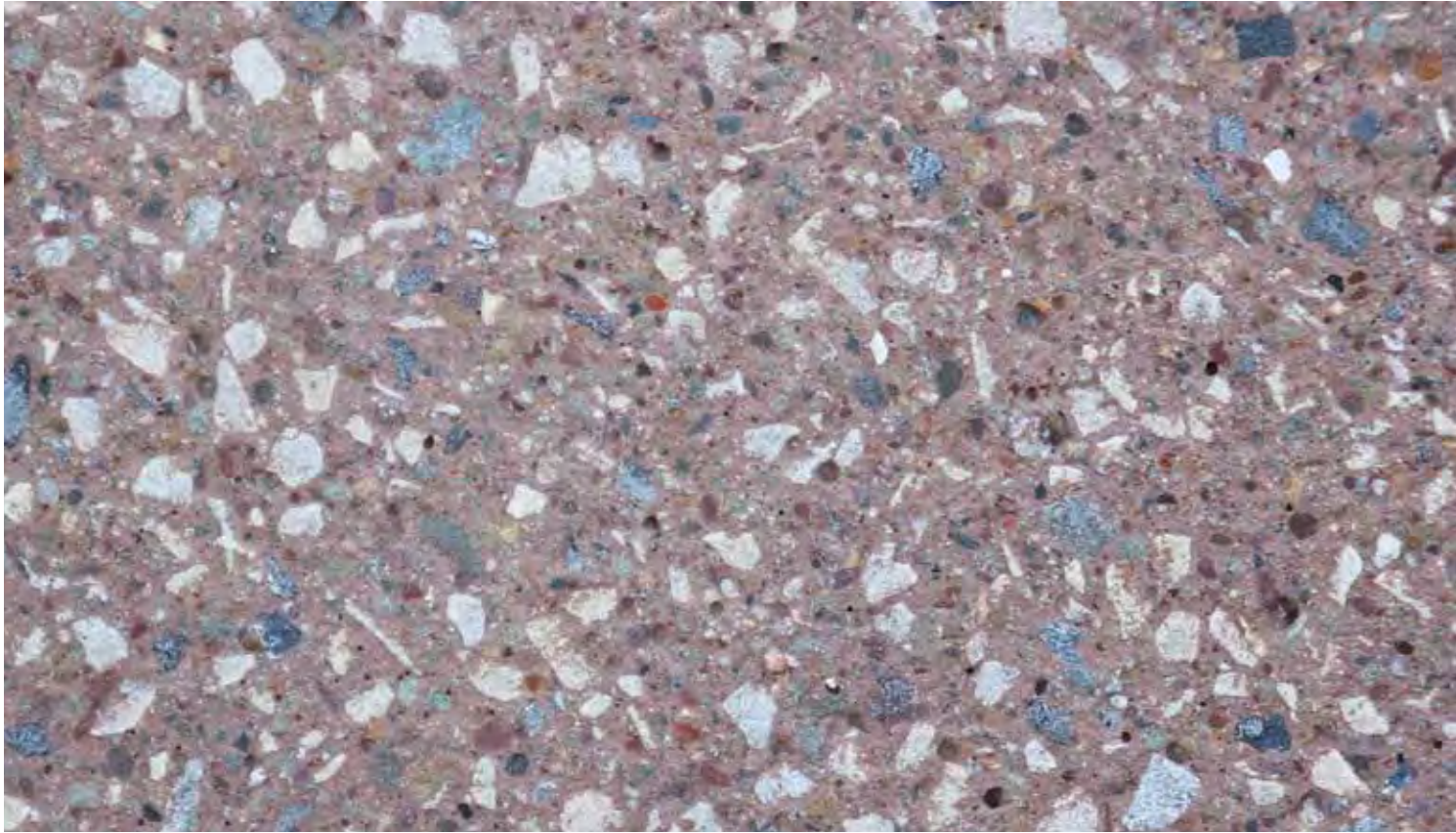


Elden Foods – Light Sandblast, Imprint Accents



MEDIUM SANDBLAST

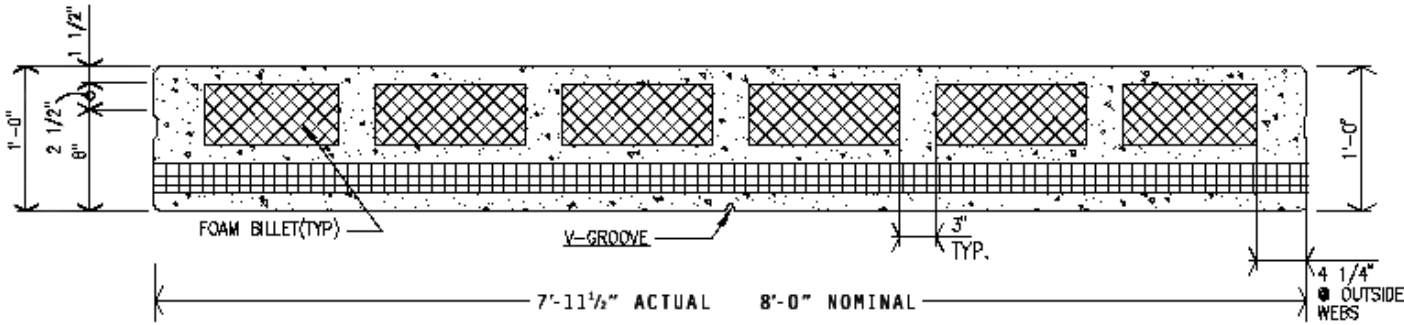
The medium sandblast finish is more aggressive than the Brush Blast finish and is intended to expose more of the natural color of the aggregate. Different levels of sandblasting can be combined within a panel. Variation in the levels of exposure across the panel and from panel to panel is inherent and the result of working with natural products.



Flandreau Santee Community – Medium Sandblast, Combine Levels of Sandblast and Formliner

FLAT EXPOSED AGGREGATE WITH SCORELINES

Top face flat exposed aggregate still allows the steel formwork finish to the interior of the building. The top face process results in the aggregate appearing randomized and a deeper etch. Bands may be created with imprinted lines and colors can be enhanced with the use of field applied tinted sealers.



▲ International Aviation

- Flat Exposed Aggregate with Scorelines



**INTERIOR FINISHES,
VERSATILITY,
& VARIATIONS**

**FABCON
PRECAST.**

THERE ARE TWO SIDES TO EVERY STORY: INTERIOR FINISH OPTIONS

Almost from the beginning, exterior finishes and the structural and thermal performance attributes have garnered much of the attention. Fabcon believes that it's no less important to understand the interior of our structures as well.

- Available
- ✗ Not Available
- Form face can differ from top face

INTERIOR (FORMSIDE)

EXTERIOR (TOPSIDE)

	Exposed Aggregate	Sandblast	Hard Trowel	Steel Form	Broom/Raked	Thin Brick	Rib	Formliner Patterns
Formside Exposed	■	✗	■	✗	■	■	■	✗
Exposed Aggregate	●	■	✗	■	✗	■	✗	■
Sandblast	■	✗	■	✗	■	✗	■	✗
Steel Form	■	✗	■	✗	■	✗	■	✗
Broom/Raked	✗	■	✗	■	✗	■	✗	■
Thin Brick	■	✗	■	✗	■	✗	■	✗
Rib	✗	■	✗	■	✗	■	✗	■
Formliner Patterns	■	✗	■	✗	■	✗	■	✗



BIGGER & BETTER THAN A BUSINESS CARD

A Fabcon building is a source of pride and the perfect extension of a powerful brand. The pure speed and value of a Fabcon building may stretch your budget to include more square footage, a more intricate main entrance...or even bigger and brighter signage. Ask your sales engineer how Fabcon has figured prominently in the expansion strategies of some of this country's most successful brands.



THERE'S MORE TO ARCHITECTURE THAN BUILDINGS

Fabcon Precast panels are a versatile and economic building envelope solution. They're equally useful for site accents and other more ornamental applications. Fabcon encourages you to use your imagination—and feel free to use ours as well. In 45 years, we've seen our panels utilized in some very unexpected applications.



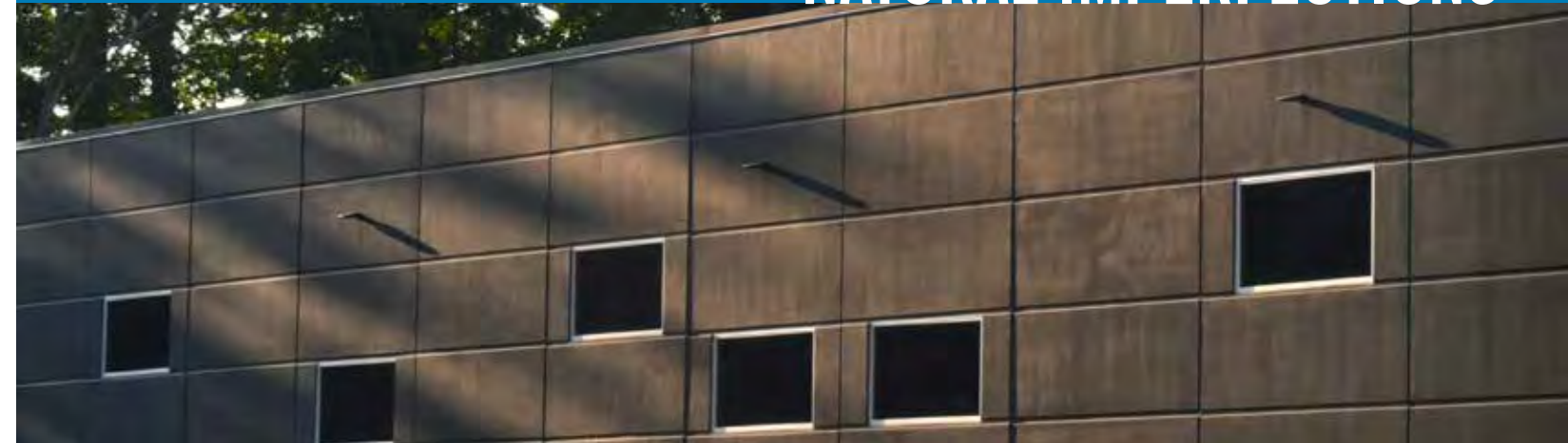
IT'S ONLY NATURAL: THE NATURE OF CONCRETE'S VISUAL VARIATIONS.



Panel Imperfection Facts

- A hairline fracture or fissure will not affect the performance or the finish of your panel.
- Deep cracks are an uncommon occurrence and will be addressed to meet MNLA tolerances.
- Large chips can be the result of either the manufacturing process or the installation.

NATURAL IMPERFECTIONS



Fabcon works hard to ensure that every panel we produce lives up to the expectations of our customers. Every panel we produce is subjected to no less than four quality inspections; on the casting bed, once stripped, when loaded for transport and during erection. Concrete, however, is a natural material. Our panels are made up of aggregates, sand, and the binding agents that hold everything together. Not surprisingly, concrete is like most things in nature... imperfect. As it is true of granite, limestone and wood, slight imperfections and inconsistencies are inevitable. Some, however, are simply unacceptable by Fabcon standards.

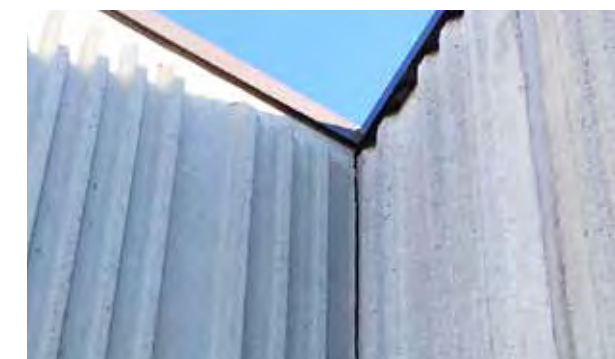
One of Fabcon's key differentiators is the way we manufacture our panels. Our manufacturing beds are in a climate-controlled environment kept at the optimal temperature for pouring and curing concrete. The beds themselves have been leveled with the use of lasers capable of detecting minor variations. These factors and several environmental factors are continually measured and maintained. Once installed, however, certain angles of sunlight can cast shadows and expose variations and slight imperfections. It doesn't take much. Even a variation of just over 1 mm—or about the thickness of dime—can be seen when light hits at critical angles. Naturally that lighting effect is fleeting at most.



FINISH CRACKING



SIDEFORM CRACKS



JOINT FAILURE

SALES OFFICES

Minneapolis, Minnesota
Columbus, Ohio
Allentown, Pennsylvania
Kansas City, Kansas

MANUFACTURING PLANTS

Corporate & All Plants | 800-727-4444
Savage, MN | 952-890-4444
Grove City, OH | 614-875-8601
Mahanoy City, PA | 610-530-4470
Pleasanton, KS | 913-937-3021



FABCONPRECAST.COM | 800-727-4444

PRECAST WALL SYSTEMS - ENGINEERING - MANUFACTURING - INSTALLATION

©2017 Fabcon Precast