

EloFIT

**Fittings For
Water And Gas
HDPE Pipes**



INDEX



LEGEND.....	2
GLOSSARY	3





PE 4710 FITTINGS

TECHNICAL INFORMATION	4
ELECTROFUSION PROCESS	5
PREPARATION FOR WELDING	6
ELECTROFUSION FITTINGS.....	7
SOCKET FUSION FITTINGS	28
BUTT FUSION FITTINGS.....	33
EQUIPMENT.....	35
WELDING UNITS.....	45

PP FITTINGS

COMPRESSION FITTINGS	53
TECHNICAL INFORMATION	55
ASSEMBLY INSTRUCTIONS.....	56

LEGEND

Code:	Nupigeco item code
Nominal Size:	Polyethylene pipe external diameter
Pcs/box.:	Quantity per box
Q.ty /pallet:	Quantity per pallet
Weight Kg / p.:	Item weight - Kg
Volume m³ / p.:	Item volume - m ³
USD/p	Dollar item price per piece
Min DR	It indicates the minimum value of weldability of the fitting on the pipe with the same SDR value or lower.
Pf max DR:	Maximum drilling depth for tapping tees.
Hole Ø:	For tapping tees it indicates the dimension of the drilled hole. For branch saddles it indicates the usable hole size as declared by Nupigeco.
	Suitable for gas and water
	Suitable for gas
	Suitable for water
	Sewage

Equipment/Tooling - item codes starting with 00 - items highlighted in yellow are sold with a different discount range or at net price.

All dimensions have to be considered in inches if not otherwise mentioned.

GLOSSARY



Polyethylene	PE
Polypropylene	PP
Pipe or fitting external diameter in inches.	DN, OD, d _n
Wall thickness at any point around the circumference of a component rounded to the next greater 0,1mm	e
Standard pressure rate. The design capacity	Pfa/PR
Minimum required strength of a pipe or fitting	MRS
Standard Nominal Ratio: ratio of pipe outside diameter to wall thickness	DR
Hydrostatic design stress ($HDS = \frac{HDB}{DSF}$)	HDS
Design safety coefficient	DSF
Hydrostatic design basis	HDB
Operation pressure recommended for general durability in handling and for use in typical water service installations	PSI
Fluid safety coefficient	FSF
Temperature safety coefficient	TSF



TECHNICAL INFORMATION

Raw material used	Polyethylene PE4710 MRS 10, HDB 160 PSI		
Compatibility	With Pe Pipes, Fittings And Valves With Melt Flow Index Mfi 190°C/5Kg Between 0.2 And 1.3 Gr/10 and high density polyethylene		
Welding tension	Equal to or lower than 48 nominal volts		
Terminal cable diameter	4 mm		
Standard references	ASTM - ISO 4427 - ANSI/AWWA C 906-99 ASTM - ISO 4437 - ANSI/AWWA C 901-02		
Main homologations by Italian and International Institutes	Dvgw (Germany) Ovgw (Austria) NF (France) Kiwa (Hollande) Istituto Italiano dei Plastici (Italy)	Svgw (Switzerland) Sonelgaz (Algeria) Powergas (Singapore) DS certificering (Denmark)	Watermark (Australia) Kitermark (UK) E.ON (Germany)

ELECTROFUSION PROCESS



The ELOFIT system is based on the ELECTROFUSION PROCESS.

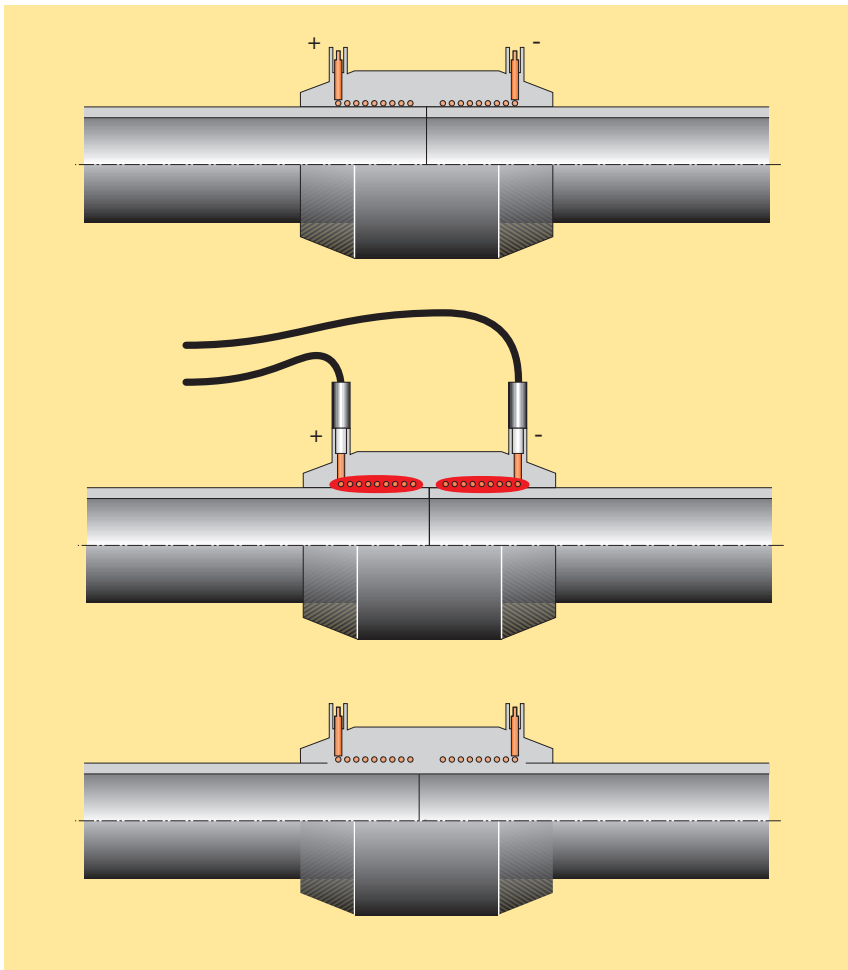
On the inside, the fitting houses electrical resistors connected to the outside cable terminals. When current moves through them, these resistors generate the heat needed to melt polyethylene.

Energy is transmitted directly and exclusively to the surface where the pipe and fitting come into contact with each other, producing heat welding.

The main features of ELOFIT are the high quality and the reliability of the welding.

When it cools down, the connection is even, strong, safe and reliable.

WHAT IS ELECTRO-WELDING?





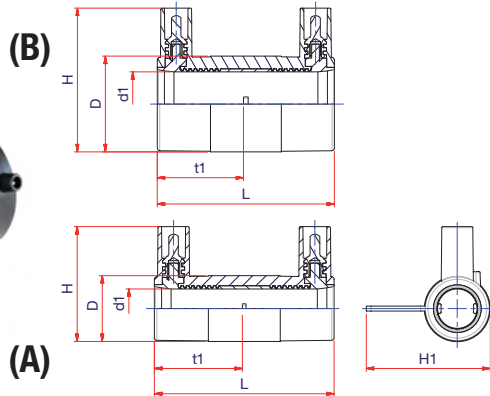
PREPARATION FOR WELDING

Use an ELOFIT welding unit and follow the instructions below to obtain a reliable weld. (*)

- 1. CUT** Cut the pipe perpendicularly with the appropriate pipe cutters.
- 2. SCRAPE** Scrape the pipe surface evenly with the appropriate pipe scraper. Scrape at least 1 cm beyond the insertion length of the fitting.
- 3. CLEAN** Remove any mud, dust, grease or other traces of dirt from the pipe ends and the inner part of the fitting. Use only approved cleaning agents.
- 4. MARK** Mark the welding length on the pipe (equal to the length of the electrofusion fitting socket) with the appropriate marker.
- 5. CLAMP** Clamp the pipe with the special aligner after inserting the fitting and keep them clamped throughout the welding process and the cooling down process.
- 6. CONNECT** Connect the welding unit cables to the fitting welding pins, check the welding time and voltage and start the welding process according to the instructions shown on the welding unit display.

(*) These instructions are general indications for the preparation of the electrofusion process. Each fitting is sold with its own welding and/or assembly instructions that must be carefully followed.

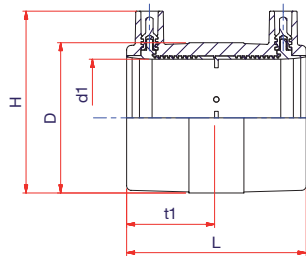
ELECTROFUSION FITTINGS



**CTS
ELECTROFUSION COUPLER**

PE4710 230PSI

Code	Nominal Size CTS	Min DR	pcs/box	Q.ty pallet	Weight kg./p.	Volume m ³ /p.	d1 (CTS)	D	H	L	t1	H1
12EIME012C (A)	1/2"	10.00	30	2,880	0.053	0.0003	1/2"	1.06	1.89	2.91	1.42	2.01
12EIME01C (B)	1"	12.50	40	1,920	0.069	0.0004	1"	1.59	2.40	2.91	1.42	-

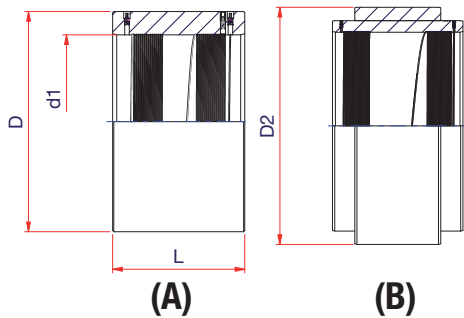
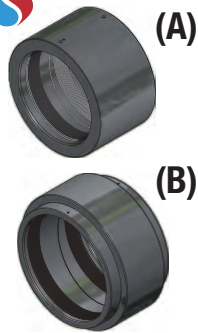


**IPS
ELECTROFUSION COUPLER**

PE4710 230PSI

Code	Nominal Size IPS	Min DR	pcs/box	Q.ty pallet	Weight kg./p.	Volume m ³ /p.	d1 (IPS)	D	H	L	t1
12EIME034	3/4"	11.00	40	1,920	0.074	0.0004	3/4"	1.59	2.40	2.91	1.41
12EIME01	1"	11.00	40	1,920	0.000	0.0000	1"	1.79	2.40	2.91	1.41
12EIME114	1-1/4"	11.00	30	1,440	0.117	0.0006	1-1/4"	2.16	2.91	3.26	1.57
12EIME02	2"	17.00	16	768	0.263	0.0011	2"	3.11	3.88	5.12	2.52
12EIME03	3"	17.00	32	384	0.531	0.0025	3"	4.45	5.04	5.90	2.91
12EIME04	4"	17.00	22	264	0.791	0.0036	4"	5.59	6.14	6.30	3.11
12EIME06	6"	17.00	24	96	1.608	0.0090	6"	8.03	8.42	7.28	3.60
12EIME08	8"	17.00	24	48	4.150	0.0212	8"	11.02	11.02	7.08	3.54

ELECTROFUSION FITTINGS

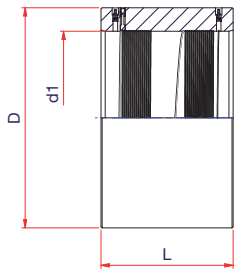


IPS ELECTROFUSION COUPLER

With pre-heating bar code from (ø)10"

PE4710 230PSI

Code	Nominal Size IPS	Min DR	pcs/ box	Q.ty pallet	Weight kg./p.	Volume m ³ /p.	d1 (IPS)	D	D2	L
12EIME10 (A)	10"	17.00	12	24	9.417	0.0424	10"	13.98	-	8.66
12EIME12 (A)	12"	17.00	10	20	10.600	0.0509	12"	15.75	-	9.45
12EIME14 (A)	14"	17.00	6	12	16.600	0.0848	14"	17.72	-	10.24
12EIME16 (A)	16"	17.00	6	12	21.160	0.0848	16"	19.68	-	11.42
12EIME18 (A)	18"	17.00	4	4	30.500	0.2256	18"	22.05	-	13.38
12EIME20 (A)	20"	17.00	4	8	-	0.1272	20"	24.09	-	14.17
12EIME22 (B)	22"	17.00	3	3	50.660	0.3040	22"	-	27.95	15.75
12EIME24 (A)	24"	17.00	3	6	-	0.1696	24"	27.95	-	17.32
12EIME30 (B)	30"	17.00	1	1	-	-	30"	-	35.43	18.89



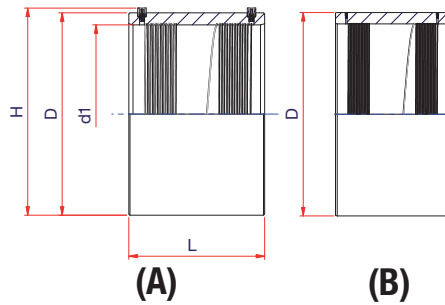
DIPS ELECTROFUSION COUPLER

With pre-heating bar code from (ø) 10"

PE4710

Code	Nominal Size DIPS	Min DR	pcs/ box	Q.ty pallet	Weight kg./p.	Volume m ³ /p.	d1 (DIPS)	D	L
12EIMED08	8"	-	24	48	4.150	0.0212	8"	11.02	7.09
12EIMED10	10"	-	12	24	9.417	0.0424	10"	13.97	8.66
12EIMED12	12"	-	10	20	10.600	0.0509	12"	15.75	8.66
12EIMED14	14"	-	6	12	16.600	0.0848	14"	-	-
12EIMED16	16"	-	6	12	21.160	0.0848	16"	-	-
12EIMED18	18"	-	4	8	30.500	0.2256	18"	-	-
12EIMED20	20"	-	4	8	-	0.1272	20"	-	-
12EIMED22	22"	-	1	1	50.660	0.3040	22"	-	-
12EIMED24	24"	-	1	1	-	0.1696	24"	-	-

ELECTROFUSION FITTINGS

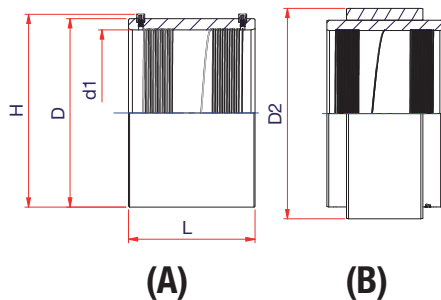


IPS ELECTROFUSION COUPLER

With pre-heating bar code from (ø) 10"

PE4710 160PSI

Code	Nominal Size IPS	Min DR	pcs/box	Q.ty pallet	Weight kg./p.	Volume m ³ /p.	d1 (IPS)	D	H	L
12DIME08 (A)	8"	21.00	24	48	-	-	8"	9.84	10.36	7.08
12DIME10 (A)	10"	21.00	16	32	-	-	10"	12.40	12.79	8.66
12DIME12 (A)	12"	21.00	12	24	-	-	12"	15.75	15.75	8.66
12DIME14 (A)	14"	21.00	10	20	-	-	14"	15.74	15.94	10.23
12DIME16 (A)	16"	21.00	6	12	-	-	16"	17.72	17.91	11.42
12DIME18 (A)	18"	21.00	4	8	-	-	18"	19.69	19.88	13.39
12DIME20 (B)	20"	21.00	4	8	-	-	20"	22.05	-	14.17
12DIME22 (B)	22"	21.00	3	3	-	-	22"	24.80	-	15.75
12DIME24 (B)	24"	21.00	1	2	-	-	24"	27.95	-	17.32
12DIME28 (B)	28"	21.00	1	2	-	-	28"	31.50	-	18.90
12DIME32 (B)	32"	21.00	1	1	-	-	32"	35.43	-	19.68
12DIME36 (B)	36"	21.00	1	1	-	-	36"	39.37	-	19.68



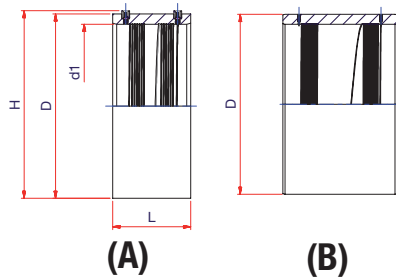
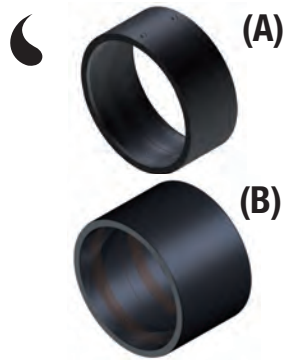
DIPS ELECTROFUSION COUPLER

With pre-heating bar code from (ø)10"

PE4710 160PSI

Code	Nominal Size DIPS	Min DR	pcs/box	Q.ty pallet	Weight kg./p.	Volume m ³ /p.	d1 (DIPS)	D	H	D2	L
12DIMED08 (A)	8"	21.00	16	32	-	-	8"	9.84	10.27	-	7.08
12DIMED10 (A)	10"	21.00	22	44	-	-	10"	13.98	13.98	-	8.66
12DIMED12 (A)	12"	21.00	12	24	-	-	12"	15.75	15.75	-	8.66
12DIMED14 (A)	14"	21.00	10	20	-	-	14"	17.72	17.72	-	10.24
12DIMED16 (A)	16"	21.00	6	12	-	-	16"	19.69	19.69	-	13.38
12DIMED18 (A)	18"	21.00	4	8	-	-	18"	22.05	22.05	-	14.17
12DIMED20 (A)	20"	21.00	4	8	-	-	20"	24.80	24.80	-	15.75
12DIMED24 (B)	24"	21.00	2	4	-	-	24"	27.95	-	31.50	17.32

ELECTROFUSION FITTINGS

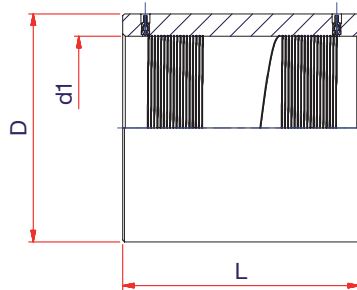


IPS SEWAGE ELECTROFUSION COUPLER

With pre-heating bar code

PE4710 45PSI

Code	Nominal Size IPS	Min DR	pcs/ box	Q.ty pallet	Weight kg./p.	Volume m ³ /p.	d1 (IPS)	D	H	L
12FIME10 (A)	10"	33.00	22	44	-	-	10"	12.40	12.79	6.30
12FIME12 (A)	12"	33.00	12	24	-	-	12"	15.75	15.75	6.30
12FIME14 (A)	14"	33.00	10	20	-	-	14"	15.74	15.94	8.27
12FIME16 (A)	16"	33.00	6	12	-	-	16"	17.72	17.91	8.27
12FIME18 (A)	18"	33.00	4	8	-	-	18"	19.69	19.88	8.27
12FIME20 (B)	20"	33.00	4	8	-	-	20"	22.05	-	8.27
12FIME22 (B)	22"	33.00	1	-	-	-	22"	24.80	-	9.84
12FIME24 (B)	24"	33.00	1	-	-	-	24"	27.95	-	9.84



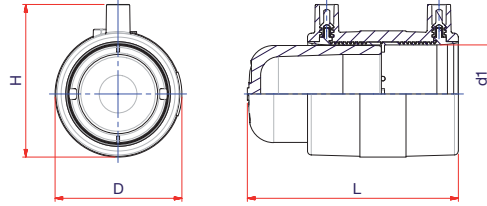
IPS ELECTROFUSION COUPLER

With pre-heating bar code from (ø) 8"

PE4710 380PSI

Code	Nominal Size IPS	Min DR	pcs/ box	Q.ty pallet	Weight kg./p.	Volume m ³ /p.	d1 (IPS)	D	L
12GIME06	06"	7.4	-	-	-	-	06"	-	-
12GIME08	08"	7.4	33	33	7.212	0.0276	08"	11.02	10.63
12GIME10	10"	7.4	12	12	13.500	0.0752	10"	13.98	12.60
12GIME12	12"	7.4	10	10	14.850	0.0900	12"	15.75	12.60

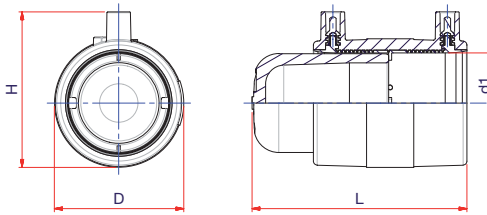
ELECTROFUSION FITTINGS



CTS
ELECTROFUSION END CAP

PE4710 230PSI

Code	Nominal Size CTS	Min DR	pcs/ box	Q.ty pallet	Weight kg./p.	Volume m ³ /p.	d1 (CTS)	D	H	L
12EICAL012C	1/2"	10.00	-	-	-	-	1/2"	1.06	1.89	3.66
12EICAL01C	1"	12.50	-	-	-	-	1"	1.59	2.40	3.75

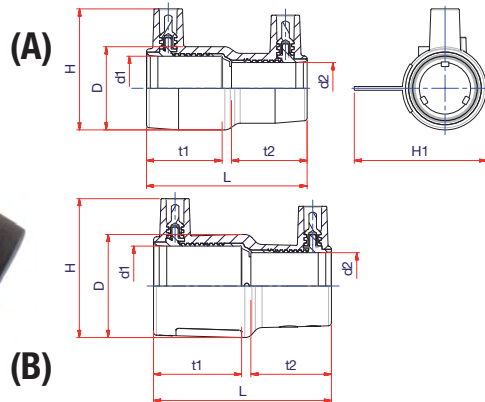


IPS
ELECTROFUSION END CAP

PE4710 230PSI

Code	Nominal Size IPS	Min DR	pcs/ box	Q.ty pallet	Weight kg./p.	Volume m ³ /p.	d1 (IPS)	D	H	L
12EICAL034	3/4"	11.00	-	-	-	-	3/4"	1.59	2.40	3.50
12EICAL001	1"	11.00	-	-	-	-	1"	1.79	2.40	3.75
12EICAL0114	1-1/4"	11.00	-	-	-	-	1-1/4"	2.16	2.91	4.23
12EICAL002	2"	17.00	-	-	-	-	2"	3.11	3.88	5.90
12EICAL003	3"	17.00	-	-	-	-	3"	4.45	5.04	7.04
12EICAL004	4"	17.00	-	-	-	-	4"	5.59	6.14	7.71
12EICAL006	6"	17.00	-	-	-	-	6"	8.03	8.42	9.29
12EICAL008	8"	17.00	-	-	-	-	8"	11.02	11.02	9.25

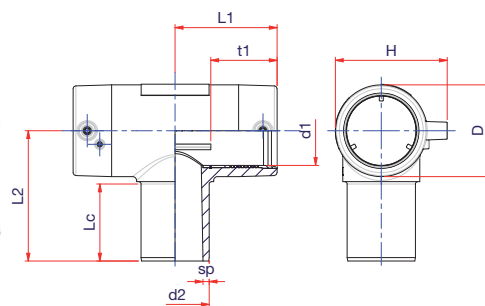
ELECTROFUSION FITTINGS



ELECTROFUSION REDUCER

PE4710 230PSI

Code	Nominal Size	Min DR	pcs/box	Q.ty pallet	Weight kg./p.	Volume m ³ /p.	d1	t1	d2	t2	D	L	H	H1
12EIRDE034012C (A)	3/4" IPS x 1/2" CTS	11.00	1	96	-	-	3/4" IPS	1.57	1/2" CTS	1.45	1.69	3.34	2.51	2.54
12EIRDE034012 (A)	3/4" IPS x 1/2" IPS	11.00	1	-	-	-	3/4" IPS	1.57	1/2" IPS	1.45	1.73	3.34	2.51	2.75
12EIRDE01C012C (A)	1" CTS x 1/2" CTS	12.50	1	-	-	-	1" CTS	1.57	1/2" CTS	1.45	1.69	3.34	2.51	2.72
12EIRDE01C034 (A)	1" CTS x 3/4" IPS	12.50	1	-	-	-	1" CTS	1.57	3/4" IPS	1.57	1.73	3.34	2.51	2.75
12EIRDE01034 (A)	1" IPS x 3/4" IPS	11.00	20	1,920	0.083	0.0005	1" IPS	1.57	3/4" IPS	1.57	1.73	3.34	2.51	2.75
12EIRDE114114C (B)	1-1/4" IPS x 1-1/4" CTS	15.30	-	-	-	-	1-1/4" IPS	1.85	1-1/4" CTS	1.69	2.06	3.74	2.92	-
12EIRDE02114 (B)	2" IPS x 1-1/4" IPS	17.00	12	576	0.250	0.0014	2" IPS	2.24	1-1/4" IPS	1.77	3.18	4.72	3.93	-
12EIRDE0302 (B)	3" IPS x 2" IPS	11.00	30	360	0.507	0.0027	3" IPS	2.89	2" IPS	2.55	4.56	6.00	5.07	-
12EIRDE0402 (B)	4" IPS x 2" IPS	11.00	24	288	0.621	0.0033	4" IPS	2.85	2" IPS	2.48	5.19	6.22	5.86	-
12EIRDE0403 (B)	4" IPS x 3" IPS	11.00	24	288	0.608	0.0033	4" IPS	2.89	3" IPS	2.67	5.19	6.22	5.86	-
12EIRDE0604 (B)	6" IPS x 4" IPS	13.50	10	120	1.480	0.0080	6" IPS	-	4" IPS	-	-	-	-	-

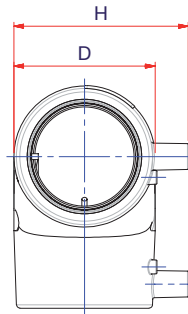
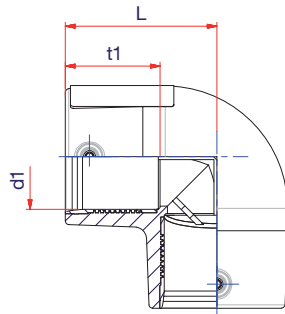


SINGLE-WIRE ELECTROFUSION EQUAL TEE WITH SPIGOT END

PE4710 230PSI

Code	Nominal Size	Min DR	pcs/box	Q.ty pallet	Weight kg./p.	Volume m ³ /p.	d1	t1	D	L1	d2	sp	Lc	L2	H
12EITCE012C	1/2" CTS	10.00	20	1,920	0.080	0.0005	1/2" CTS	1.55	1.26	1.77	1/2" CTS	0.09	1.85	2.62	2.03
12EITCE01C	1" CTS	12.50	25	1,200	0.210	0.0016	1" CTS	1.55	1.73	2.16	1" CTS	0.10	1.97	2.95	2.52
12EITCE114	1-1/4" IPS	11.00	-	-	0.517	0.0028	1-1/4" IPS	1.77	2.12	2.66	1-1/4" IPS	0.15	2.17	3.35	2.92
12EITCE02	2" IPS	11.00	6	288	0.517	0.0028	2" IPS	2.30	3.19	3.54	2" IPS	0.20	2.76	4.53	3.88
12EITCE03	3" IPS	11.00	14	-	-	-	-	-	-	-	-	-	-	-	-
12EITCE04	4" IPS	11.00	10	-	-	-	-	-	-	-	-	-	-	-	-

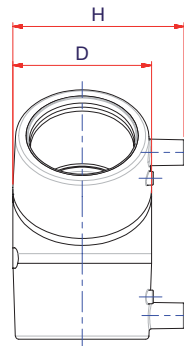
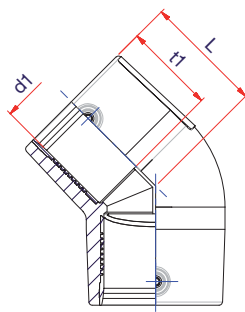
ELECTROFUSION FITTINGS



SINGLE WIRE 90° E/F ELBOW

PE4710 230PSI

Code	Nominal Size IPS	Min DR	pcs/box	Q.ty pallet	Weight kg./p.	Volume m ³ /p.	d1 (IPS)	t1	D	L	H
12EIGEM02	2"	11.00	8	384	0.394	0.0021	2"	2.16	3.23	3.46	3.94
12EIGEM03	3"	11.00	14	168	1.067	0.0057	3"	2.75	2.34	4.80	4.68
12EIGEM04	4"	11.00	10	120	1.425	0.0080	4"	3.26	5.51	5.66	6.06

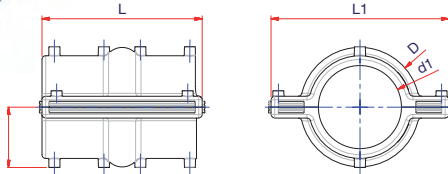


SINGLE WIRE 45° E/F ELBOW

PE4710 230PSI

Code	Nominal Size IPS	Min DR	pcs/box	Q.ty pallet	Weight kg./p.	Volume m ³ /p.	d1 (IPS)	t1	D	L	H
12EICEM02	2"	11.00	10	480	0.330	0.0017	2"	2.12	3.30	2.77	3.39
12EICEM03	3"	11.00	20	240	0.885	0.0040	3"	2.75	4.68	3.24	5.27
12EICEM04	4"	11.00	12	144	1.225	0.0066	4"	3.26	5.51	4.48	6.06

ELECTROFUSION FITTINGS



BUTT FUSION REPAIR SLEEVE

Suitable to repair minor damages on pipe with or without fluid leakage.

Available on request.

For the installation use the blocking device supplied on request.

PE4710 230 PSI

Code	Nominal Size IPS	Min DR	pcs/box	Q.ty pallet	Weight kg./p.	Volume m ³ /p.	d1 (IPS)	D	L	L1	H
12EIBFRS04	4"	11.00	10	240	0.720	0.0042	4"	6.45	8.66	9.60	3.26



VARIABLE LENGHT REPAIR SLEEVE

Suitable to repair important damages on pipe with or without fluid leakage.

* Kit

(1) TERMINAL: composed by two pieces 1 female + 1 male

(2) MODULAR: only 1 piece (male-female)

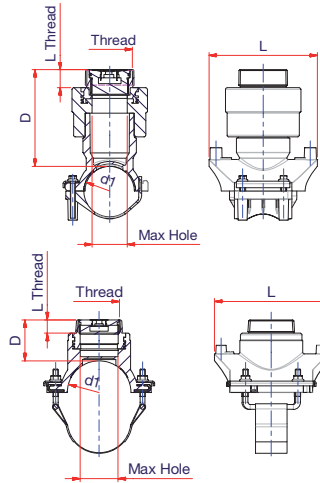
Available on request

For the installation use the blocking device supplied on request.

PE4710 230 PSI

Code	Nominal Size IPS	Min DR	pcs/box	Q.ty pallet	Weight kg./p.	Volume m ³ /p.	d1 (IPS)	D	L1	L2	H
12EIVLRS04 (1)	4"	11.00	2*	-	2.400	0.0360					
12EIVLRS04M (2)	4"	11.00	1	-	2.300	0.0678					

ELECTROFUSION FITTINGS



90° BRASS OUTLET BRANCH SADDLE BALLOON ENTRY FITTING

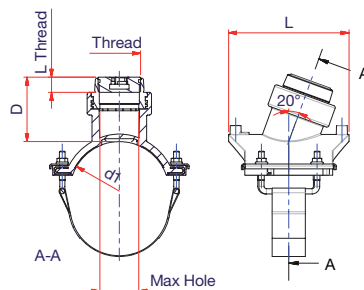
With brass female threaded outlet
Specific opening for anti-slide ball for polyethylene

* WITH RIGID UNDER CLAMP

PE4710 230PSI

Code	Nominal Size IPS	pcs/box	Q.ty pallet	Weight kg./p.	Volume m ³ /p.	d1 (IPS)	Thread (NPT)	L Thread	D	L	Max Hole
12EIPAL02*	2"	10	-	-	-	2"	2"	0.87"	4.64"	5.20"	1.69"
12EIPAL03	3"	10	-	-	-	3"	2-1/2"	0.79"	2.40"	6.69"	2.12"
12EIPAL04	4"	10	-	-	-	4"	2-1/2"	0.79"	3.31"	6.69"	2.12"
12EIPAL06	6"	10	-	-	-	6"	2-1/2"	0.79"	3.31"	6.69"	2.12"
12EIPAL08	8"	10	-	-	-	8"	2-1/2"	0.79"	3.31"	7.87"	2.12"
12EIPAL10	10"	10	-	-	-	10"	2-1/2"	0.79"	3.31"	7.87"	2.12"
12EIPAL12	12"	10	-	-	-	12"	2-1/2"	0.79"	3.31"	7.87"	2.12"

Fittings may be fused on pipe with SDR'S 7.0 to 17.0



20° ANGULAR BRANCH SADDLE CAMERA FITTING

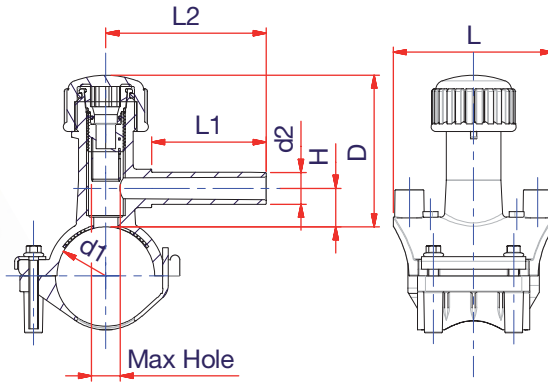
With brass female threaded outlet
Specific opening for anti-slide ball for polyethylene

PE4710 230PSI

Code	Nominal Size IPS	pcs/box	Q.ty pallet	Weight kg./p.	Volume m ³ /p.	d1 (IPS)	Thread	L Thread	D	L	Max Hole
12EIPAL2004	4"	10	-	-	-	4"	2-1/2" NPT	0.79"	3.31"	6.69"	2.12"
12EIPAL2006	6"	10	-	-	-	6"	2-1/2" NPT	0.79"	3.31"	6.69"	2.12"
12EIPAL2008	8"	10	-	-	-	8"	2-1/2" NPT	0.79"	3.31"	7.87"	2.12"
12EIPAL2010	10"	10	-	-	-	10"	2-1/2" NPT	0.79"	3.31"	7.87"	2.12"
12EIPAL2012	12"	10	-	-	-	12"	2-1/2" NPT	0.79"	3.31"	7.87"	2.12"

Fittings may be fused on pipe with SDR'S 7.0 to 17.0

ELECTROFUSION FITTINGS



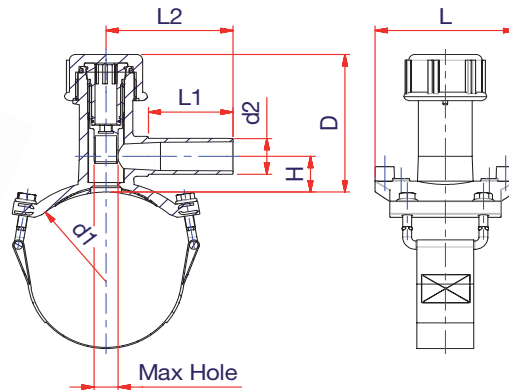
TAPPING TEE WITH RIGID UNDER CLAMP

PE4710 230 PSI

Code	Nominal Size	Max DR	pcs/ box	Q.ty pallet	Weight kg./p.	Volume m ³ /p.	d1 (IPS)	d2	H	L1	L2	L	D	Max Hole
12EIPRES11412C	1-1/4" x 1/2" CTS	7.40	40	480	0.398	0.0020	1-1/4"	1/2" CTS	0.90	2.75	3.94	3.94	3.36	0.71
12EIPRES0212C	2" x 1/2" CTS	7.40	40	480	0.423	0.0020	2"	1/2" CTS	0.94	2.56	3.94	3.94	3.40	0.71
12EIPRES0312C	3" x 1/2" CTS	7.40	30	360	0.417	0.0027	3"	1/2" CTS	0.79	2.13	3.94	3.94	3.56	0.71
12EIPRES0412C	4" x 1/2" CTS	7.40	25	360	0.532	0.0032	4"	1/2" CTS	0.79	2.87	3.94	3.94	3.56	0.71
12EIPRES0612C	6" x 1/2" CTS	9.00	20	240	0.640	0.0040	6"	1/2" CTS	0.90	2.87	3.94	3.94	3.96	0.71
12EIPRES11434	1-1/4" x 3/4" IPS	7.40	40	480	0.398	0.0020	1-1/4"	3/4" IPS	0.90	2.75	3.94	3.94	3.36	0.71
12EIPRES0234	2" x 3/4" IPS	7.40	40	480	0.435	0.0020	2"	3/4" IPS	0.94	2.75	3.94	3.94	3.40	0.71
12EIPRES0334	3" x 3/4" IPS	7.40	25	300	0.532	0.0032	3"	3/4" IPS	0.79	2.56	3.94	3.94	3.56	0.71
12EIPRES0434	4" x 3/4" IPS	7.40	30	360	0.563	0.0027	4"	3/4" IPS	0.79	2.85	3.94	3.94	3.56	0.71
12EIPRES0634	6" x 3/4" IPS	9.00	20	240	0.640	0.0040	6"	3/4" IPS	0.90	2.85	3.94	3.94	3.96	0.71
12EIPRES11401C	1-1/4" x 1" CTS	7.40	50	600	0.388	0.0016	1-1/4"	1" CTS	0.90	2.75	3.94	3.94	3.36	0.71
12EIPRES0201C	2" x 1" CTS	7.40	40	480	0.433	0.0020	2"	1" CTS	0.94	2.85	3.94	3.94	3.40	0.71
12EIPRES0301C	3" x 1" CTS	7.40	25	300	0.394	0.0032	3"	1" CTS	0.79	2.56	3.94	3.94	3.56	0.71
12EIPRES0401C	4" x 1" CTS	7.40	30	360	0.567	0.0027	4"	1" CTS	0.79	2.95	3.94	3.94	3.56	0.71
12EIPRES0601C	6" x 1" CTS	9.0	20	240	0.675	0.0040	6"	1" CTS	0.90	2.75	3.94	3.94	3.96	0.71
12EIPRES11401	1-1/4" x 1" IPS	7.40	50	600	0.382	0.0016	1-1/4"	1" IPS	0.90	2.75	3.94	3.94	3.36	0.71
12EIPRES0201	2" x 1" IPS	7.40	40	480	0.340	0.0020	2"	1" IPS	0.94	2.75	3.94	3.94	3.40	0.71
12EIPRES0301	3" x 1" IPS	7.40	30	360	0.453	0.0027	3"	1" IPS	0.79	0.79	3.94	3.94	3.56	0.71
12EIPRES0401	4" x 1" IPS	7.40	20	240	0.450	0.0040	4"	1" IPS	0.79	0.79	3.94	3.94	3.56	0.71
12EIPRES0601	6" x 1" IPS	9.0	20	240	0.680	0.0040	6"	1" IPS	0.90	0.90	3.94	3.94	3.96	0.71
12EIPRES02114	2" x 1-1/4" IPS	7.4	25	300	0.394	0.0032	2"	1-1/4" IPS	0.94	0.94	3.94	3.94	3.40	0.71
12EIPRES0202	2" x 2" IPS	7.4	20	240	0.973	0.0040	2"	2" IPS	1.18	1.18	3.94	5.19	5.21	1.22

On request are available the same fitting with a metric outlet!

ELECTROFUSION FITTINGS



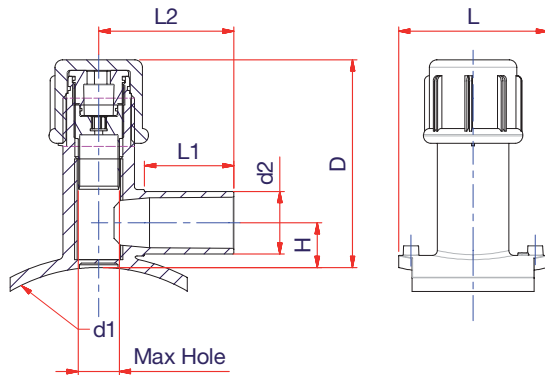
TAPPING TEE WITH BELT

PE4710 230 PSI

Code	Nominal Size	Max DR	pcs/ box	Q.ty pallet	Weight kg./p.	Volume m ³ /p.	d1 (IPS)	d2	H	L1	L2	L	D	Max Hole
12EIPRES0812C	8" x 1/2" CTS	7.40	10	120	1.350	0.0080	8"	1/2" CTS	1.48	2.68	4.13	4.56	6.18	0.94
12EIPRES1012C	10" x 1/2" CTS	7.40	10	120	1.350	0.0080	10"	1/2" CTS	1.48	2.68	4.13	4.56	6.18	0.94
12EIPRES1212C	12" x 1/2" CTS	7.40	10	120	1.350	0.0080	12"	1/2" CTS	1.48	2.68	4.13	4.56	6.18	0.94
12EIPRES1212	12" x 1/2" IPS	7.40	10	120	1.350	0.0080	12"	1/2" IPS	1.48	2.68	4.13	4.56	6.18	0.94
12EIPRES0834	8" x 3/4" IPS	7.40	10	120	1.350	0.0080	8"	3/4" IPS	1.48	2.68	4.13	4.56	6.18	0.94
12EIPRES1034	10" x 3/4" IPS	7.40	10	120	1.350	0.0080	10"	3/4" IPS	1.48	2.68	4.13	4.56	6.18	0.94
12EIPRES1234	12" x 3/4" IPS	7.40	10	120	1.350	0.0080	12"	3/4" IPS	1.48	2.68	4.13	4.56	6.18	0.94
12EIPRES0801C	8" x 1" CTS	7.4	10	120	1.350	0.0080	8"	1" CTS	1.48	2.68	4.13	4.56	6.18	0.94
12EIPRES1001C	10" x 1" CTS	7.4	10	120	1.350	0.0080	10"	1" CTS	1.48	2.68	4.13	4.56	6.18	0.94
12EIPRES1201C	12" x 1" CTS	7.4	10	120	1.350	0.0080	12"	1" CTS	1.48	2.68	4.13	4.56	6.18	0.94
12EIPRES0801	8" x 1" IPS	7.4	10	120	1.350	0.0080	8"	1" IPS	1.48	2.68	4.13	4.56	6.18	0.94
12EIPRES1001	10" x 1" IPS	7.4	10	120	1.350	0.0080	10"	1" IPS	1.48	2.68	4.13	4.56	6.18	0.94
12EIPRES1201	12" x 1" IPS	7.4	10	120	1.350	0.0080	12"	1" IPS	1.48	2.68	4.13	4.56	6.18	0.94
12EIPRES03114	3" x 1-1/4" IPS	7.4	25	300	0.532	0.0032	3"	1-1/4" IPS	1.18	2.75	4.13	4.56	4.88	0.67
12EIPRES04114	4" x 1-1/4" IPS	7.4	25	300	0.746	0.0032	4"	1-1/4" IPS	1.18	2.75	4.13	4.56	4.88	0.67
12EIPRES06114	6" x 1-1/4" IPS	7.4	10	120	1.390	0.0080	6"	1-1/4" IPS	1.18	2.75	4.13	4.56	6.18	0.67
12EIPRES08114	8" x 1-1/4" IPS	7.4	10	120	1.390	0.0080	8"	1-1/4" IPS	1.48	2.68	4.13	4.56	6.18	0.94
12EIPRES10114	10" x 1-1/4" IPS	7.4	10	120	1.390	0.0080	10"	1-1/4" IPS	1.48	2.68	4.13	4.56	6.18	0.94
12EIPRES12114	12" x 1-1/4" IPS	7.4	10	120	1.390	0.0080	12"	1-1/4" IPS	1.48	2.68	4.13	4.56	6.18	0.94
12EIPRES0302	3" x 2" IPS	7.4	10	120	1.910	0.0080	3"	2" IPS	1.81	3.54	5.35	4.56	8.13	1.53
12EIPRES0402	4" x 2" IPS	7.4	10	120	1.910	0.0080	4"	2" IPS	1.81	3.54	5.35	4.56	8.13	1.53
12EIPRES0602	6" x 2" IPS	7.4	6	72	2.000	0.0133	6"	2" IPS	1.81	3.54	5.35	4.56	8.13	1.53
12EIPRES0802	8" x 2" IPS	7.4	6	72	2.192	0.0133	8"	2" IPS	1.81	3.54	5.35	4.56	8.13	1.53
12EIPRES1002	10" x 2" IPS	7.4	6	72	2.192	0.0133	10"	2" IPS	1.81	3.54	5.35	4.56	8.13	1.53
12EIPRES1202	12" x 2" IPS	7.4	6	72	2.217	0.0133	12"	2" IPS	1.81	3.54	5.35	4.56	8.13	1.53

On request are available the same fitting with a metric outlet!

ELECTROFUSION FITTINGS



TOP LOAD TAPPING TEE

Important: use the positioner Model 00POS01 for the installation.

PE100 SDR11 PFA/PN16 MOP5

Code	∅	Sp max	pcs/ box	Q.tà/Q.ty pallet	Weight kg./p.	Volume m ³ /p.	d1	d2	H	L1	L2	L	D	Max Hole
12EIPRESTL14242	14÷24 x 2"	32	10	120	1.58	0.008	14"-24"	2"	1.81	3.54	5.35	4.56	8.13	1.53

TECHNICAL NOTE:

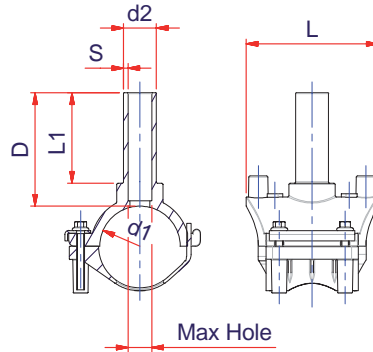
Pipe OD	(SDR) MAX
14"	11
16"	11
18"	17
20	17
22"	21
24"	21



TORQUE WRENCH FOR TAPPING TEE CAP

Code	∅ EPRES Type	pcs/ box	Weight kg./p.	Volume m ³ /p.
00CHIAVE025	Small tapping tee wrench	1	0.045	-
00CHIAVE032	Medium tapping tee wrench	1	0.047	-
00CHIAVE040	2"x 2" tapping tee wrench	1	0.054	-
00CHIAVE050	HVSPT wrench	1	0.060	-

ELECTROFUSION FITTINGS



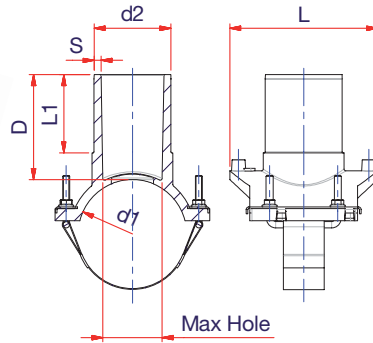
BRANCH SADDLE WITH RIGID UNDER CLAMP

PE4710 230 PSI

Code	Nominal Size	Max SDR	pcs/box	Q.ty pallet	Weight kg./p.	Volume m ³ /p.	d1	d2	S	L1	L	D	Max Hole
12EICOL11412C	1-1/4" x 1/2" CTS	-	60	720	-	0.0013	1-1/4"	1/2" CTS	0.10	2.56	3.94	3.27	0.36
12EICOL0212C	2" x 1/2" CTS	-	50	600	0.294	0.0016	2"	1/2" CTS	0.10	2.56	3.94	3.27	0.36
12EICOL11434	1-1/4" x 3/4" IPS	-	60	720	-	0.0013	1-1/4"	3/4" IPS	0.09	2.56	3.94	3.27	0.77
12EICOL0234	2" x 3/4" IPS	-	50	600	0.296	0.0016	2"	3/4" IPS	0.09	2.56	3.94	3.27	0.77
12EICOL11401C	1-1/4" x 1" CTS	-	60	720	-	0.0013	1-1/4"	1" CTS	0.10	2.56	3.94	3.27	0.86
12EICOL0201C	2" x 1" CTS	-	50	360	0.299	0.0016	2"	1" CTS	0.10	2.56	3.94	3.27	0.86
12EICOL11401	1-1/4" x 1" IPS	-	60	720	-	0.0013	1-1/4"	1" IPS	0.12	2.56	3.94	3.27	1.02
12EICOL0201	2" x 1" IPS	-	50	600	0.301	0.0016	2"	1" IPS	0.12	2.56	3.94	3.27	1.02
12EICOL0202	2" x 2" IPS	-	30	360	0.333	0.0026	2"	1" IPS	0.23	3.54	5.20	4.72	1.55

Fittings may be fused on pipe with SDR'S 7.0 to 17.0

ELECTROFUSION FITTINGS



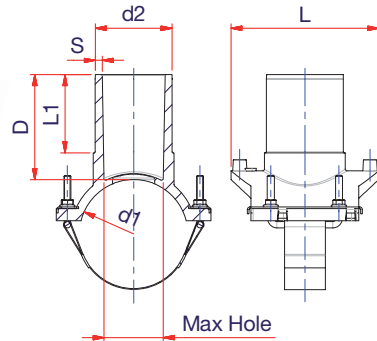
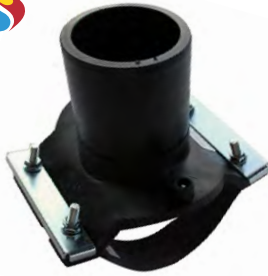
**BRANCH SADDLE
WITH BELT**

PE4710 230 PSI

Code	Nominal Size	Max SDR	pcs/box	Q.ty pallet	Weight kg./p.	Volume m ³ /p.	d1	d2	S	L1	L	D	Max Hole
12EICOL0312C	3" x 1/2" CTS	7.4	30	360	0.440	0.0027	3"	1/2" CTS	0.10	3.35	5.59	4.03	0.36
12EICOL0412C	4" x 1/2" CTS	7.4	30	360	0.440	0.0027	4"	1/2" CTS	0.10	3.35	5.59	4.03	0.36
12EICOL0612C	6" x 1/2" CTS	7.4	30	360	0.440	0.0027	6"	1/2" CTS	0.10	3.35	5.59	4.03	0.36
12EICOL0812C	8" x 1/2" CTS	7.4	30	360	0.440	0.0027	8"	1/2" CTS	0.10	3.35	5.59	4.03	0.36
12EICOL1012C	10" x 1/2" CTS	7.4	30	360	0.440	0.0027	10"	1/2" CTS	0.10	3.35	5.59	4.03	0.36
12EICOL1212C	12" x 1/2" CTS	7.4	30	360	0.440	0.0027	12"	1/2" CTS	0.10	3.35	5.59	4.03	0.36
12EICOL0334	3" x 3/4" IPS	7.4	30	360	0.440	0.0027	3"	3/4" IPS	0.09	3.35	5.59	4.03	0.77
12EICOL0434	4" x 3/4" IPS	7.4	40	480	0.440	0.0027	4"	3/4" IPS	0.09	3.35	5.59	4.03	0.77
12EICOL0634	6" x 3/4" IPS	7.4	30	360	0.440	0.0027	6"	3/4" IPS	0.09	3.35	5.59	4.03	0.77
12EICOL0834	8" x 3/4" IPS	7.4	30	360	0.440	0.0027	8"	3/4" IPS	0.09	3.35	5.59	4.03	0.77
12EICOL1034	10" x 3/4" IPS	7.4	30	360	0.440	0.0027	10"	3/4" IPS	0.09	3.35	5.59	4.03	0.77
12EICOL1234	12" x 3/4" IPS	7.4	30	360	0.440	0.0027	12"	3/4" IPS	0.09	3.35	5.59	4.03	0.77
12EICOL0301C	3" x 1" CTS	7.4	30	360	0.440	0.0027	3"	1" CTS	0.10	3.35	5.59	4.03	0.86
12EICOL0401C	4" x 1" CTS	7.4	30	360	0.440	0.0027	4"	1" CTS	0.10	3.35	5.59	4.03	0.86
12EICOL0601C	6" x 1" CTS	7.4	30	360	0.440	0.0027	6"	1" CTS	0.10	3.35	5.59	4.03	0.86
12EICOL0801C	8" x 1" CTS	7.4	30	360	0.440	0.0027	8"	1" CTS	0.10	3.35	5.59	4.03	0.86
12EICOL1001C	10" x 1" CTS	7.4	30	360	0.440	0.0027	10"	1" CTS	0.10	3.35	5.59	4.03	0.86
12EICOL1201C	12" x 1" CTS	7.4	30	360	0.440	0.0027	12"	1" CTS	0.10	3.35	5.59	4.03	0.86
12EICOL0301	3" X 1" IPS	7.4	30	360	0.440	0.0027	3"	1" IPS	0.12	3.35	5.59	4.03	1.02
12EICOL0401	4" X 1" IPS	7.4	30	360	0.440	0.0027	4"	1" IPS	0.12	3.35	5.59	4.03	1.02
12EICOL0601	6" X 1" IPS	7.4	30	360	0.440	0.0027	6"	1" IPS	0.12	3.35	5.59	4.03	1.02
12EICOL0801	8" X 1" IPS	7.4	30	360	0.440	0.0027	8"	1" IPS	0.12	3.35	5.59	4.03	1.02
12EICOL1001	10" X 1" IPS	7.4	30	360	0.440	0.0027	10"	1" IPS	0.12	3.35	5.59	4.03	1.02
12EICOL1201	12" X 1" IPS	7.4	30	360	0.440	0.0027	12"	1" IPS	0.12	3.35	5.59	4.03	1.02

Fittings may be fused on pipe with SDR'S 7.0 to 17.0

ELECTROFUSION FITTINGS



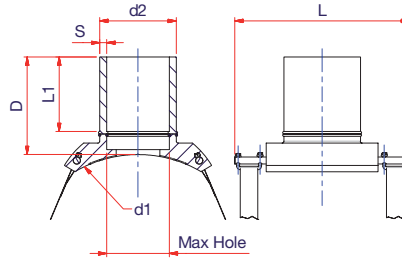
**BRANCH SADDLE
WITH BELT**

PE4710 230 PSI

Code	Nominal Size IPS	Max SDR	pcs/box	Q.ty pallet	Weight kg./p.	Volume m ³ /p.	d1	d2 (IPS)	S	L1	L	D	Max Hole
12EICOL03114	3" x 1-1/4"	7.4	40	480	0.500	0.0027	3"	1-1/4"	0.15	3.35	5.59	4.03	1.29
12EICOL04114	4" x 1-1/4"	7.4	30	360	0.500	0.0027	4"	1-1/4"	0.15	3.35	5.59	4.03	1.29
12EICOL06114	6" x 1-1/4"	7.4	30	360	0.500	0.0027	6"	1-1/4"	0.15	3.35	5.59	4.03	1.29
12EICOL08114	8" x 1-1/4"	7.4	30	360	0.500	0.0027	8"	1-1/4"	0.15	3.35	5.59	4.03	1.29
12EICOL10114	10" x 1-1/4"	7.4	30	360	0.500	0.0027	10"	1-1/4"	0.15	3.35	5.59	4.03	1.29
12EICOL12114	12" x 1-1/4"	7.4	30	360	0.500	0.0027	12"	1-1/4"	0.15	3.35	5.59	4.03	1.29
12EICOL0302	3" x 2"	7.4	30	360	0.500	0.0027	3"	2"	0.22	3.35	5.59	4.03	1.73
12EICOL0402	4" x 2"	7.4	30	360	0.500	0.0027	4"	2"	0.22	3.35	5.59	4.03	1.73
12EICOL0602	6" x 2"	7.4	30	360	0.500	0.0027	6"	2"	0.22	3.35	5.59	4.03	1.73
12EICOL0802	8" x 2"	7.4	30	360	0.500	0.0027	8"	2"	0.22	3.35	5.59	4.03	1.73
12EICOL1002	10" x 2"	7.4	30	360	0.500	0.0027	10"	2"	0.22	3.35	5.59	4.03	1.73
12EICOL1202	12" x 2"	7.4	30	360	0.500	0.0027	12"	2"	0.22	3.35	5.59	4.03	1.73
12EICOL0303	3" x 3"	7.4	10	120	1.080	0.0080	3"	3"	0.32	3.96	6.69	5.16	2.70
12EICOL0403	4" x 3"	7.4	15	180	1.027	0.0053	4"	3"	0.32	3.54	6.69	4.64	2.70
12EICOL0603	6" x 3"	7.4	15	180	1.027	0.0053	6"	3"	0.32	3.54	6.69	4.64	2.70
12EICOL0803	8" x 3"	7.4	6	72	1.500	0.0133	8"	3"	0.32	3.54	7.87	4.92	2.70
12EICOL1003	10" x 3"	7.4	6	72	1.500	0.0133	10"	3"	0.32	3.54	7.87	4.92	2.70
12EICOL1203	12" x 3"	7.4	6	72	1.500	0.0133	12"	3"	0.32	3.54	7.87	4.92	2.70
12EICOL0404	4" x 4"	7.4	10	120	1.708	0.0080	4"	4"	0.39	3.74	6.85	5.63	2.76
12EICOL0604	6" x 4"	7.4	8	96	1.525	0.0100	6"	4"	0.39	3.94	7.87	5.12	3.46
12EICOL0804	8" x 4"	7.4	5	60	1.800	0.0160	8"	4"	0.39	3.84	7.87	5.05	3.46
12EICOL1004	10" x 4"	7.4	6	72	1.750	0.0133	10"	4"	0.39	3.84	7.87	5.05	3.46
12EICOL1204	12" x 4"	7.4	5	60	1.780	0.0160	12"	4"	0.39	3.84	7.87	5.05	3.46

Fittings may be fused on pipe with SDR'S 7.0 to 17.0

ELECTROFUSION FITTINGS



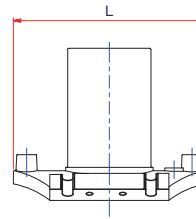
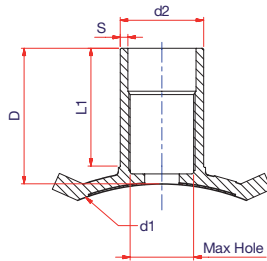
HIGH VOLUME BRANCH SADDLE WITH BELTS

Supplied with metal bars and belts for the installation.

PE4710 230 PSI

Code	Nominal Size IPS	Min DR	pcs/ box	Q.ty pallet	Weight kg./p.	Volume m ³ /p.	d1	d2 (IPS)	S	L1	L	D	Max Hole	
12EICOLTL0806	8" x 6"	-	2	24	6.500	0.0400	8"	6"	0.60	6.30	12.60	7.48	5.20	
12EICOLTL1006	10" x 6"	-	2	24	6.500	0.0400	10"	6"	0.60	6.30	12.60	7.87	5.20	
12EICOLTL1206	12" x 6"	-	2	24	6.500	0.0400	12"	6"	0.60	6.30	12.60	7.87	5.20	
12EICOLTL1406	14" x 6"	-	2	24	6.500	0.0400	14"	6"	0.60	6.30	12.60	7.87	5.20	
12EICOLTL1606	16" x 6"	-	2	24	6.250	0.0400	16"	6"	0.60	6.30	12.60	7.87	5.20	
12EICOLTL1806	18" x 6"	-	2	24	6.750	0.0400	18"	6"	0.60	6.30	12.60	7.87	5.20	
12EICOLTL2006	20" x 6"	-	2	24	6.250	0.0400	20"	6"	0.60	6.30	12.60	7.87	5.20	
12EICOLTL2206	22" x 6"	-	2	24	6.250	0.0400	22"	6"	0.60	6.30	12.60	7.87	5.20	
12EICOLTL2406	24" x 6"	-	2	24	6.400	0.0400	24"	6"	0.60	6.30	12.60	7.87	5.20	
12EICOLTL2806	28" x 6"	-	2	24	6.400	0.0400	28"	6"	0.60	6.30	12.60	7.87	5.20	
12EICOLTL3006	30" x 6"	-	2	24	6.250	0.0400	30"	6"	0.60	6.30	12.60	7.87	5.20	
12EICOLTL3206	32" x 6"	-	2	24	6.250	0.0400	32"	6"	0.60	6.30	12.60	7.87	5.20	
12EICOLTL3606	36" x 6"	-	2	24	6.250	0.0400	36"	6"	0.60	6.30	12.60	7.87	5.20	
12EICOLTL4006	40" x 6"	-	2	24	6.250	0.0400	40"	6"	0.60	6.30	12.60	7.87	5.20	
12EICOLTL1208	12" x 8"	-	-	-	-	-	12"	8"	0.78	8.66	19.68	10.63	6.90	on request
12EICOLTL1408	14" x 8"	-	-	-	-	-	14"	8"	0.78	8.66	19.68	10.63	6.90	on request
12EICOLTL1608	16" x 8"	-	-	-	-	-	16"	8"	0.78	8.66	19.68	10.63	6.90	on request
12EICOLTL1808	18" x 8"	-	-	-	-	-	18"	8"	0.78	8.66	19.68	10.63	6.90	on request
12EICOLTL2008	20" x 8"	-	-	-	-	-	20"	8"	0.78	8.66	19.68	10.63	6.90	on request
12EICOLTL2208	22" x 8"	-	-	-	-	-	22"	8"	0.78	8.66	19.68	10.63	6.90	on request
12EICOLTL2408	24" x 8"	-	-	-	-	-	24"	8"	0.78	8.66	19.68	10.63	6.90	on request
12EICOLTL2808	28" x 8"	-	-	-	-	-	28"	8"	0.78	8.66	19.68	10.63	6.90	on request
12EICOLTL3008	30" x 8"	-	-	-	-	-	30"	8"	0.78	8.66	19.68	10.63	6.90	on request
12EICOLTL3208	32" x 8"	-	-	-	-	-	32"	8"	0.78	8.66	19.68	10.63	6.90	on request
12EICOLTL3608	36" x 8"	-	-	-	-	-	36"	8"	0.78	8.66	19.68	10.63	6.90	on request
12EICOLTL4008	40" x 8"	-	-	-	-	-	40"	8"	0.78	8.66	19.68	10.63	6.90	on request

ELECTROFUSION FITTINGS

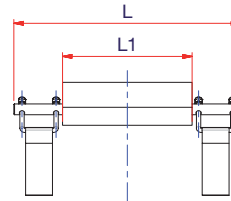
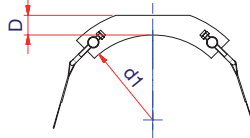


TOP LOAD HIGH VOLUME BRANCH SADDLE

Important: for the installation use the positioner Model. 00POS01.

PE4710 230 PSI

Code	Nominal Size IPS	Min DR	pcs/ box	Q.ty pallet	Weight kg./p.	Volume m ³ /p.	d1	d2 (IPS)	S	L1	L	D	Max Hole
12EICOLTL14242	14"÷24"x2"	-	30	360	-	0.0027	14"÷24"	2"	0.22"	3.35	5.59	4.03	1.73"



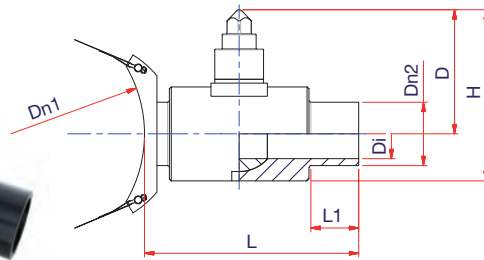
REPAIR SADDLE WITH BELTS

Supplied with metal bars and belts for the installation.

PE4710 230 PSI

Codice Code	Nominal Size IPS	Min DR	pcs/ box	Q.ty pallet	Weight kg./p.	Volume m ³ /p.	d1 (IPS)	D	L	L1
12EIRIP12	12"	17.6	1	-	6.000	-	12"	1.46	12.60	9.45
12EIRIP14	14"	17.6	1	-	6.000	-	14"	1.46	12.60	9.45
12EIRIP16	16"	17.6	1	-	6.000	-	16"	1.46	12.60	9.45
12EIRIP18	18"	17.6	1	-	6.000	-	18"	1.46	12.60	9.45
12EIRIP20	20"	17.6	1	-	6.000	-	20"	1.46	12.60	9.45
12EIRIP22	22"	17.6	1	-	6.000	-	22"	1.46	12.60	9.45
12EIRIP24	24"	17.6	1	-	6.000	-	24"	1.46	12.60	9.45
12EIRIP28	28"	17.6	1	-	6.000	-	28"	1.46	12.60	9.45
12EIRIP30	30"	17.6	1	-	6.000	-	30"	1.46	12.60	9.45
12EIRIP32	32"	17.6	1	-	6.000	-	32"	1.46	12.60	9.45
12EIRIP36	36"	17.6	1	-	6.000	-	36"	1.46	12.60	9.45
12EIRIP40	40"	17.6	1	-	6.000	-	40"	1.46	12.60	9.45

ELECTROFUSION FITTINGS



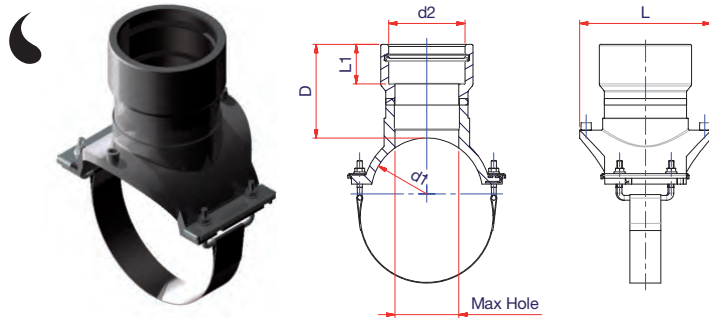
E/F SADDLE WITH VALVE FULL BORE

Article composed by: 12EICOLTL + 12EIVS

PE4710 230 PSI

Code	Nominal Size IPS	Min DR	pcs/box	Q.ty pallet	Weight kg./p.	Volume m ³ /p.	Dn1	Dn2	Di	D	H	L	L1	
12EICOLV0402	4" x 2"	-	-	-	-	-	4"	2"	1.85	6.4	9.1	24	3.6	on request
12EICOLV0602	6" x 2"	-	-	-	-	-	6"	2"	1.85	6.4	9.1	24	3.6	on request
12EICOLV0802	8" x 2"	-	-	-	-	-	8"	2"	1.85	6.4	9.1	24	3.6	on request
12EICOLV1002	10" x 2"	-	-	-	-	-	10"	2"	1.85	6.4	9.1	24	3.6	on request
12EICOLV1202	12" x 2"	-	-	-	-	-	12"	2"	1.85	6.4	9.1	24	3.6	on request
12EICOLV0403	4" x 3"	-	-	-	-	-	4"	3"	2.50	8.0	11.4	24	4.0	on request
12EICOLV0603	6" x 3"	-	-	-	-	-	6"	3"	2.50	8.0	11.4	24	4.0	on request
12EICOLV0803	8" x 3"	-	-	-	-	-	8"	3"	2.50	8.0	11.4	24	4.0	on request
12EICOLV1003	10" x 3"	-	-	-	-	-	10"	3"	2.50	8.0	11.4	24	4.0	on request
12EICOLV1203	12" x 3"	-	-	-	-	-	12"	3"	2.50	8.0	11.4	24	4.0	on request
12EICOLV0604	6" x 4"	-	-	-	-	-	6"	4"	3.62	10.4	15.0	24	4.5	on request
12EICOLV0804	8" x 4"	-	-	-	-	-	8"	4"	3.62	10.4	15.0	24	4.5	on request
12EICOLV1004	10" x 4"	-	-	-	-	-	10"	4"	3.62	10.4	15.0	24	4.5	on request
12EICOLV1204	12" x 4"	-	-	-	-	-	12"	4"	3.62	10.4	15.0	24	4.5	on request
12EICOLV0806	8" x 6"	-	-	-	-	-	8"	6"	5.20	12.6	18.6	24	5.0	on request
12EICOLV1006	10" x 6"	-	-	-	-	-	10"	6"	5.20	12.6	18.6	24	5.0	on request
12EICOLV1206	12" x 6"	-	-	-	-	-	12"	6"	5.20	12.6	18.6	24	5.0	on request
12EICOLV1406	14" x 6"	-	-	-	-	-	14"	6"	5.20	12.6	18.6	24	5.0	on request
12EICOLV1606	16" x 6"	-	-	-	-	-	16"	6"	5.20	12.6	18.6	24	5.0	on request
12EICOLV1806	18" x 6"	-	-	-	-	-	18"	6"	5.20	12.6	18.6	24	5.0	on request
12EICOLV2006	20" x 6"	-	-	-	-	-	20"	6"	5.20	12.6	18.6	24	5.0	on request
12EICOLV2206	22" x 6"	-	-	-	-	-	22"	6"	5.20	12.6	18.6	24	5.0	on request
12EICOLV2406	24" x 6"	-	-	-	-	-	24"	6"	5.20	12.6	18.6	24	5.0	on request
12EICOLV2806	28" x 6"	-	-	-	-	-	28"	6"	5.20	12.6	18.6	24	5.0	on request
12EICOLV3006	30" x 6"	-	-	-	-	-	30"	6"	5.20	12.6	18.6	24	5.0	on request
12EICOLV3206	32" x 6"	-	-	-	-	-	32"	6"	5.20	12.6	18.6	24	5.0	on request
12EICOLV3606	36" x 6"	-	-	-	-	-	36"	6"	5.20	12.6	18.6	24	5.0	on request
12EICOLV4006	40" x 6"	-	-	-	-	-	40"	6"	5.20	12.6	18.6	24	5.0	on request

ELECTROFUSION FITTINGS

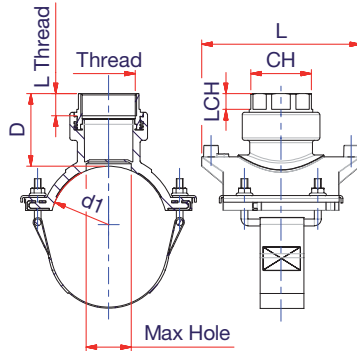


SEWAGE E/F BRANCH SADDLE WITH GASKET

PE4710

Code	Nominal Size	Max SDR	pcs/ box	Q.ty pallet	Weight kg./p.	Volume m ³ /p.	d1 (IPS)	d2 (IPS)	L1	L	D	Max Hole
12EICOLS0604	6"x4" IPS	-	6	72	1.700	0.0133	6"	4"	2.36	7.87	5.59	3.54
12EICOLS0804	8"x4" IPS	-	6	72	1.700	0.0133	8"	4"	2.36	7.87	5.59	3.54
12EICOLS1004	10"x4" IPS	-	6	72	1.700	0.0133	10"	4"	2.36	7.87	5.59	3.54
12EICOLS1204	12"x4" IPS	-	6	72	1.700	0.0133	12"	4"	2.36	7.87	5.59	3.54

ELECTROFUSION FITTINGS



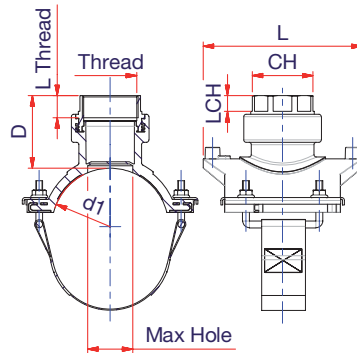
ELECTROFUSION TRANSITION SADDLE

PE4710 230 PSI

Code	Nominal Size IPS x NPT	pcs/ box	Q.ty pallet	Weight kg./p.	Volume m ³ /p.	d1 (IPS)	Thread (NPT)	L Thread	CH	LCH	L	D	Max Hole	
12EICOLF02034	2" x 3/4"	-	-	-	-	2"	3/4"	0.53	1.18	0.43	5.59	2.35	0.70	on request
12EICOLF03034	3" x 3/4"	-	-	-	-	3"	3/4"	0.53	1.18	0.43	5.59	2.35	0.70	on request
12EICOLF04034	4" x 3/4"	-	-	-	-	4"	3/4"	0.53	1.18	0.43	5.59	2.35	0.70	on request
12EICOLF06034	6" x 3/4"	-	-	-	-	6"	3/4"	0.53	1.18	0.43	5.59	2.35	0.70	on request
12EICOLF08034	8" x 3/4"	-	-	-	-	8"	3/4"	0.53	1.18	0.43	5.59	2.35	0.70	on request
12EICOLF10034	10" x 3/4"	-	-	-	-	10"	3/4"	0.53	1.18	0.43	5.59	2.35	0.70	on request
12EICOLF12034	12" x 3/4"	-	-	-	-	12"	3/4"	0.53	1.18	0.43	5.59	2.35	0.70	on request
12EICOLF0201	2" x 1"	-	-	-	-	2"	1"	0.66	1.49	0.43	5.59	2.83	0.90	on request
12EICOLF0301	3" x 1"	-	-	-	-	3"	1"	0.66	1.49	0.43	5.59	2.83	0.90	on request
12EICOLF0401	4" x 1"	-	-	-	-	4"	1"	0.66	1.49	0.43	5.59	2.83	0.90	on request
12EICOLF0601	6" x 1"	-	-	-	-	6"	1"	0.66	1.49	0.43	5.59	2.83	0.90	on request
12EICOLF0801	8" x 1"	-	-	-	-	8"	1"	0.66	1.49	0.43	5.59	2.83	0.90	on request
12EICOLF1001	10" x 1"	-	-	-	-	10"	1"	0.66	1.49	0.43	5.59	2.83	0.90	on request
12EICOLF1201	12" x 1"	-	-	-	-	12"	1"	0.66	1.49	0.43	5.59	2.83	0.90	on request
12EICOLF02114	2" x 1-1/4"	-	-	-	-	2"	1-1/4"	0.68	1.81	0.47	5.59	3.26	1.25	on request
12EICOLF03114	3" x 1-1/4"	-	-	-	-	3"	1-1/4"	0.68	1.81	0.47	5.59	3.26	1.25	on request
12EICOLF04114	4" x 1-1/4"	-	-	-	-	4"	1-1/4"	0.68	1.81	0.47	5.59	3.26	1.25	on request
12EICOLF06114	6" x 1-1/4"	-	-	-	-	6"	1-1/4"	0.68	1.81	0.47	5.59	3.26	1.25	on request
12EICOLF08114	8" x 1-1/4"	-	-	-	-	8"	1-1/4"	0.68	1.81	0.47	5.59	3.26	1.25	on request
12EICOLF10114	10" x 1-1/4"	-	-	-	-	10"	1-1/4"	0.68	1.81	0.47	5.59	3.26	1.25	on request
12EICOLF12114	12" x 1-1/4"	-	-	-	-	12"	1-1/4"	0.68	1.81	0.47	5.59	3.26	1.25	on request

Follows

ELECTROFUSION FITTINGS

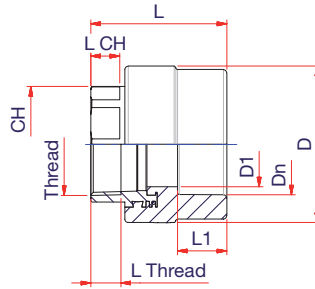


ELECTROFUSION TRANSITION SADDLE

PE4710 230 PSI

Code	Nominal Size IPS x NPT	pcs/ box	Q.ty pallet	Weight kg./p.	Volume m ³ /p.	d1 (IPS)	Thread (NPT)	L Thread	CH	LCH	L	D	Max Hole	
12EICOLF02112	2" x 1-1/2"	-	-	-	-	2"	1-1/2"	0.68	2.16	0.47	5.59	3.65	1.50	on request
12EICOLF03112	3" x 1-1/2"	-	-	-	-	3"	1-1/2"	0.68	2.16	0.47	5.59	3.65	1.50	on request
12EICOLF04112	4" x 1-1/2"	-	-	-	-	4"	1-1/2"	0.68	2.16	0.47	5.59	3.65	1.50	on request
12EICOLF06112	6" x 1-1/2"	-	-	-	-	6"	1-1/2"	0.68	2.16	0.47	5.59	3.65	1.50	on request
12EICOLF08112	8" x 1-1/2"	-	-	-	-	8"	1-1/2"	0.68	2.16	0.47	5.59	3.65	1.50	on request
12EICOLF10112	10" x 1-1/2"	-	-	-	-	10"	1-1/2"	0.68	2.16	0.47	5.59	3.65	1.50	on request
12EICOLF12112	12" x 1 1/2"	-	-	-	-	12"	1-1/2"	0.68	2.16	0.47	5.59	3.65	1.50	on request
12EICOLF0202	2" x 2"	-	-	-	-	2"	2"	0.70	2.56	0.67	5.59	4.32	1.90	on request
12EICOLF0302	3" x 2"	-	-	-	-	3"	2"	0.70	2.56	0.67	5.59	4.32	1.90	on request
12EICOLF0402	4" x 2"	-	-	-	-	4"	2"	0.70	2.56	0.67	5.59	4.32	1.90	on request
12EICOLF0602	6" x 2"	-	-	-	-	6"	2"	0.70	2.56	0.67	5.59	4.32	1.90	on request
12EICOLF0802	8" x 2"	-	-	-	-	8"	2"	0.70	2.56	0.67	5.59	4.32	1.90	on request
12EICOLF1002	10" x 2"	-	-	-	-	10"	2"	0.70	2.56	0.67	5.59	4.32	1.90	on request
12EICOLF1202	12" x 2"	-	-	-	-	12"	2"	0.70	2.56	0.67	5.59	4.32	1.90	on request

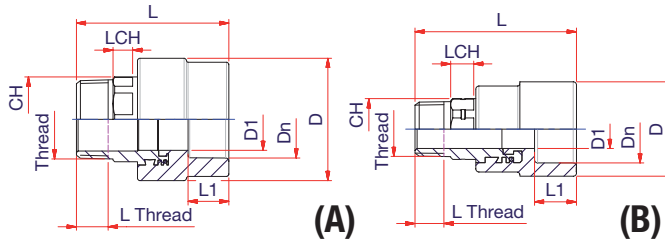
SOCKET FUSION FITTINGS



FEMALE SOCKET FUSION TO BRASS NPT

PE4710 230 PSI

Code	Nominal Size IPSxNPT	pcs/box	Q.ty pallet	Weight kg./p.	Volume m ³ /p.	Dn (IPS)	Thread (NPT)	L Thread	L	L1	D	D1	CH	L CH
12EIRFFS03434	3/4" x 3/4"	50	4,800	0.110	0.0002	3/4"	3/4"	0.53	2.28	0.67	1.65	0.73	1.18	0.43
12EIRFFS0134	1" x 3/4"	-	-	-	-	1"	3/4"	0.53	2.36	0.79	1.77	0.73	1.18	0.43
12EIRFFS0101	1" x 1"	30	2,880	-	0.0003	1"	1"	0.66	2.56	0.79	2.13	0.94	1.49	0.43
12EIRFFS11434	1-1/4" x 3/4"	-	-	-	-	1-1/4"	3/4"	0.53	2.48	0.90	2.16	0.73	1.18	0.43
12EIRFFS11401	1-1/4" x 1"	-	-	-	-	1-1/4"	1"	-	-	-	-	-	-	-
12EIRFFS114114	1-1/4" x 1-1/4"	20	1,920	0.320	0.0005	1-1/4"	1-1/4"	0.68	2.71	0.86	2.56	1.30	1.81	0.47
12EIRFFS112112	1-1/2" x 1-1/2"	18	1,384	0.433	0.0004	1-1/2"	1-1/2"	0.68	2.79	0.98	2.95	1.55	2.16	0.47
12EIRFFS02112	2" x 1-1/2"	-	-	-	-	2"	1-1/2"	0.68	2.95	1.14	3.46	1.55	2.16	0.47
12EIRFFS0202	2" x 2"	6	576	0.616	0.0014	2"	2"	0.70	3.15	1.14	3.62	1.97	2.56	0.67

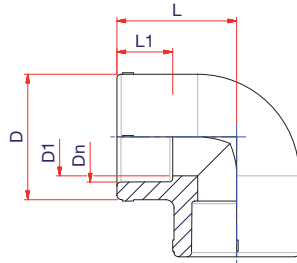


MALE SOCKET FUSION TO BRASS NPT

PE4710 230 PSI

Code	Nominal Size IPSxNPT	pcs/box	Q.ty pallet	Weight kg./p.	Volume m ³ /p.	Dn (IPS)	Thread (NPT)	L Thread	L	L1	D	D1	CH	L CH
12EIRFMS034034 (A)	3/4" x 3/4"	50	4,400	0.164	0.0017	3/4"	3/4"	0.54	2.95	0.67	1.65	0.73	1.06	0.43
12EIRFMS0134 (B)	1" x 3/4"	40	3,840	0.173	0.0002	1"	3/4"	0.54	3.03	0.79	1.77	0.73	1.06	0.43
12EIRFMS0101 (A)	1" x 1"	26	2,880	0.270	0.0003	1"	1"	0.68	3.31	0.79	2.12	0.94	1.34	0.37
12EIRFMS114034 (B)	1-1/4" x 3/4"	30	2,880	0.188	0.0003	1-1/4"	3/4"	0.54	3.15	0.90	1.16	0.73	1.06	0.43
12EIRFMS11401 (A)	1-1/4" x 1"	20	1,920	0.288	0.0005	1-1/4"	1"	0.68	3.38	0.86	2.20	0.94	1.34	0.37
12EIRFMS114114 (A)	1-1/4" x 1-1/4"	15	1,440	0.380	0.0006	1-1/4"	1-1/4"	0.71	3.58	0.86	2.56	1.30	1.65	0.47
12EIRFMS112112 (A)	1-1/2" x 1-1/2"	12	1,320	0.510	0.0009	1-1/2"	1-1/2"	0.72	3.68	0.98	2.95	1.49	1.97	0.47
12EIRFMS0202 (A)	2" x 2"	6	1,056	0.800	0.0015	2"	2"	0.75	4.13	1.14	3.62	1.97	2.36	0.59

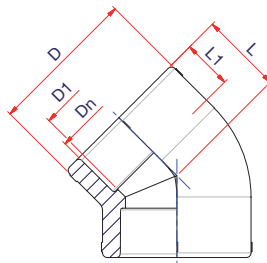
SOCKET FUSION FITTINGS



SOCKET FUSION 90° ELBOW

PE4710 230 PSI

Code	Nominal Size IPS	pcs/box	Q.ty pallet	Weight kg./p.	Volume m ³ /p.	Dn (IPS)	L	L1	D	D1
12EISG34	3/4"	-	-	-	-	3/4"	1.46	0.67	1.38	0.86
12EISG01	1"	-	-	-	-	1"	1.69	0.79	1.77	1.10
12EISG114	1-1/4"	40	1,920	0.108	0.0004	1-1/4"	1.93	0.90	2.16	1.41
12EISG112	1-1/2"	40	1,920	0.109	0.0004	1-1/2"	2.28	0.98	2.48	1.69
12EISG02	2"	-	-	-	-	2"	2.60	1.02	2.99	2.12

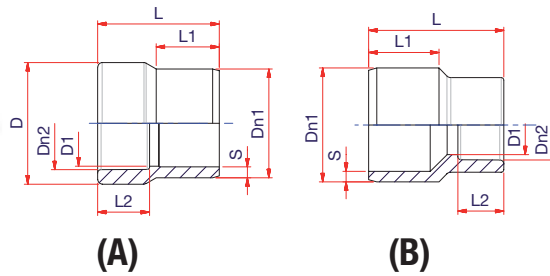


SOCKET FUSION 45° ELBOW

PE4710 230 PSI

Code	Nominal Size IPS	pcs/box	Q.ty pallet	Weight kg./p.	Volume m ³ /p.	Dn (IPS)	L	L1	D	D1
12EISC45114	1-1/4"	60	2,880	0.065	0.0003	1-1/4"	1.38	0.90	2.09	1.42
12EISC4502	2"	-	-	-	-	2"	1.69	1.02	3.07	2.12

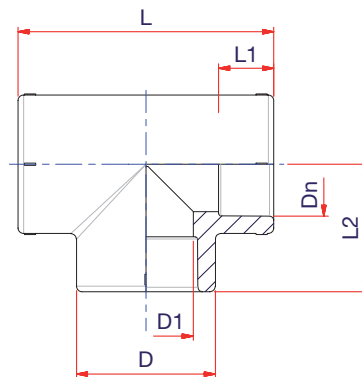
SOCKET FUSION FITTINGS



**SOCKET FUSION
REDUCING BUSHINGS**

PE4710 230 PSI

Code	Nominal Size IPS	pcs/ box	Q.ty pallet	Weight kg./p.	Volume m ³ /p.	Dn1 (IPS)	S	L1	Dn2 (IPS)	L2	D1	L	D
12EIRS114034 (B)	1-1/4" - 3/4"	150	7200	0.026	0.0001	1-1/4"	0.15	1.02	3/4"	0.67	0.87	1.97	1.38
12EIRS11401 (A)	1-1/4" - 1"	100	4800	0.034	0.0002	1-1/4"	0.15	1.02	1"	0.79	1.10	1.97	1.78
12EIRS112034 (B)	1-1/2" - 3/4"	144	6912	0.031	0.0001	1-1/2"	0.19	1.10	3/4"	0.67	0.91	2.05	1.34
12EIRS11201 (B)	1-1/2" - 1"	108	5184	0.034	0.0002	1-1/2"	0.19	1.10	1"	0.79	1.22	2.05	1.73
12EIRS112114 (A)	1-1/2" - 1-1/4"	90	4320	0.043	0.0002	1-1/2"	0.19	1.10	1-1/4"	0.91	1.50	2.13	2.13
12EIRS02034 (B)	2" - 3/4"	80	3840	0.055	0.0002	2"	0.24	1.26	3/4"	0.67	0.91	2.32	1.34
12EIRS0201 (B)	2" - 1"	80	3840	0.058	0.0002	2"	0.24	1.26	1"	0.79	1.22	2.32	1.73
12EIRS02114 (B)	2" - 1-1/4"	60	2880	0.063	0.0003	2"	0.24	1.26	1-1/4"	0.91	1.50	2.32	2.13
12EIRS02112 (A)	2" - 1-1/2"	50	2400	0.074	0.0003	2"	0.22	1.26	1-1/2"	0.98	1.69	2.36	2.48

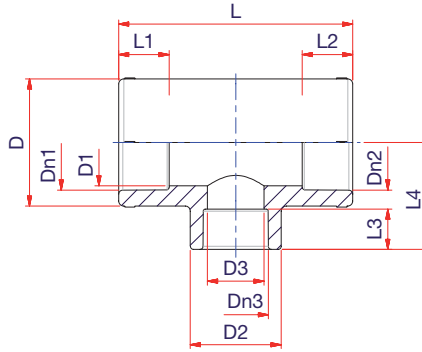


SOCKET FUSION TEE

PE4710 230 PSI

Code	Nominal Size IPS	pcs/ box	Q.ty pallet	Weight kg./p.	Volume m ³ /p.	Dn (IPS)	L1	D1	L	D	L2
12EIST034	3/4"	-	-	-	-	3/4"	0.67	0.87	2.91	1.38	1.45
12EIST114	1-1/4"	-	-	-	-	1-1/4"	0.91	1.42	3.86	2.16	1.93
12EIST112	1-1/2"	15	720	0.210	0.0011	1-1/2"	0.98	1.69	4.57	2.48	2.28
12EIST02	2"	-	-	-	-	2"	1.02	2.13	5.20	3.07	2.60

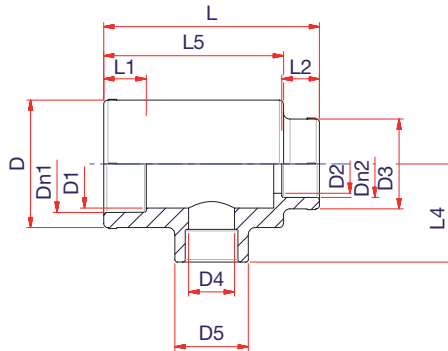
SOCKET FUSION FITTINGS



**SOCKET FUSION
REDUCEDR TEE**

PE4710 230 PSI

Code	Nominal Size IPS	pcs/ box	Q.ty pallet	Weight kg./p.	Volume m ³ /p.	Dn1 (IPS)	L1	D1	Dn2 (IPS)	L2	Dn3 (IPS)	L3	D3	L	L4	D	D2
12EISTR114114034	1-1/4" - 1-1/4" - 3/4"	30	1,440	0.125	0.0006	1-1/4"	0.91	1.42	1-1/4"	0.91	3/4"	0.67	0.87	3.86	1.69	2.16	1.38
12EISTR11411401	1-1/4" - 1-1/4" - 1"	30	1,440	0.130	0.0006	1-1/4"	0.91	1.42	1-1/4"	0.91	1"	0.79	1.10	3.86	1.81	2.16	1.77
12EISTR112112034	1-1/2" - 1-1/2" - 3/4"	20	960	0.183	0.0008	1-1/2"	0.98	1.69	1-1/2"	0.98	3/4"	0.67	0.87	4.57	1.97	2.48	1.38
12EISTR11211201	1-1/2" - 1-1/2" - 1"	20	240	0.188	0.0040	1-1/2"	0.98	1.69	1-1/2"	0.98	1"	0.79	1.10	4.57	2.09	2.48	1.77
12EISTR112112114	1-1/2" - 1-1/2" - 1-1/4"	20	960	0.190	0.0008	1-1/2"	0.98	1.69	1-1/2"	0.98	1-1/4"	0.91	1.41	4.57	2.20	2.48	2.16
12EISTRO202034	2" - 2" - 3/4"	12	144	0.300	0.0066	2"	1.02	2.13	2"	1.02	3/4"	0.67	0.87	5.20	2.24	3.07	1.38
12EISTRO20201	2" - 2" - 1"	-	-	-	-	2"	1.02	2.13	2"	1.02	1"	0.79	1.10	5.20	2.36	3.07	1.77
12EISTRO202114	2" - 2" - 1-1/4"	-	-	-	-	2"	1.02	2.13	2"	1.02	1-1/4"	0.91	1.42	5.20	2.48	3.07	2.16



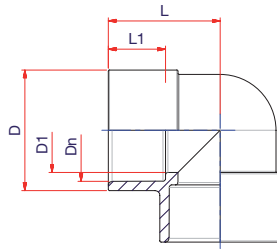
**SOCKET FUSION
REDUCEDR TEE**

PE4710 230 PSI

Code	Nominal Size IPS	pcs/ box	Q.ty pallet	Weight kg./p.	Volume m ³ /p.	Dn1 (IPS)	L1	D1	Dn2 (IPS)	L2	D2	Dn3 (IPS)	L3	D4	L	L4	L5	D	D3	D5
12EISTR114034034	1-1/4" - 3/4" - 3/4"	30	1,440	0.000	0.0006	1-1/4"	0.91	1.42	3/4"	0.67	0.87	3/4"	0.67	0.87	3.86	1.69	3.23	2.16	1.38	1.38
12EISTR1140101	1-1/4" - 1" - 1"	30	1,440	0.130	0.0006	1-1/4"	0.91	1.42	1"	0.79	1.10	1"	0.79	1.10	3.86	1.81	3.15	2.16	1.77	1.77
12EISTR112114034	1-1/2" - 1-1/4" - 3/4"	20	960	0.177	0.0008	1-1/2"	0.98	1.69	1-1/4"	0.91	1.42	3/4"	0.67	0.87	4.57	1.97	3.70	2.48	2.16	1.38
12EISTR11211401	1-1/2" - 1-1/4" - 1"	20	960	0.185	0.0008	1-1/2"	0.98	1.69	1-1/4"	0.91	1.42	1"	0.79	1.10	4.57	2.09	3.70	2.48	2.16	1.77
12EISTR112114114	1-1/2" - 1-1/4" - 1-1/4"	20	960	0.195	0.0008	1-1/2"	0.98	1.69	1-1/4"	0.91	1.42	1-1/4"	0.91	1.42	4.57	2.20	3.70	2.48	2.16	2.16
12EISTRO2114034	2" - 1-1/4" - 3/4"	12	576	0.290	0.0014	2"	1.02	2.13	1-1/4"	0.91	1.42	3/4"	0.67	0.87	5.20	2.24	4.33	3.07	2.16	1.38
12EISTRO211401	2" - 1-1/4" - 1"	-	-	-	-	2"	1.02	2.13	1-1/4"	0.91	1.42	1"	0.79	1.10	5.20	2.36	4.33	3.07	2.16	1.77
12EISTRO2112034	2" - 1-1/2" - 3/4"	12	576	0.290	0.0014	2"	1.02	2.13	1-1/2"	0.98	1.69	3/4"	0.67	0.87	5.20	2.24	4.33	3.07	3.07	1.38
12EISTRO211201	2" - 1-1/2" - 1"	-	-	-	-	2"	1.02	2.13	1-1/2"	0.98	1.69	1"	0.79	1.10	5.20	2.36	4.33	3.07	3.07	1.77



SOCKET FUSION FITTINGS

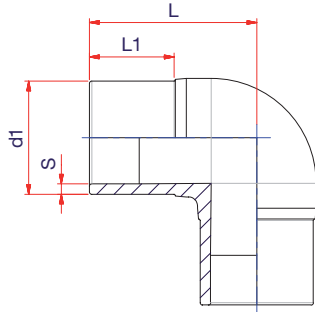


**SOCKET FUSION GEOTHERMAL
90° ELBOW**

PE4710

Code	Nominal Size IPS	pcs/box	Q.ty pallet	Weight kg./p.	Volume m ³ /p.	Dn (IPS)	L	L1	D	D1
12EISGG114	1-1/4"	50	2,400	0.060	0.0003	1-1/4"	1.77	0.90	1.91	1.34

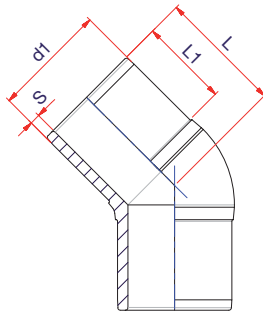
BUTT FUSION FITTINGS



90° ELBOW LONG SPIGOT

PE4710 230 PSI

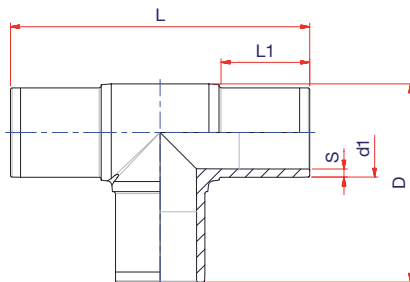
Code	Nominal Size	pcs/box	Q.ty pallet	Weight kg./p.	Volume m ³ /p.	d1	S	Lc	L
12EIG03	3"	24	288	0.742	0.0033	3"	0.32	3.50	5.75



45° ELBOW LONG SPIGOT

PE4710 230 PSI

Code	Nominal Size	pcs/box	Q.ty pallet	Weight kg./p.	Volume m ³ /p.	d1	S	Lc	L
12EIC03	3"	25	300	0.640	0.0032	3"	0.32	3.50	4.50

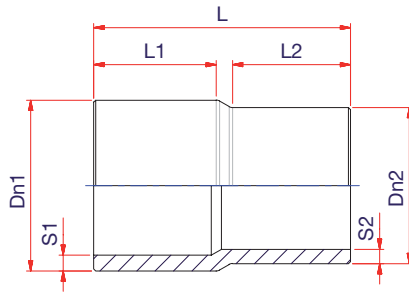


90° TEE LONG SPIGOT

PE4710 230 PSI

Code	Nominal Size	pcs/box	Q.ty pallet	Weight kg./p.	Volume m ³ /p.	d1	S	Lc	L	D
12EIT03	3"	15	180	1.000	0.0053	3"	0.32	3.46	11.69	7.75

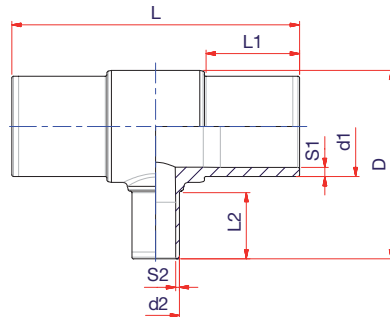
BUTT FUSION FITTINGS



METRIC SPIGOT REDUCER

PE4710 230 PSI

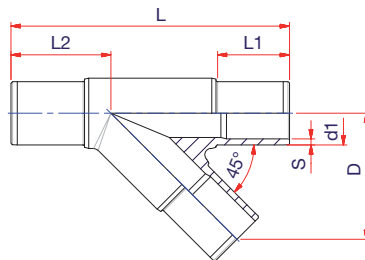
Code	Nominal Size	pcs/ box	Q.ty pallet	Weight kg./p.	Volume m ³ /p.	Dn1	S1	Dn2	S2	L	L1	L2
12EIRD4001	40mm x 1" IPS	30	2880	0.052	0.0003	40mm	0.15	1" IPS	0.12	4.25	2.12	1.90
12EIRD11240	1-1/2" IPS x 40 mm	24	2304	0.075	0.0004	1-1/2" IPS	0.18	40 mm	0.15	4.80	2.39	2.12
12EIRD6302	63mm x 2" IPS	10	960	0.165	0.0009	63mm	0.23	2" IPS	0.22	5.31	2.60	2.62
12EIRD1204	125mm x 4" IPS	9	216	0.806	0.0047	125mm	0.45	4" IPS	0.41	7.40	3.58	3.45
12EIRD0616	6" IPS x 160 mm	4	96	1.788	0.0105	6" IPS	0.61	160 mm	0.58	8.85	4.33	4.27



**LONG SPIGOT
90° REDUCING TEE**

PE4710 230 PSI

Code	Nominal Size	pcs/ box	Q.ty pallet	Weight kg./p.	Volume m ³ /p.	d1	S1	L1	d2	S2	L2	D	L
12EITRS0301	3"x1"	-	-	-	-	3"	0.32	3.25	1"	0.12	2.30	6.56	10
12EITRS03114	3"x1-1/4"	-	-	-	-	3"	0.32	3.25	1-1/4"	0.13	2.30	6.56	10
12EITRS0302	3"x2"	-	-	-	-	3"	0.32	3.25	2"	0.22	2.68	6.95	10

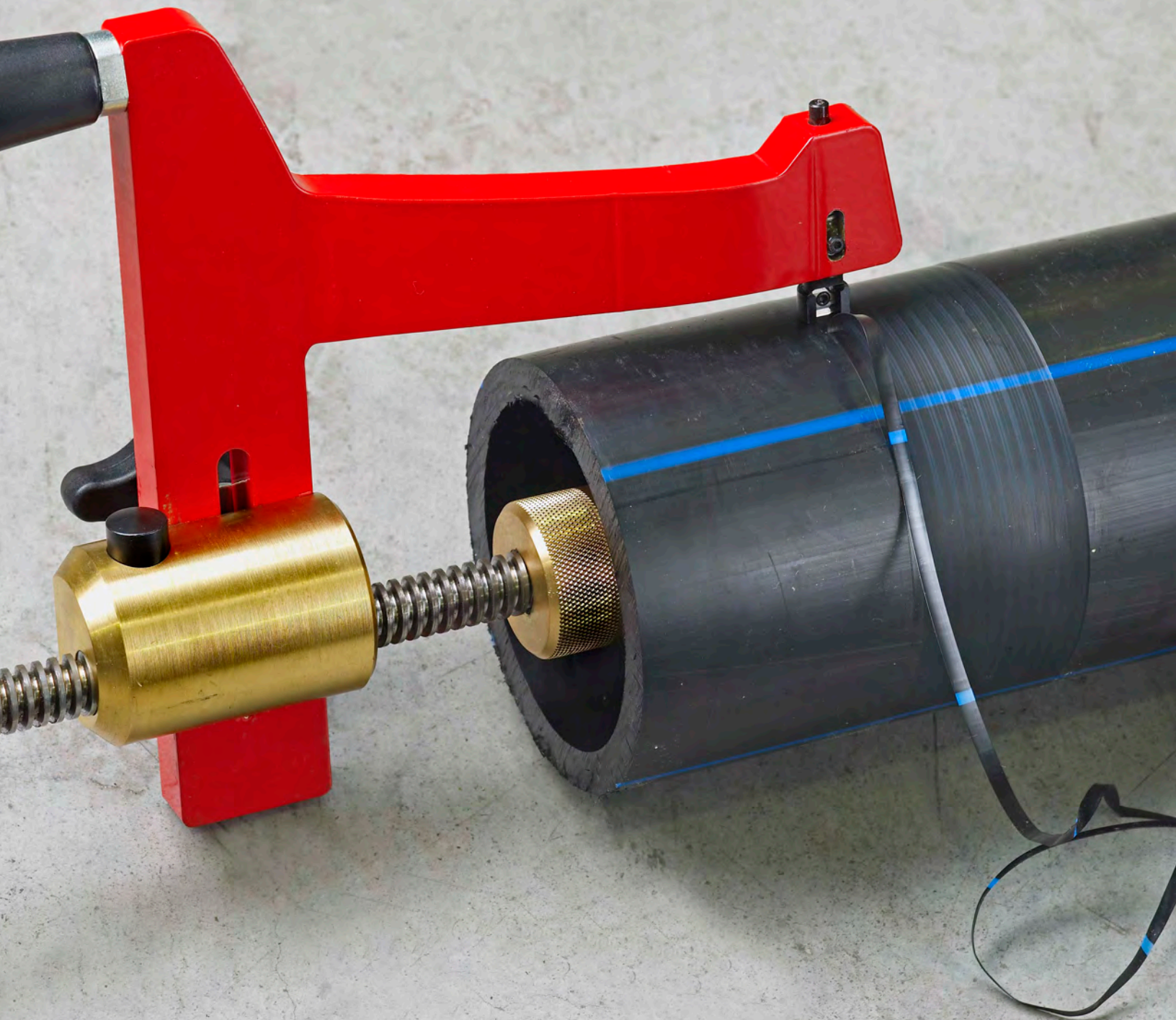


**LONG SPIGOT
WYE FITTING**

PE4710 230 PSI

Code	Nominal Size	pcs/ box	Q.ty pallet	Weight kg./p.	Volume m ³ /p.	d1	S	L1	L2	D	L
12EIT4502	2"	-	-	-	-	2"	0.22	2.70	3.74	10.43	4.72

EQUIPMENT

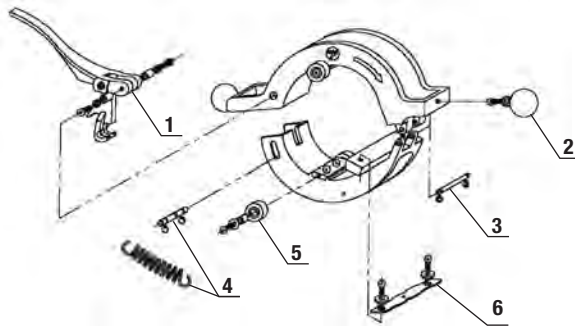


EQUIPMENT



MAIN SCRAPERS

Code	Nominal Size IPS	pcs/box	Weight kg./p.	Volume m ³ /p.
00EMS0114	1-1/4" IPS	1	1.360	-
00EMS02	2" IPS	1	1.360	-
00EMS03	3" IPS	1	1.810	-
00EMS04	4" IPS	1	1.810	-
00EMS06	6" IPS	1	3.180	-
00EMS08	8" IPS	1	3.630	-
00EMS01140	1-1/4"-2" Insert Stiffener	1	-	-



MAIN SCRAPER PARTS AND ACCESSORIES

(for article 00EMS)

Code	Nominal Size IPS	pcs/box	Weight kg./p.	Volume m ³ /p.
1. Latch Assembly Kit				
00LATCHK11402	1-1/4" IPS & 2" IPS	1	-	
00LATCHK0304	3" IPS & 4" IPS	1	-	ENVELOPE
00LATCH0608	6" IPS & 8" IPS	1	-	
2. Knob Assembly Kit				
00KNOBK11402	1-1/4" IPS & 2" IPS	1	-	ENVELOPE
00KNOBK0308	3" IPS - 8" IPS	1	-	
3. Main Hinge Kit				
00MHINGE11404	1-1/4" IPS - 4" IPS	1	-	ENVELOPE
00MHINGE0608	6" IPS & 8" IPS	1	-	
4. Springs Kits				
00SPRING11402	1-1/4" IPS - 2" IPS	1	-	ENVELOPE
00SPRING0308	3" IPS - 8" IPS	1	-	
5. Wheel Kit				
00WHEELK11402	1-1/4" IPS & 2" IPS	1	-	
00WHEELK0304	3" IPS & 4" IPS	1	-	ENVELOPE
00WHEELK06	6" IPS	1	-	
00WHEELK08	8" IPS	1	-	
6. Spare Blades-Main Scraper				
00BLADE1140203	1-1/4", 2", 3"	1	-	
00BLADE04	4"	1	-	ENVELOPE
00BLADE0608	6", 8"	1	-	

EQUIPMENT



REVOLVING SCRAPER

Code	Nominal Size IPS	Nominal Size DIPS	pcs/box	Weight kg./p.	Volume m ³ /p.
00RAT1A	2" 1/2 - 6"	4" - 6"	1	4.800	0.0243
00RAT2A	8" - 16"	8" - 14"	1	8.400	0.0262
00RAT3A	18" - 24"	16" - 24"	1	32.800	0.2091
SPARE BLADE					
00RATKITRIC	for RAT1A/RAT2A/RAT3A		1	0,030	0.0001



REVOLVING SCRAPER

Code Codice	∅	pcs/box	Weight kg./p.	Volume m ³ /p.
00RATOR25075 (A)	1/2" - 2" 1/2	1	-	-
00RATOR63200 (B)	2" - 6"	1	-	-
SPARE BLADE				
00RATOR63200LR	for 00RATOR63200	1	-	ENVELOPE

EQUIPMENT



TELESCOPIC SCRAPER

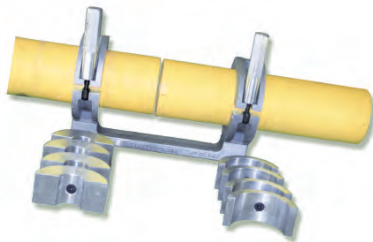
Code	Nominal Size IPS	pcs/box	Weight kg./p.	Volume m ³ /p.
00RAT1	1" - 4"	1	4.400	0.0228
00RAT2	4" - 20"	1	11.400	0,0575
SPARE BLADE				
00RATLR	for RAT1/RAT2	10	0,021	0,00001

EQUIPMENT



SERVICE TUBING ALIGNMENT CLAMPS

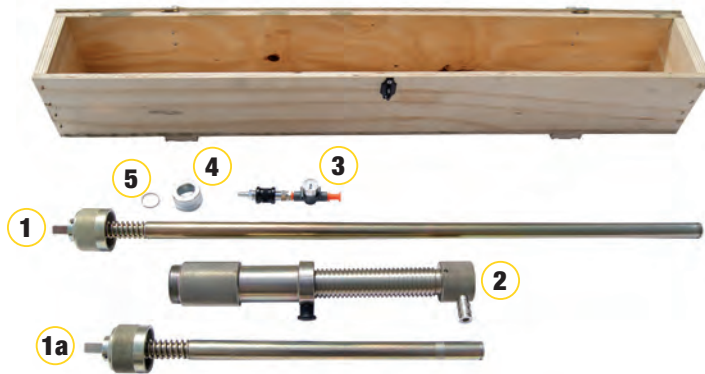
Code	Nominal Size	pcs/box	Weight kg./p.	Volume m ³ /p.
<i>Tube Clamps</i>				
00PIPECLM12C	1/2" CTS	1	1.360	
00PIPECLM12I	1/2" IPS	1	1.360	
00PIPECLM34I*	3/4" IPS	1	1.360	
00PIPECLM1C	1" CTS	1	1.360	
00PIPECLM1I	1" IPS	1	1.360	
<i>Combination Clamps</i>				
00CLM34I12C12C	3/4" IPS x 1/2" CTS x 1/2" CTS	1		
00CLM34I12C12I	3/4" IPS x 1/2" CTS x 1/2" IPS	1		
<i>Reducer Clamps</i>				
00RDCLM34I12C	3/4" IPS x 1/2" CTS	1		
00RDCLM34I12I	3/4" IPS x 1/2" IPS	1		
00RDCLM1C34I	1" CTS x 3/4" IPS	1		
00RDCLM1I34I	1" IPS x 3/4" IPS	1		



MAIN SIZE ALIGNMENT CLAMPS

Code	Nominal Size IPS	pcs/box	Weight kg./p.	Volume m ³ /p.
00CLAMP02	2" IPS Clamp	1	10.890	
00SHELLS114	1-1/4" Shells	1		
00SHORTCLAMPK	Short Clamp Repair Kit	1		
00HANDLE	Hex Handle Assembly	1		
00KNOBKIT	2" Adjustable Knob Repair Kit	1		
00CLAMPREPK	2" Clamp Repair Kit	1		
00CLAMP04	4" IPS CLAMP	1	4.080	
00CLAMP03	3" Shells	1		
00CLAMP02	2" Shells	1		
00CLAMP0114	1-1/4" Shells	1		
00CLAMP08	8" IPS CLAMP	1	2.270	
00CLAMP0608	6" Shells for 8" IPS	1		

EQUIPMENT



UNDER PRESSURE DRILLING MACHINE FOR PE PIPELINES

Tools for high volume branch saddles ('TL' type)

Supplied with: cutter support and starter bit not included: ratchet wrench, cutters and adapters.

Code	ø saddle	outlet ø	pcs/box	Weight kg./p.	Volume m ³ /p.
00FP	ALL	2" - 3" - 4" - 6" - 8"	1	14,000	0,0146

The package includes:

1. Long shaft for drilling under pressure and non-pressured lines
- 1a. Short shaft for non-pressured drilling
2. Body with threaded shaft, vent valve and safety lock
3. Pressure gauge with valve for measuring and depressurizing
4. Ring nut for holding the cutter
5. Seeger ring

Spare parts

Code	Description
00FPSHAFTL	Long shaft (1)
00FPSHAFTS	Short shaft (1a)
00FPGAUGE	Pressure gauge (3)
00FPNUT	Ring nut (4)
00FPBOX1	Transporting box
00FPSPARE	Spare parts bag (2 pcs seeger ring; 2 pcs elastic plugs, upper o-rings)



EQUIPMENT



ADAPTER FOR DRILLING MACHINE

Code	ø outlet	pcs/ box	Weight kg/pcs	Volume m ³ /pcs
00IFA02	2"	1	-	-
00IFA03	3"	1	-	-
00IFA04	4"	1	-	-
00IFA06	6"	1	-	-
00IFA08	8"	1	-	-



POSITIONER FOR TOP LOAD SADDLES

Positioner for saddles without belt with ø2" outlet

Use for article:

12EIPRESTL14242

12EICOL14242

Code	Top Load Outlet	pcs/ box	Weight kg./p.	Volume m ³ /p.
00POS01	2"	1	3,200	0,0089

EQUIPMENT



CUTTER

Code	ø outlet	ø drilling hole	pcs/ box	Weight kg./p.	Volume m ³ /p.
00FF020	for EIPAL 2"	-	1	-	-
00FF214	for EIPAL 2-1/4"	-	1	-	-
00FF06302	2"	1.75"	1	-	-
00FF09003	3"	2.75"	1	-	-
00FF11004	4"	3.25"	1	-	-
00FF16006	6"	4.725"	1	-	-
00FF08	8"	-	1	-	-



RATCHET WRENCH

Code	application	pcs/ box	Weight kg./p.	Volume m ³ /p.
00FPWRENCH	for 00FP	1	-	-

WELDING UNITS



nupigeco 



WIRELESS
CONNECTION

CE



Specialized by:
NETWORK SpA - Italy -
www.nupigeco.com - info@nupigeco.com



Manufactured by:
NETWORK SpA - Italy -



WELDING UNITS



The welding unit, manufactured in compliance with UNI 10566 Standard, has been designed for the welding of all electrofusion fittings utilizing the 24 digit barcode system (per ISO 13950). The unit has a peak amperage of 75 amps. The welding unit can be operated in seven different languages (Italian, English, French, Spanish, German, Dutch and Portuguese). There is also a special version for the Russian language. Data can be put in automatically with the barcode scanner or manually by entering welding data (time and voltage) related to the fitting in use.

During the welding cycle, the large backlit display shows the heating time, power consumption, voltage and energy used.

The welding unit has the capacity to store the parameters of 300 welding cycles and to communicate with a PC, a printer or DLU by means of wireless Bluetooth technology.

THE INTERNAL SOFTWARE, DEVELOPED ESPECIALLY FOR THIS WELDING UNIT, ENABLES THE USER TO:

- DOWNLOAD WELDING REPORTS (to PC or to printer)
- RECORD THE TRACEABILITY OF THE FITTING
- FIND THE GPS COORDINATES OF THE FITTING
- TEST THE PRESSURISED FLUID DISTRIBUTION NETWORKS

Welding range: All NIPI sizes.

BASIC EQUIPMENT SUPPLIED WITH THE WELDING UNIT:

- User's handbook (CD and quick guide on paper)
- Software CD
- Shipping box
- Barcode scanner for barcode input
- Adapters with 4.7 mm pins

ADDITIONAL EQUIPMENT AND SPARE PARTS:

- **00EDP900:** Software CD and Bluetooth pen drive for reports, traceability, GPS coordinates and pressure test)
- **00BTPRINT:** Bluetooth printer
- **00DLU:** External downloading unit
- **00GPS:** Global Positioning System
- **00SENSxxx:** Pressure test unit
- **00BCSCAN:** Barcode scanner

TECHNICAL CHARACTERISTICS:

Conforms with CE requirements. Conforms with UNI 10566 – MULTIFUNCTION type
Barcode reader conforming with ISO 13950 and manual setting of time and voltage
Illuminated display with 4 lines, 20 characters each
Memory for 300 welding cycles
8 Memories of 500 parameters each for pressure tests
Fittings working range up to 100 Amp maximum peak
Ambient temperature sensor
Power supply: 230V / 115V / 48V E 50Hz/60Hz
Maximum power: 2500 VA
Output voltage: from 5 to 42 V
Power cable: L= 12 feet (3,8 m)
Welding cable: L=9 feet (3 m)
Connectors - 4 mm (art. 00S8305) with adaptors for 4.7mm (00S8203)
Dimensions: 12,2x8,26x17,72 in (0,31x0,21x0,45 m)
Weight: 230V 55,5 lb (25,2 kg) – 48V 29,1 lb (13,2 kg)
Degree of protection: IP 54
Working temperature: from 0 to 131 F (-18° to + 55°C)



AUTOMATIC MULTIFUNCTION WELDING UNIT WITH BARCODE SCANNER AND INTEGRATED BLUETOOTH SYSTEM

Code	Voltage	Amp	Nominal Size IPS	pcs/box	Weight kg./p.	Volume m³/p.	USD/p.
00E9001/110	110	75	all NUPI sizes	1	13,200	0,0600	5,000.00,00

supplied with: shipping box, adapter for connection of fittings 4.7 mm pins, instruction manual and Ce conformity declaration

WELDING UNITS



SOFTWARE CD AND BLUETOOTH USB DRIVE TO DOWNLOAD DATA

Code	Description	pcs/ box	Weight kg./p.	Volume m ³ /p.	USD/p.
00EDP900	software CD and Bluetooth USB drive	1	0.196	0.0020	100.00



GLOBAL POSITIONING SYSTEM (GPS)

When utilizing the global positioning system (00GPS), the welding unit records the geographical coordinates of the welded fittings, enabling the traceability of the fitting years after their installation.

Code	pcs/ box	Weight kg./p.	Volume m ³ /p.	USD/p.
00GPS	1	0.355	0.0018	400.00

WELDING UNITS



BLUETOOTH PRINTER

Small portable printer to print out the welding report after the welding.

Code Codice	pcs/ box	Weight kg./p.	Volume m ³ /p.	USD/p.
00BTPRINT	1	0.367	0.750	1.200,00

supplied with: cd and cable



EXTERNAL DOWNLOADING UNIT

External unit using the Bluetooth technology.

By the connection with a USB cable to a PC it is possible to download the data in an Excel file.

Code	pcs/ box	Weight kg./p.	Volume m ³ /p.	USD/p.
00DLU	1	0.367	0.002	on request

WELDING UNITS



SPT & HVSPPT TOOLS AND ACCESSORIES

Code	Nominal Size	pcs/box	Weight kg./p.	Volume m ³ /p.
SPT/HVSPPT Tapping tools				
00SPTHEXT (1)	SPT Hex Tool			
00HVSPTHEXT (2)	HVSPPT Hex Tool			
SPT/HVSPPT Pressure Test Equipment				
00SPTESTCAP	SPT Test Cap			
00114TESTCAP	1-1/4" Outlet Test Cap			
0002TESTCAP	2" Outlet Test Cap			
000202TESTCAP	2"x2" Test Cap			
00CON114NPTFF	Quick Connect 1/4" NPT Female/female Quick Connector			
00H3824NPT114M	Hose 3/8" ID Hose x 24" with 1/4" NPT Male Outlets			
00HOSEASS	Hose Assembly			



CONNECTORS

Code	Bar	pcs/box	Weight kg./p.	Volume m ³ /p.
008305	4mm male/female			
008203	4mm male x 4.7mm female			
008202	4.7mm male x 4mm female			

The welding units are equipped with 4.0mm connectors. Connectors for 4.7mm can be ordered separately.

WELDING UNITS



PRESSURE SENSOR

Thanks to the pressure test unit the welding unit can carry out the inspection of the pressurized distribution network (water and gas connections before and after the meter, fire-prevention networks made of any kind of plastic or metal material).

With the help of the software (00EDP900) the test results are shown on the PC.

The welding unit has 8 memories dedicated to the data of the pressure tests.

Code	Bar	pcs/ box	Weight kg./p.	Volume m ³ /p.
00SENS200	0 - 3 PSI	1	2.800	0.0213
00SENS010	15.0 - 150 PSI	1	2.800	0.0213
00SENS050	15.0 - 750 PSI	1	2.800	0.0213

Equipped with: shipping box, hydraulic pipe, electric cable for welding unit connection, adapter nipple and instruction manual

COMPRESSION FITTINGS



nupigeco 



WIRELESS
CONNECTION

CE

Specialized by:
ECO SpA - Italy -
nupigeco.com - info@nupigeco.com

Manufactured by
NE/RO SpA - Italy

PROVVISORIO



THE MATERIAL:

- BODY IN BLACK pp
- NUT IN LIGHT BLUE acetal COPOLYMER pom
- GASKET IN NBR 70 SHORE
- SPLIT RING IN WHITE POLYACETAL

FIELD OF USE:

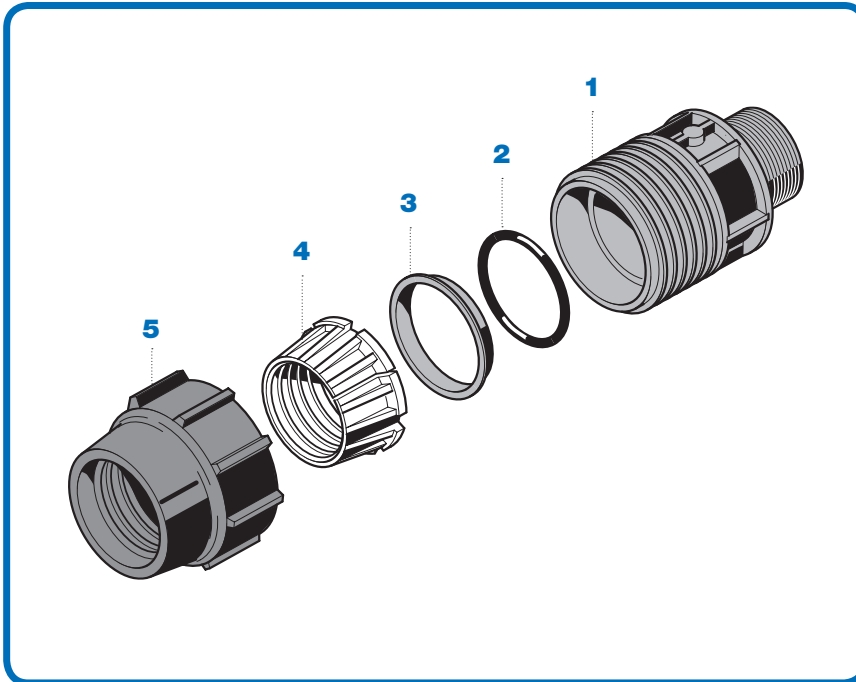
PE100, PE80, PE63, PE40, PE32 PIPES

CERTIFICATED BY INTERNATIONAL INSTITUTES:

ISTITUTO ITALIANO DEI PLASTICI (ITALY) – STANDARD UNI 9561
CERTIFICATES OF POTABILITY IN COMPLIANCE WITH ITALIAN ORDINANCE D.M. 174 (06/04/04)
DVGW (GERMANY) ACCORDING TO STANDARD VP609 DIN 8076-3

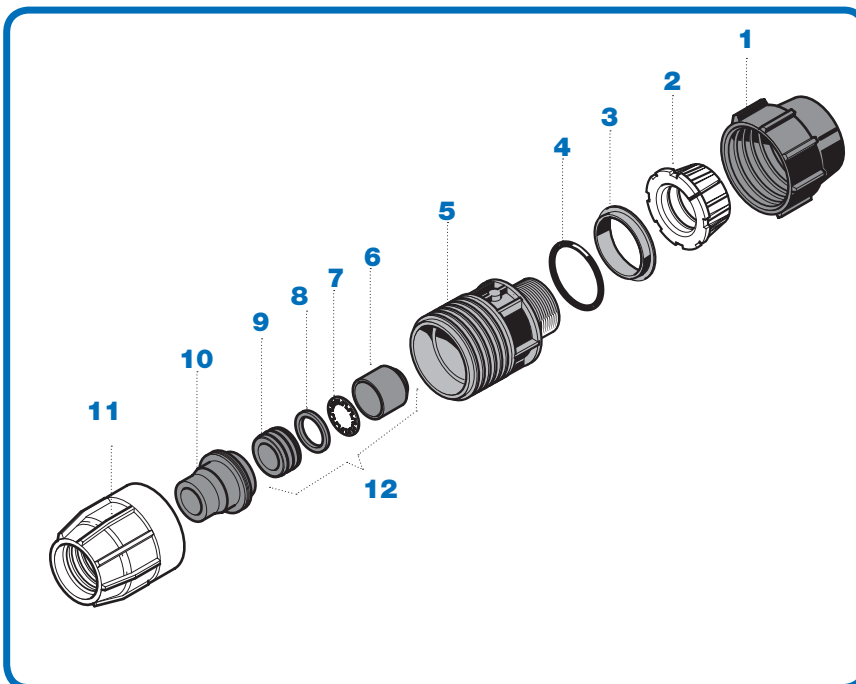
INTERNATIONAL STANDARD:

ACCORDING TO ISO 14236-2000



Compression fitting composed by:

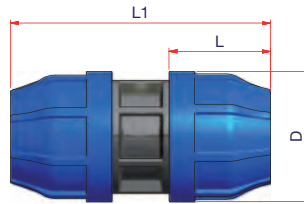
- 1 Body**
- 2 Gasket (o-ring)**
The nitric rubber gasket leans on the pipe surface, guaranteeing a perfect hydraulic seal.
- 3 Thrust ring**
- 4 Split ring**
Its conic shape ensures a perfect mechanical seal to the piping system when the nut is tightened to the fitting body.
- 5 Nut**



Transition system composed by:

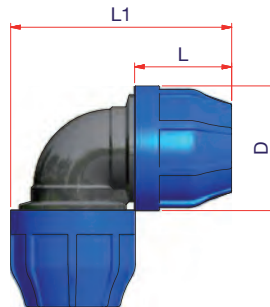
- 1 Nut**
- 2 Split ring**
- 3 Thrust ring**
- 4 Gasket o-ring**
- 5 Body**
- 6 Brings jaw**
- 7 Jaw**
- 8 Spacer**
- 9 Gasket**
- 10 Thrust ring**
- 11 Nut**
- 12 Blocking system**

COMPRESSION FITTINGS



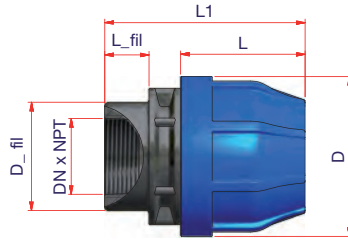
COUPLER

Code	Nominal Size IPS	pcs/box	Q.ty pallet	Weight kg./p.	Volume m ³ /p.	DN (IPS)	D	L	L1
10KIMAN34	3/4"	35	1,680	0.140	0.0004	3/4"	2.08	1.77	4.44
10KIMAN1	1"	-	-	-	-	1"	2.56	2.09	5.63
10KIMAN114	1-1/4"	12	576	0.400	0.0014	1-1/4"	3.18	2.48	6.37
10KIMAN2	2"	-	-	-	-	2	4.41	3.31	9.17



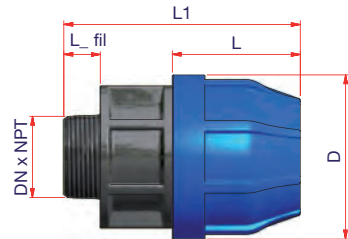
ELBOW 90°

Code	Nominal Size IPS	pcs/box	Q.ty pallet	Weight kg./p.	Volume m ³ /p.	DN (IPS)	D	L	L1
10KIG34	3/4"	30	1,440	0.136	0.0005	3/4"	2.08	1.77	3.93
10KIG1	1"	-	-	-	-	1"	2.56	2.09	4.80
10KIG114	1 1/4"	-	-	-	-	1 1/4"	3.18	2.48	5.66
10KIG2	2"	-	-	-	-	2"	4.41	3.31	8.35



FEMALE STRAIGHT ADAPTOR

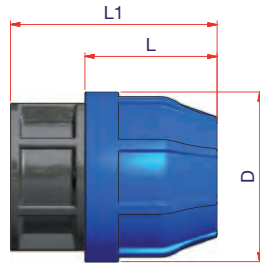
Code	Nominal Size IPS x NPT	pcs/ box	Q.ty pallet	Weight kg./p.	Volume m ³ /p.	DN x NPT	D	L	L1	D_fil	L_fil
10KIRFF3434NPT	3/4" x 3/4"	30	2880	0.073	0.0003	3/4" x 3/4"	2.08	1.77	3.14	1.48	0.62
10KIRFF11NPT	1" x 1"	-	-	-	-	1" x 1"	2.57	2.09	3.60	1.77	0.68
10KIRFF114114NPT	1-1/4" x 1-1/4"	20	960	0.210	0.0008	1-1/4" x 1-1/4"	3.18	2.48	4.01	2.16	0.88
10KIRFF22NPT	2" x 2"	-	-	-	-	2" x 2"	4.41	3.30	6.18	3.08	0.72



MALE STRAIGHT ADAPTOR

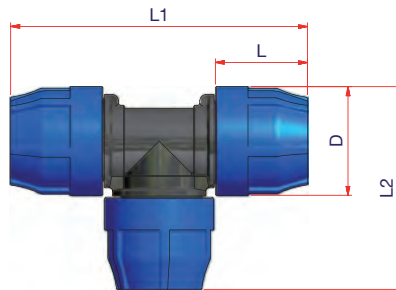
Code	Nominal Size IPS x NPT	pcs/ box	Q.ty pallet	Weight kg./p.	Volume m ³ /p.	DN x NPT	D	L	L1	L_fil
10KIRFM3434NPT	3/4" x 3/4"	30	2,640	0.083	0.0002	3/4" x 3/4"	2.08	1.77	3.18	0.55
10KIRFM11NPT	1" x 1"	-	-	-	-	1" x 1"	2.57	2.09	4.16	0.75
10KIRFM114114NPT	1-1/4" x 1-1/4"	18	864	0.225	0.0009	1-1/4" x 1-1/4"	3.18	2.48	4.01	0.71
10KIRFM22NPT	2" x 2"	-	-	-	-	2" x 2"	4.41	3.30	6.47	1.01

COMPRESSION FITTINGS



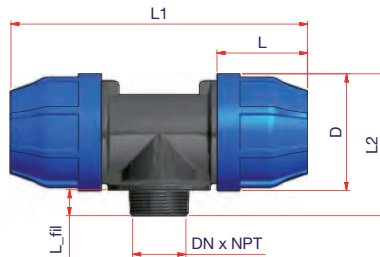
END FITTING

Code	Nominal Size IPS	pcs/box	Q.ty pallet	Weight kg./p.	Volume m ³ /p.	DN (IPS)	D	L	L1
10KITAPP034	3/4"	30	2,880	0.093	0.0003	3/4"	2.08	1.77	2.63
10KITAPP01	1"	-	-	-	-	1"	2.56	2.09	3.42
10KITAPP0114	1 1/4"	12	1,056	0.217	0.0007	1-1/4"	3.18	2.48	3.89
10KITAPP02	2"	-	-	-	-	2"	4.41	3.31	5.47



EQUAL TEE

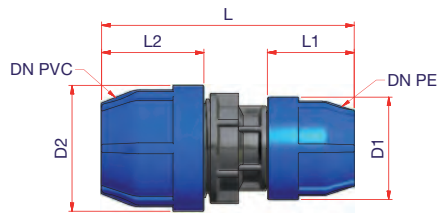
Code	Nominal Size IPS	pcs/box	Q.ty pallet	Weight kg./p.	Volume m ³ /p.	DN (IPS)	D	L	L1	L2
10KIT34	3/4" x 3/4" x 3/4"	-	-	-	-	3/4"	2.08	1.77	5.70	3.90
10KIT1	1" x 1" x 1"	-	-	-	-	1"	2.56	2.09	7.05	4.80
10KIT114	1 1/4" x 1 1/4" x 1 1/4"	-	-	-	-	1-1/4"	3.18	2.48	8.11	5.66
10KIT2	2" x 2" x 2"	-	-	-	-	2"	4.41	3.31	11.73	8.07



MALE TEE THREADED

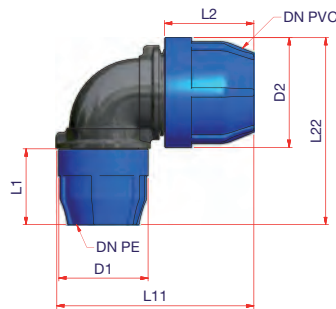
Code	Nominal Size IPS x NPT x IPS	pcs/box	Q.ty pallet	Weight kg./p.	Volume m ³ /p.	DN x NPT	D	L	L1	L2	L_fil
10KITM3434NPT	3/4" x 3/4" x 3/4"	-	-	-	-	3/4" x 3/4"	2.08	1.77	5.70	2.63	0.55
10KITM11NPT	1" x 1" x 1"	-	-	-	-	1" x 1"	2.57	2.09	7.04	3.34	0.75
10KITM114114NPT	1 1/4" x 1 1/4" x 1 1/4"	-	-	-	-	1-1/4" x 1-1/4"	3.18	2.48	8.11	3.89	0.70
10KITM22NPT	2" x 2" x 2"	-	-	-	-	2" x 2"	4.41	3.30	11.73	5.42	1.01

COMPRESSION FITTINGS



**TRANSITION COUPLER
PE-PVC**

Code	Nominal Size IPS	pcs/box	Q.ty pallet	Weight kg./p.	Volume m ³ /p.	DN PE (IPS)	D1	L1	DN PVC (IPS)	D2	L2	L1
10KIMAN3434PVC	3/4" - 3/4"	25	1200	0.200	0.0007	3/4"	2.08	1.77	3/4"	2.55	2.08	5.15



**TRANSITION ELBOW 90°
PE-PVC**

Code	Nominal Size IPS	pcs/box	Q.ty pallet	Weight kg./p.	Volume m ³ /p.	DN PE (IPS)	D1	L1	L11	DN PVC (IPS)	D2	L2	L22
10KIG3434PVC	3/4" x 3/4"	20	960	0.218	0.0008	3/4"	2.08	1.77	4.37	3/4"	2.55	2.08	4.60

