



Flange Catalog

Your choice for Hydraulic Components



Flanges



A Comprehensive Lineup of Industry Leading Premium Port Flanges

Due to our policy of continual product improvement, the specifications in this catalog may change without notice. When designing by spec, please request a certified print.



Threaded Forged Steel Flanges

Premium Quality Steel Flanges resist breakage from tapered threads. Comprehensive stock of all sizes for rapid shipment.

FL4SU-*SN Forged Steel 4-Bolt Flanges, NPT/SAE Thread, Code 61.....4
 FH4SU-*SN Forged Steel 4-Bolt Flanges, NPT/SAE Thread, Code 62.....6
 FLRSU-*SN Reduced Port 4-Bolt Flanges, NPT/SAE Thread, Code 614
 FHRSU-*SN Reduced Port 4-Bolt Flanges, NPT/SAE Thread, Code 62....6
 FLST Stepper Flanges connect dissimilar genders/codes/standards 15



Threaded 90° Steel Elbows

Forged Steel 90° Elbow Flanges promote laminar flow and reduce turbulence with a smooth fluid passage. Offered in Standard type, NPT & SAE thread up to 2" size.

FL4EU Threaded Flanges, 90° Elbow, Code 61.....8
 FH4EU Threaded Flanges, 90° Elbow, Code 628



Socket Weld 90° Steel Elbows

Forged Steel 90° Elbow Flanges promote laminar flow and reduce turbulence with a smooth fluid passage. Offered in Deep Socket Weld for Sch 40 / Sch 80 / Sch 160 pipe.

FWIEL 90° Deep Socket Weld Elbow, Code 61.....9
 FWIEH 90° Deep Socket Weld Elbow, Code 62.....9



Deep Socket Weld Standard & Companion Flanges

The easiest way to construct accurate welded piping systems is with DMIC's Deep Socket Weld flanges.

FWISL Deep Socket Weld, Code 61 10
 FWISH Deep Socket Weld, Code 62 10
 FWICL/H Deep Socket Weld Companion, Code 61/62 11



Butt Weld Standard/Companion

The most elegant piping assemblies are butt-welded. If your welder is an artiste, these are for you.

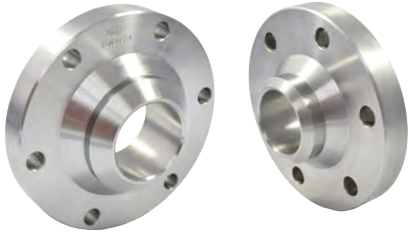
FBWSL Butt Weld Standard, Code 61 12
 FBWSH Butt Weld Standard, Code 62 12
 FBWCL/H Butt Weld Companions, Code 61/62 13





SAE Split Flanges Heavy Duty Forged Steel Split Flanges in SAE Code 61 and Code 62.

FSL	Split Flange Halves, Code 61	14
FSH	Split Flange Halves, Code 62	14
FSL-SK	Complete Split Flange Kits includes Hardware, Code 61	14
FSH-SK	Complete Split Flange Kits includes Hardware, Code 62	14
FS*-ZK	Stainless Steel Flange Kits includes SS Hardware	14



FDM/FDH DMIC Custom Pattern 3000 PSI and 6000 PSI Socket and Butt Welded Flanges available in Carbon Steel and Stainless Steel.

FDM/FDH	Dimensions.....	16
---------	-----------------	----



Factory Approved Hardware

Factory Approved Hardware Kits for DMIC Forged Steel and Stainless Steel Flanges.

BKA/BKB	4-Bolt Flange Hardware Kits (Socket Head)	17
BKC/BKD	Split Flange Hardware Kits (Hex Head)	17



Blank Unported 4-Bolt Flanges, Blank Heads for Split Flanges, & Gauge Spacer

Indispensable for emergency non-standard spare parts,
transducer mounting, and system reconfiguration.

FLB3	Blank Unported 4-Bolt Standard Flanges, Code 61	18
FLB6	Blank Unported 4-Bolt Standard Flanges, Code 62.....	18
FLBH/FHBH	Round Flange Head Plugs for Split Flanges, Code 61/62	19
FLGB/FHGB	Gauge Block	20-21



Gauge Block DMIC gauge block sizes from 3/4" - 4"

FLGB/FHGB	Ordering Codes.....	21
FLGB/FHGB	C.61 / C.62 Dimensions.....	20



Adapter Blocks

Connector / Elbow / Tee Junction Blocks

F3C/F6C	C.61 / C.62 Connector block.....	22/23
F3E/F6E	C.61 / C.62 Elbow block	24/25
F3J/F6J	C.61 / C.62 Tee Junction block.....	26/27



Code 61 Threaded 4-Bolt

For imperial SAE Flange spec; NPT-F & SAE-F ports

Standard & Companion ~ Full & Reduced Port models



DMIC's **FL** series of Forged Steel 4-Bolt flanges are chosen by quality oriented Engineers & Designers for superior strength and elimination of porosity problems. DMIC stocks thousands of Forged Steel flanges in full port and reduced port versions for rapid shipment.

- Sizes from ½" through 4", full port and one-size-reduced port models.
- Extensive stock of "Standard" and "Companion" types in NPT & SAE.
- Available in Stainless Steel; production lead time may apply.
- DMIC "Standard" flanges designed to accept either UNC or metric bolts.

Standard Code 61 Threaded 4-Bolt Flanges (with O-Ring Groove)

Standard Flange Part Number	Size		Working PSI	Dimensions (inches)									O-Ring
	Flange Pad	Port Thread		A	B	C	D	E	F	G	H	Lbs.	
FL4SU-NSN (NPT-F Thread, Standard, C.61)													
FL4SU-0500NSN	½"	½" NPT	5000	0.51	2.24	1.81	1.50	0.69	1.42	0.63	0.35	0.55	2-210
FL4SU-0750NSN	¾"	¾" NPT	5000	0.75	2.56	1.97	1.88	0.88	1.42	0.71	0.43	0.82	2-214
FL4SU-1000NSN	1"	1" NPT	5000	0.98	2.76	2.17	2.06	1.03	1.50	0.71	0.43	0.99	2-219
FL4SU-1250NSN	1¼"	1¼" NPT	4000	1.26	3.11	2.68	2.31	1.19	1.61	0.83	0.45	1.46	2-222
FL4SU-1500NSN	1½"	1½" NPT	3000	1.50	3.66	3.07	2.75	1.41	1.77	0.98	0.53	2.31	2-225
FL4SU-2000NSN	2"	2" NPT	3000	2.01	4.02	3.54	3.06	1.69	1.77	0.98	0.53	2.58	2-228
FL4SU-2500NSN	2½"	2½" NPT	2500	2.48	4.49	4.13	3.50	2.00	1.97	0.98	0.53	3.51	2-232
FL4SU-3000NSN	3"	3" NPT	2000	2.87	5.28	4.88	4.19	2.44	1.97	1.06	0.69	5.03	2-237
FL4SU-3500NSN	3½"	3½" NPT	500	3.50	5.98	5.35	4.75	2.75	1.89	1.06	0.69	5.34	2-241
FL4SU-4000NSN	4"	4" NPT	500	3.90	6.38	5.75	5.13	3.06	1.89	1.06	0.69	6.13	2-245
FL4SU-SSN (SAE-F Thread, Standard, C.61)													
FL4SU-0500SSN	½"	½" SAE	5000	0.51	2.24	1.81	1.50	0.69	1.42	0.63	0.35	0.55	2-210
FL4SU-0750SSN	¾"	¾" SAE	5000	0.75	2.56	1.97	1.88	0.88	1.42	0.71	0.43	0.82	2-214
FL4SU-1000SSN	1"	1" SAE	5000	0.98	2.76	2.17	2.06	1.03	1.50	0.71	0.43	0.99	2-219
FL4SU-1250SSN	1¼"	1¼" SAE	4000	1.26	3.11	2.68	2.31	1.19	1.61	0.83	0.45	1.46	2-222
FL4SU-1500SSN	1½"	1½" SAE	3000	1.50	3.66	3.07	2.75	1.41	1.77	0.98	0.53	2.31	2-225
FL4SU-2000SSN	2"	2" SAE	3000	2.01	4.02	3.54	3.06	1.69	1.77	0.98	0.53	2.58	2-228
FLRSU-NSN (Reduced Port NPT-F Thread, Standard, C.61)													
FLRSU-0500NSN	½"	¾" NPT	5000	0.51	2.24	1.81	1.50	0.69	1.42	0.63	0.35	0.60	2-210
FLRSU-0750NSN	¾"	½" NPT	5000	0.51	2.56	1.97	1.88	0.88	1.42	0.71	0.43	0.88	2-214
FLRSU-1000NSN	1"	¾" NPT	5000	0.75	2.76	2.17	2.06	1.03	1.38	0.83	0.43	1.12	2-219
FLRSU-1250NSN	1¼"	1" NPT	4000	0.98	3.19	2.56	2.31	1.19	1.65	0.98	0.45	1.76	2-222
FLRSU-1500NSN	1½"	1½" NPT	3000	1.26	3.74	3.07	2.75	1.41	1.77	1.06	0.53	2.58	2-225
FLRSU-2000NSN	2"	1½" NPT	3000	1.50	4.02	3.54	3.06	1.69	1.77	0.98	0.53	3.35	2-228
FLRSU-SSN (Reduced Port SAE-F Thread, Standard, C.61)													
FLRSU-0500SSN	½"	¾" SAE	5000	0.51	2.24	1.81	1.50	0.69	1.42	0.63	0.35	0.60	2-210
FLRSU-0750SSN	¾"	½" SAE	5000	0.51	2.56	1.97	1.88	0.88	1.42	0.71	0.43	0.88	2-214
FLRSU-1000SSN	1"	¾" SAE	5000	0.75	2.76	2.17	2.06	1.03	1.38	0.83	0.43	1.12	2-219
FLRSU-1250SSN	1¼"	1" SAE	4000	0.98	3.19	2.56	2.31	1.19	1.65	0.98	0.45	1.76	2-222
FLRSU-1500SSN	1½"	1¼" SAE	3000	1.26	3.74	3.07	2.75	1.41	1.77	1.06	0.53	2.58	2-225
FLRSU-2000SSN	2"	1½" SAE	3000	1.50	4.02	3.54	3.06	1.69	1.77	0.98	0.53	3.35	2-228

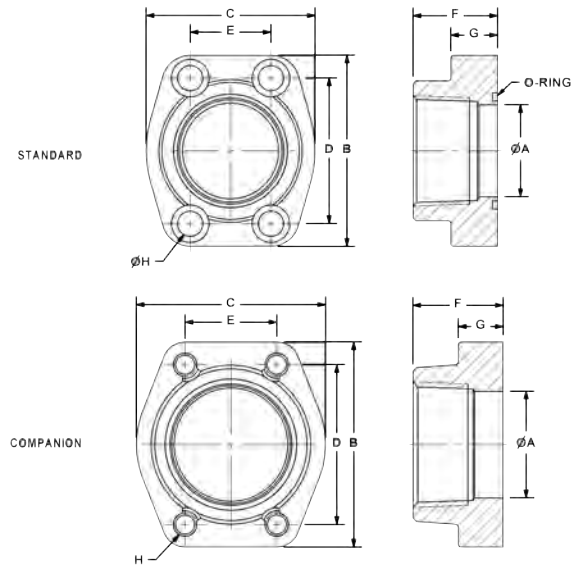
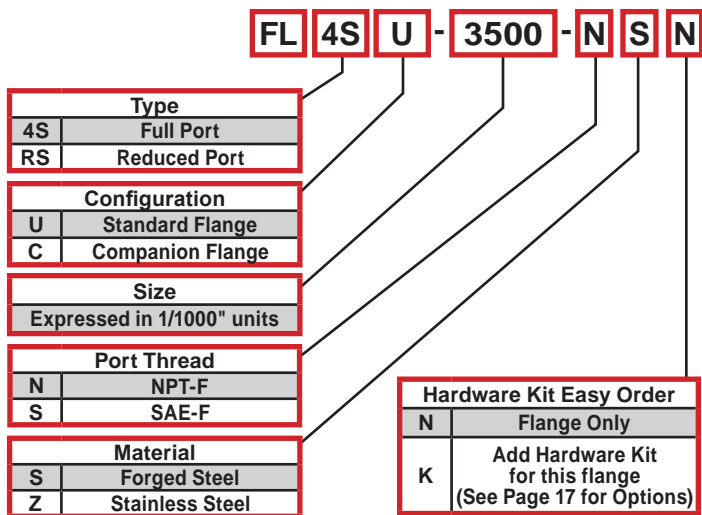
Due to our policy of continual product improvement, the specifications in this catalog may change without notice. When designing by spec, please request a certified print.



www.dmic.com
DMIC Flange Catalog
Copyright ©2019 Delaware Mfg.



Ordering Codes Summary



Due to our policy of continual product improvement, the specifications in this catalog may change without notice. When designing by spec, please request a certified print.

Companion Code 61 Threaded 4-Bolt Flanges (with Tapped Bolt Holes)

Companion Flange Part Number	Size		Working PSI	Dimensions (inches)								
	Flange Pad	Port Thread		A	B	C	D	E	F	G	H (UNC)	Lbs.
FL4SC-NSN (NPT-F Thread, Companion, C.61)												
FL4SC-0500NSN	1/2"	1/2" NPT	5000	0.51	2.13	1.81	1.50	0.69	1.42	0.63	5/16"	0.57
FL4SC-0750NSN	3/4"	3/4" NPT	5000	0.75	2.56	1.97	1.88	0.88	1.42	0.71	3/8"	0.90
FL4SC-1000NSN	1"	1" NPT	5000	0.98	2.76	2.17	2.06	1.03	1.50	0.71	3/8"	1.08
FL4SC-1250NSN	1 1/4"	1 1/4" NPT	4000	1.26	3.11	2.68	2.31	1.19	1.61	0.83	7/16"	1.56
FL4SC-1500NSN	1 1/2"	1 1/2" NPT	3000	1.50	3.66	3.07	2.75	1.41	1.77	0.98	1/2"	2.46
FL4SC-2000NSN	2"	2" NPT	3000	2.01	4.02	3.54	3.06	1.69	1.77	0.98	1/2"	2.73
FL4SC-2500NSN	2 1/2"	2 1/2" NPT	2500	2.48	4.49	4.13	3.50	2.00	1.97	0.98	1/2"	3.65
FL4SC-3000NSN	3"	3" NPT	2000	2.87	5.28	4.88	4.19	2.44	1.97	1.06	5/8"	5.21
FL4SC-3500NSN	3 1/2"	3 1/2" NPT	500	3.50	5.98	5.35	4.75	2.75	1.89	1.06	5/8"	5.52
FL4SC-4000NSN	4"	4" NPT	500	3.90	6.38	5.75	5.13	3.06	1.89	1.06	5/8"	6.31
FL4SC-SSN (SAE-F Thread, Companion, C.61)												
FL4SC-0500SSN	1/2"	1/2" SAE	5000	0.51	2.24	1.81	1.50	0.69	1.42	0.63	5/16"	0.57
FL4SC-0750SSN	3/4"	3/4" SAE	5000	0.75	2.56	1.97	1.88	0.88	1.42	0.71	3/8"	0.90
FL4SC-1000SSN	1"	1" SAE	5000	0.98	2.76	2.17	2.06	1.03	1.50	0.71	3/8"	1.08
FL4SC-1250SSN	1 1/4"	1 1/4" SAE	4000	1.26	3.11	2.68	2.31	1.19	1.61	0.83	7/16"	1.57
FL4SC-1500SSN	1 1/2"	1 1/2" SAE	3000	1.50	3.66	3.07	2.75	1.41	1.77	0.98	1/2"	2.47
FL4SC-2000SSN	2"	2" SAE	3000	2.01	4.02	3.54	3.06	1.69	1.77	0.98	1/2"	2.73
FLRSC-NSN (Reduced Port NPT-F, Companion, C.61)												
FLRSC-0500SSN	1/2"	3/8" NPT	5000	0.51	2.24	1.81	1.50	0.69	1.42	0.63	5/16"	0.62
FLRSC-0750SSN	3/4"	1/2" NPT	5000	0.51	2.56	1.97	1.88	0.88	1.42	0.71	3/8"	0.97
FLRSC-1000SSN	1"	3/4" NPT	5000	0.75	2.76	2.17	2.06	1.03	1.38	0.83	3/8"	1.21
FLRSC-1250SSN	1 1/4"	1" NPT	4000	0.98	3.19	2.56	2.31	1.19	1.65	0.98	7/16"	1.87
FLRSC-1500SSN	1 1/2"	1 1/4" NPT	3000	1.26	3.74	3.07	2.75	1.41	1.77	1.06	1/2"	2.73
FLRSC-2000SSN	2"	1 1/2" NPT	3000	1.50	4.02	3.54	3.06	1.69	1.77	0.98	1/2"	3.51
FLRSC-SSN (Reduced Port SAE-F, Companion, C.61)												
FLRSC-0500SSN	1/2"	3/8" SAE	5000	0.51	2.24	1.81	1.50	0.69	1.42	0.63	5/16"	0.62
FLRSC-0750SSN	3/4"	1/2" SAE	5000	0.51	2.56	1.97	1.88	0.88	1.42	0.71	3/8"	0.97
FLRSC-1000SSN	1"	3/4" SAE	5000	0.75	2.76	2.17	2.06	1.03	1.38	0.83	3/8"	1.21
FLRSC-1250SSN	1 1/4"	1" SAE	4000	0.98	3.19	2.56	2.31	1.19	1.65	0.98	7/16"	1.87
FLRSC-1500SSN	1 1/2"	1 1/4" SAE	3000	1.26	3.74	3.07	2.75	1.41	1.77	1.06	1/2"	2.73
FLRSC-2000SSN	2"	1 1/2" SAE	3000	1.50	4.02	3.54	3.06	1.69	1.77	0.98	1/2"	3.51

Due to our policy of continual product improvement, the specifications in this catalog may change without notice. When designing by spec, please request a certified print.



www.dmic.com
DMIC Flange Catalog
Copyright ©2019 Delaware Mfg.



Code 62 Threaded 4-Bolt

For imperial SAE Flange spec; NPT-F & SAE-F ports
Standard & Companion ~ Full & Reduced Port models



DMIC's **FH** series of Code 62 Forged Steel 4-Bolt flanges are suitable for increasingly more prevalent applications which exceed the Code 61 pressure rating. Engineered with extra heavy construction and generous safety factor for complete peace of mind.

- Sizes from ½" through 2", full port and one-size-reduced port models.
- Extensive stock of "Standard" and "Companion" types.
- Available in Stainless Steel; production lead time may apply.
- Metric companion model is available by special order.
- DMIC "Standard" flanges designed to accept either UNC or metric bolt.

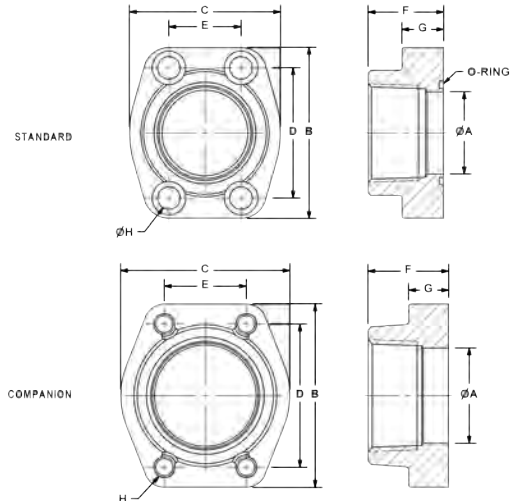
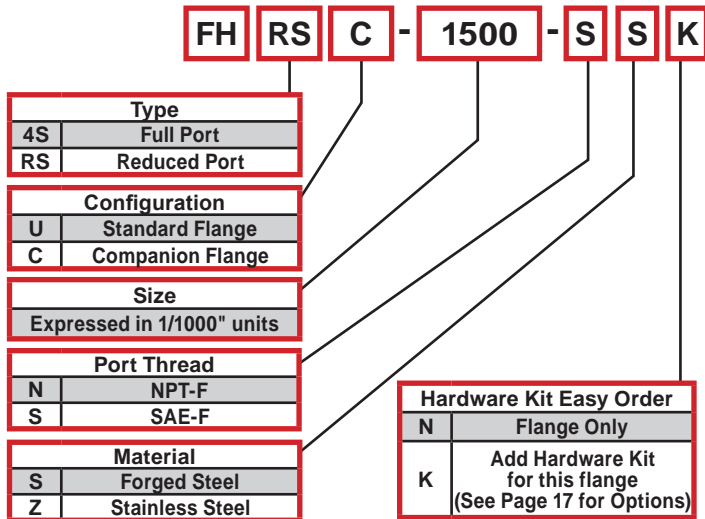
Standard Code 62 Threaded 4-Bolt Flanges (with O-Ring Groove)

Standard Flange Part Number	Size		Working PSI	Dimensions (inches)								O-Ring	
	Flange Pad	Port Thread		A	B	C	D	E	F	G	H		Lbs.
FH4SU-NSN (NPT-F Thread, Standard, C.62)													
FH4SU-0500NSN	½"	½" NPT	6000 PSI	0.51	2.24	1.81	1.59	0.72	1.42	0.63	0.35	0.55	2-210
FH4SU-0750NSN	¾"	¾" NPT		0.75	2.80	2.17	2.00	0.94	1.38	0.83	0.43	1.12	2-214
FH4SU-1000NSN	1"	1" NPT		0.98	3.19	2.56	2.25	1.09	1.65	0.98	0.51	1.79	2-219
FH4SU-1250NSN	1¼"	1¼" NPT		1.26	3.74	3.07	2.63	1.25	1.77	1.06	0.59	2.49	2-222
FH4SU-1500NSN	1½"	1½" NPT		1.50	4.41	3.70	3.13	1.44	1.97	1.18	0.67	3.99	2-225
FH4SU-2000NSN	2"	2" NPT		2.01	5.28	4.49	3.81	1.75	2.56	1.46	0.83	7.30	2-228
FH4SU-2500NSN	2½"	2½" NPT		2.48	7.09	5.98	4.87	2.31	3.15	1.77	1.02	15.40	2-232
FH4SU-3000NSN	3"	3" NPT		2.87	8.19	7.01	6.00	2.81	3.54	2.17	1.30	24.64	2-237
FH4SU-SSN (SAE-F Thread, Standard, C.62)													
FH4SU-0500SSN	½"	½" SAE	6000 PSI	0.51	2.24	1.81	1.59	0.72	1.42	0.63	0.35	0.55	2-210
FH4SU-0750SSN	¾"	¾" SAE		0.75	2.80	2.17	2.00	0.94	1.38	0.83	0.43	1.12	2-214
FH4SU-1000SSN	1"	1" SAE		0.98	3.19	2.56	2.25	1.09	1.65	0.98	0.51	1.79	2-219
FH4SU-1250SSN	1¼"	1¼" SAE		1.26	3.74	3.07	2.63	1.25	1.77	1.06	0.59	2.49	2-222
FH4SU-1500SSN	1½"	1½" SAE		1.50	4.41	3.70	3.13	1.44	1.97	1.18	0.67	3.99	2-225
FH4SU-2000SSN	2"	2" SAE		2.01	5.28	4.49	3.81	1.75	2.56	1.46	0.83	7.30	2-228
FHRSU-NSN (Reduced Port NPT-F, Standard, C.62)													
FHRSU-0500NSN	½"	¾" NPT		6000 PSI	0.51	2.24	1.81	1.59	0.72	1.42	0.63	0.35	0.62
FHRSU-0750NSN	¾"	½" NPT	0.51		2.80	2.17	2.00	0.94	1.38	0.83	0.43	1.23	2-214
FHRSU-1000NSN	1"	¾" NPT	0.75		3.19	2.56	2.25	1.09	1.65	0.98	0.51	1.85	2-219
FHRSU-1250NSN	1¼"	1" NPT	0.98		3.74	3.07	2.63	1.25	1.77	1.06	0.59	2.78	2-222
FHRSU-1500NSN	1½"	1¼" NPT	1.26		4.41	3.70	3.13	1.44	1.97	1.18	0.67	4.30	2-225
FHRSU-2000NSN	2"	1½" NPT	1.50		5.28	4.49	3.81	1.75	2.56	1.46	0.83	8.38	2-228
FHRSU-SSN (Reduced Port SAE-F, Standard, C.62)													
FHRSU-0500SSN	½"	¾" SAE	6000 PSI	0.51	2.24	1.81	1.59	0.72	1.42	0.63	0.35	0.62	2-210
FHRSU-0750SSN	¾"	½" SAE		0.51	2.80	2.17	2.00	0.94	1.38	0.83	0.43	1.23	2-214
FHRSU-1000SSN	1"	¾" SAE		0.75	3.19	2.56	2.25	1.09	1.65	0.98	0.51	1.85	2-219
FHRSU-1250SSN	1¼"	1" SAE		0.98	3.74	3.07	2.63	1.25	1.77	1.06	0.59	2.78	2-222
FHRSU-1500SSN	1½"	1¼" SAE		1.26	4.41	3.70	3.13	1.44	1.97	1.18	0.67	4.30	2-225
FHRSU-2000SSN	2"	1½" SAE		1.50	5.28	4.49	3.81	1.75	2.56	1.46	0.83	8.38	2-228

Due to our policy of continual product improvement, the specifications in this catalog may change without notice. When designing by spec, please request a certified print.



Ordering Codes Summary



Standard Code 62 Threaded 4-Bolt Flanges (with Tapped Bolt Holes)

Standard Flange Part Number	Size		Working PSI	Dimensions (inches)								Lbs.
	Flange Pad	Port Thread		A	B	C	D	E	F	G	H (UNC)	
FH4SC-NSN (NPT-F Thread, Companion, C.62)												
FH4SC-0500NSN	1/2"	1/2" NPT	6000 PSI	0.51	2.24	1.81	1.59	0.72	1.42	0.63	5/16"	0.57
FH4SC-0750NSN	3/4"	3/4" NPT		0.75	2.80	2.17	2.00	0.94	1.38	0.83	3/8"	1.21
FH4SC-1000NSN	1"	1" NPT		0.98	3.19	2.56	2.25	1.09	1.65	0.98	7/16"	1.92
FH4SC-1250NSN	1 1/4"	1 1/4" NPT		1.26	3.74	3.07	2.63	1.25	1.77	1.06	1/2"	2.67
FH4SC-1500NSN	1 1/2"	1 1/2" NPT		1.50	4.41	3.70	3.13	1.44	1.97	1.18	5/8"	4.19
FH4SC-2000NSN	2"	2" NPT		2.01	5.28	4.49	3.81	1.75	2.56	1.46	3/4"	7.56
FH4SC-2500NSN	2 1/2"	2 1/2" NPT		2.48	7.09	5.98	4.87	2.31	3.15	1.77	7/8"	15.95
FH4SC-3000NSN	3"	3" NPT		2.87	8.19	7.01	6.00	2.81	3.54	2.17	1 1/8"	25.96
FH4SC-SSN (SAE-F Thread, Companion, C.62)												
FH4SC-0500SSN	1/2"	1/2" SAE	6000 PSI	0.51	2.24	1.81	1.59	0.72	1.42	0.63	5/16"	0.57
FH4SC-0750SSN	3/4"	3/4" SAE		0.75	2.80	2.17	2.00	0.94	1.38	0.83	3/8"	1.21
FH4SC-1000SSN	1"	1" SAE		0.98	3.19	2.56	2.25	1.09	1.65	0.98	7/16"	1.92
FH4SC-1250SSN	1 1/4"	1 1/4" SAE		1.26	3.74	3.07	2.63	1.25	1.77	1.06	1/2"	2.67
FH4SC-1500SSN	1 1/2"	1 1/2" SAE		1.50	4.41	3.70	3.13	1.44	1.97	1.18	5/8"	4.19
FH4SC-2000SSN	2"	2" SAE		2.01	5.28	4.49	3.81	1.75	2.56	1.46	3/4"	7.56
FHRSC-NSN (Reduced Port NPT-F, Companion, C.62)												
FHRSC-0500NSN	1/2"	3/8" NPT	6000 PSI	0.51	2.24	1.81	1.59	0.72	1.42	0.63	5/16"	0.64
FHRSC-0750NSN	3/4"	1/2" NPT		0.51	2.80	2.17	2.00	0.94	1.38	0.83	3/8"	1.32
FHRSC-1000NSN	1"	3/4" NPT		0.75	3.19	2.56	2.25	1.09	1.65	0.98	7/16"	1.98
FHRSC-1250NSN	1 1/4"	1" NPT		0.98	3.74	3.07	2.63	1.25	1.77	1.06	1/2"	2.95
FHRSC-1500NSN	1 1/2"	1 1/4" NPT		1.26	4.41	3.70	3.13	1.44	1.97	1.18	5/8"	4.48
FHRSC-2000NSN	2"	1 1/2" NPT		1.50	5.28	4.49	3.81	1.75	2.56	1.46	3/4"	8.64
FHRSC-SSN (Reduced Port SAE-F, Companion, C.62)												
FHRSC-0500SSN	1/2"	3/8" SAE	6000 PSI	0.51	2.24	1.81	1.59	0.72	1.42	0.63	5/16"	0.64
FHRSC-0750SSN	3/4"	1/2" SAE		0.51	2.80	2.17	2.00	0.94	1.38	0.83	3/8"	1.32
FHRSC-1000SSN	1"	3/4" SAE		0.75	3.19	2.56	2.25	1.09	1.65	0.98	7/16"	1.98
FHRSC-1250SSN	1 1/4"	1" SAE		0.98	3.74	3.07	2.63	1.25	1.77	1.06	1/2"	2.95
FHRSC-1500SSN	1 1/2"	1 1/4" SAE		1.26	4.41	3.70	3.13	1.44	1.97	1.18	5/8"	4.48
FHRSC-2000SSN	2"	1 1/2" SAE		1.50	5.28	4.49	3.81	1.75	2.56	1.46	3/4"	8.64

Due to our policy of continual product improvement, the specifications in this catalog may change without notice. When designing by spec, please request a certified print.



www.dmic.com
DMIC Flange Catalog
Copyright ©2019 Delaware Mfg.



Threaded 90° Elbows

Premium Forged Steel design
NPT/SAE thread ~ Sizes from 1/2" to 2"



DMIC Forged Steel 90° Elbows are engineered to promote laminar flow through the change of fluid direction. Additional benefits include weight savings and aesthetic improvement. DMIC offers extensive stock of 90° Elbows for rapid shipment.

- Sizes from 1/2" **through 2"**, full port size only.
- "Standard" type with through bolt holes and O-Ring groove.
- Reduced pressure drop and improved laminar flow.
- DMIC "Standard" flanges designed to accept either UNC or metric bolts.

Code 61 Threaded 90° Elbow Flanges (with O-Ring Groove)

90° Elbow Flange Part Number	Size		Working PSI	Dimensions (inches)										O-Ring
	Flange Pad	Port Thread		A	B	C	D	E	F	G	H	J	Lbs.	
FL4EU-NSN (NPT-F Thread, Standard, C.61)														
FL4EU-0500NSN	1/2"	1/2" NPT	5000	0.51	2.13	2.36	1.50	0.69	0.79	0.63	0.35	1.46	0.62	2-210
FL4EU-0750NSN	3/4"	3/4" NPT	5000	0.75	2.56	2.48	1.88	0.88	0.94	0.71	0.43	1.50	0.99	2-214
FL4EU-1000NSN	1"	1" NPT	5000	0.98	2.76	2.76	2.06	1.03	1.10	0.75	0.43	1.69	1.23	2-219
FL4EU-1250NSN	1 1/4"	1 1/4" NPT	4000	1.26	3.11	3.35	2.31	1.19	1.34	0.83	0.45	2.01	1.96	2-222
FL4EU-1500NSN	1 1/2"	1 1/2" NPT	3000	1.50	3.66	3.74	2.75	1.41	1.50	0.98	0.53	2.20	2.60	2-225
FL4EU-2000NSN	2"	2" NPT	3000	2.01	4.33	4.33	3.06	1.69	1.65	0.98	0.53	2.56	4.54	2-228
FL4EU-SSN (SAE-F Thread, Standard, C.61)														
FL4EU-0500SSN	1/2"	1/2" SAE	5000	0.51	2.13	2.36	1.50	0.69	0.79	0.63	0.35	1.46	0.62	2-210
FL4EU-0750SSN	3/4"	3/4" SAE	5000	0.75	2.56	2.48	1.88	0.88	0.94	0.71	0.43	1.50	0.99	2-214
FL4EU-1000SSN	1"	1" SAE	5000	0.98	2.76	2.76	2.06	1.03	1.10	0.75	0.43	1.69	1.23	2-219
FL4EU-1250SSN	1 1/4"	1 1/4" SAE	4000	1.26	3.11	3.35	2.31	1.19	1.34	0.83	0.45	2.01	1.96	2-222
FL4EU-1500SSN	1 1/2"	1 1/2" SAE	3000	1.50	3.66	3.74	2.75	1.41	1.50	0.98	0.53	2.20	2.60	2-225
FL4EU-2000SSN	2"	2" SAE	3000	2.01	4.33	4.33	3.06	1.69	1.65	0.98	0.53	2.56	4.54	2-228

Code 62 Threaded 90° Elbow Flanges (with O-Ring Groove)

90° Elbow Flange Part Number	Size		Working PSI	Dimensions (inches)										O-Ring
	Flange Pad	Port Thread		A	B	C	D	E	F	G	H	J	Lbs.	
FH4EU-NSN (NPT-F Thread, Standard, C.62)														
FH4EU-0500NSN	1/2"	1/2" NPT	6000 PSI	0.51	2.13	2.36	1.59	0.72	0.79	0.63	0.35	1.46	0.62	2-210
FH4EU-0750NSN	3/4"	3/4" NPT		0.75	2.76	2.76	2.00	0.94	1.10	0.75	0.43	1.69	1.52	2-214
FH4EU-1000NSN	1"	1" NPT		0.98	3.11	3.35	2.25	1.09	1.34	0.83	0.51	2.01	2.45	2-219
FH4EU-1250NSN	1 1/4"	1 1/4" NPT		1.26	3.66	3.74	2.63	1.25	1.50	0.98	0.59	2.20	3.20	2-222
FH4EU-1500NSN	1 1/2"	1 1/2" NPT		1.50	4.33	4.33	3.13	1.44	1.65	0.98	0.67	2.56	6.06	2-225
FH4EU-2000NSN	2"	2" NPT		2.01	5.28	5.20	3.81	1.75	1.77	1.38	0.83	2.95	8.71	2-228
FH4EU-SSN (SAE-F Thread, Standard, C.62)														
FH4EU-0500SSN	1/2"	1/2" SAE	6000 PSI	0.51	2.13	2.36	1.59	0.72	0.79	0.63	0.35	1.46	0.62	2-210
FH4EU-0750SSN	3/4"	3/4" SAE		0.75	2.76	2.76	2.00	0.94	1.10	0.75	0.43	1.69	1.52	2-214
FH4EU-1000SSN	1"	1" SAE		0.98	3.11	3.35	2.25	1.09	1.34	0.83	0.51	2.01	2.45	2-219
FH4EU-1250SSN	1 1/4"	1 1/4" SAE		1.26	3.66	3.74	2.63	1.25	1.50	0.98	0.59	2.20	3.20	2-222
FH4EU-1500SSN	1 1/2"	1 1/2" SAE		1.50	4.33	4.33	3.13	1.44	1.65	0.98	0.67	2.56	6.06	2-225
FH4EU-2000SSN	2"	2" SAE		2.01	5.28	5.20	3.81	1.75	1.77	1.38	0.83	2.95	8.71	2-228

Due to our policy of continual product improvement, the specifications in this catalog may change without notice. When designing by spec, please request a certified print.



www.dmic.com
DMIC Flange Catalog
Copyright ©2019 Delaware Mfg.

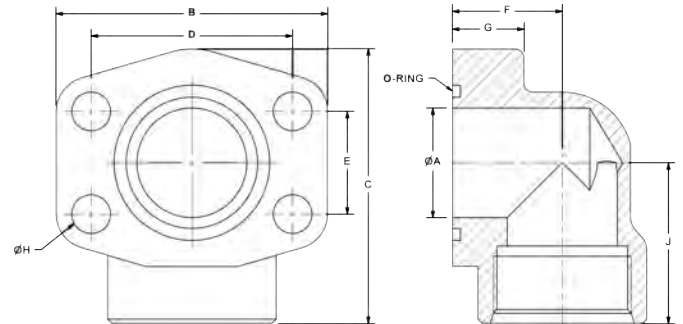


Ordering Codes Summary

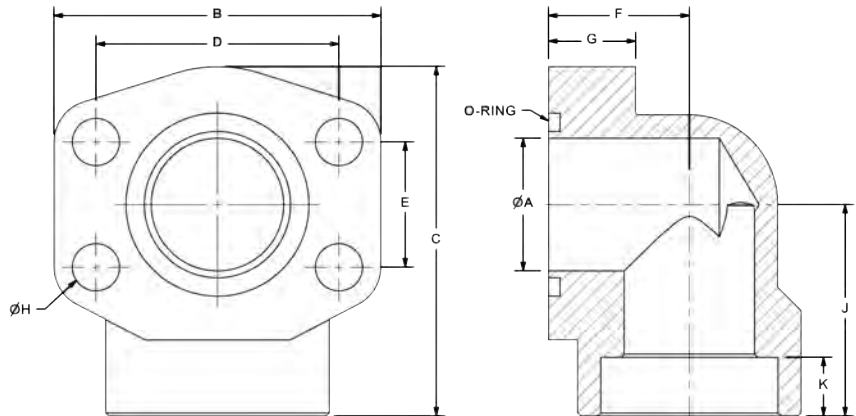
Series	
FL	C.61
FH	C.62
Type	
4E	90° Forged Elbow
Configuration	
U	Standard Flange
C	Companion Flange
Size	
Expressed in 1/1000" units	
Port Thread	
N	NPT-F
S	SAE-F
Material	
S	Forged Steel
Z	Stainless Steel

FH 4E U - 0750 - N S N

Hardware Kit Easy Order	
N	Flange Only
K	Add Hardware Kit for this flange (See Page 17 for Options)



Socket Weld 90° Elbows



Standard Flange Part Number	Size		Working PSI	Dimensions (inches)											O-Ring
	Flange Pad	Pipe OD		A	B	C	D	E	F	G	H	J	K	Lbs.	
FWIEL (Socket Weld, Standard, C.61)															
FWIEL-0500SN	½"	0.84	5000	0.51	2.13	2.36	1.50	0.69	0.79	0.63	0.35	1.46	0.39	0.62	2-210
FWIEL-0750SN	¾"	1.05	5000	0.75	2.56	2.48	1.88	0.88	0.94	0.71	0.43	1.50	0.39	0.99	2-214
FWIEL-1000SN	1"	1.31	5000	0.98	2.76	2.76	2.06	1.03	1.10	0.75	0.43	1.69	0.47	1.23	2-219
FWIEL-1250SN	1¼"	1.66	4000	1.26	3.11	3.35	2.31	1.19	1.34	0.83	0.45	2.01	0.55	1.96	2-222
FWIEL-1500SN	1½"	1.91	3000	1.50	3.66	3.74	2.75	1.41	1.50	0.98	0.53	2.20	0.63	2.60	2-225
FWIEL-2000SN	2"	2.38	3000	2.01	4.33	4.33	3.06	1.69	1.65	0.98	0.53	2.56	0.71	4.54	2-228
FWIEH (Socket Weld, Standard, C.62)															
FWIEH-0500SN	½"	0.84	6000 PSI	0.51	2.13	2.36	1.59	0.72	0.79	0.63	0.35	1.46	0.39	0.62	2-210
FWIEH-0750SN	¾"	1.05		0.75	0.39	2.76	2.00	0.94	1.10	0.75	0.43	1.69	0.47	1.52	2-214
FWIEH-1000SN	1"	1.31		0.98	3.11	3.35	2.25	1.09	1.34	0.83	0.51	2.01	0.55	2.45	2-219
FWIEH-1250SN	1¼"	1.66		1.26	3.66	3.74	2.63	1.25	1.50	0.98	0.59	2.20	0.63	3.20	2-222
FWIEH-1500SN	1½"	1.91		1.50	4.33	4.33	3.13	1.44	1.65	0.98	0.67	2.56	0.71	6.06	2-225
FWIEH-2000SN	2"	2.38		2.01	5.28	5.20	3.81	1.75	1.77	1.38	0.83	2.95	0.98	8.49	2-228

Due to our policy of continual product improvement, the specifications in this catalog may change without notice. When designing by spec, please request a certified print.



www.dmic.com
DMIC Flange Catalog
Copyright ©2019 Delaware Mfg.

ISO 9001 Certified



Socket Weld 4-Bolt

Deep socket pipe guide reduces skilled welding labor

Standard & Companion ~ Pipe & Tube models



DMIC's **FWI** Deep Socket Weld flanges contain a deep pipe guide that ensures square and true welded connections. Extensive stock of all sizes for rapid shipment.

- Sizes from ½" through 4".
- Extensive stock of "Standard" and "Companion" types.
- Available in Stainless Steel (production lead time may apply).
- DMIC "Standard" flanges designed to accept either UNC or metric bolts.

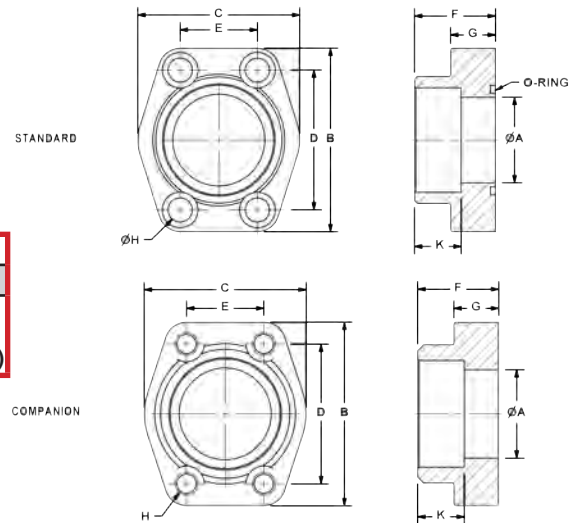
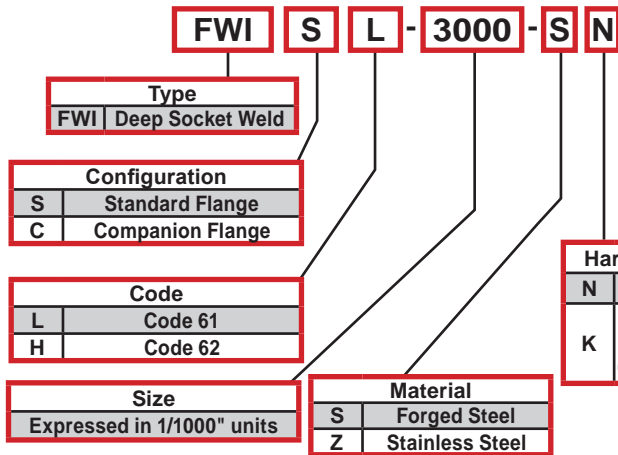
Standard Socket Weld Flanges (with O-Ring Groove)

Standard Flange Part Number	Size		Working PSI	Dimensions (inches)										O-Ring
	Flange	Pipe OD		A	B	C	D	E	F	G	H	K	Lbs.	
FWISL (Socket Weld, Standard, C.61)														
FWISL-0500SN	½"	0.84	5000	0.51	2.24	1.81	1.50	0.69	1.42	0.63	0.35	0.75	0.55	2-210
FWISL-0750SN	¾"	1.05	5000	0.75	2.56	1.97	1.88	0.88	1.42	0.71	0.43	0.75	0.82	2-214
FWISL-1000SN	1"	1.31	5000	0.98	2.76	2.17	2.06	1.03	1.50	0.71	0.43	0.75	0.99	2-219
FWISL-1250SN	1¼"	1.66	4000	1.26	3.11	2.68	2.31	1.19	1.61	0.83	0.45	0.87	1.46	2-222
FWISL-1500SN	1½"	1.91	3000	1.50	3.66	3.07	2.75	1.41	1.77	0.98	0.53	0.94	2.27	2-225
FWISL-2000SN	2"	2.38	3000	2.01	4.02	3.54	3.06	1.69	1.77	0.98	0.53	1.02	2.58	2-228
FWISL-2500SN	2½"	2.88	2500	2.48	4.49	4.13	3.50	2.00	1.97	0.98	0.53	1.18	3.37	2-232
FWISL-3000SN	3"	3.50	2000	2.87	5.28	4.88	4.19	2.44	1.97	1.06	0.69	1.34	4.61	2-237
FWISL-3500SN	3½"	4.00	500	3.50	5.98	5.35	4.75	2.75	1.89	1.06	0.69	1.34	5.18	2-241
FWISL-4000SN	4"	4.50	500	3.90	6.38	5.75	5.13	3.06	1.89	1.06	0.69	1.34	5.95	2-245
FWISH (Socket Weld, Standard, C.62)														
FWISH-0500SN	½"	0.84	6000 PSI	0.51	2.24	1.81	1.59	0.72	1.42	0.63	0.35	0.75	0.55	2-210
FWISH-0750SN	¾"	1.05		0.75	2.80	2.17	2.00	0.94	1.38	0.83	0.43	0.87	1.12	2-214
FWISH-1000SN	1"	1.31		0.98	3.19	2.56	2.25	1.09	1.65	0.98	0.51	0.87	1.76	2-219
FWISH-1250SN	1¼"	1.66		1.26	3.74	3.07	2.63	1.25	1.77	1.06	0.59	0.98	2.49	2-222
FWISH-1500SN	1½"	1.91		1.50	4.41	3.70	3.13	1.43	1.97	1.18	0.67	1.10	4.10	2-225
FWISH-2000SN	2"	2.38		2.01	5.28	4.49	3.81	1.75	2.56	1.46	0.83	0.94	7.28	2-228
FWISH-2500SN	2½"	3.02		2.48	7.09	5.98	4.87	2.31	3.15	1.77	1.02	1.18	15.40	2-232
FWISH-3000SN	3"	3.56		2.87	8.19	7.01	6.00	2.81	3.54	2.17	1.30	1.18	24.64	2-237

Due to our policy of continual product improvement, the specifications in this catalog may change without notice. When designing by spec, please request a certified print.



Ordering Codes Summary



Companion Socket Weld Flanges (with Tapped Bolt Holes)

Companion Flange Part Number	Size		Working PSI	Dimensions (inches)									
	Flange	Pipe OD		A	B	C	D	E	F	G	H (UNC)	K	Lbs.
FWICL (Socket Weld, Companion, C.61)													
FWICL-0500SN	1/2"	0.84	5000	0.51	2.24	1.81	1.50	0.69	1.42	0.63	5/16"	0.75	0.55
FWICL-0750SN	3/4"	1.05	5000	0.75	2.56	1.97	1.88	0.88	1.42	0.71	3/8"	0.75	0.86
FWICL-1000SN	1"	1.31	5000	0.98	2.76	2.17	2.06	1.03	1.50	0.71	3/8"	0.75	1.01
FWICL-1250SN	1 1/4"	1.66	4000	1.26	3.11	2.68	2.31	1.19	1.61	0.83	7/16"	0.87	1.57
FWICL-1500SN	1 1/2"	1.91	3000	1.50	3.66	3.07	2.75	1.41	1.77	0.98	1/2"	0.94	2.45
FWICL-2000SN	2"	2.38	3000	2.01	4.02	3.54	3.06	1.69	1.77	0.98	1/2"	1.02	2.62
FWICL-2500SN	2 1/2"	2.88	2500	2.48	4.49	4.13	3.50	2.00	1.97	0.98	1/2"	1.18	3.09
FWICL-3000SN	3"	3.50	2000	2.87	5.28	4.88	4.19	2.44	1.97	1.06	5/8"	1.34	4.74
FWICL-3500SN	3 1/2"	4.00	500	3.50	5.98	5.35	4.75	2.75	1.89	1.06	5/8"	1.34	5.29
FWICL-4000SN	4"	4.50	500	3.90	6.38	5.75	5.13	3.06	1.89	1.06	5/8"	1.34	6.28
FWICH (Socket Weld, Companion, C.62)													
FWICH-0500SN	1/2"	0.84	6000 PSI	0.51	2.24	1.81	1.59	0.72	1.42	0.63	5/16"	0.75	0.57
FWICH-0750SN	3/4"	1.05		0.75	2.80	2.17	2.00	0.94	1.38	0.83	3/8"	0.87	1.10
FWICH-1000SN	1"	1.31		0.98	3.19	2.56	2.25	1.09	1.65	0.98	7/16"	0.87	1.68
FWICH-1250SN	1 1/4"	1.66		1.26	3.74	3.07	2.63	1.25	1.77	1.06	1/2"	0.98	2.65
FWICH-1500SN	1 1/2"	1.91		1.50	4.41	3.70	3.13	1.44	1.97	1.18	5/8"	1.10	4.28
FWICH-2000SN	2"	2.38		2.01	5.28	4.49	3.81	1.75	2.56	1.46	3/4"	0.94	7.54
FWICH-2500SN	2 1/2"	3.02		2.48	7.09	5.98	4.87	2.31	3.15	1.77	7/8"	1.18	15.95
FWICH-3000SN	3"	3.56		2.87	8.19	7.01	6.00	2.81	3.54	2.17	1 1/8"	1.18	25.96

Installation Tips for Socket Weld Flanges - Pipe & Tube

- PREPARE PIPE BEFORE WELDING**
For best results, remove all burrs and cutting residue before welding. Debris can compromise the quality of the weld and contaminate the system.
- TACK WELD FLANGE INTO POSITION**
Determine the correct orientation of flange ports before commencing. Align flange to specifications and

- tack weld into place. Remove accumulated welding scale.
- PROCEED TO WELD FLANGE TO PIPE**
Minimize weld splatter. Remove all weld scale before joining weld pass and between multiple passes. Ensure that all tapped holes and SHCS eye holes are clear of scale before use.



Butt Weld 4-Bolt

Chamfered end; Skilled welding labor required
Standard & Companion ~ Pipe & Tube models



DMIC's **FBW** Butt Weld flanges can produce exquisite welded piping assemblies in the hands of master welders. However, the possibility of leakage and failure is increased at pressure relative to our **FWI** Socket Weld series.

- Sizes from ½" through 4".
- Extensive stock of "Standard" and "Companion" types.
- DMIC "Standard" flanges designed to accept either UNC or metric bolts.
- Optional Viton & EPR hardware kits (see pg. 17).

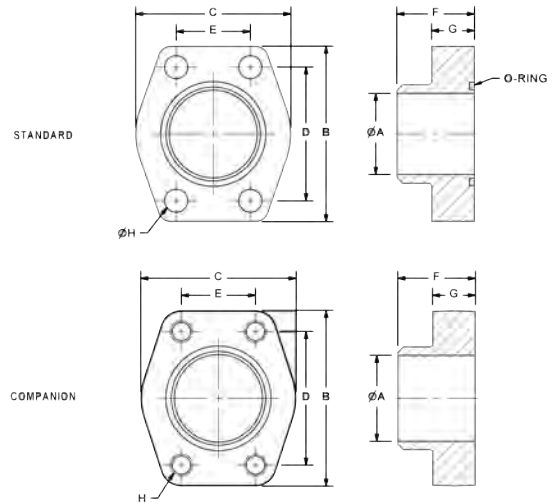
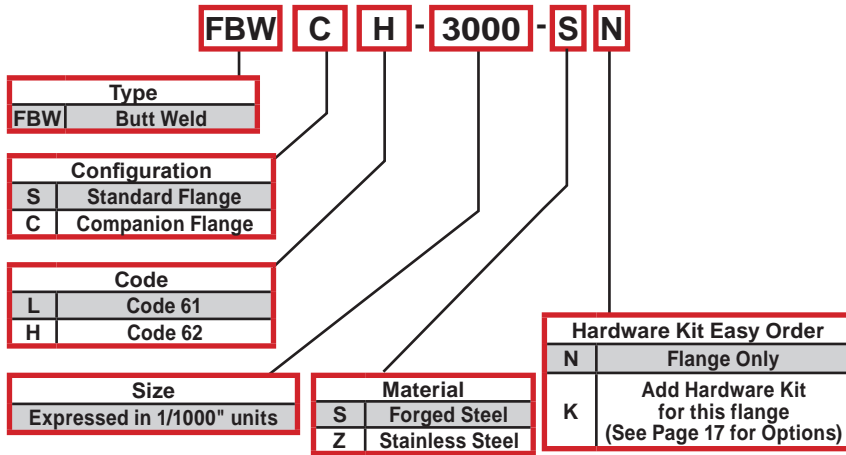
Standard Butt Weld Flanges (with O-Ring Groove)

Standard Flange Part Number	Size		Working PSI	Dimensions (inches)									O-Ring
	Flange	Pipe OD		A	B	C	D	E	F	G	H	Lbs.	
FBWSL (Butt Weld, Standard, C.61)													
FBWSL-0500SN	½"	0.84	5000	0.51	2.24	1.81	1.50	0.69	1.42	0.63	0.35	0.53	2-210
FBWSL-0750SN	¾"	1.05	5000	0.75	2.56	1.97	1.88	0.88	1.42	0.71	0.43	0.77	2-214
FBWSL-1000SN	1"	1.31	5000	0.98	2.76	2.17	2.06	1.03	1.50	0.71	0.43	0.90	2-219
FBWSL-1250SN	1¼"	1.66	4000	1.26	3.11	2.68	2.31	1.19	1.61	0.83	0.45	1.41	2-222
FBWSL-1500SN	1½"	1.91	3000	1.50	3.66	3.07	2.75	1.41	1.73	0.98	0.53	2.16	2-225
FBWSL-2000SN	2"	2.38	3000	2.01	4.02	3.54	3.06	1.69	1.77	0.98	0.53	2.51	2-228
FBWSL-2500SN	2½"	2.88	2500	2.48	4.49	4.13	3.50	2.00	1.97	0.98	0.53	3.42	2-232
FBWSL-3000SN	3"	3.50	2000	2.87	5.28	4.88	4.19	2.44	1.97	1.06	0.69	5.14	2-237
FBWSL-3500SN	3½"	4.00	500	3.50	5.98	5.35	4.75	2.75	1.89	1.06	0.69	5.29	2-241
FBWSL-4000SN	4"	4.50	500	3.90	6.38	5.75	5.13	3.06	1.89	1.06	0.69	6.28	2-245
FBWSH (Butt Weld, Standard, C.62)													
FBWSH-0500SN	½"	0.84	6000 PSI	0.51	2.24	1.81	1.59	0.72	1.42	0.63	0.35	0.53	2-210
FBWSH-0750SN	¾"	1.05		0.75	2.80	2.17	2.00	0.94	1.38	0.83	0.43	1.06	2-214
FBWSH-1000SN	1"	1.31		0.98	3.11	2.68	2.25	1.09	1.61	0.83	0.51	1.41	2-219
FBWSH-1250SN	1¼"	1.66		1.26	3.66	3.07	2.63	1.25	1.73	0.98	0.59	2.20	2-222
FBWSH-1500SN	1½"	1.91		1.50	4.41	3.70	3.13	1.44	2.17	1.18	0.67	3.70	2-225
FBWSH-2000SN	2"	2.38		2.01	5.28	4.49	3.81	1.75	2.56	1.46	0.83	6.31	2-228

Due to our policy of continual product improvement, the specifications in this catalog may change without notice. When designing by spec, please request a certified print.



Ordering Codes Summary



Companion Butt Weld Flanges (with Tapped Bolt Holes)

Companion Flange Part Number	Size		Working PSI	Dimensions (inches)								
	Flange	Pipe OD		A	B	C	D	E	F	G	H (UNC)	Lbs.
FBWCL (Butt Weld, Companion, C.61)												
FBWCL-0500SN	1/2"	0.84	5000	0.51	2.24	1.81	1.50	0.69	1.42	0.63	5/16"	0.55
FBWCL-0750SN	3/4"	1.05	5000	0.75	2.56	1.97	1.88	0.88	1.42	0.71	3/8"	0.86
FBWCL-1000SN	1"	1.31	5000	0.98	2.76	2.17	2.06	1.03	1.50	0.71	3/8"	0.99
FBWCL-1250SN	1 1/4"	1.66	4000	1.26	3.11	2.68	2.31	1.19	1.61	0.83	7/16"	1.52
FBWCL-1500SN	1 1/2"	1.91	3000	1.50	3.66	3.07	2.75	1.41	1.73	0.98	1/2"	2.31
FBWCL-2000SN	2"	2.38	3000	2.01	4.02	3.54	3.06	1.69	1.77	0.98	1/2"	2.69
FBWCL-2500SN	2 1/2"	2.88	2500	2.48	4.49	4.13	3.50	2.00	1.97	0.98	1/2"	3.59
FBWCL-3000SN	3"	3.50	2000	2.87	5.28	4.88	4.19	2.44	1.97	1.06	5/8"	5.34
FBWCL-3500SN	3 1/2"	4.00	500	3.50	5.98	5.35	4.75	2.75	1.89	1.06	5/8"	5.49
FBWCL-4000SN	4"	4.50	500	3.90	6.38	5.75	5.13	3.06	1.89	1.06	5/8"	6.48
FBWCH (Butt Weld, Companion, C.62)												
FBWCH-0500SN	1/2"	0.84	6000 PSI	0.51	2.24	1.81	1.59	0.72	1.42	0.63	5/16"	0.55
FBWCH-0750SN	3/4"	1.05		0.75	2.80	2.17	2.00	0.94	1.38	0.83	3/8"	1.15
FBWCH-1000SN	1"	1.31		0.98	3.11	2.68	2.25	1.09	1.61	0.83	7/16"	1.54
FBWCH-1250SN	1 1/4"	1.66		1.26	3.66	3.07	2.63	1.25	1.73	0.98	1/2"	2.38
FBWCH-1500SN	1 1/2"	1.91		1.50	4.41	3.70	3.13	1.44	2.17	1.18	5/8"	3.88
FBWCH-2000SN	2"	2.38		2.01	5.28	4.49	3.81	1.75	2.56	1.46	3/4"	6.57

Due to our policy of continual product improvement, the specifications in this catalog may change without notice. When designing by spec, please request a certified print.



Split Flanges & Kits

For Code 61 & Code 62 (6,000 PSI)

Forged Steel Construction ~ Zinc Dichromate plated

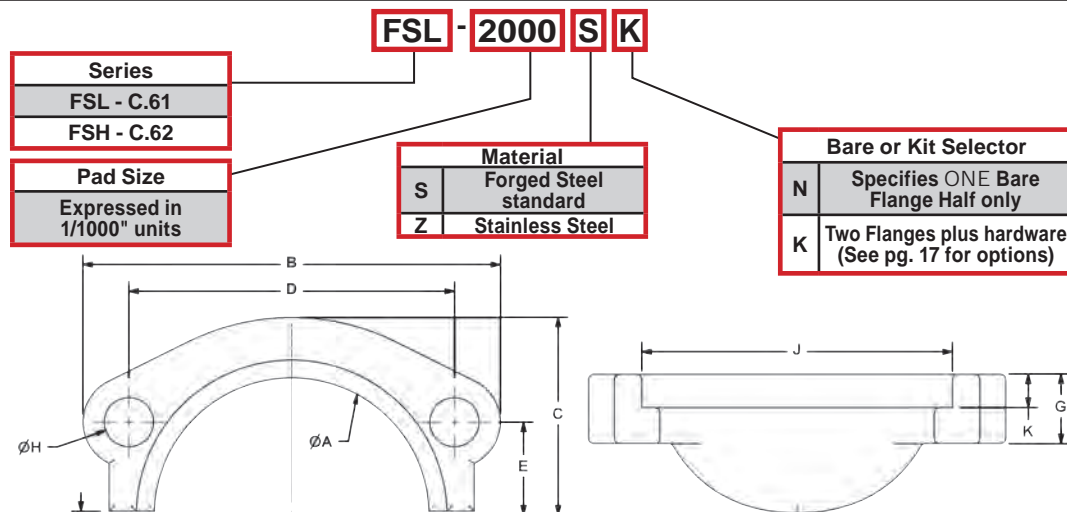


DMIC Forged Steel Split Flanges are the quality-oriented choice when safety and design integrity override price. Due to our high production volume, DMIC's FS Split Flange Kits can net out within pennies of "econo" Split Flanges, with no quality compromises.

- Extensive stock in all SAE J518 sizes up to 5" in Code 61, 3" in Code 62.
- Bare "SN" flanges sold as halves, for complete kit (2 halves plus hardware kit) simply change "SN" suffix to "SK".

Split Flange Part Number	Flange Size	Working PSI	Dimensions (Inches)										Lbs.
			A	B	C	D	E	F	G	H	J	K	
FSL (Split Flange Halves for C.61)													
FSL-0500SN	1/2"	5000	0.96	2.13	0.90	1.50	0.34	0.75	0.51	0.34	1.22	0.24	0.26
FSL-0750SN	3/4"	5000	1.26	2.56	1.02	1.88	0.44	0.87	0.55	0.42	1.53	0.24	0.35
FSL-1000SN	1"	5000	1.51	2.76	1.15	2.06	0.51	0.94	0.63	0.42	1.78	0.29	0.49
FSL-1250SN	1 1/4"	4000	1.72	3.11	1.43	2.31	0.59	0.87	0.55	0.47	2.03	0.29	0.66
FSL-1500SN	1 1/2"	3000	2.00	3.70	1.62	2.75	0.70	0.98	0.63	0.53	2.41	0.29	0.95
FSL-2000SN	2"	3000	2.47	4.02	1.90	3.06	0.84	1.02	0.63	0.53	2.84	0.36	1.23
FSL-2500SN	2 1/2"	2500	2.95	4.49	2.13	3.50	1.00	1.50	0.75	0.53	3.34	0.36	1.63
FSL-3000SN	3"	2000	3.58	5.31	2.57	4.19	1.22	1.61	0.87	0.66	4.03	0.36	2.87
FSL-3500SN	3 1/2"	500	4.03	5.98	2.74	4.75	1.37	1.10	0.87	0.67	4.53	0.42	2.80
FSL-4000SN	4"	500	4.53	6.38	2.99	5.13	1.53	1.38	0.98	0.67	5.03	0.42	3.64
FSH (Split Flange Halves for C. 62)													
FSH-0500SN	1/2"	6000 PSI	0.97	2.20	0.93	1.59	0.36	0.87	0.63	0.34	1.28	0.29	0.35
FSH-0750SN	3/4"		1.28	2.80	1.18	2.00	0.47	1.10	0.75	0.43	1.66	0.33	0.75
FSH-1000SN	1"		1.53	3.19	1.37	2.25	0.55	1.30	0.94	0.51	1.91	0.36	1.12
FSH-1250SN	1 1/4"		1.75	3.74	1.52	2.63	0.63	1.50	1.06	0.59	2.16	0.39	1.76
FSH-1500SN	1 1/2"		2.03	4.45	1.87	3.13	0.72	1.69	1.18	0.67	2.53	0.48	3.17
FSH-2000SN	2"		2.66	5.24	2.24	3.81	0.88	2.05	1.46	0.83	3.16	0.48	4.63
FSH-2500SN	2 1/2"		3.52	7.09	2.99	4.87	1.16	N/A	1.77	1.02	4.27	0.79	10.12
FSH-3000SN	3"		4.51	8.19	3.50	6.00	1.41	N/A	2.17	1.30	5.22	0.98	14.74

Ordering Codes Summary

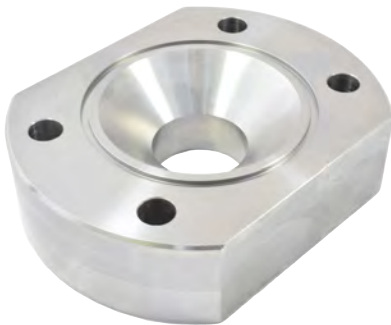


Installation Tips for DMIC Split Flange Kits

1. CHECK AND CLEAN MATING SURFACE
Verify that the O-Ring Groove is free of contamination and physical damage. Damaged surfaces or the presence of debris may result in leaks.
2. LUBRICATE & INSTALL O-RING; VERIFY HEAD TO FLANGE CONTACT
Lubricate the O-Ring lightly, and seat into clean groove of Flange Head fitting. Position and push clamp halves inward around flange head tightly.
3. TIGHTEN FOUR BOLTS KITTY CORNER
Tighten the bolts evenly in a reversing "Z" pattern to ensure even distribution of forces about the flange.

Stepper Flanges

Flanges with one side "standard, the other "companion"
Adapts dissimilar flange genders/codes/standards



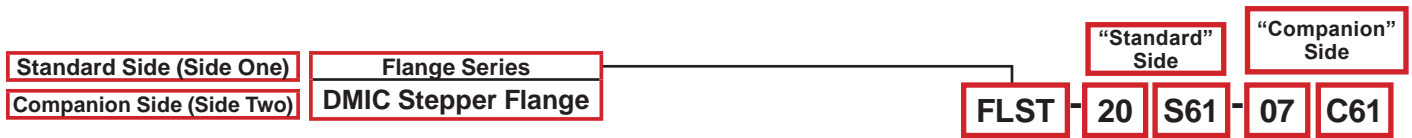
DMIC's **FLST** flanges are indispensable for stepping one type of flanged connection to another. DMIC's Engineering Dept. is able to furnish any step-size flange desired, if it is possible to construct.

- Sizes from 1/2" **through 5"**, from any size to any size that's possible to make; also allows possibility of Code 62/Code 61 interconnection.
- One-side "metric" bolts, and one-side DIN available (if possible to make).
- Stock of frequently ordered units in UNC Code 61 & 62 for rapid shipment.
- Available in Stainless Steel; production lead time may apply.

How to Specify & Order your DMIC Step-Size Flange Requirement

Almost every DMIC Stepper Flange order solves a new, different problem. Moreover, there is no simple way to catalog the huge array of flanges which are available under DMIC's Stepper Flange program. Therefore, DMIC will manufacture your Stepper Flange requirements more or less to order from our large CAD library of SAE 4-Bolt, Metric Pump, DIN, and CETOP Flange designs. **Order codes are unified with DMIC Valves.**

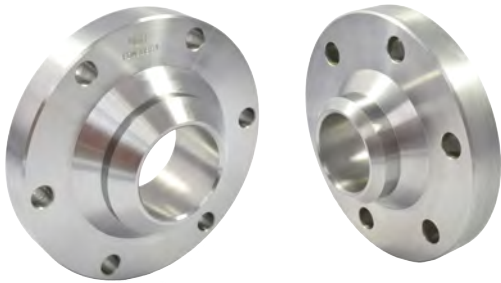
Note that while DMIC can construct ANY stepper flange request, certain types are not feasible as one-piece flanges and will incur consummately higher costs, especially for single-unit quantities.



Due to our policy of continual product improvement, the specifications in this catalog may change without notice. When designing by spec, please request a certified print.

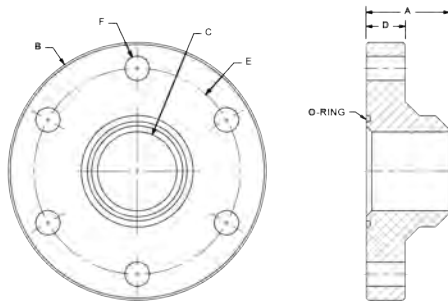


Custom Flanges for BVFF Valves

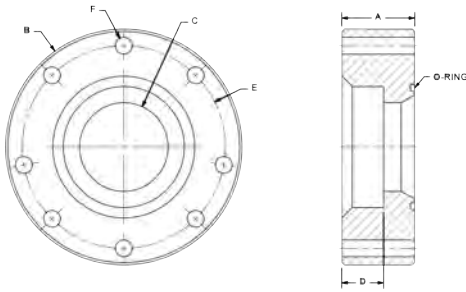


DMIC Custom 3000 and 6000 PSI Flanges designed to mount to BVFF and CVDM valve series for large bore high pressure applications. Available in Carbon Steel and Stainless Steel

- Sizes from 2½" through 6".
- DMIC Selected hardware kits to mount to specified valves.
- Butt Weld and Socket Weld Flanges.



Butt Weld Design

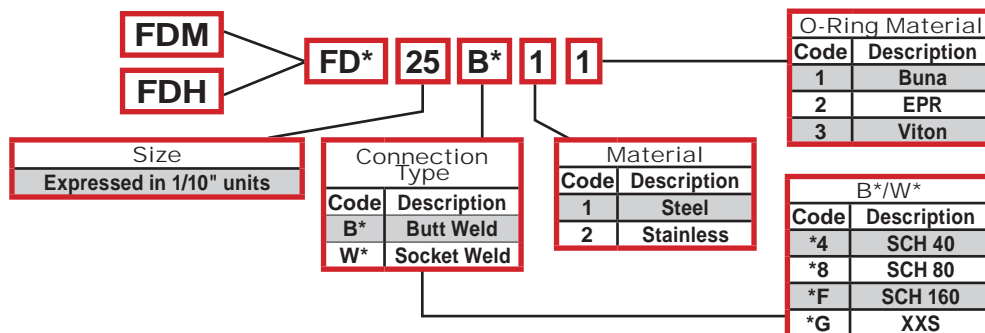


Socket Weld Design

Butt Weld Flange Base Number	Port Size	PSI Rating	Dimensions (inches)							O-Ring
			A	B	C	D	E	F	G	
BVFF Fixed Flange, Round Body, DM Flange, 3000 PSI Rated										
FDM-25B*	2½"	3000 PSI	2.25	5.69	Per Pipe Schedule	1.00	4.875	0.41	8	2-232
FDM-30B*	3"		2.25	6.94		1.00	6.000	0.53	6	2-237
FDM-40B*	4"		2.75	8.44		1.25	7.125	0.66	8	2-244
FDM-50B*	5"		3.38	10.94		1.50	9.375	0.78	12	2-356
FDM-60B*	6"		4.00	12.47		2.00	10.625	0.91	12	2-363
BVFF Fixed Flange, Round Body, DH Flange, 6000 PSI Rated										
FDH-25B*	2½"	6000 PSI	2.25	6.94	Per Pipe Schedule	1.06	5.531	0.66	6	2-232
FDH-30B*	3"		2.25	7.44		1.00	6.188	0.66	8	2-237
FDH-40B*	4"		3.00	8.69		1.25	7.375	0.78	10	2-244
FDH-50B*	5"		3.75	10.94		1.75	9.375	0.91	12	2-356
FDH-60B*	6"		4.50	12.69		2.50	10.625	0.91	12	2-363

Socket Weld Flange Base Number	Port Size	PSI Rating	Dimensions (inches)							O-Ring
			A	B	C	D	E	F	G	
BVFF Fixed Flange, Round Body, DM Flange, 3000 PSI Rated										
FDM-25W*	2½"	3000 PSI	1.75	5.69	Per Pipe Schedule	1.00	4.875	0.41	8	2-232
FDM-30W*	3"		1.75	6.94		1.00	6.000	0.53	6	2-237
FDM-40W*	4"		2.00	8.44		1.06	7.125	0.66	8	2-244
FDM-50W*	5"		2.50	10.94		1.25	9.375	0.78	12	2-356
FDM-60W*	6"		3.00	12.47		1.25	10.625	0.91	12	2-363
BVFF Fixed Flange, Round Body, DH Flange, 6000 PSI Rated										
FDH-25W*	2½"	6000 PSI	1.75	6.94	Per Pipe Schedule	1.00	5.531	0.66	6	2-232
FDH-30W*	3"		2.00	7.44		1.00	6.188	0.66	8	2-237
FDH-40W*	4"		2.25	8.69		1.06	7.375	0.78	10	2-244
FDH-50W*	5"		3.25	10.94		1.25	9.375	0.91	12	2-356
FDH-60W*	6"		3.50	12.69		1.50	10.625	0.91	12	2-363

Ordering Codes Summary



Factory Hardware Kits

Approved for use in Code 61 & Code 62

Applications to full SAE J518 rated PSI



Fasteners used to mount DMIC flanges in hydraulic applications must be of acceptable grade and only of highest quality. DMIC Factory Hardware Kits are proven, for total safety and peace of mind.

- Styles for 4-Bolt Flanges (Socket Head) and Split Flanges (Hex Head).
- Bolt lengths optimized to flange model thickness for extra safety.
- Buyer may override construction codes to suit special requirements.

BKA Socket Head HW kits for SAE-Bolt Code 61 Flanges					
Hardware Kit Part Number	Rated PSI	Fits Size	O-Ring	UNC Bolts	Metric Bolts
BKA-0500	5000	1/2"	2-210	5/16 x 1 1/4"	M8 x 30
BKA-0750	5000	3/4"	2-214	3/8 x 1 1/4"	M10 x 35
BKA-1000	5000	1"	2-219	3/8 x 1 1/2"	M10 x 35
BKA-1250	4000	1 1/4"	2-222	7/16 x 1 1/2"	M10 x 40
BKA-1500	3000	1 1/2"	2-225	1/2 x 1 3/4"	M12 x 45
BKA-2000	3000	2"	2-228	1/2 x 1 3/4"	M12 x 45
BKA-2500	2500	2 1/2"	2-232	1/2 x 1 3/4"	M12 x 45
BKA-3000	2000	3"	2-237	5/8 x 2"	M16 x 50
BKA-3500	500	3 1/2"	2-241	5/8 x 2"	M16 x 50
BKA-4000	500	4"	2-245	5/8 x 2"	M16 x 50

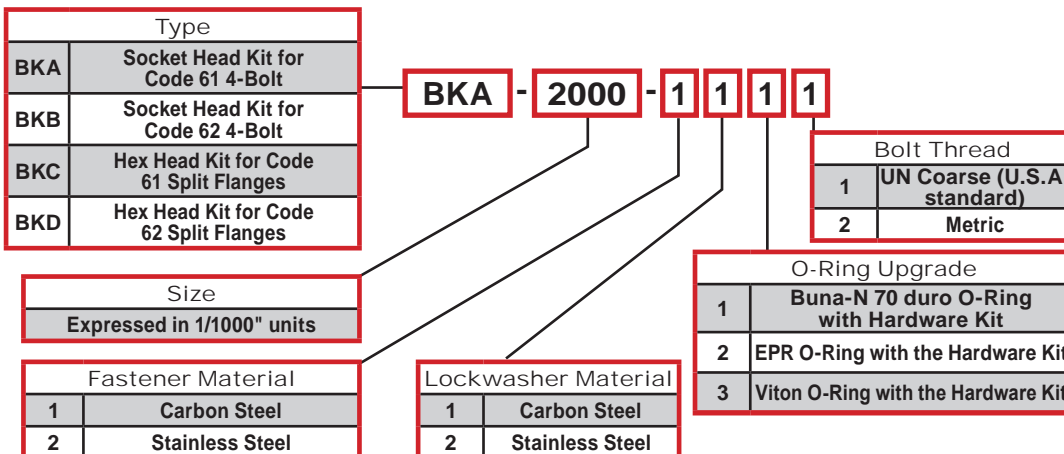
BKC Hex Head HW kits for Split Flange Pairs, Code 61					
Hardware Kit Part Number	Rated PSI	Fits Size	O-Ring	UNC Bolts	Metric Bolts
BKC-0500	5000	1/2"	2-210	5/16 x 1"	M8 x 30
BKC-0750	5000	3/4"	2-214	3/8 x 1 1/4"	M10 x 35
BKC-1000	5000	1"	2-219	3/8 x 1 1/2"	M10 x 35
BKC-1250	4000	1 1/4"	2-222	7/16 x 1 1/2"	M10 x 40
BKC-1500	3000	1 1/2"	2-225	1/2 x 1 3/4"	M12 x 45
BKC-2000	3000	2"	2-228	1/2 x 1 3/4"	M12 x 45
BKC-2500	2500	2 1/2"	2-232	1/2 x 1 3/4"	M12 x 45
BKC-3000	2000	3"	2-237	5/8 x 2"	M16 x 50
BKC-3500	500	3 1/2"	2-241	5/8 x 2"	M16 x 50
BKC-4000	500	4"	2-245	5/8 x 2"	M16 x 50
BKC-5000	500	5"	2-253	5/8 x 2"	M16 x 50

BKB Socket Head kits for SAE 4-Bolt Code 62 Flanges					
Hardware Kit Part Number	Rated PSI	Fits Size	O-Ring	UNC Bolts	Metric Bolts
BKB-0500	6000 PSI	1/2"	2-210	5/16 x 1 1/4"	M8 x 30
BKB-0750		3/4"	2-214	3/8 x 1 1/2"	M10 x 35
BKB-1000		1"	2-219	7/16 x 1 3/4"	M12 x 40
BKB-1250		1 1/4"	2-222	1/2 x 1 3/4"	M12 x 45
BKB-1500		1 1/2"	2-225	5/8 x 2 1/4"	M16 x 50
BKB-2000		2"	2-228	3/4 x 2 3/4"	M20 x 70

BKD Hex Head HW Kits for Split Flange Pairs, Code 62					
Hardware Kit Part Number	Rated PSI	Fits Size	O-Ring	UNC Bolts	Metric Bolts
BKD-0500	6000 PSI	1/2"	2-210	5/16 x 1"	M8 x 30
BKD-0750		3/4"	2-214	3/8 x 1 1/4"	M10 x 35
BKD-1000		1"	2-219	7/16 x 1 3/4"	M12 x 40
BKD-1250		1 1/4"	2-222	1/2 x 1 3/4"	M12 x 45
BKD-1500		1 1/2"	2-225	5/8 x 2 1/4"	M16 x 50
BKD-2000		2"	2-228	3/4 x 2 3/4"	M20 x 70

Ordering Codes for Special Purpose Hardware Kits

Important O-Ring Note



We now ship all flanges without O-Rings due to differing customer requirements.

Premium Buna O-Ring - All C.61 kits come with 70 duro O-Ring. All C.62 kits come with 90 duro O-Ring Standard.

The Buyer's choice of O-Ring is included with DMIC Hardware Kits.



Blank Flanges and Heads

Forged Steel & Stainless Steel construction
 Sizes from 1/2" through 4" in Code 61, to 2" in Code 62



DMIC's FLB 4-Bolt Blank Flange series are handy to have around. Common uses of unported DMIC flanges include:

- Installation of pressure gauges or transducers.
- Can be machined for rapid non-standard replacement parts availability.
- Used as cover plates for spare pressurized ports.
- Reconfigure & operate systems during repair and diagnosis.
- **FLBH & FHBH** Blank Flange Heads are used with a split flange kit to achieve the same effect as an **FLB3** or **FLB6** 4-Bolt Blank.

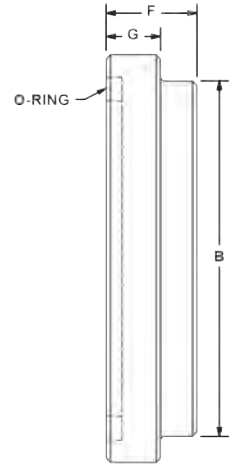
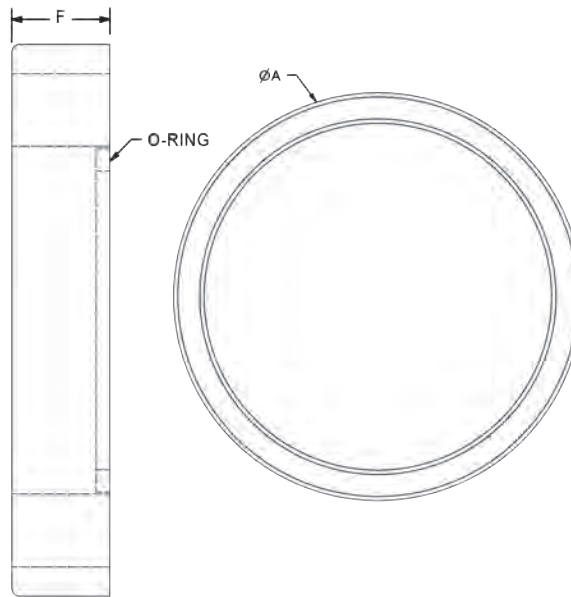
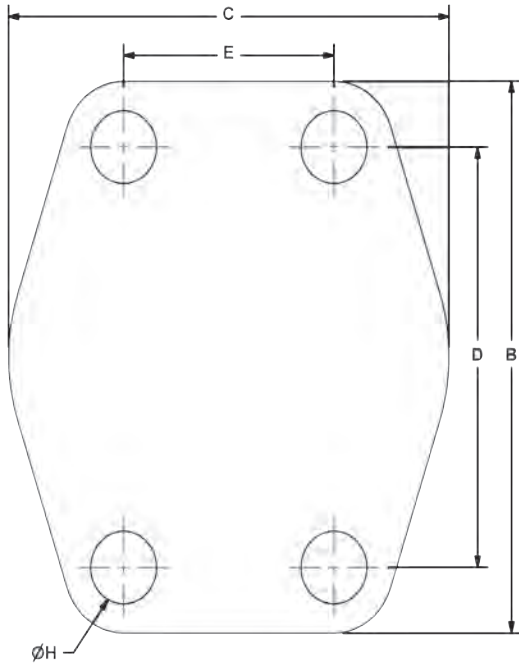
Blank Flange Part Number	Flange Size	Working PSI	Dimensions (inches)							O-Ring
			B	C	D	E	F	H	Lbs.	
FLB3 (Blank 4-Bolt Flange, Standard, C.61)										
FLB3-0500SN	1/2"	5000	2.20	1.81	1.50	0.69	0.63	0.35	0.53	2-210
FLB3-0750SN	3/4"	5000	2.56	1.97	1.88	0.88	0.63	0.43	0.66	2-214
FLB3-1000SN	1"	5000	2.76	2.36	2.06	1.03	0.75	0.43	0.93	2-219
FLB3-1250SN	1 1/4"	4000	3.11	2.68	2.31	1.19	0.71	0.45	1.21	2-222
FLB3-1500SN	1 1/2"	3000	3.66	3.07	2.75	1.41	0.79	0.53	1.81	2-225
FLB3-2000SN	2"	3000	4.02	3.54	3.06	1.69	0.79	0.53	2.38	2-228
FLB3-2500SN	2 1/2"	2500	4.49	4.13	3.50	2.00	0.79	0.53	3.09	2-232
FLB3-3000SN	3"	2000	5.28	4.88	4.19	2.44	0.94	0.69	5.25	2-237
FLB3-3500SN	3 1/2"	500	5.98	5.35	4.75	2.75	0.87	0.69	6.42	2-241
FLB3-4000SN	4"	500	6.38	5.75	5.13	3.06	0.98	0.69	8.77	2-245
FLB6 (Blank 4-Bolt Flange, Standard, C.62)										
FLB6-0500SN	1/2"	6000 PSI	2.20	1.89	1.59	0.72	0.63	0.35	0.53	2-210
FLB6-0750SN	3/4"		2.80	2.36	2.00	0.94	0.75	0.43	0.93	2-214
FLB6-1000SN	1"		3.19	2.76	2.25	1.09	0.94	0.51	1.70	2-219
FLB6-1250SN	1 1/4"		3.74	3.07	2.63	1.25	1.06	0.59	2.56	2-222
FLB6-1500SN	1 1/2"		4.41	3.70	3.13	1.44	1.18	0.67	3.97	2-225
FLB6-2000SN	2"		5.28	4.49	3.81	1.75	1.18	0.83	5.67	2-228

Blank Flange Part Number	Flange Size	Working PSI	Dimensions (inches)				O-Ring
			A	B	F	G	
FLBH (Split Head Blank, Standard, C.61)							
FLBH-0500SN	1/2"	5000	1.19	0.94	0.50	0.26	2-210
FLBH-0750SN	3/4"	5000	1.50	1.24	0.50	0.26	2-214
FLBH-1000SN	1"	5000	1.75	1.50	0.50	0.31	2-219
FLBH-1250SN	1 1/4"	4000	2.00	1.69	0.56	0.31	2-222
FLBH-1500SN	1 1/2"	3000	2.37	1.97	0.63	0.31	2-225
FLBH-2000SN	2"	3000	2.81	2.44	0.63	0.37	2-228
FLBH-2500SN	2 1/2"	2500	3.31	2.92	0.69	0.37	2-232
FLBH-3000SN	3"	2000	4.00	3.54	0.75	0.37	2-237
FLBH-3500SN	3 1/2"	500	4.50	4.02	0.88	0.42	2-241
FLBH-4000SN	4"	500	5.00	4.49	0.88	0.42	2-245
FHBH (Split Head Blank, Standard, C.62)							
FHBH-0500SN	1/2"	6000 PSI	1.25	0.94	0.50	0.29	2-210
FHBH-0750SN	3/4"		1.63	1.26	0.69	0.34	2-214
FHBH-1000SN	1"		1.87	1.50	0.81	0.37	2-219
FHBH-1250SN	1 1/4"		2.13	1.73	1.00	0.40	2-222
FHBH-1500SN	1 1/2"		2.50	2.01	1.19	0.49	2-225
FHBH-2000SN	2"		3.13	2.64	1.50	0.49	2-228



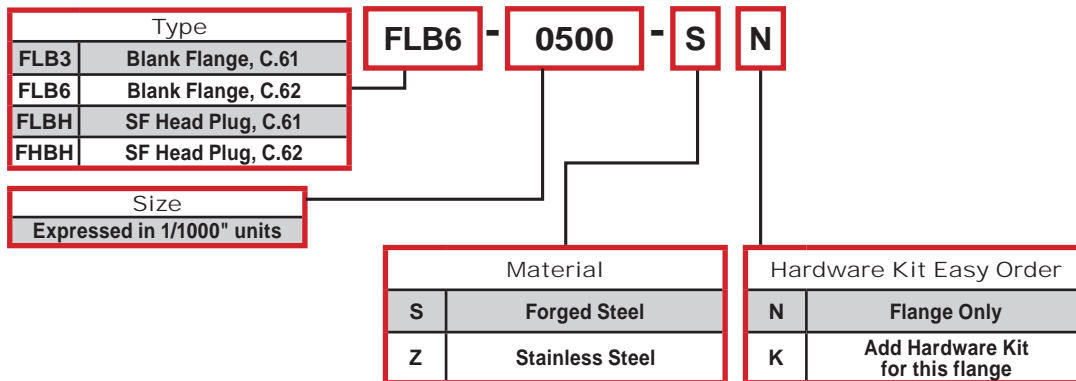
FLB3/FHB6

FLBH/FHBH



Note: The **FLBH/FHBH** Blank Flange Head requires a Split Flange Kit for mounting.

Ordering Codes Summary



Due to our policy of continual product improvement, the specifications in this catalog may change without notice. When designing by spec, please request a certified print.



Gauge Block

Premium Gauge Block
~ Sizes from 3/4" to 4"



DMIC Gauge Block

- Add a Gauge Spacer - the easy way!
- Direct Mounted "Sandwich" style FLGB/FHGB. Simply slides into your existing SAE 4-bolt connection.
- Versatile test point for transducers, gauges, or to use as a drain point.
- Requires longer bolts to mount in place.

Code 61 Sandwich Style Gauge Block (with O-Ring Groove)

Part Number	Working PSI	Dimensions (inches)							O-Ring
		A	B	C	D	E	G	H	
FLGB - Top Gauge Port - C.61									
FLGB-07**STSN	5000	0.75	1.75	3.13	0.88	1.88	1.28	0.41	2-210
FLGB-10**STSN	5000	1.00	2.00	3.19	1.03	2.06	1.38	0.41	2-214
FLGB-12**STSN	4000	1.25	2.50	3.50	1.19	2.31	1.56	0.47	2-219
FLGB-15**STSN	3000	1.50	3.00	3.69	1.41	2.75	1.84	0.53	2-222
FLGB-20**STSN	3000	2.00	3.50	4.00	1.69	3.06	2.00	0.53	2-225
FLGB-25**STSN	2500	2.50	4.00	4.50	2.00	3.50	2.25	0.53	2-228
FLGB-30**STSN	2000	3.00	5.00	5.31	2.44	4.19	2.66	0.67	2-232
FLGB-35**STSN	500	3.50	5.00	6.00	2.75	4.75	3.00	0.67	2-237
FLGB-40**STSN	500	4.00	6.00	6.38	3.06	5.13	3.19	0.67	2-245
FLGB - Side Gauge Port - C.61									
FLGB-07**SLSN	5000	0.75	1.75	2.63	0.88	1.88	1.31	0.41	2-210
FLGB-10**SLSN	5000	1.00	2.00	2.81	1.03	2.06	1.41	0.41	2-214
FLGB-12**SLSN	4000	1.25	2.50	3.13	1.19	2.31	1.56	0.47	2-219
FLGB-15**SLSN	3000	1.50	3.00	3.69	1.41	2.75	1.84	0.53	2-222
FLGB-20**SLSN	3000	2.00	3.50	4.00	1.69	3.06	2.00	0.53	2-225
FLGB-25**SLSN	2500	2.50	4.00	4.50	2.00	3.50	2.25	0.53	2-228
FLGB-30**SLSN	2000	3.00	5.00	5.31	2.44	4.19	2.66	0.67	2-232
FLGB-35**SLSN	500	3.50	5.00	6.00	2.75	4.75	3.00	0.67	2-237
FLGB-40**SLSN	500	4.00	6.00	6.38	3.06	5.13	3.19	0.67	2-245

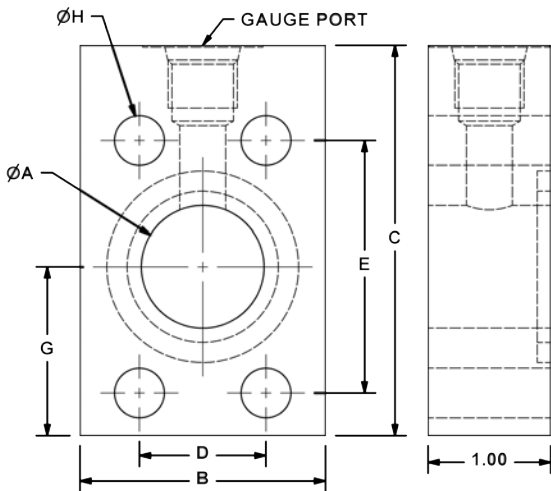
Code 62 Sandwich Style Gauge Block (with O-Ring Groove)

Part Number	Working PSI	Dimensions (inches)							O-Ring
		A	B	C	D	E	G	H	
FHGB - Top Gauge Port - C.62									
FHGB-07**STSN	6000 PSI	0.75	2.00	3.31	0.93	2.00	1.41	0.41	2-210
FHGB-10**STSN		1.00	2.50	3.56	1.09	2.25	1.59	0.51	2-214
FHGB-12**STSN		1.25	3.00	4.00	1.25	2.62	1.88	0.53	2-219
FHGB-15**STSN		1.50	3.50	4.44	1.43	3.12	2.22	0.66	2-222
FHGB-20**STSN		2.00	4.00	5.25	1.75	3.81	2.63	0.78	2-225
FHGB - Side Gauge Port - C.62									
FHGB-07**SLSN	6000 PSI	0.75	2.00	2.81	0.93	2.00	1.41	0.41	2-210
FHGB-10**SLSN		1.00	2.50	3.19	1.09	2.25	1.60	0.51	2-214
FHGB-12**SLSN		1.25	3.00	3.75	1.25	2.62	1.88	0.53	2-219
FHGB-15**SLSN		1.50	3.50	4.44	1.43	3.12	2.22	0.66	2-222
FHGB-20**SLSN		2.00	4.00	5.25	1.75	3.81	2.63	0.78	2-225

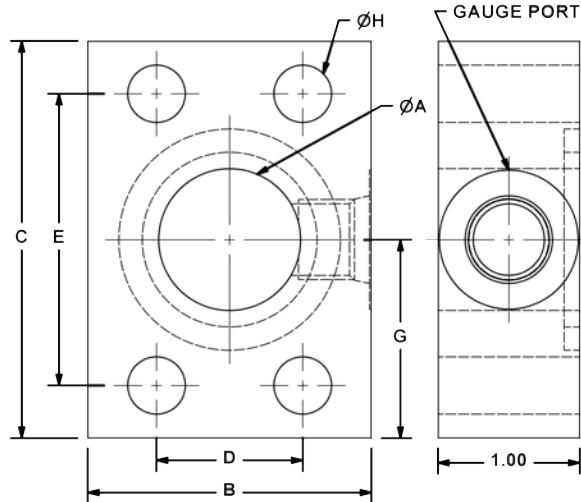


Gauge Block

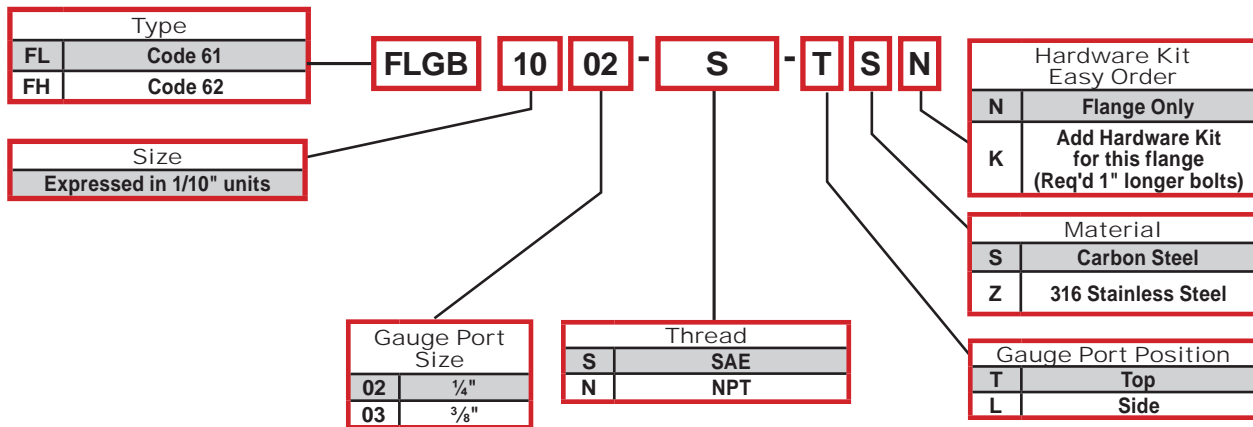
GAUGE PORT TOP



GAUGE PORT SIDE



Ordering Codes Summary

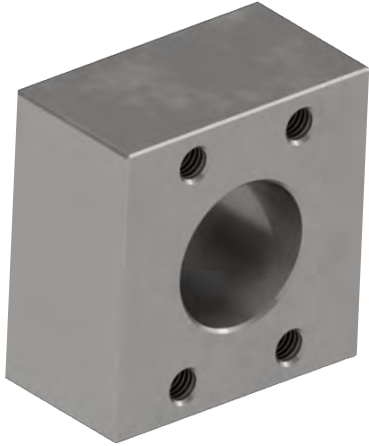


Due to our policy of continual product improvement, the specifications in this catalog may change without notice. When designing by spec, please request a certified print.



F3C/F6C Connector Block

Joins two standard SAE 4-bolt O-Ring flanges or split flange heads.



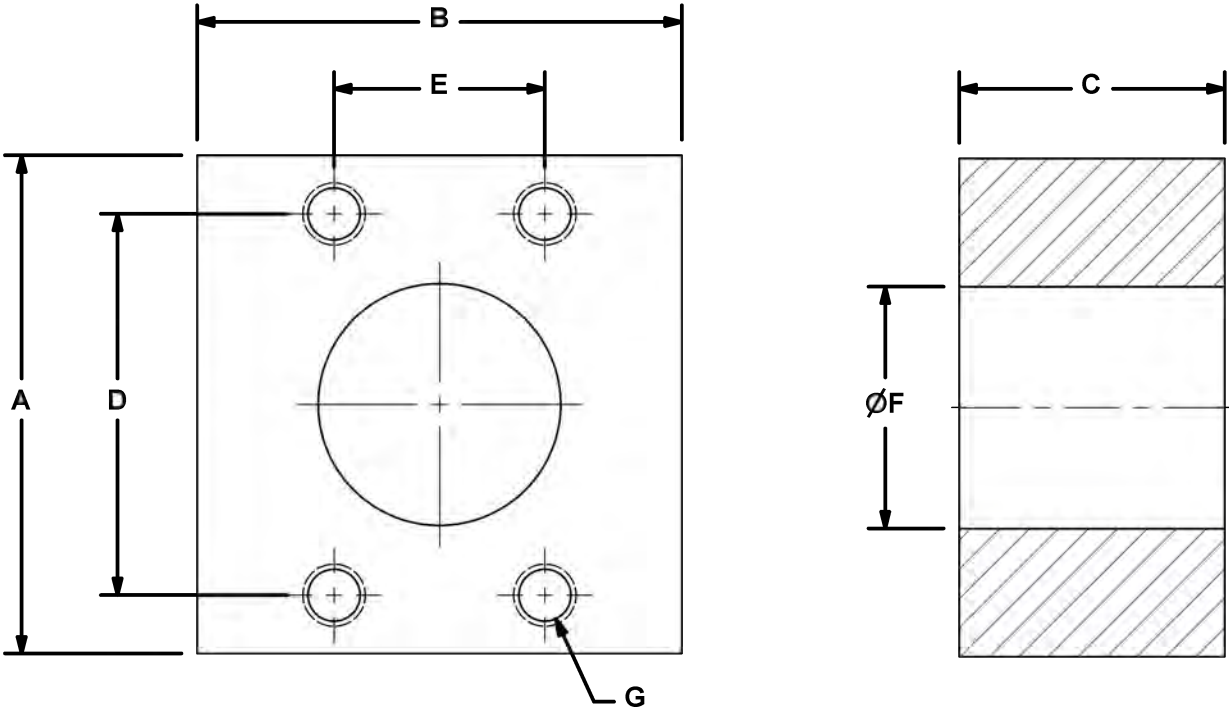
F3C (C.61) and F6C (C.62) connector blocks offer companion (flat face) SAE 4-bolt UNC connections on opposing sides to facilitate the union of standard SAE 4-bolt thru-hole O-Ring flanges.

- Versions for SAE Code 61 and SAE Code 62.
- Carbon steel or stainless steel construction.
- Simplifies hydraulic line connectivity.
- Gender changer for standard SAE flanges and split flange heads with O-Ring groove.

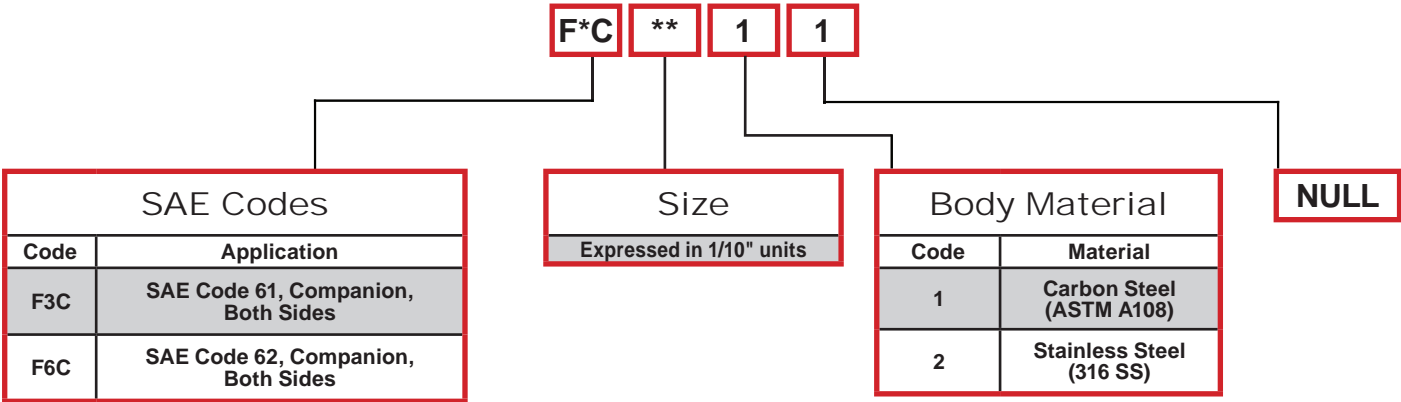
F3C Code 61 Connector Block Dimensions								
Dimensions (in)	Working PSI	A	B	C	D	E	F	G
Size Code		Overall Height	Overall Width	Overall Thickness	FLG Pad Long	FLG Pad Short	Bore Size	UNC Thru
05	5,000	2.25	2.00	1.69	1.50	0.69	0.50	5/16"
07	5,000	2.75	2.25	1.88	1.87	0.87	0.75	3/8"
10	5,000	3.00	2.50	1.88	2.06	1.03	1.00	3/8"
12	4,000	3.50	3.00	2.06	2.31	1.19	1.25	7/16"
15	3,000	4.00	3.50	2.25	2.75	1.41	1.50	1/2"
20	3,000	4.17	4.00	2.25	3.06	1.69	2.00	1/2"
25	2,500	4.50	4.50	2.25	3.50	2.00	2.50	1/2"
30	2,000	5.50	5.50	2.50	4.19	2.44	3.00	5/8"
35	500	6.00	6.00	2.50	4.75	2.75	3.50	5/8"
40	500	6.57	6.00	2.50	5.13	3.06	4.00	5/8"
F6C Code 62 Connector Block Dimensions								
Dimensions (in)	Working PSI	A	B	C	D	E	F	G
Size Code		Overall Height	Overall Width	Overall Thickness	FLG Pad Long	FLG Pad Short	Bore Size	UNC Thru
05	6000 PSI	2.25	2.00	1.75	1.59	0.72	0.50	5/16"
07		3.00	2.00	2.00	2.00	0.94	0.75	3/8"
10		3.50	3.00	2.25	2.25	1.09	1.00	7/16"
12		4.00	3.00	2.06	2.63	1.25	1.25	1/2"
15		4.50	3.00	2.88	3.13	1.44	1.50	5/8"
20		5.43	4.00	3.13	3.81	1.75	2.00	3/4"
25		7.08	6.00	4.25	4.87	2.31	2.50	7/8"
30		8.50	7.00	4.88	6.00	2.81	3.00	1 1/8"



F3C/F6C Connector Block



Ordering Codes Summary



Note: Changes from Standard Materials may result in changes to temperature and/or pressure rating.

Due to our policy of continual product improvement, the specifications in this catalog may change without notice. When designing by spec, please request a certified print.



F3E/F6E Elbow Block

Provides a 90° elbow connection for SAE 4-bolt flanges or split flange heads.



F3E and F6E elbow blocks offer a companion SAE 4-bolt UNC flat face connection on one or both faces to facilitate the 90° union of SAE 4-bolt flanges or split flange heads.

- Versions for SAE Code 61 and SAE Code 62.
- Carbon steel or stainless steel construction.
- 4-bolt companion (flat face) SAE UNC - always on one face.
- Choice of either 4-bolt companion (flat face) SAE UNC flange or 4-bolt standard SAE O-Ring flange on other face.
- Simplifies hydraulic line connectivity.
- Supplied with 2 O-Rings.

F3E Code 61 Elbow Block Dimensions

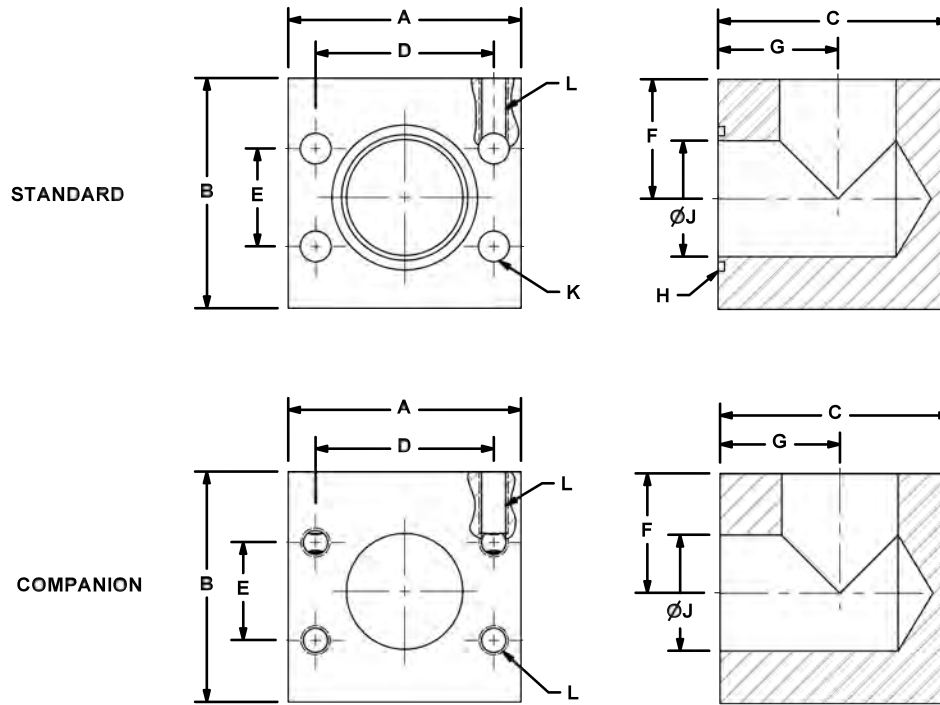
Dimensions (in)	Working PSI	A	B	C	D	E	F	G	H	J	K	L
Size Code		Overall Width	Overall Height	Overall Thickness	FLG Pad Long	FLG Pad Short	Top To Center	Front To Center	O-Ring No.	Bore Size	Clearance Hole	UNC THD
05	5,000	2.25	2.38	2.22	1.50	0.69	1.38	1.22	2-210	0.50	0.33	5/16"
07	5,000	3.00	2.75	2.47	1.87	0.87	1.63	1.31	2-214	0.75	0.40	3/8"
10	5,000	3.00	3.00	2.97	2.06	1.03	1.75	1.69	2-219	1.00	0.40	3/8"
12	4,000	3.50	3.56	3.47	2.31	1.19	2.00	1.94	2-222	1.25	0.47	7/16"
15	3,000	4.00	3.88	3.97	2.75	1.41	2.13	2.25	2-225	1.50	0.53	1/2"
20	3,000	4.50	4.50	4.47	3.06	1.69	2.25	2.44	2-228	2.00	0.53	1/2"
25	2,500	4.50	4.75	4.47	3.50	2.00	2.38	2.25	2-232	2.50	0.53	1/2"
30	2,000	5.50	5.50	5.47	4.19	2.44	2.75	2.78	2-237	3.00	0.66	5/8"
35	500	6.00	6.00	5.97	4.75	2.75	3.00	3.13	2-241	3.50	0.66	5/8"
40	500	6.50	6.50	6.47	5.13	3.06	3.25	3.38	2-245	4.00	0.66	5/8"

F6E Code 62 Elbow Block Dimensions

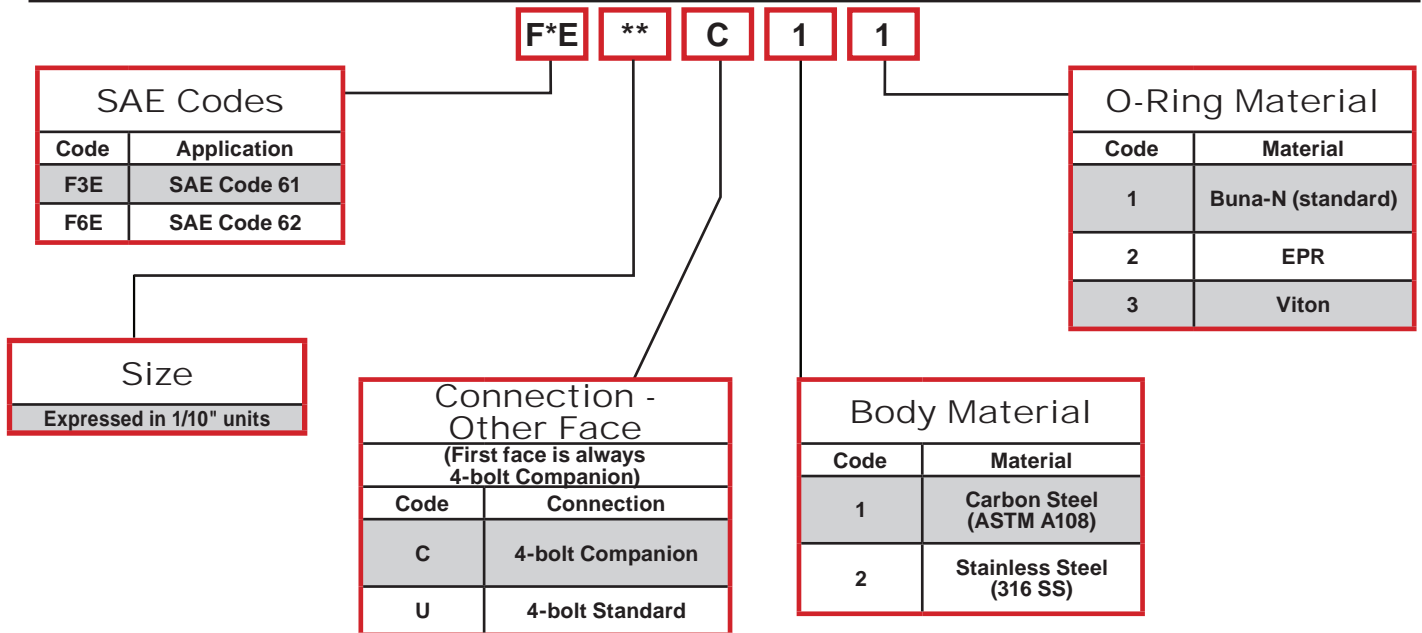
Dimensions (in)	Working PSI	A	B	C	D	E	F	G	H	J	K	L
Pad Size		Overall Width	Overall Height	Overall Thickness	FLG Pad Long	FLG Pad Short	Top To Center	Front To Center	O-Ring No.	Bore Size	Clearance Hole	UNC THD
05	6000 PSI	2.50	2.50	2.47	1.59	0.72	1.44	1.44	2-210	0.50	0.33	5/16"
07		3.00	3.00	2.97	2.00	0.94	1.69	1.63	2-214	0.75	0.40	3/8"
10		3.50	3.50	3.47	2.25	1.09	2.00	2.00	2-219	1.00	0.47	7/16"
12		4.00	4.00	3.47	2.63	1.25	2.00	1.84	2-222	1.25	0.53	1/2"
15		4.50	5.13	4.47	3.13	1.44	2.56	2.50	2-225	1.50	0.66	5/8"
20		5.50	5.75	4.97	3.81	1.75	2.88	2.63	2-228	2.00	0.78	3/4"
25		7.00	7.50	6.97	4.87	2.31	3.75	3.94	2-232	2.50	0.91	7/8"
30		8.00	9.00	7.97	6.00	2.81	4.50	4.44	2-237	3.00	1.16	1 1/8"



F3E/F6E Elbow Block



Ordering Codes Summary



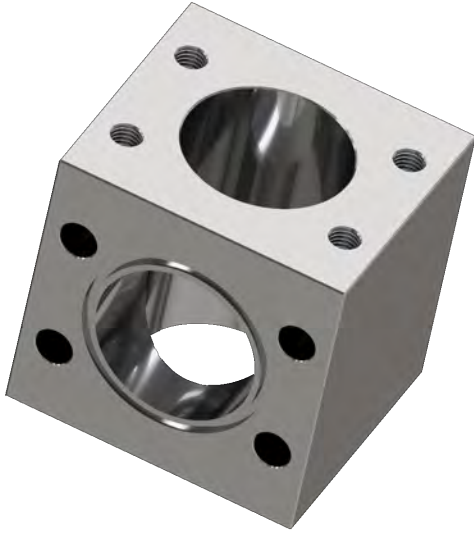
Note: Changes from Standard Materials may result in changes to temperature and/or pressure rating.

Due to our policy of continual product improvement, the specifications in this catalog may change without notice. When designing by spec, please request a certified print.



F3J/F6J Tee Junction Block

Provides a branch connection for SAE 4-bolt flanges or split flange heads.



F3J and F6J tee junction blocks offer a 4-bolt companion (flat face) SAE UNC connection on opposing faces and either the same 4-bolt companion (flat face) SAE UNC connection or a 4-bolt standard SAE O-Ring connection on the 90° branch face.

- Versions for SAE Code 61 and SAE Code 62.
- Carbon steel or stainless steel construction.
- 4-bolt companion (flat face) SAE UNC - always on opposing faces.
- Choice of either 4-bolt companion (flat face) SAE UNC flange or 4-bolt standard SAE O-ring flange on the branch face.
- Simplifies hydraulic line connectivity.
- Supplied with 3 O-Rings.

F3J Code 61 Tee Junction Block Dimensions

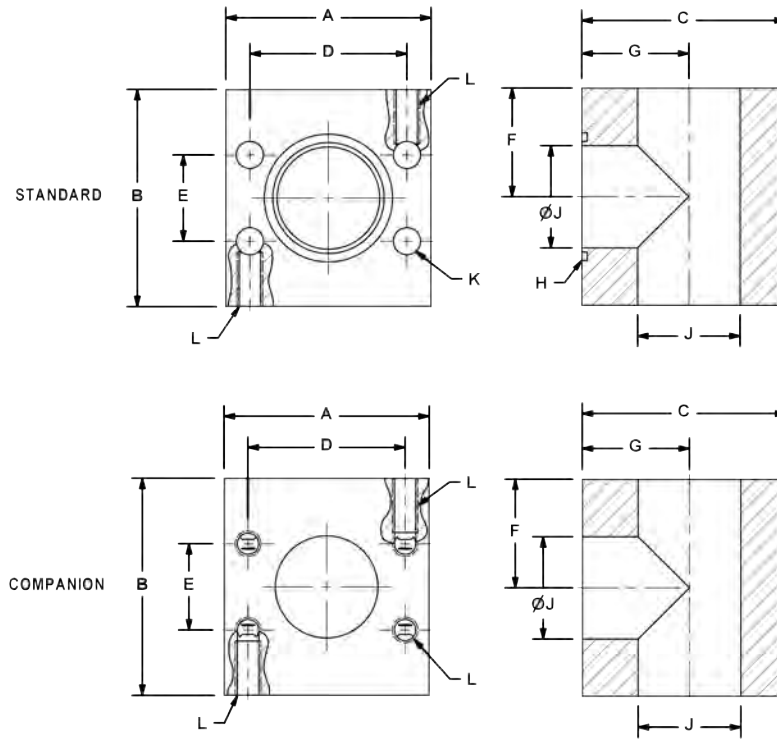
Dimensions (in)	Working PSI	A	B	C	D	E	F	G	H	J	K	L
Pad Size		Overall Width	Overall Height	Overall Thickness	FLG Pad Long	FLG Pad Short	Top To Center	Front To Center	O-Ring No.	Bore Size	Clearance Hole	UNC THD
05	5,000	2.25	2.75	2.22	1.50	0.69	1.38	1.22	2-210	0.50	0.33	5/16"
07	5,000	3.00	3.25	2.47	1.87	0.87	1.63	1.31	2-214	0.75	0.33	3/8"
10	5,000	3.00	3.50	2.97	2.06	1.03	1.75	1.69	2-219	1.00	0.40	3/8"
12	4,000	3.50	4.00	3.47	2.31	1.19	2.00	1.94	2-222	1.25	0.47	7/16"
15	3,000	4.00	4.25	3.97	2.75	1.41	2.13	2.25	2-225	1.50	0.53	1/2"
20	3,000	4.50	4.50	4.47	3.06	1.69	2.25	2.44	2-228	2.00	0.53	1/2"
25	2,500	4.50	4.75	4.47	3.50	2.00	2.38	2.25	2-232	2.50	0.53	1/2"
30	2,000	5.50	5.50	5.47	4.19	2.44	2.75	2.78	2-237	3.00	0.66	5/8"
35	500	6.00	6.00	5.97	4.75	2.75	3.00	3.13	2-241	3.50	0.66	5/8"
40	500	6.50	6.50	6.47	5.13	3.06	3.25	3.38	2-245	4.00	0.66	5/8"

F6J Code 62 Tee Junction Block Dimensions

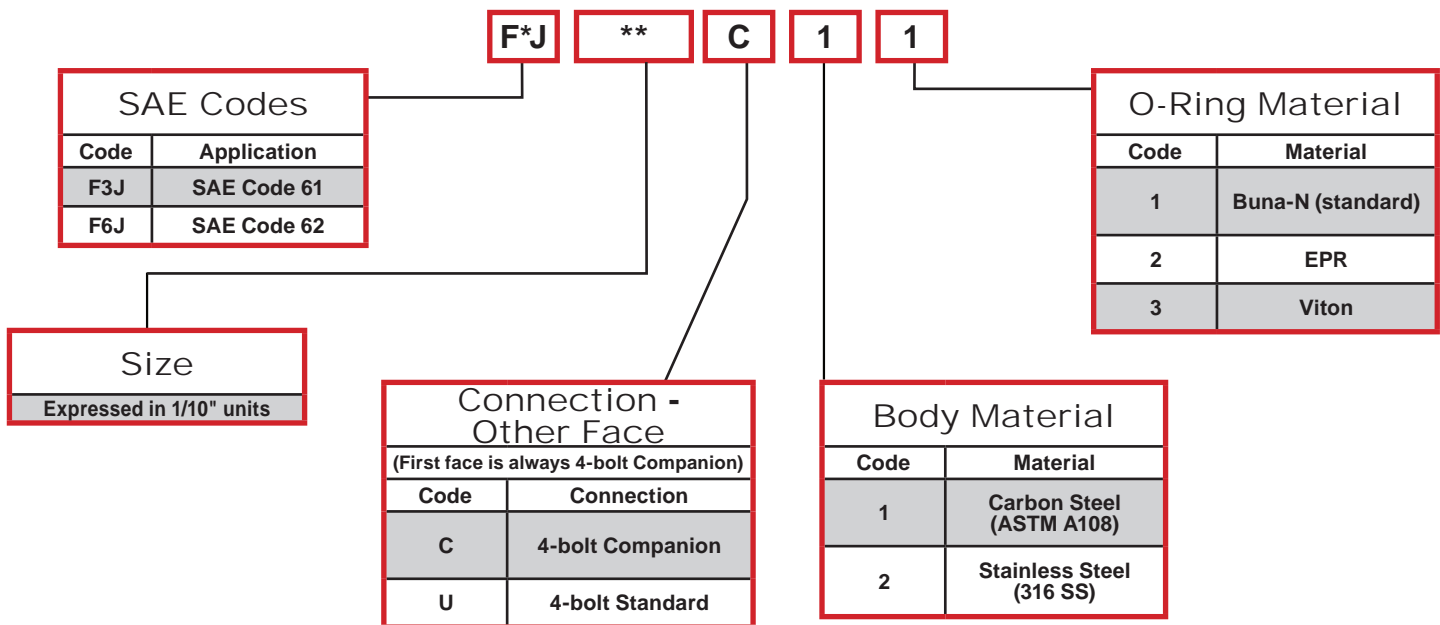
Dimensions (in)	Working PSI	A	B	C	D	E	F	G	H	J	K	L
Pad Size		Overall Width	Overall Height	Overall Thickness	FLG Pad Long	FLG Pad Short	Top To Center	Front To Center	O-Ring No.	Bore Size	Clearance Hole	UNC THD
05	6000 PSI	2.50	2.88	2.47	1.59	0.72	1.44	1.44	2-210	0.50	0.33	5/16"
07		3.00	3.38	2.97	2.00	0.94	1.69	1.63	2-214	0.75	0.40	3/8"
10		3.50	4.00	3.47	2.25	1.09	2.00	2.00	2-219	1.00	0.47	7/16"
12		4.00	4.00	3.47	2.63	1.25	2.00	1.84	2-222	1.25	0.53	1/2"
15		4.50	5.13	4.47	3.13	1.44	2.56	2.50	2-225	1.50	0.66	5/8"
20		5.50	5.75	4.97	3.81	1.75	2.88	2.63	2-228	2.00	0.78	3/4"
25		7.00	7.50	6.97	4.87	2.31	3.75	3.94	2-228	2.50	0.91	7/8"
30		8.00	9.00	7.97	6.00	2.81	4.50	4.44	2-228	3.00	1.16	1 1/8"



F3J/F6J Tee Junction Block



Ordering Codes Summary



Note: Changes from Standard Materials may result in changes to temperature and/or pressure rating.

Due to our policy of continual product improvement, the specifications in this catalog may change without notice. When designing by spec, please request a certified print.



www.dmic.com
DMIC Flange Catalog
Copyright ©2019 Delaware Mfg.

DFL-1909A
Page 27

Call Toll Free 1-800-248-3642
In Canada 1-800-320-3642





Save time and money with the “SSW” System

~ The Quality Choice when Safety and Design Integrity Prevail over Price ~



WE CARE ABOUT YOU. You've selected genuine DMIC quality, and you deserve the best service. If you are unsatisfied about some aspect of your experience with DMIC products, or wish to inquire about the possibility of becoming a DMIC Distributor, please call us. Your satisfaction is our first priority.



3776 Commerce Court
Wheatfield, NY 14120
1-800-248-DMIC (3642)
Phone: 716-743-4360
Fax: 716-743-4370



330 Vansickle Road – Unit 4
St. Catharines, ON, L2S 0B4
1-800-320-DMIC (3642)
Phone: 905-688-3642
Fax: 905-688-9993