

FLANGED BALL VALVES ASME CLASS 150 & 300

REDUCED BORE:

1/2" – 20" (DN 15 – 500) SERIES 7000

The Jamesbury® polymer-seated flanged ball valves provide industry leading performance and reliability. Offered in a wide variety of materials to suit an extensive range of applications these valves are designed and manufactured with all our latest technology and expertise.



Unique Sealing

The superior performance of *Jamesbury* ball valves is achieved by the unique design of the seats. The flexible lip seats exert continuous sealing pressure on the ball and automatically compensate for wear and changes in pressure and temperature, yielding positive bi-directional zero-leak shut-off. The stem seal sealing system ensures minimum emissions.

Materials

Standard products are available with carbon steel body and stainless steel trim or all stainless steel construction. Special body and trim materials such as Alloy 20, Hastelloy® C, and others are available upon request. For applications involving chemicals, acids, caustics, and steam we recommend our Xtreme® seat material, which provides superior life-cycle and sealing performance compared to virgin or filled PTFE. We can accommodate nearly any special customer or application specific requirement.

Fite-Tite® Valves

All *Jamesbury Fire-Tite* flanged ball valves are qualified to API 607 and ISO 10497. This ensures minimal leakage in the event of a fire.

CE marked

CE marked and documented product conforming to the European Pressure Equipment Directive (PED) 2014/68/EU and ATEX Directive 2014/34/EU is available as standard product.

Features And Benefits

- ❑ Robust engineering design yields leading cycle life
- ❑ Outstanding quality provides confidence
- ❑ Flexible lip seat provides bi-directional zero-leak shut-off and minimum maintenance
- ❑ Xtreme seats provide longer life and expanded pressure-temperature capability
- ❑ Patented stem seal system engineered to provide superior emissions performance (1/2" - 2")
- ❑ Live loaded stem packing enhances emissions performance and reduces maintenance (1/2" - 8")
- ❑ ISO 5211 bonnet mounting design (1/2" - 8")
- ❑ API 607 qualified
- ❑ API 608 compliance & grounding as standard (3" - 8")
- ❑ ISO 15848-1 Class BH rated (1/2" - 8")
- ❑ Standard materials meet requirements of NACE MR0103 and MR0175 (see p29 & 30)
- ❑ SIL 3 qualified

Emission-Pak® Valves

Jamesbury Emission-Pak products feature a double stem seal packing system to provide additional sealing performance for critical services. This feature is ISO 15848-1 Class AH rated.

Automated Assemblies

Valves, actuators, and accessories designed to mate together with precision ensures superior performance.

SPECIFICATIONS

Flow Data

The table at right provides flow coefficients for *Jamesbury* valves covered in this bulletin. Cv values represent the flow of water at +60°F through the valve in U.S. gallons per minute at a pressure drop of 1 psi. The metric equivalent, K_v , is the flow of water at +16°C through the valve in cubic meters per hour at a pressure drop of 1 kg/cm². To convert Cv to Kv, multiply by 0.8569.

Valve Body Ratings

These are the maximum working pressure ratings of the valve body only. The seat ratings, shown on the next page, determine the practical temperature and pressure limitations according to actual service conditions. Test pressures are recommended pressures for hydrostatic test with ball half open.

Valve Size		Cv
Inches	DN	Standard Bore
1/2	15	9
3/4	20	19
1	25	45
1-1/2	40	125
2	50	165
3	80	350
4	100	550
6	150	765
8	200	1890
10	250	3900
12	300	6700
14	350	5100/5400*
16	400	8100/8500*
18	450	11,000/9800*
20	500	16,000/13,000*

* Class 300 long pattern

Maximum Working Pressure, psi						
Temp °F	Class 150				Class 300	
	Carbon steel	316 Stainless steel	Alloy 20	Monel®	Carbon steel	316 Stainless steel
-20 to 100	285	275	230	230	740	720
200	260	235	200	200	675	620
300	230	215	190	190	655	560
400	200	195	190	185	635	515
500	170	170	170	170	600	480
Test Pressure	450	425	350	350	1125	1100

Maximum Working Pressure, bar						
Temp °C	Class 150				Class 300	
	Carbon steel	316 Stainless steel	Alloy 20	Monel	Carbon steel	316 Stainless steel
-29 to 38	19.6	19.0	15.9	15.9	51.1	49.6
93	17.7	16.2	13.5	13.5	46.6	42.2
149	15.8	14.8	13.1	13.1	45.1	38.5
204	13.8	13.7	13.1	13.1	43.8	35.7
260	11.7	11.7	11.7	11.7	41.9	33.4
Test Pressure	30	29	24	24	77	75

Valve Seat Ratings

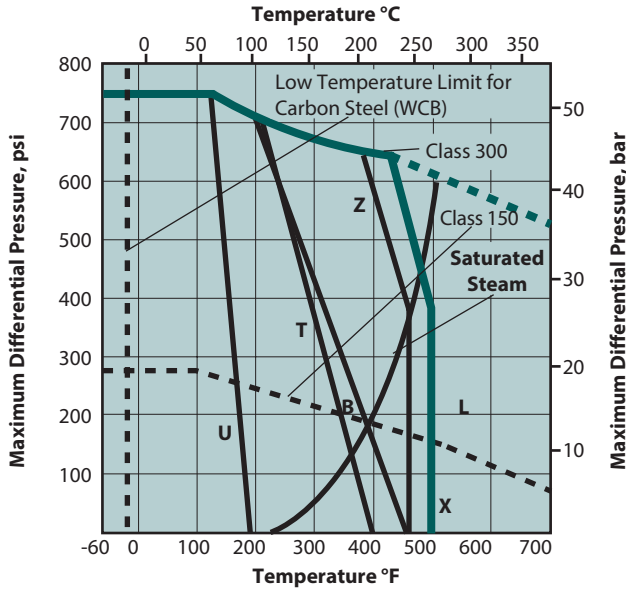
Seat ratings, indicated by solid lines in the charts on the next page, are based on differential pressure with the valve ball in the fully closed position and refer to seats only. The dotted lines indicate maximum working pressures for *WCB carbon steel* valve bodies. (Maximum working pressures of other body materials are shown in the tables above.) The combination of dotted and solid lines indicates the maximum valve rating at specific pressure and temperature conditions. Valves with PTFE, *Xtreme*, PEEK®, PFA, and UHMW polyethylene seats can be used in service to -60°F (-51°C) provided that the valve body material is suitable for such a temperature. Carbon steel valves are rated to -20°F (-29°C).

For saturated steam service, stainless steel trim is recommended at all pressures and is required above 200 psi (14 bar). See Bulletin B150-1. For more application information on seat materials, refer to Bulletin T140-1.

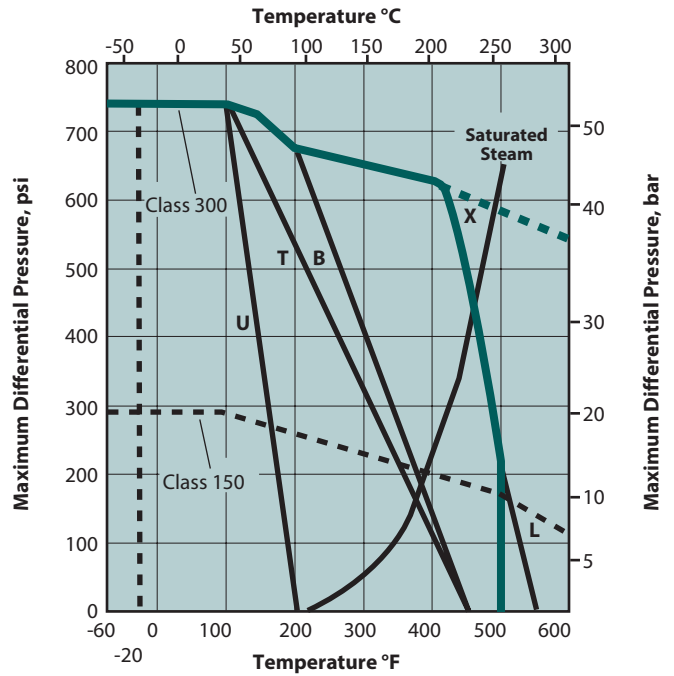
Xtreme Performance and Value

Xtreme seats provide longer life, expanded performance boundaries, and the greatest possible value. *Xtreme* material is unique, resulting from a technological breakthrough in our polymer research lab. The material is a proprietary fluoropolymer based blend that provides superior quarter-turn performance.

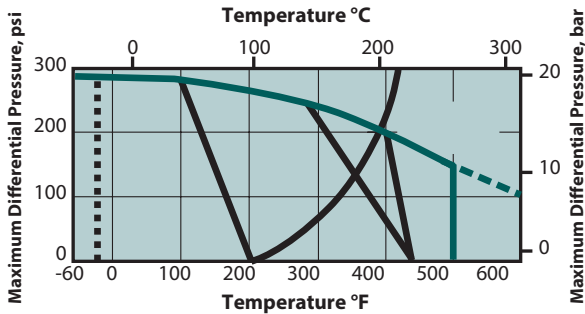
1/2" – 2" (DN 15 – 50) Standard Bore



3" – 6" (DN 80 – 150) Standard Bore

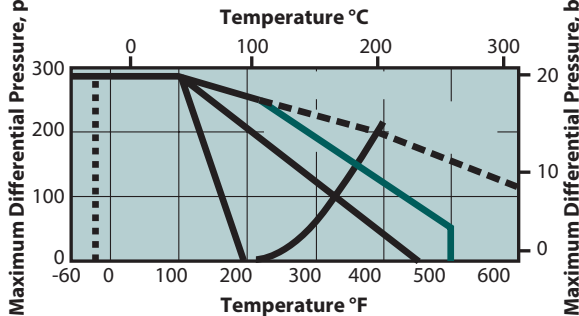


8" (DN 200) Standard Bore Non-Trunnion



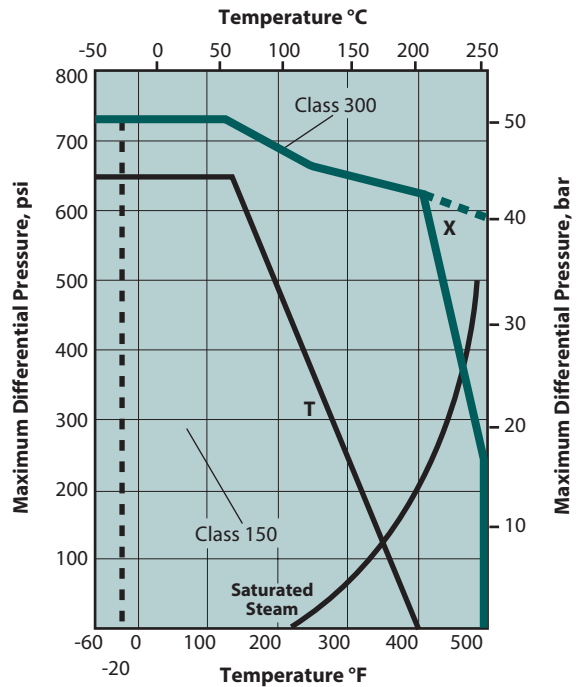
* ASME Class 300 Non-Trunnion is 275 psi (19 bar) max.

10" (DN 250) Standard Bore Non-Trunnion



* ASME Class 300 Non-Trunnion is 275 psi (19 bar) max.

**Trunnion Valves
8" – 20" (DN 200 – 500) Standard Bore**

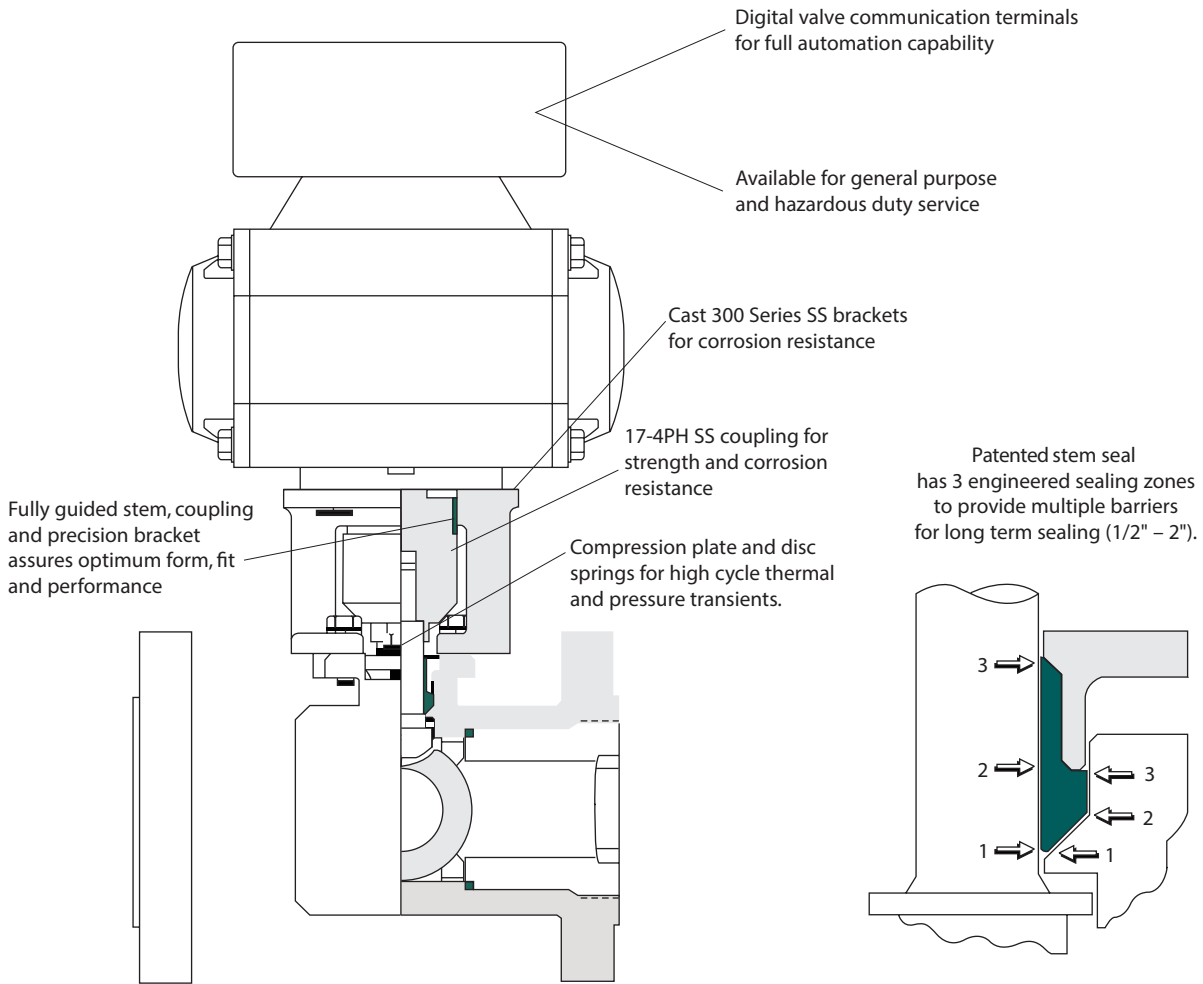


T = PTFE
L = PEEK

LEGEND:
U = UHMW
Z = TFM

B = PFA
X = Xtreme

**'The Ultimate Process Automation Package for VPVL Pneumatic Actuators,
V-Series, ADC-Series and QX-Series Electric Actuators
with 1/2" – 8" (DN 15 – 200) Standard Port Series 7000**



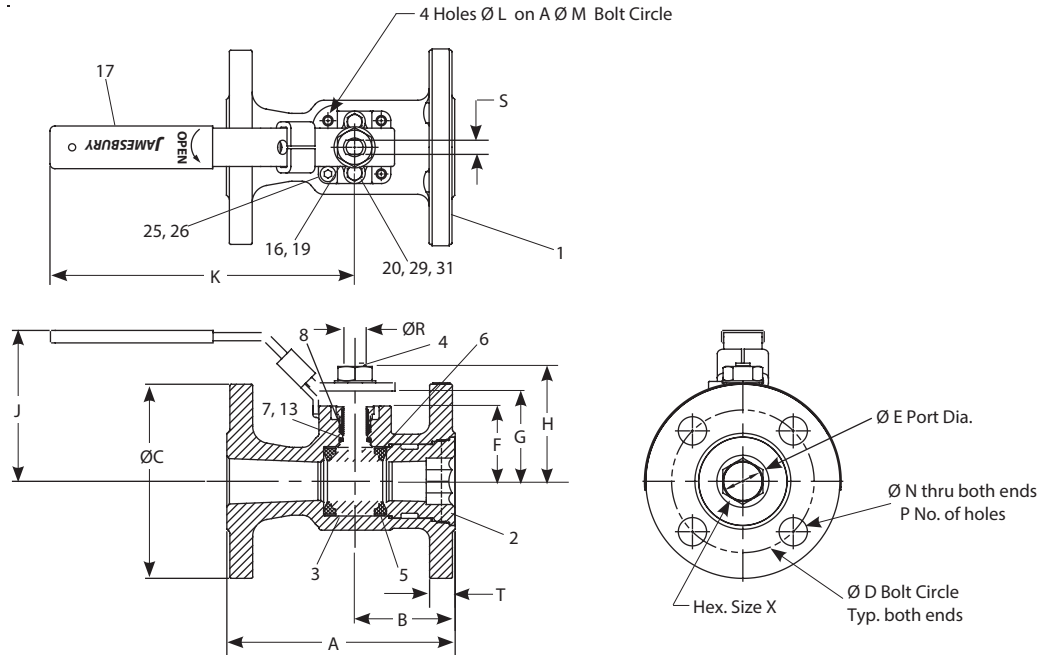
Automation Performance and Value

Valves combined with *Jamesbury* actuators offer a total value and performance package. Available with pneumatic Valv-Powr® VPVL actuators, V-Series, ADC-Series and QX-Series electric actuators and with Stonel® Quartz®

and Hawkeye® digital monitors or VCTs, the packages have a wide range of applications. Visit our website at: www.metso.com/valves

DIMENSIONS

1/2" - 2" (DN15 - 50) Series 7150 ASME Class 150 and Series 7300 & 730S ASME Class 300 (Non-Trunnion)



Valve Size inches	Series 7150 ASME Class 150 Approximate Dimensions - inches																	ISO Bonnet	Approx Weight lb	
	A	B	C	D	E	F	G	H	J	K	L	M	N	P	R	S	T			X
1/2	4.25	1.94	3.50	2.38	0.50	1.06	1.33	1.63	3.38	5.00	M5	1.42	0.62	4	0.31	0.18	0.50	0.50	F03	3.5
3/4	4.63	2.00	3.88	2.75	0.69	1.22	1.49	1.79	3.50	5.00	M5	1.42	0.62	4	0.31	0.18	0.50	0.69	F03	4.5
1	5.00	2.19	4.25	3.12	0.88	1.65	2.04	2.58	3.69	6.50	M5	1.65	0.62	4	0.50	0.31	0.56	0.88	F04	7.5
1-1/2	6.50	2.65	5.00	3.88	1.25	2.08	2.59	3.30	4.27	8.00	M6	1.97	0.62	4	0.62	0.37	0.69	1.25	F05	11.5
2	7.00	2.64	6.00	4.75	1.50	2.26	2.78	3.49	4.46	8.00	M6	1.97	0.75	4	0.62	0.37	0.75	1.50	F05	16.0

Valve Size DN	Series 7150 ASME Class 150 Approximate Dimensions - mm																	ISO Bonnet	Approx Weight kg	
	A	B	C	D	E	F	G	H	J	K	L	M	N	P	R	S	T			X
15	108	49	89	60	13	27	34	41	86	127	M5	36	16	4	8	5	13	13	F03	1.6
20	118	51	99	70	18	31	38	45	89	127	M5	36	16	4	8	5	13	18	F03	2.0
25	127	56	108	79	22	42	52	66	94	165	M5	42	16	4	13	8	14	22	F04	3.4
40	165	67	127	99	32	53	66	84	108	203	M6	50	16	4	16	9	18	32	F05	5.2
50	178	67	152	121	38	57	71	89	113	203	M6	50	19	4	16	9	19	38	F05	7.3

Valve Size inches	Series 7300 & 730S ASME Class 300 Approximate Dimensions - inches																	ISO Bonnet	Approx Weight lb			
	7300	730S	B	C	D	E	F	G	H	J	K	L	M	N	P	R	S		T	X	730S	7300
	A	A																			730S	7300
1/2	5.50	4.25	1.94	3.75	2.62	0.50	1.06	1.33	1.63	3.38	5.00	M5	1.42	0.62	4	0.31	0.18	0.56	0.50	F03	5.0	6.0
3/4	6.00	4.63	2.00	4.62	3.25	0.69	1.22	1.49	1.79	3.50	5.00	M5	1.42	0.75	4	0.31	0.18	0.62	0.69	F03	8.0	8.0
1	6.50	5.00	2.19	4.88	3.50	0.88	1.65	2.04	2.58	3.69	6.50	M5	1.65	0.75	4	0.50	0.31	0.69	0.88	F04	9.5	9.5
1-1/2	7.50	6.50	2.65	6.12	4.50	1.25	2.08	2.59	3.30	4.27	8.00	M6	1.97	0.88	4	0.62	0.37	0.81	1.25	F05	17.5	16.0
2	8.50	7.00	2.64	6.50	5.00	1.50	2.26	2.78	3.49	4.46	8.00	M6	1.97	0.75	8	0.62	0.37	0.88	1.50	F05	21.0	22.0

Valve Size DN	Series 7300 & 730S ASME Class 300 Approximate Dimensions - mm																	ISO Bonnet	Approx Weight kg			
	7300	730S	B	C	D	E	F	G	H	J	K	L	M	N	P	R	S		T	X	730S	7300
	A	A																			730S	7300
15	140	108	49	95	67	13	27	34	41	86	127	M5	36	16	4	8	5	14	13	F03	2.3	2.7
20	152	118	51	117	83	18	31	38	45	89	127	M5	36	19	4	8	5	16	18	F03	3.6	3.6
25	165	127	56	124	89	22	42	52	66	94	165	M5	42	19	4	12	8	18	22	F04	4.3	4.3
40	191	165	67	155	114	32	53	66	84	108	203	M6	50	22	4	16	9	21	32	F05	7.9	7.3
50	216	178	67	165	127	38	57	71	89	113	203	M6	50	19	8	16	9	22	38	F05	9.5	10.0

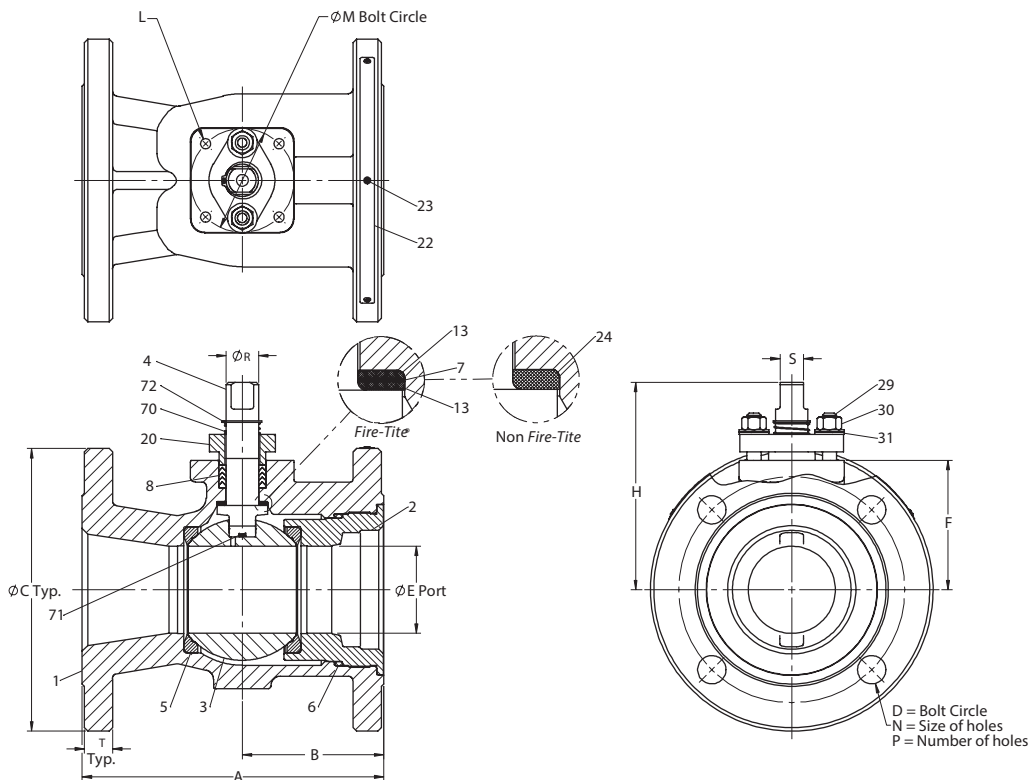
BILLS OF MATERIALS AND PARTS LIST					
Fire-Tite 1/2" – 2" (DN15 – 50) Standard Port Series 7000 Valves					
Part No.	Part Name	Body Material			
		Carbon Steel (22)	316 Stainless Steel (36)	Alloy 20 (35)	Monel (71)
1	Body	Carbon steel ASTM A216 Type WCB	316 Stainless steel ASTM A351 Type CF8M	Alloy 20 ASTM A351 Type CN7M	Monel ASTM A494 Type M35-1
2	Insert	Carbon steel ASTM A216 Type WCB	316 Stainless steel ASTM A351 Type CF8M	Alloy 20 ASTM A351 Type CN7M	Monel ASTM A494 Type M35-1
3	Ball	316 Stainless steel, Monel, Hastelloy C		Alloy 20	Monel, Hastelloy C as specified
4	Stem	316 Stainless steel, Monel, Hastelloy C		Alloy 20	Monel, Hastelloy C as specified
5	Seat	PTFE, Xtreme, PFA			
6	Body Seal	TFM			
7	Secondary Stem Seal	Graphite			
8	Primary Stem Seal	PTFE (w/ PTFE seats), TFM (w/ Xtreme & PFA seats)			
13	Stem Bearing	PTFE, Filled PTFE			
16	Hex Nut	Carbon steel (zinc plated)	300 Series Stainless steel		
17	Handle	Carbon steel (zinc plated)	300 Series Stainless steel		
19	Lock Washer	Carbon steel (zinc plated)	300 Series Stainless steel		
20	Compression Plate	316 Stainless steel			Monel
25	Socket Cap Screw	300 Series Stainless steel			
26	Handle Stop Spacer	300 Series Stainless steel			
29	Hex Cap Screw	300 Series Stainless steel (Monel if Chlorine or NACE)			Monel
31	Disc Springs	Inconel®			

BILLS OF MATERIALS AND PARTS LIST					
Non Fire-Tite 1/2" – 2" (DN 15 – 50) Standard Port Series 7000 Valves					
Part No.	Part Name	Body Material			
		Carbon Steel (22)	316 Stainless Steel (36)	Alloy 20 (35)	Monel (71)
1	Body	Carbon steel ASTM A216 Type WCB	316 Stainless steel ASTM A351 Type CF8M	Alloy 20 ASTM A351 Type CN7M	Monel ASTM A494 Type M35-1
2	Insert	Carbon steel ASTM A216 Type WCB	316 Stainless steel ASTM A351 Type CF8M	Alloy 20 ASTM A351 Type CN7M	Monel ASTM A494 Type M35-1
3	Ball	316 Stainless Steel, Monel, Hastelloy C		Alloy 20	Monel, Hastelloy C as specified
4	Stem	316 Stainless Steel, Monel, Hastelloy C		Alloy 20	Monel, Hastelloy C as specified
5	Seat	PTFE, Xtreme, PFA, PEEK' & UHMWPE			
6	Body Seal	TFM (w/Xtreme seats), UHMWPE (w/UHMWPE seats), Graphite (w/PEEK seats)			
8	Primary Stem Seal	PTFE (w/ PTFE seats), TFM (w/ Xtreme & PFA seats), UHMWPE (w/ UHMWPE seats), Graphite (w/PEEK seats)			
10	Stem Guide	PEEK (PEEK seated valves)			
16	Hex Nut	Carbon steel (zinc plated)	300 Series Stainless steel		
17	Handle	Carbon steel (zinc plated)	300 Series Stainless steel		
19	Lock Washer	Carbon steel (zinc plated)	300 Series Stainless steel		
20	Compression Plate	316 Stainless steel			Monel
22	Identification Tag	Stainless steel			
23	Pop Rivet	Stainless steel			
24	Stem Bearing	PTFE (w/ PTFE seats), Filled PTFE (w/ Xtreme & PFA seats), PEEK (w/ PEEK seats), UHMWPE (w/UHMWPE seats)			
25	Socket Cap Screw	300 Series Stainless steel			
26	Handle Stop Spacer	300 Series Stainless steel			
29	Hex Cap Screw	300 Series Stainless steel (Monel if Chlorine or NACE)			Monel
31	Disc Springs	Inconel			

Note 1: 17-4 PH stems required with PEEK seats

DIMENSIONS

3" - 6" (DN80 - 150) Series 7150 ASME Class 150 and Series 7300 & 730S ASME Class 300 (Non-Trunnion)



Valve Size inches	Series 7150 ASME Class 150 Approximate Dimensions - inches															ISO Pattern	Weight lb
	A	B	C	D	E	F	H	L	M	N	P	R	S	T			
3	8.00	3.75	7.50	6.00	2.31	3.43	5.51	M8	2.76	0.75	4	0.86	0.62	0.75	F07	39	
4	9.00	4.39	9.00	7.50	3.00	3.90	6.00	M8	2.76	0.75	8	0.86	0.62	0.94	F07	63	
6	10.50	4.95	11.00	9.50	4.00	5.51	8.24	M10	4.02	0.88	8	1.11	0.81	1.00	F10	124	

Valve Size DN	Series 7150 ASME Class 150 Approximate Dimensions - mm															ISO Pattern	Weight kg
	A	B	C	D	E	F	H	L	M	N	P	R	S	T			
80	203	95	191	152	59	87	140	M8	70	19	4	22	16	19	F07	18	
100	229	111	229	191	76	99	152	M8	70	19	8	22	16	24	F07	29	
150	267	126	279	241	102	140	209	M10	102	22	8	28	21	25	F10	56	

Valve Size inches	Series 7300 & 730S ASME Class 300 Approximate Dimensions - inches															ISO Pattern	7300 Weight lb	730S Weight lb
	7300 A	730S A	B	C	D	E	F	H	L	M	N	P	R	S	T			
3	11.12	8.00	3.75	8.25	6.62	2.31	3.44	5.51	M8	2.76	0.88	8	0.86	0.62	1.12	F07	59	52
4	12.00	9.00	4.39	10.00	7.88	3.00	4.69	7.41	M10	4.11	0.88	8	1.11	0.81	1.25	F10	96	87
6	15.88	10.50	4.95	12.50	10.62	4.00	5.66	8.75	M12	4.92	0.88	12	1.61	1.12	1.44	F12	194	160

Valve Size DN	Series 7300 & 730S ASME Class 300 Approximate Dimensions - mm															ISO Pattern	7300 Weight kg	730S Weight kg
	7300 A	730S A	B	C	D	E	F	H	L	M	N	P	R	S	T			
80	282	203	95	210	168	59	87	140	M8	70	22	8	22	16	28	F07	27	24
100	305	229	111	254	200	76	119	188	M10	104	22	8	28	21	32	F10	44	39
150	403	267	126	318	270	102	144	222	M12	125	22	12	41	28	37	F12	88	73

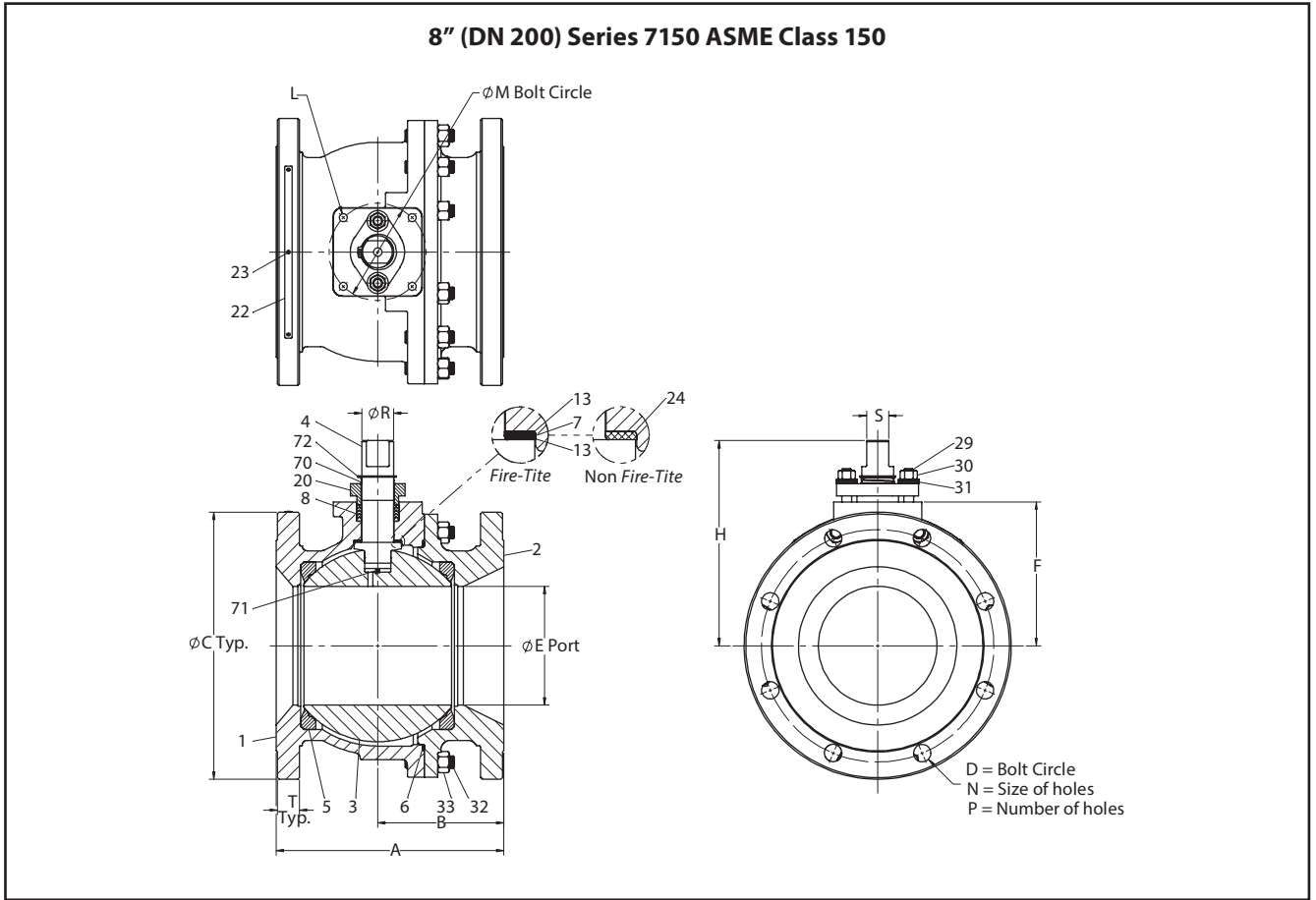
BILLS OF MATERIALS AND PARTS LIST					
Fire-Tite 3" – 6" (DN80 – 150) Standard Port Series 7000 Valves					
Part No.	Part Name	Body Material			
		Carbon Steel (22)	316 Stainless Steel (36)	Alloy 20 (35)	Monel (71)
1	Body	Carbon Steel ASTM A216 Type WCB	316 Stainless Steel ASTM A351 Type CF8M	Alloy 20 ASTM A351 Type CN7M	Monel ASTM A494 M35-1
2	Insert	Carbon Steel ASTM A216 Type WCB	316 Stainless Steel ASTM A351 Type CF8M	Alloy 20 ASTM A351 Type CN7M	Monel ASTM A494 M35-1
3	Ball	316 Stainless Steel, Monel, Hastelloy C		Alloy 20	Monel, Hastelloy C as specified
4	Stem	316 Stainless Steel, Monel, Hastelloy C		Alloy 20	Monel, Hastelloy C as specified
5	Seat	PTFE, Xtreme, PFA			
6	Body Seal	TFM			
7	Secondary Stem Seal	Graphite			
8	Stem Seal	PTFE (w/ PTFE seats), TFM (w/ Xtreme & PFA seats)			
13	Thrust Bearing	PTFE, Filled PTFE			
20	Compression Plate ¹	316 Stainless Steel			Monel
22	Identification Tag	Stainless Steel			
23	Pop Rivet	Stainless Steel			
29	Bonnet Stud	ASTM A193 GR. B8, B8C, B8T or B8M, Monel			
30	Bonnet Stud Nut	ASTM A194 GR. 8B, 8CB, 8MB, 8TB, 8FB, Monel			
31	Disc Springs	Inconel			
70	Top Grounding Spring	Stainless Steel			
71	Bottom Grounding Spring	Inconel			
72	Retaining Ring	Stainless Steel			

BILLS OF MATERIALS AND PARTS LIST					
Non Fire-Tite 3" – 6" (DN 80 – 150) Standard Port Series 7000 Valves					
Part No.	Part Name	Body Material			
		Carbon Steel (22)	316 Stainless Steel (36)	Alloy 20 (35)	Monel (71)
1	Body	Carbon Steel ASTM A216 Type WCB	316 Stainless Steel ASTM A351 Type CF8M	Alloy 20 ASTM A351 Type CN7M	Monel ASTM A494 M35-1
2	Insert	Carbon Steel ASTM A216 Type WCB	316 Stainless Steel ASTM A351 Type CF8M	Alloy 20 ASTM A351 Type CN7M	Monel ASTM A494 M35-1
3	Ball	316 Stainless Steel, Monel, Hastelloy C		Alloy 20	Monel, Hastelloy C as specified
4	Stem	316 Stainless Steel, Monel, Hastelloy C		Alloy 20	Monel, Hastelloy C as specified
5	Seat	PTFE, Xtreme, PFA, PEEK ² & UHMWPE			
6	Body Seal	TFM (w/ PTFE, Xtreme, PFA seats), UHMWPE (w/ UHMWPE seats), Graphite (w/ PEEK seats)			
8	Stem Seal	PTFE (w/ PTFE seats), TFM (w/ Xtreme & PFA seats), UHMWPE (w/ UHMWPE seats), Graphite (w/ PEEK seats)			
13	Thrust Bearing	PTFE, Filled PTFE			
20	Compression Plate	316 Stainless Steel			Monel
22	Identification Tag	Stainless Steel			
23	Pop Rivet	Stainless Steel			
24	Thrust Bearing	PTFE (w/ PTFE seats), Filled PTFE (w/ Xtreme & PFA seats), PEEK (w/ PEEK seats), UHMWPE (w/ UHMWPE seats)			
29	Bonnet Stud	ASTM A193 GR. B8, B8C, B8T or B8M, Monel			
30	Bonnet Stud Nut	ASTM A194 GR. 8B, 8CB, 8MB, 8TB, 8FB, Monel			
31	Disc Springs	Inconel			
70	Top Grounding Spring	Stainless Steel			
71	Bottom Grounding Spring	Inconel			
72	Retaining Ring	Stainless Steel			

Note 1: Compression plate and body seal are Monel for valves with Monel or Hastelloy C trim.

Note 2: 17-4PH stems are required with PEEK seats.

DIMENSIONS



Valve Size inches	Series 7150 Emission-Pak ASME Class 150 Approximate Dimensions - inches														ISO Pattern	Weight lb
	A	B	C	D	E	F	H	L	M	N	P	R	S	T		
8	11.50	6.37	13.50	11.75	6.00	11.39	14.49	M12	4.92	0.88	8	1.61	1.12	1.12	F12	282

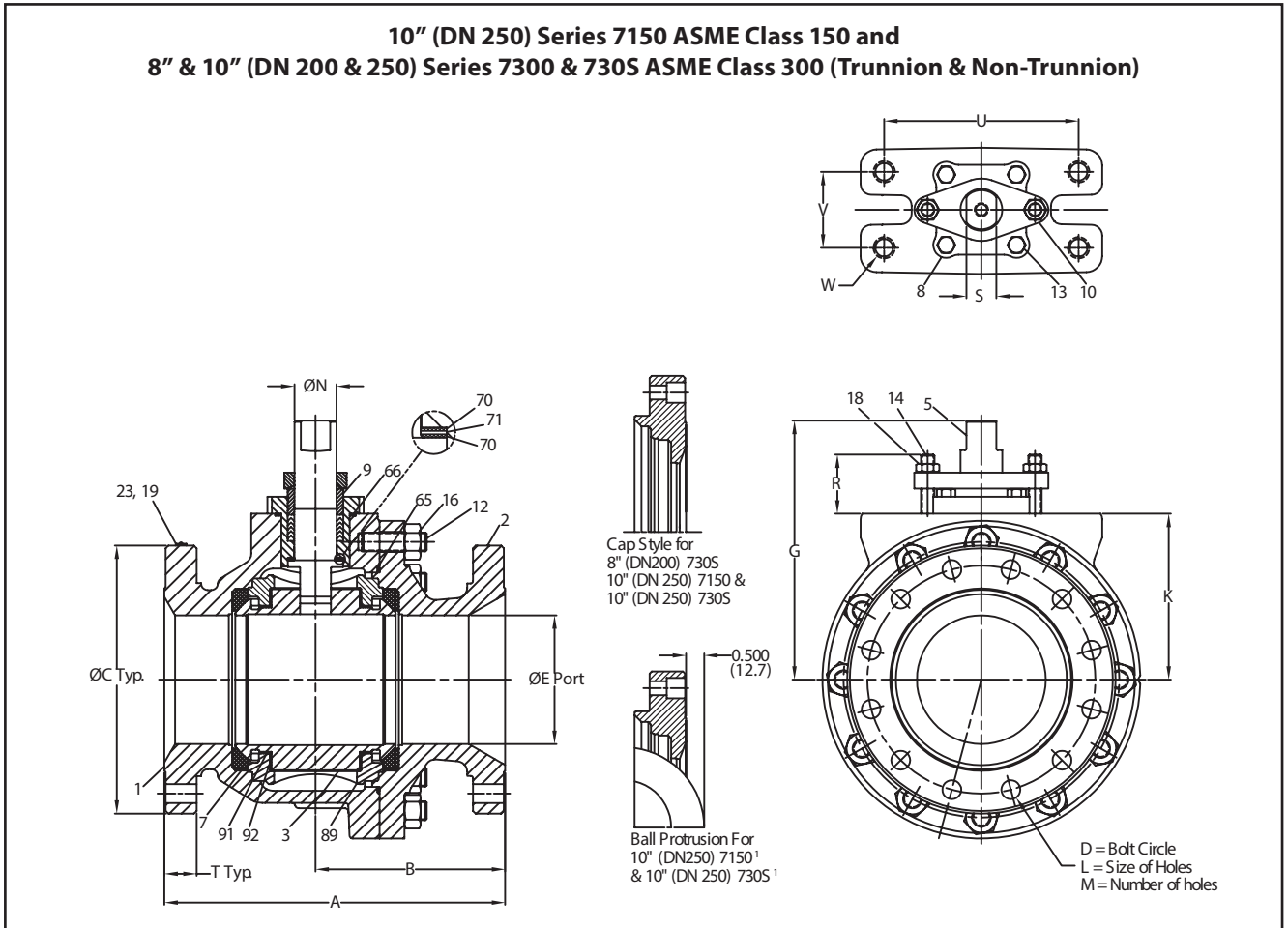
Valve Size DN	Series 7150 Emission-Pak ASME Class 150 Approximate Dimensions - mm														ISO Pattern	Weight kg
	A	B	C	D	E	F	H	L	M	N	P	R	S	T		
200	292	162	343	298	6	289	368	M12	125	22	8	41	28	28	F12	128

BILLS OF MATERIALS AND PARTS LIST					
Fire-Tite 8" (DN 200) Standard Port Series 7150 Valves					
Part No.	Part Name	Body Material			
		Carbon Steel (22)	316 Stainless Steel (36)	Alloy 20 (35)	Monel (71)
1	Body	Carbon Steel ASTM A216 Type WCB	316 Stainless Steel ASTM A351 Type CF8M	Alloy 20 ASTM A351 Type CN7M	Monel ASTM A494 M35-1
2	Body Cap	Carbon Steel ASTM A216 Type WCB	316 Stainless Steel ASTM A351 Type CF8M	Alloy 20 ASTM A351 Type CN7M	Monel ASTM A494 M35-1
3	Ball	316 Stainless Steel, Monel, Hastelloy C		Alloy 20	Monel, Hastelloy C as specified
4	Stem	316 Stainless Steel, Monel, Hastelloy C		Alloy 20	Monel, Hastelloy C as specified
5	Seat	PTFE, Xtreme, PFA			
6	Body Seal	Spiral Wound Graphite/316 Stainless Steel		Spiral Wound Graphite/Alloy 20	Spiral Wound Graphite/Monel
7	Secondary Stem Seal	Graphite			
8	Stem Seal	PTFE (w/ PTFE seats), TFM (w/ Xtreme & PFA seats)			
13	Thrust Bearing	PTFE, Filled PTFE			
20	Compression Plate	316 Stainless Steel			Monel
22	Identification Tag	Stainless Steel			
23	Pop Rivet	Stainless Steel			
29	Bonnet Stud	ASTM A193 GR. B8, B8C, B8T or B8M, Monel			
30	Bonnet Stud Nut	ASTM A194 GR. 8B, 8CB, 8MB, 8TB, 8FB, Monel			
31	Disc Springs	Inconel			
32	Body Stud	ASTM A193 GR. B8, B8C, B8T or B8M, Monel			
33	Body Stud Nut	ASTM A194 GR. 8B, 8CB, 8MB, 8TB, 8FB, Monel			
70	Top Grounding Spring	Stainless Steel			
71	Bottom Grounding Spring	Inconel			
72	Retaining Ring	Stainless Steel			

BILLS OF MATERIALS AND PARTS LIST					
Non Fire-Tite 8" (DN 200) Standard Port Series 7150 Valves					
Part No.	Part Name	Body Material			
		Carbon Steel (22)	316 Stainless Steel (36)	Alloy 20 (35)	Monel (71)
1	Body	Carbon Steel ASTM A216 Type WCB	316 Stainless Steel ASTM A351 Type CF8M	Alloy 20 ASTM A351 Type CN7M	Monel ASTM A494 M35-1
2	Body Cap	Carbon Steel ASTM A216 Type WCB	316 Stainless Steel ASTM A351 Type CF8M	Alloy 20 ASTM A351 Type CN7M	Monel ASTM A494 M35-1
3	Ball	316 Stainless Steel, Monel, Hastelloy C		Alloy 20	Monel, Hastelloy C as specified
4	Stem	316 Stainless Steel, Monel, Hastelloy C		Alloy 20	Monel, Hastelloy C as specified
5	Seat	PTFE, Xtreme, PFA			
6	Body Seal	Spiral Wound PTFE/316 Stainless Steel	Spiral Wound PTFE/Alloy 20	Spiral Wound PTFE/Monel	
8	Stem Seal	PTFE (w/ PTFE seats), TFM (w/ Xtreme & PFA seats)			
13	Thrust Bearing	PTFE, Filled PTFE			
20	Compression Plate	316 Stainless Steel			Monel
22	Identification Tag	Stainless Steel			
23	Pop Rivet	Stainless Steel			
29	Bonnet Stud	ASTM A193 GR. B8, B8C, B8T or B8M, Monel			
30	Bonnet Stud Nut	ASTM A194 GR. 8B, 8CB, 8MB, 8TB, 8FB, Monel			
31	Disc Springs	Inconel			
32	Body Stud	ASTM A193 GR. B8, B8C, B8T or B8M, Monel			
33	Body Stud Nut	ASTM A194 GR. 8B, 8CB, 8MB, 8TB, 8FB, Monel			
70	Top Grounding Spring	Stainless Steel			
71	Bottom Grounding Spring	Inconel			
72	Retaining Ring	Stainless Steel			

DIMENSIONS

**10" (DN 250) Series 7150 ASME Class 150 and
8" & 10" (DN 200 & 250) Series 7300 & 730S ASME Class 300 (Trunnion & Non-Trunnion)**



Valve Size inches	Series 7150 ASME Class 150 Approximate Dimensions – inches																	Weight lb
	A	B	C	D	E	G	K	L**	M	N	R	S	T	U	V	W	X	
10	13.00	5.85	16.00	14.25	8.00	15.60	10.22	1.00	12	2.54	2.88	1.82	1.19	9.06	3.54	1-8	N/A	465

Valve Size DN	Series 7150 ASME Class 150 Approximate Dimensions – mm																	Weight kg
	A	B	C	D	E	G	K	L**	M	N	R	S	T	U	V	W*	X	
250	330	149	406	362	203	396	260	25	12	65	73	46	30	230	90	1-8	N/A	211

Valve Size inches	Series 7300 & 730S ASME Class 300 Approximate Dimensions – inches																	Weight lb			
	7300 A	730S A	7300 B	730S B	C	D	E	G	K	L**	M	N	R	S	T	U	V	W	X	7300	730S
8	16.50	11.50	10.12	5.12	15.00	13.00	6.00	12.07	7.74	1.00	12	1.95	2.76	1.39	1.68	9.06	3.54	1-8	N/A	340	327
10	18.00	13.00	10.85	5.85	17.50	15.25	8.00	15.60	10.22	1.13	16	2.54	2.88	1.82	1.88	9.06	3.54	1-8	N/A	695	576

Valve Size DN	Series 7300 & 730S ASME Class 300 Approximate Dimensions – mm																	Weight kg			
	7300 A	730S A	7300 B	730S B	C	D	E	G	K	L**	M	N	R	S	T	U	V	W*	X	7300	730S
200	419	282	257	130	381	330	152	307	147	25	12	50	70	35	43	230	90	1-8	N/A	154	148
250	457	330	276	149	445	387	203	396	260	29	16	65	73	46	48	230	90	1-8	N/A	315	261

* Screw-thread dimensions are in inches.

** Holes in the body cap are threaded: 8" (DN 200) 730S (7/8-9 x 1.25 deep), 10" (DN 250) 7150 (7/8-9 x 1.13 deep), 10" (DN 250) 730S (1-8 x 1.38 deep)

1 The ball only protrudes from the flange face (in the closed position) on the 10" (DN 250) 7150 and 10" (DN 250) 730S. This is because they have the same F-F dimension and the same ball. Each of these also has the special insert with tapped pipe flange bolt holes.

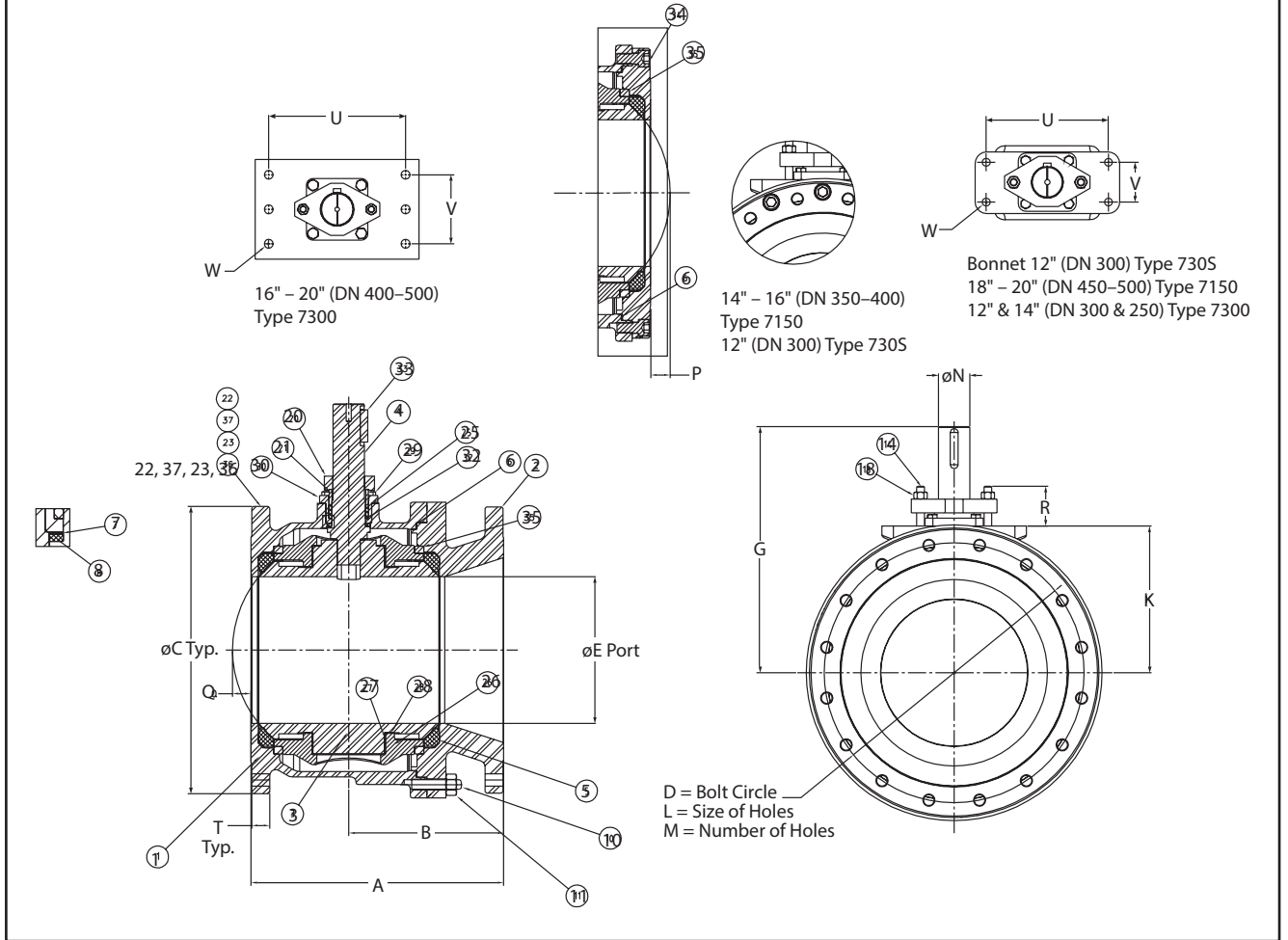
BILLS OF MATERIALS AND PARTS LIST			
10" (DN 250) Series 7150, 8" & 10" (DN 200 & 250) Series 7300 & 730S			
Part No.	Part Name	Body Material	
		Carbon Steel (22) All Series	316 Stainless Steel (36) All Series
1	Body	Carbon steel ASTM A216 Gr WCB	316 Stainless steel ASTM A351 Gr CF8M
2	Body Cap	Carbon steel ASTM A216 Gr WCB	316 Stainless steel ASTM A351 Gr CF8M
3	Ball	316 Stainless steel, Alloy 20, Monel ¹ , Hastelloy C ¹ - as specified	
5	Stem	316 Stainless steel, Monel ¹ , Hastelloy C ¹ , 17-4 PH - as specified	
7	Seat	Xtreme, PTFE - as specified	
8	Stem Retainer	Carbon steel ASTM A216 Gr WCB	Stainless steel ASTM A351 Gr CF8M
9	Gland Follower	Carbon Steel, Stainless steel, Monel ¹	
10	Compression Plate ¹	Stainless steel, Monel ¹	
12	Body Stud	ASTM A193 Gr B7; Gr B7M; Gr B8, B8C, B8T or B8M	
13	Stem Retainer Bolt	ASTM A193 Gr B7; Gr B7M; Gr B8, B8C, B8T or B8M	
14	Stud	ASTM A193 Gr B7; Gr B7M; Gr B8, B8C, B8T or B8M	
16	Nut	ASTM A194 Gr 2H; Gr 2HM; Gr 8B, 8CB, 8MB, 8TB, 8FB	
18	Nut	ASTM A194 Gr 2H; Gr 2HM; Gr 8B, 8CB, 8MB, 8TB, 8FB	
19	Identification Tag	Stainless steel	
23	Rivet	Stainless steel	
65	Body Gasket ¹	Spiral Wound PTFE / 316 Stainless steel ¹	
66	Stem Retainer Seal ¹	Spiral Wound PTFE / 316 Stainless steel ¹	
69	Packing	PTFE, molecularly enhanced PTFE (Xtreme-seated valves)	
70	Stem Bearing	Filled PTFE	
71	Secondary Stem Seal	Graphite	
89	Trunnion ²	Carbon Steel	Stainless steel
91	Bearing Spacer ²	Filled PTFE	
92	Trunnion Bearing ²	316 Stainless steel	

Note 1: Compression plate, body gasket, stem retainer gasket, and gland follower are Monel for valves with Monel or Hastelloy C trim.

Note 2: Parts 89, 91 and 92 are removed from valves without trunnions.

DIMENSIONS

12" – 20" (DN 300 – 500) Series 7150 ASME Class 150 and Series 7300 ASME Class 300 and 12" (DN 300) Series 730S ASME Class 300 (Trunnion)



Valve Size inches	Series 7150 ASME Class 150 Approximate Dimensions - inches															Weight lb		
	A	B	C	D	E	G	K	L**	M	N	P	Q	R	T	U		V	W
12	14.00	7.13	19.00	17.00	10.00	17.45	10.25	1.00	12	2.13	0.84	1.00	2.5	1.19	8.00	3.25	1/2-13	620
14	15.00	6.75	21.00	18.75	10.00	17.50	10.25	1.13	12	2.13	-	1.18	2.5	1.31	8.00	3.25	1/2-13	850
16	16.00	8.00	23.50	21.25	12.00	20.19	12.00	1.13	16	2.56	1.50	1.50	3.25	1.38	10.00	3.25	3/4-10	1220
18	34.00	22.00	25.00	22.75	13.25	24.38	13.75	1.25	16	3.00	-	-	3.25	1.5	11.13	5.30	3/4-10	1665
20	36.00	22.75	27.50	25.00	15.25	25.88	15.25	1.25	20	3.00	-	-	3.25	1.62	11.13	5.30	3/4-10	2600

Valve Size DN	Series 7150 ASME Class 150 Approximate Dimensions - mm															Weight kg		
	A	B	C	D	E	G	K	L**	M	N	P	Q	R	T	U		V	W*
300	356	181	483	432	254	443	260	25	12	54	21	25	64	30	203	83	1/2-13	281
350	381	171	533	476	254	445	260	29*	12	54	-	30	64	33	203	83	1/2-13	386
400	406	203	597	540	305	513	305	29*	16	65	38	38	83	35	254	83	3/4-10	553
450	864	559	635	578	337	619	349	32	16	76	-	-	83	38	283	135	3/4-10	755
500	914	578	699	635	387	657	387	32	20	76	-	-	83	41	283	135	3/4-10	1179

* Screw-thread dimensions are in inches

** Holes in the body cap are threaded: 12" (DN 300) 730S (1-8 x 1.44 deep), 14" (DN 350) 7150 (1-8 x 1.31 deep), 16" (DN 400) 7150 (1-1/8 x 1.69 deep)

Valve Size inches	Series 730S & 7300 ASME Class 300 Approximate Dimensions – inches																			Weight lb	
	730S A	7300 [†] A	730S B	7300 [†] B	C	D	E	G	K	L**	M	N	P	Q	R	T	U	V	W	730S	7300
12	14.00	–	6.88	–	20.50	17.75	10.00	21.76	11.13	1.25	16	3.00	1.05	–	3.13	1.94	11.13	5.30	1/2-13	740	–
12	–	19.75	–	12.63	20.50	17.75	10.00	21.76	11.13	1.25	16	3.00	–	0.71	3.13	1.94	11.13	5.30	1/2-13	–	970
14	–	22.50	–	13.00	23.00	20.25	10.00	21.76	11.13	1.25	20	3.00	–	–	3.13	2.06	11.13	5.30	1/2-13	–	1130
16	–	24.00	–	14.00	25.50	22.50	12.00	23.51	12.63	1.38	20	3.50	–	–	4	2.19	13.00	7.00	3/4-10	–	1700
18	–	36.00	–	20.81	28.00	24.75	13.25	24.94	14.00	1.38	24	3.50	–	–	4	2.31	13.00	7.00	3/4-10	–	2000
20	–	28.00	–	16.00	30.50	27.00	15.25	26.12	15.25	1.38	24	3.50	–	–	4	2.44	13.00	7.00	3/4-10	–	3000

Valve Size DN	Series 730S & 7300 ASME Class 300 Approximate Dimensions – mm																			Weight kg	
	730S A	7300 [†] A	730S B	7300 [†] B	C	D	E	G	K	L**	M	N	P	Q	R	T	U	V	W*	730S	7300
300	356	–	175	–	521	451	254	553	283	32	16	76	25	–	80	49	283	135	1/2-13	336	–
300	–	502	–	321	521	451	254	553	283	32	16	76	–	18	80	49	283	135	1/2-13	–	417
350	–	572	–	330	584	514	254	553	283	32	20	76	–	–	80	52	283	135	1/2-13	–	513
400	–	610	–	356	648	572	305	597	321	35	20	89	–	–	102	56	330	178	3/4-10	–	771
450	–	914	–	529	711	623	337	633	356	35	24	89	–	–	102	59	330	178	3/4-10	–	907
500	–	711	–	406	775	686	387	663	387	35	24	89	–	–	102	62	330	178	3/4-10	–	1361

* Screw-thread dimensions are in inches.

** Holes in the body cap are threaded: 12" (DN 300) 730S (1-8 x 1.44 deep), 14" (DN 350) 7150 (1-8 x 1.31 deep), 16" (DN 400) 7150 (1-1/8-8 x 1.69 deep).

† 18-inch (DN 450) valve is designated 73LO.

BILLS OF MATERIALS AND PARTS LIST			
12" – 20" (DN 300 – 500) Series 7150, 12" – 20" (DN 300 – 500) Series 7300, 18" (DN 450) Series 73LO, and 12" (DN 300) Series 730S (Trunnion)			
Part No.	Part Name	Body Material	
		Carbon Steel (22) All Series	316 Stainless Steel (36) All Series
1	Body	Carbon steel ASTM A216 Type WCB	316 Stainless steel ASTM A351 Type CF8M
2	Body Cap	Carbon steel ASTM A216 Type WCB	316 Stainless steel - ASTM A351 Type CF8M
3	Ball	316 Stainless steel, Alloy 20, Monel ¹ , Hastelloy C ¹ - as specified	
4	Stem	Alloy 20, 316 Stainless steel, 17-4PH Stainless steel, Monel ¹ , Hastelloy C ¹ - as specified	
5	Seat	PTFE, filled PTFE, - as specified	
6	Body Seal	Spiral-wound PTFE/316 Stainless steel ¹	
7	Secondary Stem Seal	Graphite	
8	Stem Bearing	Filled PTFE	
10	Body Stud	ASTM A193 Gr. B7; Gr. B7M; Gr. B8, B8C, B8T or B8M	
11	Nut	ASTM A194 Gr. 2H, 2HB, or Gr. 2HM; Gr. 8B, 8CB, 8MB, or 8TB	
14	Bonnet Studs	ASTM A193 Gr. B7; Gr. B7M; Gr. B8, B8C, B8T or B8M	
18	Bonnet Stud Nut	ASTM A194 Gr. 2H, 2HB, or Gr. 2HM; Gr. 8B, 8CB, 8MB, or 8TB	
20	Compression Plate	Carbon steel	Stainless steel, Monel ²
21	Compression Ring	Stainless steel	
22	Identification Tag	Stainless steel	
23	Drive Screw	Stainless steel	
25	Stem Retainer Seal	Graphite	
26	Trunnion Plate	Carbon steel, Type WCB	316 Stainless steel ¹ , Type CF8M
27	Trunnion Bearing	316 Stainless-steel-backed glass-filled PTFE	
28	Bearing Spacer	Filled PTFE	
29	Hex. Hd. Cap Screw	Carbon steel ASTM A193 Gr. B7 or B7M	
30	Stem Retainer	Carbon steel Type WCB	316 Stainless steel type CF8M
32	Upper Stem Seal	PTFE	
33	Key	Carbon steel	
34	Sc. Hd. Cap Screw ³	ASTM A193 Gr. B7; Gr. B7M; Gr. B8, B8C, or B8T	
35	Trunnion Ring	Carbon steel	Stainless steel
36	Tag: Trunnion Ball	Stainless steel	
37	Caution Tag ⁴	Stainless steel	

Note 1: When trim is Alloy 20 or Monel, body seal is PTFE Monel, when trim is Hastelloy C, seal is PTFE Hastelloy C.

Note 2: When trim is Alloy 20, Monel, or Hastelloy C, compression plate is Monel.

Note 3: For 14" & 16" (DN 350 & 400) 7150 and 12" (DN 300) 730S only.

Note 4: For 12", 14", & 16" (DN 300, 350, & 400) 7150 and 12" (DN 300) 730S & 7300 only.

VALVE TORQUE DATA

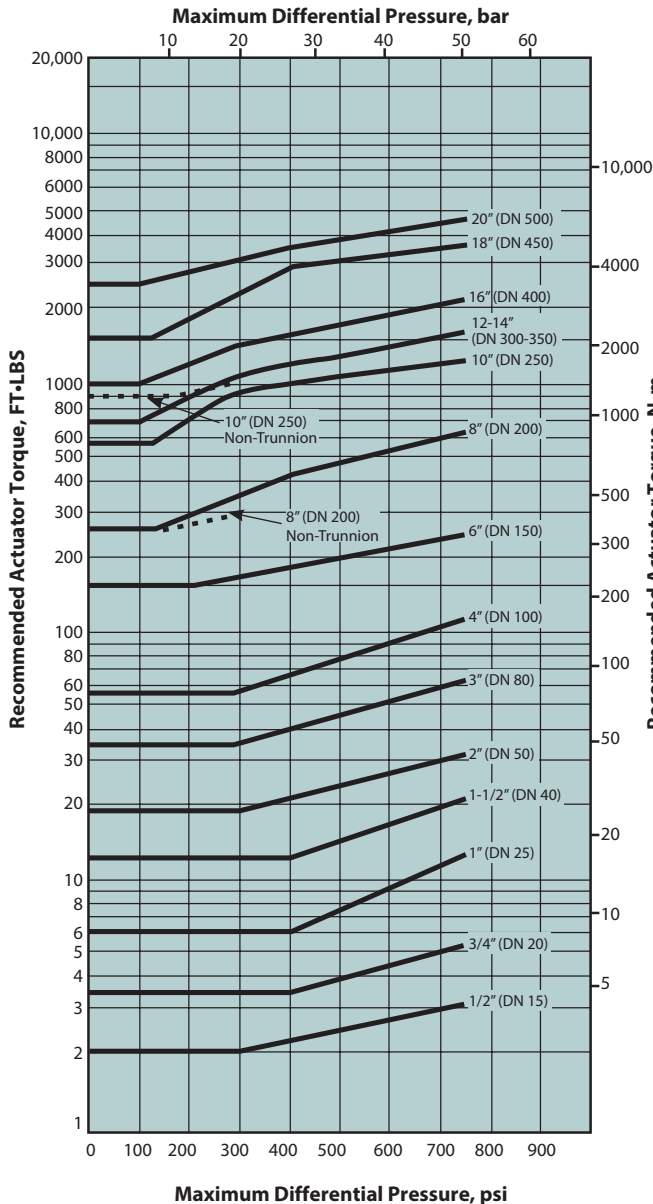
Use these torque charts as a guide for actuator selection. Additional requirements may be imposed by media characteristics, trim, and frequency of valve operation. For clean lubricating fluid service, required torque for PTFE (T), Xtreme (X) and filled PTFE (M) seated valves only may be reduced 20% when the valve is equipped with corrosion resistant trim. For difficult services such as slurries and semi-solids, and for oxygen, increase values by 50%. If in doubt, err on the side of safety by using a larger actuator than would normally be selected.

Torque output values and actuator selection tables for the different types of *Jamesbury* actuators are contained in the bulletins listed below.

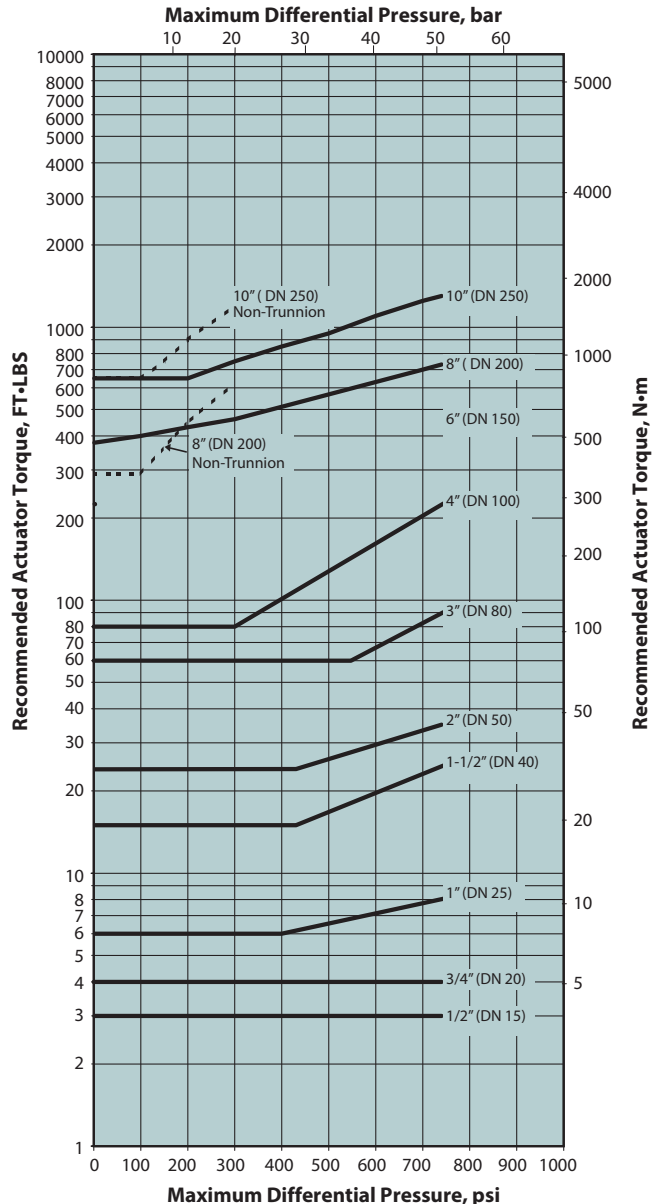
Manual Gear Actuators	A100-1
B-Series Piston Actuators	6B20
Quadra-Powr® X Spring Diaphragm	
Rotary Actuators	A110-4
Valv-Powr Series VPVL	A111-5
VPVL Stainless Steel	A111-4
V-Series Electric Actuators	A200-1
ADC Electric Actuators	A201-1
LC Series Electric Actuators	A202-1 & A203-1
ESR-Series Electric Actuators	A204-1
Q6-Series Electric Actuators	A205-1
QX-Series Electric Actuators	A207-1

ASME Class 150 and 300 Valve Torque Data

PTFE (T) Seated Valves



Xtreme (X) and TFM (Z) Seated Valves
1/2" – 10" (DN 15 – 250)

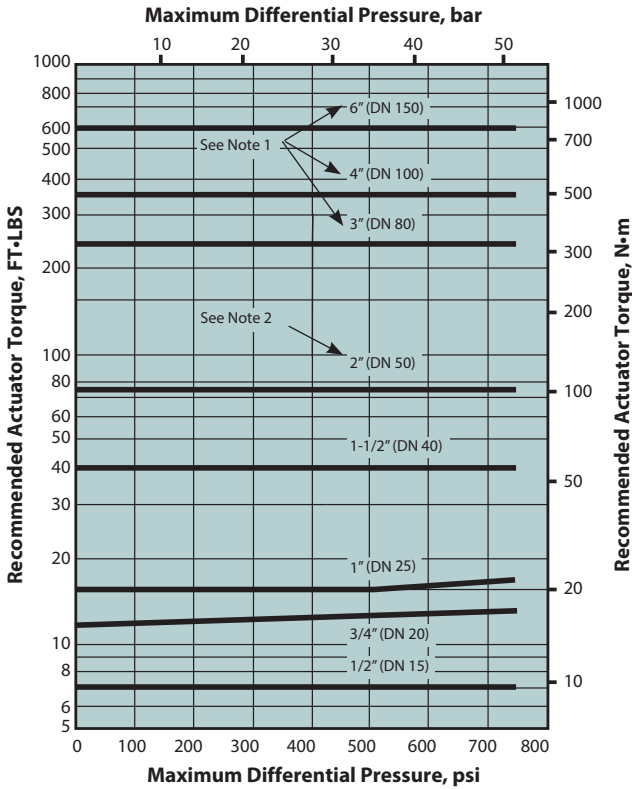


Note: See note on page 16.

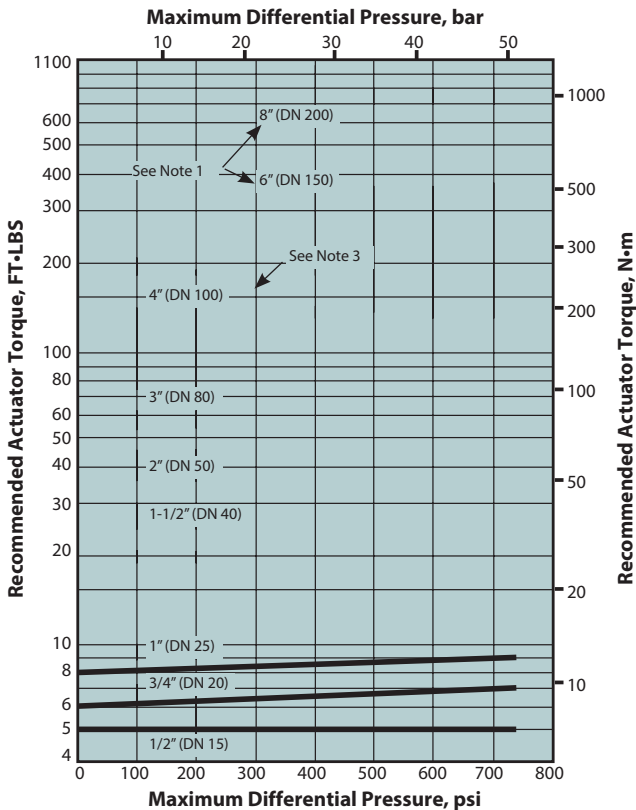
VALVE TORQUE DATA

ASME Class 150 and 300 Valves

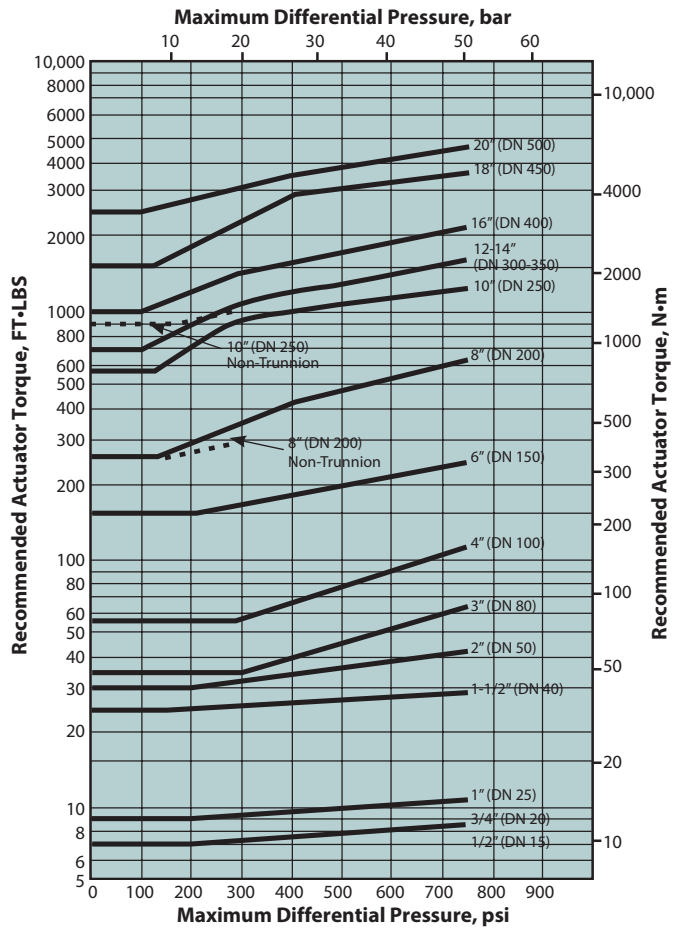
PEEK (L) Seated Valves 1/2" – 6" (DN 15 – 150)



PFA (B) Seated Valves 1/2" – 8" (DN 15 – 200)



UHMW Polyethylene (U) Seated Valves



Note 1: Actuator is required.

Note 2: Actuator is required for difficult service.

Note 3: Actuator is required for difficult service and pressure greater than 500 psi.

Note 4: Dashed line indicates Non-Trunnion and is rated to Class 150 only for seats.

EMISSION-PAK SERIES 7000 BALL VALVES

The *Emission-Pak* provides additional protection from emissions and stem seal leakage, and the ability to monitor leakage for critical applications.

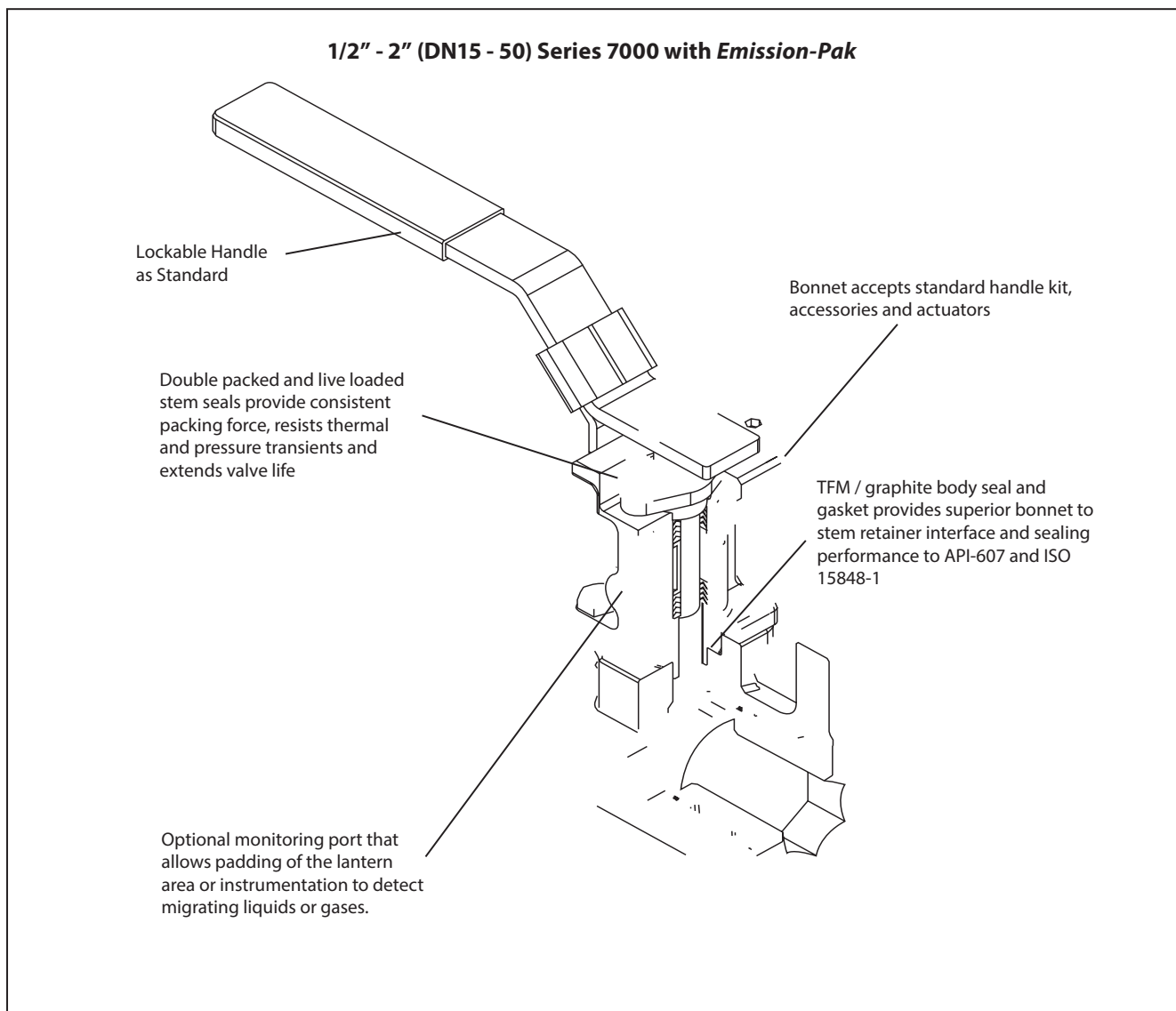
The *Emission-Pak* is an extended stem retainer containing two sets of stem seals which is mounted in the valve body. A special TFM and graphite gasket maintains a leak-free joint and assures that a *Fire-Tite* valve retains its fire tested rating.

AVAILABLE CONFIGURATIONS

Standard Bore Valves		
Valve	Size Range	ANSI Class
7150, 7180	1/2" – 8" (DN 15 – 200)	150
730S	1/2" – 6" (DN 15 – 150)	300
7300, 7380	1/2" – 6" (DN 15 – 150)	300

FEATURES

- ❑ Two separate live loaded v-ring stem seals
- ❑ One piece stem
- ❑ Two thrust bearings
- ❑ Optional stem seal monitoring port permits detection of primary stem seal wear or leakage
- ❑ ISO 15848 Class AH rated

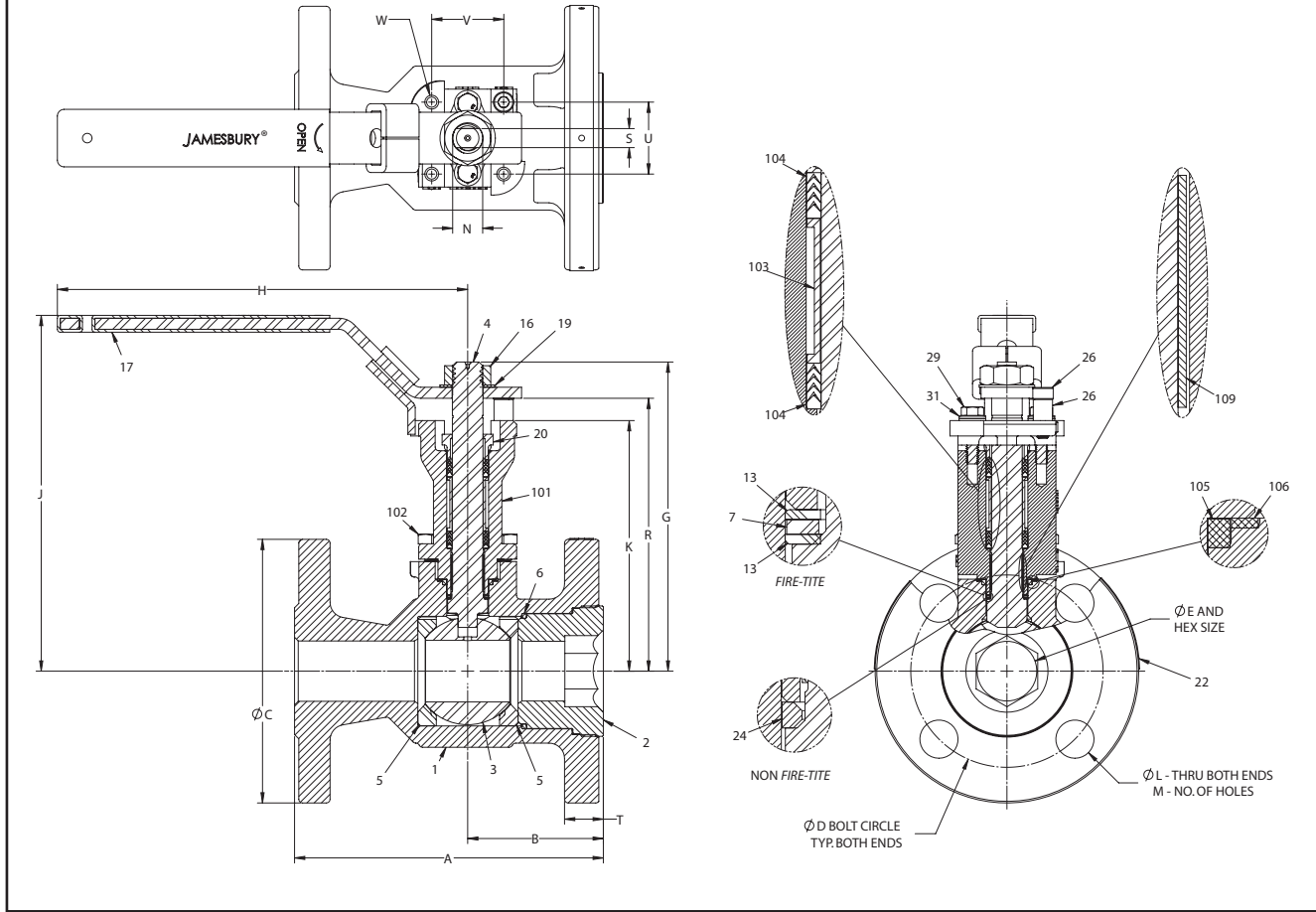


Qualification Test

Emission-Pak 1/2" – 2" (DN 15 – 50) 7000 series are qualified to ISO 15848-1 AH-CC3-SSA1-T200.

DIMENSIONS

1/2" – 2" (DN 15 – 50) Series 7150 ASME Class 150 and Series 7300 & 730S ASME Class 300 with Emission-Pak



Valve Size inches	Series 7150 Emission-Pak ASME All Approximate Dimensions - inches																		ISO Bonnet
	A	B	C	D	E	G	H	J	K	L	M	N	R	S	T	U	V	W	
1/2	4.25	1.94	3.50	2.38	0.50	3.61	5.00	5.17	3.08	0.62	4	0.31	3.30	0.18	0.50	1.002	1.002	M5	F03
3/4	4.63	2.00	3.88	2.75	0.69	3.77	5.00	5.32	3.24	0.62	4	0.31	3.46	0.18	0.50	1.002	1.002	M5	F03
1	5.00	2.19	4.25	3.12	0.88	4.85	6.50	5.69	3.96	0.62	4	0.50	4.30	0.31	0.56	1.168	1.168	M5	F04
1-1/2	6.50	2.65	5.00	3.88	1.25	5.81	8.00	7.34	4.63	0.62	4	0.62	5.10	0.37	0.69	1.392	1.392	M6	F05
2	7.00	2.64	6.00	4.75	1.50	5.99	8.00	7.52	4.81	0.75	4	0.62	5.28	0.37	0.75	1.392	1.392	M6	F05

Valve Size DN	Series 7150 Emission-Pak ASME All Approximate Dimensions - mm																		ISO Bonnet
	A	B	C	D	E	G	H	J	K	L	M	N	R	S	T	U	V	W	
15	108	49	89	60	13	92	127	131	78	16	4	8	84	5	13	25	25	M5	F03
20	118	51	99	70	18	96	127	135	82	16	4	8	88	5	13	25	25	M5	F03
25	127	56	108	79	22	123	165	145	101	16	4	13	109	8	14	30	30	M5	F04
40	165	67	127	99	32	148	203	186	118	16	4	16	130	9	18	35	35	M6	F05
50	178	67	152	121	38	152	203	191	122	19	4	16	134	9	19	35	35	M6	F05

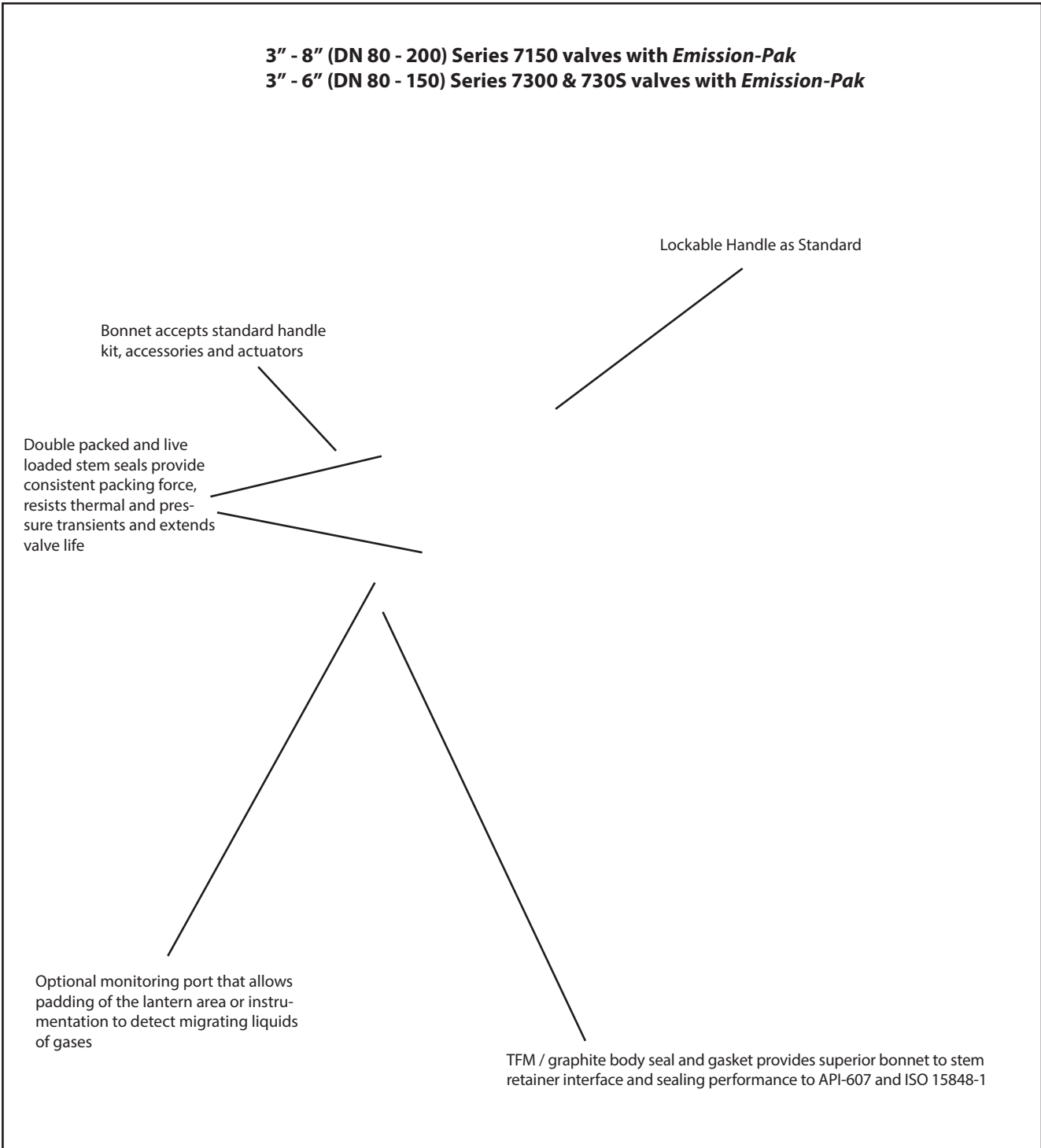
Valve Size inches	Series 7300 & 730S Emission-Pak ASME All Approximate Dimensions - inches																		ISO Bonnet	
	730S A	7300 A	B	C	D	E	G	H	J	K	L	M	N	R	S	T	U	V		W
1/2	4.25	5.50	1.94	3.75	2.62	0.50	3.61	5.00	5.17	3.08	0.62	4	0.31	3.30	0.18	0.56	1.002	1.002	M5	F03
3/4	4.63	6.00	2.00	4.62	3.25	0.69	3.77	5.00	5.32	3.24	0.75	4	0.31	3.46	0.18	0.62	1.002	1.002	M5	F03
1	5.00	6.50	2.19	4.88	3.50	0.88	4.85	6.50	5.69	3.96	0.75	4	0.50	4.30	0.31	0.69	1.168	1.168	M5	F04
1-1/2	6.50	7.50	2.65	6.12	4.50	1.25	5.81	8.00	7.34	4.63	0.88	4	0.62	5.10	0.37	0.81	1.392	1.392	M6	F05
2	7.00	8.50	2.64	6.50	5.00	1.50	5.99	8.00	7.52	4.81	0.75	4	0.62	5.28	0.37	0.88	1.392	1.392	M6	F05

Valve Size DN	Series 7300 & 730S Emission-Pak ASME All Approximate Dimensions - mm																		ISO Bonnet	
	730S A	7300 A	B	C	D	E	G	H	J	K	L	M	N	R	S	T	U	V		W
15	108	140	49	95	67	13	92	127	131	78	16	4	8	84	5	14	25	25	M5	F03
20	118	152	51	117	83	18	96	127	135	82	19	4	8	88	5	16	25	25	M5	F03
25	127	165	56	124	89	22	123	165	145	101	19	4	12	109	8	18	30	30	M5	F04
40	165	191	67	155	114	32	148	203	186	118	22	4	16	130	9	21	35	35	M6	F05
50	178	216	67	165	127	38	152	203	191	122	22	8	16	134	9	22	35	35	M6	F05

BILLS OF MATERIALS AND PARTS LIST					
Fire- Tite 1/2" – 2" (DN 15 – 50) Standard Port Series 7000 Valves with Emission-Pak					
Part No.	Part Name	Body Material			
		Carbon Steel (22)	316 Stainless Steel (36)	Alloy 20 (35)	Monel (71)
1	Body	Carbon Steel ASTM A216 Type WCB	316 Stainless Steel ASTM A351 Type CF8M	Alloy 20 ASTM A351 Type CN7M	Monel ASTM A494 M35-1
2	Insert	Carbon Steel ASTM A216 Type WCB	316 Stainless Steel ASTM A351 Type CF8M	Alloy 20 ASTM A351 Type CN7M	Monel ASTM A494 M35-1
3	Ball	316 Stainless Steel, Monel, Hastelloy C		Alloy 20	Monel, Hastelloy C as specified
4	Stem	316 Stainless Steel, Monel, Hastelloy C		Alloy 20	Monel, Hastelloy C as specified
5	Seat	PTFE, Xtreme, PFA			
6	Body Seal	TFM			
7	Secondary Stem Seal	Graphite			
13	Stem Bearing	PTFE, Filled PTFE			
16	Hex Nut	Carbon Steel (zinc plated)			
17	Handle	Carbon Steel (zinc plated)	300 Series Stainless Steel		
19	Lock Washer	Carbon Steel (zinc plated)	300 Series Stainless Steel		
22	Identification Tag	Stainless Steel			
23	Pop Rivet	Stainless Steel			
20	Compression Plate	316 Stainless Steel	300 Series Stainless Steel		
25	Socket Cap Screw	300 Stainless Steel			Monel
26	Handle Stop Screw	300 Stainless Steel			
29	Hex Cap Screw	300 Stainless Steel (Monel if Chlorine or NACE)			Monel
31	Disc Springs	Inconel			
101	Emission-Pak Housing	Carbon Steel ASTM A216 Type WCB	316 Stainless Steel ASTM A351 Type CF8M	Alloy 20 ASTM A351 Type CN7M	Monel ASTM A494 M35-1
102	Hex Head Cap Screw	ASTM A193 GR. B7, ASTM A193 GR. B8, B8C, B8T or B8M, Monel			
103	Lantern Ring	316 Stainless Steel, Monel, Alloy 20			
104	Double Stem Seals	TFM			
105	Emission-Pak Body Seal	TFM			
106	Emission-Pak Body Gasket	Graphite			
107	Pipe Plug	Plastic			
109	Bearing Strip	PTFE			
112	Warning Tag	Polyethylene			

BILLS OF MATERIALS AND PARTS LIST					
Non Fire- Tite 1/2" – 2" (DN 15 – 50) Standard Port Series 7000 Valves with <i>Emission- Pak</i>					
Part No.	Part Name	Body Material			
		Carbon Steel (22)	316 Stainless Steel (36)	Alloy 20 (35)	Monel (71)
1	Body	Carbon Steel ASTM A216 Type WCB	316 Stainless Steel ASTM A351 Type CF8M	Alloy 20 ASTM A351 Type CN7M	Monel ASTM A494 M35-1
2	Insert	Carbon Steel ASTM A216 Type WCB	316 Stainless Steel ASTM A351 Type CF8M	Alloy 20 ASTM A351 Type CN7M	Monel ASTM A494 M35-1
3	Ball	316 Stainless Steel, Monel, Hastelloy C		Alloy 20	Monel, Hastelloy C as specified
4	Stem	316 Stainless Steel, Monel, Hastelloy C		Alloy 20	Monel, Hastelloy C as specified
5	Seat	PTFE, <i>Xtreme</i> , PFA, PEEK' & UHMWPE			
6	Body Seal	TFM (w/ PTFE, <i>Xtreme</i> , PFA seats), UHMWPE (w/ UHMWPE seats), Graphite (w/ PEEK seats)			
8	Primary Stem Seal	PTFE (w/ PTFE seats), TFM (w/ <i>Xtreme</i> & PFA seats), UHMWPE (w/ UHMWPE seats), Graphite (w/ PEEK seats)			
10	Stem Guide	PEEK (PEEK seated valves)			
16	Hex Nut	Carbon Steel (zinc plated)	300 Series Stainless Steel		
17	Handle	Carbon Steel (zinc plated)	300 Series Stainless Steel		
19	Lock Washer	Carbon Steel (zinc plated)	300 Series Stainless Steel		
20	Compression Plate	316 Stainless Steel			Monel
22	Identification Tag	Stainless Steel			
23	Pop Rivet	Stainless Steel			
24	Stem Bearing	PTFE (w/ PTFE seats), Filled PTFE (w/ <i>Xtreme</i> & PFA seats), PEEK (w/ PEEK seats), UHMWPE (w/ UHMWPE seats)			
25	Socket Cap Screw	300 Stainless Steel			
26	Handle Stop Screw	300 Stainless Steel			
29	Hex Cap Screw	300 Stainless Steel (Monel if Chlorine or NACE)			Monel
31	Disc Springs	Inconel			
101	<i>Emission-Pak</i> Housing	Carbon Steel ASTM A216 Type WCB	316 Stainless Steel ASTM A351 Type CF8M	Alloy 20 ASTM A351 Type CN7M	Monel ASTM A494 M35-1
102	Hex Head Cap Screw	ASTM A193 GR. B7, ASTM A193 GR. B8, B8C, B8T or B8M, Monel			
103	Lantern Ring	316 Stainless Steel, Monel, Alloy 20			
104	Double Stem Seals	TFM (w/ <i>Xtreme</i> , PTFE & PFA seats), UHMWPE (w/ UHMWPE seats), Graphite (w/ PEEK seats)			
105	<i>Emission-Pak</i> Body Seal	TFM, UHMWPE (w/ UHMWPE seats)			
106	<i>Emission-Pak</i> Body Gasket	Graphite			
107	Pipe Plug	Plastic			
109	Bearing Strip	PTFE			
112	Warning Tag	Polyethylene			

Note 1: 17-4 PH stems required with PEEK seats

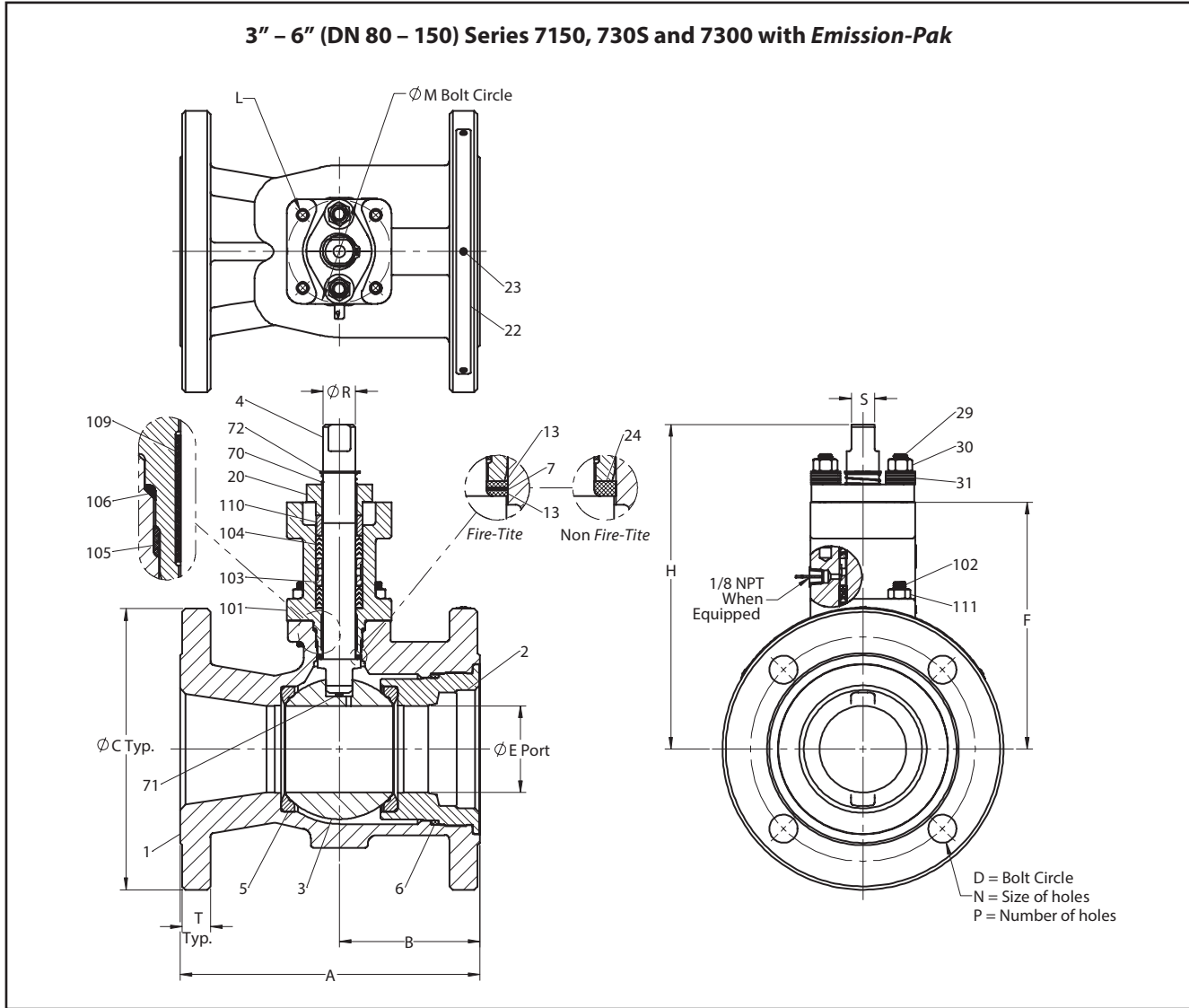


Qualification Test

3" – 8" (DN 80 – 200) 7150, 3" - 6" (DN 80 - 150) 7300 and 730S, series with *Emission-Pak* are qualified to ISO 15848-1 AH CO3-SSA3 T(200°C).

DIMENSIONS

3" – 6" (DN 80 – 150) Series 7150, 730S and 7300 with Emission-Pak



Valve Size inches	Series 7150 Emission-Pak ASME Class 150 Approximate Dimensions - inches														ISO Pattern	Weight lb
	A	B	C	D	E	F	H	L	M	N	P	R	S	T		
3	8.00	3.75	7.50	6.00	2.31	6.59	8.66	M8	2.76	0.75	4	0.86	0.62	0.75	F07	49
4	9.00	4.39	9.00	7.50	3.00	7.05	9.12	M8	2.76	0.75	8	0.86	0.62	0.94	F07	73
6	10.50	4.95	11.00	9.50	4.00	9.45	12.18	M10	4.02	0.88	8	1.11	0.81	1.00	F10	140

Valve Size DN	Series 7150 Emission-Pak ASME Class 150 Approximate Dimensions - mm														ISO Pattern	Weight kg
	A	B	C	D	E	F	H	L	M	N	P	R	S	T		
80	203	95	191	152	59	167	220	M8	70	19	4	22	16	19	F07	22
100	229	111	229	191	76	179	232	M8	70	19	8	22	16	24	F07	33
150	267	126	279	241	102	240	309	M10	102	22	8	28	21	25	F10	64

Valve Size inches	Series 7300 & 730S Emission-Pak ASME Class 300 Approximate Dimensions - inches														ISO Pattern	7300 Weight lb	730S Weight lb	
	7300 A	730S A	B	C	D	E	F	H	L	M	N	P	R	S				T
3	11.12	8.00	3.75	8.25	6.62	2.31	6.59	8.66	M8	2.76	0.88	8	0.86	0.62	1.12	F07	69	62
4	12.00	9.00	4.39	10.00	7.88	3.00	8.63	11.35	M10	4.11	0.88	8	1.11	0.81	1.25	F10	112	103
6	15.88	10.50	4.95	12.50	10.62	4.00	9.77	12.87	M12	4.92	0.88	12	1.61	1.12	1.44	F12	226	192

Valve Size DN	Series 7300 & 730S Emission-Pak ASME Class 300 Approximate Dimensions - mm														ISO Pattern	7300 Weight kg	730S Weight kg	
	7300 A	730S A	B	C	D	E	F	H	L	M	N	P	R	S				T
80	282	203	95	210	168	59	167	220	M8	70	22	8	22	16	28	F07	31	28
100	305	229	111	254	200	76	219	288	M10	104	22	8	28	21	32	F10	51	47
150	403	267	126	318	270	102	248	327	M12	125	22	12	41	28	37	F12	103	87

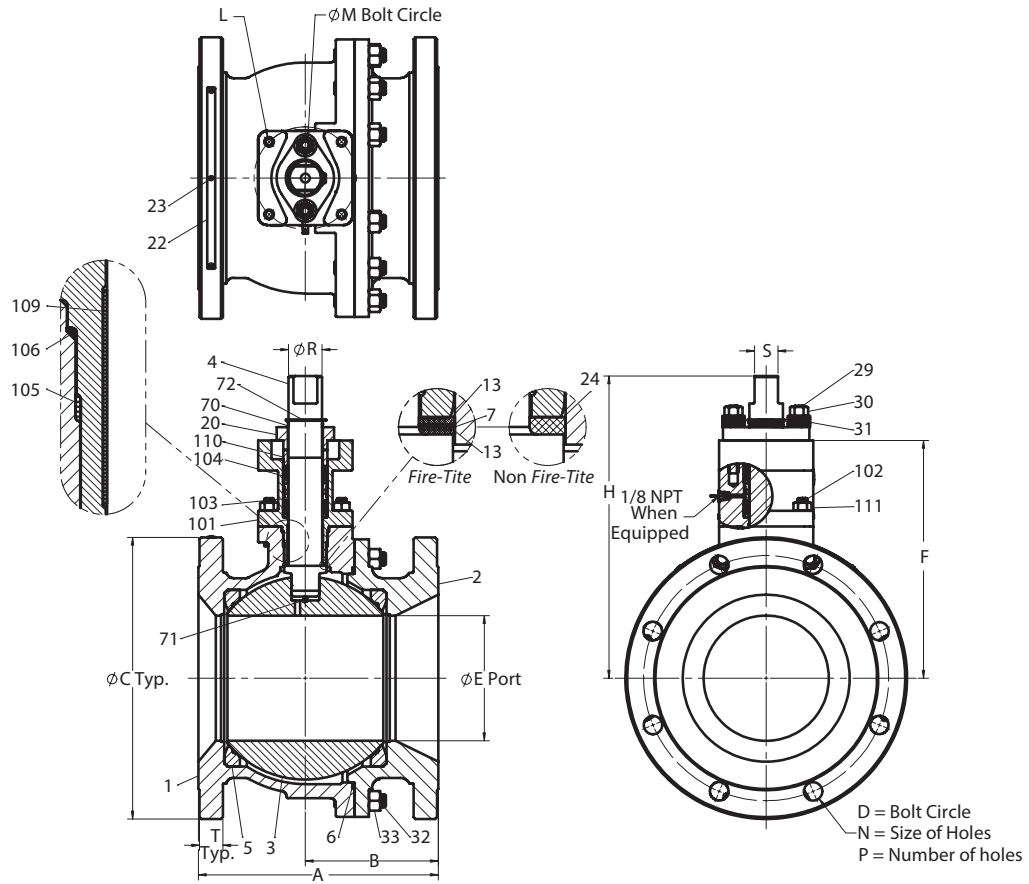
BILLS OF MATERIALS AND PARTS LIST					
Fire-Tite 3" – 6" (DN 80 – 150) Standard Port Series 7000 Valves with Emission-Pak					
Part No.	Part Name	Body Material			
		Carbon Steel (22)	316 Stainless Steel (36)	Alloy 20 (35)	Monel (71)
1	Body	Carbon Steel ASTM A216 Type WCB	316 Stainless Steel ASTM A351 Type CF8M	Alloy 20 ASTM A351 Type CN7M	Monel ASTM A494 M35-1
2	Insert	Carbon Steel ASTM A216 Type WCB	316 Stainless Steel ASTM A351 Type CF8M	Alloy 20 ASTM A351 Type CN7M	Monel ASTM A494 M35-1
3	Ball	316 Stainless Steel, Monel, Hastelloy C		Alloy 20	Monel, Hastelloy C as specified
4	Stem	316 Stainless Steel, Monel, Hastelloy C		Alloy 20	Monel, Hastelloy C as specified
5	Seat	PTFE, Xtreme, PFA			
6	Body Seal	TFM			
7	Secondary Stem Seal	Graphite			
13	Thrust Bearing	PTFE, Filled PTFE			
20	Compression Plate	316 Stainless Steel			Monel
22	Identification Tag	Stainless Steel			
23	Pop Rivet	Stainless Steel			
29	Bonnet Stud	ASTM A193 GR. B8, B8C, B8T or B8M, Monel			
30	Bonnet Stud Nut	ASTM A194 GR. 8B, 8CB, 8MB, 8TB, 8FB, Monel			
31	Disc Springs	Inconel			
70	Top Grounding Spring	Stainless Steel			
71	Bottom Grounding Spring	Inconel			
72	Retaining Ring	Stainless Steel			
101	Emission-Pak Stem Retainer	Carbon Steel ASTM A216 Type WCB	316 Stainless Steel ASTM A351 Type CF8M	Alloy 20 ASTM A351 Type CN7M	Monel ASTM A494 M35-1
102	Stud	ASTM A193 GR. B7, ASTM A193 GR. B8, B8C, B8T or B8M, Monel			
103	Spacer/Lantern Ring	316 Stainless Steel, Monel, Alloy 20			
104	Stem Seal	PTFE (w/ PTFE seats), TFM (w/ Xtreme & PFA seats)			
105	Inner Stem Retainer Seal	TFM			
106	Outer Stem Retainer Seal	Graphite			
107	Pipe Plug	Plastic			
109	Bearing Strip	PTFE			
110	Compression Ring	316 Stainless Steel, Monel			
111	Hex Nut	ASTM A194 GR. 2H, ASTM A194 GR. 8B, 8CB, 8MB, 8TB, 8FB, Monel			
112	Warning Tag	Polyethylene			

BILLS OF MATERIALS AND PARTS LIST					
Non Fire- Tite 3" – 6" (DN 80 – 150) Standard Port Series 7000 Valves with <i>Emission- Pak</i>					
Part No.	Part Name	Body Material			
		Carbon Steel (22)	316 Stainless Steel (36)	Alloy 20 (35)	Monel (71)
1	Body	Carbon Steel ASTM A216 Type WCB	316 Stainless Steel ASTM A351 Type CF8M	Alloy 20 ASTM A351 Type CN7M	Monel ASTM A494 M35-1
2	Insert	Carbon Steel ASTM A216 Type WCB	316 Stainless Steel ASTM A351 Type CF8M	Alloy 20 ASTM A351 Type CN7M	Monel ASTM A494 M35-1
3	Ball	316 Stainless Steel, Monel, Hastelloy C		Alloy 20	Monel, Hastelloy C as specified
4	Stem	316 Stainless Steel, Monel, Hastelloy C		Alloy 20	Monel, Hastelloy C as specified
5	Seat	PTFE, <i>Xtreme</i> , PFA, PEEK ¹ & UHMWPE			
6	Body Seal	TFM (w/ PTFE, <i>Xtreme</i> , PFA seats) , UHMWPE (w/ UHMWPE seats), Graphite (w/ PEEK seats)			
7	Secondary Stem Seal	Graphite			
13	Thrust Bearing	PTFE, Filled PTFE			
20	Compression Plate	316 Stainless Steel			Monel
22	Identification Tag	Stainless Steel			
23	Pop Rivet	Stainless Steel			
24	Thrust Bearing	PTFE (w/ PTFE seats), Filled PTFE (w/ <i>Xtreme</i> & PFA seats), PEEK (w/ PEEK seats), UHMWPE (w/ UHMWPE seats)			
29	Bonnet Stud	ASTM A193 GR. B8, B8C, B8T or B8M, Monel			
30	Bonnet Stud Nut	ASTM A194 GR. 8B, 8CB, 8MB, 8TB, 8FB, Monel			
31	Disc Springs	Inconel			
70	Top Grounding Spring	Stainless Steel			
71	Bottom Grounding Spring	Inconel			
72	Retaining Ring	Stainless Steel			
101	<i>Emission-Pak</i> Stem Retainer	Carbon Steel ASTM A216 Type WCB	316 Stainless Steel ASTM A351 Type CF8M	Alloy 20 ASTM A351 Type CN7M	Monel ASTM A494 M35-1
102	Stud	ASTM A193 GR. B7, ASTM A193 GR. B8, B8C, B8T or B8M, Monel			
103	Spacer/Lantern Ring	316 Stainless Steel, Monel, Alloy 20			
104	Stem Seal	PTFE (w/ PTFE seats), TFM (w/ <i>Xtreme</i> & PFA seats), UHMWPE (w/ UHMWPE seats), Graphite (w/ PEEK seats)			
105	Inner Stem Retainer Seal	TFM, PFA (w/ PFA Seats), UHMWPE (w/ UHMWPE seats)			
106	Outer Stem Retainer Seal	Graphite			
107	Pipe Plug	Plastic			
109	Bearing Strip	PTFE			
110	Compression Ring	316 Stainless Steel, Monel			
111	Hex Nut	ASTM A194 GR. 2H, ASTM A194 GR. 8B, 8CB, 8MB, 8TB, 8FB, Monel			
112	Warning Tag	Polyethylene			

Note 1: 17-4PH stem are required with PEEK seats

DIMENSIONS

8" (DN 200) Series 7150 ASME Class 150 with Emission-Pak (Non-Trunnion)



Valve Size inches	Series 7150 Emission-Pak ASME Class 150 Approximate Dimensions - inches														ISO Pattern	Weight lb
	A	B	C	D	E	F	H	L	M	N	P	R	S	T		
8	11.50	6.37	13.50	11.75	6.00	11.39	14.49	M12	4.92	0.88	8	1.61	1.12	1.12	F12	282

Valve Size DN	Series 7150 Emission-Pak ASME Class 150 Approximate Dimensions - mm														ISO Pattern	Weight kg
	A	B	C	D	E	F	H	L	M	N	P	R	S	T		
200	292	162	343	298	6	289	368	M12	125	22	8	41	28	28	F12	128

BILLS OF MATERIALS AND PARTS LIST					
Fire- Tite 8" (DN 200) Standard Port Series 7150 Valves with <i>Emission- Pak</i>					
Part No.	Part Name	Body Material			
		Carbon Steel (22)	316 Stainless Steel (36)	Alloy 20 (35)	Monel (71)
1	Body	Carbon Steel ASTM A216 Type WCB	316 Stainless Steel ASTM A351 Type CF8M	Alloy 20 ASTM A351 Type CN7M	Monel ASTM A494 M35-1
2	Body Cap	Carbon Steel ASTM A216 Type WCB	316 Stainless Steel ASTM A351 Type CF8M	Alloy 20 ASTM A351 Type CN7M	Monel ASTM A494 M35-1
3	Ball	316 Stainless Steel, Monel, Hastelloy C		Alloy 20	Monel, Hastelloy C as specified
4	Stem	316 Stainless Steel, Monel, Hastelloy C		Alloy 20	Monel, Hastelloy C as specified
5	Seat	PTFE, Xtreme, PFA			
6	Body Seal	Spiral Wound Graphite/316 Stainless Steel		Spiral Wound Graphite/ Alloy 20	Spiral Wound Graphite/ Monel
7	Secondary Stem Seal	Graphite			
13	Thrust Bearing	PTFE, Filled PTFE			
20	Compression Plate	316 Stainless Steel			Monel
22	Identification Tag	Stainless Steel			
23	Pop Rivet	Stainless Steel			
29	Bonnet Stud	ASTM A193 GR. B8, B8C, B8T or B8M, Monel			
30	Bonnet Stud Nut	ASTM A194 GR. 8B, 8CB, 8MB, 8TB, 8FB, Monel			
31	Disc Springs	Inconel			
32	Body Stud	ASTM A193 GR. B8, B8C, B8T or B8M, Monel			
33	Body Stud Nut	ASTM A194 GR. 8B, 8CB, 8MB, 8TB, 8FB, Monel			
70	Top Grounding Spring	Stainless Steel			
71	Bottom Grounding Spring	Inconel			
72	Retaining Ring	Stainless Steel			
101	<i>Emission-Pak</i> Stem Retainer	Carbon Steel ASTM A216 Type WCB	316 Stainless Steel ASTM A351 Type CF8M	Alloy 20 ASTM A351 Type CN7M	Monel ASTM A494 M35-1
102	Stud	ASTM A193 GR. B7, ASTM A193 GR. B8, B8C, B8T or B8M, Monel			
103	Spacer/Lantern Ring	316 Stainless Steel, Monel, Alloy 20			
104	Stem Seal	PTFE (w/ PTFE seats), TFM (w/ Xtreme & PFA seats)			
105	Inner Stem Retainer Seal	TFM			
106	Outer Stem Retainer Seal	Graphite			
107	Pipe Plug	Plastic			
109	Bearing Strip	PTFE			
110	Compression Ring	316 Stainless Steel, Monel			
111	Hex Nut	ASTM A194 GR. 2H, ASTM A194 GR. 8B, 8CB, 8MB, 8TB, 8FB, Monel			
112	Warning Tag	Polyethylene			

BILLS OF MATERIALS AND PARTS LIST					
Non Fire- Tite 8" (DN 200) Standard Port Series 7150 Valves with Emission- Pak					
Part No.	Part Name	Body Material			
		Carbon Steel (22)	316 Stainless Steel (36)	Alloy 20 (35)	Monel (71)
1	Body	Carbon Steel ASTM A216 Type WCB	316 Stainless Steel ASTM A351 Type CF8M	Alloy 20 ASTM A351 Type CN7M	Monel ASTM A494 M35-1
2	Body Cap	Carbon Steel ASTM A216 Type WCB	316 Stainless Steel ASTM A351 Type CF8M	Alloy 20 ASTM A351 Type CN7M	Monel ASTM A494 M35-1
3	Ball	316 Stainless Steel, Monel, Hastelloy C		Alloy 20	Monel, Hastelloy C as specified
4	Stem	316 Stainless Steel, Monel, Hastelloy C		Alloy 20	Monel, Hastelloy C as specified
5	Seat	PTFE, Xtreme, PFA			
6	Body Seal	Spiral Wound PTFE/316 Stainless Steel		Spiral Wound PTFE/ Alloy 20	Spiral Wound PTFE/ Monel
8	Stem Seal	PTFE (w/ PTFE seats), TFM (w/ Xtreme & PFA seats)			
13	Thrust Bearing	PTFE, Filled PTFE			
20	Compression Plate	316 Stainless Steel			Monel
22	Identification Tag	Stainless Steel			
23	Pop Rivet	Stainless Steel			
29	Bonnet Stud	ASTM A193 GR. B8, B8C, B8T or B8M, Monel			
30	Bonnet Stud Nut	ASTM A194 GR. 8B, 8CB, 8MB, 8TB, 8FB, Monel			
31	Disc Springs	Inconel			
32	Body Stud	ASTM A193 GR. B8, B8C, B8T or B8M, Monel			
33	Body Stud Nut	ASTM A194 GR. 8B, 8CB, 8MB, 8TB, 8FB, Monel			
70	Top Grounding Spring	Stainless Steel			
71	Bottom Grounding Spring	Inconel®			
72	Retaining Ring	Stainless Steel			
101	Emission-Pak Stem Retainer	Carbon Steel ASTM A216 Type WCB	316 Stainless Steel ASTM A351 Type CF8M	Alloy 20 ASTM A351 Type CN7M	Monel ASTM A494 M35-1
102	Stud	ASTM A193 GR. B7, ASTM A193 GR. B8, B8C, B8T or B8M, Monel			
103	Spacer/Lantern Ring	316 Stainless Steel, Monel, Alloy 20			
104	Stem Seal	PTFE (w/ PTFE seats), TFM (w/ Xtreme & PFA seats), UHMWPE (w/ UHMWPE seats), Graphite (w/ PEEK seats)			
105	Inner Stem Retainer Seal	TFM, PFA (w/ PFA Seats), UHMWPE (w/ UHMWPE seats)			
106	Outer Stem Retainer Seal	Graphite			
107	Pipe Plug	Plastic			
109	Bearing Strip	PTFE			
110	Compression Ring	316 Stainless Steel, Monel			
111	Hex Nut	ASTM A194 GR. 2H, ASTM A194 GR. 8B, 8CB, 8MB, 8TB, 8FB, Monel			
112	Warning Tag	Polyethylene			

EMISSION-PAK VALVE TORQUE DATA

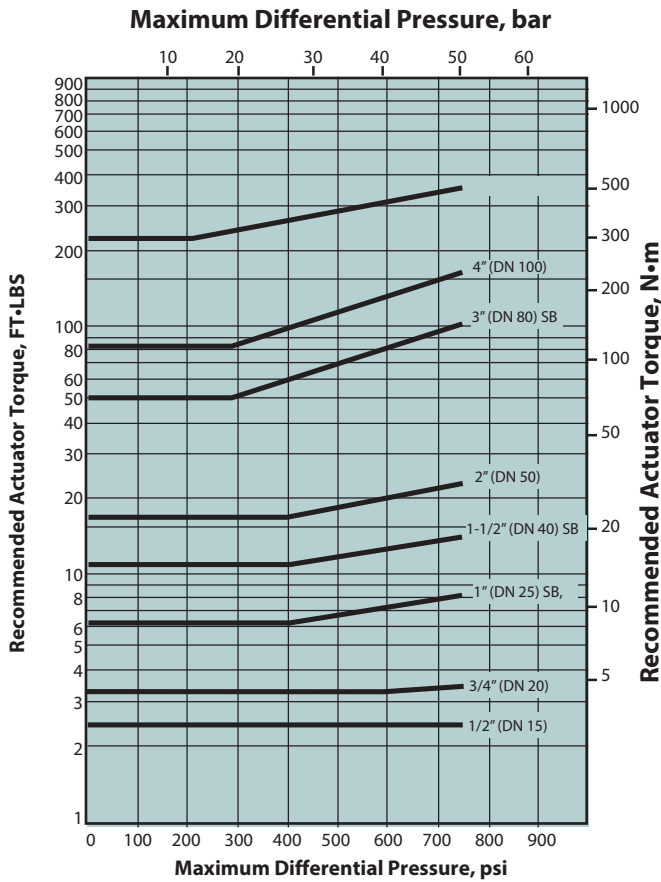
Use these torque charts as a guide for actuator selection. Additional requirements may be imposed by media characteristics, trim, and frequency of valve operation. For clean lubricating fluid service, required torque for PTFE (T) and Xtreme (X) seated valves only may be reduced 20% when the valve is equipped with corrosion resistant trim. For difficult services such as slurries and semi-solids, and for oxygen, increase values by 50%. If in doubt, err on the side of safety by using a larger actuator than would normally be selected.

Torque output values and actuator selection tables for the different types of *Jamesbury* actuators are contained in the bulletins listed below.

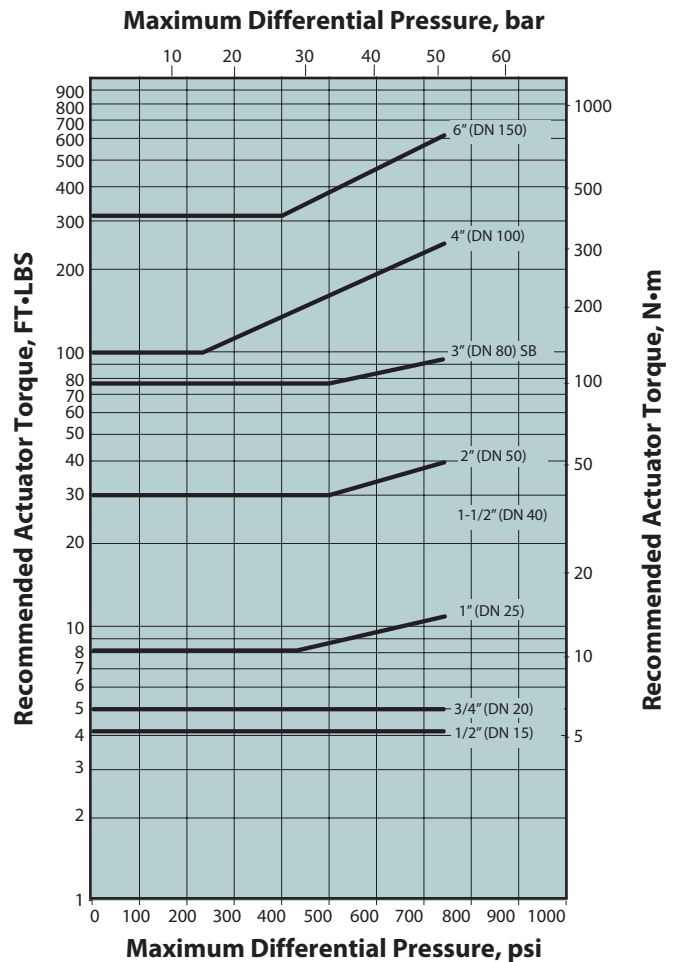
Manual Gear Actuators	A100-1
B-Series Piston Actuators	6B20
<i>Quadra-Powr</i> X Spring Diaphragm	
Rotary Actuators	A110-4
<i>Valv-Powr</i> Series VPVL	A111-3
VPVL Stainless Steel	A111-4
V-Series Electric Actuators	A200-1
ADC-Series Electric Actuators	A201-1
LC Series Electric Actuators	202-1 & A203-1
ESR-Series Electric Actuators	A204-1
Q6-Series Electric Actuators	A205-1
QX-Series Electric Actuators	A207-1

ANSI Class 150 and 300 Valve Torque Data

PTFE (T) Seated Valves



Xtreme (X) and TFM (Z) Seated Valves



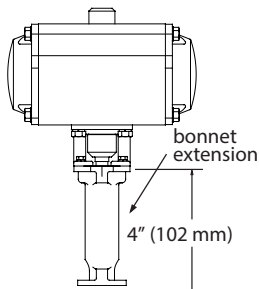
ACCESSORIES

Locking Devices

When safety measures are necessary, a reliable locking feature is standard to allow the valve to be padlocked in either the open or closed position.

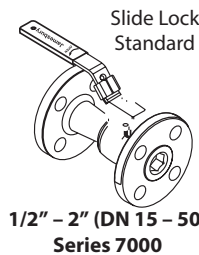
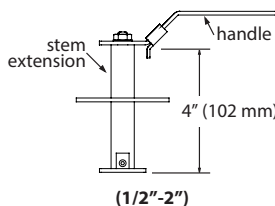
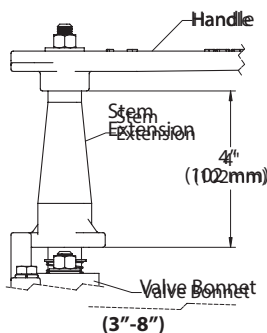
**Bonnet/Stem Extensions
SE-096, 097 & 098**

4" (102 mm) bonnet/stem extensions are available and are particularly useful for automated and manual products. Extensions can also be used to prevent interference between actuators and companion pipelines and equipment. They are ideal as extension that require locking lever or locking oval handle capability. Stainless steel construction is also available.



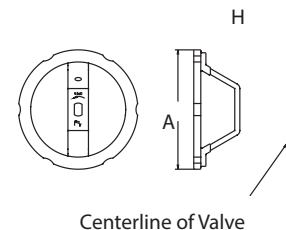
Stem Extensions

4" (102 mm) non-lockable stem extensions are available for manual valves. Extensions can also be used to prevent interference between companion pipelines and equipment. Compatible with all handle options. Stainless steel construction is also available.



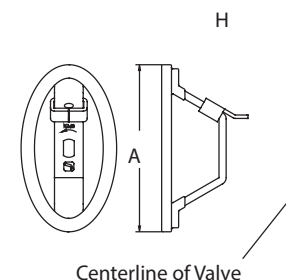
Round Handles

Series 7000 ball valves (1/2"-2") have optional round handles (non-lockable) available. To order handles separately, specify the part number shown in the accessories table below.



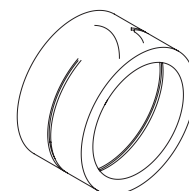
Oval handles with slide-lock

Optional oval handle (1/2" - 2") saves space and may be padlocked to retain the valve in the open or closed position. To order handles separately, specify the part number shown in the accessories table below.



Cavity Fillers

Cavity fillers are available in non Trunnion 7000 series standard bore valves. The fillers are PTFE or Xtreme and used for sanitary applications and in processes where cross contamination is a concern. Food processing, pharma-chemicals, cosmetics, paints, solvents, finishes and dyes are typical applications where fillers are employed.



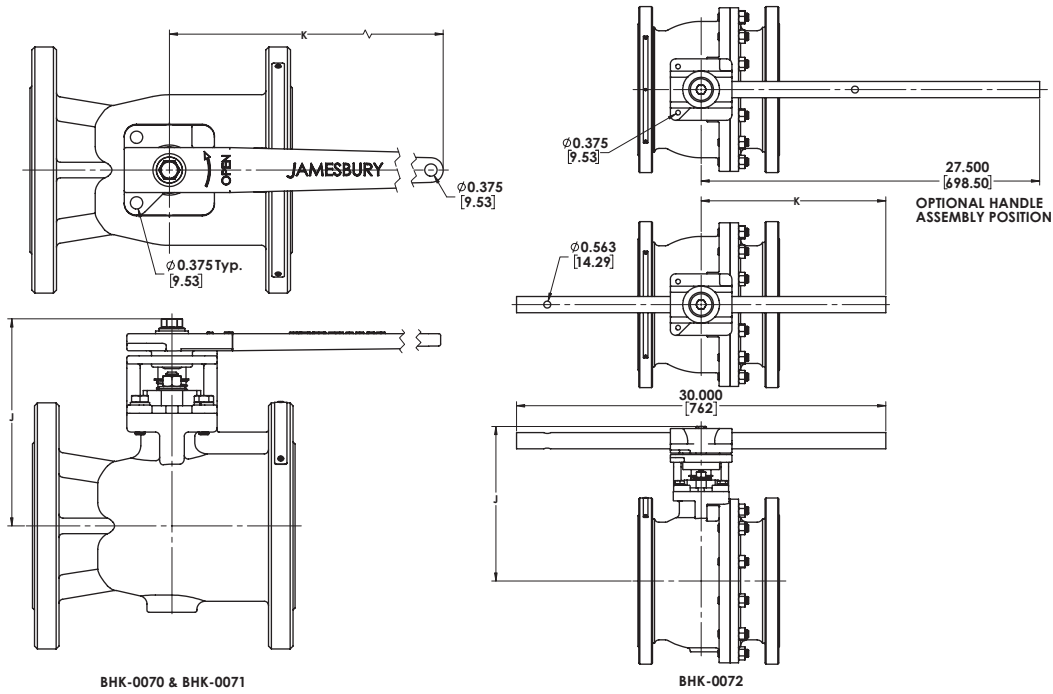
Accessory Table - inches (DN)

Valve Size Standard Bore	Lever Handle	Locking Device	Stem Ext.	Bonnet/ Stem Ext.	Locking Oval	Round	Round/Oval Handle		Allowable Max. Torque FT-LBS. (N-m)	
							Dimension A	Dimension H	Round	Oval
1/2" (15)	Standard Equipment	Standard Equipment	SE-093	SE-096	112-0108-30	112-0105-30	4.00 (101.6)	2.96 (75.2)	9 (12)	9 (12)
3/4" (20)			SE-094	SE-096	112-0108-30	112-0105-30	4.00 (101.6)	3.11 (79.0)	9 (12)	9 (12)
1" (25)			SE-094	SE-097	112-0109-30	112-0106-30	4.50 (114.3)	3.70 (94.0)	18 (24)	18 (24)
1-1/2" (40)			SE-095	SE-098	112-0110-30	112-0107-30	5.75 (146.0)	4.75 (120.7)	25 (34)	25 (34)
2" (50)			SE-095	SE-098	112-0110-30	112-0107-30	5.75 (146.0)	4.94 (125.5)	25 (34)	25 (34)
3" (80)	BHK-0070		SE-099	SE-102						
4" (100) 7150	BHK-0070		SE-099	SE-102						
4" (100) 730S & 7300	BHK-0071		SE-0100	SE-103						
6" (150) 7150	BHK-0071		SE-0100	SE-103						
6" (150) 730S & 7300	BHK-0072		SE-0101	SE-104						
8" (200) 7150	BHK-0072		SE-0101	SE-104						
							N/A			

* For valves with PEEK(L) seats that require stem extensions use bonnet/stem extension SE-096, 097 or 098.

DIMENSIONS

**3"-8" (DN 80-200) Series 7150 ASME Class 150 and
3"-6" (DN 80-150) Series 7300 & 730S ASME Class 300**

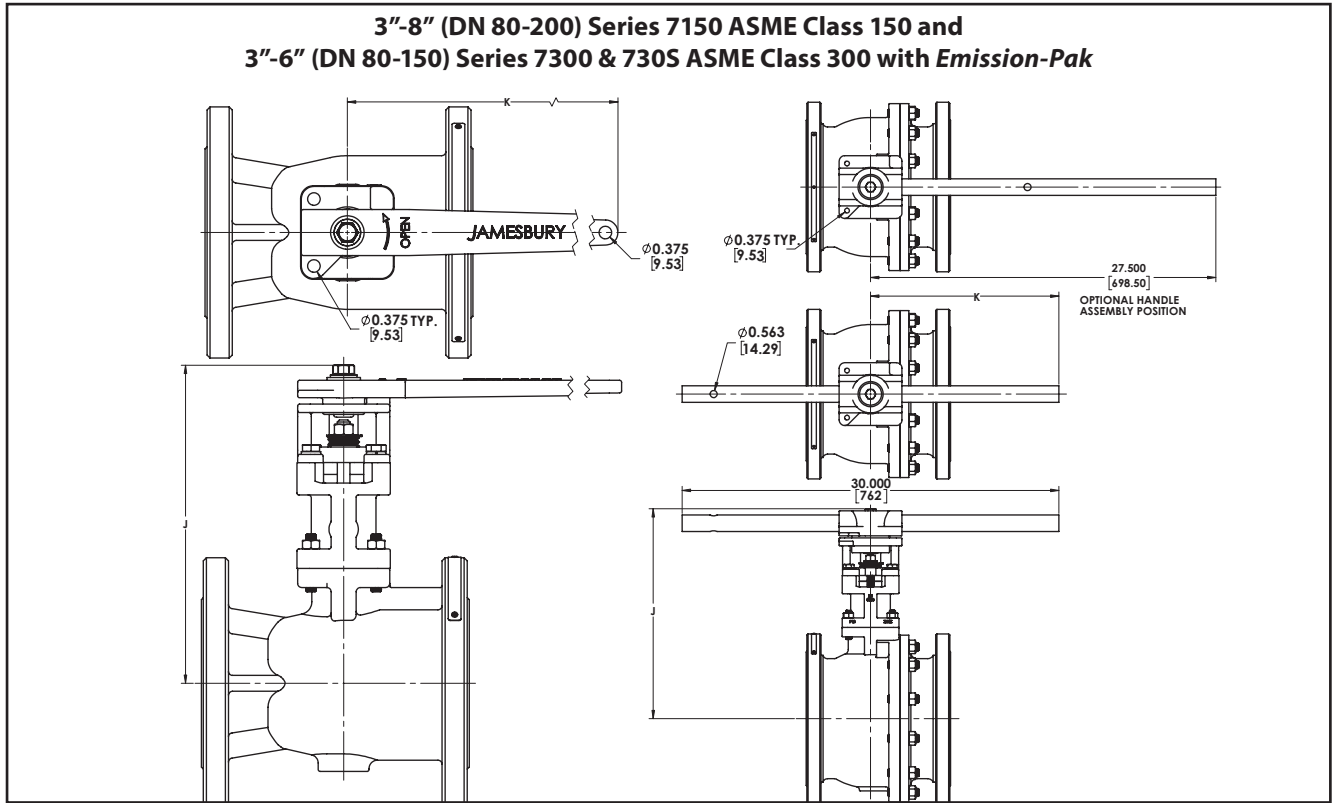


Series 7150 ASME Class 150 Approximate Dimensions - inches					
Valve Size inches	Handle Kit Number	J	K	ISO Pattern	Weight lb
2	BHK-0070	6.19	14.00	F07	7
3	BHK-0070	6.68	14.00	F07	7
4	BHK-0071	8.94	19.94	F10	9
6	BHK-0072	12.57	15.00	F12	34

Series 7150 ASME Class 150 Approximate Dimensions - mm					
Valve Size DN	Handle Kit Number	J	K	ISO Pattern	Weight kg
80	BHK-0070	157	356	F07	3
100	BHK-0070	170	356	F07	3
150	BHK-0071	227	506	F10	4
200	BHK-0072	319	381	F12	15

Series 7300 & 730S ASME Class 300 Approximate Dimensions - inches					
Valve Size inches	Handle Kit Number	J	K	ISO Pattern	Weight lb
3	BHK-0070	6.19	14.00	F07	7
4	BHK-0071	8.11	19.94	F10	9
6	BHK-0072	11.00	15.00	F12	34

Series 7300 & 730S ASME Class 150 Approximate Dimensions - mm					
Valve Size DN	Handle Kit Number	J	K	ISO Pattern	Weight kg
80	BHK-0070	157	356	F07	3
100	BHK-0071	206	506	F10	4
150	BHK-0072	279	381	F10	15



Series 7150 ASME Class 150 Approximate Dimensions - inches					
Valve Size inches	Handle Kit Number	J	K	ISO Pattern	Weight lb
3	BHK-0070	9.35	14.00	F07	7
4	BHK-0070	9.83	14.00	F07	7
6	BHK-0071	12.87	19.94	F10	9
8	BHK-0072	16.69	15.00	F12	34

Series 7150 ASME Class 150 Approximate Dimensions - mm					
Valve Size DN	Handle Kit Number	J	K	ISO Pattern	Weight kg
80	BHK-0070	237	356	F07	3
100	BHK-0070	250	356	F07	3
150	BHK-0071	327	506	F10	4
200	BHK-0072	424	381	F12	15

Series 7300 & 730S ASME Class 300 Approximate Dimensions - inches					
Valve Size inches	Handle Kit Number	J	K	ISO Pattern	Weight lb
3	BHK-0070	9.35	14.00	F07	7
4	BHK-0071	12.05	19.94	F10	9
6	BHK-0072	15.12	15.00	F12	34

Series 7300 & 730S ASME Class 300 Approximate Dimensions - mm					
Valve Size DN	Handle Kit Number	J	K	ISO Pattern	Weight kg
80	BHK-0070	237	356	F07	3
100	BHK-0071	306	506	F10	4
150	BHK-0072	384	381	F12	15

WARNING:

As the use of the valve is application specific, a number of factors should be taken into account when selecting a valve for a given application. Therefore, some of the situations in which the valves are used are outside the scope of this manual. If you have any questions concerning the use, application or compatibility of the valve with the intended service, contact Metso for more information.

HOW TO ORDER

EXAMPLE: A 2" ASME Class 300 short design valve (730S) in *Fire-Tite* design with raised-face flanges (31), carbon steel body (22), and 316 stainless steel trim (36), with *Xtreme* seats (XTZ) and molecularly enhanced PTFE stem seals is written: 2" 730S-31-2236XTZ1.

1	2	3	4	5	6	7	8
2"	7150	-	31	22	36	XTZ	1

1	Size		
1/2" to 20"	1/2" (DN 15)	3" (DN 80)	12" (DN 300)
	3/4" (DN 20)	4" (DN 100)	14" (DN 350)
	1" (DN 25)	6" (DN 150)	16" (DN 400)
	1-1/2" (DN 40)	8" (DN 200)	18" (DN 450)
	2" (DN 50)	10" (DN 250)	20" (DN 500)

2	Valve Series & Style	Size Range
7150	Reduced Bore Class 150	1/2" – 20" (DN 15 – 500)
7180	Reduced Bore Class 150*	1/2" – 20" (DN 15 – 500)
7300**	Reduced Bore Class 300	1/2" – 20" (DN 15 – 500)
7380**	Reduced Bore Class 300*	1/2" – 20" (DN 15 – 500)
730S***	Reduced Bore Class 300	1/2" – 12" (DN 15 – 300)
738S**	Reduced Bore Class 300*	1/2" – 12" (DN 15 – 300)

* Metric units on nameplate. Includes static grounding. Valves larger than 1" (DN 25) are CE marked.

** 18" (DN 450) Only available as 7300 or 7380.

*** Special short pattern for the 730S or 738S uses a ASME Class 150 face to face.

3	Special Construction	
—	Standard (no entry)	
C	Chlorine	
DBB	Double Block and Bleed	
DT	125 RMS Flange Finish	
O	Oxygen	
Q	PTFE Cavity Filler	
STG	Static Ground (1/2" – 1-1/2" 9000) (Not for <i>Emission-Pak</i>)	
ST	Top Ground (1/2" – 1-1/2" 9000) (Not for <i>Emission-Pak</i>)	
V	High Vacuum	
VC	High Vacuum Certified	
<i>Emission-Pak</i> Coding		
LA	Standard w/o leakoff	1/2"-8" (DN 15 – 200) 7150/7180 1/2"-6" (DN 15 – 150) 7300/730S/ 7380/738S
LL	Standard w/ leakoff	
LC	Chlorine w/o leakoff	
L1	Chlorine w/ leakoff	
L2	Static Ground w/o leakoff (1/2" – 2" 7000 ONLY)	
L3	Static Ground w/ leakoff (1/2" – 2" 7000 ONLY)	
LV	High Vacuum w/o leakoff	
LB	High Vacuum w/ leakoff	
LW	High Vacuum Certified w/o leakoff	
LJ	High Vacuum Certified w/ leakoff	
LX	Oxygen w/o leakoff	
LG	Oxygen w/ leakoff	

4	End Connection	Size Range
11	Raised Face, Non- <i>Fire-Tite</i> , Non-Trunnion	1/2 – 10" (DN 15 – 250)
31	Raised Face, <i>Fire-Tite</i> , Non-Trunnion	1/2 – 10" (DN 15 – 250)
51	Raised Face, Non- <i>Fire-Tite</i> , Non-Trunnion	8 - 20" (DN 300 - 500) Class 150 6 - 20" (DN 300 - 500) Class 300
71	Raised Face, <i>Fire-Tite</i> , Trunnion	10 – 20" (DN 200 – 500) Class 150 8 – 20" (DN 250 – 500) Class 300

5	Body Material*
22 ⁵	Carbon Steel (WCB)
28	Carbon Steel (LCC)
35	Alloy 20 (CN7M)
36 ⁵	Stainless Steel (CF8M)
71 ⁵	Monel

* Other materials available upon request

6	Ball & Stem Materials*	
35	Alloy 20 (CN7M)	
36 ⁵	Stainless Steel (CF8M)	
71 ⁵	Monel & K Monel	
73	Hastelloy C	
HB ⁵	316 SS & 17-4PH	Required for seat code LGG
00	Same as body	Carbon steel not available

* Other materials available upon request

7	Seat Material*	Available Sizes
XTZ	<i>Xtreme</i>	All
BTT	PFA	1/2 – 8" (DN 15 – 200)
LGG ^{†12}	PEEK	1/2 – 6" (DN 15 – 150)
MBT ¹	Barrier Filled PTFE	4" – 13" (DN 100 – 300)
TTT	PTFE	All
UUU ¹	UHMWPE	1/2 – 10" (DN 15 – 250)
ZTT	TFM	1/2" – 10" (DN 15 – 250)

* Other materials available upon request

† Requires 17-4PH Stem

1 Non-*Fire-Tite* only

2 Not a self relieving seat

8	Valve Body Bolting Materials		Valve Gland Bolting Materials	
	Studs	Nuts	Bolts/Studs	Nuts
1	ASTM A193 Gr. B7	ASTM A194 Gr. 2H or 2HB	ASTM A193 Gr. B8, B8C, B8M or B8T, Class 2	ASTM A194 Gr. 8B, 8CB, 8MB, 8T8, 8FB
2	ASTM A193 Gr. B8, B8C, B8M or B8T Class 2	ASTM A194 Gr. 8B, 8CB, 8MB, 8T8, 8FB	ASTM A193 Gr. B8, B8C, B8M or B8T, Class 2	ASTM A194 Gr. 8B, 8CB, 8MB, 8T8, 8FB
4	K-Monel	K-Monel	K-Monel	K-Monel
5	ASTM A193 Gr. B7M	ASTM A194 Gr. 2HM	ASTM A193 Gr. B8, B8C, B8M or B8T, Class 2	ASTM A194 Gr. 8B, 8CB, 8MB, 8T8, 8FB
H	Alloy 20	Alloy 20	Alloy 20	Alloy 20

* Other materials available upon request

** Required for compliance to NACE for 2" and larger (if buried or insulated)

- 4 1-1/2" and smaller NACE compatibility (if buried or insulated)
- 5 Material meets NACE requirements for sour environments. For valves to be in full compliance with NACE, both the body (sign #5) and trim (sign #6) must meet the NACE requirements.

9	Model*
A	1/2" – 2" (DN 15 – 50) 7000 (Non-Emission-Pak) 8" (DN 200) 7300, 7380, 730S, 738S 10" (DN 250) 7000 12" – 20" (DN 300 – 500) 7000
C	1/2" – 2" (DN 15 – 50) 7000 (Emission-Pak) 3" – 8" 7150, 7180 (Non- Emission-Pak) 3" – 6" 7300, 7380, 730S, 738S (Non- Emission-Pak) 3" – 8" 7150, 7180 (Emission-Pak) 3" – 6" 7300, 7380, 730S, 738S (Emission-Pak)

* Model Code not required when ordering

Hastelloy is a registered trademark of Haynes International, Inc.
Monel is a registered trademark of Special Materials Corp.
Inconel is a registered trademark of Special Materials Corp.

STANDARDS AND SPECIFICATIONS

The Company

ISO 9001 – 2015

Pressure Equipment Directive 2014/68/EU

Available Standards

API 598	American Petroleum Institute - Valve Inspection and testing
API 607	American Petroleum Institute - Fire Test for Soft Seated Valves
API 608	Metal Ball Valves Used in On-Off Service that have Butt welded or Flanged Ends
ASME B16.10	American National Standard - Face-to-Face and End-to-End Dimensions of Ferrous Valves
ASME B16.5	American National Standard - Steel Pipe Flanges and Flanged Fittings
ASME B16.34	American National Standard - Steel Valves - Flanged and Butt welded End
ASME B31.1	American National Standard - Power Piping
ASME B31.3	American National Standard - Chemical Plant and Petroleum Refinery Piping
FCI 70-2	American National Standard - For Control Valve Seat Leakage
ISO 15848-1	Industrial Valves - Fugitive Emissions - Measurement, Test & Qualification Procedures
ISO 17292	Metal Ball Valves for Petroleum, Petrochemical and Allied Industries
ISO 5752	International Standard for Organization Metal Valves for use in Flanged Piping Systems
ISA 75.02	Valve Sizing Coefficient Cv, Piping Geometry Factor Fp and Pressure Drop Limitation XT
ISA 75.19	Hydrostatic Testing of Control Valves
ISO 5211	Dimensions for Attachment of Actuators/Gear Boxes to Valves (ISO Mounting)
MSS SP-25	Manufacturers Standardization Society - Standard Marking System for Valves
MSS-SP-55	Manufacturers Standardization Society - Quality Standards for Steel Castings
MSS-SP-6	Standard Finishes for Contact Faces of Pipe Flanges and Connecting-End Flanges of Valves and Fittings
MSS-SP-44	Steel Pipe Line Flanges
MSS-SP-61	Pressure Testing of Steel Valves
MSS SP-72	Flanged or Butt and Weld End Ball Valves Having Full or Reduced Bores for General Liquid and Gas Service
MSS SP-96	Terminology for Valves and Fittings
2014/68/EU	European Pressure Equipment Directive (PED)
MSS SP-53-1995	Quality Standard For Steel Castings and Forgings for Valves, Flanges and Fittings and Other Piping Components-Magnetic Particle Examination Method
MSS SP-93-1987	Quality Standard For Steel Castings and Forgings for Valves, Flanges and Fittings and Other Piping Components-Liquid Penetrant Method
NACE Standard MR0103	National Association of Corrosion Engineers - Materials Resistant to Sulfide Stress Cracking in Corrosive Petroleum Refining Environments
NACE Standard MR0175	National Association of Corrosion Engineers - Materials For Use In H ₂ S- Containing Environments In Oil And Gas Production
Factory Mutual (FM)	Figure 1052 Gas and Oil Shutoff Valves.
Factory Mutual (FM)	Figure 1051 Supervisory Cock Valves, Electric Interlocking Fuel Gas and Fuel Oil Cocks.
CSA	Figure 1057/1056 Gas Shut-Off and Vent Valves.
Factory Mutual (FM)	Figure 1075 Emergency Shut-Off and Fire-Safe Valves.
CSA	CSA 3.16
EN 161/264	Automatic Shut-Off Valves for Gas Burners and Gas Appliances
Underwriter Laboratory (UL)	Categories MHKZ, YQAR, YRBX, YRPV, YSDT.
Underwriter's Laboratories of Canada (ULC)	Categories YSDT7 & YRPV7

Subject to change without prior notice.

Metso Flow Control Inc.

Europe, Vanha Porvoontie 229, P.O. Box 304, FI-01301 VANTAA, Finland.
Tel. +358 20 483 150. Fax +358 20 483 151

North America, 44 Bowditch Drive, P.O. Box 8044, Shrewsbury, MA 01545, USA.
Tel. +1 508 852 0200. Fax +1 508 852 8172

South America, Av. Independência, 2500- Iporanga, 18087-101, Sorocaba-São Paulo, Brazil.
Tel. +55 15 2102 9700. Fax +55 15 2102 9748/49

Asia Pacific, 238B Thomson Road, #17-01 Novena Square Tower B, Singapore 307685.
Tel. +65 6511 1011. Fax +65 6250 0830

China, 11/F, China Youth Plaza, No.19 North Rd of East 3rd Ring Rd, Chaoyang District,
Beijing 100020, China. Tel. +86 10 6566 6600. Fax +86 10 6566 2583

Middle East, Roundabout 8, Unit AB-07, P.O. Box 17175, Jebel Ali Freezone, Dubai,
United Arab Emirates. Tel. +971 4 883 6974. Fax +971 4 883 6836

www.metso.com/valves

