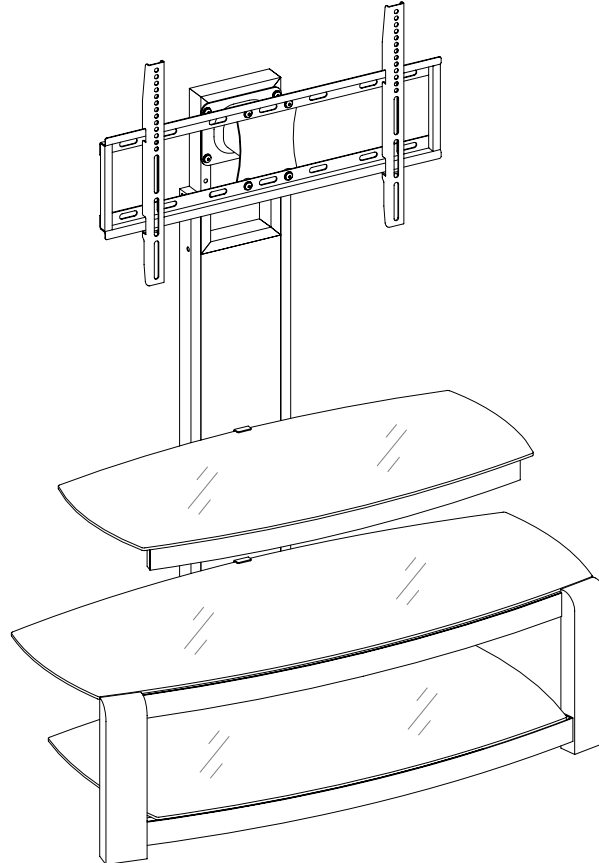




LOT NUMBER: _____
DATE PURCHASED: __/__/__

Flat Panel TV Stand Model # PROEC41-NV



ADULT ASSEMBLY REQUIRED

If you have any questions regarding assembly or if parts are missing, DO NOT return this item to the store where it was purchased. Please call our customer service number and have your instructions and parts list ready to provide the model name, part name or factory number:

1-866-942-5362

Pacific Standard Time: 8:30 a.m. - 4:30 p.m., Monday - Friday

Or visit our web site 24 hours a day, 7 days a week for product assistance at

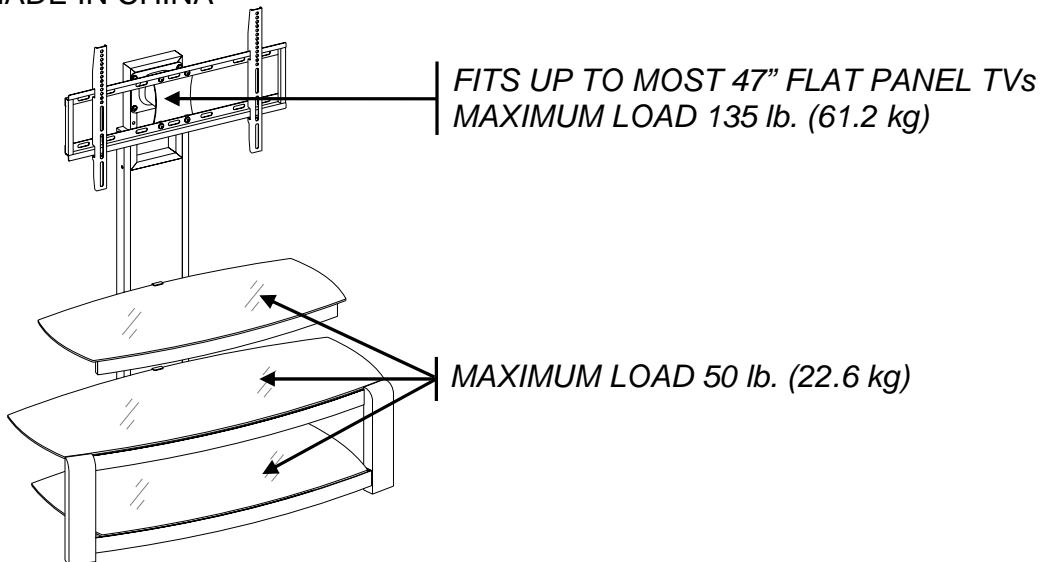
www.whalenfurniture.com

Or e-mail your request to parts@whalenfurniture.com

**THIS INSTRUCTION BOOKLET CONTAINS IMPORTANT SAFETY INFORMATION.
PLEASE READ AND KEEP FOR FUTURE REFERENCE.**

MAXIMUM RECOMMENDED WEIGHT LOADS

MANUFACTURER: Whalen Furniture Mfg., Inc.
 CATALOG: Flat Panel TV Stand (PROEC41-NV)
 DATE OF MANUFACTURE: July 2013
 MADE IN CHINA



⚠ WARNING

THIS UNIT IS NOT INTENDED FOR USE WITH CRT TVS. USE ONLY WITH FLAT PANEL TVS AND AUDIO/VIDEO EQUIPMENT MEETING RECOMMENDED SIZE AND WEIGHT LIMITS. NEVER USE WITH LARGER/HEAVIER THAN RECOMMENDED FLAT PANEL TVS OR EQUIPMENT. TO AVOID INSTABILITY, PLACE FLAT PANEL TV IN THE CENTER OF THE UNIT; CRT TVS, IMPROPERLY POSITIONED FLAT PANEL TVS, OR FLAT PANEL TVS OR OTHER EQUIPMENT THAT EXCEED RECOMMENDED SIZE AND WEIGHT LIMITS COULD FALL OFF OR BREAK THE UNIT, CAUSING POSSIBLE SERIOUS INJURY.

GENERAL INFORMATION, TIPS and TRICKS

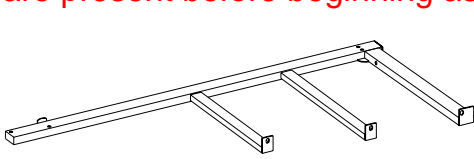
1. Please read the Assembly Instructions prior to assembling this product.
2. Remove all hardware from the box and sort by size.
3. Check to see that all hardware and parts are present BEFORE assembling.
4. Ask a friend to assist you with the assembly of this furniture.
5. To avoid damage, assemble the product on a sturdy, level and protective surface.
6. Please wait until all steps are completed before fully tightening Bolts.
7. Make sure all Bolts are tightly fastened before the unit is used.

This product is sold with one set of Tipping Restraint Hardware Kit. You must install the Tipping Restraint Hardware between the wall and the TV stand to prevent any accidents or damages. When properly installed, this restraint can provide protection against the unexpected tipping of the unit due to small tremors, bumps or climbing. The restraint is only a deterrent and is not a substitute for proper adult supervision. Use of tip-over restraints may only reduce, but not eliminate, the risk of tip-over.

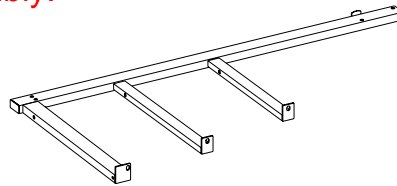
Please call for replacement parts or assistance: [1-866-942-5362](tel:1-866-942-5362)

Parts and Hardware List

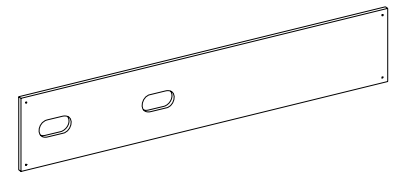
Please read completely through the instructions and verify that all listed parts and hardware are present before beginning assembly.



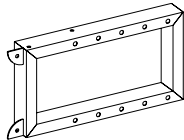
A- Left Side Frame (1)



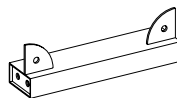
B- Right Side Frame (1)



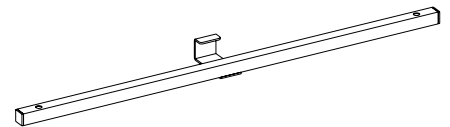
C- Back Panel (1)



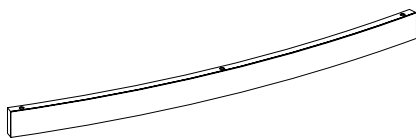
D - Back Top Frame (1)



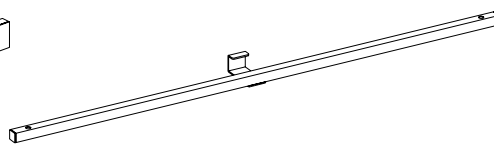
E- Back Bottom Stretcher (1)



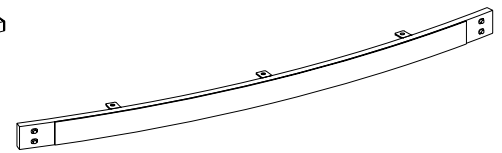
F- Top Crossbar (1)



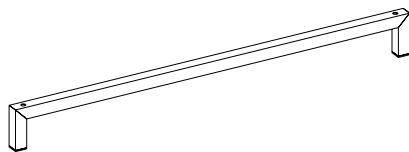
G- Top Stringer (1)



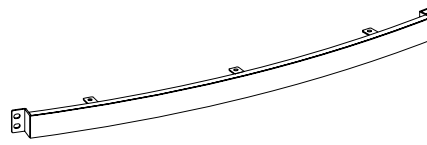
H- Middle Crossbar (1)



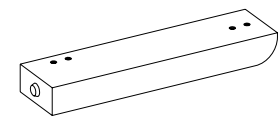
I- Middle Stringer (1)



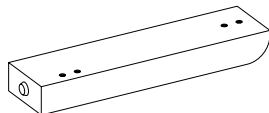
J- Bottom Brace (1)



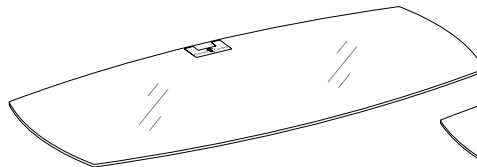
K- Bottom Stringer (1)



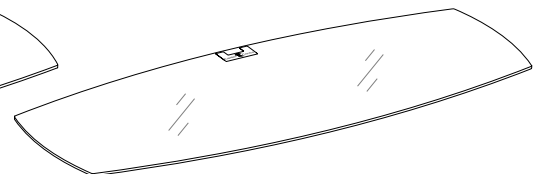
L- Left Front Post (1)



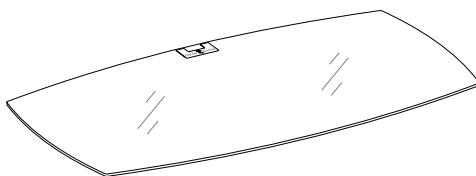
M- Right Front Post (1)



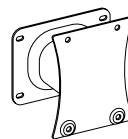
N- Top Glass (1)



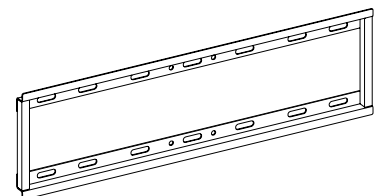
O- Middle Glass Shelf (1)



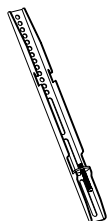
P- Bottom Glass Shelf (1)



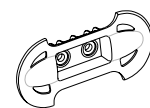
Q- Swiveling Bracket (1)



R- Mounting Frame (1)



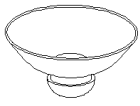
S- Monitor Bracket (2)



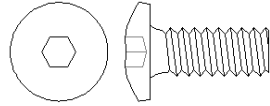
T- Cable Wheel (2)

Please call for replacement parts or assistance: 1-866-942-5362
Whalen Furniture Mfg. Inc.

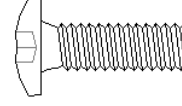
Parts and Hardware List



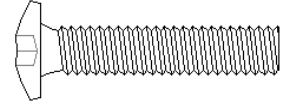
(1) Suction Cup
(15+1 extra)



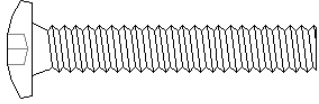
(2) 5/8" Bolt
(10+1 extra)



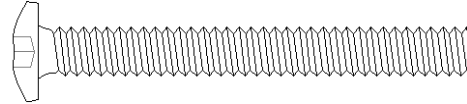
(3) 3/4" Bolt
(8+1 extra)



(4) 1-1/4" Bolt
(4+1 extra)



(5) 1-5/8" Bolt
(12+1 extra)



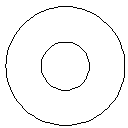
(6) 2-1/4" Bolt
(6+1 extra)



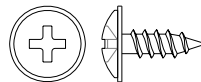
(7) Hex Nut
(8+1 extra)



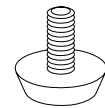
(8) Lock Washer
(40+2 extra)



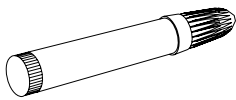
(9) Flat Washer (44+2 extra)



(10) #4 x 10 mm Screw (4+1 extra)



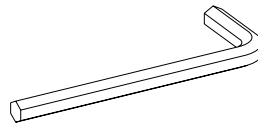
(11) Floor Leveler (2)



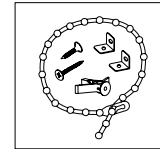
Touch-up Pen
(1)



Open Wrench
(1)

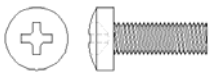


M4 Allen Wrench
(2)

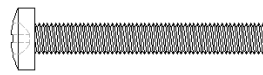


Tipping Restraint Hardware Kit (1)
(Inside Plastic Bag)

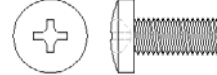
TV Mounting Kit



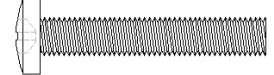
M4 x 12 Bolt (4)



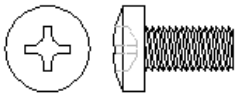
M4 x 30 Bolt (4)



M5 x 12 Bolt (4)



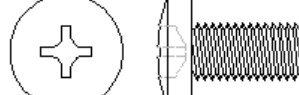
M5 x 30 Bolt (4)



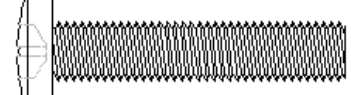
M6 x 12 Bolt (4)



M6 x 35 Bolt (4)



M8 x 16 Bolt (4)



M8 x 40 Bolt (4)



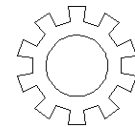
M4 Lock Washer (4)



M5 Lock Washer (4)



M6 Lock Washer (4)



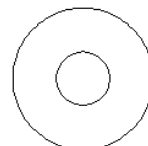
M8 Lock Washer (4)



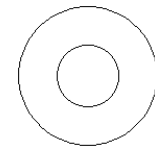
Large Spacer (4)



Small Spacer (4)



M4/M5 Flat Washer (8)

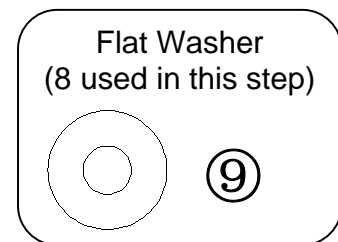
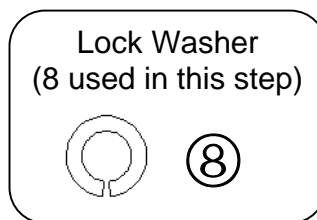
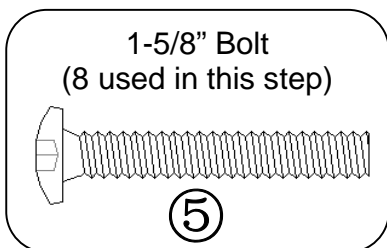
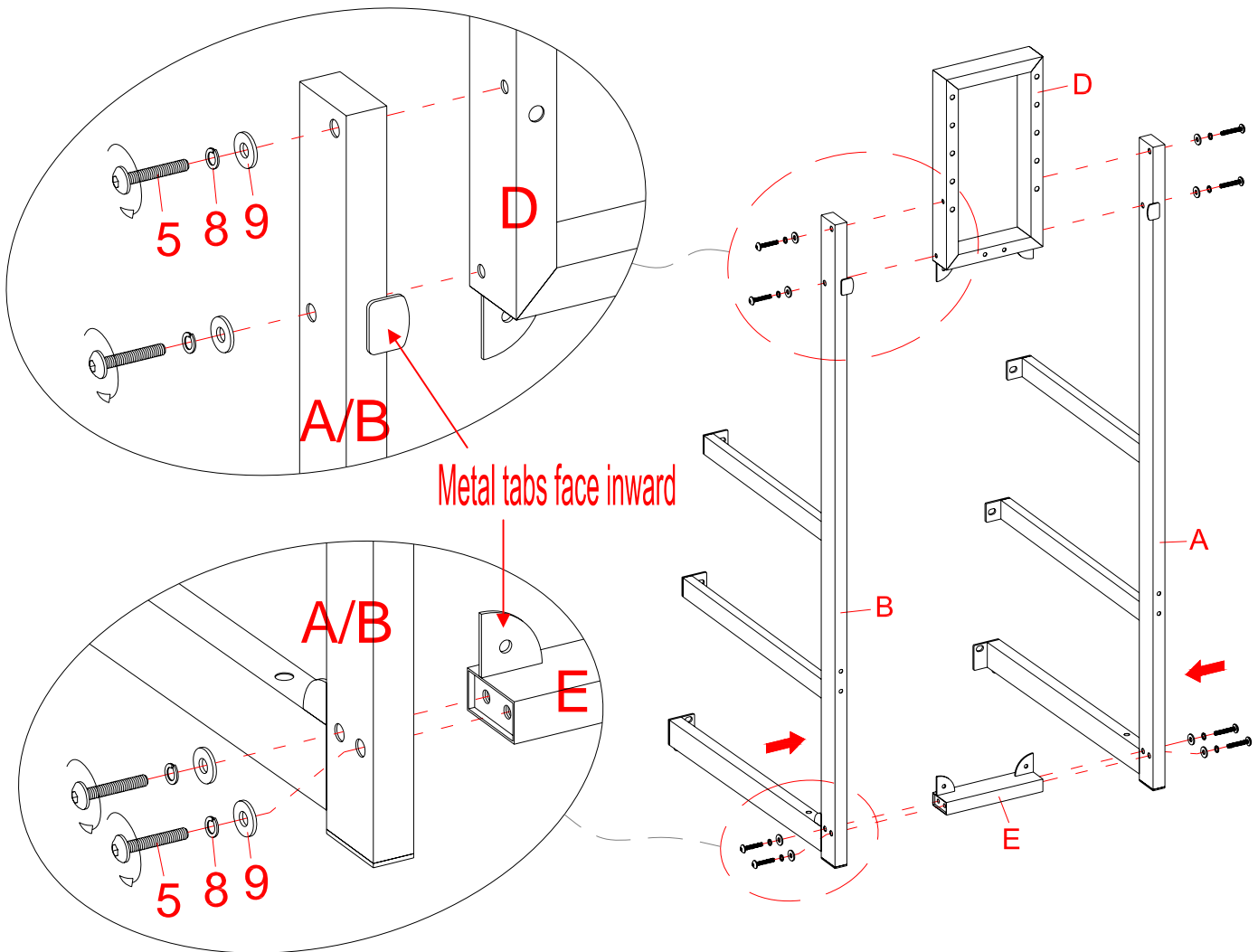


M6/M8 Flat Washer (4)

Tools required: Allen Wrench, Open Wrench (provided) and Phillips screwdriver (not provided).

Please call for replacement parts or assistance: 1-866-942-5362

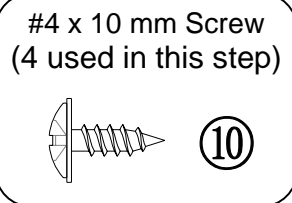
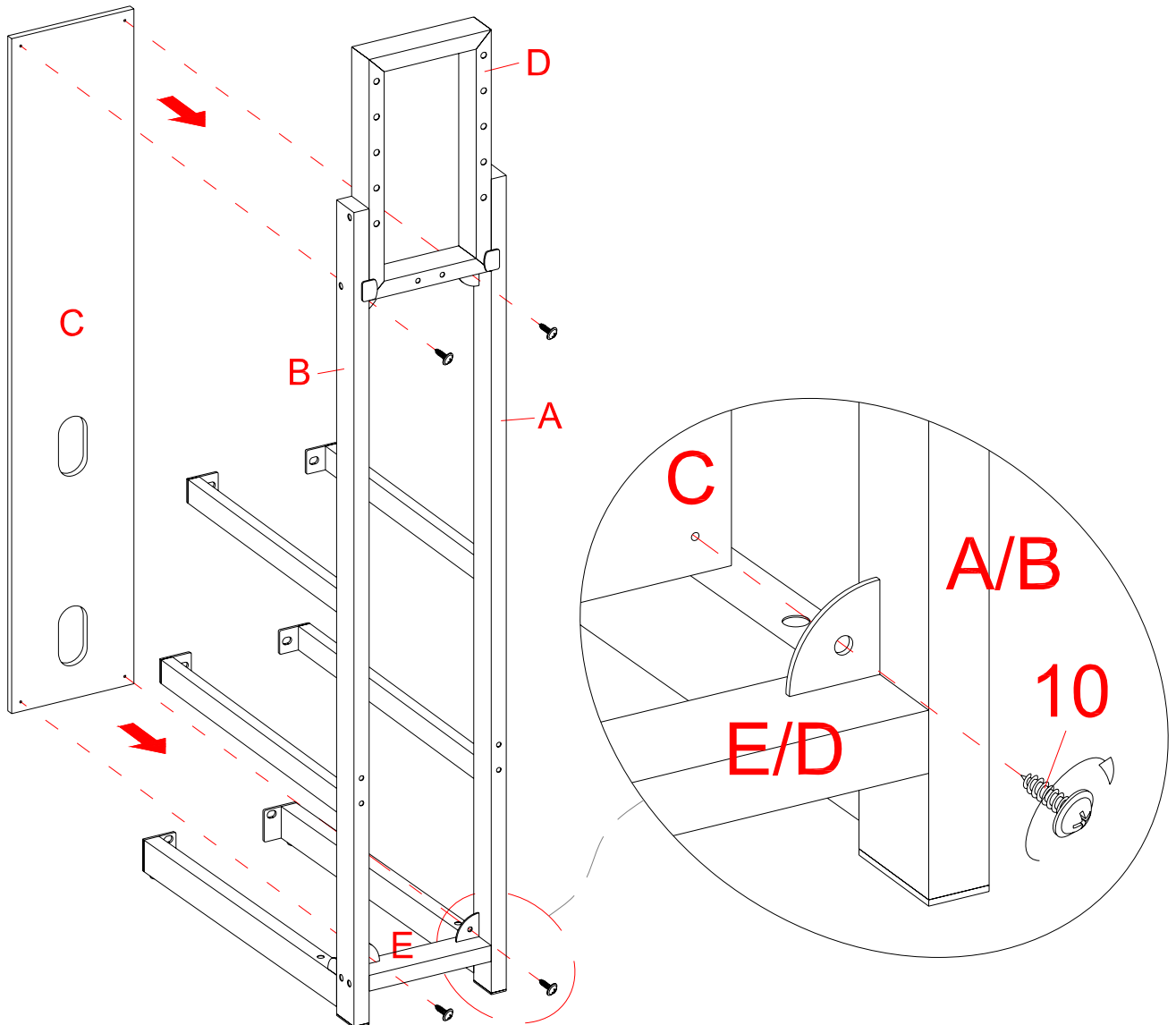
Assembly Instructions



NOTE: Please do not fully tighten all bolts until you finish assembling all parts. Once assembled, go back and fully tighten all bolts. This will make the assembly easier.

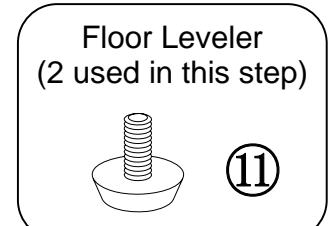
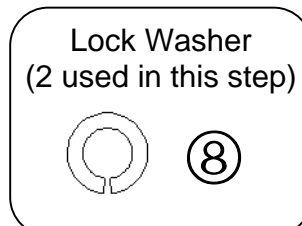
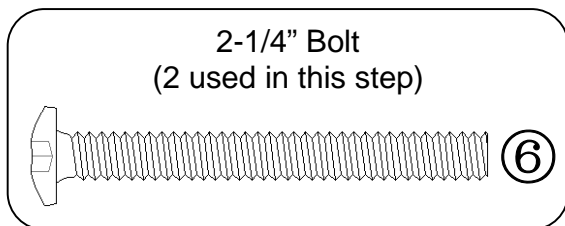
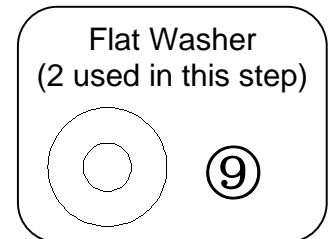
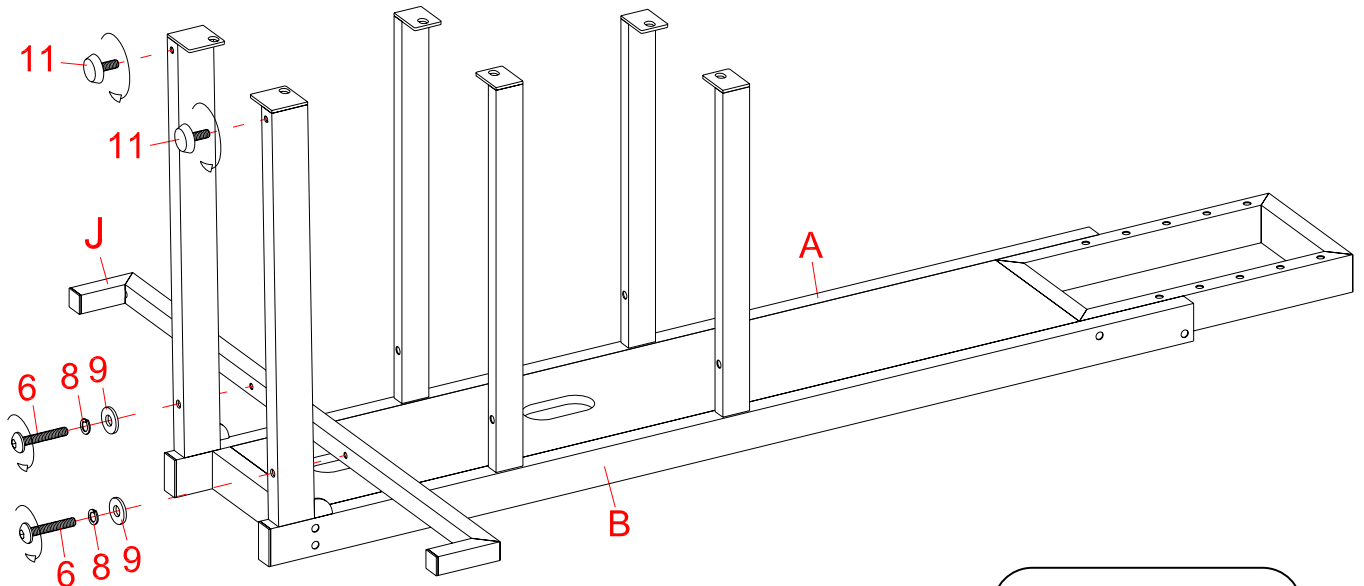
1. Attach the Back Top Frame (D) and the Back Bottom Stretcher (E) between Left and Right Side Frames (A and B). Make sure that the metal brackets on Back Bottom Stretcher (E) face up and point forward. Tighten the bolts with the enclosed M4 Allen Wrench.

Assembly Instructions



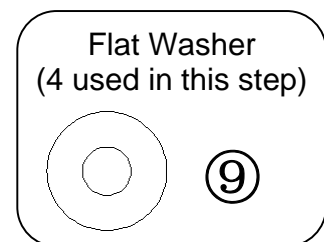
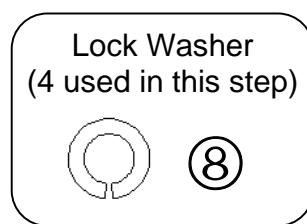
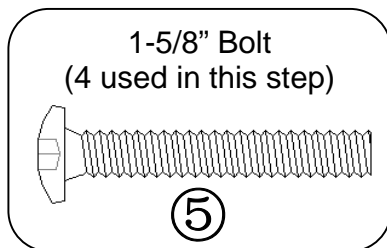
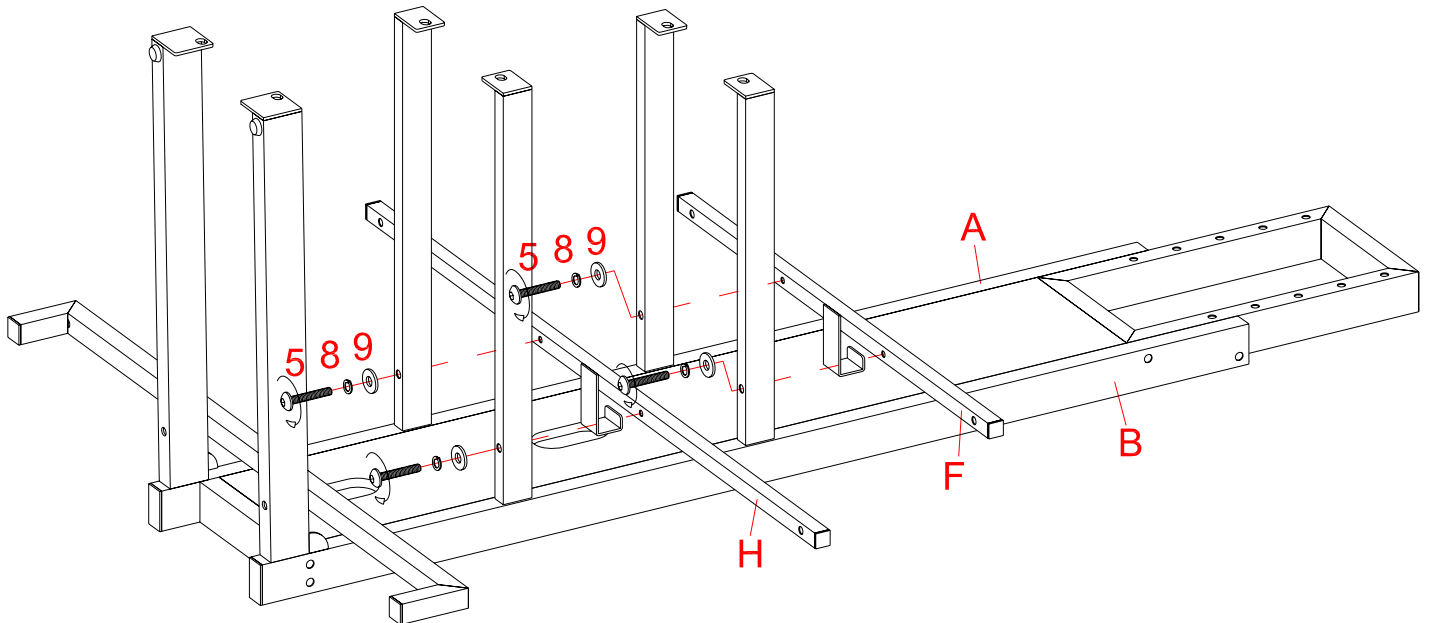
2. Pick up the Back Panel (C) and fit it between the front of Left and Right Side Frames (A and B), as shown above. Insert and screw four 10 mm Screws (10) through the corner brackets to secure the Back Panel in place. Make sure that the oval holes on the Back Panel are down. Tighten the screws with a Phillips screwdriver.

Assembly Instructions



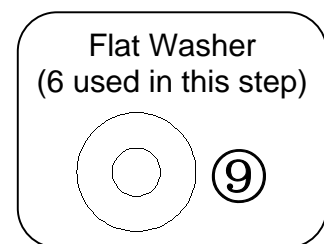
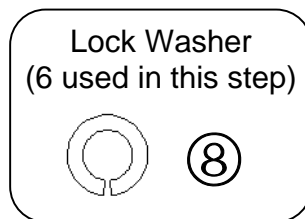
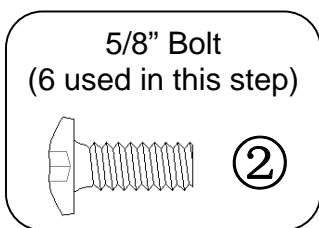
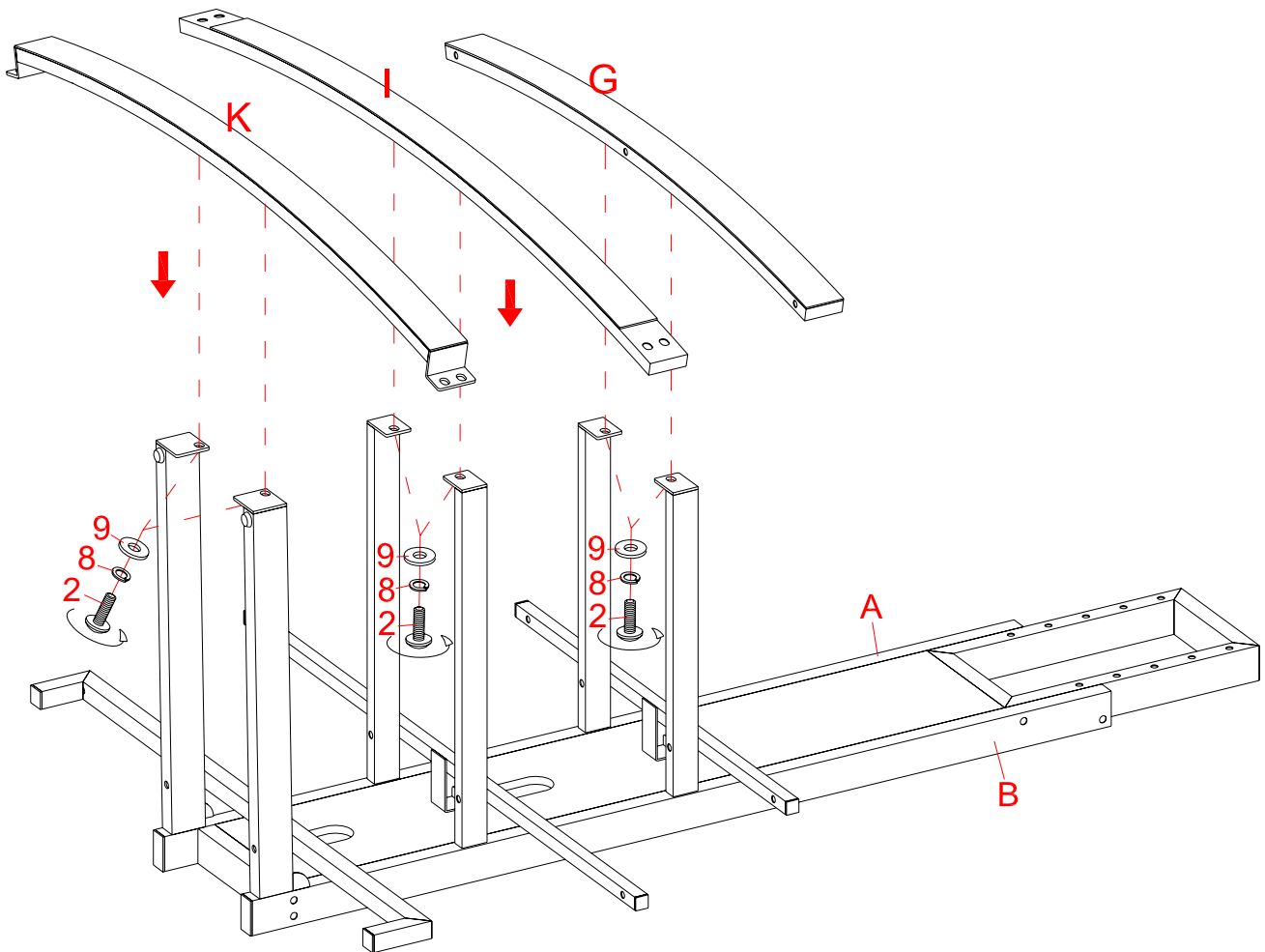
3. Lay down the unit on a level and protective surface, as shown.
4. Screw the Floor Levelers (11) into the front sockets underneath the bottom rail of Left and Right Side Frames (A and B). Set the Levelers to the correct height.
5. Attach the Bottom Brace (J) to the bottom rail of Left and Right Side Frames (A and B).

Assembly Instructions



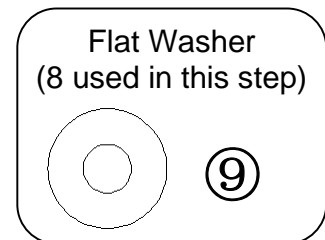
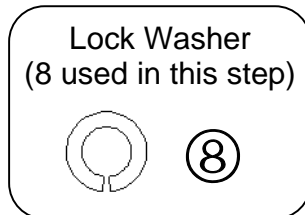
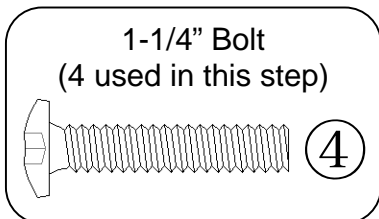
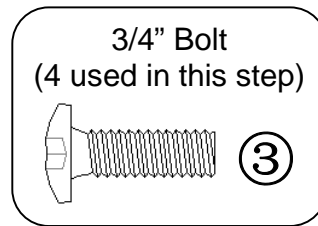
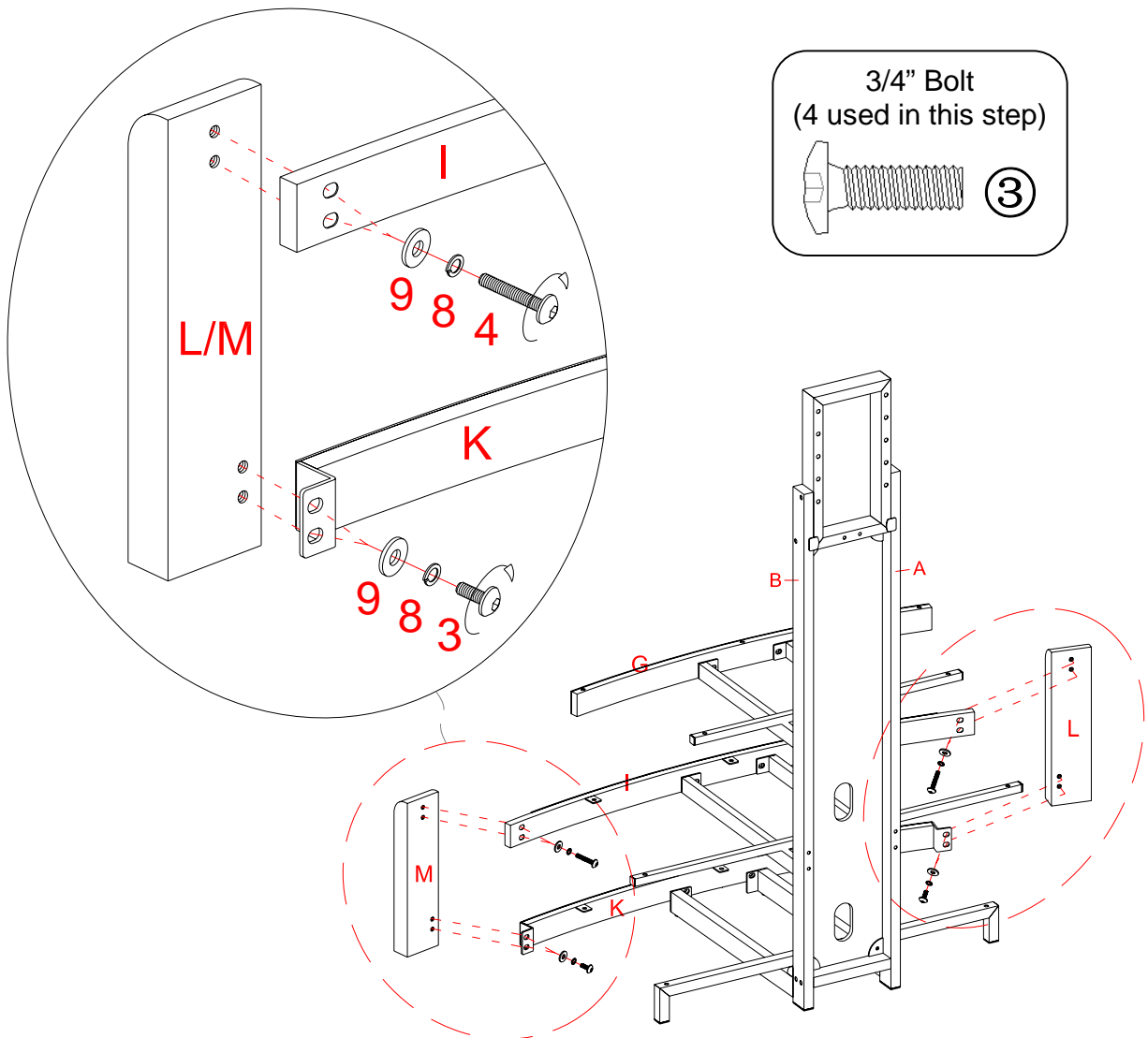
6. Attach the Middle Crossbar (H) to the middle rail of Left and Right Side Frames (A and B). Tighten the bolts with enclosed M4 Allen Wrench.
7. Repeat the last step to attach the Top Crossbar (F) to the top rail of Left and Right Side Frames (A and B).

Assembly Instructions



8. Align and attach the Stringers (G, I and K) to the end brackets on the front rails of the Side Frames (A and B) respectively, as shown above. Make sure that the top surface of stringers and back crossbars are flush with each other.

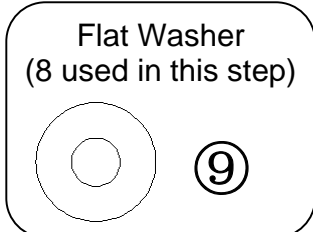
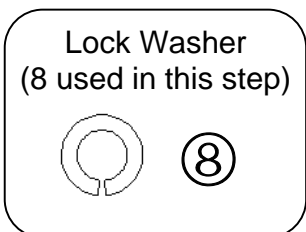
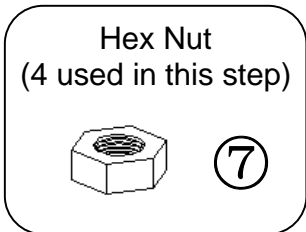
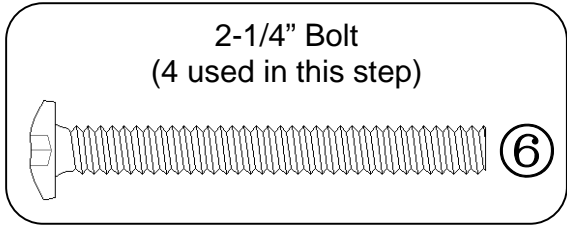
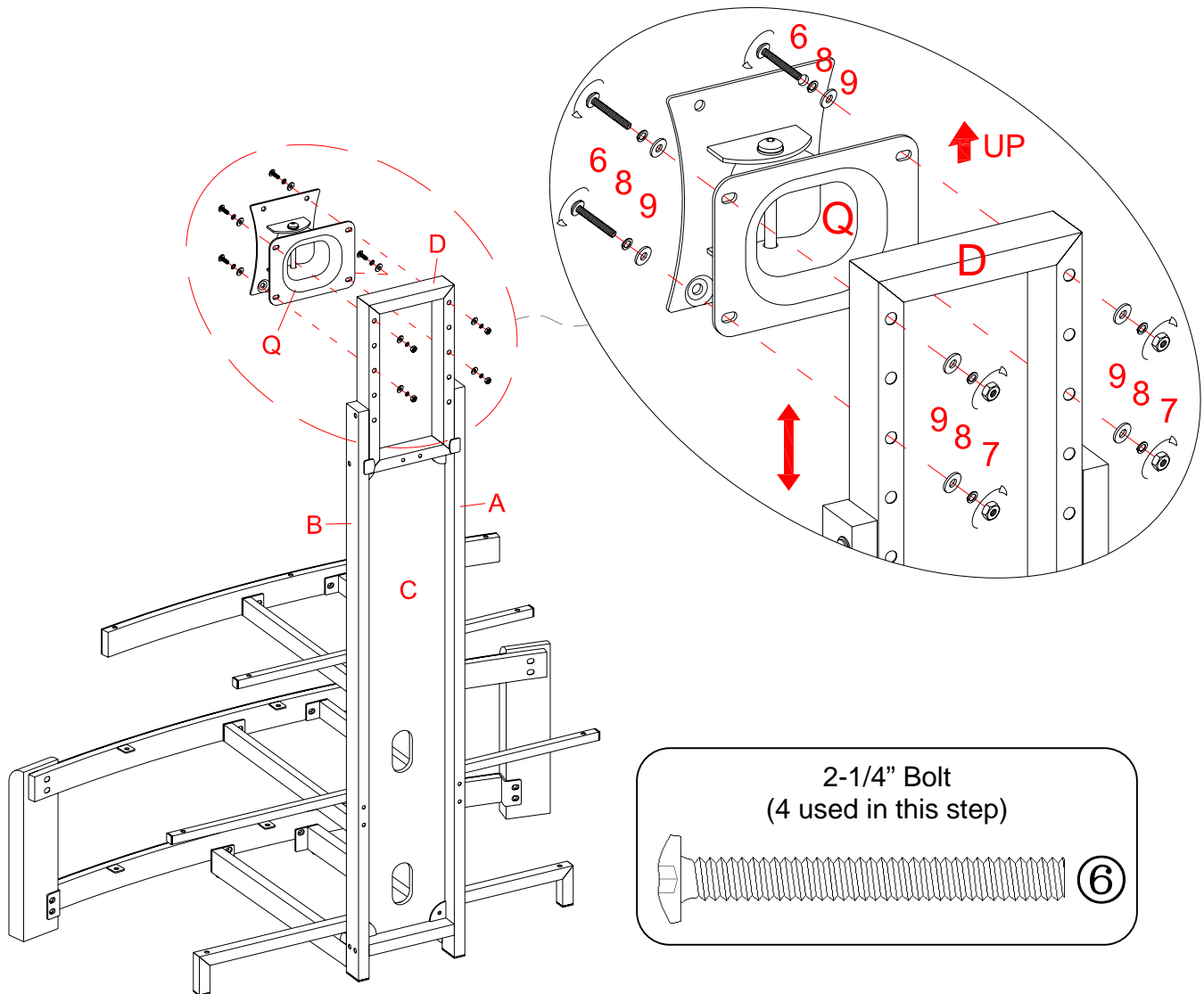
Assembly Instructions



9. Stand the last assembly upright.

10. Align and attach Left and Right Front Posts (L and M) to the Middle Stringer (I) and the Bottom Stringer (K), as shown above.

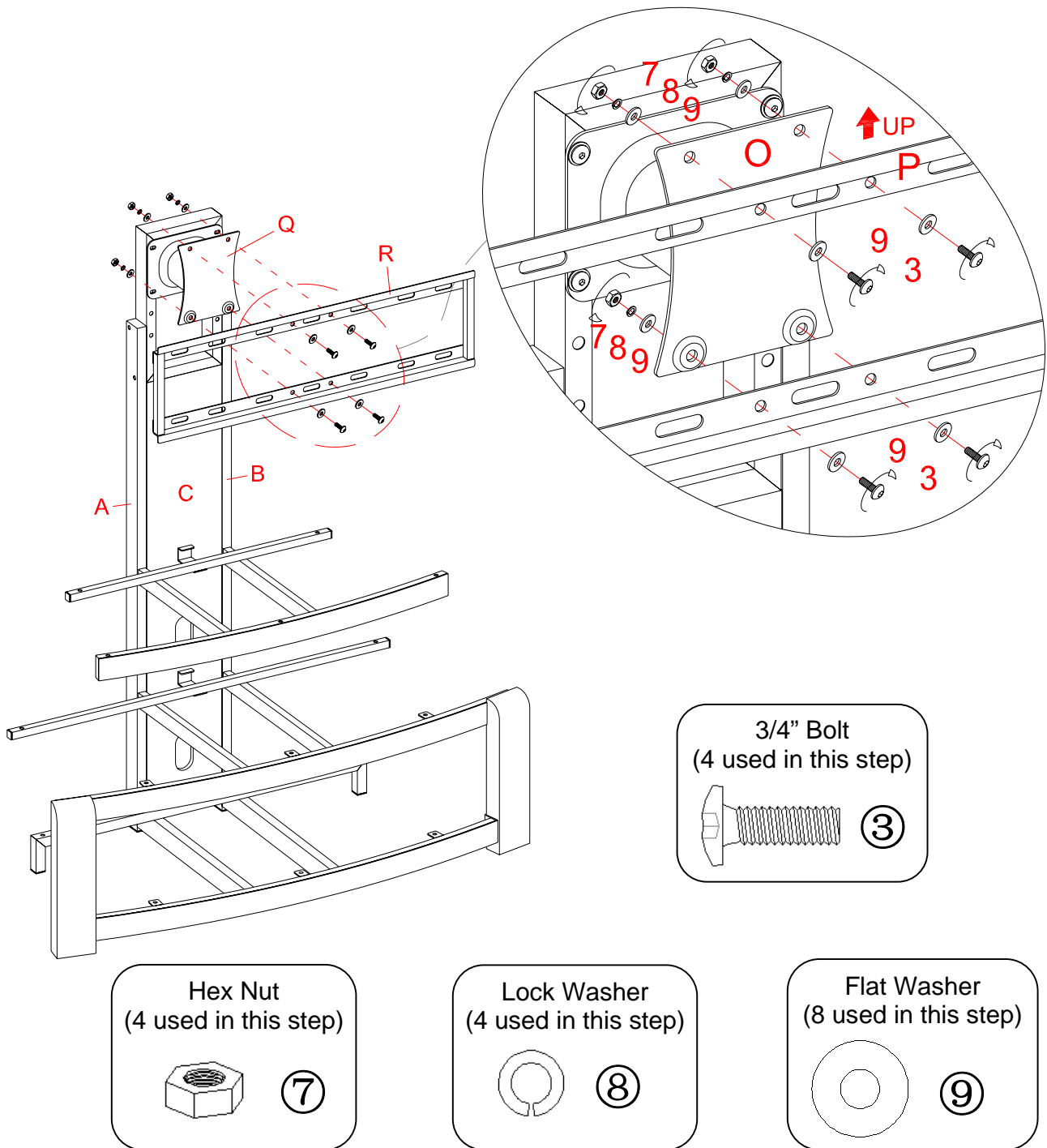
Assembly Instructions



11. Attach the Swiveling Bracket (Q) to the top of the Back Top Frame (D) with the pivoting bolt head up, as shown. Securely tighten with the provided Open Wrench and M4 Allen Wrench.

NOTE: The Back Top Frame can provide three height options for your TV set. Refer to your TV size and adjust the Swiveling Bracket at your desired height for optimum viewing.

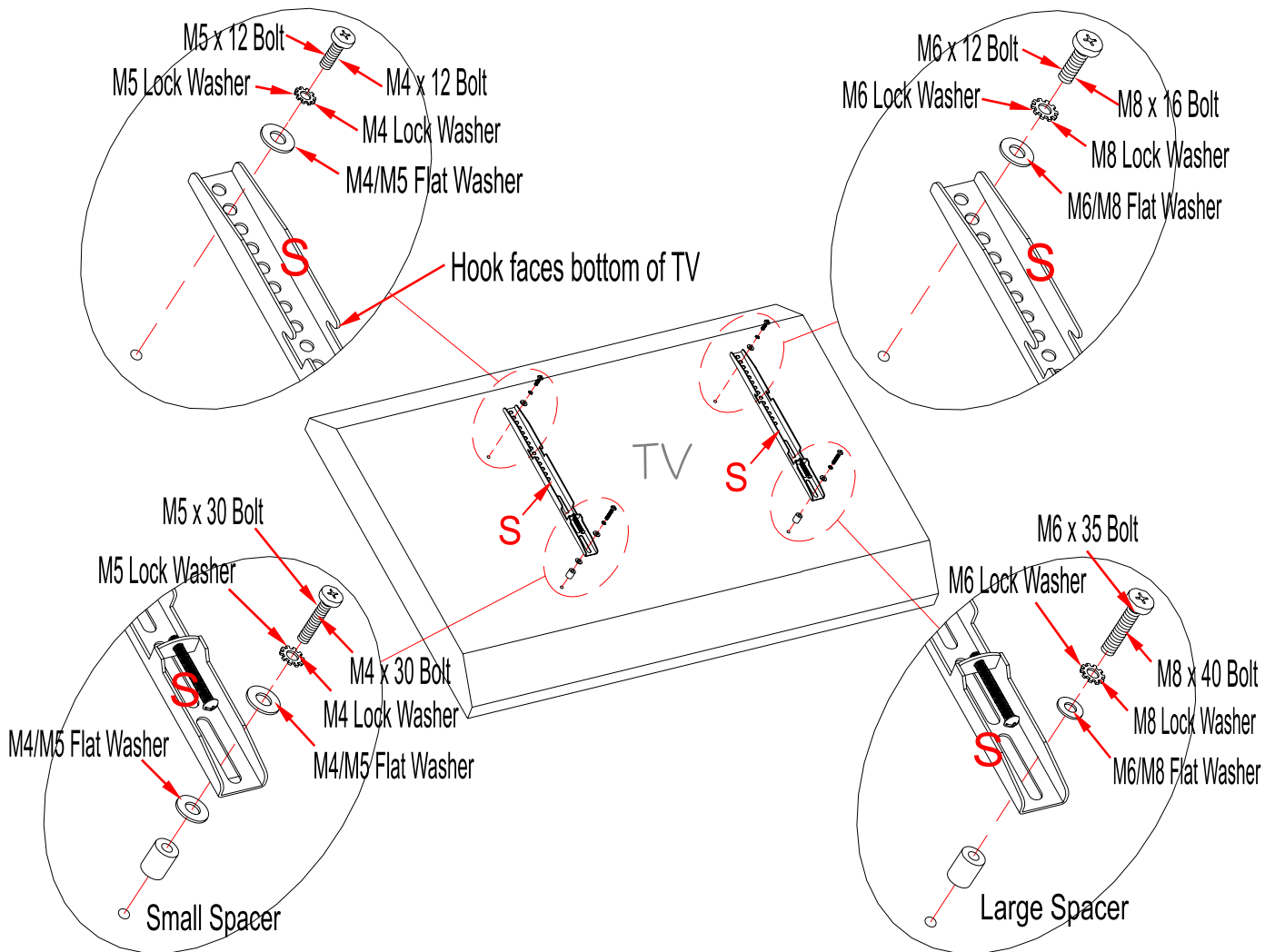
Assembly Instructions



12. Attach the Mounting Frame (R) to the Swiveling Bracket (Q) using four 3/4" Bolts (3) with Washers (8 and 9) and then secure with the Hex Nuts (7). As shown above.

13. Go back and tighten all bolts with the enclosed Allen Wrench and Open Wrench.

Mounting Monitor Bracket to a television with a flat back

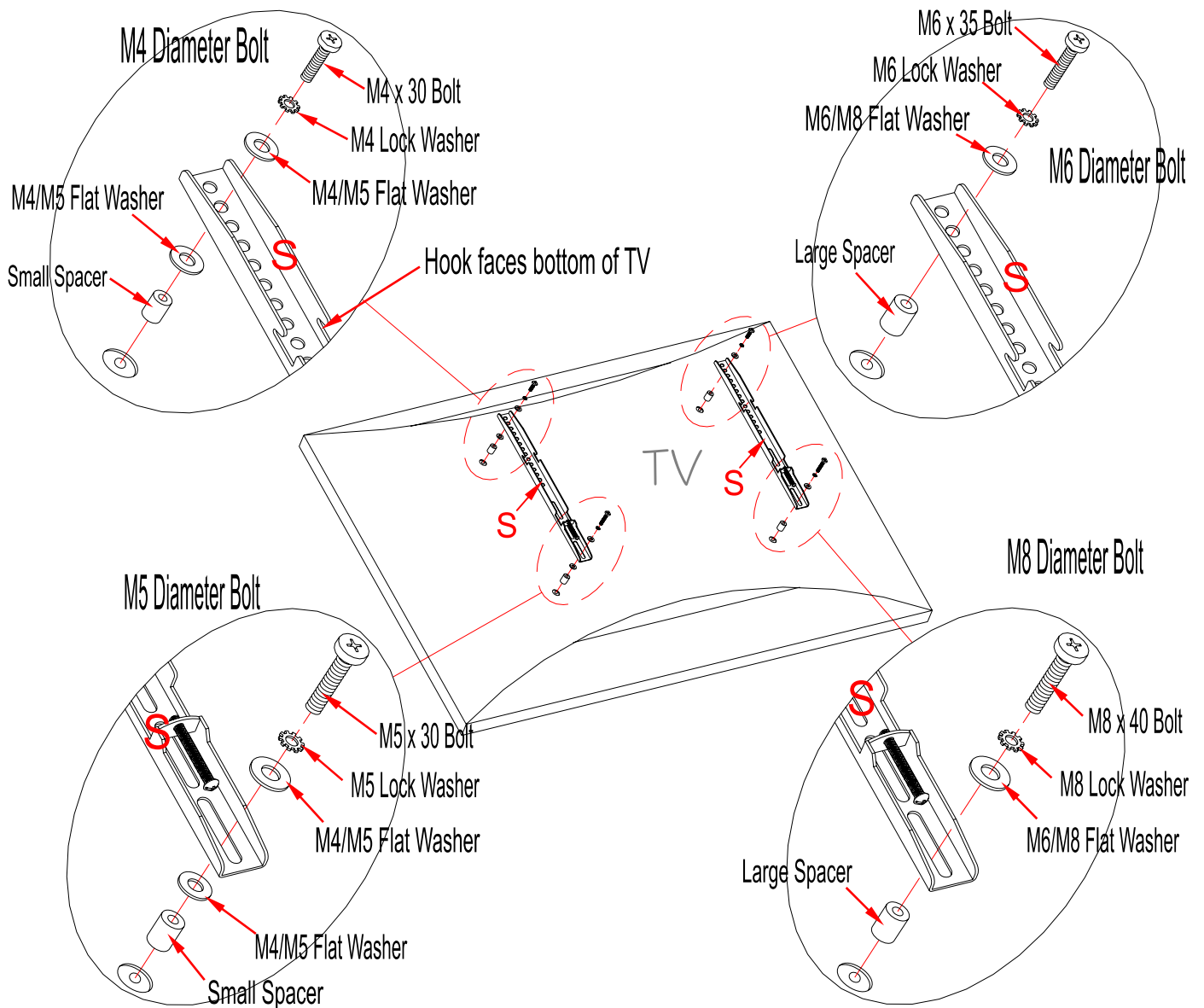


NOTE: For televisions with a curved or recessed back, proceed directly to the next page.

- Determine the correct diameter of the bolt your TV requires by hand threading them into the threaded inserts on the back of the TV. If you encounter any resistance, stop immediately. If you are unable to find the correct bolt consult a local hardware store.
- Follow the appropriate diagram above to attach the Monitor Brackets (S) to the back of your TV with the selected fasteners. Make sure the Monitor Brackets are centered and level with each other. Secure the bolts with a Phillips screwdriver. **DO NOT** over tighten the bolts.

NOTE: Lean the TV up against a wall or other solid surface when attaching with the Monitor Brackets. **DO NOT** place the TV face down on the glass, this may cause permanent damage.

Mounting Monitor Bracket to a television with a curved / recess back



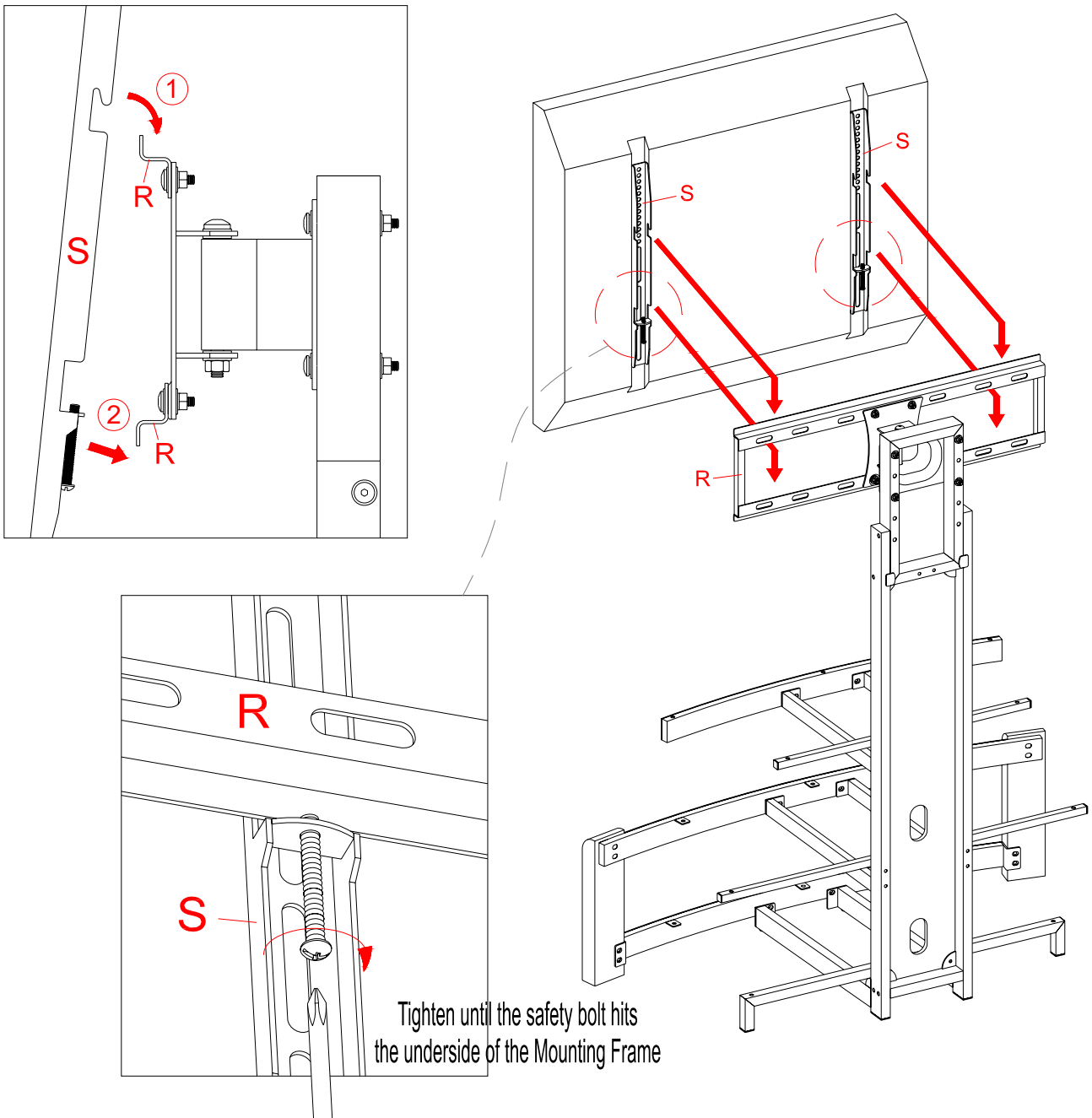
16. Determine the correct diameter of the bolt your TV requires by hand threading them into the threaded insert on the back of the TV. If you encounter any resistance, stop immediately. If you are unable to find the correct bolt consult a local hardware store.

17. Follow the appropriate diagram above to attach the Monitor Brackets (S) to the back of your TV with the selected fasteners. Make sure the Monitor Brackets are vertically centered and level with each other. Secure the bolts with a Phillips screwdriver. **DO NOT** over tighten the bolts.

NOTE: Lean the TV up against a wall or other solid surface when attaching with the Monitor Brackets. **DO NOT** place the TV face down on the glass, this may cause permanent damage.

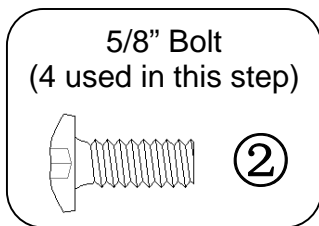
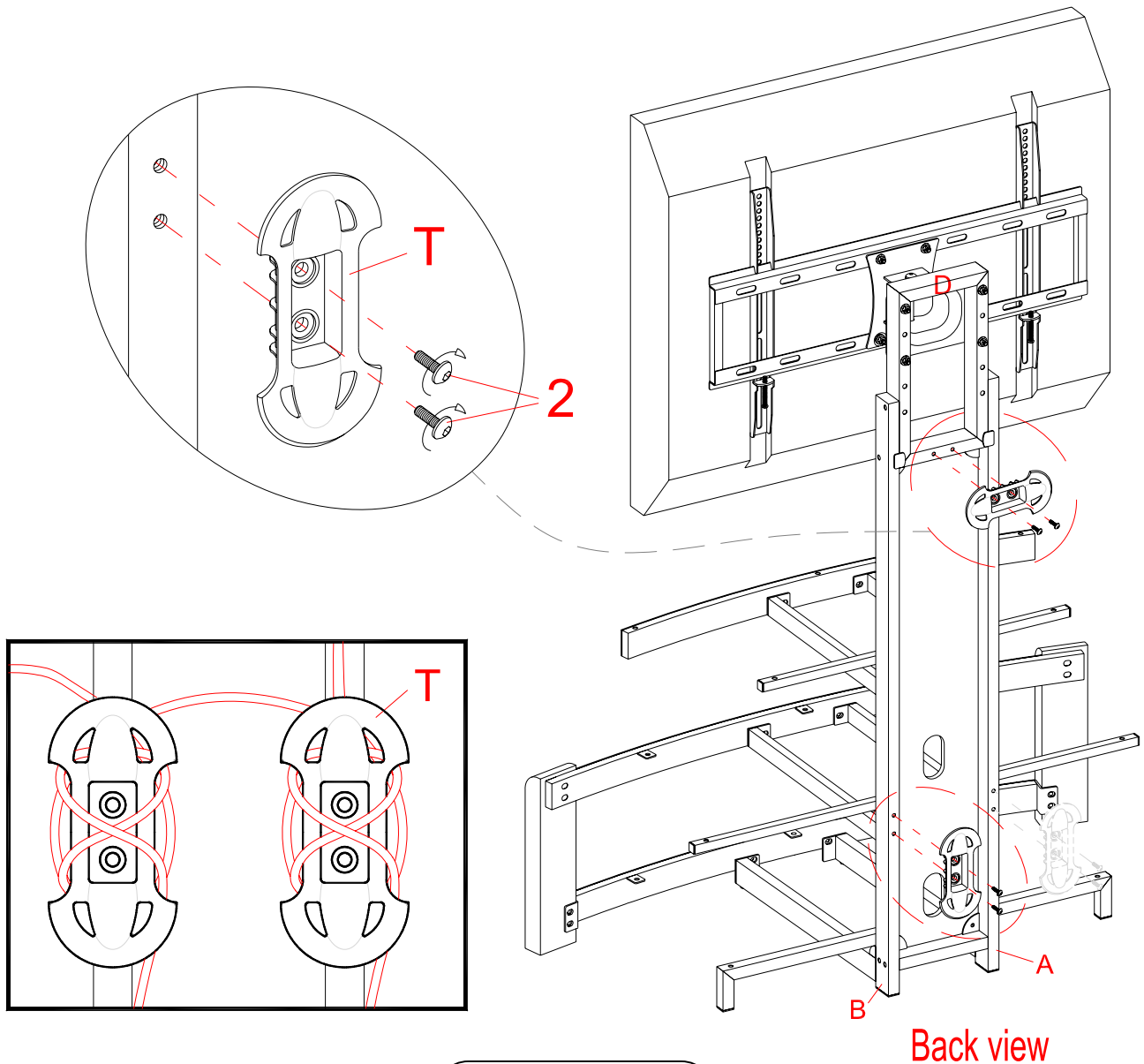
Please call for replacement parts or assistance: 1-866-942-5362

Assembly Instructions



18. Once the Monitor Brackets (S) are attached onto the back of television, ask for assistance to lift the television up to attach the Monitor Brackets onto the Mounting Frame (R). Set the hooks of the Monitor Brackets over the Mounting Frame then lower them onto the bars of the Mounting Frame. Loosen the Safety Bolt pre-attached on the Monitor Brackets to ensure an easy fit at the bottom hooks. Proceed to center the television.

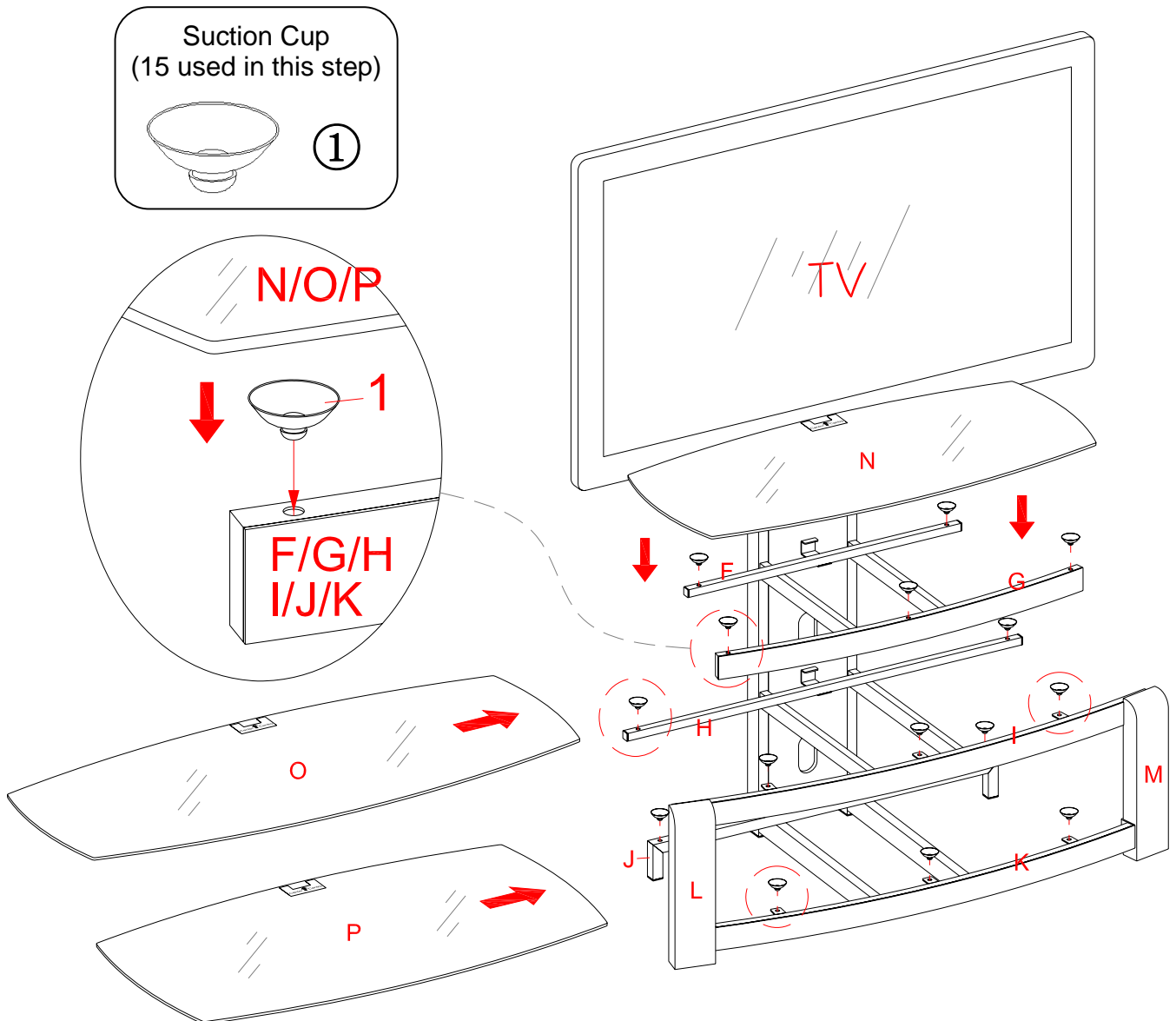
Assembly Instructions



19. Attach 2 Cable Wheels (T) to the backside of the assembled unit with the 5/8" Bolts (2). Tighten the bolts with the enclosed Allen Wrench.

20. The Cable Wheels allow you to organize, route and separate your component cords and cables to minimize tangling and signal interference.

Assembly Instructions

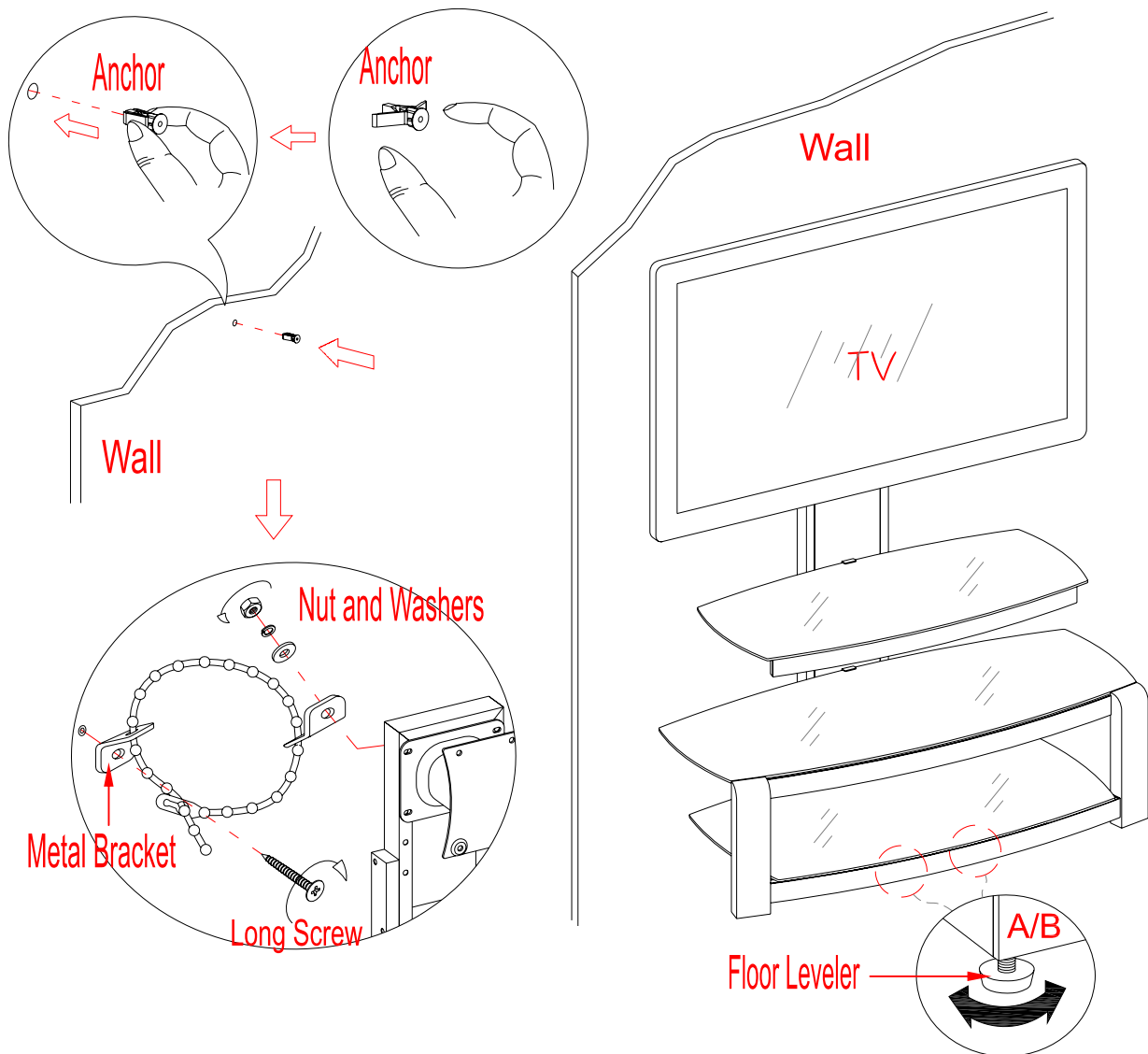


21. Put the Suction Cups (1) firmly into the top holes on the Crossbars (F, G and H) and the Stringers (I, J and K). **TIP:** If a suction cup resists insertion, try pressing down on the middle of the cup with the Allen Wrench while twisting it clockwise into the hole.
22. Set the Glass Shelves (N, O & P) in place, with the black side of the glass shelf down, onto the inserted Suction Cups (1), starting with the Bottom Glass Shelf (P), as shown. Make sure that the arrow on the center sticker on each glass shelf aligns with the center of the Back Panel (C) properly. Push each glass all the way back against the post of the Left & Right Side Frames.

NOTE: If a glass shelf is scratched, you can minimize the damage by using a BLACK marker and filling in scratched area from underneath.

Please call for replacement parts or assistance: 1-866-942-5362

Assembly Instructions



Tools required: Allen Wrench (provided), Phillips screwdriver, Mallet, Power Drill, and 3/8" Drill Bit.

23. Position the assembled console at the desired location against a wall. If necessary, adjust the pre-attached Floor Levelers on the bottom of the Side Frames (A and B) to level the console.
24. Now, follow the instructions printed on the plastic bag containing the Tipping Restraint Hardware to mount the tip-over restraint to the Back Top Frame and the wall.

NOTE: You must install the Tipping Restraint Hardware with the unit to prevent the unit from tipping, causing any accidents or damage to the unit.

25. The console is now ready for use. Swivel the TV left-or-right for optimum viewing control.

Care and Maintenance

- Use a soft, clean cloth that will not scratch the surface when dusting.
- Use of furniture polish is not necessary. Should you choose to use polish, test first in an inconspicuous area.
- Using solvents of any kind on your furniture may damage the finish.
- Never use water to clean your furniture as it may cause damage to the finish.
- Always use coasters under beverage glasses and flowerpots.
- Liquid spills should be removed immediately. Using a soft clean cloth, blot the spill gently. Avoid rubbing.
- Always use protective pads under hot dishes and plates. Heat can cause chemical changes that may create spotting within the furniture finish.
- Stains or marks from crayons or ink markers will be difficult to remove.
- In the event that your furniture is stained or otherwise damaged during use, we recommend that you call a professional to repair your furniture.
- Check bolts/screws periodically and tighten them if necessary.

Further advice about furniture care

It is best to keep your furniture in a climate-controlled environment. Extreme temperature and humidity changes can cause fading, warping, shrinking and splitting of wood. It is advised to keep furniture away from direct sunlight as sun may damage the finish.

Proper care and cleaning at home will extend the life of your purchase. Following these important and helpful tips will enhance your furniture as it ages.

A Touch-up Pen has been provided to repair any small nicks or scratches that may occur during assembly or shipping.

We hope you enjoy your purchase for many years.
Thank you for your purchase!

QUALITY GUARANTEE

We are confident that you will be delighted with your Whalen Furniture purchase.

Should this product be defective in workmanship or materials or fail under normal use, we will repair or replace it for up to one (1) year from the date of purchase. Every Whalen Furniture product is designed to meet your highest expectations. We guarantee that you will immediately see the value of our fine furniture.

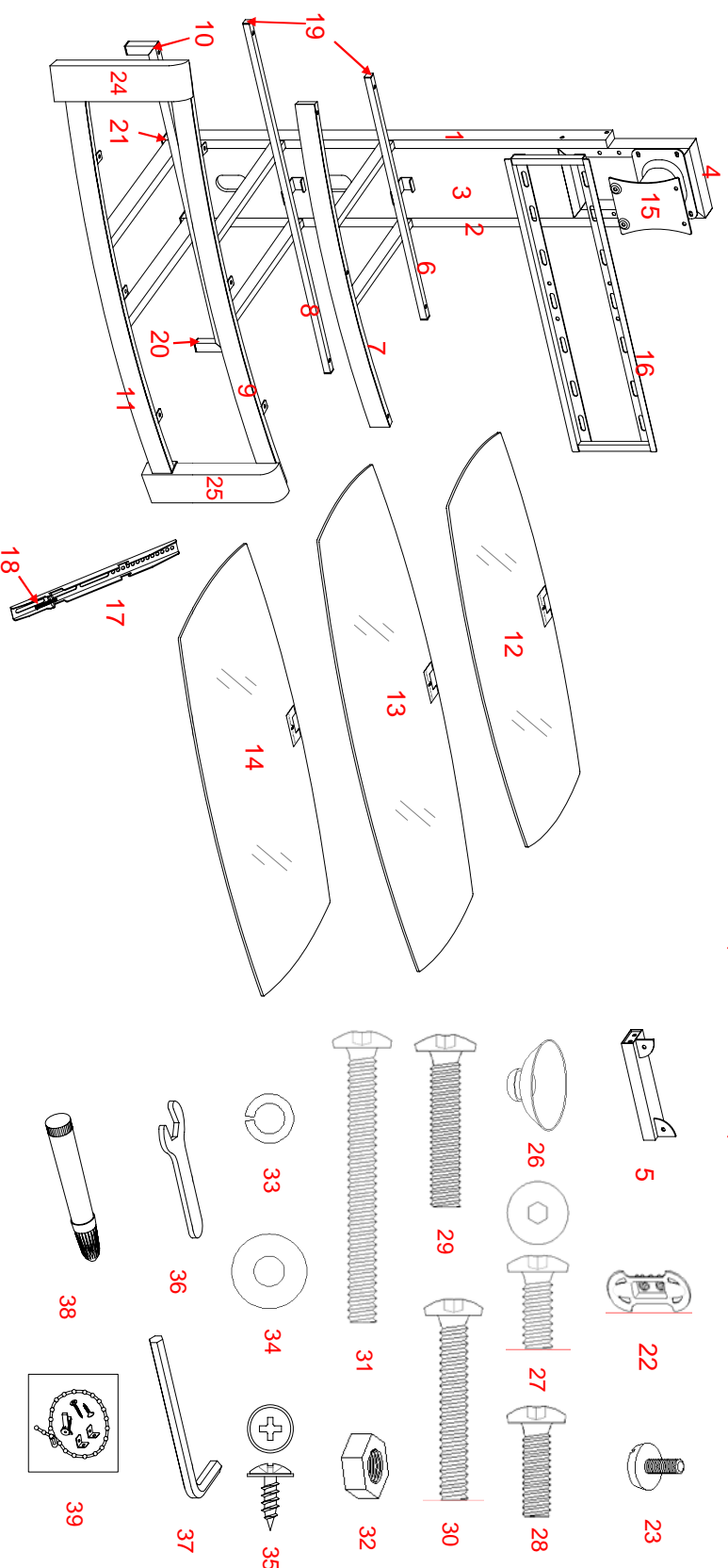
This warranty gives you specific legal rights and you may also have other rights which vary from State to State (province to province).

Customer Service: 1-866-942-5362
8:30 a.m. - 4:30 p.m., PST, Monday to Friday
www.whalenfurniture.com

Please call for replacement parts or assistance: 1-866-942-5362

IF YOU NEED TO ORDER REPLACEMENT PARTS, PLEASE USE THE LIST BELOW

Flat Panel TV Stand (PROEC41-NV)



*PROEC41-NV-1-LSF	Left Side Frame	*PROEC41-NV-15-SB	Swiveling Bracket	*PROEC41-NV-29-1 1/4B	1-1/4" Bolt
*PROEC41-NV-2-RSF	Right Side Frame	*PROEC41-NV-16-MF	Mounting Frame	*PROEC41-NV-30-1 5/8B	1-5/8" Bolt
*PROEC41-NV-3-BP	Back Panel	*PROEC41-NV-17-MB	Monitor Bracket	*PROEC41-NV-31-2 1/4B	2-1/4" Bolt
*PROEC41-NV-4-BTF	Back Top Frame	*PROEC41-NV-18-LB	Lock Bolt	*PROEC41-NV-32-HN	Hex Nut
*PROEC41-NV-5-BBS	Back Bottom Stretcher	*PROEC41-NV-19-SPEC	Small Plastic End Cap (15 x 15 mm)	*PROEC41-NV-33-LW	Lock Washer
*PROEC41-NV-6-TC	Top Crossbar	*PROEC41-NV-20-MPEC	Medium Plastic End Cap (20 x 20 mm)	*PROEC41-NV-34-FW	Flat Washer
*PROEC41-NV-7-TS	Top Stringer	*PROEC41-NV-21-LPEC	Large Plastic End Cap (20 x 40 mm)	*PROEC41-NV-35-#4x10S	#4 x 10 mm Screw
*PROEC41-NV-8-MC	Middle Crossbar	*PROEC41-NV-22-CW	Cable Wheel	*PROEC41-NV-36-OW	Open Wrench
*PROEC41-NV-9-MS	Middle Stringer	*PROEC41-NV-23-FL	Floor Leveler	*PROEC41-NV-37-M4AW	M4 Allen Wrench
*PROEC41-NV-10-BB	Bottom Brace	*PROEC41-NV-24-LFP	Left Front Post	*PROEC41-NV-38-TUP	Touch-up Pen
*PROEC41-NV-11-BS	Bottom Stringer	*PROEC41-NV-25-RFP	Right Front Post	*PROEC41-NV-39-TRHK	Tipping Restraint Hardware Kit
*PROEC41-NV-12-TG	Top Glass	*PROEC41-NV-26-SC	Suction Cup	*PROEC41-NV-TVMK	TV Mounting Kit
*PROEC41-NV-13-MGS	Middle Glass Shelf	*PROEC41-NV-27-5/8B	5/8" Bolt	*PROEC41-NV-CH	Complete Hardware
*PROEC41-NV-14-BGS	Bottom Glass Shelf	*PROEC41-NV-28-3/4B	3/4" Bolt		