

FLECK

SPARE PARTS LIST

CONTENTS

Fleck 5600

Power Head 5600	3
Valve Body	6
Meter	7

Fleck 5600SXT

Power Head 5600SXT	8
5600SXT Spare Parts	9

Fleck 7700

Power Head 7700SXT Filter	11
Power Head 7700SXT	12

Fleck 2750

2750 Spare Parts	14
------------------------	----

Fleck 2850

2850 Spare parts - View 1.....	17
2850 Spare parts - View 2	20
2850 Spare parts - View 3	22

Fleck 2910

2910 Spare Parts	24
Power Head 2910 Adapter	27

Power Head

Power Head 2750 - 2850 - 2910	28
-------------------------------------	----

Fleck 9000

9000 Spare Parts.....	30
-----------------------	----

Fleck 9100

9100 Spare Parts.....	32
-----------------------	----

Fleck 9500

9500 Spare Parts.....	34
-----------------------	----

Power Head

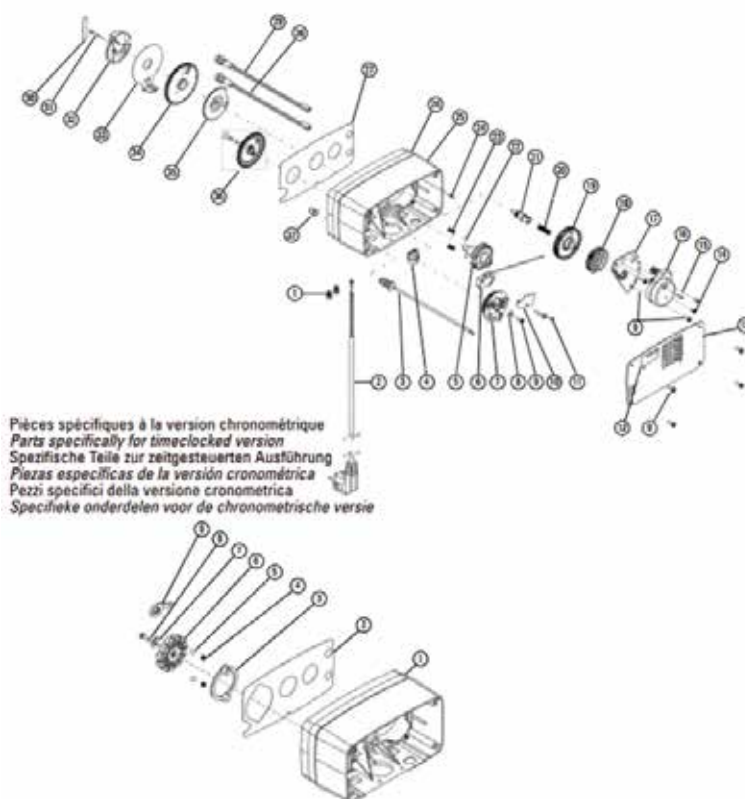
Power Head 9000-9100-9500	36
---------------------------------	----

Timer

Timer	38
-------------	----

FLECK 5600

POWER HEAD 5600



N°	Axapta code	Pentair	Description
1	0401348411	BR40422	Wire Nut Tan
2	0401287619	11545	Power Cord European Black
3	0401157078	24544	Kit Meter Cable Assy 4600/5600/5665 8M ³ Delay
3	0401157079	24545	Kit Meter Cable Assy 5600/5665 40 M ³ Delayed &
4	0401287865	13547-03	Strain Relief 230V
5	0401348202	13170	Main drive gear
6	0401106718	10218	Microswitch assy for 5600
7	0401066611	24121-*	Brine Cam Assy 4600/5600 Down Flow
8	0401348180	12037	Plain Washer
9	0401327939	13296	Screw
10	0401348224	14087	Insulator
11	0401327963	18158	Screw

FLECK 5600

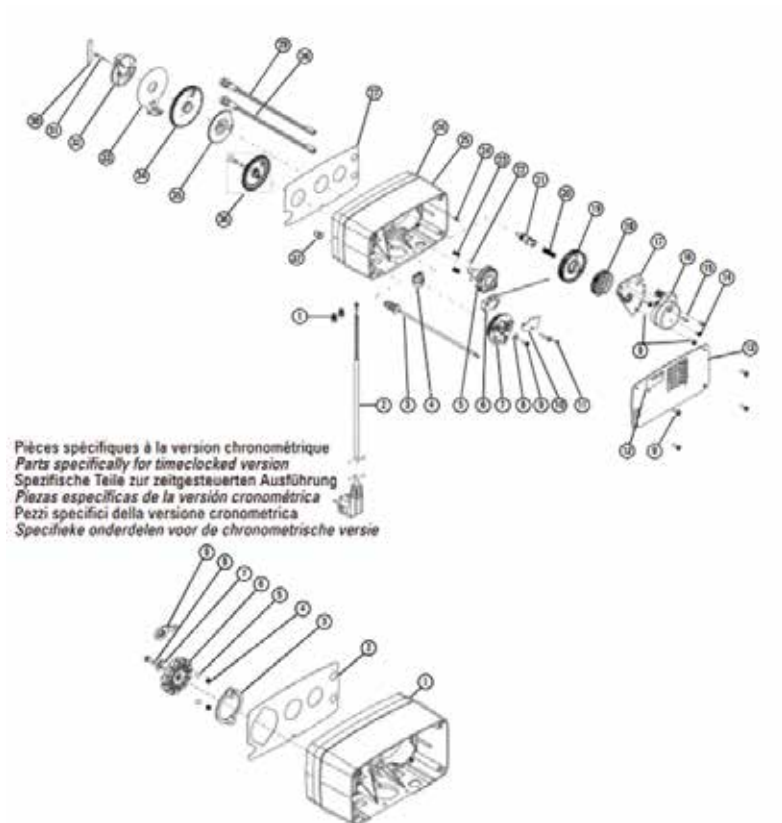
POWER HEAD 5600

N°	Axapta code	Pentair	Description
13	0401096675	13229-BLK	Back cover assy 5600/4600
14	0401321428	26885	Screw
15	0401327924	11384	Motor screw
16	0401177182	26775	Motor 230V 50Hz 1/30 RPM
16	0401177183	26776	Motor 230V 50Hz 1/15 RPM
17	0401348351	23341	Motor mounting plate
18	0401348201	13164	Drive Gear ex 13723
19	0401348198	13017	Idler Gear
20	0401327998	13312	Spring Idler
21	0401348199	13018	Idler Pinion
22	0401348205	13300	Ball ¼" dia
23	0401327999	14457	Spring Detent
24	0401340004	28202	Motor Pin
25	0401026447	13162-02	Black drive housing
28	0401106708	24377	Red lamp 230V
29	0401106709	24378	Green lamp 230V
30	0401146972	24750	Label control knob
31	0401327952	15151	Screw
32	0401348225	14177	Control knob
33	0401348398	26963	Valve dial position picto 5600/4600
34	0401348195	13009-21	24H Gear
35	0401348214	13802	Cycle Actuator Gear
36	0401207437	24119	Program Wheel Assy 8 m ³
36	0401207438	24120	Pgm Wheel Assy 40 m ³
37	0401348227	14252	Out board bearing cap

Footnote: 12,26,27 and 1,2 (Timeclocked version) are not used

FLECK 5600

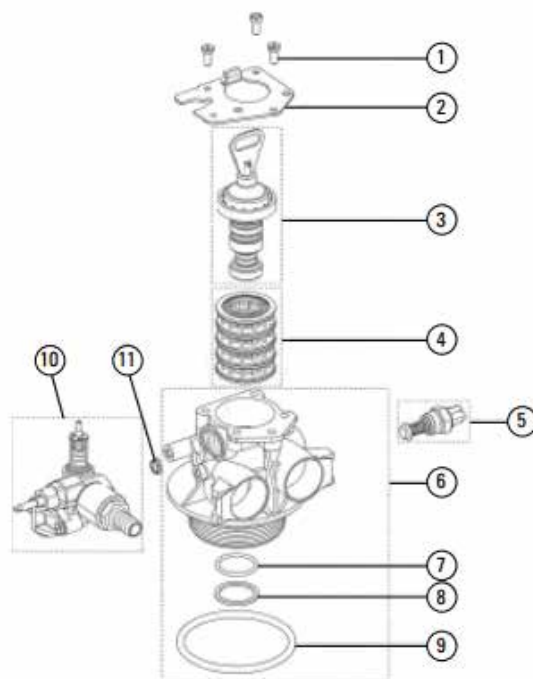
POWER HEAD 5600



N°	Axapta code	Pentair	Description
-	0401197352	18085-VCPHRESID1	Power Head 4600/5600 Fast Regen Eco With Light
-	0401197360	24124-VCPHRESID1	Power Head 4600/5600 Standard Eco With Light
-	0401198260	27878-VCPHRESID1	Power Head 4600/5600 Std Eco With Light 40m ³
3	0401348217	13864	Skipper Wheel Ring
4	0401327997	13311	Idler shaft spring
5	0401348205	13300	Ball ¼" dia
6	0401247561	24100	Skipper wheel 12 days assy
7	0401247555	14860	Skipper wheel 7 days assy
8	0401348197	13014	Regeneration pointer
9	0401327939	13296	Screw
10	0401348196	13011	Cycle actuator arm

FLECK 5600

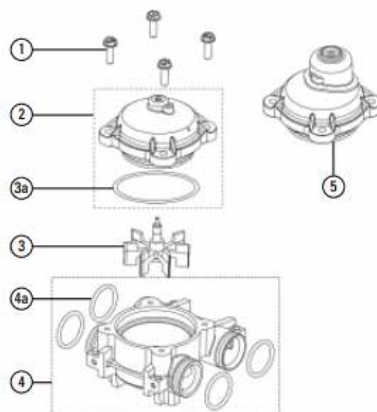
VALVE BODY 5600



N°	Axapta code	Pentair	Description
1	0401327933	12112	Screw
2	0401348210	13546	Plug Retainer
3	0401187223	24116	Piston assembly standard
-	0401187224	24117	Piston LWU assembly
-	0401187218	18089	Piston Fast Regen assembly
4	0401237518	24115	Seal & spacer kit
5	0401167143	24509-01	New proportional mixing
6	0401319907	28405-20	Valve body 5600 with mixing
7	0401327866	13304-01	O'ring
8	0401348200	13030	O-ring Retainer Resid
9	0401327853	12281-01	O-ring Top of Tank 560 CD
10	0401120003	24118	Injector Assy 1600-5600
11	0401348209	13497	Air Disperser
-	0401317770	BU28520-03	Valve Body Assy 5600/1600 1In Lwu

FLECK 5600

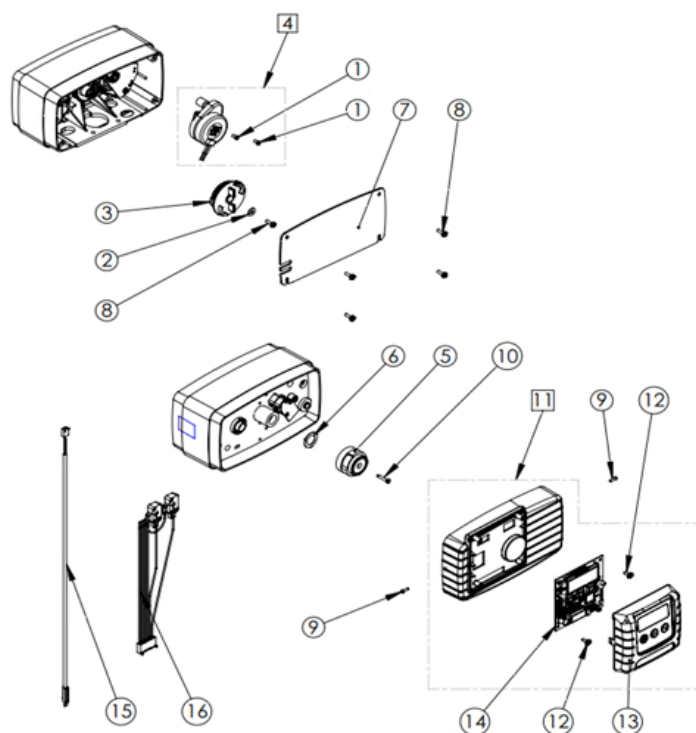
METER 5600



N°	Axapta code	Pentair	Description
1	0401327935	12473	Screw
2	0401157131	14038	Cover Meter Assy Plastic
3A	0401327871	13847	O'ring
3	0401157089	13509	Impeller Meter Except 2" & 3"
4	0401157125	24102	Meter Body Assy ¾" & Ring
4A	0401327867	13305-01	O'ring
5	0401157133	15150	Meter Cover Assy Plastic
-	0401157017	24107	Meter Assy ¾" 8 m ³ Plastic
-	0401157038	25871	Meter Assy ¾" Extended Plastic 90°

FLECK 5600 SXT

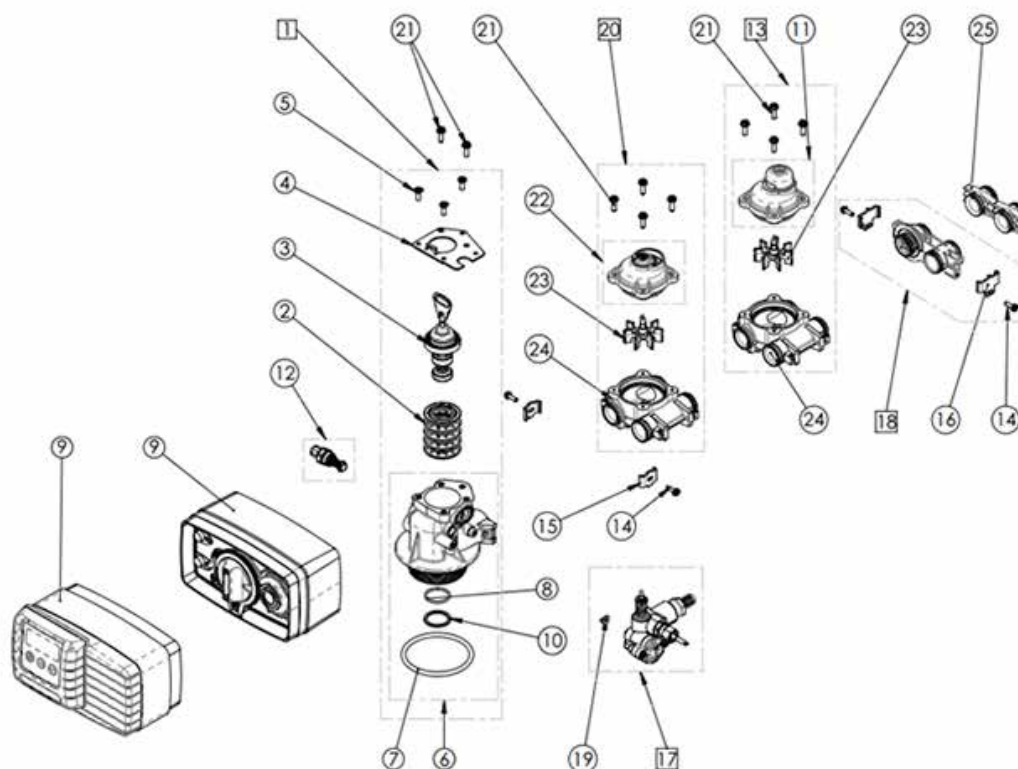
POWER HEAD 5600SXT



N°	Axapta code	Pentair	Description
1	0401327924	11384	Motor screw
2	0401348180	12037	Plain Washer
3	0401066607	18722	Brine Cam 5600 Se/6600(New)/6700 Down Flow
4	0401177160	25329	Timer Motor Assy 24V/50Hz 5600SXT
5	0401066631	17438	Drive Cam Down Flow Black 6700/5600SXT
6	0401348335	19079	Washer Friction
7	0401096675	13229-BLK	Back cover assy 5600/4600
8	0401327939	13296	Screw
9	0401327946	13898	Program Wheel Screw
10	0401327952	15151	Screw
12	0401327959	17020	Screw
13	0401090004	BU28714	Cover Front Panel & Label SXT
14	0401340014	BR43346-E0	Circuit Board SXT
15	0401157070	BR19791-01	Turbine Meter Cable Elec 0,450 m
16	0401100003	BU28600	Wire Harness Power 4600/5000/5600

FLECK 5600 SXT

5600SXT SPARE PARTS



N°	Axapta code	Pentair	Description
1	0401310012	BU28520-01	Valve Body Assy 5600 Filter
1	0401317770	BU28520-03	Valve Body Assy 5600/1600 1In Lwu
2	0401237518	24115	Seal & spacer kit
3	0401187251	27077	Piston Assy 4600 Se/5600 Se/6600/6700 Down Fl
3	0401187232	25593	Piston Assy 6765/Nd Up Flow
4	0401348210	13546	Plug Retainer
5	0401327933	12112	Screw
6	0401319907	28405-20	Valve body 5600 with mixing
6	0401310001	28405-40	Valve body 5600SE & adapter UF with mixing
7	0401327866	13304-01	O'ring
8	0401327853	12281-01	O-ring Top of Tank 560 CD

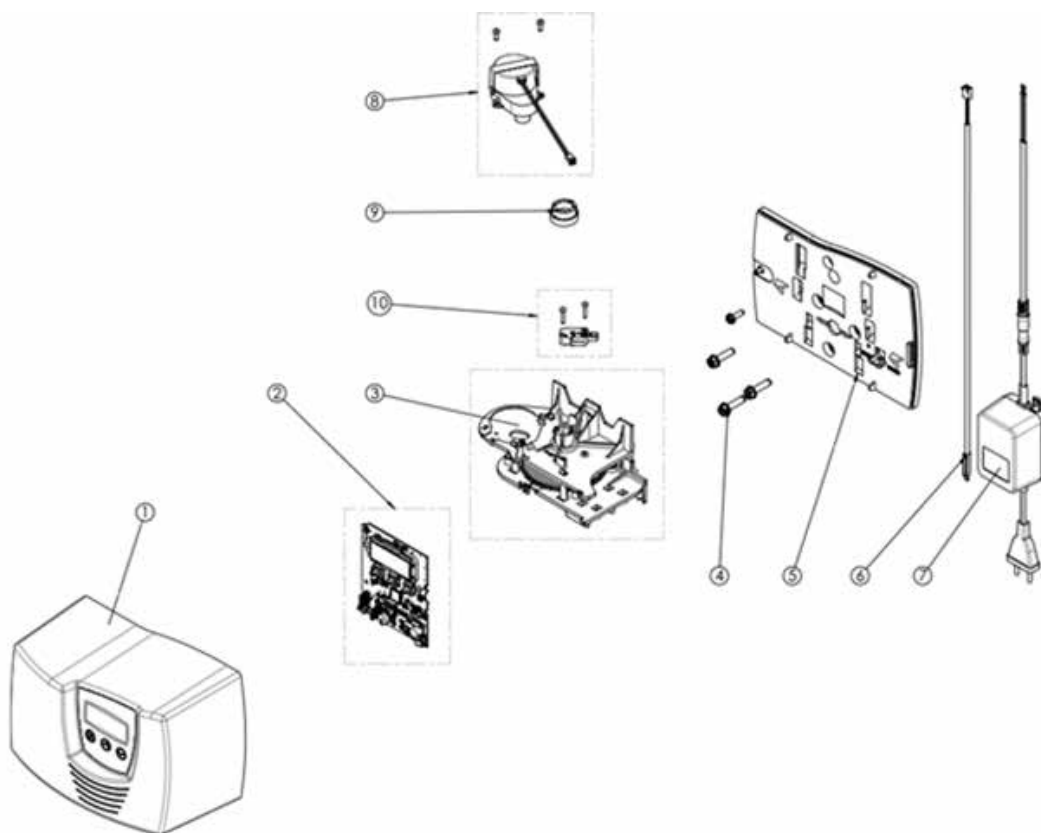
FLECK 5600 SXT

5600SXT SPARE PARTS

N°	Axapta code	Pentair	Description
9	0401190001	Power head56SXT-001	PH 4600/5600 SXT TC
9	0401190001	Power head56SXT-002	PH 4600/5600 SXT TC UF
9	0401190001	Power head56SXT-003	PH 4600/5600 SXT Eco
9	0401190001	Power head56SXT-004	PH 4600/5600 SXT Eco UF
10	0401348200	13030	O-ring Retainer Resid
11	0401157139	BR15659	Meter Cover Assy Plastic Extended 90°
12	0401167143	24509-01	New proportional mixing
13	0401157038	25871	Meter Assy ¾" Extended Plastic 90°
14	0401327948	14202-01	Screw Adapt Clip
15	0401348203	BU13255	Mounting Clip
16	0401348338	BU19569	Clip Flow Meter SXT
17	0401120003	24118	Injector Assy 1600-5600
18	0401157054	60626-01	Meter Assy 3/4In Turbine 2510/4600/5000/5600/
19	0401348209	13497	Air Disperser
20	0401157017	24107	Meter Assy ¾" 8 m ³ Plastic
21	0401327935	12473	Screw
22	0401157131	14038	Cover Meter Assy Plastic
23	0401157089	13509	Impeller Meter Except 2" & 3"
24	0401157125	24102	Meter Body Assy ¾" & Ring
25	0401086643	13709	Coupling Assy 2510/4600/5600

FLECK 7700

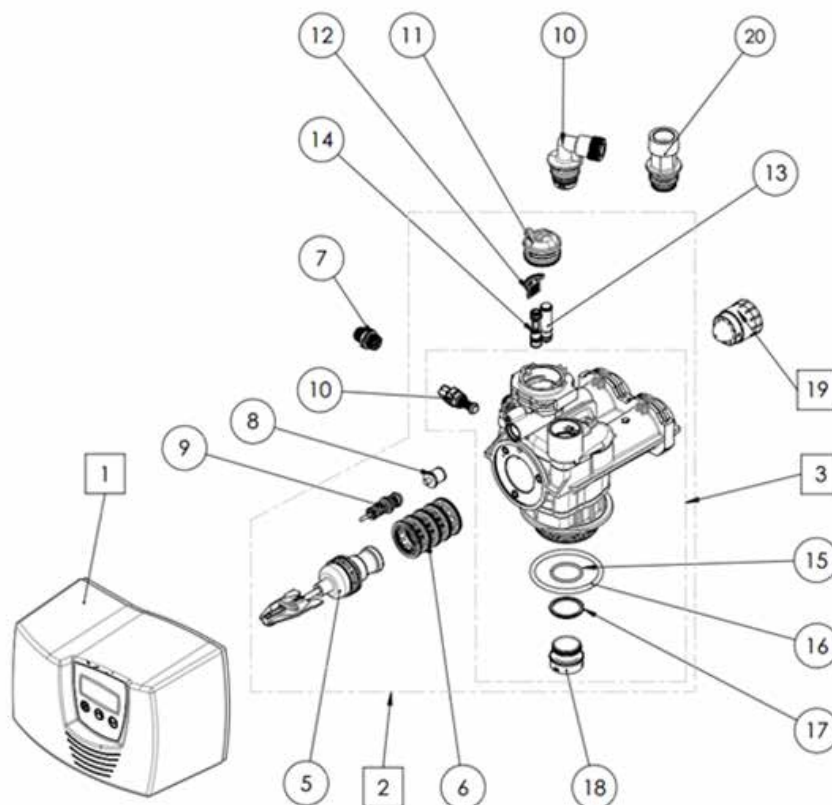
POWER HEAD 7700SXT FILTER



N°	Axapta code	Pentair	Description
1	0401090002	BU28694	Cover Assy SXT 7700
2	0401340015	BR43360-EN	Circuit Board 7700 SXT
3	0401348615	BU28365	Main Gear Assy 7700
4	0401328656	40967	Screw 7700
5	0401028657	40980	Back Plate 7700
6	0401157070	BR19791-01	Turbine Meter Cable Elec 0,450 m
7	0401136188	BU28597-10	Kit Transfo 10 VA 400 mA Resid
8	0401178616	28367	Drive Motor Assy 24V/50Hz
9	0401068652	40704	Brine Cam 7700 Down Flow
9	0401061047	40977	Brine Cam 7700 Filter
10	0401104614	28343	Kit Microswitch Auxiliary 7700

FLECK 7700

POWER HEAD 7700SXT



N°	Axapta code	Pentair	Description
1	0401190017	PH7700-001	Power Head 7700 SXT Filter
1	0401198623	PH7700-002	Power Head 7700 SXT TC
1	0401191733	PH7700-003	Power Head 7700 SXT ECO
2	0401310014	BU28521-01	Valve Body Assy 7700 Filter
2	0401310015	BU28521-02	Valve Body Assy 7700 w/ Mixing
2	0401310016	BU28521-03	Valve Body Assy 7700 HF
3	0401310017	28441	Valve Body 7700 w/ O-ring with Mixing
3	0401310002	28384	Valve Body 7700 w/ O-ring without Mixing
5	0401188680	61453-10	Piston assy 7700 Standard
5	0401181042	61452-10	Piston assy 7700 High Flow
6	0401238679	61438	Seals & spacers Kit 7700 D/F
7	0401038636	28387-0.12	BLFC Assy 3/8" 1600 0.12 gpm 7700
7	0401038637	28387-0.25	BLFC Assy 3/8" 1600 0.25 gpm 7700

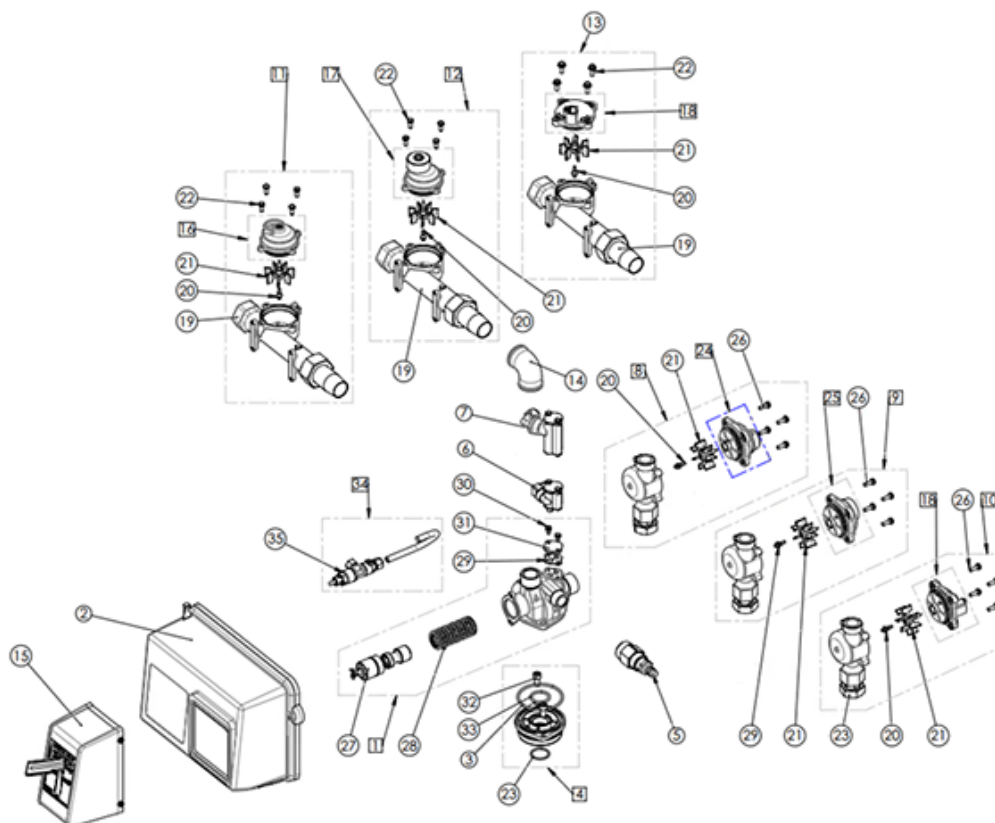
FLECK 7700

POWER HEAD 7700SXT

N°	Axapta code	Pentair	Description
7	0401038638	28387-0.50	BLFC Assy 3/8" 1600 0.50 gpm 7700
7	0401038639	28387-1	BLFC Assy 3/8" 1600 1 gpm 7700
8	0401041043	40947-01	Plug Assy BV 7700
9	0401043422	26575	Brine Valve 1600 Assy 7600/7700
10	0401038625	28385-1.2	DLFC 3/4" 1.2 gpm 7700
10	0401038626	28385-1.5	DLFC 3/4" 1.5 gpm 7700
10	0401038627	28385-2	DLFC 3/4" 2 gpm 7700
10	0401038628	28385-2.4	DLFC 3/4" 2.4 gpm 7700
10	0401038629	28385-3	DLFC 3/4" 3 gpm 7700
10	0401038630	28385-3.5	DLFC 3/4" 3.5 gpm 7700
10	0401038631	28385-4	DLFC 3/4" 4 gpm 7700
10	0401038632	28385-5	DLFC 3/4" 5 gpm 7700
10	0401038633	28385-7	DLFC 3/4" 7 gpm 7700
11	0401128618	28370	Injector Cover assy 7700
12	0401128653	40950	Screen Inj 7700
13	0401121046	40990-01	Inj Plug Assy 7700
14	0401121046	40990-01	Inj Plug Assy 7700
14	0401128681	61454-0	Injector Assy 1600 7700 # 0
14	0401128345	61454-1	Injector Assy 1600 7700 # 1
14	0401128682	61454-2	Injector Assy 1600 7700 # 2
14	0401128683	61454-3	Injector Assy 1600 7700 # 3
14	0401128684	61454-4	Injector Assy 1600 7700 # 4
14	0401128685	61454-5	Injector Assy 1600 7700 # 5
15	0401327900	19054	O-ring
16	0401327895	18303-01	O'Ring Top of Tank 9100 - 5000 - 7700
17	0401345196	40538	Retainer Tank Seal
18	0401341384	61419	Kit 1.05" Distrib Adapt
19	0401158651	40577	Meter Assy 1 1/4" Elec 7700
20	0401038635	28386-ALL	DLFC Kit 1" 7700 10 to 25 gpm

FLECK 2750

2750 SPARE PARTS



N°	Axapta code	Pentair	Description
1	0401310011	BU28513-01	Valve Body Assy 2750/2900
3	0401327851	11710-01	Adapt O-ring 560 CD
4	0401267579	24962	Tank Adapt Assy 2750
5	0401036507	24212	DLFC 3/4" 1.2 To 7 Gpm 2750/2900 (Specify Size)
6	0401126809	24199	Injector Assy 1600 2750/2850/2900/2910
6	0401121472	24555-0	Injector Assy 1600 Hot Water
7	0401126808	24173	Injector Assy 1700/1710
8	0401157028	24249	Meter Assy 3/4" 40 m ³ 2750
9	0401157030	24250	Meter Assy 3/4" 8 m ³ 2750
10	0401157042	26820	Meter Assy 3/4" Electronic 2750
11	0401157022	24197	Meter Assy 1" 100 m ³
12	0401157023	24198	Meter Assy 1" 20 m ³
13	0401157008	18391	Meter Assy 1" Electronicronic

FLECK 2750

2750 SPARE PARTS

N°	Axapta code	Pentair	Description
14	0401327829	23748	Elbow Female 1"x 1" Meter 2750
15	0401197283	18046	Power Head 2510/2750/2850 Manual Filter
16	0401157134	15218	Cover Meter Assy Brass
17	0401157136	15237	Meter Cover Assy Brass Extended
18	0401157142	18330	Meter Cover Assy Electronic Plastic
19	0401157099	14959-20	Meter Body 1" Indus
20	0401157091	13882	Impeller Post for 13509
21	0401157089	13509	Impeller Meter Except 2" & 3"
22	0401327926	11737	Screw
23	0401327866	13304-01	O'ring
24	0401157133	15150	Meter Cover Assy Plastic
25	0401157131	14038	Cover Meter Assy Plastic
26	0401327935	12473	Screw
27	0401187220	24067	Piston Assy 2510/2750/2900 Std & Hot Water
28	0401237521	28415	Seals & Spacer Kit 2510/2750/2900
28	0401237522	BU28414	Seals and spacers Kit 2750/2900/2910 Upper Hot Water
29	0401348350	23304	Injector Body Gasket
30	0401327985	24874	Screw
31	0401126840	BR11893	Injector Flat Cover
32	0401327974	21361	Screw
33	0401327848	11208-01	Adapt O-ring 560 CD 2750/2900/2910
34	0401046575	26909	Brine valve 1600 Assy 2750NBP/2850
34	0401040689	24994	Brine valve 1600 Assy 2750 WBP/2910 Hot Water
34	0401043346	26680	Brine valve 1650 2750/2910 WBP Assy
34	0401040017	BU28797	Brine valve 1650 Assy 2750NBP/2850/2910
34	0401046577	26991	Brine valve 1700 Assy 2750 NBP/2850 WBP/ 2910
34	0401040001	BU28607	Brine valve 1710 2750 WBP
35	0401046551	18092	Kit Brine valve 1600 & BLFC Assy Indus
35	0401040015	26677-0.50	Kit brine Valve 1650 assy 0.50 GPM

FLECK 2750

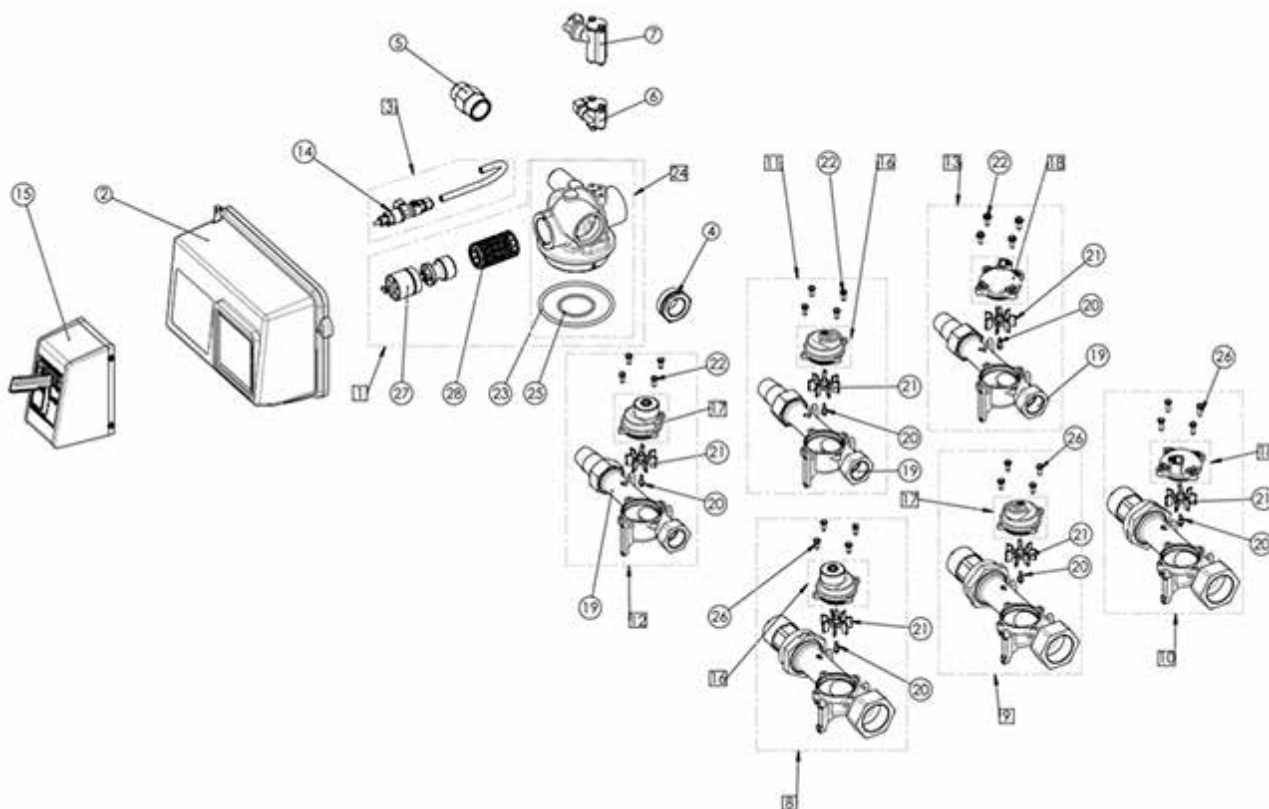
2750 SPARE PARTS

N°	Axapta code	Pentair	Description
35	0401040016	26677-1	Kit Brine Valve 1650 assy 1 GPM
35	0401046559	24181	Brine Valve 1700 Assy 2750/2850/2900
35	0401041456	28423-1.2	Brine valve 1710 except 9500 1.2GPM
35	0401045078	28423-1.5	Brine valve 1710 except 9500 1.5GPM
35	0401045079	28423-2	Brine valve 1710 except 9500 2GPM
35	0401045080	28423-2.4	Brine valve 1710 except 9500 2.4GPM
35	0401045081	28423-3	Brine valve 1710 except 9500 3GPM
35	0401045082	28423-4	Brine valve 1710 except 9500 4GPM
35	0401045083	28423-5	Brine valve 1710 except 9500 5GPM
35	0401045085	28423-7	Brine valve 1710 except 9500 7GPM

Footnote: 2. Power Head 2510/2750/2850/2910 See VC Sub-assemblies section

FLECK 2850

2850 SPARE PARTS - VIEW 1



N°	Axapta code	Pentair	Description
1	0401317719	BU28514-01	Valve body Assy 2850
	0401197320	306001-VCPower headINDUS1	Power Head 2510/2750/2850 Mechanical Down flow without Timer
	0401197324	306005-VCPower headINDUS1	Power Head 2510/2750/2850 SXT downflow with Timer
	0401197326	306007-VCPower headINDUS1	Power Head 2510/2750/2850 ET downflow with Timer
3	0401046575	26909	Brine Valve 1600 Assy 2750NBP/2850
3	0401040011	BU28796	Brine Valve 1650 Assy 2850 NBP
3	0401040017	BU28797	Brine valve 1650 Assy 2750NBP/2850/2910
3	0401046578	26992	Brine Valve 1700 Assy 2850 NBP
3	0401046577	26991	Brine valve 1700 Assy 2750 NBP/2850 WBP/ 2910
3	0401040002	BU28610	Brine Valve 1710 2750 NBP/2850 WBP/2910
4	0401348377	24991	Reducer Nipple 1 1/2" to 1" Female
5	0401036510	25581	DLFC Kit 1" 2850/9500 10 to 25 gpm

FLECK 2850

2850 SPARE PARTS - VIEW 1

N°	Axapta code	Pentair	Description
6	0401126809	24199	Injector Assy 1600 2750/2850/2900/2910
7	0401126808	24173	Injector Assy 1700/1710
8	0401157004	18059	Meter Assy 1 ½" 200 m ³
9	0401157002	18058	Meter Assy 1 ½" 40 m ³
10	0401157049	28076	Meter Assy 1 ½" Electronic 9500
11	0401157022	24197	Meter Assy 1" 100 m ³
12	0401157023	24198	Meter Assy 1" 20 m ³
13	0401157008	18391	Meter Assy 1" Electronicronic
14	0401046551	18092	Kit Brine valve 1600 & BLFC Assy Indus
14	0401040017	BU28797	Brine valve 1650 Assy 2750NBP/2850/2910
14	0401046559	24181	Brine Valve 1700 Assy 2750/2850/2900
14	0401041456	28423-1.2	Brine valve 1710 except 9500 1.2GPM
14	0401045079	28423-2	Brine valve 1710 except 9500 2GPM
14	0401045082	28423-4	Brine valve 1710 except 9500 4GPM
14	0401045085	28423-7	Brine valve 1710 except 9500 7GPM
15	0401197283	18046	Power Head 2510/2750/2850 Manual Filter
16	0401157134	15218	Cover Meter Assy Brass
17	0401157136	15237	Meter Cover Assy Brass Extended
18	0401157142	18330	Meter Cover Assy Electronic Plastic
19	0401157099	14959-20	Meter Body 1" Indus
20	0401157091	13882	Impeller Post for 13509
21	0401157089	13509	Impeller Meter Except 2" & 3"
22	0401327926	11737	Screw
23	0401327889	16455-01	O-ring Top of Tank 560 CD 2850 - 9500
25	0401327869	13577-01	O-ring 560 CD Distrib Tube 2910/2850/9500
26	0401327935	12473	Screw
27	0401187239	26494-00	Piston Assy 2850 NBP
27	0401187231	25155	Piston Assy 2850 Standard & Hot Water

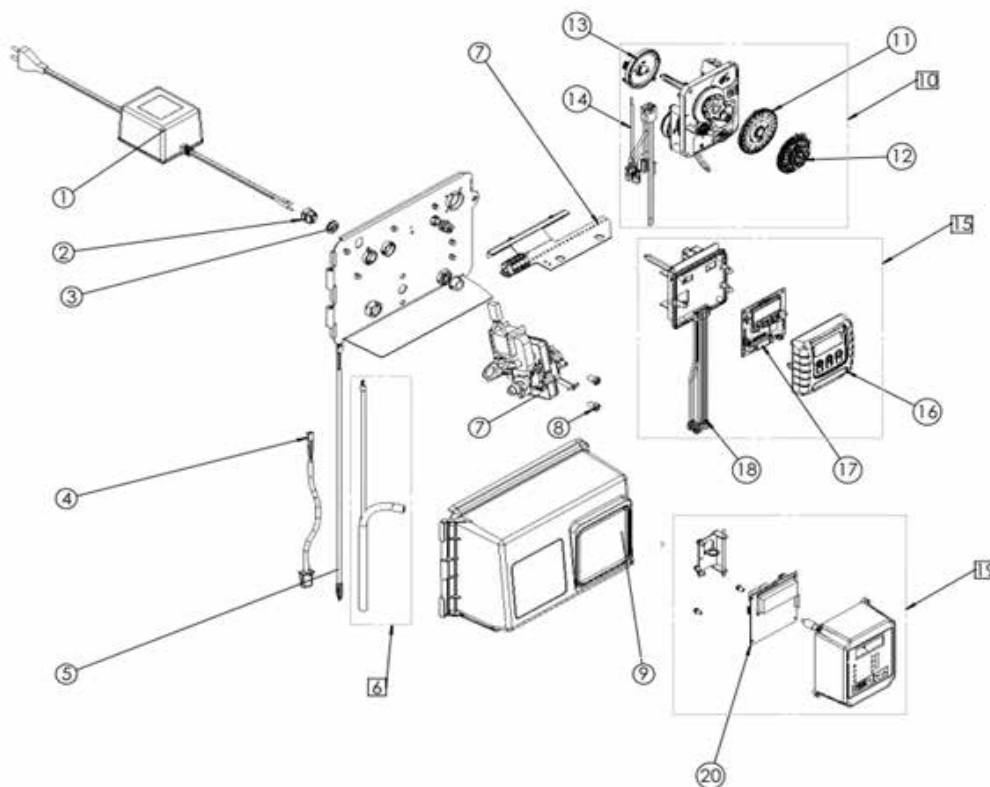
FLECK 2850

2850 SPARE PARTS - VIEW 1

N°	Axapta code	Pentair	Description
28	0401237524	25156	Seals and spacers Kit 2850 Standard & hot water
29	0401348350	23304	Injector Body Gasket
30	0401327985	24874	Screw
31	0401126840	BR11893	Injector Flat Cover

FLECK 2850

2850 SPARE PARTS - VIEW 2



N°	Axapta code	Pentair	Description
1	0401287625	26260	Transfo 60VA
1	0401287619	11545	Power Cord European Black
2	0401287620	13547	Strain Relief 24V
4	0401150002	19121-01	Meter Cable SE/SXT 0,450 m
6	0401156996	25350	Guide Cable & Cable Assy 2850 1"
6	0401157000	27105	Guide Cable & Cable Assy 2850 1 1/2"
7	0401177166	27204-01	Drive Motor Assy 2750/2850 Down flow 24V
8	0401327912	10231	Screw Hex Head Indus
9	0401096658	26217-01	Cover Assy Grey - Clear Window
11	0401348195	13009-21	24H Gear
12	0401247555	14860	Skipper wheel 7 days assy
12	0401247561	24100	Skipper wheel 12 days assy
12	0401207437	24119	Program Wheel Assy 8 m ³

FLECK 2850

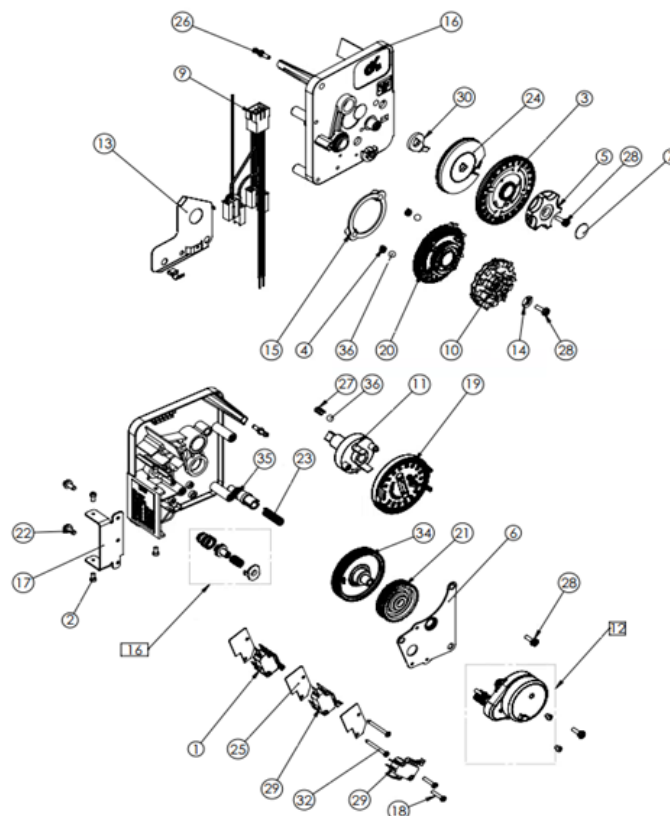
2850 SPARE PARTS - VIEW 2

N°	Axapta code	Pentair	Description
12	0401207438	24120	Pgm Wheel Assy 40 m ³
12	0401207441	24537	Program Wheel Assy 100 m ³
12	0401207442	24538	Program Wheel Assy 20 m ³
12	0401207447	BU25028	Program Wheel Assy 200 m ³ 2850/2900/2910
13	0401207457	24201	Program Wheel Assy 160 min
13	0401207456	24200	Program Wheel Assy 160 min 3200/3210
14	0401106735	15203	Harness Timer 9000/ 9500
16	0401277596	BU28712-01	Timer Assy SXT 2750/2850/2910 Down Flow
16	0401090004	BU28714	Cover Front Panel & Label SXT
17	0401340014	BR43346-E0	Circuit Board SXT
18	0401100003	BU28600	Wire Harness Power 4600/5000/5600
19	0401110005	BU28713	Timer Assy NXT
19	0401277597	27724-01	Timer 3200 ET Indus Down flow
20	0401340002	BU28529	Circuit Board 3200 ET
20	0401340011	BR61702-03	Circuit Board NXT
-	0401106770	28008	Harness Pulse Timer 3230
-	0401106777	40400	Harness Motor ex 11667
-	0401348411	BR40422	Wire Nut Tan
-	0401101664	40941	Harness Upper Drive NXT

Footnote: 5. NVT

FLECK 2850

2850 SPARE PARTS - VIEW 3



N°	Axapta code	Pentair	Description
1	0401106719	10896	Microswitch
1	0401106722	15314	Microswitch Timer
2	0401327924	11384	Motor screw
3	0401348195	13009-21	24H Gear
4	0401327997	13311	Idler shaft spring
5	0401348222	13886	Knob Timer
6	0401177193	13887	Plate Motor Mounting
7	0401146953	13953	Label Cover Screw Black
9	0401106730	13902	Harness Timer 3200
9	0401106735	15203	Harness Timer 9000/ 9500
10	0401247561	24100	Skipper wheel 12 days assy
10	0401247555	14860	Skipper wheel 7 days assy
11	0401348223	13911	Main Drive Gear

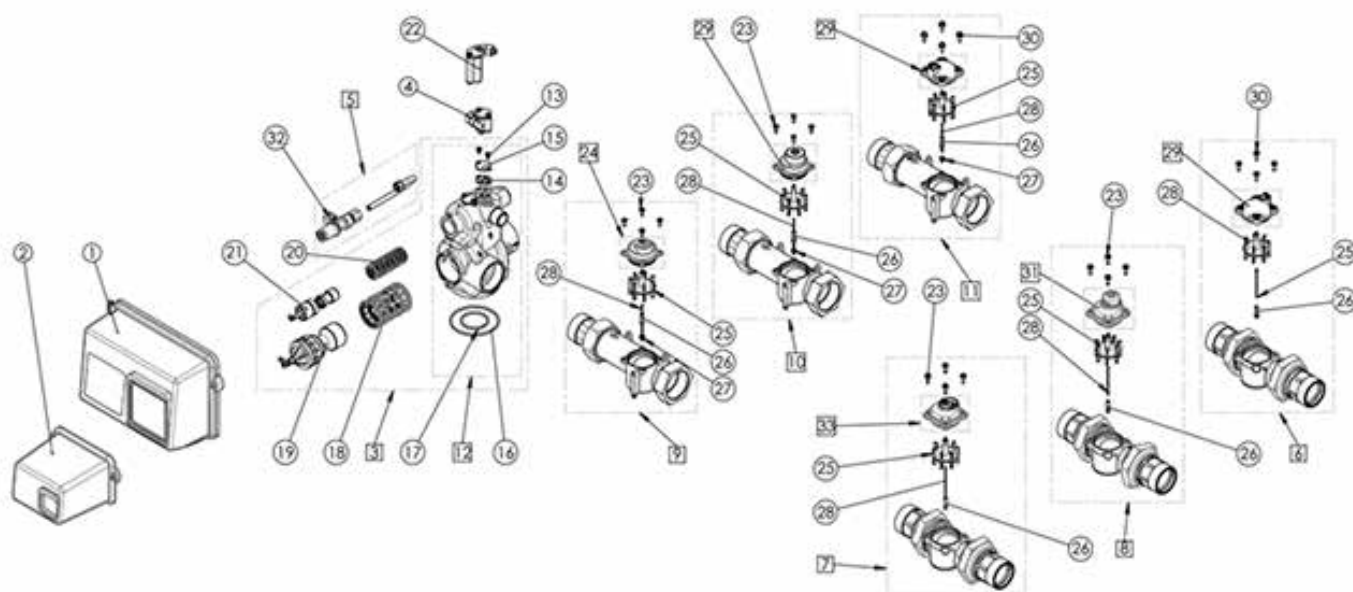
FLECK 2850

2850 SPARE PARTS - VIEW 3

N°	Axapta code	Pentair	Description
-	0401177185	26778	Timer Motor Assy 24V/50Hz 1/30 RPM
13	0401348244	15227	Plate Clutch Actuator
14	0401348197	13014	Regeneration pointer
15	0401348217	13864	Skipper Wheel Ring
17	0401348221	13881	Timer Hinge Bracket
18	0401327971	BU21099	Screw terminal strip
19	0401207456	24200	Program Wheel Assy 160 min 3200/3210
19	0401207457	24201	Program Wheel Assy 160 min
20	0401207437	24119	Program Wheel Assy 8 m ³
20	0401207442	24538	Program Wheel Assy 20 m ³
20	0401207438	24120	Pgm Wheel Assy 40 m ³
20	0401207441	24537	Program Wheel Assy 100 m ³
21	0401348386	25803	Drive Gear Timer
22	0401327913	10300	Timer Screw
23	0401327998	13312	Spring Idler
24	0401348214	13802	Cycle Actuator Gear
25	0401348224	14087	Insulator
26	0401348229	14265	Clip Spring Timer
27	0401327999	14457	Spring Detent
28	0401327939	13296	Screw
29	0401106723	BR15320	Microswitch
30	0401348253	15431	Cycle Actuator Gear Timer
31	0401348411	BR40422	Wire Nut Tan
32	0401327925	BU11413	Screw Pan Head 4.4x11/8
33	0401348196	13011	Cycle actuator arm
34	0401348198	13017	Idler Gear
35	0401348199	13018	Idler Pinion
36	0401348205	13300	Ball ¼" dia

FLECK 2910

2910 SPARE PARTS



N°	Axapta code	Pentair	Description
1	0401197327	306008/0- VCPower head- INDUS1	Power Head 2910 ET Up Flow Timeclock
1	0401197329	306010/0- VCPower head- INDUS1	Power Head 2910 Up Flow no Timer
1	0401197330	306011/0- VCPower head- INDUS1	Power Head 2910 Down Flow no Timer - Pulse
1	0401197331	306012/0- VCPower head- INDUS1	Power Head 2910 Up Flow no Timer - Pulse
1	0401197332	306013 - VCPower head- INDUS1	Power Head 2910 SXT Down flow With Timer
1	0401197333	306014/0- VCPower head- INDUS1	Power Head 2910 Up Flow SXT Timeclock
1	0401191294	306018/VCPow- er headINDUS1	POWER HEAD 2750/2850/2910 NXT Down flow
3	0401310005	BU28515-01	VB Assy 2910 Down flow

FLECK 2910

2910 SPARE PARTS

N°	Axapta code	Pentair	Description
3	0401310006	BU28515-02	VB Assy 2910 Down flow/NBP
3	0401310007	BU28515-05	VB Assy 2910 Up flow
3	0401310009	BU28515-06	VB Assy 2910 Up flow/NBP
4	0401126809	24199	Injector Assy 1600 2750/2850/2900/2910
4	0401126825	26840	Injector Assy 1600 2750/2910 UF
5	0401040017	BU28797	Brine valve 1650 Assy 2750NBP/2850/2910
5	0401046575	26909	Brine valve 1600 Assy 2750NBP/2850
5	0401040002	BU28610	Brine Valve 1710 2750 NBP/2850 WBP/2910
5	0401040689	24994	Brine valve 1600 Assy 2750 WBP/2910 Hot Water
5	0401040014	BU28807	Brine Valve 1650 assy 2910 UF
5	0401046577	26991	Brine valve 1700 Assy 2750 NBP/2850 WBP/ 2910
6	0401157053	60625-10	Meter Assy 2" Electronic Plastic
7	0401157051	60620-10	Meter Assy 2" 75 m ³ Plastic
8	0401157052	60621-10	Meter Assy 2" 375 m ³ Plastic
9	0401157018	24148	Meter Assy 2" 75 m ³
10	0401157020	24149	Meter Assy 2" 375 m ³
11	0401157012	18393	Meter Assy 2" Electronic
12	0401310004	28411	VB 2910 w/ O-ring
13	0401327985	24874	Screw
15	0401126840	BR11893	Injector Flat Cover
16	0401327868	13575-01	O-ring 560 CD Top of Tank
17	0401327869	13577-01	O-ring 560 CD Distrib Tube 2910/2850/9500
18	0401237519	24205	Seals and spacers Kit 2900/2910 Lower
18	0401237528	26107	Seals and spacers Kit 2900/2910 Lower Hot Water
19	0401185606	BU28412	Piston Assy Lower 2900/2910
19	0401185607	BU28413	Piston Assy Lower 2900/2910 NBP
20	0401237521	28415	Seals & Spacer Kit 2510/2750/2900
20	0401237522	BU28414	Seals and spacers Kit 2750/2900/2910 Upper Hot Water

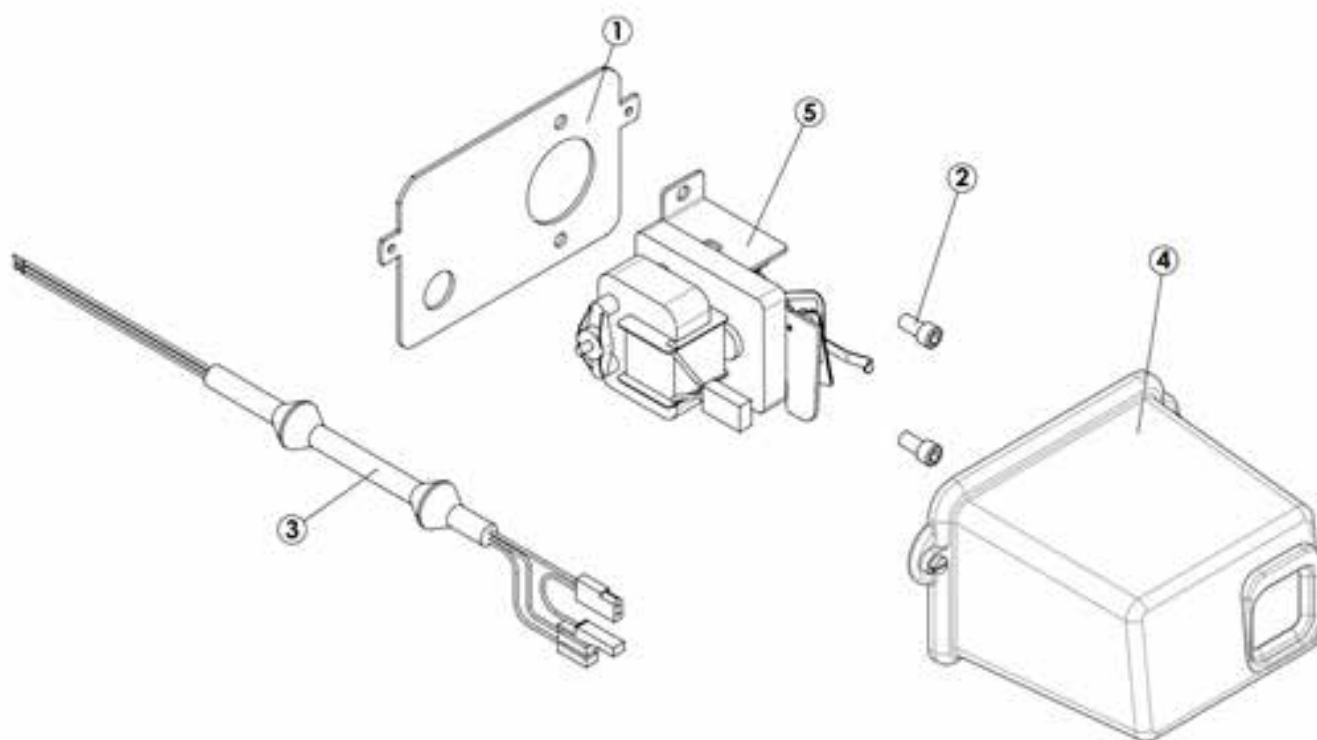
FLECK 2910

2910 SPARE PARTS

N°	Axapta code	Pentair	Description
21	0401185605	28417	Piston Assy 2910 Upper UF
21	0401185604	28416	Piston Assy 2910 Upper
22	0401126808	24173	Injector Assy 1700/1710
22	0401126826	26841	Injector Assy 1700/1710 UF
22	0401121571	28422-6	Injector Assy 1710 2910 #6C
22	0401121471	28422-7	Injector Assy 1710 2910 #7C
23	0401327926	11737	Screw
24	0401157134	15218	Cover Meter Assy Brass
25	0401157108	BR15374	Impeller 2"
26	0401157109	BR15432	Impeller Shaft for Impeller 15374-01
28	0401157110	15532	Impeller Shaft Bearing
29	0401157142	18330	Meter Cover Assy Electronic Plastic
30	0401327935	12473	Screw
31	0401157136	15237	Meter Cover Assy Brass Extended
32	0401046551	18092	Kit Brine valve 1600 & BLFC Assy Indus
32	0401040015	26677-0.50	Kit brine Valve 1650 assy 0.50 GPM
32	0401040016	26677-1	Kit Brine Valve 1650 assy 1 GPM
32	0401046559	24181	Brine Valve 1700 Assy 2750/2850/2900
32	0401041456	28423-1.2	Brine valve 1710 except 9500 1.2GPM
32	0401045078	28423-1.5	Brine valve 1710 except 9500 1.5GPM
32	0401045079	28423-2	Brine valve 1710 except 9500 2GPM
32	0401045080	28423-2.4	Brine valve 1710 except 9500 2.4GPM
32	0401045081	28423-3	Brine valve 1710 except 9500 3GPM
32	0401045082	28423-4	Brine valve 1710 except 9500 4GPM
32	0401045083	28423-5	Brine valve 1710 except 9500 5GPM
32	0401045085	28423-7	Brine valve 1710 except 9500 7GPM
33	0401157131	14038	Cover Meter Assy Plastic

FLECK 2910

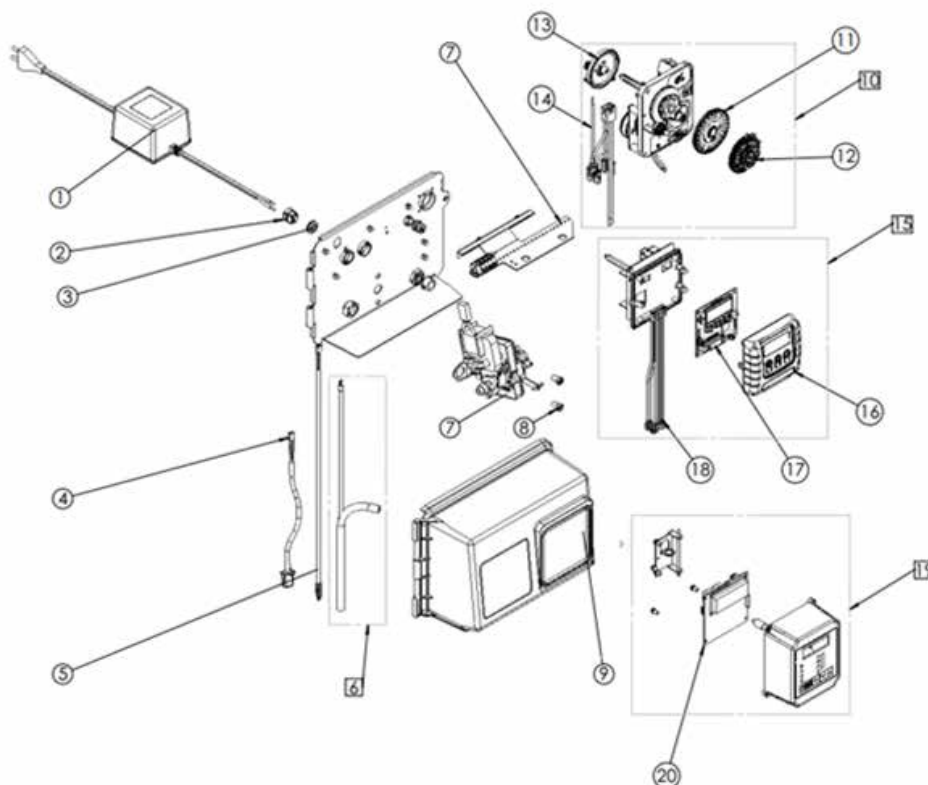
POWER HEAD 2910 ADAPTER



N°	Axapta code	Pentair	Description
1	0401026442	18709-50	Back Plate 2900/2910 Lower
2	0401327974	21361	Screw
3	0401106778	BR42446	Harness Lower Drive (ex 40405)
3	0401100006	40943	Harness 3200NT Lower
4	0401096659	26218-01	Cover Assy 2900/2910 Lower Grey
5	0401177148	18357-01	Motor Assy 2910 Adapt 24V

POWER HEAD

POWER HEAD 2750-2850-2910



N°	Axapta code	Pentair	Description
1	0401287625	26260	Transfo 60VA
1	0401287619	11545	Power Cord European Black
2	0401287620	13547	Strain Relief 24V
4	0401150002	19121-01	Meter Cable SE/SXT 0,450 m
6	0401156994	25348	Guide Cable & Cable Assy 2750 ¾"
6	0401156995	25349	Guide Cable & Cable Assy 2750 1"
6	0401156996	25350	Guide Cable & Cable Assy 2850 1"
6	0401157000	27105	Guide Cable & Cable Assy 2850 1 ½"
6	0401156997	25351	Guide Cable & Cable Assy
7	0401177166	27204-01	Drive Motor Assy 2750/2850 Down flow 24V
7	0401177169	40388	Drive Motor Assy 2910 Down flow 24V
8	0401327912	10231	Screw Hex Head Indus

POWER HEAD

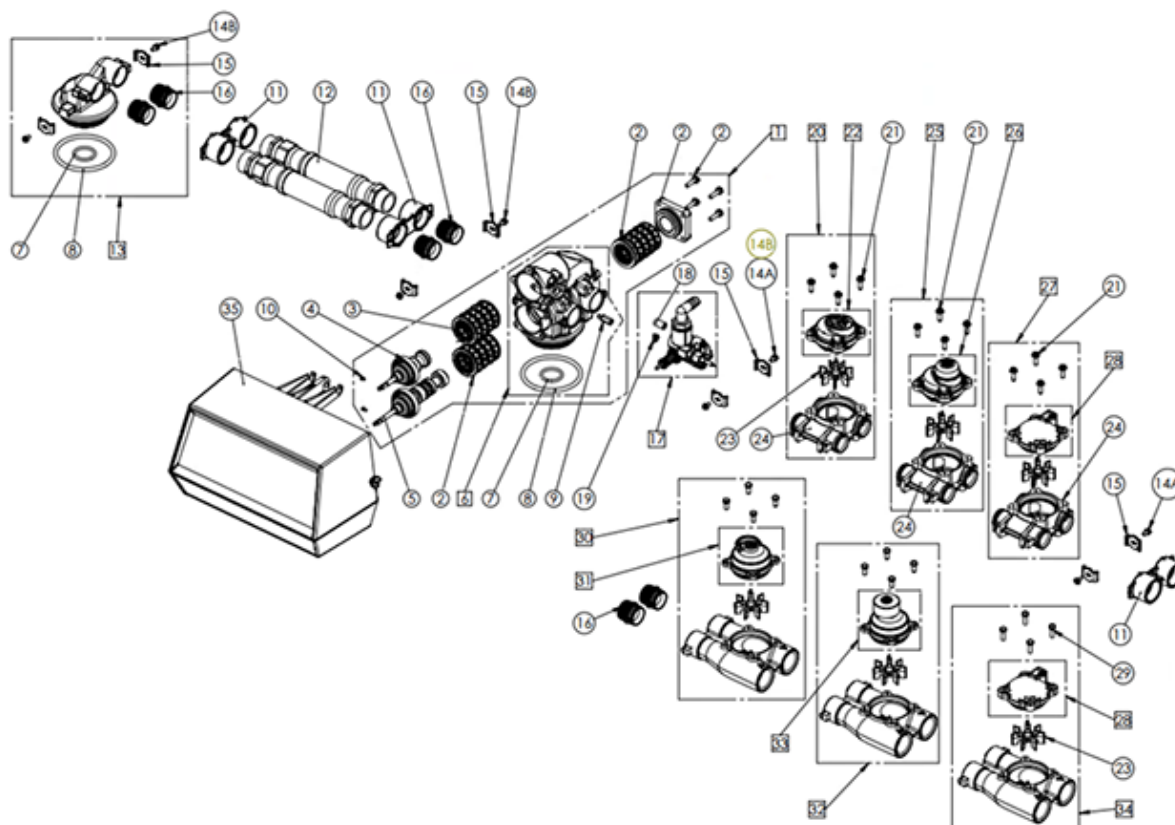
POWER HEAD 2750-2850-2910

N°	Axapta code	Pentair	Description
9	0401096658	26217-01	Cover Assy Grey - Clear Window
11	0401348195	13009-21	24H Gear
12	0401247555	14860	Skipper wheel 7 days assy
12	0401247561	24100	Skipper wheel 12 days assy
12	0401207437	24119	Program Wheel Assy 8 m ³
12	0401207438	24120	Pgm Wheel Assy 40 m ³
12	0401207439	24535	Pgm Wheel Assy 375 m ³ 2900/2910/3150
12	0401207440	24536	Pgm Wheel Assy 75 m ³ 2900/2910/3150
12	0401207441	24537	Program Wheel Assy 100 m ³
12	0401207442	24538	Program Wheel Assy 20 m ³
12	0401207447	BU25028	Program Wheel Assy 200 m ³ 2850/2900/2910
13	0401207457	24201	Program Wheel Assy 160 min
13	0401207456	24200	Program Wheel Assy 160 min 3200/3210
14	0401106735	15203	Harness Timer 9000/ 9500
15	0401277596	BU28712-01	Timer Assy SXT 2750/2850/2910 Down Flow
16	0401090004	BU28714	Cover Front Panel & Label SXT
17	0401340014	BR43346-E0	Circuit Board SXT
18	0401100003	BU28600	Wire Harness Power 4600/5000/5600
19	0401110005	BU28713	Timer Assy NXT
19	0401277597	27724-01	Timer 3200 ET Indus Down flow
20	0401340002	BU28529	Circuit Board 3200 ET
20	0401340011	BR61702-03	Circuit Board NXT
-	0401106770	28008	Harness Pulse Timer 3230
-	0401106777	40400	Harness Motor ex 11667
-	0401348411	BR40422	Wire Nut Tan
-	0401101664	40941	Harness Upper Drive NXT

Footnote: 5. Not used / 10. see timer

FLECK 9000

9000 SPARE PARTS



N°	Axapta code	Pentair	Description
1	0401317810	BU28523-01	Valve Body Assy 9000 DF
2	0401230002	BU28664	Seals and spacers Kit 9000/9100 Lower
2	0401237526	26013	Seals & spacers Kit 9000 HW Upper & Lower
2	0401237525	25642	Seals and spacers Kit 9000/9100 UF
3	0401237518	24115	Seal & spacer kit
3	0401237523	24944	Seals & spacers Kit 4600/9000 Upper HW
4	0401187227	24234	Piston Assy 9000/9100 Upper
4	0401187253	27188	Piston Assy 9000 Upper DF HW
5	0401187228	24235	Piston Assy 9000/9100 Lower Down flow
5	0401187252	27187	Piston Assy 9000 Lower DF HW
5	0401189526	28173	Piston Assy 9000/9100 Lower UF
6	0401317700	BU28606	VB 9000 & Seals
7	0401327851	11710-01	Adapt O-ring 560 CD

FLECK 9000

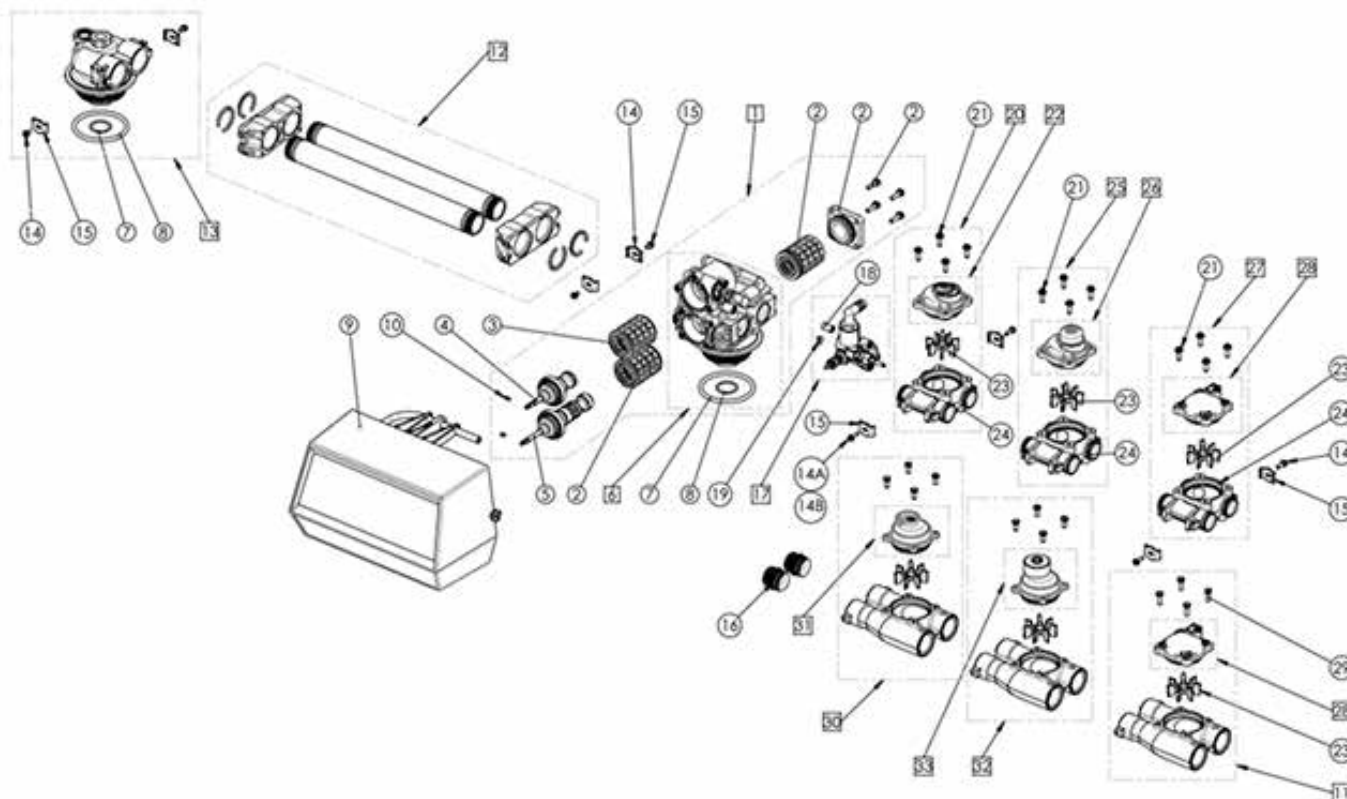
9000 SPARE PARTS

N°	Axapta code	Pentair	Description
8	0401327853	12281-01	O-ring Top of Tank 560 CD
9	0401348396	26726	Injector spacer
10	0401327923	BR11335	Piston Rod Screw 9000/9100/9500
11	0401358415	13398-10	Yoke Brass 1" BSP
13	0401267577	24238	2nd Tank Adapt Assy 9000
14A	0401327940	13314	Screw Adapt Clip
14B	0401327948	14202-01	Screw Adapt Clip
15	0401348203	BU13255	Mounting Clip
16	0401086644	15078-01	Coupling Assy 9000
18	0401348207	13361	Spacer Injector
19	0401348209	13497	Air Disperser
20	0401157017	24107	Meter Assy ¾" 8 m ³ Plastic
21	0401327935	12473	Screw
22	0401157131	14038	Cover Meter Assy Plastic
23	0401157089	13509	Impeller Meter Except 2" & 3"
24	0401157125	24102	Meter Body Assy ¾" & Ring
25	0401157016	24106	Meter Assy ¾" 40 m ³ 9000 Plastic
26	0401157133	15150	Meter Cover Assy Plastic
27	0401157041	26702	Meter Assy ¾" Electronic
28	0401157142	18330	Meter Cover Assy Electronic Plastic
29	0401327926	11737	Screw
30	0401157026	24229	Meter Assy 1" 20 m ³
31	0401157134	15218	Cover Meter Assy Brass
32	0401157024	24228	Meter Assy 1" 100 m ³
33	0401157136	15237	Meter Cover Assy Brass Extended
34	0401157046	27130	Meter Assy 1" Electronic 9000 ET

Footnote: 12. Not used / 35. See Power head91009500

FLECK 9100

9100 SPARE PARTS



N°	Axapta code	Pentair	Description
1	0401310013	BU28524-01	VB Assy 9100 Down flow w/o Mixing
2	0401230002	BU28664	Seals and spacers Kit 9000/9100 Lower
2	0401237525	25642	Seals and spacers Kit 9000/9100 UF
3	0401237518	24115	Seal & spacer kit
4	0401187227	24234	Piston Assy 9000/9100 Upper
5	0401187228	24235	Piston Assy 9000/9100 Lower Down flow
5	0401189526	28173	Piston Assy 9000/9100 Lower UF
6	0401319001	BU28241	Valve Body & Distrib Adapt 9100 w/o Mixing
7	0401327866	13304-01	O'ring
8	0401327895	18303-01	O'Ring Top of Tank 9100 - 5000 - 7700
10	0401327923	BR11335	Piston Rod Screw 9000/9100/9500
11	0401157046	27130	Meter Assy 1" Electronic 9000 ET
/	0401293078	28243-07	Tubes Connector 7 In 9100 Assy

FLECK 9100

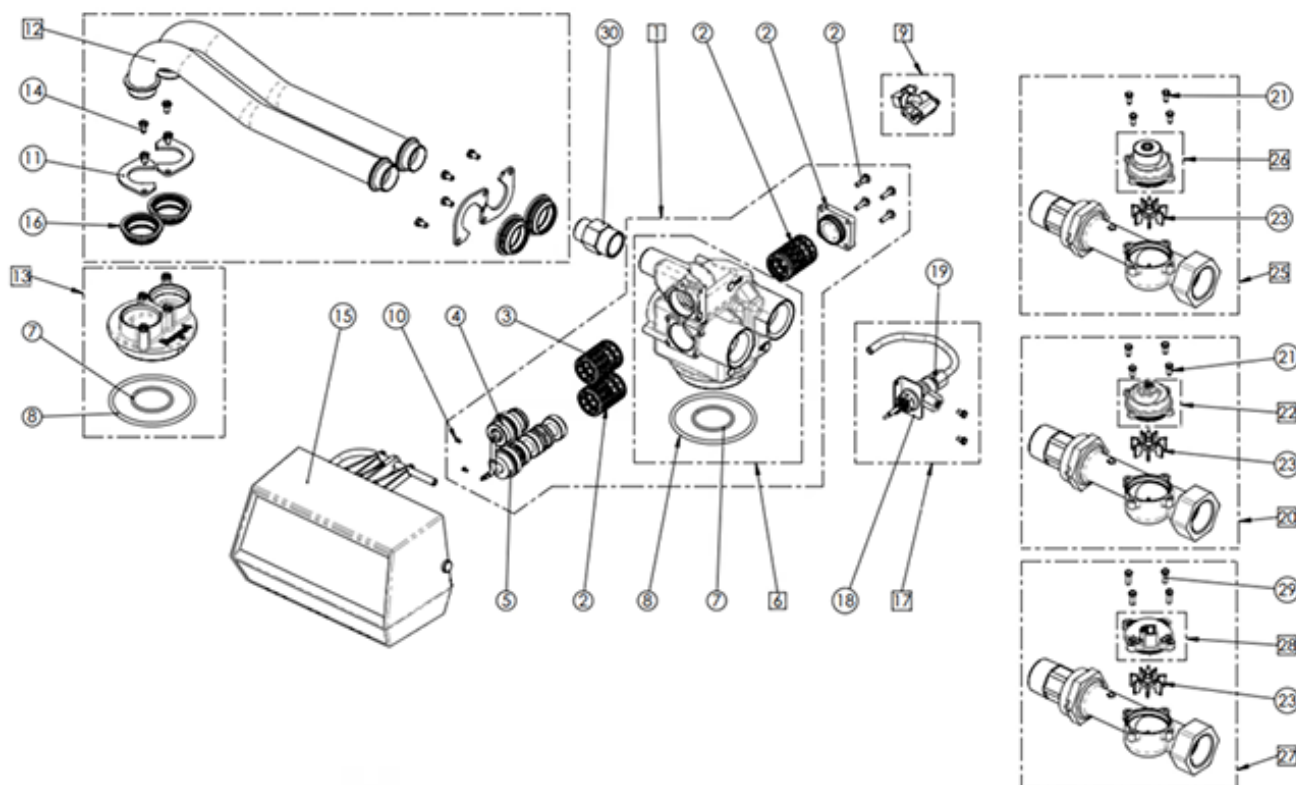
9100 SPARE PARTS

N°	Axapta code	Pentair	Description
/	0401293079	28243-09	Tubes Connector 9 In 9100 Assy
/	0401293080	28243-12	Tubes Connector 12 In 9100 Assy
12	0401294490	28243-16	Tube Connector 16 In 9100 Assy
13	0401260936	28242	2nd Tank Adapt Assy 9100
14A	0401327940	13314	Screw Adapt Clip
14B	0401327948	14202-01	Screw Adapt Clip
15	0401348203	BU13255	Mounting Clip
16	0401086644	15078-01	Coupling Assy 9000
17	0401129727	28244	Injector assy 1600 9100 Down Flow
18	0401348207	13361	Spacer Injector
19	0401348209	13497	Air Disperser
20	0401157017	24107	Meter Assy ¾" 8 m ³ Plastic
21	0401327935	12473	Screw
22	0401157131	14038	Cover Meter Assy Plastic
23	0401157089	13509	Impeller Meter Except 2" & 3"
24	0401157125	24102	Meter Body Assy ¾" & Ring
25	0401157016	24106	Meter Assy ¾" 40 m ³ 9000 Plastic
26	0401157133	15150	Meter Cover Assy Plastic
27	0401157041	26702	Meter Assy ¾" Electronic
28	0401157142	18330	Meter Cover Assy Electronic Plastic
29	0401327926	11737	Screw
30	0401157026	24229	Meter Assy 1" 20 m ³
31	0401157134	15218	Cover Meter Assy Brass
32	0401157024	24228	Meter Assy 1" 100 m ³
33	0401157136	15237	Meter Cover Assy Brass Extended

Footnote: 9. See Power head91009500

FLECK 9500

9500 SPARE PARTS



N°	Axapta code	Pentair	Description
1	0401317808	BU28525-01	VB Assy 9500
2	0401230006	BU28686	Seals & Spacer Kit 9500 Lower Plastic
3	0401230005	BU28685	Seals & Spacer Kit Fleck 9500 Upper Plastic
4	0401187216	18052	Piston Assy 9500 Upper
4	0401187135	18052-01	Piston Assy 9500 Upper Hot Water
5	0401187217	18053	Piston Assy 9500 Lower
5	0401187136	18053-01	Piston Assy 9500 Lower Hot Water
6	0401317706	BU28651	VB 9500 with O-rings
7	0401327869	13577-01	O-ring 560 CD Distrib Tube 2910/2850/9500
8	0401327889	16455-01	O-ring Top of Tank 560 CD 2850 - 9500
9	0401126827	27150	Injector 1600 assy (specify Injector size)
9	0401126808	24173	Injector Assy 1700/1710
10	0401327923	BR11335	Piston Rod Screw 9000/9100/9500

FLECK 9500

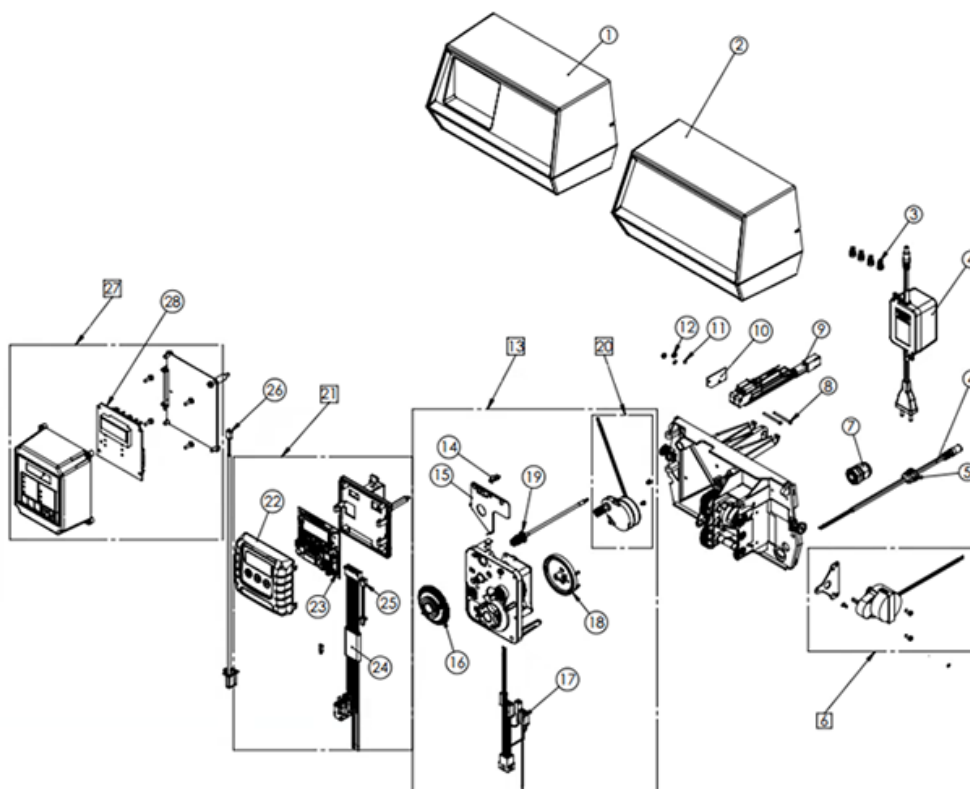
9500 SPARE PARTS

N°	Axapta code	Pentair	Description
11	0401267592	BU28107	Flange Tube 9500
12	0401298277	28137-16	Kit copper tubes 2nd tank adapter - 16"
12	0401298278	28137-20	Kit copper tubes 2nd tank adapter - 20"
12	0401298279	28137-24	Kit copper tubes 2nd tank adapter - 24"
13	0401267574	18050	2nd Tank Adapt Assy 900
14	0401327982	23728	Screw
16	0401267593	28139	Spacer Assy Tube 9500
17	0401040316	BU28612	Brine valve 1710 9500
18	0401046530	16922	Bracket Brine valve 9500
19	0401040013	BU28798	Kit Brine valve 1650 Assy 9500
19	0401046551	18092	Kit Brine valve 1600 & BLFC Assy Indus
19	0401046549	18057	Brine valve 1700 Assy 9500
20	0401157015	18509	Meter Assy 1 1/2" 40 m ³ 9500
21	0401327926	11737	Screw
22	0401157134	15218	Cover Meter Assy Brass
23	0401157089	13509	Impeller Meter Except 2" & 3"
24	0401150010	27957	Meter Body 1 1/2" 9500
25	0401157014	18508	Meter Assy 1 1/2" 200 m ³ 9500
26	0401157136	15237	Meter Cover Assy Brass Extended
27	0401157049	28076	Meter Assy 1 1/2" Electronic 9500
28	0401157142	18330	Meter Cover Assy Electronic Plastic
29	0401327977	21716	Screw THM 5x16
30	0401036510	25581	DLFC Kit 1" 2850/9500 10 to 25 gpm

Footnote: 15. See Power head91009500

POWER HEAD

POWER HEAD 9000-9100-9500



N°	Axapta code	Pentair	Description
1	0401096694	BU26473	Cover Assy Black Left Window 9500/9000 ET
2	0401096691	19291-020	Cover 9000/9100/9500 Black
3	0401348411	BR40422	Wire Nut Tan
4	0401136188	BU28597-10	Kit Transfo 10 VA 400 mA Resid
5	0401287620	13547	Strain Relief 24V
6	0401177162	26503-24	Drive Motor Assy 24V 50/60Hz Twin
7	0401348303	17967	Liquid Tight
8	0401327953	15172	Screw Flat Head 9000/9100/9500
9	0401105077	BU27746	Harness 9000
10	0401348139	10302	Insulator
11	0401348161	11663	Lock Washer
12	0401327831	10339	Nut Switch Mount

POWER HEAD

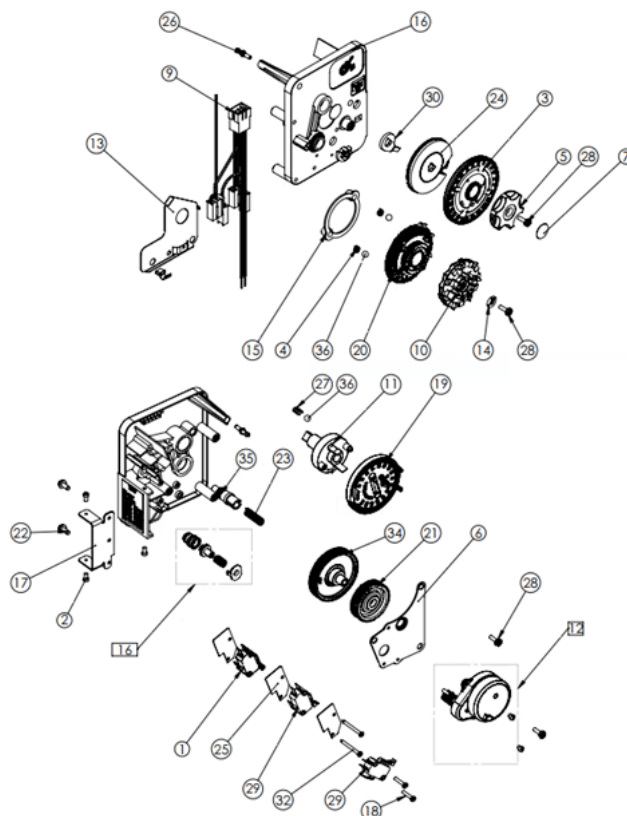
POWER HEAD 9000-9100-9500

N°	Axapta code	Pentair	Description
14	0401348295	17513	Clip Spring
15	0401348244	15227	Plate Clutch Actuator
16	0401207443	24580	Program Wheel Assy 8 M ³ 9000
16	0401207444	24914	Program Wheel Assy 20 M ³ 9000
16	0401207445	24915	Program Wheel Assy 40 M ³ 9000
16	0401207446	24916	Program Wheel 100 M ³ 9000
17	0401106735	15203	Harness Timer 9000/ 9500
18	0401207457	24201	Program Wheel Assy 160 min
19	0401157081	25724	Kit Meter Cable Assy 9000/9100 3/4"
19	0401157082	25725	Kit Meter Cable Assy 9000/9100 1"
20	0401177185	26778	Timer Motor Assy 24V/50Hz 1/30 RPM
21	0401270001	BU28712-02	Timer Assy SXT 9000/9100/9500
22	0401090004	BU28714	Cover Front Panel & Label SXT
23	0401340014	BR43346-E0	Circuit Board SXT
24	0401100010	BU28528	Wire Harness w/ Switches
25	0401151491	BU27808	Meter Cable Adapt SE 60 mm
26	0401150002	19121-01	Meter Cable SE/SXT 0,450 m
26	0401150005	19121-02	Meter Cable ET 0,5 m
27	0401277599	27726	Timer ET 9000/9100/9500 Down flow
27	0401271858	28358	Timer ET 9000/9100 UF
28	0401340002	BU28529	Circuit Board 3200 ET

Footnote: 15. See TIMER

TIMER

TIMER



N°	Axapta code	Pentair	Description
1	0401106719	10896	Microswitch
1	0401106722	15314	Microswitch Timer
2	0401327924	11384	Motor screw
3	0401348195	13009-21	24H Gear
4	0401327997	13311	Idler shaft spring
5	0401348222	13886	Knob Timer
6	0401177193	13887	Plate Motor Mounting
7	0401146953	13953	Label Cover Screw Black
8	0401348230	14501	Clutch 1 mm
9	0401106730	13902	Harness Timer 3200
9	0401106735	15203	Harness Timer 9000/ 9500
10	0401247561	24100	Skipper wheel 12 days assy
10	0401247555	14860	Skipper wheel 7 days assy

TIMER

TIMER

N°	Axapta code	Pentair	Description
11	0401348238	15055	Main Drive Gear & Shaft
12	0401177182	26775	Motor 230V 50Hz 1/30 RPM
12	0401177185	26778	Timer Motor Assy 24V/50Hz 1/30 RPM
12	0401177186	26779	Timer Motor Assy 24V/50Hz 1/15 RPM
13	0401348244	15227	Plate Clutch Actuator
14	0401348197	13014	Regeneration pointer
15	0401348217	13864	Skipper Wheel Ring
17	0401348221	13881	Timer Hinge Bracket
18	0401327971	BU21099	Screw terminal strip
19	0401207456	24200	Program Wheel Assy 160 min 3200/3210
19	0401207457	24201	Program Wheel Assy 160 min
20	0401207437	24119	Program Wheel Assy 8 m ³
20	0401207443	24580	Program Wheel Assy 8 M ³ 9000
20	0401207442	24538	Program Wheel Assy 20 m ³
20	0401207438	24120	Pgm Wheel Assy 40 m ³
20	0401207440	24536	Pgm Wheel Assy 75 m ³ 2900/2910/3150
20	0401207441	24537	Program Wheel Assy 100 m ³
20	0401207449	25692	Pgm Wheel Assy 240 m ³ 3900
20	0401207439	24535	Pgm Wheel Assy 375 m ³ 2900/2910/3150
20	0401207450	25693	Pgm Wheel Assy 1200 m ³ 3900
20	0401207444	24914	Program Wheel Assy 20 M ³ 9000
20	0401207445	24915	Program Wheel Assy 40 M ³ 9000
20	0401207446	24916	Program Wheel 100 M ³ 9000
21	0401348386	25803	Drive Gear Timer
21	0401348201	13164	Drive Gear ex 13723
22	0401327913	10300	Timer Screw
23	0401327998	13312	Spring Idler
24	0401348214	13802	Cycle Actuator Gear
24	0401348243	15223	Cycle Actuator Gear

TIMER

TIMER

N°	Axapta code	Pentair	Description
25	0401348224	14087	Insulator
26	0401348229	14265	Clip Spring Timer
27	0401327999	14457	Spring Detent
28	0401327939	13296	Screw
29	0401106723	BR15320	Microswitch
30	0401348253	15431	Cycle Actuator Gear Timer
-	0401348411	BR40422	Wire Nut Tan
32	0401327925	BU11413	Screw Pan Head 4.4x11/8
-	0401348196	13011	Cycle actuator arm
34	0401348198	13017	Idler Gear
35	0401348199	13018	Idler Pinion
36	0401348205	13300	Ball ¼" dia

