



Flex separation systems, P-separators 626/636

Cleaning systems for lubricating and lighter fuel oils*



Flex system components for P-separators 626/636. * P-separators 626/636 can also be used to clean heavier oils with well-defined densities.

S and P Flex separation systems

Alfa Laval's S and P Flex separation systems combine the high efficiency, low sludge output and low operating cost of Alfa Laval centrifugal separators with a flexible scope of supply. Extensive possibilities for the separation system layout and assembly make it possible to suit any engine room and any oil separation application.

In addition, S and P Flex separation systems feature the new EPC 60 controller, which enables the intuitive navigation of menus, parameters and alarms. The EPC 60 controller also has a modular construction for easy I/O board addition and replacement.

The S and P Flex separation concept includes the complete S- and P-separator range. These can be combined in mixed ship sets, even within a single customer-specified module.

Application P-separators

P-separators are based on purifier technology, which means that the oil/water interphase is manually adjusted by means of a gravity disc. Because the separators do not automatically adjust to varying oil density, they are most suitable for economical cleaning of the following:

- Lubricating oils
- Distillates
- Lighter diesel oils

If the oil is well defined and does not vary in density, P-separators can also be manually adjusted to clean heavy fuel oils with densities up to 991 kg/m³ and viscosities up to 600 cSt/50°C.

P-separators are designed for automatic operation in periodically unmanned engine rooms at sea and in automated power stations ashore.

Scope of supply

The S and P Flex separation concept provides a wide range of alternatives for P-separators. Depending on the need, a P-separator can be supplied as a separator and ancillaries, as a customer-specified module, or as part of a comprehensive package including services and order-specific documentation.

Flex system

A P-separator with ancillaries in the form of optimized block components provides full say over the use of space. This allows for local modularization or do-it-yourself assembly.

Flex modules

A compact P-separator module can be built to a customer-specified configuration from a wide range of modular skids and machine blocks. Multi-modules are possible, as well as mixed modules including one or more S-separators and/or P-separators for the simultaneous treatment of different types of mineral oils. All Flex modules are factory tested to ensure faster start-up and commissioning.

Module examples



SINGLE FLEX MODULE
with separator (excluding heater and pump)

SINGLE FLEX MODULE
with separator, heater and pump



QUADRUPLE FLEX MODULE
with separators, heaters and pumps



Features and benefits

■ Small footprint, high flexibility

The small separator and the modular nature of the surrounding components allow easy installation and flexible positioning in the engine room.

■ No water tank

No tank is needed to supply operating water, which further simplifies installation.

■ High separation efficiency

An optimized design ensures the best possible separation efficiency from the bowl and disc stack.

■ CentriShoot

The CentriShoot discharge system greatly reduces sludge volumes. Its fixed discharge slide flexes gently to expose the discharge ports, thereby eliminating metal-to-metal wear.

■ CentriLock

The CentriLock bowl-locking system uses a lightweight, non-threaded snap ring. This prevents wear by allowing easy removal without a sledgehammer.

■ Long service intervals

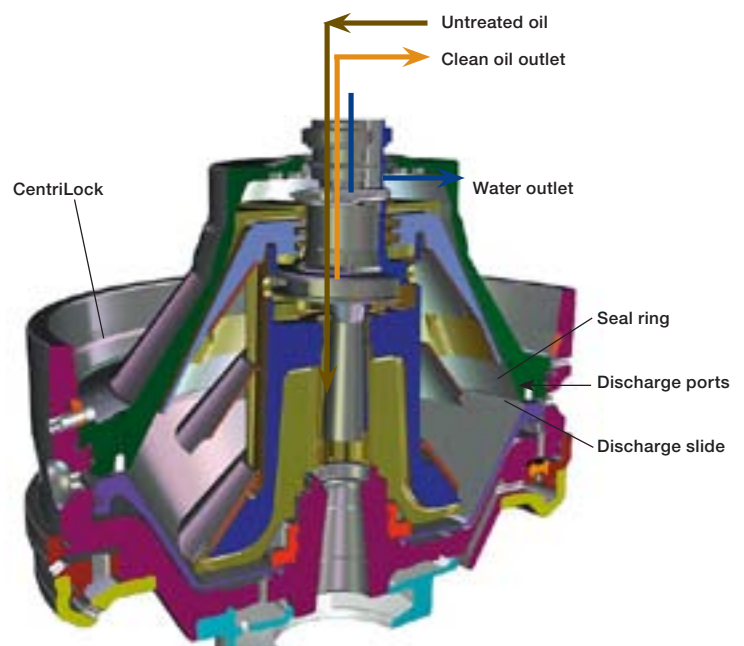
Wear-preventing features like CentriShoot and CentriLock reduce the consumption of spare parts and allow planned maintenance to be performed less often. This reduces operating costs.

■ Easy operation and service

The new PLC based EPC 60 controller is designed for “one-button” starts and stops, as well as intuitive menu navigation. Information about parameters and alarms can be easily accessed, which simplifies both operation and troubleshooting. The EPC 60 also has a modular construction that enables faster troubleshooting and I/O board replacement.

■ Remote control and monitoring

Using Ethernet or Bus communication, Flex systems and modules based on P-separators 626/636 can be operated and supervised remotely from the control room. A variety of alarm functions are available as standard, and extra I/O boards can be added to the EPC 60 controller in order to enhance its operating and monitoring capabilities.

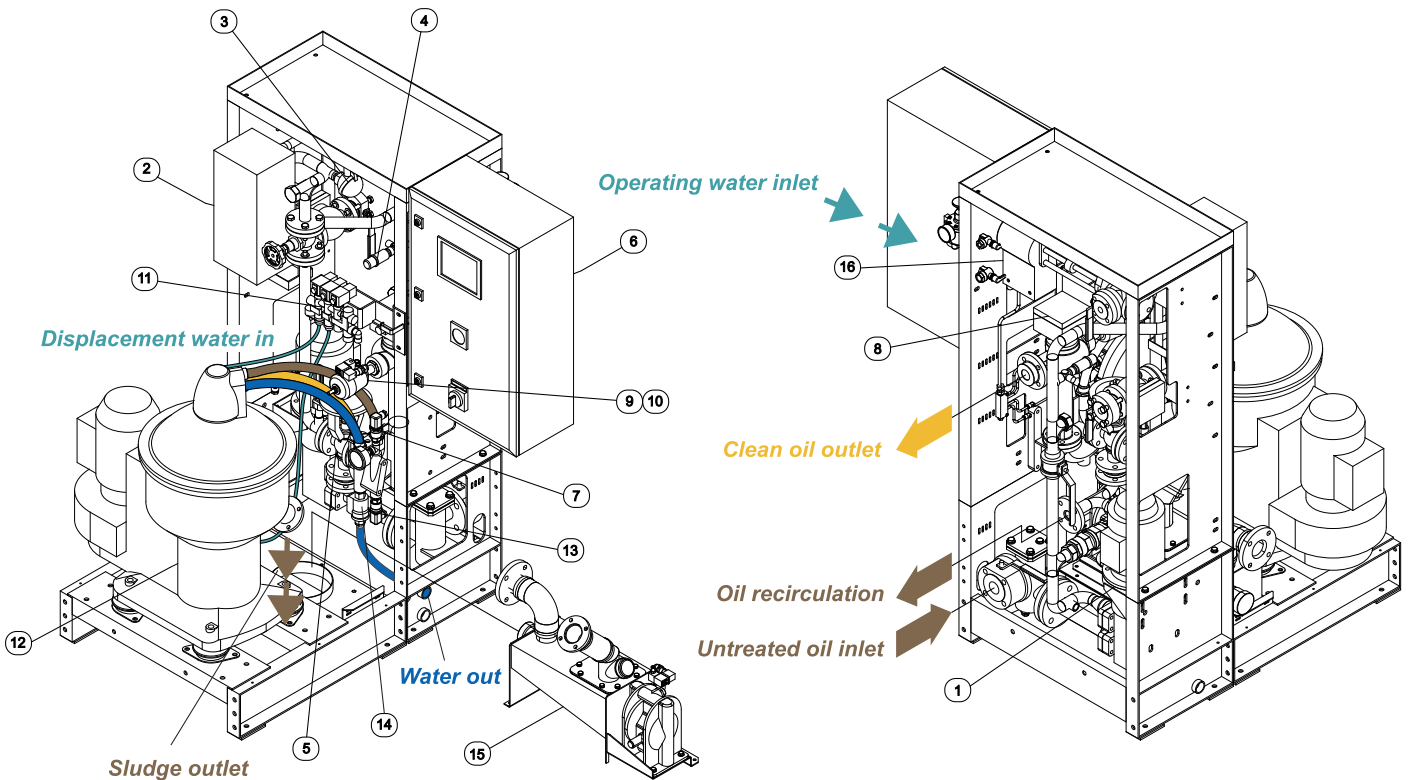


Optional equipment

Flex separation systems based on P-separators 626/636 can be complemented with the following equipment:

- Starter (included in module versions)
- Heater
- Space heating
- Additional thermometers
- Vibration sensor kit
- Feed pump
 - Supplied loose
 - Mounted on a separate skid
 - Incorporated into a module
 - As a pump module (multiple pump skids mounted together)
- Flow regulating system
- Sludge removal kit
- Sludge outlet butterfly valve kit
- Steam shut-off valve kit
- Air pressure reducer valve
- Pipe arrangement for multiple modules, including heater cross-connection
- Emergency safety shutdown
- Remote monitoring and control
- Separator lifting tool

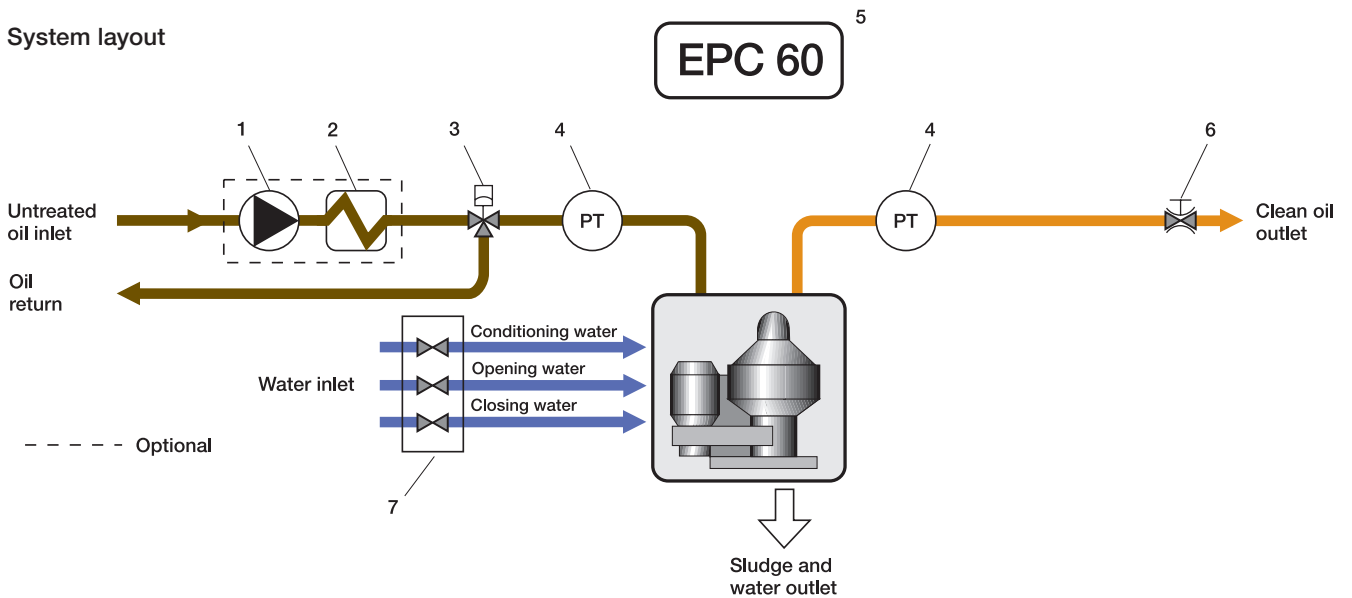
Feed pump options



Schematic diagram

- | | | |
|---------------------------|------------------------------|---------------------------------|
| 1 Feed pump | 5 Change-over valve | 9 Regulating valve – oil |
| 2 Heater | 6 Process controller | 10 Pneumatic shut-off valve |
| 3 Temperature transmitter | 7 Pressure transmitter – oil | 11 Valve block water |
| 4 Safety valve | 8 Complete regulating valve | 12 Separator |
| | | 13 Pressure transmitter – water |
| | | 14 Drain valve |
| | | 15 Sludge removal kit |
| | | 16 Regulating valve |

System layout



1. Feed pump
2. Heater
3. Pneumatically controlled change-over valve
4. Pressure transmitter
5. Control unit
6. Regulating valve
7. Solenoid valve block, water

Operating principle

A Flex separation system based on a P-separator 626/636 is operated automatically by the EPC 60 controller. Untreated oil, heated to the correct temperature, is fed continuously to the separator, which is driven by an electric motor via a friction clutch and belt.

The separator bowl is fixed at the top of a spindle, which is supported by bearings and special composite springs. This bowl can be arranged as a purifier or as a clarifier. Both configurations remove sludge, which accumulates at the bowl periphery and is intermittently discharged by the high-precision CentriShoot discharge system.

In a purifier configuration, both sludge and water are separated from the oil, which means that water is continuously discharged from the bowl. The EPC 60 controller automatically controls the admission of water for the water seal and the displacement of oil prior to sludge discharge, but a gravity disc is needed to establish the correct interphase position in the separator bowl, i.e. the boundary between

the oil and the water seal. The size of the gravity disc must be matched to the oil's density, viscosity/temperature and feed rate to the separator.

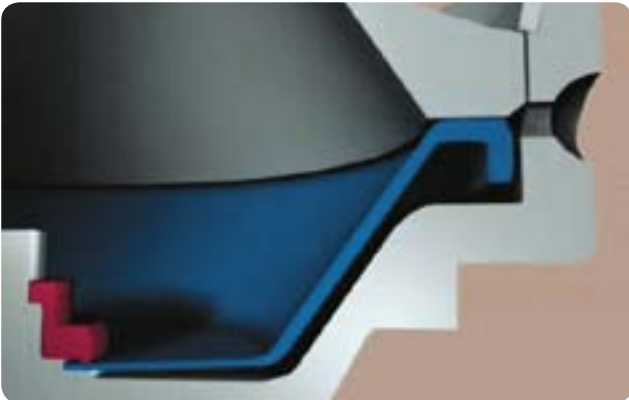
In a clarifier configuration, a clarifier disc is fitted instead of a gravity disc. The water outlet is blocked, which means that the separator's water-handling capacity is limited and that water accumulates like sludge.

During normal operation, vital process parameters are monitored. These parameters, as well as alarms, are indicated by easy-to-understand text messages on the LCD display of the EPC 60 controller.

The EPC 60 controller provides many alarm functions, including alarms for low oil pressure, high sludge tank level (if the optional sludge removal kit is included) and power failure. Additional functions are available for a vibration alarm when the optional vibration sensor is fitted.

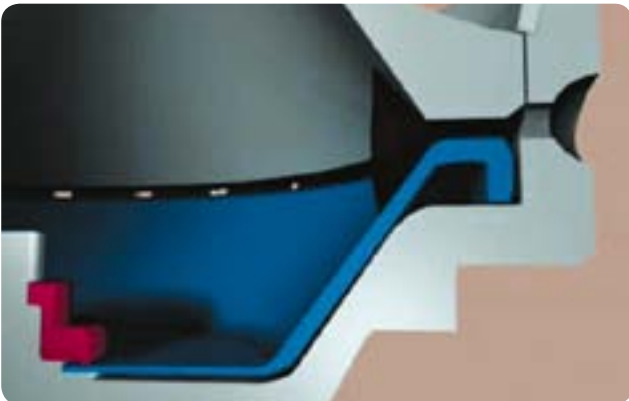
CentriShoot

Instead of a sliding bowl bottom, the CentriShoot discharge system features a fixed discharge slide that flexes at its edge. This increases discharge accuracy and does away with metal-to-metal wear.



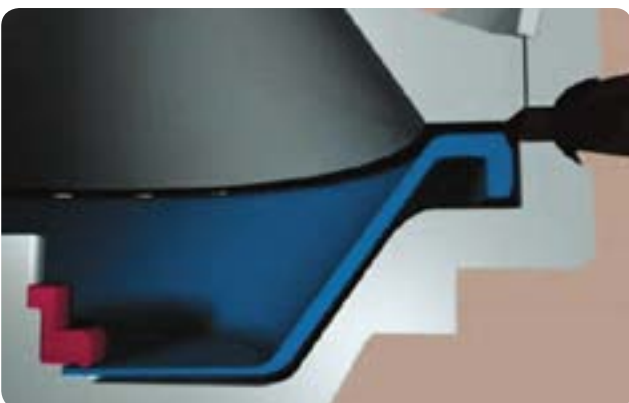
STEP ONE:

The CentriShoot discharge slide is fixed at the centre. During separation, the slide covers the discharge ports.



STEP TWO:

During sludge discharge, the edge of the slide flexes downward, exposing the discharge ports.



STEP THREE:

After discharge, the slide moves gently back into position to close the ports. This is done hydraulically, without any springs.

CentriLock

Conventional lock rings are threaded and must be removed with a sledgehammer. Over time, the metal-to-metal wear between bowl and lock ring can lead to expensive bowl repair or replacement.



An Allen key is the only tool needed to work with CentriLock. No sledgehammer is necessary.



The CentriLock snap ring lifts out and snaps in easily – without any threads to wear.

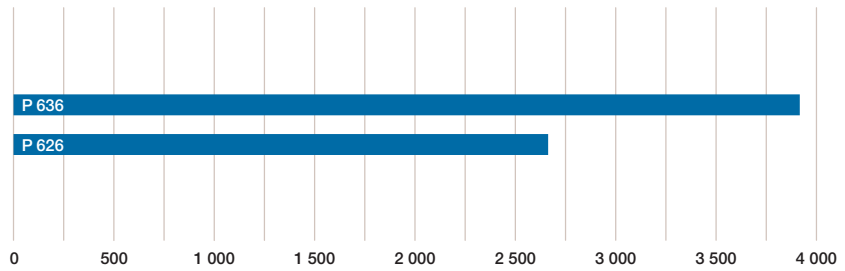
Instead of a conventional lock ring, the CentriLock bowl-locking system features a non-threaded snap ring. This lightweight ring snaps quickly into place and is easily removed with only an Allen key.

Operations

Preventive maintenance procedures are handled quickly and simply with the help of a compression tool. The snap ring of the patented CentriLock bowl-locking system is non-threaded and requires only an Allen key to remove.

- Maintenance intervals:
 - Inspection Service every 4 000 h or 6 months
 - Overhaul Service every 12 000 h or 18 months
- Service spares kits contain all necessary spare parts for each service and tips for maintenance in checkpoints:
 - Inspection Kit with O-rings and seals for separator bowl
 - Overhaul Kit with parts for drive system, belt, bearings and pads, also containing an Inspection Kit
 - Support Kit with strategic spares for operation and maintenance backup
- The System Manual includes detailed information in electronic or printed form:
 - Installation instructions
 - Operating instructions
 - Alarms and troubleshooting
 - Service and spare parts
- Commissioning and technical services are available from all Alfa Laval offices, including start-up assistance and advice on operation and maintenance
- Training in all aspects of oil treatment, freshwater generation and heat transfer is available
- All services can be incorporated into specially tailored Nonstop Performance packages. Details are available from local Alfa Laval offices

Max. Recommended Capacity, l/h on lubricating oils for trunk piston engines



TECHNICAL DATA

Main supply voltage	3-phase, 220 V up to 690 V
Control voltage	1-phase, 100/110/115/230 V
Frequency	50 or 60 Hz
Control air	Min 5 bar, max 8 bar
Operating water pressure	Min 2 bar, max 8 bar

FLEX SYSTEM	SIZE (HEIGHT X WIDTH X LENGTH)*	NET WEIGHT*
P 626	895 x 750 x 1075	389 kg
P 636	975 x 750 x 1195	443 kg

* Dimensions and weights for Flex systems do not include control cabinet.

FLEX MODULE	SIZE (HEIGHT X WIDTH X LENGTH)**	NET WEIGHT**
P 626	1750 x 750 x 1075	505 kg
P 636	1750 x 850 x 1195	585 kg

** Dimensions and weights for Flex modules do not include pump and heater.



Conformity

The mark of conformity confirms that the equipment complies with European Economics Area (EEA) directives.

How to contact Alfa Laval

Contact details for all countries are continually updated on our web site. Please visit www.alfalaval.com to access the information directly.