



PARTS CATALOG

ALWAYS ORDER BY PART NUMBER – NOT BY ITEM NUMBER

INDEX TO PARTS CALALOG

Main Frame End Wheel Drive	90-2 thru 90-6
Main Frame Rear Wheel Drive	90-7 thru 90-9
Main Frame Sub-Assemblies.....	90-10 thru 90-12
Idler Assemblies.....	90-13 thru 90-14
Main Frame Hydraulic Assemblies.....	90-15 thru 90-16
Tongue Assemblies	90-17 thru 90-19
Planter Assembly (After 8/93)	90-20 thru 90-23
Small Seed Box.....	90-24 thru 90-25
Large (Fluffy) Seed Box Assembly.....	90-26 thru 90-28
Cool Season/Grain Seed Box w/Large (Fluffy) Box Assembly	90-29 thru 90-32
Cool Season/Grain Seed Box w/o Large (Fluffy) Box Assembly	90-33 thru 90-36
Speed Changer Derailleur Style	90-37 thru 90-39
Grain Drill Drive Assembly	90-40 thru 90-42
Grain Drill Jumbo Seed Box Assembly	90-43 thru 90-46
Torsion Arm Round Shank (After 93).....	90-47 thru 90-48
Torsion Arm Trash Plow (After 93)	90-49 thru 90-50
Lock-Out Hub (Style B)	90-51 thru 90-52
Chains	90-53
Miscellaneous Parts	90-53

OPTIONS

Acre Meter (Photo).....	90-54
Output Reduction Kit End Wheel Drive	90-55 thru 90-56
Output Reduction Kit Rear Drive.....	90-57 thru 90-58
Folding Tongue	90-59 thru 90-60
Caster Wheel, Front	90-61 thru 90-62
Rear Transport Wheels (Single Wheel).....	90-63 thru 90-64
Rear Transport Wheels (Dual Wheels)	90-65 thru 90-66
Foot Board Brackets (Rear)	90-67
Covering Chains	90-20 thru 90-23
Row Dividers Cool Season Seed Box.....	90-29 thru 90-32
Row Dividers Jumbo Grain Seed Box	90-43 thru 90-46
Rear Jack Stand (Photo)	90-68
Spare Tire Mount	90-69
Tool Box	90-70
Safety Chain (Photo)	90-71
Tail Lights	90-72 thru 90-73
Scale, Pesola Spring Scale (Ounces & Grams) (Photo).....	90-74
No-Till 13-1/2" Concave Notched Blade (Photo)	90-75
No-Till 18" Concave Notched Blade (Photo)	90-75
No-Till 17" 25 Wave Blade (Photo).....	90-75
Manual Hydraulics (Photo)	90-76

NOTE: Drill Model FLXII-822 is driven from both ends of the machine. In this manual the term "Non-Typical" references the left side of the drill when viewed from the back.



PARTS CATALOG

ALWAYS ORDER BY PART NUMBER – NOT BY ITEM NUMBER

MAIN FRAME END WHEEL DRIVE – PAGE 2 OF 5

ITEM NO.	PART NUMBER	DESCRIPTION
0	PMCK-AM-2562	Packing Kit, 3-1/2" x 8" Hydraulic Cylinder
	PMCK-AM-2568	Packing Kit, 3-1/4" x 8" Hydraulic Cylinder
	PMCK-10600382	Piston Rod, Hydraulic Cylinder Replacement (Both Sizes)
1	1036X1 (Mdl 812)	Main Frame, FLXII
	1036EX1 (Mdl 88)	
	1036FX1 (Mdl 816)	
	1036GX1 (Mdl 1012)	
	1036HX1 (Mdl 610)	
	1036IX1 (Mdl 818)	
	1036JX1 (Mdl 86)	
	1036KX1 (Mdl 822)	
1036LX1 (Mdl 810)		
2	8956BX (Mdl 812)	Planter Support Tube
	8956BEX (Mdl 88)	
	8956BFX (Mdl 816, R.H.)	
	8956BFX1 (Mdl 816, L.H.)	
	8956BGX (Mdl 1012)	
	8956BHX (Mdl 610)	
	8956BIX (Mdl 818, R.H.)	
	8956BIX1 (Mdl 818, L.H.)	
	8956BJX (Mdl 86)	
	8956BKX (Mdl 822, R.H.)	
8956BKX1 (Mdl 822, L.H.)		
8956BLX (Mdl 810)		
3	1093DD	Zirk, 1/4"-28
5	B12-7.5GRD8	Bolt, 1/2" x 7-1/2" Grade 8
6	W12H	Washer, 1/2" Hardened
7	N12GRD8	Nut, 1/2" Grade 8
8	1037LNDX (Mdl 88,810,812)	Non-Drive Leg, FLXII 1990-92 Welded Axle
	1037LNDX0 (Mdl 88,810,812)	Non-Drive Leg, FLXII 1992- Removable Axle
	1037LNDX2 (Mdl 816,818,822,1012)	Non-Drive Leg, FLXII 1990-92 Welded Axle
	1037LNDX3 (Mdl 816,818,822,1012)	Non-Drive Leg, FLXII 1992- Removable Axle
	1037LNDX6 (Mdl 86)	Non-Drive Leg, FLXII 1994- Removable Axle
9	B58-7.5GRD8	Bolt, 5/8" x 7-1/2" Grade 8
10	B58-4.5	Bolt, 5/8" x 4-1/2"
11	3245CLHX1 (After Spring '93)	Clutch Chain Guard Mdl. 822 Non - Typical
	3245CLHX2	
13	4224A2	45 degree - 3/8" O-Ring, Hydraulic Fitting, 3/8" N.P.T.
14	N58-FN	Nut, 5/8" - Flanged
15	1037BHW	Bearing Mount Bar (1/4" x 2" - Two 1/2" Holes)
16	1054	Sprocket, 40B30, 1" Bore with 3/16" Cross Hole
18	1037LDX (Mdl 88 & 812)	Drive Leg, FLXII 1990-92 Welded Axle
	1037LDX0 (Mdl 88,810,812)	Drive Leg, FLXII 1992- Removable Axle
	1037LDX2 (Mdl 816,818,822,1012)	Drive Leg, FLXII 1990-92 Welded Axle
	1037LDX3 (Mdl 816,818,822,1012)	Drive Leg, FLXII 1992 Removable Axle
	1037LDX4 (Mdl 822 Non-Typical)	Drive Leg, FLXII Mdl 822 Non-Typical, 1992, Removable Axle
	1037LDX6 (Mdl 86)	Drive Leg, FLXII 1994 Removable Axle
Note: Legs prior to 1992, all sizes, were machined to have 1-1/8" cylindrical bearings inserted into the ends of the 3" round tubes (1" x 1-1/4" bushing). After 1992, the round tubes were machined for 1" cylindrical bearings.		
19	2040XA	Chain, Wheel Drive, FLXII - 77 Links with Offset Link & Full Link Connectors



PARTS CATALOG

ALWAYS ORDER BY PART NUMBER – NOT BY ITEM NUMBER

MAIN FRAME END WHEEL DRIVE – PAGE 3 OF 5

ITEM NO.	PART NUMBER	DESCRIPTION
20	801112	Pin, Hydraulic FLXII 1"x 4-1/8" Manufactured
21	W1	Washer, 1"
22	RP316-2.5	Roll Pin, 3/16" x 2-1/2"
23	1037FEX1 (Mdl 816,818,822) 1037FEX (Mdl 86,88,812) 1037FEX2 (Mdl. 822 Non-Typical)	Sliding Float Mount (-98). After 1998 Becomes part of leg.
24	8956BRX1	Planter Support Bar (1/4"x 2" - Two 5/8" Holes)
25	1037GGX1	End, Hydraulic Cylinder (For 1-1/8" Shaft)
26	SC38-16-.250	Set Screw, 3/8" x 1/4"
27	4224A1	90 Degree - 3/8" O-Ring, Hydraulic Fitting, 3/8" N.P.T.
28	4226XD (PMS-AF-1062)	Hydraulic Cylinder, 3-1/4"x 8" Rephase, (Drive Side)
29	4226XND (PMS-AF-1068)	Hydraulic Cylinder, 3-1/2"x 8" Rephase, (Non Drive Side)
30	1037FF3	Collar, Hydraulic Cylinder (2" OD x 1-1/4" ID x 2" L)
31	4226X2	Clevis, Hydraulic Cylinder (1-1/8" ID)
32	B38-2	Bolt, 3/8"x 2"
33	B12-1.5	Bolt, 1/2"x 1-1/2"
34	N12-CL	Nut, 1/2" Clincher Nut
35	8955X (Mdl. 812) 8955EX (Mdl. 88) 8955FX (Mdl. 816) 8955GX (Mdl. 1012) 8955HX (Mdl. 610) 8955IX (Mdl. 818) 8955JX (Mdl. 86) 8955KX (Mdl. 822) 8955KX1 (Mdl. 810)	Chain Hanger, Angle Iron
36	UB38-4.5-4 (3139X)	U-Bolt, 3/8"x 4-1/2"x 4"
37	N38-FN	Nut, 3/8" Flanged Nut
39	20671 (1993-) 20672 (Mdl 822) 20673 (Mdl 822, 11/01-)	Support Arm
40	B12-5	Bolt, 1/2"x 5"
41	2067A	Spacer
42	N12-CL	Nut, 1/2" Clincher Nut
43	8955XA	Chain, Planter Support - 9 Links (8 Twisted and 1 Straightened)
44	B38-1.25	Bolt, 3/8"x 1-1/4"
45	N38-CL	Nut, 3/8" Clincher Nut
46	W38	Washer, 3/8"
47	B38-2.5	Bolt, 3/8"x 2-1/2"
48	4226XG0	Retainer, Hydraulic Transport
49	1118BBX 1118BBX3 (Not Illustrated) 1118BBX5 (Not Illustrated)	Clutch Trip Engager, FLXII (End Drive) Clutch Trip Engager, FLXII (Mdl.822End Drive Non-Typical) Clutch Tripper Angle Bracket (Mdl.822 Non-Typical) Requires B38-1.25, Two W38, N38-CL.



PARTS CATALOG

ALWAYS ORDER BY PART NUMBER – NOT BY ITEM NUMBER

MAIN FRAME END WHEEL DRIVE – PAGE 4 OF 5

ITEM NO.	PART NUMBER	DESCRIPTION
50	4226XG3	Hydraulic Transport Guard, 8-1/4"
51	B38-3.25 (Not Illustrated)	Bolt, 3/8" x 3-1/4"
52	N1.125-NF N78-NF	Nut, 1-7/16" National Fine Thread Nut, 1-1/8" National Fine Thread
53	2052 2051	Lift Pins, Cat 3 - 1-7/16" Lift Pins, Cat 2 – 1-1/8"
54	LW1.125 LW78	Lock Washer, 1-7/16" Lock Washer, 1-1/8"
55	2036B (Mdl. 86, 88, 812) 2036B0 (Mdl. 816, 818, 822) 2036B1 (Mdl. 86, 88, 812) 2036B2 (Mdl. 816, 818, 822) 2036C1 (Mdl. 86, 88, 812) 2036C2 (Mdl. 816, 818, 822)	Axle, 6-Bolt (Welded), - 1992 Axle, 6-Bolt (Welded), - 1992 Axle, 6-Bolt (Welded), 1992- Axle, 6-Bolt (Welded), 1992- Axle, 6-Bolt (Pinned), 1992- (Cold Rolled Steel) Axle, 6-Bolt (Pinned), 1992- (Cold Rolled Steel)
57	4224A2	45 Degree - 3/8" O-Ring, Hydraulic Fitting, 3/8" N.P.T.
58	1085B20	Housing, Lock-Out Hub - Standard on all models after 1/1/03
59	1138B (Prior to Early '93) 1138C (After Early '93)	Seal, 6-Bolt Hub Industry Number - CR18823
60	1077B (Prior to Early '93) 1077C (After Early '93)	Inner Bearing, 6-Bolt Hub Industry Number - LM501349
61	1077CB (Prior to Early '93) 1077CC (After Early '93)	Cup, 6-Bolt Hub, Inner Industry Number – M501310
62	1085B (Prior to Early '93) 1085C (After Early '93) 1085C1 (After Early '93)	Hub, 6-Bolt, Both Sides Hub, 6-Bolt, Non-Drive Side (Not Illustrated) Hub, 6-Bolt, Drive Side For Lock - Out Hub
63	WN12-20	Wheel Nut, 1/2"- 20 With 45 ⁰ Bevel From Centerline
64	1076CB (Prior to Early '93) 1076CC (After Early '93)	Cup, 6-Bolt Hub, Outer Industry Number - LM67010
65	1076B (Prior to Early '93) 1076C1 (After Early '93)	Outer Bearing, 6-Bolt Hub Industry Number - LM67048
66	W78 (1080B)	Washer, 7/8"
67	CP316-1.75 (1110B)	Cotter Pin, 3/16" x 1-3/4"
68	CN78-NF (1073B)	Castle Nut, 7/8" National Fine Thread
69	1082B	Cap, Dust For 6-Bolt Hub
70	1072B 1072B1 (After Early '93)	Rim, 15" Wheel, Offset, 6-Bolt Rim, 15" Wheel, Offset, 6-Bolt (Valve Stem Reversed)
71	1072BA 1072BA1 (After Late '93) 1072BA2 (Optional) 107204 (Optional) 107214 (Optional)	Tire, 7.60" x 15/6 Rib Implement Tire and Rim Tire, 7.60" x 15SL 8 ply Rib Implement. Tubeless Style Tire, ST225/75R15 Load Rating D Highway Truck Tire Tire, ST225/75R15 Load Rating E Heavy Duty Truck Tire Tire, 9.5L-15SL, 8 Ply Rib Implement Flotation Tire
72	1072BB	Tube, 7.60" x 15"
73	1072BC	Valve Stem Protector (Not Used on Tubeless)
74	1072BC1	Valve Stem, Tubeless Style
75	1046C10	Decal, Chain Orientation, Drive Leg



PARTS CATALOG

ALWAYS ORDER BY PART NUMBER – NOT BY ITEM NUMBER

MAIN FRAME END WHEEL DRIVE – PAGE 5 OF 5

ITEM NO.	PART NUMBER	DESCRIPTION
76	103625	Support, Bearing and Clutch - FLXII Style
	1036251 (Not Illustrated)	Support, Bearing and Clutch - Mounted Style (W/Part #103626)
	1036252 (Not Illustrated)	Support, Bearing and Clutch – Mounted Style (Typical)
	1036253 (Not Illustrated)	Support, Bearing and Clutch - (Non-Typical Mdl.822)
	1036254 (Not Illustrated)	Support, Bearing and Clutch - Mounted Style (W/O #103626)
77	8956	Angle Iron, Speed Changer Mount
	89561 (Mdl.86)	
78	1046C12	Patent ID
79	1075	Serial Plate
80	1046C13	Decal - Transport Lock
81	1046C4-A	Decal - Do Not Operate without Guards
82	1036222	Angle Iron Support
	1036223	Angle Iron Support - Mdl.822 Non Typical
83*	CP316-2	Cotter Pin, 3/16" x 2"
84*	80112	Pin, Hydraulic FLXII 1"x 3-1/2" Standard
85	1046C22	Decal - Lug Nut Torque
86	3245ENDX	Chain Guard, End Wheel
	3245ENDX2	Chain Guard, End Wheel (Used on Mdl.822, Non-Typical)
87	B14-.5 (Not Illustrated)	Bolt, 1/4" x 1/2"
88	W14 (Not Illustrated)	Washer, 1/4"
89	B38-7 (Not Illustrated)	Bolt, 3/8" x 7" (Used in 2" x 6" Frame Tube)
90	B38-4 (Not Illustrated)	Bolt, 3/8" x 4" (Used in 2" x 3" Frame Tube)
	B38-4.5 (Not Illustrated)	Bolt, 3/8" x 4-1/2" (Used in 2" x 3" Frame Tube with Output Reduction Kit)
95	20679 (Not Illustrated)	Support Beam FLXII-822
96	1046C14	Decal, Output Reduction Kit End Wheel Drive (When Used)
97	1046C11	Decal, Clutch Chain
98	B38-1	Bolt, 3/8"x 1"
99	1085B27	Rim Bracket, Lock-Out Hub
100	SCH12-1.25	Socket Head Bolt, 1/2" x 1-1/4"
101	SCH12-2	Socket Head Bolt, 1/2" x 2"
	B12-2.5-NF (After 4/1/97)	Bolt, 1/2" x 2-1/2", National Fine Thread
102	1085B284	Spacer, Lock-Out, Metal, .118"
103	1085B28	Spacer, Lock-Out, Plastic, .062"
104	1085B23	Seal, Lock-Out
		Industry Number - CR19753
105	1085B21	Bearing, Roller
		Industry Number - BR324-120
106	1085B281	Spacer, Lock-Out, Plastic, .125"
107	1046C71 (Not Illustrated)	Slow Moving Vehicle Decal – Used when obstructions prevent use of metal sign.
	1046C72 (Not Illustrated)	Slow Moving Vehicle Sign – Used when no obstructions are present
108	UB38-4.75-4 (Not Illustrated)	U-Bolt, 3/8"x 4-3/4"x 4"
109	W38 (Not Illustrated)	Washer, 3/8"
110	N38-TL (Not Illustrated)	Nut, 3/8" Top Lock
111	1037BHW (Not Illustrated)	Bearing Mount Bar – 1/4"x 2"x 6-1/2" (two 1/2" Holes)

* Items #83 and #84 are used on both ends of the hydraulic cylinder on the non-drive side and the upper cylinder end of the drive side.



PARTS CATALOG

ALWAYS ORDER BY PART NUMBER – NOT BY ITEM NUMBER

MAIN FRAME REAR DRIVE DRILL – PAGE 2 OF 3

ITEM NO.	PART NUMBER	DESCRIPTION
0	PMCK-AM-2562	Packing Kit, 3-1/2"x 8" Hydraulic Cylinder
	PMCK-AM-2568	Packing Kit, 3-1/4"x 8" Hydraulic Cylinder
	PMCK-10600382	Piston Rod, Hydraulic Cylinder Replacement (Both Sizes)
1	1036X4 (Mdl.812RD)	Main Frame (Note: Frame has upper cylinder mounts welded to rear tube, & leg bearing mounts welded to bottom of frame after 1/1/96.)
	1036X4E (Mdl.88RD)	
	1036X4J (Mdl.86RD)	
	1036X4F (Mdl.816RD)	
	1036X4I (Mdl.818RD)	
	1036X4K (Mdl.822RD)	
2	1036X5	Upper Cylinder Mount, LH (After 1/1/96, part of frame weld)
3	1036X50	Upper Cylinder Mount, RH (After 1/1/96, part of frame weld)
4	4226XD (PMS-AF-1062)	Hydraulic Cylinder, 3-1/4"x 8" Rephase, (Drive Side)
5	4226XND (PMS-AF-1068)	Hydraulic Cylinder, 3-1/2"x 8" Rephase, (Non Drive Side)
6	4224A1	90 Degree 3/8" O-Ring Hydraulic Fitting, 3/8" N.P.T.
7	UB58-4-5.5 (4228) (Not Illustrated)	U-Bolt, 5/8"x 4"x 5-1/2" (Used Before 1/1/96)
8	N58-FN (Not Illustrated)	Nut, 5/8" Flange Nut
9	1036X51	Spacer, 1/4" Thick (between Bearing Mount & Frame)
10	1036FF2	Spacer, Cylinder Arm - 1-1/4" ID x 1-1/2" L
11	1036FFX	Spacer, Cylinder Arm - 1-1/4" ID x 1" L
12	1036FF3	Spacer, Cylinder Arm - 1-1/4" ID x 2" L
13	1118X	Clutch Tripper Rod Assembly (See Page 90-10 For Detail)
14	1046C13	Decal, Transport Lock Channel
15	1045A	Sprocket, 40B18, KY & SS
16	1118BBX1	Clutch Trip Engager, FLXII (Rear Drive)
	1118BBX2 (Not Illustrated)	Clutch Trip Engager, FLXII (Mdl.822 Rear Drive Non -Typical)
17	B38-2.5	Bolt, 3/8"x 2-1/2"
18	N38-CL	Nut, 3/8" Clincher Nut
19	B12-3	Bolt, 1/2"x 3"
20	N12	Nut, 1/2"
21	103165	Jack Shaft - RD (Also used on End Wheel Output Reduction Kit)
22	10401 (Mdl.88RD & 812RD)	Idler Bracket
	10402 (Mdl.86RD)	
23	1037CLX1	Collar, Split, Leg w/ Mount Bracket
24	1037CLX	Collar, Split
25	103625	Support, Bearing and Clutch - FLXII Style
	1036251	Support, Bearing and Clutch - Mounted Style
	1036252	Support, Bearing and Clutch - Mounting Brackets
26	1037FLB	FLXII Bearing, 3-1/4"x 3"x 2" (NOTE: Bearing is installed inside of each Bearing Mount Casting)
27	1037BHX (Mdl.88, 812)	Bearing Mount, Casting
	1037BHX2 (Mdl.88, 812)	Bearing Mount, Casting - Zirk Repositioned (RD)
	1037BHX3 (Mdl.816, 818, 822)	Bearing Mount, Casting - 5/8" Bolt Holes In Casting (RD & RT)
	1037BHX4 (Mdl.816, 818, 822)	Bearing Mount, Casting - 5/8" Bolt Holes In Casting & Zirk Repositioned (RD & Mdl. 822 Non-Typical)
28	1042	Idler Assembly, 1/2"x 3-1/2"



PARTS CATALOG

ALWAYS ORDER BY PART NUMBER – NOT BY ITEM NUMBER

MAIN FRAME REAR DRIVE DRILL – PAGE 3 OF 3

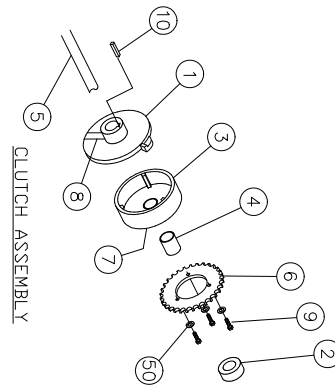
ITEM NO.	PART NUMBER	DESCRIPTION
29	4226XG4	Hydraulic Transport Guard, RD 3-1/2"
30	103161 103161A	Jack Shaft and Output Reduction Kit Support, RD Jack Shaft and Output Reduction Kit Support, Mdl.822 RD Non-Typical
31	3017 3233A 3233B 3233C	Clutch Support, R.H. Clutch Shaft Support, Mdl.822 Clutch Shaft Support, Mdl.822 Non-Typical Clutch Shaft Support Notched, Mdl.86
32	3245ENDX1 3245ENDX3 (Not Illustrated) 1046C4-A (Not Illustrated)	Chain Guard, Rear Drive Chain Guard, Rear Drive Mdl.822 Non-Typical Decal on Chain Guard – Do Not Operate Without Guards
33	1125	Collar, Shaft - 1/2" Bore
34	2036B (Mdl. 86, 88, 812) 2036B0 (Mdl. 816, 818, 822) 2036B1 (Mdl. 86, 88, 812) 2036B2 (Mdl. 816, 818, 822) 2036C1 (Mdl. 86, 88, 812) 2036C2 (Mdl. 816, 818, 822)	Axle, 6-Bolt (Welded), - 1992 Axle, 6-Bolt (Welded), - 1992 Axle, 6-Bolt (Welded), 1992- Axle, 6-Bolt (Welded), 1992- Axle, 6-Bolt (Pinned), 1992- (Cold Rolled Steel) Axle, 6-Bolt (Pinned), 1992- (Cold Rolled Steel)
35	1046C11	Decal, Clutch Chain Orientation
36	4226XG0	Retainer, Hydraulic Transport
37	UB38-3.375-2.5 UB38-3.375-4.5	U-Bolt, 3/8"x 3-3/8"x 2-1/2" (RD 86) U-Bolt, 3/8"x 3-3/8"x 4-1/2" (RD 88, 812, 816, 818, 822)
38	W38	Washer, 3/8"
39	801112	Pin, Hydraulic FLXII 1"x 4-1/8" Manufactured
40	W1	Washer, 1"
41	RP316-2.5	Roll Pin 3/16"x 2-1/2"
42	10365	Bracket, Support on RD and RT
43	B58-7GRD8	Bolt, 5/8"x 7" Grade 8
44	W58H	Washer, 5/8" Hardened
45	N58-TL	Nut, 5/8", Top Lock Nut
46	1054	Sprocket, 40B30, 1" Bore with 3/16" Cross Hole
47	1043	Idler Assembly, Leg Chain (See Idler Assembly Page 90-13 For Detail)
48	1015B (Prior to Early '93 - Not Shown) 1015C (After Early '93 - Not Shown) 1085B20	Sprocket Hub (6-Bolt) Standard on all models EXCEPT 88 Sprocket Hub (6-Bolt) Standard on all models EXCEPT 88 Housing, Lock-Out Hub - Standard on Model 88 -03. Standard on all models 03-. (See Page 90-51 For Detail)
49	2040XA	Chain, Wheel Drive, FLXII (77 Links with Offset Link and Full Link Connectors)
50	2040M	Chain, Leg Drive 18-Tooth Sprocket to 18-Tooth Sprocket on Input Shaft, Rear Drive (69 Links with Half Link or Full Link Connector)
51	2040K	Chain, Clutch for Rear Drive (25 Links with Offset Link and Full Link Connectors)
52	B38-3.25 (Not Illustrated)	Bolt, 3/8"x 3-1/4"
53	10365A	Bracket, Support - Assembly w/Hardware (Requires 4 per drill)



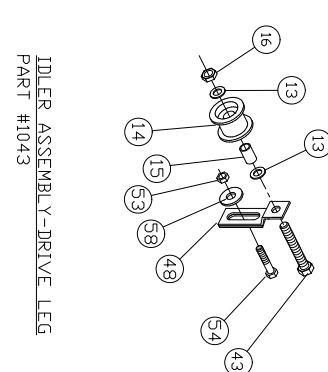
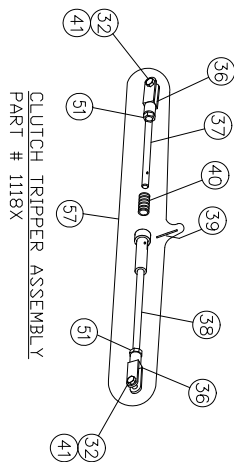
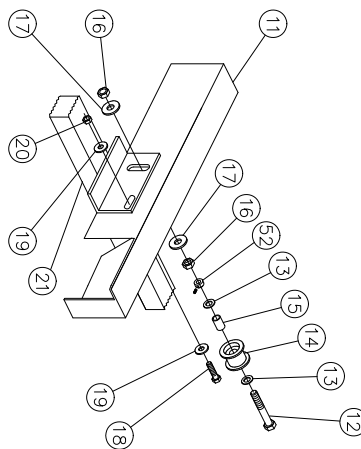
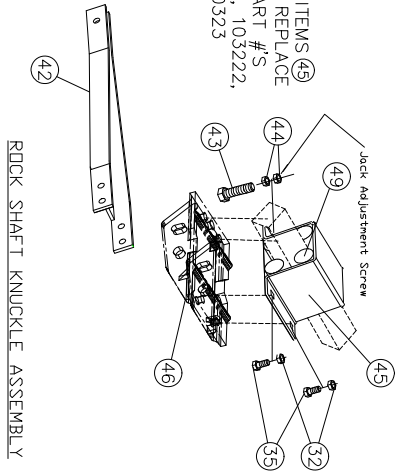
PARTS CATALOG

ALWAYS ORDER BY PART NUMBER - NOT BY ITEM NUMBER

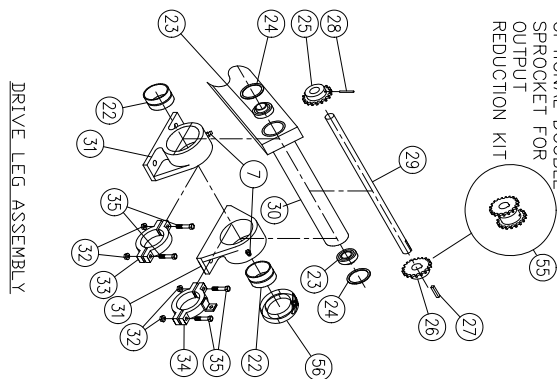
MAIN FRAME SUB-ASSEMBLIES - PAGE 1 OF 3



NOTE: ITEMS (45)
AND (46) REPLACE
OLD PART #S
103221, 103222,
AND 10323



OPTIONAL DOUBLE
SPROCKET FOR
OUTPUT
REDUCTION KIT





PARTS CATALOG

ALWAYS ORDER BY PART NUMBER – NOT BY ITEM NUMBER

MAIN FRAME SUB-ASSEMBLIES – PAGE 2 OF 3

ITEM NO.	PART NUMBER	DESCRIPTION
1	1119	Clutch, Housing w/Dog Trip
2	1124	Collar, Shaft, 1" Bore
3	1120	Clutch, Hub
4	1121	Bushing, Clutch, 1" Bore
5	15-710	Shaft, Input
6	1044 1144A 1144B	Sprocket, 40A30 - Standard Sprocket Sprocket, 40A54 - Optional Sprocket Sprocket, 40A60 - Optional Sprocket Special order sprockets are available.
7	1093DD	Zirk, 1/4"-28
8	SC38-16-.250	Set Screw, 3/8"x 1/4"
9	B516-1	Bolt, 5/16"x 1"
10	1110	Key, Sq. 1/4"x 1-1/4"
11	3245CLHX1 3245CLHX2 (Not Illustrated)	Clutch Chain, Guard Clutch Chain, Guard (Mdl 822, Non-Typical)
12	B12-3	Bolt, 1/2"x 3"
NOTE: When the Output reduction Kit is installed, Item #12 requires B12-4TH (Bolt, 1/2"x 4" Thread to Head): W38 (Washer 3/8" - Requires 4); and JN12 (Jam Nut 1/2" - Requires 5)		
13	MB12-.062	Machine Bushing, 1/2" ID x 3/4" OD x .062" Thickness
14	1041A	Spool, Plastic
15	1041A2	Bushing, Idler Spool
16	N12-JN	Nut, 1/2" Jam Nut
17	W12	Washer, 1/2"
18	B38-1.25	Bolt, 3/8"x 1-1/4"
NOTE: When the Output reduction Kit is installed, Item #18 requires B38-2.25TH (Bolt, 3/8"x 2-1/4" Thread to Head); W38 (Washer 3/8" - Requires 4); and N38-FL (Nut, 3/8" Flanged - Requires 3)		
19	W38	Washer, 3/8"
20	N38-CL	Nut, 3/8" Clincher Nut
21	8956BX (Mdl. 812) 8956BEX (Mdl. 88) 8956BFX (Mdl. 816, R.H.) 8956BFX1 (Mdl. 816, L.H.) 8956BGX (Mdl. 1012) 8956BHX (Mdl. 610) 8956BIX (Mdl. 818, R.H.) 8956BIX1 (Mdl. 818, L.H.) 8956BJX (Mdl. 86) 8956BKX (Mdl. 822, R.H.) 8956BKX1 (Mdl. 822, L.H.) 8956BLX (Mdl. 810)	(Replaces Part #8966BFX) (Replaces Part #8976BGX) (Replaces Part #8986BHX) Planter Support Tube
22	1037FLB	FLXII Bearing, 3-1/4"x 3"x 2"
23	1037DBX1 (After 1992)	Bearing, 1" Bore Cylindrical OD
24	3000X206ST (After 1992)	Retaining Ring, Drive Leg, (1" Bearing)
25	1054	Sprocket, 40B30, 1" Bore with 3/16" Cross Hole
26	1045A	Sprocket, 40B18-KY & SS
27	1110	Key, Sq. 1/4"x 1- 1/4"



PARTS CATALOG

ALWAYS ORDER BY PART NUMBER – NOT BY ITEM NUMBER

MAIN FRAME SUB-ASSEMBLIES – PAGE 3 OF 3

ITEM NO.	PART NUMBER	DESCRIPTION
28	RP316-2	Roll Pin, 3/16"x 2"
29	10375 (Mdl 88,810,812) 103751 (Mdl 816,818,822,1012)	Drive Shaft, Leg
30	1037LDX (Mdl 88,812) 1037LDXO (Mdl 88,810,812) 1037LDX2 (Mdl 816,818,822,1012) 1037LDX3 (Mdl 816,818,822,1012) 1037LDX6 (Mdl 86) 1037LDX7 (Mdl 88RD)	Drive Leg, FLXII, 1990-92, Welded Axle Drive Leg, FLXII, 1992-, Removable Axle Drive Leg, FLXII, 1990-92, Welded Axle Drive Leg, FLXII, 1992-, Removable Axle (Cold Rolled) Drive Leg, FLXII, 1992-, Removable Axle (Cold Rolled) Drive Leg, FLXII, 1994-, Removable Axle (Cold Rolled)
Note: Legs prior to 1992, all sizes, were machined to have 1-1/8" cylindrical bearings inserted into the ends of the 3" round tubes (1" x 1-1/4" bushing). After 1992, the round tubes were machined for 1" cylindrical bearings.		
31	1037BHX (Mdl.88, 812) 1037BHX2 (Mdl.88, 812) 1037BHX3 (Mdl.816, 818, 822) 1037BHX4 (Mdl.816, 818, 822)	Bearing Mount, Casting Bearing Mount, Casting - Zirk Repositioned (RD) Bearing Mount, Casting - 5/8" Bolt Holes In Casting (RD & RT) Bearing Mount, Casting - 5/8" Bolt Holes In Casting & Zirk Repositioned (RD & Mdl.822 Non-Typical)
32	N38-CL	Nut, 3/8" Clincher Nut
33	1037CLX	Collar, Split
34	1037CLX1 1037CLX2 (Not Illustrated)	Collar w/ Mount Bracket Collar w/ Mount Bracket, Non-Typical for Mdl. 822
35	B38-1.5	Bolt, 3/8"x 1-1/2"
36	3069	Yoke, Clevis, 3/8" National Fine Thread
37	1118X2	Clutch Tripper, Male
38	1118X1	Clutch Tripper, Female
39	RP18-.875	Roll Pin, 1/8" x 7/8"
40	S-38	Spring, Clutch Tripper
41	B38-1.25	Bolt, 3/8"x 1-1/4"
42	10321	Lift Bracket, 1992-
43	B12-2	Bolt, 1/2"x 2"
44	N12-JN	Nut, 1/2" Jam Nut
45	10322 103220 103221 103222	Clamp Half, Knuckle, Fabricated 1992-2004 Clamp Half, Knuckle, Ductile Iron 2005- Clamp Half, Upper, -1992 (Replaced by 10322, 103211) Clamp Half, Lower, -1992 (Replaced by 10322, 103211)
46	103211	Support Lift Channel (96-)
48	3237X	Idler Support, FLXII Leg
49	42202X	Rubber, 1.375" Cord - 80 duro
50	LW516	Lock Washer, 5/16"
51	N38-NF	Nut, 3/8" National Fine Thread
52	1040C	Collar, 1/2" With Set Screw
53	N12-CL	Nut, 1/2" Clincher Nut
54	B12-3	Bolt, 1/2" x 3" (FLXII Mdl. 816, 818, 822 require B12-4)
55	3096 3097	Sprocket, DBL 1818 Sprocket, DBL 3618
56	1037CLX2	Collar, Shaft - 3"
57	1118X	Clutch Tripper Rod Assembly
58	W12H	Washer, 1/2" Hardened

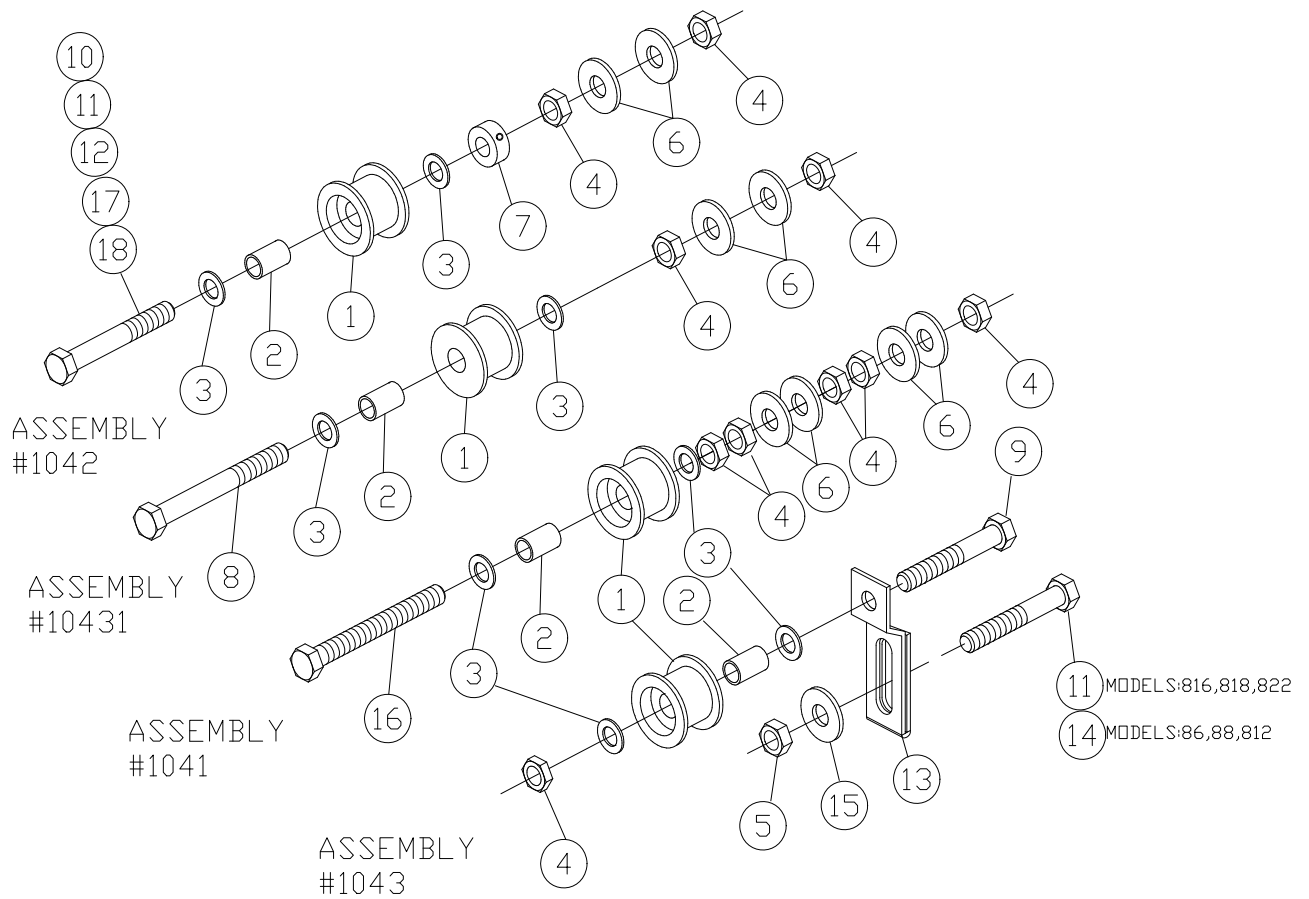


PARTS CATALOG

ALWAYS ORDER BY PART NUMBER – NOT BY ITEM NUMBER

IDLER ASSEMBLIES – PAGE 1 OF 2

- ⑩ 1042: FRONT CLUTCH CHAIN, 3½" BOLT<w/o OUTPUT REDUCTION KIT>
- ⑪ 1042A: COOL SEASON BOX CHAIN, 4" BOLT
- ⑫ 1042C: REAR CLUTCH CHAIN, 5" BOLT<w/o OUTPUT REDUCTION KIT>
- ⑰ 1042B: SMALL SEED BOX CHAIN, 4½" BOLT
- ⑱ 1042D: REAR CLUTCH CHAIN, 5½" BOLT<w/ OUTPUT REDUCTION KIT>





PARTS CATALOG

ALWAYS ORDER BY PART NUMBER – NOT BY ITEM NUMBER

IDLER ASSEMBLIES – PAGE 2 OF 2

ITEM NO.	PART NUMBER	DESCRIPTION
0	01041	Idler, Clutch Chain, Front - With Output Reduction Kit Assembly: 1041A, 1041A2, 1040B(2), B12-4TH, W12(4), N12-CL(5)
	01042	Idler, Clutch Chain, Front - Without Output Reduction Kit Assembly: 1041A, 1041A2, 1040B(2), 1040C, B12-3.5, W12(2), N12-CL(2)
	01042A	Idler, Cool Season Seed Box Chain Assembly: 1041A, 1041A2, 1040B(2), 1040C, B12-4, W12(2), N12-CL(2)
	01042B	Idler, Small Seed Box Chain Assembly: 1041A, 1041A2, 1040B(2), 1040C, B12-4.5, W12(2), N12-CL(2)
	01042C	Idler, Clutch Chain, Rear - Without Output Reduction Kit Assembly: 1041A, 1041A2, 1040B(2), 1040C, B12-5, W12(2), N12-CL(2)
	01042D	Idler, Clutch Chain, Rear - With Output Reduction Kit Assembly: 1041A, 1041A2, 1040B(2), 1040C, B12-5.5, W12(2), N12-CL(2)
	01043	Idler, Leg Chain Assembly: 1041A, 1041A2, 1040B(2), 3237X, B12-2, N12-CL, B12-3 (Mdl 86,88,812), or B12-4 (Mdl 816,818,822), W12H, JN12
	010431	Idler, Fluffy Seed Box Chain Assembly: 1041A, 1041A2, 1040B(2), B12-2.5, W12(2), N12-CL(2)
1	1041A	Spool, Plastic
2	1041A2	Bushing, Idler Spool
3	1040B	Bushings, 1/2" ID - 3/4" OD
4	N12-CL	Nut, 1/2" Clincher Nut
5	N12-JN	Nut, 1/2" Jam Nut
6	W12	Washer, 1/2"
7	1040C	Collar, 1/2" (With Set Screw)
8	B12-2.5	Bolt, 1/2"x 2-1/2"
9	B12-2	Bolt, 1/2"x 2"
10	B12-3.5	Bolt, 1/2"x 3-1/2"
11	B12-4	Bolt, 1/2"x 4"
12	B12-5	Bolt, 1/2"x 5"
13	3237X	Idler Support, FLXII Leg
14	B12-3	Bolt, 1/2"x 3"
15	W12H	Washer, 1/2" Hardened
16	B12-4TH	Bolt, 1/2"x 4" Thread-To-Head
17	B12-4.5	Bolt, 1/2"x 4-1/2"
18	B12-5.5	Bolt, 1/2"x 5-1/2"



PARTS CATALOG

ALWAYS ORDER BY PART NUMBER – NOT BY ITEM NUMBER

MAIN FRAME HYDRAULIC ASSEMBLIES – PAGE 1 OF 2

11-III FRONT HYDRAULIC END DP1 E

NOTE: ALL HOSES ARE SAE PIPE THREAD.

NOTE: ON END DP1 E DRILL: CYLINDER HYDRAULIC FITTINGS ARE ON BOTTOM SIDE.

UPPER END OF DP1 E SIDE GOES TO UPPER END OF 1101 DP1 E SIDE.

LO. EP. END OF DP1 E SIDE GOES TO UPPER END OF 1101 DP1 E SIDE.

WATER 8

LO. EP. END OF 1101 DP1 E SIDE GOES TO DO 11 VAL E ON TRACTOR.

10 NOT ILLUSTRATED

THE HOSES SHOULD BE UNDER THE MOUNTING POINT OF THE SPRING LE. ELEP. CLE. 11.

USE WHEN HOSE IS NOT 8

THE HOSES SHOULD BE UNDER THE MOUNTING POINT OF THE SPRING LE. ELEP. CLE. 11.

11-III FRONT HYDRAULIC REAR DP1 E REAR TRACTOR

NOTE: ALL HOSES ARE SAE PIPE THREAD.

USE WHEN HOSE IS NOT 8

NOTE: ON REAR DP1 E DRILL: CYLINDER HYDRAULIC FITTINGS ARE ON TOP SIDE.

LO. EP. END OF DP1 E SIDE GOES TO UPPER END OF 1101 DP1 E SIDE.

WATER 8

LO. EP. END OF 1101 DP1 E SIDE GOES TO DO 11 VAL E ON TRACTOR.

UPPER END OF DP1 E SIDE GOES TO UPPER END OF 1101 DP1 E SIDE.



PARTS CATALOG

ALWAYS ORDER BY PART NUMBER – NOT BY ITEM NUMBER

HYDRAULIC ASSEMBLIES (MAIN FRAME) – PAGE 2 OF 2

ITEM NO.	PART NUMBER	DESCRIPTION
1	4222X8 (Model 86, 8 Ft.) 4222X4 (Model 86RD, 4 Ft.) 4222X9 (Model 88, 9 Ft.) 4222X5 (Model 88RD, 5 Ft.) 4222X12 (Model 812, 12 Ft.) 4222X6 (Model 812RD, RT, 6 Ft.) 4222X14 (Model 816, 14 Ft.) 4222X8 (Model 816RD, RT, 8 Ft.) 4222X16 (Model 818, 16 Ft.) 4222X10 (Model 818RD, RT, 10Ft.) 4222X19 (Model 822, 19 Ft.) 4222X12 (Model 822RD, RT, 12Ft.)	Hose, Hydraulic, FLXII, 3/8" Male, NPT- Cross over hose connecting cylinder to cylinder. Connects ram end of drive end cylinder to mount end of non-drive end cylinder.
2	4222X18 (Model 86, 18 Ft.) 4222X14 (Model 86RD, 14 Ft.) 4222X19 (Model 88, 19 Ft.) 4222X14 (Model 88RD, 14 Ft.) 4222X20 (Model 812, 20 Ft.) 4222X15 (Model 812RD, RT, 15 Ft.) 4222X21 (Model 816, 21 Ft.) 4222X16 (Model 816RD, RT, 16Ft.) 4222X21 (Model 818, 21 Ft.) 4222X17 (Model 818RD, RT, 17Ft.) 4222X21 (Model 822, 21 ft.) 4222X18 (Model 822RD, RT, 18Ft.)	Hose, Hydraulic, FLXII, 3/8" Male, NPT & 1/2" male - Connects mount end of drive/master cylinder (3-1/2") to up valve on tractor.
3	4222X19 (Model 86, 19 Ft.) 4222X15 (Model 86RD, 15 Ft.) 4222X20 (Model 88, 20 Ft.) 4222X15 (Model 88RD, 15 Ft.) 4222X21 (Model 812, 21 Ft.) 4222X16 (Model 812RD, RT, 16 Ft.) 4222X22 (Model 816, 22 Ft.) 4222X17 (Model 816RD, RT, 17Ft.) 4222X22 (Model 818, 22 Ft.) 4222X18 (Model 818RD, RT, 18Ft.) 4222X22 (Model 822, 22 Ft.) 4222X19 (Model 822RD, RT, 19Ft.)	Hose, Hydraulic, FLXII, 3/8" Male, NPT & 1/2" male - Connects mount end of non-drive/slave cylinder (3-1/4") to down valve on tractor.
4	4224A1	90 Degree, O-Ring Style Adapter
5	4224A2	45 Degree, O-Ring Style Adapter
6	4222A	Tie, Plastic-Short
7	4222B	Tie, Plastic-Long
8	4226XD	Hydraulic Cylinder, 3-1/4"x 8" (Slave) Rephasing , Tie Rod: PMS-AF-1062
9	4226XND	Hydraulic Cylinder, 3-1/2"x 8" (Master) Rephasing , Tie Rod: PMS-AF-1068
10	42221	Sleeve, Hose Protector
11	42220	Hydraulic Quick Disconnect (Male)
12	422201 (Not Illustrated)	Bushing, Hydraulic, 3/8"x 1/2" – Used when Items #2 & 3 are not 1/2".

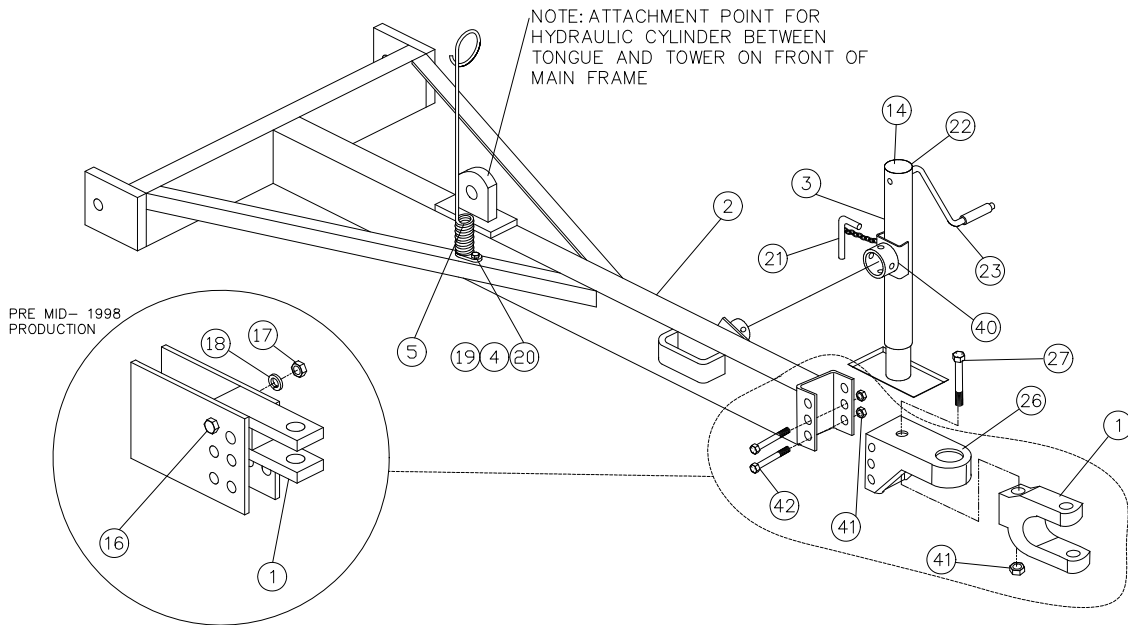


PARTS CATALOG

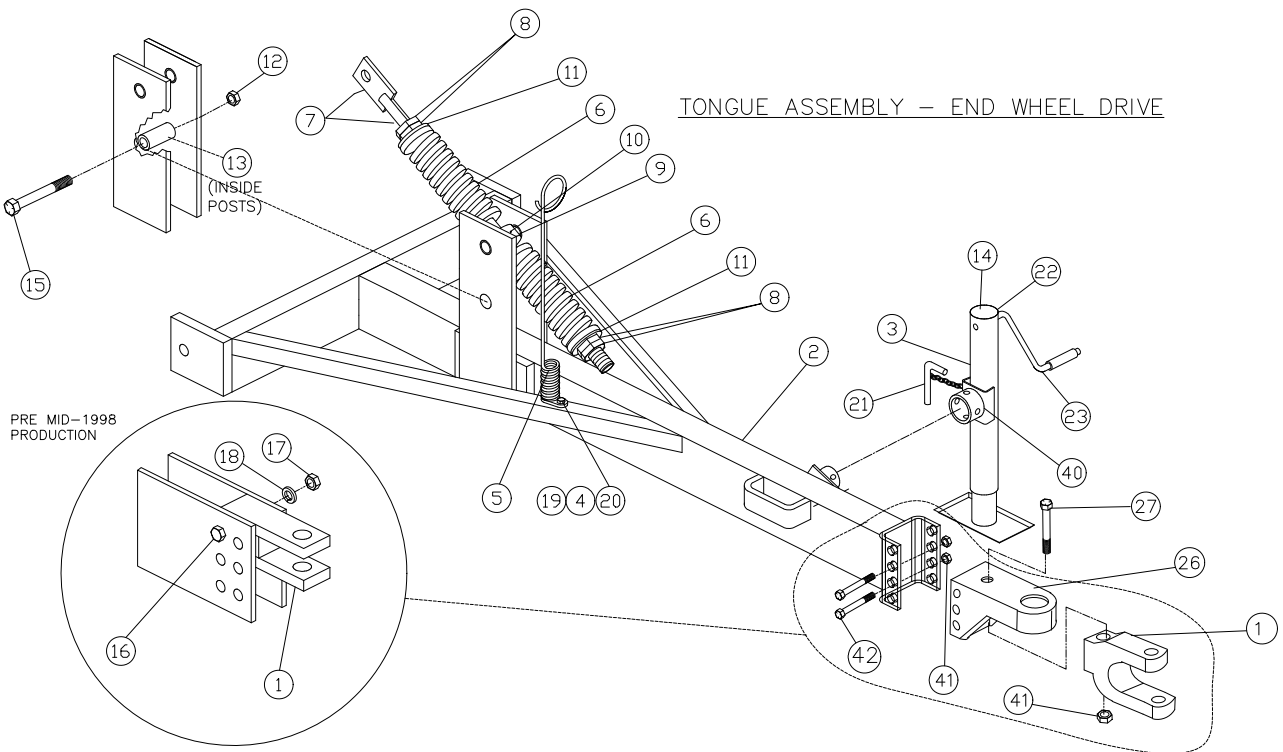
ALWAYS ORDER BY PART NUMBER – NOT BY ITEM NUMBER

TONGUE ASSEMBLIES – PAGE 1 OF 3

TONGUE ASSEMBLY – REAR DRIVE



TONGUE ASSEMBLY – END WHEEL DRIVE





PARTS CATALOG

ALWAYS ORDER BY PART NUMBER – NOT BY ITEM NUMBER

TONGUE ASSEMBLY (FLXII DRILLS) – PAGE 2 OF 3

ITEM NO.	PART NUMBER	DESCRIPTION	
0	4213X (Mdl 86,88,810,610,812)	Tongue Assembly, FLXII (-99)	
	4213XF (Mdl 816,818,822)		
	4213XG (Mdl 1012)		
	42132 (Mdl 86,88,812 RD)		
	42133 (Mdl 88,812 RD Short)		
	0	4213X1 (Mdl 86,88,810,610,812)	Tongue Assembly, FLXII (99-)
		4213XF1 (Mdl 816,818,822)	
		4213XG1 (Mdl 1012)	
		421321 (Mdl 86,88,812 RD)	
		421331 (Mdl 88,812 RD Short)	
1	1022B	Hitch Clevis (-99)	
	1022B1	Hitch Clevis, Rear Drive (-99)	
	1022B2	Hitch Clevis (99-)	
2	4213A (Mdl 86,88,810,812)	Tongue Weldment (-99)	
	4213A1 (Mdl 86,88,812 RD)		
	4213A2 (Mdl 88,812 RD Short)		
	4213AF (Mdl 816,818,822)		
	4213AG (Mdl 1012)		
	2	4213A10 (Mdl 86,88,810,812)	Tongue Weldment (99-)
		4213A11 (Mdl 86,88,812 RD)	
		4213A21 (Mdl 88,812 RD Short)	
		4213AF1 (Mdl 816,818,822)	
		4213AG1 (Mdl 1012)	
3	10691	Parking Jack Assembly, Pin Style(-95)	
	10691A	Parking Jack Assembly, Pipe Style(95-) 2500 Lb. Capacity	
	10691B	Parking Jack Assembly, Pipe Style(6/02-) 5000 Lb. Capacity	
4	W38 (Not Illustrated)	Washer, 3/8"	
5	4214	Hose Guide, 18"	
6	4217A	Spring (All Models)	
7	4217B1	Rod, Spring	
8	N1.25-JNNC (4217D1)	Nut, 1-1/4" Jam Nut National Coarse Thread	
9	4207	Trunnion, Pivot	
10	1093DD	Zirk, 1/4"-28	
11	4232A	End Guides	
12	N12	Nut, 1/2"	
13	4232	Spacer, Spring Assembly	
14	1069A7	Cap, Jack (Not Serviced)	
15	B12-5.5	Bolt, 1/2"x 5-1/2"	
16	B34-5	Bolt, 3/4"x 5"	
17	N34-TL	Nut, 3/4" Top Lock Nut	
18	LW34	Lockwasher, 3/4"	
19	N38-FN (Not Illustrated)	Nut, 3/8" Flange Nut	
20	B38-1.25	Bolt, 3/8" x 1-1/4"	
21	1069A5	L-Pin (Not Serviced)	



PARTS CATALOG

ALWAYS ORDER BY PART NUMBER – NOT BY ITEM NUMBER

TONGUE ASSEMBLY (FLXII DRILLS) – PAGE 3 OF 3

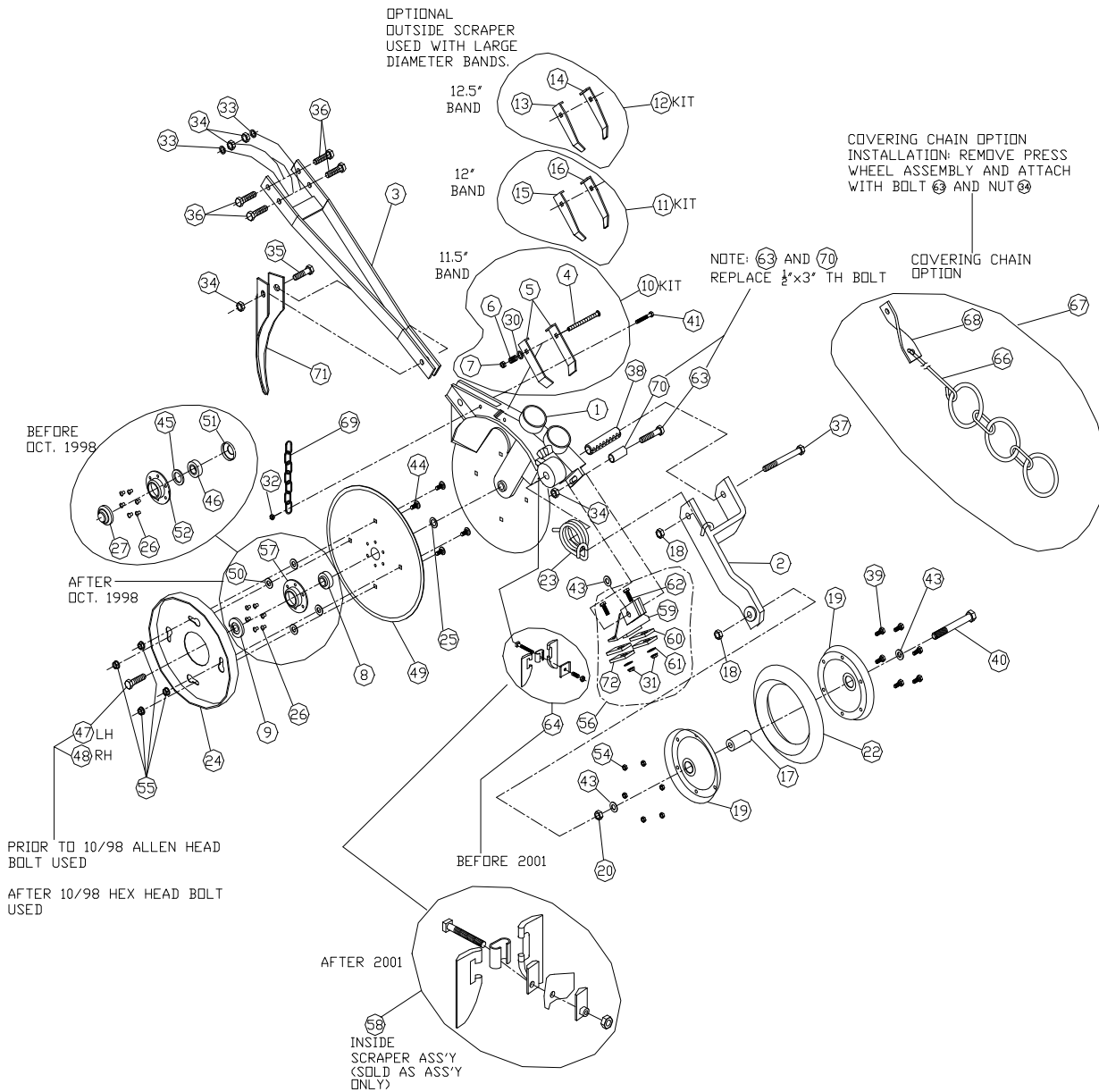
ITEM NO.	PART NUMBER	DESCRIPTION
22	1069A4 (Not Illustrated)	Gear, Worm (Not Serviced)
23	1069A3	Jack Handle Assembly (Not Serviced)
26	1022C1 1022C2	Hitch Body, Standard (99-) Hitch Body, Heavy Duty (Used On Limited Production In 2000)
27	B34-6GRD8	Bolt, 3/4"x 6" Grade 8
28	42260 (Not Illustrated)	Cylinder, Hydraulic 3"x 8" (Rear Drive)
29	4222X6 (Not Illustrated)	Hose, Hydraulic - 6' (Rear Drive)
30	4222X7 (Not Illustrated)	Hose, Hydraulic - 7' (Rear Drive)
31	4224A1 (Not Illustrated)	90 Degree – 3/8" Non O-Ring, Hydraulic Fitting, 3/8" N.P.T.
32	1037GGX1 (Not Illustrated)	End, Hydraulic Cylinder 1-1/8" (Used on Rear Drive Only) (Includes bushing 1" OD, 3/4" ID, 3/4" L)
33	4222A (Not Illustrated)	Tie, Plastic-Short
34	4222B (Not Illustrated)	Tie, Plastic-Long
35	42220 (Not Illustrated)	Hydraulic Quick Disconnect (Male)
36	422201 (Not Illustrated)	Hydraulic Bushing, 3/8"x 1/2"
37	4226XG3 (Not Illustrated)	Guard, Hydraulic, Transport, 8-1/4"
38	4226XG0 (Not Illustrated)	Retainer, Hydraulic Transport
39	1046C13 (Not Illustrated)	Decal, Transport Lock
40	1069A	Jack Mount Bracket
41	N34-TL	Nut, 3/4" Top Lock Nut
42	B34-5GRD8	Bolt, 3/4"x 5" Grade 8



PARTS CATALOG

ALWAYS ORDER BY PART NUMBER - NOT BY ITEM NUMBER

PLANTER ASSEMBLY (AFTER 8/93) - PAGE 1 OF 4





PARTS CATALOG

ALWAYS ORDER BY PART NUMBER – NOT BY ITEM NUMBER

PLANTER ASSEMBLY (AFTER 8/1/93) – PAGE 2 OF 4

ITEM NO.	PART NUMBER	DESCRIPTION
0	125453 (11 1/2" Band - After 10/98) (Standard -98)	Blade, Band, Case, Bearing - Assembled Includes: K202M, 1097, M1677683, JD85204*, 16H630
	12545C3 (12" Band - 10/98-06/30/06) (Standard 98-06/30/06)	Blade, Band, Case, Bearing - Assembled Includes: K202M, 1097C, M1677683, JD85204*,16H630
	12545C5 (12" Band – Standard after 07/01/06)	Blade, Band, Case, Bearing - Assembled Includes: K202M5, 1097C, M1677685, JD85205*, 16H630
	12545A3 (12 1/2" Band - Fits Blades 74-)	Blade, Band, Case, Bearing - Assembled Includes: K202M, 1097A, M1677683, JD85204*,16H630
	KK-254M53	Blade, Case, Bearing Assembly (98-006/30/06) Includes: K202M, M1677683, JD85204*, 16H630
	KK-254M55	Blade, Case, Bearing Assembly (07/01/06) Includes: K202M5, M1677685, JD85205*, 16H630
	AM1128673 AM1128675	Case & Bearing Assembly: (98-06/30/06) JD85204*, M1677683 (07/01/06 -) JD85205, M1677685
	12700 (98 – 06/30/2006) 12800 (07/01/2006 -)	Planter Assembly: Furrow Opener w/0888 Boot (Black) Includes Press Wheel Assembly #1034A1
	1034A1	Press Wheel Assembly w/ Spring and "h" Frame - Black Used with Black Boot #0888 Includes: 10251, 1093A1, B12-4, JN12, MB12
1093A1 (After 8/93 w/Axle Bolt)	Press Wheel Assembly (8/93-) Includes: 1094, 1093AC, 1092A1, B14-.625(6), N14-FN(6) B12-4, MB12, JN12	
1	0888	Boot (Shoe) - Black
2	10251	"h" Frame - Black
3	10321	Lift Bracket
4	CB516-4.5 (1081)	Carriage Bolt, 5/16"x 4-1/2"
5	10845	Scraper, Left or Right Hand (11-1/2" Depth Band)
	10845F-RH (Not Illustrated)	Scraper, Right Hand (9-1/2" Depth Band)
	10845F-LH (Not Illustrated)	Scraper, Left Hand (9-1/2" Depth Band)
6	1087	Spring, Scraper
7	N516-FNL (1088)	Nut, 5/16" Flanged Locking Nut
8	JD8573	Bearing.(74-98). Bearing, (98-06/30/06) – Deere#AA21480 Bearing, (07/01/06 -) – Great Plains #188-001V
	JD85204*	
	JD85205	
9	3095	Cap, Bolt Style (10/98-06/30/06)
	4095	Cap, Bolt Style (07/01/06 -)
*NOTE: Truax Part #JD85204 is equivalent to John Deere Part #AA21480 JD85205 equivalent to GP#188-001V		



PARTS CATALOG

ALWAYS ORDER BY PART NUMBER – NOT BY ITEM NUMBER

PLANTER ASSEMBLY (AFTER 8/1/93) – PAGE 3 OF 4

ITEM NO.	PART NUMBER	DESCRIPTION
10	10845A	Scraper Assembly, Outside (11-1/2" Depth Band)
11	10845CA	Scraper Assembly, Outside (12" Depth Band)
12	10845BA	Scraper Assembly, Outside (12-1/2" Depth Band)
13	10845B-LH	Scraper, Left Hand (12-1/2" Depth Band)
14	10845B-RH	Scraper, Right Hand (12-1/2" Depth Band)
15	10845C-LH	Scraper, Left Hand (12" Depth Band)
16	10845C-RH	Scraper, Right Hand (12" Depth Band)
17	1092A1	Bearing , Non Regreasable (Regreasable Not Available)
18	N12-CLJN	Jam Nut, 1/2" Clincher Jam Nut
19	1093AC	Rim, Press Wheel
20	N12-JN	Nut, 1/2" Jam Nut
22	1094	Tire, Press Wheel (1.75"x 10")
23	10961	Spring, Torsion
24	1097 (Standard, -98)	Depth Band, 11-1/2" Diameter
	1097C (Standard, 98-06/30/06)	Depth Band, 12 Diameter
	1097C* (Standard 07/01/06 -)	Depth Band, 12 Diameter with 3-3/4" Center Hole Diameter
	1097A (Optional)	Depth Band, 12-1/2" Diameter
	1097F (Optional)	Depth Band, 9-1/2" Diameter
25	1100 (or JD#M15226)	Spacer - 5/8" ID, 3/4" OD
26	16H630	Rivets, 1/4"x 3/8" (-6/00)
		Rivets, 1/4"x 7/16" (6/00-)
27	2095	Cap, Force Style (-10/98)
30	W14	Washer, 1/4"
31	N516-FN	Nut, 5/16" Flange Nut
32	N516-CL	Nut, 5/16" Clincher Nut
33	W12	Washer, 1/2"
34	N12-CL	Nut, 1/2" Clincher Nut
35	B12-2.5	Bolt, 1/2"x 2-1/2"
36	B12-1.5	Bolt, 1/2"x 1-1/2"
37	B12-5.25	Bolt, 1/2"x 5-1/4"
38	10252	Bushing, Connex - Boot Casting - 3/4" OD, 1/2" ID, 3-1/4" L
39	B14-.625	Bolt, 1/4"x 5/8"
40	B12-4	Bolt, 1/2"x 4" Press Wheel Axle
41	B516-1.5GRD8	Bolt, 5/16"x 1-1/2" Grade 8
43	MB12-.125	Machine Bushing, 1/2"x .0125 Thickness (serrated washer between casting ears)
44	CB38-.75	Carriage Bolt, 3/8"x 3/4" Sht-N
45	JD8573A	Spacer (Obsolete 01/01/98)
46	JD85204	Bearing (98-06/30/06)
	JD85205	Bearing (07/01/06 -)
47	K301M	Hex Head Cap Screw 5/8"-11 x 1-3/8" L.H. (98-)
48	K300M	Hex Head Cap Screw 5/8"-11 x 1-3/8" R.H. (98-)
49	K202M	Blade Only (0.137 thickness after 6/00 requires 7/16" rivet)



PARTS CATALOG

ALWAYS ORDER BY PART NUMBER – NOT BY ITEM NUMBER

PLANTER ASSEMBLY (AFTER 8/1/93) – PAGE 4 OF 4

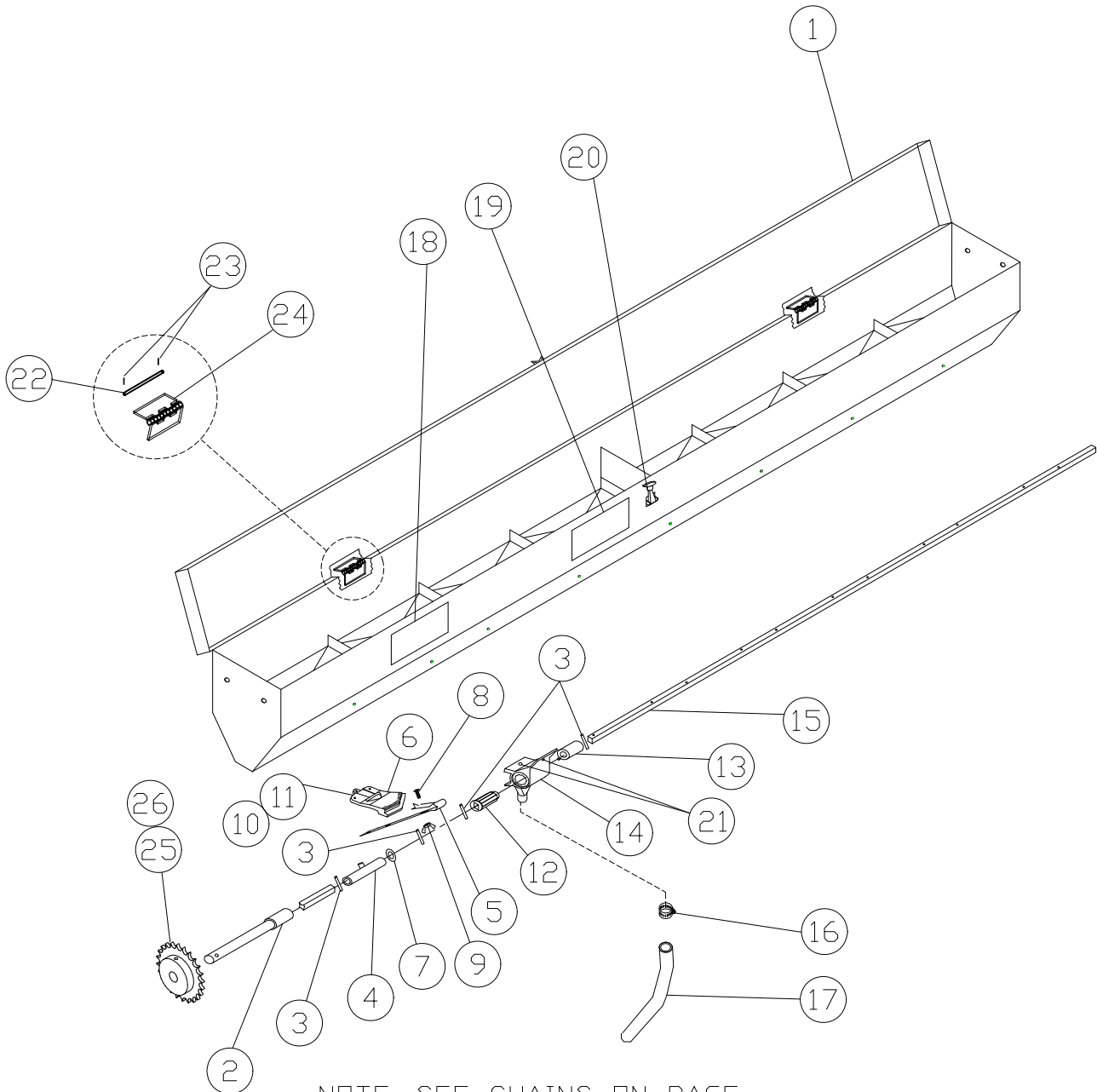
ITEM NO.	PART NUMBER	DESCRIPTION
50	LW38-PN	Lockwasher, 3/8" Push Nut (Pal Nut)
51	M-17520	Seal (Required before 10/98), (Optional after 10/98)
52	M167768	Case, For Bearing JD8573 (Old Production Before 10/98)
54	N14-FN	Nut, 1/4" Flange Nut
55	N38-FN	Nut, 3/8" Flange Nut
56	10995A 10995B 10995C	Scraper Assembly, Depth Band (Plastic Scraper) , (1/96-) Scraper Assembly, Depth Band (Hardened Metal Scraper) , (2/02-) Scraper Assembly, Depth Band (Plastic Scrapers and Hardened Metal Scraper) , (2/02-)
57	M1677683 M1677685	Case - For Bearing JD85204 (10/98-06/30/06) Case - For Bearing JD85205 (07/01/06 -)
58	AM11828	Scraper Assembly - Inside
59	10996A	Scraper, Bracket, Cast Iron (1/96-)
60	10995	Scraper, Plastic
61	W516	Washer, 5/16"
62	B516-1.25	Bolt, 5/16"x 1-1/4"
63	1201	Bolt, 1/2"x 3" With Welded Collar
64	AM50919	Assembly, Scraper Kit (Replaced by Part #AM11828)
66	1093C	Drag Chain Kit
67	1093CC	Drag Chain Assembly - 0888 (92-)
68	1093C2	Drag Chain Mount - 0888
69	8955XA	Chain, Planter Support - 9 Links (8 Twisted and 1 Straightened)
70	1200 1201	Spacer, "h" Frame (Obsolete) Bolt, 1/2"x 3" With Welded Collar
71	38880	Disc Guard
72	109953	Scraper, Hardened Steel (After 2/15/02)



PARTS CATALOG

ALWAYS ORDER BY PART NUMBER - NOT BY ITEM NUMBER

SMALL SEED BOX - PAGE 1 OF 2



NOTE: SEE CHAINS ON PAGE
90-51 FOR SMALL SEED BOX
DRIVE CHAIN



PARTS CATALOG

ALWAYS ORDER BY PART NUMBER – NOT BY ITEM NUMBER

SMALL SEED BOX – PAGE 2 OF 2

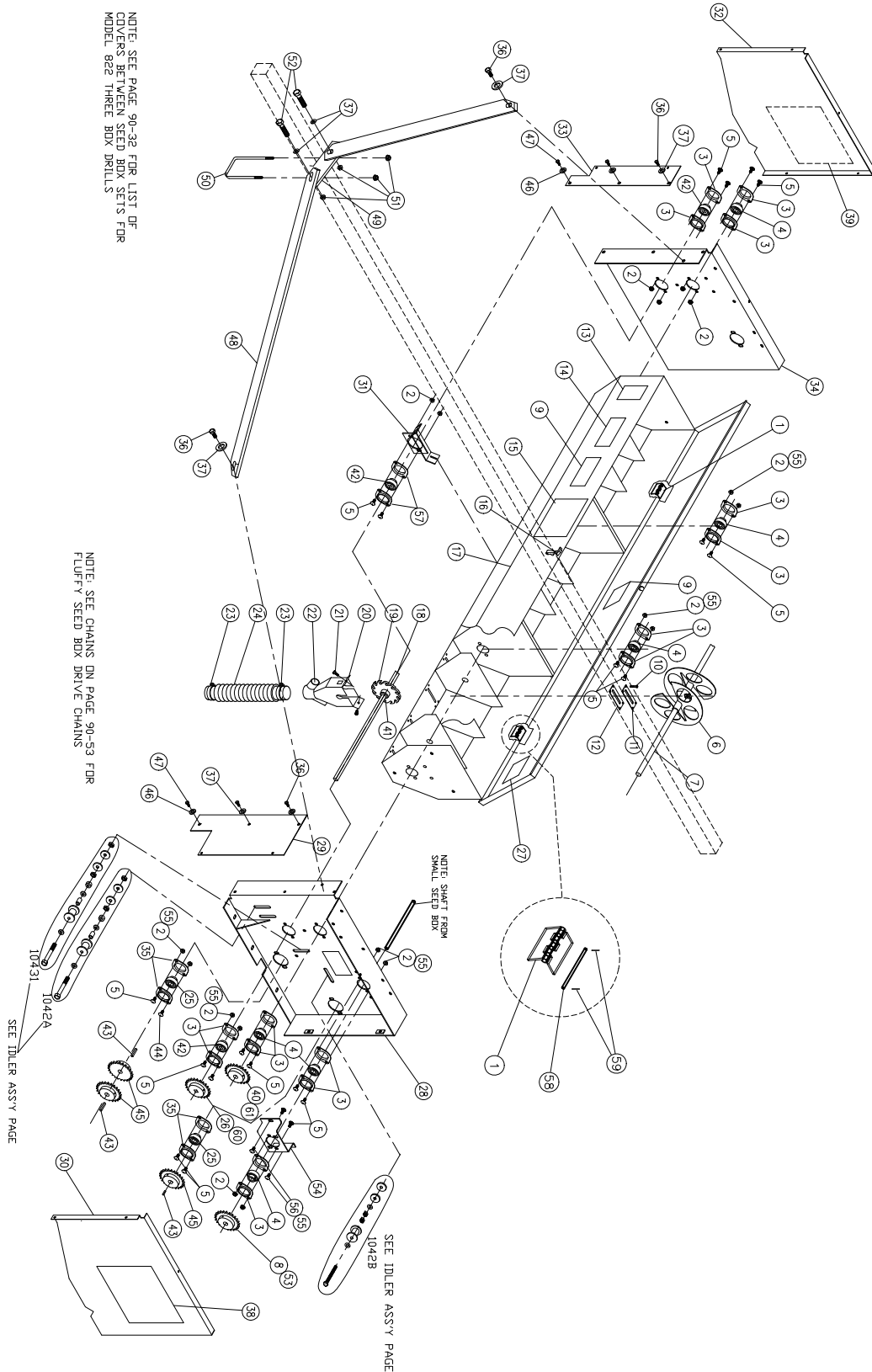
ITEM NO.	PART NUMBER	DESCRIPTION
1	1038 (12 Row, 8" Sp.)	Small Seed Box
	1038E (8 Row, 8" Sp.)	
	1038F (16 Row, 8" Sp.)	
	1038G (12 Row, 10" Sp.)	
	1038I (18 Row, 8" Sp.)	
	1038J1 (6 Row, 8" Sp.)	
	1038K (22 Row, 8" Sp.)	
	1038K1 (22 Row, 8" Sp.)	Mdl.822 Typical
2	1010	Coupler
3	RP18-.875	Roll Pin, 1/8" x 7/8"
4	1130	Shifter Spool
5	1131	Lever, Shifter
6	1129	Mount, Shifter
7	MB12-.15 (or JD#N160437)	Spacer, .015 Thick, (Use as Needed)
8	CB14-.75	Carriage Bolt, 1/4" x 3/4"
9	WN14	Wing Nut, 1/4"
10	B14-1 (Not Illustrated)	Bolt, 1/4" x 1"
11	N14-FNL (Not Illustrated)	Nut, 1/4", Flanged Locking Nut
12	M10274	Roll, Feed (After Serial #2909 use part # 731274)
13	M10017	Cut-Off, Feed (After Serial#2909 use part # 731017)
14	AN-162555	Cup Assembly w/Snap Ring (After Serial#2909 use part # 73102A)
15	1048 (12 Row, 8" Sp.)	Shaft, 3/8" Square
	1048E (8 Row, 8" Sp.)	
	1048F (16 Row, 8" Sp.)	
	1048G (12 Row, 10" Sp.)	
	1048I (18 Row, 8" Sp.)	
	1048J (6 Row, 8" Sp.)	
	1048K (11 Row, 8" Sp.)	
16	1013	Clamp, Hose, #10 or #12
17	1012A	Hose, Small, Black Plastic, 1991-
18	1046C2	Decal, Chain Drive Keep Clear
19	1046C5	Decal, Do Not Tow Over 20 MPH
20	1038J	Lid Retainer
21	SCH14-.5	Socket Head Cap Screw 1/4" - 20 x1/2"
22	1038HP	Hinge, Pin - Brass 7/32"x 3-1/4"
23	CP116-.5	Cotter Pin, 1/16"x 1/2"
24	1038H	Hinge, Lid
25	1055 (40B20) Standard	Sprocket, 3/4" Round Bore
	1054A (40B30) Optional	
26	RP316-2 (Not Illustrated)	Roll Pin, 3/16"x 2"



PARTS CATALOG

ALWAYS ORDER BY PART NUMBER - NOT BY ITEM NUMBER

LARGE (FLUFFY) SEED BOX ASSEMBLY - PAGE 1 OF 3





PARTS CATALOG

ALWAYS ORDER BY PART NUMBER – NOT BY ITEM NUMBER

LARGE (FLUFFY) SEED BOX ASSEMBLY – PAGE 2 OF 3

ITEM NO.	PART NUMBER	DESCRIPTION
1	1038H	Hinge, Lid
2	N516-CL	Nut, 5/16" Clincher Nut
3	1007A	Flangettes, Bearing 47 MST
4	1007	Bearing, 3/4" Spherical
5	CB516-.75	Carriage Bolt, 5/16" x 3/4"
6	1049A	Agitator, Auger
7	1004 (12 Row - 8" Sp.) 1004E (8 Row - 8" Sp.) 1004F (16 Row - 8" Sp.) 1004G (12 Row - 10" Sp.) 1004I (18 Row - 8" Sp.) 1004J (6 Row - 8" Sp.) 1004K (11 Row - 8" Sp.)	Shaft, 3/4" Round Mdl. 822 - Requires 2
8	1055 (40B20) Standard 1054A (40B30) Optional	Sprocket, 3/4" Round Bore
9	1046C8	Decal, Warning Rotating Parts
10	2010	Screw, Hex Head, 6-32 ST
11	1005	Retainer Plates
12	1006	Seed Gaskets
13	2008C2	Reflector, 5" x 5"
14	1046C3-A	Decal, DO NOT Ride (DANGER)
15	1046C7	Decal, Truax Buffalo
16	1038J	Lid Retainer (Rubber Strap Bracket)
17	1001 (12 Row - 8" Sp.) 1001E (8 Row - 8" Sp.) 1001F (16 Row - 8" Sp.) 1001G (12 Row - 10" Sp.) 1001I (18 Row - 8" Sp.) 1001J (6 Row - 8" Sp.) 1001K (11 Row - 8" Sp.) 1001K1 (11 Row - 8" Sp.)	Seed Box, Large (Fluffy) Mdl. 822 - Non-Typical Mdl. 822 - Typical
18	2003 (12 Row - 8", Sp.) 2003E (8 Row - 8" Sp.) 2003F (16 Row - 8" Sp.) 2003G (12 Row - 10" Sp.) 2003I (18 Row - 8" Sp.) 2003J (6 Row - 8" Sp.) 2003K (11 Row - 8" Sp.)	Shaft, 1/2" Square Mdl. 822 - Requires 2
19	2002	Picker Wheel, 1/2" Square Bore
20	1033	Transition
21	B14-.625	Bolt, 1/4" x 5/8"
22	1033A	Plug, Transition (No Longer OEM)
23	1009	Clamp, Seed Hose, #36
24	1018	Seed Hose, Convoluted 2-1/4"
25	3007	Bearing, 1" Spherical
26	1055A (40B20, Prior to 6/1/93) 1055A1 (40B30, After 6/1/93)	Sprocket, 1/2" Square Bore



PARTS CATALOG

ALWAYS ORDER BY PART NUMBER – NOT BY ITEM NUMBER

LARGE (FLUFFY) SEED BOX – PAGE 3 OF 3

ITEM NO.	PART NUMBER	DESCRIPTION
27	1046C1	Decal, Calibration, 8" & 10"
28	103624 1036235 (Not Illustrated)	End Plate, RH - FLXII End Plate, RH - FLXII (Mdl.822 Non-Typical/Non-Drive End)
29	1036245	Cover, End RH – FLXII (Has hole for acre meter)
30	1036243	Cover, Front RH - FLXII
31	10316	Bearing Support, FLXII
32	1036233	Cover, Front LH - FLXII
33	1036236	Cover, End LH - FLXII
34	103623 1036221 (Not Illustrated)	End Plate, LH - FLXII End Plate, LH - FLXII (Mdl.822 Non-Typical/Drive End)
35	3007A	Flangettes, 52 MST
36	B38-.75	Bolt, 3/8" x 3/4"
37	W38	Washer, 3/8"
38	1046C78	Decal, FLXII (RH)
39	1046C77	Decal, FLXII (LH)
40	1054A (40B30)	Sprocket, 3/4" Round Bore
41	SC516-18-.375	Set Screw, 5/16" x 3/8"
42	2007	Bearing, 1/2" Square Bore
43	1110	Key, 1/4" Square - 1-1/4"
44	CB516-1	Carriage Bolt, 5/16" x 1"
45	1045A (40B18)	Sprocket, 1" Round Bore - KY & SS
46	W14	Washer, 1/4"
47	B14-.625	Bolt, 1/4" x 5/8"
48	1036-1005 1036-10051	Strut, Frame - FLXII Strut, Frame - FLXII Mdl.86
49	1036-1006	Strut, Mount Bracket
50	UB38-3.75-2	U-Bolt, 3/8"x 3-3/4"x 2"
51	N38-CL	Nut, 3/8" Clincher Nut
52	B38-1.25	Bolt, 3/8"x 1-1/4"
53	RP316-2 (Not Illustrated)	Roll Pin, 3/16"x 2"
54	103626	Support, Bearing
55	W516 (Not Illustrated)	Washer, 5/16"
56	B516-.750	Bolt, 5/16"x 3/4"
57	1007B	Flangettes, 47 MST (Flattened Edge)
58	1038HP	Hinge, Pin - Brass 7/32"x 3-1/4"
59	CP116-.5	Cotter Pin, 1/16"x 1/2"
60	CP532-3 (Not Illustrated)	Cotter Pin, 5/32"x 3"
61	RP316-2.5 (Not Illustrated)	Roll Pin, 3/16"x 2-1/2"
62	344410 (Not Illustrated) 344411 (Not Illustrated)	Hose Protector RH – Model 822 Hose Protector LH – Model 822



PARTS CATALOG

ALWAYS ORDER BY PART NUMBER – NOT BY ITEM NUMBER

COOL SEASON/GRAIN SEED BOX (USED W/FLUFFY BOX) – PAGE 2 OF 4

ITEM NO.	PART NUMBER	DESCRIPTION
4	MB12-.62 (1040B)	Bushing, 3/4" OD, 1/2" ID, 0.062" Thickness
5	1041A	Spool, Plastic
6	N12	Nut, 1/2"
7	1041A2	Bushing, Idler Spool
8	1046C8	Decal, Rotating Parts
9	1046C7	Decal, Truax Buffalo
10	1046C3-A	Decal, DO NOT Ride (Danger)
11	2008C2	Reflector, 5"x 5"
12	1036241	End Plate, RH CS, FLXII
	1036242 (Not Illustrated)	End Plate, RH CS, FLXII (Mdl.822 Non-Typical/Non-Drive End)
13	1036231	End Plate, LH CS, FLXII
	1036232 (Not Illustrated)	End Plate, LH CS, FLXII (Mdl.822 Non-Typical/Drive End)
14	1036234 (Not Illustrated)	Cover, Rear, LH, FLXII
15	1036244 (Not Illustrated)	Cover, Rear, RH, FLXII
16	3001 (FLXII-812)	Box, Cool Season/Grain Seed, FLXII
	3001E (FLXII-88)	
	3001F (FLXII-816)	
	3001G (FLXII-1012)	
	3001H (FLXII-610)	
	3001I (FLXII-818)	
	3001J (FLXII-86)	
	3001K (FLXII-822)	
3001K1 (FLXII-822)	Mdl. 822 Non-Typical	
3001L (FLXII-810)	Mdl. 822 Typical	
20	3169 (Not Illustrated)	Collar, Shaft, 1-1/4" (Not Used After 1/1/96)
21	1055	Sprocket, 40B20, 3/4" Bore (Standard)
22	RP316-2	Roll Pin, 3/16" x 2"
23	M60862 (Not Illustrated)	Bearing Shifter - Before Mid 1998 (Replaced by #M608621)
	M608621	Bearing Shifter - After Mid 1998
24	3205	Shifter, Handle
25	3229	Shifter Quad
26	B12-1	Bolt, 1/2" x 1"
27	NH38	Nut Handle, 3/8" (Replaces Wing Nut 3/8" in 98-)
28	B38-1SQ	Bolt, 3/8"x 1" Square Head
29	RP18-1.25	Roll Pin, 1/8"x 1-1/4"
30	AN-212650	Seed Cup, Cool Season Box (After Serial #2925 use double spout seed cup: part # 731003A)
31	3225	Agitator, 3/16"x 3-1/2"
32	TM60823	Spacer, 5/8" Square Hole - 0.158" Thickness
33	SC14-20-.375	Set Screw, 1/4" x 3/8"
34	TS-72M	Spring
35	3213	Clamp, Hose, #20
36	1009	Clamp, Seed Hose, #36 (Used w/34441)



PARTS CATALOG

ALWAYS ORDER BY PART NUMBER – NOT BY ITEM NUMBER

COOL SEASON/GRAIN SEED BOX (USED W/FLUFFY BOX) – PAGE 3 OF 4

ITEM NO.	PART NUMBER	DESCRIPTION
37	34441	Hose, Seed, Convolutd (After 1993)
38	M60865	Fluted Roll (After Serial#2925 use part # 731865)
39	M60864	Shut-Off (After Serial#2925 use part # 731864)
40	3103 (12 Row-8"sp) 3103E (8 Row-8"sp) 3103F (16 Row-8"sp) 3103G (12 Row-10"sp) 3103H (10 Row-6"sp) 3103I (18 Row-8"sp) 3103J (6 Row-8"sp) 3103K (11 Row-8"sp) 3103L (10 Row-8"sp)	Shaft, 5/8" Square Mdl. 822 - Requires 2
41	3221 (12 Row-8"sp) 3221E (8 Row-8"sp) 3221F (16 Row-8"sp) 3221G (12 Row-10"sp) 3221H (10 Row-6"sp) 3221I (18 Row-8"sp) 3221J (6 Row-8"sp) 3221K (11 Row-8"sp) 3221L (10 Row-8"sp)	Shaft, 3/4" Round Mdl. 822 - Requires 2
42	1045A	Sprocket, 40B18KY & SS
43	15-710	Shaft, Input
44	1110	Key, Square, 1/4" x 1-1/2"
45	W12	Washer, 1/2"
46	B14-.625	Bolt, 1/4" x 5/8"
48	1038J	Lid Retainer Rubber
49	1036233 (Not Illustrated)	Cover, Front (LH) - FLXII
50	1046C77 (Not Illustrated)	Decal, FLXII (LH)
51	1036243 (Not Illustrated)	Cover, Front (RH) - FLXII
52	1046C78 (Not Illustrated)	Decal, FLXII (RH)
53	3177	Bearing Support Plate
54	1040C	Collar, 1/2" ID x 3/4" OD (with Set Screw)
55	B12-4	Bolt, 1/2"x 4"
56	3176 (Not Illustrated) 3178 (Not Illustrated)	Bearing Support, Cool Season Bearing Support, Cool Season (Mdl. 822 Non-Typical)
57	TM60826	Thrust Washer, Delrin® - 0.125" Thickness
58	TM60825	Thrust Washer Backer - 0.115" Thickness
59	TM608231	Spacer, 5/8" Square Hole - 0.120" Thickness
60	B38-.750	Bolt, 3/8"x 3/4"
61	1007	Bearing, 3/4" Spherical
62	1007A	Flangettes, Bearing - 47MST
63	CB516-.75	Carriage Bolt, 5/16"x 3/4"
64	W516	Washer, 5/16"
65	N516-CL	Nut, 5/16" Clincher Nut



PARTS CATALOG

ALWAYS ORDER BY PART NUMBER – NOT BY ITEM NUMBER

COOL SEASON/GRAIN SEED BOX (USED W/FLUFFY BOX) – PAGE 4 OF 4

ITEM NO.	PART NUMBER	DESCRIPTION
66	3175	Bearing, 1-1/4" Spherical
67	3181	Flangette, MS-62
68	CB516-1	Carriage Bolt, 5/16"x 1"
69	3095X 3095X1 (Optional Sprocket)	Sprocket, Double 30/20 (93-) Sprocket, Double 42/20 (96-)
70	B516-1	Bolt, 5/16"x 1"
71	B38-1	Bolt, 3/8"x 1"
72	W38	Washer, 3/8"
73	N38-CL	Nut, 3/8" Clincher Nut
74	30012D	Row Divider, Cool Season Box - Left Box End
75	30012E	Row Divider, Cool Season Box - Left Side Box Divider
76	30012F	Row Divider, Cool Season Box - Right Side Box Divider
77	30012B	Row Divider, Cool Season Box - Over Shifter Handle
78	30012A	Row Divider, Cool Season Box - Standard
79	30012C	Row Divider, Cool Season Box - Right Box End
80	1038H	Hinge, Lid
81	1038HP	Hinge, Pin - Brass 7/32"x 3-1/4"
82	CP116-.5	Cotter Pin - 1/16"x 1/2"
83	1036246B (Not Illustrated)	Cover, Rear Plate Between Seed Box Sets For Model 822 (3 Box Drill)
84	1036249 (Not Illustrated)	Cover, Top Plate Between Seed Box Sets For Model 822 (3 Box Drill)
85	1036246A (Not Illustrated)	Cover, Front Plate Between Seed Box Sets For Model 822 (2 or 3 Box Drills)
86	B14-.625 (Not Illustrated)	Bolt, 1/4"x 5/8"
87	W14 (Not Illustrated)	Washer, 1/4"
88	MB38 (Not Illustrated)	Machine Bushing, 3/8" ID x .032 Thickness



PARTS CATALOG

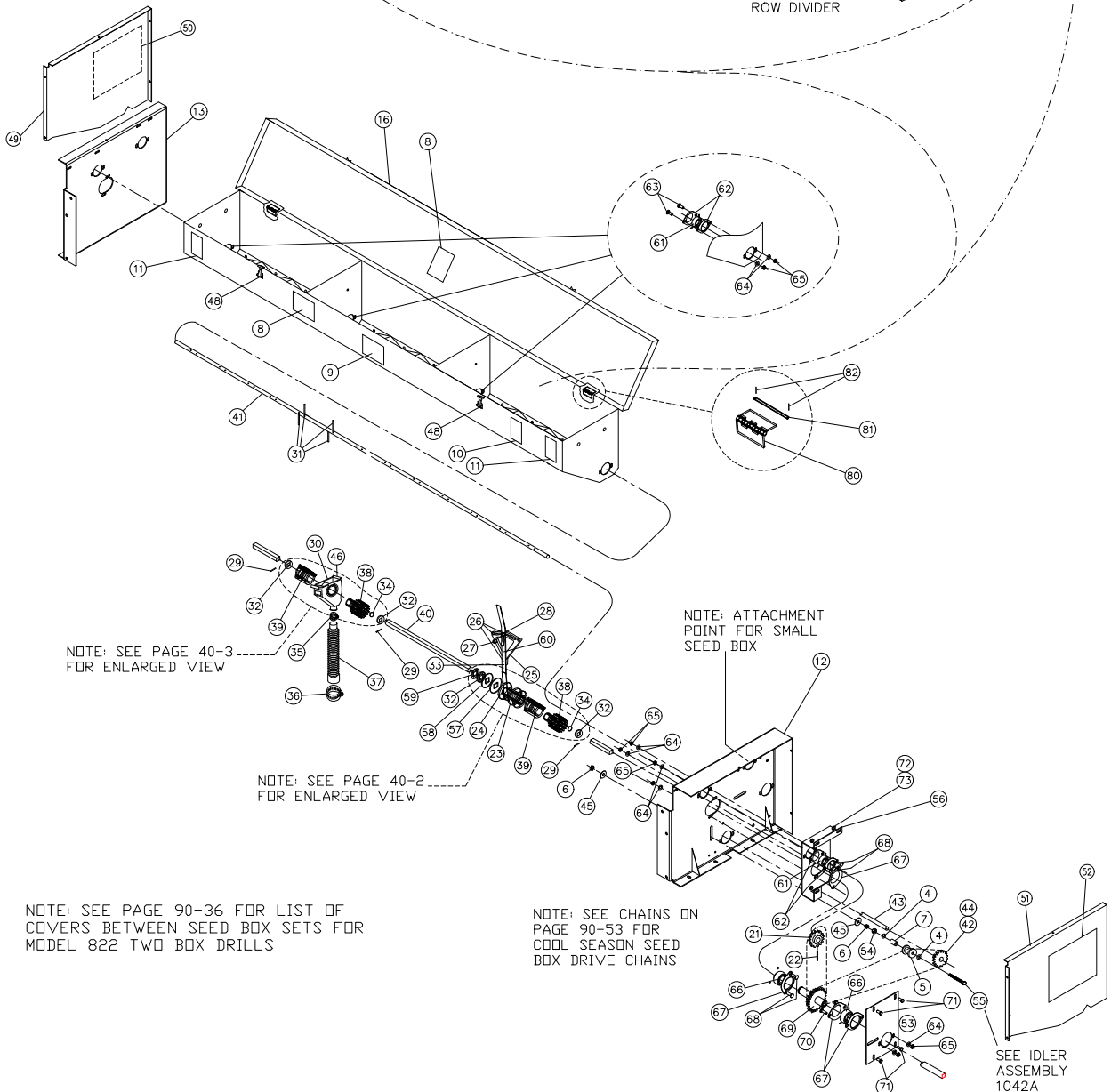
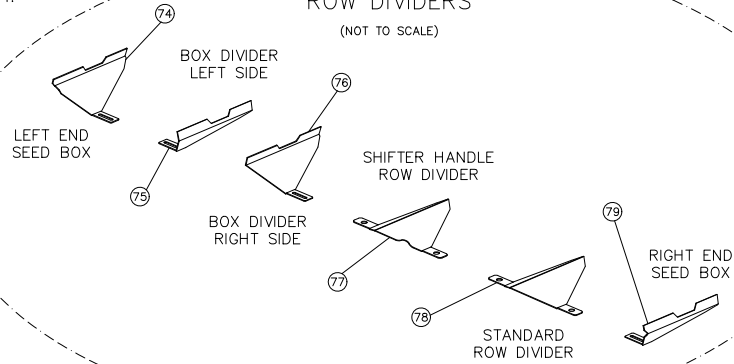
ALWAYS ORDER BY PART NUMBER - NOT BY ITEM NUMBER

COOL SEASON/GRAIN SEED BOX (NOT FITTED W/FLUFFY BOX) - PAGE 1 OF 4

NOTE: WHEN ROW DIVIDERS ARE INSTALLED REPLACE THE REAR SEED CUP B14-.625 WITH B14-.750 AND ADD W14 AND N14.

OPTIONAL SEED BOX ROW DIVIDERS

(NOT TO SCALE)





PARTS CATALOG

ALWAYS ORDER BY PART NUMBER – NOT BY ITEM NUMBER

COOL SEASON/GRAIN SEED BOX (NOT FITTED W/FLUFFY BOX) – PAGE 2 OF 4

ITEM NO.	PART NUMBER	DESCRIPTION
4	MB12-.062 (1040B)	Bushing, 3/4" OD, 1/2" ID, 0.062" Thickness
5	1041A	Spool, Plastic
6	N12	Nut, 1/2"
7	1041A2	Bushing, Idler Spool
8	1046C8	Decal, Rotating Parts
9	1046C7	Decal, Truax Buffalo
10	1046C3-A	Decal, DO NOT Ride (Danger)
11	2008C2	Reflector, 5"x 5"
12	10362301	End Plate, RH CS, FLXII
	10362303 (Not Illustrated)	End Plate, RH CS, FLXII (Mdl.822 Non-Typical/Non-Drive End)
13	1036230	End Plate, LH CS, FLXII
	10362302 (Not Illustrated)	End Plate, LH CS, FLXII (Mdl.822 Non-Typical/Drive End)
14	1036234 (Not Illustrated)	Cover, Rear, LH, FLXII
15	1036244 (Not Illustrated)	Cover, Rear, RH, FLXII
16	3001 (FLXII-812)	Box, Cool Season/Grain Seed, FLXII
	3001E (FLXII-88)	
	3001F (FLXII-816)	
	3001G (FLXII-1012)	
	3001H (FLXII-610)	
	3001I (FLXII-818)	
	3001J (FLXII-86)	
	3001K (FLXII-822)	
3001K1 (FLXII-822)	Mdl. 822 Non -Typical	
3001L (FLXII-810)	Mdl. 822 Typical	
20	3169 (Not Illustrated)	Collar, Shaft, 1-1/4" (Not Used After 1/1/96)
21	1055	Sprocket, 40B20, 3/4" Bore (Standard)
22	RP316-2	Roll Pin, 3/16"x 2"
23	M60862 (Not Illustrated)	Bearing Shifter - Before Mid 1998 (Replaced by # M608621)
	M608621	Bearing Shifter - After Mid 1998
24	3205	Shifter, Handle
25	3229	Shifter Quad
26	B12-1	Bolt, 1/2"x 1"
27	NH38	Nut Handle, 3/8" (Replaces Wing Nut 3/8" in 98-)
28	B38-1SQ	Bolt, 3/8"x 1" Square Head
29	RP18-1.25	Roll Pin, 1/8"x 1-1/4"
30	AN-2126501 (AN-280091 - 01/01/04)	Seed Cup, Cool Season Box – (After Serial #2925 use part # 731003A)
31	3225	Agitator, 3/16"x 3-1/2"
32	TM60823	Spacer, 5/8" Square Hole - 0.158" Thickness
33	SC14-20-.375	Set Screw, 1/4"x 3/8"
34	TS-72M	Spring
35	3213	Clamp, Hose, #20



PARTS CATALOG

ALWAYS ORDER BY PART NUMBER – NOT BY ITEM NUMBER

COOL SEASON/GRAIN SEED BOX (NOT FITTED W/FLUFFY BOX) – PAGE 3 OF 4		
ITEM NO.	PART NUMBER	DESCRIPTION
36	1009	Clamp, Seed Hose, #36 (Used w/#34441)
37	34441	Hose, Seed, Convolutd (After 1993)
38	M60865	Fluted Roll (After Serial#2925 use part # 731865)
39	M60864	Shut-Off (After Serial#2925 use part # 731864)
40	3103	(12 Row-8"sp)
	3103E	(8 Row-8"sp)
	3103F	(16 Row-8"sp)
	3103G	(12 Row-10"sp)
	3103H	(10 Row-6"sp)
	3103I	(18 Row-8"sp)
	3103J	(6 Row-8"sp)
	3103K	(11 Row-8"sp)
	3103L	(10 Row-8"sp)
		Shaft, 5/8" Square
		Mdl. 822 – Requires 2
41	3221	(12 Row-8"sp)
	3221E	(8 Row-8"sp)
	3221F	(16 Row-8"sp)
	3221G	(12 Row-10"sp)
	3221H	(10 Row-6"sp)
	3221I	(18 Row-8"sp)
	3221J	(6 Row-8"sp)
	3221K	(11 Row-8"sp)
	3221L	(10 Row-8"sp)
		Shaft, 3/4" Round
		Mdl. 822 – Requires 2
42	1045A	Sprocket, 40B18KY & SS
43	15-710	Shaft, Input
44	1110	Key, Square, 1/4" x 1-1/2"
45	W12	Washer, 1/2"
46	B14-.625	Bolt, 1/4" x 5/8"
48	1038J	Lid Retainer Rubber
49	1036233	Cover, Front (LH) - FLXII
50	1046C77	Decal, FLXII (LH)
51	1036243	Cover, Front (RH) - FLXII
52	1046C78	Decal, FLXII (RH)
53	3177	Bearing Support Plate
54	1040C	Collar, 1/2" ID x 3/4" OD (with Set Screw)
55	B12-4	Bolt, 1/2"x 4"
56	3176	Bearing Support, Cool Season
	3178	(Not Illustrated) Bearing Support, Cool Season (Mdl. 822 Non Typical)
57	TM60826	Thrust Washer, Delrin® - 0.125" Thickness
58	TM60825	Thrust Washer Backer – 0.115" Thickness
59	TM608231	Spacer, 5/8" Square Hole – 0.120" Thickness
60	B38-.75	Bolt, 3/8"x 3/4"
61	1007	Bearing, 3/4" Spherical
62	1007A	Flangettes, Bearing - 47MST
63	CB516-.75	Carriage Bolt 5/16"x 3/4"



PARTS CATALOG

ALWAYS ORDER BY PART NUMBER – NOT BY ITEM NUMBER

COOL SEASON/GRAIN SEED BOX (NOT FITTED W/FLUFFY BOX) – PAGE 4 OF 4

ITEM NO.	PART NUMBER	DESCRIPTION
64	W516	Washer, 5/16"
65	N516-CL	Nut, 5/16" Clincher Nut
66	3175	Bearing, 1-1/4" Spherical
67	3181	Flangette, MS-62
68	CB516-1	Carriage Bolt, 5/16"x 1"
69	3095X 3095X1 (Optional Sprocket)	Sprocket, Double 30/20 (93-) Sprocket, Double 42/20 (96-)
70	B516-1	Bolt, 5/16"x 1"
71	B38-1	Bolt, 3/8"x 1"
72	W38	Washer, 3/8"
73	N38-CL	Nut, 3/8" Clincher Nut
74	30012D	Row Divider, Cool Season Box - Left End Of Box
75	30012E	Row Divider, Cool Season Box - Left Side Of Box Divider
76	30012F	Row Divider, Cool Season Box – Right Side Of Box Divider
77	30012B	Row Divider, Cool Season Box – Over Shifter Handle
78	30012A	Row Divider, Cool Season Box – Standard
79	30012C	Row Divider, Cool Season Box – Right End Of Box
80	1038H	Hinge, Lid
81	1038HP	Hinge, Pin - Brass 7/32"x 3-1/4"
82	CP116-.5	Cotter Pin – 1/16"x 1/2"
83	1036246B (Not Illustrated)	Cover, Rear Plate Between Seed Box Sets For Model 822 (2 Box Drill)
84	1036250 (Not Illustrated)	Cover, Top Plate Between Seed Box Sets For Model 822 (2 Box Drill)
85	1036246A (Not Illustrated)	Cover, Front Plate Between Seed Box Sets For Model 822 (2 or 3 Box Drills)
86	B14-.625 (Not Illustrated)	Bolt, 1/4"x 5/8"
87	W14 (Not Illustrated)	Washer, 1/4"
88	MB38 (Not Illustrated)	Machine Bushing, 3/8" ID x .032 Thickness



PARTS CATALOG

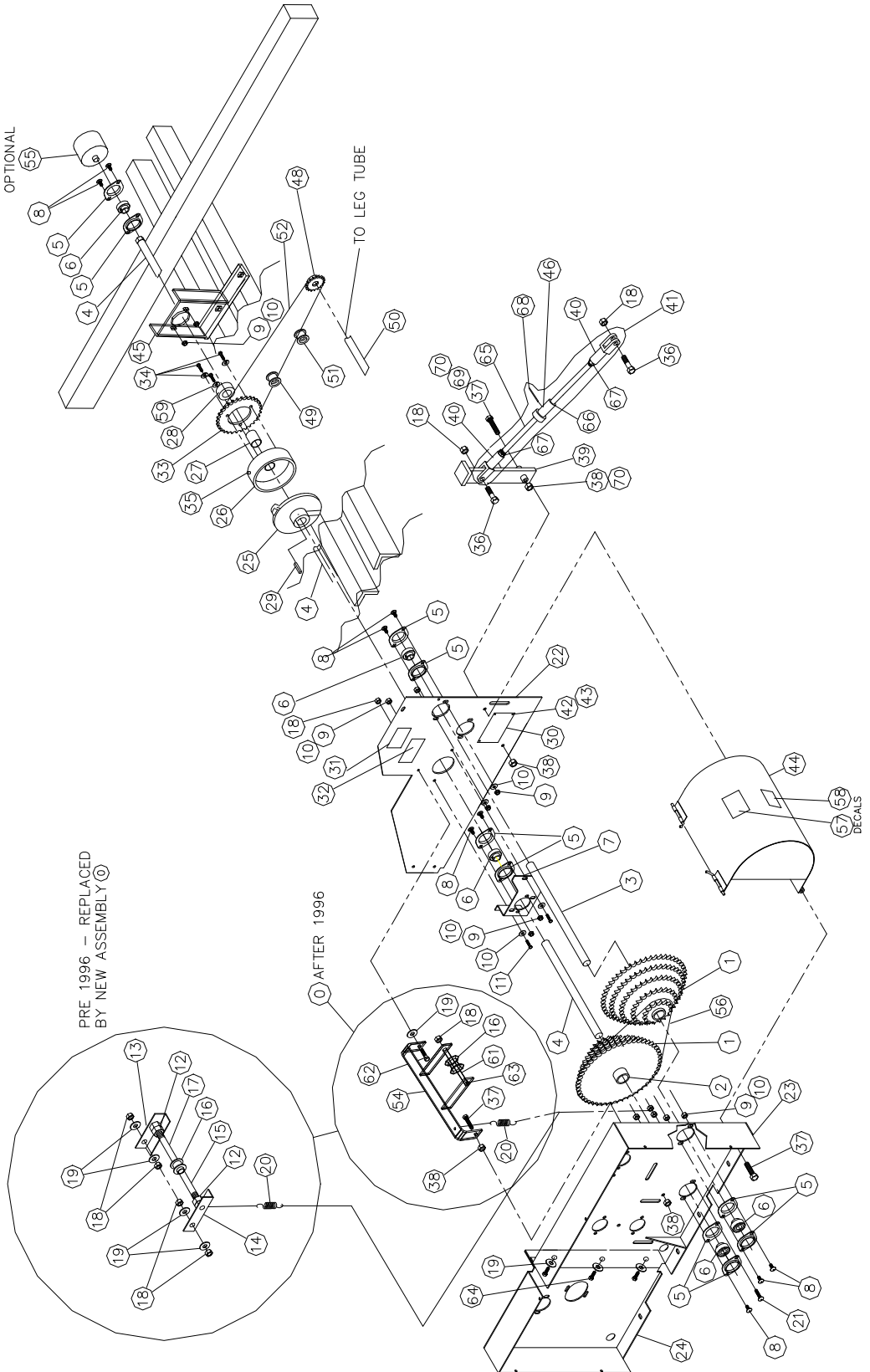
ALWAYS ORDER BY PART NUMBER – NOT BY ITEM NUMBER

SPEED CHANGER DERAILLEUR STYLE – PAGE 1 OF 3

NOTE: ACRE METER (55)
SCREWS INTO END OF
SHAFT (4)

OPTIONAL
(55)

TO LEG TUBE
(50)





PARTS CATALOG

ALWAYS ORDER BY PART NUMBER – NOT BY ITEM NUMBER

SPEED CHANGER DERAILLEUR STYLE – PAGE 2 OF 3

ITEM NO.	PART NUMBER	DESCRIPTION
0	015-7116A	Derailleur, Idler Assembly (97-) Assembly: 1041A, 15-7115, 15-7117, B38-6, N38-CL
1	13-201	Sprocket Cone, 5-Step
2	RP316-1.25	Roll Pin, 3/16" x 1-1/4"
3	15-711	Shaft, Output
4	15-710	Shaft, Input (Drilled both ends for acre meter on outside)
5	3007A	Flangette, 52MST
6	3007	Bearing, 1" Spherical
7	103626	Support, Bearing
8	CB516-.75	Carriage Bolt, 5/16" x 3/4"
9	N516-CL	Nut, 5/16" Clincher Nut
10	W516	Washer, 5/16"
11	B516-1	Bolt, 5/16"x 1"
12	N12-JN	Nut, 1/2" Jam Nut
13	15-7112	Derailleur Bracket, RH (-96) (Not Serviced)
14	15-7113	Derailleur Bracket, LH (-96) (Not Serviced)
15	15-7114	Derailleur Rod (-96) (Not Serviced)
16	1041A	Spool
17	15-7115	Derailleur Rod Sleeve (-96) (Not Serviced)
18	N38-CL	Nut, 3/8" Clincher Nut
19	W38	Washer, 3/8"
20	10462	Spring, Derailleur
21	CB516-1.5	Carriage Bolt, 5/16" x 1-1/2"
22	103625	Support, Bearing & Clutch FLXII
23	103624	End Plate, RH, FLXII
24	1036241	End Plate, CS, RH, FLXII
25	1119	Clutch Housing w/ Dog Trip
26	1120	Clutch, Hub
27	1121	Bushing, Clutch, 1" Bore
28	1124	Collar, Shaft, 1" Bore
29	1110	Key, SQ, 1/4" x 1-1/4"
30	1075	Serial Plate
31	1046C11	Decal, Clutch Chain
32	1046C12	Decal, Patent Information
33	1044	Sprocket, 40A30, Clutch Style (Standard)
34	B516-1	Bolt, 5/16" x 1"
35	1093DD	Zirk, 1/4"-28
36	B38-1.25	Bolt, 3/8" x 1-1/4"
37	B38-2.5	Bolt, 3/8" x 2-1/2"



PARTS CATALOG

ALWAYS ORDER BY PART NUMBER – NOT BY ITEM NUMBER

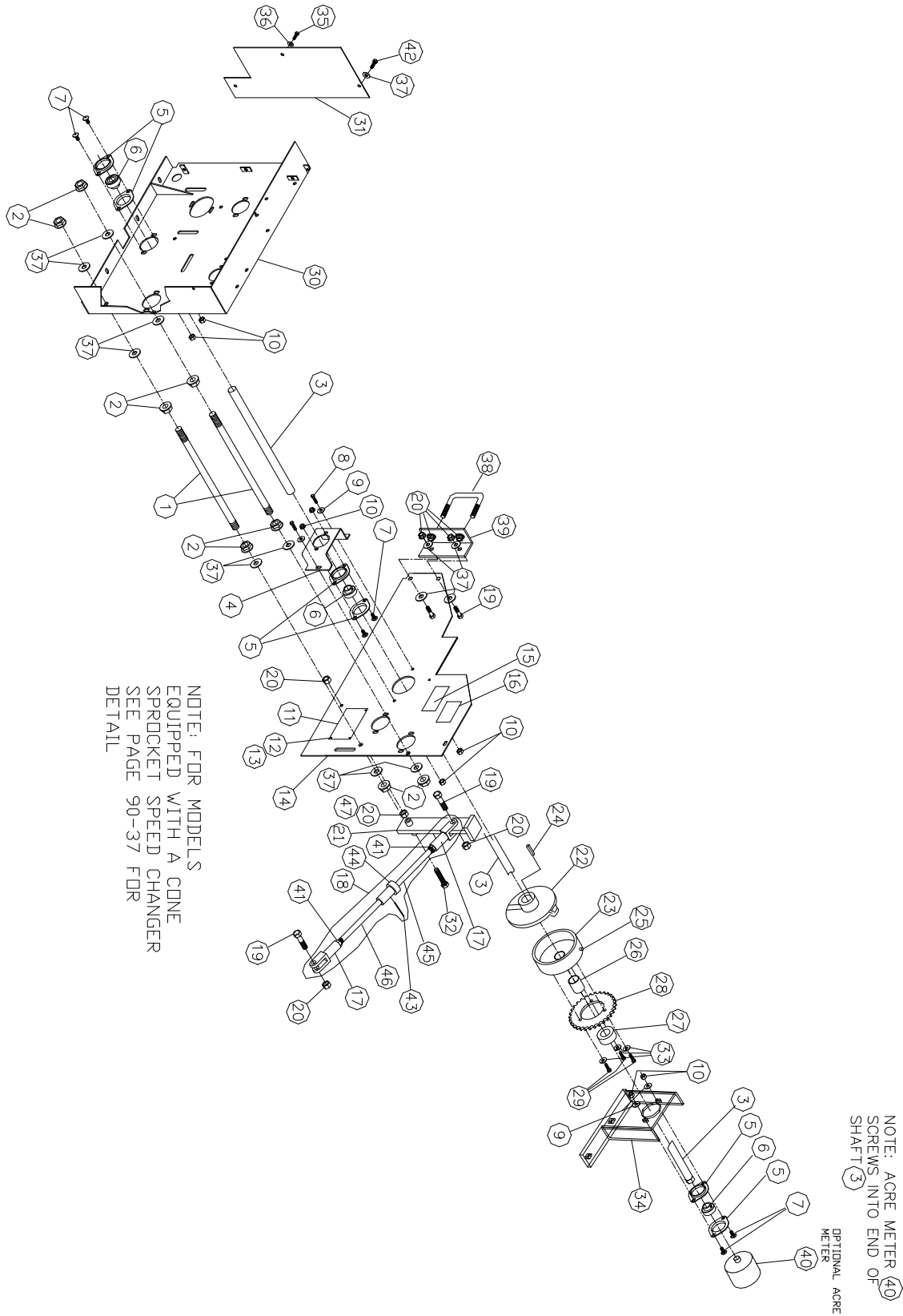
SPEED CHANGER DERAILLEUR STYLE – PAGE 3 OF 3		
ITEM NO.	PART NUMBER	DESCRIPTION
38	N38-FN	Nut, 3/8" Flange Nut (Mdl 822 Non-Typical Requires Two N38-FN)
39	1118BBX 1118BBX1 (Not Illustrated) 1118BBX2 (Not Illustrated) 1118BBX3 (Not Illustrated) 1118BBX5 (Not Illustrated)	Clutch Trip Engager, FLXII (End Drive) Clutch Trip Engager, FLXII (Rear Drive) Clutch Trip Engager, FLXII (Mdl.822Rear Drive Non -Typical) Clutch Trip Engager, FLXII (Mdl.822End Drive Non-Typical) Clutch Tripper Angle Bracket (Mdl.822 Non-Typical) Requires B38-1.25, Two W38, N38-CL.
40	3069	Yoke, Clevis, 3/8" National Fine Thread
41	1118X	Clutch Tripper, Rod Assembly
42	B540-.375	Bolt, 5/40" x 3/8"
43	N540	Nut, 5/40"
44	10596	Cover, Speed Changer, FLXII
45	10316 10316A 10316B	Bearing Support, FLXII Bearing Support, FLXII, (Mdl.822 End Drive Non-Typical) Bearing Support, FLXII, (Notched Mdl.86)
46	S-38 (Not Illustrated)	Spring, Clutch Tripper (See Page 90-10 For Detail)
48	1045A	Sprocket, 40B18, KY & SS
49	1042C	Idler Assembly, Rear Clutch Chain (See Page 90-13 For Detail)
50	10375 (Mdl.88,810,812) 103751 (Mdl.816,818,822,1012)	Drive Shaft Leg
51	1042	Idler Assembly, Front Clutch Chain (See Page 90-13 For Detail)
52	2040XB	Chain, Clutch (73 Links w/Half Link Connector)
54	15-7117	Bracket, Derailleur (96-)
55	060088X (Mdl.88) 0600812X (Mdl.812) 0600816X (Mdl.816) 0600818X (Mdl.818) 0600822X (Mdl.822)	Acre Meter
56	2040D	Chain, Derailleur Speed Changer (39 Links w/Offset Link and Full link Connectors)
57	1046C9	Decal, Speed Changer Instructions
58	1046C4-A	Decal, Safety
59	LW516	Lockwasher, 5/16"
61	1041A3	Bushing Sleeve, Derailleur Idler - 5" Length
62	B38-1	Bolt, 3/8"x 1"
63	B38-6	Bolt, 3/8"x 6" (Bolt head is on the left as you face the front of the assembly and front of machine)
64	B38-.75	Bolt, 3/8"x 3/4"
65	1118X2	Clutch Tripper, Male
66	1118X1	Clutch Tripper, Female
67	N38-NF	Nut, 3/8" National Fine Thread
68	RP18-.875	Roll Pin, 1/8"x 7/8"
69	B38-6.5 (Not Illustrated)	Bolt, 3/8"x 6-1/2" (Used on Mdl.822 Non-Typical)
70	1040D (Not Illustrated)	Collar, 3/8" ID 5/8" OD (Used on Mdl.822 Non-Typical)



PARTS CATALOG

ALWAYS ORDER BY PART NUMBER - NOT BY ITEM NUMBER

DRIVE ASSEMBLY (GRAIN DRILL) - PAGE 1 OF 3





PARTS CATALOG

ALWAYS ORDER BY PART NUMBER – NOT BY ITEM NUMBER

DRIVE ASSEMBLY (GRAIN DRILL) – PAGE 2 OF 3

ITEM NO.	PART NUMBER	DESCRIPTION
1	15-810	Spacer Rods - Grain Drill
2	N38-FN	Nut, 3/8" Flange Nut
3	15-710	Shaft, Input
4	103626	Support, Bearing
5	3007A	Flangettes, Bearing 52MST
6	3007	Bearing, 1" Spherical
7	CB516-.75	Carriage Bolt, 5/16"x 3/4"
8	B516-1	Bolt, 5/16"x 1"
9	W516	Washer, 5/16"
10	N516-CL	Nut, 5/16" Clincher Nut
11	1075	Serial Plate
12	B540-.375	Bolt, 5/40"x 3/8"
13	N540 (Not Illustrated)	Nut, 5/40"
14	103625	Support, Bearing and Clutch FLXII, Grain Drill
15	1046C12	Decal, Patent Information
16	1046C11	Decal, Clutch Chain
17	3069	Yoke, Clevis, 3/8" National Fine Thread
18	1118X	Clutch, Tripper Rod Assembly (See Page 90-10 For Detail)
19	B38-1.25	Bolt, 3/8"x 1-1/4"
20	N38-FN	Nut, 3/8" Flange Nut (Mdl 822 Non-Typical Requires Two N38-FN)
21	1118BBX 1118BBX1 (Not Illustrated) 1118BBX2 (Not Illustrated) 1118BBX3 (Not Illustrated) 1118BBX5 (Not Illustrated)	Clutch Trip Engager, FLXII (End Drive) Clutch Trip Engager, FLXII (Rear Drive) Clutch Trip Engager, FLXII (Mdl.822 Rear Drive Non -Typical) Clutch Trip Engager, FLXII (Mdl.822 End Drive Non-Typical) Clutch Tripper Angle Bracket (Mdl.822 Non-Typical) Requires B38-1.25, Two W38, N38-CL.
22	1119	Clutch, Housing w/Dog Trip
23	1120	Clutch, Hub
24	1110	Key, SQ, 1/4"x 1-1/4"
25	1093DD	Zirk, 1/4"-28
26	1121	Bushing, Clutch 1" Bore
27	1124	Collar, Shaft 1" Bore
28	1044 1144A (Optional) 1144B (Optional)	Sprocket, 40A30, Clutch Style (Standard) Sprocket, 40A54, Clutch Style (Optional) Sprocket, 40A60, Clutch Style (Optional)
29	B516-1	Bolt, 5/16"x 1"
30	1036242	End Plate, R.H., Grain-FLXII
31	1036245	Cover, End, R.H.-FLXII
32	B38-2.5	Bolt, 3/8"x 2-1/2" (Mdl.822 Non-Typical Requires B38-6.5)
33	LW516	Lock Washer, 5/16"



PARTS CATALOG

ALWAYS ORDER BY PART NUMBER – NOT BY ITEM NUMBER

DRIVE ASSEMBLY (GRAIN DRILL) – PAGE 3 OF 3

ITEM NO.	PART NUMBER	DESCRIPTION
34	10316 10316A (Not Illustrated)	Bearing Support FLXII Bearing Support FLXII (Mdl.822 End Drive Non-Typical)
35	B14-.50	Bolt, 1/4"x 1/2"
36	W14	Washer, 1/4"
37	W38	Washer, 3/8"
38	UB38-4.5-4	U Bolt, 3/8"x 4-1/2"x 4"
39	1036251 1036252 (Not Illustrated)	Support, Bearing & Clutch Support, Bearing & Clutch (Mdl.822)
40	060088X 060812 0600812X 0600816X 0600818X 0600822X	Acre Meter, Mdl.88 FLX Acre Meter, Mdl.812 (-89) Acre Meter, Mdl.812 FLX Acre Meter, Mdl.816 FLX Acre Meter, Mdl.818 FLX Acre Meter, Mdl.822 FLX
41	N38-NF	Nut, 3/8" National Fine Threads
42	B38-.750	Bolt, 3/8"x 3/4"
43	RP18-.875	Roll Pin, 1/8"x 7/8"
44	S-38 (Not Illustrated)	Spring, Clutch Tripper (See Page 90-10 For Detail)
45	1118X2	Clutch Tripper, Male
46	1118X1	Clutch Tripper, Female
47	1040D (Not Illustrated)	Collar, 3/8" ID 5/8" OD (Used on Mdl.822 Non-Typical)



PARTS CATALOG

ALWAYS ORDER BY PART NUMBER - NOT BY ITEM NUMBER

GRAIN DRILL JUMBO SEED BOX - PAGE 1 OF 4

NOTE: WHEN ROW DIVIDERS ARE INSTALLED REPLACE THE REAR SEED CUP B14-625 WITH B14-750 AND ADD W14 AND N14.

OPTIONAL SEED BOX ROW DIVIDERS

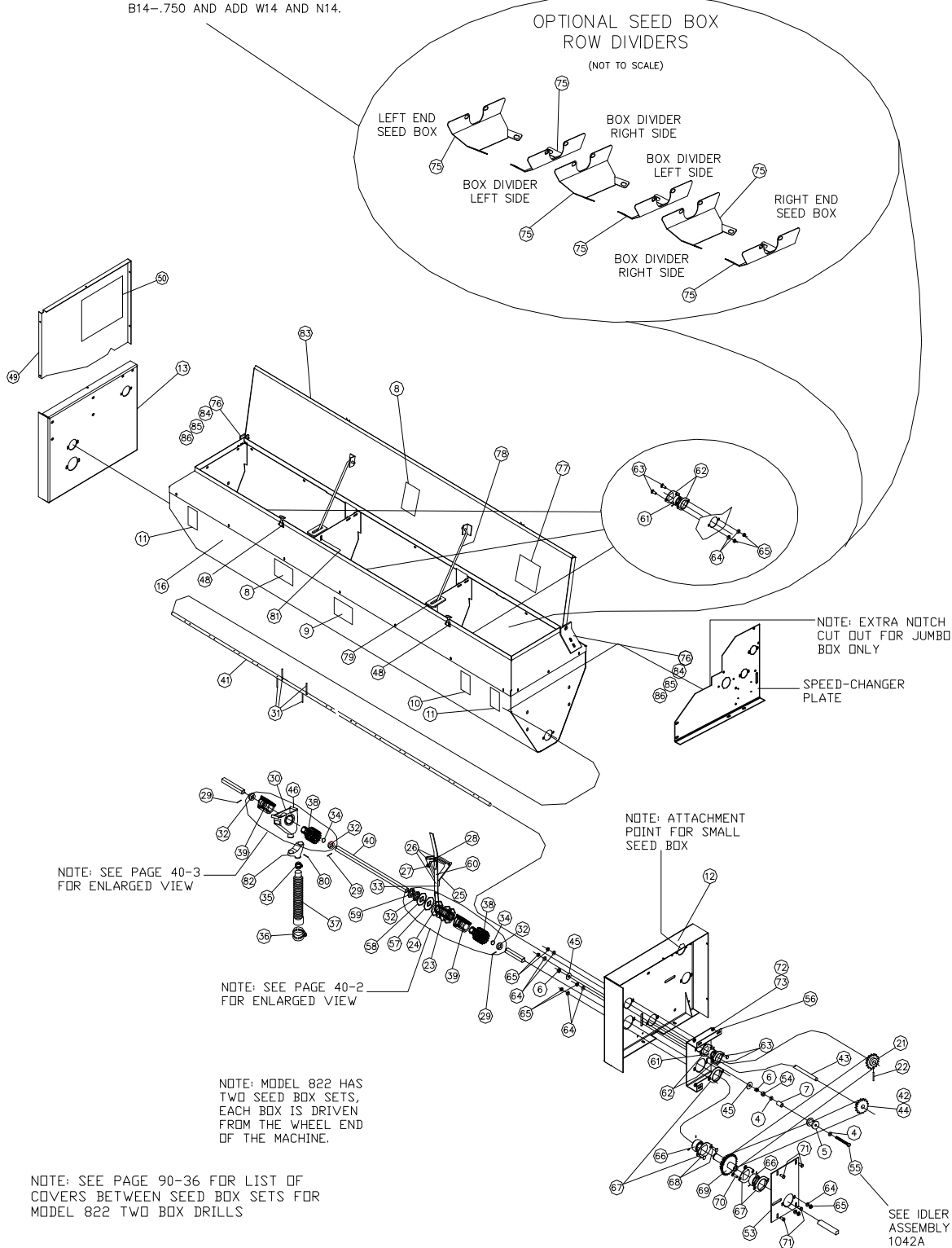
(NOT TO SCALE)

LEFT END SEED BOX

BOX DIVIDER RIGHT SIDE

BOX DIVIDER LEFT SIDE

RIGHT END SEED BOX



NOTE: SEE PAGE 90-36 FOR LIST OF COVERS BETWEEN SEED BOX SETS FOR MODEL 822 TWO BOX DRILLS



PARTS CATALOG

ALWAYS ORDER BY PART NUMBER – NOT BY ITEM NUMBER

GRAIN DRILL JUMBO SEED BOX – PAGE 2 OF 4

ITEM NO.	PART NUMBER	DESCRIPTION
4	MB12-.062 (1040B)	Bushing, 3/4" OD, 1/2" ID, 0.062" Thickness
5	1041A	Spool, Plastic
6	N12	Nut, 1/2"
7	1041A2	Bushing, Idler Spool
8	1046C8	Decal, Rotating Parts
9	1046C7	Decal, Truax Buffalo
10	1046C3-A	Decal, DO NOT Ride (Danger)
11	2008C2	Reflector, 5"x 5"
12	103624J	End Plate, RH Grain, Jumbo, FLXII
	103624J1 (Not Illustrated)	End Plate, RH Grain, Jumbo, FLXII (Mdl. 822 Non-Typical Non-Drive End)
13	103623J	End Plate, LH Grain, Jumbo, FLXII
	103623J1 (Not Illustrated)	End Plate, LH Grain, Jumbo, FLXII (Mdl. 822 Non-Typical Drive End)
16	4001 (FLXII-812)	Box, Grain, Jumbo , FLXII Mdl. 822 Non-Typical Mdl. 822 Typical
	4001E (FLXII-88)	
	4001F (FLXII-816)	
	4001I (FLXII-818)	
	4001K (FLXII-822)	
	4001K1 (FLXII-822)	
20	3169 (Not Illustrated)	Collar, Shaft, 1-1/4" (Not Used After 1/1/96)
21	1055	Sprocket, 40B20, 3/4" Bore (Standard)
22	RP316-2	Roll Pin, 3/16"x 2"
23	M60862 (Not Illustrated)	Bearing Shifter - Before Mid 1998 (Replaced by #M608621)
	M608621	Bearing Shifter - After Mid 1998
24	3205	Shifter, Handle
25	3229	Shifter Quad
26	B12-1	Bolt, 1/2"x 1"
27	NH38	Nut Handle, 3/8" (Replaces Wing Nut 3/8" in 98-)
28	B38-1SQ	Bolt, 3/8"x 1" Square Head
29	RP18-1.25	Roll Pin, 1/8"x 1-1/4"
30	AN-212650	Seed Cup, Cool Season Box (After Serial#2925 use part # 731003A)
31	3225	Agitator, 3/16"x 3-1/2"
32	TM60823	Spacer, 5/8" Square Hole - 0.158" Thickness
33	SC14-20-.375	Set Screw, 1/4"x 3/8"
34	TS-72M	Spring
35	3213	Clamp, Hose, #20
36	1009	Clamp, Seed Hose, #36 (Used w/#34441)
37	34441	Hose, Seed, Convoluted (After 1993)
38	M60865	Fluted Roll (After Serial#2925 use part # 731865)
39	M60864	Shut-Off (After Serial#2925 use part # 731864)



PARTS CATALOG

ALWAYS ORDER BY PART NUMBER – NOT BY ITEM NUMBER

GRAIN DRILL JUMBO SEED BOX – PAGE 3 OF 4

ITEM NO.	PART NUMBER	DESCRIPTION
40	3103 (12 Row-8"sp)	Shaft, 5/8" Square Mdl. 822 Requires 2
	3103E (8 Row-8"sp)	
	3103F (16 Row-8"sp)	
	3103I (18 Row-8"sp)	
	3103K (11 Row-8"sp)	
41	3221 (12 Row-8"sp)	Shaft, 3/4" Round Mdl. 822 Requires 2
	3221E (8 Row-8"sp)	
	3221F (16 Row-8"sp)	
	3221I (18 Row-8"sp)	
42	1045A	Sprocket, 40B18KY & SS
43	15-710	Shaft, Input
44	1110	Key, Square, 1/4"x 1-1/2"
45	W12	Washer, 1/2"
46	B14-.625	Bolt, 1/4"x 5/8"
48	1038J	Lid Retainer
49	1036233	Cover, Front (LH) - FLXII
50	1046C77	Decal, FLXII (LH)
51	1036243	Cover, Front (RH) – FLXII (has hole for acre meter)
52	1046C78	Decal, FLXII (RH)
53	3177	Bearing Support Plate
54	1040C	Collar, 1/2" (with Set Screw)
55	B12-4	Bolt, 1/2"x 4"
56	3176	Bearing Support, Cool Season
	3178 (Not Illustrated)	Bearing Support, Cool Season Mdl. 822 Non-Typical
57	TM60826	Thrust Washer, Delrin® - 0.125" Thickness
58	TM60825	Thrust Washer Backer - 0.115" Thickness
59	TM608231	Spacer, 5/8" Square Hole - 0.120" Thickness
60	B38-.750	Bolt, 3/8"x 3/4"
61	1007	Bearing, 3/4" Spherical
62	1007A	Flangettes, Bearing - 47MST
63	CB516-.75	Carriage Bolt 5/16"x 3/4"
64	W516	Washer, 5/16"
65	N516-CL	Nut, 5/16" Clincher Nut
66	3175	Bearing, 1-1/4" Spherical
67	3181	Flangette, MS-62
68	CB516-1	Carriage Bolt, 5/16"x 1"
69	3095X	Sprocket, Double 30/20 (93-)
	3095X1 (Optional Sprocket)	Sprocket, Double 42/20 (96-)
70	B516-1	Bolt, 5/16"x 1"
71	B38-1	Bolt, 3/8"x 1"
72	W38	Washer, 3/8"



PARTS CATALOG

ALWAYS ORDER BY PART NUMBER – NOT BY ITEM NUMBER

GRAIN DRILL JUMBO SEED BOX – PAGE 4 OF 4

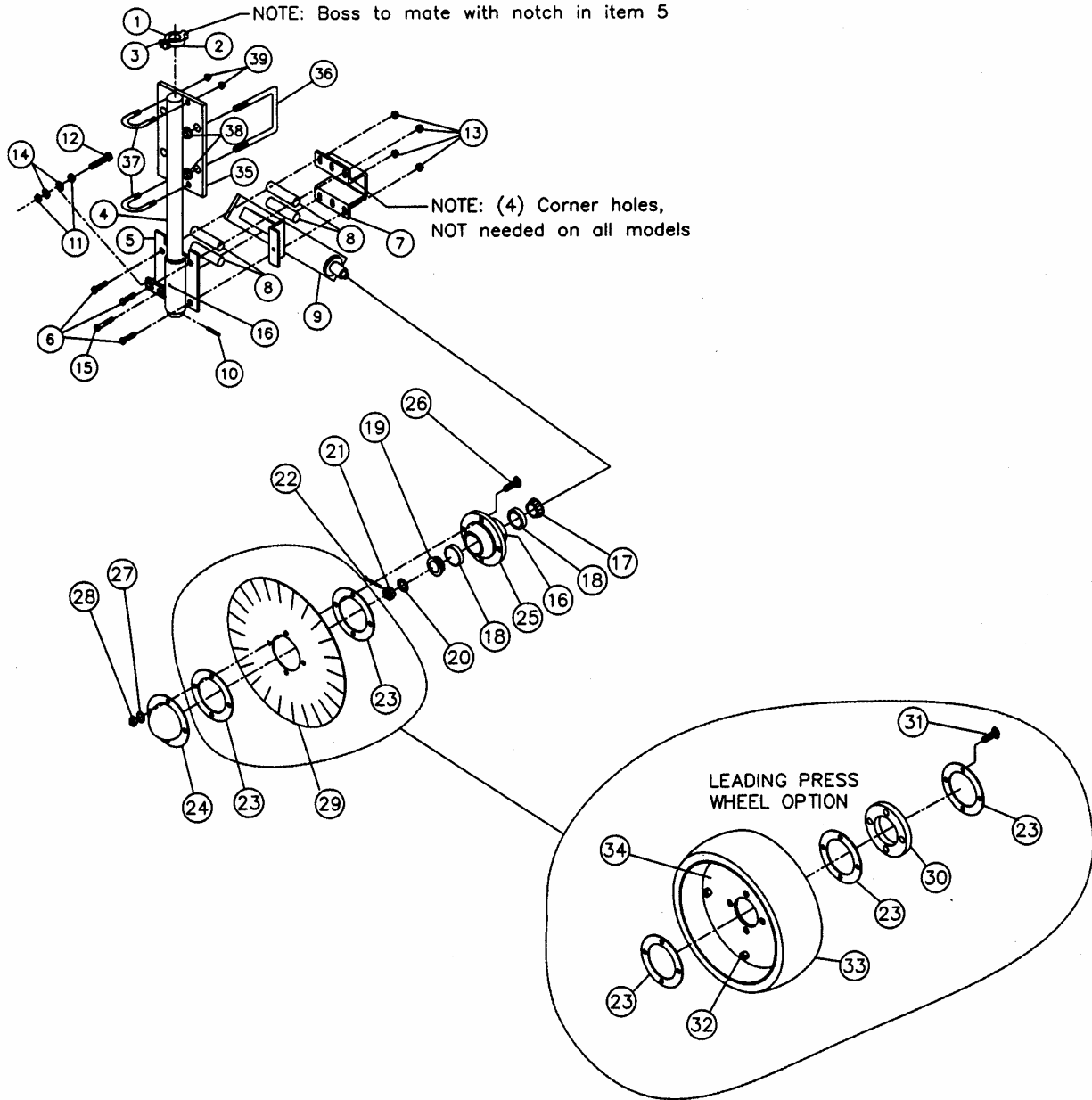
ITEM NO.	PART NUMBER	DESCRIPTION
73	N38-CL	Nut, 3/8" Clincher Nut
75	300121	Row Divider, Jumbo Grain Box
76	1038HB	Hinge Bracket
77	1046C1	Decal, Calibration
78	1038SR	Lid Support Rod
79	1038SB	Lid Support Bracket
80	CP532-2.5	Cotter Pin, 5/32"x 2-1/2"
81	CP18-1	Cotter Pin, 1/8"x 1"
82	AN212266	Spout, Legume Delivery "Y"
83	41001 (FLXII-812) 41001E (FLXII-88) 41001F (FLXII-816) 41001I (FLXII-818) 41001K (FLXII-822)	Lid, Jumbo Grain Box, FLXII Mdls. 816, 818, and 822 Require 2
84	B516-1	Bolt, 5/16" x 1"
85	W516	Washer, 5/16
86	N516-CL	Nut, 5/16" Clincher Nut
87	103165 (Not Illustrated) 103625S (Not Illustrated)	Spacer, Seed Box 10"x 2" Spacer, Seed Box 25"x 2"



PARTS CATALOG

ALWAYS ORDER BY PART NUMBER – NOT BY ITEM NUMBER

TORSION ARM – ROUND SHANK (CASTER STYLE 1993 -) – PAGE 1 OF 2



ITEM NO.	PART NUMBER	DESCRIPTION
0	042203	Torsion Assembly, Round Shank Caster Style No-Till
	0422031	Assembly, Caster Style Leading Press Wheel
1	4215	Clamp Collar (One Used After 1993)
2	B516-1.5	Bolt, 5/16"x 1-1/2"
3	N516-CL	Nut, 5/16" Clincher Nut
4	42201X1	Shank, 1-1/2"x 22"



PARTS CATALOG

ALWAYS ORDER BY PART NUMBER – NOT BY ITEM NUMBER

TORSION ARM – ROUND SHANK (CASTER STYLE 1993 -) – PAGE 2 OF 2

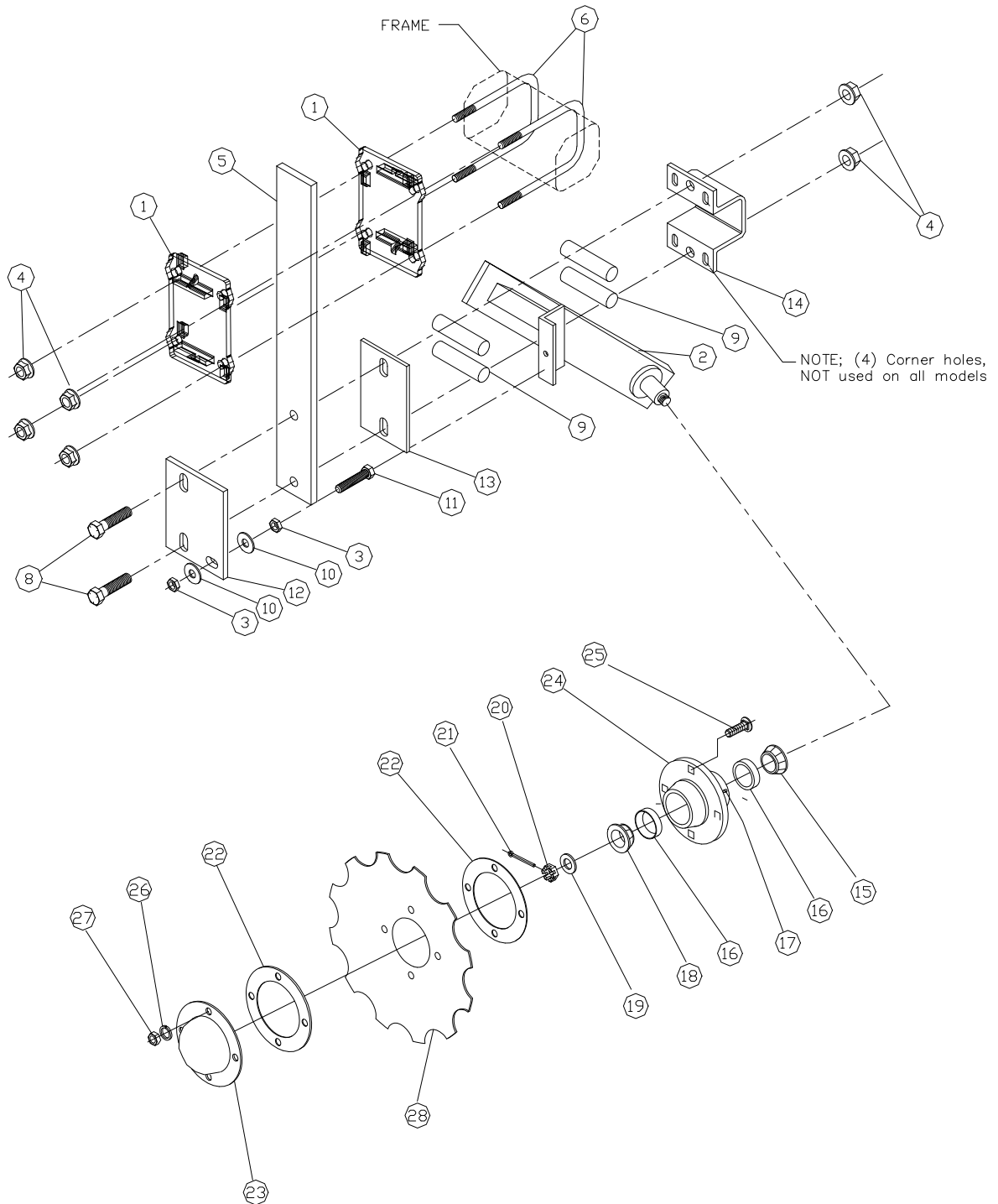
ITEM NO.	PART NUMBER	DESCRIPTION
5	422034	Knuckle, Torsion Base Weldment, 1993-
6	B38-1.5	Bolt, 3/8"x 1-1/2"
7	4220231	Hat, Torsion, 4 or 6 Bolt, 1994-
8	42204	Urethane, 1" Cord -90 Duro
9	42201RH 422010LH	Leg, No-Till, Dura-Flute, Right Hand 1994- Leg, No-Till, Dura-Flute, Left Hand 1994-
10	RP14-2	Roll Pin, 1/4"x 2"
11	N12-JN	Nut, 1/2" Jam Nut
12	B12-2.5TH	Bolt, 1/2"x 2-1/2" Thread-to-Head
13	N38-FN	Nut, 3/8" Flange Nut
14	W12	Washer, 1/2"
15	B38-1.75	Bolt, 3/8"x 1-3/4"
16	1093DD	Zirk, 1/4"-28
17	LM67000LA	Bearing, 1-1/4" (Integral Seal)
18	1077X	Cup, Bearing, No-Till Industry Number - LM67010
19	1077	Bearing, 4-Bolt Hub 1-1/4" Industry Number - LM67048
20	W58GRD8	Washer, 5/8" Grade 8
21	CN58-NF	Castle Nut, 5/8" National Fine Thread
22	CP316-1.5	Cotter Pin, 3/16"x 1-1/2"
23	42201CX	Gasket, 4-Bolt Hub - .062"
24	42201C	Cap, Dust
25	42201E	Hub, 4-Bolt, No-Till
26	CB12-1.5	Carriage Bolt, 1/2"x 1-1/2"
27	LW12	Lockwasher, 1/2"
28	N12	Nut, 1/2"
29	4302	Coulter, 18" 25-Wave
30	42211B	Spacer, Press Wheel Option (Part of 42211)
31	CB12-2	Carriage Bolt, 1/2"x 2" (Used With Leading Press Wheel)
32	B516-.750	Bolt, 5/16"x 3/4" (Used With Leading Press Wheel)
33	42211	Tire, Press Wheel Option: 4"x16" Leading Press Wheel
34	42211A	Rim, Press Wheel Option (Part of 42211)
35	42111 (42203X1) 42111R 42111L	Clamp Plate, Casting – (-06 production) (#42203X1 on Casting) Clamp Plate, Casting Notched for Frame Tower (06-) Clamp Plate, Casting Notched for Frame Tower (06-)
36	UB58-5.25-4	U-Bolt, 5/8"x 5-1/4"x 4"
37	UB12-318-1.5	U-Bolt, 1/2"x 3-1/8"x 1-1/2"
38	N58-FN	Nut, 5/8" Flanged
39	N12-FN	Nut, 1/2" Flanged



PARTS CATALOG

ALWAYS ORDER BY PART NUMBER – NOT BY ITEM NUMBER

TORSION ARM – TRASH PLOW (1993 -) – PAGE 1 OF 2



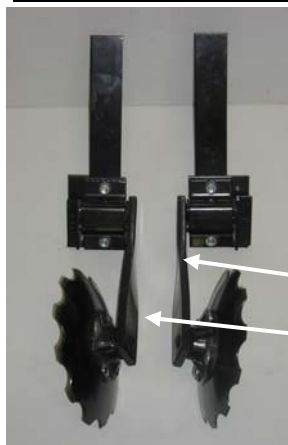


PARTS CATALOG

ALWAYS ORDER BY PART NUMBER – NOT BY ITEM NUMBER

TORSION ARM – TRASH PLOW (1993 -) – PAGE 2 OF 2

ITEM NO.	PART NUMBER	DESCRIPTION
0	05220 052201	Assembly, Trash Plow 13-1/2" Notched Coulter Assembly, Trash Plow 18" Notched Coulter
1	52111	Clamp Plate (3/1/92-)
2	422011 (LH) 422012 (RH)	Leg, No-Till, Twist (1992-)
3	N12-JN	Nut, 1/2" Jam Nut
4	N58-FN	Nut, 5/8" Flanged Nut
5	52201X2	Shank, Spring Steel 1/2"x 3"x 22" (1993-), 2 Hole
6	UB58-6.25-4	U-Bolt, 5/8"x 6-1/4"x 4"
8	B58-2.5	Bolt, 5/8"x 2-1/2"
9	42204	Urethane, 1" Cord - 90 Duro
10	W12	Washer, 1/2"
11	B12-2TH	Bolt, 1/2" x 2" Thread-To-Head
12	522022	Jack Plate, No-Till, 3 Hole
13	522021	Plate, No-Till Shank - 2 Hole
14	422023	Hat, 4-Bolt (1993-)
15	LM67000LA	Bearing, 1-1/4" (Integral Seal)
16	1077X	Cup, Bearing, No-Till Industry Number - LM67010
17	1093DD	Zirk, 1/4"-28
18	1077	Bearing, 4-Bolt Hub 1-1/4" Industry Number - LM67048
19	W58GRD8	Washer, 5/8" Grade 8
20	CN58-NF	Castle Nut, 5/8" National Fine Thread
21	CP18-1.5	Cotter Pin, 1/8"x 1-1/2"
22	42201CX	Gasket, 4-Bolt Hub .062
23	42201C	Cap, Dust
24	52201E	Hub, 4-Bolt Tapered
25	CB12-1.5	Carriage Bolt, 1/2"x 1-1/2"
26	LW12	Lockwasher, 1/2"
27	N12	Nut, 1/2"
28	5301 (13-1/2") 5302 (18")	Coulter, Notched Concave



The no-till twist legs for the Trash Plow are designated as left hand (Part #422011-LH) or right hand (Part #422012-RH) when viewed from the back of the drill. **These part numbers reference the twist legs only and do not include blades or other components.** Note the leg twists shown in the photo on the left. When mounted properly half of the concave, notched blades will move residue to the left and half will move residue to the right.

Right Hand No-Till Twist Leg

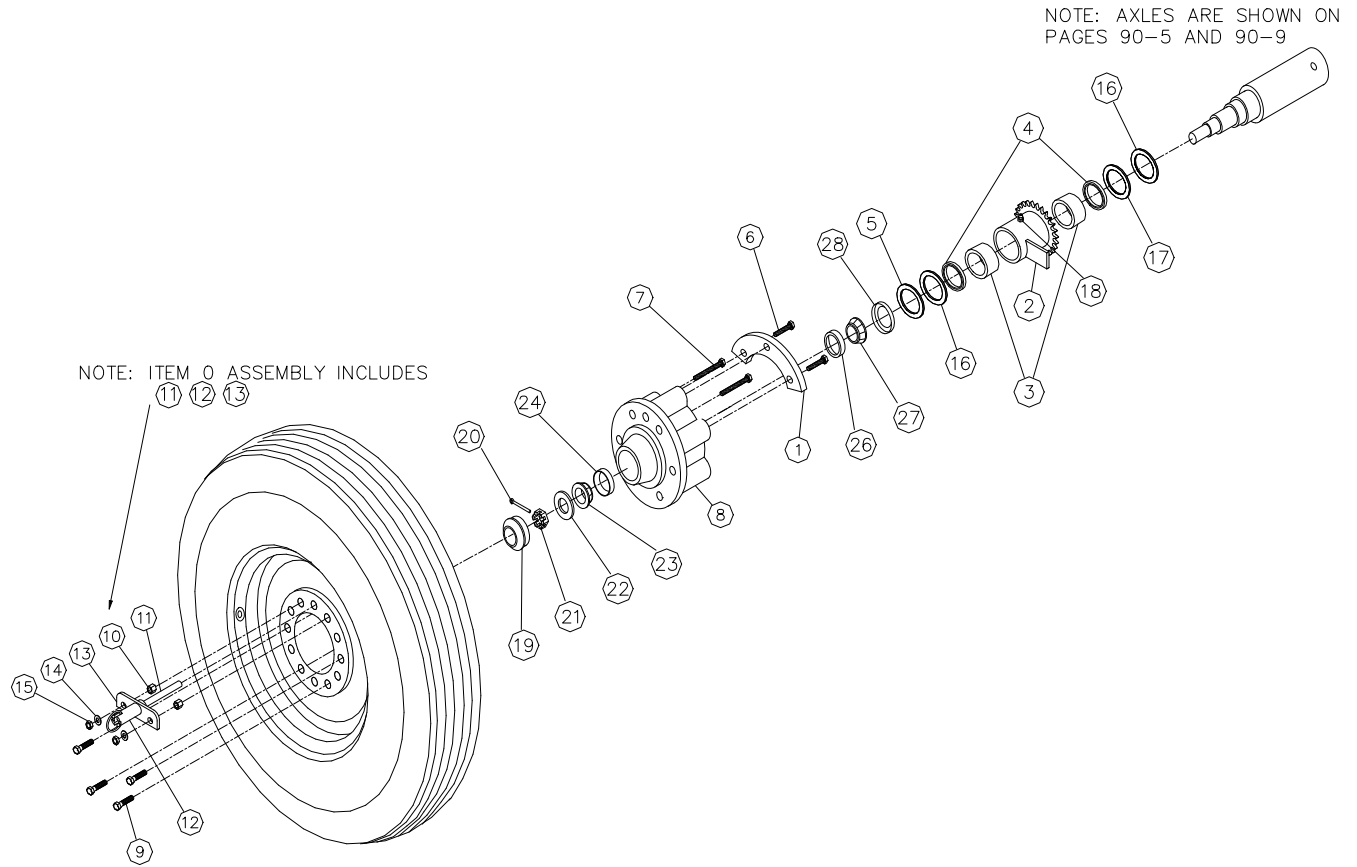
Left Hand No-Till Twist Leg



PARTS CATALOG

ALWAYS ORDER BY PART NUMBER – NOT BY ITEM NUMBER

LOCK-OUT HUB (STYLE B) – PAGE 1 OF 2





PARTS CATALOG

ALWAYS ORDER BY PART NUMBER – NOT BY ITEM NUMBER

LOCK-OUT HUB (STYLE B) – PAGE 2 OF 2

ITEM NO.	PART NUMBER	DESCRIPTION
0	01085B241	Assembly: Mount, Spring, and Pin Includes :# 1085B25, #1085B26, #1085B24
1	1085B27	Rim Bracket, Lock-Out Hub
2	1085B20	Housing, Lock-Out
3	1085B21	Bearing, Roller - Requires 2
4	1085B23	Seal, Lock-Out - Requires 2
5	1085B284	Spacer, Lock-Out, Metal, .118"
6	SCH12-1.25	Socket Head Bolt, 1/2" x 1-1/4"
7	SCH12-2 B12-2.5NFTH (After 4/1/97)	Socket Head Bolt, 1/2" x 2" Bolt, 1/2" x 2-1/2", National Fine Thread, Thread-To-Head
8	1085C1	Hub, 6-Bolt Drive, 1992- Drive Side
9	WB12-20-1.25	Wheel Bolt, 1/2"-20 x 1-1/4" With 45 ⁰ Bevel From Centerline These are wheel bolts for agriculture equipment <u>not</u> automotive wheel bolts.
10	WN12-20	Wheel Nut, 1/2"-20 With 45 ⁰ Bevel From Centerline
11	1085B25	Pin, Lock-Out
12	1085B26	Spring, Lock-Out
13	1085B24	Mount, Lock-Out Pin Guide
14	MB12	Machine Bushing, 1/2"
15	N12-20-CLJN	Nut, 1/2"-20 Clincher, Jam Nut
16	1085B28	Spacer, Lock-Out, Plastic, .062"
17	1085B281	Spacer, Lock-Out, Plastic, .125"
18	1093DD	Zirk, 1/4"-28
19	1082B	Cap, Dust for 6-Bolt Hub
20	CP316-1.75 (1110B)	Cotter Pin, 3/16"x 1-3/4"
21	CN78-NF (1073B)	Castle Nut, 7/8" National Fine Thread
22	W78 (1080B)	Washer, 7/8"
23	1076B (Prior to Early '93) 1076C1 (After early '93)	Outer Bearing, 6-Bolt Hub Industry Number - LM67048
24	1076CB (Prior to Early '93) 1076CC (After early '93)	Cup, 6-Bolt Hub, Outer Industry Number - LM67010
26	1077CB (Prior to Early '93) 1077CC (After early '93)	Cup, 6-Bolt Hub, Inner Industry Number - M501310
27	1077B (Prior to Early '93) 1077C (After early '93)	Inner Bearing, 6-Bolt Hub Industry Number – LM501349
28	1038B (Prior to Early '93) 1038C (After early '93)	Seal, 6-Bolt Hub Industry Number – CR18823



PARTS CATALOG

ALWAYS ORDER BY PART NUMBER – NOT BY ITEM NUMBER

CHAINS		
ITEM NO.	PART NUMBER	DESCRIPTION
1	2040	Chain, Box of 10 ft.
2	2040L	Connector Link, Offset
3	2040L1	Connector Link, Full Link
4	2040L2	Connector Link, Half Link
5	2040XA	Chain, Drive Chain on Leg - 77 links (Both Models)
6	2040C	Chain, Picker Wheel - 51 Links (Both Models)
7	2040D	Chain, Speed Changer - 39 Links (Both Models)
8	2040E	Chain, Small Seed Box - 37 Links (Both Models)
9	2040F	Chain, Cool Season Box Agitator - 17 Links (Both Models)
10	2040XG	Chain, Cool Season Box Drive - 51 Links (Both Models)
11	2040XB	Chain, Leg Drive Shaft To Clutch - 73 Links (End Wheel Model)
12	2040K	Chain, Jackshaft To Clutch - 25 Links (End Wheel Model)
13	2040J	Chain, Output Reduction Kit Leg Drive Shaft To 36-Tooth Side Of 18/36 Double Sprocket - 61 Links (End Wheel Model)
14	2040K	Chain, Jackshaft To Clutch - 25 Links (Rear Drive Model)
15	2040M	Chain, Leg Drive Shaft To Input Jackshaft - 69 Links (Rear Drive Model)
16	2040I	Chain, Output Reduction Kit Leg Drive Shaft To 36-Tooth Side Of 18/36 Double Sprocket - 75 Links (Rear Drive Model)

MISCELLANEOUS PARTS		
ITEM NO.	PART NUMBER	DESCRIPTION
1	9991	Grease, Synthetic (Tube)
2	9990	Decal, Kit - FLXII 1993-
3	5999	Owner, Operator Manual (FLXII Drill)
4	PMCK-AF-1062	Packing Kit, Prince 3-1/2" Rephasing Hydraulic Cylinder Model AF- 1062, Tie Rod Style
5	PMCK-AF-1068	Packing Kit, Prince 3-1/4" Rephasing Hydraulic Cylinder Model AF- 1068, Tie Rod Style
6	Paint (Yellow) - Not Available From Truax Company	Ford Automotive Paint (Tampico Yellow - 1972) or Krylon (Warm Yellow Gloss #1941)
7	Paint (Black) - Not Available From Truax Company	RUST-OLEUM Professional High Performance Enamel (Gloss Black #7579)
6	Drill Cover (Custom Made)	L & L Tarp 47550 254 th St. Baltic SD 57003 Phone: 605/529-5264
7	Trailer – Grain Head Style	Donahue Implement Carrier The Donahue Corporation Durham, KS 67438 Phone: 316/732-2665



PARTS CATALOG

ALWAYS ORDER BY PART NUMBER – NOT BY ITEM NUMBER

ACRE METER - PAGE 1 OF 1



Hub Style Acre Meter - This acre meter is calibrated and sealed with the sprocket combination on the face of the meter. Field change is not possible. Acre meters are calibrated to OEM standard sprockets. If sprockets are field changed, calculate the ratio between actual area covered and the reading on the counter and use this "factor" to determine acreage readings in the future. Changing tire sizes from the standard rib implement tire will affect the acre meter reading.

Using the Output Reduction feature will result in the Hub Style Acre Meter reading 1/2 of the actual acres planted. When using the Output Reduction feature the acre meter reading times 2 is the actual acres planted.

DRILL MODEL	PART NUMBER
FLXII-86	060086E (Electronic)
FLXII-88	060088X
FLXII-812	0600812X
FLXII-816	0600816X
FLXII-818	0600818X
FLXII-822	0600822X

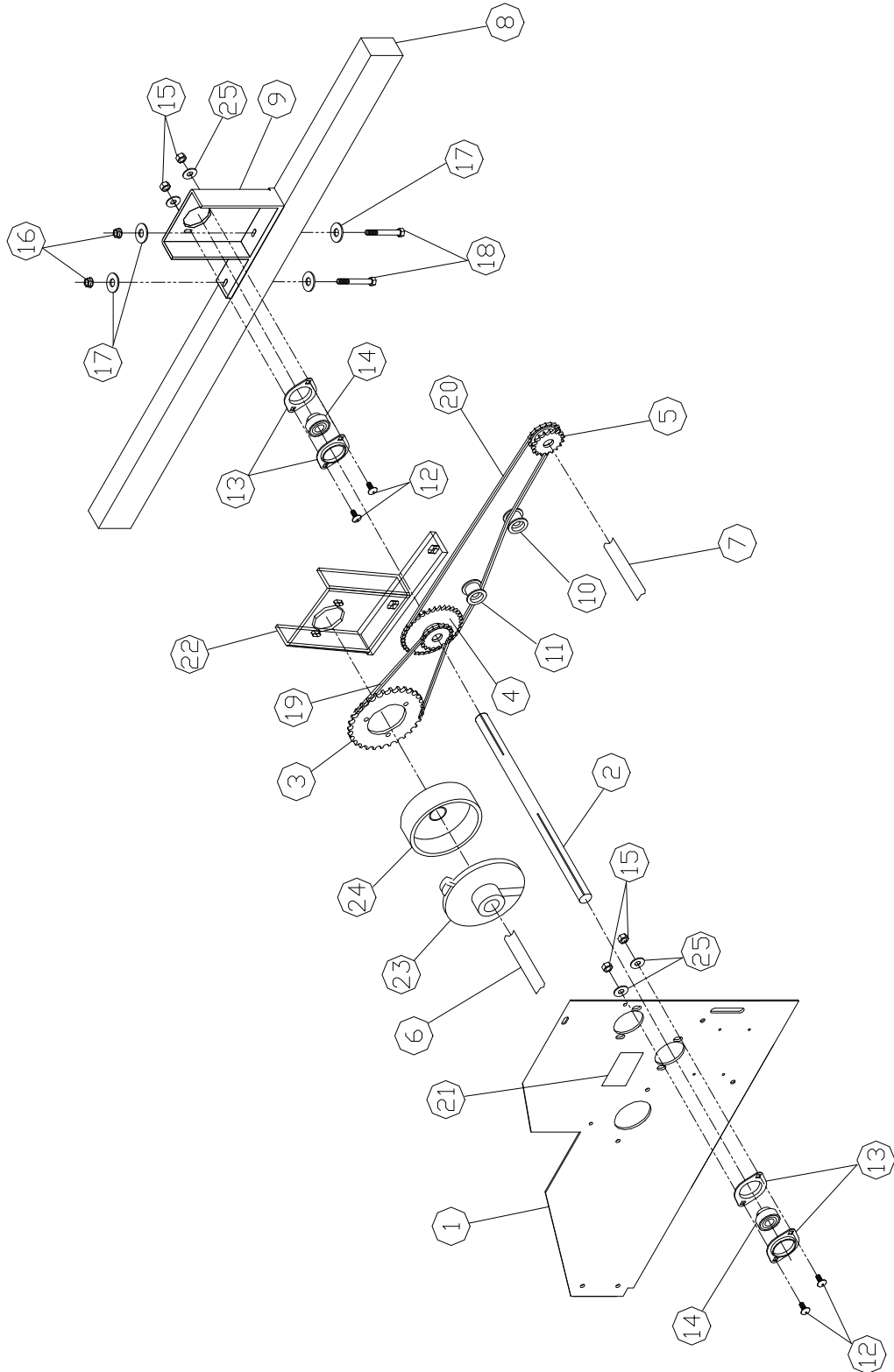
Electronic Acre Meter - The electronic acre meter is battery operated and records both field acres and total acres. The digits on the meter indicate acres covered since the field acre or total acre counter was last cleared. See the instructions provided with the Battery Operated Acre Meter or Pages 30-18 and 30-19 for operation of the unit. The Electronic Acre Meter is the only style available for Model FLXII-86 but can be used on any drill.



PARTS CATALOG

ALWAYS ORDER BY PART NUMBER – NOT BY ITEM NUMBER

OUTPUT REDUCTION KIT END WHEEL DRIVE – PAGE 1 OF 2





PARTS CATALOG

ALWAYS ORDER BY PART NUMBER – NOT BY ITEM NUMBER

OUTPUT REDUCTION KIT (END WHEEL DRIVE) – PAGE 2 OF 2

ITEM NO.	PART NUMBER	DESCRIPTION
0	071054 071056	Output Reduction Kit FLXII End Wheel Drive Output Reduction Kit FLXII End Wheel Drive Mdl. 822
1	103625	Support, Bearing & Clutch, FLXII
2*	103165	Jack Shaft, Output Reduction Kit
3	1044	Sprocket 40A30, Clutch Style (Standard)
4*	710532	Sprocket, Double 18/36
5*	710531	Sprocket, Double 18/18
6	15-710	Shaft, Input
7	10375 (Mdl.88, 810, 812) 103751 (Mdl.816, 818, 822, 1012)	Drive Shaft, Leg
8	Main Frame	Main Frame Support
9*	103161 103161A	Jack Shaft & Output Reduction Kit Support Jack Shaft & Output Reduction Kit Support Mdl.822 Non-Typical
10	1041	Idler Assembly, Clutch Chain -Front (See Page 90-13 For Detail)
11	1042D	Idler Assembly, Clutch Chain - Rear (See Page 90-13 For Detail)
12*	CB516-.75	Carriage Bolt, 5/16"x 3/4"
13*	3007A	Flangette (52 MST)
14*	3007	Bearing 1" Spherical
15*	N516-CL	Nut, 5/16" Clincher Nut
16*	N38-FN	Nut, 3/8" Flanged Nut
17*	W38	Washer, 3/8"
18*	B38-4.5	Bolt, 3/8"x 4-1/2"
19*	2040K	Chain, Output reduction Kit (Clutch to 18-Tooth Side Of 18/36 Double Sprocket) 25 Links w/Offset and Full Link Connectors.
20*	2040J	Chain, Output Reduction Kit (Leg Drive 18-Tooth Double Sprocket to 36-Tooth side Of 18/36 Double Sprocket) 61 Links w/Half Link or Full Link Connector.
21*	1046C14	Decal, Output Reduction Kit
22	10316	Bearing Support, FLXII
23	1119	Clutch, Housing w/Dog Trip
24	1120	Clutch, Hub
25*	W516	Washer, 5/16"

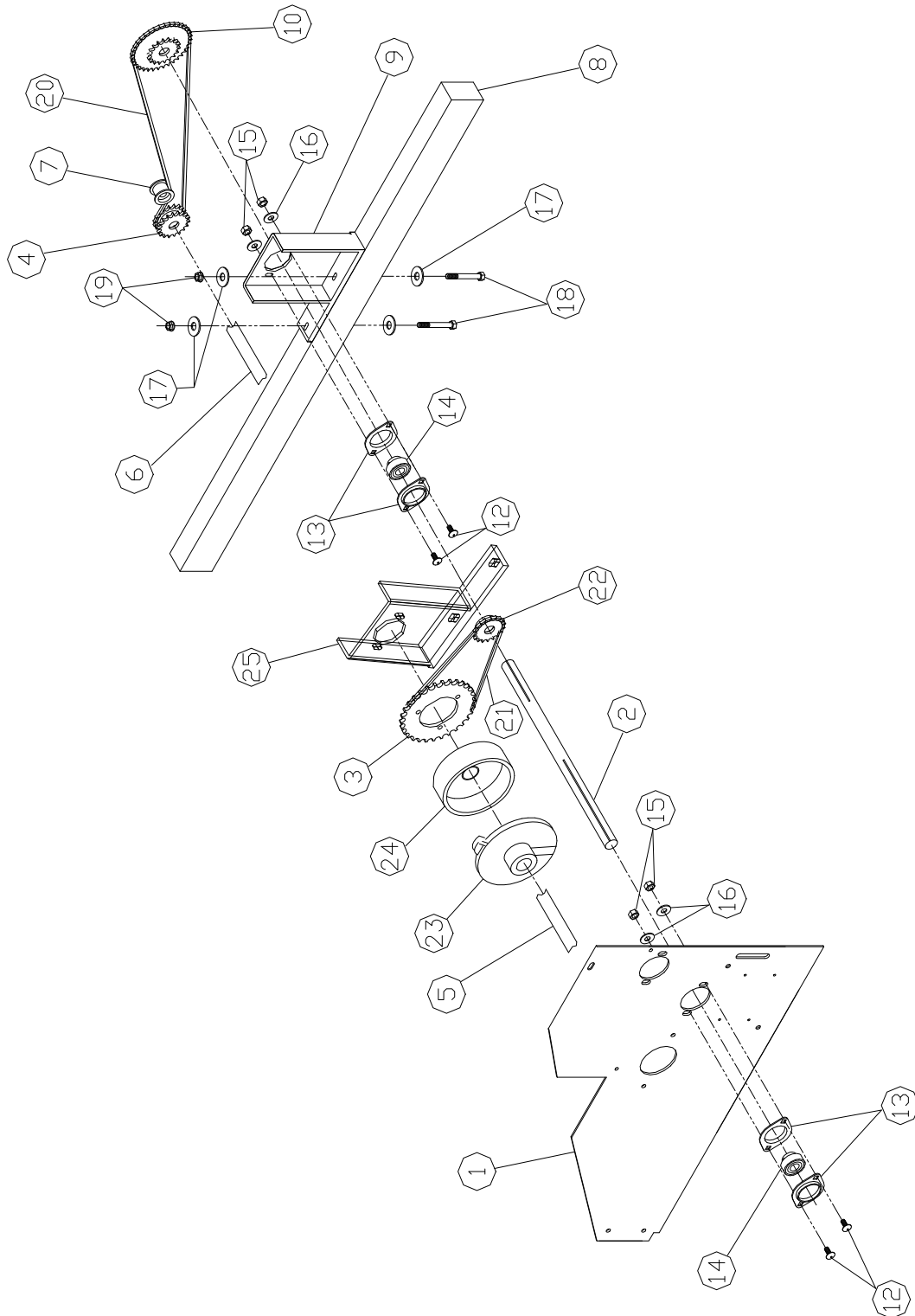
NOTE: Update kit includes all items shown above with an asterisks (*) next to the Item No.



PARTS CATALOG

ALWAYS ORDER BY PART NUMBER – NOT BY ITEM NUMBER

OUTPUT REDUCTION KIT (REAR WHEEL DRIVE) – PAGE 1 OF 2





PARTS CATALOG

ALWAYS ORDER BY PART NUMBER – NOT BY ITEM NUMBER

OUTPUT REDUCTION KIT (REAR WHEEL DRIVE) – PAGE 2 OF 2

ITEM NO.	PART NUMBER	DESCRIPTION
0	0710541 0710561	Output Reduction Kit FLXII Rear Wheel Drive Mdl. 812, 816, 818. Not available for FLXII Mdl. 86RD and 88RD. Output Reduction Kit FLXII Rear Wheel Drive Mdl. 822
1	103625	Support, Bearing & Clutch, FLXII
2	103165	Jack Shaft, Rear Drive
3	1044	Sprocket 40A30, Clutch Style (Standard)
4**	710531	Sprocket, Double 18/18, KY & SS
5	15-711	Shaft, Output
6	10375 (Mdl.88, 810, 812) 103751 (Mdl.816, 818, 822, 1012)	Drive Shaft, Leg
7	1042	Idler Assembly, 1/2"x 3-1/2"
8	Main Frame	Main Frame Support
9	103161 103161A	Jack Shaft & Output Reduction Kit Support RD Jack Shaft & Output Reduction Kit Support RD Mdl.822 Non-Typical
10**	710532	Sprocket, Double 18/36
12	CB516-.75	Carriage Bolt, 5/16"x 3/4"
13	3007A	Flangette - 52 MST
14	3007	Bearing 1" Spherical
15	N516-CL	Nut, 5/16" Clincher Nut
16	W516	Washer, 5/16"
17	W38	Washer, 3/8"
18	B38-4.5	Bolt, 3/8"x 4-1/2"
19	N38-FN	Nut, 3/8" Flanged Nut
20**	2040I	Chain, Output Reduction Kit (Leg Drive 18-Tooth Double Sprocket to 36-Tooth side Of 18/36 Double Sprocket) 75 Links w/Half Link or Full Link Connector.
21	2040K	Chain, Clutch RD (18 Tooth Sprocket to 30 Tooth Clutch Sprocket) 25 Links w/Offset Link and Full Link Connectors.
22	1045A	Sprocket, 40B18, KY & SS
23	1119	Clutch, Housing w/Dog Trip
24	1120	Clutch, Hub
25	10316	Bearing Support, FLXII

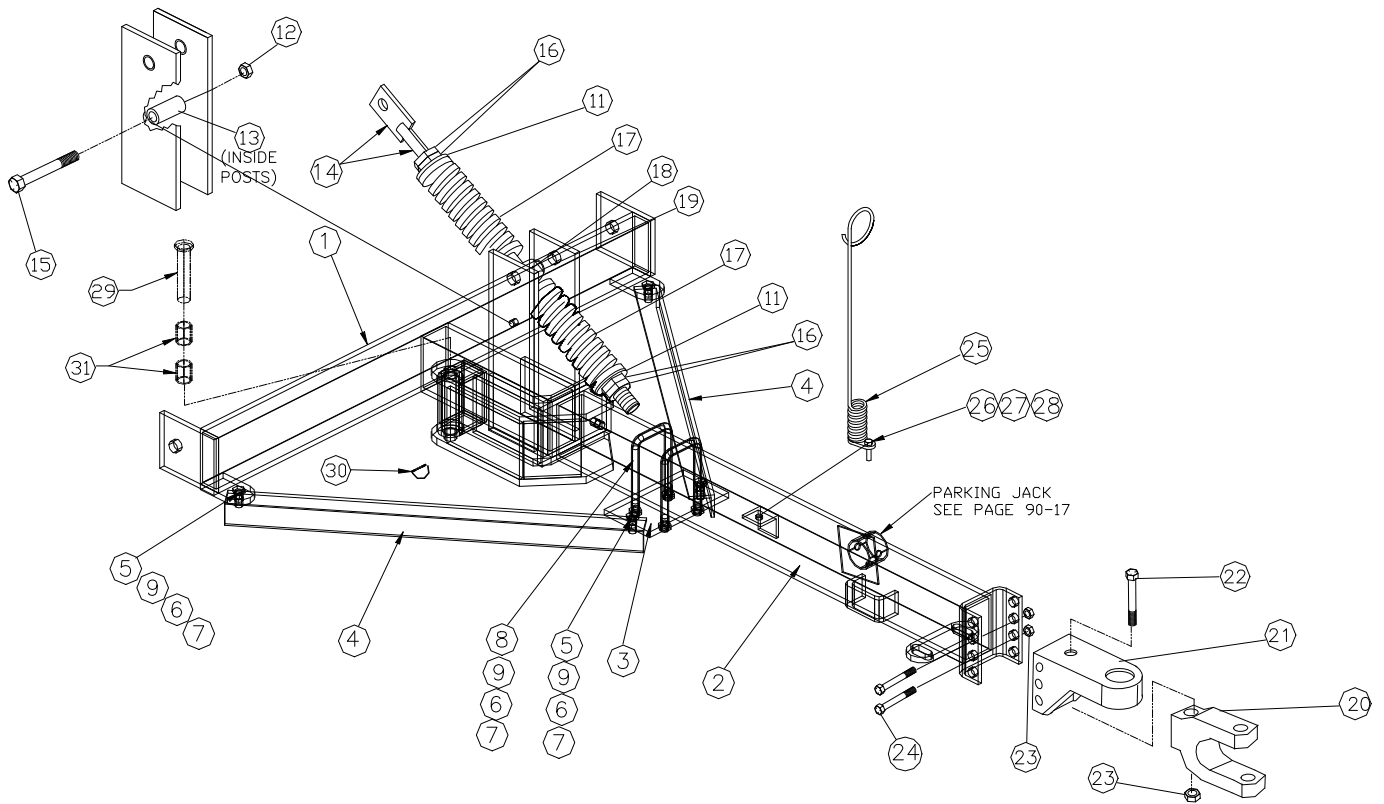
NOTE: Update kit includes all items shown above with a double asterisks ()** next to the Item No.



PARTS CATALOG

ALWAYS ORDER BY PART NUMBER – NOT BY ITEM NUMBER

FOLDING TONGUE – PAGE 1 OF 2





PARTS CATALOG

ALWAYS ORDER BY PART NUMBER - NOT BY ITEM NUMBER

FOLDING TONGUE - PAGE 2 OF 2

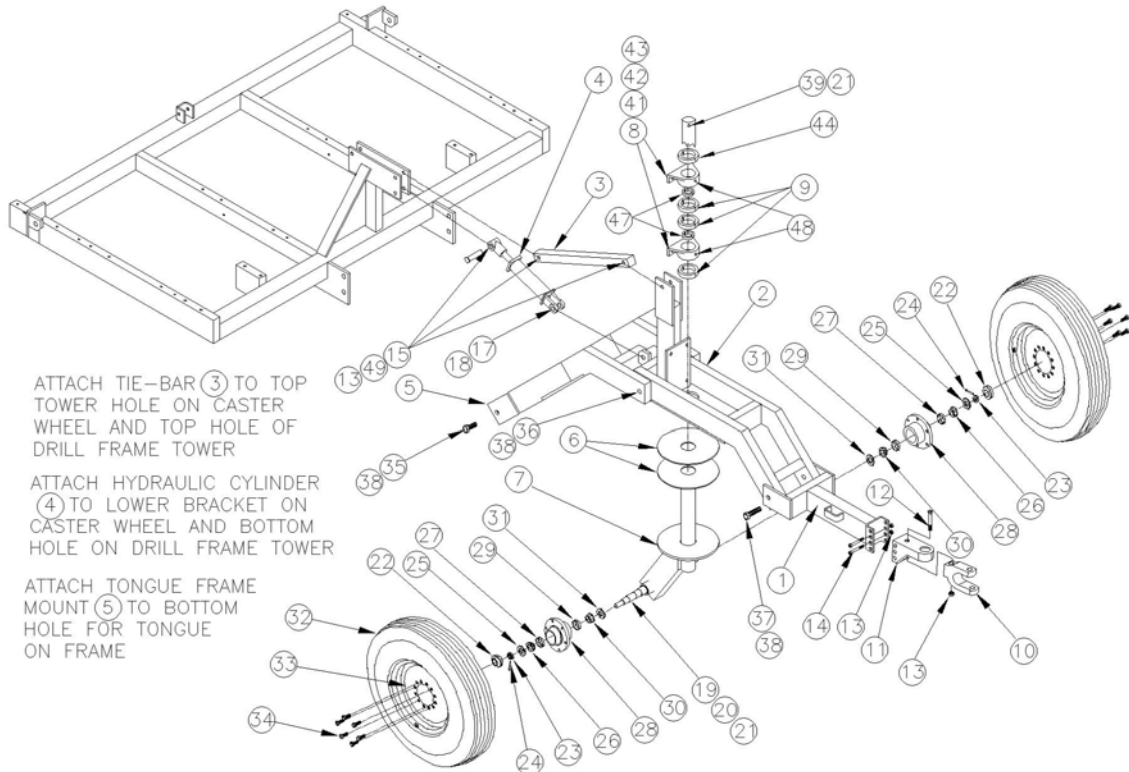
ITEM NO.	PART NUMBER	DESCRIPTION
0	04214X (Exchange On New Drill)	Folding Tongue Assembly, New Drill (Mdl. 86, 88, & 812)
	04214X1 (Exchange On New Drill)	Folding Tongue Assembly, New Drill (Mdl. 816, 818, & 822)
	04214XF (Replace Rigid Tongue On Drill In Service)	Folding Tongue Assembly, Replace Non-Folding Standard Tongue (Mdl. 86, 88, & 812)
	04214XF1 (Replace Rigid Tongue On Drill In Service)	Folding Tongue Assembly, Replace Non-Folding Standard Tongue (Mdl. 816, 818, & 822)
1	4214X01	Tongue, Frame Mount (Mdl. 86, 88, & 812)
	4214X101	Tongue, Frame Mount (Mdl. 816, 818, & 822)
2	4214X02	Tongue, Folding Hitch Mount (Mdl. 86, 88, & 812)
	4214X102	Tongue, Folding Hitch Mount (Mdl. 816, 818, & 822)
3	421403	Plate, Folding Tongue
4	4214X03	Support Arm, Folding Tongue (Mdl. 86, 88, & 812)
	4214X103	Support Arm, Folding Tongue (Mdl. 816, 818, & 822)
5	B58-2	Bolt, 5/8" x 2"
6	LW58 (Not Illustrated)	Lockwasher, 5/8"
7	N58 (Not Illustrated)	Nut, 5/8"
8	UB58-6.5-3	U-Bolt, 5/8" x 6-1/2" x 3"
9	W58GRD8 (Not Illustrated)	Washer, 5/8" Hardened
11	4232A	End Guides
12	N12	Nut, 1/2"
13	4232	Spacer, Spring Assembly
14	4217B1	Rod, Spring
15	B12-5.5	Bolt, 1/2" x 5-1/2"
16	N1.25-JNNC (4217D1)	Nut, 1-1/4" Jam Nut National Coarse Thread
17	4217A	Spring (All Models)
18	1093DD	Zirk, 1/4"-28
19	4207	Trunnion, Pivot
20	1022B2	Hitch Clevis (99-)
21	1022C1	Hitch Body, Standard (99-)
22	B34-6GRD8	Bolt, 3/4" x 6" Grade 8
23	N34-TL	Nut, 3/4" Top Lock
24	B34-5GRD8	Bolt, 3/4" x 5" Grade 8
25	4214	Hose Guide, 18"
26	B38-1.25	Bolt, 3/8" x 1-1/4"
27	W38 (Not Illustrated)	Washer, 3/8"
28	N38-FN (Not Illustrated)	Nut, 3/8" Flanged Nut
29	421404	Pin, Pivot Folding Tongue - 31/32"x6-5/8"
30	RP316-2	Roll Pin, 3/16" x 2"
31	102521	Bushing, Connex - 1-1/4" OD, 1" ID, 1-1/2" L (Requires 2)



PARTS CATALOG

ALWAYS ORDER BY PART NUMBER – NOT BY ITEM NUMBER

CASTER WHEEL, FRONT – PAGE 1 OF 2



ITEM NO.	PART NUMBER	DESCRIPTION
0	06001	Caster Wheel, Front Assembly
1	6001	Tongue, Caster Hitch Mount
2	6002	Tongue, Body
3	6003	Tie Bar, Upper
4	42260	Cylinder, Hydraulic 3"x 8" 2500PSI
5	6008	Tongue, Frame Mount
6	6005	Plate, Ultra High Molecular Weight Polyethylene
7	6006	Caster Mount
8	1037BHX	Bearing Mount, Casting
9	1037CLX2	Collar, Shaft 3"
10	1022B2	Hitch Clevis, (99-)
11	1022C1	Hitch Body, Standard (99-)
12	B34-6GRD8	Bolt, 3/4"x 6" Grade 8
13	N34-TL	Nut, 3/4" Top Lock



PARTS CATALOG

ALWAYS ORDER BY PART NUMBER – NOT BY ITEM NUMBER

CASTER WHEEL – PAGE 2 OF 2

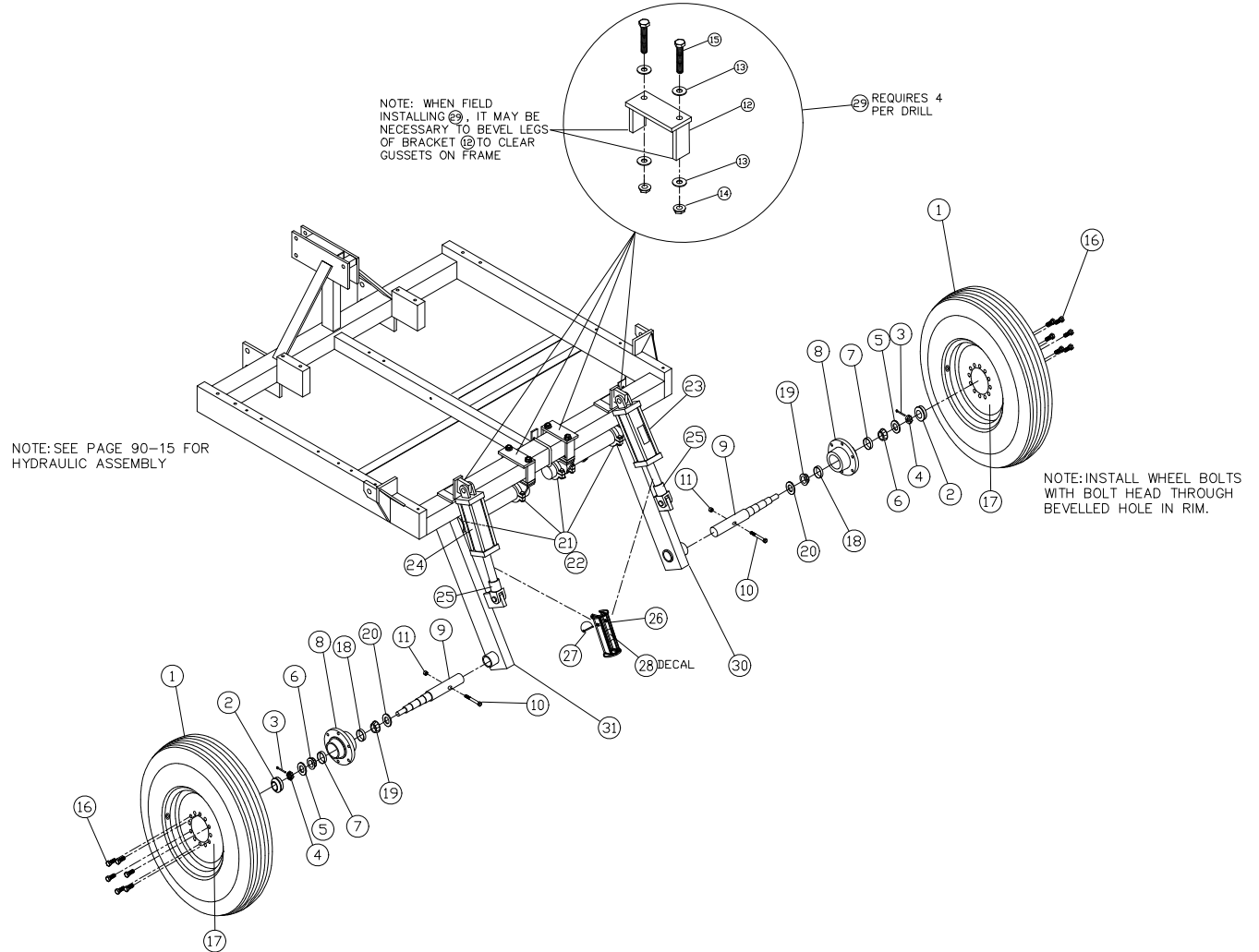
ITEM NO.	PART NUMBER	DESCRIPTION
14	B34-5GRD8	Bolt, 3/4"x 5" Grade 8
15	B34-4	Bolt, 3/4"x 4"
17	80112 (Not Illustrated)	Pin, Hydraulic, FLEX
18	CP316-2 (Not Illustrated)	Cotter Pin, 3/16"x 2"
19	20360	Axle, 6-Bolt Dual Wheels (Pinned), 1992- (Cold Rolled Steel)
20	B38-3.25 (Not Illustrated)	Bolt, 3/8"x 3-1/4"
21	N38-CL (Not Illustrated)	Nut, 3/8" Clincher Nut
22	1082B	Cap, Dust for 6-Bolt Hub
23	CN78-NF (1073B)	Nut, Castle - 7/8" National Fine Thread
24	CP316-1.75 (1110B)	Cotter Pin, 3/16" x 1-3/4"
25	W78 (1080B)	Washer, 7/8"
26	1076C1	Outer Bearing, 6-Bolt Hub
27	1076CC	Cup, 6-Bolt Hub, Outer
28	1085C	Hub, 6-Bolt
29	1077CC	Cup, 6-Bolt Hub, Inner
30	1077C	Inner Bearing, 6-Bolt Hub
31	1038C	Seal, 6-Bolt Hub
32	1072BA1 (After Late '93) 1072BA2 (Optional) 107204 (Optional) 107214 (Optional)	Tire, 7.60" x 15SL 8 ply Rib Implement. Tubeless Style Tire, ST225/75R15 Load Rating D Highway Truck Tire Tire, ST225/75R15 Load Rating E Heavy Duty Truck Tire Tire, 9.5L-15SL, 8 Ply Rib Implement Flotation Tire
33	1072B1	Rim, 15" Wheel, Offset, 6-Bolt (Valve Stem Reversed)
34	WB12-20-1.25	Wheel Bolt, 1/2"-20 x 1-1/4" With 45 ⁰ Bevel From Centerline These are wheel bolts for agriculture equipment <u>not</u> automotive wheel bolts.
35	B1-2.5	Bolt, 1"x 2-1/2"
36	B1-5.5	Bolt, 1"x 5-1/2"
37	B1-4	Bolt, 1"x 4"
38	N1-JN (Not Illustrated)	Nut, 1" Jam Nut (Requires Double Nut)
39	B38-3.5 (Not Illustrated)	Bolt, 3/8"x 3-1/2"
41	B12-2GRD9	Bolt, 1/2"x 2" Grade 9
42	W12GRD9	Washer, 1/2" Grade 9
43	N12GRD9	Nut, 1/2" Grade 9
44	1037CLX3	Collar, Split With Corners of tabs ground off to fit
47	1037FLB	Bearing, FLXII
48	1093DD	Zirk, 1/4"-28
49	102522	Bushing, Connex 1"OD, 3/4" ID, 3/4" L (Requires 2 at each location)
50	4224A2 (Not Illustrated)	45 degree - 3/8" O-Ring, Hydraulic Fitting, 3/8" N.P.T.
51	42220 (Not Illustrated)	Hydraulic Quick Disconnect (Male)
52	4222X6 (Not Illustrated) 4222X7 (Not Illustrated)	Hose, Hydraulic, FLXII, 3/8" Male, NPT & 1/2" male - 6 ft Hose, Hydraulic, FLXII, 3/8" Male, NPT & 1/2" male - 7 ft



PARTS CATALOG

ALWAYS ORDER BY PART NUMBER – NOT BY ITEM NUMBER

REAR TRANSPORT WHEELS (SINGLE WHEEL) – PAGE 1 OF 2



Note: Standard for rear transport tire spacing from tire centerline to tire centerline is 99". Overall outside width will depend on tire option selected.

ITEM NO.	PART NUMBER	DESCRIPTION
0	099010 (Mdl 86) 099011 (Mdl 88, 812) 099012 (Mdl 816, 818, 822)	Rear Transport Wheels, Single Wheel
1	1072BA1 (Standard) 1072BA2 (Optional) 107204 (Optional) 107214 (Optional)	Tire, 7.60" x 15/6 Rib Implement Tubeless Style Tire, 7.60" x 15/6 Hwy Tread (4-6 ply) Radial Truck Tire Tire, 7.60" x 15/8 Heavy Duty Tread (8-10 ply) Bias Truck Tire Tire, 9.5L, 8 Ply Rib Implement Flotation Tire
2	1082B	Cap, Dust For 6-Bolt Hub
3	CP316-1.75 (1110B)	Cotter Pin, 3/16"x 1-3/4"



PARTS CATALOG

ALWAYS ORDER BY PART NUMBER – NOT BY ITEM NUMBER

REAR TRANSPORT WHEELS (SINGLE WHEEL) – PAGE 2 OF 2

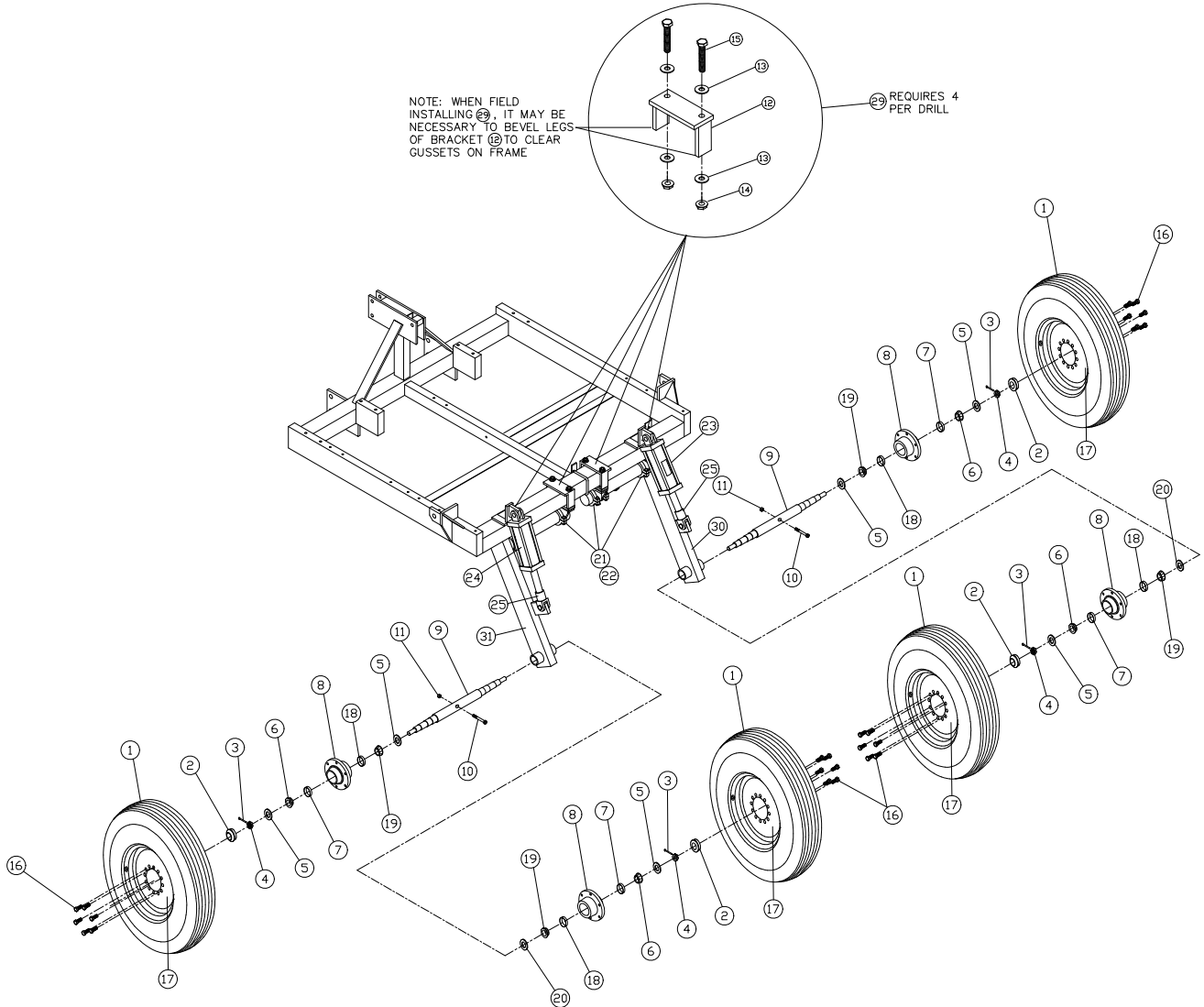
ITEM NO.	PART NUMBER	DESCRIPTION
4	CN78-NF (1073B)	Castle Nut, 7/8" National Fine Thread
5	W78 (1080B)	Washer, 7/8"
6	1076C1 (After Early '93)	Outer Bearing, 6-Bolt Hub
7	1076CC (After Early '93)	Cup, 6-Bolt Hub - Outer
8	1085C (After '93)	Hub, 6-Bolt
9	2036C1 (Mdl. 86, 88, 812) 2036C2 (Mdl. 816, 818, 822)	Axle, 6-Bolt (Pinned), 1992- (Cold Rolled Steel) Axle, 6-Bolt (Pinned), 1992- (Cold Rolled Steel)
10	B38-3.25	Bolt, 3/8"x 3-1/4"
11	N38-CL	Nut, 3/8" Clincher
12	10365	Bracket, Support on Rear Drive & Rear Transport Legs
13	W58GRD8	Washer, 5/8" Hardened
14	N58-TL	Nut, 5/8" Top Lock
15	B58-7GRD8	Bolt, 5/8"x 7" Grade 8
16	WB12-20-1.25	Wheel Bolts, 1/2"-20 x 1-1/4" With 45° Bevel from Centerline These are wheel bolts for agriculture equipment <u>not</u> automotive wheel bolts.
17	1072B1 (After Early '93)	Rim, 15" Wheel, Offset, 6-Bolt (Valve Stem Reversed)
18	1077CC (After Early '93)	Cup, 6-Bolt Hub, Inner
19	1077C (After Early '93)	Inner Bearing, 6-Bolt Hub
20	1138C (After Early '93)	Seal, 6-Bolt Hub
21	1037BHX (Mdl.88, 812 RD,RT) 1037BHX2 (Mdl.88, 812 RD,RT) 1037BHX3 (Mdl.816, 818, 822 RD,RT) 1037BHX4 (Mdl.816, 818, 822 RD,RT)	Bearing Mount, Casting Bearing Mount, Casting - Zirk Repositioned Bearing Mount, Casting - 5/8" Bolt Holes In Casting Bearing Mount, Casting - 5/8" Bolt Holes In Casting & Zirk Repositioned
22	1037FLB	FLXII Bearing, 3-1/4"x 3"x 2" (NOTE: Bearing is installed inside of each Bearing Mount Casting)
23	4226XD - Right Side (Viewed From Rear of Drill) (PMS-AF-1062)	Hydraulic Cylinder, 3-1/4"x 8" Rephasing Tie Rod
24	4226XND - Left Side (Viewed From Rear of Drill) (PMS-AF-1068)	Hydraulic Cylinder, 3-1/2"x 8" Rephasing Tie Rod
25	1036FF2	Spacer, Cylinder Arm - 1-1/2"x 1-1/4" ID
26	4226XG3	Hydraulic Transport Guard, 8-1/4"
27	4226XG0	Retainer, Hydraulic Transport
28	1046C13	Decal, Transport Lock
29	10365A	Bracket, Support - Assembly w/Hardware (Requires 4 per drill)
30	10375A (Mdl 88, 812) 10375B (Mdl 816, 818, 822) 10375C (Mdl 86)	Transport Leg - Right Side for Single Wheel
31	1037LNDX0 (Mdl 88, 812) 1037LNDX3 (Mdl 816, 818, 822) 1037LNDX6 (Mdl 86)	Transport Leg - Left Side for Single Wheel



PARTS CATALOG

ALWAYS ORDER BY PART NUMBER – NOT BY ITEM NUMBER

REAR TRANSPORT WHEELS (DUAL WHEELS) – PAGE 1 OF 2



Note: Standard for rear transport tire spacing from tire centerline to tire centerline is 99" on outside dual and 53" from tire centerline to tire centerline for inside dual. Overall outside width will depend on tire option selected.

ITEM NO.	PART NUMBER	DESCRIPTION
0	09902 & 09902	Rear Transport Wheels with Dual Tires (Mdl 812, 816, 818, 822)
1	1072BA1 (Standard)	Tire, 7.60" x 15SL 8 ply Rib Implement. Tubeless Style
	1072BA2 (Optional)	Tire, ST225/75R15 Load Rating D Highway Truck Tire
	107204 (Optional)	Tire, ST225/75R15 Load Rating E Heavy Duty Truck Tire
	107214 (Optional)	Tire, 9.5L-15SL, 8 Ply Rib Implement Flotation Tire
2	1082B	Cap, Dust For 6-Bolt Hub
3	CP316-1.75 (1110B)	Cotter Pin, 3/16"x 1-3/4"



PARTS CATALOG

ALWAYS ORDER BY PART NUMBER – NOT BY ITEM NUMBER

REAR TRANSPORT WHEELS (DUAL WHEEL) – PAGE 2 OF 2

ITEM NO.	PART NUMBER	DESCRIPTION
4	CN78-NF (1073B)	Castle Nut, 7/8" National Fine Thread
5	W78 (1080B)	Washer, 7/8"
6	1076C1 (After Early '93)	Outer Bearing, 6-Bolt Hub
7	1076CC (After Early '93)	Cup, 6-Bolt Hub - Outer
8	1085C (After '93)	Hub, 6-Bolt
9	2036C0	Axle, 6-Bolt Dual Wheels (Pinned), 1992- (Cold Rolled Steel)
10	B38-3.25	Bolt, 3/8"x 3-1/4"
11	N38-CL	Nut, 3/8" Clincher
12	10365	Bracket, Support on Rear Drive & Rear Transport Legs
13	W58GRD8	Washer, 5/8" Hardened
14	N58-TL	Nut, 5/8" Top Lock
15	B58-7GRD8	Bolt, 5/8"x 7" Grade 8
16	WB12-20-1.25	Wheel Bolts, 1/2"-20 x 1-1/4" With 45° Bevel from Centerline These are wheel bolts for agriculture equipment <u>not</u> automotive wheel bolts.
17	1072B1 (After Early '93)	Rim, 15" Wheel, Offset, 6-Bolt (Valve Stem Reversed)
18	1077CC (After Early '93)	Cup, 6-Bolt Hub, Inner
19	1077C (After Early '93)	Inner Bearing, 6-Bolt Hub
20	1138C (After Early '93)	Seal, 6-Bolt Hub
21	1037BHX (Mdl.88, 812 RD,RT) 1037BHX2 (Mdl.88, 812 RD,RT) 1037BHX3 (Mdl.816, 818, 822 RD,RT) 1037BHX4 (Mdl.816, 818, 822 RD,RT)	Bearing Mount, Casting Bearing Mount, Casting - Zirk Repositioned Bearing Mount, Casting - 5/8" Bolt Holes In Casting Bearing Mount, Casting - 5/8" Bolt Holes In Casting & Zirk Repositioned
22	1037FLB	FLXII Bearing, 3-1/4"x 3"x 2" (NOTE: Bearing is installed inside of each Bearing Mount Casting)
23	4226XD - Right Side (Viewed From Rear of Drill) (PMS-AF-1062)	Hydraulic Cylinder, 3-1/4"x 8" Rephasing Tie Rod
24	4226XND - Left Side (Viewed From Rear of Drill) (PMS-AF-1068)	Hydraulic Cylinder, 3-1/2"x 8" Rephasing Tie Rod
25	1036FF2	Spacer, Cylinder Arm - 1-1/2"x 1-1/4" ID
26	4226XG3	Hydraulic Transport Guard, 8-1/4"
27	4226XG0	Retainer, Hydraulic Transport
28	1046C13	Decal, Transport Lock
29	10365A	Bracket, Support - Assembly w/Hardware (Requires 4 per drill)
30	1037LNDX8 (Mdl 816, 818, 822)	Transport Leg - Right Side for Dual Wheels
31	1037LNDX7 (Mdl 816, 818, 822)	Transport Leg - Left Side for Dual Wheels

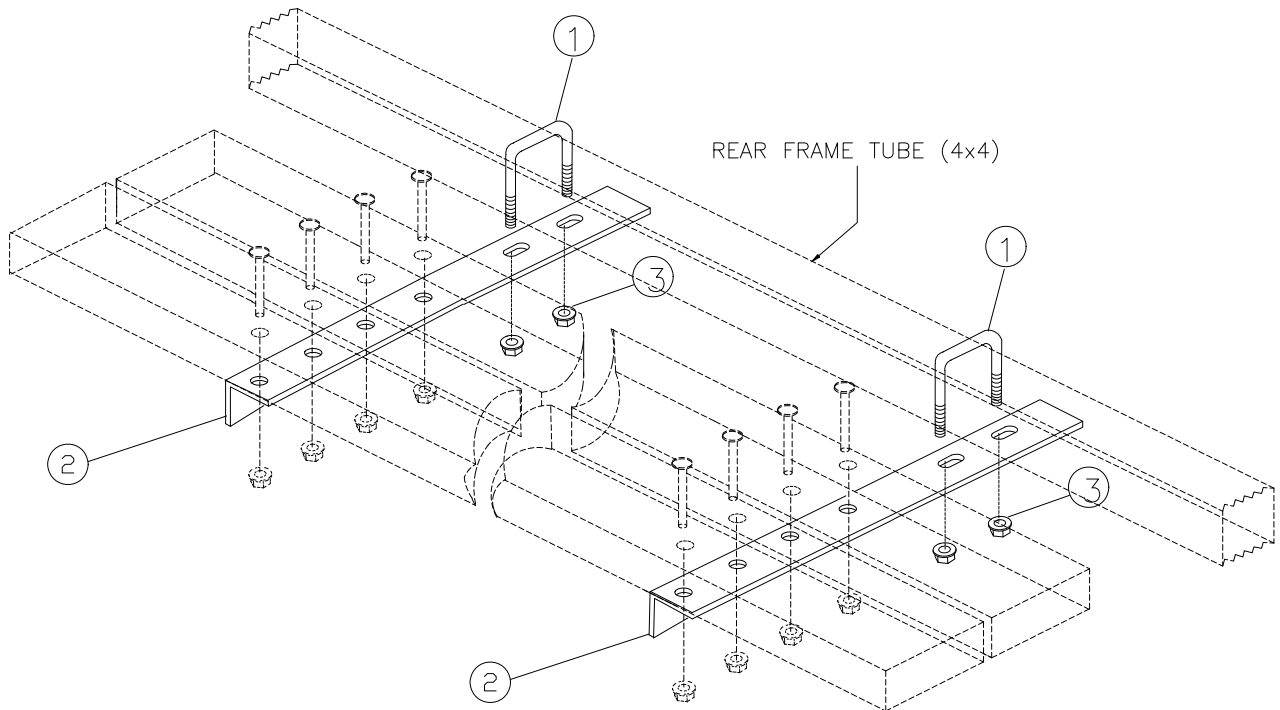


PARTS CATALOG

ALWAYS ORDER BY PART NUMBER – NOT BY ITEM NUMBER

FOOT BOARD BRACKET OPTION – PAGE 1 OF 1

ITEM NO.	PART NUMBER	DESCRIPTION
1	UB38-4-4.5	U-Bolt, 3/8" x 4" x 4-1/2"
2	90188 901881	Foot Board Support, Standard Foot Board Support, Lengthened for rear drive or spare tire mount
3	N38-FL	Nut, 3/8" Flanged Nut





PARTS CATALOG

ALWAYS ORDER BY PART NUMBER – NOT BY ITEM NUMBER

REAR JACK STAND – PAGE 1 OF 1

ITEM NO.	PART NUMBER	DESCRIPTION
0	03202	Jack Stand, Rear – Side wind with adjustable drop leg.
1	3202	Jack With Welded Mounting Plate
2	UB58-6.25-4	U-Bolt, 5/8" x 6-1/4" x 4" (Requires 2)
3	N58-FN	Nut, 5/8" Flanged Nut
4	3203	Mounting Plate, Front mount over no-till.



Rear Jack Extended



Rear Jack Retracted

Rear Jack Stand – Side wind jack with adjustable drop leg. Jack has a mounting plate welded to the jack and is attached to the rear drill frame member with two 5/8" U-Bolts. Rear jack stand is needed when a FLEXII drill does not have no-till coulters. Use one jack on Models FLXII-86, FLXII-88, and FLXII-812. Use two jacks on Models FLXII-816, FLXII-818, and FLXII-822.

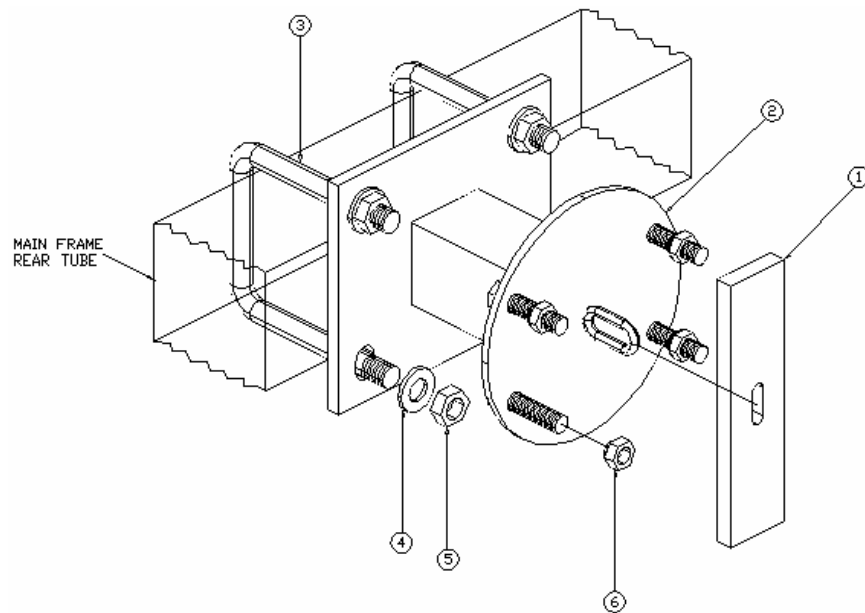


PARTS CATALOG

ALWAYS ORDER BY PART NUMBER – NOT BY ITEM NUMBER

SPARE TIRE MOUNT/LOCKABLE – PAGE 1 OF 1

ITEM	PART NUMBER	DESCRIPTION
0	1072MST	Spare Tire Mounting Bracket with Locking Bar.
1	107202MST	Locking Bar, Spare Tire Mount
2	107201MST	Bracket, Spare Tire Mount
3	UB58-6-4	U Bolt, 5/8" x 6" x 4"
4	W58GRD8	Washer, 5/8" Hardened
5	N58-FN	Nut, 5/8" Flanged Nut
6	WN12-20	Wheel Nuts, 1/2"-20 NF
Spare Tire	1072BA	Tire, 7.60-15SL 8 ply Rib Implement Tire and Rim
Spare Tire	1072BA3	Tire, ST225/75R15 8 ply Load Rating D Highway Tread Truck Tire and Rim
Spare Tire	1072041	Tire, ST225/75R15 10 ply Load Rating E Heavy Duty Tread Truck Tire and Rim
Spare Tire	1072141	Tire, 9.5L-15SL 8 ply Rib Implement Flotation Tire and Rim



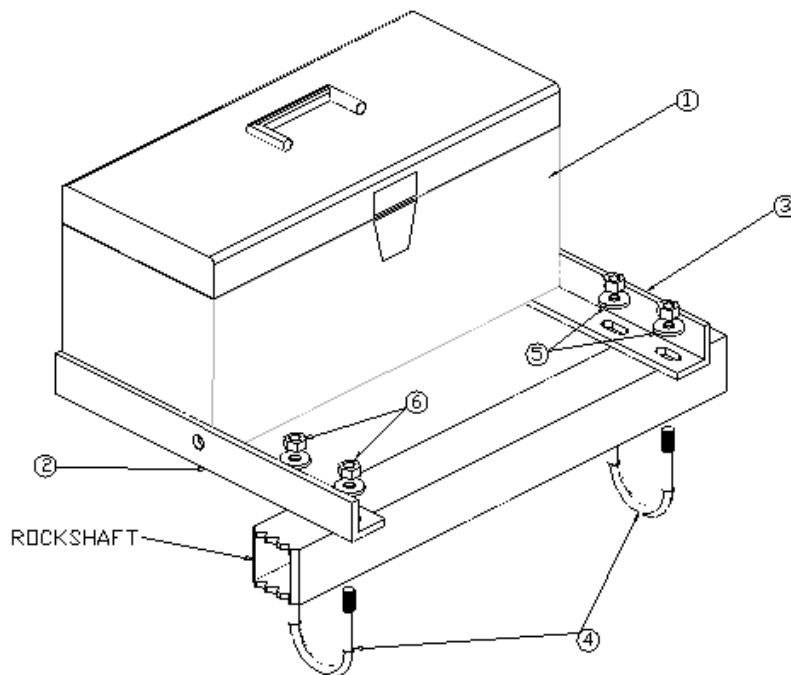


PARTS CATALOG

ALWAYS ORDER BY PART NUMBER – NOT BY ITEM NUMBER

TOOL BOX – PAGE 1 OF 1

ITEM	PART NUMBER	DESCRIPTION
0	01071	Tool Box, Lockable w/Mounting Brackets and Hardware
1	107101	Tool Box, Lockable
2	107102	Bracket, Tool Box Mount Right Side (View from rear of drill)
3	107103	Bracket, Tool Box Mount Left Side (View from rear of drill)
4	UB38-2.5-3	U Bolt 3/8"x 2-1/2"x 3"
5	W38	Washer, 3/8"
6	N38-TL	Nut, 3/8" Top Lock
7	107104 (Not Illustrated)	Bracket, Tool Box Mount - One Piece (Replaces Items 2 and 3)



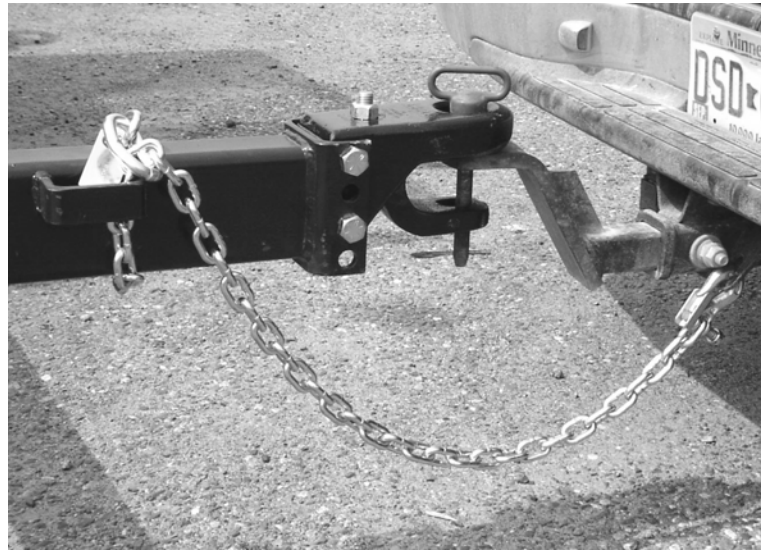


PARTS CATALOG

ALWAYS ORDER BY PART NUMBER – NOT BY ITEM NUMBER

SAFETY CHAIN – PAGE 1 OF 1

ITEM	PART NUMBER	DESCRIPTION
Safety Chain	4233A	Safety Chain, Drill Tongue to Towing Vehicle.



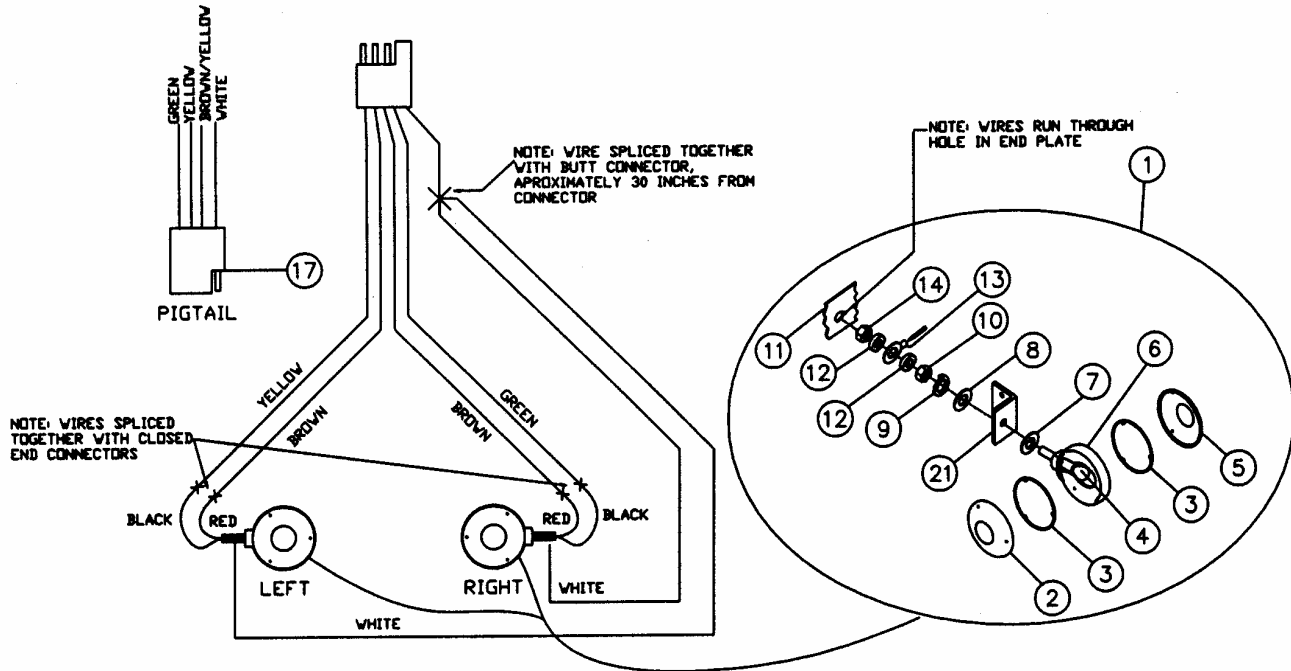
Attach the safety chain so there is only enough slack in the chain to permit turning.



PARTS CATALOG

ALWAYS ORDER BY PART NUMBER - NOT BY ITEM NUMBER

TAIL LIGHTS - PAGE 1 OF 2



Note: "X" denotes a wire splice in the diagram (Note 5 wires splices).

Note: Wire connectors must be installed with the closed end up to prevent water from collecting in the connector and causing corrosion.

Note: Dielectric Grease is used on all wire slices and connections during assembly to reduce the possibility of corrosion in the field and subsequent malfunction of lights. It is recommended this product be used when wiring repairs are made.

Note: Some late model tow vehicles are equipped with separate circuits for the turn and brake lights. Most auto parts stores can supply a "converter" box to convert the split brake/turn signal system to a conventional "4-wire" trailer light hookup as used on the Truax drill. Contact your local tow vehicle manufacturer or dealer for additional information.

PIGTAIL WIRE FUNCTIONS	
Color	Function
Green	Right Turn Signal/Brake
Yellow	Left Turn Signal/Brake
Brown	Tail Lights
White	Ground



PARTS CATALOG

ALWAYS ORDER BY PART NUMBER - NOT BY ITEM NUMBER

TAIL LIGHTS - PAGE 2 OF 2

ITEM NO.	PART NUMBER	DESCRIPTION
0	1036EX2 (Mdl.88) 1036EX3 (Mdl.812) 1036EX4 (Mdl.816) 1036EX5 (Mdl.818) 1036EX6 (Mdl.822) 1036EX10 (Mdl.86)	Tail Light Kit - Complete With Wiring Harness (Includes Item 1, and Items 12 through 20)
1	1036EX8	Tail Light Assembly - For Both Right and Left Sides (Includes Items 2 through 10 Listed Below)
2**	PM33415	Lens, Red
3**	PM33415G	Gasket, Tail Light Lens
4**	2057-12V	Bulb, Tail light
5**	PM33416	Lens, Orange
6**	PM335	Tail Light Metal Standard with Socket
7**	RW12	Washer, Rubber 1/2"
8**	W12	Washer, 1/2"
9**	LW12	Lock Washer, 1/2"
10**	N12-20	Nut, 1/2"-20
11	End Plate	End Plate, Seed Box (Shown for reference)
12	MB12	Machine Bushing, 1/2"
13	GWT31207	Ring Terminal, 1/2" ID for Ground Wire
14	N12-20-CLJN	Nut, 1/2"-20 Clincher Jam Nut
15	NCP-500 (Not Illustrated)	Corrugated Loom, Non-Slit 1/2" ID - See Table below for lengths.
16	21100 (Not Illustrated)	Tee, Corrugated Loom Fitting (Joins 3 Pieces of Loom)
17	PM336	Tail Light Pigtail
18	37025 Waytec, Inc (Not Illustrated)	Closed End Connector
19	32070 Waytec, Inc (Not Illustrated)	Butt Connector, 12-10 Ga.
20	4222A (Not Illustrated)	Tie, Plastic - Short

** Item included in Tail Light Assembly. Individual parts not sold by Truax Company.

Tail Light Wire Requirements:

WIRE COLOR	YELLOW	BROWN	GREEN	WHITE	LOOM (3 PIECES)
Function	Left Turn Light/Brake	Tail Light	Right Turn Light/Brake	Ground	Wire Cover
Model #	Lengths Shown In Feet				
FLXII-86	18	18	18	18	14-4-4
FLXII-88	20	20	20	20	14-5-5
FLXII-812	22	22	22	22	14-6-6
FLXII-816	24	24	24	24	14-7-7
FLXII-818	26	26	26	26	14-8-8
FLXII-822	28	28	28	28	14-9-9

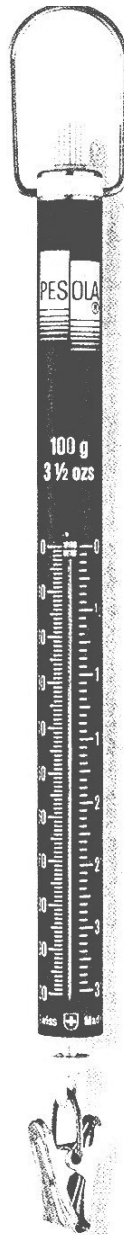


PARTS CATALOG

ALWAYS ORDER BY PART NUMBER – NOT BY ITEM NUMBER

SCALE - PESOLA SPRING SCALE (OUNCES & GRAMS) - PAGE 1 OF 1

ITEM	PART NUMBER	DESCRIPTION
Scale	93628M	Scale – Pesola Brand, Model 20103, Used in drill calibration procedure.



The Pesola™ Micro-Line Spring Scale with crocodile style clamp is graduated in both metric (grams) and English (ounces) graduations. The scale is available to facilitate weighing seed during the drill calibration procedure.



PARTS CATALOG

ALWAYS ORDER BY PART NUMBER – NOT BY ITEM NUMBER

NO-TILL BLADE OPTIONS – PAGE 1 OF 1



**13-1/2" Notched
Concave Blade**

**18" Notched
Concave Blade**

**18" 25-Wave
Blade**

Pictured above are the three style no-till blades available for FLEXII drills. Pictured on the left is the 13-1/2" Trash Plow blade. This is standard equipment unless another style is specified. Pictured in the middle is the 18" Trash Plow blade. Both of these blades are concave, notched blades and require the torsion arm style mount (See Page 90-49). Pictured on the right is the 18", 25-wave blade. This blade requires the round shank, caster style mount (See Page 90-47).

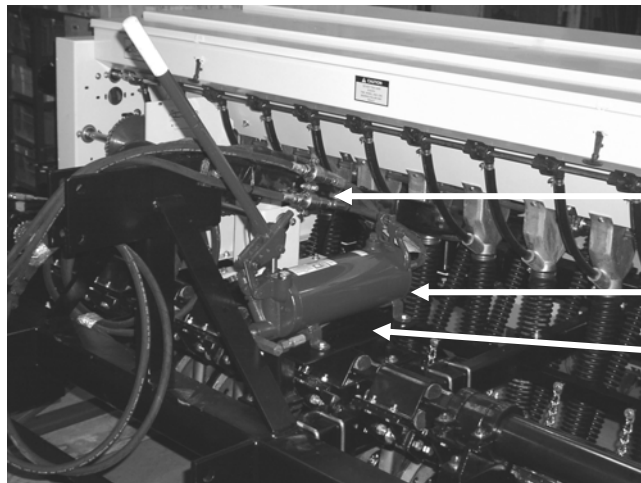


PARTS CATALOG

ALWAYS ORDER BY PART NUMBER – NOT BY ITEM NUMBER

MANUAL HYDRAULICS - PAGE 1 OF 1

ITEM	PART NUMBER	DESCRIPTION
0	0422601	Hydraulics, Manual Operation (Includes Items 1 through 15)
1	422610	Bracket, Mounting - Manual Hydraulic (Mdl. 86, 88)
	422611	Bracket, Mounting - Manual Hydraulic (Mdl. 812, 816, 818, 822)
2	422602	Pump, Manual Hydraulic (Prince PM-HP-10B)
3	422603 (Not Identified)	Fitting, 90° With Swivel End - Short (FG1501-6-6) (6MP-6FPX 90)
4	422604 (Not Identified)	Fitting, 90° With Swivel End - Long (1501-LL-06-06) (6MP-6FPX Long 90)
5	4222X1.5 (Not Identified)	Hose, Hydraulic - 1-1/2 Feet With 3/8" Male End
6	4222X3 (Not Identified)	Hose Hydraulic - 3 Feet With 3/8" Male End
7	422605 (Not Identified)	Coupler, Female Quick Disconnect - Requires 2 (NV-12-F)
8	422606 (Not Identified)	Bracket, Hose Disconnect Assembly (5006-4/ISO4250-4)
9	422607 (Not Identified)	Reducer, 1/2" to 3/8" - Requires 2 (3220-8-6) (8-6 Hex Reducer Bushing)
10	422608 (Not Identified)	Standoff, 5/16" ID x 5/8" OD x 1" L - Requires 2 (1041A2)
11	N516 (Not Identified)	Nut, 5/16" - Requires 2
12	N38 (Not Identified)	Nut, 3/8" - Requires 10
13	B38-1 (Not Identified)	Bolt, 3/8"x 1 - Requires 4
14	W38 (Not Identified)	Washer, 3/8" - Requires 14
15	UB38-2.5-3.25 (Not Identified)	U Bolt, 3/8"x 2-1/2"x 3-1/4" - Requires 3



Hydraulic Couplers Connected to Drill Hydraulic System.

Manual Hydraulic Pump

Mounting Bracket

Manual hydraulics permit raising or lowering the drill without the need for a tractor with hydraulics on site.



KEY WORD INDEX

AGITATOR

Transporting the Drill	20-7
Preliminaries to Calibration	30-3
Idler Assemblies.....	40-10
Troubleshooting	50-1, 50-2, 50-7, 50-9
Optional Accessories	70-1

ACRE METER

Large Fluffy Seed Box - Note	30-10
Non-Resettable Hub-Style.....	30-17
Electronic	30-17 through 30-19
Troubleshooting.....	50-13
Optional Accessories	70-1, 70-2

AXLE

Lubrication	40-12, 40-13
Troubleshooting.....	50-10

BEARINGS/BUSHINGS

Failure.....	30-2
Maintenance	40-5, 40-6
Bronze Bushings.....	40-7
Bearing Mount.....	40-7
Lubrication	40-12, 40-13
Press Wheel / End Wheel	40-12, 40-13
Troubleshooting.....	50-1, 50-2, 50-3, 50-4, 50-5, 50-7

CALIBRATION

Seed Calibration Procedure	30-2
Methods	30-2
Factors Affecting Seeding Rate.....	30-3
Preliminaries.....	30-3
Procedure for 8" Row Spacing (Grams & Ounces).....	30-4
Procedure for 10" Row Spacing (Grams & Ounces).....	30-5
Seeds Per Row Foot / Seeds Per Pound.....	30-6
Sample Bag Per Field	30-6
Seed Information	30-7, 30-8
Adjusting Calibration	30-9 through 30-13
Troubleshooting.....	50-7 through 50-10

CHAINS

Safety Precautions	10-4
Set-Up and Preparation.....	20-2
Orientation of Seed Box Chains	40-10
Lubrication	40-12, 40-13
Chain Identification and Part Number.....	40-17
Troubleshooting.....	50-1



KEY WORD INDEX

CLUTCH

Clutch Assembly	40-7
Sprocket.....	40-8
Tripper.....	40-8, 40-9
Lubrication	40-12
Troubleshooting	50-2, 50-3
Storage.....	60-1

COOL SEASON BOX

Installation	20-8
Adjusting The Calibration.....	30-9, 30-10
Maintenance	40-1, 40-2, 40-3
Troubleshooting	50-6, through 50-9
Storage & Placing the Drill Back In Service.....	60-1
Optional Accessories - FLEXII Grass Drill	70-1
Parts Catalog (Used w/Fluffy Box).....	90-29 through 90-32
Parts Catalog (Not Fitted w/Fluffy Box).....	90-33 through 90-36

DECALS

Safety.....	10-2
Placement	10-3
Missing Decals	20-4

DEPTH BANDS

Opener Penetration.....	30-1
Scrapers	40-4, 40-5
Sizes	40-6
E-Z Off.....	40-6
Troubleshooting	50-4, 50-5
Optional Accessories.....	70-1, 70-2

DISC OPENERS

Set-Up and Preparation	20-2
Double-Disc Openers	30-2
Servicing Disc Blades	40-5, 40-6
Lubrication	40-12, 40-13
Troubleshooting	50-3, 50-4, 50-5, 50-12

DOUBLE SPROCKET

Output Reduction Kit Installation	20-9, 20-10
Cool Season or Grain Seed Box.....	30-9
Troubleshooting	50-9



KEY WORD INDEX

DRILL

Models	i
Size Designation	ii
Warranty	iii
Uncrating and Set Up	20-1, 20-2, 20-3, 20-4
Attaching	20-5
Identifying	20-6
Transporting	20-7
Installing Options	20-8, 20-9, 20-10
Seeding Capacity	30-15
Storage & Placing the Drill back In Service.....	60-1, 60-2
Options	70-1, 70-2
Specifications	80-1, 80-2, 80-3

FERTILIZER

Important Note	30-2
Troubleshooting.....	50-2, 50-7

FOOT BOARD BRACKETS OPTION

Parts Catalog – Foot Board Brackets.....	90-67
--	-------

GREASE ZIRK

Lubrication	40-12, 40-13
Troubleshooting.....	50-2

GUARDS

Safety Precautions	10-1, 10-4
--------------------------	------------

HYDRAULIC

High Pressure Safety	10-5, 20-4
Hookups.....	20-1, 20-4, 20-5
Rear Drive - Tongue Hydraulic Cylinder	30-16
Cylinders	40-14, 40-15
Hoses	40-15
Troubleshooting.....	50-10, 50-11
Parts Catalog - Main Frame Hydraulics	90-15, 90-16

HITCHES

Installation	20-1
Three-Point	30-15
Maintenance	40-14

IDLER ASSEMBLIES

Maintenance	40-10
Lubrication	40-12, 40-13
Parts Catalog - Idler Assemblies	90-13, 90-14