

FLOATING SOLAR POWER PLANT AS A SOLUTION OF LIMITED AREA



GEOPETRA
GEOLOGY OF PETROLEUM MAGMADIPA

Profile

Muhamad Yudistira
Rahayu

Teknik Perminyakan
2015



Rolandi Kurniawan

Teknik Perminyakan
2015



IKATAN AHLI
TEKNIK PERMINYAKAN
INDONESIA
SEKSI MAHASISWA
UNIVERSITAS DIPONEGORO

GEOPETRA
GEOLOGY OF PETROLEUM MAGMADIPA



Outline

What is floating solar cell?

Why floating solar cell?

Where we install it

Component?

Beneficial?

Conclusion?

Let's See The Update !



What is floating solar cell?

BUZZZ!
!!

It's
floatin
g!



Renewab
le
energy



IKATAN AHLI
TEKNIK PERMINYAKAN
INDONESIA
SEKSI MAHASISWA
UNIVERSITAS DIPONEGORO

GEOPETRA
GEOLOGY OF PETROLEUM MAGMADIPA



Why floating solar cell?

Limited area

Energy close you



Energy diversity

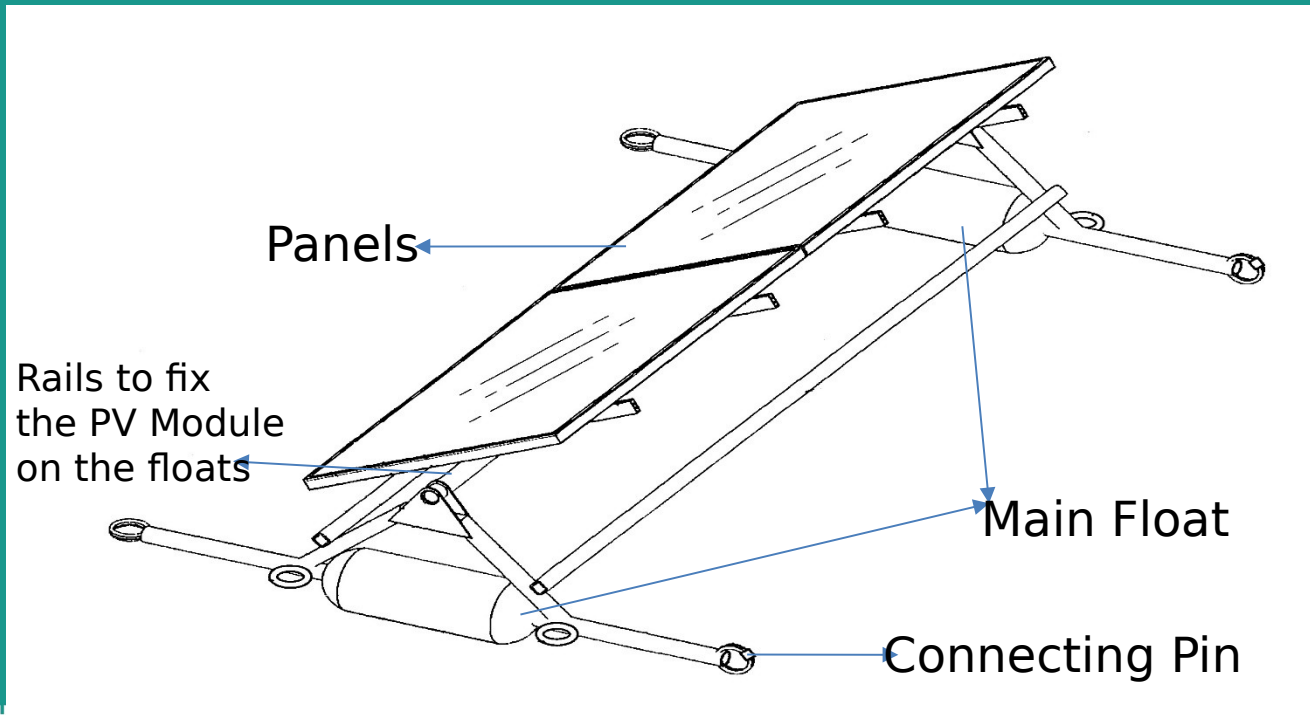


IKATAN AHLI
TEKNIK PERMINYAKAN
INDONESIA
SEKSI MAHASISWA
UNIVERSITAS DIPONEGORO

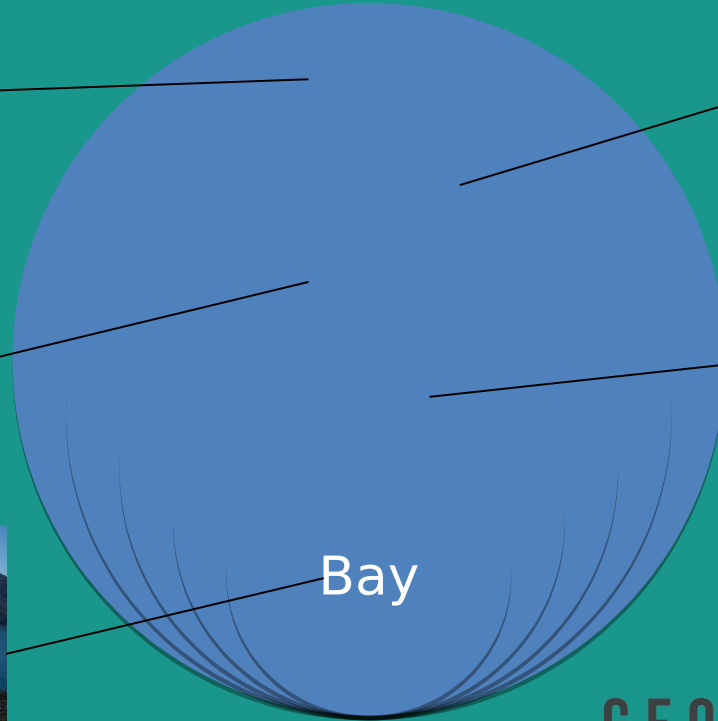
GEOPETRA
GEOLOGY OF PETROLEUM MAGMADIPA



Component?



Where we install it?



GEOPETRA
GEOLOGY OF PETROLEUM MAGMADIPA



Beneficial?

The panels are naturally cooled



algae growth is reduced

conserve
s land
space

Ultimate
renewabl
e
resource

improve
water
quality



IKATAN AHLI
TEKNIK PERMINYAKAN
INDONESIA
SEKSI MAHASISWA
UNIVERSITAS DIPONEGORO

GEOPETRA
GEOLOGY OF PETROLEUM MAGMADIPA



Conclusion

If we **don't have enough space on land**, we can look for drinking water reservoirs, quarry lakes, irrigation canals, remediation and tailing ponds, and hydro electric dam **reservoirs** as a media to **plant the solar panel** and no land area will be used, So the **land can be used for another infrastructure.**



IKATAN AHLI
TEKNIK PERMINYAKAN
INDONESIA
SEKSI MAHASISWA
UNIVERSITAS DIPONEGORO

GEOPETRA
GEOLOGY OF PETROLEUM MAGMADIPA



Daftar Pustaka

- Boxwell, Michael, “Solar Electricity Handbook”, 2015 ed. Internet Linked, Greenstream Publishing , Vol. A, pp. 1-28, January 2015
- C. Hark sun, “A Study on Development of Syntactic Foam(I)”, The Korean Society of Ocean Engineers, (1992).
- Floating solar - a crazy big idea?, <http://bcsea.org/>
- Floating solar systems provide power, environmental benefits, <http://waterworld.com/>
- Haman Photovoltaic Power Plant, <http://haman-solar.iptime.org/> .
- K-water, Groundwork research for Commercialization of Floated Photovoltaic System, (2011).
- M. Abdolzadeh and M. Ameri, “Improving the effectiveness of a photovoltaic water pumping system by spraying water over the front of photovoltaic cells”, Proceedings of ISES World Congress, (2007).
- Sharma, Paritosh, Bharat Muni, Debojyoti Sen, (2015) “Design Parameters Of 10kw Floating Solar Power Plant”, Vol. 2, International Advanced Research Journal in Science, Engineering and Technology (IARJSET), DOI 10.17148/IARJSET
- Solar turbine power stations with floating solar chimney of Prof. Christos D. Papageorgiou School of Electrical & Computer Engineering N.T.U.A. Electrical Machines Laboratory [2004] and [2005]
- World's biggest floating solar farm powers up outside London, <http://theguardian.com/>
- Y. K. Choi, N. H. Lee and K. J. Kim, “Empirical Research on the efficiency of Floating PV systems compared with Overland PV Systems”, CES-CUBE 2013, Guam, USA, (2013) July 19.



THANK YOU

**Q&A
TIME!**

