



BUILDING DROPS

A Perfect Solution in Every Drop

Certificate of Authorization: 29578

127 W. Fairbanks Ave.
Suite 438
Winter Park, FL 32789
407.644.6957 PH
407.644.2366 FX
contact@buildingdrops.com

Product Evaluation Report *of*

Shwinco of Alabama, LLC.
“Series 3050 Awning Windows”

for
Florida Product Approval
FL

Report No. 2050

Florida Building Code 2010
Per Rule 9N-3

Method: 1 – A (Certificate Method)
Category: Window
Sub – Category: Awning

Product: Series 3050 Awning Windows
Material: Vinyl/PVC
Product Dimensions: Max. 162” x 36” (Triple)
Max. 54” x 36” (Single)

Prepared For:
Shwinco of Alabama

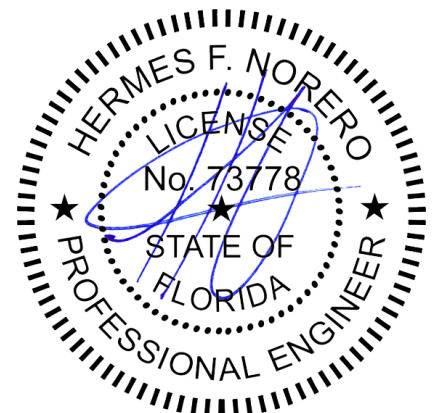
171 Pemco Drive
Dothan, AL 36303

Prepared by:
Hermes F. Norero, P.E.
Florida Professional Engineer # 73778

Date: 05/09/12

Contents:

Evaluation Report Pages 1 – 4
Installation Details Page 5



Hermes F. Norero, P.E.
Florida No. 73778



BUILDING DROPS

A Perfect Solution in Every Drop

Certificate of Authorization: 29578

FL#:

Date: 05/09/12

Report No: 2050

Manufacturer:	Shwinco of Alabama, LLC.
Product Category:	Window
Product Sub-Category:	Awning
Compliance Method:	State Product Approval Rule 9N-3.005 (1)(a)
Product Name:	Series 3050 Awning Windows Impact Rated Max. 162" x 36" (Triple) Max. 54" x 36" (Single)

Scope: This is a Product Evaluation Report issued by Hermes F. Norero, P.E. (FL # 73778) for **Shwinco of Alabama** based on Rule Chapter No. 9N-3.005, Method 1a of the State of Florida Product Approval, Department of Community Affairs - Florida Building Commission.

Hermes F. Norero, P.E. does not have nor will acquire financial interest in the company manufacturing or distributing the product or in any other entity involved in the approval process of the product named herein.

This product has been evaluated for use in locations adhering to the 2010 Florida Building Code.

See Drawing No. **SWD036**, signed and sealed by Hermes F. Norero, P.E. (FL # 73778) for specific use parameters.

Limits of Use:

1. This product has been evaluated and is in compliance with the 2010 Florida Building Code, excluding the "High Velocity Hurricane Zone" (HVHZ).
2. Product anchors shall be as listed and spaced as shown on details. Anchor embedment into substrate material shall be beyond wall dressing or stucco.
3. For Muller units, when used in areas requiring wind borne debris protection this product complies with Section 1609.1.2 of the 2010 Florida Building Code and does not require an impact resistant covering in areas determined to be Wind Zone 3 or less.
4. For Single (Non-Muller) units, when used in areas requiring wind borne debris protection this product complies with Section 1609.1.2 of the 2010 Florida Building Code and does not require an impact resistant covering in areas determined to be Wind Zone 4 or less.
5. Site conditions that deviate from the details of drawing **SWD036** require further engineering analysis by a licensed engineer or registered architect.
6. See drawing **SWD036** for size and design pressure limitations.



BUILDING DROPS

A Perfect Solution in Every Drop

Certificate of Authorization: 29578

FL#:

Date: 05/09/12

Report No: 2050

Quality Assurance: The manufacturer has demonstrated compliance of window products in Accordance with the Florida Building Code and Rule 9N-3 for manufacturing under a quality assurance program audited by an approved quality assurance entity through **National Accreditation and Management Institute** (FBC Organization #: QUA 1789)

Performance Standards: The product described herein has been tested & impacted per:

- AAMA/NWWDA 101/I.S.2-97
- ASTM E 1886-02
- ASTM E 1996-03
- ASTM E283-04
- ASTM E330-02
- ASTM E331-00

Referenced Data:

1. Product Testing
National Certified Testing Laboratories, Inc.
(FBC Organization #: TST1589)
Report #: _____ , Report Date:
NCTL-210-3006-1 07/12/2004
NCTL-210-3006-5 07/28/2004
2. Product Certification Agency
National Accreditation and Management Institute
(FBC Organization #: CER 1773)



BUILDING DROPS

A Perfect Solution in Every Drop

Certificate of Authorization: 29578

FL#:

Date: 05/09/12

Report No: 2050

Installation: 1. Approved anchor types and substrates are as follows:

- A. For two by (2X) wood frame substrate, use **#10 pan head wood screws** of sufficient length to achieve minimum embedment of 1.5" into wood framing
- B. For concrete or masonry substrate where one by (1X), non-structural, wood bucking is employed, or is directly fastened to concrete, use **3/16" diameter ITW Tapcon** type concrete screw anchors of sufficient length to achieve minimum embedment of 1.25" into concrete or masonry.
- C. For steel stud framed substrates, use **#10 Self-Drilling Screws** of sufficient length to achieve 3 threads minimum penetration beyond steel structure.

Refer to Installation Instructions (**SWD036**) for more details of the installation requirements and anchor layout.

Design Pressure: +/- 65 PSF

Hermes F. Norero, P.E.

Florida No. 73778

Page 4 of 5

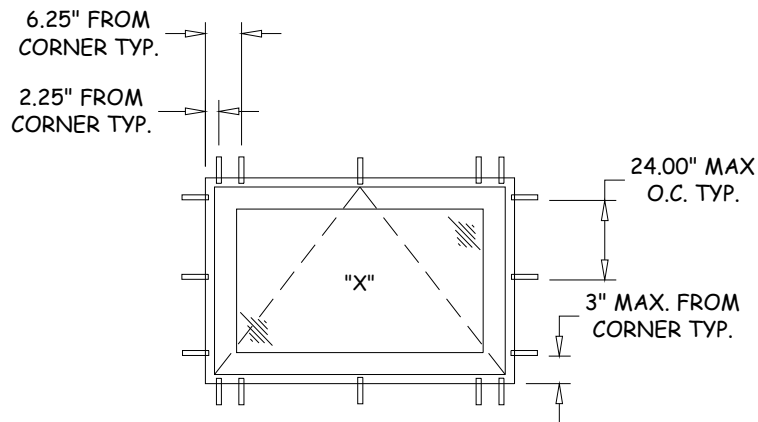


BUILDING DROPS

A Perfect Solution in Every Drop
Certificate of Authorization: 29578

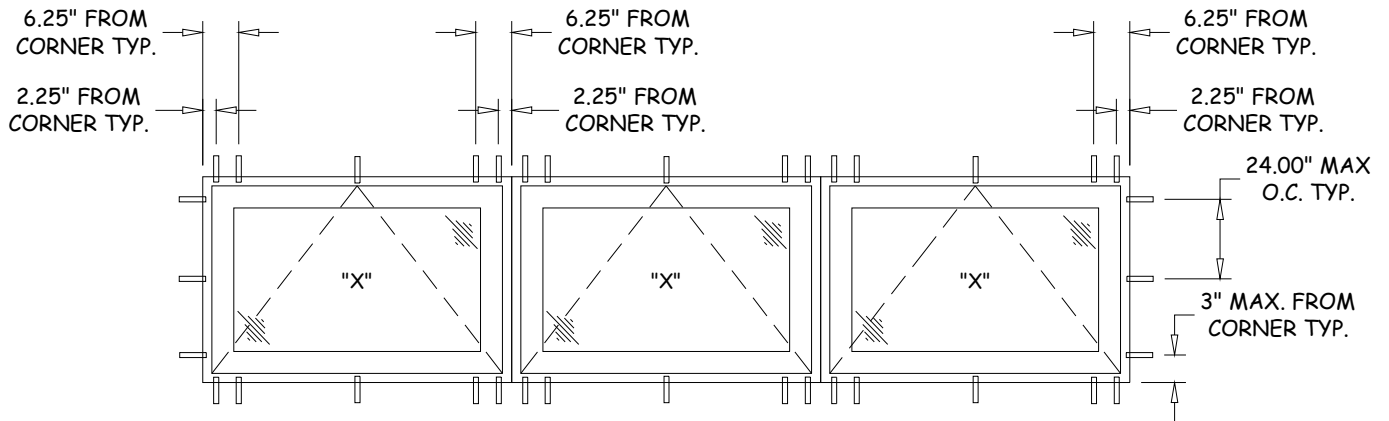
FL#: _____
Date: 05/09/12
Report No: 2050

Installation Details Shwinco of Alabama, LLC. "Series 3050 Awning Windows"



ANCHOR LAYOUT

X



ANCHOR LAYOUT

XXX