



Flygt 3102

Table of Contents

Introduction.....	3
Specially approved products.....	3
Product Description.....	4
The data plate.....	4
Approvals.....	5
Product denomination.....	6
Drive Unit.....	8
Standard and explosion-proof.....	8
3102.090/095/170/181/185/890.....	9
3102.800/810/820/830.....	14
3102.160/190/760/770.....	18
3102.900/910/960/970.....	24
Hydraulic Unit.....	29
C_ MT.....	29
DP.....	30
F_ LT.....	32
M_ LT/HT.....	33
N_ LT.....	34
N_ LT.....	35
N_ MT.....	36
N_ SH.....	37
3102.090/181/800/810.....	38
3102.095/185/820/830.....	40
3102.160/190/900/910.....	42
3102.760/770/960/970.....	44
3102.170/890.....	44
Installation Components.....	46
CP/NP.....	46
CS/NS.....	47
CT/NT.....	48
CZ/NZ.....	49
DP.....	50
FP.....	52
FS.....	53
LL/NL.....	54
MF.....	55
MP.....	56
3102.090/181/800/810.....	57
3102.095/185/820/830.....	59
3102.160/190/900/910.....	62
3102.760/770/960/970.....	64
3102.170/890.....	65
Service Parts.....	66
3102.090/181/800/810.....	66
3102.095/185/820/830.....	66

3102.160/190/900/910.....	66
3102.760/770/960/970.....	67
3102.170/890.....	67

Introduction

Purpose of this manual

The purpose of this manual is to provide necessary information on spare parts and accessories order.

Disclaimer

Always use genuine Flygt parts. The use of other spare parts or accessories can invalidate any claims for warranty or compensation. Xylem does not take any responsibility for damages that are caused by the use of non-original parts. For more information, contact your local sales and service representative.

Data for ordering spare parts

The following information is needed for spare part orders:

- Serial number of the product
- Part number
- Quantity of bulk material, see * in tables

Specially approved products

Qualification of personnel

Only Xylem or Xylem-authorized service personnel may undertake repair work on Ex-approved products.

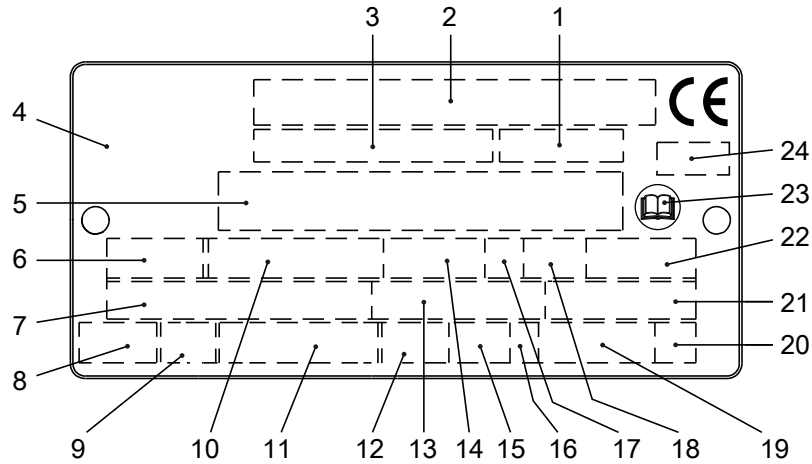
Dimensional accuracy inspection

Spare parts marked with (Ex) after the part number are subject to dimensional accuracy inspection.

Product Description

The data plate

The data plate is a metal label that is located on the main body of the products. The data plate lists key product specifications. Specially approved products also have an approval plate.



1. Curve code or Propeller code
2. Serial number
3. Product number
4. Country of origin
5. Additional information
6. Phase; type of current; frequency
7. Rated voltage
8. Thermal protection
9. Thermal class
10. Rated shaft power
11. International standard
12. Degree of protection
13. Rated current
14. Rated speed
15. Maximum submergence
16. Direction of rotation: L=left, R=right
17. Duty class
18. Duty factor
19. Product weight
20. Locked rotor code letter
21. Power factor
22. Maximum ambient temperature
23. Read installation manual
24. Notified body, only for EN-approved Ex products

Figure 1: The data plate

WIS006257A

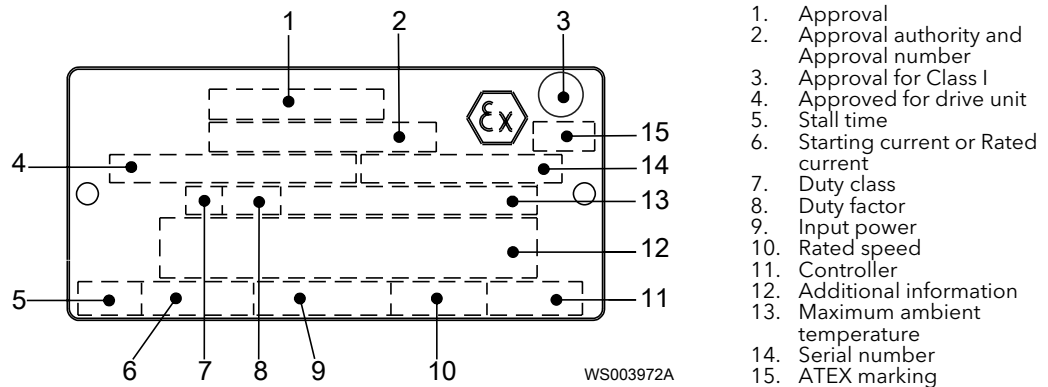
Approvals

Product approvals for hazardous locations

Pump	Approval
<ul style="list-style-type: none"> • 3102.090 • 3102.095 • 3102.190 • 3102.770 • 3102.810 • 3102.830 • 3102.890 • 3102.910 • 3102.970 	European Norm (EN) <ul style="list-style-type: none"> • ATEX Directive • EN 60079-0:2009, EN 60079-1:2007, EN 13463-1:2009, EN 13463-5:2011 • Ex II 2 G c Ex d IIB T4 Gb
	EN approval for cable entry: <ul style="list-style-type: none"> • Certificate number: INERIS 02ATEX9008 U • Ex II 2 G Ex d IIC Gb or I M2 Ex d I Mb
	IEC <ul style="list-style-type: none"> • IECEx scheme • IEC 60079-0, IEC 60079-1 • Ex d IIB T4
	FM (FM Approvals) <ul style="list-style-type: none"> • Explosionproof for use in Class I, Div. 1, Group C and D • Dust ignition proof for use in Class II, Div. 1, Group E, F and G • Suitable for use in Class III, Div. 1, Hazardous Locations

EN approval plate

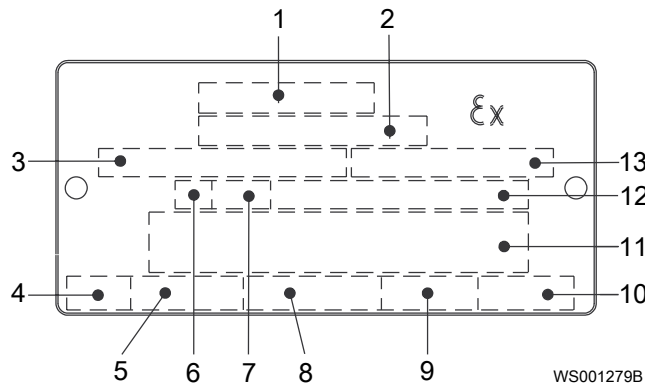
This illustration describes the EN approval plate and the information that is contained in its fields.



IEC approval plate

This illustration describes the IEC approval plate and the information that is contained in its fields.

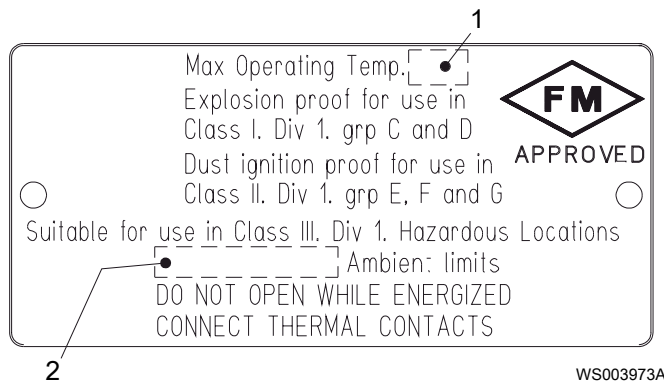
International Norm; not for EU member countries.



1. Approval
2. Approval authority and Approval number
3. Approved for drive unit
4. Stall time
5. Starting current or Rated current
6. Duty class
7. Duty factor
8. Input power
9. Rated speed
10. Controller
11. Additional information
12. Maximum ambient temperature
13. Serial number

FM approval plate

This illustration describes the FM approval plate and the information that is contained in its fields.



1. Temperature class
2. Maximum ambient temperature

Product denomination

Reading instruction

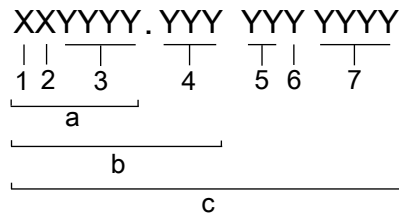
In this section, code characters are illustrated accordingly:

X = letter

Y = digit

The different types of codes are marked up with a, b and c. Code parameters are marked up with numbers.

Codes and parameters



WS006265B

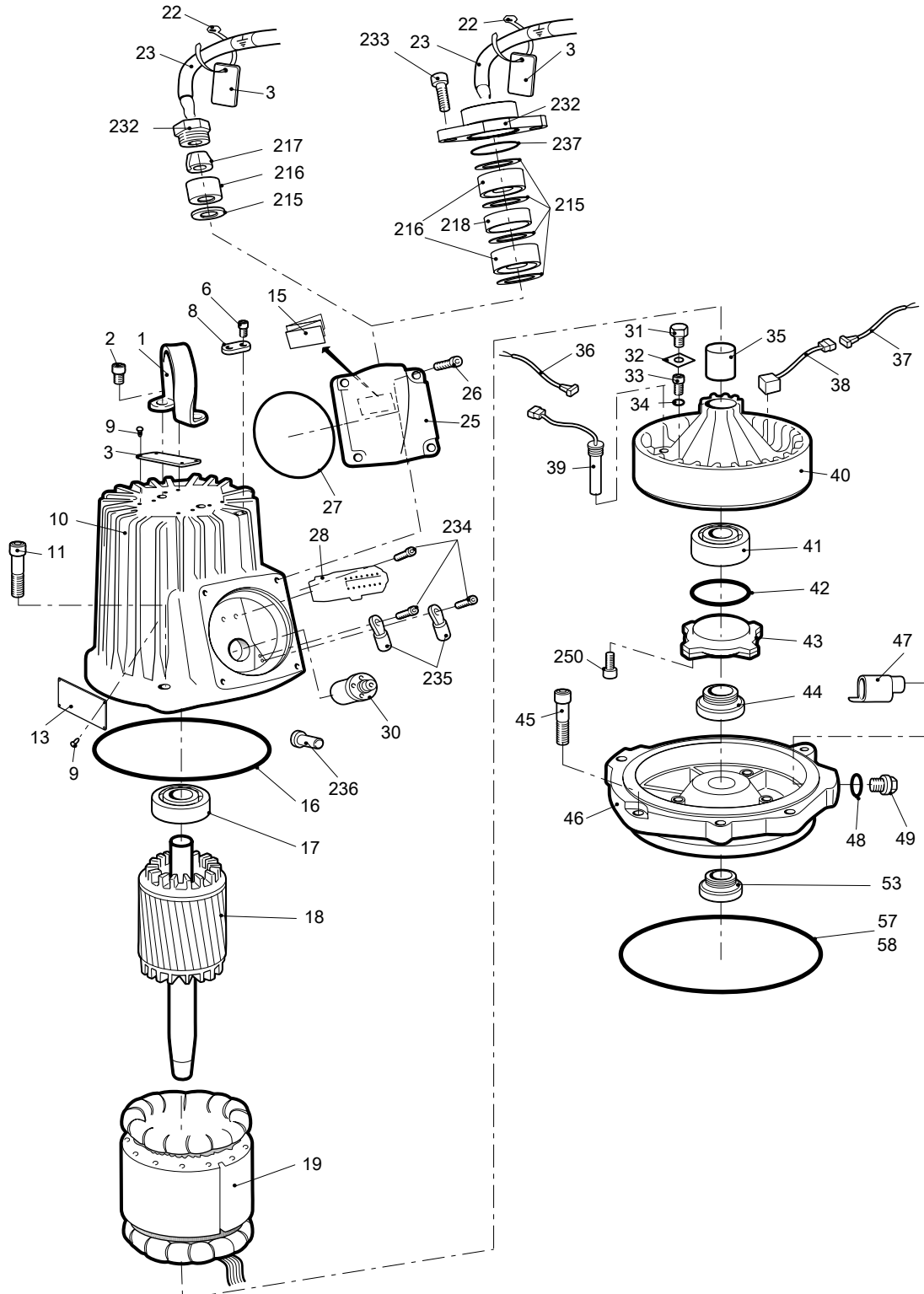
Type of Callout	Number	Indication
Type of code	a	Sales denomination
	b	Product code
	c	Serial number

Type of Callout	Number	Indication
Parameter	1	Hydraulic end
	2	Type of installation
	3	Sales code
	4	Version
	5	Production year
	6	Production cycle
	7	Running number

Drive Unit

Standard and explosion-proof

3102



31581B

3102.090/095/170/181/185/890

Pos. No	Part. No	Type	Denomination	Qty/Version						
				090	095	170	181	185	890	
1	477 11 01		Lifting handle	1	1	1	1	1	1	
2	83 03 21		Hex.socket hd screw M10X20-A4-70	2	2	2	2	2	2	
3	630 68 00		Data plate USE 6306801 AS SPARE PART	2	2	2	2	2	2	
6	83 02 58		Hex.socket hd screw M5X12-A4-70	2	2				2	
8	279 29 00		Earthing plate	1	1				1	
9	82 20 88		Drive screw 4X5-A2/A4	6	6	6	6	6	6	
9	82 20 88		Drive screw 4X5-A2/A4				2	2		
10	439 31 03	(Ex)	Stator housing	1	1				1	
10	439 31 00		Stator housing			1	1	1		
11	83 03 51		Hex.socket hd screw M12X55-A4-70	3	3	3	3	3	3	
13	718 05 00		Sticker CUT HAZARD	1			1			
13	630 76 00		Plate HOT WATER PRODUCT				1	1		
14	630 69 00		Certificate plate EN	2	2				2	
14	630 69 01	(Ex)	Certificate plate IECEX	2	2				2	
14	630 70 00		Certificate plate FM	2	2				2	
15	772 17 00		Connection plate	1	1	1	1	1	1	
16	82 74 93		O-ring 199.3X5.7 NBR	1	1	1			1	
16	82 74 93		O-ring 199.3X5.7 NBR				1	1		
16	82 75 20		O-ring 199.3X5.7 FPM				1	1		
17	83 33 14		Ball bearing 25X62X17	1	1	1	1	1	1	
18	444 75 03	(Ex)	Shaft unit	18-11-4	1	1				
18	444 76 06		Shaft unit	18-10-2	1	1			1	
18	439 38 07		Shaft unit	18-10-2			1	1	1	
18	439 38 08		Shaft unit	18-10-2			1			
18	439 35 07		Shaft unit	18-11-4				1	1	
18	444 76 07		Shaft unit	18-10-2					1	
19	310 11 01		Stator 18-11-4a	60 Hz 4-poles 440V-460V YSER 220V-230V Y// P1=4,30KW 60 Hz 4-poles 440V-460V YSER 220V-230V Y// P2=3,70kW/5hp 1-phase 60 Hz 4-poles 220V-240V P2=2,90kW/3,90hp	1	1		1	1	
19	310 11 66	(Ex)	Stator 18-11-4a	50 Hz 4-poles 190V-200V D P2=3,10kW 60 Hz 4-poles 200V-230V D 380V Y Max P1=4,40KW 50 Hz 4-poles 190V-200V D P1=3,70KW 60 Hz 4-poles 200V-230V D 380V Y P2=3,70kW/5hp	1	1		1	1	

Pos. No	Part. No	Type	Denomination	Qty/Version					
				090	095	170	181	185	890
19	310 11 69	(Ex)	Stator 18-11-4a 60 Hz 4-poles 380V D P1=4,40KW 60 Hz 4-poles 380V D P2=3,70kW/5hp	1	1		1	1	
19	310 11 68	(Ex)	Stator 18-11-4a 50 Hz 4-poles 346V-350V Y 200V-208V D P2=3,10kW 60 Hz 4-poles 230V-240V D 400V Y Max P1=4,40KW 50 Hz 4-poles 346V-350V Y 200V-208V D P1=3,70KW 60 Hz 4-poles 230V-240V D 400V Y P2=3,70kW/5hp	1	1		1	1	
19	310 11 62	(Ex)	Stator 18-11-4a 50 Hz 4-poles 380V-400V Y 220V-230V D P2=3,10kW 60 Hz 4-poles 440V-460V Y 260V D P1=4,30KW 50 Hz 4-poles 380V-400V Y 220V-230V D P1=3,70KW 60 Hz 4-poles 440V-460V Y 260V D P2=3,70kW/5hp	1	1		1	1	
19	310 11 61	(Ex)	Stator 18-11-4a 50 Hz 4-poles 660V-690V Y 380V-400V D P2=3,10kW 60 Hz 4-poles 400V-460V D Max P1=4,40KW 50 Hz 4-poles 660V-690V Y 380V-400V D P1=3,70KW 60 Hz 4-poles 400V-460V D P2=3,70kW/5hp	1	1		1	1	
19	310 11 67	(Ex)	Stator 18-11-4a 50 Hz 4-poles 400V-440V D P2=3,10kW 60 Hz 4-poles 480V D P1=4,30KW 50 Hz 4-poles 400V-440V D P1=3,70KW 60 Hz 4-poles 480V D P2=3,70kW/5hp	1	1		1	1	
19	310 11 63	(Ex)	Stator 18-11-4a 60 Hz 4-poles 575V-600V D P1=4,40KW 60 Hz 4-poles 575V-600V D P2=3,70kW/5hp 50 Hz 4-poles 500V D P2=3,10kW 50 Hz 4-poles 500V D P1=3,70KW	1	1		1	1	
19	310 11 63	(Ex)	Stator 18-11-4a 60 Hz 4-poles 575V-600V D P1=4,40KW 60 Hz 4-poles 575V-600V D P2=3,70kW/5hp 50 Hz 4-poles 500V D P2=3,10kW 50 Hz 4-poles 500V D P1=3,70KW	1			1		

Pos. No	Part. No	Type	Denomination	Qty/Version					
				090	095	170	181	185	890
19	344 86 12		Stator 18-10-2a 60 Hz 2-poles 440V-460V YSER 220V-230V Y// P2=3,40kW/ 4,60hp 60 Hz 2-poles 440V-460V YSER 220V-230V Y// P2=4,80kW/ 6,50hp	1	1	1	1	1	1
19	344 86 68		Stator 18-10-2a 50 Hz 2-poles 190V-200V D P2=4,40kW 60 Hz 2-poles 200V-220V D P2=4,50kW/6hp	1	1	1	1	1	1
19	344 86 66		Stator 18-10-2a 60 Hz 2-poles 220V-230V D 380V Y P2=4,80kW/6,50hp	1	1	1	1	1	1
19	344 86 62		Stator 18-10-2a 50 Hz 2-poles 380V-400V Y 220V-230V D P2=4,20kW 60 Hz 2-poles 440V-460V Y 260V D P2=4,80kW/6,50hp	1	1	1	1	1	1
19	344 86 61		Stator 18-10-2a 50 Hz 2-poles 660V-690V Y 380V-400V D P2=4,40kW 60 Hz 2-poles 440V-460V D P2=4,50kW/6hp 50 Hz 2-poles 400V D P2=4,40kW 60 Hz 2-poles 400V D P2=4,50kW/6hp	1	1	1	1	1	1
19	344 86 61		Stator 18-10-2a 50 Hz 2-poles 660V-690V Y 380V-400V D P2=4,40kW 60 Hz 2-poles 440V-460V D P2=4,50kW/6hp 50 Hz 2-poles 400V D P2=4,40kW 60 Hz 2-poles 400V D P2=4,50kW/6hp	1	1	1	1	1	1
19	344 86 67		Stator 18-10-2a 50 Hz 2-poles 400V-440V D P2=4,40kW 60 Hz 2-poles 480V D P2=4,50kW/6hp	1	1	1	1	1	1
19	344 86 63		Stator 18-10-2a 60 Hz 2-poles 575V-600V D P2=4,50kW/6hp 50 Hz 2-poles 500V D P2=4,40kW 60 Hz 2-poles 575V D P2=4,50kW/6hp 50 Hz 2-poles 550V D P2=4,40kW	1	1	1	1	1	1
19	344 86 63		Stator 18-10-2a 60 Hz 2-poles 575V-600V D P2=4,50kW/6hp 50 Hz 2-poles 500V D P2=4,40kW 60 Hz 2-poles 575V D P2=4,50kW/6hp 50 Hz 2-poles 550V D P2=4,40kW	1	1	1	1	1	1

Pos. No	Part. No	Type	Denomination	Qty/Version					
				090	095	170	181	185	890
19	344 86 12		Stator 18-10-2a 60 Hz 2-poles 440V-460V YSER 220V-230V Y// P2=3,40kW/ 4,60hp 60 Hz 2-poles 440V-460V YSER 220V-230V Y// P2=4,80kW/ 6,50hp	1	1		1	1	
19	522 72 72		Stator 18-10-2g 1-phase 60 Hz 2-poles 220V-230V P2=4kW/5,40hp			1			1
22	83 45 59		Cable tie 200X2.4 PA 6/6 -55+105	1	1	1	1	1	1
23	94 20 59		Motor cable subcab SUBCAB 4G2,5+2x1,5	*	*	*	*	*	*
23	94 20 82		Motor cable subcab SUBCAB 7G2,5+2x1,5	*	*	*	*	*	*
23	94 20 60		Motor cable subcab SUBCAB 4G4+2x1,5	*	*	*	*	*	*
23	94 19 90		Motor cable subcab SUBCAB S3x2,5+3x2,5/3+S(4x0,5)	*	*		*	*	
23	94 20 42		Motor cable subcab SUBCAB 4G2,5			*	*	*	
23	94 20 56		Motor cable subcab SUBCAB 4G6+2x1,5			*	*	*	
23	94 17 23		Motor cable Screened 3x2,5				*	*	
23	94 17 24		Motor cable Screened 6x2,5+2x1,5				*	*	
25	443 50 03	(Ex)	Entrance cover	1	1				1
25	443 51 00		Entrance cover			1	1	1	
25	443 50 00		Entrance cover			1	1	1	
26	83 04 45		Hex.socket hd screw M8X35- A4-80	4	4	4	4	4	4
27	82 74 78		O-ring 124,5X3,0-NBR	1	1	1	1	1	1
27	82 95 60		O-ring 123X3 FPM				1	1	
30	734 59 00		El.lead through unit	1	1	1	1	1	1
31	439 44 01	(Ex)	Screw M14X1.25	3	3				3
32	596 07 00		Square washer	3	3				3
33	82 17 64		Cutting screw TAPTITE-M6X20	3	3	3	3	3	3
34	82 50 60		Sealing washer DUBO NR 301	3	3	3	3	3	3
35	439 42 01		Sleeve			1	1	1	
35	439 42 00		Sleeve				1	1	
36	504 78 06		Cable unit			1	1	1	
37	504 78 07		Cable unit	1	1	1	1	1	1
38	518 89 02		Leakage detect.unit (FLS)	1	1	1	1	1	1
39	505 12 00		Leakage detect.unit (CLS30)			1	1	1	
40	439 33 11	(Ex)	Bearing holder EX.VERSION	1	1				1
40	439 33 10		Bearing holder	1	1	1	1	1	1
40	439 33 12		Bearing holder STANDARD VERSION			1	1	1	
41	83 30 15		Ball bearing 25X62X25.4	1	1	1	1	1	1
42	82 74 65		O-ring 59.5X3 NBR	1	1	1	1	1	1
42	82 80 90		O-ring 59.5X3 FPM				1	1	
43	605 20 00		Bearing cover	1	1	1	1	1	1
44	720 54 30		Mechanical seal	1	1	1	1	1	1
44	720 54 31		Mechanical seal	1	1	1	1	1	1

Pos. No	Part. No	Type	Denomination	Qty/Version					
				090	095	170	181	185	890
45	83 04 53		Hex.socket hd screw M12X45-A4-80	4	4	4	4	4	4
45	83 03 51		Hex.socket hd screw M12X55-A4-70	4			4		
46	439 32 02		Oil housing bottom	1	1	1	1	1	1
47	443 49 00		Sleeve	1	1	1	1	1	1
48	82 73 90		O-ring 19.2X3 NBR	2	2	2	2	2	2
48	82 72 95		O-ring 19.2X3 FPM				2	2	
49	428 22 17		Inspection screw	2	2	2	2	2	2
53	720 54 02		Mechanical seal WCCR/AI203	1		1	1		1
53	720 54 01		Mechanical seal WCCR/WCCR	1	1	1	1	1	1
57	82 74 95		O-ring 219.3X5.7 NBR	1	1		1	1	
57	82 71 35		O-ring 174.6X6.99 FPM	1			1		
116	416 13 00		Plate					1	
162	93 00 77		Shrink hose ID=6.4 MM	*	*		*	*	
215	82 40 81		Plain washer (30)-32 MM	4	4				4
215	82 40 82		Plain washer (32)-34 MM	4	4	4	4	4	4
215	82 40 61		Plain washer (10)-22 MM			1	1	1	
216	84 18 00		Seal sleeve (14)-17 MM	2	2				2
216	84 18 01		Seal sleeve (17)-20 MM	2	2				2
216	84 18 02		Seal sleeve (20)-23 MM	2	2	2	2	2	2
216	84 18 03		Seal sleeve (23)-26 MM	2	2				2
216	84 18 04		Seal sleeve (26)-29 MM	2	2	2	2	2	2
216	84 18 05		Seal sleeve (29)-32 MM	2	2	2	2	2	2
216	84 17 91		Seal sleeve (12)-14 MM			1	1	1	
216	84 17 92		Seal sleeve (14)-16 MM			1	1	1	
216	84 17 93		Seal sleeve (16)-18 MM			1	1	1	
216	84 17 94		Seal sleeve (18)-20 MM			1	1	1	
216	84 18 03		Seal sleeve (23)-26 MM			2	2	2	
216	84 17 90		Seal sleeve (10)-12 MM				1	1	
217	678 58 14		Cable clip (12)-14 MM			1	1	1	
217	678 58 16		Cable clip (14)-16 MM			1	1	1	
217	678 58 18		Cable clip (16)-18 MM			1	1	1	
217	678 58 20		Cable clip (18)-20 MM			1	1	1	
217	678 58 12		Cable clip (10)-12 MM				1	1	
218	597 98 02		Sleeve	1	1				1
218	597 98 02		Sleeve	1	1	1	1	1	1
229	82 70 85		Cap 5X10 MM PVC	1	1		1	1	
230	83 42 62		Closed-end splice 0.33-0.82(AWG 22-18) L=18	2	2		2	2	
230	83 44 24		Closed-end splice 3-6(AWG 12-10) L=18			1			
230	83 44 23		Closed-end splice 4.0-9.0 (AWG 8) L=28			2			2
230	83 44 23		Closed-end splice 4.0-9.0 (AWG 8) L=28			2	2	2	

Pos. No	Part. No	Type	Denomination	Qty/Version					
				090	095	170	181	185	890
231	94 03 33		Shrink hose ID=3.2 MM	*	*		*	*	
232	642 17 01	(Ex)	Entrance flange	1	1	1	1	1	1
232	397 81 00		Gland screw FOR CABLE ENTRY			1	1	1	
233	83 03 48		Hex.socket hd screw M12X40-A4-70	2	2	2	2	2	2
234	82 17 61		Cutting screw TAPTITE-M6X12	3	3	3	3	3	3
234	82 17 61		Cutting screw TAPTITE-M6X12	1	1		1	1	
235	83 43 58		Cable lug INSUL.UL/CSA 1.04-2.6 MM2	1	1	1	1	1	1
235	83 42 96		Cable lug 2.5-6 MM2;M6	1	1	1	1	1	1
235	83 43 58		Cable lug INSUL.UL/CSA 1.04-2.6 MM2	1	1		1	1	
235	83 43 62		Cable lug UL/CSA 0.5-1.65 MM2	1	1		1	1	
235	83 43 58		Cable lug INSUL.UL/CSA 1.04-2.6 MM2			1	1	1	
235	83 42 96		Cable lug 2.5-6 MM2;M6			1			1
236	83 42 65		Terminal block	2	2	2	2	2	2
236	83 42 65		Terminal block	3	3	3	3	3	3
236	83 44 24		Closed-end splice 3-6(AWG 12-10) L=18	1					
236	83 42 65		Terminal block			1	1	1	
236	83 42 67		Terminal block			2	2	2	
237	82 74 63		O-ring 49.5X3 NBR	1	1	1	1	1	1
238	83 53 21		Terminal clamp	6	6	6			6
238	83 53 21		Terminal clamp				6	6	
238	83 53 30		Terminal clamp				6	6	
239	83 53 22		End plate APPA - 11796	1	1	1	1	1	1
240	83 53 31		End support 35X15	2	2	2	2	2	2
241	443 68 00		Rail 35X15	1	1	1	1	1	1
242	722 00 00		Marking plate				2	2	
243	471 77 01		Marking strip	2	2	2	2	2	2
244	427 13 00		Marking tape	1	1	1	1	1	1
250	82 17 64		Cutting screw TAPTITE-M6X20	4	4	4	4	4	4
912	82 73 90		O-ring 19.2X3 NBR	4	4	4			4
912	82 74 78		O-ring 124,5X3,0-NBR	1	1	1			1
912	82 73 90		O-ring 19.2X3 NBR				4	4	
912	82 74 78		O-ring 124,5X3,0-NBR				1	1	
912	82 72 95		O-ring 19.2X3 FPM				4	4	
912	82 95 60		O-ring 123X3 FPM				1	1	

3102.800/810/820/830

Pos. No	Part. No	Type	Denomination	Qty/Version			
				800	810	820	830
1	477 11 01		Lifting handle	1	1	1	1
2	83 03 21		Hex.socket hd screw M10X20-A4-70	2	2	2	2

Pos. No	Part. No	Type	Denomination	Qty/Version				
				800	810	820	830	
3	630 68 00		Data plate USE 6306801 AS SPARE PART	2	2	2	2	
6	83 02 58		Hex.socket hd screw M5X12-A4-70		2		2	
8	279 29 00		Earthing plate		1		1	
9	82 20 88		Drive screw 4X5-A2/A4	6	6	6	6	
10	439 31 00		Stator housing	1		1		
10	439 31 03	(Ex)	Stator housing		1		1	
11	83 03 51		Hex.socket hd screw M12X55-A4-70	3	3	3	3	
14	630 69 00		Certificate plate EN		2		2	
14	630 69 01	(Ex)	Certificate plate IECEX		2		2	
14	630 70 00		Certificate plate FM		2		2	
15	772 17 00		Connection plate	1	1	1	1	
16	82 74 93		O-ring 199.3X5.7 NBR	1		1		
16	82 74 93		O-ring 199.3X5.7 NBR		1		1	
17	83 33 14		Ball bearing 25X62X17	1	1	1	1	
18	751 74 00		Shaft unit	18-11-4		1		
18	751 70 00		Shaft unit	18-10-2		1		
18	751 77 00	(Ex)	Shaft unit	18-11-4		1	1	
18	751 73 00	(Ex)	Shaft unit	18-10-2		1	1	
19	310 11 01		Stator 18-11-4a	60 Hz 4-poles 220V-230V Y// 440V-460V YSER P2=4,10kW/ 5,50hp	1	1	1	1
19	310 11 66	(Ex)	Stator 18-11-4a	60 Hz 4-poles 220V-230V D 380V Y P2=4,10kW/5,50hp	1	1	1	1
19	310 11 69	(Ex)	Stator 18-11-4a	60 Hz 4-poles 380V D P2=4,10kW/ 5,50hp	1	1	1	1
19	310 11 68	(Ex)	Stator 18-11-4a	50 Hz 4-poles 200V-208V D P2=3,50kW 60 Hz 4-poles 240V D P2=4,10kW/ 5,50hp	1	1	1	1
19	310 11 62	(Ex)	Stator 18-11-4a	50 Hz 4-poles 220V-230V D 380V-400V Y P2=3,50kW 60 Hz 4-poles 260V D 460V Y P2=4,10kW/5,50hp	1	1	1	1
19	310 11 61	(Ex)	Stator 18-11-4a	50 Hz 4-poles 380V-400V D 660V-690V Y P2=3,50kW 60 Hz 4-poles 440V-480V D P2=4,10kW/5,50hp	1	1	1	1
19	310 11 67	(Ex)	Stator 18-11-4a	50 Hz 4-poles 400V-440V D P2=3,50kW	1	1	1	1
19	310 11 63	(Ex)	Stator 18-11-4a	50 Hz 4-poles 500V D P2=3,50kW 60 Hz 4-poles 575V-600V D P2=4,10kW/5,50hp	1	1	1	1
19	310 11 71	(Ex)	Stator 18-11-4a	60 Hz 4-poles 200V-208V D P2=4,10kW/5,50hp	1	1	1	1
19	344 86 70	(Ex)	Stator 18-10-2a	60 Hz 2-poles 220V-230V Y// 440V-460V YSER P2=5,40kW/ 7,20hp	1	1	1	1

Pos. No	Part. No	Type	Denomination	Qty/Version			
				800	810	820	830
19	344 86 68		Stator 18-10-2a 50 Hz 2-poles 200V D P2=4,50kW 60 Hz 2-poles 220V D 380V Y P2=5,40kW/7,20hp	1	1	1	1
19	344 86 66		Stator 18-10-2a 60 Hz 2-poles 230V D P2=5,40kW/ 7,20hp	1	1	1	1
19	344 86 62		Stator 18-10-2a 50 Hz 2-poles 220V-230V D 380V-400V Y P2=4,50kW 60 Hz 2-poles 260V D 460V-480V Y P2=5,40kW/7,20hp	1	1	1	1
19	344 86 61		Stator 18-10-2a 50 Hz 2-poles 380V D 660V-690V Y P2=4,50kW 60 Hz 2-poles 440V-460V D P2=5,40kW/7,20hp	1	1	1	1
19	344 86 71		Stator 18-10-2a 50 Hz 2-poles 400V D P2=4,50kW	1	1	1	1
19	344 86 67		Stator 18-10-2a 50 Hz 2-poles 415V-440V D P2=4,50kW	1	1	1	1
19	344 86 63		Stator 18-10-2a 50 Hz 2-poles 500V-550V D P2=4,50kW 60 Hz 2-poles 575V-600V D P2=5,40kW/7,20hp	1	1	1	1
19	344 86 69	(Ex)	Stator 18-10-2a 60 Hz 2-poles 200V-208V D P2=5,40kW/7,20hp	1	1	1	1
22	83 45 59		Cable tie 200X2.4 PA 6/6 -55+105	1	1	1	1
23	94 20 42		Motor cable subcab SUBCAB 4G2,5	*		*	
23	94 20 59		Motor cable subcab SUBCAB 4G2,5+2x1,5	*	*	*	*
23	94 20 82		Motor cable subcab SUBCAB 7G2,5+2x1,5	*	*	*	*
23	94 20 56		Motor cable subcab SUBCAB 4G6+2x1,5	*		*	
23	94 20 60		Motor cable subcab SUBCAB 4G4+2x1,5	*	*	*	*
23	94 17 23		Motor cable Screened 3x2,5	*		*	
23	94 19 90		Motor cable subcab SUBCAB S3x2,5+3x2,5/3+S(4x0,5)	*	*	*	*
23	94 17 24		Motor cable Screened 6x2,5+2x1,5	*		*	
	24,1 397 81 00		Gland screw FOR CABLE ENTRY	1		1	
	24,1 642 17 01	(Ex)	Entrance flange	1	1	1	1
	24,1 642 17 01	(Ex)	Entrance flange	1		1	
	24,1 642 17 01	(Ex)	Entrance flange		1		1
25	443 51 00		Entrance cover	1		1	
25	443 50 00		Entrance cover	1		1	
25	443 50 03	(Ex)	Entrance cover		1		1
26	83 04 45		Hex.socket hd screw M8X35-A4-80	4	4	4	4
27	82 74 78		O-ring 124,5X3,0-NBR	1		1	
27	82 74 78		O-ring 124,5X3,0-NBR		1		1
30	734 59 00		El.lead through unit	1	1	1	1
31	439 44 01	(Ex)	Screw M14X1.25		3		3
32	596 07 00		Square washer		3		3
33	82 17 64		Cutting screw TAPTITE-M6X20	3	3	3	3
34	82 50 60		Sealing washer DUBO NR 301	3	3	3	3
35	439 42 00		Sleeve	1		1	

Pos. No	Part. No	Type	Denomination	Qty/Version			
				800	810	820	830
35	439 42 01		Sleeve	1		1	
36	504 78 06		Cable unit	1		1	
37	504 78 07		Cable unit	1	1	1	1
37	504 78 07		Cable unit	1		1	
38	518 89 02		Leakage detect.unit (FLS)	1	1	1	1
38	518 89 02		Leakage detect.unit (FLS)	1		1	
39	505 12 00		Leakage detect.unit (CLS30)	1		1	
40	439 33 11	(Ex)	Bearing holder EX.VERSION		1		1
41	83 30 15		Ball bearing 25X62X25.4	1	1	1	1
42	82 74 65		O-ring 59.5X3 NBR		1		1
43	605 20 00		Bearing cover	1	1	1	1
45	83 04 53		Hex.socket hd screw M12X45-A4-80	4	4	4	4
46	439 32 02		Oil housing bottom	1	1	1	1
47	443 49 00		Sleeve	1	1	1	1
48	82 73 90		O-ring 19.2X3 NBR		2		2
49	428 22 17		Inspection screw	2	2	2	2
57	82 74 95		O-ring 219.3X5.7 NBR	1	1	1	1
162	93 00 77		Shrink hose ID=6.4 MM	*	*	*	*
215	82 40 61		Plain washer (10)-22 MM	1		1	
215	82 40 82		Plain washer (32)-34 MM	4	4	4	4
215	82 40 82		Plain washer (32)-34 MM	4		4	
215	82 40 81		Plain washer (30)-32 MM		4		4
215	82 40 82		Plain washer (32)-34 MM		4		4
216	84 17 90		Seal sleeve (10)-12 MM	1		1	
216	84 17 91		Seal sleeve (12)-14 MM	1		1	
216	84 17 92		Seal sleeve (14)-16 MM	1		1	
216	84 17 93		Seal sleeve (16)-18 MM	1		1	
216	84 17 94		Seal sleeve (18)-20 MM	1		1	
216	84 18 02		Seal sleeve (20)-23 MM	2	2	2	2
216	84 18 03		Seal sleeve (23)-26 MM	2		2	
216	84 18 04		Seal sleeve (26)-29 MM	2	2	2	2
216	84 18 05		Seal sleeve (29)-32 MM	2	2	2	2
216	84 18 00		Seal sleeve (14)-17 MM		2		2
216	84 18 01		Seal sleeve (17)-20 MM		2		2
216	84 18 03		Seal sleeve (23)-26 MM		2		2
217	678 58 12		Cable clip (10)-12 MM	1		1	
217	678 58 14		Cable clip (12)-14 MM	1		1	
217	678 58 16		Cable clip (14)-16 MM	1		1	
217	678 58 18		Cable clip (16)-18 MM	1		1	
217	678 58 20		Cable clip (18)-20 MM	1		1	
218	597 98 02		Sleeve	1	1	1	1
218	597 98 02		Sleeve	1		1	
218	597 98 02		Sleeve		1		1
229	82 70 85		Cap 5X10 MM PVC	1	1	1	1

Pos. No	Part. No	Type	Denomination	Qty/Version			
				800	810	820	830
230	83 44 23		Closed-end splice 4.0-9.0 (AWG 8) L=28	2		2	
230	83 42 62		Closed-end splice 0.33-0.82(AWG 22-18) L=18	2	2	2	2
233	83 03 48		Hex.socket hd screw M12X40-A4-70	2	2	2	2
233	83 03 48		Hex.socket hd screw M12X40-A4-70	2		2	
233	83 03 48		Hex.socket hd screw M12X40-A4-70		2		2
234	82 17 61		Cutting screw TAPTITE-M6X12	3	3	3	3
234	82 17 61		Cutting screw TAPTITE-M6X12	1	1	1	1
235	83 43 58		Cable lug INSUL.UL/CSA 1.04-2.6 MM2	1		1	
235	83 43 58		Cable lug INSUL.UL/CSA 1.04-2.6 MM2	1	1	1	1
235	83 42 96		Cable lug 2.5-6 MM2;M6	1	1	1	1
235	83 42 96		Cable lug 2.5-6 MM2;M6	1		1	
235	83 43 62		Cable lug UL/CSA 0.5-1.65 MM2	1	1	1	1
236	83 42 65		Terminal block	2	2	2	2
236	83 42 65		Terminal block	3		3	
236	83 42 65		Terminal block	3	3	3	3
236	83 42 65		Terminal block	1		1	
236	83 42 67		Terminal block	2		2	
237	82 74 63		O-ring 49.5X3 NBR	1	1	1	1
237	82 74 63		O-ring 49.5X3 NBR	1		1	
237	82 74 63		O-ring 49.5X3 NBR		1		1
238	83 53 21		Terminal clamp	6		6	
238	83 53 21		Terminal clamp		6		6
239	83 53 22		End plate APPA - 11796	1		1	
239	83 53 22		End plate APPA - 11796		1		1
240	83 53 31		End support 35X15	2	2	2	2
241	443 68 00		Rail 35X15	1	1	1	1
243	471 77 01		Marking strip	2		2	
243	471 77 01		Marking strip		2		2
244	427 13 00		Marking tape	1	1	1	1
250	82 17 64		Cutting screw TAPTITE-M6X20	4	4	4	4
912	82 73 90		O-ring 19.2X3 NBR	4		4	
912	82 74 78		O-ring 124,5X3,0-NBR	1		1	
912	82 73 90		O-ring 19.2X3 NBR		4		4
912	82 74 78		O-ring 124,5X3,0-NBR		1		1

3102.160/190/760/770

Pos. No	Part. No	Type	Denomination	Qty/Version			
				160	190	760	770
1	477 11 01		Lifting handle	1	1	1	1
2	83 03 21		Hex.socket hd screw M10X20-A4-70	2	2	2	2

Pos. No	Part. No	Type	Denomination	Qty/Version			
				160	190	760	770
3	630 68 00		Data plate USE 6306801 AS SPARE PART	2	2	2	2
6	83 02 58		Hex.socket hd screw M5X12-A4-70		2		2
8	279 29 00		Earthing plate		1		1
9	82 20 88		Drive screw 4X5-A2/A4	6	6	6	6
9	82 20 88		Drive screw 4X5-A2/A4	2		2	
10	439 31 00		Stator housing	1		1	
10	439 31 03	(Ex)	Stator housing		1		1
11	83 03 51		Hex.socket hd screw M12X55-A4-70	3	3	3	3
13	630 76 00		Plate HOT WATER PRODUCT	1		1	
14	630 69 00		Certificate plate EN		2		2
14	630 69 01	(Ex)	Certificate plate IECEX		2		2
14	630 70 00		Certificate plate FM		2		2
15	772 17 00		Connection plate	1	1	1	1
15	550 24 00		Connection plate			1	
16	82 74 93		O-ring 199.3X5.7 NBR	1		1	
16	82 75 20		O-ring 199.3X5.7 FPM	1		1	
16	82 74 93		O-ring 199.3X5.7 NBR		1		1
17	83 33 14		Ball bearing 25X62X17	1	1	1	1
18	439 35 07		Shaft unit	1		1	
18	439 38 07		Shaft unit	1			
18	444 75 03	(Ex)	Shaft unit		1		1
18	444 76 06	(Ex)	Shaft unit		1		
19	310 11 01		Stator 18-11-4a	1	1	1	1
			60 Hz 4-poles 440V-460V YSER 220V-230V Y// P1=4,30KW				
			60 Hz 4-poles 440V-460V YSER 220V-230V Y// P2=3,70kW/5hp				
			1-phase 60 Hz 4-poles 220V-240V P2=2,90kW/3,90hp				
19	310 11 66	(Ex)	Stator 18-11-4a	1	1	1	1
			50 Hz 4-poles 190V-200V D P2=3,10kW				
			60 Hz 4-poles 200V-230V D 380V Y Max P1=4,40KW				
			50 Hz 4-poles 190V-200V D P1=3,70KW				
			60 Hz 4-poles 200V-230V D 380V Y P2=3,70kW/5hp				
19	310 11 69	(Ex)	Stator 18-11-4a	1	1	1	1
			60 Hz 4-poles 380V D P1=4,40KW				
			60 Hz 4-poles 380V D P2=3,70kW/5hp				
19	310 11 68	(Ex)	Stator 18-11-4a	1	1	1	1
			50 Hz 4-poles 346V-350V Y 200V-208V D P2=3,10kW				
			60 Hz 4-poles 230V-240V D 400V Y Max P1=4,40KW				
			50 Hz 4-poles 346V-350V Y 200V-208V D P1=3,70KW				
			60 Hz 4-poles 230V-240V D 400V Y P2=3,70kW/5hp				

Pos. No	Part. No	Type	Denomination	Qty/Version			
				160	190	760	770
19	310 11 62	(Ex)	Stator 18-11-4a 50 Hz 4-poles 220V-230V D 380V-400V Y P2=3,10kW 60 Hz 4-poles 260V D 440V-460V Y P1=4,30KW 50 Hz 4-poles 220V-230V D 380V-400V Y Max P1=3,70KW 60 Hz 4-poles 260V D 440V-460V Y P2=3,70kW/5hp	1	1	1	1
19	310 11 61	(Ex)	Stator 18-11-4a 50 Hz 4-poles 660V-690V Y 380V-400V D P2=3,10kW 60 Hz 4-poles 400V-460V D Max P1=4,40KW 50 Hz 4-poles 660V-690V Y 380V-400V D P1=3,70KW 60 Hz 4-poles 400V-460V D P2=3,70kW/5hp	1	1	1	1
19	310 11 67	(Ex)	Stator 18-11-4a 50 Hz 4-poles 400V-440V D P2=3,10kW 60 Hz 4-poles 480V D P1=4,30KW 50 Hz 4-poles 400V-440V D P1=3,70KW 60 Hz 4-poles 480V D P2=3,70kW/5hp	1	1	1	1
19	310 11 63	(Ex)	Stator 18-11-4a 50 Hz 4-poles 500V D P2=3,10kW 60 Hz 4-poles 575V-600V D P1=4,40KW 50 Hz 4-poles 500V D P1=3,70KW 60 Hz 4-poles 575V-600V D P2=3,70kW/5hp 60Hz 4-poles 575V-600V D P1=4,4KW 60Hz 4-poles 575V-600V D P2=3,7kW/5hp	1	1	1	1
19	344 86 12		Stator 18-10-2a 60 Hz 2-poles 220V-230V Y// 440V-460V YSER P2=3,40kW/ 4,60hp 60 Hz 2-poles 220V-230V Y// 440V-460V YSER P2=4,80kW/ 6,50hp	1	1		
19	344 86 68		Stator 18-10-2a 50 Hz 2-poles 190V-200V D P2=4,20kW 60 Hz 2-poles 200V-220V D P2=4,80kW/6,50hp	1	1		
19	344 86 66		Stator 18-10-2a 60 Hz 2-poles 220V-230V D 380V Y P2=4,80kW/6,50hp	1	1		
19	344 86 62		Stator 18-10-2a 50 Hz 2-poles 220V-230V D 380V-400V Y P2=4,20kW 60 Hz 2-poles 260V D 440V-460V Y P2=4,80kW/6,50hp	1	1		

Pos. No	Part. No	Type	Denomination	Qty/Version			
				160	190	760	770
19	344 86 61		Stator 18-10-2a 50 Hz 2-poles 380V-400V D P2=4,20kW 60 Hz 2-poles 400V D 660V Y P2=4,80kW/6,50hp 50 Hz 2-poles 380V-400V D 660V-690V Y P2=4,20kW 60 Hz 2-poles 440V-460V D P2=4,80kW/6,50hp	1	1		
19	344 86 67		Stator 18-10-2a 50 Hz 2-poles 400V-440V D P2=4,20kW 60 Hz 2-poles 480V D P2=4,80kW/6,50hp	1	1		
19	344 86 63		Stator 18-10-2a 50 Hz 2-poles 550V D P2=4,20kW 50 Hz 2-poles 500V D P2=4,20kW 60 Hz 2-poles 575V D P2=4,80kW/6,50hp 60 Hz 2-poles 575V-600V D P2=4,80kW/6,50hp	1	1		
22	83 45 59		Cable tie 200X2.4 PA 6/6 -55+105	1	1	1	1
23	94 20 42		Motor cable subcab SUBCAB 4G2,5	*		*	
23	94 20 59		Motor cable subcab SUBCAB 4G2,5+2x1,5	*	*	*	*
23	94 20 82		Motor cable subcab SUBCAB 7G2,5+2x1,5	*	*	*	*
23	94 20 56		Motor cable subcab SUBCAB 4G6+2x1,5	*		*	
23	94 20 60		Motor cable subcab SUBCAB 4G4+2x1,5 20 - 22mm	*	*	*	*
23	94 17 23		Motor cable Screened 3x2,5	*		*	
23	94 19 90		Motor cable subcab SUBCAB S3x2,5+3x2,5/3+S(4x0,5)	*	*	*	*
23	94 17 24		Motor cable Screened 6x2,5+2x1,5	*		*	
25	443 51 00		Entrance cover	1		1	
25	443 50 00		Entrance cover	1		1	
25	443 50 03	(Ex)	Entrance cover		1		1
26	83 04 45		Hex.socket hd screw M8X35-A4-80	4	4	4	4
27	82 74 78		O-ring 124,5X3,0-NBR	1		1	
27	82 95 60		O-ring 123X3 FPM	1		1	
27	82 74 78		O-ring 124,5X3,0-NBR		1		1
30	734 59 00		El.lead through unit	1		1	
30	734 59 00		El.lead through unit		1		1
31	439 44 01	(Ex)	Screw M14X1.25		3		3
32	596 07 00		Square washer		3		3
33	82 17 64		Cutting screw TAPTITE-M6X20	3	3	3	3
34	82 50 60		Sealing washer DUBO NR 301	3	3	3	3
35	439 42 00		Sleeve	1		1	
35	439 42 01		Sleeve	1			
36	504 78 06		Cable unit	1		1	
37	504 78 07		Cable unit	1	1	1	1
37	504 78 07		Cable unit	1		1	
38	518 89 02		Leakage detect.unit (FLS)	1	1	1	1
39	505 12 00		Leakage detect.unit (CLS30)	1		1	

Pos. No	Part. No	Type	Denomination	Qty/Version			
				160	190	760	770
40	439 33 10	(Ex)	Bearing holder	1	1	1	1
40	439 33 12		Bearing holder STANDARD VERSION	1		1	
40	439 33 11		Bearing holder EX.VERSION		1		1
41	83 30 15		Ball bearing 25X62X25.4	1	1	1	1
42	82 74 65		O-ring 59.5X3 NBR	1	1	1	1
42	82 80 90		O-ring 59.5X3 FPM	1		1	
43	605 20 00		Bearing cover	1	1	1	1
44	720 54 30		Mechanical seal	1	1	1	1
44	720 54 31		Mechanical seal	1	1		
44	720 54 02		Mechanical seal WCCR/AI203			1	1
44	720 54 01		Mechanical seal WCCR/WCCR			1	1
45	83 04 53		Hex.socket hd screw M12X45-A4-80	4	4	4	4
46	761 11 00		Oil housing bottom	1	1	1	1
47	443 49 00		Sleeve	1	1	1	1
48	82 73 90		O-ring 19.2X3 NBR	2	2	2	2
48	82 72 95		O-ring 19.2X3 FPM	2		2	
49	428 22 17		Inspection screw	2	2	2	2
53	720 54 02		Mechanical seal WCCR/AI203	1	1	1	1
53	720 54 01		Mechanical seal WCCR/WCCR	1	1	1	1
53	720 54 31		Mechanical seal			1	1
57	82 74 95		O-ring 219.3X5.7 NBR	1	1	1	1
162	93 00 77		Shrink hose ID=6.4 MM	*	*	*	*
169	667 40 00		Sticker	2	2		
215	82 40 61		Plain washer (10)-22 MM	1			
215	82 40 82		Plain washer (32)-34 MM	4	4		
215	82 40 81		Plain washer (30)-32 MM		4		
215	82 40 61		Plain washer (10)-22 MM			1	
215	82 40 82		Plain washer (32)-34 MM			4	4
215	82 40 81	Plain washer (30)-32 MM				4	
216	84 17 90	Seal sleeve (10)-12 MM	1				
216	84 17 91	Seal sleeve (12)-14 MM	1				
216	84 17 92	Seal sleeve (14)-16 MM	1				
216	84 17 93	Seal sleeve (16)-18 MM	1				
216	84 17 94	Seal sleeve (18)-20 MM	1				
216	84 18 02	Seal sleeve (20)-23 MM	2	2			
216	84 18 03	Seal sleeve (23)-26 MM	2				
216	84 18 04	Seal sleeve (26)-29 MM	2	2			
216	84 18 05	Seal sleeve (29)-32 MM	2	2			
216	84 18 00	Seal sleeve (14)-17 MM		2			
216	84 18 01	Seal sleeve (17)-20 MM		2			
216	84 18 03	Seal sleeve (23)-26 MM		2			
216	84 17 91	Seal sleeve (12)-14 MM			1		
216	84 17 93	Seal sleeve (16)-18 MM			1		
216	84 18 02	Seal sleeve (20)-23 MM			2	2	

Pos. No	Part. No	Type	Denomination	Qty/Version			
				160	190	760	770
216	84 18 03		Seal sleeve (23)-26 MM			2	
216	84 17 92		Seal sleeve (14)-16 MM			1	
216	84 17 94		Seal sleeve (18)-20 MM			1	
216	84 18 01		Seal sleeve (17)-20 MM				2
217	678 58 12		Cable clip (10)-12 MM	1			
217	678 58 14		Cable clip (12)-14 MM	1			
217	678 58 16		Cable clip (14)-16 MM	1			
217	678 58 18		Cable clip (16)-18 MM	1			
217	678 58 20		Cable clip (18)-20 MM	1			
217	678 58 14		Cable clip (12)-14 MM			1	
217	678 58 18		Cable clip (16)-18 MM			1	
217	678 58 16		Cable clip (14)-16 MM			1	
217	678 58 20		Cable clip (18)-20 MM			1	
218	597 98 02		Sleeve	1	1		
218	597 98 02		Sleeve			1	1
229	82 70 85		Cap 5X10 MM PVC	1	1	1	1
230	83 44 23		Closed-end splice 4.0-9.0 (AWG 8) L=28	2		2	
230	83 42 62		Closed-end splice 0.33-0.82(AWG 22-18) L=18	2	2	2	2
231	94 03 33		Shrink hose ID=3.2 MM	*	*	*	*
231	94 03 30		Shrink hose ID=12 MM			*	
232	397 81 00		Gland screw FOR CABLE ENTRY	1			
232	642 17 01	(Ex)	Entrance flange	1	1		
232	397 81 00		Gland screw FOR CABLE ENTRY			1	
232	642 17 01	(Ex)	Entrance flange			1	1
233	83 03 48		Hex.socket hd screw M12X40-A4-70	2	2		
233	83 03 48		Hex.socket hd screw M12X40-A4-70			2	2
234	82 17 61		Cutting screw TAPTITE-M6X12	3	3	3	3
234	82 17 61		Cutting screw TAPTITE-M6X12	1	1		
235	83 43 58		Cable lug INSUL.UL/CSA 1.04-2.6 MM2	1		1	
235	83 43 58		Cable lug INSUL.UL/CSA 1.04-2.6 MM2	1	1	1	1
235	83 42 96		Cable lug 2.5-6 MM2;M6	1	1	1	1
235	83 42 96		Cable lug 2.5-6 MM2;M6	1		1	
235	83 43 62		Cable lug UL/CSA 0.5-1.65 MM2	1	1	1	1
236	83 42 65		Terminal block	2	2	2	2
236	83 42 65		Terminal block	3		3	
236	83 42 65		Terminal block	3	3	3	3
236	83 42 65		Terminal block	1		1	
236	83 42 67		Terminal block	2		2	
237	82 74 63		O-ring 49.5X3 NBR	1	1	1	1
238	83 53 21		Terminal clamp	6	6	6	6
238	83 53 30		Terminal clamp	6		6	

Pos. No	Part. No	Type	Denomination	Qty/Version			
				160	190	760	770
239	83 53 22		End plate APPA - 11796	1	1	1	1
240	83 53 31		End support 35X15	2	2	2	2
241	443 68 00		Rail 35X15	1	1	1	1
242	722 00 00		Marking plate	2		2	
243	471 77 01		Marking strip	2	2	2	2
244	427 13 00		Marking tape	1	1	1	1
250	82 17 64		Cutting screw TAPTITE-M6X20	4	4	4	4
912	82 73 90		O-ring 19.2X3 NBR	4		4	
912	82 74 78		O-ring 124,5X3,0-NBR	1		1	
912	82 72 95		O-ring 19.2X3 FPM	4		4	
912	82 95 60		O-ring 123X3 FPM	1		1	
912	82 73 90		O-ring 19.2X3 NBR		4		4
912	82 74 78		O-ring 124,5X3,0-NBR		1		1

3102.900/910/960/970

Pos. No	Part. No	Type	Denomination	Qty/Version				
				900	910	960	970	
1	477 11 01		Lifting handle	1	1	1	1	
2	83 03 21		Hex.socket hd screw M10X20-A4-70	2	2	2	2	
3	630 68 00		Data plate USE 6306801 AS SPARE PART	2	2	2	2	
6	83 02 58		Hex.socket hd screw M5X12-A4-70		2		2	
8	279 29 00		Earthing plate		1		1	
9	82 20 88		Drive screw 4X5-A2/A4	6	6	6	6	
10	439 31 00		Stator housing	1		1		
10	439 31 03	(Ex)	Stator housing		1		1	
11	83 03 51		Hex.socket hd screw M12X55-A4-70	3	3	3	3	
12,3	94 03 34		Shrink hose			*		
14	630 69 00		Certificate plate EN		2		2	
14	630 69 01	(Ex)	Certificate plate IECEX		2		2	
14	630 70 00		Certificate plate FM		2		2	
15	772 17 00		Connection plate	1	1	1	1	
16	82 74 93		O-ring 199.3X5.7 NBR	1		1		
16	82 74 93		O-ring 199.3X5.7 NBR		1		1	
17	83 33 14		Ball bearing 25X62X17	1	1	1	1	
18	751 74 00		Shaft unit	18-11-4		1		
18	751 70 00		Shaft unit	18-10-2				
18	751 77 00	(Ex)	Shaft unit	18-11-4		1	1	
18	751 73 00	(Ex)	Shaft unit	18-10-2		1		
19	310 11 01		Stator 18-11-4a	60 Hz 4-poles 220V-230V Y// 440V-460V YSER P2=4,10kW/ 5,50hp	1	1	1	1
19	310 11 66	(Ex)	Stator 18-11-4a	60 Hz 4-poles 220V-230V D 380V Y P2=4,10kW/5,50hp	1	1	1	1

Pos. No	Part. No	Type	Denomination	Qty/Version			
				900	910	960	970
19	310 11 69	(Ex)	Stator 18-11-4a 60 Hz 4-poles 380V D P2=4,10kW/ 5,50hp	1	1	1	1
19	310 11 68	(Ex)	Stator 18-11-4a 50 Hz 4-poles 200V-208V D P2=3,50kW 60 Hz 4-poles 240V D P2=4,10kW/ 5,50hp 50 Hz 4-poles 220V-230V D 380V-400V Y P2=3,50kW 60 Hz 4-poles 260V D 460V Y P2=4,10kW/5,50hp	1	1	1	1
19	310 11 62	(Ex)	Stator 18-11-4a 50 Hz 4-poles 220V-230V D 380V-400V Y P2=3,50kW 60 Hz 4-poles 260V D 460V Y P2=4,10kW/5,50hp	1	1	1	
19	310 11 61	(Ex)	Stator 18-11-4a 50 Hz 4-poles 380V-400V D 660V-690V Y P2=3,50kW 60 Hz 4-poles 440V-480V D P2=4,10kW/5,50hp	1	1	1	1
19	310 11 67	(Ex)	Stator 18-11-4a 50 Hz 4-poles 400V-440V D P2=3,50kW	1	1	1	1
19	310 11 63	(Ex)	Stator 18-11-4a 50 Hz 4-poles 500V D P2=3,50kW 60 Hz 4-poles 575V-600V D P2=4,10kW/5,50hp	1	1	1	1
19	310 11 71	(Ex)	Stator 18-11-4a 60 Hz 4-poles 200V-208V D P2=4,10kW/5,50hp	1	1	1	1
19	344 86 70	(Ex)	Stator 18-10-2a 60 Hz 2-poles 220V-230V Y// 440V-460V YSER P2=5,40kW/ 7,20hp	1	1		
19	344 86 68		Stator 18-10-2a 50 Hz 2-poles 200V D P2=4,50kW 60 Hz 2-poles 220V D 380V Y P2=5,40kW/7,20hp	1	1		
19	344 86 66		Stator 18-10-2a 60 Hz 2-poles 230V D P2=5,40kW/ 7,20hp	1	1		
19	344 86 62		Stator 18-10-2a 50 Hz 2-poles 220V-230V D 380V-400V Y P2=4,50kW 60 Hz 2-poles 260V D 460V-480V Y P2=5,40kW/7,20hp	1	1		
19	344 86 61		Stator 18-10-2a 50 Hz 2-poles 380V D 660V-690V Y P2=4,50kW 60 Hz 2-poles 440V-460V D P2=5,40kW/7,20hp	1	1		
19	344 86 71		Stator 18-10-2a 50 Hz 2-poles 400V D P2=4,50kW	1	1		
19	344 86 67		Stator 18-10-2a 50 Hz 2-poles 415V-440V D P2=4,50kW	1	1		
19	344 86 63		Stator 18-10-2a 50 Hz 2-poles 500V-550V D P2=4,50kW 60 Hz 2-poles 575V-600V D P2=5,40kW/7,20hp	1	1		
19	344 86 69	(Ex)	Stator 18-10-2a 60 Hz 2-poles 200V-208V D P2=5,40kW/7,20hp	1	1		
22	83 45 59		Cable tie 200X2.4 PA 6/6 -55+105	1	1	1	1

Pos. No	Part. No	Type	Denomination	Qty/Version			
				900	910	960	970
23	94 20 42		Motor cable subcab SUBCAB 4G2,5	*		*	
23	94 20 59		Motor cable subcab SUBCAB 4G2,5+2x1,5	*	*	*	*
23	94 20 82		Motor cable subcab SUBCAB 7G2,5+2x1,5	*	*	*	*
23	94 20 56		Motor cable subcab SUBCAB 4G6+2x1,5	*		*	
23	94 20 60		Motor cable subcab SUBCAB 4G4+2x1,5	*	*	*	*
23	94 17 23		Motor cable Screened 3x2,5	*		*	
23	94 19 90		Motor cable subcab SUBCAB S3x2,5+3x2,5/3+S(4x0,5)	*	*	*	*
23	94 17 24		Motor cable Screened 6x2,5+2x1,5	*		*	
25	443 51 00		Entrance cover	1		1	
25	443 50 00		Entrance cover	1		1	
25	443 50 03	(Ex)	Entrance cover		1		1
26	83 04 45		Hex.socket hd screw M8X35-A4-80	4	4	4	4
27	82 74 78		O-ring 124,5X3,0-NBR	1	1	1	1
30	734 59 00		El.lead through unit	1	1	1	1
31	439 44 01	(Ex)	Screw M14X1.25		3		3
32	596 07 00		Square washer		3		3
33	82 17 64		Cutting screw TAPTITE-M6X20	3	3	3	3
34	82 50 60		Sealing washer DUBO NR 301	3	3	3	3
35	439 42 00		Sleeve	1		1	
35	439 42 01		Sleeve	1			
36	504 78 06		Cable unit	1		1	
37	504 78 07		Cable unit	1	1	1	1
38	518 89 02		Leakage detect.unit (FLS)	1	1	1	1
39	505 12 00		Leakage detect.unit (CLS30)	1		1	
40	439 33 10		Bearing holder	1	1	1	1
40	439 33 12		Bearing holder STANDARD VERSION	1		1	
40	439 33 11	(Ex)	Bearing holder EX.VERSION		1		1
41	83 30 15		Ball bearing 25X62X25.4	1	1	1	1
42	82 74 65		O-ring 59.5X3 NBR	1		1	
42	82 74 65		O-ring 59.5X3 NBR		1		1
43	605 20 00		Bearing cover	1	1	1	1
44	720 54 30		Mechanical seal	1	1	1	1
44	720 54 31		Mechanical seal	1	1		
44	720 54 02		Mechanical seal WCCR/AI203			1	1
44	720 54 01		Mechanical seal WCCR/WCCR			1	1
45	83 04 53		Hex.socket hd screw M12X45-A4-80	4	4	4	4
46	761 11 00		Oil housing bottom	1	1	1	1
47	443 49 00		Sleeve	1	1	1	1
48	82 73 90		O-ring 19.2X3 NBR	2		2	
48	82 73 90		O-ring 19.2X3 NBR		2		2
49	428 22 17		Inspection screw	2	2	2	2
53	720 54 02		Mechanical seal WCCR/AI203	1	1	1	1
53	720 54 01		Mechanical seal WCCR/WCCR	1	1	1	1
53	720 54 31		Mechanical seal			1	1

Pos. No	Part. No	Type	Denomination	Qty/Version			
				900	910	960	970
57	82 74 95		O-ring 219.3X5.7 NBR	1	1	1	1
162	93 00 77		Shrink hose ID=6.4 MM	*	*	*	*
215	82 40 61		Plain washer (10)-22 MM	1			
215	82 40 82		Plain washer (32)-34 MM	4	4		
215	82 40 81		Plain washer (30)-32 MM		4		
215	82 40 61		Plain washer (10)-22 MM			1	
215	82 40 82		Plain washer (32)-34 MM			4	4
215	82 40 81		Plain washer (30)-32 MM				4
216	84 17 90		Seal sleeve (10)-12 MM	1			
216	84 17 91		Seal sleeve (12)-14 MM	1			
216	84 17 92		Seal sleeve (14)-16 MM	1			
216	84 17 93		Seal sleeve (16)-18 MM	1			
216	84 17 94		Seal sleeve (18)-20 MM	1			
216	84 18 02		Seal sleeve (20)-23 MM	2	2		
216	84 18 03		Seal sleeve (23)-26 MM	2			
216	84 18 04		Seal sleeve (26)-29 MM	2	2		
216	84 18 05		Seal sleeve (29)-32 MM	2	2		
216	84 18 01		Seal sleeve (17)-20 MM		2		
216	84 18 03		Seal sleeve (23)-26 MM		2		
216	84 17 91		Seal sleeve (12)-14 MM			1	
216	84 17 93		Seal sleeve (16)-18 MM			1	
216	84 18 02		Seal sleeve (20)-23 MM			2	2
216	84 18 03		Seal sleeve (23)-26 MM			2	
216	84 17 92		Seal sleeve (14)-16 MM			1	
216	84 17 94		Seal sleeve (18)-20 MM			1	
216	84 18 01		Seal sleeve (17)-20 MM				2
217	678 58 12		Cable clip (10)-12 MM	1			
217	678 58 14		Cable clip (12)-14 MM	1			
217	678 58 16		Cable clip (14)-16 MM	1			
217	678 58 18		Cable clip (16)-18 MM	1			
217	678 58 20		Cable clip (18)-20 MM	1			
217	678 58 14		Cable clip (12)-14 MM			1	
217	678 58 18		Cable clip (16)-18 MM			1	
217	678 58 16		Cable clip (14)-16 MM			1	
217	678 58 20		Cable clip (18)-20 MM			1	
218	597 98 02		Sleeve	1	1		
218	597 98 02		Sleeve			1	1
229	82 70 85		Cap 5X10 MM PVC	1	1	1	1
230	83 44 23		Closed-end splice 4.0-9.0 (AWG 8) L=28	2		2	
230	83 42 62		Closed-end splice 0.33-0.82(AWG 22-18) L=18	2	2	2	2
231	94 03 33		Shrink hose ID=3.2 MM	*	*	*	*
231	94 03 30		Shrink hose ID=12 MM			*	
232	397 81 00		Gland screw FOR CABLE ENTRY	1			

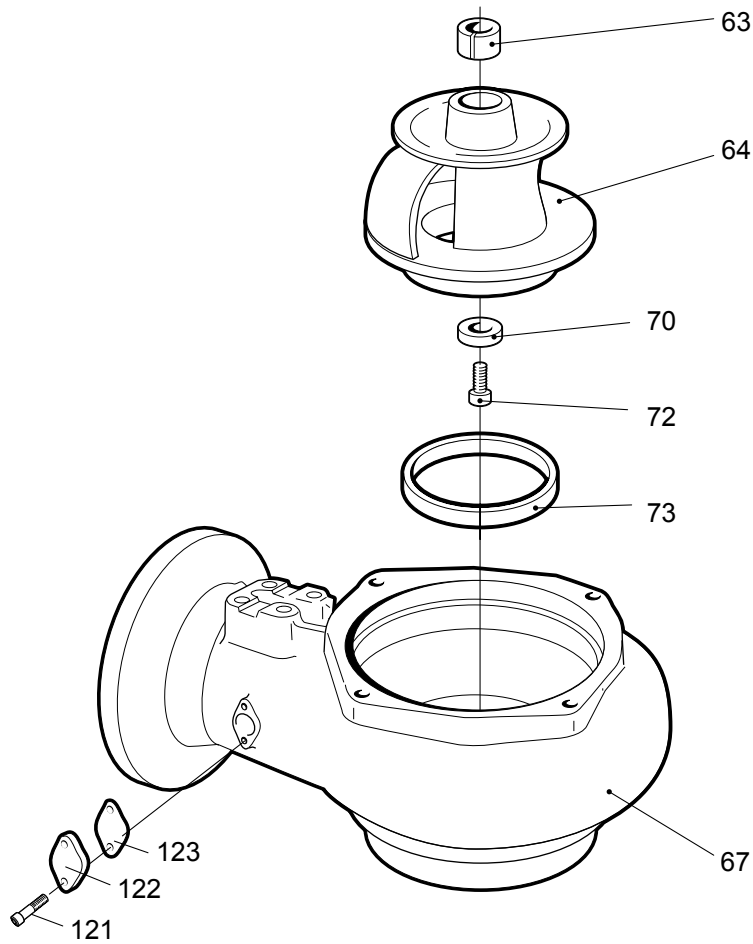
Pos. No	Part. No	Type	Denomination	Qty/Version			
				900	910	960	970
232	642 17 01	(Ex)	Entrance flange	1	1		
232	397 81 00		Gland screw FOR CABLE ENTRY			1	
232	642 17 01	(Ex)	Entrance flange			1	1
233	83 03 48		Hex.socket hd screw M12X40-A4-70	2	2	2	2
234	82 17 61		Cutting screw TAPTITE-M6X12	3	3	3	3
234	82 17 61		Cutting screw TAPTITE-M6X12	1	1		1
235	83 43 58		Cable lug INSUL.UL/CSA 1.04-2.6 MM2	1	1	1	1
235	83 42 96		Cable lug 2.5-6 MM2;M6	1	1	1	1
235	83 43 62		Cable lug UL/CSA 0.5-1.65 MM2	1	1	1	1
236	83 42 65		Terminal block	2	2	2	2
236	83 42 65		Terminal block	3	3	3	3
236	83 42 65		Terminal block	1		1	
236	83 42 67		Terminal block	2		2	
237	82 74 63		O-ring 49.5X3 NBR	1	1	1	1
238	83 53 21		Terminal clamp	6		6	
238	83 53 21		Terminal clamp		6		6
239	83 53 22		End plate APPA - 11796	1		1	
239	83 53 22		End plate APPA - 11796		1		1
240	83 53 31		End support 35X15	2	2	2	2
241	443 68 00		Rail 35X15	1	1	1	1
243	471 77 01		Marking strip	2		2	
243	471 77 01		Marking strip		2		2
244	427 13 00		Marking tape	1	1	1	1
250	82 17 64		Cutting screw TAPTITE-M6X20	4	4	4	4
912	726 37 00		Caution label	1	1	1	1
912	82 73 90		O-ring 19.2X3 NBR	4		4	
912	82 74 78		O-ring 124,5X3,0-NBR	1		1	
912	82 73 90		O-ring 19.2X3 NBR		4		4
912	82 74 78		O-ring 124,5X3,0-NBR		1		1

Hydraulic Unit

C_ MT

Curve: 430, 432 – 435

C_ 3102 MT

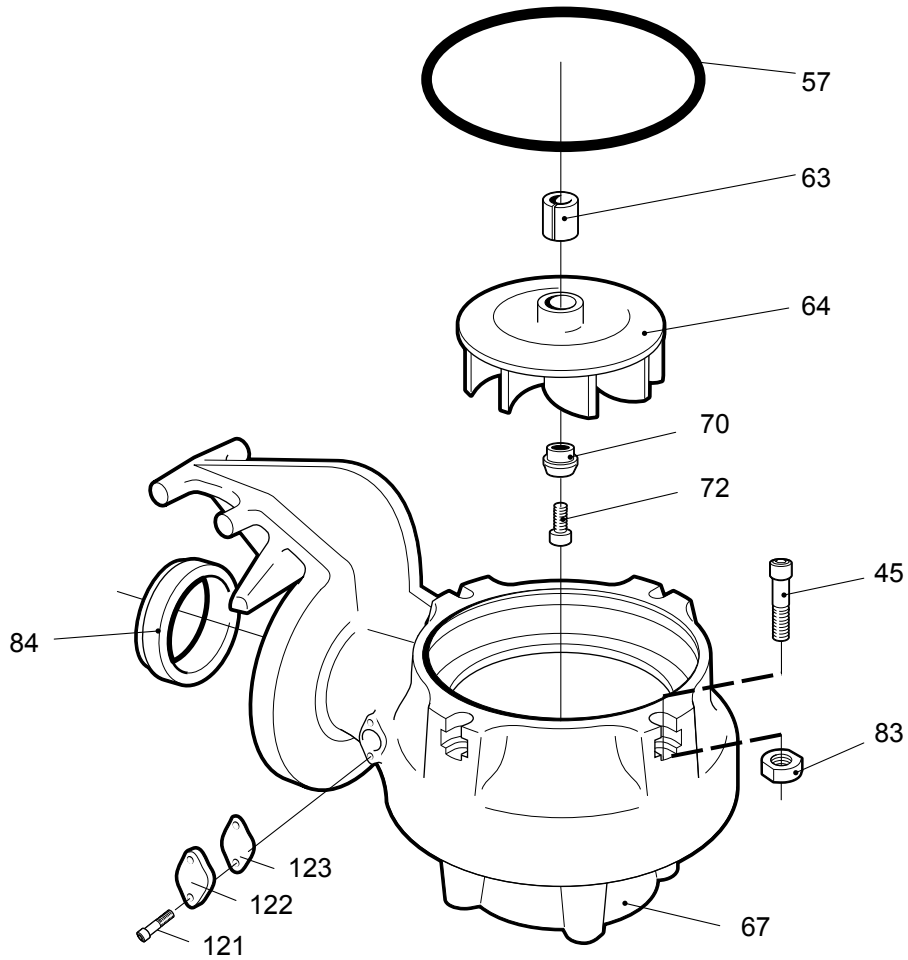


30765

DP

Curve: 470 - 472

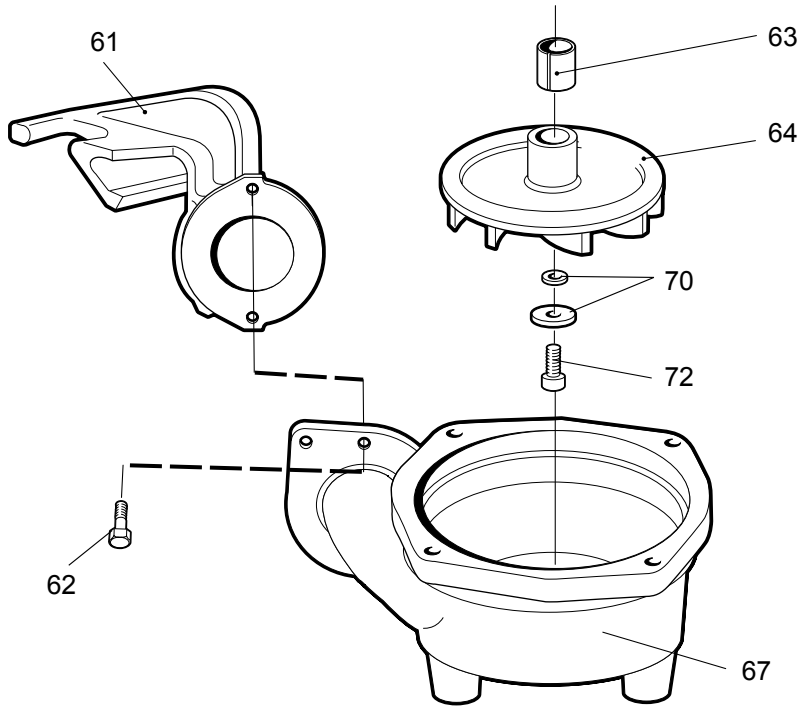
DP 3102 MT



30213

Curve: 276, 278

DP 3102 HT

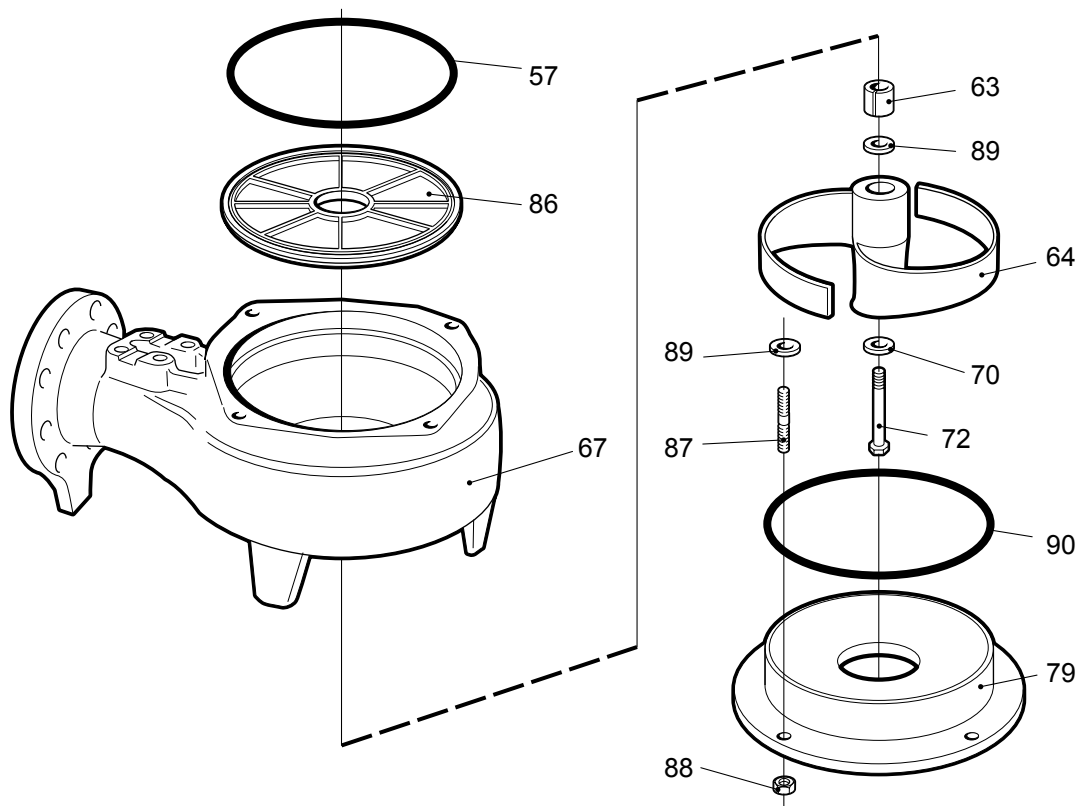


30774

F_LT

Curve: 490 – 494

FS 3102 LT

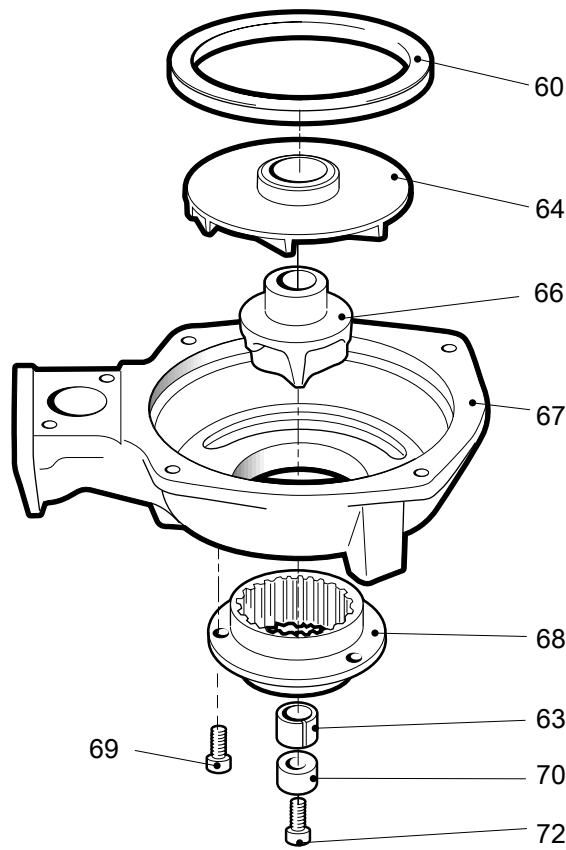


30215

M_LT/HT

Curve: 210, 212, 216, 261 – 263, 267

M_3102

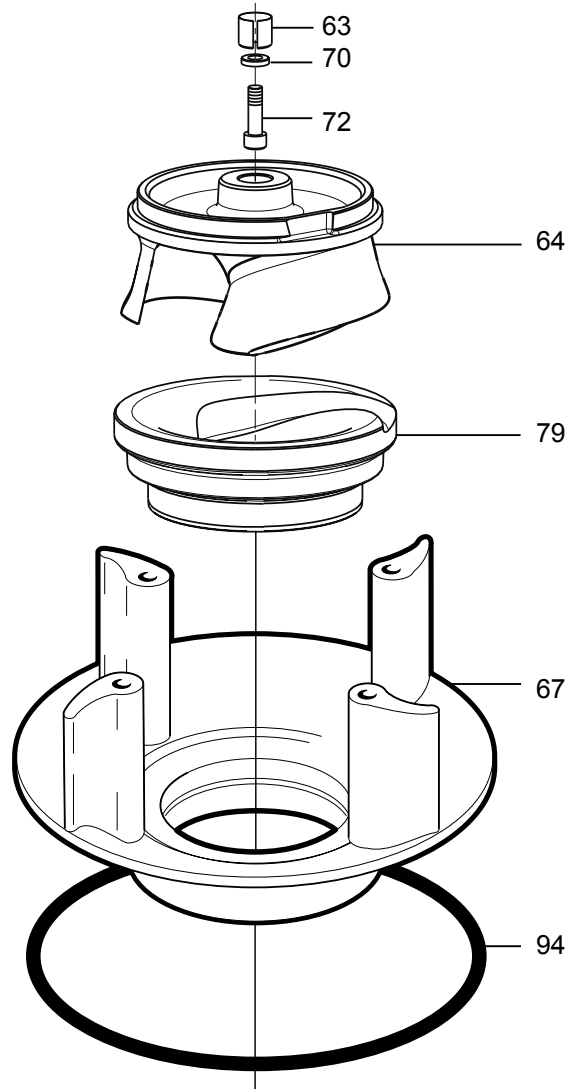


31584A

N_LT

LL, curve: 421, 423

NL 3102 LT

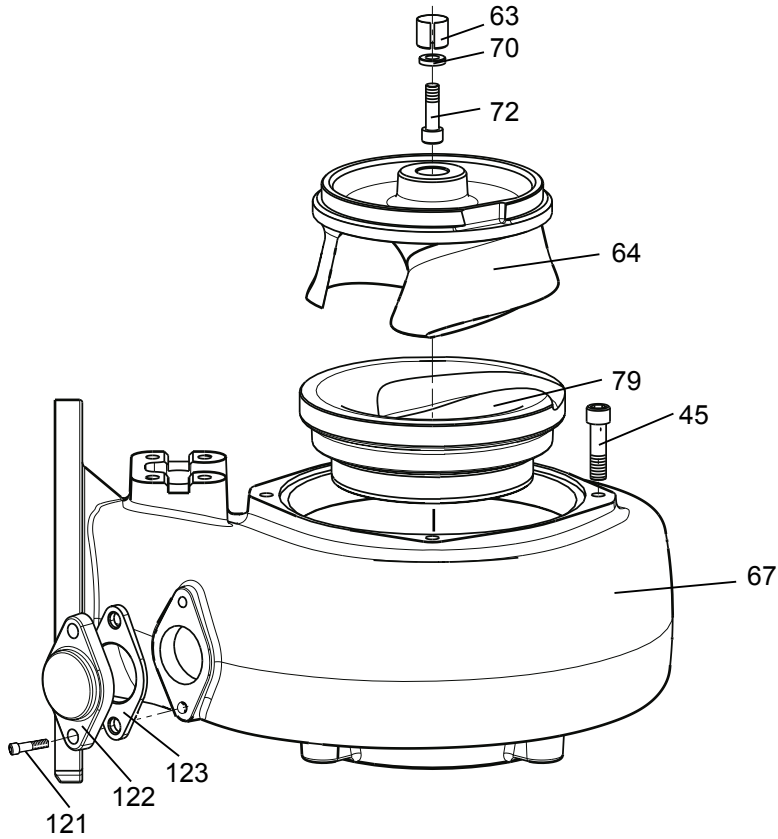


31067

N_LT

Pump housing, curve: 420 – 423

N_3102 LT

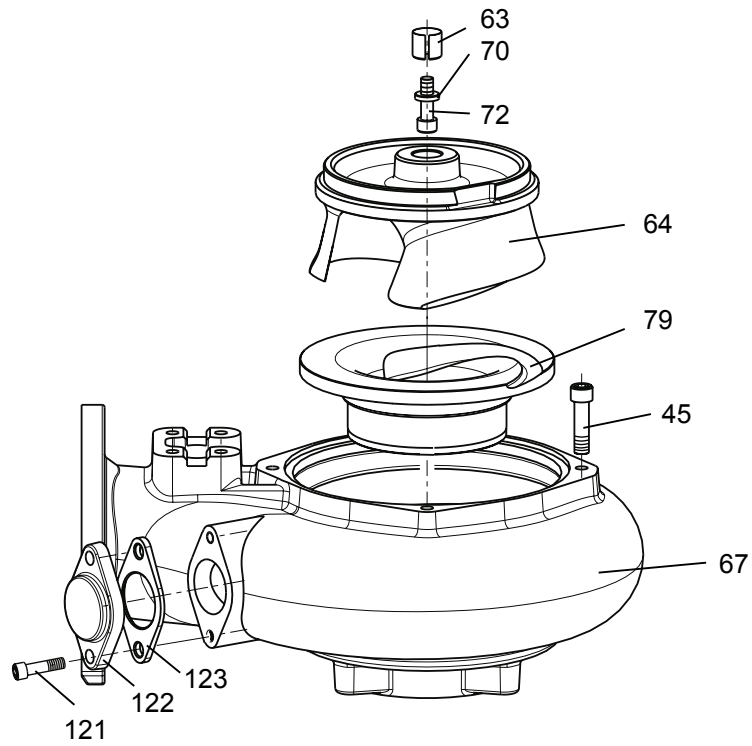


30757

N_MT

Curve: 460 – 465

N_3102 MT

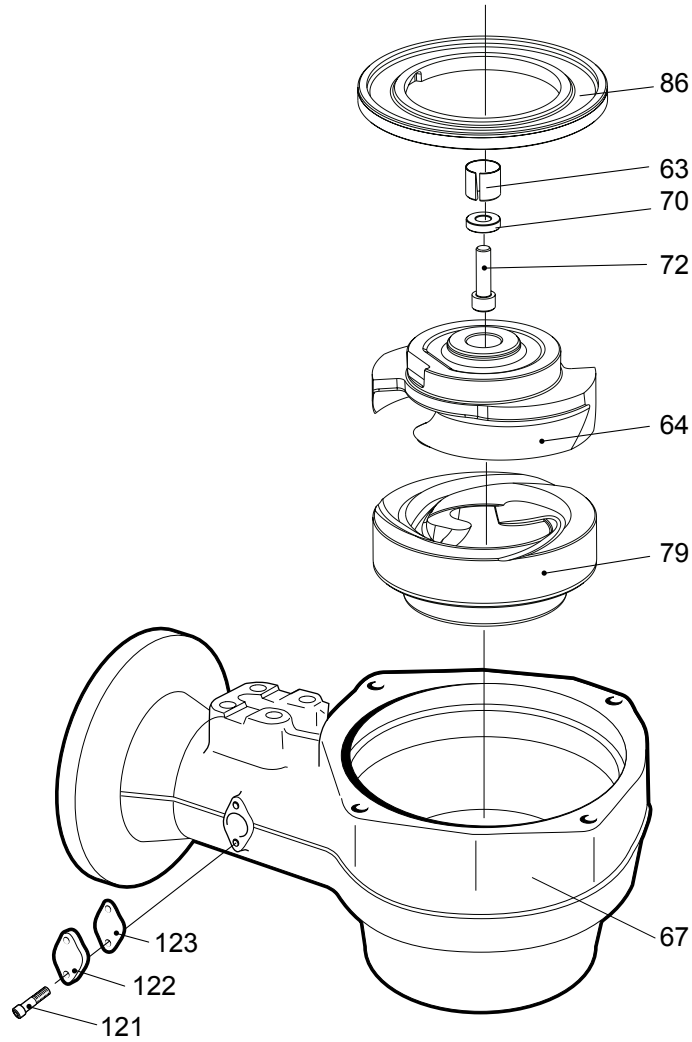


30908N_A

N_SH

Curve: 255, 256 – 258

N_3102 SH



N_31193

3102.090/181/800/810

Pos. No	Part. No	Denomination	Qty/Version			
			090	181	800	810
63	439 41 00	Sleeve	1	1		
63	439 41 02	Sleeve			1	1
64	438 90 04	Impeller	1	1		
		MT 50Hz Curve code. 430				
		MT 50Hz Curve code. 430				
64	438 96 03	Impeller	1	1	1	1
		MT 50Hz Curve code. 432				
		MT 60Hz Curve code. 432				
64	438 99 02	Impeller	1	1	1	1
		MT 50Hz Curve code. 433				
		MT 60Hz Curve code. 433				
		MT 60Hz 1-phase Curve code. 433				
64	438 96 04	Impeller	1	1	1	1
		MT 50Hz Curve code. 434				
		MT 60Hz Curve code. 434				
		MT 60Hz 1-phase Curve code. 434				
64	438 93 01	Impeller	1	1	1	1
		MT 50Hz Curve code. 435				
		MT 60Hz Curve code. 435				
64	429 65 12	Impeller	1	1		
64	429 65 13	Impeller	1	1		
		MT 50Hz Curve code. 471				
		MT 60Hz Curve code. 471				
64	429 65 14	Impeller	1	1		
		MT 50Hz Curve code. 472				
		MT 60Hz Curve code. 472				
64	403 86 25	Torque flow impeller	1	1		
64	403 86 26	Torque flow impeller	1	1		
64	416 73 09	Impeller unit	1	1		
64	416 73 04	Impeller	1	1		
		LT 50Hz Curve code. 491				
		LT 60Hz Curve code. 491				
64	416 73 05	Impeller	1	1		
		LT 50Hz Curve code. 492				
		LT 60Hz Curve code. 492				
		LT 60Hz 1-phase Curve code. 492				
64	416 73 10	Impeller unit	1	1		
64	416 73 11	Impeller unit	1	1		
64	429 65 30	Torque flow impeller	1	1		
64	518 87 00	Impeller		1		
67	303 35 20	Pump housing	1	1	1	1
		Optional				
		LT C N DN 150 Installation: P				
67	383 99 20	Pump housing	1	1	1	1
		Optional				
		LT C N DN 100 Installation: P				
67	303 24 20	Pump housing	1	1	1	1
		Optional				
		MT C N DN 100 Installation: P				
67	387 32 50	Pump housing	1	1	1	1
67	429 62 20	Pump housing	1	1		
		SH N DN 80 Installation: P				
		MT D DN 100 Sliding bracket				
		Installation: P				
67	303 35 21	Pump housing	1	1	1	1
		LT C N DN 150 Drilled acc. to: EN 1092-2				
		tab. 9 ANSI B16.1-89; tab.5 Installation:				
		P S T				
67	383 99 21	Pump housing	1	1	1	1
		LT C N DN 100 Drilled acc. to: EN 1092-2				
		tab. 9 Installation: P S T				

Pos. No	Part. No	Denomination	Qty/Version			
			090	181	800	810
67	303 24 21	Pump housing MT C N DN 100 Drilled acc. to: EN 1092-2 tab. 9 Installation: P S T	1	1	1	1
67	303 24 25	Pump housing MT C N DN 100 Drilled acc. to: ANSI B16.1:-89;tabl.5 Installation: P T	1	1	1	1
67	387 32 77	Pump housing SH N DN 80 Drilled acc. to: EN 1092-2 tab. 9 Installation: P S T	1	1	1	1
67	387 32 55	Pump housing SH N DN 80 Drilled acc. to: ANSI B16.1-89; tab.5 Installation: P T	1	1	1	1
67	403 87 00	Pump housing HT D DN 80 Installation: P S	1	1		
67	429 62 00	Pump housing MT D DN 100 Sliding bracket Installation: P	1	1		
67	303 35 36	Pump housing LT N DN 150 Drilled acc. to: EN 1092-2 tab. 9 ANSI B16.1-89; tab.5 Installation: Z Drainage plug	1	1	1	1
67	383 99 31	Pump housing LT MT N DN 100 Drilled acc. to: EN 1092-2 tab. 9 Installation: Z Drainage plug	1	1	1	1
67	303 24 31	Pump housing MT C N DN 100 Drilled acc. to: EN 1092-2 tab. 9 Installation: Z Drainage plug	1	1	1	1
67	303 24 35	Pump housing MT C N DN 100 Drilled acc. to: ANSI B16.1-89; tab.5 Installation: Z Drainage plug	1	1	1	1
67	387 32 81	Pump housing SH N DN 80 Drilled acc. to: EN 1092-2 tab. 9 Installation: Z Drainage plug	1	1	1	1
67	387 32 85	Pump housing SH N DN 80 Drilled acc. to: ANSI B16.1-89; tab.5 Installation: Z Drainage plug	1	1	1	1
67	435 34 01	Pump housing LT F DN 100 Drilled acc. to: EN 1092-2 tab. 9 Installation: P S	1	1		
67	435 34 05	Pump housing LT F DN 100 Drilled acc. to: ANSI B16.1:-89;tabl.5 Installation: P S	1	1		
67	396 72 02	Diffuser coat. LT L N Column pipe DN 500 Installation: L	1	1	1	1
67	429 62 35	Pump housing Optional	1	1		
67	387 32 20	Pump housing Optional		1	1	
70	82 38 03	Plain washer SS 3577-10-A4-170HV	1	1		
70	338 13 00	Plain washer	1	1	1	1
70	403 94 01	Ring	1	1		
72	83 29 20	Hex.socket hd screw M10X60-A4-100	1	1	1	1
72	83 02 12	Hex.socket hd screw	1	1		
73	303 66 00	Wear ring	1	1	1	1
73	314 88 01	Ring	1	1	1	1
73	303 50 00	Ring	1	1	1	1
73	314 88 00	Ring	1	1	1	1
79	435 35 00	Suction cover	1	1		
83	429 67 00	Square nut	4	4		
83	429 67 00	Square nut	4	1		
84	429 66 00	U-ring	1	1		

Pos. No	Part. No	Denomination	Qty/Version			
			090	181	800	810
86	394 39 00	Pump housing cover	1	1		
86	410 15 00	Pump housing cover	1	1		
		LT 50Hz Curve code. 490				
		LT 50Hz Curve code. 493				
		LT 50Hz Curve code. 492				
		LT 60Hz Curve code. 492				
		LT 60Hz 1-phase Curve code. 492				
		LT 50Hz Curve code. 491				
		LT 60Hz Curve code. 491				
		LT 50Hz Curve code. 494				
87	80 96 98	Stud	3	3		
88	82 27 27	Lock nut M8-A4-70	3	3		
89	82 34 25	Plain washer 8-A4-140HV	6	6		
89	250 23 02	Adjustment washer	24	24		
89	250 23 03	Adjustment washer	18	18		
89	250 23 05	Adjustment washer	24	24		
90	82 80 83	O-ring 209.3X5.7 FPM	1	1		
94	82 83 40	G-ring DIAM=325;T=16 SBR	1	1	1	1
121	83 03 23	Hex.socket hd screw M10X25-A4-70	2	2	2	2
122	433 56 00	Cover	1	1	1	1
123	647 99 00	Gasket	1	1	1	1
		LT MT SH				
123	647 99 01	Gasket	1	1	1	1
		LT MT SH				
125	389 25 02	Hexagon head screw M12X200 10.9	1	1		

3102.095/185/820/830

Pos. No	Part. No	Denomination	Qty/Version			
			095	185	820	830
63	439 41 00	Sleeve	1	1		
63	439 41 02	Sleeve			1	1
64	700 81 00	Impeller	1	1	1	1
		LT 50Hz Curve code. 420				
64	700 81 16	Impeller	1	1	1	1
		LT 50Hz Curve code. 421				
64	700 81 22	Impeller	1	1	1	1
		LT 60Hz Curve code. 422				
64	700 81 29	Impeller	1	1	1	1
		LT 50Hz Curve code. 423				
		LT 60Hz Curve code. 423				
64	700 82 04	Impeller	1	1		
		SH 50Hz Curve code. 255				
64	700 82 19	Impeller	1	1	1	1
		SH 50Hz Curve code. 256				
		SH 60Hz Curve code. 256				
64	700 82 29	Impeller	1	1	1	1
		SH 60Hz Curve code. 257				
64	700 76 02	Impeller	1	1	1	1
		MT 50Hz Curve code. 460				
64	700 76 12	Impeller	1	1	1	1
		MT 50Hz Curve code. 461				
64	700 76 22	Impeller	1	1	1	1
		MT 50Hz Curve code. 462				
		MT 60Hz Curve code. 462				
64	700 76 32	Impeller	1	1	1	1
		MT 50Hz Curve code. 463				
		MT 60Hz Curve code. 463				
64	700 76 42	Impeller	1	1	1	1
		MT 50Hz Curve code. 464				
		MT 60Hz Curve code. 464				
		MT 60Hz 1-phase Curve code. 464				

Pos. No	Part. No	Denomination	Qty/Version			
			095	185	820	830
64	700 76 45	Impeller	1	1	1	1
		MT 60Hz Curve code. 465				
		MT 60Hz 1-phase Curve code. 465				
64	429 65 30	Torque flow impeller	1			
		Optional				
64	700 82 08	Impeller			1	1
		SH 50Hz Curve code. 258				
67	303 35 20	Pump housing	1	1	1	1
		LT N DN 150 Installation: P				
67	383 99 20	Pump housing	1	1	1	1
		LT N DN 100 Installation: P				
67	303 24 20	Pump housing	1	1	1	1
		MT N DN 100 Installation: P				
67	387 32 50	Pump housing	1	1	1	1
		SH N DN 80 Installation: P				
67	303 35 21	Pump housing	1	1	1	1
		LT N DN 150 Drilled acc. to: EN 1092-2 tab. 9 ANSI B16.1-89; tab.5 Installation: P S T				
67	383 99 21	Pump housing	1	1	1	1
		LT N DN 100 Drilled acc. to: EN 1092-2 tab. 9 Installation: P S T				
67	303 24 21	Pump housing	1	1	1	1
		MT N DN 100 Drilled acc. to: EN 1092-2 tab. 9 Installation: P S T				
67	303 24 25	Pump housing	1	1	1	1
		MT N DN 100 Drilled acc. to: ANSI B16.1-89; tab.5 Installation: P T				
67	387 32 77	Pump housing	1	1	1	1
		SH N DN 80 Drilled acc. to: EN 1092-2 tab. 9 Installation: P S T				
67	387 32 55	Pump housing	1	1	1	1
		SH N DN 80 Drilled acc. to: ANSI B16.1-89; tab.5 Installation: P T				
67	303 35 36	Pump housing	1	1	1	1
		LT N DN 150 Drilled acc. to: EN 1092-2 tab. 9 ANSI B16.1-89; tab.5 Installation: Z Drainage plug				
67	383 99 31	Pump housing	1	1	1	1
		LT N DN 100 Drilled acc. to: EN 1092-2 tab. 9 Installation: Z Drainage plug				
67	303 24 31	Pump housing	1	1	1	1
		MT N DN 100 Drilled acc. to: EN 1092-2 tab. 9 Installation: Z Drainage plug				
67	303 24 35	Pump housing	1	1	1	1
		MT N DN 100 Drilled acc. to: ANSI B16.1-89; tab.5 Installation: Z Drainage plug				
67	387 32 81	Pump housing	1	1	1	1
		SH N DN 80 Drilled acc. to: EN 1092-2 tab. 9 Installation: Z Drainage plug				
67	387 32 85	Pump housing	1	1	1	1
		SH N DN 80 Drilled acc. to: ANSI B16.1-89; tab.5 Installation: Z Drainage plug				
67	429 62 35	Pump housing	1			
		Optional				
70	338 13 08	Plain washer	1	1	1	1
72	83 29 20	Hex.socket hd screw M10X60-A4-100	1	1	1	1
79	707 47 00	Insert ring	1	1	1	1
		LT 50Hz Material Hard-Iron TM				
		LT 50Hz				
		LT 60Hz				
		LT 60Hz Material Hard-Iron TM				
79	704 48 00	Insert ring	1	1	1	1
		SH 60Hz Material Hard-Iron TM				
		SH 50Hz Material Hard-Iron TM				

Pos. No	Part. No	Denomination	Qty/Version			
			095	185	820	830
79	707 46 00	Insert ring MT 50Hz Material Hard-Iron TM MT 60Hz Material Hard-Iron TM MT 50Hz MT 60Hz MT 60Hz 1-phase MT 60Hz 1-phase Material Hard-Iron TM	1	1	1	1
79	693 04 00	Insert ring SH 50Hz Material Hard-Iron TM Curve code. 258				1
86	693 03 00	Insert ring	1	1	1	1
121	83 03 23	Hex.socket hd screw M10X25-A4-70	2	2	2	2
122	433 56 00	Cover	1	1	1	1
123	647 99 00	Gasket MT SH LT	1	1	1	1
123	647 99 01	Gasket MT SH LT	1	1	1	1

3102.160/190/900/910

Pos. No	Part. No	Denomination	Qty/Version			
			160	190	900	910
63	439 41 02	Sleeve	1	1	1	1
64	766 50 00	Impeller unit LT 50Hz Curve code. 420	1	1	1	1
64	766 50 16	Impeller unit LT 50Hz Curve code. 421	1	1	1	1
64	766 50 22	Impeller unit LT 60Hz Curve code. 422	1	1	1	1
64	766 50 29	Impeller unit LT 50Hz Curve code. 423 LT 60Hz Curve code. 423	1	1	1	1
64	766 49 04	Impeller unit SH 50Hz Curve code. 255	1	1		
64	766 49 19	Impeller unit SH 50Hz Curve code. 256 SH 60Hz Curve code. 256	1	1	1	1
64	766 49 29	Impeller unit SH 60Hz Curve code. 257	1	1	1	1
64	761 15 02	Impeller unit MT 50Hz Curve code. 460	1	1	1	1
64	761 15 12	Impeller unit MT 50Hz Curve code. 461	1	1	1	1
64	761 15 22	Impeller unit MT 50Hz Curve code. 462 MT 60Hz Curve code. 462	1	1	1	1
64	761 15 32	Impeller unit MT 50Hz Curve code. 463 MT 60Hz Curve code. 463	1	1	1	1
64	761 15 42	Impeller unit MT 50Hz Curve code. 464 MT 60Hz Curve code. 464 MT 60Hz 1-phase Curve code. 464	1	1	1	1
64	761 15 45	Impeller unit MT 60Hz Curve code. 465 MT 60Hz 1-phase Curve code. 465	1	1	1	1
64	766 49 08	Impeller unit SH 50Hz Curve code. 258			1	1
67	303 35 20	Pump housing LT N DN 150 Installation: P	1	1	1	1
67	383 99 20	Pump housing LT N DN 100 Installation: P	1	1	1	1
67	303 24 20	Pump housing Optional MT N DN 100 Installation: P	1	1	1	1
67	387 32 50	Pump housing SH N DN 80 Installation: P	1	1	1	1

Pos. No	Part. No	Denomination	Qty/Version			
			160	190	900	910
67	303 35 21	Pump housing LT N DN 150 Drilled acc. to: EN 1092-2 tab. 9 ANSI B16.1-89; tab.5 Installation: P S T	1	1	1	1
67	383 99 21	Pump housing LT N DN 100 Drilled acc. to: EN 1092-2 tab. 9 Installation: P S T	1	1	1	1
67	303 24 21	Pump housing MT N DN 100 Drilled acc. to: EN 1092-2 tab. 9 Installation: P S T	1	1	1	1
67	303 24 25	Pump housing MT N DN 100 Drilled acc. to: ANSI B16.1-89; tab.5 Installation: P T	1	1	1	1
67	387 32 77	Pump housing SH N DN 80 Drilled acc. to: EN 1092-2 tab. 9 Installation: P S T	1	1	1	1
67	387 32 55	Pump housing SH N DN 80 Drilled acc. to: ANSI B16.1-89; tab.5 Installation: P T	1	1	1	1
67	303 35 36	Pump housing LT N DN 150 Drilled acc. to: EN 1092-2 tab. 9 ANSI B16.1-89; tab.5 Installation: Z Drainage plug	1	1	1	1
67	383 99 31	Pump housing LT MT N DN 100 Drilled acc. to: EN 1092-2 tab. 9 Installation: Z Drainage plug	1	1	1	1
67	303 24 31	Pump housing MT N DN 100 Drilled acc. to: EN 1092-2 tab. 9 Installation: Z Drainage plug	1	1	1	1
67	303 24 35	Pump housing MT N DN 100 Drilled acc. to: ANSI B16.1-89; tab.5 Installation: Z Drainage plug	1	1	1	1
67	387 32 81	Pump housing SH N DN 80 Drilled acc. to: EN 1092-2 tab. 9 Installation: Z Drainage plug	1	1	1	1
67	387 32 85	Pump housing SH N DN 80 Drilled acc. to: ANSI B16.1-89; tab.5 Installation: Z Drainage plug	1	1	1	1
67	396 72 02	Diffuser coat. LT N Column pipe DN 500 Installation: L	1	1	1	1
67	303 24 20	Pump housing Optional MT N DN 100 Installation: P	1		1	
70	338 13 08	Plain washer	1	1	1	1
72	83 29 20	Hex.socket hd screw M10X60-A4-100	1	1	1	1
79	680 37 00	Insert ring LT 60Hz LT 50Hz	1	1	1	1
79	693 04 00	Insert ring SH 50Hz SH 60Hz	1	1	1	1
79	680 36 00	Insert ring MT 50Hz MT 60Hz MT 60Hz 1-phase	1	1	1	1
86	769 78 00	Insert ring	1	1	1	1
94	82 83 40	G-ring DIAM=325;T=16 SBR	1	1	1	1
116	416 13 00	Plate			1	
121	83 03 23	Hex.socket hd screw M10X25-A4-70	2	2	2	2
122	433 56 00	Cover	1	1	1	1
123	647 99 00	Gasket SH LT MT	1	1	1	1
123	647 99 01	Gasket SH LT MT	1	1	1	1
137	726 37 00	Caution label				1

3102.760/770/960/970

Pos. No	Part. No	Denomination	Qty/Version			
			760	770	960	970
63	439 41 02	Sleeve	1	1	1	1
64	774 57 02	Impeller unit	1	1	1	1
64	774 57 12	Impeller unit	1	1	1	1
64	774 57 22	Impeller unit	1	1	1	1
64	774 57 32	Impeller unit	1	1	1	1
64	774 57 42	Impeller unit	1	1	1	1
64	774 57 45	Impeller unit	1	1	1	1
67	303 24 20	Pump housing	1	1	1	1
67	303 24 21	Pump housing	1	1	1	1
67	303 24 25	Pump housing	1	1	1	1
67	303 24 20	Pump housing	1		1	
70	338 13 08	Plain washer	1	1	1	1
72	83 29 20	Hex.socket hd screw M10X60-A4-100	1	1	1	1
77	81 49 12	Hexagon head screw M12X35-A4-70	4	4		
79	680 36 00	Insert ring	1	1	1	1
116	416 13 00	Plate			1	
121	83 03 23	Hex.socket hd screw M10X25-A4-70	2	2	2	2
122	433 56 00	Cover	1	1	1	1
123	647 99 00	Gasket	1	1	1	1
123	647 99 01	Gasket	1	1	1	1
137	726 37 00	Caution label				1

3102.170/890

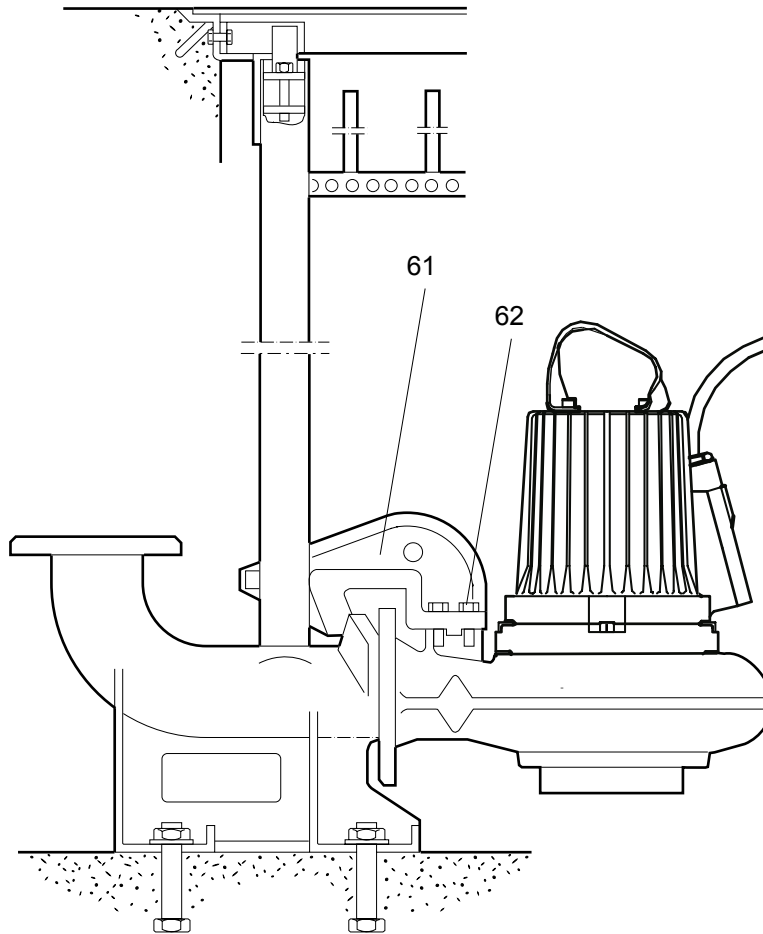
Pos. No	Part. No	Denomination	Qty/Version	
			170	890
58	82 74 90	O-ring 184.3X5.7 NBR	1	1
60	379 79 03	Plain washer 151X172X11	1	1
60	379 79 04	Plain washer 124X172X11	1	1
60	379 79 02	Plain washer 157X172X11	1	1
60	379 79 07	Plain washer	1	1
63	439 41 00	Sleeve	1	1
64	486 54 01	Impeller	1	1
64	486 54 02	Impeller	1	1
64	486 54 03	Impeller	1	1
64	486 54 07	Impeller	1	1

Pos. No	Part. No	Denomination	Qty/Version	
			170	890
64	486 48 01	Impeller HT 60Hz Curve code. 262	1	1
64	486 54 06	Impeller HT 60Hz Curve code. 263	1	1
64	486 54 08	Impeller HT 60Hz Curve code. 267 HT 60Hz 1-phase Curve code. 267	1	1
66	486 47 00	Cutter wheel	1	1
67	486 51 02	Pump housing LT M DN 50 ISO G2 Installation: F LT M DN 50 2-11 1/2 NPT Installation: F	1	1
67	486 51 01	Pump housing LT M DN 50 Sliding bracket Installation: P	1	1
67	464 00 00	Pump housing HT M DN 40 ISO G 1 1/2 Installation: F HT M DN 40 1 1/2-11 1/2 NPT Installation: F	1	1
67	464 00 01	Pump housing HT M DN 40 Sliding bracket Installation: P	1	1
68	486 42 00	Cutting ring LT 50Hz LT 60Hz LT 60Hz 1-phase	1	1
68	508 67 00	Cutting ring HT 50Hz HT 60Hz HT 60Hz 1-phase	1	1
68	444 88 00	Cutting ring HT 60Hz	1	1
69	83 02 73	Hex.socket hd screw M6X12-A4-70	3	3
70	486 43 00	Sleeve	1	1
72	83 29 20	Hex.socket hd screw M10X60-A4-100	1	1

Installation Components

CP/NP

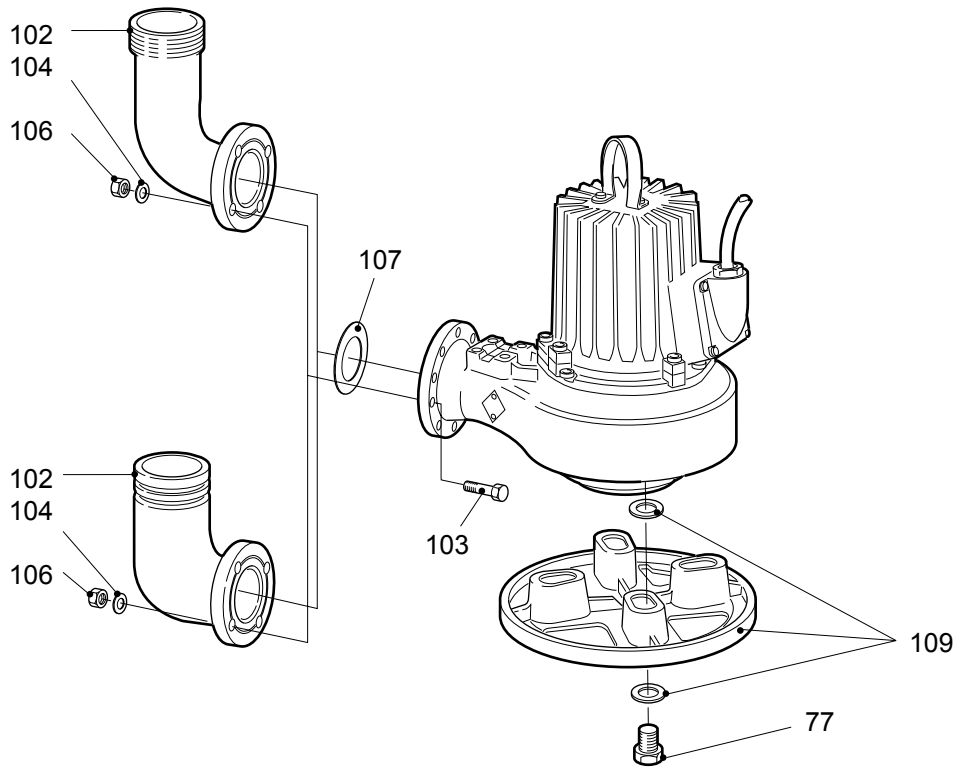
CP/NP 3102



302765

CS/NS

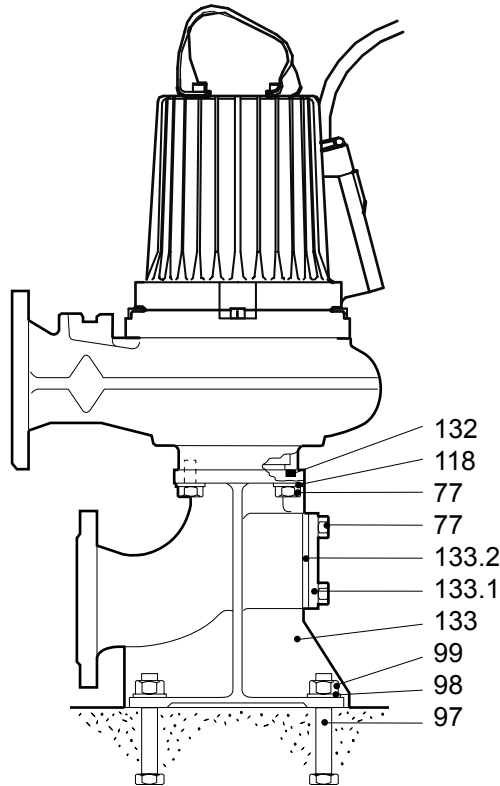
CS/NS 3102



30250

CT/NT

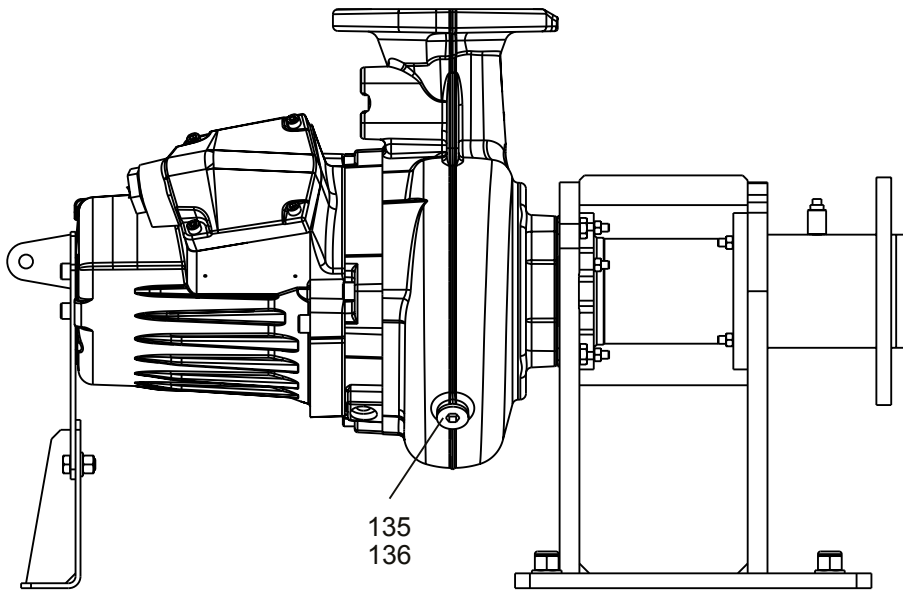
CT/NT 3102 MT



30277

CZ/NZ

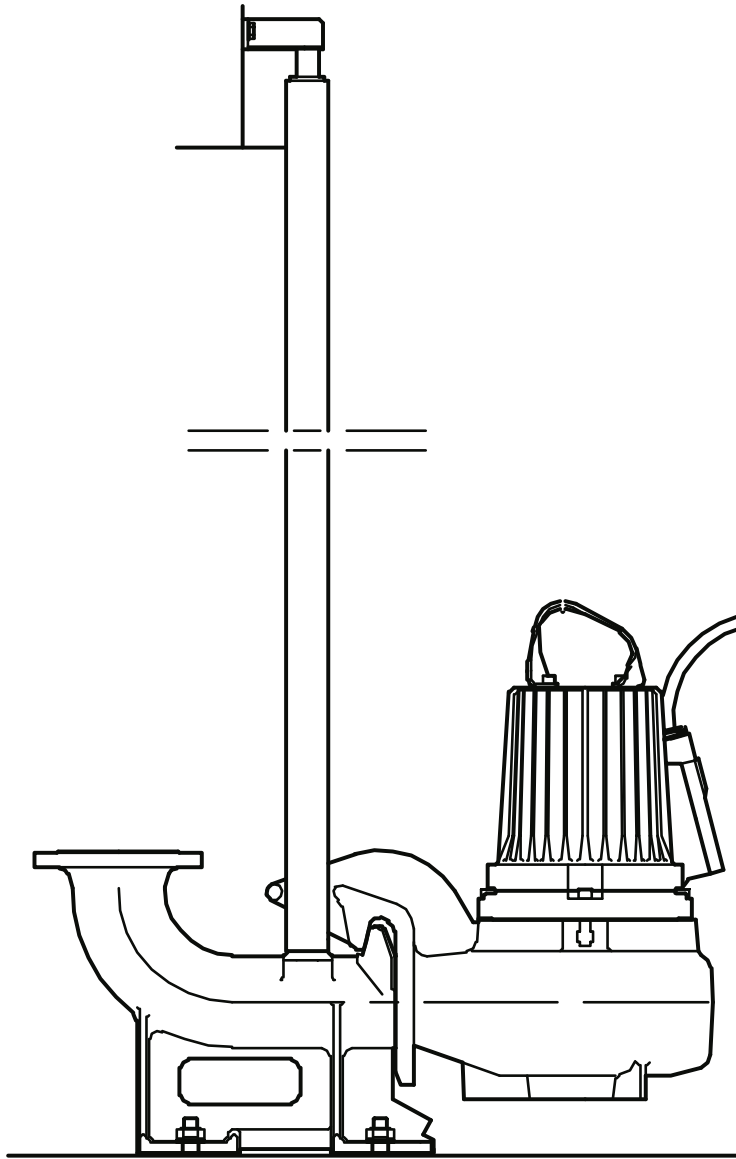
CZ/NZ 3102



31499

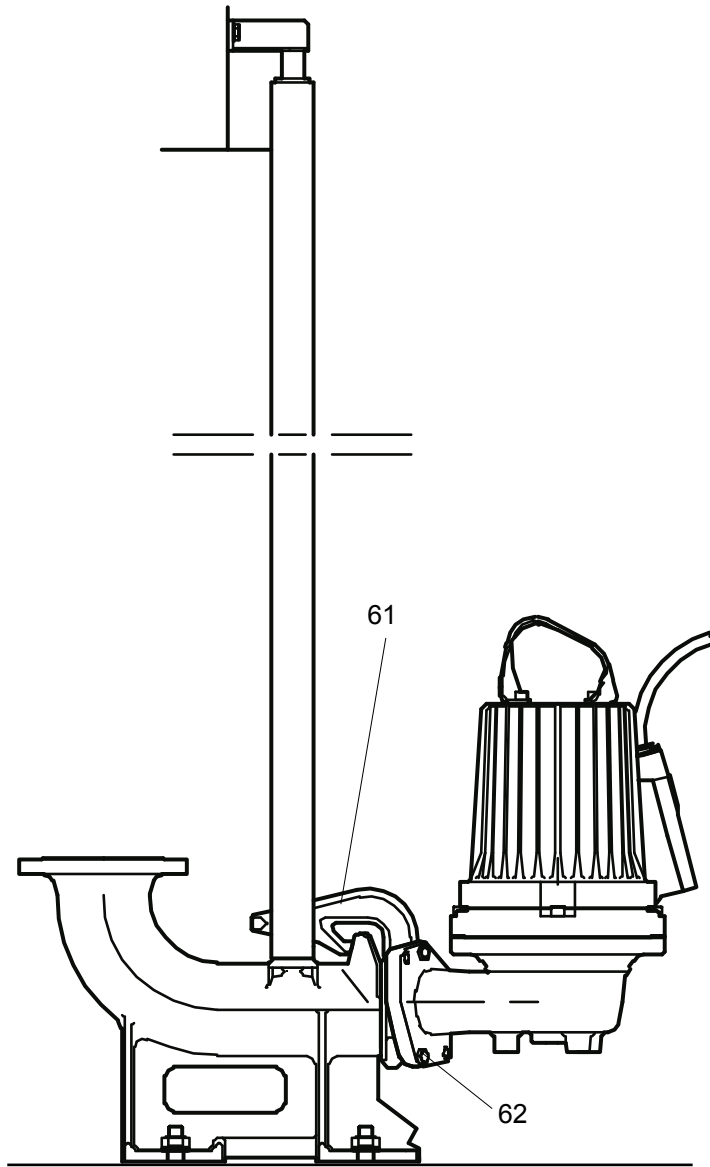
DP

DP 3102 MT



31069

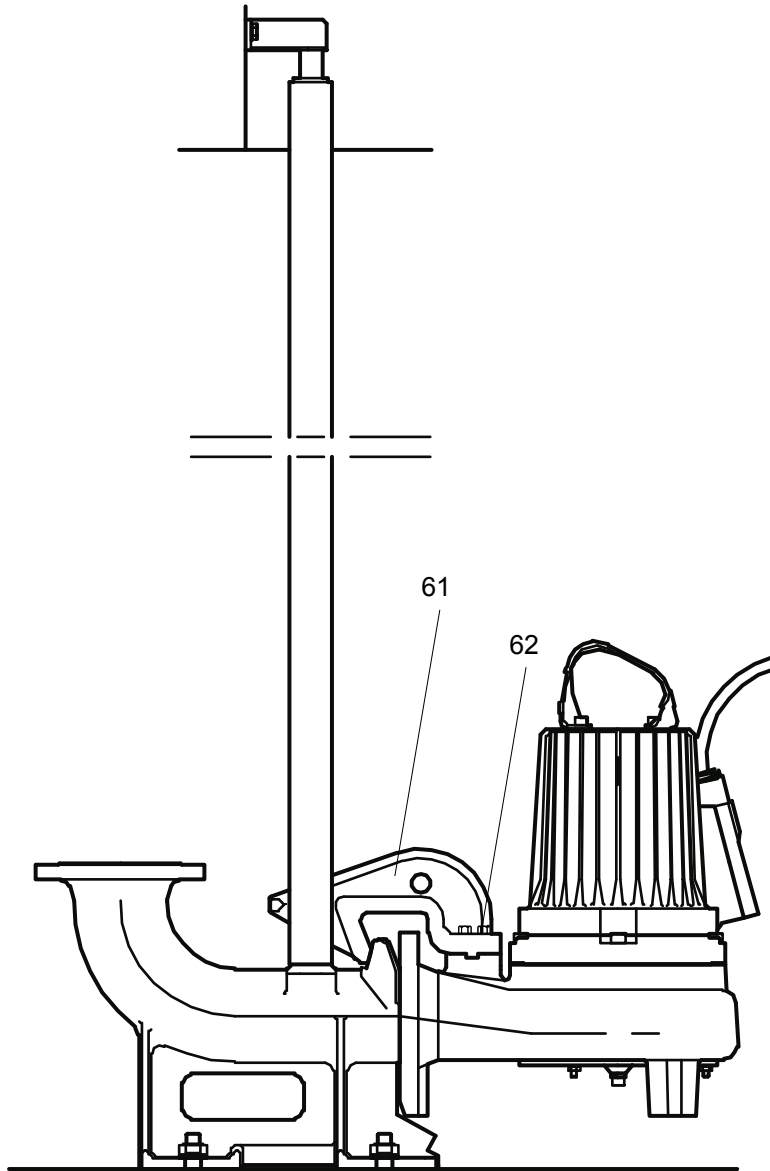
DP 3102 HT



31070

FP

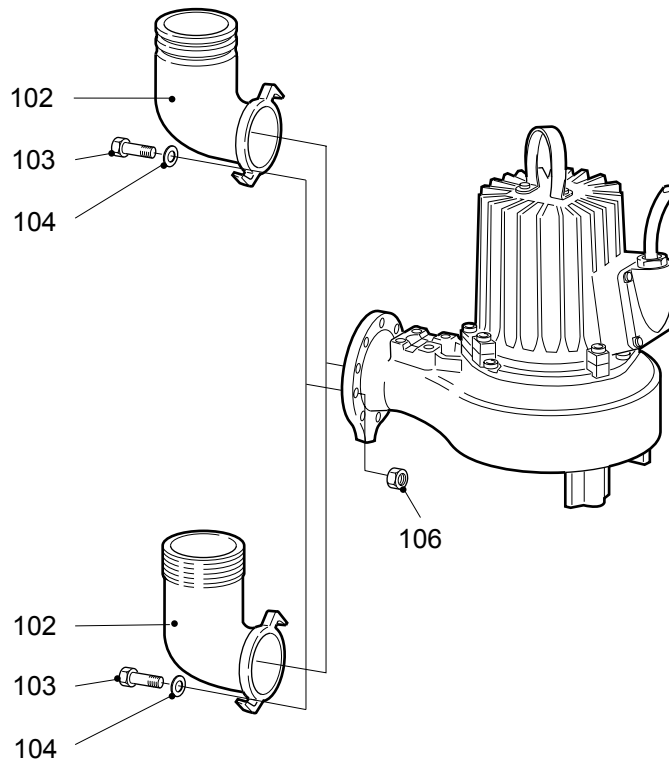
FP 3102



31071

FS

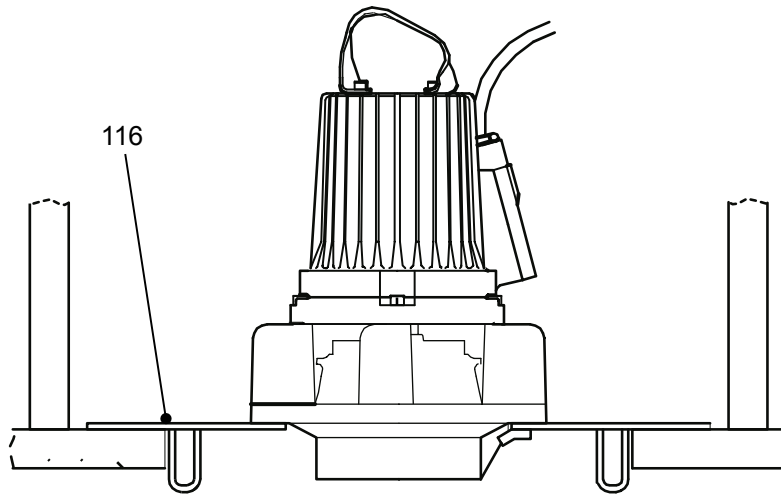
FS 3102 LT



30251

LL/NL

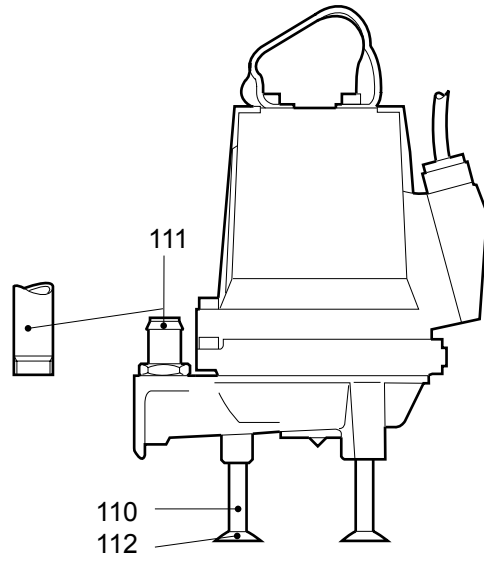
LL/NL 3102



30756

MF

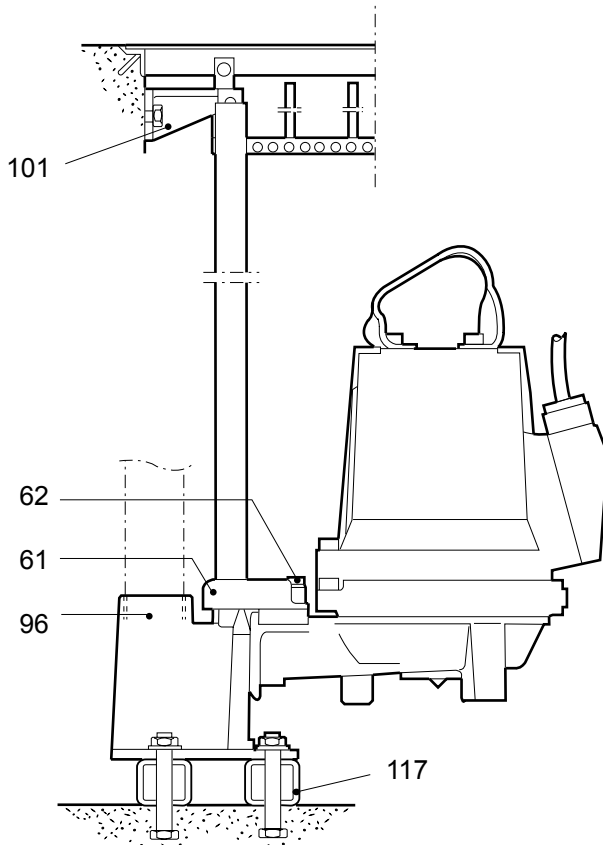
MF 3102.170/890



30283

MP

MP 3102.170/890



30284

3102.090/181/800/810

Pos. No	Part. No	Denomination	Qty/Version			
			090	181	800	810
61	398 93 00	Sliding bracket	1	1		
		MT HT Hydraulic: D				
61	380 91 00	Sliding bracket	1	1	1	1
62	83 04 53	Hex.socket hd screw M12X45-A4-80	4	4	4	4
77	81 49 12	Hexagon head screw M12X35-A4-70	4	4	4	4
		MT SH HT LT				
77	81 41 81	Hexagon head screw M16X40-A4-70	4	4	4	4
		LT				
97	84 34 38	Hexagon head screw M20X120-A2-70	4	4	4	4
98	82 35 26	Plain washer 20-A2-A-170	4	4	4	4
99	82 23 62	Hexagon nut M20-A2-70	4	4	4	4
102	310 03 01	Discharge connection	1	1	1	1
		SH DN 75				
102	385 52 03	Discharge connection 3-8 NPSM	1	1	1	1
		SH Thread : 3-8 NPSM Outer DN 75				
102	385 52 04	Discharge connection ISO G3	1	1	1	1
		SH Thread : ISO-G3A Outer DN 75				
		HT Thread : ISO-G3A Outer Quick coupling: Storz DN 75				
102	259 82 04	Discharge connection	1	1	1	1
		MT DN 100				
		LT DN 100				
102	259 84 05	Discharge connection	1	1	1	1
		MT Thread : 4-8 NPSM Outer DN 100				
		LT Thread : 4-8 NPSM Outer DN 100				
102	259 84 06	Discharge connection	1	1	1	1
		LT MT Thread : ISO G4A Outer Quick coupling: Storz DN 100				
		MT Thread : ISO G4A Outer DN 100				
		LT Thread : ISO G4A Outer DN 100				
		MT Thread : ISO G4A Outer Quick coupling: Storz DN 100				
102	295 57 00	Discharge connection	1	1	1	1
		LT DN 150				
102	309 31 00	Discharge connection	1	1	1	1
		LT Thread : 6-8 NPSM Outer DN 150				
102	309 31 01	Discharge connection	1	1	1	1
		LT Thread : ISO G6A Outer DN 150				
102	391 40 00	Discharge connection	1	1		
		Hydraulic: F DN 100				
102	391 41 00	Discharge connection	1	1		
		Manure Hydraulic: F Thread: 4-8 NPSM Outer DN 100				
103	81 49 35	Hexagon head screw M16X60-A4-70	4	4	4	4
		SH				
		MT				
		LT				
103	81 49 36	Hexagon head screw M16X65-A4-70	4	4	4	4
		Optional				
		SH				
		HT				
103	81 49 60	Hexagon head screw M20X70-A4-70	8	8	8	8
		LT				
103	81 49 39	Hexagon head screw M16X80-A4-70	2	2		
103	81 49 36	Hexagon head screw M16X65-A4-70		2	2	
		Optional				
		SH				
		HT				
104	82 35 78	Plain washer 16-A4-A-170	4	4	4	4
		SH				
		MT				
		LT				
104	82 37 29	Plain washer 16-200 HV-FZB	2	2		

Pos. No	Part. No	Denomination	Qty/Version			
			090	181	800	810
106	82 23 37	Hexagon nut M16-A4-70	4	4	4	4
		SH				
		MT				
		LT				
		HT				
106	82 23 38	Hexagon nut M20-A4-70	8	8	8	8
106	82 23 37	Hexagon nut M16-A4-70	2	2		
		SH				
		MT				
		LT				
		HT				
106	82 23 61	Hexagon nut M16-A2-70		2	2	
107	310 05 00	Gasket 3"	1	1	1	1
		SH				
		HT				
107	259 83 00	Gasket 4"	1	1	1	1
		MT				
		LT				
107	295 64 00	Gasket 6"	1	1	1	1
109	436 94 00	Stand unit	1	1	1	1
		SH				
		MT				
		LT				
		HT				
109	436 94 01	Stand unit	1	1	1	1
		LT				
111	83 19 33	Coupling part	1	1	1	1
		MT Quick coupling: Storz DN 100				
111	83 19 34	Coupling part	1	1	1	1
		LT MT Quick coupling: Storz DN 100				
111	83 18 46	Coupling part	1	1	1	1
		HT Quick coupling: Storz DN 75				
111	83 18 28	Coupling part		1	1	
		Optional				
116	416 13 00	Plate		1	1	
118	82 35 77	Plain washer 12-A4-170HV	4	4	4	4
		MT SH HT				
118	82 35 78	Plain washer 16-A4-A-170	4	4	4	4
		LT				
132	82 74 17	O-ring 124.3X5.7-NBR	1	1	1	1
132	82 74 86	O-ring 164.3X5.7 NBR	1	1	1	1
133	303 72 00	Suction connection STATIONARY	1	1	1	1
		Undrilled MT SH HT DN 100				
133,1	81 49 06	Hexagon head screw M12X30-A4-70	4	4	4	4
133,2	303 76 00	Cleaning door	1	1	1	1
133,3	303 77 00	Gasket	1	1	1	1
133	303 72 01	Suction connection STATIONARY	1	1	1	1
		MT SH HT Drilled according to : EN 1092-2 tab. 9 DN 100				
133,1	81 49 06	Hexagon head screw M12X30-A4-70	4	4	4	4
133,2	303 76 00	Cleaning door	1	1	1	1
133,3	303 77 00	Gasket	1	1	1	1
133	303 72 05	Suction connection	1	1	1	1
		MT SH HT Drilled according to : ANSI B16.1-89; tab.5 DN 100				
133,1	81 49 06	Hexagon head screw M12X30-A4-70	4	4	4	4
133,2	303 76 00	Cleaning door	1	1	1	1
133,3	303 77 00	Gasket	1	1	1	1
133	303 85 00	Suction connection STATIONARY	1	1	1	1
		Undrilled LT DN 150				
133,1	303 87 00	Cleaning door	1	1	1	1

Pos. No	Part. No	Denomination	Qty/Version			
			090	181	800	810
133,2	303 88 00	Gasket	1	1	1	1
133,3	81 41 81	Hexagon head screw M16X40-A4-70	4	4	4	4
133	303 85 06	Suction connection STATIONARY LT Drilled according to : EN 1092-2 tab. 9 DN 150	1	1	1	1
133,1	303 87 00	Cleaning door	1	1	1	1
133,2	303 88 00	Gasket	1	1	1	1
133,3	81 41 81	Hexagon head screw M16X40-A4-70	4	4	4	4
134	554 30 14	Starter	1	1	1	1
134	554 30 04	Starter	1	1	1	1
135	80 14 41	Gasket	1	1	1	1
		LT				
		MT				
		SH				
135	80 14 41	Gasket	2	2	2	2
		LT				
		MT				
		SH				
136	80 14 39	Plug	1	1	1	1
		LT				
		MT				
		SH				
136	80 14 39	Plug	2	2	2	2
		LT				
		MT				
		SH				
169	667 40 00	Sticker	2	2	2	2

3102.095/185/820/830

Pos. No	Part. No	Denomination	Qty/Version			
			095	185	820	830
61	380 91 00	Sliding bracket	1	1	1	1
62	83 04 53	Hex.socket hd screw M12X45-A4-80	4	4	4	4
77	81 49 12	Hexagon head screw M12X35-A4-70	4	4	4	4
		MT				
		HT				
		SH				
		LT				
77	81 41 81	Hexagon head screw M16X40-A4-70	4	4	4	4
97	84 34 38	Hexagon head screw M20X120-A2-70	4	4	4	4
98	82 35 26	Plain washer 20-A2-A-170	4	4	4	4
99	82 23 62	Hexagon nut M20-A2-70	4	4	4	4
102	310 03 01	Discharge connection	1	1	1	1
		SH DN 75				
102	385 52 03	Discharge connection 3-8 NPSM	1	1	1	1
		SH Thread : 3-8 NPSM Outer DN 75				
102	385 52 04	Discharge connection ISO G3	1	1	1	1
		HT Thread : ISO-G3A Outer DN 75				
		SH Thread : ISO-G3A Outer DN 75				
102	259 82 04	Discharge connection	1	1	1	1
		MT DN 100				
		LT DN 100				
102	259 84 05	Discharge connection	1	1	1	1
		LT Thread : 4-8 NPSM Outer DN 100				
		MT Thread : 4-8 NPSM Outer DN 100				

Pos. No	Part. No	Denomination	Qty/Version			
			095	185	820	830
102	259 84 06	Discharge connection MT Thread : ISO G4A Outer DN 100 LT Thread : ISO G4A Outer DN 100 MT Thread : ISO G4A Outer Quick coupling: Storz DN 100 LT MT Thread : ISO G4A Outer DN 100	1	1	1	1
102	295 57 00	Discharge connection LT DN 150	1	1	1	1
102	309 31 00	Discharge connection LT Thread : 6-8 NPSM Outer DN 150	1	1	1	1
102	309 31 01	Discharge connection LT Thread : ISO G6A Outer DN 150	1	1	1	1
103	81 49 35	Hexagon head screw M16X60-A4-70 MT SH LT	4	4	4	4
103	81 49 36	Hexagon head screw M16X65-A4-70 HT SH Optional	4	4	4	4
103	81 49 60	Hexagon head screw M20X70-A4-70 LT	8	8	8	8
103	81 49 36	Hexagon head screw M16X65-A4-70 HT SH Optional		2	2	
104	82 35 78	Plain washer 16-A4-A-170	4	4	4	4
106	82 23 37	Hexagon nut M16-A4-70 MT HT SH LT	4	4	4	4
106	82 23 38	Hexagon nut M20-A4-70 LT	8	8	8	8
106	82 23 61	Hexagon nut M16-A2-70 Optional		2	2	
107	310 05 00	Gasket 3" HT SH	1	1	1	1
107	259 83 00	Gasket 4" MT LT	1	1	1	1
107	295 64 00	Gasket 6" LT	1	1	1	1
109	436 94 00	Stand unit MT HT SH LT	1	1	1	1
109	436 94 01	Stand unit LT	1	1	1	1
111	83 19 33	Coupling part MT Quick coupling: Storz DN 100	1	1	1	1
111	83 19 34	Coupling part LT MT Thread : ISO G4A Outer DN 100		1	1	
111	83 18 46	Coupling part HT Thread : ISO-G3A Outer DN 75		1	1	
111	83 18 28	Coupling part Optional		1	1	
116	416 13 00	Plate			1	
118	82 35 77	Plain washer 12-A4-170HV MT SH HT	4	4	4	4
118	82 35 78	Plain washer 16-A4-A-170 LT	4	4	4	4
132	82 74 17	O-ring 124.3X5.7-NBR	1	1	1	1
132	82 74 86	O-ring 164.3X5.7 NBR	1	1	1	1
133	303 72 00	Suction connection STATIONARY Undrilled MT SH HT DN 100	1	1	1	1

Pos. No	Part. No	Denomination	Qty/Version			
			095	185	820	830
	133,1 81 49 06	Hexagon head screw M12X30-A4-70	4	4	4	4
	133,2 303 76 00	Cleaning door	1	1	1	1
	133,3 303 77 00	Gasket	1	1	1	1
133	303 72 01	Suction connection STATIONARY Optional MT SH HT Drilled according to : EN 1092-2 tab. 9 DN 100	1	1	1	1
	133,1 81 49 06	Hexagon head screw M12X30-A4-70	4	4	4	4
	133,2 303 76 00	Cleaning door	1	1	1	1
	133,3 303 77 00	Gasket	1	1	1	1
133	303 72 05	Suction connection Optional MT SH HT Drilled according to : ANSI B16.1-89; tab.5 DN 100	1	1	1	1
	133,1 81 49 06	Hexagon head screw M12X30-A4-70	4	4	4	4
	133,2 303 76 00	Cleaning door	1	1	1	1
	133,3 303 77 00	Gasket	1	1	1	1
133	303 85 00	Suction connection STATIONARY Undrilled Optional LT DN 150	1	1	1	1
	133,1 303 87 00	Cleaning door	1	1	1	1
	133,2 303 88 00	Gasket	1	1	1	1
	133,3 81 41 81	Hexagon head screw M16X40-A4-70	4	4	4	4
133	303 85 06	Suction connection STATIONARY Optional LT Drilled according to : EN 1092-2 tab. 9 DN 150	1	1	1	1
	133,1 303 87 00	Cleaning door	1	1	1	1
	133,2 303 88 00	Gasket	1	1	1	1
	133,3 81 41 81	Hexagon head screw M16X40-A4-70	4	4	4	4
134	554 30 14	Starter	1	1	1	1
134	554 30 04	Starter Supply connection: CEE 5-Pole 16A	1	1	1	1
135	80 14 41	Gasket MT LT SH	1	1	1	1
135	80 14 41	Gasket MT LT SH	1	2	2	2
135	80 14 41	Gasket MT LT SH	2	2	2	2
136	80 14 39	Plug MT LT SH	1	1	1	1
136	80 14 39	Plug MT LT SH	1	2	2	2
136	80 14 39	Plug MT LT SH	2	2	2	2
169	667 40 00	Sticker	2	2	2	2

3102.160/190/900/910

Pos. No	Part. No	Denomination	Qty/Version			
			160	190	900	910
61	380 91 00	Sliding bracket	1	1	1	1
62	83 04 53	Hex.socket hd screw M12X45-A4-80	4	4	4	4
77	81 49 12	Hexagon head screw M12X35-A4-70	4	4	4	4
77	81 41 81	Hexagon head screw M16X40-A4-70	4	4	4	4
77	81 49 12	Hexagon head screw M12X35-A4-70	4		4	
97	84 34 38	Hexagon head screw M20X120-A2-70	4	4	4	4
98	82 35 26	Plain washer 20-A2-A-170	4	4	4	4
99	82 23 62	Hexagon nut M20-A2-70	4	4	4	4
102	310 03 01	Discharge connection	1	1	1	1
102	385 52 03	Discharge connection 3-8 NPSM	1	1	1	1
102	385 52 04	Discharge connection ISO G3	1	1	1	1
102	259 82 04	Discharge connection	1	1	1	1
102	259 84 05	Discharge connection	1	1	1	1
102	259 84 06	Discharge connection	1	1	1	1
102	295 57 00	Discharge connection	1	1	1	1
102	309 31 00	Discharge connection	1	1	1	1
102	309 31 01	Discharge connection	1	1		
102	259 84 06	Discharge connection	1		1	
103	81 49 35	Hexagon head screw M16X60-A4-70	4	4	4	4
103	81 49 36	Hexagon head screw M16X65-A4-70	4	4	4	4
103	81 49 60	Hexagon head screw M20X70-A4-70	8	8	8	8
103	81 49 35	Hexagon head screw M16X60-A4-70	4		4	
103	81 49 36	Hexagon head screw M16X65-A4-70	2		2	
104	82 35 78	Plain washer 16-A4-A-170	4	4	4	4
104	82 35 78	Plain washer 16-A4-A-170	4		4	

Pos. No	Part. No	Denomination	Qty/Version			
			160	190	900	910
106	82 23 37	Hexagon nut M16-A4-70 MT SH LT	4	4	4	4
106	82 23 38	Hexagon nut M20-A4-70 LT	8	8	8	8
106	82 23 37	Hexagon nut M16-A4-70 MT SH LT	4		4	
106	82 23 61	Hexagon nut M16-A2-70 Optional	2		2	
107	310 05 00	Gasket 3" SH	1	1	1	1
107	259 83 00	Gasket 4" LT MT	1	1	1	1
107	295 64 00	Gasket 6" LT	1	1	1	1
107	259 83 00	Gasket 4" LT MT	1		1	
109	436 94 00	Stand unit SH LT MT	1	1	1	1
109	436 94 01	Stand unit LT	1	1	1	1
109	436 94 00	Stand unit SH LT MT	1		1	
111	83 19 33	Coupling part MT Quick coupling: Storz	1	1	1	1
111	83 19 34	Coupling part LT MT Quick coupling: Storz	1		1	
111	83 18 28	Coupling part Optional	1		1	
116	416 13 00	Plate	1			
118	82 35 77	Plain washer 12-A4-170HV MT SH HT	4	4	4	4
118	82 35 78	Plain washer 16-A4-A-170 LT	4	4	4	4
132	82 74 17	O-ring 124.3X5.7-NBR	1	1	1	1
132	82 74 86	O-ring 164.3X5.7 NBR	1	1	1	1
133	303 72 00	Suction connection STATIONARY Undrilled MT SH HT DN 100	1	1	1	
	133,1 81 49 06	Hexagon head screw M12X30-A4-70	4	4	4	
	133,2 303 76 00	Cleaning door	1	1	1	
	133,3 303 77 00	Gasket	1	1	1	
133	303 72 01	Suction connection STATIONARY MT SH HT Drilled according to : EN 1092-2 tab. 9 DN 100	1	1	1	1
	133,1 81 49 06	Hexagon head screw M12X30-A4-70	4	4	4	4
	133,2 303 76 00	Cleaning door	1	1	1	1
	133,3 303 77 00	Gasket	1	1	1	1
133	303 72 05	Suction connection MT SH HT Drilled according to : ANSI B16.1-89; tab.5 DN 100	1	1	1	1
	133,1 81 49 06	Hexagon head screw M12X30-A4-70	4	4	4	4
	133,2 303 76 00	Cleaning door	1	1	1	1
	133,3 303 77 00	Gasket	1	1	1	1
133	303 85 00	Suction connection STATIONARY Undrilled LT DN 150	1	1	1	1
	133,1 303 87 00	Cleaning door	1	1	1	1
	133,2 303 88 00	Gasket	1	1	1	1
	133,3 81 41 81	Hexagon head screw M16X40-A4-70	4	4	4	4

Pos. No	Part. No	Denomination	Qty/Version			
			160	190	900	910
133	303 85 06	Suction connection STATIONARY	1	1	1	1
		LT Drilled according to : EN 1092-2 tab. 9 DN 150				
	133,1 303 87 00	Cleaning door	1	1	1	1
	133,2 303 88 00	Gasket	1	1	1	1
	133,3 81 41 81	Hexagon head screw M16X40-A4-70	4	4	4	4
134	554 30 14	Starter	1	1	1	1
134	554 30 04	Starter	1	1	1	1
		Supply connection: CEE 5-PLUG 16A				
135	80 14 41	Gasket	1	1	1	1
		MT				
		LT				
		SH				
135	80 14 41	Gasket	2	2	2	2
		MT				
		LT				
		SH				
136	80 14 39	Plug	1	1	1	1
		MT				
		LT				
		SH				
136	80 14 39	Plug	2	2	2	2
		MT				
		LT				
		SH				
169	667 40 00	Sticker			2	2
169	726 37 00	Caution label				1

3102.760/770/960/970

Pos. No	Part. No	Denomination	Qty/Version			
			760	770	960	970
61	380 91 00	Sliding bracket	1	1	1	1
62	83 04 53	Hex.socket hd screw M12X45-A4-80	4	4	4	4
77	81 49 12	Hexagon head screw M12X35-A4-70			4	4
97	84 34 38	Hexagon head screw M20X120-A2-70	4	4	4	4
98	82 35 26	Plain washer 20-A2-A-170	4	4	4	4
99	82 23 62	Hexagon nut M20-A2-70	4	4	4	4
102	259 82 04	Discharge connection	1	1	1	1
		MT DN 100				
102	259 84 06	Discharge connection	1	1	1	1
		MT Thread : ISO G4A Outer DN 100				
		MT Thread : ISO G4A Outer Quick coupling: Storz DN 100				
102	259 84 05	Discharge connection	1	1	1	1
		MT Thread : 4-8 NPSM Outer DN 100				
103	81 49 35	Hexagon head screw M16X60-A4-70	4	4	4	4
103	81 49 36	Hexagon head screw M16X65-A4-70	2		2	
104	82 35 78	Plain washer 16-A4-A-170	4	4	4	4
106	82 23 37	Hexagon nut M16-A4-70	4	4	4	4
		MT				
106	82 23 61	Hexagon nut M16-A2-70	2		2	
		Optional				
107	259 83 00	Gasket 4"	1	1	1	1
109	436 94 00	Stand unit	1	1	1	1
111	83 19 33	Coupling part	1	1	1	1
		MT Quick coupling: Storz DN 100				
111	83 18 28	Coupling part	1		1	
		Optional				

Pos. No	Part. No	Denomination	Qty/Version			
			760	770	960	970
116	416 13 00	Plate	1			
134	554 30 14	Starter	1	1	1	1
134	554 30 04	Starter	1	1	1	1
169	667 40 00	Sticker	2	2	2	2
169	726 37 00	Caution label				1

3102.170/890

Pos. No	Part. No	Denomination	Qty/Version	
			170	890
61	464 06 00	Sliding bracket FP "LT"; BP "HT"; DP "LT" LT DN 50 HT DN 40	1	1
61	464 06 01	Sliding bracket Prepared for Flush valve HT DN 40 Prepared for Flush valve LT DN 50	1	1
62	83 04 53	Hex.socket hd screw M12X45-A4-80	2	2
96	486 55 00	Discharge connection IN/OUT 50/50 MM Elevated LT HT Thread : ISO G2A Inner DN 50 LT HT Thread : ISO G2A Inner DN 50	1	1
96	486 55 01	Discharge connection IN/OUT 50/50 MM LT HT Thread : NPT 2-11 1/2 Inner DN 50 Elevated LT HT Thread : NPT 2-11 1/2 Inner DN 50	1	1
96	619 95 00	Discharge con.stat. IN/OUT 50/50 MM TOP 50 TOP 65 LT HT Thread : ISO G2A Inner DN 50	1	1
96	619 95 01	Discharge con.stat. IN/OUT 50/50 MM TOP 50 TOP 65 HT LT Thread : NPT 2-11 1/2 Inner DN 50	1	1
101	669 77 00	Guide bracket unit SS	1	1
102	84 90 33	Elbow pipe MALLEABLE CAST IRON	1	1
110	398 95 00	Stud	3	3
111	505 43 01	Nipple NPT 2 LT	1	1
111	505 43 00	Nipple NPT 1 1/2 HT	1	1
111	83 92 47	Coupling 524-124 HT	1	1
111	83 92 49	Coupling 532-132 LT	1	1
112	534 48 00	Foot complete	3	3
117	517 55 00	Distance pipe	2	2
126	495 27 00	Clip	1	1
127	495 26 00	Clip	1	1
128	81 55 59	Hexagon head screw M8X65-A4-70	1	1
129	82 23 32	Hexagon nut M8-A4-70	1	1
130	82 35 74	Plain washer 8-A4-170HV	1	1
134	554 30 14	Starter	1	1
134	554 30 04	Starter	1	1
169	667 40 00	Sticker	2	2

Service Parts

3102.090/181/800/810

Pos. No	Part. No	Denomination	Qty/Version			
			090	181	800	810
800	80 32 32	O-ring kits 40DGG	1	1	1	1
808	769 27 00	N-pump kit CURVE: 420 "N-LT"	1	1		
808	769 27 01	N-pump kit CURVE: 421 "N-LT"	1	1		
808	769 27 02	N-pump kit CURVE: 422 "N-LT"	1	1		
808	769 27 03	N-pump kit CURVE: 423 "N-LT"	1	1		
808	769 27 04	N-pump kit CURVE: 255 "N-SH"	1	1		
808	769 27 05	N-pump kit CURVE: 456 "N-SH"	1	1		
808	769 27 06	N-pump kit CURVE: 457 "N-SH"	1	1		
808	769 27 07	N-pump kit CURVE: 460 "N-MT"	1	1		
808	769 27 08	N-pump kit CURVE: 461 "N-MT"	1	1		
808	769 27 09	N-pump kit CURVE: 462 "N-MT"	1	1		
808	769 27 10	N-pump kit CURVE: 463 "N-MT"	1	1		
808	769 27 11	N-pump kit CURVE: 464 "N-MT"	1	1		
808	769 27 12	N-pump kit CURVE: 465 "N-MT"	1	1		
808	769 27 13	N-pump kit CURVE: 423 "N-LT"			1	1
808	769 27 14	N-pump kit CURVE: 460 "N-MT"			1	1
808	769 27 15	N-pump kit CURVE: 462 "N-MT"			1	1
808	769 27 16	N-pump kit CURVE: 464 "N-MT"			1	1
900	601 89 06	Basic repair kit	1	1	1	1
900	693 19 04	Basic repair kit	1	1	1	1
900	693 19 05	Basic repair kit	1	1	1	1
901	90 17 52	Oil ISO VG 32	1	1	1	1
904	457 89 00	Mounting tool	1	1	1	1

3102.095/185/820/830

Pos. No	Part. No	Denomination	Qty/Version			
			095	185	820	830
800	80 32 32	O-ring kits 40DGG	1	1	1	1
900	601 89 06	Basic repair kit	1	1	1	1
900	693 19 04	Basic repair kit	1	1	1	1
900	693 19 05	Basic repair kit	1	1	1	1
901	90 17 52	Oil ISO VG 32	1	1	1	1
904	457 89 00	Mounting tool	1	1	1	1

3102.160/190/900/910

Pos. No	Part. No	Denomination	Qty/Version			
			160	190	900	910
800	80 32 32	O-ring kits 40DGG	1	1	1	1

Pos. No	Part. No	Denomination	Qty/Version			
			160	190	900	910
900	601 89 06	Basic repair kit	1	1	1	1
900	693 19 04	Basic repair kit	1	1	1	1
900	693 19 05	Basic repair kit	1	1	1	1
901	90 17 52	Oil ISO VG 32	1	1	1	1
904	457 89 00	Mounting tool	1	1	1	1

3102.760/770/960/970

Pos. No	Part. No	Denomination	Qty/Version			
			760	770	960	970
800	80 32 32	O-ring kits 40DGG	1	1	1	1
900	601 89 06	Basic repair kit	1	1	1	1
900	693 19 04	Basic repair kit	1	1	1	1
900	693 19 05	Basic repair kit	1	1	1	1
901	90 17 52	Oil ISO VG 32	1	1	1	1
904	457 89 00	Mounting tool	1	1	1	1

3102.170/890

Pos. No	Part. No	Denomination	Qty/Version	
			170	890
800	80 32 32	O-ring kits 40DGG	1	1
900	601 89 06	Basic repair kit	1	1
900	693 19 04	Basic repair kit	1	1
900	693 19 05	Basic repair kit	1	1
901	90 17 52	Oil ISO VG 32	1	1
904	457 89 00	Mounting tool	1	1