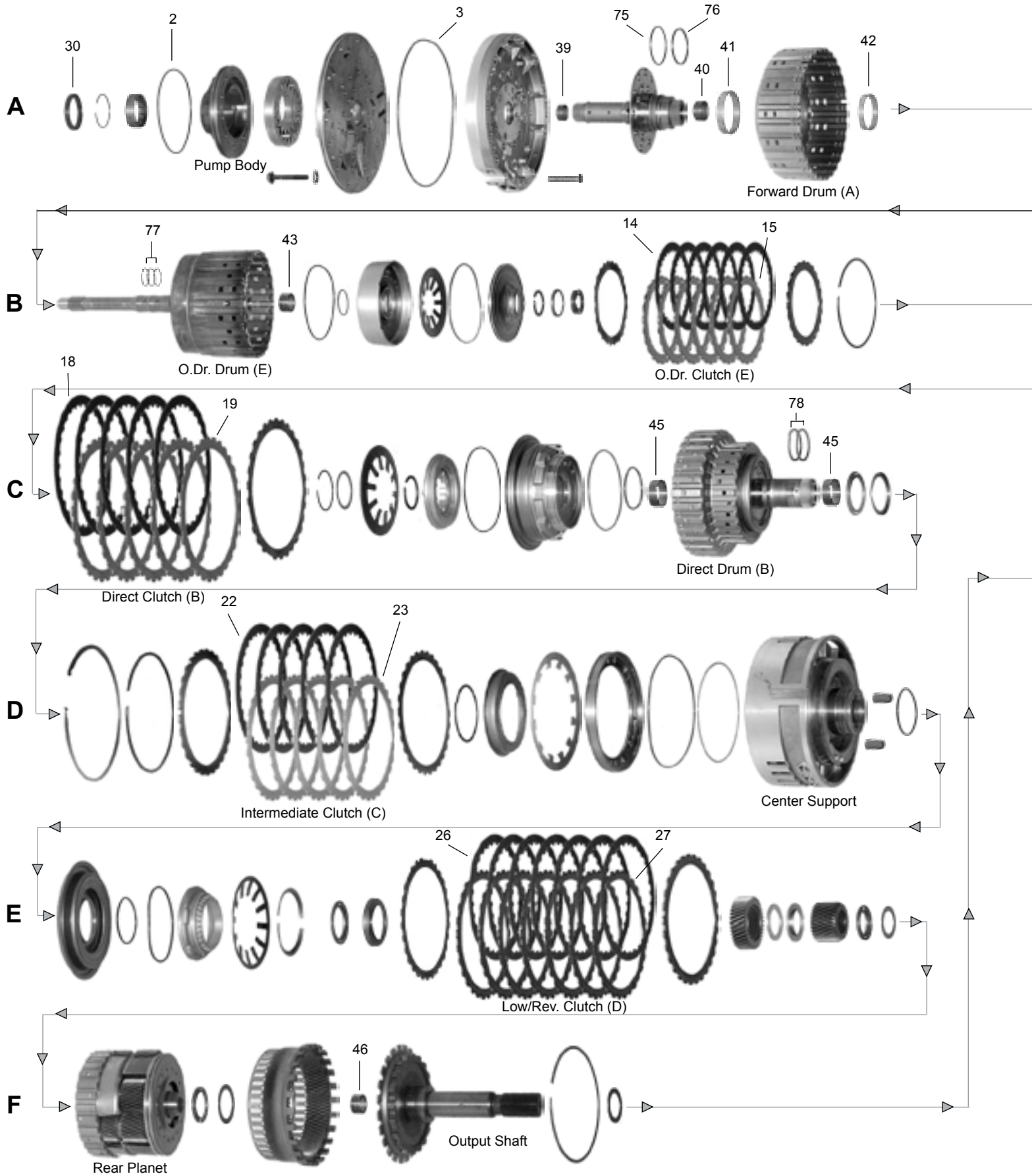
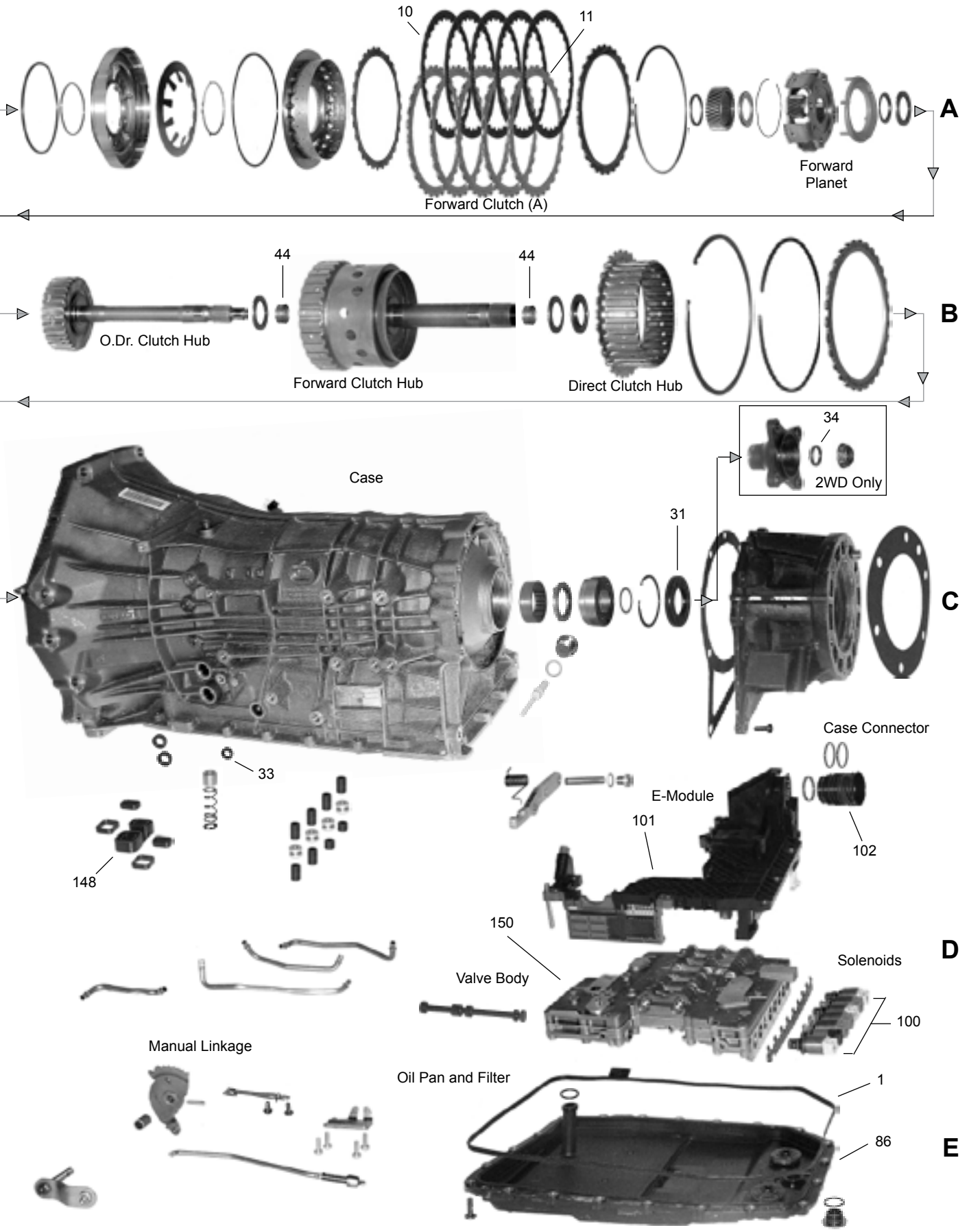


Ford 6R60/75/80 (ZF6HP26)

RWD 6 Speed





FORD 6R60/75/80 (ZF6-HP26/28/A61/X) 6-Spd

| ILL. NO. | PART NUMBER | PER CAR | DESCRIPTION | YEARS |
|---|---------------------------------|------------|--|--------------------|
| | TM6R60/75/80 | | Technical Manual (<i>For ZF Units See Technical Manual Section</i>)..... | 2006-On |
| REBUILDER BOX KITS | | | | |
| --- | K7900D-S | | Master Kit (w/o Steels)..... 6R60/75W | 2006-On |
| --- | K7900EG-S ¹ | | Master Kit (w/o Steels)..... ZF6-HP26 / X | 2002-On |
| --- | K7900EG-SDE ¹ | | Master Kit (w/o Steels) ZF6-HP26/28 / X | 2002-On |
| --- | K7900FG-S ¹ | | Master Kit (w/o Steels)..... ZF6-HP26A61/28AF (Audi AWD) | 2003-On |
| --- | K7900H-S | | Master Kit (w/o Steels)..... 6R80/W | 2008-On |
| Steel Plate Sub-Kits: | | | | |
| --- | K7900D-9 | | Steel Plate Kit..... 6R60 | 2006-08 |
| --- | K7900E-9 | | Steel Plate Kit..... ZF6 w/.118" "E" Steels, and 6R75/80 | 2002-On |
| --- | K7900EA-9 | | Steel Plate Kit..... ZF6 w/.095" "E" Steels | 2002-On |
| ¹ Bonded Valve Body Plates are not Included in Kits, please order below by I.D. Stamping Number as needed. | | | | |
| OVERHAUL KITS, GASKET SETS AND SEAL KITS | | | | |
| --- | K79900D | | Overhaul Kit..... 6R60/75W | 2006-08 |
| --- | K79900EG ¹ | | Overhaul Kit (German-Made Contents)..... ZF6-HP26/ X | 2002-On |
| --- | K79900EG-DE ¹ | | Overhaul Kit (German-Made Contents) ZF6-HP26/28/ X | 2002-On |
| --- | K79900FG ¹ | | Overhaul Kit (German-Made Contents)..... ZF6-HP26A61/28AF (Audi AWD) | 2003-On |
| --- | K79900H | | Overhaul Kit..... 6R80/W | 2008-On |
| GASKET AND RUBBER COMPONENTS | | | | |
| 1E | 79170DR | 1 | Oil Pan Gasket (Metal w/Rubber Seal)..... 6R60/75W/80/W | 2006-On |
| 1E | 79170E | 1 | Oil Pan Gasket (Paper, 21 Bolt Holes)..... ZF6 w/Metal Pan | 2002-On |
| 1E | 79170F | 1 | Oil Pan Gasket (Paper, 24 Bolt Holes) ZF6 w/Metal Pan (Audi AWD) | 2002-On |
| 1E | 79170ER | 1 | Oil Pan Gasket (Rubber Seal)..... ZF6 w/Plastic Pan | 2002-On |
| 2A | 79100D | 1 | Front Pump O'Ring (Small)..... | 2002-On |
| 3A | 79101D | 1 | Front Pump to Case O'Ring (Large)..... | 2002-On |
| --- | 79106D | 1 | Solenoid Screened Gasket..... | 2002-On |
| 5C | 79110H | 1 | Adapter Housing Gasket 4WD | 2008-On |
| --- | 79125D | 1-6 | EDS Rubber Dampers (In Valve Body) All | 2002-On |
| 6D | K79126D | 1 | Valve Body to Case Rubber Seals (4) All | 2002-On |
| --- | 79107D | 1 | Valve Body Plate (Beaded - 6 Damper Holes)..... 6R60/75W/80/W | 2006-11/09 |
| --- | 79107DB | 1 | Valve Body Plate (Beaded - 2 Damper Holes)..... 6R60/75W/80/W | 11/09-11/10 |
| --- | 79107DE | 1 | Valve Body Plate (Bonded - 6 Damper Holes)..... 6R60/75W/80/W | 11/10-On |
| --- | 79107E | 1 | Valve Body Plate (Bonded)..... ZF6 w/1068327180 Stamped Plate or VB Code A/B052 | '02-On |
| --- | 79107EA | 1 | Valve Body Plate (Bonded)..... ZF6 w/1068327141 Stamped Plate or VB Code A/B035 | '02-On |
| --- | 79107EB | 1 | Valve Body Plate (Bonded)..... ZF6 w/1068327145 or 179 Stamped Plate or A/B036/051 | '02-On |
| --- | 79107EC | 1 | Valve Body Plate (Bonded)..... ZF6 w/1068327163 Stamped Plate or VB Code A/B047 | '02-On |
| --- | 79107ED | 1 | Valve Body Plate (Bonded)..... ZF6 w/1068327189 Stamped Plate or VB Code A/B053 | '02-On |
| --- | 79107EE | 1 | Valve Body Plate (Bonded)..... ZF6 w/o Stamped Plate or VB Code A/B046 | '02-On |
| --- | 79107EF | 1 | Valve Body Plate (Bonded)..... ZF6 w/1068327210 Stamped Plate or VB Code A/B063 | '02-On |
| --- | 79107EG | 1 | Valve Body Plate (Bonded)..... ZF6 w/1068327224 Stamped Plate or VB Code A/B065 | '02-On |
| CLUTCH PLATES | | | | |
| 10A | 79304D | 4-5 | Forward (A) Friction (All)..... 30T, .062" - 7.370" O.D. | 2002-On |
| 11A | 79305DC | 4-5 | Forward (A) Steel (All)..... 30T, .118" - 6.450" I.D. | 2002-On |
| 14B | 79310D | 6-7 | Overdrive (E) Friction (ZF6 / 6R60/75W)..... 30T, .064" - 5.150" O.D. | 2002-On |
| 14B | 79310DA | 6 | Overdrive (E) Friction (6R80/W)..... 30T, .079" - 5.150" O.D. | 2008-On |
| 15B | 79311D | 7 | Overdrive (E) Steel (ZF6)..... 24T, .095" - 4.200" I.D. | 2002-On |
| 15B | 79311DA | 6 | Overdrive (E) Steel (ZF6 / 6R60/75W / 6R80/W)..... 24T, .118" - 4.200" I.D. | 2002-On |
| 18C | 79304DA | 4-5 | Direct (B) Friction (All)..... 30T, .082" - 7.370" O.D. | 2002-On |
| 19C | 79305D | 4-5 | Direct (B) Steel (All)..... 30T, .082" - 6.450" I.D. | 2002-On |
| 19C | 79305DH | 4-5 | Direct (B) Steel (Some) 30T, .072" - 6.450" I.D. | 2010-On |
| 22D | 79304DA | 4-5 | Intermediate (C) Friction (All)..... 30T, .082" - 7.370" O.D. | 2002-On |
| 23D | 79305DC | 4-5 | Intermediate (C) Steel (All)..... 30T, .118" - 6.450" I.D. | 2002-On |
| 26E | 79304D | 4-7 | Low/Reverse (D) Friction (All)..... 30T, .062" - 7.370" O.D. | 2002-On |
| 27E | 79305D | 4-7 | Low/Reverse (D) Steel (All)..... 30T, .082" - 6.450" I.D. | 2002-On |

FORD 6R60/75/80 (ZF6-HP26/28/A61/X) 6-Spd

| ILL. NO. | PART NUMBER | PER CAR | DESCRIPTION | YEARS |
|------------------------------------|-------------------|---------|--|---------|
| CLUTCH PLATES - Cont'd. | | | | |
| --- | K7900D-F | 1 | Friction Module6R60..... | 2006-08 |
| --- | K7900EG-F | 1 | Friction ModuleZF6 & 6R75..... | 2002-On |
| --- | K7900H-F | 1 | Friction Module6R80..... | 2008-On |
| --- | K79350HHP | 1 | Friction Module (Stage1 Exedy - 6R80)..... | 2008-On |
| METAL CLAD SEALS | | | | |
| 30A | 79526D | 1 | Front Pump..... | 2002-On |
| 31C | 79551D | 1 | Extension Housing (2WD)Exc. 6R80/W..... | 2002-On |
| 31C | 79551H | 1 | Extension Housing (2WD)6R80/W..... | 2009-On |
| 31C | 79553D | 1 | Adapter Seal (4WD)Exc. 6R80/W..... | 2002-On |
| 31C | 79553H | 1 | Adapter Seal (4WD)6R80W..... | 2009-On |
| 33C | 79507D | 1 | Manual Lever..... | 2002-On |
| 34C | 79552D | 1 | Yoke Spline..... | 2002-On |
| BUSHINGS | | | | |
| --- | K79980D | 1 | Bushing Assortment Kit6R60/75W..... | 2006-08 |
| --- | K79980E | 1 | Bushing Assortment KitZF6 / 6R80/W..... | 2002-On |
| --- | K79980EY | 1 | Bushing Assortment Kit (Omega)All..... | 2002-On |
| --- | K79980EDB | 1 | Bushing Assortment Kit (Durabaond - Coated)All..... | 2002-On |
| 38A | 79005HY | 1 | Pump Bushing (Replaces Factory Bearing, Omega)6R80/W - Not in Kits..... | 2008-10 |
| 38A | 79005HC | 1 | Pump Bushing.....6R80/W..... | 2011-On |
| 39A | 79001D | 1 | Stator Shaft (Front - .907" I.D.)6R60/75W..... | 2006-08 |
| 40A | 79002D | 1 | Stator Shaft (Rear - 1.100" I.D.)6R60/75W..... | 2006-08 |
| 40A | 79002E | 1 | Stator Shaft (Rear - 1.025" I.D.)ZF6..... | 2002-On |
| 40A | 79002H | 1 | Stator Shaft (Rear - 1.180" I.D.)ZF6 - 6R80/W..... | 2002-On |
| 41A | 79003D | 1 | Forward Drum (Front)All..... | 2002-On |
| 42A | 79004D | 1 | Forward Drum (Rear)All..... | 2002-On |
| 43B | 79006D | 1 | O/D Drum.....All..... | 2002-On |
| 44B | 79007D | 2 | Forward Clutch Hub (Front / Rear - .954" I.D.)Some..... | 2002-On |
| 44B | 79007E | 2 | Forward Clutch Hub (Front / Rear - .994" I.D.)Some..... | 2002-On |
| 45C | 79009D | 2 | Direct Drum (Front & Rear - 1.340" I.D.).....All..... | 2002-On |
| 46F | 79006D | 1 | Output Shaft.....All..... | 2006-On |
| THRUST WASHERS AND BEARINGS | | | | |
| --- | K79941D | 1 | Thrust Needle Bearing Kit6R60/75W..... | 2006-08 |
| --- | K79941E | 1 | Thrust Needle Bearing KitZF6..... | 2002-On |
| --- | K79941H | 1 | Thrust Needle Bearing Kit6R80/W..... | 2008-On |
| SEALING RINGS | | | | |
| --- | K79901D | 1 | Sealing Ring Kit.....6R60/75W..... | 2006-08 |
| --- | K79901E | 1 | Sealing Ring Kit.....ZF6..... | 2002-On |
| --- | K79901H | 1 | Sealing Ring Kit.....6R80/W..... | 2008-On |
| 75A | 79200DT | 1 | Front Pump Support (Large)All..... | 2002-On |
| 76A | 79201DT | 1 | Front Pump Support (Small).....All..... | 2002-On |
| 77B | 79202DT | 2 | Turbine Shaft (Teflon)6R60/75W..... | 2006-08 |
| 77B | 79202EP | 3 | Turbine Shaft (Plastic)ZF6..... | 2002-On |
| 77B | 79202HT | 3 | Turbine Shaft (Teflon)6R80/W..... | 2008-On |
| 78C | 79203DT | 2 | Direct Clutch.....All..... | 2002-On |
| TRANSMISSION OIL FILTERS | | | | |
| --- | 79600D | 1 | Oil Filter (Filter Only - Triangular Shape)6R60/75W..... | 2002-06 |
| --- | 79600D | 1 | Oil Filter (Filter Only - Triangular Shape) ...ZF6 w/Metal Pan (Exc Audi)..... | 2002-On |
| --- | 79600F | 1 | Oil Filter (Filter Only - Triangular Shape)Audi w/Metal Pan..... | 2002-On |
| 86E | K79600E | 1 | Plastic Oil Pan w/Integrated FilterZF6..... | 2002-On |
| 86E | K79600E-DE | 1 | "OEM ZF" Plastic Oil Pan w/Integrated FilterZF6..... | 2002-On |
| --- | 79600H | 1 | Oil Filter (Deep Pan - 1.500" Inlet - Square Shape) 6R60/75/80/W..... | L/06-On |
| --- | 79600HB | 1 | Oil Filter (Shallow Pan - 1.000" inlet - Square Shape) 6R80/W..... | 2008-On |
| --- | 79600HH | 1 | Oil Filter (O'Ring Neck Seal, Hybrid Units)6R80/W..... | 2012-On |

6R60 / 75 / 80 (ZF6)

FORD 6R60/75/80 (ZF6-HP26/28/A61/X) 6-Spd

| ILL. NO. | PART NUMBER | PER CAR | DESCRIPTION | YEARS |
|---|---------------------|----------|---|----------------|
| ELECTRONIC COMPONENTS | | | | |
| 6R60/75W80W Units: | | | | |
| 100D | K79879D | 1 | Solenoid Kit | 2006-10 |
| 100D | 79870D | 1 | TCC Solenoid Brown Connector | 2006-10 |
| 100D | 79870HB | 1 | TCC Solenoid Yellow Connector - Brown Body | 2010-On |
| 100D | 79870D | 1-2 | SSA & SSC Solenoids Brown Connector | 2006-10 |
| 100D | 79870HB | 1-2 | SSA & SSC Solenoids Yellow Connector - Brown Body | 2010-On |
| 100D | 79871D | 1-3 | SSB, SSD & PCA Solenoids Black Connector | 2006-10 |
| 100D | 79871HB | 1-3 | SSB, SSD & PCA Solenoids Yellow Connector - Black Body | 2010-On |
| 100D | 79879D | 1 | SSE Solenoid Yellow Connector | 2006-On |
| 101D | K79869D | 1 | Connector Plate (Includes: TISS, TOSS, TOT, PRNDL - Units w/TCM Bosch)..... | 2006-10 |
| 101D | K79869H | 1 | Connector Plate (Includes: TISS, TOSS, TOT, PRNDL - Units w/o TCM Siemens)..... | 2010-On |
| 102D | 79878A | 1 | Case Connector | 2006-On |
| ZF6 Units: | | | | |
| --- | K79879A | 1 | Solenoid Kit (Includes: (3) 79870A, (3) 79870B, (2) 79871A, K79871B & 79869B) | 2002-On |
| --- | K79879B | 1 | Solenoid Kit (Includes: (5) 79870A, 79870B & 79871A) | 2002-On |
| --- | K79879E | 1 | Solenoid Kit (Includes: (3) 79870A, (3) 79870B & 79871A) | 2002-On |
| --- | K79879F | 1 | Solenoid Kit (Includes: (3) 79870A, (2) 79870B & (2) 79870F)..... | 2002-On |
| --- | K79879FA | 1 | Solenoid Kit (Includes: (3) 79870A, (2) 79870B & (2) 79870F, 79871A, K79871B, 79869B) | 2002-On |
| 100D | 79870A | 3-5 | EDS Solenoid (.663" O.D. Solenoid O'Ring Land)..... Yellow | 2002-On |
| 100D | 79870B | 1-3 | EDS Solenoid (.641" O.D. Solenoid O'Ring Land)..... Blue | 2002-On |
| 100D | 79870F | 0-2 | EDS Solenoid (.721" O.D. Solenoid O'Ring Land)..... Orange | 2002-On |
| 100D | 79871A | 0-1 | MV1 Solenoid (Emergency Run Valve)..... Black | 2002-On |
| 100D | 79871A | 0-1 | MV2 Solenoid (Park Lock Valve - Energizes)..... Black | 2002-On |
| 100D | K79871B | 0-1 | MV3 Solenoid (Park Lock Valve - Operates)..... Green Top w/Park Cylinder/Rod | 2002-On |
| --- | 79869B | 0-1 | Wiring Harness (For Park Cylinder Units) | 2002-On |
| 101D | K79869A | 1 | E-Module/Connector Plate (Includes: TISS, TOSS, TOT, PRNDL Switch) | 2002-On |
| 102D | 79878A | 1 | Case Connector | 2002-On |
| --- | 79880A | 1 | Foam Strip (Between Solenoids and Plastic Connector Housing) | 2002-On |
| SHIFT ENHANCEMENTS AND MISCELLANEOUS | | | | |
| --- | K79943D | | Jr. Kit (TransGo, 6R60/75/80, Addresses: 42-46 MPH "TCC Quiver") | 2002-On |
| --- | ZF6-6R60-ZIP | | Zip-Kit (Sonnax, Fits ZF6HP26 & 6R60/75/80 - Drop-In Components, No Tools) | 2002-On |
| --- | ZF6-GEN2-ZIP | | Zip-Kit (Sonnax, Fits ZF6HP28 - Drop-In Components, No Tools Required) | 2002-On |
| --- | ZF6-053-ZIP | | Zip-Kit (Sonnax, Fits 053 VB Plate Only - Drop-In Components, No Tools Required) | 2002-On |
| Addresses: Critical Pressure Losses and Restores/Extends Accumulator Action. | | | | |
| --- | K79946E | 1 | Lock-up Shudder Repair Kit (TransGo) | 2002-On |
| --- | 79889E | 1 | Pressure Regulator Sleeve (Sonnax, Addresses: Harsh or Erratic Line) | 2002-On |
| --- | K79882E | 1 | Clutch "A" Control Boost Valve and Sleeve Kit (Sonnax) | 2002-On |
| Addresses: Delayed/Harsh Engagements, Flare 5-4 Downshift. | | | | |
| --- | K79788EW | 1 | VB End Plug Kit (Sonnax, 6 Large and 6 Small End Plugs, GEN1 w/12,13 & 17mm) | 2002-On |
| --- | K79788DW | 1 | VB Internal Plug Kit (Sonnax, 4 Internal Plugs, GEN1 w/.472" Plugs) | 2002-On |
| --- | K79788E | 1 | Sure-Seal VB End Plug Kit (Superior) | 2002-On |
| Addresses: OE End Plugs Leak Causing Low Circuit Pressures/Erratic Shifts/Codes. | | | | |
| --- | K79781E | 1 | Valve Body Accumulator Pistons and Springs Kit (Sonnax) | 2002-On |
| Addresses: Firms Upshifts and Downshifts and Engagements. | | | | |
| --- | 79781E | 1-6 | Valve Body Accumulator Piston (OEM ZF) | 2002-On |
| Valves Below Require Tools: | | | | |
| --- | K79989E | 1 | Oversized Pressure Regulator Valve Kit (Sonnax) | 2002-On |
| Addresses: Delayed/No Reverse and Poor Quality Shifts. Requires K79589E Tool Kit. | | | | |
| --- | K79886E | 1 | Oversized Solenoid Pressure Regulator Valve Kit (Sonnax) | 2002-On |
| Addresses: Wrong Gear Starts, Gear Ratio and Solenoid Codes Requires K79586E Tool Kit. | | | | |
| --- | K79887E | 1 | Oversized Bypass Clutch Control Valve Kit (Sonnax) | 2002-On |
| Addresses: Converter Overheat and Low TCC Release Pressure. Requires K79587E Tool Kit. | | | | |
| --- | K79883E | 1 | Oversized Converter Release Regulator Valve Kit (Sonnax) | 2002-On |
| Addresses: Excessive TCC Slip, Harsh Lockup Apply/Release. Requires K79583E Tool Kit. | | | | |
| --- | K79880E | 1 | Oversized Lubrication Control Valve Kit (Sonnax) | 2002-On |
| Addresses: Low Converter Pressure and Lube Failure. Requires K79580E Tool Kit. | | | | |
| --- | K79881E | 1 | Oversized Clutch A Control Valve Kit (Sonnax) | 2002-On |
| Addresses: Flare Upshift or Downshift Bind-ups. Requires K79581E Tool Kit. | | | | |
| --- | K79884E | 1-2 | Oversized Clutch D1 or E Control Valve Kit (Sonnax) | 2002-On |
| Addresses: Flare Upshift or Downshift Bind-ups. Requires K79581E Tool Kit. | | | | |

FORD 6R60 (ZF6-HP26/28, A61, X) 6-Speed A/RWD

| ILL. NO. | PART NUMBER | PER CAR | DESCRIPTION | YEARS |
|--|-------------|---------|---|---------|
| HARD PARTS AND MISCELLANEOUS | | | | |
| Note : When ordering Hard Parts, please add the appropriate suffix : (-R) Reman, (-U) Used, (-A) Aftermarket. | | | | |
| 112B | 79837HHP | 1 | O/D Cluch Hub/Intermediate Shaft (Billet High Perf.) ..6R80 | 2008-On |
| 148D | 79881EF | 1 | Mechatronic to Case Seal AdapterZF6 | 2002-On |
| --- | ZF6OIL | 1 | Lifeguard 6 OEM Oil (20 Litres/18.93 Quarts) | 2002-On |
| --- | ZF6OIL-1L | 1 | Lifeguard 6 OEM Oil (1 Litre) | 2002-On |
| OEM MECHATRONIC VALVE BODIES | | | | |
| Note : When ordering Hard Parts, please add the appropriate suffix : (-R) Reman, (-U) Used, (-A) Aftermarket. | | | | |
| 150D | Various | Note: | To purchase a Mechatronic Assembly (aka: Valve Body) for a ZF6, you will need the "STUECKL Number" from the tag on the side of the transmission case, Vin Number, Vehicle Year, Make and Model When being ordered. This will ensure that the correct assembly is ordered. The Mechatronic Assembly is Flashed (per VIN) and includes the Oil/Pan Filter. | |
| 150D | MECHA-976 | 1 | Mechatronic Valve Body..... 325i Coupe (02/2006 - 08/2007)and 335i Coupe (01/2007 - 08/2007) | Various |
| 150D | MECHA-973 | 1 | Mechatronic Valve Body..... 335xi, 335i (01/2007 - 08/2007) | Various |
| 150D | MECHA-980 | 1 | Mechatronic Valve Body..... 525i w/ (M25/B25MS), (N52/B25A) Enginesand 531i w/(M52/B30MS) Engine | Various |
| 150D | MECHA-974 | 1 | Mechatronic Valve Body..... All Z4 (2005 - On) And 325i/xi, 330i/xi, 525i/xi, 530i/xiw/(022-016/015) (012-085/086) (010-025) Transmission ID | Various |
| 150D | MECHA-341 | 1 | Mechatronic Valve Body..... 525i, 535i (01/2007 - On) | Various |
| 150D | MECHA-932 | 1 | Mechatronic Valve Body..... 545i/iA (2003-2005), 645ci (2004 - 08/2005) | Various |
| 150D | MECHA-936 | 1 | Mechatronic Valve Body..... 550i w/ 6hp26, and 645ci (12/2005 - 2007) | Various |
| 150D | MECHA-411 | 1 | Mechatronic Valve Body..... 550i w/ 6hp28 (09/2006 - 08/2007) | Various |
| 150D | MECHA-931 | 1 | Mechatronic Valve Body..... 745i/L/Li (2001-01/2003), 760i/L/Li (10/2002 - 02/2003) w/Transmission Code "118" | Various |
| 150D | MECHA-937 | 1 | Mechatronic Valve Body..... 745i/L/Li (02/2003 - 08/2003), 760i/L/Li (2002 - 08/2003) | Various |
| 150D | MECHA-997 | 1 | Mechatronic Valve Body..... 745i/L/Li (09/2003 - 02/2005), 760i/L/Li (09/2003 - 09/2004) | Various |
| 150D | MECHA-933 | 1 | Mechatronic Valve Body..... 750i/L/Li(03/2005 - On), 760i/L/Li (10/2004 - 08/2005) .. | Various |
| 150D | MECHA-985 | 1 | Mechatronic Valve Body..... X5 (2003-2006 w/6HP26X | Various |
| 150D | MECHA-948 | 1 | Mechatronic Valve Body..... S-Type V6,V8 (2002 - On) Except (2003-2005) XJ (04/2005 - On) Except (10/2005 - On) w/SuperCharger, XK8 (2002-2003) w/o SuperCharger | Various |
| 150D | MECHA-950 | 1 | Mechatronic Valve Body..... S-Type V6 (2003) | Various |
| 150D | MECHA-947 | 1 | Mechatronic Valve BodyS-Type (04/2003), XJ (06/2003 - 04/2004), All XK8 (06/2003 - 04/2004) | |
| 150D | MECHA-946 | 1 | Mechatronic Valve Body..... S-Type (04/2004 - 06/2005), XJ (02/2005 - 06-2005) XK8 (02/2005 - 06/2005) | Various |
| 150D | MECHA-943 | 1 | Mechatronic Valve Body..... S-Type V6 (06/2005 - On), XJ (10/2005 - On) w/Super Charger | |
| 150D | MECHA-945 | 1 | Mechatronic Valve Body..... XJ (01/2003 - 06/2003) | Various |
| 150D | MECHA-941 | 1 | Mechatronic Valve Body..... XK (04/2006 - On) | Various |
| 150D | MECHA-938 | 1 | Mechatronic Valve Body..... Version 3 Range Rover Sport - Discovery - LR3 | Various |
| 150D | MECHA-942 | 1 | Mechatronic Valve Body..... Version 2 Range Rover Sport - Discovery | Various |
| 150D | MECHA-944 | 1 | Mechatronic Valve Body..... Version 1 Range Rover Sport | Various |
| Reman Valve Bodies: | | | | |
| Note: Does not include the TCM, can be purchased with Tested or New Solenoids, add "N" Prefix for New. | | | | |
| 150D | 15-156A | 1 | Valve Body (Reman) 6R60/75W/80 w/Internal TCM | 2006-10 |
| 150D | 15-156B | 1 | Valve Body (Reman) 6R60/75W/80 w/External TCM | 2011-On |
| 150D | 50-119A | 1 | Valve Body (Reman)BMW, Jaguar, Range Rover w/Plate ID 1068-327-141 .. | Various |
| 150D | 50-119B | 1 | Valve Body (Reman)BMW, Jaguar, Range Rover w/Plate ID 1068-327-145/179 .. | Various |
| 150D | 50-119C | 1 | Valve Body (Reman) BMW, Jaguar, Range Rover w/Plate ID 1068-327-163 .. | Various |
| 150D | 50-119D | 1 | Valve Body (Reman) BMW, Jaguar, Range Rover w/Plate ID 1068-327-180 .. | Various |
| 150D | 50-119E | 1 | Valve Body (Reman) BMW, Jaguar, Range Rover w/Plate ID 1068-327-189 .. | Various |
| 150D | 50-119F | 1 | Valve Body (Reman) BMW, Jaguar, Range Rover w/Plate ID 1068-327-210 .. | Various |
| 150D | 50-119G | 1 | Valve Body (Reman) BMW, Jaguar, Range Rover w/Plate ID 1068-327-224 .. | Various |

6R60 / 75 / 80 (ZF6)