

1973 EXT

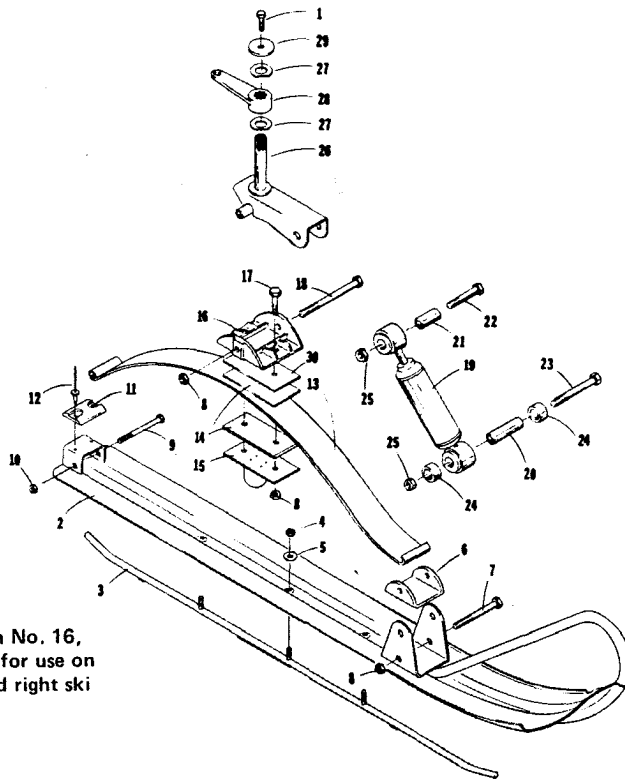
340/2FA Model No. 0250-022	Engine Model No. T7A340RX1A
440/2FA Model No. 0250-024	Engine Model No. T7A440RX1A
650/3FA Model No. 0250-026	Engine Model No. T8A650RX1A

**ILLUSTRATED  
PARTS  
MANUAL**



# TABLE OF CONTENTS

Chassis	PAGE
Ski . . . . .	1
Steering . . . . .	2
Undercarriage . . . . .	3
Drive Train . . . . .	4
Belly Pan & Front Frame . . . . .	5
Body Tunnel & Rear Bumper . . . . .	6
Hood . . . . .	7
Engine and Related Parts (340 & 440) . . . . .	8
Engine and Related Parts (650) . . . . .	9
Drive Clutch . . . . .	10
Driven Clutch . . . . .	11
Engines	
Crankcase and Cylinder (340 & 440) . . . . .	12
Crankcase and Cylinder (650) . . . . .	13
Piston and Crankshaft (340 & 440) . . . . .	14
Piston and Crankshaft (650) . . . . .	15
Magneto Cover (340 & 440) . . . . .	16
Magneto Cover (650) . . . . .	17
C D Ignition System (340 & 440) . . . . .	18
C D Ignition System (650) . . . . .	19
Recoil Starter . . . . .	20
Gear Reduction Unit (340 & 440) . . . . .	21
Carburetor, VM-36 (340) . . . . .	22
Carburetor, VM-40 (440 & 650) . . . . .	23
Fuel Pump . . . . .	24

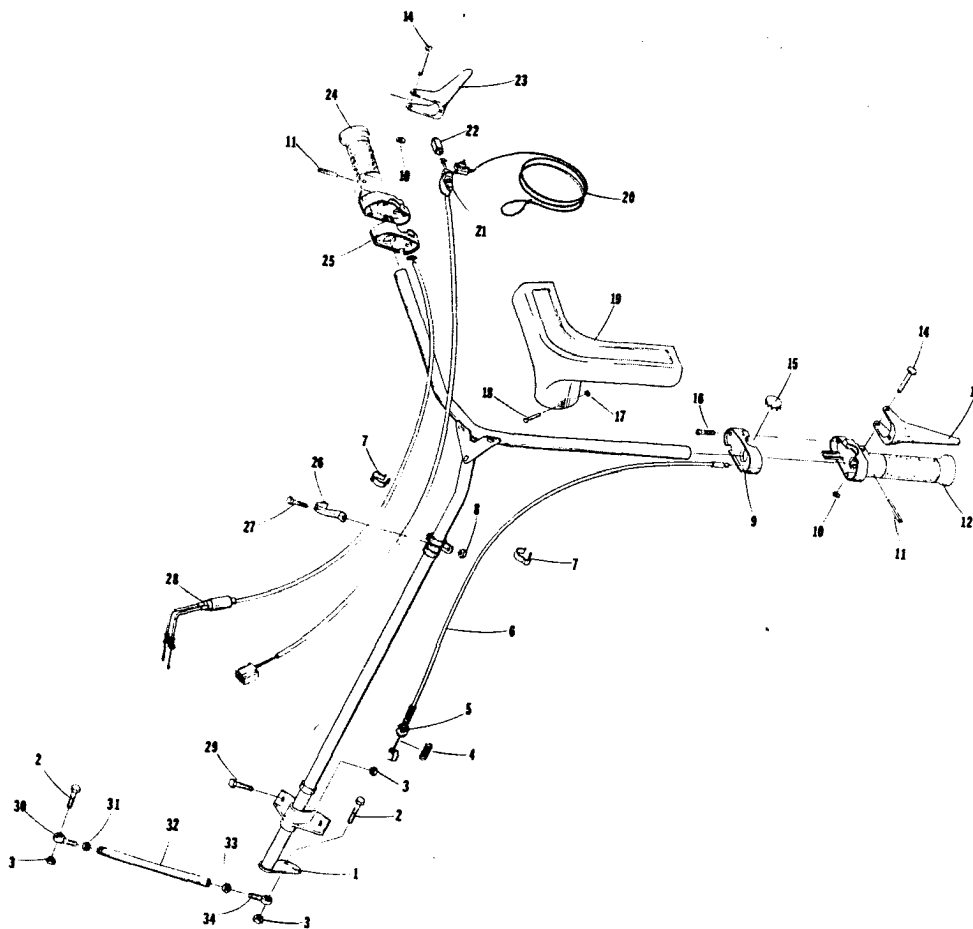


NOTE: Saddle, Item No. 16, is reversible for use on both left and right ski assemblies.

# Ski

Ref. No.	Part No.	Qty.	Description
1	0123-131	2	Screw, Cap
2	0103-044	2	Ski
3	0103-045	2	Skag
4	2261-010	6	Nut, Lock
5	0123-053	6	Washer
6	0103-007	2	Saddle, Spring Slide
7	0123-031	2	Screw, Cap
8	2261-016	8	Nut, Lock
9	0123-412	2	Screw, Cap
10	2261-012	2	Nut, Lock
11	0103-028	2	Bumper, Ski
12	0123-251	4	Rivet
13	0103-038	2	Spring, Single Leaf
14	0103-034	4	Liner
15	0103-041	2	Block, Bump-Out

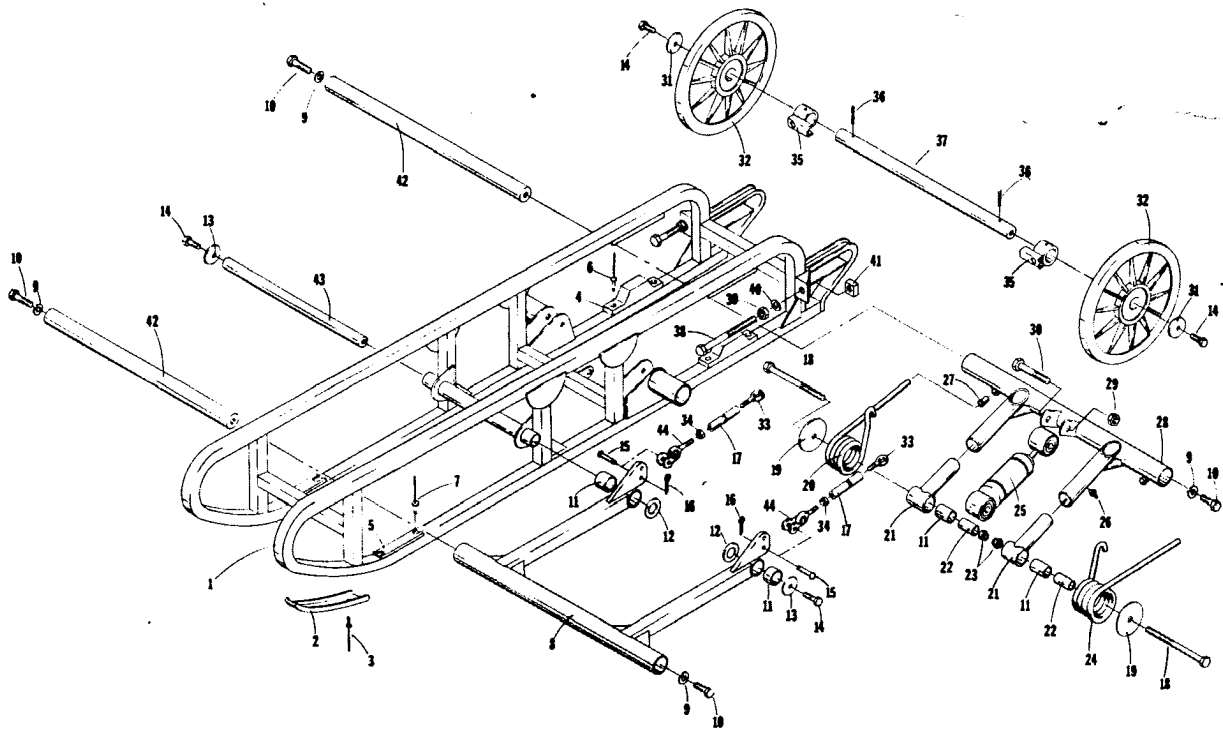
Ref. No.	Part No.	Qty.	Description
16	0105-120	2	Saddle (See Note)
17	0123-073	4	Screw, Cap
18	0123-389	2	Screw, Cap
19	0116-493	2	Shock Absorber
20	0106-196	2	Sleeve, Lower
21	0106-195	2	Sleeve, Upper
22	0123-288	2	Screw, Cap
23	0123-295	2	Screw, Cap
24	0106-198	4	Spacer
25	2261-024	4	Nut, Lock
26	0105-128	2	Spindle
27	0123-261	4	Washer, U-Bend
28	0110-017	2	Arm, Spindle
29	0123-019	2	Washer
30	0103-049	2	Spacer



## Steering

Ref. No.	Part No.	Qty.	Description
1	0110-738	1	Post Assy.
2	0123-066	4	Screw, Cap
3	2261-016	6	Nut, Lock
4	0123-407	1	Spring
5	0123-406	2	Nut, Flange
6	0109-407	1	Cable, Brake
7	0123-424	2	Clip
8	2261-008	2	Nut, Lock
9	0109-486	1	Cap, Brake Handle
10	0123-231	2	Ring Retaining
11	0123-061	2	Pin, Drive
12	0109-484	1	Handle, Brake
13	0109-150	1	Lever
14	0123-230	2	Pin
15	0109-511	1	Plug
16	0123-545	6	Screw, Flt. Hd.
17	0123-490	2	Nut, Speed
18	0106-458	2	Pin
19	0116-505	1	Pad

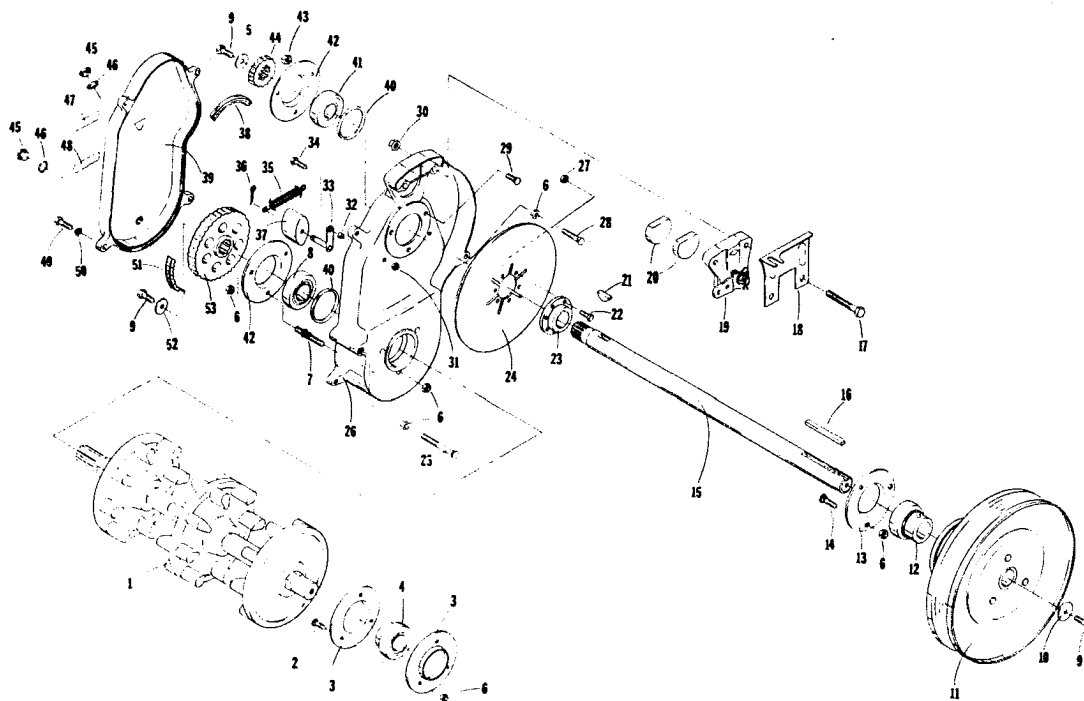
Ref. No.	Part No.	Qty.	Description
20	0109-491	1	Pin/Tether
21	0109-508	1	Switch, Tether/Stop (Incl. 20)
22	0116-509	1	Insert
23	0109-487	1	Lever
24	0109-510	1	Handle, Throttle (340)
	0109-521	1	Handle, Throttle (440, 650)
25	0109-485	1	Cap, Throttle Handle
26	0105-145	1	Clamp, Cable
27	0123-222	2	Screw, Cap
28	0187-013	1	Cable, Throttle (340)
	0187-014	1	Cable, Throttle (440)
	0187-015	1	Cable, Throttle (650)
29	0123-023	2	Screw, Cap
30	0105-049	2	Rod End, R.H. Thd.
31	0123-191	2	Nut, Jam-R.H. Thd.
32	0105-130	2	Tie Rod
33	0123-379	2	Nut, Jam-L.H. Thd.
34	0105-093	2	Rod End, L.H. Thd.



## Undercarriage

Ref. No.	Part No.	Qty.	Description
1	0104-431	1	Frame
2	0104-187	2	Hi-Fax
3	0123-071	34	Rivet
4	0104-256	2	Bumper
5	0104-073	4	Pad, Shock
6	0123-069	4	Rivet
7	0123-251	8	Rivet
8	0218-064	1	Front Arm
9	0123-011	4	Washer, Lock
10	0123-064	4	Screw, Cap
11	0104-107	4	Bushing
12	0123-439	2	Washer
13	0123-260	2	Washer
14	0123-131	4	Screw, Cap
15	0123-528	2	Pin, Clevis
16	0123-082	2	Pin, Cotter
17	0123-576	2	Body, Turnbuckle
18	0123-032	2	Screw, Cap
19	0123-331	2	Washer
20	0104-352	1	Spring, Right
21	0110-266	2	Arm, w/Bushing
22	0104-108	2	Pivot Insert

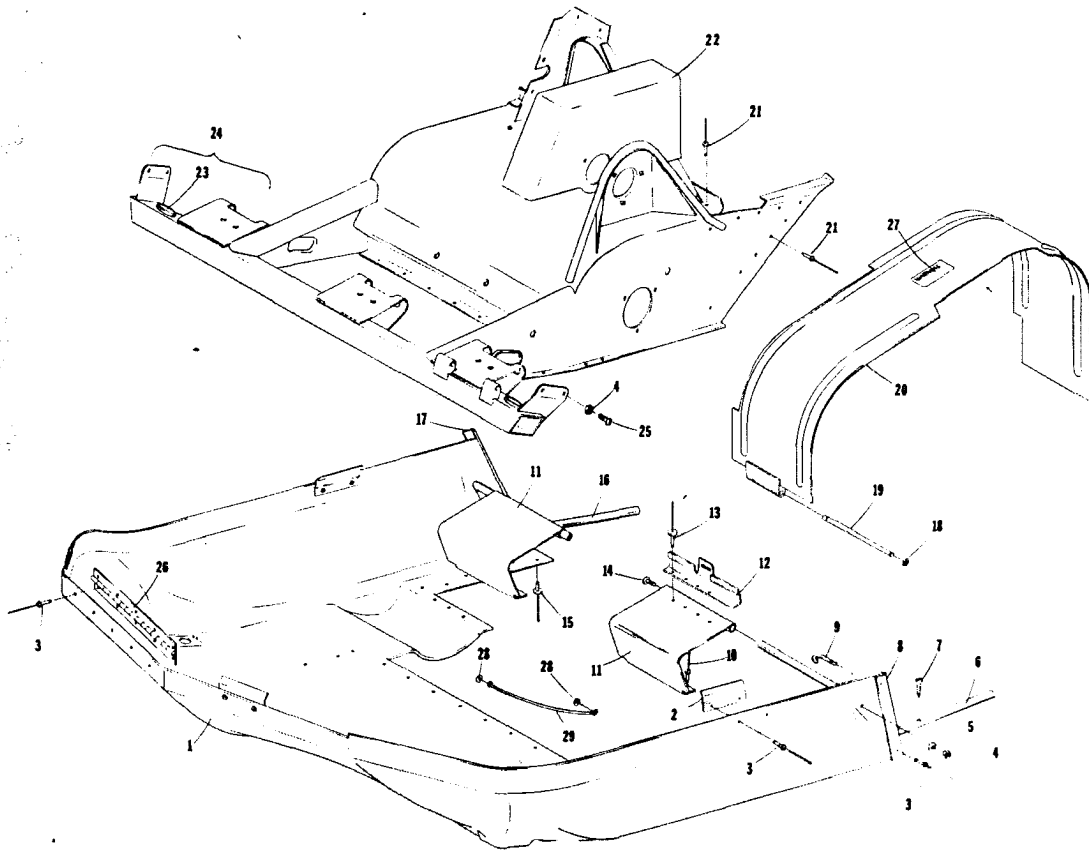
Ref. No.	Part No.	Qty.	Description
23	2261-016	2	Nut, Lock
24	0104-353	1	Spring, Left
25	0106-173	1	Shock Absorber
26	0104-062	2	Zerk
27	0104-092	2	Bushing
28	0104-252	1	Rear Arm
29	2261-024	2	Nut, Lock
30	0123-288	2	Screw, Cap
31	0123-019	2	Washer
32	0104-214	2	Wheel
33	0123-574	2	Eyebolt
34	0123-376	2	Nut
35	0104-368	2	Spacer
36	0123-061	2	Pin, Drive
37	0104-364	1	Axle
38	0123-328	2	Screw, Cap
39	0123-142	2	Nut
40	0123-111	2	Washer, Lock
41	0123-356	2	Nut, Square
42	0104-236	2	Axle
43	0104-354	1	Axle
44	0123-575	2	Eyebolt Assy.



## Drive Train

Ref. No.	Part No.	Qty.	Description
1	0110-728	1	Sprocket/Shaft Assy.
2	0123-035	3	Bolt, Carriage
3	0107-026	2	Plate
4	0107-074	1	Bearing
5	0123-260	1	Washer
6	2261-010	14	Nut, Lock
7	0107-233	3	Stud
8	0107-224	1	Bearing, 1"
9	0123-131	3	Screw, Cap
10	0123-019	1	Washer
11	0226-006	1	Clutch, Driven
12	0107-123	1	Bearing, 1"
13	0107-125	1	Flange, w/Zerk
14	0123-036	3	Bolt, Carriage
15	0228-009	1	Shaft, Driven
16	0101-076	1	Key
17	0123-101	2	Screw, Cap
18	0109-461	1	Bracket
19	0109-472	1	Caliper, Brake - w/Puck
20	0109-471	2	Puck
21	0107-133	1	Key
22	0123-041	6	Screw, Cap
23	0109-412	1	Hub
24	0109-411	1	Disc, Brake
25	0123-522	1	Bolt, Carriage
26	0107-212	1	Dropcase
27	2261-002	6	Nut, Lock
28	0123-521	1	Bolt, Carriage

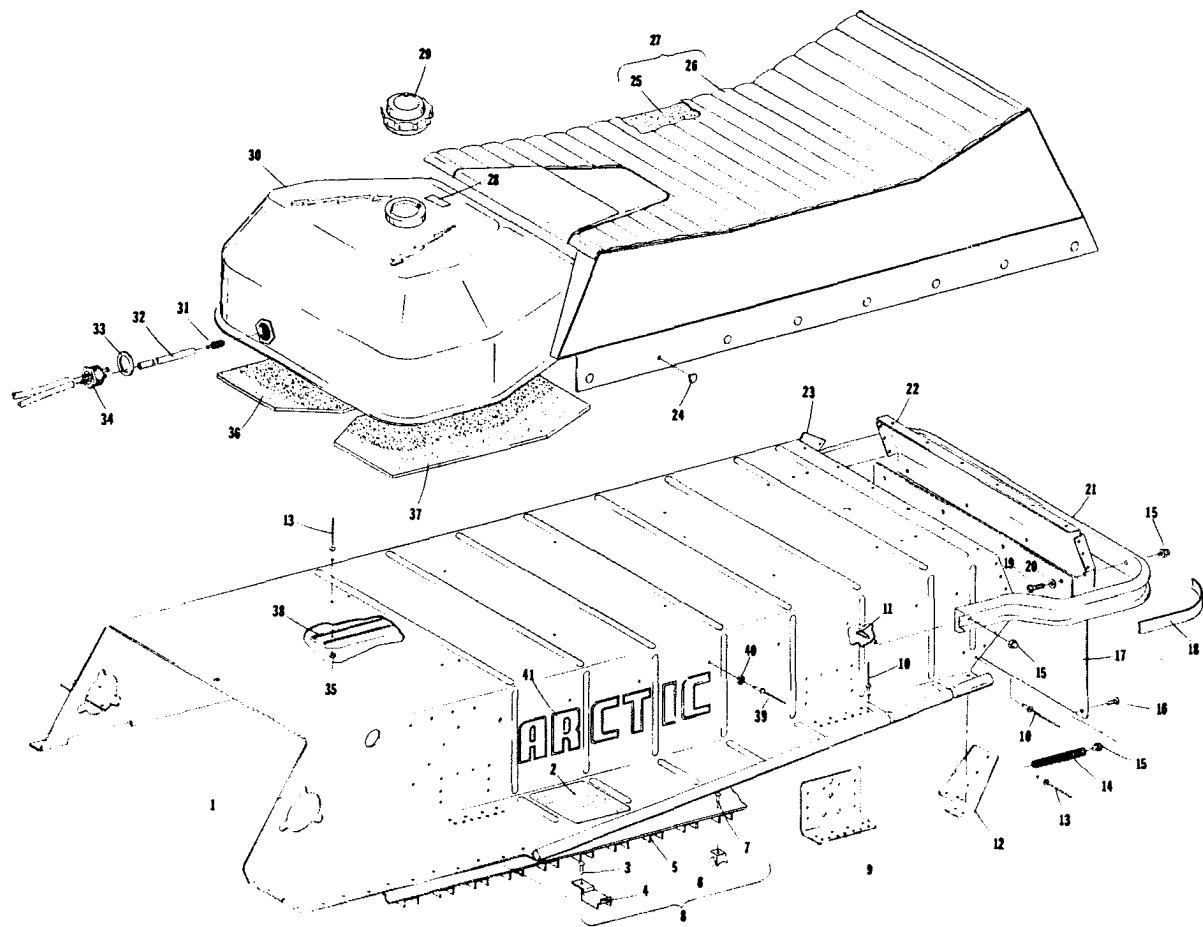
Ref. No.	Part No.	Qty.	Description
29	0123-523	3	Bolt, Ribbed
30	2261-016	2	Nut, Lock
31	2261-008	2	Nut, Lock
32	0107-234	2	Bushing
33	0107-226	2	Pin/Link Assy.
34	0123-060	2	Screw, Cap
35	0110-718	1	Spring Assy. (340)
	0110-717	1	Spring Assy. (440, 650)
36	0123-082	2	Pin, Cotter
37	0107-228	2	Pad
38	0107-214	1	Seal
39	0107-213	1	Cover
40	0107-003	2	Seal
41	0107-223	1	Bearing, 7/8"
42	0107-225	2	Flange
43	2260-031	3	Nut, Lock
44	0107-286	1	Sprocket, 20T (340)
	0107-301	1	Sprocket, 22T (440, 650)
45	0123-451	2	Plug
46	0123-452	2	Washer, Neoprene
47	0106-228	1	Decal, "Oil Fill"
48	0106-229	1	Decal, "Oil Level"
49	0123-381	4	Screw, Cap
50	0240-002	4	Washer, External Lock
51	0107-215	1	Chain 68P (340)
	0107-216	1	Chain 70P (440, 650)
52	0123-020	1	Washer
53	0107-287	1	Sprocket, 35T



## Belly Pan & Front Frame

Ref. No.	Part No.	Qty.	Description
1	0116-533	1	Belly Pan
2	0116-541	4	Channel, Hood
3	2350-004	29	Rivet
4	2261-008	6	Nut, Lock
5	0123-205	2	Washer
6	0116-523	1	Bracket, Left
7	0123-465	4	Screw, Metal
8	0116-513	1	Trim, Left
9	0123-571	2	Bolt, 'J'
10	0123-070	8	Rivet
11	0116-524	2	Footrest
12	0107-295	1	Bracket
13	0123-067	4	Rivet
14	0123-192	2	Screw, Machine

Ref. No.	Part No.	Qty.	Description
15	2350-006	41	Rivet
16	0116-522	1	Bracket, Right
17	0116-512	1	Trim, Right
18	0123-551	2	E-Ring
19	0107-247	1	Pin, Hinge
20	0107-294	1	Shield, Clutch
21	0123-069	28	Rivet
22	0107-296	1	Guard, Clutch
23	0105-007	4	Bushing
24	0110-731	1	Front End Assy.
26	0116-532	1	Hinge, Hood
27	0211-118	1	Decal, "Warning"
28	0123-149	2	Washer
29	0109-135	1	Cable, Hood

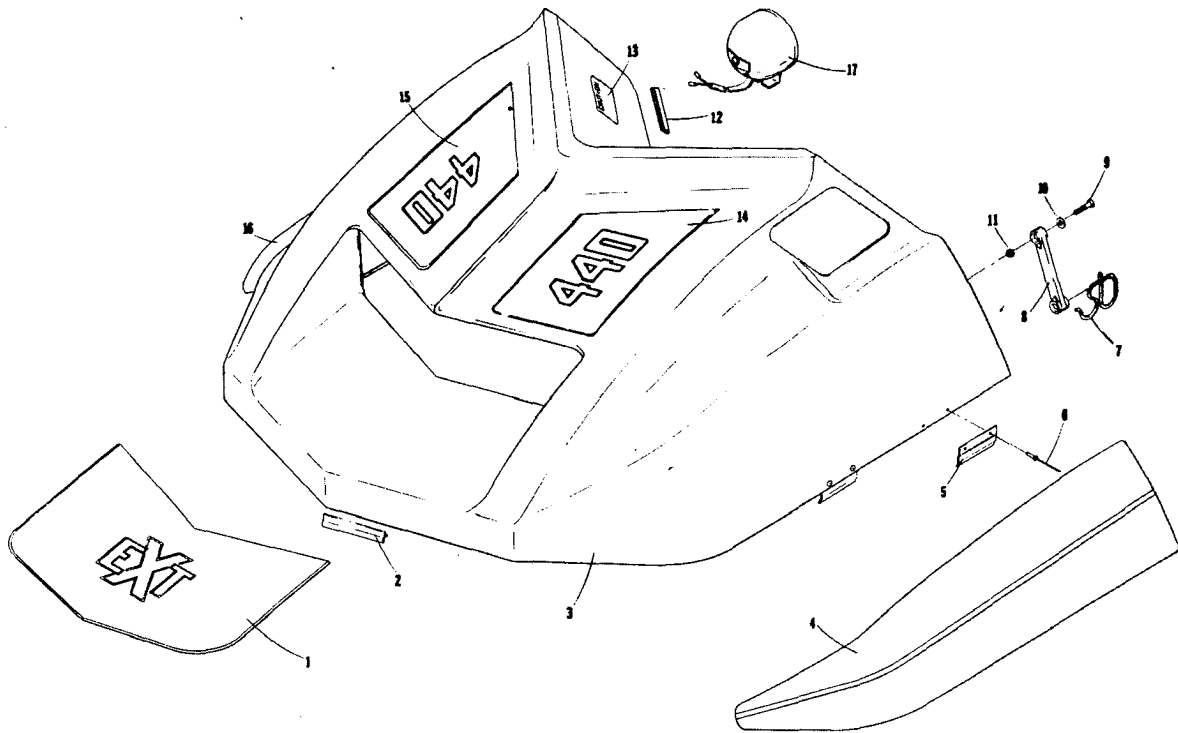


## Body Tunnel & Rear Bumper

Ref. No.	Part No.	Qty.	Description
1	0116-530	1	Body
2	0116-528	6	Pad
3	0123-417	88	Rivet, Clip - Solid
	0134-850	AR	Rivet, Thrded., w/Nut - Opt. (Package of 50)
4	0102-123	88	Clip, Wear
5	0102-117	44	Cleat
6	0120-136	44	Ice Stud
7	0123-345	44	Rivet, Cleat - Solid (Package of 50)
	0134-815	AR	Rivet, Thrded., w/Nut - Opt.
8	0102-113	1	Track Assy., Bond (3-7)
9	0116-379	4	Plate, Mtg.
10	0123-070	102	Rivet
11	0123-409	2	Screw, Machine
12	0116-517	1	Plate, Wear - Left
13	0123-071	18	Rivet
14	0123-445	2	Spring
15	0123-108	8	Nut, Nylon Cap
16	0123-192	2	Screw, Machine
17	0116-515	1	Snow Flap
18	0116-538	1	Strip, Bumper
19	0123-413	4	Screw, Machine
20	0123-053	4	Washer

Ref. No.	Part No.	Qty.	Description
21	0116-459	1	Bumper, Rear
22	0116-474	1	End Plate
23	0116-516	1	Plate, Wear - Right
24	0116-378	16	Snap, Cushion
25	0116-526	1	Foam
26	0116-527	1	Cover Assy., w/Snaps
27	0110-740	1	Cushion Assy.
28	0109-130	1	Decal "Gas Mix 20 to 1"
29	0109-367	1	Gas Cap
30	0116-268	1	Tank
31	0110-545	2	Filter Assy.
32	0210-500	2	Hose, 50 Ft.
	0210-525	2	Hose, 500 Ft.
	0210-575	2	Hose, 1000 Ft.
33	0109-278	1	Gasket
34	0109-265	1	Outlet
35	0123-149	16	Washer
36	0116-173	1	Pad, Right
37	0116-172	1	Pad, Left
38	0116-520	2	Strip, Wear
39	0123-072	16	Rivet
40	0116-074	16	Snap, Body
41	0211-145	2	Decal, "Arctic"

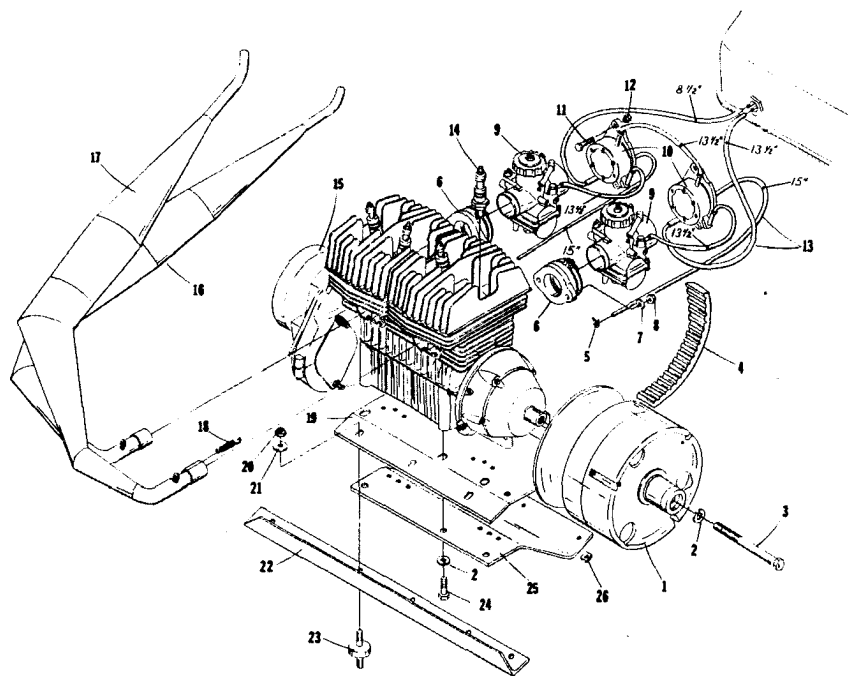




## Hood

Ref. No.	Part No.	Qty.	Description
1	0211-144	1	Decal, Front
2	0116-555	1	Extrusion
3	0116-534	1	Hood
4	0211-135	1	Decal, Left
5	0116-541	4	Channel, Hood
6	2350-004	28	Rivet
7	0116-376	2	Latch
8	0116-375	2	Strap
9	0123-027	2	Screw, Machine
10	0123-053	2	Washer
11	2261-008	2	Nut, Lock

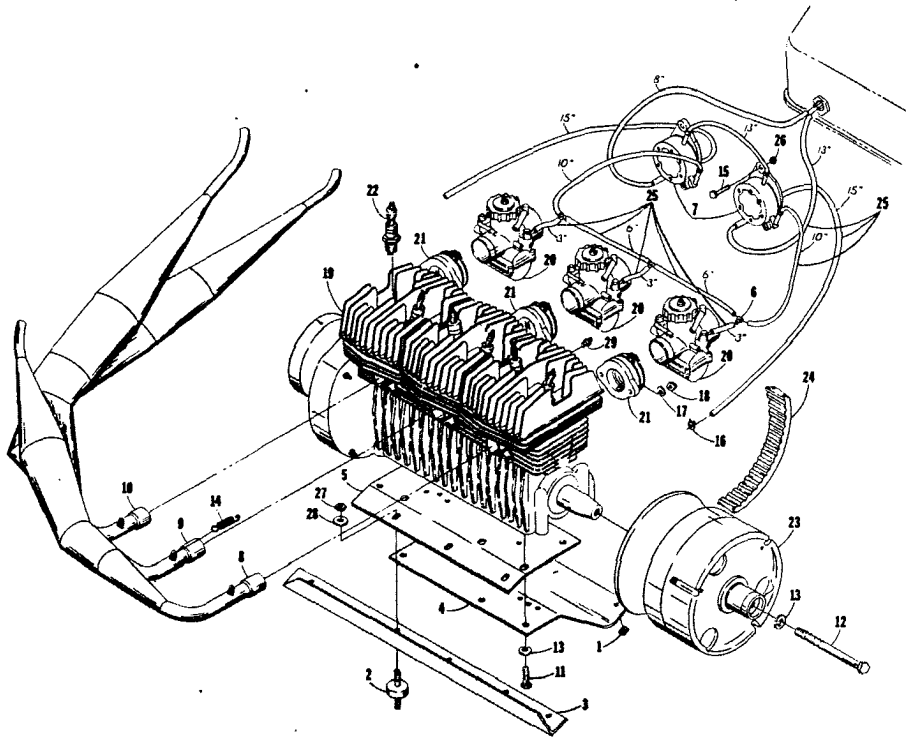
Ref. No.	Part No.	Qty.	Description
12	0116-535	1	Trim
13	0106-108	1	Decal, "Hood Caution"
14	0211-139	1	Decal, 340 - Left
	0211-141	1	Decal, 440 - Left
	0211-143	1	Decal, 650 - Left
15	0211-138	1	Decal, 340 - Right
	0211-140	1	Decal, 440 - Right
	0211-142	1	Decal, 650 - Right
16	0211-134	1	Decal, Right
17	0120-134	1	Tachometer (340, 440)
	0120-135	1	Tachometer (650)



## Engine and Related Parts (340 & 440)

Ref. No.	Part No.	Qty.	Description
1	0225-030	1	Clutch, Drive (340)
	0225-031	1	Clutch, Drive (440)
2	0123-159	5	Washer, Lock
3	0123-136	1	Screw, Cap
4	0227-009	1	Belt, Drive
5	0123-498	2	Clamp
6	0170-033	2	Flange (340)
	0170-034	2	Flange (440)
7	0123-514	4	Washer
8	0123-515	4	Nut
9	0170-030	2	Carburetor, VM-36 (340)
	0170-031	2	Carburetor, VM-40 (440)
10	0109-463	2	Pump, Fuel
11	0123-354	4	Screw, Cap
12	2261-008	4	Nut, Lock
13	0210-500		Hose, 50' Roll
	0210-525		Hose, 500' Roll

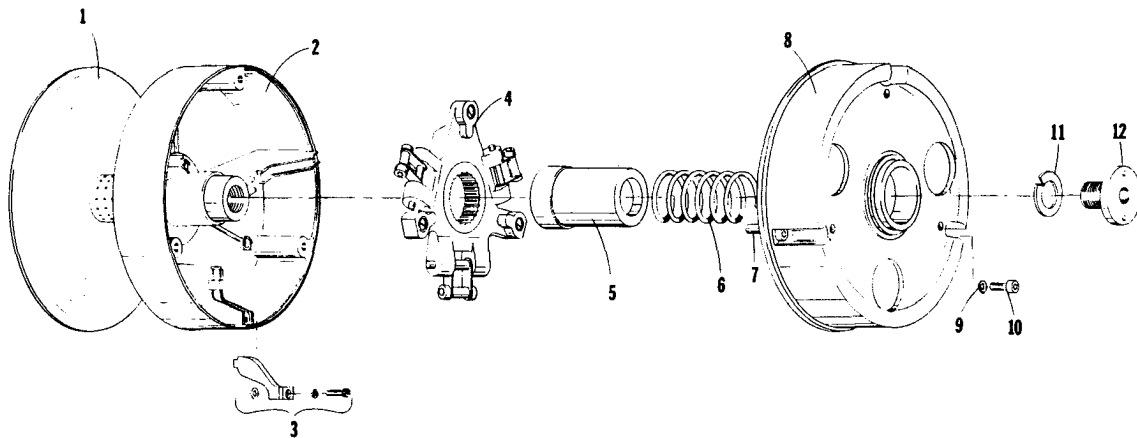
Ref. No.	Part No.	Qty.	Description
	0210-575		Hose, 1000' Roll
14	0217-030	4	Spark Plug - NGK B-10EV
15	0162-098	1	Engine T7A340RX
	0162-099	1	Engine T7A440RX
16	0112-221	1	Exhaust Chamber, No. 2 (440)
	0112-223	1	Exhaust Chamber, No. 2 (340)
17	0112-220	1	Exhaust Chamber, No. 1 (440)
	0112-222	1	Exhaust Chamber, No. 1 (340)
18	0123-321	2	Spring
19	0108-147	1	Plate, Engine
20	2261-016	10	Nut, Lock
21	2264-001	5	Washer
22	0108-134	1	Support, Angle
23	0108-124	5	Mount, Rubber
24	0123-112	4	Screw, Cap
25	0108-145	1	Bracket, Mtg.
26	0108-123	1	Spacer



## Engine and Related Parts (650)

Ref. No.	Part No.	Qty.	Description
1	0108-123	1	Spacer
2	0108-124	5	Mount, Rubber
3	0108-134	1	Support, Angle
4	0108-145	1	Bracket
5	0108-146	1	Plate, Engine
6	0109-332	3	"T", Connection
7	0109-463	2	Pump, Fuel
8	0112-224	1	Chamber, Exhaust, No. 1
9	0112-225	1	Chamber, Exhaust, No. 2
10	0112-226	1	Chamber, Exhaust, No. 3
11	0123-112	4	Screw, Cap
12	0123-136	1	Screw, Cap
13	0123-159	5	Washer, Lock
14	0123-321	3	Spring
15	0123-354	4	Screw, Cap

Ref. No.	Part No.	Qty.	Description
16	0123-498	2	Clamp, Hose
17	0123-514	6	Washer
18	0123-515	6	Nut
19	0162-100	1	Engine, Kaw. T8A650RX
20	0170-031	3	Carb. VM-40
21	0170-034	3	Flange, Carb.
22	0217-030	6	Spark Plug, B-10EV
23	0225-032	1	Clutch, Drive
24	0227-009	1	Belt, Drive
25	1054-150	1	Hose, Gas, 8.750" Total
26	2261-008	6	Nut, Lock
27	2261-016	10	Nut, Self-Locking
28	2264-001	5	Washer
29	3000-056	1	Plug, Middle Impulse



## Drive Clutch

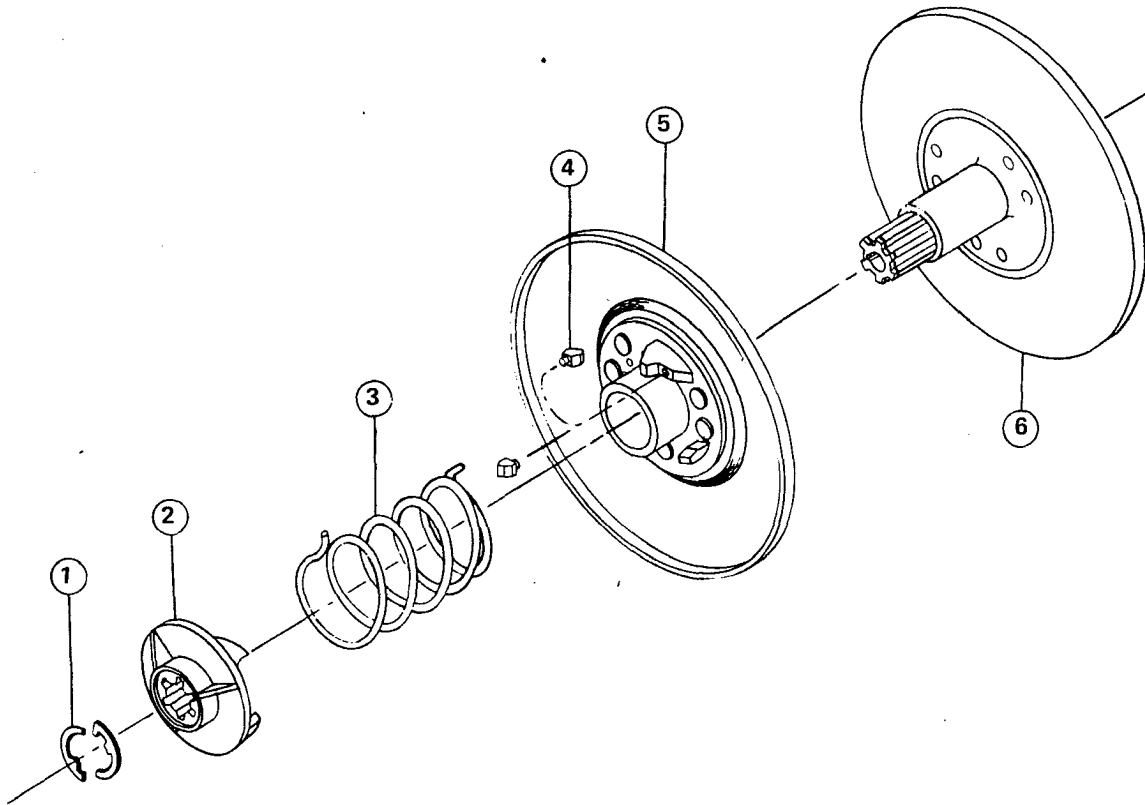
Part No. 0225-030 340 Engine

Part No. 0225-031 440 Engine

Part No. 0225-032 650 Engine

Ref. No.	Part No.	Qty.	Description
1	0146-088	1	Sheave, Stationary
2	0146-138	1	Sheave, Moveable
3	0146-183	1	Ramp Kit (340/440)
	0146-184	1	Ramp Kit (650)
4	0146-031	1	Spdr./Arm Assy. 0225-030
	0146-171	1	Spdr./Arm Assy. 0225-031
	0146-158	1	Spdr./Arm Assy. 0225-032
5	0146-145	1	Sleeve

Ref. No.	Part No.	Qty.	Description
6	0146-068	1	Spring
7	0123-435	3	Dowel, Pin
8	0146-139	1	Housing, w/Bearing
9	0240-002	3	Washer, Lock
10	0123-473	3	Screw, Cap
11	0123-547	1	Washer, Lock
12	0146-144	1	Bolt, Captive

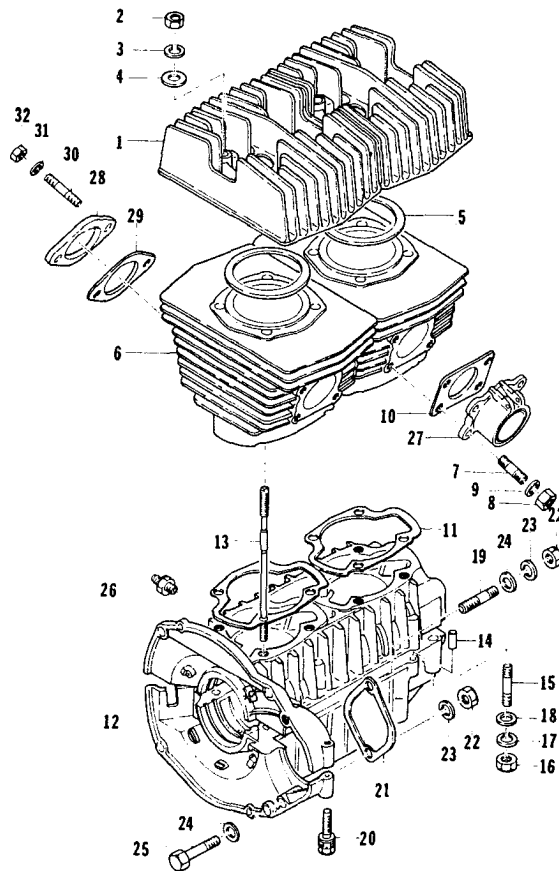


## Driven Clutch (Part No. 0226-006)

### Comet 100D

Ref. No.	Part No.	Qty.	Description
1	0148-066	1	Ring, Retaining-2 Pc. (203113)
2	0148-062	1	Cam, Fixed-34° (203108)
3	0148-064	1	Spring, Red-Standard (203114)
	0148-068	1	Spring, Orange-Special (203123)

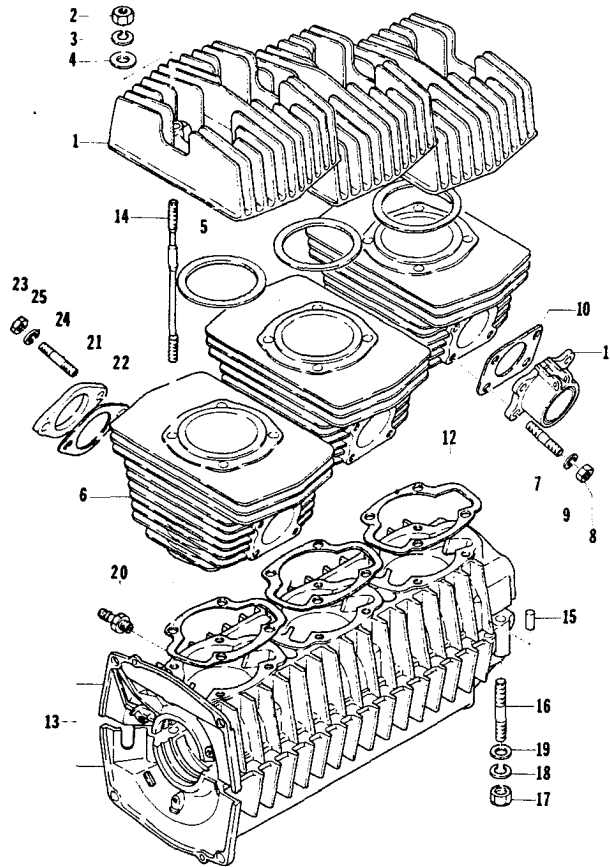
Ref. No.	Part No.	Qty.	Description
4	0148-067	3	Button, Insert (203111)
5	0148-063	1	Sheave, Moveable (203112)
6	0148-065	1	Sheave, Fixed (203110)



## Crankcase and Cylinder (340 & 440)

Ref. No.	Part No.	Qty.	Description
1	3001-158	2	Head, Cylinder (340)
	3001-159	2	Head, Cylinder (440)
2	3000-255	8	Nut, 8 M/M
3	3000-106	8	Washer, Spring
4	3000-116	8	Washer
5	3001-166	2	Gasket, Head (340)
	3001-094	2	Gasket, Head (440)
6	3001-154	2	Cylinder (340)
	3001-155	2	Cylinder (440)
7	3001-098	8	Stud
8	3000-765	8	Nut, 6 M/M
9	3000-766	8	Washer, Spring
10	3001-099	2	Gasket, Exhaust
11	3001-100	2	Gasket, Cylinder
12	3001-267	1	Crankcase Assy.
13	3001-268	8	Stud
14	3000-269	2	Pin, Dowel
15	3000-273	10	Stud

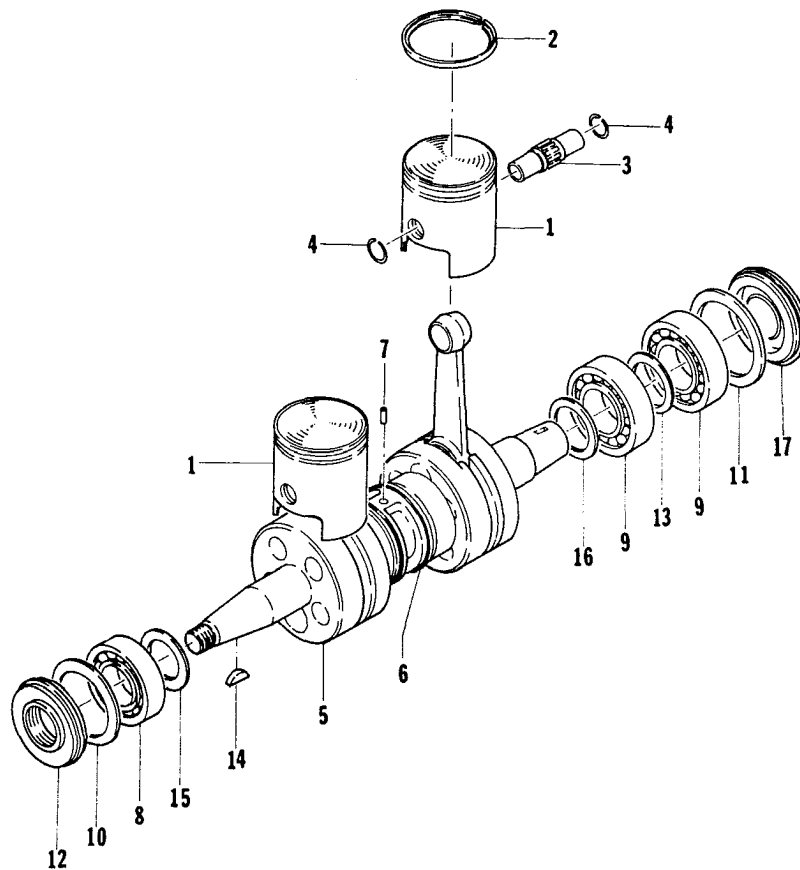
Ref. No.	Part No.	Qty.	Description
16	3000-255	10	Nut, 8 M/M
17	3000-106	10	Washer, Spring
18	3000-102	10	Washer
19	3000-242	1	Stud
20	3000-429	1	Bolt, 6 x 40
21	3000-145	1	Seal, Starter
22	3000-255	2	Nut, 8 M/M
23	3000-106	2	Washer, Spring
24	3000-102	2	Washer
25	3000-241	1	Bolt, 8 x 68
26	3000-055	2	Joint
27	3001-269	2	Pipe, Exhaust
28	3001-270	2	Insulator (340/440)
29	3000-338	2	Gasket, Carburetor
30	3001-271	4	Stud
31	3000-102	4	Washer
32	3000-098	4	Nut, 8 M/M



## Crankcase and Cylinder (650)

Ref. No.	Part No.	Qty.	Description
1	3001-159	3	Head, Cylinder
2	3000-255	12	Nut, 8 M/M
3	3000-106	12	Washer, Spring
4	3000-116	12	Washer
5	3001-094	3	Gasket, Head
6	3001-156	3	Cylinder
7	3001-098	12	Stud
8	3000-765	12	Nut, 6 M/M
9	3000-766	12	Washer, Spring
10	3001-099	3	Gasket, Exhaust
11	3001-269	3	Pipe, Exhaust
12	3001-100	3	Gasket, Cylinder
13	3001-246	1	Crankcase Assy.

Ref. No.	Part No.	Qty.	Description
14	3001-268	12	Stud
15	3000-269	2	Pin, Dowel
16	3000-273	14	Stud
17	3000-255	14	Nut, 8 M/M
18	3000-106	14	Washer, Spring
19	3000-102	14	Washer
20	3000-055	3	Joint
21	3001-270	3	Insulator
22	3000-338	3	Gasket, Carburetor
23	3000-098	6	Nut, 8 M/M
24	3001-271	6	Stud
25	3000-102	6	Washer

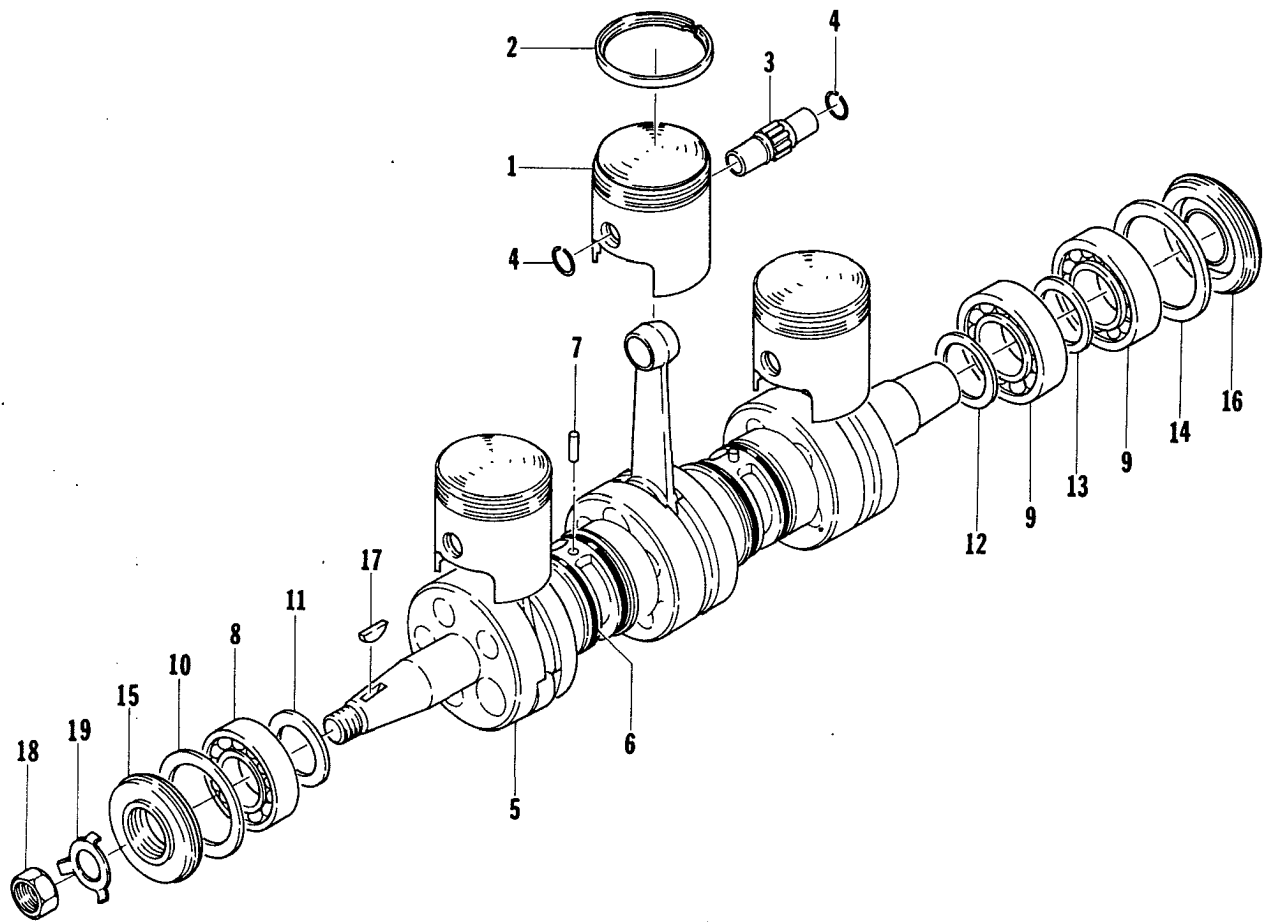


## Piston and Crankshaft (340 & 440)

Ref. No.	Part No.	Qty.	Description
1	3001-161	2	Piston Set (340)
	3001-162	2	Piston Set (440)
2	3001-029	2	Ring, Piston (340)
	3001-028	2	Ring, Piston (440)
3	3001-091	2	Piston Pin Set (340)
	3001-107	2	Piston Pin Set (440)
4	3000-151	4	Ring, Snap
5	3001-274	1	Crankshaft Assy.
6	3001-043	2	O Ring
7	3001-044	1	Pin, Dowel
8	3001-045	1	Bearing 6206-9C4
9	3001-121	2	Bearing 6207-9C4
10	3000-156	1	Washer
11	3001-114	1	Washer

Ref. No.	Part No.	Qty.	Description
12	3000-154	1	Seal, Oil
13	3001-120	1	Shim
14	3000-267	1	Key
15	3001-109	AR	Shim
	3001-110	AR	Shim
	3001-111	AR	Shim
	3001-112	AR	Shim
	3001-113	AR	Shim
	3001-115	AR	Shim
	3001-116	AR	Shim
	3001-117	AR	Shim
16	3001-118	AR	Shim
	3001-119	AR	Shim
	3001-119	AR	Shim
17	3001-275	1	Seal, Oil (340/440)

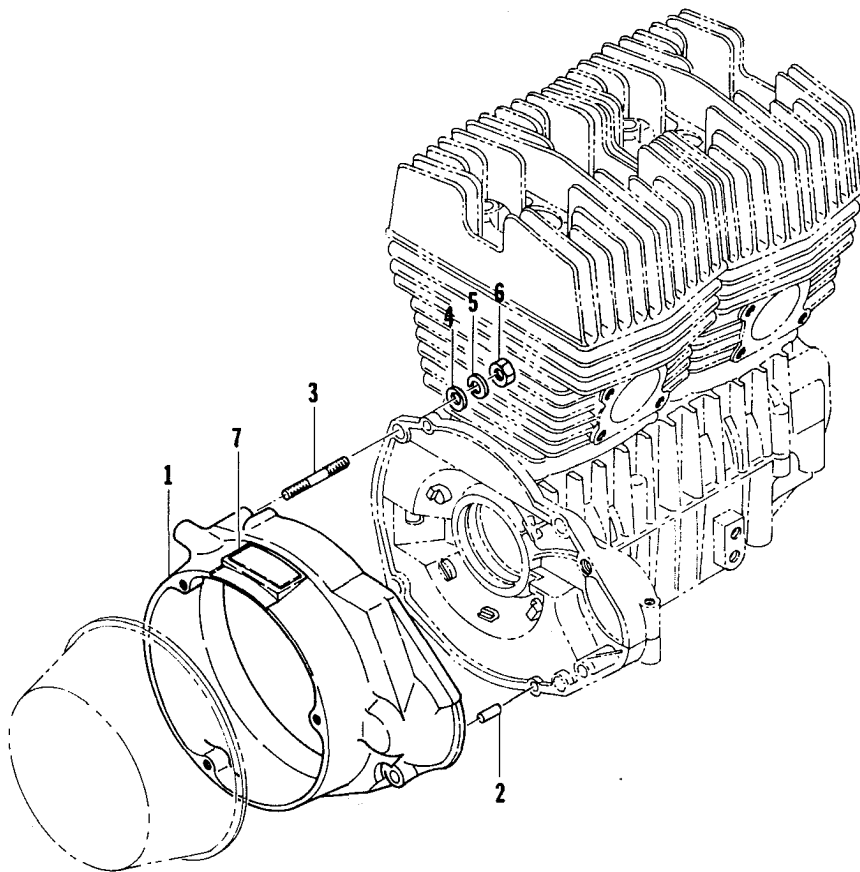




## Piston and Crankshaft (650)

Ref. No.	Part No.	Qty.	Description
1	3001-163	3	Piston Set
2	3001-031	3	Ring, Piston
3	3001-107	3	Piston Pin Set
4	3000-151	6	Ring, Snap
5	3001-247	1	Crankshaft Assy.
6	3001-043	4	O Ring
7	3001-044	2	Pin, Dowel
8	3001-045	1	Bearing 6206-9C4
9	3001-121	2	Bearing 6207-9C4
10	3000-156	1	Washer

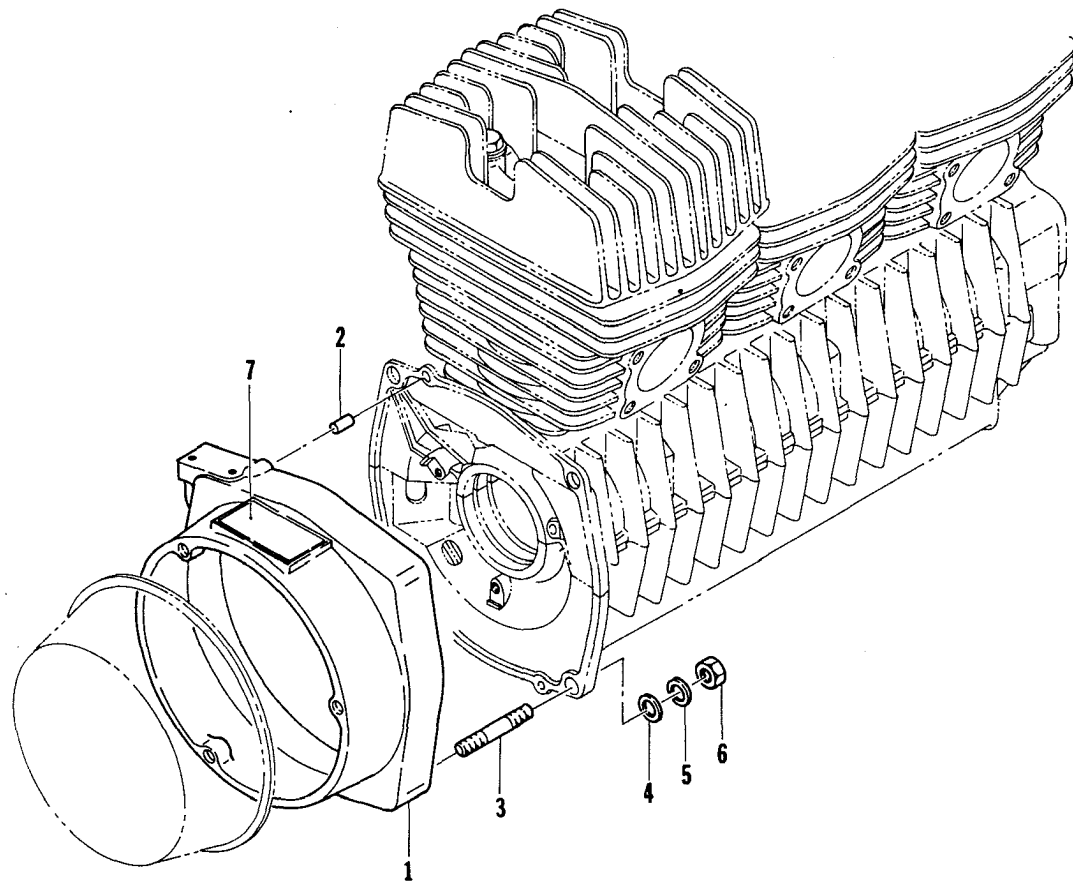
Ref. No.	Part No.	Qty.	Description
11	3001-113	1	Shim
12	3001-118	1	Shim
13	3001-120	1	Shim
14	3001-114	1	Washer
15	3000-154	1	Seal, Oil
16	3000-381	1	Seal, Oil
17	3000-267	1	Key
18	3000-258	1	Nut, 18 M/M
19	3000-283	1	Washer



## Magneto Cover (340 & 440)

Ref. No.	Part No.	Qty.	Description
1	3001-276	1	Cover, Magneto
2	3001-123	2	Pin, Dowel
3	3001-277	4	Stud
4	3000-102	4	Washer

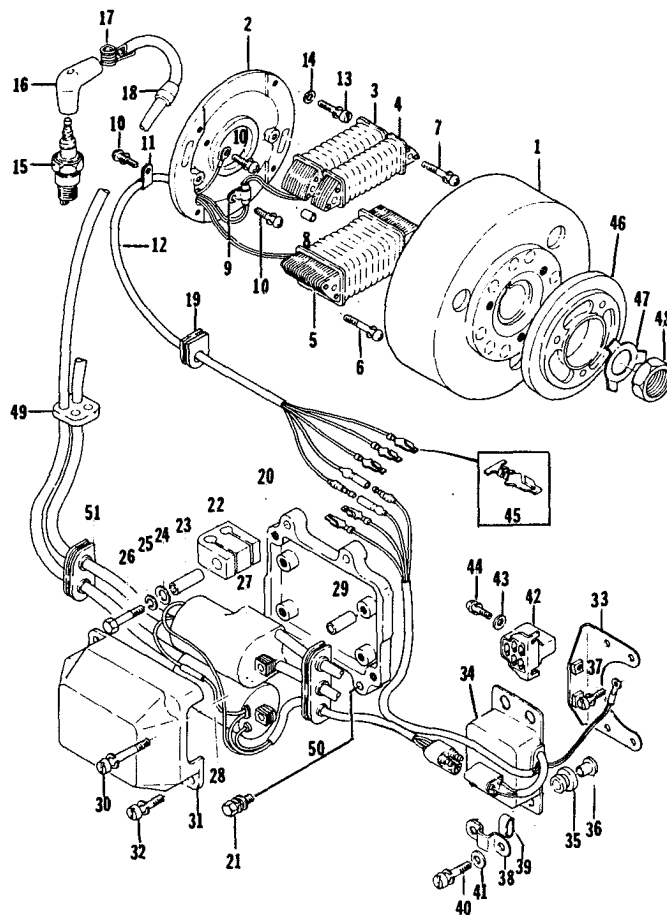
Ref. No.	Part No.	Qty.	Description
5	3000-106	4	Washer, Spring
6	3000-255	4	Nut, 8 M/M
7	3001-280	1	Label, T7A340RX1A
	3001-281	1	Label, T7A440RX1A



## Magneto Cover (650)

Ref. No.	Part No.	Qty.	Description
1	3001-248	1	Cover, Magneto
2	3001-123	2	Pin, Dowel
3	3000-242	4	Stud
4	3000-102	4	Washer

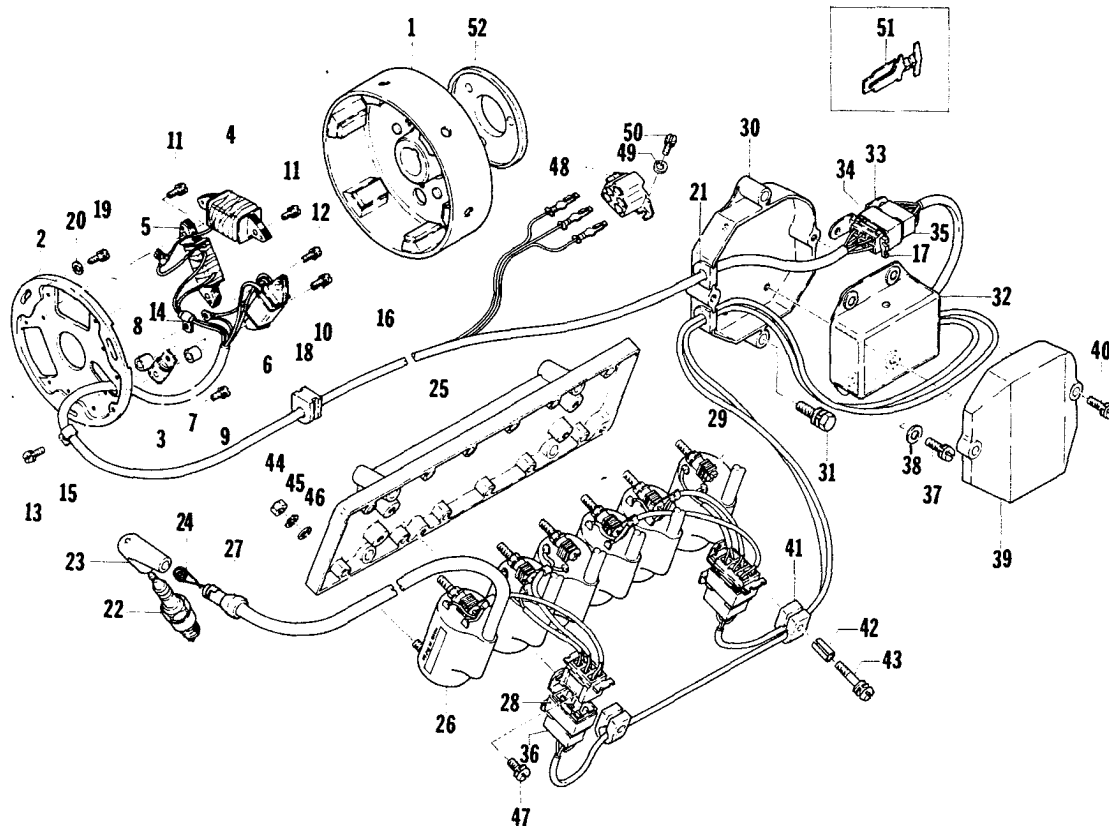
Ref. No.	Part No.	Qty.	Description
5	3000-106	4	Washer, Spring
6	3000-255	4	Nut, 8 M/M
7	3001-249	1	Label, T8A650RX



## C D Ignition System (340 & 440)

Ref. No.	Part No.	Qty.	Description
1-0	3001-126	1	Magneto Assy.
1	3001-127	1	Flywheel
2-0	3001-128	1	Base Assy.
2	3001-052	1	Base
3	3001-129	1	Coil, Exciting
4	3001-130	1	Coil, Pulsing
5	3001-055	1	Coil, Lighting
6	3001-056	2	Screw, 5 x 34
7	3001-131	2	Screw, 5 x 38
8	3000-295	2	Collar, Coil
9	3000-738	1	Clamp
10	3000-297	3	Screw, 4 x 6
11	3000-296	1	Clamp
12	3001-132	1	Wire Assy.
13	3001-059	2	Screw, 5 x 20
14	3001-060	2	Washer
15	0217-030	4	Plug, Spark (NGK B-10EV)
16	3001-062	4	Cap, Plug
17	3001-063	4	Spring, Plug Cap
18	3000-193	4	Grommet
19	3000-440	1	Grommet
20	3001-134	1	Bracket, Coil
21	3001-135	2	Bolt, 6 x 25
22	3001-149	2	Clamp, Cord
23	3001-150	2	Collar
24	3001-142	4	Washer
25	3000-105	2	Washer, Spring

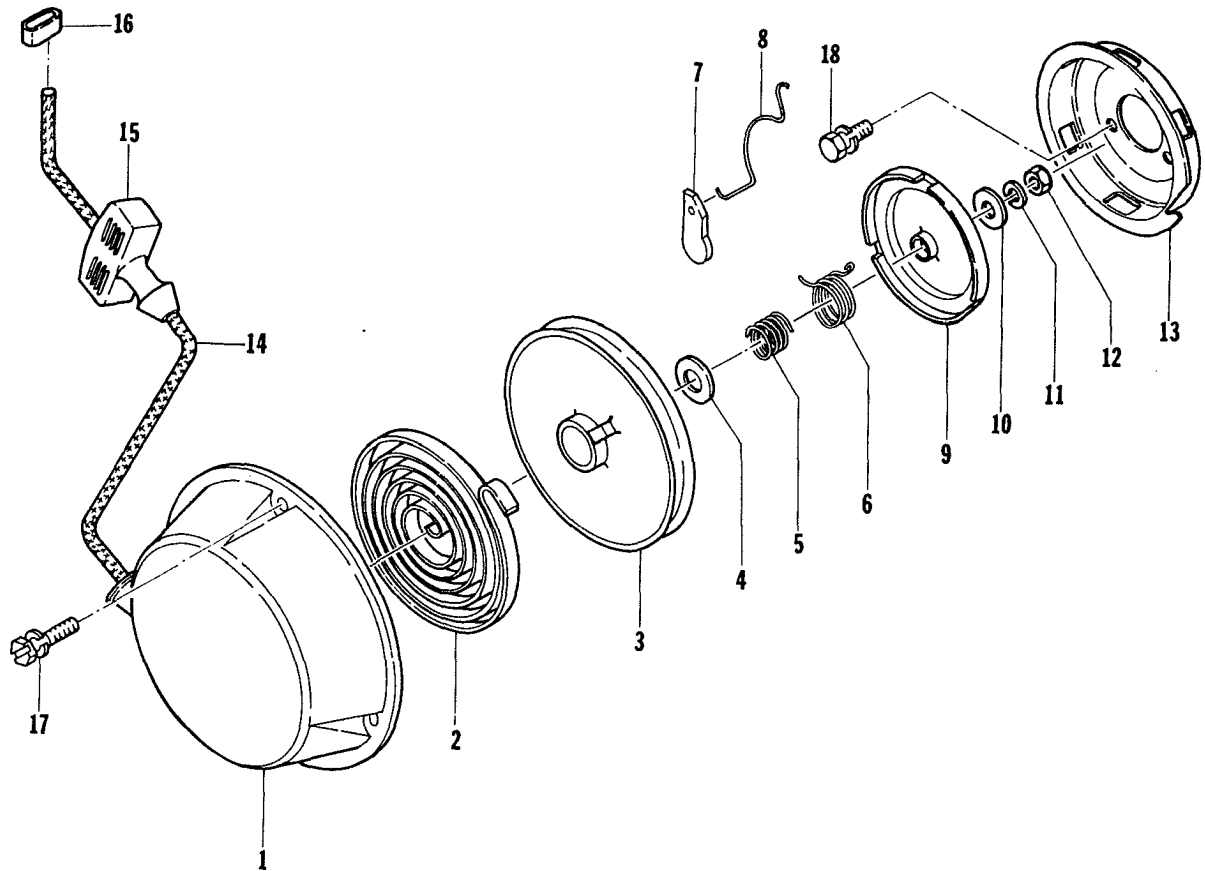
Ref. No.	Part No.	Qty.	Description
26	3001-151	2	Bolt, 6 x 56
27	3001-136	1	Coil, Ignition (1)
28	3001-137	1	Coil, Ignition (2)
29	3001-138	4	Collar
30	3000-557	4	Screw, 6 x 45
31	3001-143	1	Cover, Coil
32	3000-741	2	Screw, 6 x 18
33	3001-282	1	Bracket
34	3001-141	1	C D I Unit
35	3001-069	4	Grommet
36	3001-070	4	Collar
37	3000-455	1	Screw, 4 x 10
38	3001-140	1	Bracket, Band
39	3001-139	1	Band
40	3000-457	4	Screw, 6 x 25
41	3000-280	2	Washer
42	3001-283	1	Connector
43	3000-436	2	Washer
44	3000-455	2	Screw, 4 x 10
45	3001-284	5	Terminal
46	3001-074	1	Retainer, Pulley
47	3000-283	1	Washer
48	3000-258	1	Nut, 18 M/M
49	3001-133	1	Grommet
50	3001-144	1	Grommet
51	3001-145	1	Grommet



## C D Ignition System (650)

Ref. No.	Part No.	Qty.	Description
1-0	3001-250	1	Magneto Assy.
1	3001-251	1	Flywheel
2	3001-252	1	Base Assy.
3	3000-720	1	Coil, Control
4	3001-253	1	Coil, Exciting
5	3001-254	1	Coil, Pulsing
6	3001-255	1	Coil, Tachometer
7	3000-940	1	Collar, Coil
8	3001-256	1	Collar, Coil
9	3000-723	1	Screw, 4 x 12
10	3000-941	2	Screw, 5 x 32
11	3000-726	4	Screw, 5 x 20
12	3000-297	2	Screw, 4 x 6
13	3000-728	1	Screw, 4 x 8
14	3000-738	2	Clamp
15	3000-296	1	Clamp
16	3001-257	1	Wire Assy.
17	3000-730	1	Connector
18	3000-440	1	Grommet
19	3001-258	3	Screw, 5 x 14
20	3000-260	3	Washer
21	3000-690	2	Grommet
22	0217-030	6	Plug, Spark (NGK B-10EV)
23	3001-062	6	Cap, Plug
24	3001-063	6	Spring, Plug Cap
25	3001-259	1	Bracket, Coil
26	3001-260	1	Coil, Ignition (1)

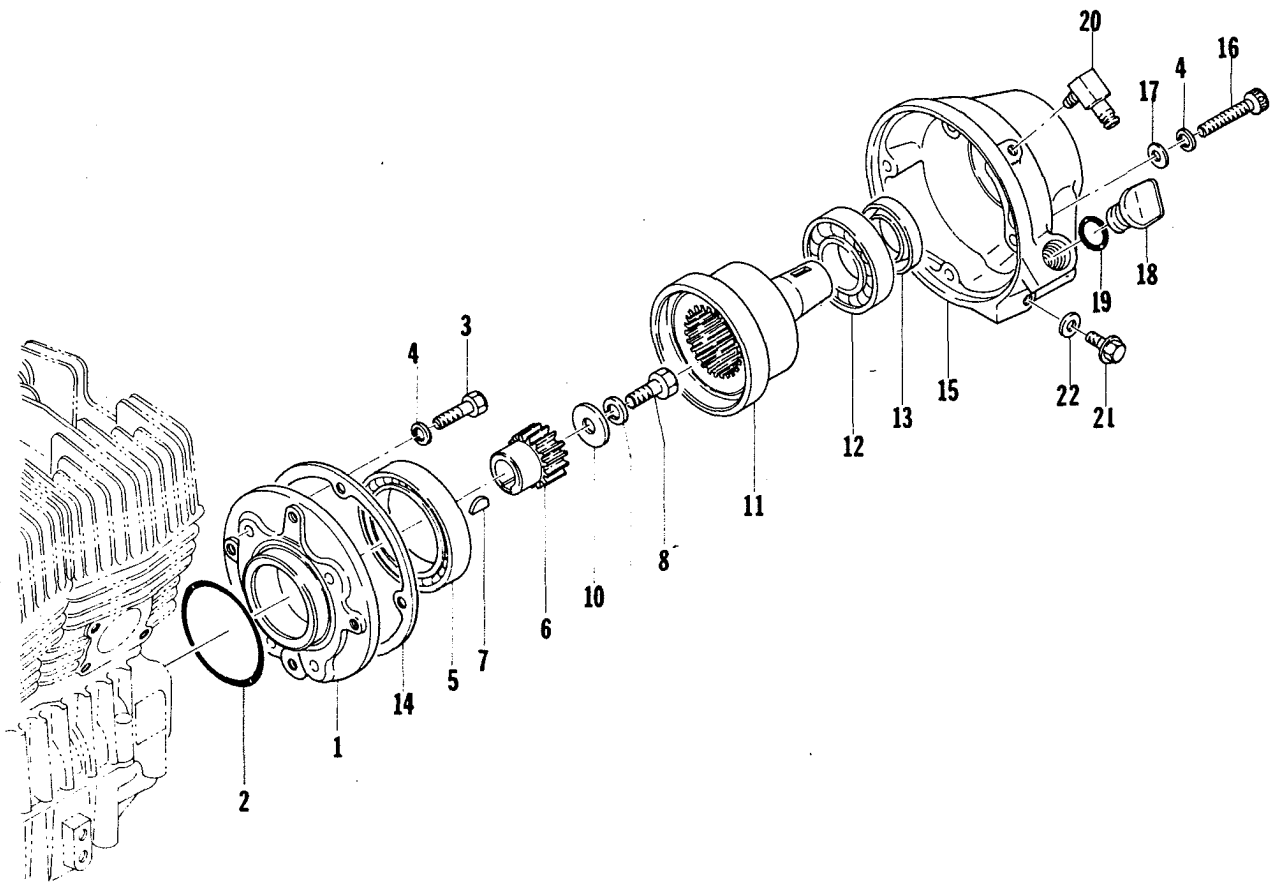
Ref. No.	Part No.	Qty.	Description
27	3000-193	3	Grommet
28	3000-735	1	Band
29	3001-261	1	Coil, Ignition (2)
30	3000-688	1	Bracket, Unit
31	3000-746	2	Bolt, 8 x 45
32	3001-262	1	C D I Unit
33	3000-734	1	Clamp
34	3000-735	1	Band
35	3001-263	1	Connector
36	3001-264	2	Connector
37	3000-458	4	Screw, 6 x 16
38	3001-142	4	Washer
39	3000-689	1	Cover, Unit
40	3000-744	2	Screw, 6 x 35
41	3000-692	2	Clamp
42	3000-422	2	Collar
43	3000-745	2	Screw, 6 x 25
44	3000-278	12	Nut, 6 M/M
45	3000-105	12	Washer, Spring
46	3000-101	12	Washer
47	3000-914	4	Screw, 6 x 12
48	3001-283	1	Connector
49	3000-436	2	Washer
50	3000-455	2	Screw, 4 x 10
51	3001-284	5	Terminal
52	3001-074	1	Retainer, Pulley



## Recoil Starter

Ref. No.	Part No.	Qty.	Description
1-0	3001-285	1	Recoil Starter Assy.
1	3001-076	1	Case, Recoil
2	3001-077	1	Spring, Recoil
3	3001-078	1	Real, Recoil
4	3001-079	1	Washer (A)
5	3001-080	1	Spring
6	3001-081	1	Spring, Return
7	3001-082	3	Pawl
8	3001-083	3	Spring, Pawl
9	3001-084	1	Retainer, Cover

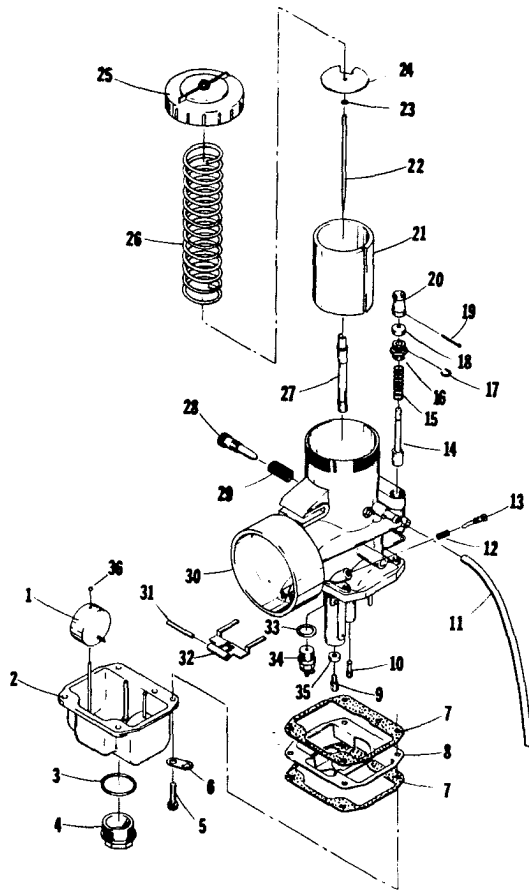
Ref. No.	Part No.	Qty.	Description
10	3000-919	1	Washer (B)
11	3000-044	1	Washer, Spring
12	3000-045	1	Nut, 8 M/M
13	3001-085	1	Pulley
14	3001-286	1	Rope
15	3000-122	1	Handle
16	3000-041	1	Piece, End
17	3000-755	3	Bolt, 6 x 16
18	3000-965	3	Bolt, 6 x 22



## Gear Reduction Unit (340 & 440)

Ref. No.	Part No.	Qty.	Description
1	3001-287	1	Case, Reducer 1
2	3001-288	1	O Ring
3	3001-289	4	Bolt, 8 x 23
4	3000-106	8	Washer, Spring
5	3001-290	1	Bearing, 6913MC3
6	3001-291	1	Pinion
8	3001-293	1	Bolt, 1/2" x 25
10	3001-294	1	Washer
11	3001-295	1	Gear
12	3000-050	1	Bearing, 6206 C3

Ref. No.	Part No.	Qty.	Description
13	3000-052	1	Seal, Oil
14	3001-296	1	Gasket, Case
15	3001-297	1	Case, Reducer 2
16	3001-298	4	Bolt, 8 x 50
17	3000-102	4	Washer
18	3001-299	1	Plug, Oil
19	3001-300	1	O Ring
20	3000-055	1	Joint
21	3001-301	1	Plug, Drain
22	3001-302	1	Gasket

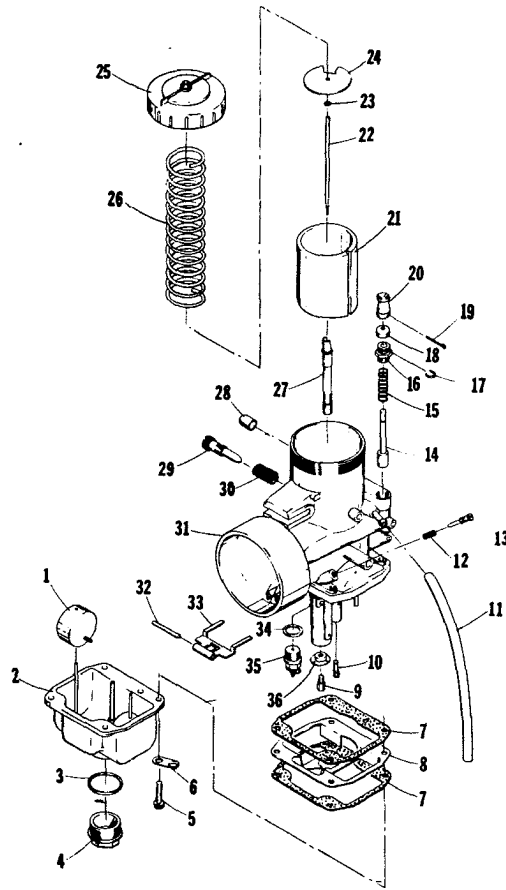


## Carburetor, VM - 36 (340)

Ref. No.	Part No.	Qty.	Description
1	6505-049	2	Float Assy.
2	6505-121	1	Float Chamber Body Assy.
3	6505-112	1	Washer
4	6505-113	1	Plug Screw
5	6505-095	4	Lock Washer/Screw
6	6505-094	2	Plate, Hose
7	6505-120	2	Gasket
8	6505-110	1	Plate, Float Chamber
9	6505-077	1	Main Jet
10	6505-029	1	Pilot Jet
11	6505-118	2	Hose
12	6505-020	1	Spring, Air Screw
13	6505-019	1	Air Screw
14	6505-082	1	Plunger, Starter
15	6505-083	1	Spring, Plunger
16	6505-085	1	Cap, Plunger
17	6505-084	1	Spring Clip
18	6505-086	1	Cap, Rubber

Ref. No.	Part No.	Qty.	Description
19	6505-088	1	Pin
20	6505-089	1	Starter Knob
21	6505-115	1	Piston Valve
22	6505-003	1	Jet Needle
23	6505-008	1	Spring Clip
24	6505-111	1	Plate
25	6505-116	1	Cover, Chamber
26	6505-031	1	Spring, Throttle Valve
27	6505-119	1	Needle Jet
28	6505-022	1	Screw, Throttle Stop
29	6505-021	1	Spring
30	6505-122	1	Mixing Body Assy.
31	6505-025	1	Float Pin
32	6505-104	1	Float Arm
33	6505-102	1	Valve Seat Washer
34	6505-103	1	Needle Valve Assy.
35	6505-114	1	Ring, Main Jet
36	6505-010	2	Cap

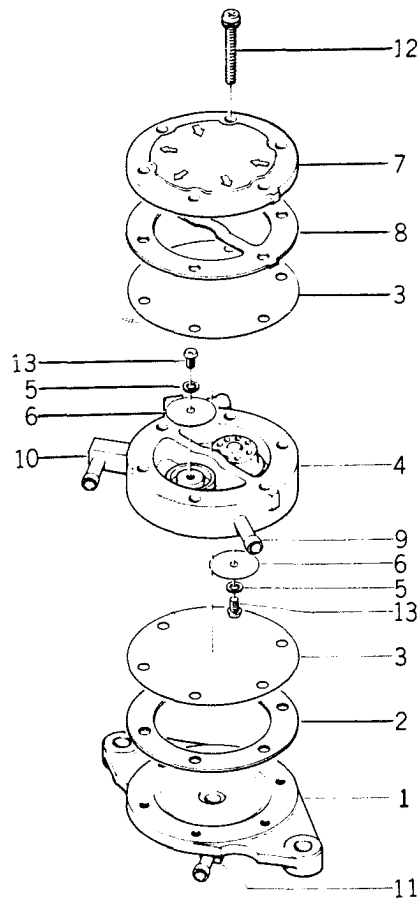




## Carburetor, VM - 40 (440 & 650)

Ref. No.	Part No.	Qty.	Description
1	6505-049	2	Float Assy.
2	6505-100	1	Float Chamber Body Assy.
3	6505-106	1	Washer
4	6505-105	1	Plug Screw
5	6505-095	4	Lock Washer/Screw
6	6505-094	2	Plate, Hose
7	6505-108	2	Gasket
8	6505-107	1	Plate, Float Chamber
9	6505-077	1	Main Jet
10	6505-029	1	Pilot Jet
11	6505-093	2	Hose
12	6505-020	1	Spring, Air Screw
13	6505-019	1	Air Screw
14	6505-082	1	Plunger, Starter
15	6505-083	1	Spring, Plunger
16	6505-085	1	Cap, Plunger
17	6505-084	1	Spring Clip
18	6505-086	1	Cap, Rubber

Ref. No.	Part No.	Qty.	Description
19	6505-088	1	Pin
20	6505-089	1	Starter Knob
21	6505-092	1	Piston Valve
22	6505-097	1	Jet Needle
23	6505-096	1	Spring Clip
24	6505-087	1	Plate
25	6505-090	1	Cover, Chamber
26	6505-091	1	Spring, Throttle Valve
27	6505-099	1	Needle Jet
28	6505-081	1	Cap
29	6505-101	1	Screw, Throttle Stop
30	6505-021	1	Spring
31	6505-109	1	Mixing Body Assy.
32	6505-025	1	Float Pin
33	6505-104	1	Float Arm
34	6505-102	1	Valve Seat Washer
35	6505-103	1	Needle Valve Assy.
36	6505-098	1	Ring, Main Jet



# Fuel Pump

Part No. 0109-463

\*Not a Serviceable Part

Ref. No.	Part No.	Qty.	Description
1	*	1	Body, Bottom
2	6505-059	1	Packing
3	6505-060	2	Diaphragm
4	*	1	Body, Top
5	6505-061	2	Packing
6	6505-062	2	Valve
7	*	1	Cap

Ref. No.	Part No.	Qty.	Description
8	6505-063	1	Packing
9	*	1	Pipe-A
10	*	2	Elbow
11	*	1	Elbow
12	6505-057	6	Screw
13	6505-058	2	Screw

