

OREC

ISSUSE NO. SH72-3

PARTS CATALOG BUSH CUTTER (EXPORT MODEL) SH72



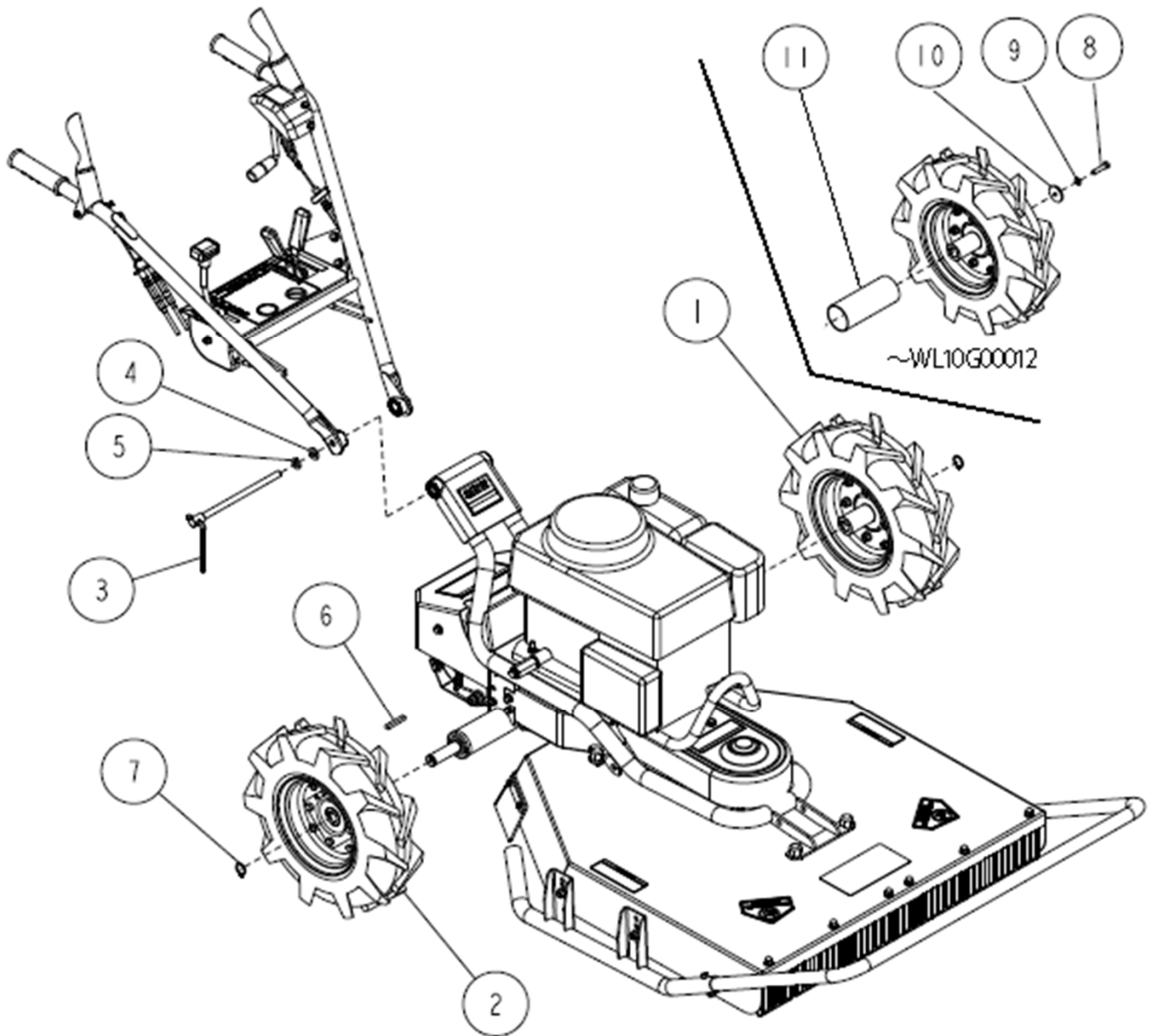
MODEL CODE
SH72 0220-00000

Serial Number : WL10J00013~

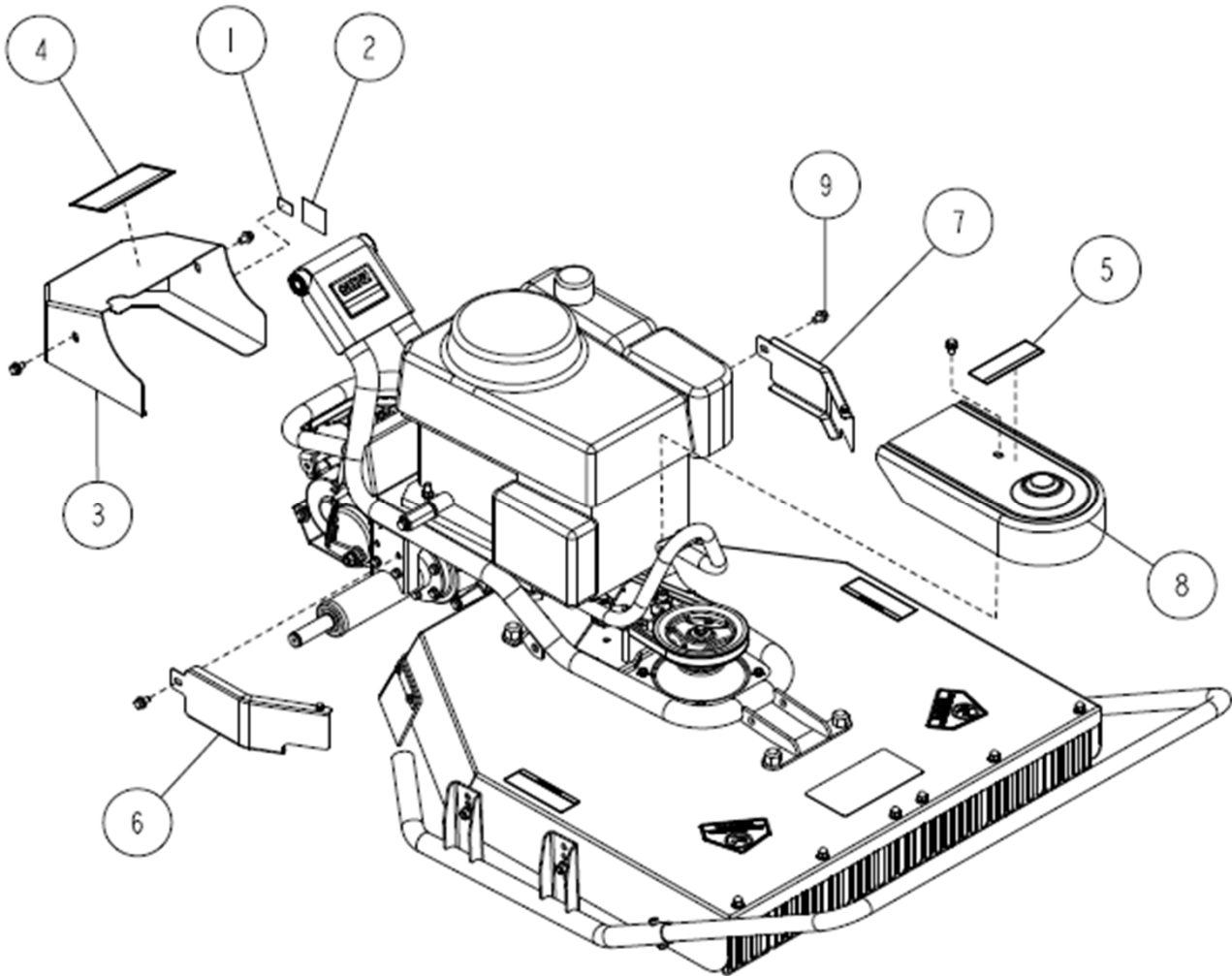
FRAME	1
REAR WHEEL	7
KNIFE COVER	9
HANDLE	12
TRANSMISSION	16

OREC CO.,LTD.

Update: August 2010



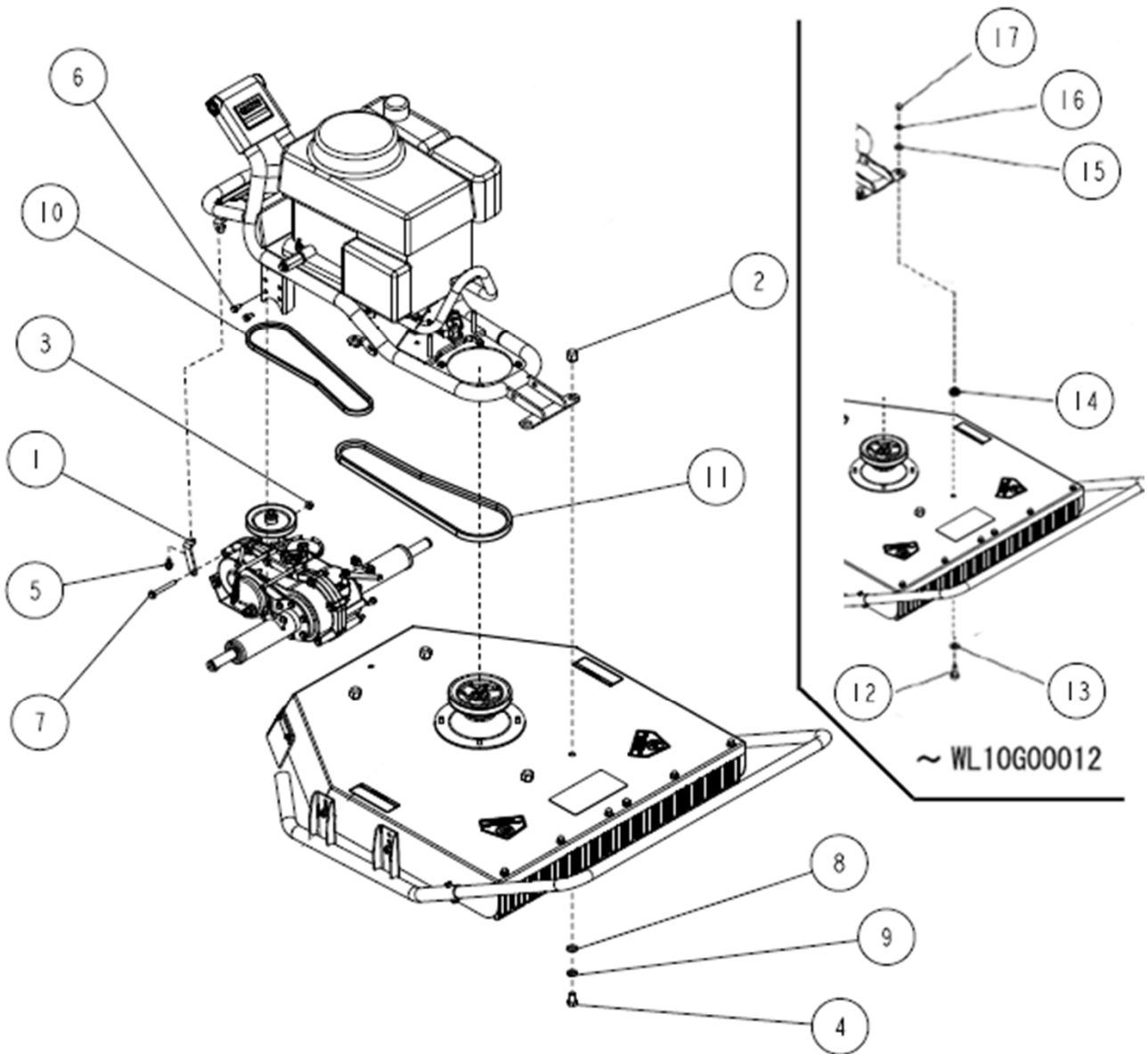
11	0258-70100	Axle Cover Pipe	2	~WL10G00012
10	83-1565-315-00	Washer 8x36x4.5	2	~WL10G00012
9	89-1750-080002	Spring Washer 8	2	~WL10G00012
8	83-1984-114-10	Mini Hexagon Bolt (8T) M8x35(Look)	2	~WL10G00012
7	89-2511-000220	Snap Ring (S22)	2	WL10J00013~
6	89-2150-070500	Key 7x50	2	
5	89-1750-120002	Spring Washer 12	1	
4	89-1714-120002	Washer 12x24x2.3	1	
3	0220-70400	Handle M12x210	1	
2	80-1711-412-00	Rear Wheel Assy (R)	1	Wheel Boss not included
1	80-1711-411-00	Rear Wheel Assy (L)	1	Wheel Boss not included
Ref.	Parts No.	Parts Name	Qty	Remark



9	89-1233-080162	Mini Hexagonal Bolt(SW.PW)M8X16	5	
8	0257-60500	Knife Pulley Cover	1	
7	0257-60300	Engine Pulley Cover (Left)	1	
6	0257-60100	Engine Pulley Cover (Right)	1	
5	0220-71100	Label, Caution for Belt Involving	1	
4	0220-70700	Label, Caution(Large)	1	
3	80-1417-504-10	Transmission Pulley Cover	1	
2	80-1020-932-00	Label, Noise 100db	1	
1	80-1010-933-00	Label, CE	1	
Ref.	Parts No.	Parts Name	Qty	Remark

FRAME 3

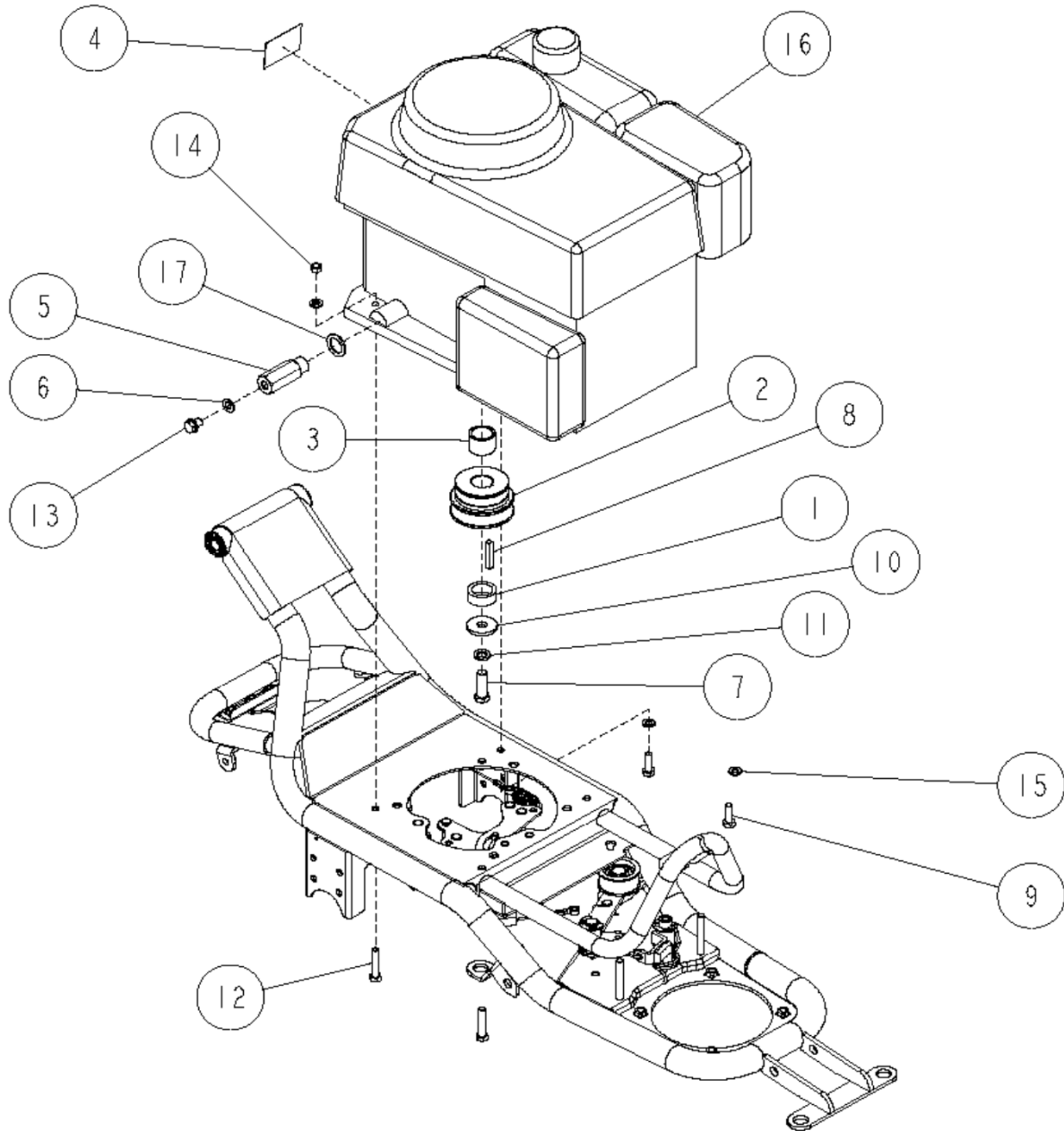
3/17



17	89-1671-100042	Mini Cap Nut M10	4	~WL10G00012
16	89-1750-100002	Spring Washer 10	4	~WL10G00012
15	89-1714-100002	Flat Washer 10x21x2	4	~WL10G00012
14	80-1450-719-00	Grommet	4	~WL10G00012
13	89-1714-120002	Flat Washer 12x24x2.3	4	~WL10G00012
12	80-1450-709-00	Bolt for Attaching Stay	4	~WL10G00012
11	89-6123-004501	V Belt LB-45	1	
10	89-6122-003600	V Belt LA-36	1	
9	89-1750-120002	Spring Washer 12	4	
8	89-1714-120002	Flat Washer 12X24X2.3	4	WL10J00013~
7	89-1251-080703	Flange Mini Hexagonal Bolt M8X70	1	
6	89-1235-080162	Mini Hexagonal Bolt(SW) M8X16(7T)	4	
5	89-1233-080162	Mini Hexagonal Bolt(SW.PW) M8X16	1	
4	89-1113-120202	Hexagonal Bolt(8T) M12X20	4	WL10J00013~
3	83-1484-255-00	Lock Nut ZUF M8	1	
2	0220-61400	Nut for Attaching Stay	4	WL10J00013~
1	80-1417-198-00	Transmission Arm	1	
Ref.	Parts No.	Parts Name	Qty	Remark

FRAME 4

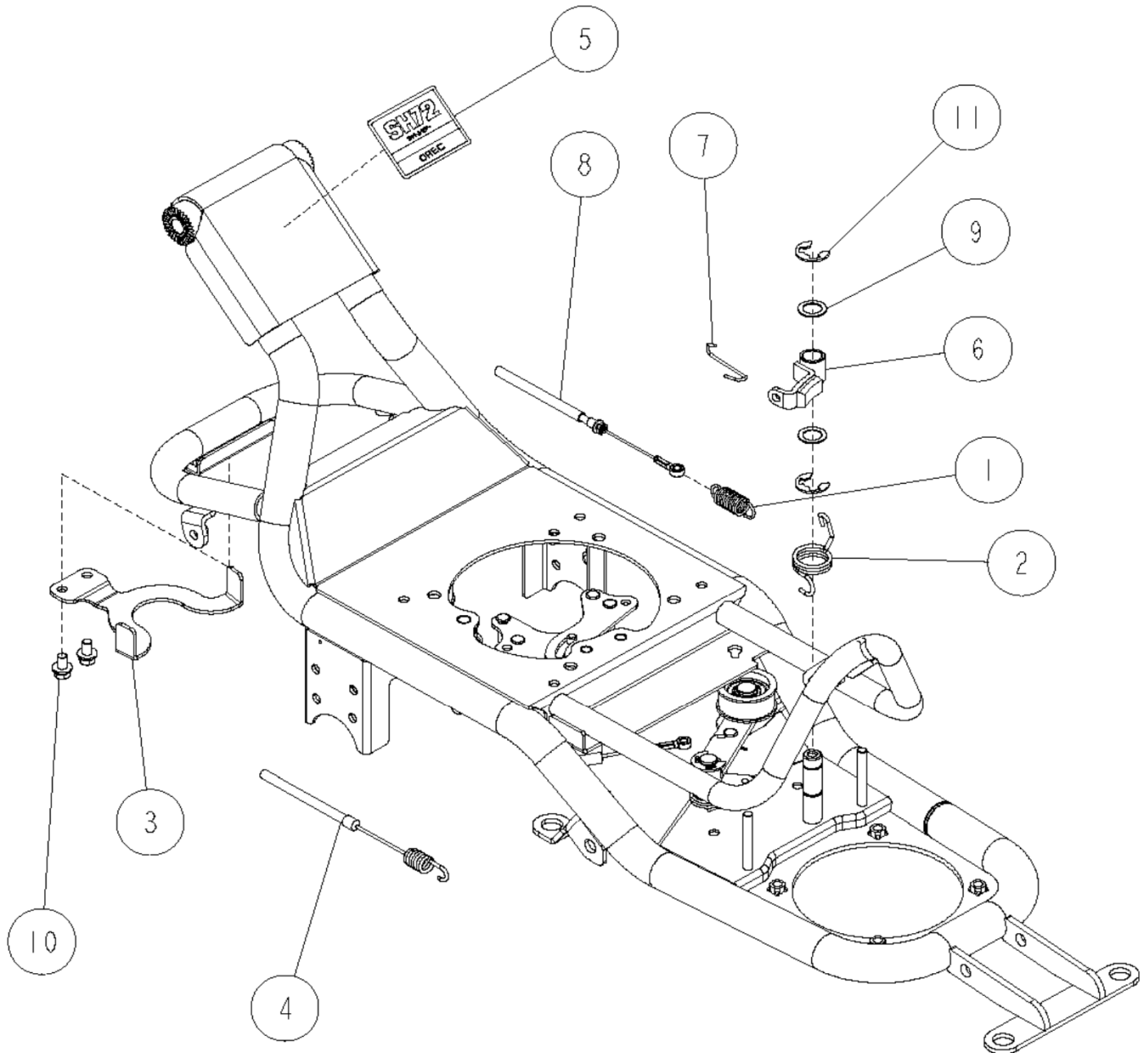
4/17



17	-	Packing 20 (Engine Parts)	1	
16	GXV340	Engine	1	
15	89-1750-080002	Spring washer 8	4	
14	89-1611-080042	Mini Hexagonal Nut M8	2	
13	89-1252-100122	Flange Mini Hexagonal Bolt M10x12(P1.25)	1	
12	89-1213-080402	Mini Hexagonal Bolt (8T) M8X40	2	
11	83-1493-300-00	Spring Washer 7/16	1	
10	83-1482-319-00	Flat Washer 11x36x4.5	1	
9	83-1482-116-00	Hexagonal Bolt (8T)UNF5/16-24x25	2	
8	83-1437-205-00	Key 1/4inchx40	1	
7	83-1437-115-00	Hexagonal Bolt UNF7/16-20x35	1	
6	83-1020-349-00	Copper Packing 10.5x18x1.6	1	
5	0220-40100	Extension Drain	1	
4	-	Label, Warning (Engine Parts)	1	
3	80-1437-516-10	Pulley Collar(L23)	1	
2	0258-40100	Engine Pulley	1	
1	80-1330-515-10	Pulley Collar(L13)	1	
Ref.	Parts No.	Parts Name	Qty	Remark

FRAME 5

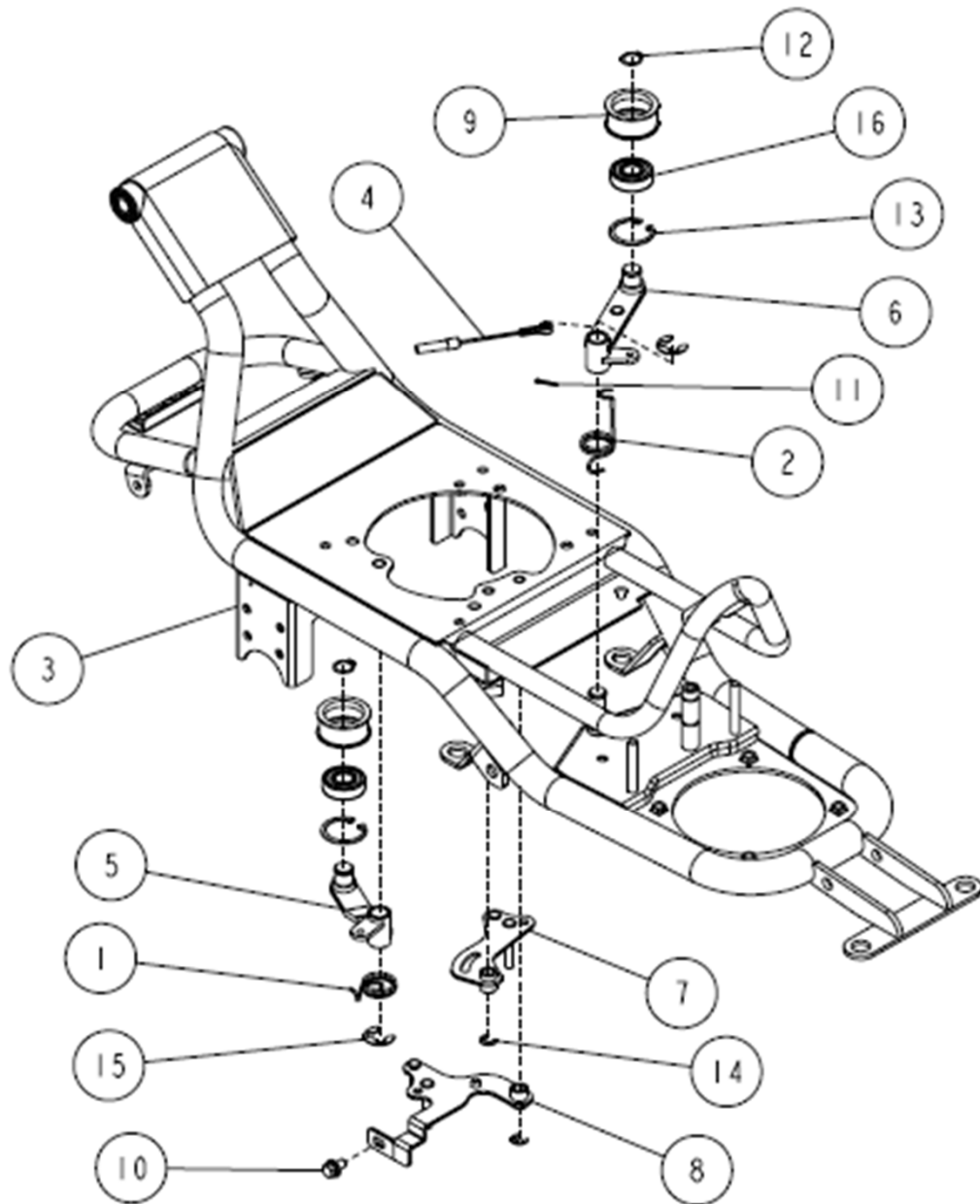
5/17



11	89-2521-000150	E Type Ring 15	2	
10	89-1233-080162	Mini Hexagonal Bolt (SW.PW) M8X16	2	
9	83-1020-363-00	Thrust Washer 16X24X1.0	2	
8	0257-70200	Differential Lock Wire	1	
7	0257-41100	Brake Rod	1	
6	0231-37100	Blade Brake	1	
5	0220-71200	Label SH72	1	
4	0220-70100	Driving Clutch Cable	1	
3	80-1417-527-10	Driving Belt Stopper	1	
2	80-1417-373-00	Return Spring	1	
1	80-1417-155-00	Spring	1	
Ref.	Parts No.	Parts Name	Qty	Remark

FRAME 6

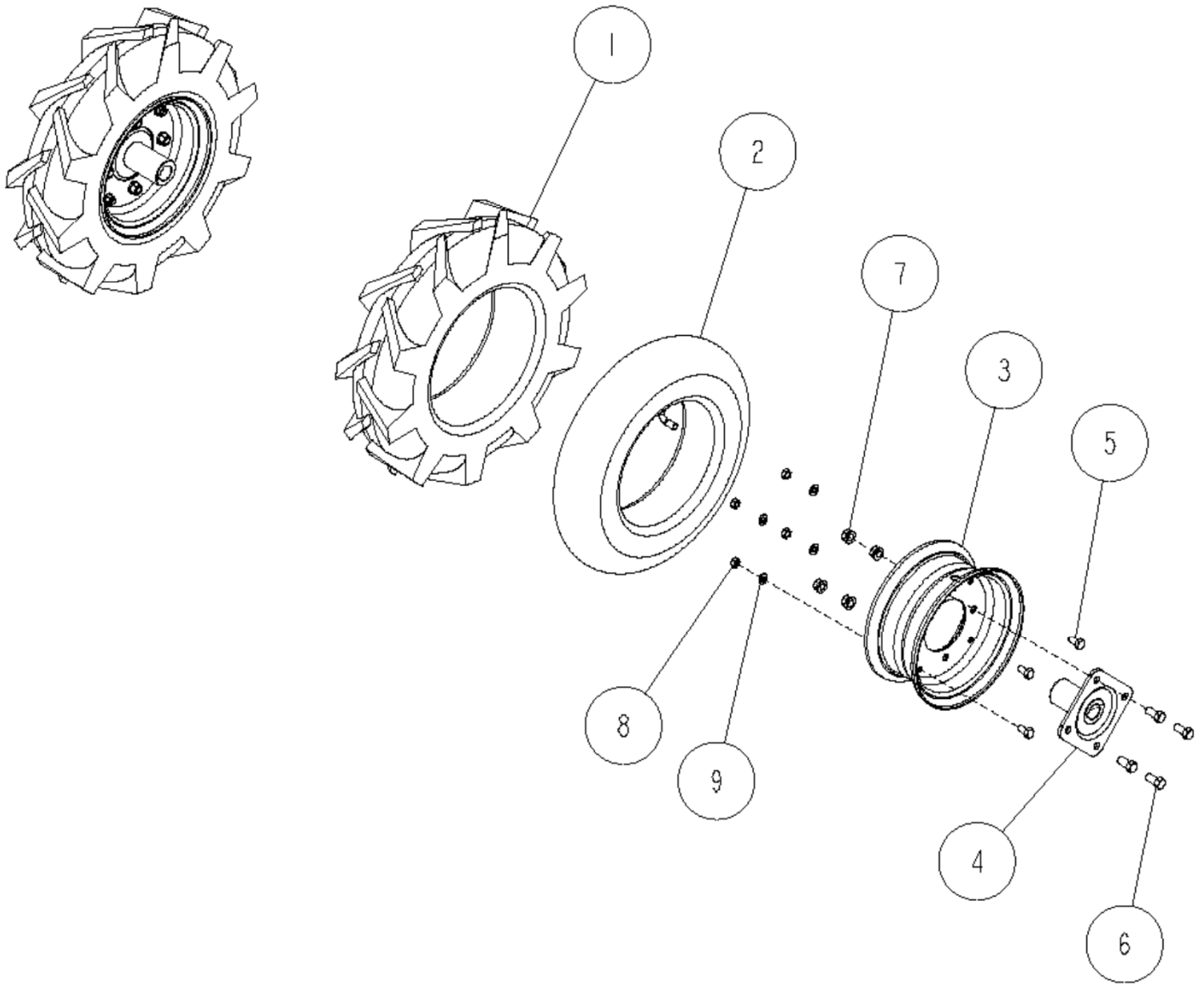
6/17



16	89-3115-062034	Bearing 6203 2RS	2	
15	89-2521-000150	E Type Ring 15	2	
14	89-2521-000080	E Type Ring 8	2	
13	89-2512-000400	Snap Ring (R40)	2	
12	89-2511-000170	Snap Ring (S17)	2	
11	89-2120-200152	Split Pin 2X15	1	
10	89-1233-080162	Mini Hexagonal Bolt(SW.PW)M8X16	1	
9	83-1032-765-00	Tension Pulley	2	
8	0257-40500	Engine Belt Stopper B CMP	1	
7	0257-40300	Engine Belt Stopper A CMP	1	
6	0231-54600	Knife Tension Arm	1	
5	0231-54200	Tension Arm	1	
4	0220-70210	Blade Clutch Cable	1	WL10J00013~
	0220-70200	Blade Clutch Cable	1	~WL10G00012
3	0220-20100	Frame CMP	1	
2	80-1417-568-00	Return Spring	1	
1	80-1417-552-00	Return Spring	1	
Ref.	Parts No.	Parts Name	Qty	Remark

REAR WHEEL

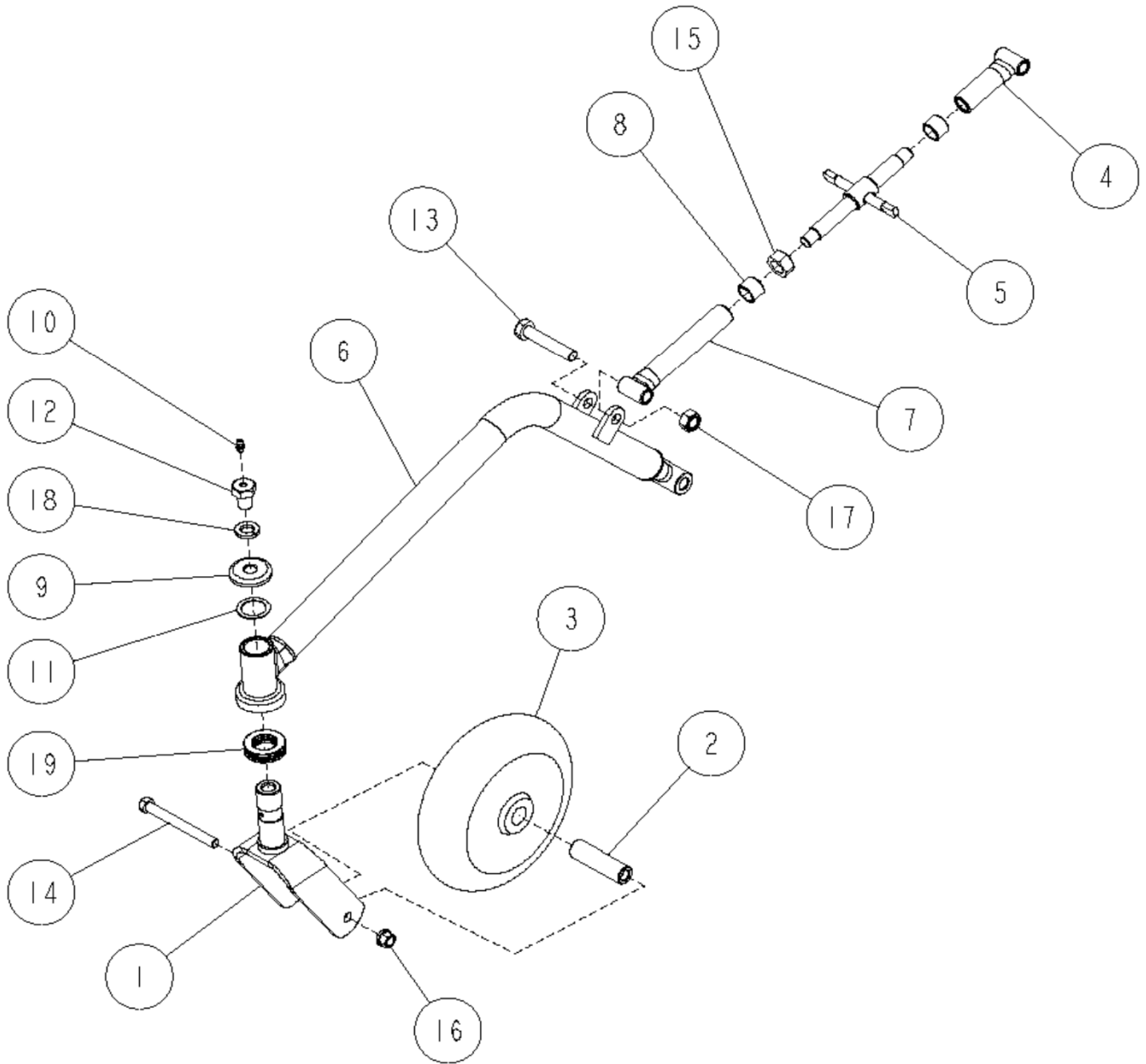
7/17



9	89-1750-080002	Spring Washer 8	8	
8	89-1611-080042	Mini Hexagonal Nut M8	8	
7	89-1543-100002	Mini Hexagonal Nut (SW) M10	8	
6	89-1211-100202	Mini Hexagonal Bolt M10X20	8	
5	89-1111-080162	Hexagonal Bolt M8X16	8	
4	0258-30100	Wheel Boss CMP	2	
3	80-1711-407-00	Wheel ASSY(4.00-7)	2	
2	80-1711-404-00	Tire Tube (4.00-7)	2	
1	80-1711-401-00	Tire (4.00-7)	2	
Ref.	Parts No.	Parts Name	Qty	Remark

FRONT ARM

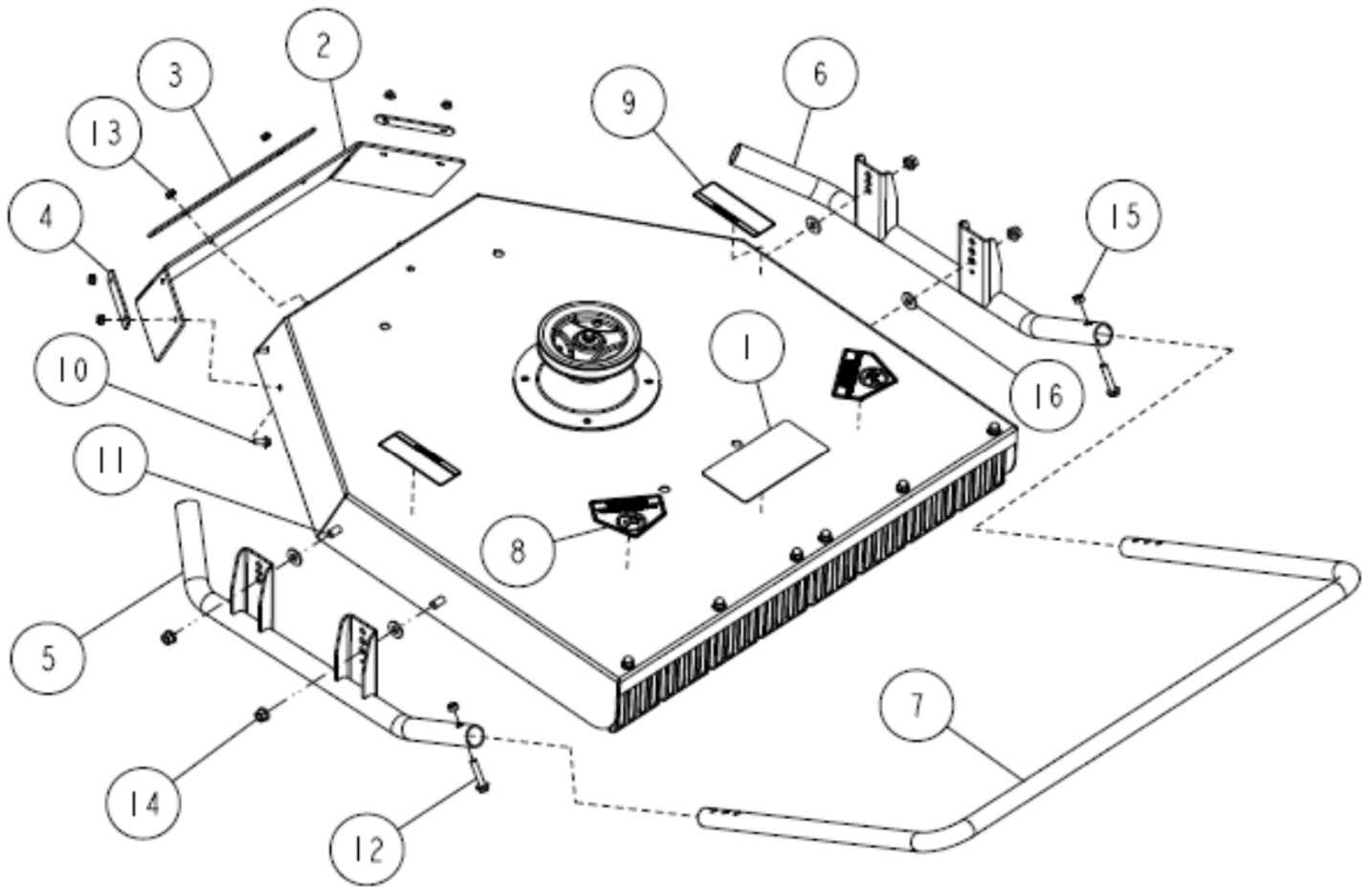
8/17



19	89-3370-051105	Thrust Bearing 51105	1	
18	89-1750-140002	Spring Washer 14	1	
17	89-1551-120002	Hexagonal U Nut M12	1	
16	89-1543-100002	Mini Hexagonal Nut (SW) M10	1	
15	89-1511-160042	Hexagonal Nut M16	1	
14	89-1211-100952	Mini Hexagonal Bolt M10X95	1	
13	89-1111-120652	Hexagonal Bolt M12X60	1	
12	84-1783-791-00	Grease Nipple Bolt M14	1	
11	83-1783-376-00	Thrust Washer 25X34X1.0	1	
10	83-1415-975-00	Grease Nipple M6	1	
9	0256-60700	Dust Cover	1	
8	0231-74300	Cutting Height Adjustment Collar	2	
7	0231-74200	Receiver for Adjusting Bolt (R)	1	
6	0220-60900	Front Wheel Arm CMP	1	
5	0212-74300	Cutting Height Adjustment Bolt	1	
4	0212-74100	Receiver for Adjusting Bolt(L)	1	
3	80-1614-727-00	Front Wheel	1	
2	80-1614-726-00	Front Wheel Collar	1	
1	80-1614-725-20	Front Wheel Folk CMP	1	
Ref.	Parts No.	Parts Name	Qty	Remark

KNIFE COVER 1

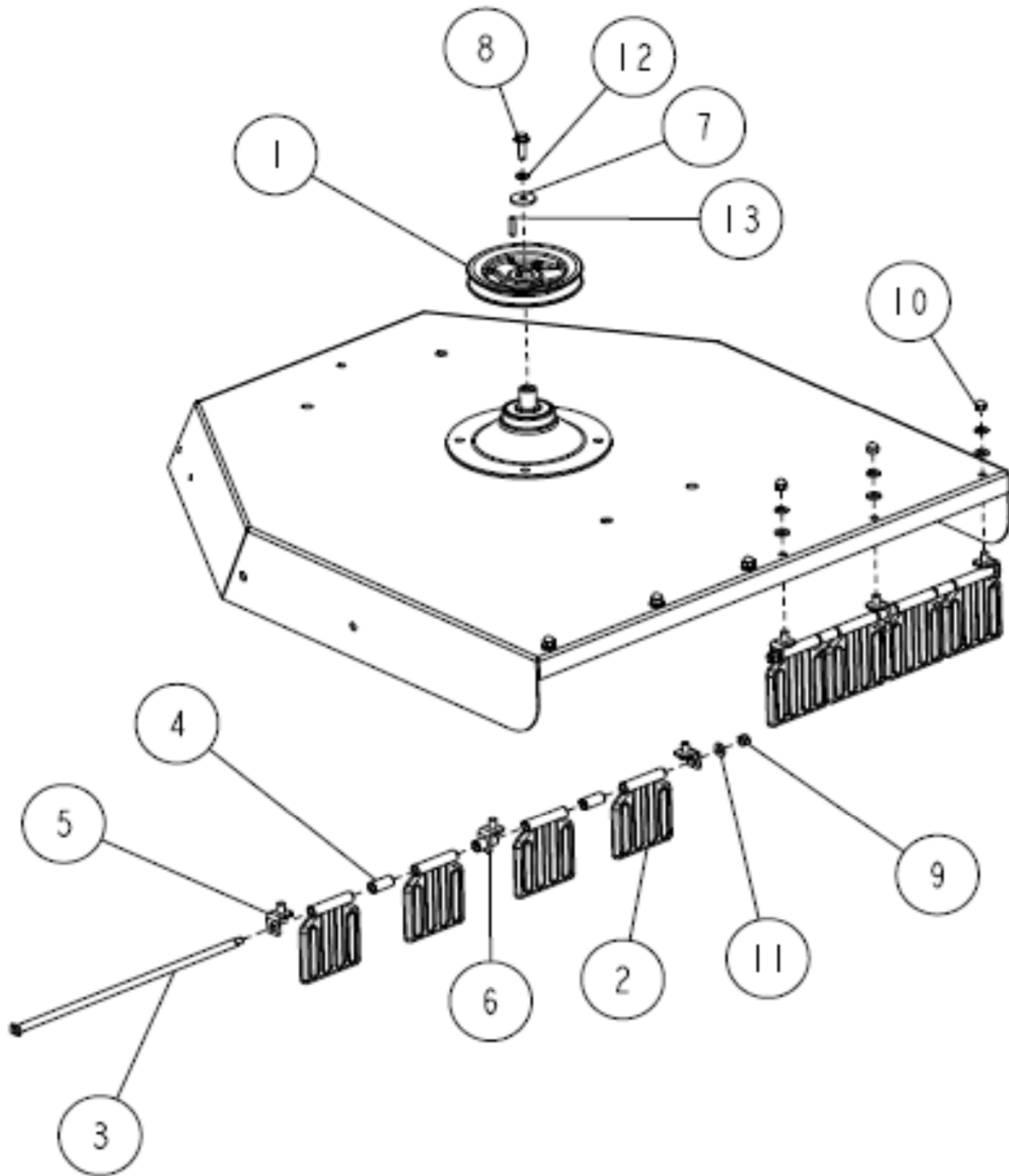
9/17



16	89-1713-100002	Flat Washer 11X25X2.3	4	
15	89-1561-080002	Hexagonal U Nut M8	2	
14	89-1543-100002	Hexagonal Nut (SW) M10	4	
13	89-1531-060042	Flange Nut M6	6	
12	80-1021-227-00	Handle Fixing Bolt M8*45	2	
11	89-1213-100202	Mini Hexagonal Bolt(8T) M10X20	4	
10	89-1137-060172	Hexagonal Bolt (PW) M6X17	6	
9	0220-70900	Label, Caution for Knife B	2	
8	0220-70800	Label, Caution for Knife A	2	
7	0220-61700	Front Guard Pipe CMP	1	
6	0220-61600	Skid L CMP	1	
5	0220-61500	Skid R CMP	1	
4	0220-61300	Supporter for Flapper B	2	
3	0220-61200	Supporter for Flapper A	2	
2	0220-61110	Rear Flapper	1	WL10J00013~
1	0220-71700	Label, OREC A	1	WL11A00001~
Ref.	Parts No.	Parts Name	Qty	Remark

KNIFE COVER 2

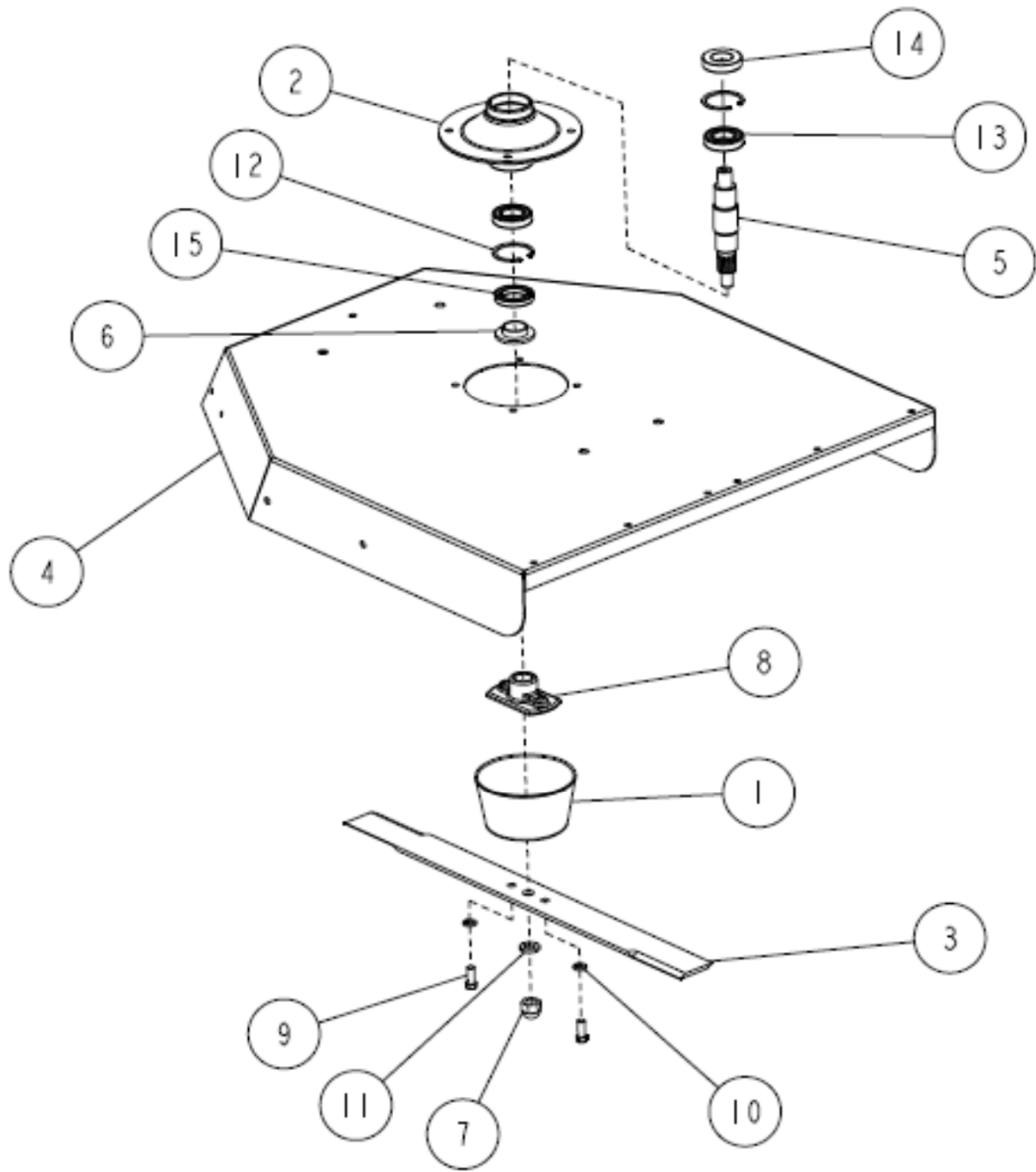
10/17



13	89-2151-050250	Key 5X25 (Half Round)	1	
12	89-1750-080002	Spring Washer 8	7	
11	89-1711-080002	Flat Washer 8X18X1.6	8	
10	89-1671-080042	Mini Cap Nut M8	6	
9	89-1561-080002	Hexagonal U Nut M8 (lock)	2	
8	89-1253-080252	Flange Mini Hexagonal Bolt (8T) M8X25	1	
7	83-1020-312-00	Flat Washer 8X30X3.2	1	
6	0220-61900	Flapper Stay CMP B	2	
5	0220-61800	Flapper Stay CMP A	4	
4	0220-60510	Spacer for Front Flapper	4	
3	0220-60420	Front Flapper Shaft	2	
2	0220-60310	Front Flapper CMP	8	
1	80-1415-571-10	Knife Pulley	1	
Ref.	Parts No.	Parts Name	Qty	Remark

KNIFE COVER 3

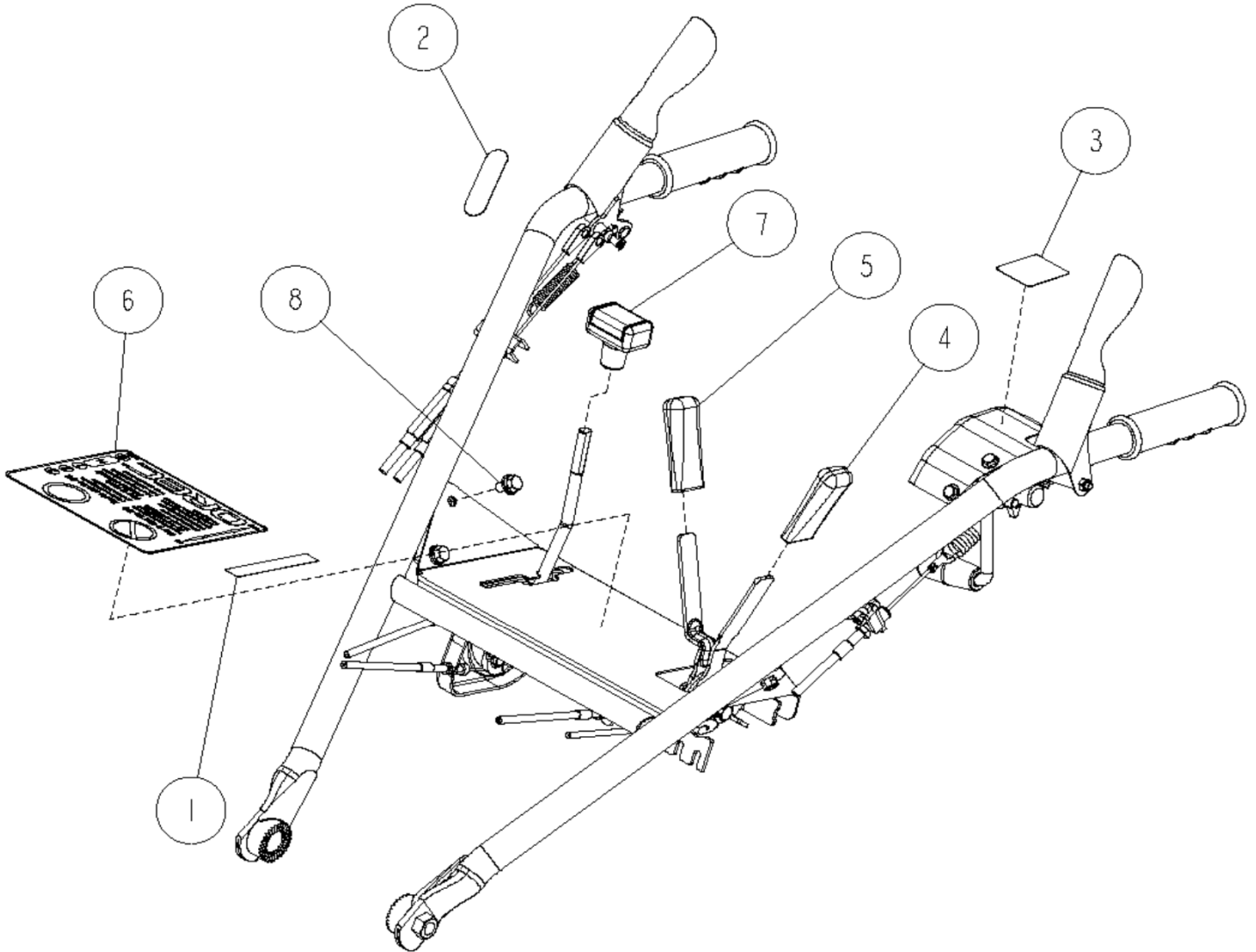
11/17



15	89-5121-355508	Oil Seal UE 35.55.08	1	
14	89-5121-305512	Oil Seal UE 30.55.12	1	
13	89-3115-060064	Bearing 6006 2RS	2	
12	89-2512-000550	Snap Ring(R55)	2	
11	89-1750-160002	Spring Washer 16	1	
10	89-1750-100002	Spring Washer 10	2	
9	89-1213-100252	Mini Hexagonal Bolt (8T) M10X25	2	
8	84-1763-833-00	Knife Bracket	1	
7	83-1732-175-00	Cap Nut M16(Lock)	1	
6	83-1415-662-00	Oil Seal DP 30.35.54.5.10.16	1	
5	0231-64100	Knife Axle	1	
4	0220-60120	Knife Cover CMP	1	
3	80-1445-821-00	Bar Knife	1	
2	80-1417-601-00	Knife BB Case	1	
1	80-1415-836-00	Knife Neck Guard	1	
Ref.	Parts No.	Parts Name	Qty	Remark

HANDLE 1

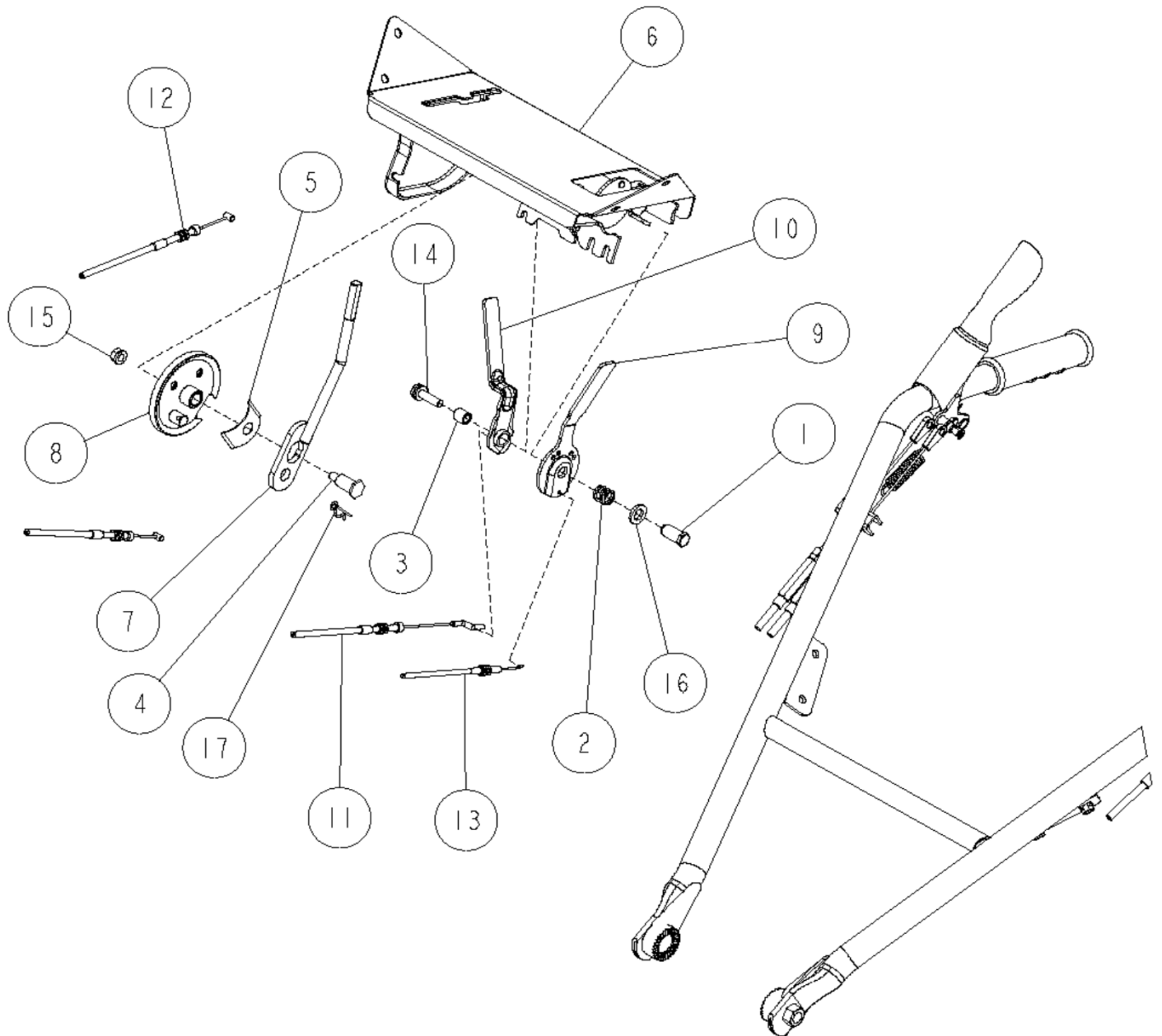
12/17



8	89-1233-080162	Mini Hexagonal Bolt (SW.PW) M8X16	4	
7	83-1417-435-00	Lever Grip(Red)	1	
6	0220-71600	Label, Operation	1	
5	80-1515-262-00	Arm Grip(Black)	1	
4	80-1484-262-00	Arm Grip(Red)	1	
3	80-1417-918-10	Label, Cutting	1	
2	80-1417-914-10	Label, Drivng	1	
1	80-1020-913-10	Throttle Label	1	
Ref.	Parts No.	Parts Name	Qty	Remark

HANDLE 2

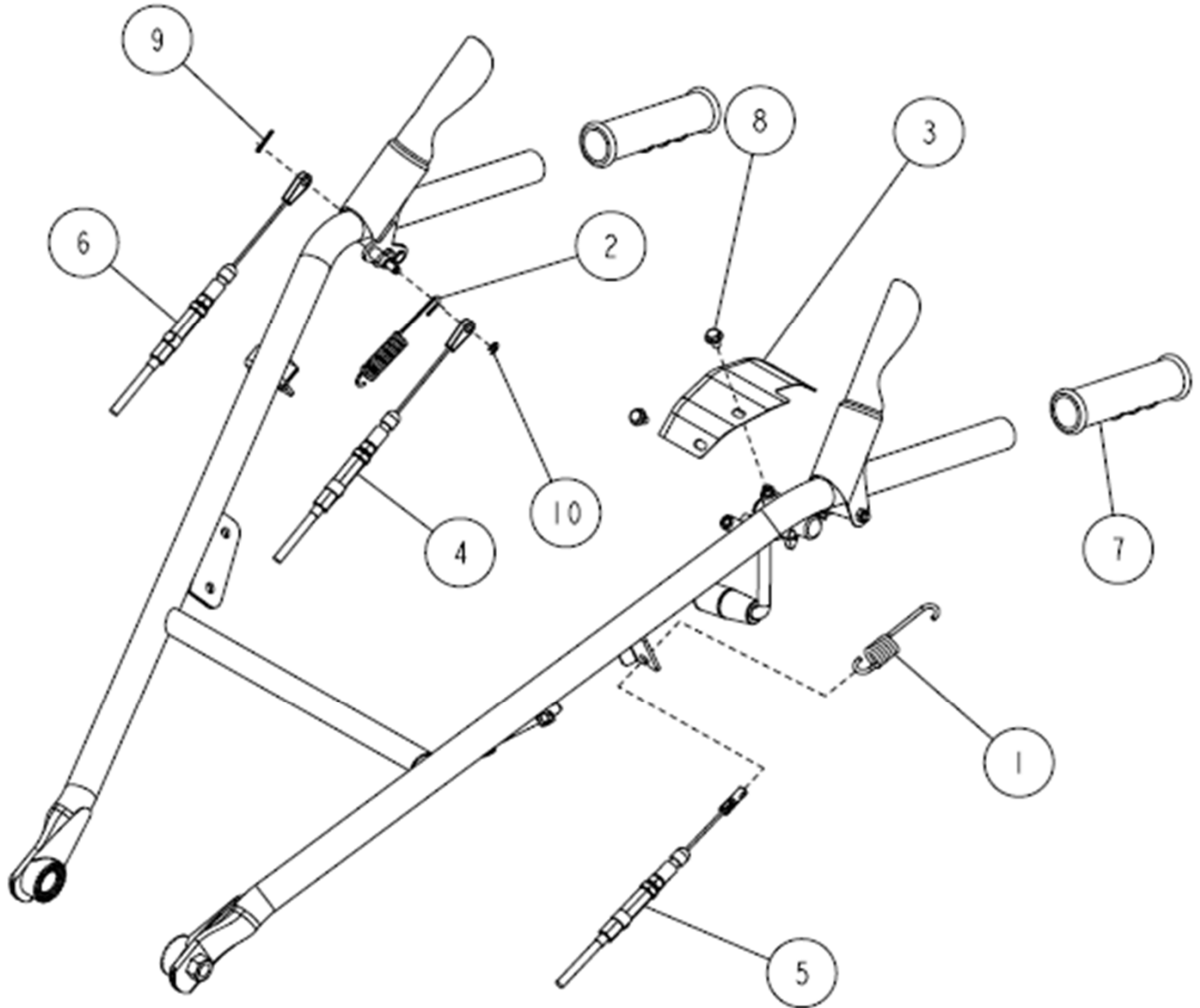
13/17



17	89-2131-120002	Snap Pin 12	1	
16	89-1711-120003	Flat Washer 12X21X2.5	1	
15	89-1543-080002	Hexagonal Nut (SW) M8	1	
14	89-1139-080302	Hexagonal Bolt (PWSW) M8X30	1	
13	83-1437-952-10	Throttle Cable	1	
12	0257-70400	Change Cable	2	
11	0257-70200	Differential Lock Cable	1	
10	80-1484-273-10	Differential Lock Lever CMP	1	
9	80-1437-261-00	Throttle Lever	1	
8	80-1417-266-10	Wire Guide B	1	
7	80-1417-263-00	Change Lever	1	
6	80-1417-223-00	Control Panel CMP	1	
5	80-1310-268-00	Non Flap Spring	1	
4	80-1210-267-00	Wire Guide Axle	1	
3	80-1020-270-00	Inner Collar	1	
2	80-1020-263-00	Control Lever Shaft Spring	1	
1	80-1020-262-00	Control Lever Shaft	1	
Ref.	Parts No.	Parts Name	Qty	Remark

HANDLE 3

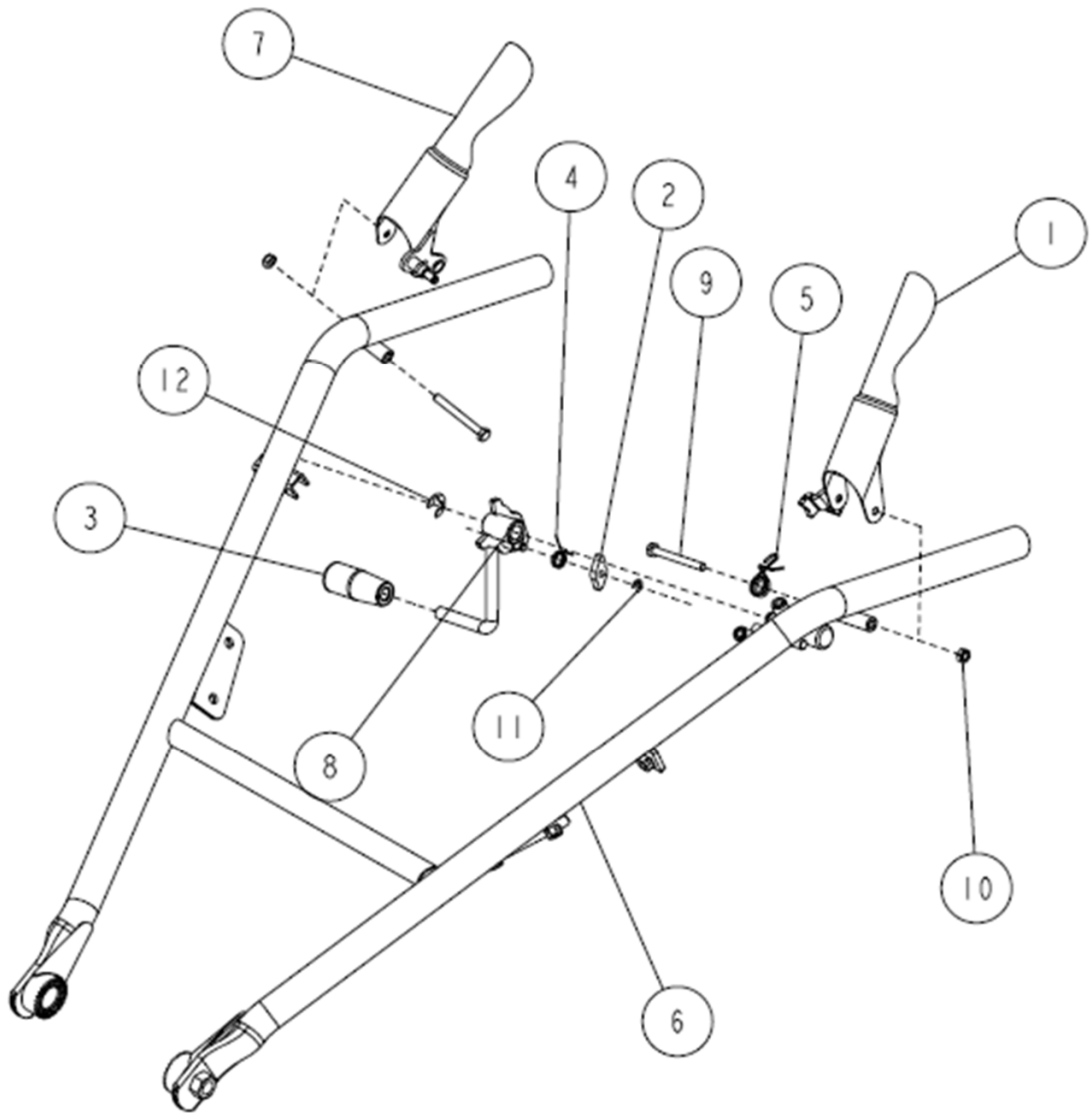
14/17



10	89-2521-000050	E Type Ring 5	1	
9	89-2120-200152	Split Pin 2X15	1	
8	89-1137-060122	Hexagonal Bolt (PW) M6X12	2	
7	83-1560-414-00	Handle Grip 27	2	
6	0220-70300	Parking Brake Cable	1	
5	0220-70210	Blade Clutch Cable	1	WL10J00013~
	0220-70200	Blade Clutch Cable	1	~WL10G00012
4	0220-70100	Drivng Clutch Cable	1	
3	0220-10300	Upper Cover	1	
2	0211-20600	Parking Brake Spring	1	
1	80-1417-966-00	Blade Clutch Spring	1	
Ref.	Parts No.	Parts Name	Qty	Remark

HANDLE 4

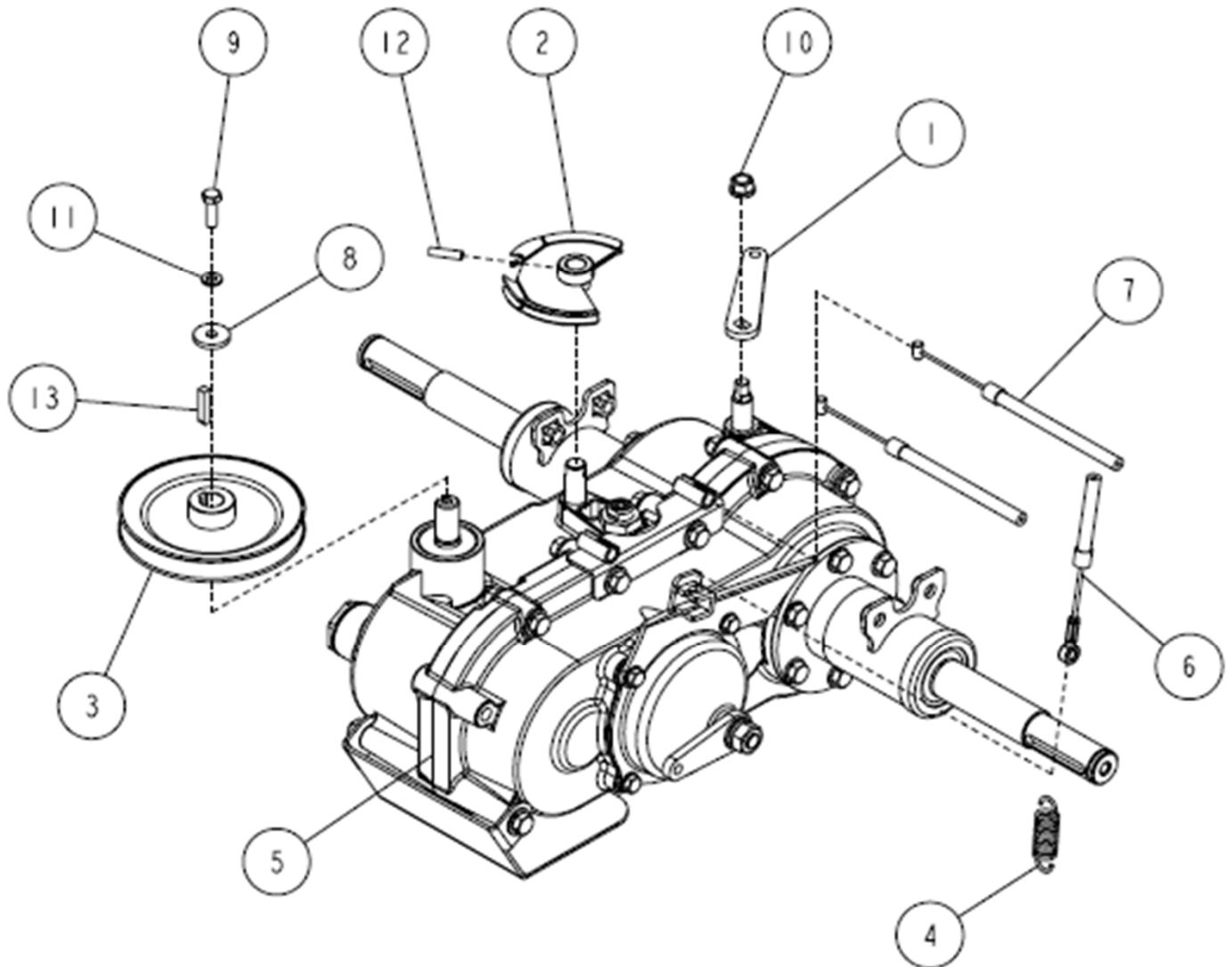
15/17



12	89-2521-000100	E Type Ring 10	1	
11	89-2521-000050	E Type Ring 5	1	
10	89-1551-060002	Hexagonal U Nut M6	2	
9	89-1113-060552	Hexagonal Bolt (8T) M6X55	2	
8	0231-25200	Blade Tension Lever	1	
7	0220-10200	Driving Clutch Lever	1	
6	0220-10110	Handle CMP	1	WL10J00013~
	0220-10100	Handle CMP	1	~WL10G00012
5	80-1417-973-10	Blade Clutch Lever Return Spring	1	
4	80-1417-972-20	Spring for Stopper Return	1	
3	80-1417-255-00	Lever Grip(Red) 10	1	
2	80-1417-253-00	Stopper	1	
1	80-1417-251-20	Blade Clutch Lever CMP	1	
Ref.	Parts No.	Parts Name	Qty	Remark

TRANSMISSION 1

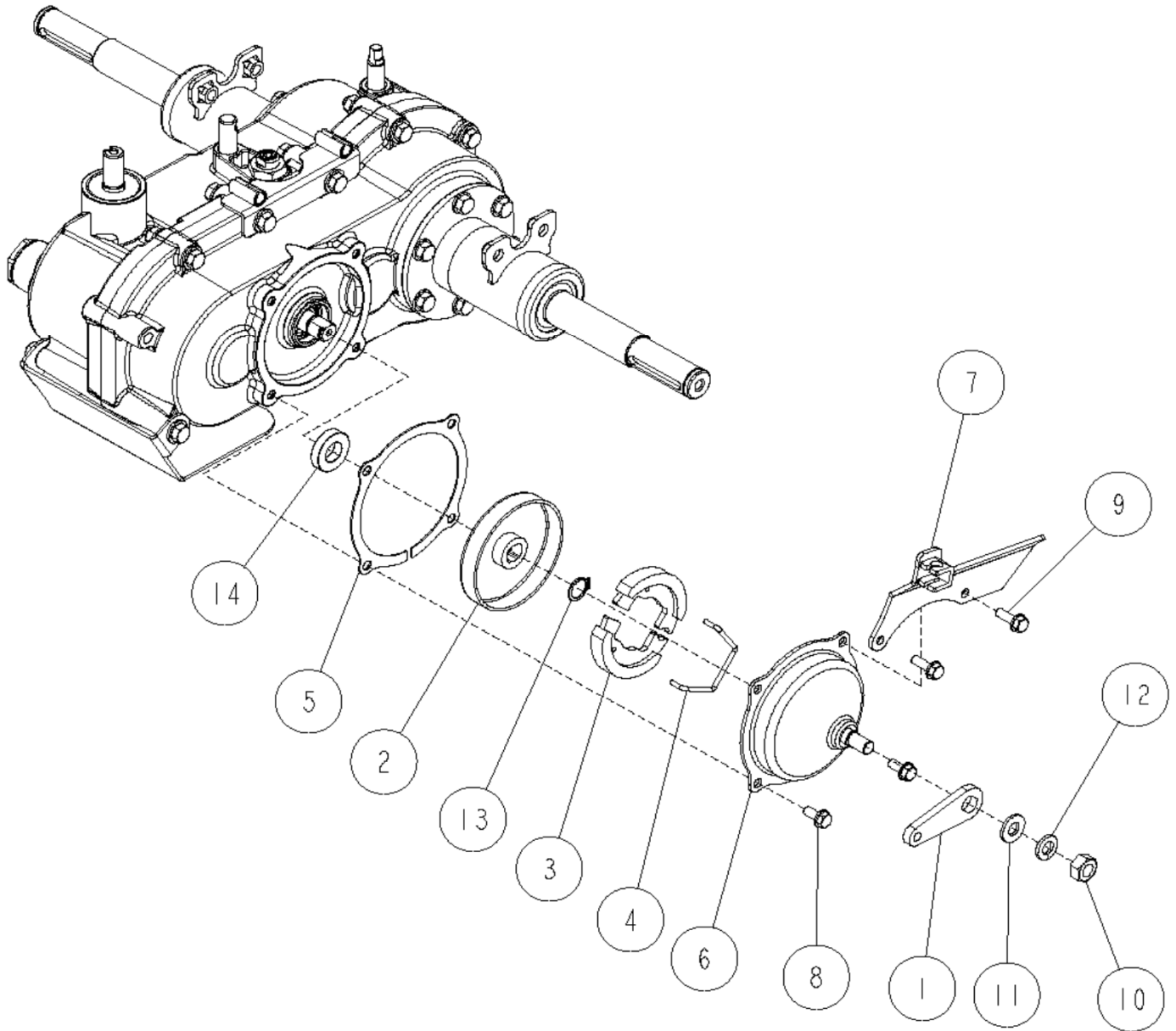
16/17



13	89-2151-050250	Key (half round) 5X25	1	
12	89-2111-050020	Spring Pin 5X20	1	
11	89-1750-060002	Spring Washer 6	1	
10	89-1543-080002	Mini Hexagonal Nut (SW) M8	1	
9	89-1113-060202	Hexagonal Bolt (8T) M6X20	1	
8	83-1482-311-00	Washer 6.5X22X3.2	1	
7	0257-70400	Change Cable	2	
6	0220-70300	Parking Brake Wire	1	
5	0220-00010	Transmission Case Assy	1	WL10J00013~
	0220-00000	Transmission Case Assy	1	~WL10G00012
4	80-1614-315-00	Return Spring	1	
3	80-1417-521-10	Transmission Pulley	1	
2	80-1417-191-00	Wire Guard A	1	
1	80-1417-153-00	Differential Lock Arm	1	
Ref.	Parts No.	Parts Name	Qty	Remark

TRANSMISSION 2

17/17



14	89-5121-153007	Oil Seal UE 15.30.07	1	
13	89-2511-000150	Snap Ring (S15)	1	
12	89-1750-100002	Spring Washer 10	1	
11	89-1712-100000	Flat Washer 10X21X2	1	
10	89-1511-100042	Hexagonal Nut M10	1	
9	83-1035-148-00	Tapping Bolt M6X18	2	
8	83-1020-148-00	Tapping Bolt M6X14	2	
7	0220-00100	Receiver for Brake Wire	1	
6	0207-73100	Brake Cap	1	
5	0207-04100	Brake Cover PK (PA-7)	1	
4	80-1030-285-00	Spring for Brake Shoe Return	1	
3	0244-88100	Brake Shoe (PA-7)	1	
2	80-1030-282-00	Brake Drum (PA-7)	1	
1	80-1030-271-00	Brake Arm	1	
Ref.	Parts No.	Parts Name	Qty	Remark