

ISO/TC 104/SC 04

Date: 2014-07-16

ISO/DIS 9897-2

ISO/TC 104/SC 04/WG 03

Secretariat: ANSI

Freight containers — Container equipment data exchange (CEDEX) — Part 2: Refrigerated containers

*Conteneurs pour le transport de marchandises — Échange de données sur les équipements de conteneurs
(CEDEX — Partie 2: Les conteneurs frigorifiques)*

Warning

This document is not an ISO International Standard. It is distributed for review and comment. It is subject to change without notice and may not be referred to as an International Standard.

Recipients of this draft are invited to submit, with their comments, notification of any relevant patent rights of which they are aware and to provide supporting documentation.

Document type: International Standard

Document subtype:

Document stage: (40) Enquiry

Document language: E

Copyright notice

This ISO document is a Draft International Standard and is copyright-protected by ISO. Except as permitted under the applicable laws of the user's country, neither this ISO draft nor any extract from it may be reproduced, stored in a retrieval system or transmitted in any form or by any means, electronic, photocopying, recording or otherwise, without prior written permission being secured.

Requests for permission to reproduce should be addressed to either ISO at the address below or ISO's member body in the country of the requester.

ISO copyright office
Case postale 56 • CH-1211 Geneva 20
Tel. + 41 22 749 01 11
Fax + 41 22 749 09 47
E-mail copyright@iso.org
Web www.iso.org

Reproduction may be subject to royalty payments or a licensing agreement.

Violators may be prosecuted.

Contents

	Page
1	Scope 1
2	Normative references 1
3	Principle 1
4	Data elements and codes 2
4.1	Data elements 2
4.2	Data assignments 2
4.3	Updating data elements 3
	Annex A (normative) Code - Message types 4
	Annex B (normative) Structural condition, repair condition, outside coating, inside coating, full /empty indicator 5
B.1	Structural condition, repair condition, outside coating, inside coating 5
B.2	Full/empty indicator 5
	Annex C (normative) Damage Location 6
C.1	All container bodies and refrigeration units 6
C.2	Ancillary equipment 12
	Annex D (normative) Damage types 13
	Annex E (normative) Material types 17
	Annex F (normative) Repair types 18
	Annex G (normative) Measure unit specifier, repair size dimension and work scales 24
G.1	Measure unit specifier 24
G.2	Size of repair 25
G.3	Scale 25
	Annex H (normative) Responsibility 26
	Annex I (normative) Components of the general purpose container 27
I.1	Components of refrigerated containers 27
I.2	Components applicable to marking 35
I.3	Miscellaneous 37
I.4	Components specific to thermal containers (insulated carcass) 37
	Annex J (normative) Illustrations of Thermal Container Component Codes 42
	Annex K (normative) Components of Refrigeration Machinery 46
K.1	Components of Refrigeration Machinery 46
K.2	Miscellaneous – Location: MZNN 80
	Annex L (normative) Illustrations of Refrigeration Machinery Component Codes 82
	Annex M (informative) Alphabetical list of CEDEX codes 91

Foreword

ISO (the International Organization for Standardization) is a worldwide federation of national standards bodies (ISO member bodies). The work of preparing International Standards is normally carried out through ISO technical committees. Each member body interested in a subject for which a technical committee has been established has the right to be represented on that committee. International organizations, governmental and non-governmental, in liaison with ISO, also take part in the work. ISO collaborates closely with the International Electrotechnical Commission (IEC) on all matters of electrotechnical standardization.

International Standards are drafted in accordance with the rules given in the ISO/IEC Directives, Part 2.

The main task of technical committees is to prepare International Standards. Draft International Standards adopted by the technical committees are circulated to the member bodies for voting. Publication as an International Standard requires approval by at least 75 % of the member bodies casting a vote.

Attention is drawn to the possibility that some of the elements of this document may be the subject of patent rights. ISO shall not be held responsible for identifying any or all such patent rights.

ISO 9897-2 was prepared by Technical Committee ISO/TC 104, *Freight containers*, Subcommittee SC 04, *Identification and communication*.

This first edition of ISO 9897-2, together with ISO 9897-1, ISO 9897-3, ISO 9897-4, ISO 9897-5 and ISO 9897-6, cancels and replaces ISO 9897:1997. Together with a thoroughly technical revision of the ISO 9897:1997, this international standard have been split into parts to simplify and relate the technical content of each part to each type of container and also, as far as possible, to harmonize the parts of ISO 9897 with the order of container types as contained in the parts of ISO 1496.

ISO 9897 consists of the following parts, under the general title *Freight containers — Container equipment data exchange (CEDEX)*:

- *Part 1: General communication codes for general purpose containers*
- *Part 2: Refrigerated containers*
- *Part 3: Tank*
- *Part 4: Special purpose containers*
- *Part 5: Chassis*
- *Part 6: Message sets for data transfer between trading partners and systems*

Freight containers — Container equipment data exchange (CEDEX) — Part 2: Refrigerated containers

1 Scope

This International Standard specifies general communication codes for container equipment data exchange (CEDEX).

It is intended for business entities for use in communications relating to freight container transactions.

2 Normative references

The following referenced documents are indispensable for the application of this document. For dated references, only the edition cited applies. For undated references, the latest edition of the referenced document (including any amendments) applies.

ISO 3166:1993, *Codes for the representation of names of countries*

ISO 6346:1995, *Freight containers — Coding, identification and marking*

ISO 9897-6:2010, *Freight containers — Container equipment data exchange (CEDEX) — Message sets for data transfer between trading partners and systems*

UN/C-FACT Draft Directory and Standard Directory

3 Principle

In ISO 9897, codes are assigned to pieces of information, called "data elements", which are commonly used in transactions relating to freight containers. These data elements are named and defined, and each element is assigned a CEDEX alphabetical or alphanumeric code. Separate code lists for each type of information (damage, component, repair, location, etc.) are maintained. A code may be reused in several different code lists, but a code is never used for more than one data element within a single code list.

The data element may be phrased about material of construction of a container. For example, CEDEX code "ST" in material type code list (Annex E) stands for "Steel, carbon". A code may define the component of the container that is damaged, its location, or its operating defect, depending on which data element is being defined. A selection is made from the appropriate code list to indicate which component, location, or defect, respectively, is chosen. Other coded data elements indicate essential physical characteristics of the container and information pertinent to the use and management of the container, such as names and addresses of owners.

It can be seen from these examples that the text of a message can be substantially reduced in length by using the CEDEX codes instead of plain language. Use of the CEDEX codes results in messages much reduced in length, transmission time and communication cost, yet conveying information as complete as a much longer plain-language message.

Through proper programming of a computer, a CEDEX-encoded message can be printed out in plain language for the benefit of the communicators, if so desired, or it can be left in its encoded form. The personnel using the code routinely will develop the skill of being able to read messages in coded form; in fact, experience using the code has borne out this assertion. Also, many operators will not require use of all CEDEX codes assigned in ISO 9897, but only a portion of them due to the limited variety of containers and chassis in their domain.

Specific information about manufacturer, type and model of a container or chassis and its equipment is contained in the message, see 4.2.2.

4 Data elements and codes

4.1 Data elements

Data elements and corresponding code sets required to describe equipment components, their condition, repair methods, etc., are included in the appropriate Annex shown in table 1.

4.2 Data assignments

4.2.1 CEDEX codes

All codes assignments of CEDEX shall be taken as obligatory. That is, an operator shall not pick and choose alternative codes unilaterally, nor depart from the established protocol, nor introduce new codes without having registered the codes in accordance with 4.3.

However, two trading partners may agree mutually to use alternative codes if necessary code are not included in this standard. It is strongly recommended that such code be registered in accordance with 4.3 as soon as possible after introduction.

4.2.2 Message sets

Message sets as per ISO 9897-6 are alternative interface messages used for electronic data interchange transmission. An owner or operator can pick and choose amongst other standards and the standard serves as a list of required and optional data elements.

The specific information about manufacturer, type and model of a container or chassis and its equipment is contained in the message sets.

Annex A of ISO 9897-6 is normative; it describes the manner in which a directory of users is developed. The directory is maintained by BIC – Bureau International des Containers listed as BIC-LOCODES at www.bic-code.org.

Table 1 — Data elements and code sets

Data elements	Code set See Annex
Message type	A
Full/empty indicator (container)	B
Structural condition (container)	B
Repair condition (container)	B
Outside coating (container)	B
Inside coating (container)	B
Damage location	C
Damage type	D
Material type	E
Repair type	F
Measure unit specifier	G
Work scale (standard time factor)	G
Responsibility (for repair action)	H
Component for container	I

4.3 Updating data elements

The ISO Council has, in accordance with the provisions of the Directives for the technical work of ISO, designated the Bureau International des Containers (BIC) as the Registration Authority for the data elements:

Registration Authority for ISO 9897
 Bureau International des Containers (BIC)
 41, rue Réaumur
 FR 75003 Paris
 France
 Phone: +33 1 47660390
 Telefax: +33 1 47660891
 E-mail: bic@bic-code.org
www.bic-code.org

Additional data elements will be added to table 1 at the request of international organizations, ISO/TC 104 member bodies, and approval of TC 104/SC 4. The actual process of registration will be performed by the TC 104/SC 4 Secretariat in consultation with the experts of TC 104 /SC 4/WG 3.

Each additional data element will be allocated an alphabetic or alphanumeric code, not at present used within the same code list covering a type of data.

Annex A (normative)

Code - Message types

Numerical code	Name	Description	Message
01050	Damage / repair estimate	Description of damages and repair methods; authorization for repair work to proceed	DESTIM ^{a b}
01060	Damage / repair estimate	Description of damages and repair methods; authorization for repair work to proceed	WESTIM ^c WESTIMDT ^c

^a To be used for electronic data interchange transmissions. See appropriate message descriptions published by UN/C-FACT to determine messages to which the codes in this standard may apply. Further message types and equivalent EDIFACT codes will be added as released by C-FACT TBG3.

^b EDIFACT codes, message standards (including the relevant message type codes) are controlled by UN/C-FACT, a subsidiary organization to UN/ECE/WP.4. ISO has assented to this arrangement via a memorandum of understanding between ISO and UN/ECE.

^c To be used for electronic data interchange transmissions. See appropriate message descriptions in ISO 9897 Part 6. The messages of Part 6 of this standard are developed for trading partner systems that do not support EDI. These messages are also used for import and export of data between systems.

Annex B (normative)

Structural condition, repair condition, outside coating, inside coating, full /empty indicator

B.1 Structural condition, repair condition, outside coating, inside coating

Numerical code	Name	Description	Message
01110	Bad	Inferior quality or state of structural parts, workmanship, surface treatment, etc.	B
01120	Poor	Poor quality or state of structural parts, workmanship, surface treatment, etc.	P
01130	Medium	Average or acceptable quality or state of structural parts, workmanship, surface treatment, etc.	M
01140	Good	Good quality or state of structural parts, workmanship, surface treatment, etc.	G
01150	Excellent	Excellent quality or state of structural parts, workmanship, surface treatment, etc.	X

B.2 Full/empty indicator

Numerical code	Name	Description	Message
01160	Empty	Empty condition of equipment	E
01170	Full	Loaded condition of equipment	F

Annex C (normative)

Damage Location

C.1 All container bodies and refrigeration units

The location coding convention consists of:

- A 1200 mm x 1200 mm (4 ft x 4 ft) numerical square system is used to identify damage to any face of a 20 ft or 40 ft container.
- A 600 mm x 600 mm (2 ft x 2 ft) numerical square system is used to identify damage to any face of a 10 ft container.
- A 900 mm x 900 mm (3 ft x 3 ft) numerical square system is used to identify damage to any face of a 30 ft container.

The container location coding convention locates damages within an area as large as a complete face of the container or as small as a nominal square as above, or even less for the main components located on its edges (rails, corner posts).

The location code shall consist of four characters depending upon the area to be described. It identifies the smallest area containing the entire vertical and horizontal length of the damage.

C.1.1 First character

The first character shall be selected to identify the appropriate face of the container.

door end (rear)	D
container exterior	E
front end	F
left side	L
Container interior	I
right side	R
top/roof	T
under-structure	U
bottom floor	B
<i>Others:</i>	
Refrigeration unit components	M
unspecified location or not applicable	N
container exterior and interior (whole container)	X

C.1.2 Second character

It shall be selected to identify the appropriate part of the container face where the damage is contained, when applied to a closed container. The vertical faces of the container are divided into top and bottom halves and upper and lower main components. The horizontal faces of the container (roof or top and floor or bottom and under-structure) are divided into right and left halves when viewed from the door end.

The relevant codes for containers are:

both halves (i.e. top and bottom, or left and right or centre)	X
bottom half both halves (i.e. top and bottom, or left	B
higher portion (upper)	H
left half	L
lower portion (ground)	G
right half	R
top half	T

For refrigeration units the second character designates the major assembly of the unit in which the damage is found. See Section C.1.2 for examples of how these codes are used.

Compressor	Q
Condenser	K
Electrical	E
Evaporator	V
Frame	F
Miscellaneous	Z
Piping	P
Regulation/Control	C
Unspecified assembly	N
Whole unit	X

C.1.3 Third and fourth characters

They shall be selected to identify the section of the container part in which the damage is contained.

On all containers the front and door ends are divided into vertical sections numbered as follows when viewed from the door end from left to right:

for the left-hand side corner post	1
for the left half	2
for the right half	3
for the right-hand side corner post.	4

On all containers the right and left sides, the roof, the floor and the under-structure, are divided into equal sections:

for 10 ft and 20 ft containers, five sections numbered	1 to 5
for 30 ft and 40 ft containers, ten sections numbered	1 to 0

When the damage covers one section only, the third character indicates the appropriate section number and the fourth character shall be **N** (see figure C.1a)).

When the damage covers several adjacent sections the first and last section numbers are used (see figure C.1b)).

When the damage covers several non-adjacent sections or if damage repair details are not the same, then separate line items shall be used (see figure C.1c)).

When the damage covers the entire length of the container face, the third and fourth characters shall each be **X** (see figure C.1d)).

C.1.4 General location coding

When the damage/action covers several faces of the inside of the container such as steam cleaning, inside refurbishment, reaffixing or sealing of panels, then the code **IXXX** shall be used.

When the damage/action covers several faces of the outside of the container such as outside refurbishment, reaffixing or sealing of panels, removing of cargo stickers, then the code **EXXX** shall be used.

When the damage/action covers several inside and outside faces of the container such as examinations, handling/transport, complete refurbishing, and then the code **XXXX** shall be used.

C.1.5 Examples of location coding for containers

Examples of location coding of components of typical containers are shown below. A diagram showing the components is shown in Figure C.1.

Figure Reference	C.1	Location code	Component code	Description
a		LT5N	PAA	Side panel, LHS, upper half, within the 5th 1200 mm (4 ft) section from rear
b		RT24	PAA	Side panel, RHS, upper half, extending through 2nd to 4th sections from rear
c		RB2N	PAA	Side panel, RHS, lower half, within the second section from the door
d		RB4N	PAA	Side panel, RHS, lower half, within the fourth section from rear
e		TXXX	PAA	Roof panel, both sides, extending through all sections
f		UX1N	CMA	Crossmember, both sides, within first section from door
g		UR12	CMA	Several crossmembers, RHS, extending through first two sections*
h		TX12	RBO	Roof bows, both sides, extending through first two

Figure Reference	C.1	Location code	Component code	Description
				sections*
I		TR1N	RBH	Roof bow holder, RHS, within first section (bow holder number will be defined in separate free-text field)
j		UL8N	CMA	Outrigger, LHS, within the eighth section from door (40 ft) (outrigger number will be defined in separate free-text field)
k		UX3N	FLW	Web (side) of fork-lift pocket, both sides, within third section from door (pocket number will be defined in separate free-text field)
l		UR4N	FLS	Fork-lift pocket strap, RHS, within fourth section from door (pocket number will be defined in separate free-text field)
M		RX1N	SBO	Side post, RHS, both halves, within the first section from door (post number will be defined in separate free-text field)
N		UX15	RLA	Centre spacer rail, extending through sections 1-5 from door
O		UR80	RLA	Tunnel rail, extending through sections 8-10 from door
P		DX2N	LBA	Locking bar, LH door, both halves (locking bar number will be defined in separate free-text field)
NOTE 1 LHS = left-hand side; RHS = right-hand side; * = specific sequential number of component will be defined in separate free-text field.				
NOTE 2 Specific sequential number of component will be defined in separate free-text field as follows: Roof bows, crossmembers, outriggers and forklift pocket sides are to be numbered from rear (door) end to front. Locking bars are to be numbered from left to right.				

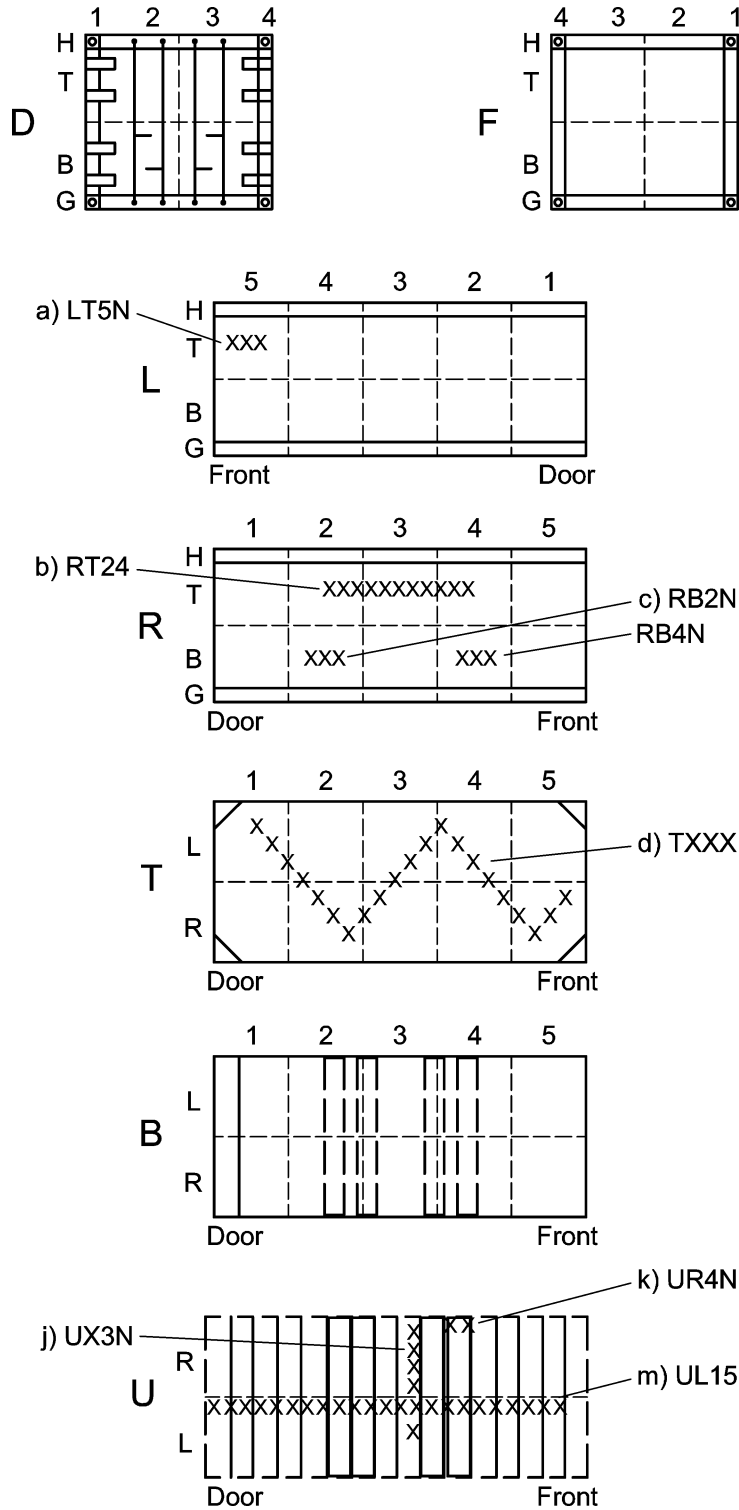


Figure C.1 — Examples of location coding for containers

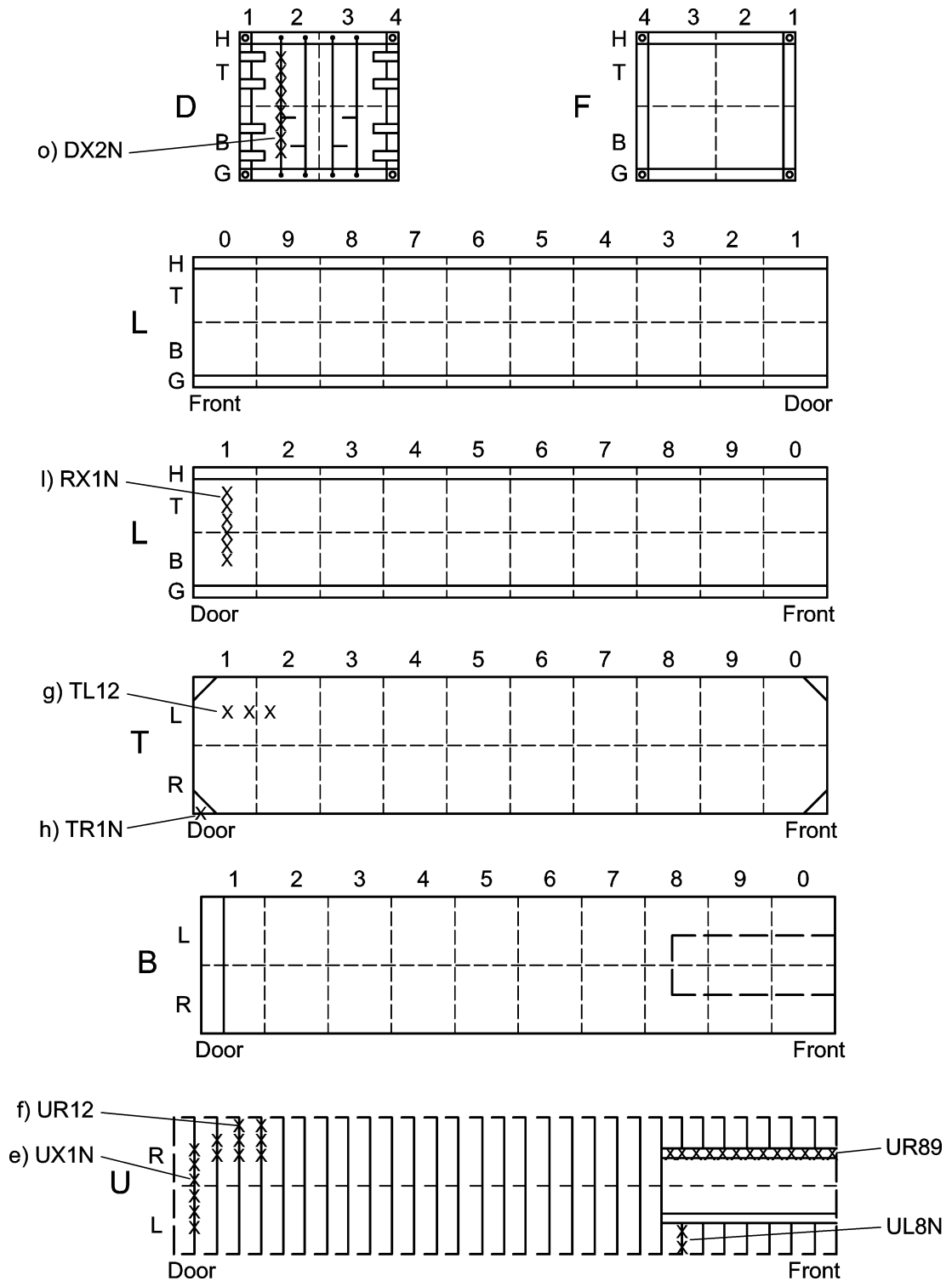


Figure C.1 concluded

C.2 Ancillary equipment

C.2.1

The specific components of ancillary equipment which are in integral part of a container such as refrigeration machinery

- Firstly, by the two alpha characters selected to identify the major functional group to which the component belongs: they are the first and second characters of the location code;
- Secondly, by the code NN: it forms the third and fourth characters of the location code.

Example:

MQNN Reefer machinery – compressor

C.2.2

Components that occur more than once in an ancillary equipment or which are common or similar to other components are given the same component code but are differentiated by functional group code.

Examples:

Location code	Component code	Description
MKNN	MAS	Refrigerated machinery – Condenser fan motor
MVNN	MAS	Refrigeration Machinery – Evaporator fan motor
MPNN	VSS	Refrigeration machinery – suction solenoid valve

Annex D (normative)

Damage types

Numerical code	Name	Description	CEDEX code
04020	Bent	Component is damaged by being bent	BT
04025	Overhead Obstruction	Damage usually to the upper sections of a container caused by impact with a structure such a bridge,	OO
04030	Bowed	Component is damaged by being bowed. Usually damage is gradual over the length of the component	BW
04040	Blocked	Drain, tube, outlet, etc. is blocked	BK
04060	Broken/split	Component is damaged by being broken or split	BR
04069	Burned	Component whose surface is damaged by burns	BN
04070	Burned out	Electrical component is burned out	BO
04090	Compression line	A series of dents in a straight line that decreases the strength of a component when it is placed in compression	CL
04095	Forklift Damage	Impact or pressure damage caused by a forklift	FD
04100	Contaminated	Equipment is rendered unsuitable for cargo because of contamination by chemicals or other cargo products, or by infestation	CT
04110	Corroded/rusty	Component is corroded or rusty	CO
04112	Corroded/Holed	Component is holed by corrosion	CH
04115	Cracked	Crack apparent either in surface or through part or all of component profile	CK
04117	Cracked weld	Welding seam is damaged by being cracked	CW

Numerical code	Name	Description	CEDEX code
04120	Cut	Component is damaged by being cut	CU
04140	Debris/dunnage	Equipment is unusable due to cargo residue or dunnage left inside	DB
04150	Delaminated	Component, usually of wood, is damaged due to separation of laminations	DL
04160	Dent	Component is damaged by being dented	DT
04162	Dented and Holed	Component is dented and holed	DH
04165	Dirty	Unclean condition that may affect utility of container	DY
04167	Improper Cleaning	The component has had an inadequate cleaning procedure performed	IC
04190	Frozen/Seized	Component is inoperable by being frozen or seized due to corrosion	FZ
04200	Gouged	Component is damaged by being gouged	GD
04230	Holed	Component is damaged by being holed	HO
04240	Improper repair	A repair that does not conform to owner's requirements or industry standards	IR
04245	New Improper Repair	A repair performed during the most recent lease that does not conform to owner's requirements or industry standards	IN
04250	Leak	Equipment or component leaks	LK
04260	Loose	Component is loose	LO
04270	Low fluid level	Component or system has less than required amount of fluid	LF
04280	Markings/labels	Labels, marks, logos, and graffiti, etc., not required by owner	ML
04290	Motor failure	Motor will not function	MF
04320	Missing/lost	Component is missing or lost	MS
04335	Remove For Access	Removal of a component to facilitate either a repair or further inspection	RA

Numerical code	Name	Description	CEDEX code
04340	Not within ISO dimensions	Equipment is not usable because it is no longer within the ISO dimensional envelope	NI
04350	Not to TIR requirements	Equipment or component no longer complies with TIR regulations	NT
04355	Not applicable	A condition for which no specific damage type applies	ZZ
04360	Not as required by owner	Equipment or component no longer complies with owner's requirements	NO
04362	Conversion Required	An alteration to the structure, rating, designation, etc. as directed by the owner or operator	RC
04365	Not as required by user	Equipment or component no longer complies with user's requirements	NV
04368	Preventative Maintenance	A component requiring a maintenance procedure to prevent a further failure	PM
04370	Odour	Equipment is rendered unsuitable for cargo because of odour	OR
04375	Food Quality Required	The condition of the container requires work to reach Food Grade Quality	FQ
04390	Oil stains	Component, usually flooring, is damaged by being spotted with oil	OS
04400	Other unacceptable repairs	Any repair deemed unacceptable by the owner or for reasons not specifically covered	OU
04410	Out-of-date	Renewal of a periodic inspection, test or document is overdue	OD
04415	Test Required	A statutory or non-statutory test is required	TR
04417	Out of Calibration	The reading or output of a gauge or device requires re-graduating	OC
04440	Pin holes	Component is damaged with minute holes	PH
04455	Scatched/abraded moving part	Moving part (bearing, piston, etc.) scored, scatched, or abraded by friction	SA
04470	Short/open circuit	Electrical system is inoperable due to a	SH

Numerical code	Name	Description	CEDEX code
		short or open circuit	
04472	Inadequate Electrical Resistance	Electrical resistance below a minimum requirement	IE
04520	Paint failure	Component suffers from a breakdown of the paint system	PF
04530	Refurbishment Program	A programme of refurbishment as directed by the owner or operator	RV
04540	Warped	Component is damaged by being warped	WA
04555	Saturated/Wet	Excess moisture is present within the component.	ST
04560	Wear and tear	The unavoidable deterioration of a component during usage under proper operating conditions	WT
04570	Worn	Component is rendered unusable by being worn.	WN
04580	Wrong material	Previous repair or replacement was carried out using the wrong material	WM
04590	Existing Manufacturing Defect	A manufacturing defect which is documented and known about by the owner	ME
04595	New Manufacturing Defect	A potential or actual defect which may result from the manufacturing process and is not known about by the owner	MN
04610	Consequential Damage	Damage caused by failure to perform an adequate repair	CD
04615	Operator failure	Damage has been caused by the operators failure to use the container correctly	OE

Annex E (normative)

Material types

Numerical code	Name	Description	CEDEX code
05000	Material unspecified	Material is not specified	MU
05100	Steel unspecified	Material is steel of no specific type	SU
05110	Steel, carbon	Material is of carbon steel	ST
05120	Steel, corten	Material is of corten steel	SK
05130	Steel muffler	Material is muffler grade steel (semi-corrosion resistant)	SM
05140	Steel, stainless	Material is stainless steel (corrosion resistant)	SS
05150	Steel, galvanized	Material is galvanized steel	SG
05200	Aluminium unspecified	Material is aluminium of no specific type	AU
05210	Aluminium pre-painted	Material is of pre-painted aluminium	AP
05370	GRP plywood	Plastic coated, glass fibre reinforced plywood	PG
05380	Plymetal	Material is plywood, faced with metal of no specific type on both sides	PM
05400	Plastic	Plastic, unspecified type	PU
05410	Plastic reinforced	Plastic reinforced with fibres	PE
05420	Insulation material unspecified	Insulated material in slab	IS
05430	Insulation material in situ	Insulated material injected	II
05440	Rubber, unspecified	Rubber, unspecified type	RU

Annex F (normative)

Repair types

Numerical code	Name	Description	CEDEX code
06001	No Action Necessary	The damage to the component is within acceptable limits and will not require repair.	NA
06002	Special Repair	The work necessary to repair the component is not described by another single repair code. A series of different repair steps may be involved	SP
06003	Prepare for work	Time allowed to prepare the container and/or components for the repair steps to follow	PW
06005	Technical Bulletin completed	A specific schedule of work according to a set of instructions issued by the owner or manufacturer detailing procedures for a modification, repair, warranty etc.	TB
06010	Abrade and paint	To remove rust/loose paint using abrasive grit/shot blast and paint.	AB
06015	Mechanical Cleaning (scrape off paint)	To clean the surface of a component by mechanical means, (i.e. scrape or grind off paint)	MC
06040	Air clean	To clean a component or equipment with high pressure air	AC
06050	Blank out	To remove a ventilator/valve and "blank out" the panel/shell behind	BU
06070	Chemical clean	To clean a component with chemical wash	CC
06072	Dismantle and Clean	To clean a component having first taken it apart.	DC
06075	Deodorise	Neutralise odour in container	DO
06076	Pickle/Passivate	A series of chemical procedures where the surface of a component is first cleaned by an acidic solution, which is then neutralised by chemicals	PK

Numerical code	Name	Description	CEDEX code
06080	Drain	To drain the system	DR
06090	Drain and fill	To drain the system and fill with appropriate fluid	DF
06100	Inspect and report	Inspect equipment or component for proper function, damage or reason for non-operation, and re-estimate. An additional report will follow on completion	IP
06101	Take photos	Take photos and transmit or upload to requesting party	TP
06103	Temperature Monitoring	Perform a daily temperature monitoring function to a refrigerated container	TM
06105	Test Calibrate	a series of tests or calibration procedures are required on a component.	TC
06107	Running Test	Mechanical run checks on a refrigeration unit	MR
06108	Pre-trip Inspection	Checks before a unit leave a location. These checks can include both visual and mechanical run checks.	PI
06110	Free	To free a frozen, seized or stiff component by means of force, lubricants or heat	FR
06112	Free-Up and Lubricate	To free a frozen, seized or stiff component by means of force, lubricants or heat, and then apply lubricant	LF
06115	Handling	Equipment must be handled in order to make available, but without other repair action	HN
06120	Insert	To remove and replace part of the cross sectional profile of a component over part of its length and/or width. The replacement portion is butt welded to the original component	IT
06125	Install	To fit a component for the first time	IN
06127	Reinforce (example T-floor members)	To provide additional support to a component	RI
06130	Lubricate	To apply lubrication	LC

Numerical code	Name	Description	CEDEX code
06135	Modifications, miscellaneous	To alter a component such that its specification is changed	MD
06138	Not applicable	A condition for which no specific repair type applies	ZZ
06140	Overlapping section partial	To remove and replace part of the cross sectional profile of a component over its entire length and/or width. The replacement portion is overlapped with and fillet welded to the original component. The exterior of the patch is continuously welded to the original component. The interior may be continuously or skip welded with sealer applied to seams between skip welds	OP
06150	Paint	To apply paint	PA
06155	Overlay	Cover a surface with a thin layer of the same or similar material	OX
06170	Patch	Remove and replace a part of the cross sectional profile of a component, over only part of the component's length and/or width. The patch is secured either by riveting or welding the sheet material to the panel	PT
06172	Glue Patch	Remove and replace a part of the cross sectional profile of a component, over only part of the component's length and/or width. The patch is secured by an adhesive.	GP
06173	Repair with tape	To use an adhesive tape to effect a repair. (the repair is general of a temporary nature)	TR
06175	Patch and foam	Patch as indicated in 06170, and also remove and replace underlying insulating foam	PX
06177	Re-foam	Remove and replace damage insulation material	FO
06178	Bracing and Re-Foaming	Install a framework to retain shape during the foaming process and then remove and replace damage insulation material	BF
06180	Preventive maintenance	Maintenance carried out under the owner's instruction	VM

Numerical code	Name	Description	CEDEX code
06195	Cross Measurement	To measure and compare the dimensions of a container to ensure it is both dimensional correct and square	CM
06200	Rebuild	To strip, clean, lubricate, and reassemble a mechanical component	RB
06205	Re-bush	To remove and refit a bush(ing) into a component	RU
06210	Recharge	Supply a full charge of fluid to system	CH
06215	Evacuate, recycle & recharge reefer system	Remove the refrigerant from a system, store and then recycle after repair	ER
06220	Recondition/refurbish	To refurbish the container in accordance with the owner's instructions	RX
06230	Refit	To refit a removable component to its proper position	FT
06240	Re-glass	To repair surface and veneer cracks or damage to GRP panels	RG
06260	Remove and dispose	To remove and dispose of debris, dunnage, or packing material	RD
06270	Repairs prior to refurbishment	Repairs ordered by owner prior to refurbishment	PV
06280	Remove (without replacement)	To remove and not replace a component	RM
06290	Remove and refit	To remove and refit after repair	RR
06295	Remove glue and tape	To clean surfaces of glue and tape, including their residues	GT
06297	Remove markings	To remove unwanted labels, marks, logos, and graffiti	MV
06300	Replace	Remove and replace the complete cross sectional profile of a component over its entire length and width	RP
06305	Fit Part from Owners Stock	Renew using a component from the owners stock	EX
06310	Re-rate	To modify data relating to maximum gross mass or tare on any data plate or weight	RT

Numerical code	Name	Description	CEDEX code
		marking	
06315	Re-secure	To reapply or tighten fasteners on loose components	RE
06320	Rewire	To repair an electrical component or system by rewiring	RW
06325	Sand	To smooth a surface by sanding	SD
06330	Seal/reseal	a) To repair pin holes in a tarpaulin cover or tilt using sealant b) To apply sealant to or around component	SE
06340	Section	To remove and replace the complete cross sectional profile of a component over part of its length and/or width	SN
06345	Section and foam	Section as indicated in 06340, plus remove and replace underlying insulating foam	SF
06350	Splice	To repair by section using rivets with, usually, a doubler piece or backing plate at the joint	SI
06360	Straighten	To repair by straightening	GS
06370	Straighten and re-secure	To repair by straightening and re-securing the component when repaired	RS
06380	Straighten and weld	To repair by straightening a component and re-welding it into position	GW
06390	Steam clean	To clean the component, usually the interior/ floor, using high pressure steam	SC
06400	Surface preparation and paint	To remove rust / loose paint using grinding / scraping and paint	PS
06420	Top up	Refill fluid to correct level	TU
06430	Water wash	To clean the component, usually the floor, using water	WW
06440	Weld	To repair by welding	WD
06450	Grind and weld	To repair by grinding and welding	XW

Numerical code	Name	Description	CEDEX code
06460	Conversion	To amend the character or function of a component / Unit	CN
06470	Dry Out	To remove moisture, i.e. the floor or the interior of the unit	DU
06475	Hook up/unhook to shore power	To connect or disconnect a shore or port power supply	PU
06480	Combined Repair item	A series of repair processes which overlap	CR
06510	Off-hire	No action the container is designated for off-hire	OF

Annex G (normative)

Measure unit specifier, repair size dimension and work scales

G.1 Measure unit specifier

Numerical code	Name	Description	CEDEX code
07010	Inches	Measurement in inches	INH
07012	Square inches	Measurement in square inches	SQI
07014	Cubic inches	Measurement in cubic inches	CUI
07020	Feet	Measurement in feet	FOT
07022	Square feet	Measurement in square feet	SQF
07024	Cubic feet	Measurement in cubic feet	CUF
07030	Millimetres	Measurement in millimetres	MMT
07032	Square millimetres	Measurement in square millimetres	SQT
07034	Cubic millimetres	Measurement in cubic millimetres	CUT
07040	Centimetres	Measurement in centimetres	CMT
07042	Square centimetres	Measurement in square centimetres	SQC
07044	Cubic centimetres	Measurement in cubic centimetres	CUC
07050	Metres	Measurement in metres	MTR
07052	Square metres	Measurement in square metres	SQM
07054	Cubic metres	Measurement in cubic metres	CUM
07060	Pounds	Measurement in pounds	LBS
07070	Kilograms	Measurement in kilograms	KGS
07080	Pints	Measurement in pints	PNT
07090	Litres	Measurement in litres	LTR
07100	Hours	Measurement in hours	HRS

Numerical code	Name	Description	CEDEX code
07110	Minutes	Measurement in minutes	MTS
07120	Quantity	Measurement in quantity	QTY

G.2 Size of repair

Size of repair, where required, is defined as either length, length and height, or length and width.

Example

Length only	15
Length and height	1 500 x 100
Length and width	60 x 30

G.3 Scale

G.3.1 Work scale

The work scale is a factor related to the standard time to reflect ease or difficulty of repair. The factor is a percentage shown as 2-numeric. In normal cases it may range from 05 (i.e. 50 % easier work) to 10 (i.e. standard time) to 15 (i.e. 50 % over the standard time needed).

G.3.2 Material scale

The material scale is a factor related to the standard material amount to reflect differences of material used for combined repairs. The factor is a percentage shown as 2-numeric. In normal cases it may range from 05 (i.e. 50 % easier work) to 10 (i.e. standard time) to 15 (i.e. 50 % over the standard time needed).

Annex H (normative)

Responsibility

Numerical code	Name	Description	CEDEX code
08010	Manufacturer	The repair is necessary to correct a manufacturer's defect outside the warranty or guarantee period	H
08020	Depot	The repair is necessary to correct damage/negligence by depot and is for the account of the depot	D
08030	Terminal	The repair is necessary to correct damage/negligence by terminal and is for the account of the terminal	S
08040	User	The repair is for the user's / lessee's account	U
08050	Owner	The repair is for the owner's account	O
08060	Third party	The repair should be charged to a party responsible for the damages, usually not known at time of damage assessment	T
08070	Warranty	The repair is required under a manufacturer's warranty within the agreed period	W
08080	DPP /Insurance	The repair costs are covered by insurance or an insurance programme	I
08090	Consignor/ consignee	The repair costs are to be recovered from consignor and/or consignee	C
08100	Trucker	The repair costs are to be recovered from the haulier	V

Annex I (normative)

Components of the general purpose container

I.1 Components of refrigerated containers

I.1.1 Corner posts

Numerical code	Name	Description	CEDEX code
10260	Corner post assembly	Vertical structural member at either side of an "end frame" of a container joining a top and a bottom corner fitting (and thereby forming a "corner structure") [from ISO 830]	CPA
10270	Clip-on gen-set clamp socket	Fitting in the corner post into which the lower part of a clip on a generator set is secured	COS
10280	Corner fitting	Fittings located at the corners of containers providing means of supporting, stacking, handling, and securing the container [from ISO 830]	CFG
10300	Corner post inner piece	The inner part of a two- or multi-component corner post	CPI
10310	Corner post J-bar	The portion of the exterior part of the rear corner post that encircles the door hinges	CPJ
10320	Corner post hinge lug	Hinge component permanently attached by welding to the rear corner post	CPL
10330	Corner post outer piece	The outer part of a two- or multi-part corner post	CPO
10340	Corner post reinforcement	The vertical reinforcement of a corner post, normally welded to the corner post outer part	CPR
10350	Corner post single piece	The single component of a one-piece corner post	CPS

I.1.2 Cross-members (including outriggers)

Numerical code	Name	Description	CEDEX code
10370	Cross-member assembly	Components in the base structure of a container supporting the floor	CMA
10377	Crossmember Assembly incl clips and fixings	Crossmember complete with securing brackets and fixings	CMX
10380	Cross-member fixing plate/ T-clip	Components fixed to the cross-member ends for their securing to the bottom side rails by rivets or special bolts	CMF
10390	Cross-member lower flange	The lower flange of a cross-member	CML
10400	Cross-member upper flange	The upper flange of a cross-member	CMU
10410	Cross-member web	The web of a cross-member	CMW
10425	Outrigger	Short cross-member extending between bottom side rail and gooseneck tunnel rail	CMO
10426	Outrigger Flange	The lower flange of an outrigger cross-member	ORL

I.1.3 Door gaskets

Numerical code	Name	Description	CEDEX code
10430	Gasket assembly	The seal running round the edge of a door and other fittings needed to ensure its proper fixing	GTA
10440	Gasket retainer strip	A strip running inside a gasket around a door through which fasteners are passed to secure the gasket to the door edge	GRS
10450	Inner gasket	The inner gasket of a multi-gasket system, usually on thermal containers	GIN
10452	Door Striker	The interface between the two rear doors of a thermal container	DSA
10460	Inner/outer gasket	The whole part of a multi-leaf gasket, combining the effects of both the inner and outer gaskets, usually found on thermal	GIO

Numerical code	Name	Description	CEDEX code
		containers	
10462	Specialist Gasket	Specialised gasket fitted to the rear doors	GTL
10470	Outer gasket	The outer part of the multi-leaf gasket, usually on thermal containers	GTO
10472	Door gasket corner tape	Cover piece for corner joint on door gasket	GCT

I.1.4 Door hinges

Numerical code	Name	Description	CEDEX code
10480	Hinge assembly	Fitting on which the door rotates	HGA
10490	Hinge blade	Hinge component that is secured to the door and holds the pin	HGB
10500	Hinge pin	Hinge component attaching the blade to the lug	HGP
10505	Door hinge bush(ing)	Bush(ing) inserted into door hinge for smooth operation	DHB

I.1.5 Door gear

Numerical code	Name	Description	CEDEX code
10509	Door gear, complete	Set of door locking rods, cams, and cam retainers (keepers), including mounting hardware, for a single door	DGR
10510	Locking bar assembly	The complete mechanism that keeps the door secured closed	LBA
10520	Locking bar bracket	A device attaching the locking bar to the top and bottom of a door, usually containing a bushing	LBB
10530	Locking bar cam	The part of the door securing device that engages the retainer, which, by a lever action, forms the cam lock	LBC

Numerical code	Name	Description	CEDEX code
10540	Locking bar guide	A component, intermediate to the locking bar brackets, which holds the locking bar to the door in proper alignment	LBG
10550	Locking bar handle	A component attached to the locking bar rod by mean of the lug, which, by turning, operates the assembly	LBH
10560	Locking bar lug	A component, part of the locking bar rod to which the locking bar handle is secured	LBL
10565	Locking bar handle hub	The fastener with which the locking bar handle is secured to the locking-bar lug	LHH
10570	Locking bar rod (tube)	The vertical shaft or rod to which the cam locks are fitted	LBR
10575	Locking bar nut	Nut used to secure locking bar hardware	LBN
10587	Door retainer lug	Mounting bracket, attached to door panel, that holds the door retainer	DRL
10590	Door handle lock assembly	The device which can be sealed for compliance with the CCC and which locks the door in the closed position	DHL
10600	Door handle catch	A component of the door handle lock assembly, fixed to the door and which the door handle is engaged when the doors are closed	DHC
10610	Door handle retainer	A component of the door handle lock assembly, which rotates and holds the door handle in the closed position, and through which the seal is secured	DHR
10620	Door custom seal point	The holes in the door handle catch and door handle retainer through which the customs seal is secured	DCS
10630	Door retainer	A device which retains the door in the open position	DRT
10632	Door chain hook	Link device for holding door in open position	DRH
10635	Door stop/slam (security) plate	Door edge plate preventing opening the left-hand door unless the right hand door is open	DPL

Numerical code	Name	Description	CEDEX code
10636	Door plate rivets	Rivets used to attach door plate	DPR
10640	Anti-rack device	A device which reinforces the securement of the locking bar assembly and limits the racking of the door frame	ARD

- for Doors/Panels see I.4.5, Panels

- for End transverse members see I.1.8, Rails

- floor panel (insulated) see I.4.4, Flooring

I.1.6 Fork lift pockets

Numerical code	Name	Description	CEDEX code
10850	Fork lift pocket assembly	Reinforced pockets running transversally across the base of a container, piercing the bottom side rails at prescribed positions to permit the entry of the tines of fork lift devices for lifting and carrying the container	FLA
10870	Fork lift pocket strap	The plate welded to the bottom of each fork lift pocket entrance	FLS
10880	Fork lift pocket top plate	The plated welded to the top of the fork lift pocket	FLP
10900	Fork lift pocket web	The web or side of the fork pocket	FLW

I.1.7 Rails (including end transverse members and tunnel rails)

Numerical code	Name	Description	CEDEX code
11510	Rails assembly	The longitudinal and transverse structural members at the bottom, top, and sides of the container and sides of the tunnel	RLA
11520	Cam keeper	A device at the rear top and bottom end transverse member which retains the locking bar cam when the locking bar	RCK

Numerical code	Name	Description	CEDEX code
		mechanism is locked closed	
11530	Rail doubling plate	An additional plate attached to the container roof, adjacent to the top corner fittings, providing protection from misuse of spreader equipment	RDP
11538	Roof Corner Gusset – Steel	A web fitted between the end rail and corner post or top corner casting	RCG
1540	Rail gusset	Reinforcement plate either between the corner fitting and side or end rail, or inside the front and rear lower rails	RLG
11545	Locking Pins (End Frame to Side Rail)	Pin or fixing securing end frame to side rail. A gusset or wing plate may be used as the connecting piece	LPP
11546	Wing plate	Side rail connection piece to corner post	RWP
11550	Rail inner web	A closing plate on the inside of the front and rear lower rails. Used as an alternative to the rail gusset, 11540	RIW
11553	Bumper	Device used on the rear end frame to reduce damage when interfacing with a loading bay	DRB
11555	Rail cone protector recess	Recess or cut-out in a front or door sill web and lower flange, adjacent to corner fitting, used to prevent damage to the rail when securing container to twist lock or stacking cone	RCI
11582	Door/Front Sill Stiffener	A web for strengthening the rear or front lower rail	DFS
11585	Gooseneck tunnel rail	Side longitudinal rail of gooseneck tunnel	RTL
11590	Rain gutter	Part of, or attachment to, rear upper end rail to divert water away from door frame	RNG
11610	Rail doubler plate	Doubler plate on top and bottom rails	RUP
11630	Floor support angle	Angle attached to bottom side rail which supports edge of floor	FSA
11650	Header extension plate	Extended header plate used to protect roof from damage	HEP

Numerical code	Name	Description	CEDEX code
11670	Piggy backer rail reinforcement	Reinforcement on side bottom rail for piggybacker lifting	RPP

I.1.8 Tunnel

Numerical code	Name	Description	CEDEX code
11760	Tunnel assembly	Recess in the front portion of a container understructure to accommodate the raised portion of a gooseneck chassis	TUA
11770	Tunnel cross-member	Transverse members providing support to the tunnel plate	TUC
11780	Tunnel plate	A steel plate separating the tunnel recess from the interior of the container	TUP
11790	Tunnel bolster	A transverse member which supports the rearmost portion of the tunnel	TUB

- for Tunnel rail see I.1.8, Rails – Gooseneck Tunnel

- for Tunnel outriggers see I.1.3 - Cross-members

I.1.9 Miscellaneous

Numerical code	Name	Description	CEDEX code
11850	Joint between components	Junction where components are welded or fastened together	VJT
11855	Sealer (for joining components)	Caulking component to seal joining components like floor, ventilator, etc.	SEA
11890	Not applicable	Dummy code used when a component code is not applicable or to components for which a code is yet not assigned	ZZZ

I.1.10 Hardware

Numerical code	Name	Description	CEDEX code
11900	Hardware	Screws, nuts, and bolts	HWR
11905	Hardware - Delamination Bolt	Threaded component with a matching nut which repairs delamination between the outer and/or inner panels and insulation material	HWD
11913	Internal rivet	Rivet or fixings used to fasten together panel assemblies or components	PRV
11914	External Rivet	Rivet or fixings used to fasten together panel assemblies or components	PRX
11915	Hardware - Huckbolts	Structural fastener for securing components and performing repairs	HWH

I.1.11 Major Assemblies

Numerical code	Name	Description	CEDEX code
12000	Cargo container	Entire container	MCO
12005	Reefer Container - Frame	The exterior frame of a thermal container	RCF
12010	Sidewall-complete	Complete sandwich assembly of all sidewall panels, including eventual posts and stringers.	SAA
12020	Endwall-complete	Complete assembly of all endwall (not door) panels, including posts and stringers, at one end of container	EAA
12030	Roof-complete	Entire roof assembly, including bows if applicable	RAA
12040	Understructure-complete	Entire understructure of cross-members, fork lift pockets, and gooseneck tunnel components (as applicable)	UAA
12050	Door, complete (without hardware)	Entire door, including stiffeners, but not including hardware and gaskets	DAA

Numerical code	Name	Description	CEDEX code
12060	Door, complete (with hardware)	Entire door, including stiffeners, hardware (except hinges), and gaskets	DAH
12070	Door frame assembly	Complete door frame with all component pieces	DFA

I.2 Components applicable to marking

I.2.1 ISO marking

Numerical code	Name	Description	CEDEX code
40010	Country code	Code designating the country of registration of the owner, in accordance with ISO 3166	MCC
40020	Identification marking set	Owner's code, 40040; serial number and check digit, 40050; size and type code, 40060; in accordance with ISO 6346	MIS
40030	Mass marking	Maximum gross and tare weights, in accordance with ISO 6346; payload	MMI
40040	Owner's code	Owner's mark, in accordance with ISO 6346	MOC
40050	Serial number and check digit	Number of the equipment plus check digit, in accordance with ISO 6346	MSN
40060	Size/type marking	Code designating the size and type of the equipment, in accordance with ISO 6346	MST
40070	Height marking	Optional height marks for containers of height greater than 2,6 m (8,5 ft), in accordance with ISO 6346:1984, Annex H	MHT
40072	High cube strips	Alternating oblique striped marking fitted to upper rails used to distinguish 1AAA, 1BBB and 1CCC (high-cube) containers	MHC
40080	Caution marking	Warning sign of oversize and or electrical danger, in accordance with ISO 6346:1984, Annex C	MCA
40082	Height caution marking	Caution marking indicating 9ft6in height	MCH
40084	Width caution marking	Caution marking indicating over width	MCW

Numerical code	Name	Description	CEDEX code
40090	Consolidated data plate	A single consolidated data plate prepared according to a means of combining various labels and plates	MPD
40100	Markings-full set	Entire set of markings on a container	MFS
40110	Markings-single digit/character	A single digit/character of a serial number marking	MSD
40115	UIC decal	Marking fitted to the side of a container indicating registration of the container with a member carrier of the Union Internationale des Chemins de Fer (UIC)	MUI

I.2.2 Other markings

Numerical code	Name	Description	CEDEX code
40200	CSC plates	A plate on which data required by the safety convention is displayed	MPS
40210	ACEP marking	A marking required of a container that is operated under an approved continuous examination programme prescribed in the CSC	MCE
40220	Class survey marking	Marking of classification societies and other organizations approved by the competent authority	MCS
40230	Customs plate	Plate on which customs approval data is displayed	MPC
40240	Owner's plate	A plate on which the owner's name, and sometimes address, is displayed	MPO
40250	Manufacturer's plate	A plate on which the manufacturer's name and/or logotype, and sometimes other data is displayed	MPM
40260	Cargo label plate	An area, usually marked in black, for cargo labels	MPL
40280	Timber chemical treatment	A plate on which data relating to quarantine treatment of exposed wooden component is displayed	MTT

Numerical code	Name	Description	CEDEX code
40290	Other markings	Any unspecified marking	MRU
40300	Owner's logo	Owner's logotype	MOL
40302	Address Decal	Owners address decal fitted to container	MAD
40310	Customers Markings	Users logo or decal	MCU
40320	Load Line Decal	Markings on the interior of a thermal container indicating the maximum stacking height of cargo	LLD

I.3 Miscellaneous

Numerical code	Name	Description	CEDEX code
50710	Container identification device	Electronic container identification device permanently affixed to the container	CID
50720	Container identification device battery	Battery for an electronic container identification device requiring power supply (active device)	IDB

I.4 Components specific to thermal containers (insulated carcass)

I.4.1 Air opening

Numerical code	Name	Description	CEDEX code
50120	Port (modified atmosphere)	Port to permit injection of special gases into thermal containers to modify the atmosphere	POM
50130	Plug (modified atmosphere)	Plug to close port to permit injection of special gases into thermal containers to modify atmosphere	PLM
50132	Modified Atmosphere Valve Outer Ring	The plug sealing ring fitted to the modified atmosphere port	TRR
50133	Recess, Modified Atmosphere Curtain	The channel on the container interior sides, ceiling and floor to which the modified	RRM

	Equipment	atmosphere curtain track is fitted	
50134	Curved curtain rail	Track to which the modified atmosphere curtain is fitted	RLC
50135	Modified atmosphere door curtain assembly	Complete assembly of door curtain, seal, and retaining track	RCM
50136	Modified atmosphere door curtain	Flexible air seal to retard gas transfer through door	DCU
50137	Modified-atmosphere snap ribbon seal	Seal holding door curtain in place in modified-atmosphere system	SRS

I.4.2 Air screen

Numerical code	Name	Description	CEDEX code
50150	Air screen assembly	Air screen intermediate panel assembly separating the air inlet from the air outlet	ASA
50160	Air screen flap	Hinged air screen flap on which the valve assembly is mounted permitting access to the valve and behind inlet or outlet screen	ASF
50165	Air screen gasket	Gasket for air screen flap	ASG
50170	Air screen hinge	Air screen flap hinge	ASH
50180	Air screen lock	Air screen flap locking device	ASL
50190	Air screen panel	Inlet or outlet air screen panel to ensure proper air distribution in the container	ASP

I.4.3 Air duct

Numerical code	Name	Description	CEDEX code
50250	Air duct	Component which allows proper air circulation throughout the thermal container	ADU

I.4.4 Flooring

Numerical code	Name	Description	CEDEX code
50300	T-floor assembly	A flooring of T-section which permits air-flow, used in thermal containers	TFA
50310	T-floor casting	A casting which forms the rear end of the T-floor	TFC
50320	T-floor drain	Drain hole used in thermal and other containers	TFD
50322	T-floor drain pan	Pan or sump used to catch fluids drained from the interior of a thermal container	TPN
50330	T-floor end seal	Seal that closes off the joint between the T-floor and the rear bottom end transverse member (rear sill)	TFS
50340	T-floor plate	Front angled plate or curved moulding that seals the front of the T-floor from the refrigerating machinery air outlet	TFF
50345	T-Floor Baffle Plate Hinge	Device which allows the rotation of the T-floor plate	TFH
50350	T-floor gutter	Curved moulding that seals the side wall panel from the bottom edge of the T-floor	TFG
50360	T-floor plank	Section of T-floor	TFP
50370	T-floor strip	Transverse reinforcement on top of the T-floor at either its front or rear end	TFI
50380	T-floor angle bar	Angle that forces air from the refrigerating machinery down through the T-floor	TFB
50385	Drain plug assembly	Plug and chain assembly for floor drain	DRA
50386	Drain plug	Plug for floor drain	DRP
50389	Subfloor	Panel assembly covering underside of floor insulation	PAA
50395	Self-opening drain (Kazoo)	Flexible bladder, fitted to the underside of a T-floor drain, that opens and reseals by hydrostatic pressure to expel fluids that drain from the interior of a thermal container	DKK

Numerical code	Name	Description	CEDEX code
50396	Automatic drain	T-floor drain that opens and reseals to drain fluids from the interior of a thermal container.	DKA
50398	Semi-automatic drain	Semi-automatic drain fitted to the underside of a T-floor drain that opens and reseals by hydrostatic pressure to expel fluids/drain fluids from the interior of a thermal container.	DKS

I.4.5 Panels

Numerical code	Name	Description	CEDEX code
50450	Panel edge profile	A profile that closes off the edge of an insulated door	PEP
50460	Panel-frame	A profile that frames an insulated door	PAF
50450	Panel edge profile	A profile that closes off the edge of an insulated panel, usually a door panel	PEP
50460	Panel-frame	A profile that frames the door, usually an insulated type	PAF
50465	Bulk head plate/panel centre	A demountable panel which acts as an end wall in a thermal container, it is fitted to the rear of the refrigeration machinery	ETM
50470	Battens in insulated panel	Raised or recessed type of battens in the interior lining of thermal container side and door panels	PBT
50480	Panel inner cladding	Inner lining panel of an insulated sandwich panel	PIC
50486	Coving - Rivet fixings	Fixings for securing coving in place	CRV
50490	Insulation material	Material, usually foam, used for insulation	PIM
50495	Delamination repair kit	Component(s) which repairs delamination between a panel and insulation material	PDK
50500	Panel - internal stiffener	Usually in thermal container side walls	PIS
50505	Interior Coving	A curved or angled piece fitted over the joint between the interior side panels and	TCI

Numerical code	Name	Description	CEDEX code
		ceiling or floor	
50510	Panel - joint capping	Curved moulding or angle that closes off between insulated side wall and roof panels	PJC
50520	Panel - joint profile	A profile that secures the panel joint capping to the side wall and/or roof panel	PJP
50530	Panel - outer cladding	The panel on the outside of an insulated sandwich panel	POC
50531	Rail Rivet	Fixing for side rail to side panel	RLR
50545	Scuff plate/lining	A liner fitted to the interior sidewall to reduce damage during the loading process	PSL
50547	External scuff plate	A plate fitted to the exterior sidewall to reduce damage during the handling process	PSX

I.4.6 Clip-on generator mounting

Numerical code	Name	Description	CEDEX code
50630	Clip-on generator set mounting hole, upper	Receptacle in front header for clip-on generator set clamping device	CHU
50640	Clip-on generator set mounting hole, threaded, lower	Threaded receptacle in front corner post for clip-on generator set clamping device	CHL

Annex J (normative)

Illustrations of Thermal Container Component Codes

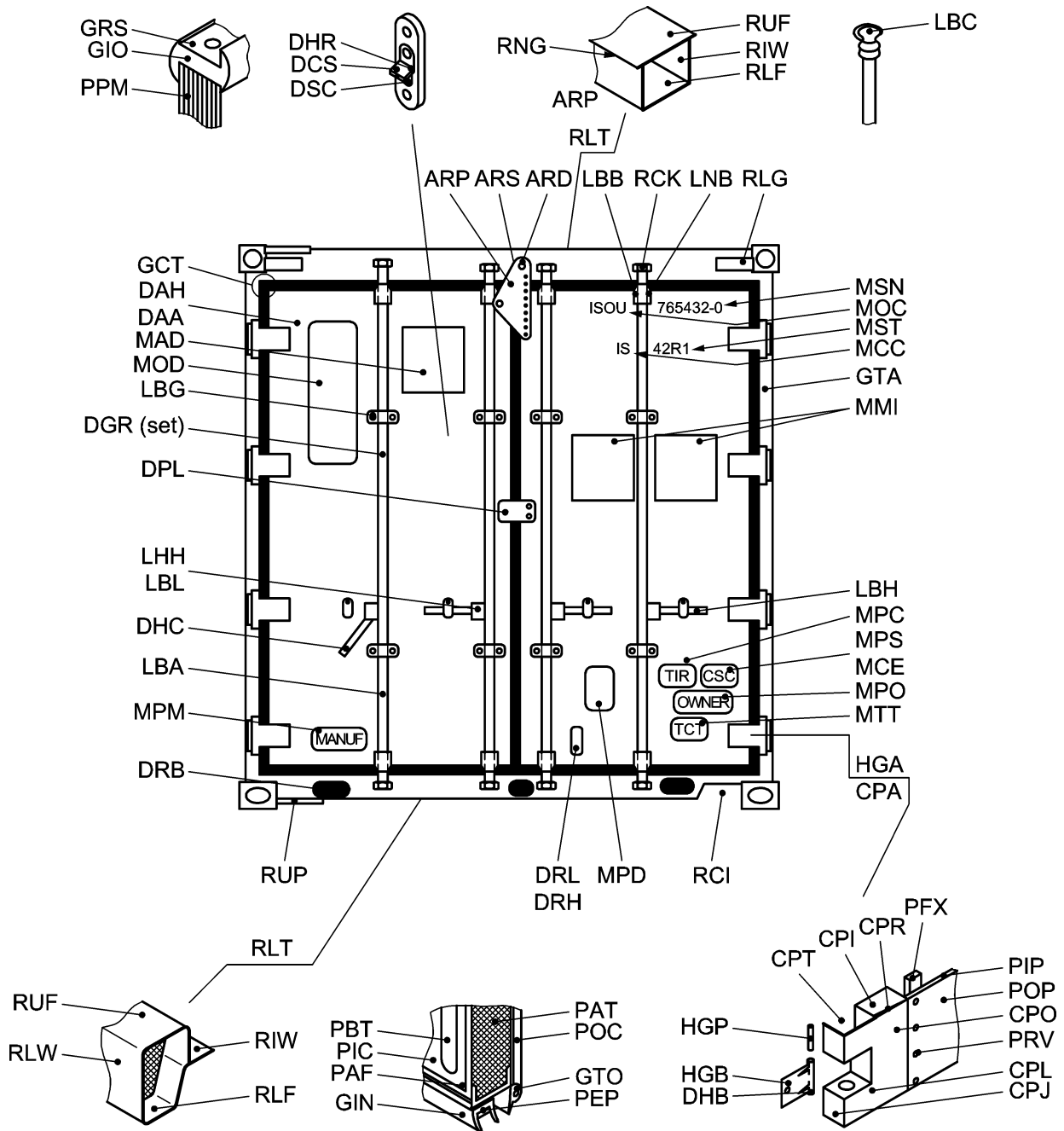


Figure J.1 — Rear / Door end-structure of thermal container

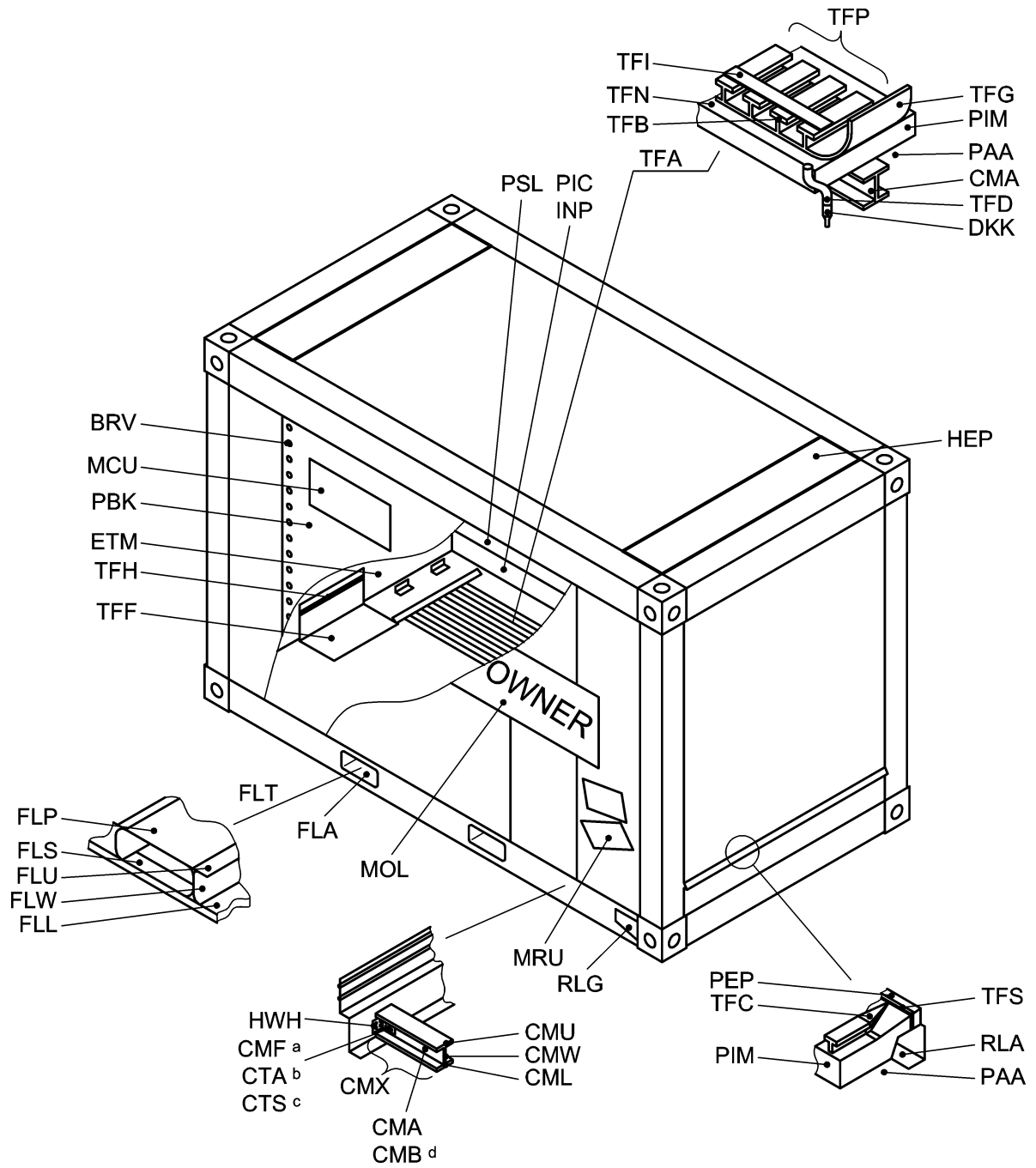


Figure J.2 — Floor, under-floor and Side -structure details of thermal container

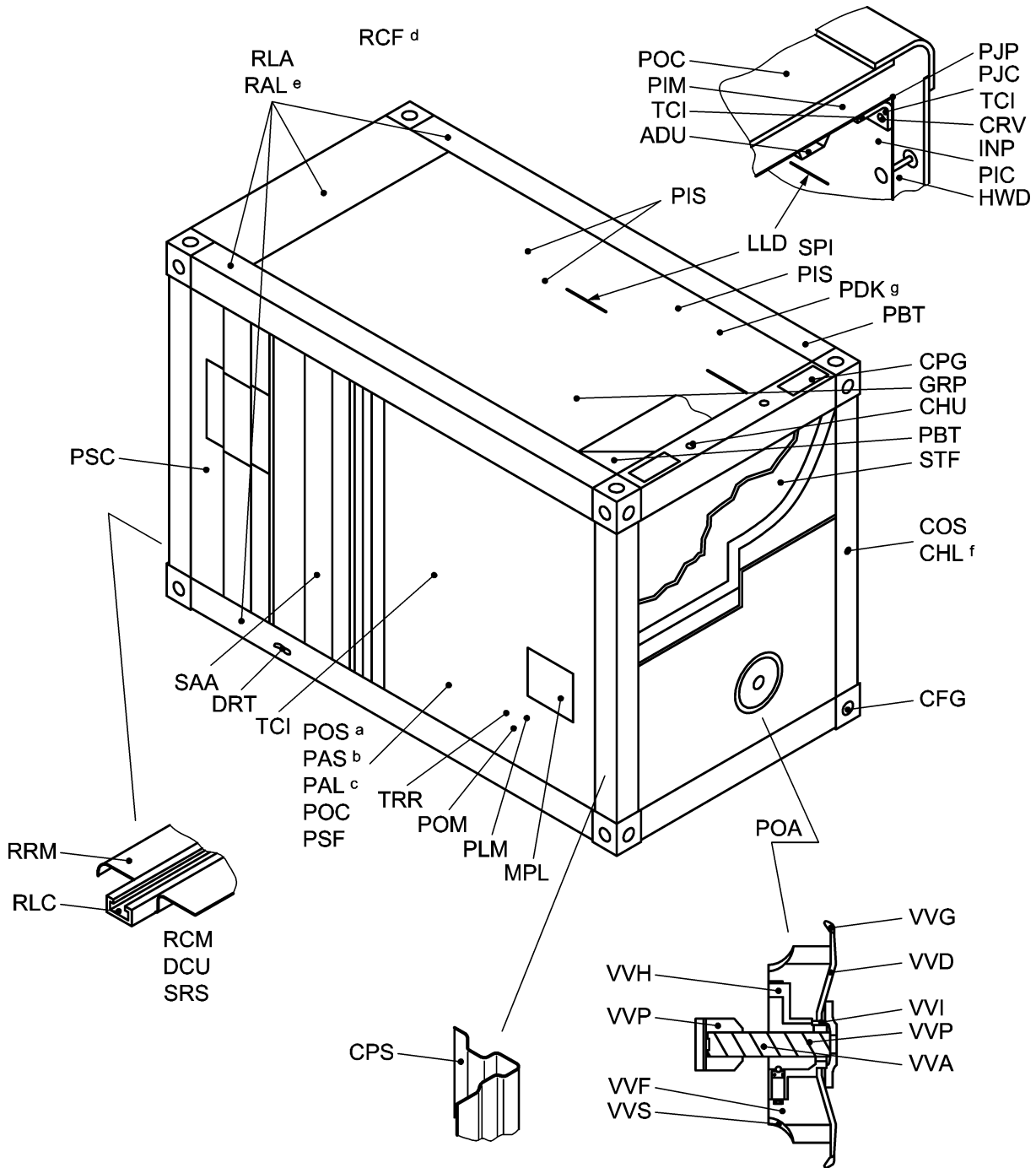


Figure J.3 — Roof, side and port-hole-structure detail of thermal container

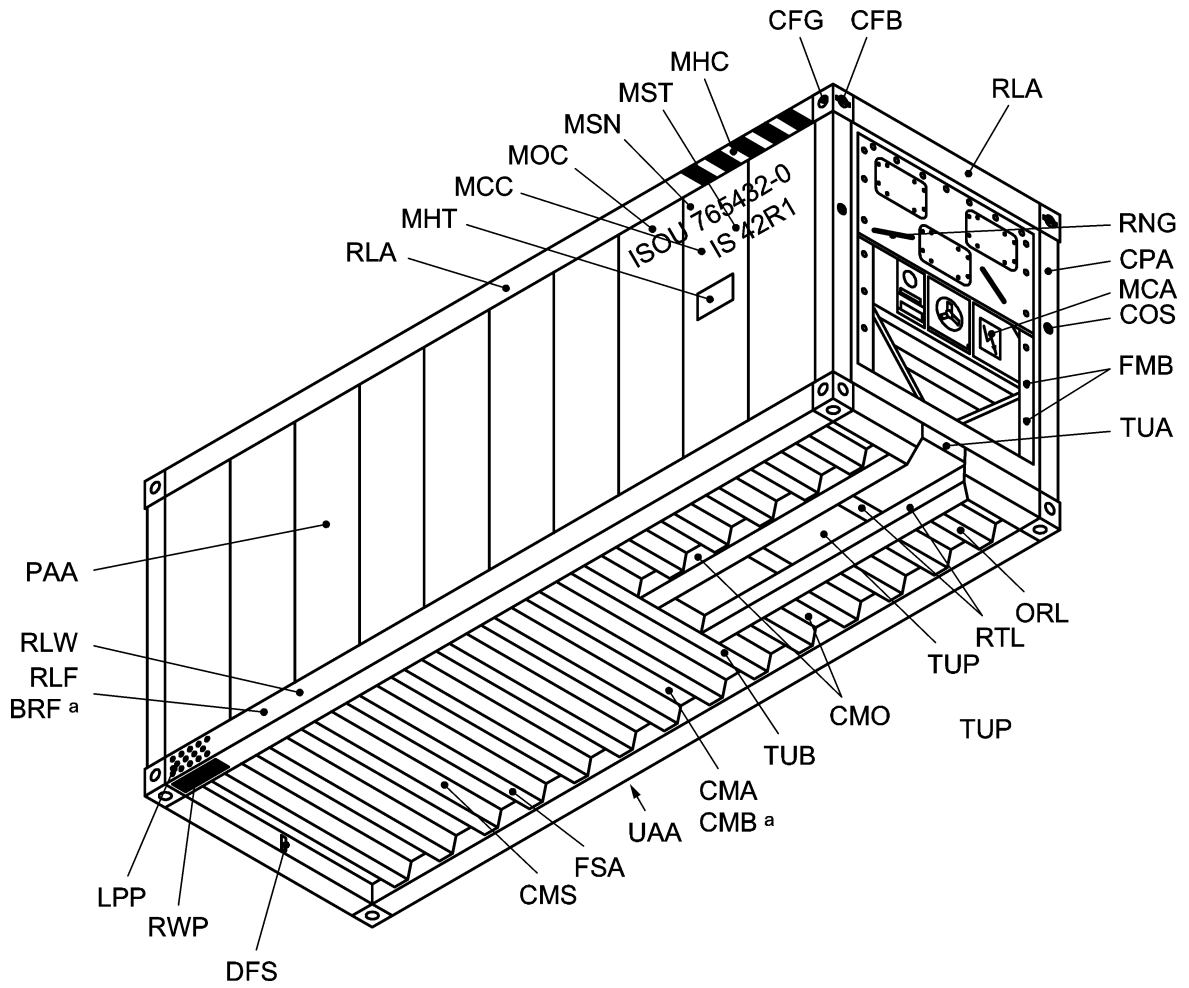


Figure J.4 — Under-structure detail of thermal container

Annex K (normative)

Components of Refrigeration Machinery

K.1 Components of Refrigeration Machinery

K.1.1 Compressor – Location: MQNN

Numerical code	Name	Description	CEDEX code
60010	Compressor, complete (with motor)	Compressor assembly and its driving electric motor	ASY
60015	Compressor Motor - Alternative Type	Non-reciprocating compressor and motor	MAX
60020	Open compressor (without motor)	Compressor assembly without its driving electric motor	QAS
60030	Shaft	Cylindrical bar to transmit motion by rotation	SFT
60033	Shaft seal	Seal between compressor shaft and housing	QSS
60034	Crankshaft	Rotation member that transmits force to pistons	CSF
60035	Bearing, crankshaft	Support which holds crankshaft in place	BSF
60036	Gasket, crankshaft assembly	Seal to prevent leakage between crankshaft and housing	SSF
60040	Cylinder head	Cover of the piston chamber above the valve plate	CYH
60050	Cylinder unloader	Device to cut off the cylinder or to allow communication between high pressure and low pressure to decrease the compressor capacity	CYU
60060	Unloader solenoid	Solenoid coil which operates opening/closing of one cylinder unloader	CYS
60065	Solenoid coil, any	A device which electrically operates a valve	VCX
60070	Cylinder head cover gasket	Gasket to seal the cylinder head cover on the compressor body	CYG

Numerical code	Name	Description	CEDEX code
60080	Cylinder	Chamber in which moves one piston	CYA
60090	Piston	Sliding piece to compress refrigeration gas in the cylinder	PTA
60100	Piston rod	Bar between the shaft and the piston	PTR
60110	Piston ring	Metallic circular spring with a high relative outward expanding strain used around the piston to make a gastight joint	PTB
60120	Compressor pulley	Wheel to transmit motion to the compressor shaft	PUQ
60130	Motor pulley	Pulley to transmit motion from the motor shaft	PUM
60135	Drive belt	Tensioning device to impart torque to a pulley	DRB
60140	Suction service valve	Valve to allow operations such as opening/closure or pressure measurement of the input refrigeration gas (low pressure)	VSU
60141	Charge Port Low Side / Suction Line Service Valve Cap	Cover for charge port low pressure /suction line service valve	VSL
60142	Charge Port Low Side Cap	Cover for charge port low pressure service valve	VCL
60143	Suction Service Valve Cap	Cover for suction line service valve	VSC
60144	Suction Service Valve Gauge Connection	Threaded part of the suction service valve allowing the attachment of gauges	VSG
60150	Discharge service valve	Valve to allow operations such as opening/closure of pressure measurement of the output refrigeration gas (high pressure)	VDI
60151	Check valve, discharge	Valve fitted to the compressor discharge to restrict the flow of refrigerant back to the compressor	VCK
60152	Service valve gasket	A seal designed to prevent refrigerant leakage from the system at the connection of the service valve	VMG
60155	Discharge service valve	Cover for discharge service valve	VDC

Numerical code	Name	Description	CEDEX code
	cap		
60156	Discharge Service Valve Gauge Connection	Threaded part of the discharge service valve allowing the attachment of gauges	VDG
60160	High-pressure cut-out	Safety device to switch off the system in case of pressure above a fixed limit	CHP
60170	Low-pressure cut-out	Safety device to switch off the system in case of pressure below a fixed limit	CLP
60175	Snubber	Device to smooth out refrigerant flow in compressor discharge line	SNB
60180	Oil cut-out	Safety device to switch off the system in case of oil pressure below a fixed limit	CLO
60190	Oil pump	Pump for distributing oil under pressure through the compressor to lubricate moving parts	PPO
60200	Oil sight glass	Sight glass for checking the oil level	SGO
60210	Oil sump gasket	Gasket seal between the oil sump and the compressor body	SGS
60220	Oil charge	Quantity of oil	OCH
60224	Compressor Oil - Mineral	Compressor Oil - Mineral Oil	OCM
60225	Compressor Oil - POE	Compressor Oil - Poly Oil Ester	OCP
60230	Others	Other compressor devices not listed	QMI
60240	Reed (or ring valves)	Intake and exhaust valves for refrigerant flow through compressor cylinders	RRV
60245	Valve plate	Plate on cylinder with valves	PVA
60250	Motor	Motor assembly excluding the compressor items	MAS
60260	Stator	Stationary winding part of the motor	STA
60270	Rotor	Winding part of the motor that revolves in the stator	ROT
60280	Collector	Conductor maintaining contact between the rotor and the stator	COL

Numerical code	Name	Description	CEDEX code
60290	Collector brush	Carbon electrical conductor that makes sliding contact on the collector	COB
60300	Bearing	Part of the motor to support the revolving rotor in the centre of the stator (not specified elsewhere)	BNG
60310	Terminal mounting plate	Board for making electrical connections on the compressor motor	TMP
60311	Compressor Terminal Box	Box mounted on compressor containing the electrical connections	TMB
60312	Comp Terminal Box - Cover	Cover for the compressor terminal box	TMC
60313	Compressor Terminal Box - Front	Front section of the compressor terminal box	JBF
60314	Compressor Terminal Box - Back	Back or rear section of the compressor terminal box	JBR
60315	Comp Terminal Box - Gland	Sleeve attached to the compressor terminal box around the electrical cable to prevent ingress of water	TMG
60316	Terminal Mounting Kit Compressor - 5 terminal kit	Repair components for the compressor terminal mount. It allows 5 electrical connections	TMF
60317	Electric Cable Hose / Tube - Compressor	Protective sleeve for the compressor electric supply cable	ECN
60320	Overload protection switch	Safety device to switch off the system in case of overloading of the motor	POL
60326	Terminal Mounting Kit Compressor - 6 terminal kit	Repair components for the compressor terminal mount. It allows 6 electrical connections	TMS
60330	Others (motor)	Other compressor motor devices not listed	MIN
60340	Fixing/securing device	Fixing elements of the compressor/motor assembly to the frame	FIX
60350	Compression vibration damper	Device between compressor motor and frame to absorb vibrations	QDA
60360	Compressor suction sensor	Device which detects the refrigerant temperature at the compressor suction	SSU

Numerical code	Name	Description	CEDEX code
60365	Compressor discharge sensor	Apparatus which detects the temperature of the compressor discharge line	SDI

K.1.2 Condenser – Location: MKNN

Numerical code	Name	Description	CEDEX code
60510	Coil assembly	Series of pipes and fins connected in rows to increase heat exchange in the condenser section	CAS
60511	Coil Assembly - Condenser	Series of pipes connected in rows to increase heat exchange	CSK
60512	Guard, condenser coil	A protective panel fitted around the condenser coil	CGD
60513	Coil Assembly - Bolt Condenser	Fixing component used to secure the condenser assembly in position	FIK
60515	Tube sheet distributor	Plate which holds individual tubes in position within coil	TSH
60516	Condenser coil mounting bracket	Bracket holding condenser coil in place	CCB
60517	Drain Tube - Condenser	Pipe allowing the water condensate from the condenser to be removed	DRK
60520	Inlet distributor	Series of pipes through which the refrigeration gas gets into the condenser	TIN
60530	Outlet collector	Series of pipes through which the refrigeration gas gets out of the condenser	TOU
60540	Bent tube (return tube)	Bent tubes to connect one row of pipes to another one	TBE
60550	Straight tube	Tube to allow refrigeration gas circulation through the fins of the condenser	TPI
60555	Coil fins	Fins expediting heat transfer from tubes	CFI
60556	Coil Fins - Condenser	Fins expediting heat transfer from condenser tubes	CFK
60560	Motor	Motor assembly excluding the compressor items	MAS

Numerical code	Name	Description	CEDEX code
60561	Motor -Condenser Fan Motor	Motor assembly to revolve the condenser fan	MKS
60562	Cond Fan Motor Mount	Plate or bracket onto which the condenser fan motor is fitted which in turn is secured to the frame	CMM
60563	Motor -Bolts Cond Motor	Fixing component used to secure the condenser motor in position	MKF
60564	Bearing -Cond Fan Motor	Part of the condenser motor to support the revolving rotor in the centre of the stator	BNK
60565	Condenser Fan Motor Terminal Box Cover	Cover for the condenser fan motor terminal box	CTC
60566	Electrical Connection Cover on Motor	Plate overlaying the end of the electrical connections on condenser motor	KMC
60567	Motor -Elec Connections Condenser Motor	Electrical terminal points on the condenser motor	MKE
60568	Electric Cable Gland - Condenser Motor	Sleeve attached to the condenser motor terminal box around the electrical cable to prevent ingress of water	ECK
60570	Stator	Stationary winding part of the motor	STA
60580	Rotor	Winding part of the motor that revolves in the stator	ROT
60590	Collector	Conductor maintaining contact between the rotor and the stator	COL
60600	Collector brush	Carbon electrical conductor that makes sliding contact on the collector	COB
60610	Bearings	Part of the motor to support the revolving rotor in the centre of the stator	BNG
60620	Terminal mounting plate	Board for making electrical connections on the condenser motor	TMP
60630	Overload protection switch	Safety device to switch off the system in case of overloading of the motor	POL
60640	Fixing/securing device	Fixing elements of the condenser/motor assembly to the frame	FIX
60650	Fan	Assembly of blades to produce a volume of	FAN

Numerical code	Name	Description	CEDEX code
		air through the condenser coil	
60651	Fan - Condenser Motor	Assembly of blades to produce a volume of air through the condenser coil	FKN
60652	Condenser Fan Wheel - RH	Right hand side assembly of blades to produce a volume of air through the condenser coil	FKR
60653	Cond Fan Wheel -LH	Left hand side assembly of blades to produce a volume of air through the condenser coil	FKL
60660	Condenser Fan Housing	Casing around the condenser fan	CMH
60680	Refrigerant inlet valve	Device for closing/opening the refrigerant inlet flow	VFI
60690	Refrigerant outlet valve	Device for closing/opening the refrigerant outer flow	VFO
60693	Electrical Connection Cover on Motor	Plate overlaying the end of the electrical connections on evaporator motor	KMC
60700	Water-cooled condenser	Heat exchanger in which refrigerant is changed from gas to liquid by water cooling	CWA
60710	Water inlet valve	Device for closing/opening the water inlet flow in the water-cooled condenser	VWI
60715	Coupling Water Cooled Condenser receiver	A fitting on the water cooled condenser receiver for connecting the water pipes	WCC
60720	Water outlet valve	Device for closing/opening the water outlet flow in the water-cooled condenser	VWO
60725	Water Cooled Condenser Drain Tap	Tap device used to drain water from the water cooling circuit of the water condenser when not in use	WCD
60730	Condenser not listed	Other condenser devices not listed	KMI
60740	Cascade heat exchanger	A multi stage heat exchanger, where one acts as the condenser for the other	HXC
60745	Condenser coil sensor	Apparatus which detects the temperature of the condenser coil	SKC

K.1.3 Evaporator – Location: MVNN

Numerical code	Name	Description	CEDEX code
60810	Coil assembly	Series of pipes connected in rows to increase heat exchange	CAS
60811	Coil Assembly - Evaporator	Series of pipes and fins connected in rows to increase heat exchange in the evaporator section	CSV
60815	Coil Assembly - Bolt Evaporator	Fixing component used to secure the evaporator assembly in position	FIV
60820	Inlet tubing	Series of pipes through which the refrigerant gets into the evaporator	TIN
60830	Outlet tubing	Series of pipes through which the refrigerant gets out of the evaporator	TOU
60840	Bent tubes (return tube)	Bent tubes to connect one row of pipes to another	TBE
60850	Straight tube	Tube to allow refrigeration gas circulation through the fins of the evaporator	TPI
60851	Drain Pan Heater - LH	Electrical resistors for defrosting the 'Left Side' drain pan or heating the container	HDL
60852	Drain Pan Heater - RH	Electrical resistors for defrosting the 'Right Side' drain pan or heating the container	HDR
60854	Coil Fins - Evaporator	Fins expediting heat transfer from evaporator tubes	CFV
60855	Coil fins	Fins expediting heat transfer from tubes	CFI
60856	Evaporator coil heaters	Electric resistors for defrosting the evaporator or heating the inside of the container	HVC
60857	Drain pan defrost heaters	Electrical resistors for defrosting the drain pan or heating the container	HDP
60858	Overheat protection switch ["klixon"]	Device which switches off heaters in case of too high temperature	KLX
60859	Drain tube defrost heaters	Electric resistors provided on the drain tube for defrosting	DTH
60860	Motor	Motor assembly to revolve the evaporator fan	MAS

Numerical code	Name	Description	CEDEX code
60861	Drain port defrost heaters	Electric resistors provide on the drain port for defrosting	DPH
60862	Heater Holding Back Strip	Retainer for the heater elements	HHS
60863	Overheat Protection Switch (Klixon) Wiring	Wiring for the Overheat protection switch ["klixon"]	WIH
60865	Evaporator Fan Motor	Motor assembly to revolve the evaporator fan	MVS
60867	Evaporator Motor -Elec Connections	Electrical terminal points on the evaporator motor	MVE
60868	Wiring, evaporator fan motor	Electrical conductors providing power to the evaporator motor	WEM
60870	Stator	Stationary winding part of the motor	STA
60880	Rotor	Winding part of the motor that revolves in the stator	ROT
60890	Collector	Conductor maintaining contact between the rotor and the stator	COL
60900	Collector brush	Carbon electrical conductor that makes sliding contact on the collector	COB
60910	Bearings	Part of the motor to support the revolving rotor in the centre of the stator	BNG
60915	Bearing -Evap Fan Motor	Part of the evaporator motor to support the revolving rotor in the centre of the stator	BNV
60920	Terminal mounting plate	Board for making electrical connections on the evaporator motor	TMP
60925	Evap Motor Bearing Shields	Housing in which the evaporator motor bearing is fixed	BSV
60930	Overload protection switch	Safety device to switch off the system in case of overloading of the motor	POL
60940	Fixing/securing device	Fixing elements of the evaporator/motor assembly to the frame	FIX
60950	Fan	Assembly of blades to produce a volume of air through the evaporator coil	FAN
60951	Evaporator Fan	Assembly of blades to produce a volume of	FVN

Numerical code	Name	Description	CEDEX code
		air through the evaporator coil	
60952	Evaporator Fan Wheel - LH	Left hand side assembly of blades to produce a volume of air through the evaporator coil	FVL
60953	Evaporator Fan Wheel - RH	Right hand side assembly of blades to produce a volume of air through the evaporator coil	FVR
60970	Others	Other evaporator devices not listed	VMI
60980	Evap Fan Housing	Casing around the evaporator fan	VFH
60981	Evap Fan Housing - LH	Casing around the left hand side evaporator fan	VHL
60982	Evap Fan Housing - RH	Casing around the right hand side evaporator fan	VHR
60983	Evaporator Fan Venturi	Device used to channel the air flow around the evaporator fan	VFV
60984	Evaporator Motor (1 Speed)	A single speed motor assembly to revolve the evaporator fan	MAO
60985	Evaporator Motor (2 Speed)	A dual speed motor assembly to revolve the evaporator fan	MAT
60986	Evap Fan Motor (EFM-1) RHS	Motor which rotates the number 1 or right side evaporator fan	VFA
60987	Evap Fan Motor (EFM-2) LHS	Motor which rotates the number 2 or left side evaporator fan	VFB
60988	Evap Fan Motor - Bracket	Plate or bracket onto which the evaporator fan motor is fitted which in turn is secured to the frame	VFC
60989	Evap Motor Mount	Plate or bracket onto which the evaporator fan motor is fitted which in turn is secured to the frame	EMM
60990	Evaporator Motor - Bolt	Fixing component used to secure the evaporator motor in position	MVF
60991	Evaporator Fan Motor Terminal Box Cover	Cover for the evaporator fan motor terminal box	EMC

K.1.4 Electrical power – Location: MENN

Numerical code	Name	Description	CEDEX code
61010	Electrical plug, 460 V	Device to connect the 460-volt power cable to the power supply receptacle	EPL
61015	Electrical plug, 230 V	Device to connect the 230-volt power cable to the power supply receptacle	EPE
61020	Cable, 460 V	Power line (460-volt) to transmit electrical power to the refrigeration unit	ECB
61021	Cable Receptacle (Elec Conn) Female	A fitting connected to an electrical cable to receive a plug, female terminals	ECF
61022	Cable Receptacle (Elec Conn) Male	A plug fitting connected to an electrical cable, male terminals	ECM
61023	Cable Clamp	A device for securing an electrical cable	CCL
61024	Cable Cover - Swing Down Cover	Hinged cover for the cable storage area	CCO
61025	Cable, 230 V	Power line (230-volt) to transmit electrical power to the refrigeration unit	ECC
61026	Cable indicator sleeve, 460 V	Identifying label on 460-volt power cable	ECD
61027	Cable indicator sleeve, 230 V	Identifying label on 230-volt power cable	ECE
61028	Electric Cable Gland - 220/440 Volt	Sleeve fitted around the 220/440volt cable when passing through a compartment or panel to prevent water ingress	ECQ
61030	On/off main switch ---- (/ Elec.On/Off Switch	Manual device which makes and breaks the refrigeration unit electric circuit	SMN
61031	Switch Plate	Cover behind switches	SWP
61032	Switch boot, on-off switch	Protective cover for a switch	SWB
61035	Power Saving Switch	Manual device for selecting an option to reduce the power consumption by the refrigeration machinery	PSS
61040	Voltage selection switch	Device which allows to adapt voltage accepted by the unit according to the power supply available	SVS

Numerical code	Name	Description	CEDEX code
61041	Voltage Selector Switch (1 Speed)	Device which allows to adapt voltage accepted by the unit according to the power supply available, fitted to single speed units	SVA
61042	Voltage Selector Switch (2 Speed)	Device which allows to adapt voltage accepted by the unit according to the power supply available, fitted to dual speed units	SVB
61043	Voltage Selector Switch Handle (1 Speed)	Knob or handle for the rotation of the voltage selection switch on single speed units	SVC
61044	Voltage Selector Switch Handle (2 Speed)	Knob or handle for the rotation of the voltage selection switch on dual speed units	SVE
61045	Voltage selection switch knob	Knob for rotation voltage selection switch	SVK
61046	Voltage selection switch door	Cover for voltage selection switch compartment	SVD
61047	Voltage selection switch door hinge	Hinge for cover for voltage selection switch compartment	SVH
61050	Circuit breaker, 460 V	Safety device which breaks the 460-volt electric circuit if a fault develops	CBR
61052	Control circuit breaker, generic	Any circuit breaker of the control circuit	CBC
61055	Circuit breaker, 230 V	Safety device which breaks the 230-volt electric circuit if fault develops	CBB
61058	Transformer Base	Mounting plate or bracket for transformer	TRB
61059	Transformer Cover	Cover for the transformer	TFL
61060	Power transformer	Apparatus which converts electrical voltage from the supply voltage to operating voltage	TFM
61061	Circuit Breaker - Control Circuit (CB3)	Safety device which breaks the control (24-volt) electric circuit if fault develops	CBT
61062	Circuit Breaker - CB4	Safety device which protects the computer controller	CBF
61063	Circuit Breaker 5	Safety device which protects the indicator light circuit	CBV
61064	Circuit Breaker 8 Amps	Safety device which breaks the electric	CBE

Numerical code	Name	Description	CEDEX code
		circuit if the current exceeds 8 amperes	
61065	Circuit Breaker Bracket/Mount	Plate or bracket in the electrical control box onto which the circuit breaker(s) are fitted	CBM
61066	Circuit Breaker Heat Shield	A cover used to prevent heat damage from the circuit breakers on other components	CBH
61067	Circuit Breaker -- (3.0 Amp C.B.)	Safety device which breaks the electric circuit if the current exceeds 3 amperes	CBW
61068	Overload (O/L 1 & 3) 2.8 Amp	Safety device which breaks the electric circuit if the current exceeds 2.8 amperes	ROM
61069	Overload (O/L 2 & 4) 1.9 Amp	Safety device which breaks the electric circuit if the current exceeds 1.9 amperes	RON
61070	Phase reversal device	Device which reverses the electric current phase order in case of unsuitable phase order of the power supply	PRS
61080	Power supply terminal plate	Electrical connections which receive the power supply directly from the mains	EPS
61085	Eight Way Earth Bar	Busbar rail to commonly connect earth electrical components	EBE
61090	Compressor motor capacitor	Apparatus for accumulating electricity which allows the compressor motor to be started up	CAQ
61100	Evaporator fan motor capacitor	Apparatus for accumulating electricity which allows the evaporator motor to be started up	CAV
61110	Condenser fan motor capacitor	Apparatus for accumulating electricity which allows the condenser motor to be started up	CAK
61120	Compressor contactor	Contacto r which makes or breaks the compressor electric circuit according to the control box order	CQA
61130	Compressor low-speed contacto r	Contacto r which makes or breaks the compressor low-speed electric circuit according to the control box order	CQL
61131	Compressor Low-Speed Contacto r - 40A	Contacto r which makes or breaks the compressor low-speed electric circuit according to the control box order. This electrical contacto r is rated at 40 amperes.	CQC

Numerical code	Name	Description	CEDEX code
61135	Switch high-low speed condenser motor	Device which changes the speed of the condenser motor to either high or low	SHL
61136	Two speed switch	Device which toggles the speed between high and low	STS
61140	Compressor high-speed contactor	Contactors which make or break the compressor high-speed electric circuit according to the control box order	CQH
61141	Compressor High-Speed Contactor - 60A	Contactors which make or break the compressor low-speed electric circuit according to the control box order. This electrical contactor is rated at 60 amperes.	CQB
61150	Evaporator contactor	Contactors which make or break the evaporator electric circuit according to the control box order	CVA
61152	Overload Relay - CF & EF	Device which initiates a warning of overload on the condenser or evaporator fans	ROA
61155	Evap Fan Fail Relay	Device which initiates a warning of the evaporator fan failure to run	REF
61160	Evaporator fan motor low-speed contactor	Contactors which make or break the evaporator low-speed electric circuit according to the control box order	CVL
61165	Evaporator Fan Low Speed Relay	Relay which initiates the makes or breaks of the evaporator low-speed electric circuit according to the control box order	RVL
61170	Evaporator fan motor high-speed contactor	Contactors which make or break the evaporator high-speed electric circuit according to the control box order	CVH
61175	Evaporator Fan High Speed Relay	Relay which initiates the makes or breaks of the evaporator high-speed electric circuit according to the control box order	RVH
61180	Condenser fan motor contactor	Contactors which make or break the condenser electric circuit according to the control box order	CKA
61182	Condenser Fan High Speed Relay	Relay which initiates the makes or breaks of the condenser high-speed electric circuit according to the control box order	RKH
61183	Condenser Fan Low	Relay which initiates the makes or breaks of the condenser low-speed electric circuit	RKL

Numerical code	Name	Description	CEDEX code
	Speed Relay	according to the control box order	
61185	Switch condenser fan off	Device which switches the condenser fan on or off	SCO
61190	Condenser fan motor low-speed contactor	Contactor which makes and breaks the condenser low-speed electric circuit according to the control box order	CKL
61200	Condenser fan motor high-speed contactor	Contactor which makes or breaks the condenser high-speed electric circuit according to the control box order	CKH
61210	Defrost/heating resistors contactor	Contactor which makes or breaks the heating resistor electric circuit according to the control box order	CHR
61220	Phase contactor	Contactor which sets up the phase order according to the phase reversal system	CPH
61230	Terminals	Points where electrical/electronic components are connected	CON
61240	Wiring	System of wires between electric components	WIR
61250	Electrical power devices not listed	Other electrical power devices not listed	EMI
61260	Liquid Injection Controller	Printed circuit that controls liquid refrigerant injection into compressor suction piping	BLI

K.1.5 Regulation/ control – Location: MCNN

Numerical code	Name	Description	CEDEX code
61305	Liquid Line Sensor	Apparatus which detects the temperature of the refrigerant liquid line	SLI
61325	MPA Chip Kit	Replaceable memory chip for the controller	CCK
61330	Controller Key Pad	A key pad that allows the entry of of settings for the controller	CKP
61370	J-Plug Assembly / Wiring Harness to Controller	A wiring harness and plug assembly to the controller	JPA
61375	J-Plug Assembly / Wiring Harness - Controller -	A wiring harness and plug assembly between the controller and electronic	JPB

Numerical code	Name	Description	CEDEX code
	Data Recorder	recorder components	
61380	J-Plug Assembly / Wiring Harness - Display Module - Controller	A wiring harness and plug assembly between the display and controller components	JPC
61385	J-Plug Assembly / Wiring Harness - Hi Voltage - Controller	A wiring harness and plug assembly between the high voltage and controller components	JPD
61390	J-Plug Assembly / Wiring Harness - Key Pad To Display	A wiring harness and plug assembly between the keypad and display components	JPE
61395	LED Indicator	Light emitting diode display which notes a system operating state	LID
61400	Communication Module	A device which allows data retrieval from an electronic data recorder	CMN
61405	Contacteur Panel	Panel upon which the contactors or the contactor mounting rail is fitted	COP
61406	Contacteur Mounting Rail	A channel rail or plate in the electrical control box onto which the contactor(s) are fitted	CMR
61407	Contacteur Mounting Rail End Clamp	The end piece of the channel rail in the electrical control box onto which the contactor(s) are fitted	CME
61408	Contacteur Panel Spacer	A distance piece to allow the contactor panel to stand off the compartment in which it is housed	CSP
61410	Controller	Device which controls essential functions of the refrigeration unit, especially temperature	CTR
61411	Microprocessor Controller Securing Screws	Device used to secure the screw to the microprocessor controller	CSS
61412	Controller (PCB) Cover - Front	Cover (front face of the PCB controller	CTO
61413	Controller Cover Hinge	Hinge supporting controller cover	CTH
61415	Microprocessor controller	Controller whose functions are governed by a microprocessor chip	CPU
61416	Software	Operating instructions for the controller	CSW

Numerical code	Name	Description	CEDEX code
61417	Relay, micro processor	A component of the microprocessor which starts or stops a function	RPU
61420	Mechanical temperature recorder	Complete assembly of device which records the inside temperature of the container	REC
61425	Recorder clock	Clock which rotates the recorder chart	RCL
61426	Recorder mechanism	Mechanical device driving stylus of temperature recorder	RCR
61427	Piston Pak	A sealed element that provides the mechanical force to operate the temperature recorder	PKK
61430	Timer	Device which controls and sets up delays between the different functioning modes of the refrigeration unit	TIM
61431	6 Minute Timer - Pcb	A circuit board timer which delays the restart of the compressor	BTO
61432	Null Set Switch	A switch which allows the temperature setting of the compressor ON upper limit.	PNS
61435	Recording chart	Paper record of return air temperature during a time interval	RCH
61437	Recording chart battery	A replaceable electrical power supply for the recording chart drive mechanism	RCB
61440	Stylus (Regulation Stylus)	Point which records the temperature versus time on a chart	STY
61441	Stylus lifter	Arm which engages and disengages stylus from contact with recording chart	STL
61442	DataCorder Battery Pack	A power source fitted to the an electronic data recorder which allows data recording with the mains power disconnected	ERB
61443	Battery/charger, back-up	The charger for the backup battery	CHB
61444	Back-up battery for data logger	A battery to provide power to the data logger when the unit is switched off	ERP
61445	Electronic recorder/data-logger	Device which records the operating conditions of the unit for retrieval by electronic means	ERD

Numerical code	Name	Description	CEDEX code
61447	Data Retrieval Socket	An opening which allows for a plug to be inserted to facilitate the electronic transfer of data	ERS
61448	Data Retrieval Socket Cap	A cover for the opening on the data retrieval socket	ERC
61450	Thermostat	Device which regulates the container inside temperature according to the set point temperature	TMT
61460	Record sensor probe	Apparatus which indicates the container temperature to the recorder	SRE
61465	Probe Switch	Switch which controls the selection the supply and return air probes.	SPR
61466	Wiring for evaporator temperature sensor	Wiring between controller and evaporator temperature probe sensor	WVS
61470	Control sensor (return air)	Apparatus which indicates the temperature of the return air to the controller	SRA
61480	Control sensor (supply air)	Apparatus which indicates the temperature of the supply air to the controller	SSA
61485	Supply Air Push Button	A button which controls the selection the supply and return air probes.	SAB
61490	Hour meter	Clock which records the compressor running hours	HMT
61500	Thermistor ("Simpson") sensor	Apparatus which indicates the temperature to the thermometer jack	SSY
61510	Thermistor ("Simpson") jack	Receptacle where the temperature meter can be connected	SYJ
61520	Electronic recorder sensor (return air)	Sensor which indicates the temperature to the recorder return channel	SER
61523	Electronic recorder sensor (supply air)	Sensor which indicates the temperature to the recorder supply channel	SES
61524	Defrost timer	Clock which controls the space of time between two defrost episodes	TDF
61525	Manual defrost	Device which allows to start the defrosting manually	SMD

Numerical code	Name	Description	CEDEX code
61526	Defrost termination switch	Device which switches off the defrosting of the evaporator	SDT
61527	Evaporation coil defrost temperature sensor	Device which controls the defrost cycle by sensing temperature	EVS
61528	Air pressure switch	Device to pick up pressure difference across evaporator coil for defrost initiation	APS
61530	Defrost relay	Relay which controls the defrosting of the evaporator coil	RDE
61535	Defrost interval selector switch	Switch to select choice of defrost intervals	DIS
61536	Defrost interval selector switch knob	Knob fitted to shaft of defrost interval selector switch	DIK
61540	Phase-reversal relay	Relay energizing either of two electrical phase contactors	RPR
61550	Timer relay	Relay which controls the start-up of the electric components of the refrigeration unit	RTM
61560	Heating relay	Relay which operates the heating resistors	RHR
61570	In range relay	Relay which operates the "in range" light when the container is in correct temperature range	RIR
61580	Cooling relay	Relay which operates the "cooling" light when the compressor is working	RFC
61590	Unloading relay	Relay which operates the unloading of the compressor cylinders when the container is reaching the set point temperature	RCU
61600	Compressor cooling relay (quench)	Relay which operates the quench valve	RQQ
61610	Compressor overload relay	Relay which switches off the compressor motor in case of overload	ROL
61620	Partial cool relay	Relay which operates the "partial cool" light when the compressor is working at reduced power (temperature close to the set point)	RPC
61630	Mother electronic board	Main electronic board which is connected to all the other electronic boards	BMN

Numerical code	Name	Description	CEDEX code
61631	Relay, mother board	A component of the microprocessor mother board which starts or stops a function	REL
61640	Control electronic board	Electronic board which manages all the controller functions	BCT
61650	Phase reversal electronic board	Electronic board which controls the reversal of the phase sequence	BPR
61660	Power + supply in range electronic board	Electronic board which controls the power supply and the temperature inside the container	BMS
61670	Timing + current control electronic board	Electronic board which controls the motor starting sequence and the electric current of the modulating valves	BCC
61675	Current Transformer	Apparatus in the control circuit which converts and maintains electrical current in the operating current at a constant level	CTF
61680	Temperature control electronic board	Electronic board which controls the temperature inside the container	BTC
61690	Relay electronic board	Electronic board which all the various relays are connected to	BRY
61700	Amplifier electronic board	Electronic board which amplifies the data coming from the various sensors	BAM
61710	Temperature display	Device which displays the temperature of the supply or return air	TDI
61711	Display assembly	Indicator device for displaying the temperature or another condition of the refrigeration system	BDA
61715	Temperature simulator switch	Switch to mimic different temperature to control than actual one	TSS
61720	Transformer, control circuit	Apparatus which converts electrical voltage from the supply voltage to that required in the control circuit	TRF
61722	Potential Transformer	Apparatus which converts and maintains at a constant level the electrical potential (voltage) in the control circuit	POT
61730	Fuse	Short piece of wire which melts and breaks the control circuit if a fault develops in it	FUS

Numerical code	Name	Description	CEDEX code
61735	Fuse holder	Retainer for fuses	FHD
61740	Monitor lights	Device which indicates the running condition of the refrigeration unit	LIT
61741	Indicator light lamp	Lamp which indicates the running condition of a particular component of the refrigeration system	LIB
61742	Lens (indicator light)	A coloured cover for the indicator or monitoring lamps	LIL
61745	Light Switch	This switch is used to turn on and off all the main indicator lights.	LIS
61751	Remote Monitoring Receptacle	A socket which allows the connection of the remote monitoring plug	MRR
61752	Remote Monitoring Relay	A protection device within the remote monitoring circuit	RMR
61753	Remote Monitoring Module	A device which collates and transmits electronically data concerning the state of various parameters on the refrigeration machinery to a location away from the refrigeration machinery	MRM
61755	Remote monitoring receptacle cap and chain	Cover and retainer for remote monitoring receptacle	MRC
61760	Remote monitoring plug	Device to connect the remote monitoring device	MRP
61765	Condenser pressure switch	Device which operates the condenser fans according to the discharge pressure of the compressor	SPK
61766	Water-cooled condenser pressure switch	Device which switches off the condenser fans when the water-cooled condenser is connected	SPW
61770	Override delay switch	Device which allows to cancel the motor starting sequence	SOR
61771	Override Delay Switch Knob	Knob fitted to shaft of override delay switch	SOK
61775	Regulation terminals	Connection points for regulation electrical components	CRE

Numerical code	Name	Description	CEDEX code
61780	Connections	Points where electric/electronic components are connected	CON
61790	Operation test (toggle) switch	Device which allows to simulate a temperature different from the set point in order to test the refrigeration unit	TSW
61795	Set point selector (digital)	Digital selection switch(es) to set the required temperature to be maintained	SPS
61796	Dial set point thermostat	Rheostat (including knob) to set the required temperature to be maintained	THE
61800	Regulation/control devices not listed	Other regulation/control devices not listed	CMI
61810	6 -way Terminal Block	Component for making 6 electrical connections	TBA
61815	8 -way Terminal Block	Component for making 8 electrical connections	TBB
61820	26 -way Terminal Block	Component for making 26 electrical connections	TBC
61850	Super freeze probes	Device which detects the temperature in a super freeze system	SSP
61855	Wiring for air probe	Wiring between controller and air probe sensor	WRA
61860	Wiring, discharge probe	Wiring between controller and discharge probe sensor	WSA
61870	Data Retrieval Port - USDA Receptacle (5PINS)	An opening with 5 data pins which complies to the USDA regulations and allows for a plug to be inserted to facilitate the electronic transfer of data	ERI
61875	Data Retrieval Port - USDA Receptacle (4 Pins)	An opening with 4 data pins which complies with the USDA regulations and allows for a plug to be inserted facilitating the electronic transfer of data.	ERO
61880	Housing/socket probe, return (USDA)	Location for fitting the USDA return probe	SHR

K.1.6 Piping – Location: MPNN

Numerical code	Name	Description	CEDEX code
62000	Suction line insulation	Material which prevents heat transfer in the suction line	ISL
62003	Suction Line Bypass Valve	A valve which allows the refrigerant to circumvent the suction line	VBA
62004	Suction by-pass valve, repair kit	A kit for repairing the suction by-pass valve	VBK
62005	Suct Line Bypass Valve - Solenoid	An electrical device which activates the suction line bypass valve	VBS
62006	DSV Connector Cap	The cover of the threaded part of the discharge service valve allowing the attachment of gauges	VCC
62010	Quench valve	Device which allows refrigeration of the compressor during the partial cool sequence and/or when the suction modulating valve is nearly closed	VQA
62015	Quench expansion valve	An expansion valve device which allows cooling of the compressor during the partial cool sequence and/or when the suction modulating valve is nearly closed	VQX
62020	Quench valve body	Mechanical structure of the quench valve	VQB
62030	Quench valve solenoid	Solenoid coil which operates the quench valve solenoid	VQS
62040	Suction modulating valve	Device which allows the suction modulation of the compressor during the partial control	VMA
62041	Suction Mod Valve - Solenoid	Device which operates the suction modulation valve	VMC
62050	Modulating valve body	Mechanical structure of the modulating valve	VMB
62060	Modulating valve solenoid	Solenoid coil which operates the modulating valve	VMS
62070	Suction solenoid valve	Device which is opened when the temperature inside the container is far from the set point and closed when it is close to it (partial cool)	VSA

Numerical code	Name	Description	CEDEX code
62071	Suction Solenoid Valve - Lower	The lower section of a device which is opened when the temperature inside the container is far from the set point and closed when it is close to it (partial cool)	VSE
62072	Suction Solenoid Valve - Part	A part of a device which is opened when the temperature inside the container is far from the set point and closed when it is close to it (partial cool)	VSP
62073	Suction Solenoid Valve - Upper	The upper section of a device which is opened when the temperature inside the container is far from the set point and closed when it is close to it (partial cool)	VST
62080	Suction solenoid body	Mechanical structure of the suction valve	VSB
62090	Suction valve solenoid	Solenoid which operates the suction valve	VSS
62100	Hot-gas modulating valve	Device which allows evaporator defrosting and/or temperature control by injection of hot refrigerant into the suction-gas line	VGA
62110	Hot-gas modulating valve body	Mechanical structure of the hot gas modulating valve	VGB
62120	Hot-gas modulating valve solenoid	Solenoid which operates the hot gas modulating valve	VGS
62121	Hot Gas Mod Valve Diode	Electrical device which limits the current flow to the hot gas pulse valve solenoid	VGD
62122	Hot Gas Pulse Valve	Device which allows temperature control by injection of hot refrigerant into the suction-gas line	VPA
62123	Hot Gas Pulse Valve - Solenoid	Electrical solenoid which operates the hot gas pulse valve	VPS
62124	SSR Relay	A solid state relay which controls the signal to the hot gas pulse valve	RSS
62130	Expansion valve	Device which allows the expansion of the refrigerant into the evaporator and regulates the super-heat of the gas from the evaporator	VEX
62131	Expansion Valve Insulation	Material which prevents heat transfer in the expansion valve.	TXI

Numerical code	Name	Description	CEDEX code
62132	Txv plastic cover	Cover for the expansion valve	VEC
62135	Txv, economiser scroll units	The expansion valve fitted to units operating with a scroll compressor	VEE
62140	Feeler bulb	Sensor which indicates the temperature of the gas getting out of the evaporator to the expansion valve	BOH
62144	Discharge pressure regulator	Device to control compressor discharge pressure	PRO
62145	Pressure regulator	Device to control pressure out of compressor	PRG
62146	Suction pressure regulator	Device to control compressor suction pressure	PRI
62147	Throttling valve	Metering device controlling the flow of refrigerant for temperature control	VTH
62150	Heat exchanger	Device which allows the exchange of heat between hot gas and cold liquid in order to increase the efficiency of the refrigeration system	HEX
62170	Liquid line service valve	Device which regulates the liquid flow from the condenser	VLL
62171	Liquid Line Service Valve Cap	Cover for liquid line service valve	VLC
62172	Liquid Line Solenoid Valve	A device which electrically operates the liquid line valve	VLS
62173	Liquid Line Valve - Solenoid	Electrical solenoid which operates the liquid line valve	VLT
62174	Liquid Line Serv Valve Gauge Con/Cap	The cover of the threaded part of the liquid line service valve allowing the attachment of gauges	LGC
62177	Valve Stem Cap	Cover for a valve stem	KVC
62178	Liquid line support	Fitting for supporting the refrigerant liquid line pipework	TLS
62180	Moisture indicator	Device which indicates when there is some moisture in the refrigerant charge	SGI

Numerical code	Name	Description	CEDEX code
62190	Drier filter	Device which allows moisture to be removed from the refrigerant charge	DRF
62191	Filter Drier Strap / Clamp	A device for securing the filter / drier.	DRC
62192	Drier Fixings	Fixing component used to secure the filter drier in position	DRD
62200	Safety valve-fusible plug	Device which opens the piping circuit in case of over-pressure	FUP
62203	High Pressure Relief Valve	A safety device which vents excess pressure from the high pressure side of the refrigerant circuit	PRH
62205	Low pressure relief valve	A safety device which vents excess pressure from the low pressure side of the refrigerant circuit	PRL
62210	Discharge pressure gauge	Device which indicates the discharge pressure of the compressor	GDI
62215	Gauge bracket	A support device for the gauge	GSA
62216	Gauge line	Pipework to the gauge	GSL
62220	Suction pressure gauge	Device which indicates the suction pressure of the compressor	GSU
62250	Refrigerant receiver	Tank in which condensed refrigerant may be stored	KWT
62251	Condenser / Rec Strap	Securing devise for the refrigerant condenser receiver tank	KWC
62253	Receiver Sight Glass	Sight glass for checking the refrigerant level in the receiver	KWG
62254	Receiver Sight Glass - Alternative style	Alternative design of sight glass for checking the refrigerant level in the receiver	KWX
62255	Sight glass	Window for checking the refrigerant level	SGL
62260	Vibration absorber	Flexible pipes on the suction and discharge line of the refrigeration unit which absorb vibrations	VIB
62265	Accumulator	Storage chamber for liquid refrigerant in the suction line	ACC

Numerical code	Name	Description	CEDEX code
62270	Refrigerant charge	Volume of refrigerant inside the refrigeration unit	FCH
62271	Refrigerant R12 Charge	Volume of R12 refrigerant inside the refrigeration unit	RFT
62272	Refrigerant R409A Charge	Volume of R409A refrigerant inside the refrigeration unit	RFN
62273	Refrigerant R134A Charge	Volume of R134A refrigerant inside the refrigeration unit	RFA
62274	Refrigerant System Complete	The refrigerant system in its entirety	RSA
62275	Refrigerant, r-23 system (super freeze)	Volume of R23 refrigerant inside the refrigeration unit	RFS
62280	Piping, Other	Other piping devices not listed	PMI
62290	Support bracket, pipe system	A fitting which supports the refrigeration system pipework	TSB

K.1.7 Frame – Location: MFNN

Numerical code	Name	Description	CEDEX code
62510	Frame assembly	Structure of the refrigeration unit	FAS
62511	Main Frame Bolts	Fixing component used to secure the machinery frame to the container frame	FMB
62512	Rain Gutter	Part of, or attachment to, rear upper end rail to divert water away from door frame	RNG
62513	Grab handle	A handle on the machinery frame	GHA
62515	Custom Seal Point	A device which allows the fitting of a sealing device.	FCP
62516	Custom Seal Unit Frame	A seal point device fitted to the machinery frame.	FCS
62517	TIR Disc	Securing and seal point device fitted to the access panels on the machinery frame	TID
62519	FAV / Evaporator Panel Complete	An access cover for the evaporator section which incorporates an air exchange device	EAP

Numerical code	Name	Description	CEDEX code
62520	Evaporator access panel	Panel which can be removed to access the evaporator section from outside the container	VAP
62521	Evaporator Access Panel - Lh Side (Air Exch)	Panel on the left side which can be removed to access the evaporator section from outside the container. It may also incorporate an air exchange mechanism within the panel.	VLP
62522	Evaporator Access Panel - Rh Side (W/O Air Exch)	Panel on the right side which can be removed to access the evaporator section from outside the container. It does not incorporate an air exchange mechanism within the panel.	VRP
62523	Evaporator Access Panel - Evaporator Panel (Incl Air Exch)	Panel which can be removed to access the evaporator section from outside the container. It also incorporates an air exchange mechanism within the panel.	VXP
62524	Evaporator Access Panel Alternative type	a panel other than the conventional type which can be removed to access to the evaporator section from outside the container	VBP
62525	Heater access panel	Panel which can be removed to access the heater coils and drain section from outside the container	HAP
62526	Evaporator Access Panel Gasket - Bottom	A seal on the evaporator access panel bottom section	VGH
62527	Evaporator Access Panel Gasket - End	A seal on the evaporator access panel side /end section	VGI
62528	Evaporator Access Panel Gasket - Top	A seal on the evaporator access panel top section	VGJ
62529	Condenser Deck Assembly	Panels which channel the air flow through the condenser venturis and may also be used as support for the condenser motors	CDA
62530	Condenser grille	Mesh device which protects the condenser fan outside the container	GLK
62531	Condenser Door Panel	Flat device which protects the condenser fan outside the container	CDP
62532	Condenser Door Hinge	Hinge supporting condenser door	CDH

Numerical code	Name	Description	CEDEX code
62533	Condenser Door Hinge - Middle	Middle /centre hinge supporting condenser door	CCH
62534	Condenser Door Panel Hinge	Hinge supporting condenser panel	CDI
62535	Condenser Door Hinge - RH	Right side hinge supporting condenser door	CRH
62536	Condenser Door Hinge - LH	Left side hinge supporting condenser door	CLH
62537	Condenser Door / Grill Screw or Fixing	Fixing component fitted to the condenser door or grill and used to secure it	KDF
62538	Condenser Door / Grill Screw Receptacle	Fixing component fitted to the condenser door or grill frame and used to secure it	KDR
62539	Condenser Door / Grill Screw or Fixing - Washer	Device used to secure the screw to the condenser door	KDW
62540	Compressor protection enclosure/ provision cable	Device which protects the compressor from shocks and allows to stow the power supply cable	QPG
62541	Cable Guard Small	A part of the device which protects the compressor from shocks and allows to stow the power supply cable	QPS
62545	Air Baffle / Venturi Condenser	Device used to channel the air flow through the condenser	CDV
62546	Condenser Fan Venturi	Device used to channel the air flow around the condenser fan	CMV
62550	Evaporator grille	Device which protects the evaporator fan inside the container	GLI
62551	Evap Grill - Side	Mesh device fitted to the side of the rear front panel which protects the evaporator fan inside the container	EGS
62552	Evap Panel - Lower	Device fitted to the lower section of the rear front panel which protects the evaporator fan inside the container	ECL
62553	Evap Grill - Top	Mesh device fitted to the top of the rear front panel which protects the evaporator fan inside the container	EGT

Numerical code	Name	Description	CEDEX code
62555	Evaporator Door Gasket Horizontal	A seal to prevent air leakage on the evaporator door horizontal section	EDG
62556	Evaporator Door Gasket Vertical	A seal to prevent air leakage on the evaporator door vertical section	EDV
62557	Evap Door Hinge - Plastic	Plastic hinge supporting evaporator door	VDH
62558	Evap Door Hinge - Stainless	Stainless steel hinge supporting evaporator door	VDS
62559	Evap Panel Top	Front inside top panel of the container	ETP
62560	Inner panel	Front inside panel of the container	INP
62561	Evap Panel Door Pawls / Catches	Device for securing in a closed position the rear panel side doors	ECP
62562	Door latch, evaporator door	Device which engages with evaporator door catch to secure the door closed	VDL
62564	Side B/head Doors - RH	Right front inside removable panel of the container	EPB
62565	Side B/head Doors - LH	Left front inside removable panel of the container	EPA
62567	Upper Screen - Air (Plastic)	Plastic mesh or panel device fitted to the top of the rear front panel which protects the evaporator fan inside the container	EGA
62568	Upper Screen - Air (Poly)	Polymer material mesh or panel device fitted to the top of the rear front panel which protects the evaporator fan inside the container	EGB
62570	Compressor base	Plate to which the compressor is fixed	QBS
62580	Hardware	Screws, nuts, and bolts	HWR
62590	Frame gaskets	Seals between the refrigeration unit frame and the container frame	GAS
62600	Thermometer insertion port	Frame opening designed to insert a thermometer (either in the return air or the supply air)	TTU
62610	Drain pan	Device fixed underneath the evaporator coil to collect defrost water	DPA

Numerical code	Name	Description	CEDEX code
62620	Drain tube	Tube which drains water out of the unit	DRN
62630	Air exchange vent	Device which allows air renewal to reduce the concentration of gas given off by respiring cargo	ARE
62631	Air Exchange Vent - 4 inch	A device which allows air renewal to reduce the concentration of gas given off by respiring cargo. The vent pipe is 4 inches in diameter	ARF
62632	Air Exchange Vent - 6 inch	A device which allows air renewal to reduce the concentration of gas given off by respiring cargo. The vent pipe is 6 inches in diameter	ARG
62633	FAV Cover	A cover for the air exchange device	ARC
62634	Fresh Air Valve Gasket	A seal designed to prevent air leakage on the fresh air valve plate	FAG
62635	Fresh Air Valve (Cover) Knob	The knob used at the end of the fresh air valve spindle to secure sliding or rotary cover in the set position	ARK
62636	Fresh Air Valve Spindle	The shaft used as part of the securing device for the fresh air valve	ARR
62637	Air Exchange Valve Gasket	A seal designed to prevent air leakage on the air exchange vent	AED
62640	Electrical box	Box which contains all the electrical components for power control and recorder	BEA
62641	Electrical Door Securing Screws	A threaded device used to secure the electrical door.	BEN
62642	Electrical Door Screw Receptacle	The part of the electrical door securing device which accepts and retains the securing screw	EDR
62645	Electrical Door Securing Screws -Stud 1/4 Turn	A rotary device which enables quick securing of the electrical door.	BEB
62648	Electrical Door Securing Screws -Washer 1/4 Turn Stud	A device used to secure the securing screw to the electrical door	BEC
62650	Electrical door	Opening panel of the electrical box	BED

Numerical code	Name	Description	CEDEX code
62651	Electric Door Latch	A fastening device fitted to the electrical door.	BEL
62652	Electrical Door Hinge - LH male	Left side male component of hinge supporting electrical control box door	ELM
62653	Electrical Door Hinge - RH female	Right side female component of hinge supporting electrical control box door	ERF
62654	Electrical Door Hinge - RH male	Right side male component of hinge supporting electrical control box door	ERM
62655	Electrical Door Window	Transparent section of the electrical compartment door.	BEW
62660	Electrical door gasket	Seal designed to close the electrical box door tightly to keep water out	BEG
62661	Electrical Door Hinge - Lower	Lower hinge supporting electrical control box door	EDL
62662	Electrical Door Hinge - Upper	Upper hinge supporting electrical control box door	EDU
62663	Electrical Door Hinge - LH female	Left hand side female component of hinge supporting electrical box door	ELF
62664	Electrical door hinge	Hinge supporting electrical control box door	BEH
62665	Electrical diagram	Schematic or functional diagram of wiring	EDX
62666	Electrical diagram holder	Retainer for electrical diagram	EDH
62668	Electrical Diagram / Shield	A cover (shield) for electrical and electronic components incorporating circuit diagrams.	EDS
62670	Controller box	Box which contains all the electric and electronic equipment components of the controller	BCA
62672	Bracket, control box	Support bracket for control box	BCB
62680	Controller box door	Opening panel of the controller box	BCD
62682	Controller Compartment Door Screws	A threaded device used to secure the controller compartment door.	BCS
62685	Controller box door window	Glass mounted in controller box door	BCW

Numerical code	Name	Description	CEDEX code
62690	Controller box door gasket	Seal designed to close to controller box door tightly	BCG
62695	Controller box door hinge	Hinge supporting controller box door	BCH
62696	Controller Box Door Hinge - LH female	Left hand side female component of hinge supporting controller box door	BFL
62697	Controller Box Door Hinge - RH female	Right hand side female component of hinge supporting controller box door	BFR
62698	Controller Box Door Hinge - LH male	Left hand side male component of hinge supporting controller box door	BML
62699	Controller Box Door Hinge - RH male	Left hand side female component of hinge supporting controller box door	BMR
62700	Recorder box	Box which contains the temperature recorder	BRA
62701	Door latch, control box	A hinged device used to secure the controller compartment door.	BCL
62702	Partlow Door Latch	A fastening device fitted to the Partlow door.	PDL
62703	Partlow Door Lifter	A lifting arm for securing the Partlow door in the open position	PDR
62710	Recorder box door	Opening panel of the recorder box	BRD
62720	Recorder box door gasket	Seal designed to close the recorder box tightly	BRG
62725	Recorder box door window	Glass mounted in recorder box door	BRL
62726	Recorder box door hinge	Hinge supporting recorder box door	BRH
62730	Recorder key/chain	Key designed to wind up the clock of the recorder and the chain fastening this key to the box	RKY
62731	Recording Chart Plate	Cover fitted behind the recording chart	RCP
62732	Recorder Chart Switch	Switch which turns the recording chart timer mechanism on and off	RCS
62735	Recorder chart nut/chain	Fastener and retainer for recorder chart	RCC
62736	Recorder key holder	Retainer for recorder winding key	RKC

Numerical code	Name	Description	CEDEX code
62737	Expansion valve door hinge	Hinge support cover for expansion valve	TXH
62738	Electrical component shield	Cover to guard against accidental contact with high-voltage circuits	BES
62739	Expansion Valve Door	A cover on the front face of the machinery allowing access to the expansion valve.	TXD
62740	CO2 sampling plug	Device which allows to sample air from the container to measure the concentration of carbonic gas	COO
62745	Document holder	Pocket or tube to carry documents	MDH
62750	Markings	Printed information or warnings on the refrigeration unit	MRK
62751	Manufacturers Logos	A marking which identifies the manufacturer of the container, machinery or any of its components.	MLO
62752	Decals Control Box	Decals /markings fitted to the controller box or cover	MCN
62753	Decals Condenser Receiver Area	Markings fitted in the condenser receiver area	MPR
62754	Decals Compressor Area	A marking in the compressor area. Commonly used to identify cable voltages, refrigerant type etc.	MQA
62755	Decals Electrical Box	Decals /markings fitted to the electrical box or cover	MEB
62756	Decals Switch Panel	Markings fitted to the switch front face identifying the switches and their operation.	MSW
62760	Clamping device, upper	Device for attaching a clip-on refrigeration unit to the upper receptacle of a container	HCU
62761	Gen Set Rubbing Strip	A strip attached to the machinery face which acts as the interface between the machinery and generator set which is attached to the unit.	GSR
62770	Clamping device, lower	Device for attaching a clip-on refrigeration unit to the lower receptacle of a container	HCL
62780	Others	Other frame devices not listed	FMI

Numerical code	Name	Description	CEDEX code
62790	Diesel Gen Socket and Cap	A receptacle with a cover (or cap) which is the connection point to supply power from a diesel generator set	DGS

K.2 Miscellaneous – Location: MZNN

Numerical code	Name	Description	CEDEX code
62800	Air filter, primary	Primary screening device for air flow	AFP
62810	Air filter, secondary	Secondary screening device for air flow	AFS
62820	Controlled-atmosphere compressor	Compressor in controlled atmosphere system	CAR
62830	Controlled-atmosphere drier	Drier in controlled-atmosphere system	CAD
62840	Controlled-atmosphere heater	Heater in controlled-atmosphere system	CAH
62850	Oxygen/nitrogen separator	Membrane for separating flows of oxygen and nitrogen gases	ONS
62860	Oxygen/nitrogen valve	Flow regulator for oxygen and nitrogen gas lines	ONV
62870	Carbon dioxide supply	Tank containing carbon dioxide gas	CDY
62880	Controlled-atmosphere controller	Electronic control device for regulation of controlled-atmosphere system	CAC
62890	Sensor, oxygen	Device to detect oxygen in controlled-atmosphere system	OXS
62895	Sensor, cargo	Device which sense the cargo temperature	SCA
62900	Sensor, carbon dioxide	Device to detect carbon dioxide in controlled-atmosphere system	CDS
62905	Ambient sensor	Device which sense the ambient temperature in which the unit is operating	SAM
62910	Sensor, water	Device to detect water in controlled-atmosphere system	SRW
62915	Humidity Sensor	Device to detect humidity in controlled-atmosphere system	HUS

Numerical code	Name	Description	CEDEX code
62920	Sensor, temperature	Device to detect temperature changes in controlled-atmosphere system	SRT
62925	Sensor socket, cargo	The location where the cargo sensor is fitted	SCS
62930	Humidity control	Apparatus for controlling humidifier	HUC
62932	Switch humidity control	Device which operates the humidity control	SHU
62940	Humidifier	Apparatus for keeping humidity in a container within limits	HUM
62945	Freshmist atomizer	Device for adding water (increasing humidity) to a controlled atmosphere	AFM
62950	Water tank	Storage receptacle for water	WTK
62960	Ethylene scrubber	Filter to remove ethylene gas	ETS
62970	Carbon dioxide scrubber	Filter to remove carbon dioxide gas	CDR
62980	Controlled-atmosphere door switch	Switch to shut down operation of refrigeration and controlled-atmosphere unit where container door is opened	CAW
63000	Technical bulletin	A set of instructions issued by the owner, operator or manufacturer detailing procedures for a modification, repair, warranty etc.	BUL
63010	Pti decal (sticker)	A decal with upon which the pre-trip inspection data is noted	MPI
63020	Reefer Service Charge	A charge levied for work which is not detailed elsewhere	RSC

Annex L (normative)

Illustrations of Refrigeration Machinery Component Codes

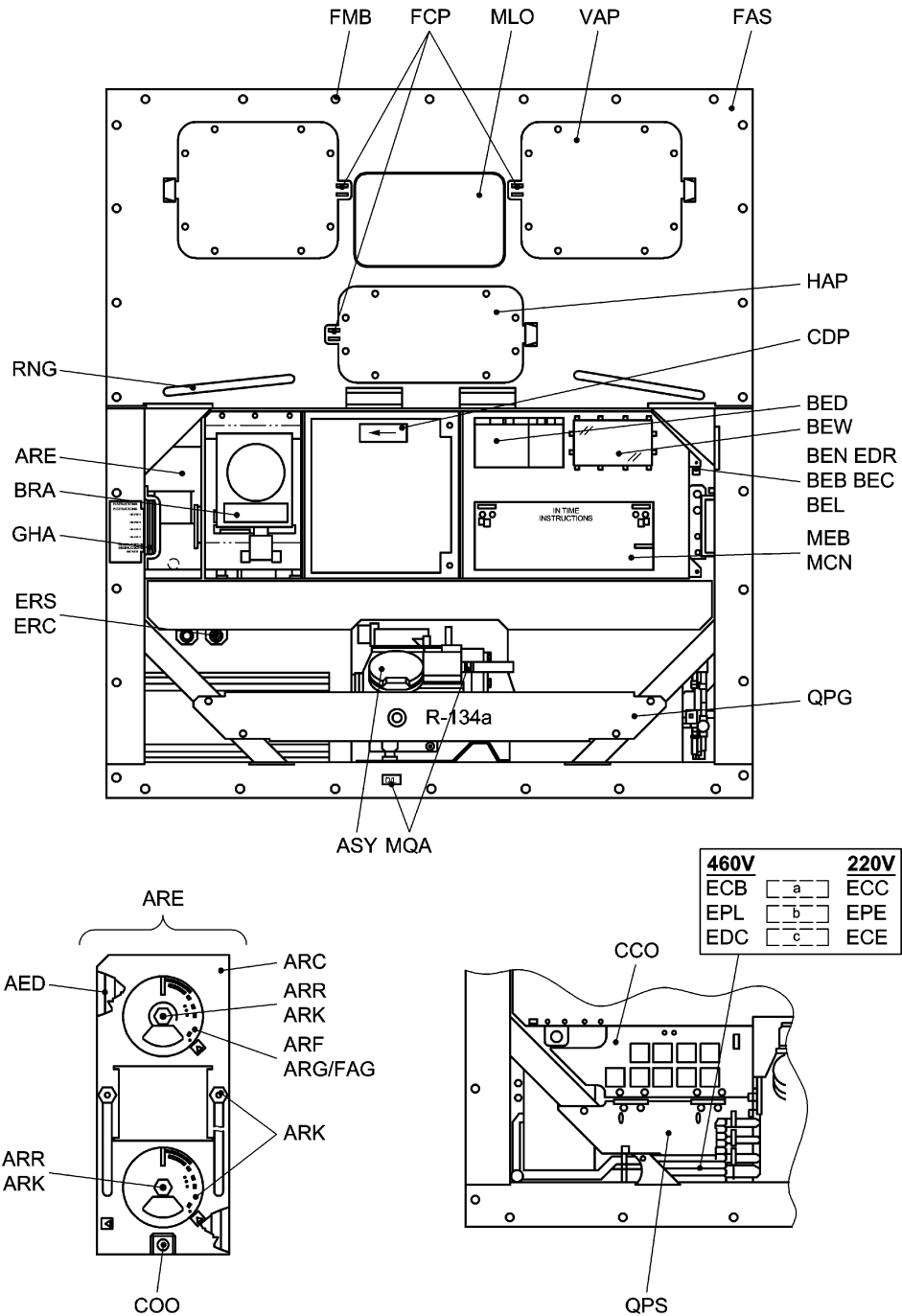


Figure L.1 — Front of unit / Cables and Air vents

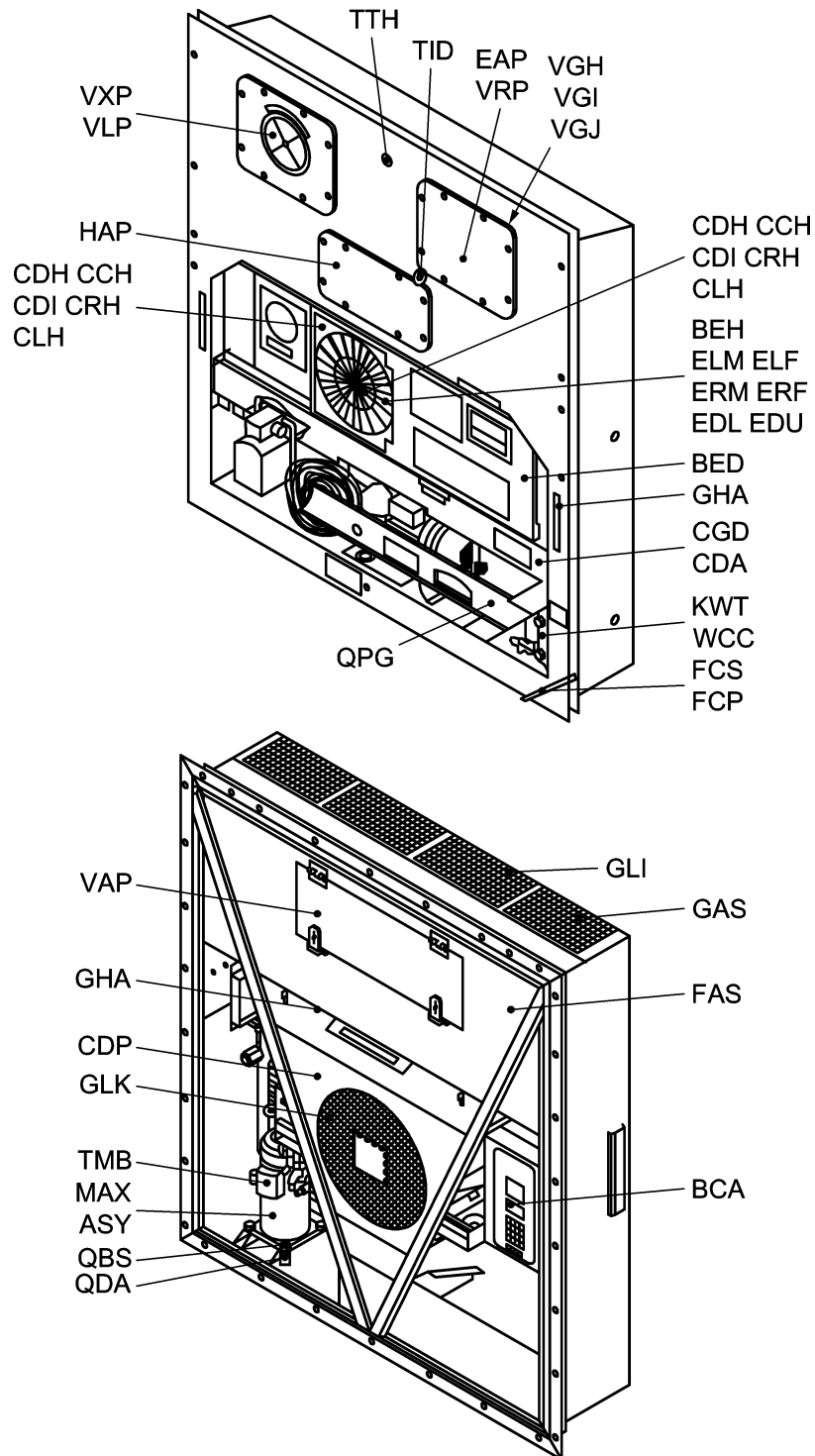


Figure L.2 — Machinery main frame

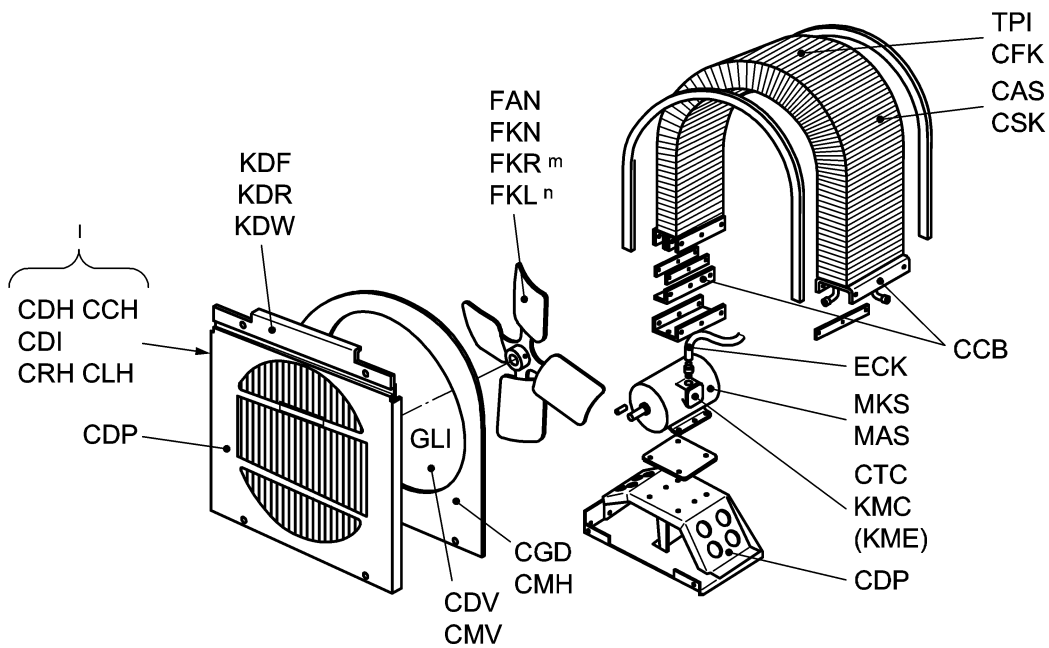
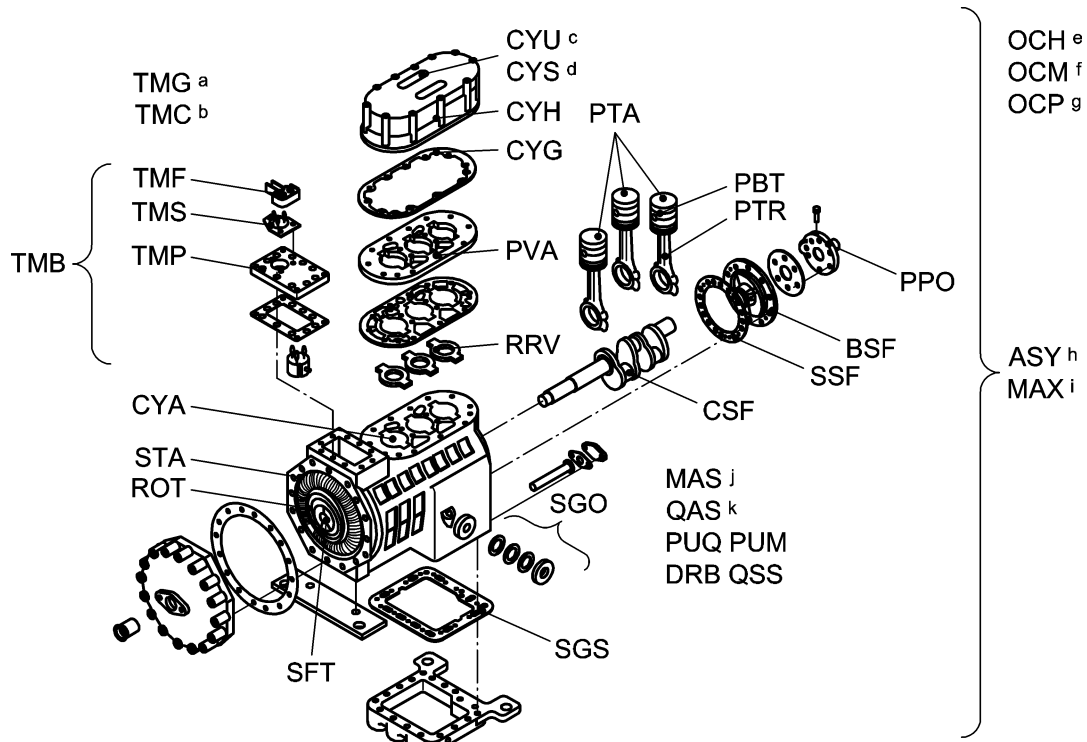


Figure L.3 — Machinery - compressor and condenser sections

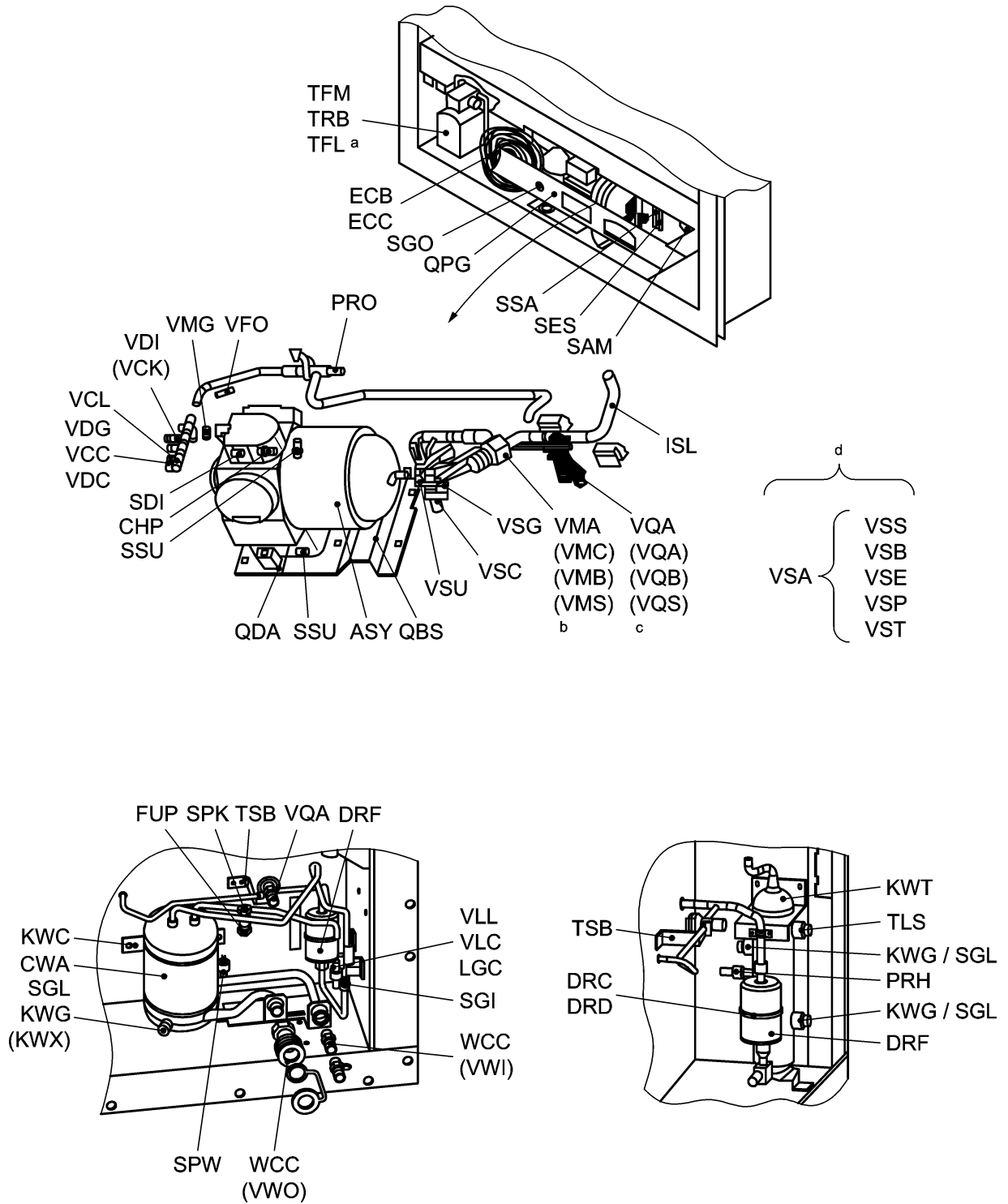


Figure L.4 — Machinery piping section

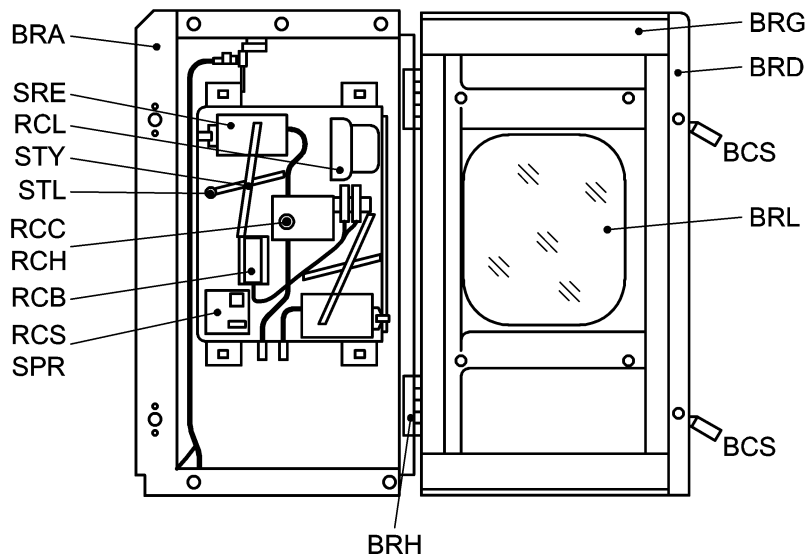
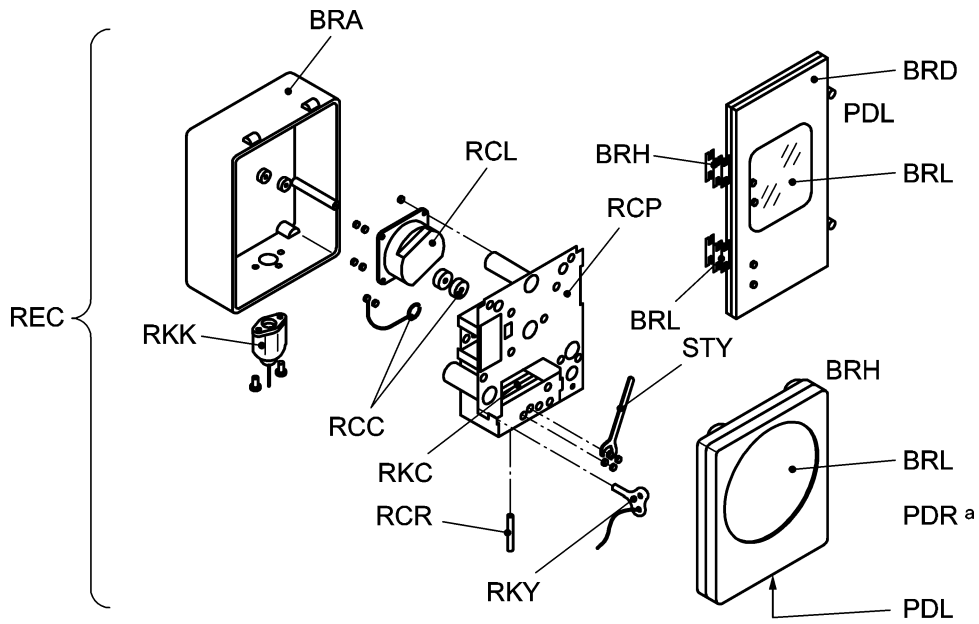


Figure L.5 — Machinery control and recorder section

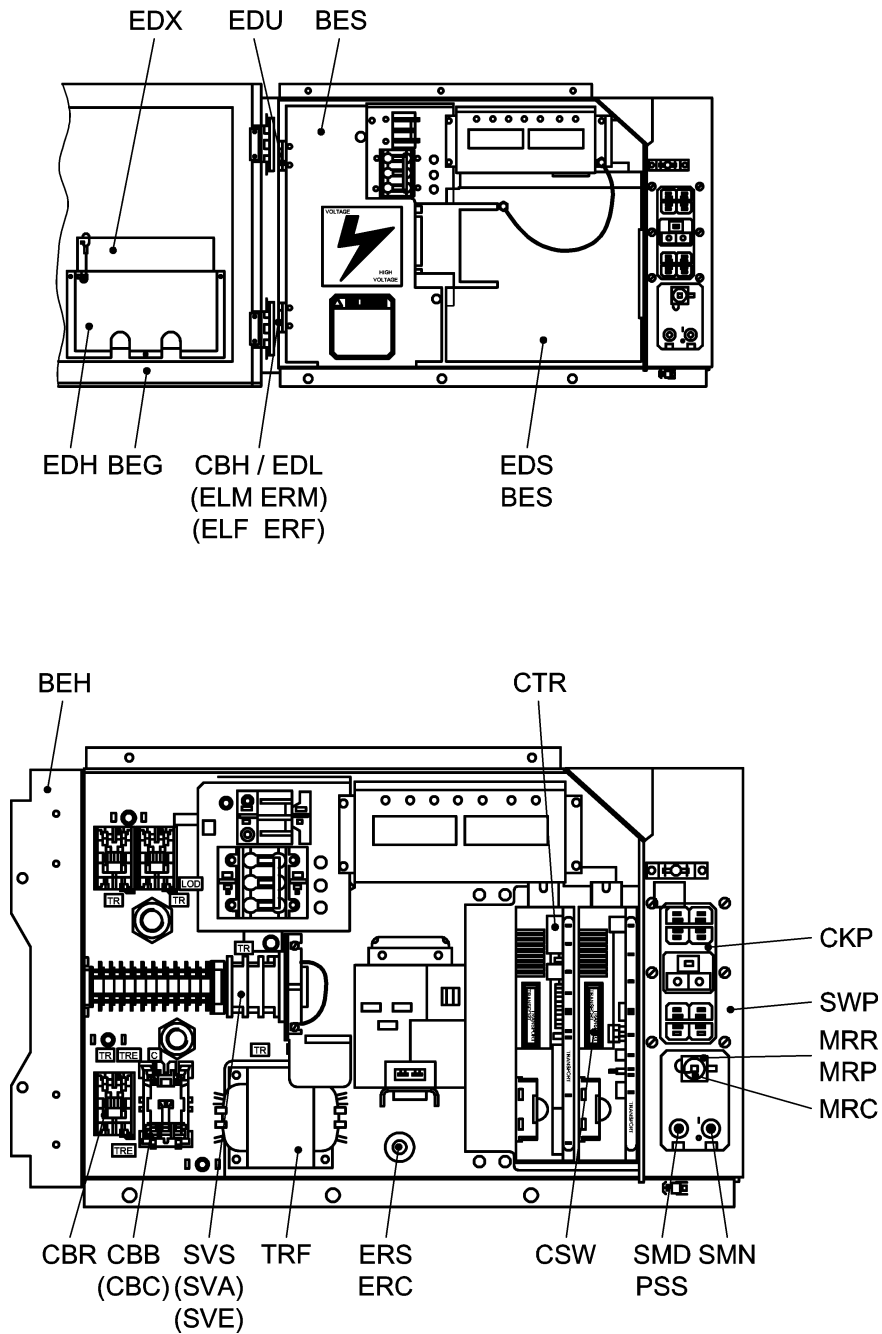


Figure L.6 — Machinery electrical section

Table L.1 — Electrical, electronic and control components

Components	Code
Contactors	
Compressor	CQA
Compressor low-speed	CQL
Compressor Low-Speed - 40A	CQC
Compressor high-speed	CQH
Compressor High-Speed - 60A	CQB
Evaporator	CVA
Evaporator fan motor low-speed	CVL
Evaporator fan motor high-speed	CVH
Condenser fan motor	CKA
Condenser fan motor low-speed	CKL
Condenser fan motor high-speed	CKH
Defrost/heating resistors	CHR
Phase	CPH
Controller	
Liquid Injection Controller	BLI
Amplifier electronic board	BAM
Control electronic board	BCT
Controller (PCB) Cover - Front	CTO
Microprocessor controller	CPU
Mother electronic board	BMN
Phase reversal electronic board	BPR
Relay electronic board	BRY
Power + supply in range electronic board	BMS

Components	Code
Temperature control electronic board	BTC
Timing + current control electronic board	BCC
Relays	
Overload - CF & EF	ROA
Evap Fan Fail	REF
Evaporator Fan Low Speed	RVL
Evaporator Fan High Speed	RVH
Condenser Fan High Speed	RKH
Condenser Fan Low Speed	RKL
Relay, micro processor	RPU
Defrost	RDE
Phase-reversal	RPR
Timer	RTM
Heating	RHR
In range	RIR
Cooling	RFC
Unloading	RCU
Compressor cooling (quench)	RQQ
Compressor overload	ROL
Partial cool	RPC
Remote Monitoring	RMR
SSR Relay	RSS

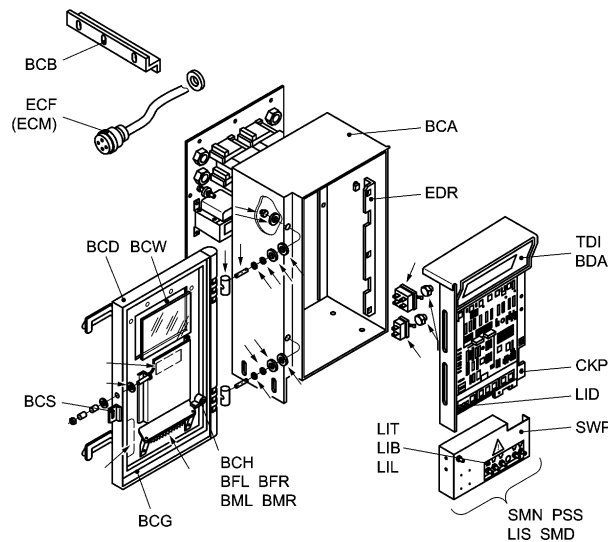


Figure L.7 — Electrical, electronic and control components (see table)

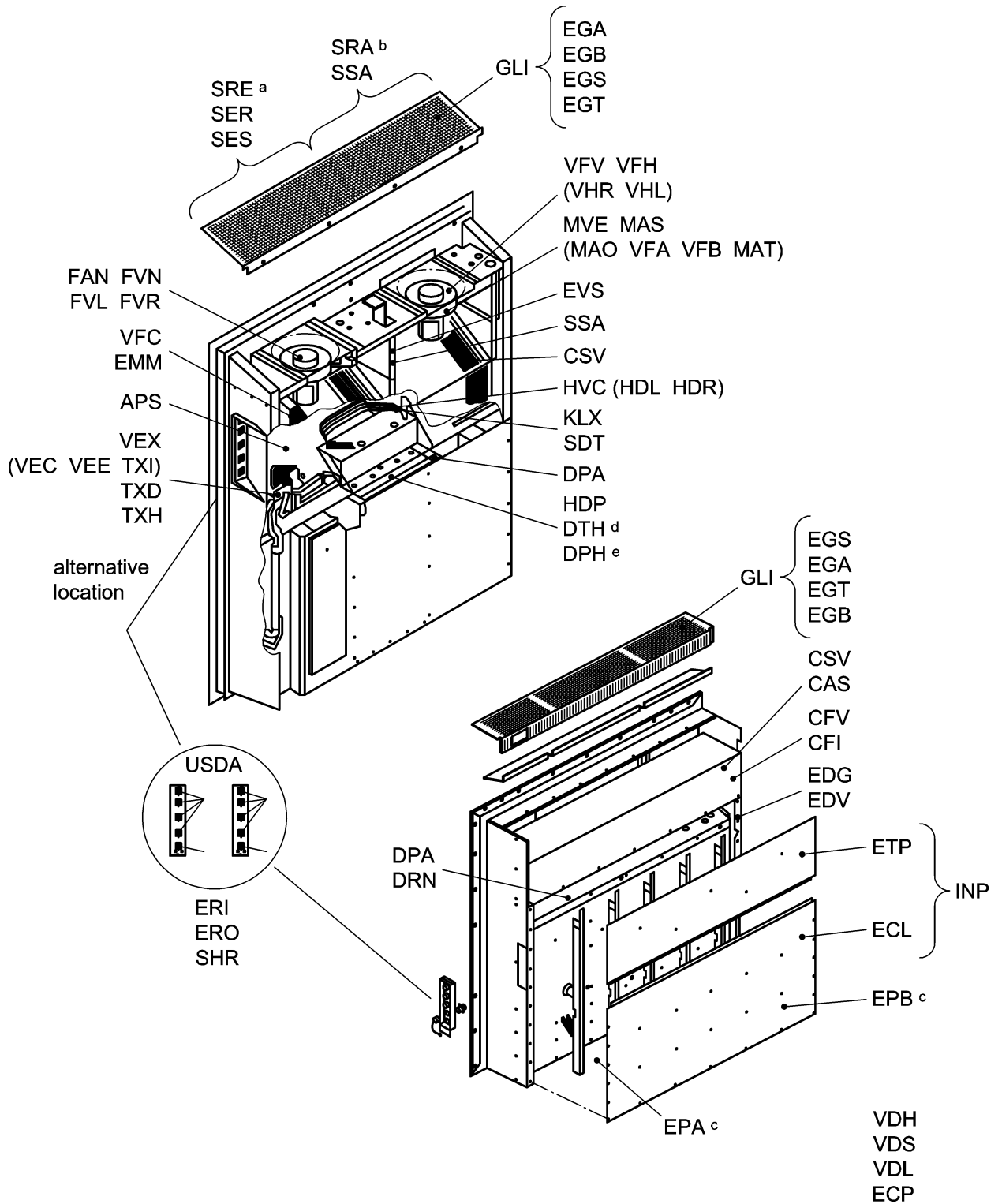


Figure L.8 — Machinery evaporator section / Rear of unit

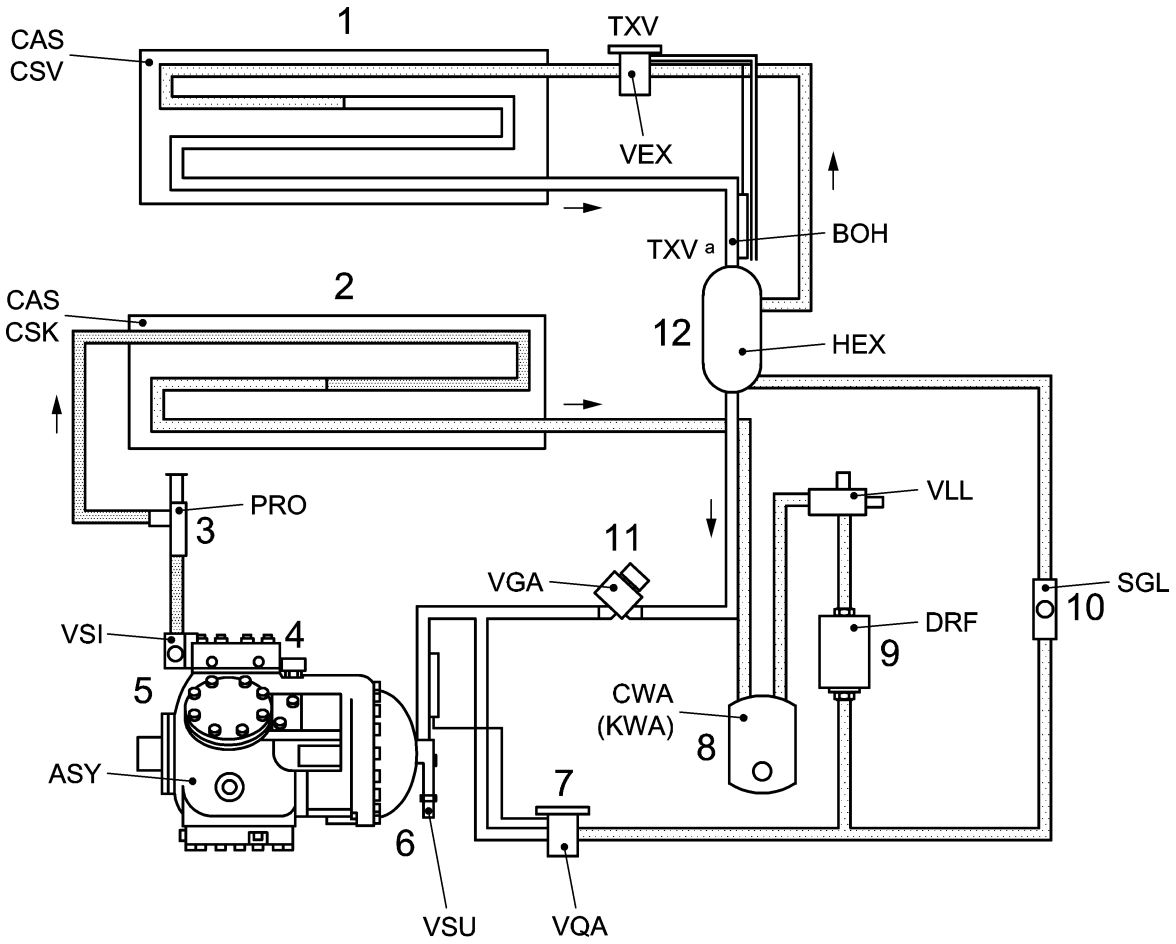


Figure L.9 — Refrigeration flow diagram

Annex M (informative)

Alphabetical list of CEDEX codes

CEDEX code	Numerical code	CEDEX code	Numerical code	CEDEX code	Numerical code	CEDEX code	Numerical code
AB	06010	BCB	62672	BMR	62699	CAC	62880
AC	06040	BCC	61670	BMS	61660	CAD	62830
ACC	62265	BCD	62680	BN	04069	CAH	62840
ADU	50250	BCG	62690	BNG	60300	CAK	61110
AED	62637	BCH	62695	BNG	60610	CAQ	61090
AFM	62945	BCL	62701	BNG	60910	CAR	62820
AFP	62800	BCS	62682	BNK	60564	CAS	60510
AFS	62810	BCT	61640	BNV	60915	CAS	60810
AP	5210	BCW	62685	BO	04070	CAV	61100
APS	61528	BD	06060	BOH	62140	CAW	62980
ARC	62633	BDA	61711	BPR	61650	CBB	61055
ARD	10640	BEA	62640	BR	04060	CBC	61052
ARE	62630	BEB	62645	BRA	62700	CBE	61064
ARF	62631	BEC	62648	BRD	62710	CBF	61062
ARG	62632	BED	62650	BRF	11565	CBH	61066
ARK	62635	BEG	62660	BRG	62720	CBM	61065
ARR	62636	BEH	62664	BRH	62726	CBR	61050
ASA	50150	BEL	62651	BRL	62725	CBT	61061
ASF	50160	BEN	62641	BRY	61690	CBV	61063
ASG	50165	BES	62738	BSF	60035	CBW	61067
ASH	50170	BEW	62655	BSV	60925	CC	06070
ASL	50180	BF	06178	BT	04020	CCB	60516
ASP	50190	BFL	62696	BTC	61680	CCH	62533
ASY	60010	BFR	62697	BTO	61431	CCK	61325
AU	05200	BK	04040	BU	06050	CCL	61023
B	01110	BLI	61260	BUL	63000	CCO	61024
BAM	61700	BML	62698	BW	04030	CD	04610
BCA	62670	BMN	61630	C	08090	CDA	62529

CEDEX code	Numerical code	CEDEX code	Numerical code	CEDEX code	Numerical code	CEDEX code	Numerical code
CDH	62532	CMF	10380	CPS	10350	CWA	60700
CDI	62534	CMH	60660	CPU	61415	CYA	60080
CDP	62531	CMI	61800	CQA	61120	CYG	60070
CDR	62970	CML	10390	CQB	61141	CYH	60040
CDS	62900	CMM	60562	CQC	61131	CYS	60060
CDV	62545	CMN	61400	CQH	61140	CYU	60050
CDY	62870	CMO	10425	CQL	61130	D	08020
CFG	10280	CMR	61406	CR	6480	DAA	12050
CFI	60555	CMT	07040	CRE	61775	DAH	12060
CFI	60855	CMU	10400	CRH	62535	DB	04140
CFK	60556	CMV	62546	CRV	50486	DC	06072
CFV	60854	CMW	10410	CSF	60034	DCS	10620
CGD	60512	CMX	10377	CSK	60511	DCU	50136
CH	04112	CN	6460	CSP	61408	DF	06090
CH	06210	CO	04110	CSS	61411	DFA	12070
CHB	61443	COB	60290	CSV	60811	DFS	11582
CHL	50640	COB	60600	CSW	61416	DGR	10509
CHP	60160	COB	60900	CT	04100	DGS	62790
CHR	61210	COL	60280	CTC	60565	DH	04162
CHU	50630	COL	60590	CTF	61675	DHB	10505
CID	50710	COL	60890	CTH	61413	DHC	10600
CK	04115	CON	61230	CTO	61412	DHL	10590
CKA	61180	CON	61780	CTR	61410	DHR	10610
CKH	61200	COO	62740	CU	04120	DIK	61536
CKL	61190	COP	61405	CUC	07044	DIS	61535
CKP	61330	COS	10270	CUF	07024	DKA	50396
CL	04090	CPA	10260	CUI	07014	DKK	50395
CLH	62536	CPH	61220	CUM	07054	DKS	50398
CLO	60180	CPI	10300	CUT	07034	DL	04150
CLP	60170	CPJ	10310	CVA	61150	DO	06075
CM	06195	CPL	10320	CVH	61170	DPA	62610
CMA	10370	CPO	10330	CVL	61160	DPH	60861
CME	61407	CPR	10340	CW	04117	DPL	10635

CEDEX code	Numerical code	CEDEX code	Numerical code	CEDEX code	Numerical code	CEDEX code	Numerical code
DR	06080	EDG	62555	ETP	62559	FUP	62200
DRA	50385	EDH	62666	ETS	62960	FUS	61730
DRB	11553	EDL	62661	EVS	61527	FVL	60952
DRB	60135	EDR	62642	EX	06305	FVN	60951
DRC	62191	EDS	62668	F	01170	FVR	60953
DRD	62192	EDU	62662	FAG	62634	FZ	04190
DRF	62190	EDV	62556	FAN	60650	G	01140
DRH	10632	EDX	62665	FAN	60950	GAS	62590
DRK	60517	EGA	62567	FAS	62510	GCT	10472
DRL	10587	EGB	62568	FCH	62270	GD	04200
DRN	62620	EGS	62551	FCP	62515	GDI	62210
DRP	50386	EGT	62553	FCS	62516	GIN	10450
DRT	10630	ELF	62663	FHD	61735	GIO	10460
DSA	10452	ELM	62652	FIK	60513	GLI	62550
DT	04160	EMC	60991	FIV	60815	GLK	62530
DTH	60859	EMI	61250	FIX	60340	GRS	10440
DU	06470	EMM	60989	FIX	60640	GS	06360
DY	04165	EPA	62565	FIX	60940	GSA	62215
E	01160	EPB	62564	FKL	60653	GSL	62216
EAA	12020	EPE	61015	FKN	60651	GSR	62761
EAP	62519	EPL	61010	FKR	60652	GSU	62220
EBE	61085	EPS	61080	FLA	10850	GT	06295
ECB	61020	ER	06215	FLP	10880	GTA	10430
ECC	61025	ERB	61442	FLS	10870	GTL	10462
ECD	61026	ERC	61448	FLW	10900	GTO	10470
ECE	61027	ERD	61445	FMB	62511	GW	06380
ECF	61021	ERF	62653	FMI	62780	H	08010
ECK	60568	ERI	61870	FO	06177	HAP	62525
ECL	62552	ERM	62654	FOT	07020	HCL	62770
ECM	61022	ERO	61875	FQ	04375	HCU	62760
ECN	60317	ERP	61444	FR	06110	HDL	60851
ECP	62561	ERS	61447	FSA	11630	HDP	60857
ECQ	61028	ETM	50465	FT	06230	HDR	60852

CEDEX code	Numerical code	CEDEX code	Numerical code	CEDEX code	Numerical code	CEDEX code	Numerical code
HEP	11650	JBF	60313	LHH	10565	MF	04290
HEX	62150	JBR	60314	LIB	61741	MFS	40100
HGA	10480	JPA	61370	LID	61395	MHC	40072
HGB	10490	JPB	61375	LIL	61742	MHT	40070
HGP	10500	JPC	61380	LIS	61745	MIN	60330
HHS	60862	JPD	61385	LIT	61740	MIS	40020
HMT	61490	JPE	61390	LK	04250	MKE	60567
HN	06115	KDF	62537	LLD	40320	MKF	60563
HO	04230	KDR	62538	LO	04260	MKS	60561
HRS	07100	KDW	62539	LPP	11545	ML	04280
HUC	62930	KGS	07070	LTR	07090	MLO	62751
HUM	62940	KLX	60858	M	01130	MMI	40030
HUS	62915	KMC	60566	MAD	40302	MMT	07030
HVC	60856	KMC	60693	MAO	60984	MN	04595
HWD	11905	KMI	60730	MAS	60250	MOC	40040
HWH	11915	KVC	62177	MAS	60560	MOL	40300
HWR	11900	KWC	62251	MAS	60860	MPC	40230
HWR	62580	KWG	62253	MAT	60985	MPD	40090
HXC	60740	KWT	62250	MAX	60015	MPI	63010
I	08080	KWX	62254	MC	06015	MPL	40260
IC	04167	LBA	10510	MCA	40080	MPM	40250
IDC	50720	LBB	10520	MCC	40010	MPO	40240
IE	04472	LBC	10530	MCE	40210	MPR	62753
II	05430	LBG	10540	MCH	40082	MPS	40200
IN	04245	LBH	10550	MCN	62752	MQA	62754
IN	06125	LBL	10560	MCO	12000	MR	06107
INH	07010	LBN	10575	MCS	40220	MRC	61755
INP	62560	LBR	10570	MCU	40310	MRK	62750
IP	06100	LBS	07060	MCW	40084	MRM	61753
IR	04240	LC	06130	MD	06135	MRP	61760
IS	05420	LF	04270	MDH	62745	MRR	61751
ISL	62000	LF	06112	ME	04590	MRU	40290
IT	06120	LGC	62174	MEB	62755	MS	04320

CEDEX code	Numerical code	CEDEX code	Numerical code	CEDEX code	Numerical code	CEDEX code	Numerical code
MSD	40110	OU	04400	POL	60320	QMI	60230
MSN	40050	OX	06155	POL	60630	QPG	62540
MST	40060	OXS	62890	POL	60930	QPS	62541
MSW	62756	P	01120	POM	50120	QSS	60033
MTR	07050	PA	06150	POT	61722	QTY	07120
MTS	07110	PAA	50389	PPO	60190	RA	04335
MTT	40280	PAF	50460	PRG	62145	RAA	12030
MU	05000	PBT	50470	PRH	62203	RB	06200
MUI	40115	PDK	50495	PRI	62146	RC	04362
MV	06297	PDL	62702	PRL	62205	RX	06220
MVE	60691	PDR	62703	PRO	62144	RCB	61437
MVF	60990	PE	05410	PRS	61070	RCC	62735
MVS	60865	PEP	50450	PRV	11913	RCF	12005
NA	06001	PF	04520	PRX	11914	RCG	11538
NI	04340	PG	05370	PS	06400	RCH	61435
NO	04360	PG	06172	PSL	50545	RCI	11555
NT	04350	PH	04440	PSS	61035	RCK	11520
NV	04365	PHC	50110	PSX	50547	RCL	61425
O	08050	PI	06108	PT	06170	RCM	50135
OC	04417	PIC	50480	PTA	60090	RCP	62731
OCH	60220	PIM	50490	PTB	60110	RCR	61426
OCM	60224	PIS	50500	PTR	60100	RCS	62732
OCP	60225	PJC	50510	PU	05400	RCU	61590
OD	04410	PJP	50520	PU	06475	RD	06260
OE	04615	PK	PK	PUM	60130	RDE	61530
OF	06510	PKK	61427	PUQ	60120	RDP	11530
ONS	62850	PLM	50130	PV	06270	RE	06315
ONV	62860	PM	04368	PVA	60245	REC	61420
OO	04025	PM	05380	PW	06003	REF	61155
OP	06140	PMI	62280	PX	06175	REL	61631
OR	04370	PNS	61432	QAS	60020	RFA	62273
ORL	10426	PNT	07080	QBS	62570	RFC	61580
OS	04390	POC	50530	QDA	60350	RFN	62272

CEDEX code	Numerical code	CEDEX code	Numerical code	CEDEX code	Numerical code	CEDEX code	Numerical code
RFS	62275	RQQ	61600	SEA	11855	SQM	07052
RFT	62271	RR	06290	SER	61520	SQT	07032
RG	06240	RRM	50133	SES	61523	SRA	61470
RH	6205	RRV	60240	SF	06345	SRE	61460
RHR	61560	RS	06370	SFT	60030	SRS	50137
RI	06127	RSA	62274	SG	05150	SRT	62920
RIR	61570	RSC	63020	SGI	62180	SRW	62910
RIS	11505	RSS	62124	SGL	62255	SS	05140
RIW	11550	RT	06310	SGO	60200	SSA	61480
RKC	62736	RTL	11585	SGS	60210	SSF	60036
RKH	61182	RTM	61550	SH	04470	SSP	61850
RKL	61183	RU	05440	SHL	61135	SSU	60360
RKY	62730	RUB	11553	SHR	61880	SSY	61500
RLA	11510	RUP	11610	SHU	62932	ST	04555
RLC	50134	RV	04530	SI	06350	ST	05110
RLG	11540	RVH	61175	SK	05120	STA	60260
RLR	50531	RVL	61165	SKC	60745	STA	60570
RM	06280	RW	06320	SLI	61305	STA	60870
RMR	61752	RWP	11546	SM	05130	STL	61441
RNG	11590	RX	06303	SMD	61525	STS	61136
RNG	62512	S	08030	SMN	61030	STY	61440
ROA	61152	SA	04455	SN	06340	SU	05100
ROL	61610	SAA	12010	SNB	60175	SVA	61041
ROM	61068	SAB	61485	SOK	61771	SVB	61042
RON	61069	SAM	62905	SOR	61770	SVC	61043
ROT	60270	SC	06390	SP	06002	SVD	61046
ROT	60580	SCA	62895	SPK	61765	SVE	61044
ROT	60880	SCO	61185	SPR	61465	SVH	61047
RP	06300	SCS	62925	SPS	61795	SVK	61045
RP	04530	SD	06325	SPW	61766	SVS	61040
RPC	61620	SDI	60365	SQC	07042	SWB	61032
RPR	61540	SDT	61526	SQF	07022	SWP	61031
RPU	61417	SE	06330	SQI	07012	SYJ	61510

CEDEX code	Numerical code	CEDEX code	Numerical code	CEDEX code	Numerical code	CEDEX code	Numerical code
T	08060	TMG	60315	VAP	62520	VHR	60982
TB	06005	TMP	60310	VBA	62003	VIB	62260
TBA	61810	TMP	60620	VBK	62004	VJT	11850
TBB	61815	TMP	60920	VBP	62524	VLC	62171
TBC	61820	TMS	60326	VBS	62005	VLL	62170
TBE	60540	TMT	61450	VCC	62006	VLP	62521
TBE	60840	TOU	60530	VCK	60151	VLS	62172
TC	06105	TOU	60830	VCL	60142	VLT	62173
TCI	50505	TP	06101	VCX	60065	VM	06180
TDF	61524	TPI	60550	VDC	60155	VMA	62040
TDI	61710	TPI	60850	VDG	60156	VMB	62050
TFA	50300	TPN	50322	VDH	62557	VMC	62041
TFB	50380	TR	04415	VDI	60150	VMG	60152
TFC	50310	TRB	61058	VDL	62562	VMI	60970
TFD	50320	TRF	61720	VDS	62558	VMS	62060
TFF	50340	TRR	50132	VEC	62132	VPA	62122
TFG	50350	TSB	62290	VEE	62135	VPS	62123
TFH	50345	TSH	60515	VEX	62130	VQA	62010
TFI	50370	TSS	61715	VFA	60986	VQB	62020
TFL	61059	TSW	61790	VFB	60987	VQS	62030
TFM	61060	TTU	62600	VFC	60988	VQX	62015
TFP	50360	TR	06173	VFH	60980	VRP	62522
TFS	50330	TU	06420	VFI	60680	VSA	62070
THE	61796	TUA	11760	VFO	60690	VSB	62080
TID	62517	TUB	11790	VFV	60983	VSC	60143
TIM	61430	TUC	11770	VGA	62100	VSE	62071
TIN	60520	TUP	11780	VGB	62110	VSG	60144
TIN	60820	TXD	62739	VGD	62121	VSL	60141
TLS	62178	TXH	62737	VGH	62526	VSP	62072
TM	06103	TXI	62131	VGI	62527	VSS	62090
TMB	60311	U	08040	VGJ	62528	VST	62073
TMC	60312	UAA	12040	VGS	62120	VSU	60140
TMF	60316	V	08100	VHL	60981	VTH	62147

CEDEX code	Numerical code	CEDEX code	Numerical code	CEDEX code	Numerical code	CEDEX code	Numerical code
VWI	60710	WEM	60692	WT	04560	ZZZ	11890
VWO	60720	WIH	60863	WTK	62950		
VXP	62523	WIR	61240	WVS	61466		
W	08070	WM	04580	WW	06430		
WA	04540	WN	04570	X	01150		
WCC	60715	WN	04570	XW	06450		
WCD	60725	WRA	61855	ZZ	04355		
WD	06440	WSA	61860	ZZ	06138		

Bibliography

- [1] ISO 9735, *Electronic data interchange for administration, commerce and transport (EDIFACT) — Application level syntax rules*
- [2] ISO 9897:1997, *Freight containers — Container equipment data exchange*
- [3] ISO 10374:1991, *Freight containers — Automatic identification*
- [4] ISO/TS 10891:2009, *Freight containers — Radio frequency identification (RFID) — Licence plate tag*
- [5] United Nations Directories for Electronic Data Interchange for Administration, Commerce and Transport (UN/EDIFACT message sets), Joint Transport Group (JM4), CODECO, COARRI and COPARN, release 06B and onwards (expected 2H/2006)