

Freight Wing Parts Catalog 2013



Continuing to Lead the Way.

The AeroFlex skirt has long lead the way in trailer aerodynamics. With it's full coverage angled geometry and user friendly 3 and 4 piece design, the AeroFlex provides the perfect combination of performance and durability to maximize your investment.

Product Information:

- Standard AeroFlex kits fit 48' and 53' dry and reefer trailers.
- Reefer Trailers tend to require spacer blocks. Please see page 8 for details and pricing.
- Black Units are available, please designate BLK after part number (ex: 76-50188-80BLK).
- Custom Colors are available - please request quote. There is a 45 unit minimum.
- Freight Charges are not included in listed prices.

To Place an Order with Freight Wing:

1. Email a PO to sales@freightwing.com.
2. Call (866) 464-9464.
3. Fax a PO to (253) 550-5213.



FREIGHT WING

THE INDUSTRY LEADERS IN AERODYNAMIC SKIRTING PERFORMANCE

History:

In 2003, we formed Freight Wing based on the idea that we could provide practical fleet fuel savings through innovative improvements to semi-trailer aerodynamics. In our early stages, we were awarded a stage one "Inventions and Innovations" grant from the U.S. Department of Energy, helping to commercialize trailer aerodynamic products based on the potential of reducing U.S. oil consumption and emissions. Additional support has come from fleets motivated to reduce fuel consumption, many of which we have been working with since the beginning. This support has given us the ability to continuously improve our product and further develop trailer aerodynamics over the last 10 years. We have been integral in the formation of an industry that helps save millions of gallons of fuel annually for fleets both big and small, but could have not done that without the support of our agency and fleet partners - we very much appreciate the support we have received over the years.

We are also supported by our fantastic group of Freight Wing employees, manufacturing partners, and dealers, who go the extra mile to make sure we have the best product and the best service in the marketplace.

Why Freight Wing?

Choose Freight Wing because our company knows and cares about our fleet customers. We have listened and worked side by side with fleets to perfect our products and offer a level of experience that no one else can match. Freight Wing products represent the most thoroughly evaluated aerodynamic trailer fairings available to the trucking industry. As a pioneer of our industry, we have the proven experience to provide products that are durable and highly effective in savings significant amounts of fuel..

Thank you for your interest in Freight Wing,



*Sean Graham
President, Freight Wing, Inc*

Table of Contents

<i>AeroFlex Series*</i>	4-8
<i>AeroFlex Kit Pricing</i>	5
<i>AeroFlex Complete Kit Pricing</i>	5
<i>AeroFlex Pup Pricing</i>	5
<i>AeroFlex Replacement Panels</i>	6
<i>AeroFlex Replacement Parts</i>	7
<i>AeroFlex Part Kits</i>	7
<i>AeroFlex Fasteners</i>	8
<i>Spacer Block Pricing</i>	8
<i>AeroFlex Maxx</i>	9-13
<i>AeroFlex Maxx Complete Kit Pricing</i>	10
<i>AeroFlex Maxx Replacement Panels</i>	11
<i>AeroFlex Maxx Replacement Parts</i>	12
<i>AeroFlex Maxx Part Kits</i>	12
<i>AeroFlex Maxx Fasteners</i>	13
<i>AeroFlex Classic*</i>	14-17
<i>AeroFlex Classic Replacement Panels</i>	15
<i>AeroFlex Classic Replacement Parts</i>	16
<i>AeroFlex Classic Part Kits</i>	16
<i>AeroFlex Classic Fasteners</i>	17
<i>AeroFlex Gap Fairing</i>	18-19
<i>AeroFlex Gap Fairing Complete Kit Pricing</i>	19
<i>AeroFlex Gap Fairing Replacement Parts</i>	19
<i>AeroFlex Gap Fairing Replacement Panels</i>	19
<i>AeroFlex Gap Fairing Fasteners</i>	19
<i>Freight Wing Storage Box Fairing</i>	20-21
<i>Freight Wing Storage Box Fairing Complete Kit Pricing</i>	21
<i>Freight Wing Storage Box Fairing Replacement Parts</i>	21
<i>Freight Wing Storage Box Fairing Replacement Panels</i>	21
<i>Freight Wing Storage Box Fairing Fasteners</i>	21
<i>*Not sure which AeroFlex model you have?</i>	22

THE **AeroFlex** ADVANCED SERIES

Aerodynamic Skirt Series | Freight Wing



Tried, Tested and Approved.

The AeroFlex skirt has long led the way in trailer aerodynamics. With its full coverage angled geometry and user friendly 3 piece design, the AeroFlex provides the perfect combination of performance and durability to maximize your investment. The AeroFlex is EPA SmartWay/CARB approved. In independent third party SAE/TMC J1321 testing it produced 7.45% fuel savings.

DMP Plastic or the New Composite.

Both panels are an excellent value backed by years of Freight Wing's experience in skirting design. Whether you prefer the bombproof durability of the traditional plastic design or the great looks of our glass reinforced thermoplastic composite, we offer you the best available choices of advanced materials and design.

Continuing to Lead the Way.

Simple and effective, our system provides a component and bracing system optimized and tested over millions of miles. Only Freight Wing can provide the perfect combination of performance and durability to ensure important fuel saving initiatives are a total success.



Identify the current AeroFlex series by looking for a 90 degree channel on top of the panel.

AeroFlex Plastic & Composite Kits

	Part Number	Part Description
AeroFlex DMP Plastic Complete Kit	76-50188-80	Kitted*
		AeroFlex DMP Plastic (Qty 1-19)
		AeroFlex DMP Plastic (Qty 20-99)
		AeroFlex DMP Plastic (Qty 100+)
	76-50188-81	Bulk (5 Unit Minimum)**
		AeroFlex DMP Plastic (Qty 5-19)
		AeroFlex DMP Plastic (Qty 20-99)
		AeroFlex DMP Plastic (Qty 100+)

	Part Number	Part Description
AeroFlex Composite Complete Kit	76-50188-40	Kitted*
		AeroFlex Composite (Qty 1-19)
		AeroFlex Composite (Qty 20-99)
		AeroFlex Composite (Qty 100+)
	76-50188-41	Bulk (5 Unit Minimum)**
		AeroFlex Composite (Qty 5-19)
		AeroFlex Composite (Qty 20-99)
		AeroFlex Composite (Qty 100+)

	Part Number	Part Description
AeroFlex DMP Pup Complete Kit (23' Trailers)	76-50188-30	Kitted*
		AeroFlex DMP Plastic (Qty 1-19)
		AeroFlex DMP Plastic (Qty 20-99)
		AeroFlex DMP Plastic (Qty 100+)
	76-50188-31	Bulk (5 Unit Minimum)**
		AeroFlex DMP Plastic (Qty 5-19)
		AeroFlex DMP Plastic (Qty 20-99)
		AeroFlex DMP Plastic (Qty 100+)

	Part Number	Part Description
AeroFlex Composite Pup Complete Kit (23' Trailers)	76-50188-42	Kitted*
		AeroFlex Composite (Qty 1-19)
		AeroFlex Composite (Qty 20-99)
		AeroFlex Composite (Qty 100+)
	76-50188-43	Bulk (5 Unit Minimum)**
		AeroFlex Composite (Qty 5-19)
		AeroFlex Composite (Qty 20-99)
		AeroFlex Composite (Qty 100+)

*Kitted units are individually boxed and pre-assembled

**Bulk units require 30-60 minutes to pre-assemble

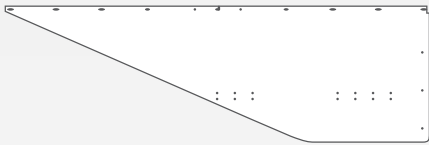
AeroFlex Plastic & Composite Panels

AeroFlex DMP Replacement Panels	Part Number	Part Description
	58-50142-00	AF DMP Plastic Right Rear Panel
	58-50143-00	AF DMP Plastic Left Rear Panel
	58-50144-00	AF DMP Plastic Right Middle Panel
	58-50145-00	AF DMP Plastic Left Middle Panel
	58-50146-00	AF DMP Plastic Right Front Panel
	58-50147-00	AF DMP Plastic Left Front Panel

AeroFlex Composite Replacement Panels	Part Number	Part Description
	58-50142-04	AF Composite Right Rear Panel
	58-50143-04	AF Composite Left Rear Panel
	58-50144-04	AF Composite Right Middle Panel
	58-50145-04	AF Composite Left Middle Panel
	58-50146-04	AF Composite Right Front Panel
	58-50147-04	AF Composite Left Front Panel

AeroFlex Plastic Panels

58-50147-00



58-50145-00



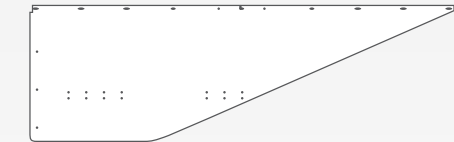
58-50143-00



58-50142-00



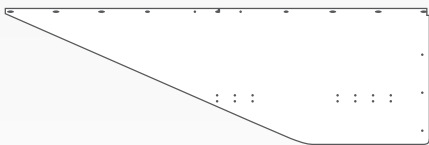
58-50144-00



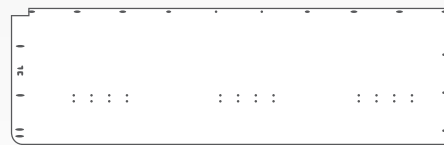
58-50146-00

AeroFlex Composite Panels

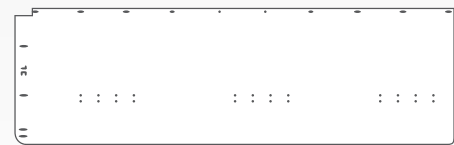
58-50147-04



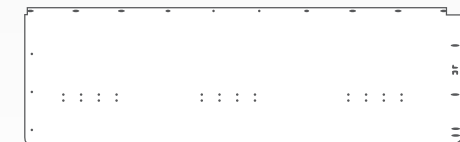
58-50145-04



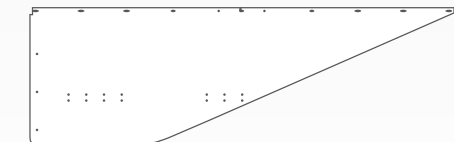
58-50143-04



58-50142-04



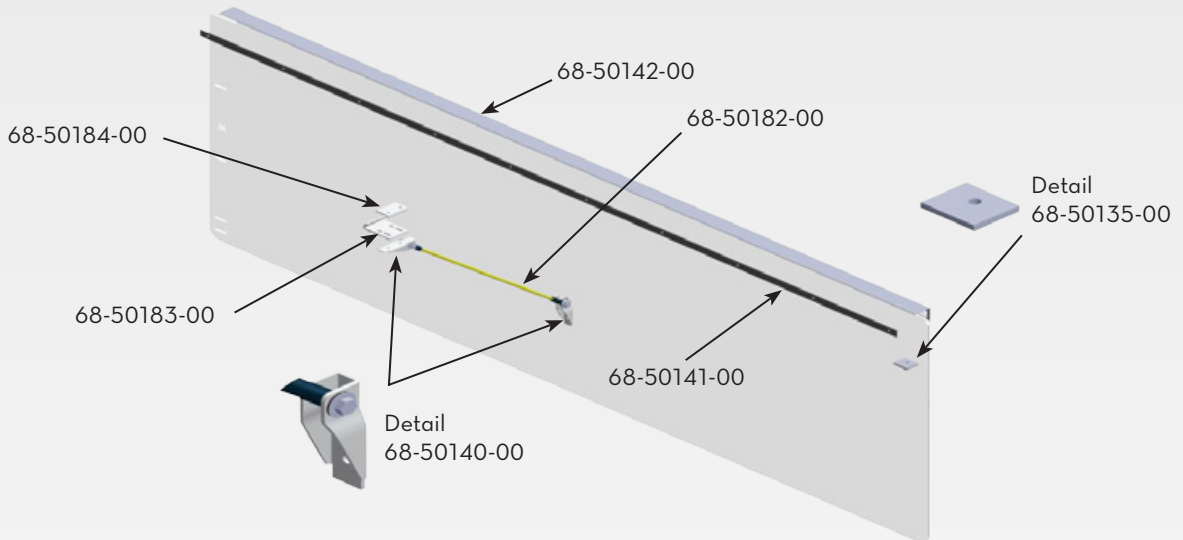
58-50144-04



58-50146-04

AeroFlex Replacement Parts

	Part Number	Part Description
AeroFlex Replacement Parts	68-50142-00	90" L-Channel
	68-50141-00	90" Aluminum Backing Strip
	68-50140-00	Saddle Mount 5/16"
	68-50182-00	Support Rod 5/16"
	68-50183-00	Saddle Clamp Bottom Plate
	68-50184-00	Saddle Clamp Top Plate
	68-50135-00	Aluminum Square Washer



AeroFlex Replacement Part Kits

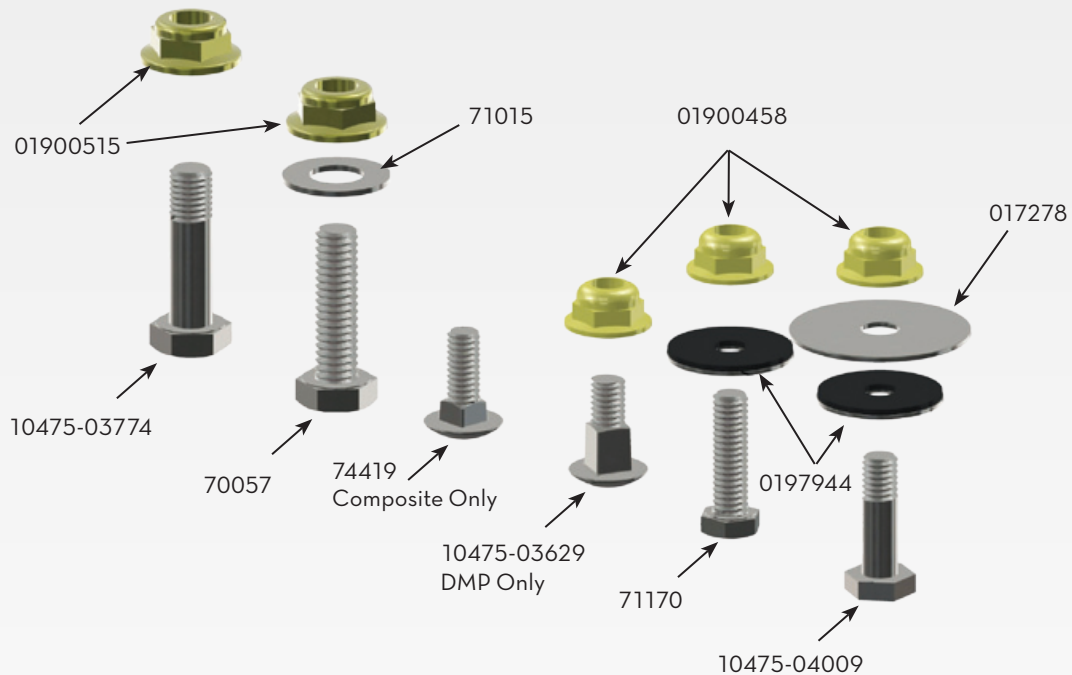
	Part Number	Part Description
AeroFlex Part Kits	76-50184-11	Fastener Set for DMP Plastic Bulk Units
	76-50184-02	Fastener Set for DMP Plastic Kitted Units
	76-50144-11	Fastener Set for Composite Bulk Units
	76-50144-02	Fastener Set for Composite Kitted Units
	68-50186-00	Complete Rod Assembly*
	68-50137-81	AF DMP Plastic Complete RR Panel Assembly**
	68-50137-82	AF DMP Plastic Complete LR Panel Assembly**
	68-50137-83	AF DMP Plastic Complete RM Panel Assembly**
	68-50137-84	AF DMP Plastic Complete LM Panel Assembly**
	68-50138-81	AF DMP Plastic Complete RF Panel Assembly**
	68-50138-82	AF DMP Plastic Complete LF Panel Assembly**
	68-50137-41	AF Composite Complete RR Panel Assembly**
	68-50137-42	AF Composite Complete LR Panel Assembly**
	68-50137-43	AF Composite Complete RM Panel Assembly**
	68-50137-44	AF Composite Complete LM Panel Assembly**
	68-50138-41	AF Composite Complete RF Panel Assembly**
	68-50138-42	AF Composite Complete LF Panel Assembly**

* Complete Rod Assembly comes with rod, 2 saddle mounts, top and bottom plates and fasteners

** Complete Panel Assembly comes with panel, L-channel, backing strip and fasteners

AeroFlex Fasteners

	Part Number	Part Description
Fasteners	10475-03629	1/4-20 x .875 Shouldered CB (DMP Only)
	74419	1/4 - 20 x 1.25 S/S Carriage Bolt (Composite Only)
	71170	1/4 - 20 x 1.25 S/S Tap Bolt
	10475-04009	1/4 - 20 x 1 S/S Custom Overlap Hex Bolt
	0197944	1/4 S/S Bonded Washer
	0172787	1/4 x 1.5 OD S/S Fender Washer
	01900458	1/4 - 20 YZ Nylock Flanged
	70057	5/16 - 18 x 1.25 S/S HCS
	10475-03774	5/16 - 18 x 1.6 Custom Hex Bolt
	71015	5/16 x .75 OD S/S Flat Washer
	01900515	5/16 - 18 YZ Nylock Flanged



AeroFlex Spacer Blocks

	Part Number	Part Description
Spacer Blocks	76-50200-00	Plastic Spacer Block 1" with 2 SS Bolts (May beneeded for Great Dane or Wabash reefer trailers)
	76-50200-01	Plastic Spacer Block 1.5" with 2.5" SS Bolts (May be needed for Utility reefer trailers)

THE **AeroFlex** MAXX

Full Length Aerodynamic Skirt | Freight Wing



Designed to Fit Your Trailer

The AeroFlex Maxx is Freight Wing's new full coverage side skirt. Like the EPA SmartWay-verified AeroFlex, the AeroFlex Maxx uses a similar geometry that is expanded to increase aerodynamic performance.

The Maxx can produce up to 20% more fuel savings than the AeroFlex, which was tested to save 7.45% fuel savings in SAE/TMC J1321 testing by an independent third party. Building on four years of on-road experience with millions of miles of proven reliability, the AeroFlex Maxx sets a new standard for skirting performance, durability, and lifespan.

Tried, Tested and Approved

- Save over 600 gallons of fuel every 50,000 miles of trailer operation
- Increased coverage reduces drag and increases fuel savings up to 9%
- Custom front panel allows for ease of installation

Improved Design

The AeroFlex Maxx has been designed to increase the coverage of your side skirt in order to increase fuel savings! The AeroFlex Maxx is designed to maximize your return on investment for the long haul.

AeroFlex Maxx Plastic & Composite Kits

	Part Number	Part Description
AeroFlex Maxx DMP Plastic Complete Kit	76-50188-90	Kitted*
		AeroFlex Maxx DMP (Qty 1-10)
		AeroFlex Maxx DMP (Qty 11-49)
	76-50188-91	AeroFlex Maxx DMP (Qty 50+)
		Bulk (5 Unit Minimum)**
		AeroFlex Maxx DMP (Qty 5-19)
		AeroFlex Maxx DMP (Qty 20-99)
	AeroFlex Maxx DMP (Qty 100+)	

	Part Number	Part Description
AeroFlex Maxx Composite Complete Kit	76-50188-45	Kitted*
		AeroFlex Maxx Composite (Qty 1-10)
		AeroFlex Maxx Composite (Qty 11-49)
	76-50188-46	AeroFlex Maxx Composite (Qty 50+)
		Bulk (5 Unit Minimum)*
		AeroFlex Maxx Composite (Qty 5-10)
		AeroFlex Maxx Composite (Qty 11-99)
	AeroFlex Maxx Composite (Qty 50+)	

*Kitted units are individually boxed and pre-assembled

**Bulk units require 30-60 minutes to pre-assemble

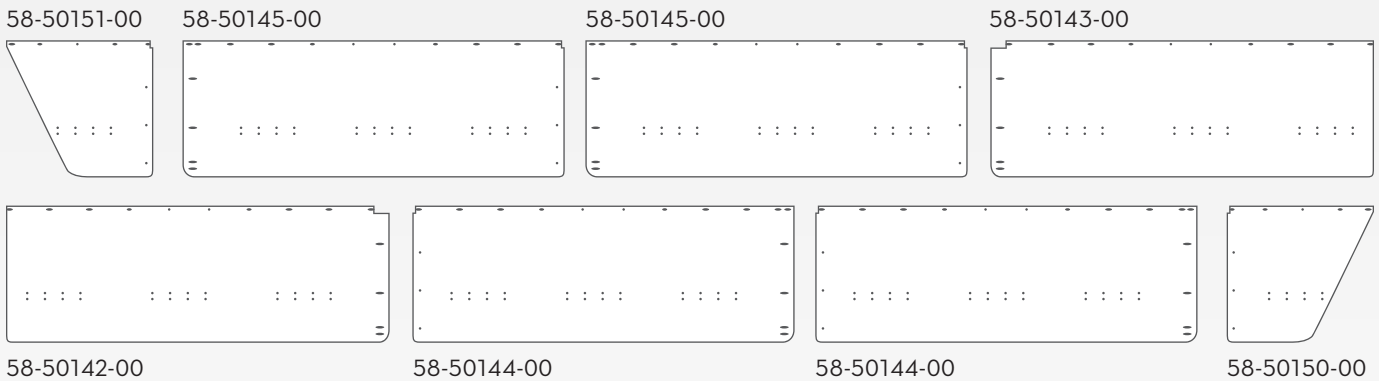


AeroFlex Maxx Plastic & Composite Panels

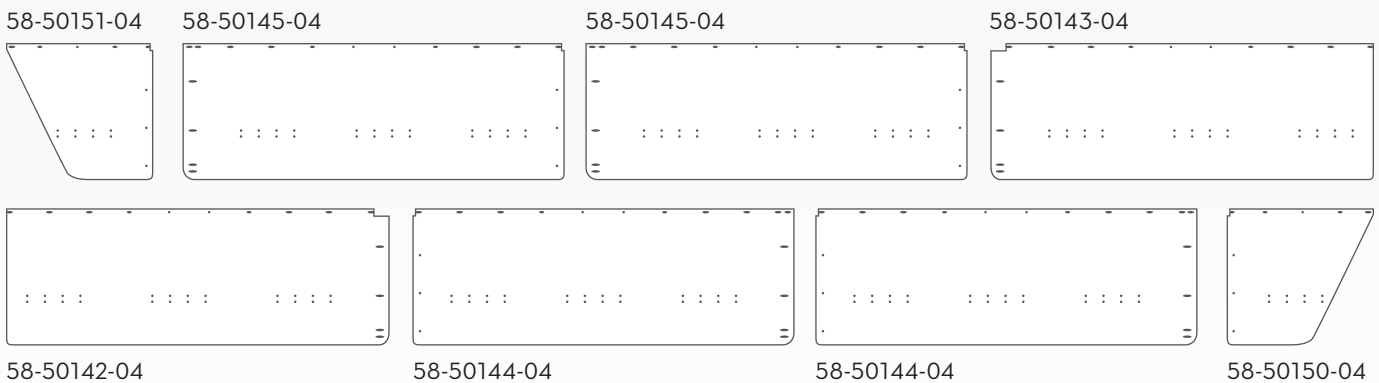
	Part Number	Part Description
AeroFlex Maxx Plastic Replacement Panels	58-50142-00	AF DMP Right Rear Panel
	58-50143-00	AF DMP Left Rear Panel
	58-50144-00	AF DMP Right Middle Panel
	58-50145-00	AF DMP Left Rear Panel
	58-50150-00	AF Maxx DMP Right Front Panel
	58-50151-00	AF Maxx DMP Left Front Panel

	Part Number	Part Description
AeroFlex Maxx Composite Replacement Panels	68-50142-04	AF Composite Right Rear Panel
	68-50143-04	AF Composite Left Rear Panel
	58-50144-04	AF Composite Right Middle Panel
	58-50145-04	AF Composite Left Rear Panel
	58-50150-04	AF Maxx Composite Right Front Panel
	58-50151-04	AF Maxx Composite Left Front Panel

AeroFlex Maxx Plastic Panels

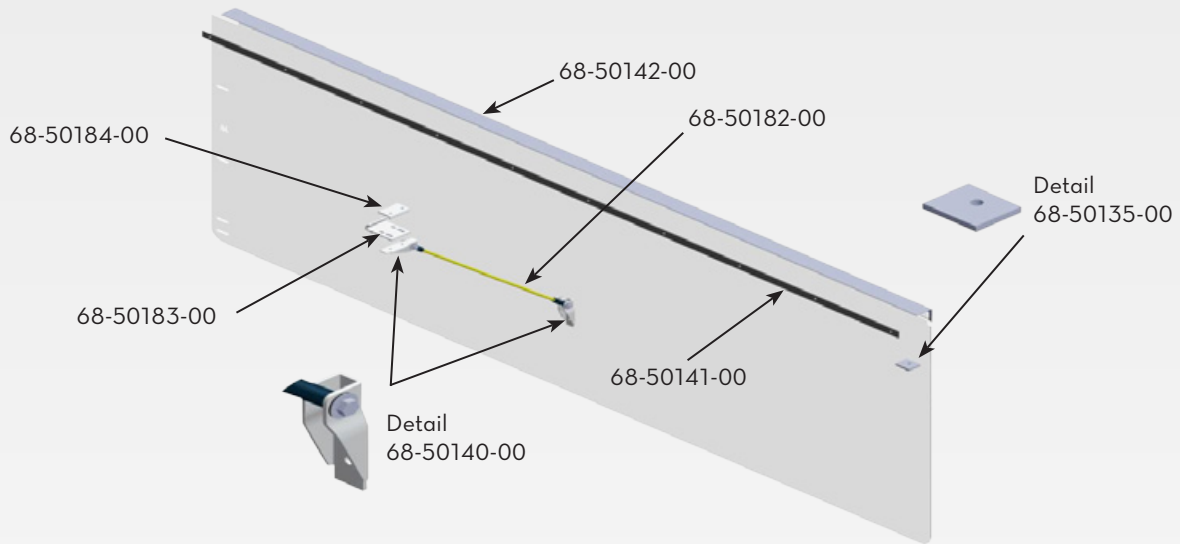


AeroFlex Maxx Composite Plastic Panels



AeroFlex Maxx Replacement Parts

	Part Number	Part Description
AeroFlex Maxx Replacement Parts	68-50142-00	90" L-Channel
	68-50144-00	36" L-Channel
	68-50141-00	90" Aluminum Backing Strip
	68-50143-00	36" Aluminum Backing Strip
	68-50140-00	Saddle Mount 5/16"
	68-50182-00	Support Rod 5/16"
	68-50183-00	Saddle Clamp Bottom Plate
	68-50184-00	Saddle Clamp Top Plate
	68-50135-00	Aluminum Square Washer
	68-50145-00	Crank Handle Holder



AeroFlex Maxx Replacement Part Kits

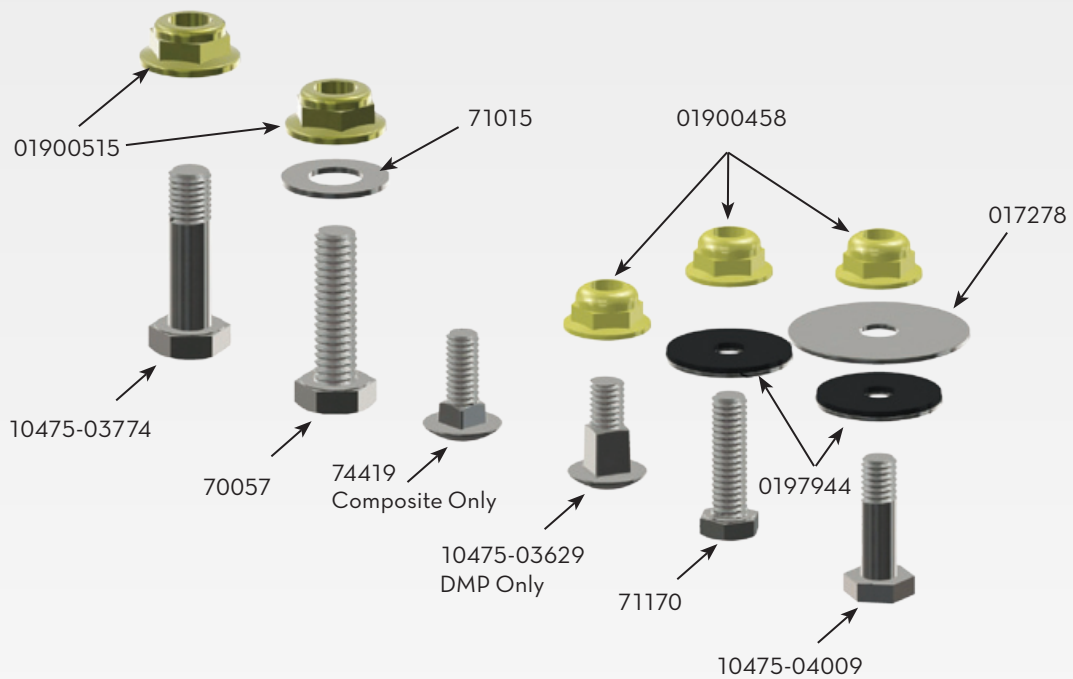
	Part Number	Part Description
AeroFlex Maxx Part Kits	76-50194-11	Fastener Set for DMP Plastic Bulk Units
	76-50194-02	Fastener Set for DMP Plastic Kitted Units
	76-50195-11	Fastener Set for Composite Bulk Units
	76-50195-02	Fastener Set for Composite Kitted Units
	68-50186-00	Complete Rod Assembly*
	68-50137-81	AF DMP Plastic Complete RR Panel Assembly**
	68-50137-82	AF DMP Plastic Complete LR Panel Assembly**
	68-50137-83	AF DMP Plastic Complete RM Panel Assembly**
	68-50137-84	AF DMP Plastic Complete LM Panel Assembly**
	68-50138-91	AF DMP Plastic Complete RF Panel Assembly**
	68-50138-92	AF DMP Plastic Complete LF Panel Assembly**
	68-50137-41	AF Composite Complete RR Panel Assembly**
	68-50137-42	AF Composite Complete LR Panel Assembly**
	68-50137-43	AF Composite Complete RM Panel Assembly**
	68-50137-44	AF Composite Complete LM Panel Assembly**
	68-50138-44	AF Maxx Composite Complete RF Panel Assembly**
68-50138-43	AF Maxx Composite Complete LF Panel Assembly**	

* Complete Rod Assembly comes with rod, 2 saddle mounts, top and bottom plates and fasteners

** Complete Panel Assembly comes with panel, L-channel, backing strip and fasteners

AeroFlex Maxx Fasteners

	Part Number	Part Description
Fasteners	10475-03629	1/4 x .875 Shouldered CB (DMP Only)
	74419	1/4 - 20 x 1.25 S/S Carriage Bolt (Composite Only)
	71170	1/4 - 20 x 1.25 S/S Tap Bolt
	10475-04009	1/4 - 20 x 1 S/S Custom Overlap Hex Bolt
	0197944	1/4 S/S Bonded Washer
	0172787	1/4 x 1.5 OD S/S Fender Washer
	01900458	1/4 - 20 YZ Nylock Flanged
	70057	5/16 - 18 x 1.25 S/S HCS
	10475-03774	5/16 - 18 x 1.6 Custom Hex Bolt
	71015	5/16 x .75 OD S/S Flat Washer
	01900515	5/16 - 18 YZ Nylock Flanged



THE **AeroFlex** CLASSIC
The Original Aerodynamic Skirt | Freight Wing



Identify the AeroFlex Classic by looking for the top hinged connection.

The Original Breakthrough Design.

The AeroFlex Classic, the original AeroFlex trailer skirt, has been upgraded and is no longer for sale as a complete unit. The original automotive grade TPO polymer panels have been upgraded to a proprietary Dense Matrix Polyethylene material that is lighter, more flexible and more resilient. The components have also been upgraded to provide lighter weight, better durability and easier handling and installation. Please see page 4 for the new AeroFlex options and pricing.

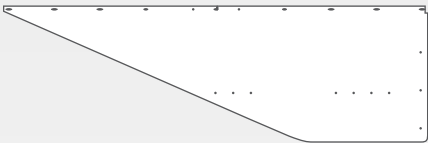
Continuing Classic Support.

Though we no longer sell the AeroFlex Classic as a complete kit, we do still fully support this product. For needed replacement parts, please see below and always feel free to contact the Freight Wing team with any questions.

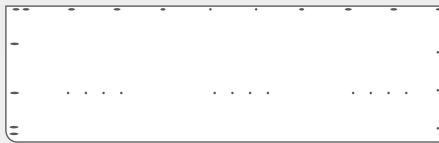
AeroFlex Classic Panels

	Part Number	Part Description
AeroFlex Classic Replacement Panels	58-50132-00	AF Classic Right Rear Panel
	58-50133-00	AF Classic Left Rear Panel
	58-50134-00	AF Classic Right Middle Panel
	58-50135-00	AF Classic Left Middle Panel
	58-50136-00	AF Classic Right Front Panel
	58-50137-00	AF Classic Left Front Panel

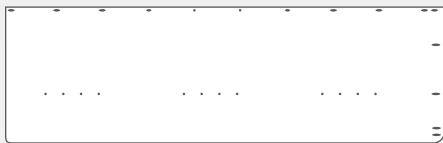
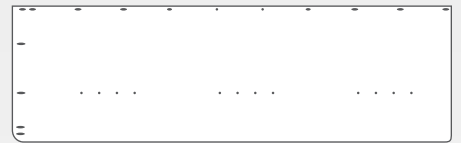
58-50137-00



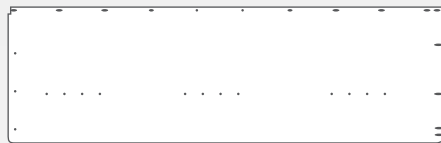
58-50135-00



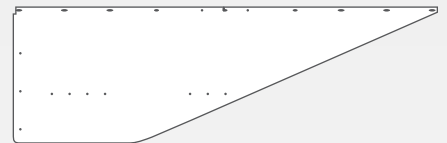
58-50133-00



58-50132-00



58-50134-00

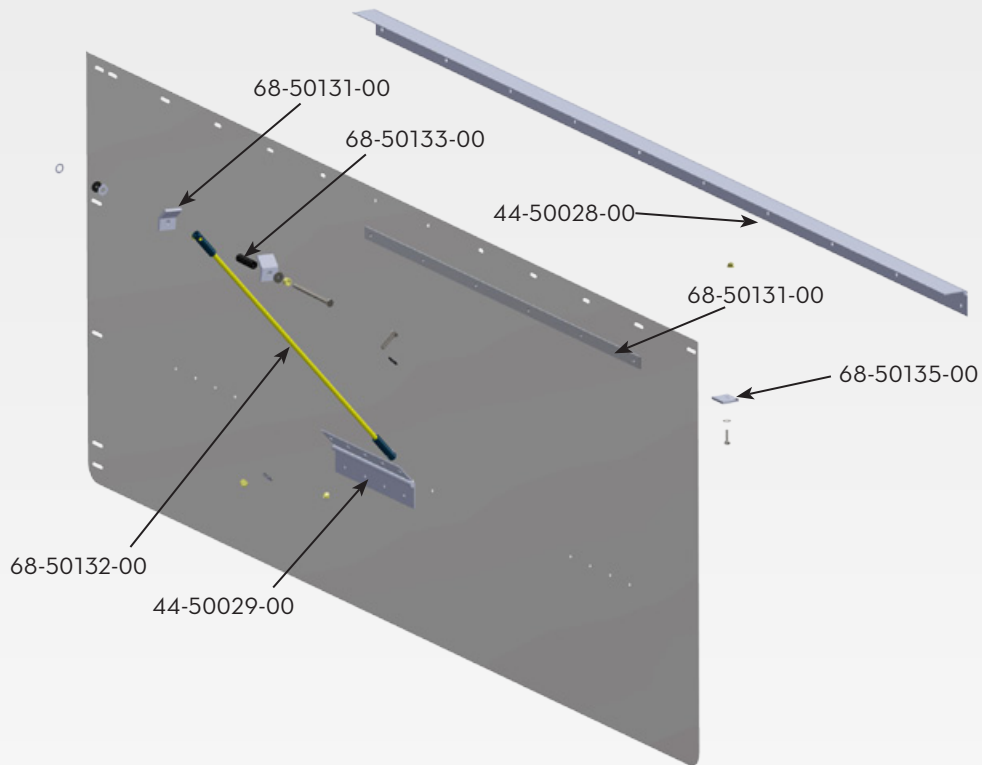


58-50136-00



AeroFlex Classic Replacement Parts

	Part Number	Part Description
AeroFlex Classic Replacement Parts	44-50028-00	90" Hinge
	44-50029-00	12" Hinge
	68-50134-00	42" Aluminum Backing Strip
	68-50132-00	Support Rod 3/8"
	68-50133-00	Steel Sleeve
	68-50135-00	Aluminum Square Washer
	68-50131-00	Aluminum Clamp Tab



AeroFlex Classic Replacement Part Kits

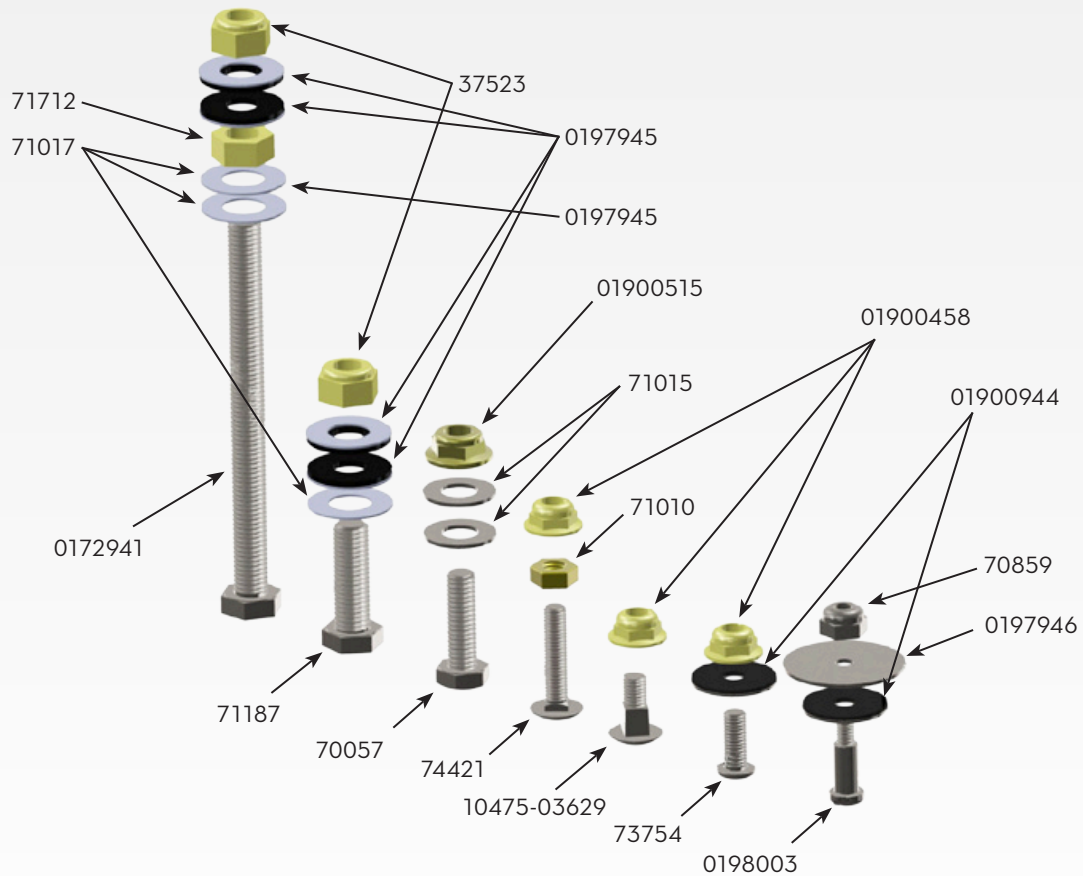
	Part Number	Part Description
AeroFlex Classic Replacement Part Kits	76-50174-11	Fastener Set for Bulk Units
	76-50174-02	Fastener Set for Kitted Units
	68-50136-00	Complete Rod Assembly*
	68-50137-01	AF Classic Complete RR Panel Assembly**
	68-50137-02	AF Classic Complete LR Panel Assembly**
	68-50137-03	AF Classic Complete RM Panel Assembly**
	68-50137-04	AF Classic Complete LM Panel Assembly**
	68-50138-01	AF Classic Complete RF Panel Assembly**
	68-50138-02	AF Classic Complete LF Panel Assembly**

* Complete Rod Assembly comes with rod, 2 saddle mounts, top and bottom plates and fasteners

** Complete Panel Assembly comes with panel, L-channel, backing strip and fasteners

AeroFlex Classic Fasteners

	Part Number	Part Description
Fasteners	10475-03629	1/4-20 x .875 Shouldered CB
	74421	1/4-20 x 1.25 S/S Carriage Bolt
	0197944	1/4 S/S Bonded Washer
	73754	1/4-20 x .75 Button Socket Cap Screw
	70710	1/4-20 S/S Hex Nut
	019800458	1/4-20 YZ Nylock Flanged
	0198003	12-24 Custom Shoulder Bolt
	0197946	1/4 Custom SB Washer
	70859	12-24 Nylock Nut
	70057	5/16-18 x 1.25 S/S HCS
	71015	5/16x.75 OD S/S HCS
	01900515	5/16-18 YZ Nylock Flanged
	0172941	3/8-16 x 5 S/S Tap Bolt
	71187	3/8-16 x 1.5 S/S Tap Bolt
	37523	3/8-16 YZ Nylock
	0197945	3/8 S/S Bonded Washer
	70712	3/8-16 S/S Hex Nut
	71017	3/8 x .875 OD S/S Flat Washer



THE **AeroFlex** GAP FAIRING

Gap Fairing | Freight Wing



This New Flexible Plastic Design Redefines the Potential of a Front Trailer Fairing

Now with flexible plastic panels and braces, you do not need to worry about impact damage negating your important fuel economy benefits. This new improved design and lower price will make the Freight Wing Gap Fairing an important addition to any high mileage dry van trailer.

This fairing will save 1-2% for the most efficient aerodynamic and gap specifications used by today's long haul tractors. These savings can double if your trucks lack optimized aerodynamics and/or run a large gap setting.

Lightweight at only 50 lbs. and with an easy install of under 2 man hours, this simple addition to your trailer will provide excellent long term savings!

A Perfect Match Together - 9% Fuel Savings

- The Gap Fairing is the perfect match with the AeroFlex skirting for the ultimate in aerodynamic fuel savings!
- Boost your savings up to 9% when using our front and side fairings together!
- EPA SmartWay Verified in the trailer gap reducer category.

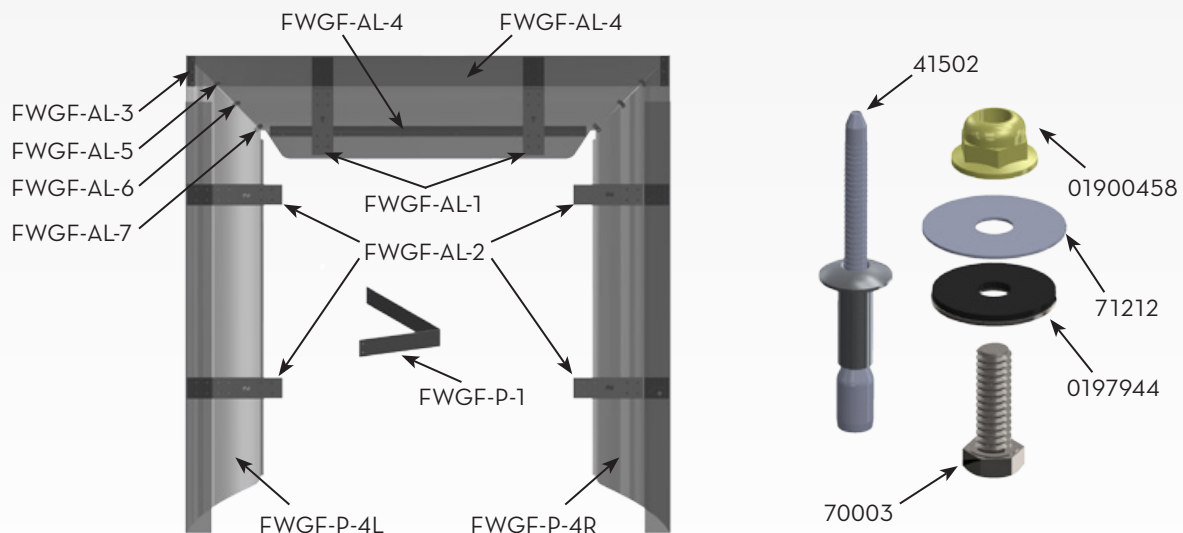
Gap Fairing Kits, Panels, Parts & Fasteners

	Part Number	Part Description
Gap Fairing Kits	76-50172-20	Gap Fairing Kit (Qty 1-50)
		Gap Fairing Kit (Qty 51-99)
		Gap Fairing Kit (Qty 100+)

	Part Number	Part Description
Gap Fairing Replacement Panels	FWGF-P-1	Top and Side Triangle Support
	FWGF-P-3	Top Panel
	FWGF-P-4L	Left Side Panel
	FWGF-P-4R	Right Side Panel

	Part Number	Part Description
Gap Fairing Replacement Parts	76-50175-00	Fastener Kit
	FWGF-AL-1	Top Mounting Bracket
	FWGF-AL-2	Side Mounting Bracket
	FWGF-AL-3	Side to Top Connection Bracket
	FWGF-AL-4	Top Panel 'L' Support Brace
	FWGF-AL-5	Corner Tab 150 Degree (L angle)
	FWGF-AL-6	Corner Tab 140 Degree (M angle)
	FWGF-AL-7	Corner Tab 113 Degree (S angle)
	FWGF-AL-8	Mounting Support

	Part Number	Part Description
Fasteners	70003	1/4-20 x .75 S/S Hex Cap Screw
	01900458	1/4-20 YZ Nylock Flange
	0197944	1/4 S/S Bonded Washer
	41502	1/4 Structural Rivet
	71212	1/4 x 1 OD S/S Fender Washer



The Freight Wing Storage Box Fairing



Tried, Tested and Approved

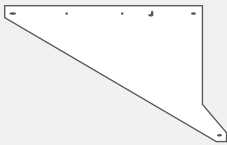
- The **ONLY** CARB approved fairing for this trailer type
- 5%+ fuel savings
- 80 pounds installed
- Durable and flexible
- Easy installation in 1 to 2 man hours
- Developed in cooperation with a major custom trailer manufacturer
- Fairing is available in white or black as standard colors
- Plastic can be painted or have graphics applied to it

Storage Box Kits, Panels, Parts & Fasteners

	Part Number	Part Description
Storage Box Fairing Kits	76-50188-35	Storage Box Fairing Kit (Qty 1-50)
		Storage Box Fairing Kit (Qty 51-99)
		Storage Box Fairing Kit (Qty 100+)

	Part Number	Part Description
Storage Box Fairing Replacement Panels	FWAFB-P-1	AF Box Front Top Triangle Right
	FWAFB-P-2	AF Box Front Bottom Triangle Right
	FWAFB-P-3	AF Box Main Panel Right
	FWAFB-P-4	AF Box Main Panel Left
	FWAFB-P-5	AF Box Front Bottom Triangle Left
	FWAFB-P-6	AF Box Front Top Triangle Left

FWAFB-P-1



FWAFB-P-2



FWAFB-P-3



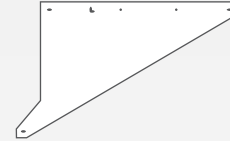
FWAFB-P-4



FWAFB-P-5



FWAFB-P-6



	Part Number	Part Description
Storage Box Fairing Replacement Parts	76-50134-02	Fastener Kit
	68-50142-00	90" L-Channel
	68-50141-00	90" Aluminum Backing Strip
	68-50142-29	29.5" L-Channel
	68-50142-24	24" L-Channel
	68-50141-29	29.5" Aluminum Backing Strip
	68-50141-24	24" Aluminum Backing Strip
	68-50135-00	Aluminum Square Washer

	Part Number	Part Description
Fasteners	10475-04009	1/4-20 x 1 S/S Custom Overlap Hex
	0197944	1/4 S/S Bonded Washer
	0172787	1/4 x 1.5 OD S/S Fender Washer
	01900458	1/4-20 YZ Nylock Flanged
	70057	5/16-18 x 1.25 S/S HCS
	71015	5/16 x .75 OD S/S Flat Washer
	1900515	5/16-18 YZ Nylock Flanged

Not sure which AeroFlex model you have?

AeroFlex Series:

Identify the current AeroFlex series by looking for a 90 degree channel on top of the panel as illustrated below.



See pages 4-8 for product information.

AeroFlex Classic:

Identify the AeroFlex Classic by looking for the top hinged connection as illustrated below.



See pages 14-17 for product information.

Notes

Notes

The Future for Freight Wing

Moving forward, Freight Wing will continue to serve the industry and will expand our product line to maximize the efficiency of all applicable heavy vehicles. We will contribute to the green revolution in trucking that will make American fleets the most efficient and environmentally friendly trucks in the world. Internationally, we will work to expand our reach in other countries that can also benefit from Freight Wing technology. We will also continue to make sure fleets employing efficiency technology receive the maximum credit they deserve, beyond the financial benefits.



THE INDUSTRY LEADERS IN AERODYNAMIC SKIRTING PERFORMANCE

4101 West Marginal Way SW • Suite B4 • Seattle WA • 98106 • USA • www.freightwing.com • 866-464-9464